

"THE MATERIAL HEREIN IS FOR INFORMATION PURPOSES ONLY AND IS SUBJECT TO CHANGE WITHOUT NOTICE. DIGITAL EQUIPMENT CORPORATION ASSUMES NO RESPONSIBILITY FOR ANY ERRORS WHICH MAY APPEAR HEREIN."

FIELD MAINTENANCE PRINT SET

"THIS DRAWING AND SPECIFICATIONS, HEREIN, ARE THE PROPERTY OF DIGITAL EQUIPMENT CORPORATION AND SHALL NOT BE REPRODUCED OR COPIED OR USED IN WHOLE OR IN PART AS THE BASIS FOR THE MANUFACTURE OR SALE OF ITEMS WITHOUT WRITTEN PERMISSION. COPYRIGHT © 1979, DIGITAL EQUIPMENT CORPORATION."

TABLE OF CONTENTS

B-TC-LA38-GA-1	LA38-GA UNIT ASSY(TC)
B-PL-LA38-GA-Ø	LA38-GA UNIT ASSY(PL)
MPØØ695	PRINT SET LA34-DA
MPØØ752	PRINT SET LAX34-KL
MPØØ751	PRINT SET LAX34-AL
MPØØ739	PRINT SET LAX34-PL

UNIT VARIATIONS COVERED BY THIS PRINT SET
LA38-GA
LA38-AA

**LA38-GA/AA
Field Maintenance
Print Set**

**Digital Equipment
Corporation**
PRINT SET ORDER NO.
MPØØ754

REVISIONS	REV.	A	USED ON OPTION/MODEL	DRN. <i>D. Long</i>	DATE 24 MAR 79	TITLE: LA38-GA UNIT ASSY	digital		
	CHG. NO.	PNO01		ASYNC	ASCII			CHK'D <i>D. Long</i>	DATE 27 MAR 79
	DATE	2/81						PROJ. ENG. <i>D. Long</i>	DATE 4/1/79
								FIELD SERV. <i>...</i>	DATE 15 MAR 79
DRB 124		SHEET I OF 1			SIZE B	CODE TC	NUMBER LA38-GA-1	REV. A	
				DIST.					

DIGITAL EQUIPMENT CORPORATION PARTS LIST

MADE BY DATE	B. Hale 23 March 79	CHECKED DATE	<i>J. Gilbert</i> <i>12/4/79</i>	SECTION	1
ENG DATE	<i>J. Gilbert</i> <i>4/3/79</i>	PROD DATE	<i>J. Gilbert</i> <i>12/4/79</i>	ISSUED SECTION	1

QUANTITY / VARIATION

NOTES:

ITEM NO.	DRAWING NO.	PART NO.	DESCRIPTION
----------	-------------	----------	-------------

1	F-UA-LA34-DA-Ø	LA34-DA	LA34 UNIT ASSY
2	B-PL-LAX34-KL-Ø	LAX34-KL	NUMERIC KEYPAD OPTION
3	B-PL-LAX34-AL-Ø	LAX34-AL	TRACTOR OPTION
4	B-PL-LAX34-PL-Ø	LAX34-PL	PAPER OUT OPTION
5	A-PS-1700163-0-1	1700163-01	CABLE, NULL MODEM (RC22A-25)
6	A-MB-7412103-0-0	7412103-00	PRE-PACKAGED PAPER
7		3615514-00	RIBBON CARTRIDGE
8	A-SP-3700392-0-0	3700392-01	PACKAGING INSTRUCTIONS
9	B-PL-7017627-0-0	7017627-GA	USERS KIT LA38-GA

LA38-GA

REF DESIGNATION

E.C.O. NO.
PN034
PNO01

"THIS DRAWING AND SPECIFICATIONS, HEREIN, ARE THE PROPERTY OF DIGITAL EQUIPMENT CORPORATION AND SHALL NOT BE REPRODUCED OR COPIED OR USED IN WHOLE OR IN PART AS THE BASIS FOR THE MANUFACTURE OR SALE OF ITEMS WITHOUT WRITTEN PERMISSION. COPYRIGHT © DIGITAL EQUIPMENT CORPORATION"

TITLE
LA38-GA UNIT ASSY

ASSY NO.
NONE

SIZE CODE NUMBER
B PL LA38-GA-0

REV.
B

SHEET 1 OF 1

INSERTION PARTS LIST DATA BASE REV

"THE MATERIAL HEREIN IS FOR INFORMATION PURPOSES ONLY AND IS SUBJECT TO CHANGE WITHOUT NOTICE. DIGITAL EQUIPMENT CORPORATION ASSUMES NO RESPONSIBILITY FOR ANY ERRORS WHICH MAY APPEAR HEREIN."

FIELD MAINTENANCE PRINT SET

"THIS DRAWING AND SPECIFICATIONS, HEREIN, ARE THE PROPERTY OF DIGITAL EQUIPMENT CORPORATION AND SHALL NOT BE REPRODUCED OR COPIED OR USED IN WHOLE OR IN PART AS THE BASIS FOR THE MANUFACTURE OR SALE OF ITEMS WITHOUT WRITTEN PERMISSION. COPYRIGHT © 1978 DIGITAL EQUIPMENT CORPORATION."

TABLE OF CONTENTS

B-TC-LA34-0-1	LA34 FIELD MAINTENANCE PRINT SET (TC)
B-DD-LA34-0	LA34 UNIT ASSY (DD)
E-UA-LA34-0-0	LA34 UNIT ASSY
B-PL-LA34-0-0	LA34 UNIT ASSY (PL)
D-IC-LA34-0-2	INTERCONN DIAGRAM
B-DD-5413374-0	LA34 LOGIC BOARD
D-UA-5413374-0-0	LA34 LOGIC BOARD
K-PL-5413374-0-0	LA34 LOGIC BOARD (PL)
D-CS-5413374-0-1	LA34 LOGIC BOARD (CS)
B-DD-5413284-0	LA34 KEYBOARD MODULE
D-UA-5413284-0-0	LA34 KEYBOARD MODULE
K-PL-5413284-0-0	LA34 KEYBOARD MODULE (PL)
D-CS-5413284-0-1	LA34 KEYBOARD MODULE (CS)
MP00702	PRINT SET H7834 P. SUPPLY
C-IA-7015741-0-0	CABLE, KEYBOARD ASSY
C-IA-7015386-0-0	EIA CABLE ASSY
D-IA-7015739-0-0	CABLE ASSY, LOGIC/POWER
B-PL-LA34-0	LA34 SHIPPING LIST
B-DD-5413747-0	LA34 CONTROL BOARD
D-UA-5413747-0	LA34 CONTROL BOARD (UA)
K-PL-5413747-0-DBP	LA34 CONTROL BOARD (PL)
D-CS-5413747-0	LA34 CONTROL BOARD (CS)
D-AD-7015514-0-0	LA34 KEYBOARD KEY CAP ASSEMBLY
D-AD-7015730-0-0	LA34 KEYBOARD BEZEL ASSEMBLY

UNIT VARIATIONS COVERED BY THIS PRINT SET

LA34-DA
LA34-PA
LA34-AA
LA34-PB
LA34-JA
LA34-AB

LA 34
Field Maintenance
Print Set

Digital Equipment
Corporation

PRINT SET ORDER NUMBER
MP00695

REVISIONS	DATE	CHG. NO.	REV	BY
	14/FEB	LA34-PN070	A	80 <i>Senior</i>
				J. BITTO
	7/MAY	LA34-PN072	B	80 <i>Senior</i>
	23/MAY/80			J. BITTO
	21/Oct	LA34-PN075	C	80 <i>Bridges</i>
	12/NOV/80			J. BITTO <i>S. Y. Neal</i>

USED ON OPTION/MODEL

DRN.	DATE
DICK PUDELKO	AUG 7 '78
CHK'D <i>D. Hays</i>	DATE 6 FEB 79
PROJ. ENG. <i>J. L. Hays</i>	DATE 4/7/79
FIELD SERV. <i>A. L. Hays</i>	DATE 7/26/79

TITLE:					digital				
LA34 UNIT ASSY.									
SIZE	CODE	NUMBER	REV.						
B	TC	LA34-0-1	C						
DIST.									

SIZE **B** CODE **TC** NUMBER **LA34-0-1** REV. **C**

B-DD-5414387-0

ROM EXPANDER BOARD

D-UA-5414387-0

ROM EXPANDER BOARD

K-PL-5414387-0-DBP

ROM EXPANDER BOARD

D-CS-5414387-0

ROM EXPANDER BOARD

B-PL-7017627-0-0

LA34/LA38 USER KIT ASSY

TITLE	SHEET 2 OF 2	SIZE CODE	NUMBER	REV
LA34 UNIT ASSEMBLY	B	TC	LA34-0-1	C

"THE MATERIAL HEREIN IS FOR INFORMATION PURPOSES ONLY AND IS SUBJECT TO CHANGE WITHOUT NOTICE. DIGITAL EQUIPMENT CORPORATION ASSUMES NO RESPONSIBILITY FOR ANY ERRORS WHICH MAY APPEAR HEREIN."

DRAWING DIRECTORY

"THIS DRAWING AND SPECIFICATIONS, HEREIN, ARE THE PROPERTY OF DIGITAL EQUIPMENT CORPORATION AND SHALL NOT BE REPRODUCED OR COPIED OR USED IN WHOLE OR IN PART AS THE BASIS FOR THE MANUFACTURE OR SALE OF ITEMS WITHOUT WRITTEN PERMISSION. COPYRIGHT © 1978 DIGITAL EQUIPMENT CORPORATION."

UNIT VARIATIONS	
VAR	TITLE
LA34-DA	LA34 UNIT ASSY. (CHARCOAL TRIM)
LA34-PA	LA34 UNIT ASSY. (GREY TRIM, PRIVATE BRANDS)
LA34-JA	KATA-KANA LA34
LA34-AA	LA34- UNIT ASSY. (ENHANCED-CHARCOAL TRIM)
LA34-PB	LA34- UNIT ASSY. (ENHANCED-GRAY TRIM PRIVATE BRANDS)

REVISIONS		REVISIONS
CHK	CHANGE NO.	REV.
AS	LA34-PN011	A
Taylor R. Donegan 7 MAR 78		
A	TAYLOR	
A. Taylor 5/22/78		
LL	LA34-PN025	B
D. L. Linn 27 Jul 79		
J	BITTO	
J. Bitto 27 Jul 79		
LA	LA34-PN045	C
L. A. Linn 27 Jul 79		
D	LA34-PN049	D
D. L. Linn 27 Jul 79		
J	DESUK	
J. Desuk 16 Dec 79		
E	LA34-PN060	E
E. L. Linn 28 Jan 80		
J	DESUK	
J. Desuk 14 Feb 80		
F	LA34-PN067	F
F. L. Linn 14 Feb 80		
H	LA34-PN070	H
H. L. Linn 5 MAR 80		
J	BITTO	
J. Bitto 5 MAR 80		

USED ON OPTION/MODEL

SHEET 1 OF 6

DRN. R. PUDELMKO

CHK'D. R. PuDELko

PROJ. ENG. J. L. Linn

PROD. Linn

DATE 7AUG78

DATE 21 AUG '78

DATE 2/7/79

DATE 2/7/79

TITLE LA34 UNIT ASSY.

SIZE B

CODE DD

NUMBER LA34-Ø

REV K

digital

SEE SHEET 2

"THIS DRAWING AND SPECIFICATIONS, HEREIN, ARE THE PROPERTY OF DIGITAL EQUIPMENT CORPORATION AND SHALL NOT BE REPRODUCED OR COPIED OR USED IN WHOLE OR IN PART AS THE BASIS FOR THE MANUFACTURE OR SALE OF ITEMS WITHOUT WRITTEN PERMISSION. COPYRIGHT © 78 DIGITAL EQUIPMENT CORPORATION"

1
LA34 UNIT ASSY.
E-UA-LA34-0-0
B-PL-LA34-0-0

2
PRINTER MECH/COVER ASSY.
E-AD-7015724-0-0
B-PL-7015724-0-0

21
PACKAGING INSTRUCTIONS
A-SP-3700392-0-0

22
LA34 OPTIONS
LAX34-0-0

3
KEYBOARD BEZEL ASSY.
D-AD-7015730-0-0

7
PRINTER MECH. ASSY.
E-UA-7015729-0-0
B-PL-7015729-0-0

4
KEYBOARD/KEYCAP ASSY.
D-AD-7015514-0-0

8
PLATE SIDE ASSY. (LEFT HAND)
D-AD-7015732-0-0

12
SERVO MOTOR/ENCODER ASSY.
D-AD-7015737-0-0

16
FRICTION ASSY.
D-AD-7015733-0-0

5
SPACER BAR ASSY.
D-AD-7015050-0-0

9
PLATE SIDE ASSY. (RIGHT HAND)
D-AD-7015731-0-0

13
GEAR/PULLEY CLUSTER ASSY.
B-IA-7015744-0-0

17
BAIL BAR ASSY.
C-AD-7015738-0-0

6
KEYBOARD MODULE ASSY.
B-DD-5413284-0

10
POWER SUPPLY H7834
B-DD-H7834-0

14
CARRIAGE ASSY.
D-AD-7015734-0-0

18
PLATEN ASSY.
C-AD-7015727-0-0

11
LA34 PRINT HEAD ASSY
B-DD-7015490-0

15
PULLEY IDLER ASSY.
C-AD-7015735-0-0

19
LA34 LOGIC BOARD
B-DD-5413374-0

25
USERS KIT ASSY
B-PL-7017627-0-0

20
PRINthead ADJ. ASSY.
B-IA-7016303-0-0

23
LA34 CONTROL BOARD
B-DD-5413747-0

24
ROM EXPANDER BOARD
B-DD-5414387-0

J LA34-PN071 SKINNER 17 MAR 80
J.BITTO
LA34-PN072 SKINNER 17 MAR 80
J.BITTO (C.F.A.) 23 MAY 80

FIND NO.	DRAWING NO.	DESCRIPTION	TYPE	FIND NO.	DRAWING NO.	DESCRIPTION	TYPE
1	MP00695	LA34 PRINT SET ORDER NO. (MP)	-		A-SP-7015490-0-1	LA34 PRINT HEAD (REF)	E/M
	B-TC-LA34-0-1	LA34 FIELD MAINTENANCE PRINT SET (TC)	-				
	E-UA-LA34-0-0	LA34 UNIT ASSY	M				
	B-PL-LA34-0-0	LA34 UNIT ASSY (PL)	M				
	D-IC-LA34-0-2	INTERCONNECTION DIAGRAM	E				
	1700083-0-0	CORD, A.C. PWR	E/M	3	D-AD-7015730-0-0	KEYBOARD BEZEL ASSY.	M
	3616153-0-0	LABEL, 230V A.C. 50/60 HZ	M		1215297-0-0	BEZEL, KEYBOARD	M
	B-PL-LA34-0	LA34 SHIPPING LIST	-		1215053-0-0	CLOSURE, OPTION	M
	3611448-0-0	LABEL, WARNING A.C. CORD	M		1215295-0-0	PLUG, KEY SWITCH	M
	3616157-0-0	LABEL, CORRECT VOLTAGE SETTING	M		3615450-0-0	LEGEND STRIP	M
	A-SP-LA34-0-3	BASIC LA34 PRINT QUALITY SPEC	M				
	3612520-0-0	TAG, HANG, CAUTION	M				
	A-SP-LA34-0-4	BASIC LA34 PRODUCT SPECIFICATION	E/M				
	A-SP-LA34-0-12	LA34-JA KATA-KANA PRODUCT SPECIFICATION	-				
				4	D-AD-7015514-0-0	KEYBOARD/KEYCAP ASSY.	E/M
					C-MD-7420120-0-0	CLIP, EQUALIZER	M
					C-IA-7015741-0-0	CABLE, KEYBOARD ASSY.	E/M
					1214333-0-0	CAPS, KEY SET	M
					1214332-0-0	ADAPTER, KEY CAP	M
	A-SP-LA34-0-11	LA34 SPECIFICATIONS & VERIFICATION PROEUDURE	M				
				5	D-AD-7015050-0-0	SPACER BAR ASSY	M
					B-MD-7420119-0-0	BRACKET, SPACER BAR	M
					1211857-0-0	BAR, SPACE	M
					1211858-0-0	BAR, EQUALIZER	M
					1211860-0-0	ADAPTER, SPACE BAR	M
2	E-AD-7015724-0-0	PRINTER MECH./COVER ASSY	E/M				
	B-PL-7015724-0-0	PRINTER MECH./COVER ASSY (PL)	E/M				
	C-IA-7015386-0-0	CABLE ASSY EIA	E/M	6	B-DD-5413284-0	KEYBOARD MODULE ASSY	E/M
	B-IA-7016304-0-0	MAGNET	M				
	1215296-0-0	BASE, HOUSING	M				
	1215292-0-0	INSERT, REAR	M				
	1215451-0-0	PLUG, BUTTON	M				
	3616153-0-0	LABEL, PWR REQUIREMENTS	M				
	1215291-0-0	COVER, HOUSING	M				
	1215651-0-0	PLUG, TRACTOR	M				
	1215293-0-0	GUIDE, PAPER EDGE	M				
	1215299-0-0	BEZEL, TOP	M				
	1215298-0-0	COVER, ACCESS	M				
	3615634-0-0	LABEL, COLUMN INDICATOR	M				
	3616155-0-0	LABEL, RIBBON CARTRIDGE SWITCH	M				
	1215719-0-0	WINDOW, SAFETY	M				
	1215479-0-0	LOGO	M				

TYPE: E ELECTRICAL
M MECHANICAL
E/M ELECTRO/MECHANICAL



TITLE LA34 UNIT ASSY. SHEET 3 OF 6 SIZE CODE B DD NUMBER LA34-0 REV K

FIND NO.	DRAWING NO.	DESCRIPTION	TYPE	FIND NO.	DRAWING NO.	DESCRIPTION	TYPE
7	E-AD-7015729-0-0	PRINTER MECH. ASSY.	E/M	8	D-AD-7015732-0-0	PLATE SIDE ASSY. (LEFT HAND)	M
	B-PL-7015729-0-0	PRINTER MECH. ASSY. (PL)	E/M		B-MD-7421147-0-0	SPACER BAIL BAR	M
	D-MD-7421216-0-0	COVER, MODULE	M		B-MD-7420739-0-0	CLAMP, SHAFT	M
	B-MD-7420864-0-0	BRACKET, SWITCH	M		1215382-0-0	PLATE SIDE L.H.	M
	C-MD-7420741-0-0	RETAINER FLEXURE	M		1215512-0-0	LATCH PLATEN	M
	1215453-0-0	SPACER	M		1215508-0-0	SPRING LATCH EXTENSION	M
	D-MD-7420764-0-0	PLATE, BOTTOM SHIELDING	M		1215557-0-0	SPACER, PLATEN LATCH	M
	D-IA-7015739-0-0	LOGIC/POWER CABLE ASSY.	E/M		1215398-0-0	GROMMET	M
	1215316-0-0	CROSS MEMBER	M		1215672-0-0	BUMPER	M
	1215781-0-0	ACTUATOR, PAPER OUT	M				
	1215319-0-0	SPRING, PULLEY TENSIONING	M	9	D-AD-7015731-0-0	PLATE SIDE ASSY. (RIGHT HAND)	E/M
	1215348-0-0	RIBBON DRIVE CABLE	M		B-MD-7421147-0-0	SPACER BAIL BAR	M
	1215711-0-0	CLIP, COVER SPRING	M		B-IA-7016282-0-0	CABLE ASSY.	E/M
	1215561-0-0	SPRING, TORSION	M		B-MD-7420739-0-0	CLAMP, SHAFT	M
	1215798-0-0	HEAT SHIELD (PRINT HEAD)	M		C-MD-7420738-0-0	CLAMP, CABLE SUPPORT SHAFT	M
	1215782-0-0	SHAFT, PAPER OUT	M		1215394-0-0	PLATE SIDE	M
	1215780-0-0	BEARING SUPPORT	M		1215558-0-0	MOTOR, STEPPER ASSY.	M
	1215556-0-0	CAM	M		1215512-0-0	LATCH PLATEN	M
	1215506-0-0	ROD CAP	M		1215350-0-0	GEAR CLUSTER PAPER DRIVE	M
	1215553-0-0	TORSION, SPRING	M		1215557-0-0	SPACER PLATEN LATCH	M
	1215401-0-0	PAPER, GUIDE	M		1215508-0-0	SPRING LATCH EXTENSION	M
	1215347-0-0	LEVER RELEASE	M		1215398-0-0	GROMMET	M
	1215395-0-0	SUPPORT, CARD, DUAL	M		1215672-0-0	BUMPER	M
	1216335-0-0	SLEEVE RETAINER	M				
	1215893-0-0	CLIP, CABLE "U"	M				
	1215701-0-0	SPRING, EXTENSION	M				
	1215315-0-0	SHAFT, CARRIAGE	M				
	B-IA-7016304-0-0	SWITCH, MAGNETIC, REED	M				
	3613209-0-0	LABEL, ADHESIVE BACKED, ELEC. DATA	M				
	1215452-0-0	SCREW LEVER	M				
	1216031-0-0	SPRING COMPRESSION	M				
	1216034-0-0	SPACER	M				
	1216032-0-0	SPRING, HEAD DETENT	M				
	1216065-0-0	WASHER, SQ. PLASTIC	M				
	D-MD-7423722-0-0	CAP, CLOSURE, MODULE COVER	M	10	B-DD-H7834-0	POWER SUPPLY H7834	E/M
				11	B-DD-7015490-0-0	LA34 PRINT HEAD	E/M

FIND NO.	DRAWING NO.	DESCRIPTION	TYPE	FIND NO.	DRAWING NO.	DESCRIPTION	TYPE	
12	D-AD-7015737-0-0	SERVO MOTOR/ENCODER ASSY	E/M	15	C-AD-7015735-0-0	PULLEY IDLER ASSY.	M	
	D-MD-7420740-0-0	BRACKET MOTOR MOUNTING	M		1215592-0-0	PULLEY IDLER	M	
	C-IA-7015740-0-0	CABLE SERVO MOTOR	E/M		1215357-0-0	SHAFT IDLER PULLEY	M	
	1915671-0-0	OPTICAL ENCODER, DETECTOR	E/M					
	1215633-0-0	MOTOR	E/M					
	1215916-0-0	PULLEY, DRIVE 18 T-080P	M					
	1215589-0-0	DISK, ENCODER	M					
	1215603-0-0	DUST CAP ENCODER	M		16	D-AD-7015733-0-0	FRICITION ASSY.	M
	1215604-0-0	BACKPLATE, ENCODER	M		1215358-0-0	SHAFT FRICTION	M	
	1215397-0-0	STUD COMBINATION PULLEY	M		1215524-0-0	BUSHING	M	
	1215399-0-0	SPACER	M		1215551-0-0	SPRING	M	
	1215937-0-0	BEARING SLEEVE	M		1215349-0-0	ARM ROCKER	M	
	1215915-0-0	BELT 90 T.25 WIDE	M		1215355-0-0	ROCKER	M	
	1215926-0-0	BUSHING BELT TENSIONING	M		1215356-0-0	ROLLER, FRONT PAPER FEED	M	
	3613214-0-0	LABEL, ADHESIVE BACKED	M		1215359-0-0	ROLLER, REAR PAPER FEED	M	
	13	B-IA-7015744-0-0	GEAR/PULLEY CLUSTER ASSY.		M	17	C-AD-7015738-0-0	BAIL BAR ASSY.
1215591-0-0		GEAR/PULLEY CLUSTER	M	1215330-0-0	ROLLER ASSY. (BAIL BAR)		M	
1215523-0-0		BEARING	M	1215331-0-0	ARM, BAIL BAR		M	
			1215332-0-0	BAIL BAR	M			
			1215333-0-0	TEAR EDGE	M			
14	D-AD-7015734-0-0	CARRIAGE ASSY.	M	18	C-AD-7015727-0-0	PLATEN ASSY.	M	
	B-MD-7414845-0-0	BUSHING, PLAIN	M		1215351-0-0	PLATEN KNOB ASSY.	M	
	C-MD-7414835-0-0	SPRING, FRONT BEARING	M		1215288-0-0	GEAR, TRACTOR	M	
	B-MD-7420874-0-0	WICK OIL	M		1215289-0-0	BEARING, PLAIN	M	
	1215194-0-0	FRAME CARRIAGE	M		1215290-0-0	PLATEN SUB ASSEMBLY	M	
	1215317-0-0	BEARING SELF ALIGN	M		1215353-0-0	BEARING, PLASTIC	M	
	1215318-0-0	RETAINER BEARING	M		1215400-0-0	CLUTCH, DISK	M	
	1215522-0-0	BRKT. CABLE SUPPORT	M		1215352-0-0	CLUTCH/GEAR, PAPER DRIVE	M	
	1215455-0-0	SPRING, OIL WICK	M		1215354-0-0	CLUTCH, HUB	M	
	1215346-0-0	PULLEY, RIBBON DRIVE	M		1215552-0-0	SPRING, COMPRESSION	M	
	1215548-0-0	SHAFT RIBBON DRIVE	M		1215562-0-0	WASHER, CLUTCH	M	
	1211651-0-0	CLUTCH BEARING (ONE WAY)	M					
	1215515-0-0	WASHER	M					
	1215454-0-0	SPRING, OIL WICK	M					
	1215362-0-0	BELT, TIMING	M					
	1215751-0-0	BELT CLIP	M					

TYPE: E ELECTRICAL
M MECHANICAL
E/M ELECTRO/MECHANICAL

digital

TITLE

LA34 UNIT ASSY.

SHEET 5 OF 6

SIZE CODE
B DD

NUMBER
LA34-Ø

REV
K

FIND NO.	DRAWING NO.	DESCRIPTION	TYPE	FIND NO.	DRAWING NO.	DESCRIPTION	TYPE
19	B-DD-5413374-0	LA34 LOGIC BOARD	E/M				
20	B-IA-7016303-0-0 1216035-0-0 B-MD-7421769-0-0	PRINT HEAD ADJ. ASSY SLIDE, HD. ADJUSTMENT LEVER, HD. ADJ.	M M M				
21	A-SP-3700392-0-0	INSTRUCTIONS, PACKAGING	M				
22	LAX34-0-0 B-DD-LAX34-AL B-DD-LAX34-CL B-DD-LAX34-KI B-DD-LAX34-LL B-DD-LAX34-ML B-DD-LAX34-PL B-DD-LAX34-RL B-DD-LAX34-SL B-DD-LAX34-SN B-DD-LAX34-XL B-DD-LAX34-UP B-DD-LAX34-PC	OPTIONS LA34 TRACTOR OPTION 20 MA OPTION KEYPAD PAPER LOW OPTION MODEM/DAA OPTION PAPER OUT SWITCH KIT ROLL PAPER HOLDER STAND LA34/LA38 HARDWARE KIT FOR LAX34-SL EXTENDED LOGIC UPGRADE KIT PAPER CATCHER	E/M E/M E/M E/M E/M E/M E/M E/M E/M E/M E/M E/M M				
23	B-DD-5413747-0-0	LA34 CONTROL BOARD	E/M				
24	B-DD-5414387-0-0 D-IA-701370-0-0	ROM EXPANDER BOARD CABLE ASSEMBLY					
25	B-PL-7017627-0-0	USERS KIT ASSY	M				

TYPE: E ELECTRICAL
M MECHANICAL
E/M ELECTRO/MECHANICAL

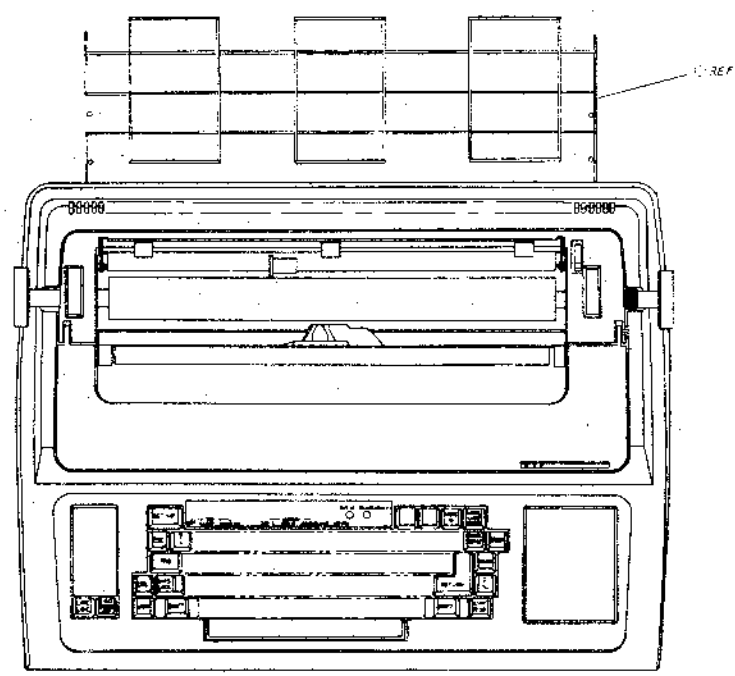
digital

TITLE LA34 UNIT ASSY.
SHEET 6 OF 6
SIZE CODE B DD
NUMBER LA34-0
REV K

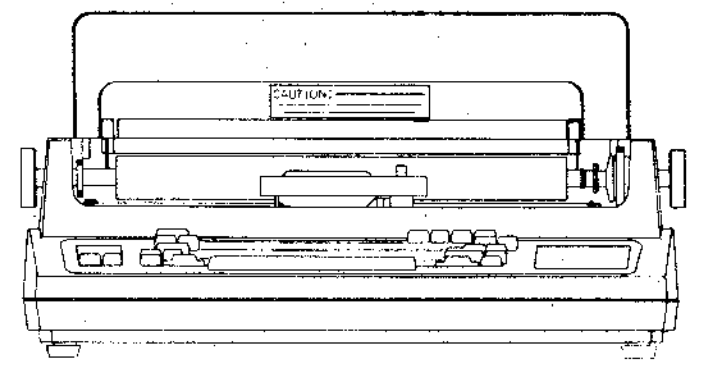
EN-010622C-15-R376-12851

THIS DRAWING IS THE PROPERTY OF THE U.S. GOVERNMENT AND IS TO BE REPRODUCED AND TRANSMITTED IN ANY FORM AND BY ANY MEANS, ELECTRONIC OR MECHANICAL, INCLUDING PHOTOCOPYING, RECORDING, OR BY ANY INFORMATION STORAGE AND RETRIEVAL SYSTEM, WITHOUT PERMISSION IN WRITING FROM THE U.S. GOVERNMENT PRINTING OFFICE: 1975

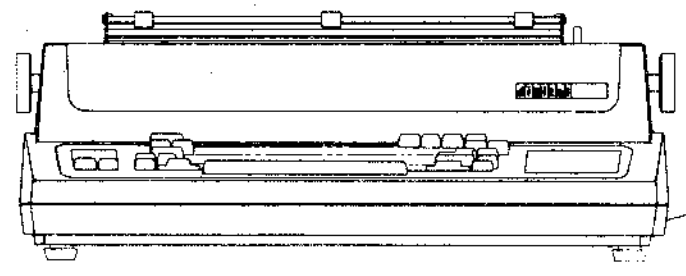
- NOTES:**
1. FOR INTERCONNECTION DIAGRAM REFER TO D-IC-LA34-0-2.
 2. MOVE CARRIAGE TO LEFT HAND STOP, SECURE WITH CABLE TIE ITEM #3, THE PRINTED "A" LINK HANG TIE (ITEM #4) SECURELY TO THE CABLE TIE.
 3. PLACE AC POWER CORD ITEM #2, POWER REQUIREMENT LABEL ITEM #10 AND FUSE PART OF ITEM 1 IN SEPARATE PACKAGE PER PACKING INSTRUCTIONS ITEM 5.
 4. ITEM 12, PAPER CATCHER, IS OPTIONAL.
 5. ITEM 15, FCC CARTON LABEL, IS REFERENCED ON THE PACKAGE INSTRUCTION, P/N 3700392-0-0.



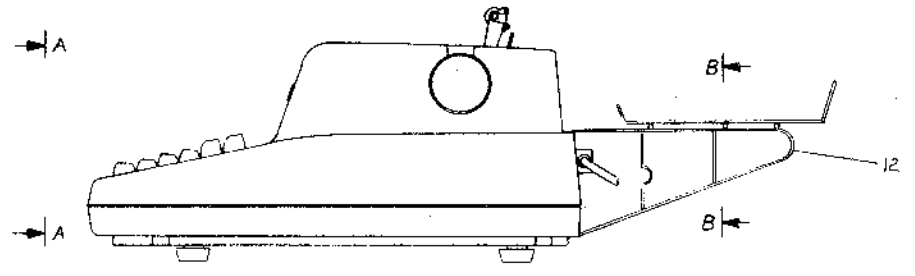
TOP VIEW



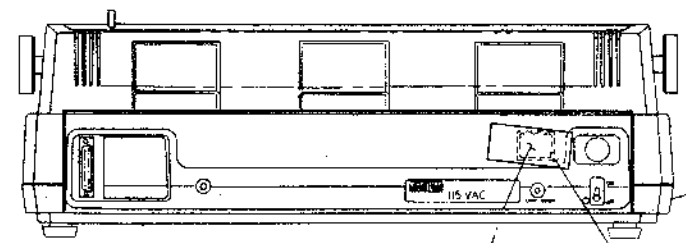
VIEW A-A
VIEW SHOWN WITH ACCESS COVER RAISED



FRONT VIEW



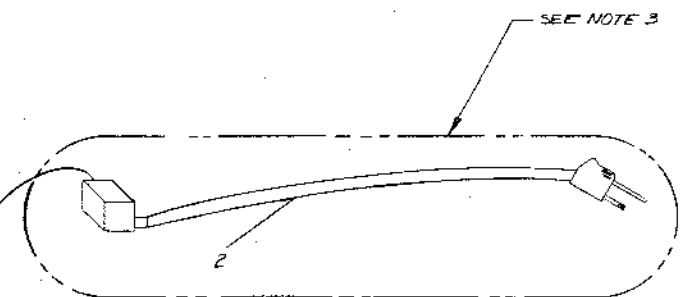
SIDE VIEW



VIEW B-B

11 OR
1 OR
13 OR
6 OR
14

11 REF
OR
1 REF
OR
13 REF
OR
6 REF
OR
14 REF



REV	DESCRIPTION	DATE	BY	CHKD
1	INITIAL PROBE			
2	REVISED			
3	REVISED			
4	REVISED			
5	REVISED			
6	REVISED			
7	REVISED			
8	REVISED			
9	REVISED			
10	REVISED			
11	REVISED			
12	REVISED			
13	REVISED			
14	REVISED			
15	REVISED			
16	REVISED			
17	REVISED			
18	REVISED			
19	REVISED			
20	REVISED			

FOR PARTS LIST SEE K-PL-LA34-0-DBP

REV	DESCRIPTION	DATE	BY	CHKD
1	INITIAL PROBE			
2	REVISED			
3	REVISED			
4	REVISED			
5	REVISED			
6	REVISED			
7	REVISED			
8	REVISED			
9	REVISED			
10	REVISED			
11	REVISED			
12	REVISED			
13	REVISED			
14	REVISED			
15	REVISED			
16	REVISED			
17	REVISED			
18	REVISED			
19	REVISED			
20	REVISED			

QUANTITY	1	UNIT	EA
DESCRIPTION	LA34 UNIT ASSY		
DATE	1/22	BY	...
REV	1	OF	1

LINE	ITEM	DOCUMENT NUMBER	PART NUMBER	DESCRIPTION	QUANTITY PER VARIATION				
					DA	PA	JA	AA	PB
1	1	E-AD-7015724-0-0	7015724-00	PRINTER MECH/COVER ASSY	1	-	-	-	-
2	2	B-PL-7017627-0-0	7017627-DA	USER'S KIT ASSY. (LA34-DA)	1	-	-	-	-
3	3		9007032-00	TIE,CABLE BUNDL,DIA 0-1-3/4"=101	1	1	1	1	1
4	4	B-PL-7017627-0-0	7017627-PA	USER'S KIT ASSY. (LA34-PA)	-	1	-	-	-
5	5	B-PL-7017627-0-0	7017627-JA	USER'S KIT ASSY. (LA34-JA)	-	-	1	-	-
6	6	E-AD-7015724-0-0	7015724-03	PRINTER MECH COVER ASSY LA34	-	-	-	1	-
7	7	B-PL-7017627-0-0	7017627-AA	USER'S KIT ASSY. (LA34-AA)	-	-	-	1	-
8	8	A-SP-3700392-0-0	3700392-00	INSTR PKG PRINTER,LA34 DECWRITER	1	1	1	1	1
9	9	D-IC-LA34-0-2		DIAGRAM, INTERCONNECTION	REF	REF	REF	REF	REF
10	10	B-PL-7017627-0-0	7017627-PB	USER'S KIT ASSY. (LA34-PB)	-	-	-	-	1
11	11	E-AD-7015724-0-0	7015724-01	PRINTER MECH/COVER ASSY (DARK)	-	1	-	-	-
12	12	D-IA-7423841-0-0	7423841-00	PAPER CATCHER	A/R	A/R	A/R	A/R	A/R
13	13	E-AD-7015724-0-0	7015724-02	PRINTER MECH/COVER ASSY, JA	-	-	1	-	-
14	14	E-AD-7015724-0-0	7015724-04	PRINTER MECH COVER ASSY	-	-	-	-	1
15	15		3618331-01	LABEL,FCC CARTON	1	1	-	1	1

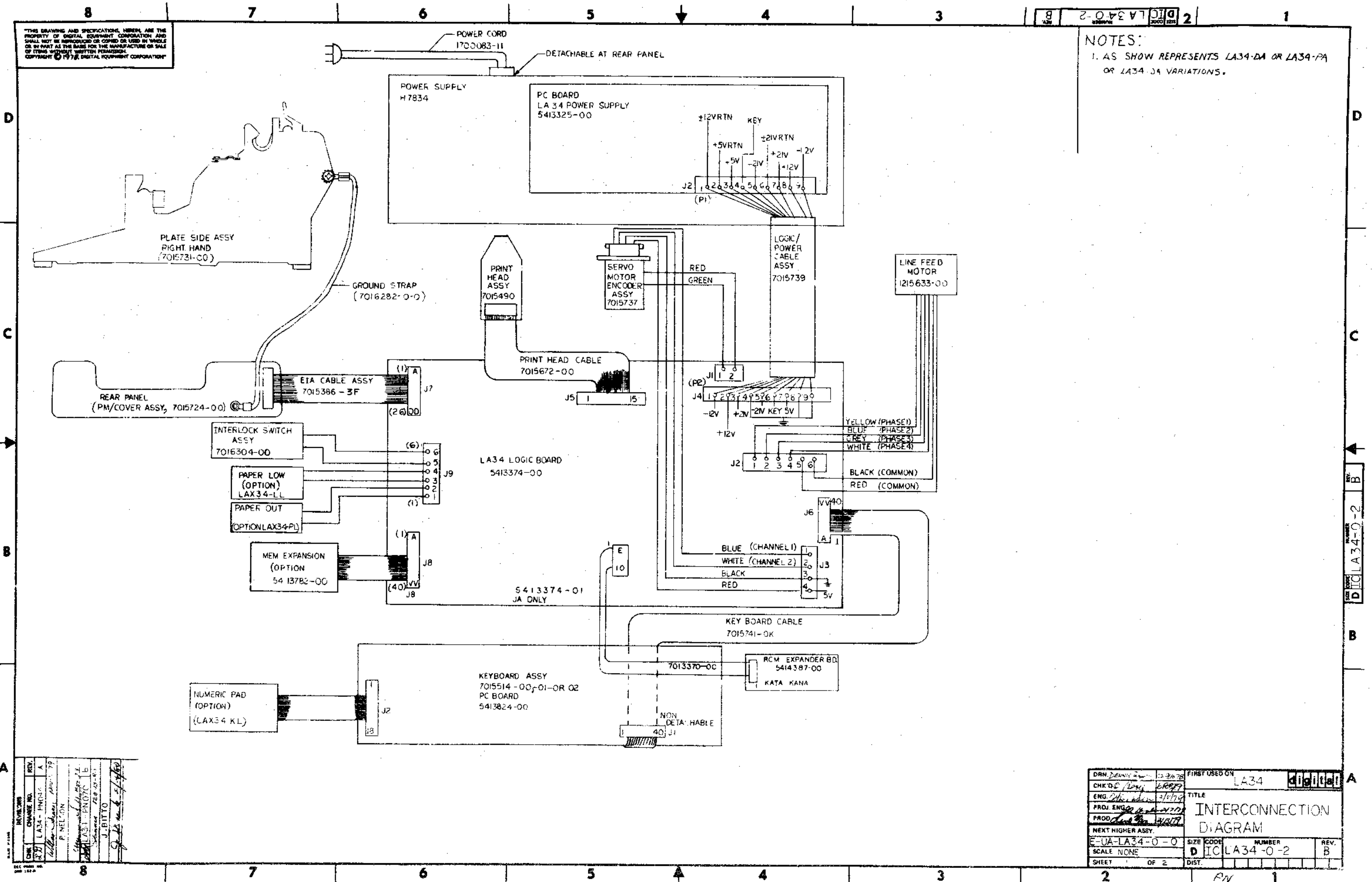
16 NOTE: 1 ITEM NUMBER 12 PAPER CATCHER IS OPTIONAL.

REVISION HISTORY			BASIC PART NO: OLA34	DRN: D, PUDELKO	DATE: 21-FEB-80	D I G I T A L			
ENG	ECO NUMBER	REV	SECTION A OF A	CHK'D: D HEALY	DATE: 21-FEB-80	TITLE PARTS LIST			
---	INITIAL	D	SECTION, VARIATION INDEX	DES.ENG.: R COURTEMANCHE <td>DATE: 21-FEB-80</td> <td colspan="4">LA34 UNIT ASSY.</td>	DATE: 21-FEB-80	LA34 UNIT ASSY.			
JB	LA34-PN070	D	[A] DA,PA,JA,AA,PB	RESP.ENG.: R COURTEMANCHE <td>DATE: 21-FEB-80</td> <td colspan="4">DOCUMENT NUMBER</td>	DATE: 21-FEB-80	DOCUMENT NUMBER			
JB	LA34-PN071	E	[B]	MFG.ENG.: L MION <td>DATE: 21-FEB-80</td> <td>SIZE</td> <td>CODE</td> <td>NUMBER</td> <td>REV</td>	DATE: 21-FEB-80	SIZE	CODE	NUMBER	REV
JB	LA34-PN072	F	[C]	ASSEMBLY NUMBER:	TOP DOCUMENT NUMBER:	K	PL	LA34-0-DBP	H
JB	LA34-PN073	H	[D]	E-UA-LA34-0-0	B-DD-LA34-0-0	FILE NAME:		EDIT #	
			[E]			LA34H,PLS		23	
			[F]						

"THIS DRAWING AND SPECIFICATIONS HEREIN, ARE THE PROPERTY OF DIGITAL EQUIPMENT CORPORATION AND SHALL NOT BE REPRODUCED OR COPIED OR USED IN WHOLE OR IN PART AS THE BASIS FOR THE MANUFACTURE OR SALE OF ITEMS WITHOUT WRITTEN PERMISSION. COPYRIGHT (C) 1981, DIGITAL EQUIPMENT CORPORATION"

THIS DRAWING AND SPECIFICATIONS, HEREIN, ARE THE PROPERTY OF DIGITAL EQUIPMENT CORPORATION AND SHALL NOT BE REPRODUCED OR COPIED OR USED IN WHOLE OR IN PART AS THE BASIS FOR THE MANUFACTURE OR SALE OF ITEMS WITHOUT WRITTEN PERMISSION. COPYRIGHT © 1978, DIGITAL EQUIPMENT CORPORATION.

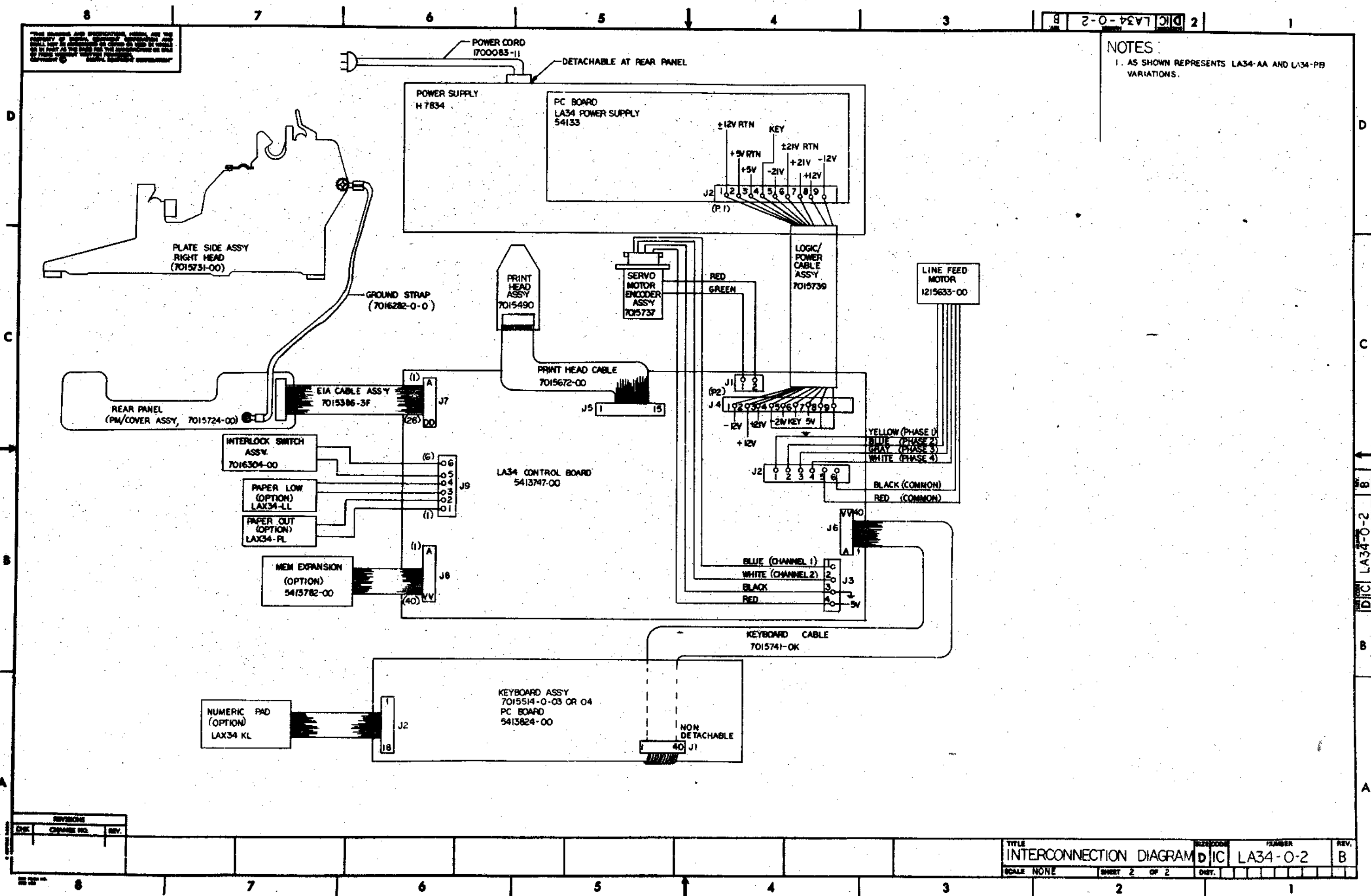
NOTES:
1. AS SHOWN REPRESENTS LA34-DA OR LA34-PA OR LA34-J4 VARIATIONS.



REV.	DATE	BY	CHKD.	APP'D.
1	12/20/78	J. BITTO		
2	1/10/79	P. NELSON		
3	1/10/79			
4	1/10/79			
5	1/10/79			
6	1/10/79			
7	1/10/79			
8	1/10/79			

DRN. DESIGN	12/20/78	FIRST USED ON	LA34	Digital
CHK'D. BY	1/10/79	TITLE	INTERCONNECTION DIAGRAM	
ENG. BY	1/10/79	SIZE	D	CODE
PRD. ENGR.	1/10/79	NUMBER	LA34-0-2	REV. B
PROD. BY	1/10/79	SCALE	NONE	
NEXT HIGHER ASSY.		SHEET	OF 2	
E-UA-LA34-0-0		DIST.		

NOTES:
 1. AS SHOWN REPRESENTS LA34-AA AND LA34-PB VARIATIONS.



REVISIONS		
CHK	CHANGE NO.	REV.

DRAWING NO.	NO. OF SHTS.	PART NO.	DESCRIPTION	REVISIONS																									
				A	B	C	D	E	F	G	H	I	J	K	L	M	N	O	P	Q	R	S	T	U	V	W	X	Y	Z
			MODULE REVISION	*	A	B	-	-	-	-	-	-	-	-	-	-	-	-	-	-	-	-	-	-	-	-	-	-	
B-DD-5413374-0	1		LA34 LOGIC BD.	*	A	B	C	D	E	F	G	H	I	J	K	L	M	N	P	R	S	T	U						
D-UA-5413374-0-0	3		LA34 LOGIC BD.	C	D	E	F	H	J	K	L	M	P	R	S	S	T	U	U	U									
D-CS-5413374-0-1	5		LA34 LOGIC BD.	C	D	E	F	F	H	J	K	L	M	P	R	S	T	U	V	W	Y								
D-MD-5013373-0-0	4		DRILL & ETCH DRAWING	C	D	D	E	E	E	E	E	E	E	E	E	E	E	E	E	E	F	F	F						
		5013373	ETCHED BOARD	D	D	D	E	E	E	E	E	E	E	E	E	E	E	E	E	E	E	E							
K-PL-5413374-0-DBP	-		PARTS LIST DATA BASE(5413374)	C	D	E	F	H	J	K	L	M	N	P	R	S	T	U	V	V	W								
K-PC-5413374-0-DBC	-		P.C. DESIGN DATA BASE(5413374)	A	A	A	B	B	B	B	B	B	B	B	B	B	B	B	B	B	E	E	E						
D-CS-5013373-0-0	1		ETCH CUT DRAWING	-	-	-	-	-	-	-	-	-	-	-	-	-	-	-	-	-	-	-	A	A					

NOTES:

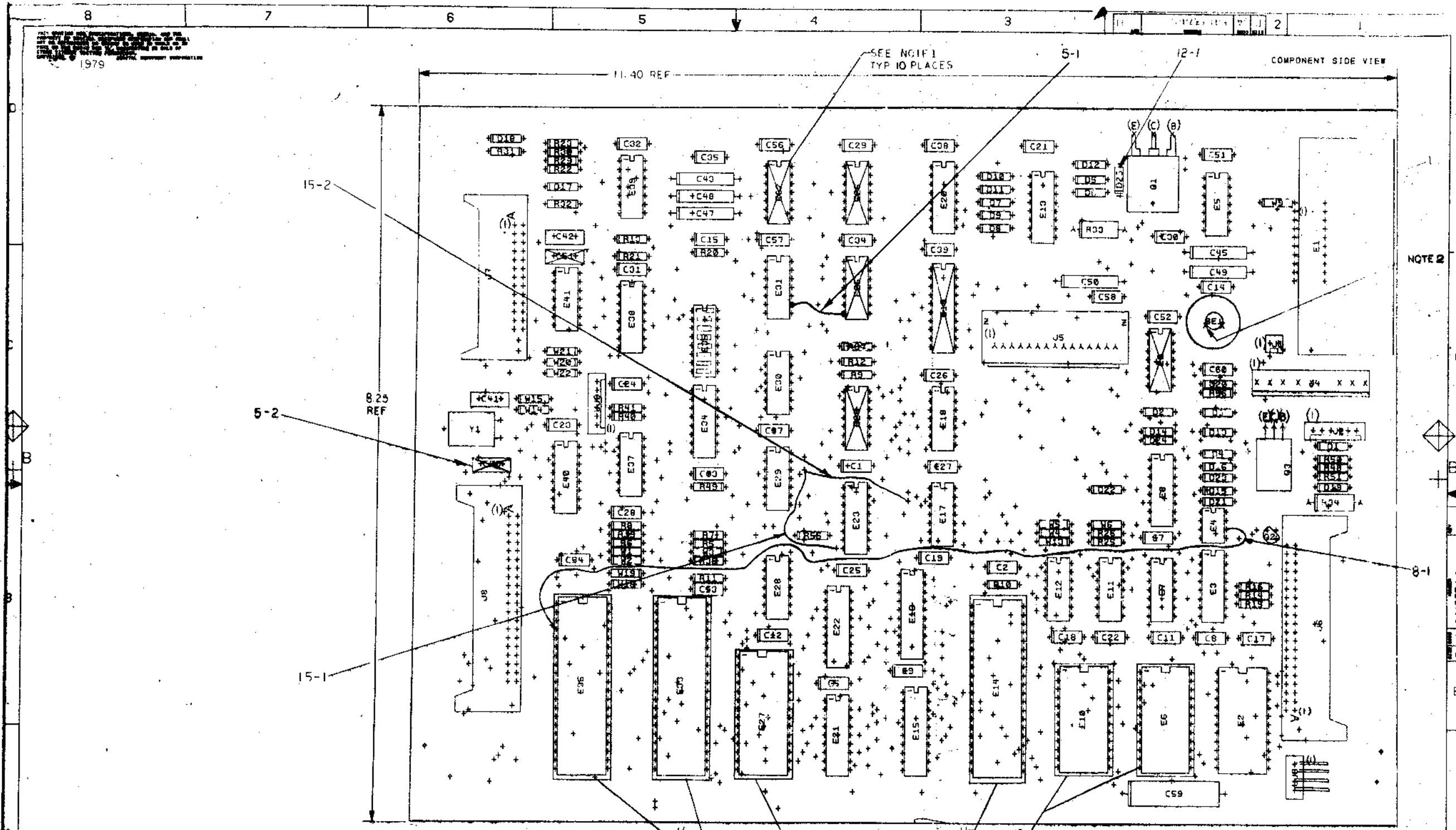
REVISIONS		DATE	CHG NO.	ORIG.	REV.	*	A	B	C	D	E	F	G	H	I	J	K	L	M	N	P	Q	R	S	T	U	
		6/79				*																					
		1/79	PN001			A																					
		6/79	PN002			B																					
		6-79	PN003			C																					
		6-79	PN004			D																					
		7-79	PN005			E																					
		11-79	PN006			F																					
		1-80	PN007			G																					
		2-80	PN008			H																					
		2-80	PN009			I																					
		3-80	PN010			J																					
		3-80	PN011			K																					
		4-80	PN012			L																					
		8-80	PN013			M																					
		10-80	PN014			N																					
		1-81	PN015			O																					
		4-81	PN016			P																					
		10-81	PN017			Q																					

"THIS DRAWING AND SPECIFICATIONS, HEREIN, ARE THE PROPERTY OF DIGITAL EQUIPMENT CORPORATION AND SHALL NOT BE REPRODUCED OR COPIED OR USED IN WHOLE OR IN PART AS THE BASIS FOR THE MANUFACTURE OR SALE OF ITEMS WITHOUT WRITTEN PERMISSION.
 COPYRIGHT © 1978 DIGITAL EQUIPMENT CORPORATION
 DRB 128



USED ON OPTION/MODEL		DRN.	TITLE	
LA34		P. BOSSMAN	6/28/78	LA34 LOGIC BOARD
		CHK'D <i>J. Bossman</i>	29 JUN 78	
		ENG. <i>A. D. Deon</i>	8/10/78	SIZE CODE NUMBER REV
		PRD. <i>V. Dehian</i>	8/10/78	B DD 5413374-0 U
			SHEET 1 OF 1	

PN



NOTES:

- (1) C61, R37, C40, E2, E24, E25, E32, E9, A, E19 ARE NOT INSTALLED.
- (2) INSTALL BEL (BELL) WITH SHORT LEAD IN HOLE CLOSEST TO E9
- (3) W2, W3, W5, W14, W20, W22 ARE OPTIONAL NUMBERS

CHANGE NO	REV	DATE	BY	CHK	APP
1	1	7/15/79	J. DESK	J. BITTO	J. DESK
2	1	7/15/79	J. DESK	J. BITTO	J. DESK
3	1	7/15/79	J. DESK	J. BITTO	J. DESK
4	1	7/15/79	J. DESK	J. BITTO	J. DESK
5	1	7/15/79	J. DESK	J. BITTO	J. DESK
6	1	7/15/79	J. DESK	J. BITTO	J. DESK
7	1	7/15/79	J. DESK	J. BITTO	J. DESK
8	1	7/15/79	J. DESK	J. BITTO	J. DESK
9	1	7/15/79	J. DESK	J. BITTO	J. DESK
10	1	7/15/79	J. DESK	J. BITTO	J. DESK
11	1	7/15/79	J. DESK	J. BITTO	J. DESK
12	1	7/15/79	J. DESK	J. BITTO	J. DESK
13	1	7/15/79	J. DESK	J. BITTO	J. DESK
14	1	7/15/79	J. DESK	J. BITTO	J. DESK
15	1	7/15/79	J. DESK	J. BITTO	J. DESK
16	1	7/15/79	J. DESK	J. BITTO	J. DESK
17	1	7/15/79	J. DESK	J. BITTO	J. DESK
18	1	7/15/79	J. DESK	J. BITTO	J. DESK
19	1	7/15/79	J. DESK	J. BITTO	J. DESK
20	1	7/15/79	J. DESK	J. BITTO	J. DESK
21	1	7/15/79	J. DESK	J. BITTO	J. DESK
22	1	7/15/79	J. DESK	J. BITTO	J. DESK
23	1	7/15/79	J. DESK	J. BITTO	J. DESK
24	1	7/15/79	J. DESK	J. BITTO	J. DESK
25	1	7/15/79	J. DESK	J. BITTO	J. DESK
26	1	7/15/79	J. DESK	J. BITTO	J. DESK
27	1	7/15/79	J. DESK	J. BITTO	J. DESK
28	1	7/15/79	J. DESK	J. BITTO	J. DESK
29	1	7/15/79	J. DESK	J. BITTO	J. DESK
30	1	7/15/79	J. DESK	J. BITTO	J. DESK
31	1	7/15/79	J. DESK	J. BITTO	J. DESK
32	1	7/15/79	J. DESK	J. BITTO	J. DESK
33	1	7/15/79	J. DESK	J. BITTO	J. DESK
34	1	7/15/79	J. DESK	J. BITTO	J. DESK
35	1	7/15/79	J. DESK	J. BITTO	J. DESK
36	1	7/15/79	J. DESK	J. BITTO	J. DESK
37	1	7/15/79	J. DESK	J. BITTO	J. DESK
38	1	7/15/79	J. DESK	J. BITTO	J. DESK
39	1	7/15/79	J. DESK	J. BITTO	J. DESK
40	1	7/15/79	J. DESK	J. BITTO	J. DESK
41	1	7/15/79	J. DESK	J. BITTO	J. DESK
42	1	7/15/79	J. DESK	J. BITTO	J. DESK
43	1	7/15/79	J. DESK	J. BITTO	J. DESK
44	1	7/15/79	J. DESK	J. BITTO	J. DESK
45	1	7/15/79	J. DESK	J. BITTO	J. DESK
46	1	7/15/79	J. DESK	J. BITTO	J. DESK
47	1	7/15/79	J. DESK	J. BITTO	J. DESK
48	1	7/15/79	J. DESK	J. BITTO	J. DESK
49	1	7/15/79	J. DESK	J. BITTO	J. DESK
50	1	7/15/79	J. DESK	J. BITTO	J. DESK
51	1	7/15/79	J. DESK	J. BITTO	J. DESK
52	1	7/15/79	J. DESK	J. BITTO	J. DESK
53	1	7/15/79	J. DESK	J. BITTO	J. DESK
54	1	7/15/79	J. DESK	J. BITTO	J. DESK
55	1	7/15/79	J. DESK	J. BITTO	J. DESK
56	1	7/15/79	J. DESK	J. BITTO	J. DESK
57	1	7/15/79	J. DESK	J. BITTO	J. DESK
58	1	7/15/79	J. DESK	J. BITTO	J. DESK
59	1	7/15/79	J. DESK	J. BITTO	J. DESK
60	1	7/15/79	J. DESK	J. BITTO	J. DESK

ETCH REV. E-P	P.C. DESIGN DATA BMS REV. E-1
---------------	-------------------------------

SIGNATURE	DATE
DRN. D. POWERS	7/15/79
CHK. D. POWERS	7/15/79
ENG. J. DESK	7/15/79
PRD. J. DESK	7/15/79
PRO. J. DESK	7/15/79

digital	
TITLE LA34 LOGIC BOARD	
SCALE 2	OF 4
SHT. 1	OF 4
NEXT HIGHER ASSY. 8 DD 5413374 00	
SIZE CODE	NUMBER
8 UA	5413374 00
REV	1 MS#

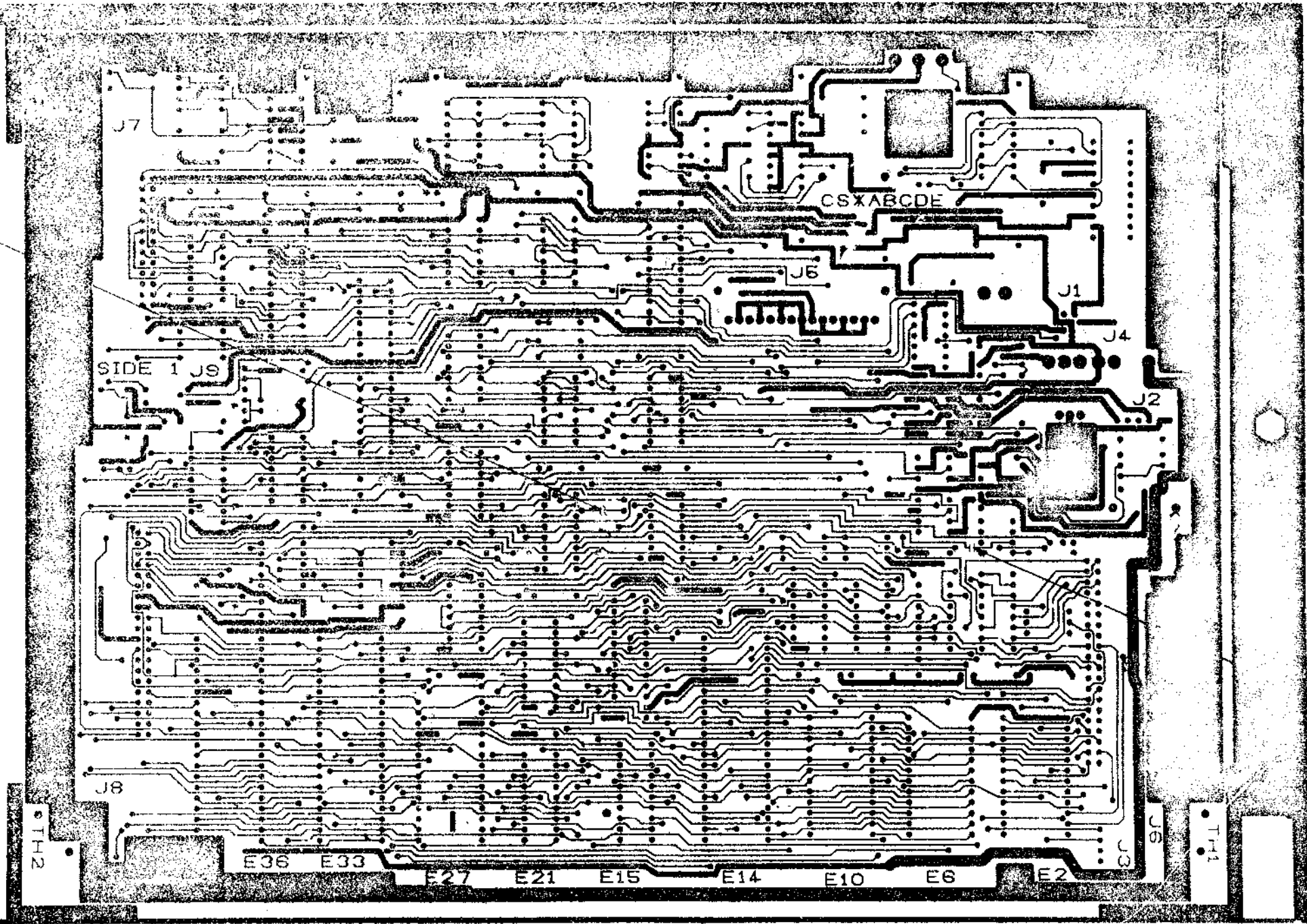
NOTE 2

D UA 5413374 00

1 MS#

5013373E-P1
5413374

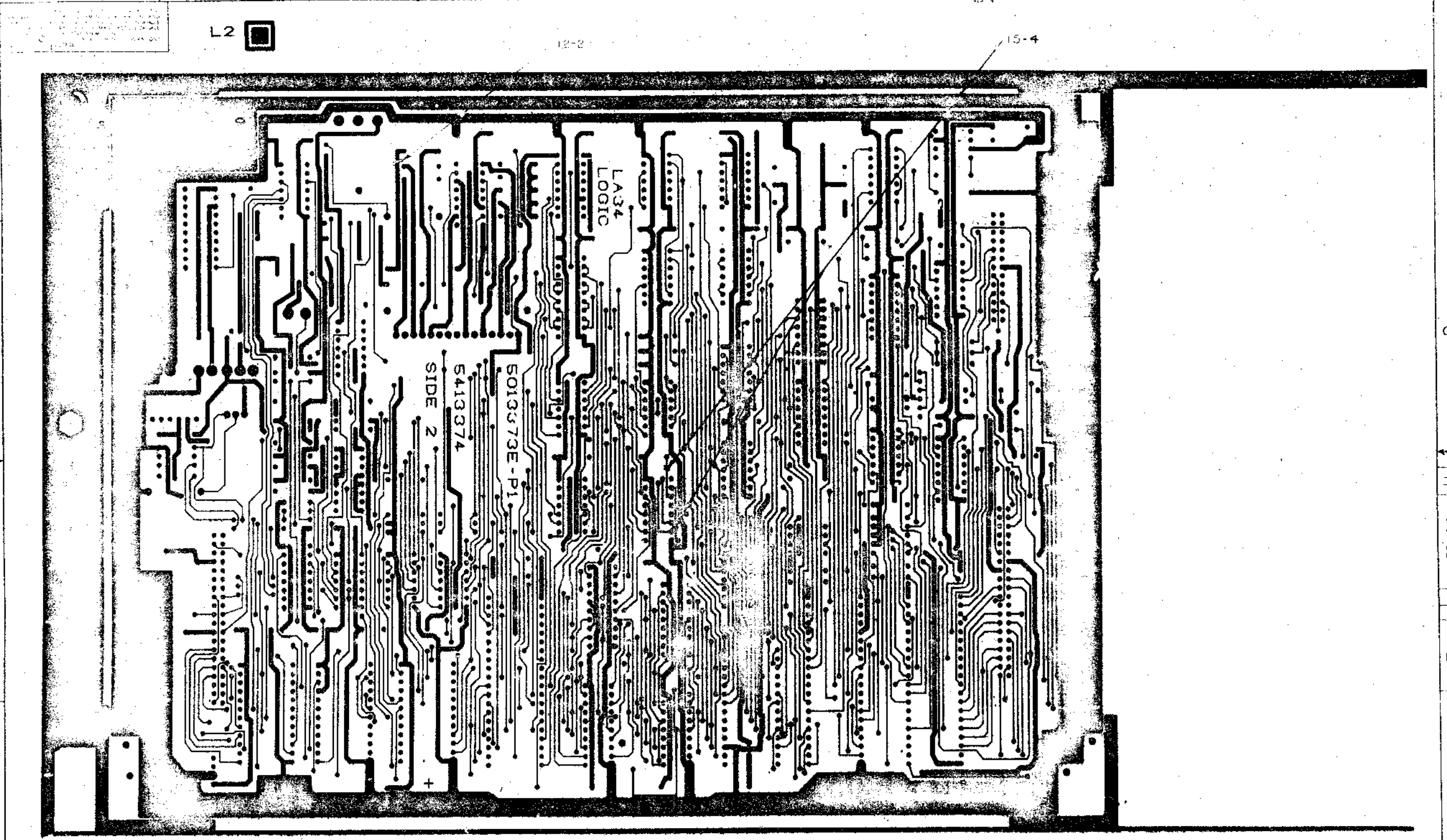
L1



TYPE	LA34 LOGIC BOARD	DATE	10/11/54
DRW	DJA	CHK	MISSY/C
DATE	2-1	DATE	2-1

7	6	5	4	3	2	1
---	---	---	---	---	---	---

8 7 6 5 4 3 2 1



REVISIONS		TITLE		DRAWING NUMBER	
NO.	CHANGE	LA34 LOGIC BOARD		DNA 5413374-00	
		SCALE	2-1	SHEET	3 of 4

8 7 6 5 4 3 2 1

A B C
DNA 5413374-00

THIS DRAWING AND SPECIFICATIONS HEREIN ARE THE PROPERTY OF DIGITAL EQUIPMENT CORPORATION AND SHALL NOT BE REPRODUCED OR COPIED OR USED IN WHOLE OR IN PART AS THE BASIS FOR THE MANUFACTURE OR SALE OF ITEMS WITHOUT WRITTEN PERMISSION. COPYRIGHT © 1979 DIGITAL EQUIPMENT CORPORATION

5413374-00 2

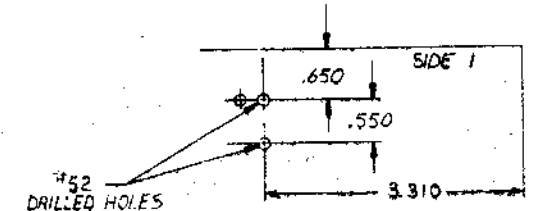
REWORK INSTRUCTIONS

ECO # 5
WIRE ADD SIDE 1
5-1 FROM DTH CONNECTED TO E31-9
TO E25-7

COMPONENT DELETE SIDE 1
5-2 C 40

ECO # 8
8-1 ADDITION OF ECO WIRE FROM E36-4 TO E4-6
-01 VARIATION ONLY.
8-2 ETCH CUT FROM E4-6 FOR -01 VARIATION ONLY

ECO # 12
12-1 DRILL TWO NUMBER 52 HOLES .550 INCHES APART IN THE HEAVY ETCH
RUNNING FROM D12 ANODE TO THE 21 VOLT GROUND (DIAGRAM BELOW).



12-2 CUT THE ETCH BETWEEN D12 ANODE AND C50.

ECO # 15
WIRE ADD SIDE 1
15-1 ADD JUMPER WIRE FROM PTH BESIDE E29-12 TO
PTH BESIDE E23-8.
15-2 ADD JUMPER WIRE FROM PTH BESIDE E29-12 TO
PTH BESIDE E23-15.

ETCH CUT SIDE 1
15-3 CUT THE ETCH FROM E23-3 SO THAT THE ETCH CUT
IS BETWEEN THE FIRST TWO FEED THRU HOLES IN THE
ETCH RUN FROM PIN 3.

ETCH CUT SIDE 2
15-4 CUT ETCH AT E23-2 AND E23-3.

REVISIONS		
CHK	CHANGE NO.	REV.

TITLE	LA34 LOGIC BOARD	NUMBER	5413374-0-0	REV.	U
SCALE	SECRET 4 OF 4	DIST.			

5413374-00

LINE	ITEM	DOCUMENT NUMBER	PART NUMBER	DESCRIPTION	QTY PER VARIATION		REFERENCE DESIGNATOR
					00	01	
1	1		5013373-00	LA34 LOGIC BOARD	1	1	
2	2		1000055-00	2200.0 MMF 250V 20% Y5S DISC	1	1	C42
3	3		1000079-00	47 MFD 20V 20% S.TANT	1	1	C59
4	4		1001610-00	.01 MFD 50V +80-20% Z5U CER	39	39	C1,C2,C5,C7-C9,C11,C12,C14,C15, C17-C19,C21-C35,C37-C39,C51-C54, CONT C56-C58,C60 CONT C47-C49,C50,C45
5	5		1005306-00	6.8MFD 35V 10% S.TANT	5	5	C41
6	6		1005820-00	22.0 MMF 100V 5%200PPM MICA	1	1	C43
7	7		1005636-00	22 MFD 6V 10% S.TANT	1	1	D20-D24
8	8		1105275-00	D 672 TR= 15NS PIV= 60V SI	5	5	D18
9	9		1101938-00	1N 4370A VZ= 2.4 5% .40W	1	1	D1-D17,D19
10	10		1105796-00	1N 4004 PIV=400 I= 1A D041 SP	18	18	
11	11	USED FOR E33,E36	1215006-08	SKT,IC 40PIN DIP TIN PLATE	2	2	
12	12	USED FOR E6,E10	1215006-06	SKT,IC 24PIN DIP TIN PLATE	2	2	
13	13		1211164-04	SW,DIP 1P 1A 8POS	1	1	E35
14	14		1215323-02	CONN, 2POS POLARIZING & LO	1	1	J1
15	15		1215323-00	CONN, 6POS POLARIZING & LO	2	2	J2,J9
16	16		1215324-00	CONN 15POS GOLD PLATED	1	1	J5
17	17		1215699-00	HEADER 9POS STRAIGHT	1	1	J4
18	18		1215635-01	TRANSDUCER,MINATURE AUDIO FOR LA	1	1	BE1
19	19		1215921-00	CONN, 4PIN WAFER,RIGHT ANG	1	1	J3
20	20		1209941-02	HEADER 100 40POS RT ANGLE	2	2	J6,J8
21	21		1209941-09	HEADER 26POS RT ANGLE RCPT	1	1	J7
22	22		1300247-00	120.0 .25 W 5.0 % CC	1	1	R31
23	23		1300295-00	330.0 .25 W 5.0 % CC	4	4	R14,R15,R5,R16
24	24		1300365-00	1.0 K .25 W 5.0 % CC	7	7	R36,R49,R19,R29,R40,R41,R55
25	25		1300415-00	2.20 K .50 W 5.0 % CC	1	1	R33
26	26		1300479-00	10.0 K .25 W 5.0 % CC	10	10	R10,R7,R6,R11,R12,R8,R22,R21, CONT R13,R9
27	27		1300488-00	12.0 K .25 W 5.0 % CC	1	1	R32

REVISION HISTORY			BASIC PART NO: 5413374			DRN: J. LIZOTTE			DATE: 14-JUN-78			D I G I T A L		
ENG	ECD NUMBER	REV	SECTION A OF A	CHK'D:	R. WONG	DATE:	05-JUL-78	TITLE	PARTS LIST					
JB	PN006	K	SECTION.VARIATION INDEX	CHK'D:	R. WONG	DATE:	05-JUL-78	LA34 LOGIC BOARD						
JB	5413374-PN007	L	[A] 00,01											
JB	5413374-PN008	M	[B]											
JB	5413374-PN009	N	[C]	DES.ENG:	D. DODSON	DATE:	05-JUL-78							
JB	5413374-PN010	P	[D]											
JB	5413374-PN011	R	[E]											
JB	5413374-PN012	S	[F]	RESP.ENG.:	D. DODSON	DATE:	14-JUN-78	DOCUMENT NUMBER						
JB	5413374-PN012	S	[H]											
JB	5413374-PN013	T	[J]											
JB	5413374-PN014	U	[K]	MFG.ENG.:	L. MION	DATE:	05-JUL-78	K	PL	5413374-0-DBP	W			
JB	5413374-PN015	V	[L]											
ENG	5413374-PN017	W	[M]	ASSEMBLY NUMBER:	D-UA-RE13374-0-0	TOP DOCUMENT NUMBER:	LA34	FILE NAME:	13374W.PLS	EDIT #:	32			
			[N]											

"THIS DRAWING AND SPECIFICATIONS HEREIN, ARE THE PROPERTY OF DIGITAL EQUIPMENT CORPORATION AND SHALL NOT BE REPRODUCED OR COPIED OR USED IN WHOLE OR IN PART AS THE BASIS FOR THE MANUFACTURE OR SALE OF ITEMS WITHOUT WRITTEN PERMISSION. COPYRIGHT (C) 1981. DIGITAL EQUIPMENT CORPORATION"

LINE ITEM	DOCUMENT NUMBER	PART NUMBER	DESCRIPTION	QTY PER VARIATION		REFERENCE DESIGNATOR
				00	01	
28	28	1302388-00	2.0 K .25 W 5.0 % CC	1	1	R51
29	29	1302466-00	100.0 K .25 W 5.0 % CC	2	2	R23,R20
30	30	1301890-00	560.0 .25 W 5.0 % CC	1	1	R48
31	31	1301423-00	6.80 K .25 W 5.0 % CC	3	3	R25,R26,R30
32	32	1300005-07	R NETWORK 15-4.7K 5.0 % 16PIN	1	1	E34
33	33	1300439-00	3.30 K .25 W 5.0 % CC	1	1	R50
34	34	1315676-00	300.0 3.0 W 5.0 % MW 9	1	1	R34
35	37	1515370-00	TIP146 PNP DARLINGTON-CONNECTED	1	1	Q1
36	38	1514509-00	TIP 125 PNP 65W SI 60 500 BA	1	1	Q3
37	39	1510706-00	XA 55 PNP 500MW SI 60 50 P	1	1	Q2
38	40	1812396-03	XTAL 4.000 MHZ	1	1	Y1
39	41	1915636-00	DRIVER,SWITCHING MOT	1	1	E1
40	42	1913130-00	DEC 1489A RECEIVER,LINE,QUAD,	1	1	E41
41	43	1912863-00	LS273 FF-D OCTAL W/CLEAR	1	1	E15
42	44	1912846-00	LS155 DECODER,2 OF 4(DUAL)	1	1	E40
43	45	1910322-00	DEC 1488L DRIVER,LINE,QUAD,EI	1	1	E31
44	46	1910741-00	7406 INVERTER GATE-HEX 1I	1	1	E5
45	47	1912108-00	339 VOLT CMPRTR,QUAD	1	1	E39
46	48	1912801-00	LS02 NOR-GATE-QUAD 2IN	1	1	E7
47	49	1912803-00	74LS04 INVERTER GATE,HEX	3	3	E30,E18,E17
48	50	1912805-00	LS08 AND GATE-QUAD 2IN,PO	1	1	E29
49	51	1913777-00	LS240 DRIVER,LINE,OCTAL,T	1	1	E16
50	52	1914072-00	74159 DECODER-4 TO 16 OPN	1	1	E2
51	53	1215006-07	SKT,IC 28PIN DIP TIN FLATE	1	1	
52	54	1915261-00	DEC 2841B DRIVER,1.5A QUAD	3	3	E13,E20,E8
53	55	1914560-00	LS368 DRIVER,BUS,HEX,TRI-	1	1	E38
54	56	1913471-00	LS367 DRIVER,BUS,HEX,TRI-	1	1	E23
55	57	1912807-00	LS10 NAND GATE-TRIPLE 3IN	1	1	E37
56	58	1912816-00	LS32 OR GATE-QUAD 2IN,POS	2	2	E11,E28
57	59	1912824-00	LS74 FF-D DUAL,EDGE TRIGG	1	1	E12
58	60	1910406-00	75451 DRIVER,PERIPH,DUAL,	1	1	E4
59	61	1913950-00	LS156 DECODER,2 OF 4(DUAL)	1	1	E3
60	62	2113107-01	P 8251A PUSART COMM. INTERFA	1	1	E27
61	63	2113954-00	DC 305 INTERFACE CHIP	1	1	E14
62	64	2114212-00	P 2114-2 RAM,1024X4,STATIC	2	2	E21,E22
63	65	2114963-00	UP,8-BIT NMOS	1	1	E36
64	66	23001B9-00	B9-01	1	-	E33
65	67	23059E2-00	E2-01	1	-	E6
66	68	23131E2-00	E2-01	1	-	E10
67	69	9009185-00	JUMPER, WIRE, INSULATED, BLACK B	9	-	W21,W15,W19,W18,W13,W9,W6,W4,W1
			CONT	-	9	W21,W25,W19,W18,W13,W9,W6,W4,W2
68	70	9105740-55	WIRE(WRAP)30AWG UL1423	A/R	A/R	
69	71	1302602-00	56.0 .25 W 5.0 % CC	1	1	R56
70	72	23011B9-00	B9-02	-	1	E33
71	73	23232E2-00	E2-04	-	1	E6
72	74	1110854-00	1N 5353B VZ= 16.0V 5% .40W M	1	1	D25

USED FOR E27

D	I	G	I	T	A	L	TITLE	SECTION A OF A	SIZE	CODE	DOCUMENT NUMBER	REV
							LA34 LOGIC BOARD		K	PL	5413374-0-DBP	W

AUTOMATED BY PRTLST.2D(16)

P A R T S L I S T

SHEET A3 OF A3

LINE ITEM DOCUMENT NUMBER

PART NUMBER

DESCRIPTION

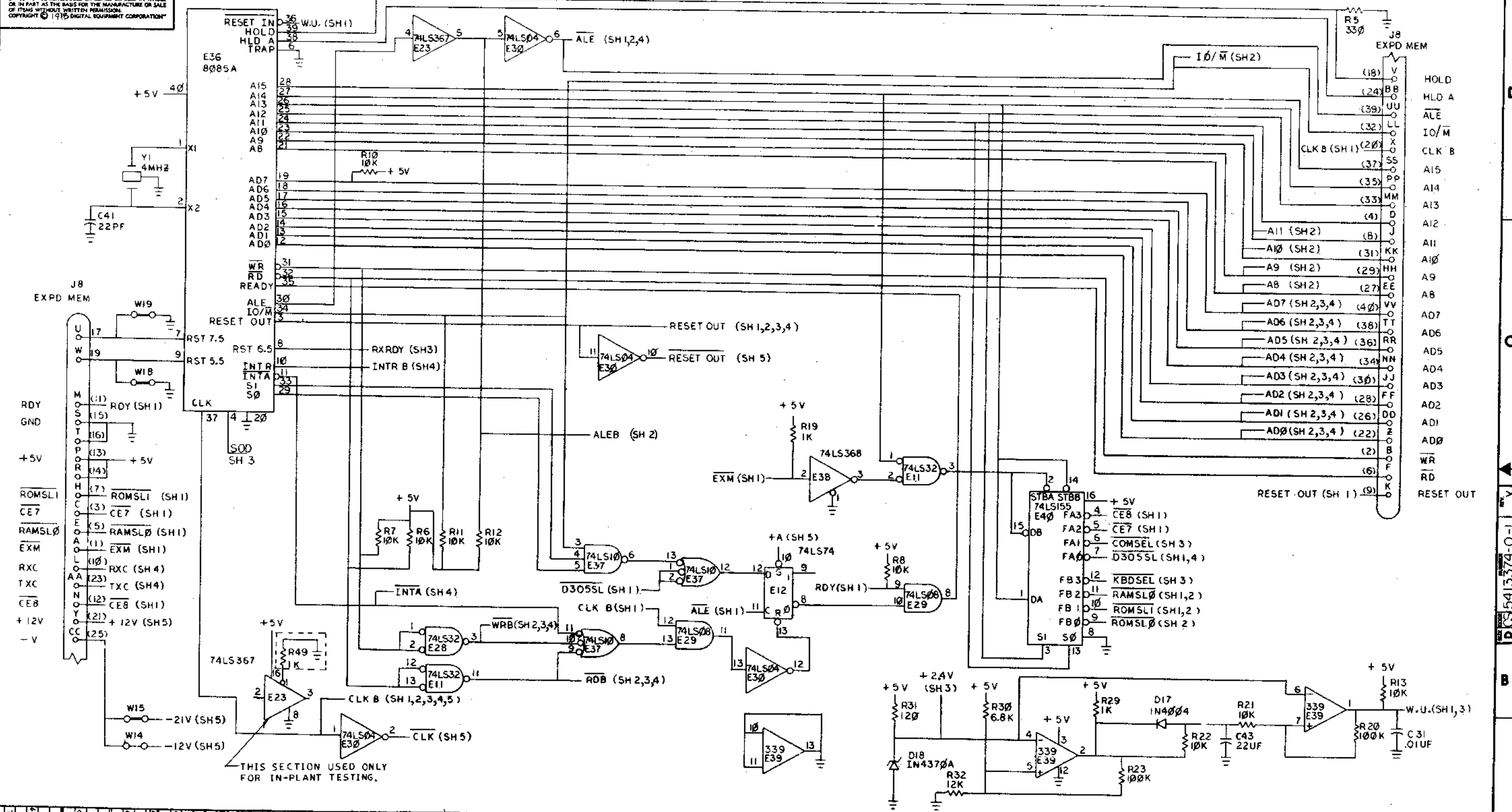
QTY PER VARIATION
00 01

REFERENCE DESIGNATOR

73 NOTE: IF 2114212-00 IS NOT AVAILABLE 2114212-01 CAN BE USED.

D	I	G	I	T	A	L	TITLE	SECTION A OF A	SIZE	CODE	DOCUMENT NUMBER	REV
							LA34 LOGIC BOARD				5413374-0-BBP	W
									K	PL		

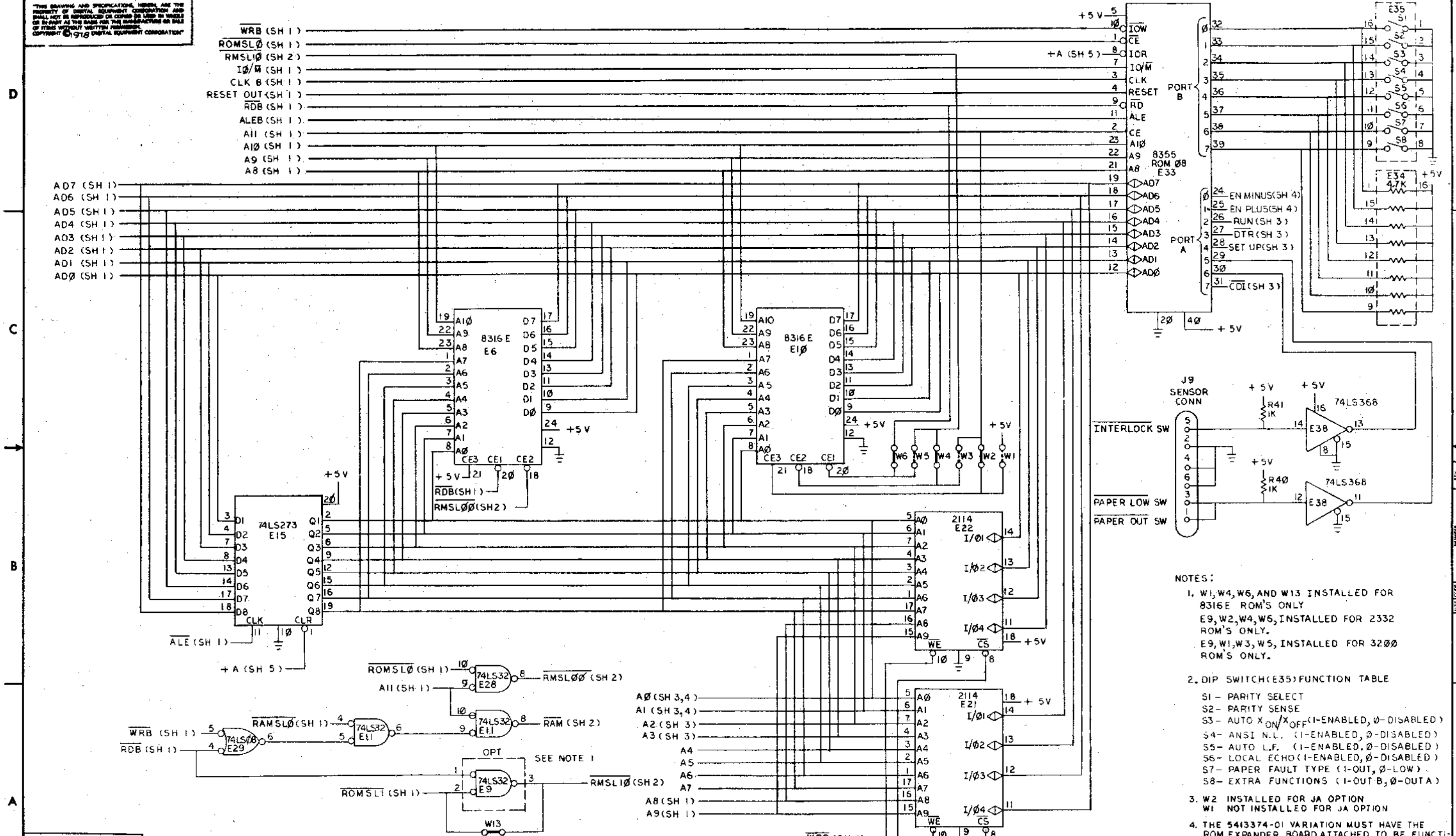
THIS DRAWING AND SPECIFICATIONS HEREIN ARE THE PROPERTY OF DIGITAL EQUIPMENT CORPORATION AND SHALL NOT BE REPRODUCED OR COPIED OR USED IN WHOLE OR IN PART AS THE BASIS FOR THE MANUFACTURE OR SALE OF ITEMS WITHOUT WRITTEN PERMISSION. COPYRIGHT © 1975 DIGITAL EQUIPMENT CORPORATION



REV.	CHG.	BY	DATE	DESCRIPTION
1		D. DODSON	12/10/77	INITIAL DESIGN
2		D. DODSON	12/10/77	REVISED FOR MANUFACTURE
3		J. BITTO	12/10/77	REVISED FOR MANUFACTURE
4		J. BITTO	12/10/77	REVISED FOR MANUFACTURE
5		J. BITTO	12/10/77	REVISED FOR MANUFACTURE
6		J. BITTO	12/10/77	REVISED FOR MANUFACTURE
7		J. BITTO	12/10/77	REVISED FOR MANUFACTURE
8		J. BITTO	12/10/77	REVISED FOR MANUFACTURE

CHK'D	DATE	BY	DATE	BY	DATE	BY
ENG'G	12/10/77	D. DODSON	12/10/77	J. BITTO	12/10/77	J. BITTO
PROJ. ENG.	12/10/77	J. BITTO	12/10/77	J. BITTO	12/10/77	J. BITTO
PROD. V.	12/10/77	J. BITTO	12/10/77	J. BITTO	12/10/77	J. BITTO
NEXT HIGHER ASSY.						
B-DD-5413374-0	SIZE CODE	NUMBER	REV.			
SCALE	D	CS 5413374-0-1	Y			
SHEET	1	OF 5	DIST.			

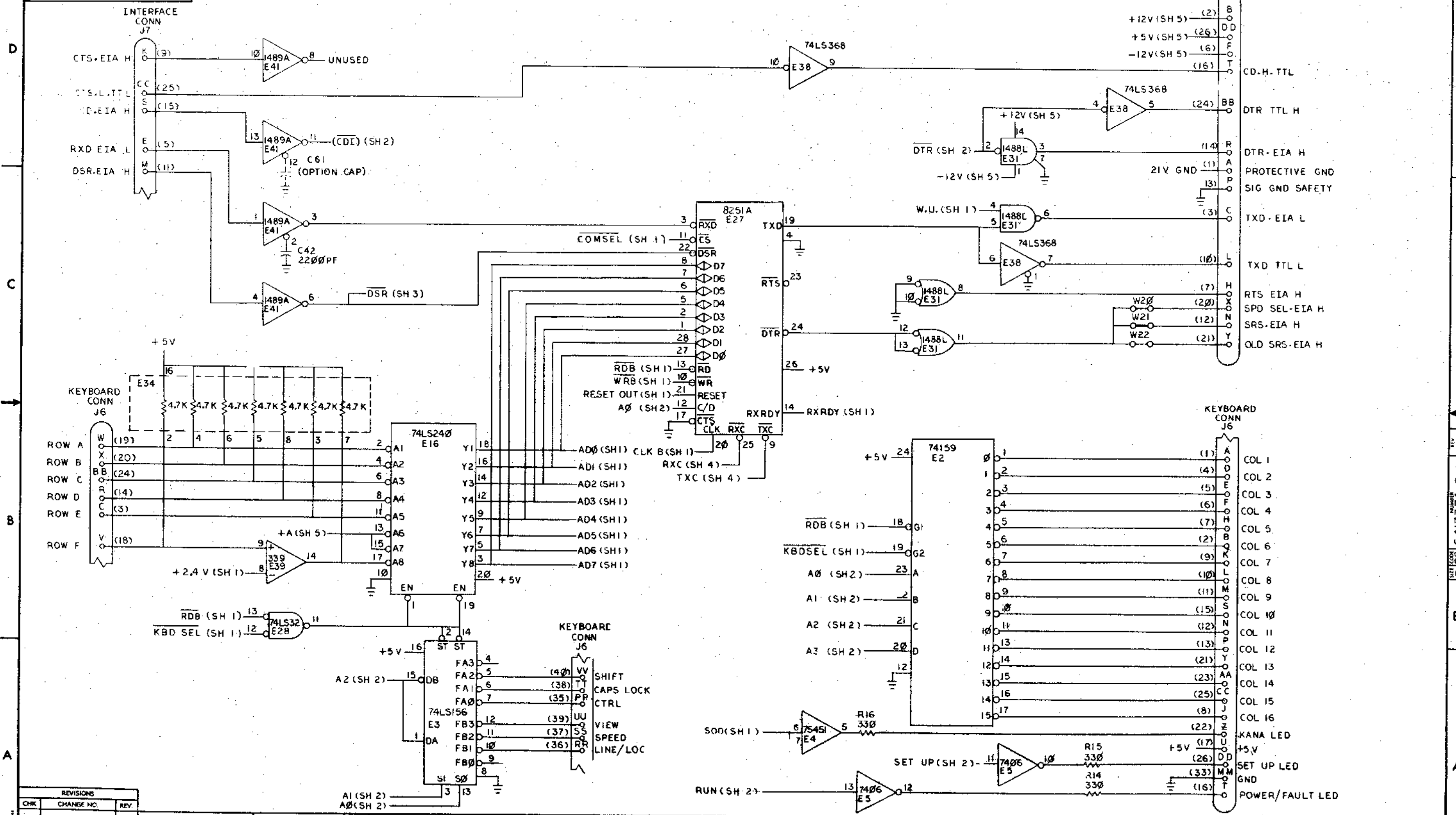
THIS DRAWING AND SPECIFICATIONS, HEREIN ARE THE PROPERTY OF DIGITAL EQUIPMENT CORPORATION AND SHALL NOT BE REPRODUCED OR COPIED IN WHOLE OR IN PART AS THE BASIS FOR THE MANUFACTURE OR SALE OF ITEMS WITHOUT WRITTEN PERMISSION. COPYRIGHT © 1978 DIGITAL EQUIPMENT CORPORATION



- NOTES:
- W1, W4, W6, AND W13 INSTALLED FOR 8316E ROM'S ONLY
E9, W2, W4, W6, INSTALLED FOR 2332 ROM'S ONLY.
E9, W1, W3, W5, INSTALLED FOR 3200 ROM'S ONLY.
 - DIP SWITCH (E35) FUNCTION TABLE
- | | |
|----|---------------------------------------|
| S1 | PARITY SELECT |
| S2 | PARITY SENSE |
| S3 | AUTO X ON/OFF (1-ENABLED, 0-DISABLED) |
| S4 | ANSI N.L. (1-ENABLED, 0-DISABLED) |
| S5 | AUTO L.F. (1-ENABLED, 0-DISABLED) |
| S6 | LOCAL ECHO (1-ENABLED, 0-DISABLED) |
| S7 | PAPER FAULT TYPE (1-OUT, 0-LOW) |
| S8 | EXTRA FUNCTIONS (1-OUT-B, 0-OUT-A) |
- W2 INSTALLED FOR JA OPTION
W1 NOT INSTALLED FOR JA OPTION
 - THE 5413374-01 VARIATION MUST HAVE THE ROM EXPANDER BOARD ATTACHED TO BE FUNCTIONAL.

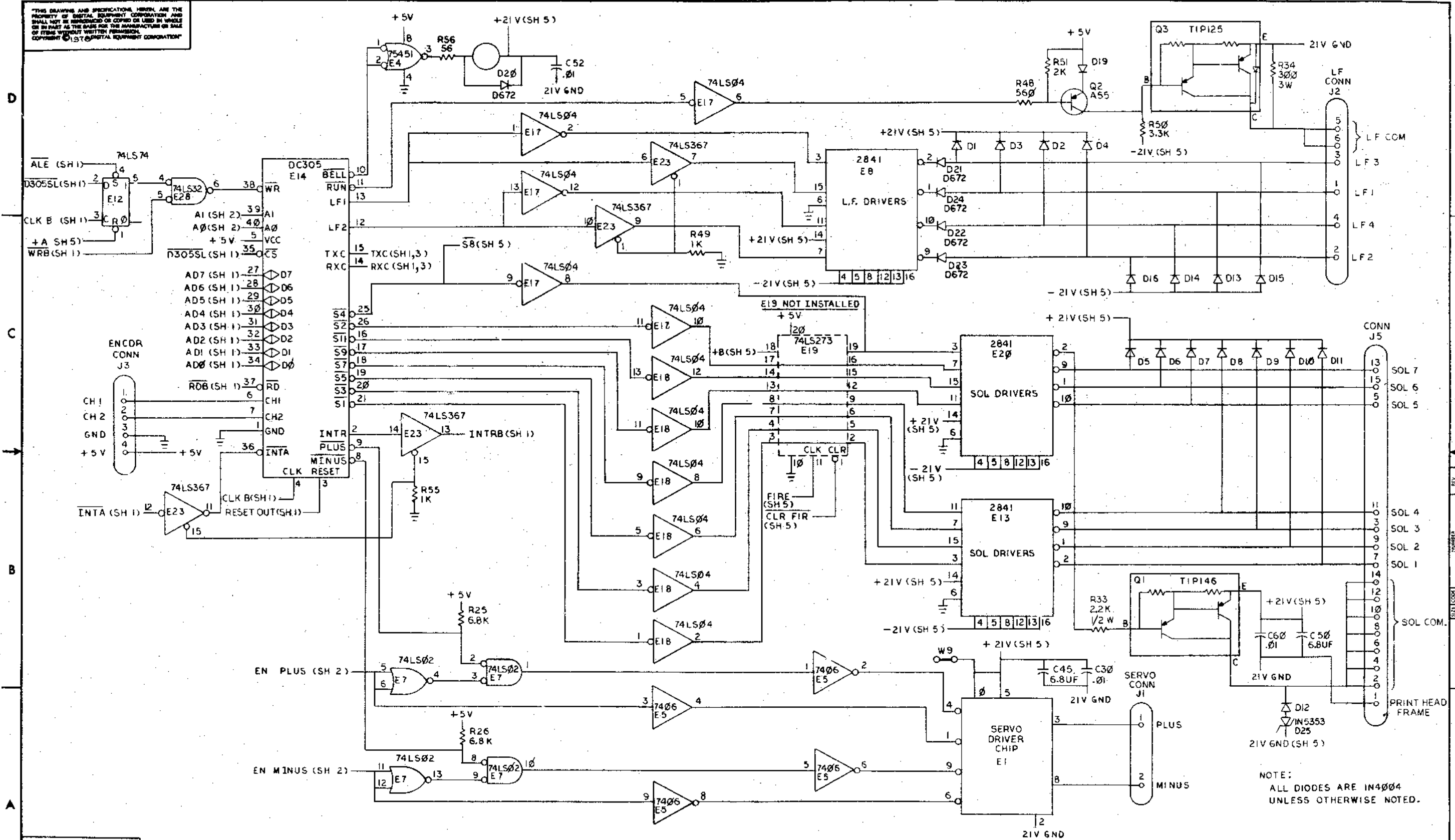
REVISIONS		
CHK	CHANGE NO.	REV.

THIS DRAWING AND SPECIFICATIONS, HEREIN, ARE THE PROPERTY OF DIGITAL EQUIPMENT CORPORATION AND SHALL NOT BE REPRODUCED OR USED IN WHOLE OR IN PART AS THE BASIS FOR THE MANUFACTURE OR SALE OF ITEMS WITHOUT WRITTEN PERMISSION. COPYRIGHT © 1975 DIGITAL EQUIPMENT CORPORATION



REVISIONS		
CHK	CHANGE NO.	REV.

"THIS DRAWING AND SPECIFICATIONS HEREIN ARE THE PROPERTY OF DIGITAL EQUIPMENT CORPORATION AND SHALL NOT BE REPRODUCED OR COPIED OR USED IN WHOLE OR IN PART AS THE BASIS FOR THE MANUFACTURE OR SALE OF ITEMS WITHOUT WRITTEN PERMISSION. COPYRIGHT © 1971 DIGITAL EQUIPMENT CORPORATION"

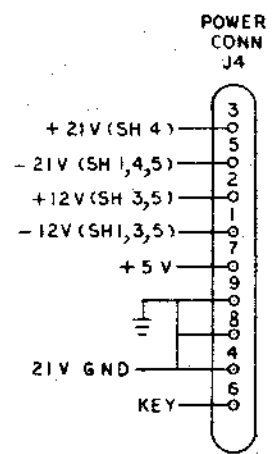
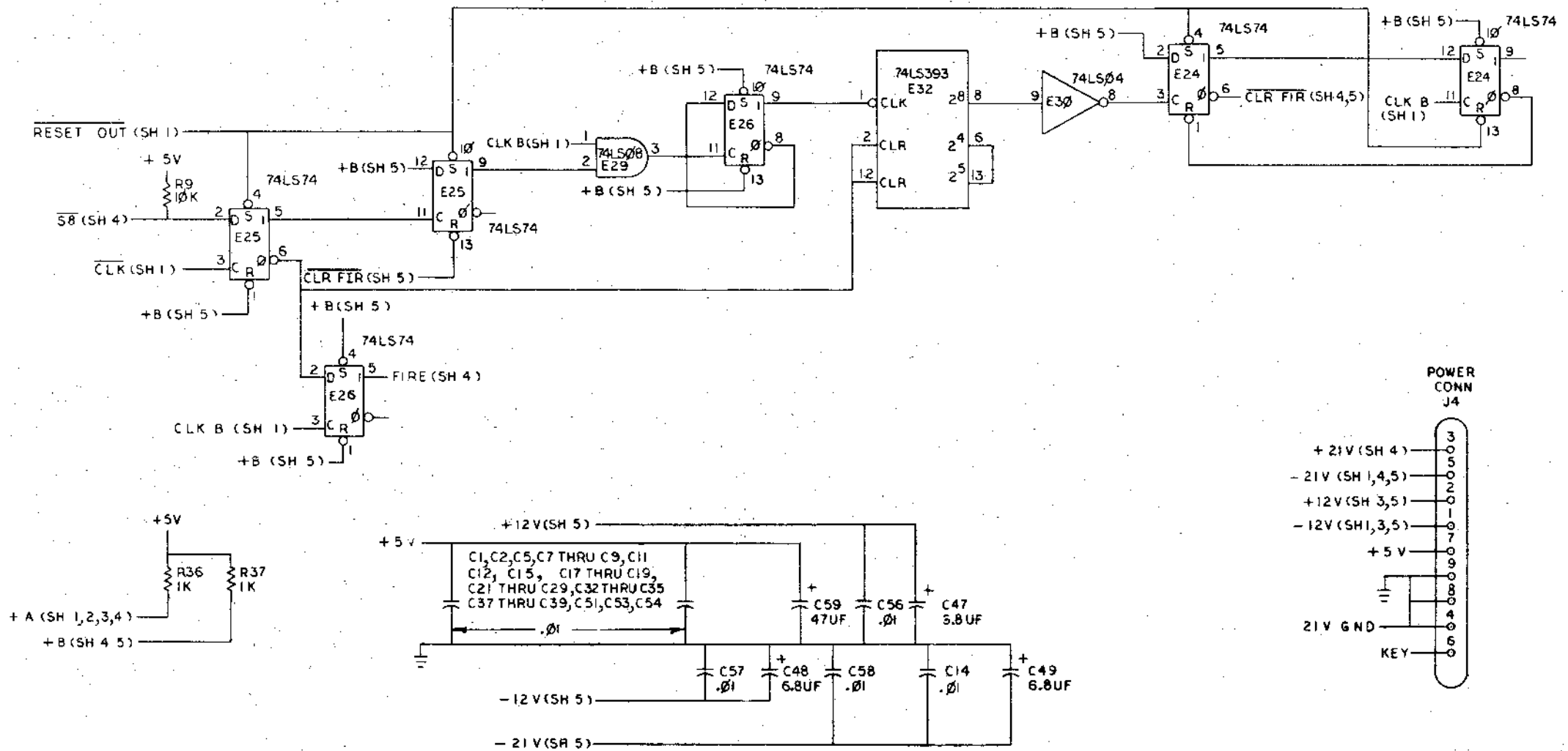


REVISIONS		
CHK	CHANGE NO.	REV.

TITLE	LA34 LOGIC BOARD	SIZE CODE	D	NUMBER	CS 5413374-0-1	REV.	Y
SCALE	++	SHEET	4	OF	5	DIST.	

"THIS DRAWING AND SPECIFICATIONS HEREIN ARE THE PROPERTY OF DIGITAL EQUIPMENT CORPORATION AND SHALL NOT BE REPRODUCED OR COPIED OR USED IN WHOLE OR IN PART AS THE BASIS FOR THE MANUFACTURE OR SALE OF ITEMS WITHOUT WRITTEN PERMISSION. COPYRIGHT © 1978 DIGITAL EQUIPMENT CORPORATION"

NOTE:
IC'S E24, E25, 26, E32 AND R37 NOT INSTALLED.



REVISIONS		
CHK	CHANGE NO.	REV.

TITLE	L34 LOGIC BOARD	SIZE CODE	DCS	NUMBER	5413374-0-1	REV.	Y
SCALE	1:1	SHEET	5	OF	5	DIST.	

REV. Y
DCS 5413374-0-1

REV
ANUMBER
5413284-0SIZE
B
CODE
DD

DRAWING NO.	NO. OF SHTS.	PART NO.	DESCRIPTION	REVISIONS																	
				*	*	*	*	*	*	*	*	*	*	*	*						
B-DD-5413284-0	1		MODULE REVISION LA34 KEYBOARD MODULE	*	*																
D-UA-5413284-0-0	3		LA34 KEYBOARD MODULE	D	E																
D-MD-5013283-0-0	4		DRILL & ETCH DRAWING	D	D																
D-CS-5413284-0-1	1		LA34 KEYBOARD MODULE	D	E																
		5013283	ETCHED BOARD	E	E																
K-PL-5413284-0-DBP	-		PARTS LIST DATA BASE(5413284)	D	E																
K-PC-5413284-0-DBG	-		P.C. DESIGN DATA BASE (5413284)	A	A																

NOTES:

REVISIONS	
DATE	CHG NO.
NOV 78	PN-001
	A

"THIS DRAWING AND SPECIFICATIONS, HEREIN, ARE THE PROPERTY OF DIGITAL EQUIPMENT CORPORATION AND SHALL NOT BE REPRODUCED OR COPIED OR USED IN WHOLE OR IN PART AS THE BASIS FOR THE MANUFACTURE OR SALE OF ITEMS WITHOUT WRITTEN PERMISSION.
COPYRIGHT© 1978 DIGITAL EQUIPMENT CORPORATION



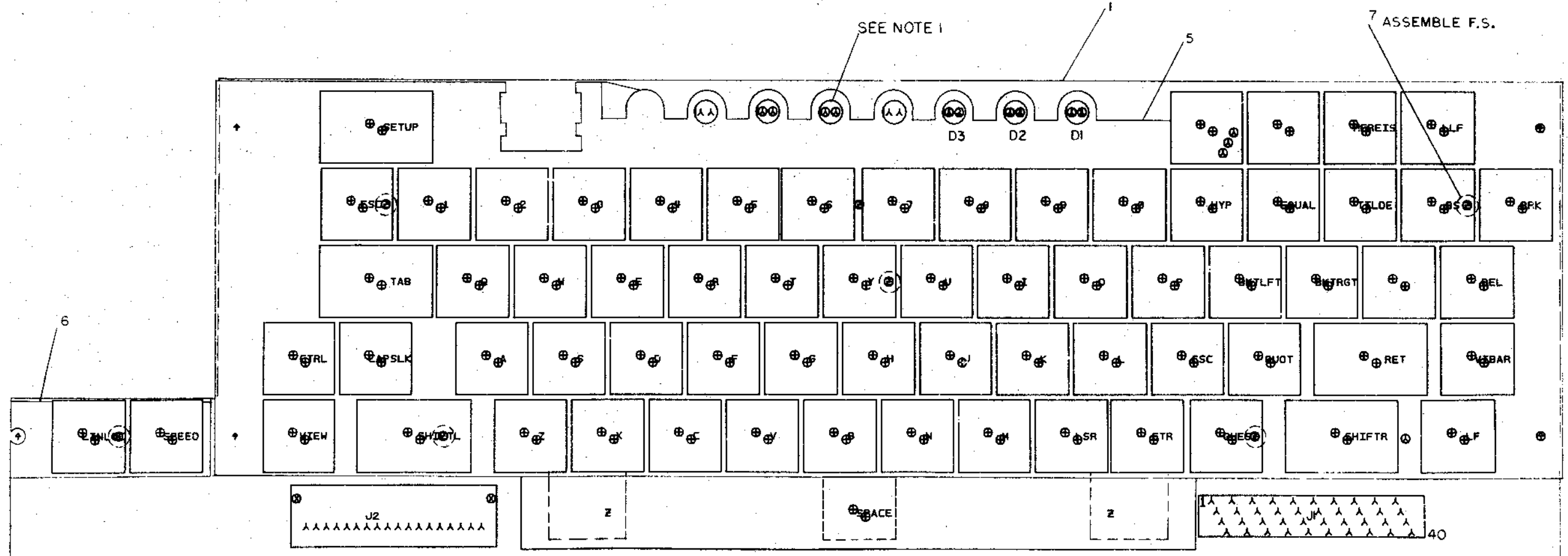
USED ON OPTION/MODEL	DRN.	P. BOSSMAN	7/7/78	TITLE	
LA34	CHK'D	P. Bossman	10 Jul 78	LA34 KEYBOARD MODULE	
	ENG.	B. Donohue	10 Aug 78		
	PROD.	K. Dekker	8/10/78		
	SIZE	CODE	NUMBER	REV.	
	B	DD	5413284-0	A	
SHEET 1 OF 1					

DRB 128

PN

THIS DRAWING AND SPECIFICATIONS, HEREIN, AND THE
 PROPERTY OF DIGITAL EQUIPMENT CORPORATION. IT IS TO
 BE KEPT IN CONFIDENCE AND NOT TO BE REPRODUCED
 OR TRANSMITTED IN ANY MANNER OR BY ANY MEANS
 WITHOUT THE WRITTEN PERMISSION OF DIGITAL EQUIPMENT
 CORPORATION. JULY 1970 - DIGITAL EQUIPMENT CORPORATION

COMPONENT SIDE VIEW



NOTES: 1. D4 THRU D7 ARE NOT USED.

CHK CHANGE NO	REV
2/21	FA33PAP001 E

ETCH REV. E
P.C. DESIGN DATA BRDSE REV. E1

SIGNATURES		DATE	digital
DRN. M. B. Gray		6-6-70	
CHK'D. B. E. ...		2-10-70	
ENG. B. D. ...		10-10-70	
PROD. ENG. ...		10-10-70	
SCALE 2/1	TITLE		
SHT. 1 OF 3	LA 34 KEYBOARD MOD		
NEXT HIGHER ASSY. B-00-5413284-0-0	SIZE CODE	NUMBER	REV
	d UA 5413284-0-0 E		

8

7

6

5

4

3

USE DIGITAL EQUIPMENT CORPORATION'S RECOMMENDED PRACTICES FOR THE DESIGN AND MANUFACTURE OF PRINTED CIRCUIT BOARDS. THIS DOCUMENT IS NOT TO BE USED AS A BASIS FOR THE MANUFACTURE OF PRINTED CIRCUIT BOARDS WITHOUT WRITTEN PERMISSION FROM DIGITAL EQUIPMENT CORPORATION. ©1978

L1

5013283E 5413284

SIDE 1



1 18 J2

D7 D6 D5 D4 D3 D2 D1

CS*ABCDEFHJ
40 J1

L1

5013283E 5413284

SIDE 1



1 18 J2

D7 D6 D5 D4 D3 D2 D1

CS*ABCDEFHJ
40 J1

REV		DATE		BY		CHKD		APP'D		TITLE		PART NO.		SHEET		REV	
										LA34 KEYBOARD MODULE		DUA 5413284-0-0		2 of 3		E	
8	7	6	5	4	3	2	1										

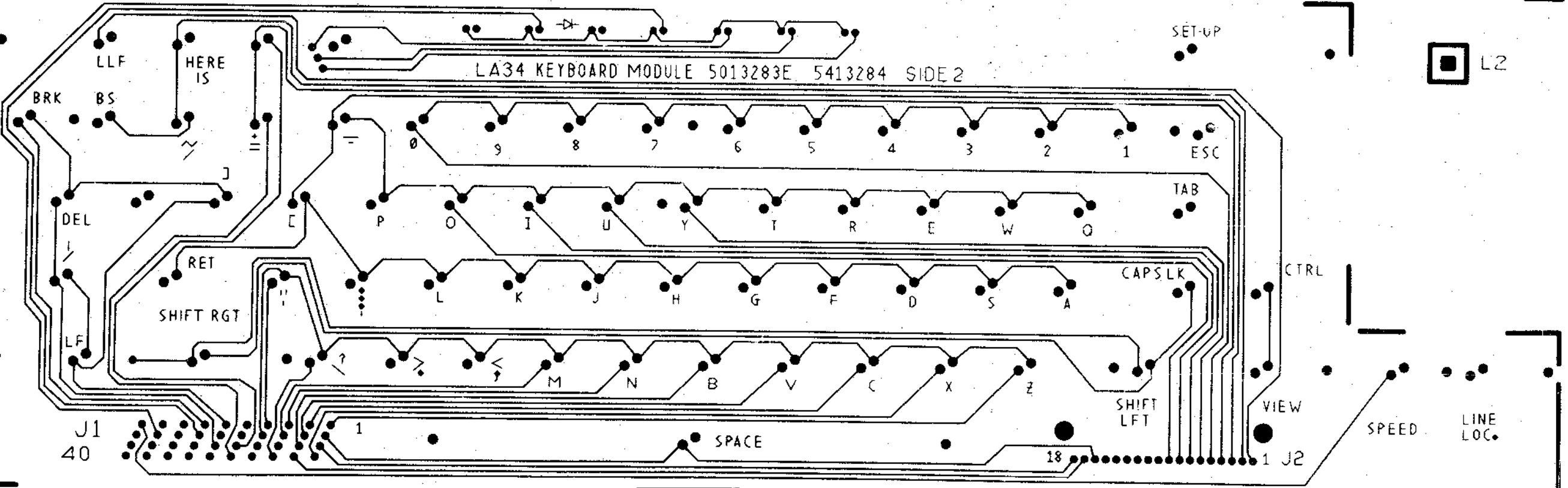
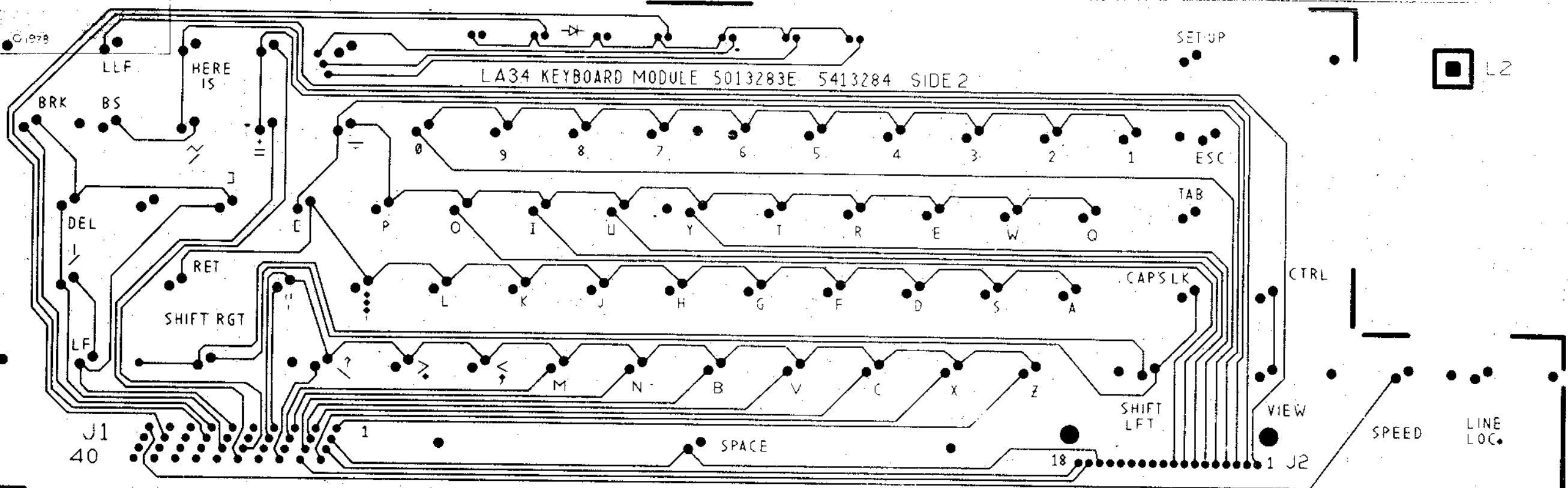
8

7

6

5

4 3 2 1



8

7

6

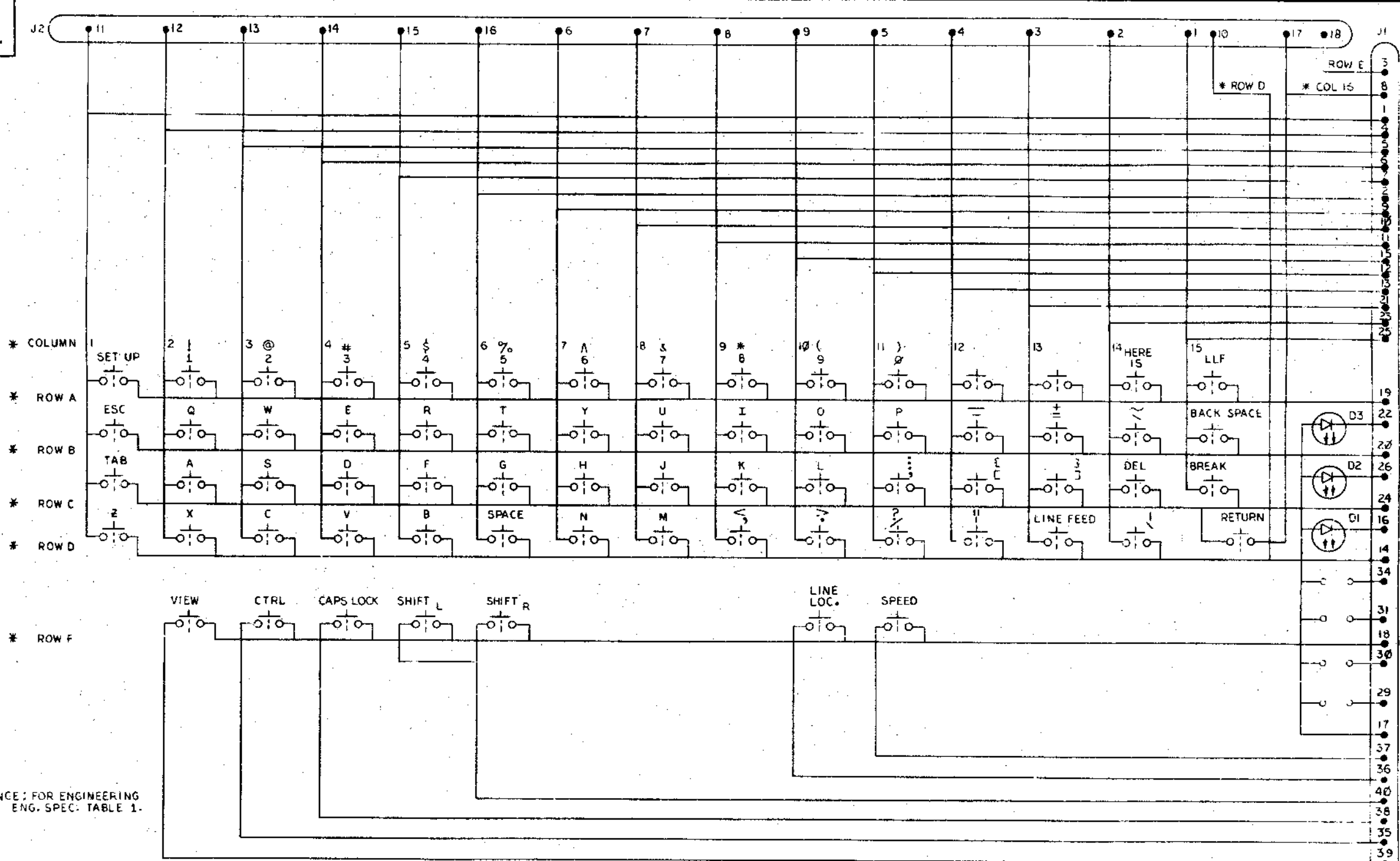
5

4 3 2 1

LINE	ITEM	DOCUMENT NUMBER	PART NUMBER	DESCRIPTION	QTY	REFERENCE DESIGNATOR
1	1		5013283-00	ETCH BOARD FOR 5413284	1	
2	2		1110864-00	LED 2MCD810MA	3	D1-D3
3	3		1210073-00	CONN 40POS INSUL PIERCING	1	J1
4	4		1215324-01	CONN 18POS GOLD PLATED	1	J2
5	5		7013910-00	KEYBOARD ARRAY ASSY	1	
6	6		7015527-00	OPERATOR SWITCH ASSY	1	
7	7		9010033-00	SCREW,PAN,PHILLIPS, 4-24 X 3/8	6	

REVISION HISTORY			SECTION 1 OF 1	RESP, ENG.:	DATE:	DIGITAL			
ENG:	ECD NUMBER	REV	SECTION, VARIATION INDEX	MADE BY:	DATE:	TITLE PARTS LIST			
---	INIT	10		M, RIPLEY	17-MAY-78	LA34 KEYBOARD MODULE			
1LG	5413284-PN001	E	1.00	CHECKED: B, DONOHUE	22-JUN-78	SIZE CODE DOCUMENT NUMBER REV			
			2.	DSN, ENG.:	22-JUN-78	K	PL	5413284-0-DBP	E
			3.	PROD.:	22-JUN-78	PART NUMBER: 5413284			
			4.	ASSEMBLY NUMBER: D-UA-5413284-0-0		EDIT #			
			5.			15			
			6.	*THIS DRAWING AND SPECIFICATIONS HEREIN, ARE THE PROPERTY OF DIGITAL EQUIPMENT CORPORATION AND SHALL NOT BE REPRODUCED OR COPIED OR USED IN WHOLE OR IN PART AS THE BASIS FOR THE MANUFACTURE OR SALE OF ITEMS WITHOUT WRITTEN PERMISSION. COPYRIGHT 1978, DIGITAL EQUIPMENT CORPORATION *					
			7.						
			8.						
			9.						
			10.						
			11.						
			12.						

THIS DRAWING AND SPECIFICATIONS, HEREIN, ARE THE PROPERTY OF DIGITAL EQUIPMENT CORPORATION AND SHALL NOT BE REPRODUCED OR COPIED IN WHOLE OR IN PART WITHOUT THE WRITTEN PERMISSION OF SAID CORPORATION © 1978, DIGITAL EQUIPMENT CORPORATION



NOTE:
1. * REFERENCE: FOR ENGINEERING USE, SEE ENG. SPEC. TABLE 1.

REV.	DATE	BY	CHK'D
1	5/13/78	J. B. TO	
2			

DRN	LA34	FIRST USED ON	LA34
CHK'D		TITLE	LA34
ENG.		KEYBOARD MODULE	
PROJ. ENGR.		SIZE	D
PROOF		CODE	CS
NEXT HIGHER ASSY.		NUMBER	5413284-0-1
D-BE-5413284-0		REV	E
SCALE		SHEET	1
SHEET	OF	DIST.	

"THE MATERIAL HEREIN IS FOR INFORMATION PURPOSES ONLY AND IS SUBJECT TO CHANGE WITHOUT NOTICE. DIGITAL EQUIPMENT CORPORATION ASSUMES NO RESPONSIBILITY FOR ANY ERRORS WHICH MAY APPEAR HEREIN."

FIELD MAINTENANCE PRINT SET

"THIS DRAWING AND SPECIFICATIONS, HEREIN, ARE THE PROPERTY OF DIGITAL EQUIPMENT CORPORATION AND SHALL NOT BE REPRODUCED, OR COPIED OR USED IN WHOLE OR IN PART AS THE BASIS FOR THE MANUFACTURE OR SALE OF ITEMS WITHOUT WRITTEN PERMISSION. COPYRIGHT © 1978 DIGITAL EQUIPMENT CORPORATION."

TABLE OF CONTENTS

A-SP-H7834-0-2	ENGINEERING SPECIFICATION
E-UA-H7834-0-0	POWER SUPPLY (H7834)
D-UA-5413325-0-0	POWER SUPPLY (LA34)
D-CS-5413325-0-1	POWER SUPPLY (LA34)
K-PL-5413325-0-DBP	DATA BASE PARTS LIST

UNIT VARIATIONS COVERED BY THIS PRINT SET
H7834

**H7834
Field Maintenance
Print Set**

**Digital Equipment
Corporation**

PRINT SET ORDER NO. MP00702

REVISIONS	DATE	CHG. NO.	REV	USED ON OPTION/MODEL	DRN.	DATE	TITLE:	SIZE	CODE	NUMBER	REV.
				H7834	W. J. MAHER	28 SEP 78	POWER SUPPLY (H7834)	B	TC	H7834-0-1	
				LA34	CHK'D	DATE					
					Briglam	29-9-78					
					PROJ. ENG.	DATE					
					J. J. Bunker	10/19/78					
					R. M. Mocking	19 OCT 78					
					FIELD SERV.	DATE		DIST.			
					R. M. Mocking	19 OCT 78					
				SHEET 1 OF 1							



REV. REV. H-7834-0-1
NUMBER H-7834-0-1
CODE TC
SIZE B

DIGITAL EQUIPMENT CORPORATION MAYNARD, MASSACHUSETTS		DATE June, 1978	
ENGINEERING SPECIFICATION			
TITLE H7834 POWER SUPPLY			
REV	DESCRIPTION	CHG NO	ORIG
DATE	APPD BY	DATE	DATE

ENG Ralph MacKenzie	APP'D <i>Ralph A. MacKenzie</i>	SIZE CODE	NUMBER	REV
DEC 1978		A SP	H7834-2-2	1
SHEET 1 OF 9				

ENGINEERING SPECIFICATION		CONTINUATION SHEET	
TITLE H7834 POWER SUPPLY			
1.0 Characteristics			
1.1 Performance			
1.1.1 Inputs			
The module shall perform as specified herein when supplied with the inputs described in the following paragraphs.			
1.1.1.1 Voltage			
The AC input voltage shall be one phase, two wire, switch selectable in two ranges: 87 - 128 VRMS 174 - 256 VRMS			
1.1.1.2 Frequency			
The frequency of the AC input voltage shall be 47 - 63 Hz.			
1.1.1.3 Current			
The input current shall be as follows: 1.3 A RMS maximum at 87 VRMS 0.7 A RMS maximum at 174 VRMS			
1.1.1.4 Inrush Current			
The input inrush current shall be as follows: 50A peak for 1/2 cycle at 128 VRMS 50A peak for 1/2 cycle at 256 VRMS			
1.1.1.5 Power			
The input power shall be 65 watts maximum. Apparent input power shall be 110 VA maximum.			
1.1.1.6 Power Factor			
The power factor shall be 0.6 minimum at full load and 87 VRMS.			
1.1.1.7 Leakage Current			
When installed in the LA34 terminal rise leakage current shall be 0.5 MA RMS max each line to ground at 250V RMS a/c, 30 Hz.			
DEC FORM NO EN-0102-16 (12/78/181)		SHEET 2 OF 9	

ENGINEERING SPECIFICATION		CONTINUATION SHEET	
TITLE H7834 POWER SUPPLY			
1.1.1.8 Overcurrent			
The input overcurrent protection is provided by a user accessible 1A normal blow fuse.			
1.1.1.9 Electromagnetic Interference/Susceptibility			
When installed in the LA34 the conducted or radiated interference/susceptibility shall be as follows:			
1.1.1.9.1 Conducted Transients			
System degradation shall not be caused by a single 300V, 0.2 watt sec. maximum voltage transient. Survival level for a single voltage transient shall be 1000V at 2.5 watt-sec max. Survival level for an average power transient shall be 0.5W maximum.			
1.1.1.9.2 Conducted CV Noise			
Conducted CV noise shall not exceed the following: 10 KHz to 3 MHz 3VRMS max. 1 MHz to 500 MHz 1VRMS max. 500 MHz to 1 GHz 0.5VRMS max.			
1.1.1.9.3 RF Field Susceptibility			
The following RF fields shall not cause system degradation (with the power supply installed in the terminal): 10 KHz to 30 MHz 3V/M max. 30 MHz to 1 GHz 10V/M max.			
1.1.1.10 Power Line Disturbances			
With the module installed in the terminal, the performance with power line disturbances shall be as follows:			
1.1.1.10.1 Overvoltage			
The H7834 power supply shall withstand for one second 110% of the rated maximum input voltage specified in 1.1.1.1 without causing system degradation or damage.			
DEC FORM NO EN-0102-16 (12/78/181)		SHEET 3 OF 9	

ENGINEERING SPECIFICATION		CONTINUATION SHEET	
TITLE H7834 POWER SUPPLY			
1.1.1.10.2 Undervoltage			
The H7834 power supply module shall withstand undervoltage and power interruptions without sustaining damage or causing damage to the LA34.			
1.1.1.10.3 Ride Through			
At 87VRMS input and full load, all outputs shall remain within their specified limits for 20 millisecond minimum.			
1.1.1.11 Electromagnetic Interference			
With the module installed in the terminal, the conducted and radiated emissions level shall be as follows:			
1.1.1.11.1 Conducted Emission			
The conducted emissions shall satisfy the VDE A limit.			
1.1.1.11.2 Radiated Emissions			
The radiated emissions shall satisfy the VDE A limit.			
1.1.1.12 Dielectric Withstanding			
With the AC power disconnected the module shall withstand the application of the following high voltage direct current levels without damage or arcing. 1.1.1.12.1 Input to Frame The module shall withstand 2.5 KV DC from input to frame for one minute.			
1.1.1.12.2 Input to Output The module shall withstand 2.5 KV DC from input to output for one minute.			
DEC FORM NO EN-0102-16 (12/78/181)		SHEET 4 OF 9	

ENGINEERING SPECIFICATION		CONTINUATION SHEET	
TITLE: H7834 POWER SUPPLY			
1.1.2 OUTPUTS			
The models shall provide outputs as defined in the following paragraphs. All outputs are defined at the output connector J2.			
1.1.2.1 Currents			
The output currents shall meet the requirements of a single LA00 terminal.			
+5.1 VDC at 0.5A minimum to 1.0A maximum			
+12 VDC at 0.02A minimum to 0.2A maximum			
-12VDC at 0.02A minimum to 0.2A maximum			
-21 VDC at 0A minimum to 1.0A maximum			
-21 VDC at 0.1A minimum to 1.0A maximum			
The total average power from the +21V and -21V outputs is limited to 21 watts.			
1.1.2.2 Voltages			
The output voltages shall have the following tolerances under the specified loads.			
1.1.2.2.1 +5.1 volt Output			
The +5.1 volt output shall have the following characteristics as measured at Pin 3 (Pin 2 return) of J2:			
a) Overall regulation: $\pm 5\%$			
b) Initial tolerance: $\pm 1\%$			
c) Static line regulation: $\pm 0.5\%$			
d) Static load regulation: $\pm 1.5\%$			
e) Long term stability: $\pm 0.1\%/1000$ hrs.			
f) Thermal drift: $-0.01 \pm .01\%/^{\circ}\text{C}$			
g) Ripple: 200 mV p-p max for $f \leq 20$ KHz			
h) Noise: 200 mV peak to peak at 85 100 KHz			
i) Dynamic load regulation: TBDL			
1.1.2.2.2 -21 Volt Output			
The -21 volt output shall have the following characteristics as measured at Pin 7 (Pin 6 return) of J2:			
a) Overall regulation: $\pm 10\%$			

DEC FORM NO EN-00021-10-70 (101)
DRA 108

SIZE	CODE	NUMBER	REV
A	SP	H7834-B-2	9

SHEET 3 OF 9

ENGINEERING SPECIFICATION		CONTINUATION SHEET	
TITLE: H7834 POWER SUPPLY			
1.1.2.2.2 (continued)			
b) Initial tolerance: $\pm 3\%$			
c) Static line regulation: $\pm 0.5\%$			
d) Static load regulation: $\pm 1\%$			
e) Long term stability: $\pm 0.1\%/1000$ hrs.			
f) Thermal drift: $-0.05 \pm .05\%/^{\circ}\text{C}$			
g) Ripple: 200 mV p-p max for $f \leq 20$ KHz			
h) Noise: 1X peak at $f \leq 100$ KHz			
i) Dynamic load regulation: $\pm 3.5\%$ based upon any one of the following load conditions			
1) $2 \pm 0.25A$ load switched at 50% duty cycle at a PRF of 5 to 500 Hz (minimum loading on -21V output during this time).			
2) Triangular pulsed load of $7 \pm 1A$ peak amplitude, average value of $3.5 \pm 0.25A$ pulse width of 1 ± 0.1 msec (± 0.1 msec @ base of triangle), and a PRF of 0 to 140 Hz (identical loading on -21V output during this time).			
3) Triangular pulsed load of $2 \pm 0.25A$ peak amplitude, average value of $1 \pm 0.1A$, pulse width of 1 ± 0.1 msec (at base of triangle), and a PRF of 0 to 500 Hz (identical loading on -21V output during this time).			
1.1.2.2.3 -21 Volt Output			
The -21 volt output shall have the following characteristics as measured at Pin 5 (Pin 6 return) of J2:			
a) Overall regulation: $\pm 10\%$			
b) Initial tolerance: $\pm 3\%$			
c) Static line regulation: $\pm 0.5\%$			
d) Static load regulation: $\pm 1\%$			
e) Long term stability: $\pm 0.1\%/1000$ hrs.			
f) Thermal drift: $-0.05 \pm 0.5\%/^{\circ}\text{C}$			
g) Ripple: 200 mV p-p maximum for $f \leq 20$ KHz			

DEC FORM NO EN-00021-10-70 (101)
DRA 108

SIZE	CODE	NUMBER	REV
A	SP	H7834-B-2	9

SHEET 6 OF 9

ENGINEERING SPECIFICATION		CONTINUATION SHEET	
TITLE: H7834 POWER SUPPLY			
1.1.2.2.3 (continued)			
h) Noise: 1X peak at $f \leq 100$ KHz			
i) Dynamic load regulation: $\pm 3.5\%$ based upon any one of the following load conditions			
1) $2 \pm 0.25A$ load switched at 50% duty cycle at a PRF of 5 to 500 Hz (minimum loading on +21V output during this time).			
2) Triangular pulse load of $7 \pm 1A$ peak amplitude, average value of $3.5 \pm 0.25A$, pulse width of 1 ± 0.1 msec (at base of triangle), and a PRF of 0 to 140 Hz (identical loading on +21V output during this time).			
3) Triangular pulsed load of $2 \pm 0.25A$ peak amplitude, average value of $1 \pm 0.1A$, pulse width of 1 ± 0.1 msec (at base of triangle) and a PRF of 0 to 500 Hz (identical loading on +21V output during this time).			
1.1.2.2.4 +12 Volt Output			
The +12 volt output shall have the following characteristics as measured at Pin 6 (Pin 1 return) of J2:			
a) Overall regulation: $\pm 5\%$			
b) Initial tolerance: $\pm 1\%$			
c) Static line regulation: $\pm 0.25\%$			
d) Static load regulation: $\pm 0.25\%$			
e) Long term stability: $\pm 0.2\%/1000$ hrs			
f) Thermal drift: $\pm .004\%/^{\circ}\text{C}$			
g) Ripple: 2.0 mV p-p max for $f \leq 20$ KHz			
h) Noise: 1X peak at $f \leq 100$ KHz			
i) Dynamic load regulation: TBDL			

DEC FORM NO EN-00021-10-70 (101)
DRA 108

SIZE	CODE	NUMBER	REV
A	SP	H7834-B-2	9

SHEET 7 OF 9

ENGINEERING SPECIFICATION		CONTINUATION SHEET	
TITLE: H7834 POWER SUPPLY			
1.1.2.2.5 -12 Volt Output			
The -12 volt output shall have the following characteristics as measured at Pin 9 (Pin 1 return) of J2:			
a) Overall regulation: $\pm 5\%$			
b) Initial tolerance: $\pm 3.5\%$			
c) Static line regulation: $\pm 0.2\%$			
d) Static load regulation: $\pm 0.7\%$			
e) Long term stability: $\pm 0.2\%/1000$ hrs.			
f) Thermal drift: $\pm .002\%/^{\circ}\text{C}$			
g) Ripple: 2.0 mV p-p max for $f \leq 20$ KHz			
h) Noise: 1X peak at $f \leq 100$ KHz			
i) Dynamic load regulation: TBDL			
1.1.2.3 Overload Protection			
Overload protection is provided for all outputs.			
1.1.2.3.1 +5V Output			
Current limit point: $3.5 \pm 0.3A$			
Short circuit current ($R \leq .050$ ohm): $2.0A$ maximum			
1.1.2.3.2 +21V Output			
Current limit point: $2.8 \pm 0.3A$			
Short circuit current ($R \leq .050$ ohm): $5.0A$ maximum			
1.1.2.3.3 -21V Output			
Current limit point: $2.8 \pm 0.3A$			
Short circuit current ($R \leq .050$ ohm): $6.0A$ maximum			
1.1.2.3.4 +12V Output			
Current limit point: $0.4 \pm 0.1A$			
Short circuit current: $0.65A$ maximum			

DEC FORM NO EN-00021-10-70 (101)
DRA 108

SIZE	CODE	NUMBER	REV
A	SP	H7834-B-2	9

SHEET 8 OF 9

ENGINEERING SPECIFICATION ENCLOSURE CONTINUATION SHEET

TITLE H7834 POWER SUPPLY

1.1.2.3.5 -12V Output

Current limit point: $0.4 \pm 0.1A$
 Short circuit current: 0.65A maximum

1.1.2.4 Overvoltage Protection

Overvoltage protection is provided for the +5.0V output.

Overvoltage limit point: $+5.4 \pm 0.1 VDC$

1.2 Environmental Conditions

The H7834 power supply module shall perform as specified herein when installed in the LA34 terminal under the following environmental conditions:

1.2.1 Ambient Temperature

- a) Operating: 0 to 40°C
- b) Non-operating: -40 to +85°C

1.2.2 Temperature Shock

1°C/sec

1.2.3 Humidity

Per DEC Standard 102 Class B and Paragraph 3.1 and 3.2

1.2.4 Shock

Per DEC Standard 102 Class B and Paragraph 5.1 and 5.2

1.2.5 Vibration

Per DEC Standard 102 Class and Paragraph 6.1 and 6.2

1.3 Design and Construction

Design and construction of the power supply module shall be in accordance with drawing E-UA-H7834-0-0 and this specification.

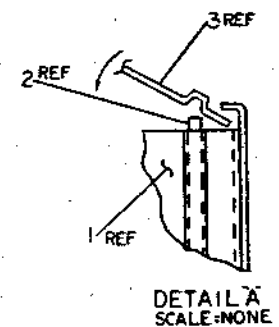
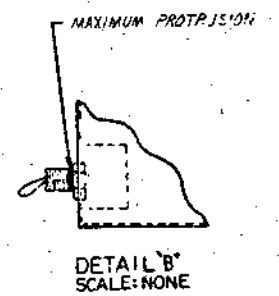
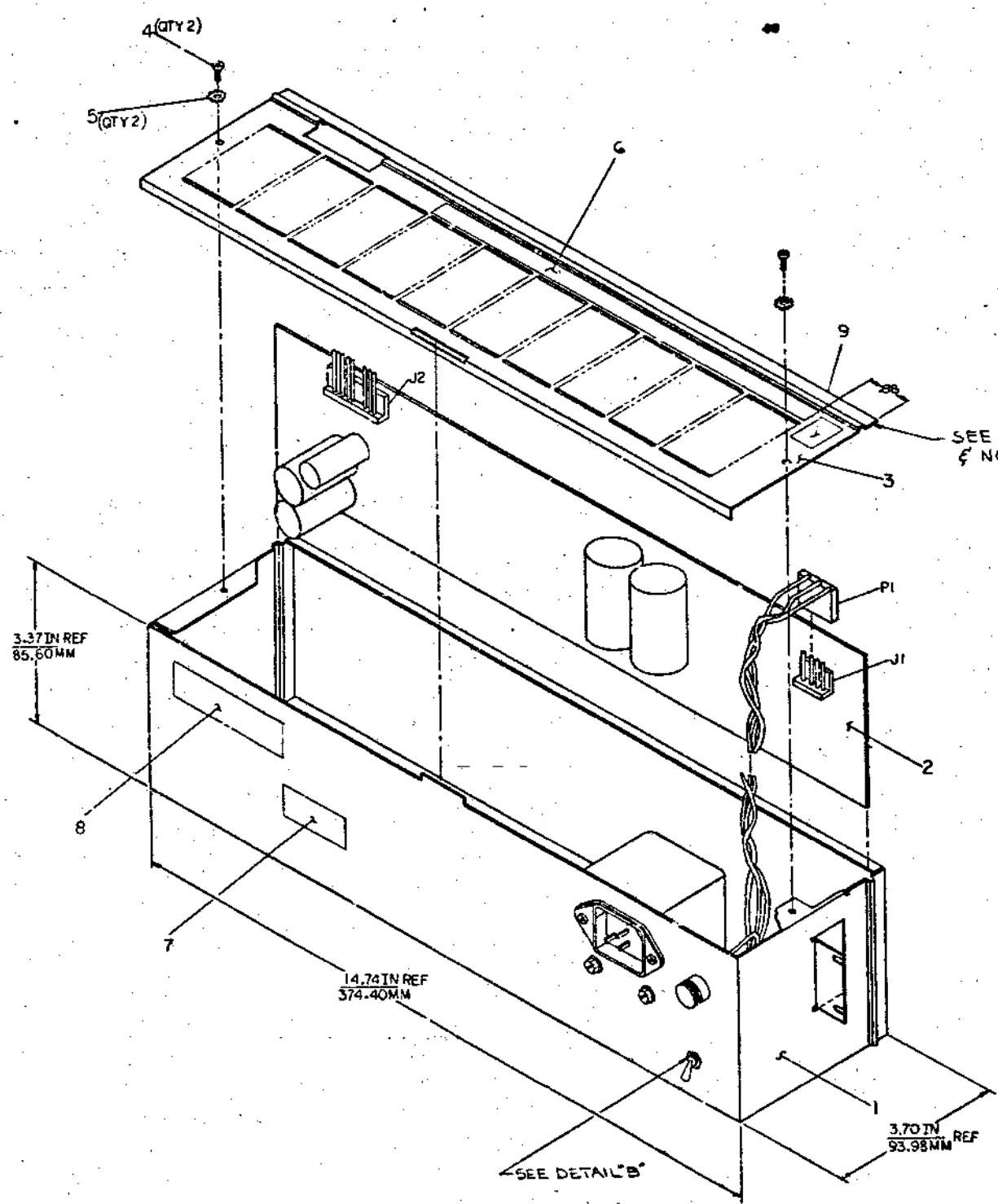
1.4 Operational Failure Rate

The calculated effective failure rate shall be $MCT 20 \times 10^{-6}$ failures per hour.

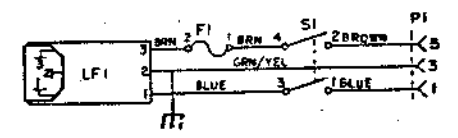
SIZE	CODE	NUMBER	REV
A	SP	H7834-3-2	

THIS DRAWING AND SPEC. IS TO BE USED AS THE BASIS FOR THE FABRICATION OF THE PARTS AND ASSEMBLY OF THE UNIT. THE MANUFACTURER SHALL BE RESPONSIBLE FOR THE PROPER INTERPRETATION OF THE DRAWING AND SPEC. AND FOR THE PROPER FABRICATION OF THE PARTS AND ASSEMBLY OF THE UNIT.

NOTES:
 1. WHEN ASSEMBLING COVER TO CHASSIS COVER MUST SLIP UNDER LIP ON CHASSIS AS SHOWN IN DETAIL 'A'.



SEE DETAIL 'A' & NOTE 1



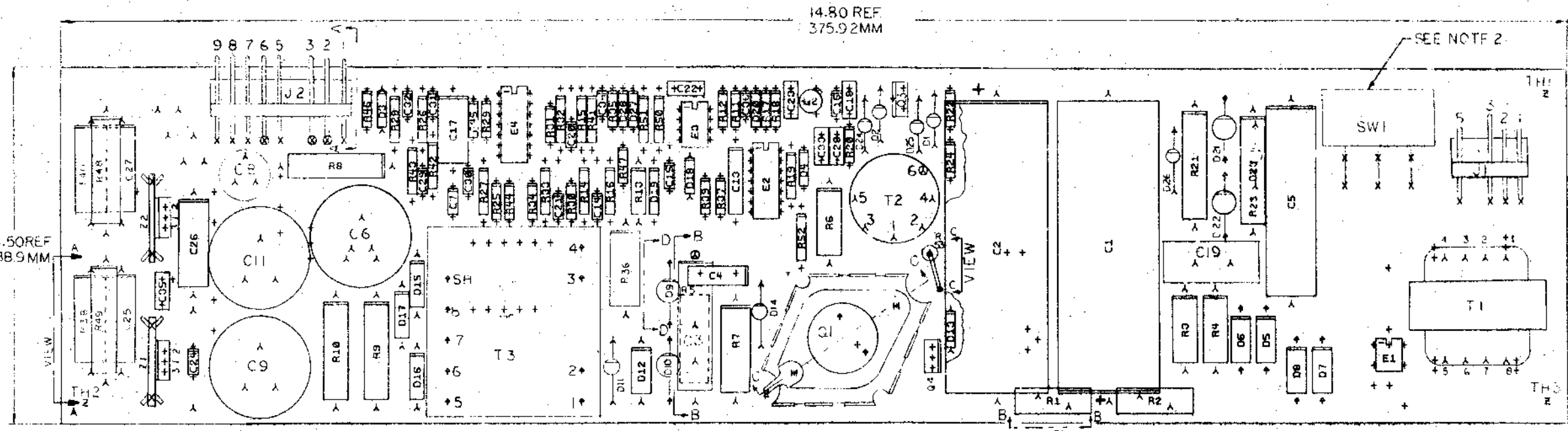
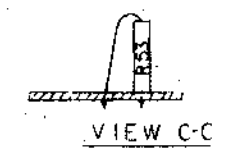
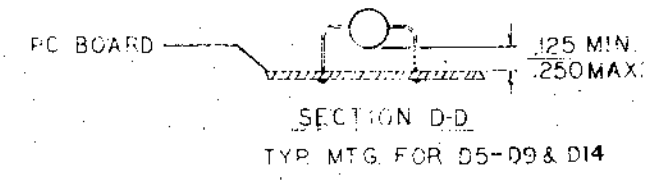
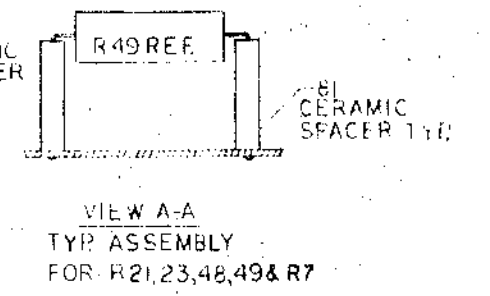
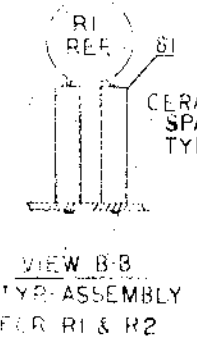
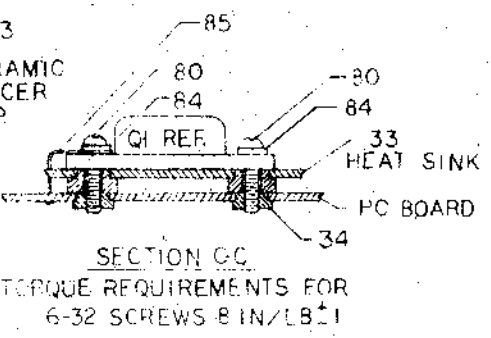
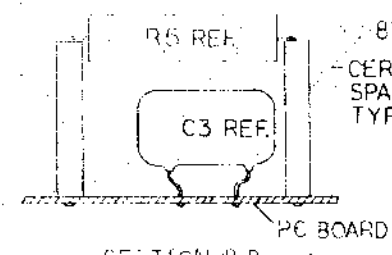
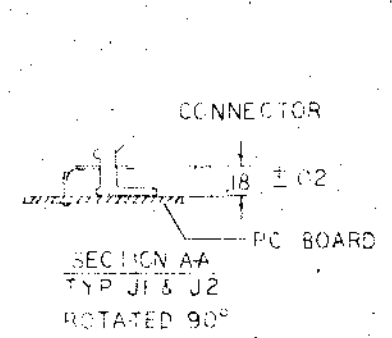
SEE K-PI-47834-0-DBP

1	COVER	1	1	1	1	1	1	1	1
2	CHASSIS	1	1	1	1	1	1	1	1
3	COVER PANEL	1	1	1	1	1	1	1	1
4	CHASSIS PANEL	1	1	1	1	1	1	1	1
5	CHASSIS COMPONENT	1	1	1	1	1	1	1	1
6	CHASSIS COMPONENT	1	1	1	1	1	1	1	1
7	CHASSIS COMPONENT	1	1	1	1	1	1	1	1
8	CHASSIS COMPONENT	1	1	1	1	1	1	1	1
9	CHASSIS COMPONENT	1	1	1	1	1	1	1	1
10	CHASSIS COMPONENT	1	1	1	1	1	1	1	1
11	CHASSIS COMPONENT	1	1	1	1	1	1	1	1
12	CHASSIS COMPONENT	1	1	1	1	1	1	1	1

QUANTITY & VARIATION	DATE	REV	BY	CHKD	APP'D	DATE	REV	BY	CHKD	APP'D	DATE
<p>POWER SUPPLY H7834</p>											
<p>SCALE: 1:1</p>											

THIS DRAWING AND SPECIFICATIONS, DRAWING AND THE
 PARTS LIST THEREON, ARE PROPERTY OF THE U.S. GOVERNMENT
 AND ARE LOANED TO YOU BY THE U.S. GOVERNMENT. IT IS TO BE
 USED FOR THE PURPOSES AND IN THE MANNER AND UNDER THE
 CONDITIONS SPECIFIED IN THE CONTRACT DOCUMENTS.
 IT IS TO BE RETURNED TO THE U.S. GOVERNMENT AT THE
 END OF THE PROJECT OR AT THE END OF THE CONTRACT PERIOD.
 IT IS TO BE KEPT IN THE ORIGINAL UNLESS OTHERWISE SPECIFIED.

COMPONENT SIDE VIEW



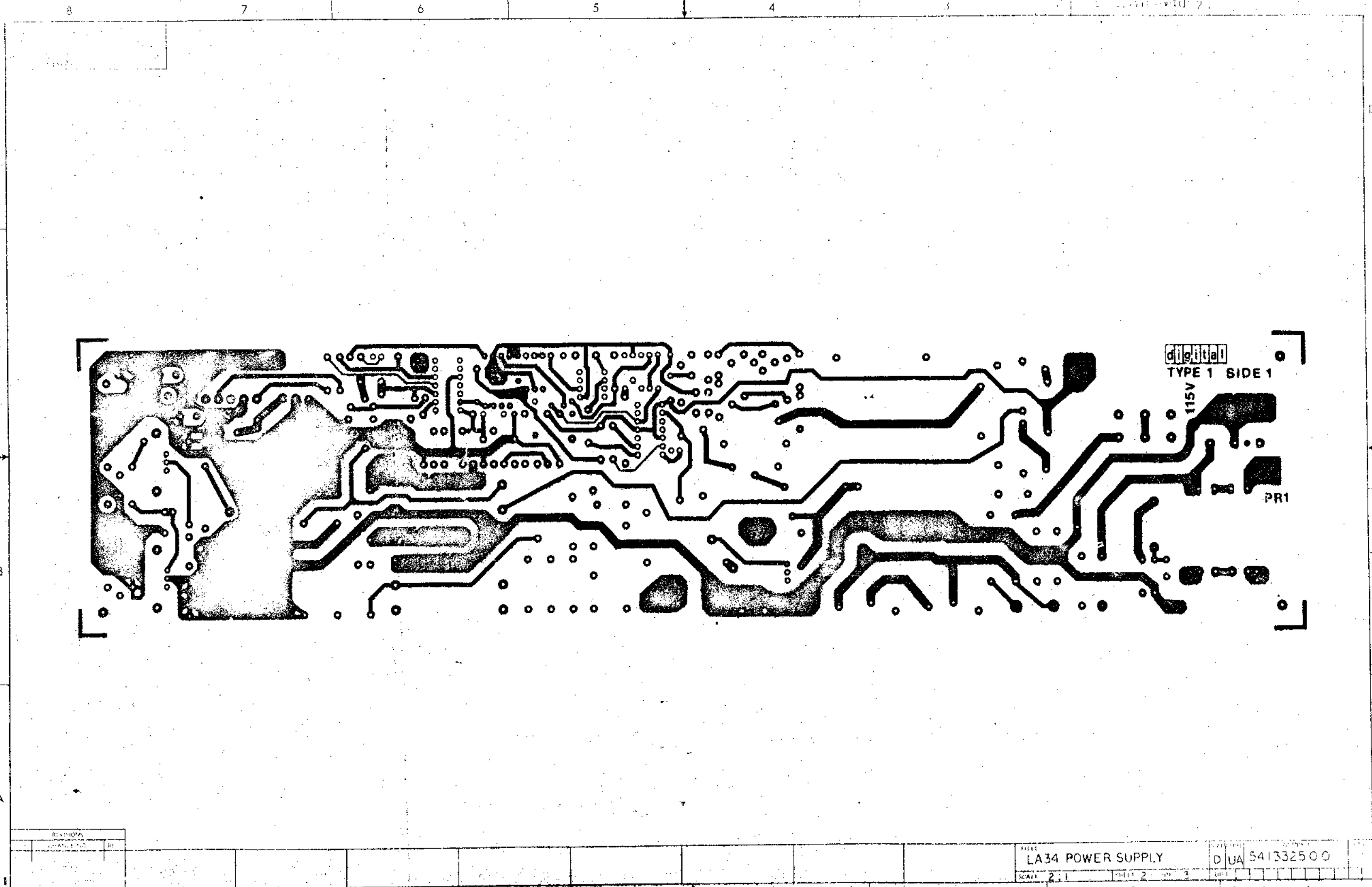
NOTES:
 1. THIS BOARD MUST MEET D/L REQ.
 2. SW1 MUST BE HAND INSERTED AND HAND
 SOLDERED AFTER WAVE SOLDER.

REVISION	NO	REV	DATE	BY	CHKD

NO	REV	DATE	BY	CHKD

SIGNATURES	DATE	TITLE	NO	REV
DRN. COSTA	1-29-78	LA 34		
CHKD. COSTA	1-29-78	POWER SUPPLY		
ENGR. RALPH M. MACKENZIE	1-5-78			
PROJ. ENGR. R. M. MCKENZIE	1-5-78			
PRCD. V. FROEXIAH	6-3-78			
SCALE 2:1				

digital
 TITLE LA 34
 POWER SUPPLY
 SIZE CODE NUMBER
 d UA 5413325-0-0
 REV



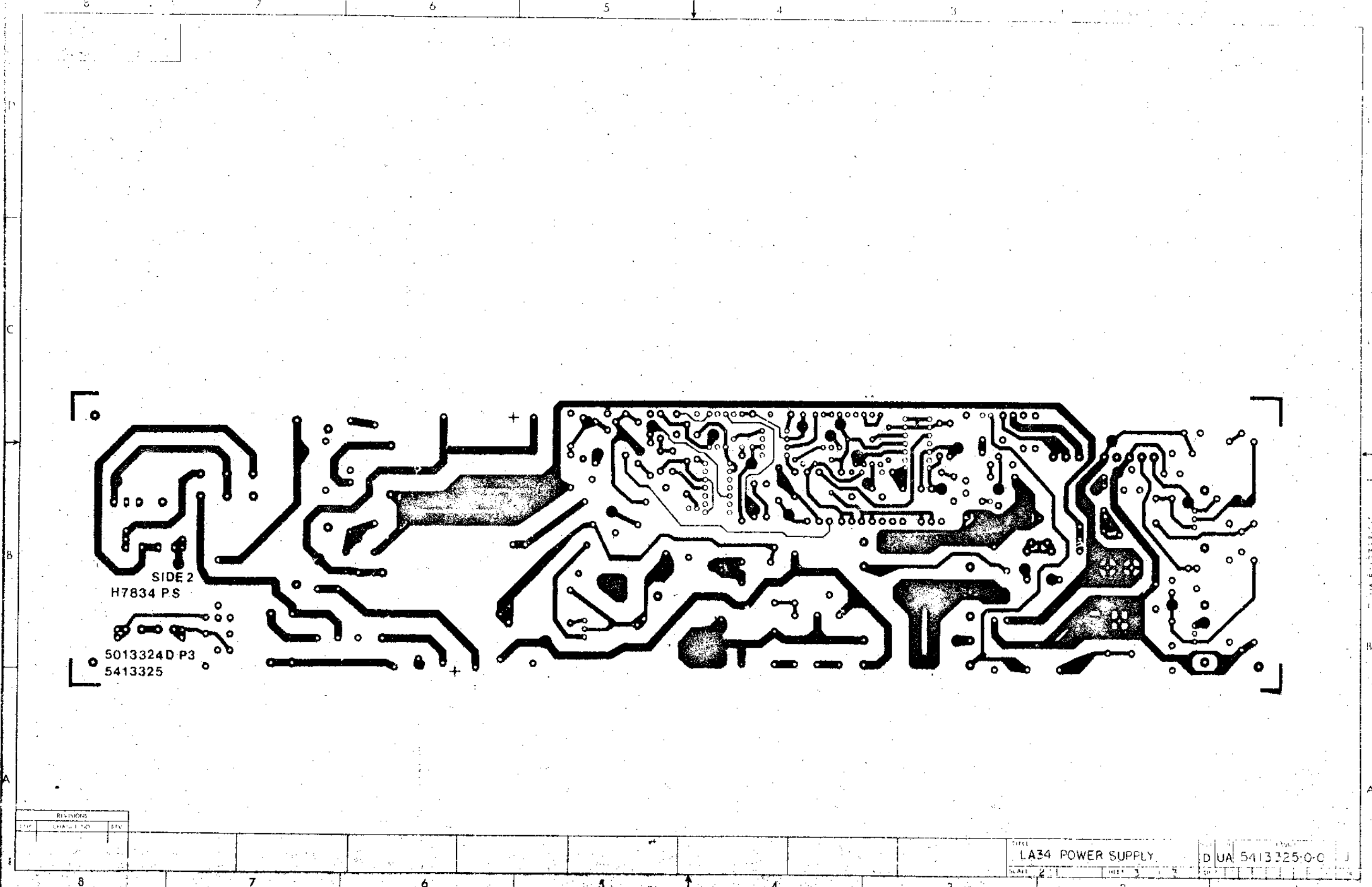
REVISIONS	
NO.	DESCRIPTION

FILE: LA34 POWER SUPPLY
SCALE: 2:1
REV: 2
DUA 541332500

DUA 541332500

B

A

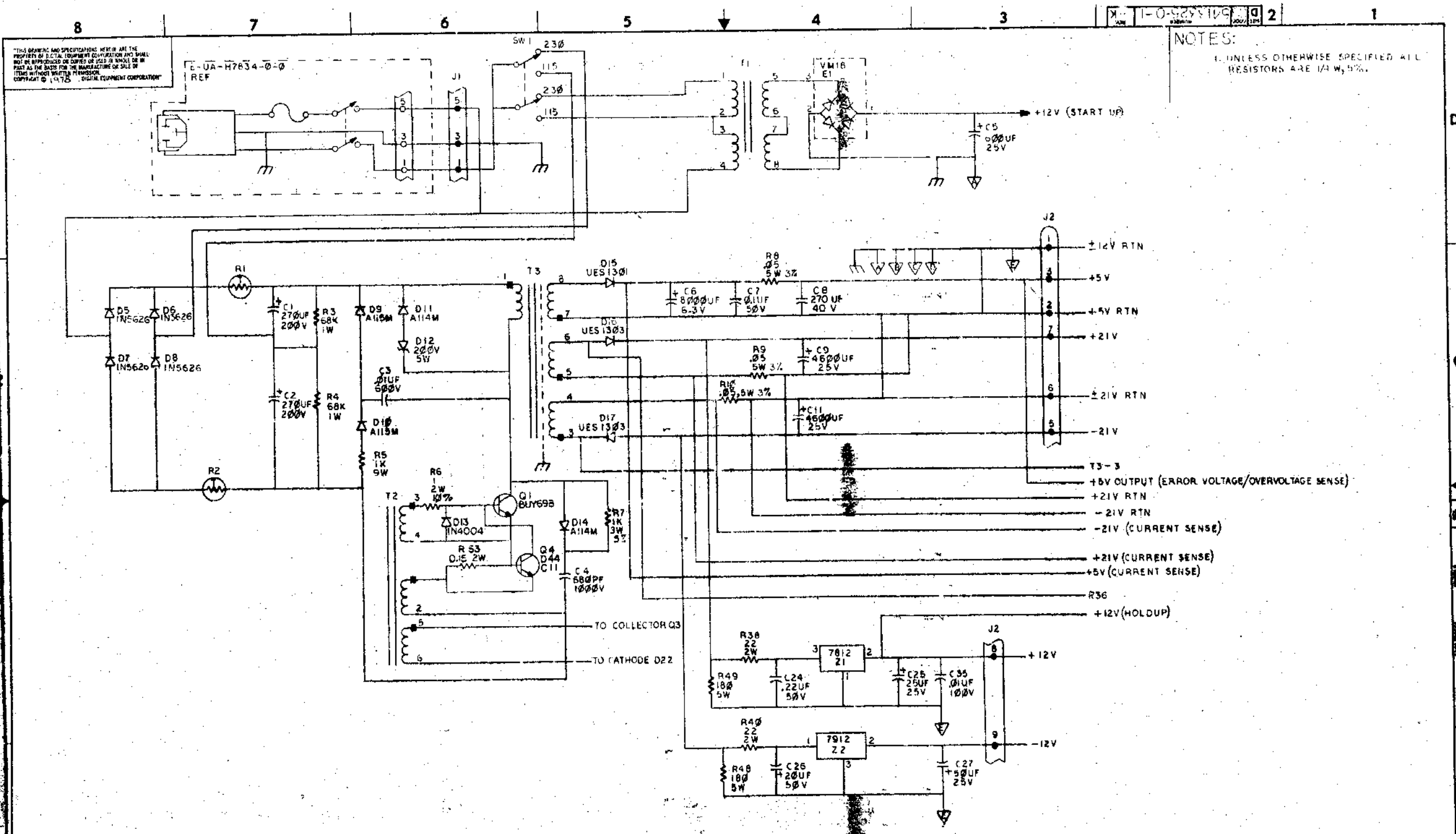


SIDE 2
H7834 PS

5013324D P3
5413325

REVISIONS		
NO.	DATE	BY

LA34 POWER SUPPLY
D UAI 5413 325-0-0



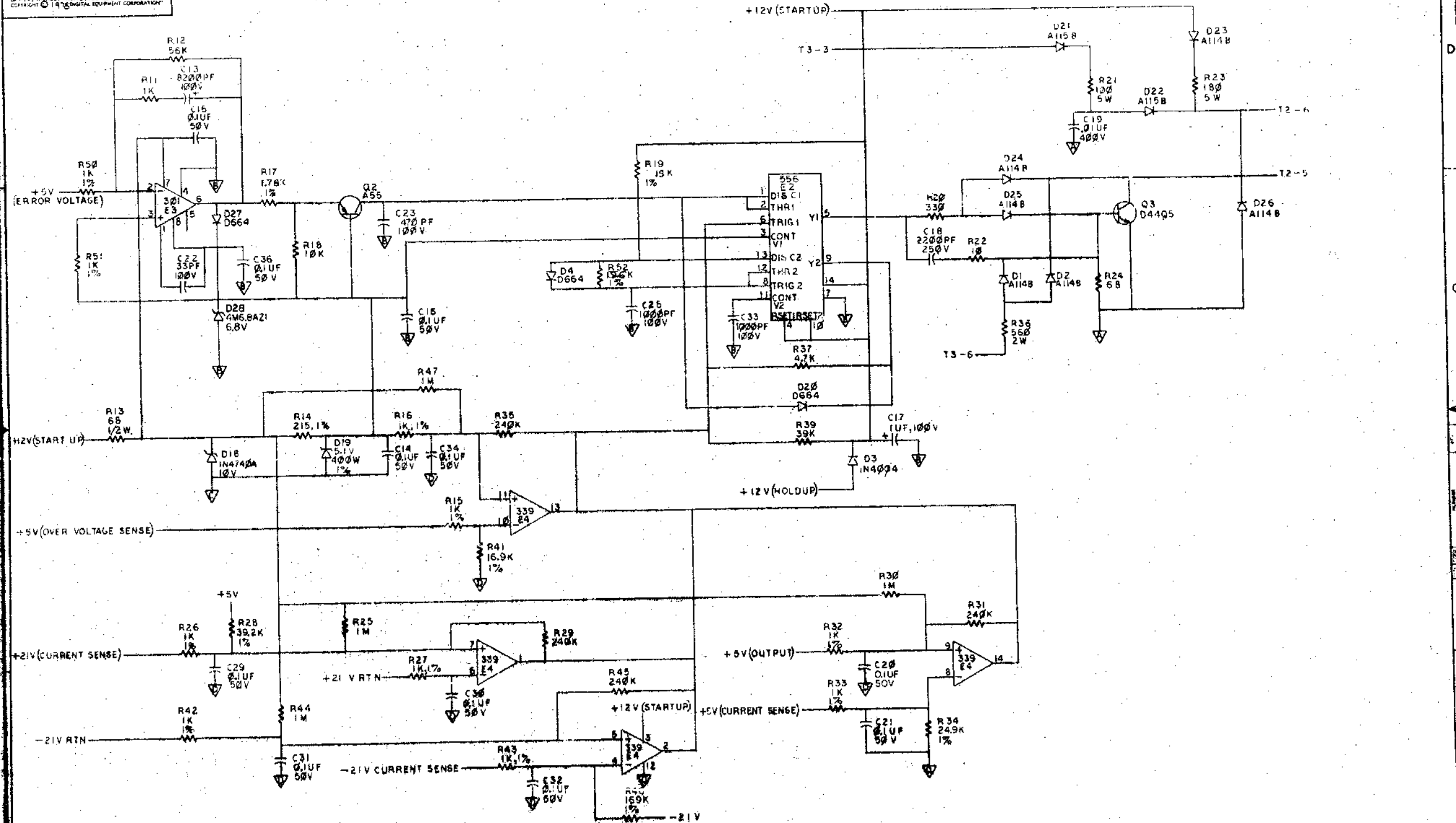
THIS DRAWING AND SPECIFICATIONS HEREIN ARE THE PROPERTY OF ELECTRONIC EQUIPMENT CORPORATION AND SHALL NOT BE REPRODUCED OR COPIED OR USED IN WHOLE OR IN PART AS THE BASIS FOR THE MANUFACTURE OR SALE OF ITEMS WITHOUT WRITTEN PERMISSION. COPYRIGHT © 1975 ELECTRONIC EQUIPMENT CORPORATION

NOTES:
1. UNLESS OTHERWISE SPECIFIED ALL RESISTORS ARE 1/4 W, 5%.

REV	DATE	BY	CHKD	DESCRIPTION
1	10/27/75	W. J. BITTO	J. BITTO	INITIAL DESIGN
2	11/10/75	W. J. BITTO	J. BITTO	REVISED FOR MANUFACTURE
3	11/10/75	W. J. BITTO	J. BITTO	REVISED FOR MANUFACTURE
4	11/10/75	W. J. BITTO	J. BITTO	REVISED FOR MANUFACTURE
5	11/10/75	W. J. BITTO	J. BITTO	REVISED FOR MANUFACTURE
6	11/10/75	W. J. BITTO	J. BITTO	REVISED FOR MANUFACTURE
7	11/10/75	W. J. BITTO	J. BITTO	REVISED FOR MANUFACTURE
8	11/10/75	W. J. BITTO	J. BITTO	REVISED FOR MANUFACTURE

DRN	1-0-5413325-0-0	SHEET	2	FIRST USED ON	LA34
CHKD	W. J. BITTO	DATE	11/10/75	TITLE	LA34 POWER SUPPLY
ENG	W. J. BITTO	DATE	11/10/75	PROJ. NO.	5413325-0-1
PROJ. ENG.	W. J. BITTO	DATE	11/10/75	REV	1
PROJ. MGR.	W. J. BITTO	DATE	11/10/75	SCALE	AS SHOWN
NEXT HIGHER ASSY.		SIZE	CODE	NUMBER	REV
1-0-5413325-0-0		D	ES	5413325-0-1	K2
SHEET	2	DIST.			

THIS DRAWING AND SPECIFICATIONS, HEREIN ARE THE PROPERTY OF DIGITAL EQUIPMENT CORPORATION AND SHALL NOT BE REPRODUCED OR COPIED OR MADE IN WHOLE OR IN PART AS THE BASIS FOR THE MANUFACTURE OR SALE OF ITEMS WITHOUT WRITTEN PERMISSION. COPYRIGHT © 1970 DIGITAL EQUIPMENT CORPORATION.



REVISIONS		
CHK	CHANGE NO.	REV.

TITLE LA34 POWER SUPPLY		SIZE/COORD DCS	NUMBER 5413325-0-1	REV. K
SCALE	SHEET 2 of 2	DIST.		

LINE	ITEM	DOCUMENT NUMBER	PART NUMBER	DESCRIPTION	QTY	PER VARIATION	REFERENCE DESIGNATOR
1	1	D-MD-5013324-0-0		LA34 POWER SUPPLY	1		
2	2		1000009-00	33.0 MMF 100V 55200PPM MICA	1		C22
3	3		1000043-00	1000.0 MMF 100V 52200PPM MICA	2		C28,C33
4	4		1000055-00	2200.0 MMF 250V 20% Y5S DISC	1		C18
5	5		1000061-00	.0082 MFD 100V 10% MYLR	1		C13
6	6		1000075-00	25 MFD 25V 175-10% AL EL	1		C25
7	7		1001610-01	.01 MFD 50/100V 180-20% DISC	1		C35
8	8		1001796-00	50 MFD 25V 175-10% AL EL	1		C27
9	9		1002839-00	20 MFD 50V 175-10% AL EL	1		C26
10	10		1005507-00	1 MFD 100V 150-10% AL EL	1		C17
11	11		1011847-01	.01 MFD 400V 10% POLYPROP	1		C19
12	12		1011847-02	.01 MFD 600V 10% POLYPROP	1		C3
13	13		1011849-01	600 MFD 25V 175-10% AL EL	1		C5
14	14		1013280-00	330.0 MMF 1000V 52200PPM MICA	1		C4
15	15		1014265-00	.22 MFD 50V 180-20% CER	1		C24
16	16		1014265-01	.1 MFD 50V 180-20% CER	12		C7,C14,C15,C16,C21,C29,C30,C31,C32,C34,C36,C20
17	17		1015466-00	3000 MFD 6.3V 175-10% AL EL	1		C6
18	18		1015377-00	4600 MFD 25V 175-10% AL EL	2		C9,C11
19	19		1015519-00	.270 MFD 200V 150-10% AL EL	2		C1,C2
20	20		1100114-00	D 664 QS75PCB PIV= 25V SP	3		D4,D20,D27
21	21		1105796-00	IN 4004 PIV=400 I= 1A D041 SP	2		D3,D13
22	22		1105873-00	4M5-1A21 VZ= 5.1 1% .400W	1		D19
23	23		1112594-01	A115R PIV=200 I= 3A	2		D21,D22
24	24		1112594-02	A115M PIV=600 I= 3A	2		D9,D10
25	25		1112595-01	A114R PIV=200 I= 1A	6		D1,D2,D23-D25,D26
26	26		1112595-02	A114M PIV=600 I= 1A	2		D11,D14
27	27		1113123-00	1.5K3200 VOLT.TRANS.SUPPRESS. 220	1		D12
28	28		1114377-00	IN 4740A VZ= 10.0 5% 1W	1		D18
29	29		1114893-00	UES1301 PIV= 50 I= 6A	1		D15

REVISION HISTORY		BASIC PART NO: 5413325		DRN:	R E JOSEPHSON	DATE:	21-FEB-78	INITIAL	
ENG:	ECO NUMBER	REV	SECTION A OF A	CHK'D:	T. SHETRAWSKI	DATE:	7-JUN-78	TITLE	PARTS LIST
	INIT	B	SECTION VARIATION INDEX						
JD	IPN001	C	[A] 00					H7834 POWER SUPPLY MODULE	
JB	IPN003	D	[B]						
JB	IPN002	E	[C]	DES.ENG:	RALP MACKENZIE	DATE:	7-JUN-78		
JB	IPN004	F	[D]						
JB	IPN005	H	[E]						
GC	IPN007	J	[F]	RESP.ENG.:	R MACKENZIE	DATE:	7-JUN-78	DOCUMENT NUMBER	
			[G]					SIZE/CODE/ NUMBER	REV
			[H]	MFG.ENG.:	DON BEVINS	DATE:	7-JUN-78	K PL 5413325-0-DBP	J
			[I]	ASSEMBLY NUMBER:		TOP DOCUMENT NUMBER:		FILE NAME:	EDIT #
			[J]	E-UA-5413325-0-0		B-DD-5413325-0-0		13325J.PLS	32

"THIS DRAWING AND SPECIFICATIONS HEREIN, ARE THE PROPERTY OF DIGITAL EQUIPMENT CORPORATION AND SHALL NOT BE REPRODUCED OR COPIED OR USED IN WHOLE OR IN PART AS THE BASIS FOR THE MANUFACTURE OR SALE OF ITEMS WITHOUT WRITTEN PERMISSION. COPYRIGHT (C) 1981. DIGITAL EQUIPMENT CORPORATION"

LINE	ITEM	DOCUMENT NUMBER	PART NUMBER	DESCRIPTION	QTY	PER VARIATION	REFERENCE DESIGNATOR
					00		
30	30		1115182-00	1N 5623 PIV=600 I=3A	4		D5-D8
31	31		1115272-00	UES1303 PIV=150 I=6A	2		D16,D17
32	32		1115369-00	VM 1B PIV=100 I=1A	1		E1
33	33		1213426-04	HEAT SINK TO 3 CLEAR ANODIZED	1		
34	34		1214789-00	INSERT, THREADED 6-32, BRASS, ELEC	2		
35	35		1215307-00	HEADER 9POS RIGHT ANGLE	1		J2
36	36		1215307-01	HEADER 5POS RIGHT ANGLE	1		J1
37	37		1216064-00	SW, LOCK 2P RIGHT ANGLE TER	1		SW1
38	38		1300219-00	.68.0 .25 W 5.0 % CC	1		R34
39	39		1300295-00	330.0 .25 W 5.0 % CC	1		R20
40	40		1300365-00	1.0 K .25 W 5.0 % CC	1		R11
41	41		1300447-00	4.70 K .25 W 5.0 % CC	1		R37
42	42		1300477-00	10.0 K .25 W 5.0 % CC	1		R18
43	43		1301317-00	10.0 .25 W 5.0 % CC	1		R22
44	44		1314675-00	1.0 K 3.0 W 5.0 % WW	1		R7
45	45		1301546-00	22.0 2.0 W 5.0 % CC	2		R38,R40
46	46		1301927-00	560.0 2.0 W 5.0 % CC	1		R36
47	47		1302395-00	56.0 K .25 W 5.0 % CC	1		R12
48	48		1302514-00	39.0 K .25 W 5.0 % CC	1		R39
49	49		1303114-00	1.0 K .25 W 1.0 % RN55D-F10	10		R15,R16,R26,R27,R32,R33,R42,R43, CONT R50,R51
50	50		1302612-00	1.78 K .25 W 1.0 % RN55D-F10	1		R17
51	51		1305123-00	215.0 .25 W 1.0 % RN55D-F10	1		R14
52	52		1305265-00	39.20 K .25 W 1.0 % RN55D-F10	1		R28
53	53		1305405-00	24.90 K .25 W 1.0 % RN55D-F10	1		R34
54	54		1309094-00	100.0 5.0 W 5.0 % WW	1		R21
55	55		1309405-00	.68.0 .50 W 5.0 % CC	1		R13
56	56		1313752-00	15.0 K .25 W 1.0 % RN55D-F10	1		R19
57	57		1309595-00	1.0 M .25 W 5.0 % CC	4		R25,R30,R44,R47
58	58		1310376-03	.05 5.0 W 3.0 % WW	3		R8-R10
59	59		1312618-00	13.90 K .25 W 1.0 % RN55D-F10	1		R41
60	60		1312655-00	180.0 5.0 W 5.0 % WW	3		R23,R48,R49
61	61		1312925-00	169.0 K .25 W 1.0 % RN55D-F10	1		R46
62	62		1313191-00	1.0 K 9.0 W 5.0 % WW	1		R5
63	63		1314253-00	240.0 K .25 W 5.0 % CC	4		R29,R31,R35,R45
64	64		1314270-00	5.0 15.0 % NTC THERM	2		R1,R2
65	65		1314350-00	1.0 3.0 W10.0 % FUSE	1		R6
66	66		1315585-00	.68.0 K 1.0 W 5.0 % CC	2		R3,R4
67	67		1510706-00	XA 55 PNP 500MW SI 60 50 P	1		Q2
68	68		1512782-00	NPW 100W SI325 IS	1		Q1
69	69		1514271-01	D 44Q5 NPN 31W SI225 30	1		Q3
70	70		1614778-00	XFMR P-AB S=6.08 100MA	1		T1
71	71		1612920-02	PULSE XFMR 30KHZ UT61	1		T2
72	72		1615559-01	XFMR P=240/360DC 54-13325	1		T3
73	73		1910282-00	301AN OP AMP	1		E3
74	74		1912048-01	*** THIS ITEM IS NOT USED ***	-		
75	75		1912108-00	339 VOLT CMPRTR, QUAD	1		E4
76	76		1914392-00	856 TIMER-DUAL	1		E2

D	I	G	I	T	A	I	L	TITLE	SECTION	OF	SIZE	CODE	DOCUMENT NUMBER	REV
								H7834 POWER SUPPLY MODULE	A				5413325-0-DBP	J

AUTOMATED BY PRTLST.20(11)

PARTS LIST

SHEET A3 OF A3

LINE	ITEM	DOCUMENT NUMBER	PART NUMBER	DESCRIPTION	QTY PER VARIATION 00	REFERENCE DESIGNATOR
77	77		1914517-01	*** THIS ITEM IS NOT USED ***	-	
78	78		7015917-00	HEAT SINK ASSY	1	Z1
79	79		7015917-01	HEAT SINK ASSY	1	Z2
80	80		9003023-01	SCREW,PAN,PHIL 6-32X 7/16 SS	2	
81	81		9009798-00	SPACER, CERAMIC, .186 ODX.078 ID	14	
82	82		9009798-01	*** THIS ITEM IS NOT USED ***	-	
83	83		9009798-02	SPACER, CERAMIC, .186 ODX.078 ID	2	
84	84		9009382-00	WASHER, LOCK, INT TOOTH #3	2	
85	85		9009676-00	TERM LUG 1POS SOLDER	1	
86	86		1309419-00	19.60 K .25 W 1.0 Z RN55D-F10	1	R52
87	87		1000020-00	*** THIS ITEM IS NOT USED ***	-	
88	88		1310147-00	.15 2.0 W10.0 % WW	1	R53
89	89		1109991-01	4M6.8AZ1 VZ= 6.8 1% .40W	1	D28
90	90		1512790-00	D 44C12 NPN 30W SI	1	B4
91	91		1012607-04	270 MFD 40V+100-10% AL EL	1	C8
92	92		1000024-00	470.0 MMF 100V 5%200PPM MICA	1	C23

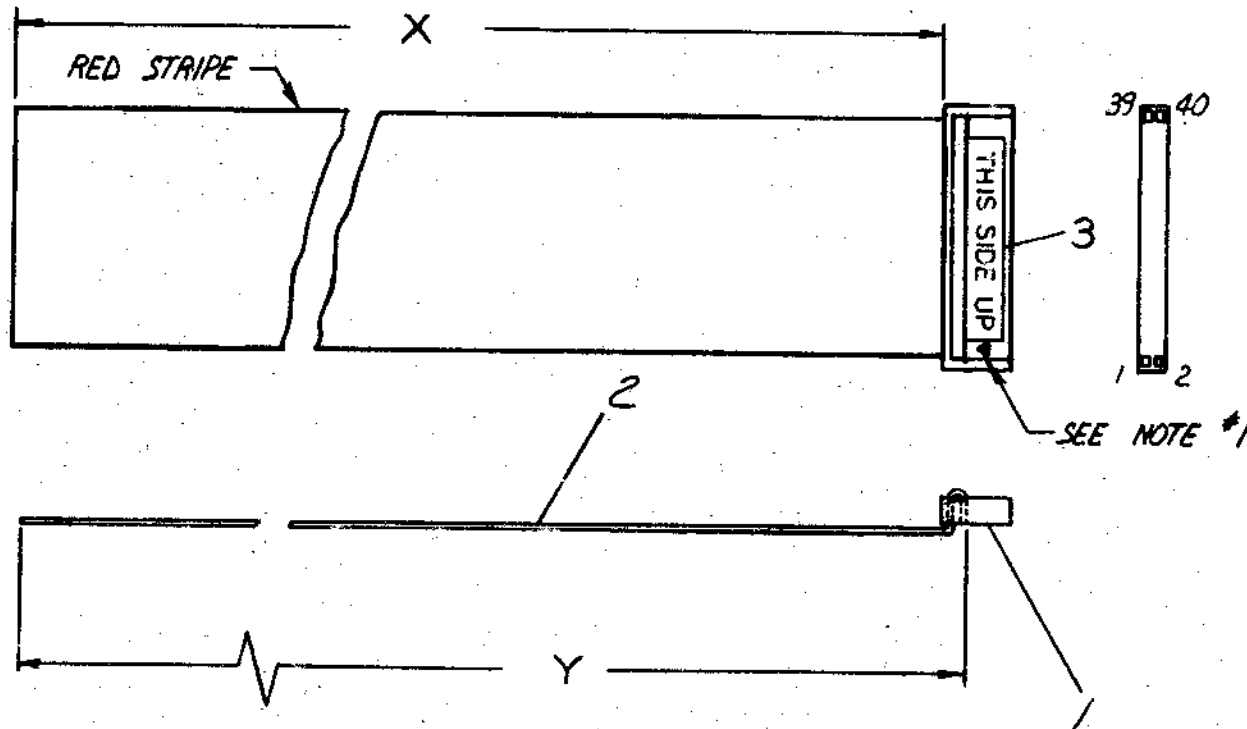
D	I	G	I	T	A	L	TITLE	SECTION A OF A	SIZE	CODE	DOCUMENT NUMBER	REV
							H7834 POWER SUPPLY MODULE				5413325-0-DBP	J

THIS DRAWING AND SPECIFICATIONS, HEREIN, ARE THE PROPERTY OF DIGITAL EQUIPMENT CORPORATION AND SHALL NOT BE REPRODUCED OR COPIED IN WHOLE OR IN PART AS THE BASIS FOR THE MANUFACTURE OR SALE OF ITEMS WITHOUT WRITTEN PERMISSION. COPYRIGHT © 1976, DIGITAL EQUIPMENT CORPORATION.

LEGEND		
NUMBER	MAX VARIATION	DMY (PRECUT) REF
7015741-OK	8.5 IN 2.5 IN	9.0 IN

NOTES:

- ARROW OR INDEX MARK ON ITEM #1 INDICATES CONTACT POSITION #1



DESCRIPTION	DWG./PART NO.	ITEM NO.
1 LABEL, CABLE I.D.	3616989-00	4
1 LABEL	3611567-00	3
1/4 CABLE, 40 COND FLAT	9107738-01	2
1 CONN, 40 POSITION	1211206-00	1

CLASS OF ACCURACY (CHECK ONE)	NOMINAL DIMENSION RANGE INCHES					
	OVER 0 TO 0.2	OVER 0.2 TO 1.2	OVER 1.2 TO 4.0	OVER 4.0 TO 12.0	OVER 12.0 TO 48.0	OVER 48.0 TO 80.0
<input checked="" type="checkbox"/> MEDIUM	±.004	±.006	±.012	±.016	±.024	±.04
<input type="checkbox"/> MICROFINISH PREFERRED	±.012	±.016	±.025	±.04	±.06	±0.1

REV.	CHG. NO.	DATE	BY	APP.
A	LA 34-PN030	12 SEP 79	F. A. DIGLIO	
B	7015741-PN001	23 SEP 79	J. BITTO	

THIRD ANGLE PROJECTION

REMOVE BURRS AND BREAK SHARP CORNERS

DO NOT SCALE DWG

MATERIAL: SEE PARTS LIST

FINISH: + + +

DRN: [Signature]

CHK'D: [Signature]

ENG: [Signature]

PROJ. ENG: [Signature]

PROD: [Signature]

FIRST USED ON: LA 34

TITLE: CABLE KEYBOARD ASSY

NEXT HIGHER ASSY.

SIZE CODE: C IA

NUMBER: 7015741-0-0

REV. B

SHEET 1 OF 1

C IA 7015741-0-0

"THIS DRAWING AND SPECIFICATIONS, HEREIN, ARE THE PROPERTY OF DIGITAL EQUIPMENT CORPORATION AND SHALL NOT BE REPRODUCED OR COPIED OR USED IN WHOLE OR IN PART AS THE BASIS FOR THE MANUFACTURE OR SALE OF ITEMS WITHOUT WRITTEN PERMISSION. COPYRIGHT © 1978 DIGITAL EQUIPMENT CORPORATION"

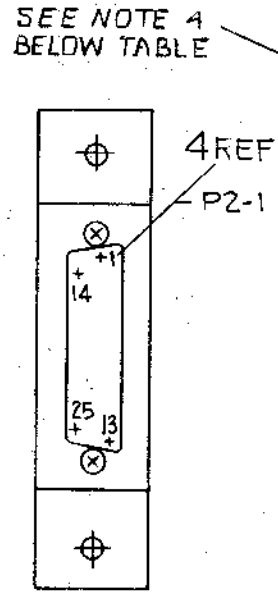
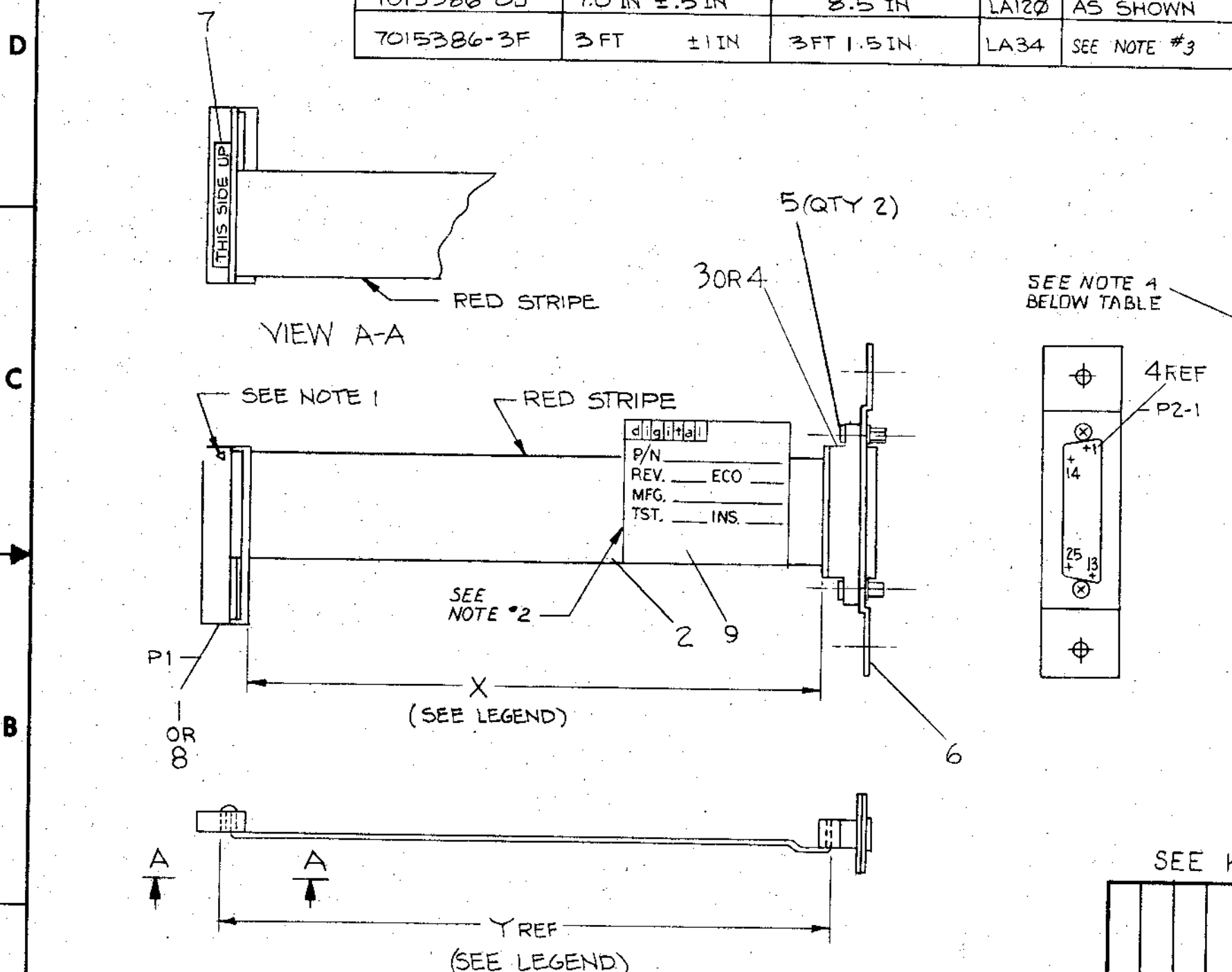
LEGEND				
NUMBER	DIM X VARIATION	DIM Y (PRECUT) REF	USED ON	REMARKS
7015386-0J	7.0 IN ±.5 IN	8.5 IN	LA120	AS SHOWN
7015386-3F	3 FT ±1 IN	3 FT 1.5 IN	LA34	SEE NOTE #3

NOTES:

- ARROW OR INDEX MARK ON ITEM #1 INDICATES CONTACT POSITION #1.
- EITHER OF TWO METHODS OF CABLE IDENTIFICATION ARE ACCEPTABLE: I.D. LABEL, P/N 3616073-00 (FOLDED IN HALF AROUND CABLE) OR RUBBER STAMP. LABEL OR STAMP SHALL CONTAIN THE FOLLOWING; DEC PART NO., REV, AND DATE CODE.
- FOR THE -3F VARIATION WHEN USED ON THE LA34 FAMILY PRINTERS REMOVE PINS 13, 14, 15, 18, 21 AND 25 FROM P2 BEFORE CABLE IS ASSEMBLED.

SIGNAL NAME CONVERSION TABLE					
P2 PIN DESIGNATION	SIGNAL NAME	P1 PIN DESIGNATION	EIA CIRCUIT NAME	E.C.I.T.T. EQUIVALENT	C.C.I.T.T. SIGNAL NAME (REF)
1	PROTECTIVE GND	1	AA	101	PROTECTIVE GND
2	TXD. EIA. L	3	BA	103	TRANSMIT DATA
3	RXD. EIA. L	5	BB	104	RECEIVE DATA
4	RTS. EIA. H	7	CA	105	REQUEST TO SEND
5	CTS. EIA. H	9	CB	106	CLEAR TO SEND
6	DSR. EIA. H	11	CC	107	DATA SET READY
7	SIG. GND SAFETY	13	AB	102	SIG. GND. COMMON RETURN
20	DTR. EIA. H	14	CD	108.2	DATA TERMINAL READY
8	CD. EIA. H	15	CF	109	RECEIVED LINE SIG. DETECTOR
22	RI. EIA. H	18	CE	125	RING INDICATOR

4. CONVERSION TABLE ABOVE IS FOR LA34 ONLY.



REV.	CHANGE NO.	REV.
A	LA34 - PNO01	A
B	LA120 - PNO27	B
C	LA120 - PNO41	C
D	LA34 - PNO38	D
E	LA34 - PNO58	E
F	LA120 - PNI28	F
G	LA120 - PNO01	G
H	LA120 - PNO01	H
I	LA120 - PNO01	I
J	LA120 - PNO01	J

SEE K-PL-7015386-0-DBP

DESCRIPTION		DWG./PART NO.	ITEM NO.
UNLESS OTHERWISE SPECIFIED DIMENSIONS ARE IN INCHES			
ANGLES ±0° 30'	CLASS OF ACCURACY (CHECK ONE)	NOMINAL DIMENSION RANGE INCHES	
SURFACE QUALITY IN	MEDIUM <input type="checkbox"/>	OVER 0 TO 0.2	OVER 0.2 TO 1.2
		OVER 1.2 TO 4.0	OVER 4.0 TO 12.0
MICROINCHES	PREFERRED <input type="checkbox"/>	±.004 ±.008 ±.012 ±.016 ±.024 ±.04	±.016 ±.025 ±.04 ±.063 ±.1
	REMOVE BURRS AND BREAK SHARP CORNERS	FIRST USED ON LA120 digital	
DO NOT SCALE DWG	TITLE EIA CABLE ASSEMBLY		
MATERIAL SEE PARTS LIST	E-LA-LA120-0-0	SIZE CODE C IA	NUMBER 7015386-0-0
FINISH	SHEET 1 OF 1	DIST.	REV. H

7015386-0-0

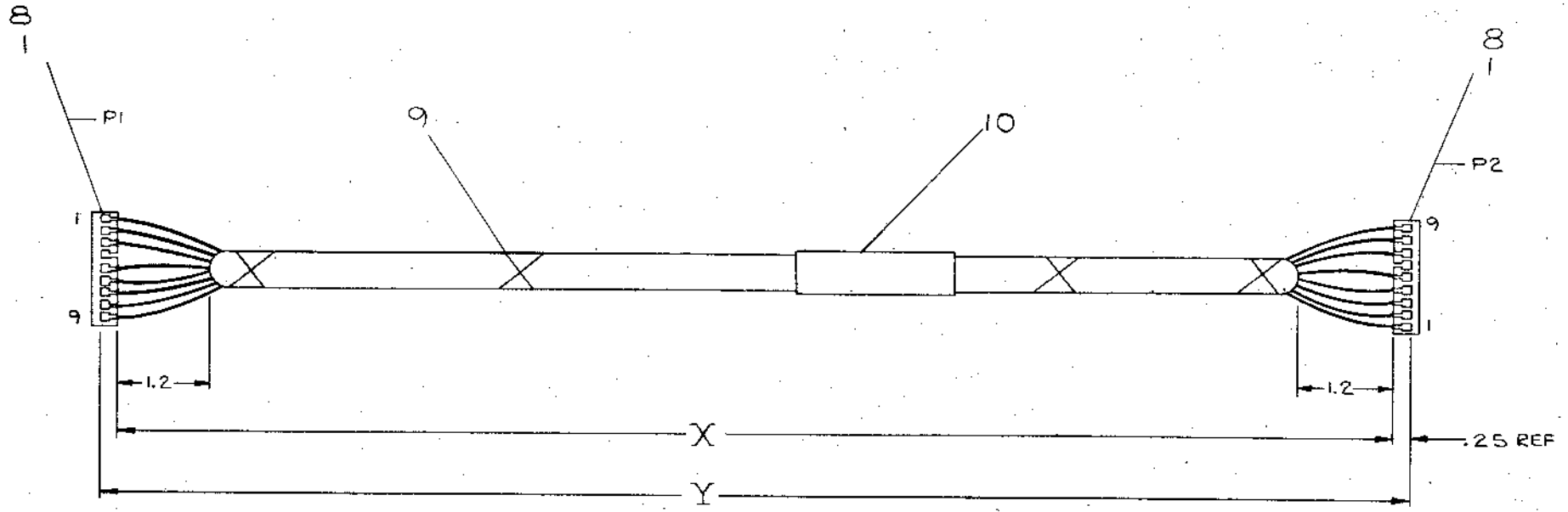
THIS DRAWING AND SPECIFICATIONS, HEREIN, ARE THE PROPERTY OF DIGITAL EQUIPMENT CORPORATION AND SHALL NOT BE REPRODUCED OR COPIED OR USED IN WHOLE OR IN PART AS THE BASIS FOR THE MANUFACTURE OR SALE OF ITEMS WITHOUT WRITTEN PERMISSION.
 COPYRIGHT © 1975, DIGITAL EQUIPMENT CORPORATION

8 0-0-6229102 1 2

WIRE TABLE						
ITEM NO.	AWG	COLOR	FROM CONNECTION	TO CONNECTION	LENGTH	SIGNAL
4	18	BLK	P1-1	P2-9	16.88	GND
4	18	BLK	P1-2	P2-8	16.88	GND
3	18	RED	P1-3	P2-7	16.88	+5V
8	-	-	P1-4	-	-	KEY
5	18	BLUE	P1-5	P2-5	16.88	-21V
4	18	BLK	P1-6	P2-4	16.88	GND
2	18	ORN	P1-7	P2-3	16.88	+21V
6	18	WHT	P1-8	P2-2	16.88	+12V
7	18	VIO	P1-9	P2-1	16.88	-12V
8	-	-	P2-6	-	-	KEY

LEGEND		
NUMBER	DIM 'X' VARIATION	DIM 'Y' (PRECUT) REF
7015739-1E	16.38 IN. ± 1.0 IN	16.88 IN

- NOTES:
- USE CABLE TIES (X) ITEM 9 APPROXIMATELY EVERY FOUR (4) INCHES.
 - NO STRIPPING OR TINNING REQUIRED.
 - KEY PLUG ITEM #8 TO BE INSERTED INTO P2-6 AND P1-4.



SEE K-PL-7015739-0-DBP, PARTS LIST

ITEM NO.	DESCRIPTION	DWG./PART NO.	ITEM NO.
1	LABEL, ADHESIVE	3816073-00	10
9	TIE, CABLE	9010190-00	9
2	KEY PLUG	1215588-00	8
7	WIRE, 18 AWG VIOLET STRD	9107360-77	7
6	WIRE, 18 AWG WHITE STRD	9107360-99	6
5	WIRE, 18 AWG BLUE STRD	9107360-66	5
4	WIRE, 18 AWG BLACK STRD	9107360-00	4
3	WIRE, 18 AWG RED STRD	9107360-22	3
2	WIRE, 18 AWG ORANGE STRD	9107360-33	2
8	HOUSING, PLUG (9 PIN)	1215306-00	8

CLASS OF ACCURACY	NOMINAL DIMENSION RANGE INCHES			
	OVER 0 TO 1.0	OVER 1.0 TO 4.0	OVER 4.0 TO 12.0	OVER 12.0 TO 48.0
PRECISION	±.005	±.008	±.012	±.018
HIGH	±.008	±.012	±.018	±.024
MEDIUM	±.012	±.018	±.024	±.030
LOW	±.018	±.024	±.030	±.036

THIRD ANGLE PROJECTION

REMOVE BURRS AND BREAK SHARP CORNERS

DO NOT SCALE DWG

MATERIAL SEE PARTS LIST

FINISH

DRN. DEANINE 12/27/78

CHK'D. [Signature] 1/8/79

ENG. [Signature] 1/11/79

PROJ. ENG. [Signature] 1/27/79

PROD. [Signature] 2/1/79

FIRST USED ON LA34

TITLE CABLE ASSY. LOGIC / POWER

E-AD-7015739-0-0

SCALE NONE

SHEET 1 OF 1

SIZE CODE D

NUMBER IA7015739-0-0

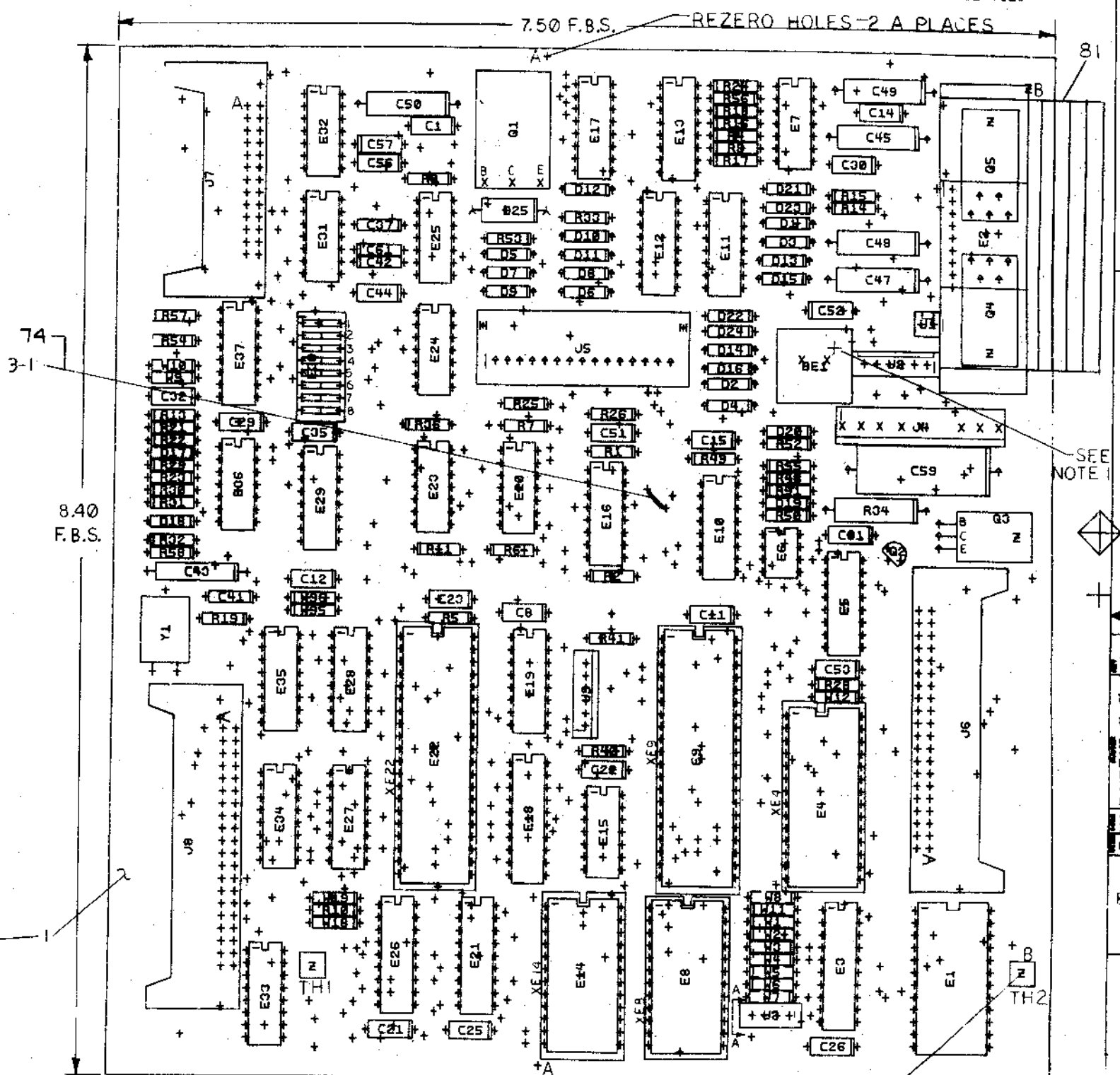
REV. B

REV.	DATE	BY	CHK'D.
A	1/11/79	J. BITTO	[Signature]
B	1/27/79	J. BITTO	[Signature]

DIA7015739-0-0

A

COMPONENT SIDE VIEW



SEE NOTE 1

VIEW A-A



NOTES: 1. LONG LEAD OF BEL IS ON PLUS (+) SIDE
 2. DO NOT INSTALL C6, E8, XE8, Q4, Q5, W2, 4, 5, 7, 8, & W10

CHANGE NO.	REV.	BY	DATE
1.0	1.0	J. BITTO	
2.0	1.0	J. BITTO	
3.0	1.0	J. BITTO	
4.0	1.0	J. BITTO	
5.0	1.0	J. BITTO	
6.0	1.0	J. BITTO	
7.0	1.0	J. BITTO	
8.0	1.0	J. BITTO	
9.0	1.0	J. BITTO	
10.0	1.0	J. BITTO	
11.0	1.0	J. BITTO	
12.0	1.0	J. BITTO	
13.0	1.0	J. BITTO	
14.0	1.0	J. BITTO	
15.0	1.0	J. BITTO	
16.0	1.0	J. BITTO	
17.0	1.0	J. BITTO	

STEP	DESCRIPTION	DATE
STEP 1	+ Y AXIS	
STEP 2	+ X AXIS	
STEP 3	TYPES	
STEP 4	TYPES	

INSERTION HOLES 2 B PLACES

ETCH REV. E

SIGNATURES	DATE
DRN. <i>J. Bitto</i>	
CHK. <i>J. Bitto</i>	
MECH. ENG. <i>J. Bitto</i>	
PROD. ENG. <i>J. Bitto</i>	
TITLE LA54 CONTROL BOARD	
SCALE 2:1	SIZE CODE NUMBER
SHT. 1 OF 2	0 UA 5413747-0
NEXT HIGHER REV. 8-00-5413747-2	

digital

LA54 CONTROL BOARD

0 UA 5413747-0

"THIS DRAWING AND SPECIFICATIONS, HEREIN, ARE THE PROPERTY OF DIGITAL EQUIPMENT CORPORATION AND SHALL NOT BE REPRODUCED OR COPIED OR USED IN WHOLE OR IN PART AS THE BASIS FOR THE MANUFACTURE OR SALE OF ITEMS WITHOUT WRITTEN PERMISSION. COPYRIGHT © DIGITAL EQUIPMENT CORPORATION"

REWORK INSTRUCTIONS

ECO # 3

WIRE ADD SIDE ONE

1. AFTER BOARD HAS BEEN BUILT AND TESTED, TWO ETCHES MUST BE CUT AND A JUMPER WIRE (9105740-55) ADDED TO THE BOARD. ON SIDE ONE CUT THE ETCH AT EIO PINS 2 AND 3. ADD A JUMPER WIRE BETWEEN THE TWO FEED THROUGH HOLES IN THE ETCH RUNS FROM EIO PINS 2 AND 3.

REVISIONS		
CHK	CHANGE NO.	REV.

LINE	ITEM	DOCUMENT NUMBER	PART NUMBER	DESCRIPTION	QTY PER VARIATION				REFERENCE DESIGNATOR
					00	99	01	02	
1	1	D-MD-5013746-0-0	5013746-00	DRILL&ETCH BOARD	1	1	1	1	
2	2		1001610-00	.01 MFD 50V +80-20% 250 CER	1	1	1	1	C32
3	3		1005636-00	22 MFD 6V 10% S,TANT	1	1	1	1	C43
4	4		1012084-01	8 MFD 25V +75-10% AL EL	5	5	5	5	C45,C47-C49,C50
5	5		1012219-00	47 MFD 30V +75-10% AL EL	1	1	1	1	C59
6	6		1012784-00	.047 MFD 50V +80-20% CER	21	21	21	21	C1,C8,C11,C12,C14,C15,C21-C23, CONT C25,C26,C29,C30,C31,C35,C44, CONT C51-C53,C56,C57
7	7		1013466-12	2200.0 MMF 50V 10% X7R CER	1	1	1	1	C42
8	8		1013466-18	330.0 MMF 50V 5% CER	1	1	1	1	C37
9	9		1013466-31	15.0 MMF 50V 5% CER	1	1	1	1	C41
10	10		1101938-00	1N 4370A VZ= 2.4 5% .40W	1	1	1	1	D18
11	11		1105275-00	D 672 TR= 15NS PIV= 60V SI	7	7	7	7	D17,D19-D24
12	12		1105796-00	1N 4004 PIV=400 I= 1A D041 SP	16	16	16	16	D1-D16
13	13		1110854-00	1N 5353B VZ= 16.0V 5% .40W M	1	1	1	1	D25
14	14		1209941-02	HEADER 100 40POS RT ANGLE	2	2	2	2	J6,J8
15	15		1209941-09	HEADER 26POS RT ANGLE RCPT	1	1	1	1	J7
16	16		1211164-04	SW,DIP 1P 1A 8POS	1	1	1	1	E30
17	17		1215921-00	CONN, 4PIN WAFER,RIGHT ANG	1	1	1	1	J3
18	18		1215006-06	SKT,IC 24PIN DIP TIN PLATEE	1	1	1	1	XE14
19	19		1215006-08	SKT,IC 40PIN DIP TIN PLATEE	2	2	2	2	XE22,XE9
20	20		1215323-00	CONN, 6POS POLARIZING & LO	2	2	2	2	J9,J2
21	21		1215323-02	CONN, 2POS POLARIZING & LO	1	1	1	1	J1
22	22		1215324-00	CONN 15POS GOLD PLATED	1	1	1	1	J5
23	23		1215635-01	TRANSDUCER,MINATURE AUDIO FOR LA	1	1	1	1	BE1
24	24		1215699-00	HEADER 9POS STRAIGHT	1	1	1	1	J4
25	25		1300005-07	R NETWORK 15=4.7K 5.0 % 16PIN	1	1	1	1	F29
26	26		1300247-00	120.0 .25 W 5.0 % CC	1	1	1	1	R31
27	27		1300295-00	330.0 .25 W 5.0 % CC	8	8	8	8	R5,R14,R15,R28,R49,R54-R56
28	28		1300365-00	1.0 K .25 W 5.0 % CC	7	7	7	7	R13,R19,R29,R36,R40,R41,R53

REVISION HISTORY		BASIC PART NO: 5413747		DRN:	DAVID DROZD	DATE:	21-MAR-80	DIGITAL			
ENGR	ECO NUMBER	REV	SECTION A OF B	CHK'D:	TONY SHEWTRASKI	DATE:	21-MAR-80	PARTS LIST			
---	INITIAL	ID	SECTION,VARIATION INDEX	CHK'D:	TONY SHEWTRASKI	DATE:	21-MAR-80	54-13747 BOARD			
1JB	15413747-PN001	F	(A) 00,99,01,02	DES.ENG:	DON DODSON	DATE:	21-MAR-80	DOCUMENT NUMBER			
1JB	15413747-PN002	F	(B) 03	RESP.ENG.:	DON DODSON	DATE:	21-MAR-80	SIZE:	CODE:	NUMBER	REV
1JB	15413747-PN003	H	(C)	MFG.ENG.:	JOHN MCSHANE	DATE:	21-MAR-80	K	PL	5413747-0-DBP	H
1JB	15413747-PN004	J	(D)	ASSEMBLY NUMBER:		TOP DOCUMENT NUMBER:		FILE NAME:		EDIT #	
1JB	15413747-PN005	K	(E)	D-UA-5413747-0-0				13747M,PLS		7	
1JB	15413747-PN006	L	(F)								
1JB	15413747-PN007	M	(H)								
			(J)								
			(K)								
			(L)								
			(M)								
			(N)								

"THIS DRAWING AND SPECIFICATIONS HEREIN, ARE THE PROPERTY OF DIGITAL EQUIPMENT CORPORATION AND SHALL NOT BE REPRODUCED OR COPIED OR USED IN WHOLE OR IN PART AS THE BASIS FOR THE MANUFACTURE OR SALE OF ITEMS WITHOUT WRITTEN PERMISSION. COPYRIGHT (C) 1981, DIGITAL EQUIPMENT CORPORATION"

LINE	ITEM	DOCUMENT NUMBER	PART NUMBER	DESCRIPTION	QTY PER VARIATION				REFERENCE DESIGNATOR
					00	01	02	03	
29	29		1300417-00	2.20 K .25 W 5.0 % CC	1	1	1	1	R33
30	30		1300439-00	3.30 K .25 W 5.0 % CC	1	1	1	1	R50
31	31		1300479-00	10.0 K .25 W 5.0 % CC	7	7	7	7	R6-R8,R10,R11,R21,R22
32	32		1300488-00	12.0 K .25 W 5.0 % CC	1	1	1	1	R32
33	33		1301423-00	5.80 K .25 W 5.0 % CC	11	11	11	11	R1-R4,R16-R18,R24-R26,R30
34	34		1301890-00	560.0 .25 W 5.0 % CC	1	1	1	1	R43
35	35		1302388-00	2.0 K .25 W 5.0 % CC	1	1	1	1	R51
36	36		1302466-00	100.0 K .25 W 5.0 % CC	2	2	2	2	R23,R58
37	37		1302602-00	56.0 .25 W 5.0 % CC	1	1	1	1	R52
38	38		1312452-00	3.74 K .25 W 1.0 % RL55D-F10	1	1	1	1	R57
39	39		1315676-00	300.0 3.0 W 5.0 % W 9	1	1	1	1	R34
40	40		1510706-00	XA 55 PNP 500MW SI 60 50 P	1	1	1	1	Q2
41	41		1514509-00	TIP 125 PNP 65W SI 60 500 BA	1	1	1	1	Q3
42	42		1515370-00	TIP146 PNP DARLINGTON-CONNECTED	1	1	1	1	Q1
43	43		1812396-03	XTAU 4.000 MHZ	1	1	1	1	Y1
44	44		1910322-00	DEC 1488L DRIVER,LINE,QUAD,EI	1	1	1	1	E32
45	45		1910406-00	75451 DRIVER,PERIPH,DUAL,	1	1	1	1	E6
46	46		1910741-00	7406 INVERTER GATE-HEX 1I	1	1	1	1	E7
47	47		1912108-00	339 VOLT CMPRTR,QUAD	1	1	1	1	E36
48	48		1912697-00	LS174 FF-D HEX W/CLEAR	1	1	1	1	E34
49	49		1912799-00	LS00 NAND-GATE-QUAD 2IN,P	1	1	1	1	E15
50	50		1912805-00	LS08 AND GATE-QUAD 2IN,PO	1	1	1	1	E25
51	51		1912807-00	LS10 NAND GATE-TRIPLE 3IN	1	1	1	1	E23
52	52		1912816-00	LS32 OR GATE-QUAD 2IN,POS	1	1	1	1	E20
53	53		1912824-00	LS74 FF-D DUAL,EDGE TRIGG	1	1	1	1	E24
54	54		1912842-00	LS138 DECODER-THREE INPUT,	1	1	1	1	E35
55	55		1912843-00	LS139 DECODER, 2 OF 4(DUAL)	1	1	1	1	E19
56	56		1912846-00	LS155 DECODER,2 OF 4(DUAL)	1	1	1	1	E33
57	57		1912863-00	LS273 FF-D OCTAL W/CLEAR	1	1	1	1	E18
58	58		1913130-00	DEC 1489A RECEIVER,LINE,QUAD,	1	1	1	1	E31
59	59		1913471-00	LS367 DRIVER,BUS,HEX,TRI-	3	3	3	3	E10,E28,E27
60	60		1913777-00	LS240 DRIVER,LINE,OCTAL,T	1	1	1	1	E3
61	61		1913950-00	LS156 DECODER,2 OF 4(DUAL)	1	1	1	1	E5
62	62		1914072-00	74159 DECODER-4 TO 16 OPR	1	1	1	1	E1
63	63		1914560-00	LS368 DRIVER,BUS,HEX,TRI-	3	3	3	3	E13,E16,E37
64	64		1915261-00	DEC 2841B DRIVER,1.5A QUAD	3	3	3	3	E11,E12,E17
65	65		1915636-00	*** THIS ITEM IS NOT USED ***	-	-	-	-	
66	66		2113107-01	P 8251A PUSART CONN, INTERFA	1	1	1	1	E4
67	67		2113954-00	DC 305 INTERFACE CHIP NT	1	1	1	1	E9
68	68		2114212-01	P 2114 RAM,1024X4,STATIC 18	2	2	2	2	E21,E26
69	69		2114963-00	UP,8-RIT NYOS GL	1	1	1	1	E22
70	70	SEE NOTE 1	23021E4-00	E4-01,E4-02,E4-03	1	-	-	-	E14
71	71		9009185-00	JUMPER, WIRE, INSULATED, BLACK B	10	10	10	10	W1,W3,W6,W9,W11,W12,W18,W19,W95,
72	72		1215006-07	SKT,IC 28PIN DIP TIN PLATED	-	-	-	-	COMT W96
73	73	SEE NOTE 2	23030E4-00	E4-01,E4-03	1	1	1	1	XE4
74	74		9105740-55	WIRE(WRAP)30AWG UD1423	-	-	1	-	E14
75	75	SEE NOTE 3	23034E4-00	E4-01,E4-02,E4-03	-	-	-	1	E14

D	I	G	I	T	A	L	TITLE	SECTION A OF B	SIZE	CODE	DOCUMENT NUMBER	REV
							54-13747 BOARD		K	PL	5413747-0-DMP	M

LINE	ITEM	DOCUMENT NUMBER	PART NUMBER	DESCRIPTION	QTY PER VARIATION				REFERENCE DESIGNATOR
					00	99	01	02	
76	76	SEE NOTE 4	23033E4-00	*** THIS ITEM IS NOT USED ***	-	-	-	-	
77	77		1916002-00	DRIVER, MOTOR CONT					
78	78		9006023-01	SCREW, PAN, PHIL 6-32X 7/16 SS	2	2	2	2	G4,05
79	79		9008185-00	NUT, KEP 6-32X1/4 AF	2	2	2	2	
80	80		9008268-00	COMPOUND, THERMAL JOINT					
81	81		7424745-00	HEAT SINK, H DRIVERS	A/R	A/R	A/R	A/R	
					1	1	1	1	

- 82 NOTE: 1. PT#23021E4-00 CAN HAVE A 01 OR AN 03 VARIATION.
- 83 NOTE: 2. PT#23030E4-00 CAN HAVE A 00 THRU 03 VARIATION.
- 84 NOTE: 3. PT#23034E4-00 CAN HAVE A 00 THRU 03 VARIATION.
- 85 NOTE: 4. PT#23033E4-00 CAN HAVE A 00 THRU 03 VARIATION.

D	I	G	I	T	A	L	TITLE	SECTION A OF B	SIZE	CODE	DOCUMENT NUMBER	REV
							54-13747 BOARD		K	PL	5413747-0-DHP	M

LINE ITEM	DOCUMENT NUMBER	PART NUMBER	DESCRIPTION	QTY PER VARIATION	REFERENCE DESIGNATOR
				03	
1	D-MD-5013746-0-0	5013746-00	DRILL&ETCH BOARD	1	
2		1001610-00	.01 MFD 50V +80-20% Z5U CER	1	C32
3		1005636-00	22 MFD 6V 10% S.TANT	1	C43
4		1012084-01	8 MFD 25V +75-10% AL EL	5	C45,C47-C49,C50
5		1012219-00	47 MFD 30V +75-10% AL EL	1	C59
6		1012784-00	.047 MFD 50V +80-20% CER	21	C1,C8,C11,C12,C14,C15,C21-C23, CONT C25,C26,C29,C30,C31,C35,C44, CONT C51-C53,C56,C57
7		1013466-12	2200.0 MMF 50V 10% X7R CER	1	C42
8		1013466-18	330.0 MMF 50V 5% CER	1	C37
9		1013466-31	15.0 MMF 50V 5% CER	1	C41
10		1101938-00	1N 4370A VZ= 2.4 5% .40W	1	D18
11		1105275-00	D 672 TR= 15NS PIV= 60V SI	7	D17,D19-D24
12		1105796-00	1N 4004 PIV=400 I= 1A D041 SP	16	D1-D16
13		1110854-00	1N 5353B VZ= 16.0V 5% .40W M	1	D25
14		1209941-02	HEADER 100 40POS RT ANGLE	2	J6,J8
15		1209941-09	HEADER 26POS RT ANGLE RCPT	1	J7
16		1211164-04	SW,DIP 1P 1A 8POS	1	E30
17		1215921-00	CONN, 4PIN WAFER,RIGHT ANG	1	J3
18		1215006-06	SKT,IC 24PIN DIP TIN PLATE	1	XE14
19		1215006-08	SKT,IC 40PIN DIP TIN PLATE	2	XE22,XE9
20		1215323-00	CONN, 6POS POLARIZING & LO	2	J9,J2
21		1215323-02	CONN, 2POS POLARIZING & LO	1	J1
22		1215324-00	CONN 15POS GOLD PLATED	1	J5
23		1215635-01	TRANSDUCER,MINATURE AUDIO FOR LA	1	BE1
24		1215699-00	HEADER 9POS STRAIGHT	1	J4
25		1300005-07	R NETWORK 15-4.7K 5.0 % 16PIN	1	E29
26		1300247-00	120.0 .25 W 5.0 % CC	1	R31
27		1300295-00	330.0 .25 W 5.0 % CC	8	R5,R14,R15,R28,R49,R54-R56
28		1300365-00	1.0 K .25 W 5.0 % CC	7	R13,R19,R29,R36,R40,R41,R53

REVISION HISTORY		BASIC PART NO: 5413747		DRN:	DAVID DROZD	DATE:	21-MAR-80	D I G I T A L			
ENG	ECD NUMBER	REV	SECTION B OF B	CHK'D:	TONY SHEWTRASKI	DATE:	21-MAR-80	TITLE PARTS LIST			
	INITIAL	D	SECTION VARIATION INDEX					54-13747 BOARD			
JB	5413747-PN001	E	[A] 00,99,01,02								
JB	5413747-PN002	F	[B] 03								
JB	5413747-PN003	H	[C]	DES.ENG:	DON DODSON	DATE:	21-MAR-80	DOCUMENT NUMBER			
JB	5413747-PN004	J	[D]								
JB	5413747-PN005	K	[E]								
JB	5413747-PN006	L	[F]	RESP.ENG.:	DON DODSON	DATE:	21-MAR-80	SIZE	CODE	NUMBER	REV
JB	5413747-PN007	M	[H]								
ING	5413747-PN009	N	[J]	MFG.ENG.:	JOHN MCSHANE	DATE:	21-MAR-80	K	PL	5413747-0-DBP	N
			[K]								
			[L]								
			[M]	ASSEMBLY NUMBER:		TOP DOCUMENT NUMBER:		FILE NAME:	EDIT #		
			[N]	D-UA-5413747-0-0				13747N.PLS	10		

THIS DRAWING AND SPECIFICATIONS HEREIN, ARE THE PROPERTY OF DIGITAL EQUIPMENT CORPORATION AND SHALL NOT BE REPRODUCED OR COPIED OR USED IN WHOLE OR IN PART AS THE BASIS FOR THE MANUFACTURE OR SALE OF ITEMS WITHOUT WRITTEN PERMISSION. COPYRIGHT (C) 1981. DIGITAL EQUIPMENT CORPORATION

PARTS LIST

LINE	ITEM	DOCUMENT NUMBER	PART NUMBER	DESCRIPTION	QTY	PER VARIATION	REFERENCE DESIGNATOR
29	29		1300417-00	2.20 K .25 W 5.0 % CC	1		
30	30		1300439-00	3.30 K .25 W 5.0 % CC	1		R33
31	31		1300479-00	10.0 K .25 W 5.0 % CC	7		R50
32	32		1300488-00	12.0 K .25 W 5.0 % CC	1		R6-R8,R10,R11,R21,R22
33	33		1301423-00	6.80 K .25 W 5.0 % CC	1		R32
34	34		1301890-00	560.0 .25 W 5.0 % CC	11		R1-R4,R16-R18,R24-R26,R30
35	35		1302388-00	2.0 K .25 W 5.0 % CC	1		R
36	36		1302466-00	100.0 K .25 W 5.0 % CC	1		R41
37	37		1302602-00	56.0 .25 W 5.0 % CC	1		R P33
38	38		1312452-00	3.74 K .25 W 1.0 % RN55H-F10	1		R52
39	39		1315676-00	300.0 3.0 W 5.0 % WW 9	1		R57
40	40		1510706-00	XA 55 PNP 500MW SI 60 50 P	1		R34
41	41		1514509-00	TIP 125 PNP 65W SI 60 500 BA	1		Q2
42	42		1515370-00	TIP146 PNP DARLINGTON-CONNECTED	1		Q3
43	43		1812396-03	XTAL 4.000 MHZ	1		Q1
44	44		1910322-00	DEC 1488L DRIVER,LINE,QUAD,EI	1		Y1
45	45		1910406-00	75451 DRIVER,PERIPH,DUAL,	1		E32
46	46		1910741-00	7406 INVERTER GATE-HEX 1I	1		E6
47	47		1912108-00	339 VOLT CMPRTR,QUAD	1		E7
48	48		1912697-00	LS174 FF-D HEX W/CLEAR	1		E36
49	49		1912799-00	LS00 NAND-GATE-QUAD 2IN,P	1		E34
50	50		1912805-00	LS08 AND GATE-QUAD 2IN,PO	1		E15
51	51		1912807-00	LS10 NAND GATE-TRIPLE 3IN	1		E25
52	52		1912816-00	LS32 OR GATE-QUAD 2IN,POS	1		E23
53	53		1912824-00	LS74 FF-D DUAL,EDGE TRIGG	1		E20
54	54		1912842-00	LS138 DECODER-THREE INPUT,	1		E24
55	55		1912843-00	LS139 DECODER, 2 OF 4(DUAL)	1		E35
56	56		1912846-00	LS155 DECODER,2 OF 4(DUAL)	1		E19
57	57		1912863-00	LS273 FF-D OCTAL W/CLEAR	1		E33
58	58		1913130-00	DEC 1489A RECEIVER,LINE,QUAD,	1		E18
59	59		1913471-00	LS367 DRIVER,BUS,HEX,TRI-	1		E31
60	60		1913777-00	LS240 DRIVER,LINE,OCTAL,T	3		E10,E28,E27
61	61		1913950-00	LS156 DECODER,2 OF 4(DUAL)	1		E3
62	62		1914072-00	74159 DECODER-4 TO 16 OPN	1		E5
63	63		1914560-00	LS368 DRIVER,BUS,HEX,TRI-	3		E1
64	64		1915261-00	DEC 2841B DRIVER,1.5A QUAD	3		E13,E16,E37
65	65		1915636-00	*** THIS ITEM IS NOT USED ***	-		E11,E12,E17
66	66		2113107-01	P 8251A PUSART COMM. INTERFA	1		E4
67	67		2113954-00	DC 305 INTERFACE CHIP	1		E9
68	68	SEE NOTE 5	2114212-00	P 2114-2 RAM,1024X4,STATIC	2		E21,E26
69	69		2114963-00	UP,8-BIT NMOS	1		E22
70	70	SEE NOTE 1	23021E4-00	*** THIS ITEM IS NOT USED ***	-		
71	71		9009185-00	JUMPER, WIRE, INSULATED, BLACK B	10		W1,W3,W6,W9,U11,W12,W18,W19,W95,
72	72		1215006-07	SKT,IC 28PIN DIP TIN PLATE	1	CONT	W96
73	73	SEE NOTE 2	23030E4-00	*** THIS ITEM IS NOT USED ***	-		XE4
74	74		9105740-55	WIRE(WRAP)30AWG UL1423	A/R		
75	75	SEE NOTE 3	23034E4-00	*** THIS ITEM IS NOT USED ***	-		

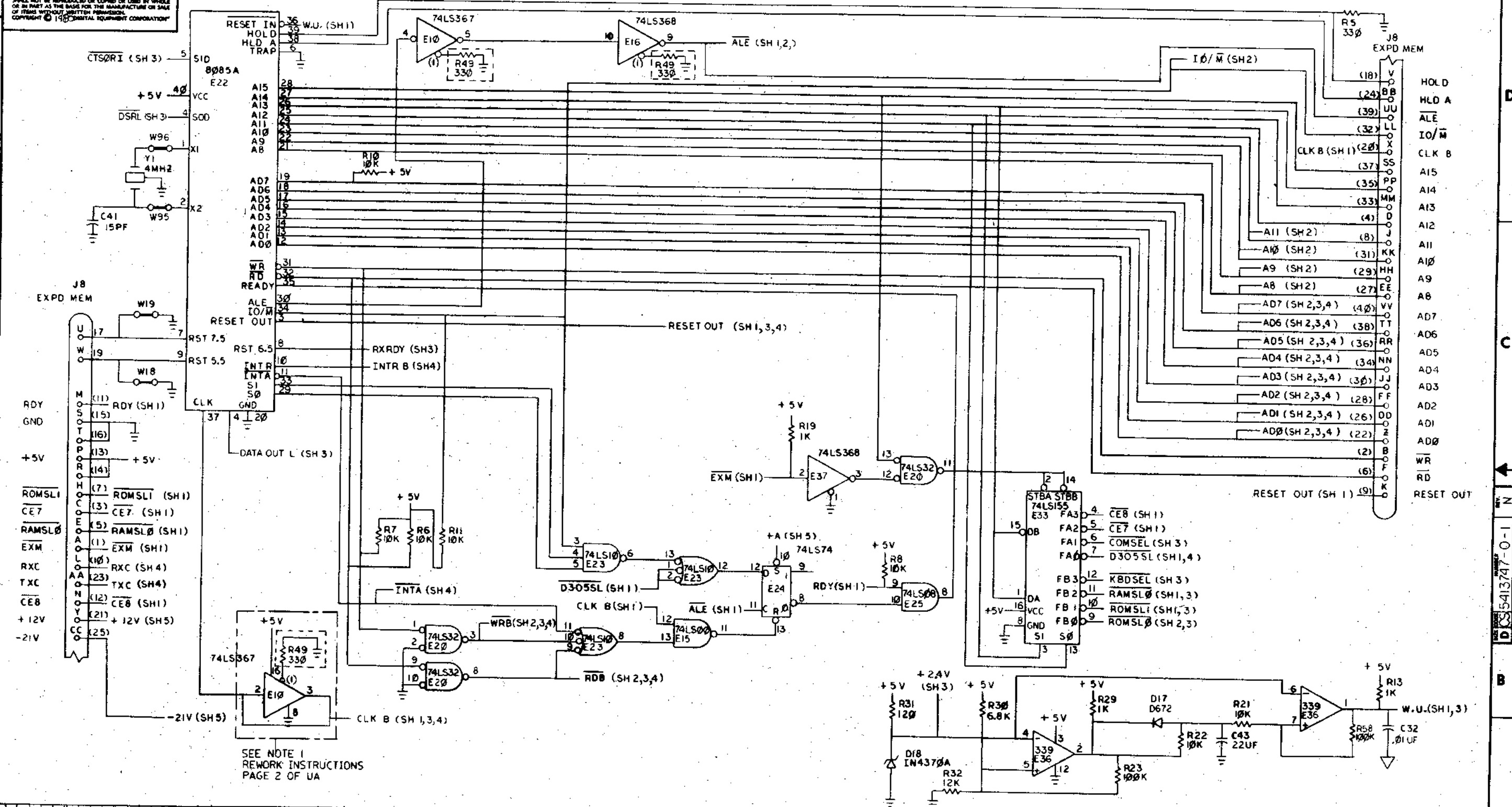
TITLE				SECTION B OF B				SIZE CODE		DOCUMENT NUMBER		REV	
54-13747-00000								K PL		5413747-0-DBP		N	

LINE ITEM	DOCUMENT NUMBER	PART NUMBER	DESCRIPTION	QTY PER VARIATION	REFERENCE DESIGNATOR
76	76	23033E4-00	E4-01,E4-02,E4-03	1	E14
77	77	1716002-00	DRIVER,MOTOR CONTROL	2	04,05
78	78	9006023-01	SCREW,PAN,PHIL 6-32X 7/16 SS	2	
79	79	9008185-00	NUT,KEP 6-32X 1/4 AF	2	
80	80	9008268-00	COMPOUND, THERMAL JOINT	A/R	
81	81	7424745-00	HEAT SINK H DRIVERS	1	

- 82 NOTE: 1. PT#23021E4-00 CAN HAVE A 01 OR AN 03 VARIATION.
 83 NOTE: 2. PT#23030E4-00 CAN HAVE A 00 THRU 03 VARIATION.
 84 NOTE: 3. PT#23034E4-00 CAN HAVE A 00 THRU 03 VARIATION.
 85 NOTE: 4. PT#23033E4-00 CAN HAVE A 00 THRU 03 VARIATION.
 86 NOTE: 5. IF 2114212-00 IS NOT AVAILABLE 2114212-01 CAN BE USED.

D	I	G	I	T	A	L	TITLE	54-13747 BOARD	SECTION B OF B	SIZE	CODE	DOCUMENT NUMBER	REV
										N	PL	5413747-0-DBP	N

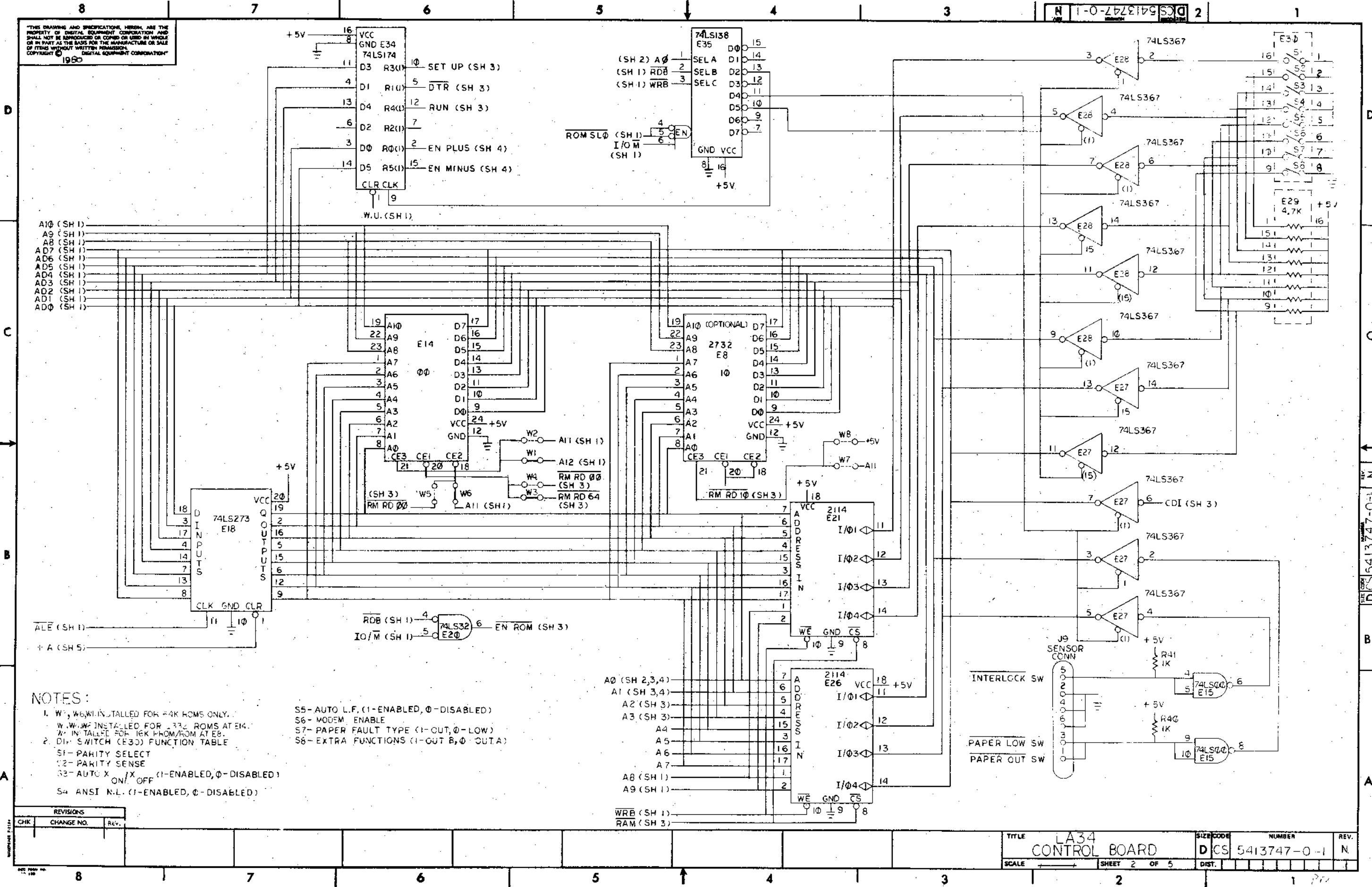
THE DRAWING AND SPECIFICATIONS HEREIN ARE THE PROPERTY OF DIGITAL EQUIPMENT CORPORATION AND SHALL NOT BE REPRODUCED OR COPIED OR USED IN WHOLE OR IN PART AS THE BASIS FOR THE MANUFACTURE OR SALE OF ITEMS WITHOUT WRITTEN PERMISSION. COPYRIGHT © 1975 DIGITAL EQUIPMENT CORPORATION



REV	DATE	BY	CHKD	DESCRIPTION
1	11/18/75	J. BITTO	J. BITTO	INITIAL RELEASE
2	12/10/75	J. BITTO	J. BITTO	REVISED FOR 8085A
3	1/15/76	J. BITTO	J. BITTO	REVISED FOR 8085A
4	2/10/76	J. BITTO	J. BITTO	REVISED FOR 8085A
5	3/10/76	J. BITTO	J. BITTO	REVISED FOR 8085A
6	4/10/76	J. BITTO	J. BITTO	REVISED FOR 8085A
7	5/10/76	J. BITTO	J. BITTO	REVISED FOR 8085A
8	6/10/76	J. BITTO	J. BITTO	REVISED FOR 8085A
9	7/10/76	J. BITTO	J. BITTO	REVISED FOR 8085A
10	8/10/76	J. BITTO	J. BITTO	REVISED FOR 8085A
11	9/10/76	J. BITTO	J. BITTO	REVISED FOR 8085A
12	10/10/76	J. BITTO	J. BITTO	REVISED FOR 8085A
13	11/10/76	J. BITTO	J. BITTO	REVISED FOR 8085A
14	12/10/76	J. BITTO	J. BITTO	REVISED FOR 8085A
15	1/10/77	J. BITTO	J. BITTO	REVISED FOR 8085A
16	2/10/77	J. BITTO	J. BITTO	REVISED FOR 8085A
17	3/10/77	J. BITTO	J. BITTO	REVISED FOR 8085A
18	4/10/77	J. BITTO	J. BITTO	REVISED FOR 8085A
19	5/10/77	J. BITTO	J. BITTO	REVISED FOR 8085A
20	6/10/77	J. BITTO	J. BITTO	REVISED FOR 8085A
21	7/10/77	J. BITTO	J. BITTO	REVISED FOR 8085A
22	8/10/77	J. BITTO	J. BITTO	REVISED FOR 8085A
23	9/10/77	J. BITTO	J. BITTO	REVISED FOR 8085A
24	10/10/77	J. BITTO	J. BITTO	REVISED FOR 8085A
25	11/10/77	J. BITTO	J. BITTO	REVISED FOR 8085A
26	12/10/77	J. BITTO	J. BITTO	REVISED FOR 8085A
27	1/10/78	J. BITTO	J. BITTO	REVISED FOR 8085A
28	2/10/78	J. BITTO	J. BITTO	REVISED FOR 8085A
29	3/10/78	J. BITTO	J. BITTO	REVISED FOR 8085A
30	4/10/78	J. BITTO	J. BITTO	REVISED FOR 8085A
31	5/10/78	J. BITTO	J. BITTO	REVISED FOR 8085A
32	6/10/78	J. BITTO	J. BITTO	REVISED FOR 8085A
33	7/10/78	J. BITTO	J. BITTO	REVISED FOR 8085A
34	8/10/78	J. BITTO	J. BITTO	REVISED FOR 8085A
35	9/10/78	J. BITTO	J. BITTO	REVISED FOR 8085A
36	10/10/78	J. BITTO	J. BITTO	REVISED FOR 8085A
37	11/10/78	J. BITTO	J. BITTO	REVISED FOR 8085A
38	12/10/78	J. BITTO	J. BITTO	REVISED FOR 8085A
39	1/10/79	J. BITTO	J. BITTO	REVISED FOR 8085A
40	2/10/79	J. BITTO	J. BITTO	REVISED FOR 8085A
41	3/10/79	J. BITTO	J. BITTO	REVISED FOR 8085A
42	4/10/79	J. BITTO	J. BITTO	REVISED FOR 8085A
43	5/10/79	J. BITTO	J. BITTO	REVISED FOR 8085A
44	6/10/79	J. BITTO	J. BITTO	REVISED FOR 8085A
45	7/10/79	J. BITTO	J. BITTO	REVISED FOR 8085A
46	8/10/79	J. BITTO	J. BITTO	REVISED FOR 8085A
47	9/10/79	J. BITTO	J. BITTO	REVISED FOR 8085A
48	10/10/79	J. BITTO	J. BITTO	REVISED FOR 8085A
49	11/10/79	J. BITTO	J. BITTO	REVISED FOR 8085A
50	12/10/79	J. BITTO	J. BITTO	REVISED FOR 8085A

DRW: J. BITTO	CHKD: J. BITTO	ENG: J. BITTO	PROJ. ENG: J. BITTO	PROD. MGR: J. BITTO
DATE: 11/18/75	REV: 1	REV: 1	REV: 1	REV: 1
FIRST USED ON: LA34		TITLE: LA34 CONTROL BOARD		
NEXT HIGHER ASSY: B-DD-5413747-0		SIZE: D	CODE: CS 5413747-0-1	REV: 1
SCALE: 1:1		SHEET 1 OF 5		

THIS DRAWING AND SPECIFICATIONS, HEREIN, ARE THE PROPERTY OF DIGITAL EQUIPMENT CORPORATION AND SHALL NOT BE REPRODUCED OR USED IN WHOLE OR IN PART AS THE BASIS FOR THE MANUFACTURE OR SALE OF ITEMS WITHOUT WRITTEN PERMISSION. COPYRIGHT © 1980 DIGITAL EQUIPMENT CORPORATION

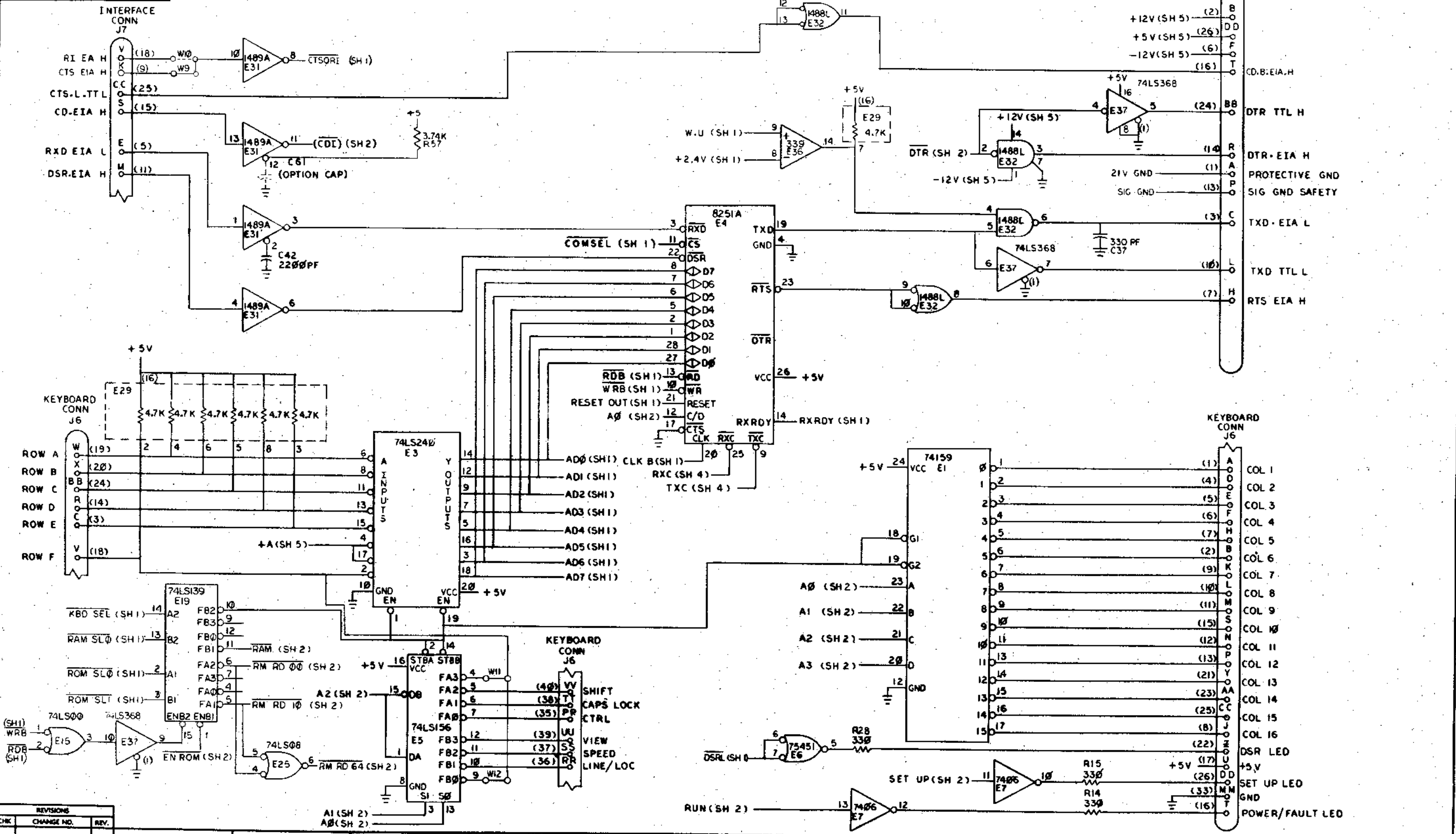


NOTES:

- W₁, W₆ INSTALLED FOR 4K ROMS ONLY.
- W₁, W₂, W₃ INSTALLED FOR 16K ROMS AT E4.
- W₄ INSTALLED FOR 16K PROM/ROM AT E8.
- DIP SWITCH (E30) FUNCTION TABLE
- S1- PARITY SELECT
- S2- PARITY SENSE
- S3- AUTO X ON/OFF (1-ENABLED, 0-DISABLED)
- S4- ANSI M-L (1-ENABLED, 0-DISABLED)
- S5- AUTO L.F. (1-ENABLED, 0-DISABLED)
- S6- MODEM ENABLE
- S7- PAPER FAULT TYPE (1-OUT, 0-LOW)
- S8- EXTRA FUNCTIONS (1-OUT B, 0-OUT A)

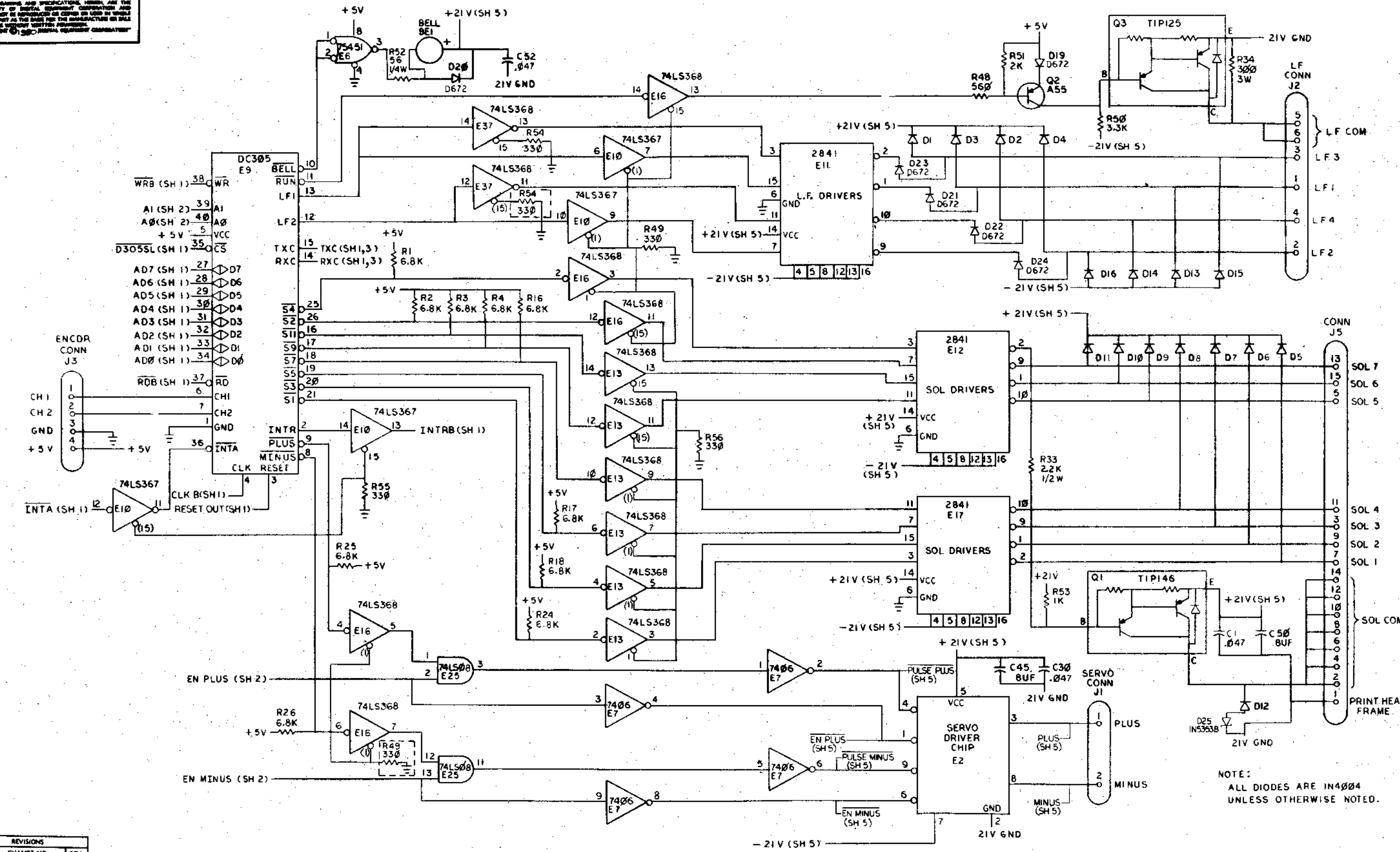
REVISIONS		
CHK	CHANGE NO.	Rev.

THIS DRAWING AND SPECIFICATIONS HEREIN ARE THE PROPERTY OF DIGITAL EQUIPMENT CORPORATION AND SHALL NOT BE REPRODUCED OR COPIED OR USED IN WHOLE OR IN PART AS THE BASIS FOR THE MANUFACTURE OR SALE OF ITEMS WITHOUT WRITTEN PERMISSION. COPYRIGHT © 1970 DIGITAL EQUIPMENT CORPORATION



REVISIONS		
CHK	CHANGE NO.	REV.

THIS DRAWING AND SPECIFICATIONS HEREIN ARE THE PROPERTY OF DIGITAL EQUIPMENT CORPORATION AND SHALL NOT BE REPRODUCED OR USED IN WHOLE OR IN PART AS THE BASIS FOR THE MANUFACTURE OR SALE OF ITEMS WITHOUT WRITTEN APPROVAL OF DIGITAL EQUIPMENT CORPORATION.



NOTE: ALL DIODES ARE IN4004 UNLESS OTHERWISE NOTED.

REVISIONS		
CHK	CHANGE NO.	REV.

TITLE	LA34 CONTROL BOARD	SIZE CODE	D	NUMBER	DCS 5413747-0-1	REV.	N
SCALE	1:1	SHEET	4	OF	5	DIST.	

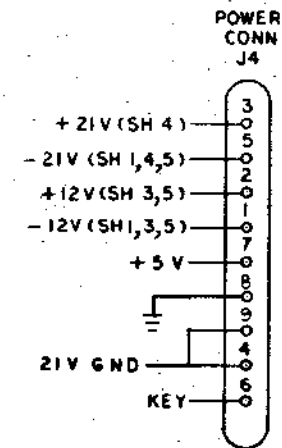
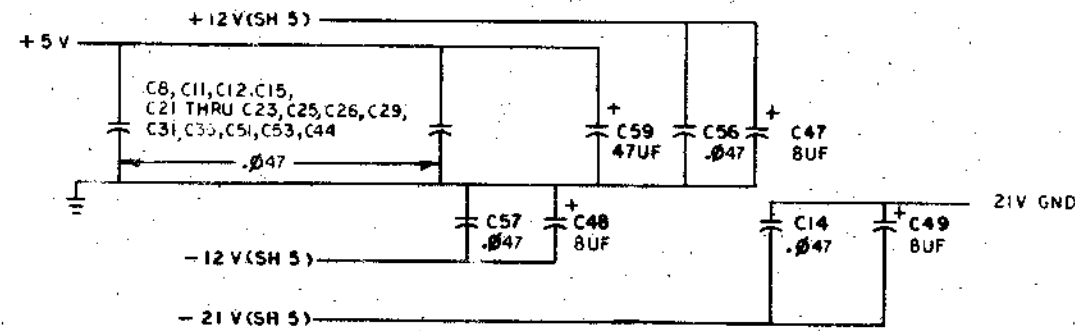
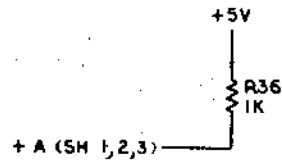
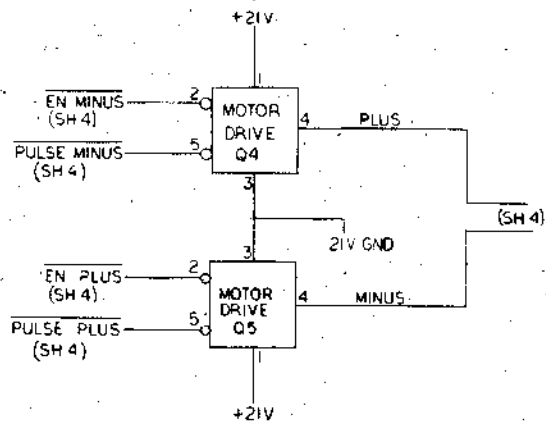
8 7 6 5 4 3 2 1

DCS 5413747-0-1 N

PN

THIS DRAWING AND SPECIFICATIONS HEREAFTER ARE THE PROPERTY OF DIGITAL EQUIPMENT CORPORATION AND SHALL NOT BE REPRODUCED OR COPIED OR LOANED IN WHOLE OR IN PART AS THE BASIS FOR THE MANUFACTURE OR SALE OF ITEMS WITHOUT WRITTEN PERMISSION.
 COPYRIGHT © 1968 DIGITAL EQUIPMENT CORPORATION

DCS 5413747-0-1 N 2



NOTE:

1. Q4 AND Q5 MAY BE USED IN PLACE OF E2

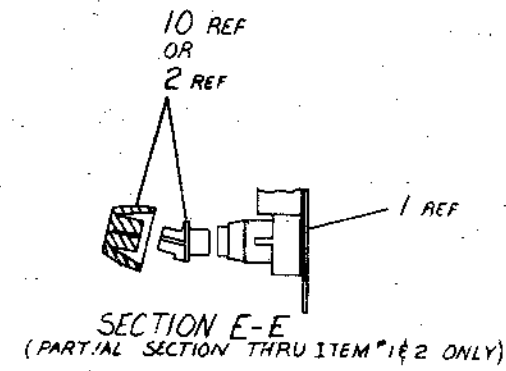
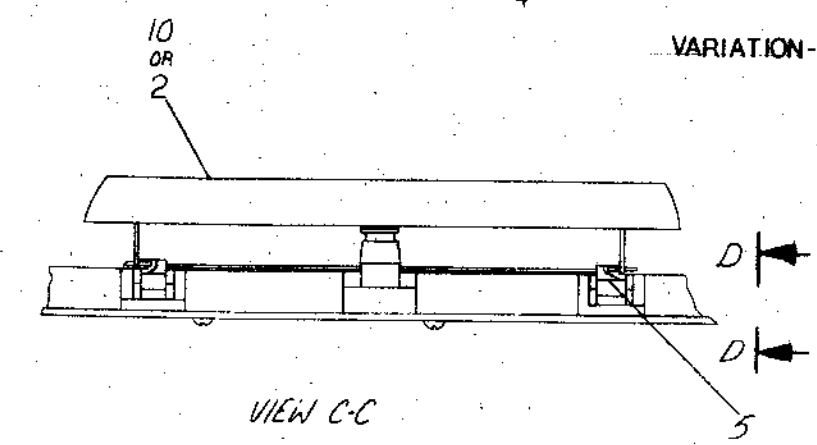
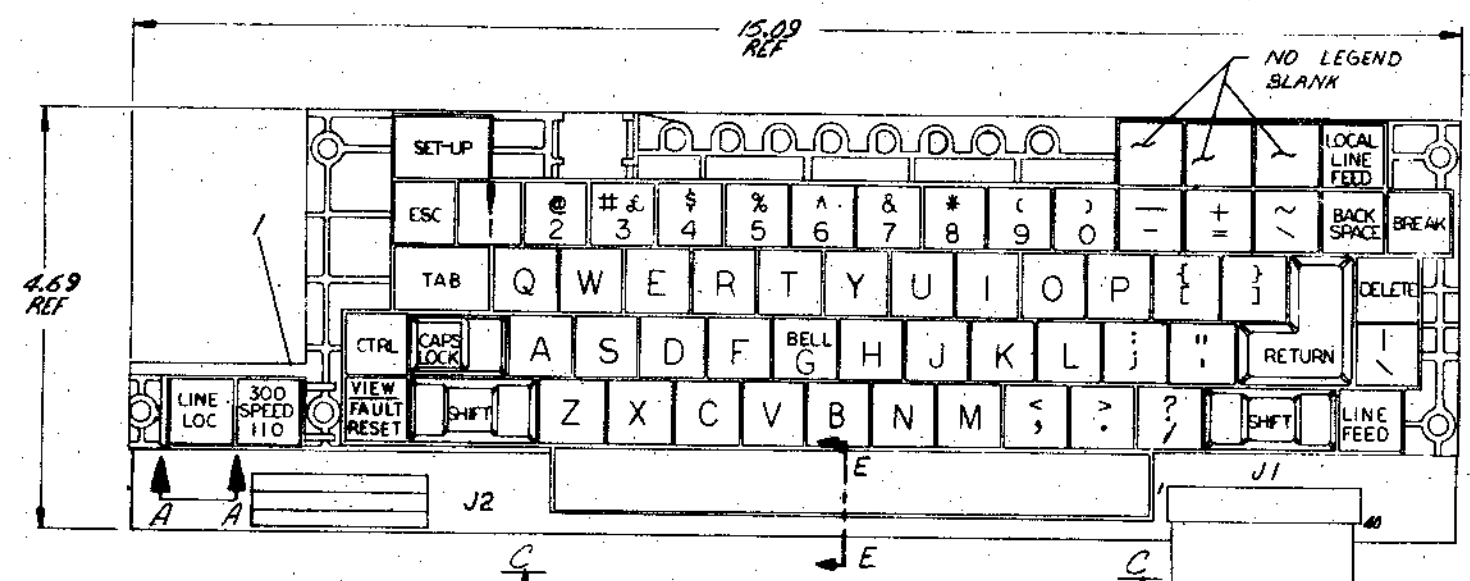
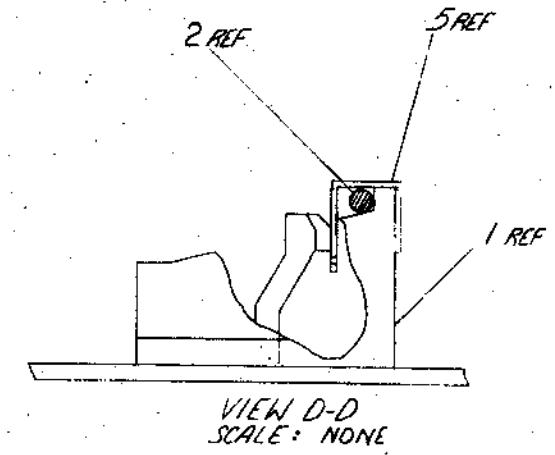
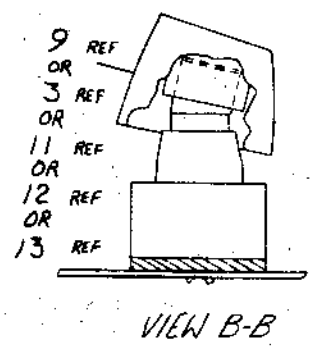
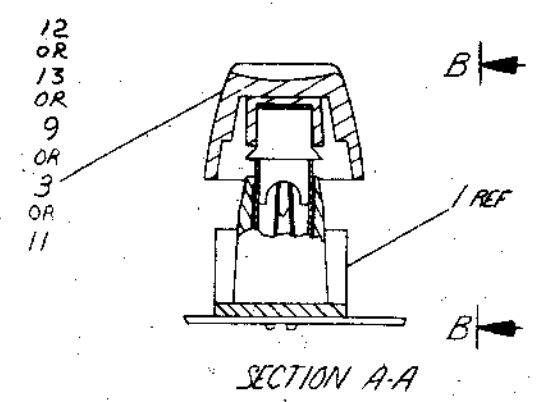
REVISIONS		
CHK	CHANGE NO.	REV.

TITLE	LA34 CONTROL BOARD	SIZE CODE	D CS	NUMBER	5413747-0-1	REV.	N
SCALE		SHEET	5	OF	5	DATE	

DCS 5413747-0-1 N

LEDGEND	
VARIATION	SHEET NO.
7015514-00 AND 01	SHEET NO.1
7015514-02	SHEET NO.2
7015514-03 AND 04	SHEET NO.3

- NOTES:
- FOR 7015514-02 VARIATION CONFIGURATION SEE SHEET 2.
 - DRAWING AS SHOWN REPRESENTS A KEYBOARD KEYCAP ASSY. 7015514-02 AND 7015514-01 WHICH CONTAIN THE BASIC SET MAIN ARRAY 1214335-95 CHARCOAL OR SPECIAL SET 1214333-48 GREY.
 - FOR INDIVIDUAL FIELD SERVICE / CUSTOMER SPARES SHIPMENTS USE PACKAGING INSTRUCTION A-SP-3700456-0-0 VARIATION -10, FOR BULK INTERPLANT SHIPMENTS USE PACKAGING INSTRUCTION A-SP-3700439-0-0 VARIATION -00.



SEE K-PL-7015514-0-DBP

QTY	DESCRIPTION	DWG. PART NO.	ITEM NO.
-	CAP, KEY SET KANA KATA	A-PS-1214333-EZ	11
-	SPACE BAR ASSY (GREY)	D-AD-7015050-01	10
-	CAPS KEY SET (GREY)	1214333-48	9
REF	TEST SPECS	A-SP-7015514-0-2	8
REF	ENGINEERING SPECS	A-SP-7015514-0-1	7
1	KEYBOARD CABLE ASSY	C-1A-7015741-00-0	6
2	CLIP, EQUALIZER	C-MD-702020-00-0	5
68	ADAPTER, KEY CAP	1214332-00	4
-	CHAR. KEY SET (CHARCOAL)	1214333-95	3
1	SPACE BAR ASSY (CHAR)	D-AD-7015050-0-0	2
1	KEYBOARD MODULE ASSY	A-01-512264-0-0	1

UNLESS OTHERWISE SPECIFIED DIMENSIONS ARE IN INCHES		MINIMAL DIMENSION RANGE RESERVE					
CLASS OF ACCURACY	CHECK ONE	DIN 9	DIN 11	DIN 13	DIN 15	DIN 17	DIN 19
ANGLES OF 30°							
SURFACE QUALITY IN							
QUANTITY & VARIATION							

THIRD ANGLE PROJECTION

DO NOT SCALE DWG

REMOVE BURRS AND BREAK SHARP CORNERS

NEXT HIGHER ASSY.

MATERIAL SEE PARTS LIST

FINISH

DRAWN: [Signature]

CHK'D: [Signature]

ENG. BY: [Signature]

PRG. ENG: [Signature]

PROD: [Signature]

FIRST USED ON: LA34

TITLE: KEYBOARD / KEYCAP ASSY.

SIZE: D AD

CODE: 7015514-0-0

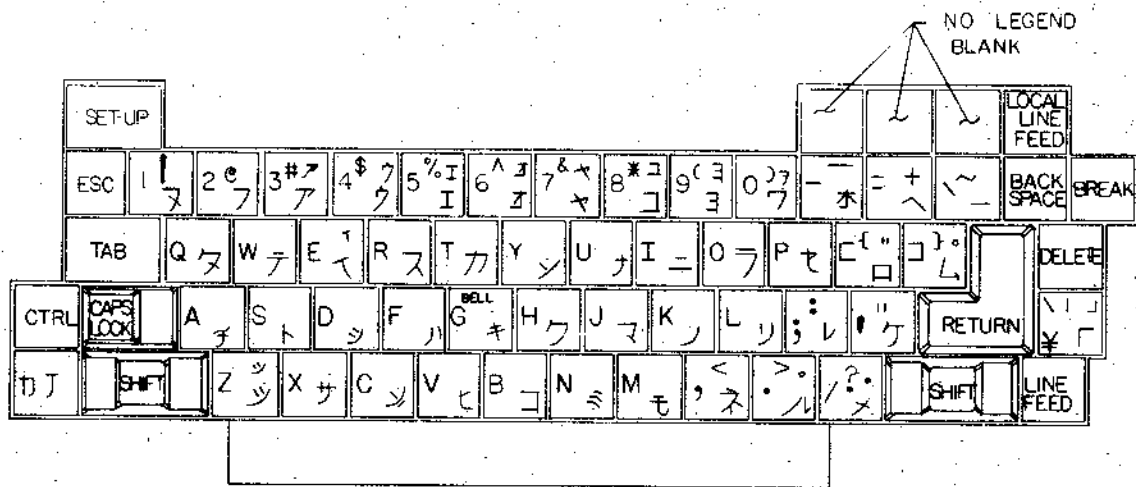
NUMBER: H

REV: H

SHEET: 1 OF 3

NO.	DESCRIPTION	DATE
1	LA34-PN0231A	12/77
2	LA34-PN0331B	12/77
3	LA34-PN059	12/77
4	LA34-PN001	12/77
5	LA34-PN002	12/77
6	LA34-PN003	12/77
7	LA34-PN004	12/77
8	LA34-PN005	12/77
9	LA34-PN006	12/77
10	LA34-PN007	12/77
11	LA34-PN008	12/77
12	LA34-PN009	12/77
13	LA34-PN010	12/77
14	LA34-PN011	12/77
15	LA34-PN012	12/77
16	LA34-PN013	12/77
17	LA34-PN014	12/77
18	LA34-PN015	12/77
19	LA34-PN016	12/77
20	LA34-PN017	12/77
21	LA34-PN018	12/77
22	LA34-PN019	12/77
23	LA34-PN020	12/77
24	LA34-PN021	12/77
25	LA34-PN022	12/77
26	LA34-PN023	12/77
27	LA34-PN024	12/77
28	LA34-PN025	12/77
29	LA34-PN026	12/77
30	LA34-PN027	12/77
31	LA34-PN028	12/77
32	LA34-PN029	12/77
33	LA34-PN030	12/77
34	LA34-PN031	12/77
35	LA34-PN032	12/77
36	LA34-PN033	12/77
37	LA34-PN034	12/77
38	LA34-PN035	12/77
39	LA34-PN036	12/77
40	LA34-PN037	12/77
41	LA34-PN038	12/77
42	LA34-PN039	12/77
43	LA34-PN040	12/77
44	LA34-PN041	12/77
45	LA34-PN042	12/77
46	LA34-PN043	12/77
47	LA34-PN044	12/77
48	LA34-PN045	12/77
49	LA34-PN046	12/77
50	LA34-PN047	12/77
51	LA34-PN048	12/77
52	LA34-PN049	12/77
53	LA34-PN050	12/77
54	LA34-PN051	12/77
55	LA34-PN052	12/77
56	LA34-PN053	12/77
57	LA34-PN054	12/77
58	LA34-PN055	12/77
59	LA34-PN056	12/77
60	LA34-PN057	12/77
61	LA34-PN058	12/77
62	LA34-PN059	12/77
63	LA34-PN060	12/77
64	LA34-PN061	12/77
65	LA34-PN062	12/77
66	LA34-PN063	12/77
67	LA34-PN064	12/77
68	LA34-PN065	12/77
69	LA34-PN066	12/77
70	LA34-PN067	12/77
71	LA34-PN068	12/77
72	LA34-PN069	12/77
73	LA34-PN070	12/77
74	LA34-PN071	12/77
75	LA34-PN072	12/77
76	LA34-PN073	12/77
77	LA34-PN074	12/77
78	LA34-PN075	12/77
79	LA34-PN076	12/77
80	LA34-PN077	12/77
81	LA34-PN078	12/77
82	LA34-PN079	12/77
83	LA34-PN080	12/77
84	LA34-PN081	12/77
85	LA34-PN082	12/77
86	LA34-PN083	12/77
87	LA34-PN084	12/77
88	LA34-PN085	12/77
89	LA34-PN086	12/77
90	LA34-PN087	12/77
91	LA34-PN088	12/77
92	LA34-PN089	12/77
93	LA34-PN090	12/77
94	LA34-PN091	12/77
95	LA34-PN092	12/77
96	LA34-PN093	12/77
97	LA34-PN094	12/77
98	LA34-PN095	12/77
99	LA34-PN096	12/77
100	LA34-PN097	12/77
101	LA34-PN098	12/77
102	LA34-PN099	12/77
103	LA34-PN100	12/77

"THIS DRAWING AND SPECIFICATIONS HEREON ARE THE PROPERTY OF DIGITAL EQUIPMENT CORPORATION AND SHALL NOT BE REPRODUCED OR COPIED OR USED IN WHOLE OR IN PART AS THE BASIS FOR THE MANUFACTURE OR SALE OF ITEMS WITHOUT WRITTEN PERMISSION. COPYRIGHT © 1973 DIGITAL EQUIPMENT CORPORATION"



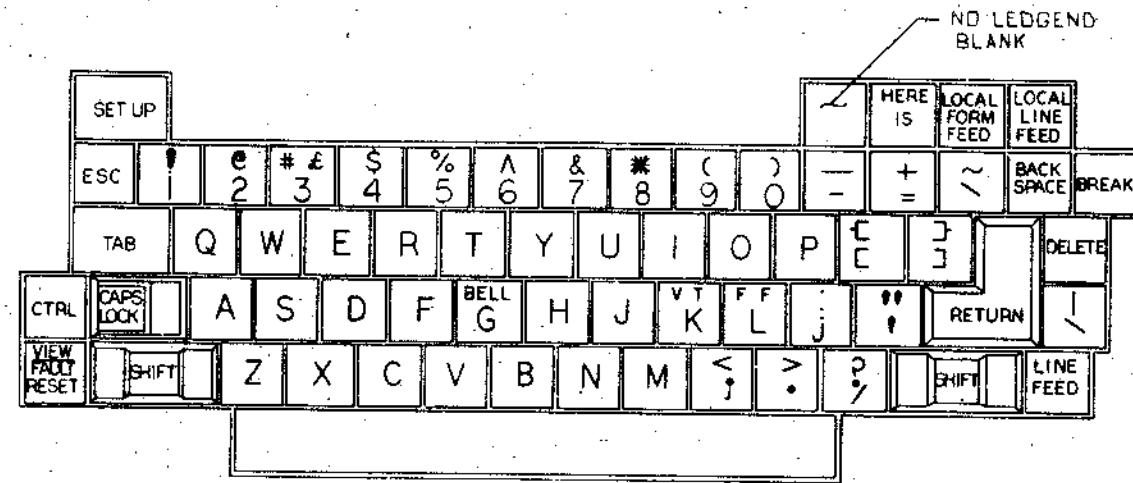
VARIATION 02

REVISIONS		
CHK	CHANGE NO.	REV.

"THIS DRAWING AND SPECIFICATIONS HEREIN ARE THE PROPERTY OF DIGITAL EQUIPMENT CORPORATION AND SHALL NOT BE REPRODUCED OR COPIED OR USED IN WHOLE OR IN PART AS THE BASIS FOR THE MANUFACTURE OR SALE OF ITEMS WITHOUT WRITTEN PERMISSION. COPYRIGHT © 1980 DIGITAL EQUIPMENT CORPORATION"

H: 0-0-7015514-0-0 DAD 2

NOTES:
 1. DRAWING AS SHOWN REPRESENTS A KEYBOARD KEYCAP ASSY. 7015514-03 AND 7015514-04 WHICH CONTAIN THE BASIC SET MAIN ARRAY 1219333-JS CHARCOAL OR SPECIAL SET 1219333-JT GRAY.



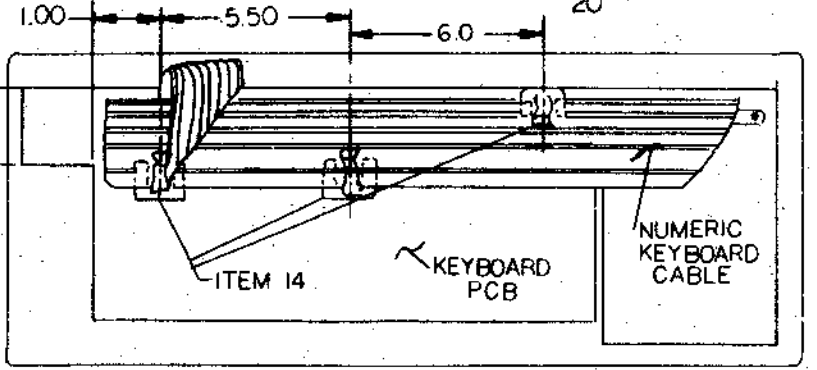
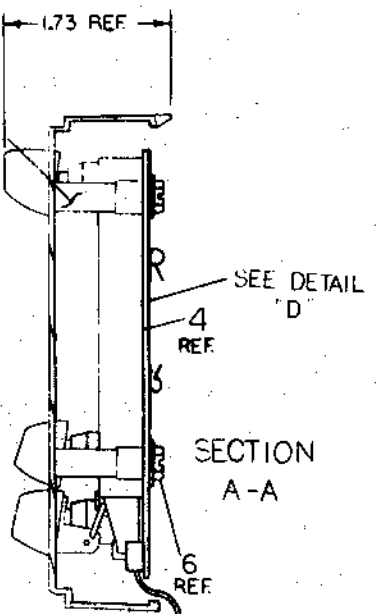
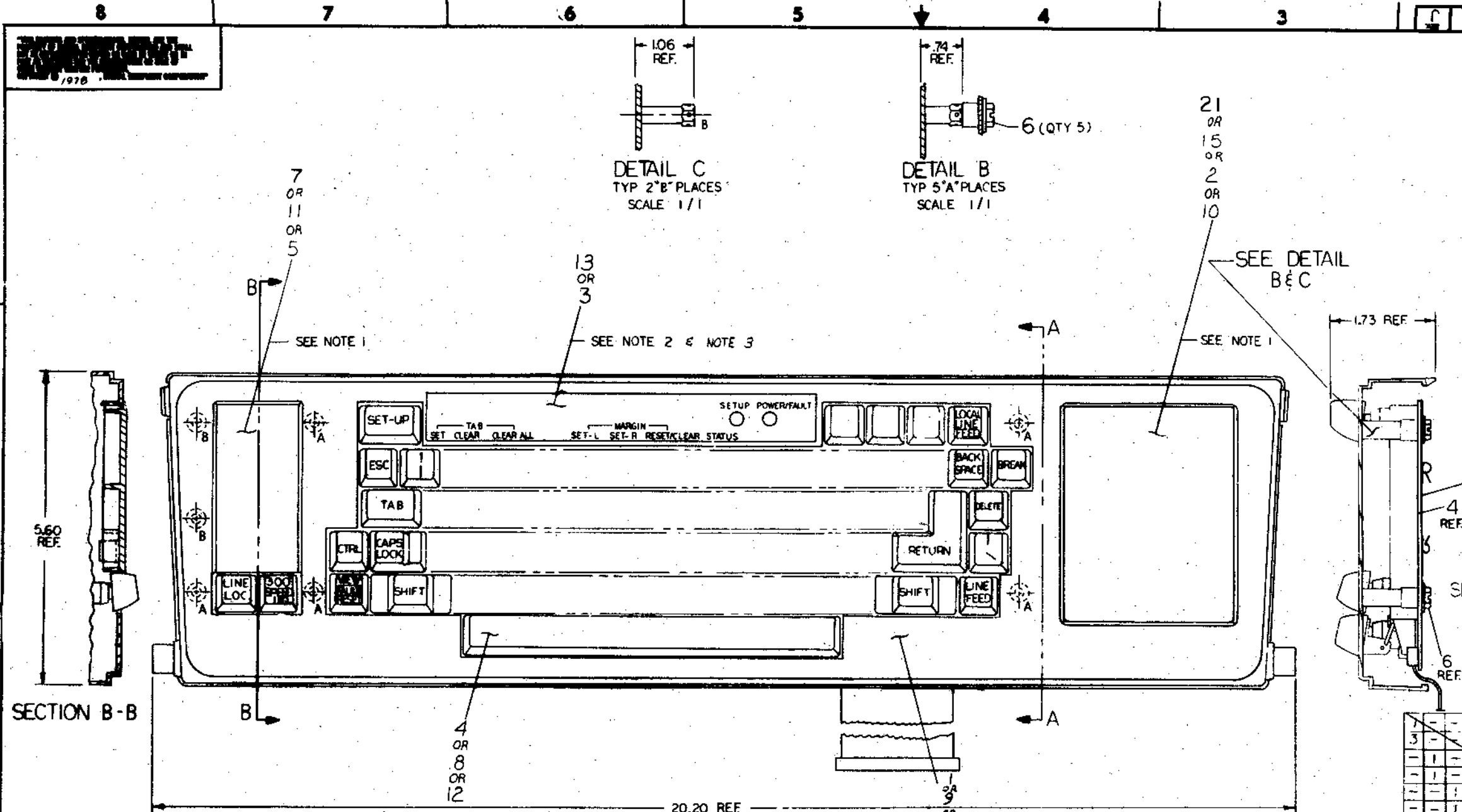
VARIATION - 03 AND 04

REVISIONS		
CHK	CHANGE NO.	REV.

TITLE	KEYBOARD/KEYCAP ASSY.	DESIGNER	DAD	NUMBER	7015514-0-0	REV.	H
SCALE	NONE	SHEET	3	OF	3	DIST.	

NOTES

- ITEM 2, 5, 10, 11, 15, 21 AND 7 ARE SNAPPED INTO PLACE.
- FASTEN ITEM 3, 13 OR 16 TO ITEM 1, 9 OR 20 SUCH THAT NO BUBBLES, WAVINESS, RAISED EDGES OR OTHER INDICATIONS OF POOR ADHESION ARE EVIDENT.
- KEYBOARD PICTURE SHOWN HERE IS -00, -01, -03 AND -06 VARIATION (-02 VARIATION IS KATA KANA).
- FOR BULK INTERPLANT SHIPMENTS USE PACKAGING INSTRUCTIONS A-SP-3700430-0-0 VAR-00.



SEE K-PL-7015730-0-DBP

QTY	DESCRIPTION	DRWG. PART NO.	ITEM NO.
1	NUMERIC KEY PAD	7016653-0-0	15
3	CLAMP, CABLE	9010016-00	14
1	LEGEND STRIP	3616927-00	13
1	KEYBOARD KEYCAP ASSY.	D-AD-7015514-02	12
1	PLUG, KEY SWITCH (GREY)	1218295-01	11
1	CLOSURE, OPTION (GREY)	1215053-01	10
1	BEZEL, KEYBOARD (GREY)	1215297-01	9
1	KEYBOARD ASSY. (GREY)	D-AD-7015514-01	8
REF	INSPECTION PROCEDURE	A-II-7015730-0-1	7
5	SCR. SLOTTED HEX WASHDR 602.5ALC	9010097	6
1	PLUG, KEY SWITCH	1215296-00	5
1	KEYBOARD ASSY	D-AD-7015514-0-0	4
1	LEGEND STRIP	3615450-00	3
1	CLOSURE, OPTION	1215053-00	2
1	BEZEL, KEYBOARD	1215297-00	1

REV	DATE	BY	CHKD	APP'D	DESCRIPTION
1	27 Jul 77	J. BITTO			INITIAL RELEASE
2	27 Jul 77	J. BITTO			REVISION
3	27 Jul 77	J. BITTO			REVISION
4	27 Jul 77	J. BITTO			REVISION
5	27 Jul 77	J. BITTO			REVISION
6	27 Jul 77	J. BITTO			REVISION
7	27 Jul 77	J. BITTO			REVISION
8	27 Jul 77	J. BITTO			REVISION
9	27 Jul 77	J. BITTO			REVISION
10	27 Jul 77	J. BITTO			REVISION
11	27 Jul 77	J. BITTO			REVISION
12	27 Jul 77	J. BITTO			REVISION
13	27 Jul 77	J. BITTO			REVISION
14	27 Jul 77	J. BITTO			REVISION
15	27 Jul 77	J. BITTO			REVISION
16	27 Jul 77	J. BITTO			REVISION
17	27 Jul 77	J. BITTO			REVISION
18	27 Jul 77	J. BITTO			REVISION
19	27 Jul 77	J. BITTO			REVISION
20	27 Jul 77	J. BITTO			REVISION
21	27 Jul 77	J. BITTO			REVISION
22	27 Jul 77	J. BITTO			REVISION
23	27 Jul 77	J. BITTO			REVISION
24	27 Jul 77	J. BITTO			REVISION
25	27 Jul 77	J. BITTO			REVISION
26	27 Jul 77	J. BITTO			REVISION
27	27 Jul 77	J. BITTO			REVISION
28	27 Jul 77	J. BITTO			REVISION
29	27 Jul 77	J. BITTO			REVISION
30	27 Jul 77	J. BITTO			REVISION

UNLESS OTHERWISE SPECIFIED DIMENSIONS ARE IN INCHES

CLASS OF ACCURACY	FORMER USE	1.00	0.50	0.25	0.125	0.0625	0.03125
ASSEMBLY	PRECISION	1.00	0.50	0.25	0.125	0.0625	0.03125
FINISH	PRECISION	1.00	0.50	0.25	0.125	0.0625	0.03125

THIRD ANGLE PROJECTION

REMOVE BURRS AND BREAK SHARP EDGES

DO NOT SCALE DIMS

MATERIAL: SEE PARTS LIST

FINISH: NONE

DRN: LA34

CHKD: [Signature]

ENGR: [Signature]

PROJ: [Signature]

PREP: [Signature]

NEXT NUMBER ASSY.

D-AD-7015730-0-0

SCALE: NONE

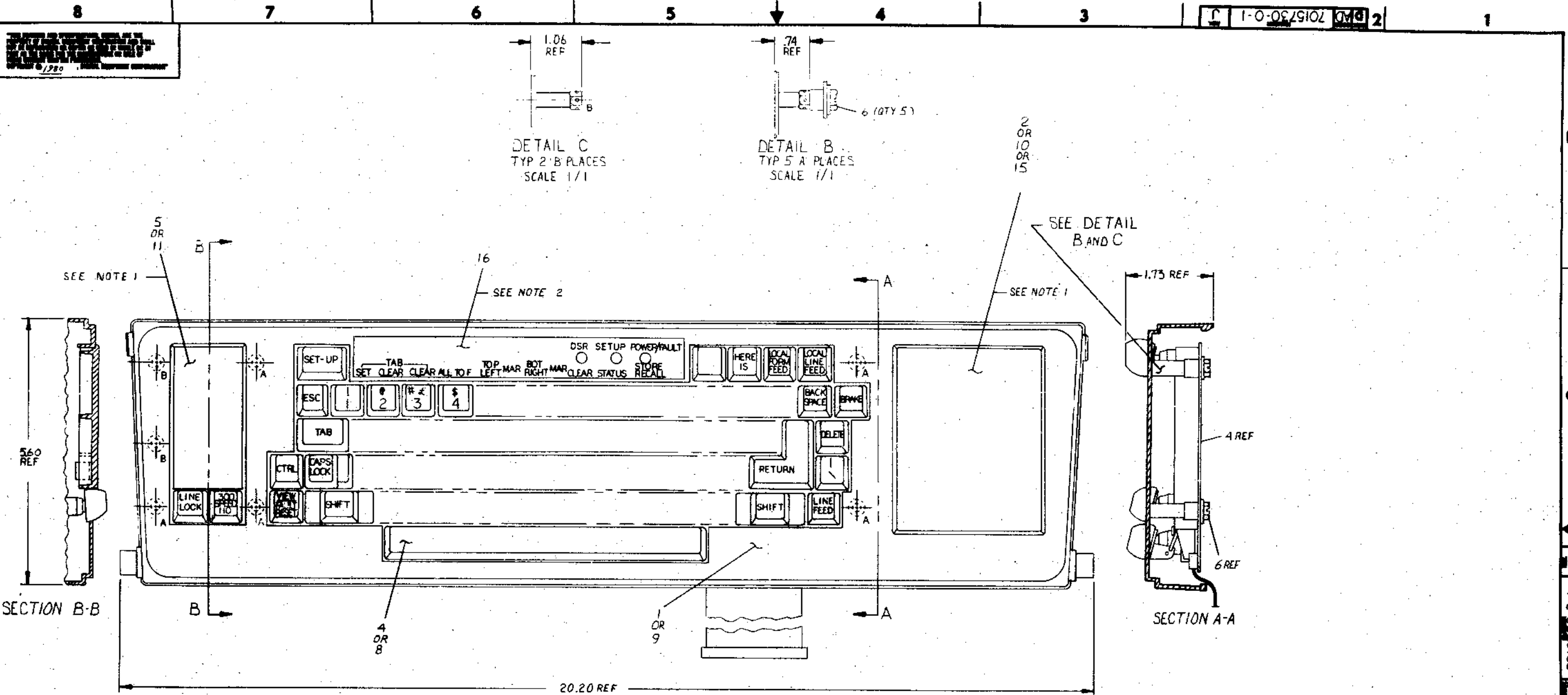
SHEET: 2 OF 2

TITLE: KEYBOARD BEZEL ASSY.

SIZE CODE: D

NUMBER: AD 7015730-0-0

REV: J



DRAWING AS SHOWN REPRESENTS
7015730-04, 05 AND 07 VARIATIONS

DESCRIPTION		DRAW/PART NO.		REV.	
UNLESS OTHERWISE SPECIFIED DIMENSIONS ARE IN INCHES					
ANGLES	FINISH	DATE	BY	CHKD	APP'D
OF 20	CLASS	7-5-78	JOSEPH	HEALY	ERDEKIAN
ACCURACY	ACCURACY	7-6-78	HARVEY	DIGLIO	ERDEKIAN
SURFACE	QUALITY	7-7-78	ERDEKIAN		
IN	IN				
QUANTITY	VARIATION				
THIRD ANGLE PROJECTION		DRAWN BY		PART USED ON	
REVISE DIMS AND DIMS GROUP DIMS		D-AD-7015730-0-0		LA34	
NO REFERENCE DIMS		SCALE NONE		TITLE	
DATE		D-AD-7015730-0-0		KEYBOARD BEZEL ASSY.	
PREF		SCALE NONE		REV.	
		D AD		7015730-0-0	
		REV.		J	

"THE MATERIAL HEREIN IS FOR INFORMATION PURPOSES ONLY AND IS SUBJECT TO CHANGE WITHOUT NOTICE. DIGITAL EQUIPMENT CORPORATION ASSUMES NO RESPONSIBILITY FOR ANY ERRORS WHICH MAY APPEAR HEREIN."

FIELD MAINTENANCE PRINT SET

"THIS DRAWING AND SPECIFICATIONS, HEREIN, ARE THE PROPERTY OF DIGITAL EQUIPMENT CORPORATION AND SHALL NOT BE REPRODUCED OR COPIED OR USED IN WHOLE OR IN PART AS THE BASIS FOR THE MANUFACTURE OR SALE OF ITEMS WITHOUT WRITTEN PERMISSION. COPYRIGHT © 1979 DIGITAL EQUIPMENT CORPORATION."

TABLE OF CONTENTS

B-TC-LAX34-KL-1	NUMERIC KEYPAD OPTION (TS)
B-PL-LAX34-KL-0	NUMERIC KEYPAD OPTION (PL)
C-AR-LAX34-KL-2	NUMERIC KEYPAD OPTION (ARRANGEMENT)
D-CS-5413646-0-1	NUMERIC KEYPAD LA34 (TS)
D-UA-5413646-0-0	NUMERIC KEYPAD LA34
K-PL-5413646-0-DPB	NUMERIC KEYPAD LA34 (PL)

UNIT VARIATIONS COVERED BY THIS PRINT SET
LAX34-KL

LAX34-KL
**Field Maintenance
Print Set**

**Digital Equipment
Corporation**

PRINT SET ORDER NO
MP00752

REVISEIONS	DATE	CHG. NO.	REV.	USED ON OPTION/MODEL	DRN.	DATE	TITLE: NUMERIC KEYPAD OPTION digital	SIZE B	CODE TC	NUMBER LAX34-KL-1	REV.
				LA34	<i>D Hoag</i>	27 MAR 79					
				LA38	<i>D Hoag</i>	28 MAR 79					
					<i>Al La...</i>	4/1/79					
					<i>Al La...</i>	15 APR 79					
					FIELD SERV.	DATE					

REV. NUMBER LAX34-KL-1

DIGITAL EQUIPMENT CORPORATION PARTS LIST

QUANTITY / VARIATION

NOTES:

MADE BY <i>J. Neagy</i>	CHECKED <i>J. Neagy</i>	SECTION
DATE <i>27 MAR 79</i>	DATE <i>28 MAR 79</i>	1
ENG <i>D. DeLeon</i>	PROD <i>J. Neagy</i>	ISSUED SECTION
DATE <i>6 April 79</i>	DATE <i>12/4/79</i>	1

ITEM NO.	DRAWING NO.	PART NO.	DESCRIPTION
1	C-IA-7016653-0-0	7016653-00	NUMERIC KEYPAD ASSY, LAX34
2		9010016-00	CLAMP, CABLE ADH. BACK
3	C-AR-LAX34-KL-Ø		NUMERIC KEYPAD OPTION (ARRANGEMENT)

LAX34-KL

1
3
REF

REF DESIGNATION

E.C.O. NO.

"THIS DRAWING AND SPECIFICATIONS, HEREIN, ARE THE PROPERTY OF DIGITAL EQUIPMENT CORPORATION AND SHALL NOT BE REPRODUCED OR COPIED OR USED IN WHOLE OR IN PART AS THE BASIS FOR THE MANUFACTURE OR SALE OF ITEMS WITHOUT WRITTEN PERMISSION.
COPYRIGHT © DIGITAL EQUIPMENT CORPORATION"

TITLE
NUMERIC KEYPAD OPTION

ASSY NO.
NONE

SHEET 1 OF 1

SIZE B CODE PL NUMBER LAX34-KL-Ø

INSERTION PARTS LIST DATA BASE REV

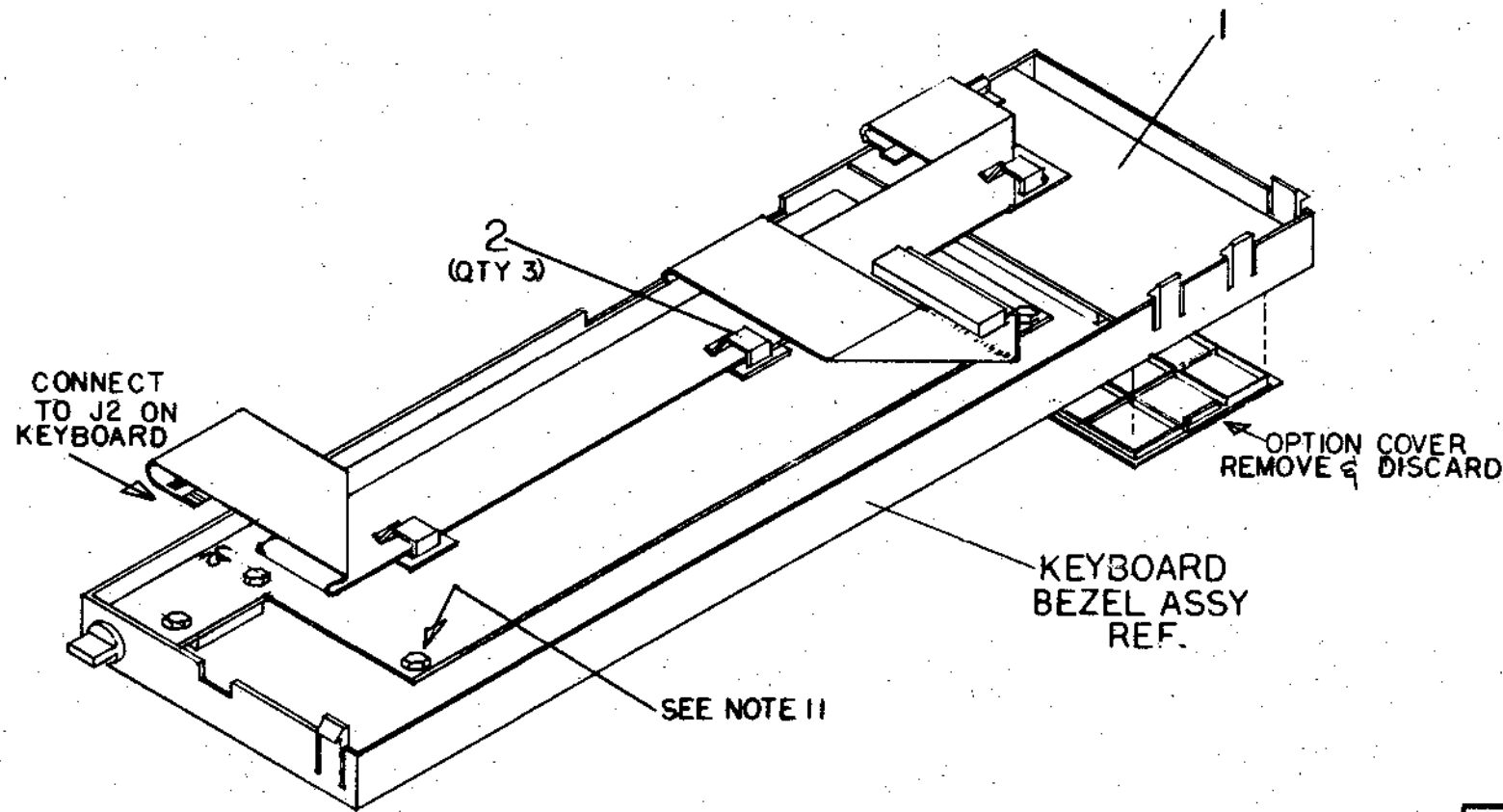
THIS DRAWING AND SPECIFICATIONS HEREIN ARE THE PROPERTY OF DIGITAL EQUIPMENT CORPORATION AND SHALL NOT BE REPRODUCED OR COPIED OR USED IN WHOLE OR IN PART AS THE BASIS FOR THE MANUFACTURE OR SALE OF ITEMS WITHOUT WRITTEN PERMISSION.
 COPYRIGHT © 1979 DIGITAL EQUIPMENT CORPORATION

NUMERIC KEYPAD INSTALLATION

USE THE FOLLOWING PROCEDURE TO INSTALL THE NUMERIC KEYPAD OPTION.

12. REMOVE OPTION CLOSURE BY DEPRESSING RETAINING CLIPS AT BOTH ENDS.
13. CAREFULLY SNAP NUMERIC KEYPAD ASSEMBLY INTO PLACE.
14. CONNECT CONNECTOR ON THE NUMERIC KEYPAD TO J2 ON MAIN KEYBOARD. APPLY CABLE CLAMPS AS SHOWN.
15. REINSTALL KEYBOARD AND REASSEMBLE BY PERFORMING STEPS 1-10 IN REVERSE ORDER.
16. PARTS LIST SHOWN FOR ORIENTATION PURPOSES ONLY.

1. REMOVE POWER FROM TERMINAL AND DISCONNECT THE AC PLUG.
2. REMOVE PAPER HOLDER OR TRACTORS OPTION (IF INSTALLED), AND REMOVE PAPER.
3. REMOVE THE ACCESS COVER BY DEPRESSING THE TWO ACCESS COVER RETAINER CLIPS.
4. REMOVE THE RIBBON CARTRIDGE.
5. LIFT BAIL BAR TO GAIN ACCESS TO PLATEN. REMOVE PLATEN BY SIMULTANEOUSLY DEPRESSING THE TWO PLATEN RELEASE LEVERS. LIFT PLATEN STRAIGHT OUT.
6. WITH A SMALL BLADE SCREWDRIVER, RELEASE THE FOUR POP FASTENERS THAT SECURE THE HOUSING COVER TO BASE ASSEMBLY.
7. REMOVE HOUSING COVER BY LIFTING STRAIGHT UP.
8. DEPRESS BEZEL RETAINER CLIPS AND ROTATE KEYBOARD BEZEL ASSEMBLY TOWARD THE FRONT OF TERMINAL.
9. REMOVE KEYBOARD CONNECTOR FROM J6 ON THE LOGIC BOARD.
10. LIFT KEYBOARD BEZEL ASSEMBLY STRAIGHT OUT OF THE HOUSING BASE ASSEMBLY.
11. TURN KEYBOARD BEZEL ASSEMBLY UPSIDE DOWN ON A PIECE OF FOAM OR BUBBLE PLASTIC AND REMOVE FIVE HEX HD SCREWS RETAINING KEYBOARD TO BEZEL.



QTY	DESCRIPTION	DWG./PART NO.	ITEM NO.
2	CLAMP, CABLE	9010016-00	2
1	NUMERIC KEYPAD ASSY.	GIA7016653-0-0	1

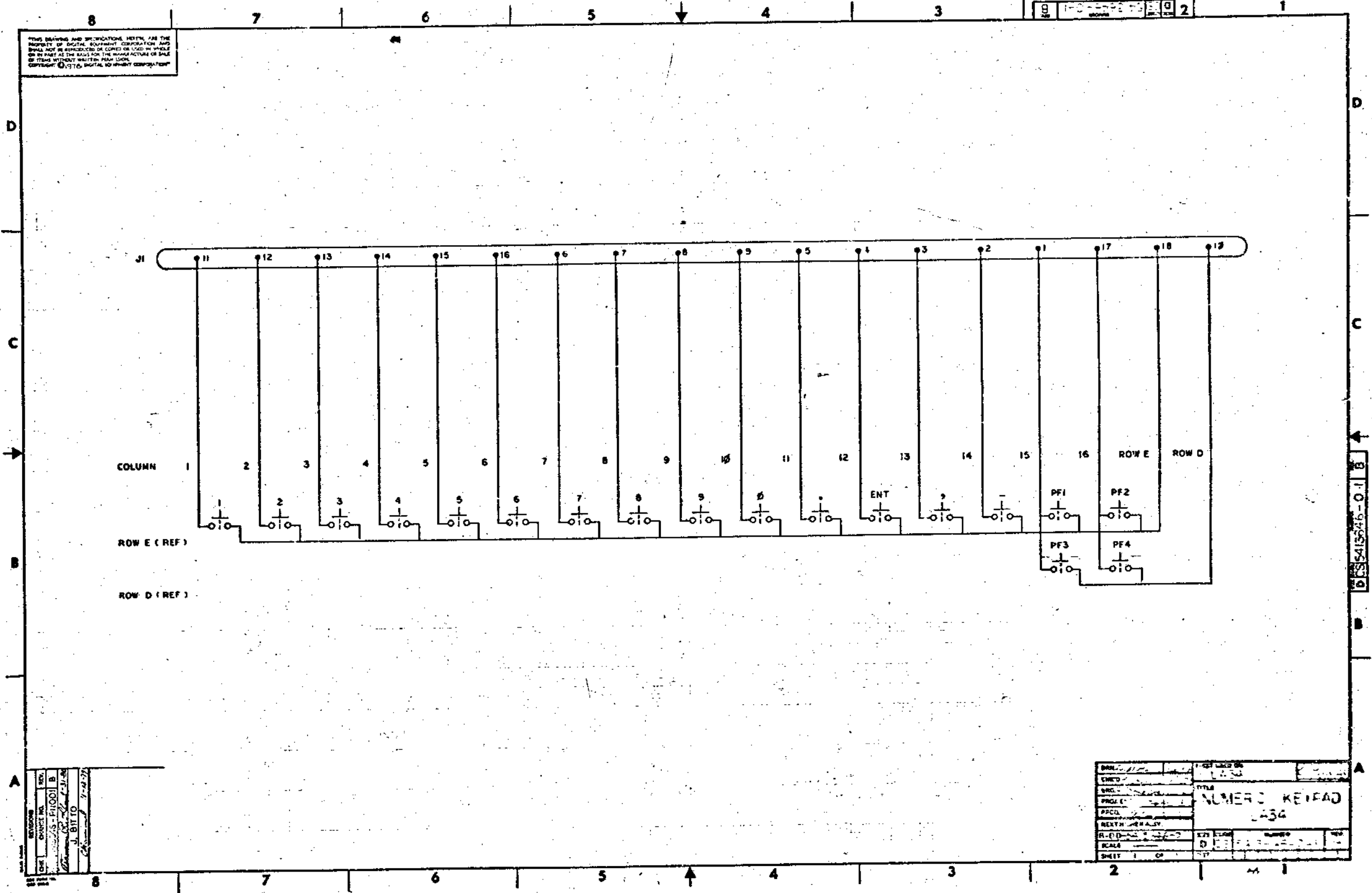
THIRD ANGLE PROJECTION		FIRST USED ON	
REMOVE BURRS AND BREAK SHARP CORNERS		LA34/38 digital	
DO NOT SCALE DWG		TITLE	
NEXT HIGHER ASSY.		NUMERIC KEYPAD OPTION	
MATERIAL	B-D5-LAX34-KL	SIZE	CODE
FINISH		C	AR
SHEET 1 OF 1		NUMBER	REV.
		LAX34-KL-2	

REV.	
CHANGE NO.	
CHK	

DEC FORM NO. 006 100-4

C AR LAX34-KL-2

THIS DRAWING AND SPECIFICATIONS HEREIN ARE THE PROPERTY OF DIGITAL EQUIPMENT CORPORATION AND SHALL NOT BE REPRODUCED OR COPIED OR LOANED IN WHOLE OR IN PART AS THE BASIS FOR THE MANUFACTURE OR SALE OF ITEMS WITHOUT WRITTEN PERMISION FROM DIGITAL EQUIPMENT CORPORATION.



DATE: 11/1/73
 DRAWN BY: J. BITTO
 CHECKED BY: J. BITTO
 DESIGNED BY: J. BITTO
 PROJECT: 11-10000 B
 PART: 11-10000 B
 REV: 1-10000 B

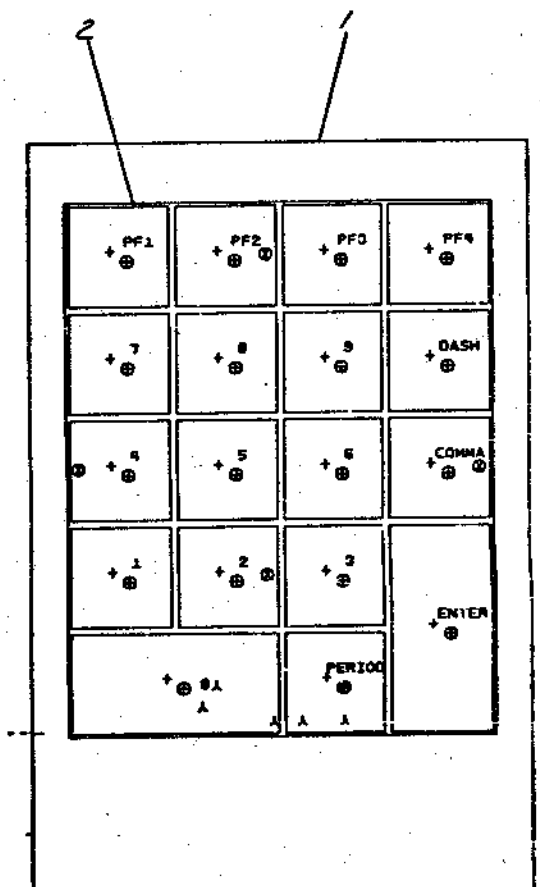
DATE: 11/1/73	DESIGNED BY: J. BITTO
DRAWN BY: J. BITTO	CHECKED BY: J. BITTO
PROJECT: 11-10000 B	TITLE: NUMERIC KEYPAD
PART: 11-10000 B	REV: 1-10000 B
SCALE: 1:1	SHEET: 1 OF 1

DES 5413546-01 B

8 7 6 5 4 3 2 1

THIS DRAWING AND SPECIFICATIONS, WHETHER FOR THE REPRODUCTION OF ANY PART THEREOF OR FOR ANY OTHER PURPOSE, ARE THE PROPERTY OF THE UNITED STATES GOVERNMENT AND ARE NOT TO BE REPRODUCED OR TRANSMITTED IN ANY FORM OR BY ANY MEANS, ELECTRONIC OR MECHANICAL, INCLUDING PHOTOCOPYING, RECORDING, OR BY ANY INFORMATION STORAGE AND RETRIEVAL SYSTEM, WITHOUT PERMISSION FROM THE DIRECTOR OF THE NATIONAL BUREAU OF STANDARDS.

COMPONENT SIDE VIEW

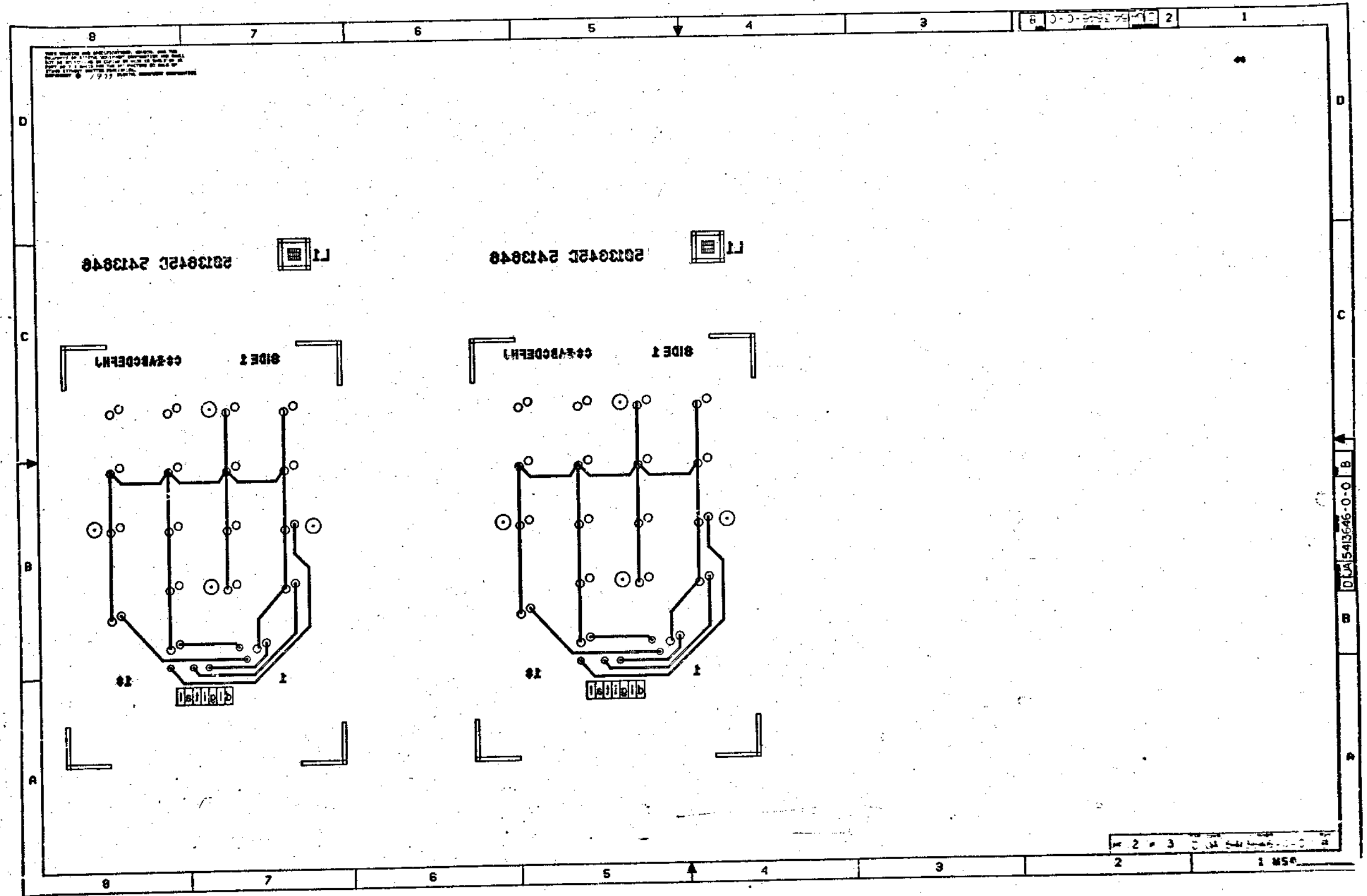


NOTES:		
CHANGE NO. REV.		
DESIGNED BY		
DRAWN BY		
CHECKED BY		
APPROVED BY		
DATE		
REVISED BY		
DATE		
APPROVED BY		
DATE		

ETCH REV. C	

SIGNATURES	DATE
DRN.	5-2-57
CHK. D.	
MECH. ENG.	
PROJ. ENG.	
PRG.	
SCALE 2/1	
SHT. 1 OF 1	
NEXT HIGHER POST.	

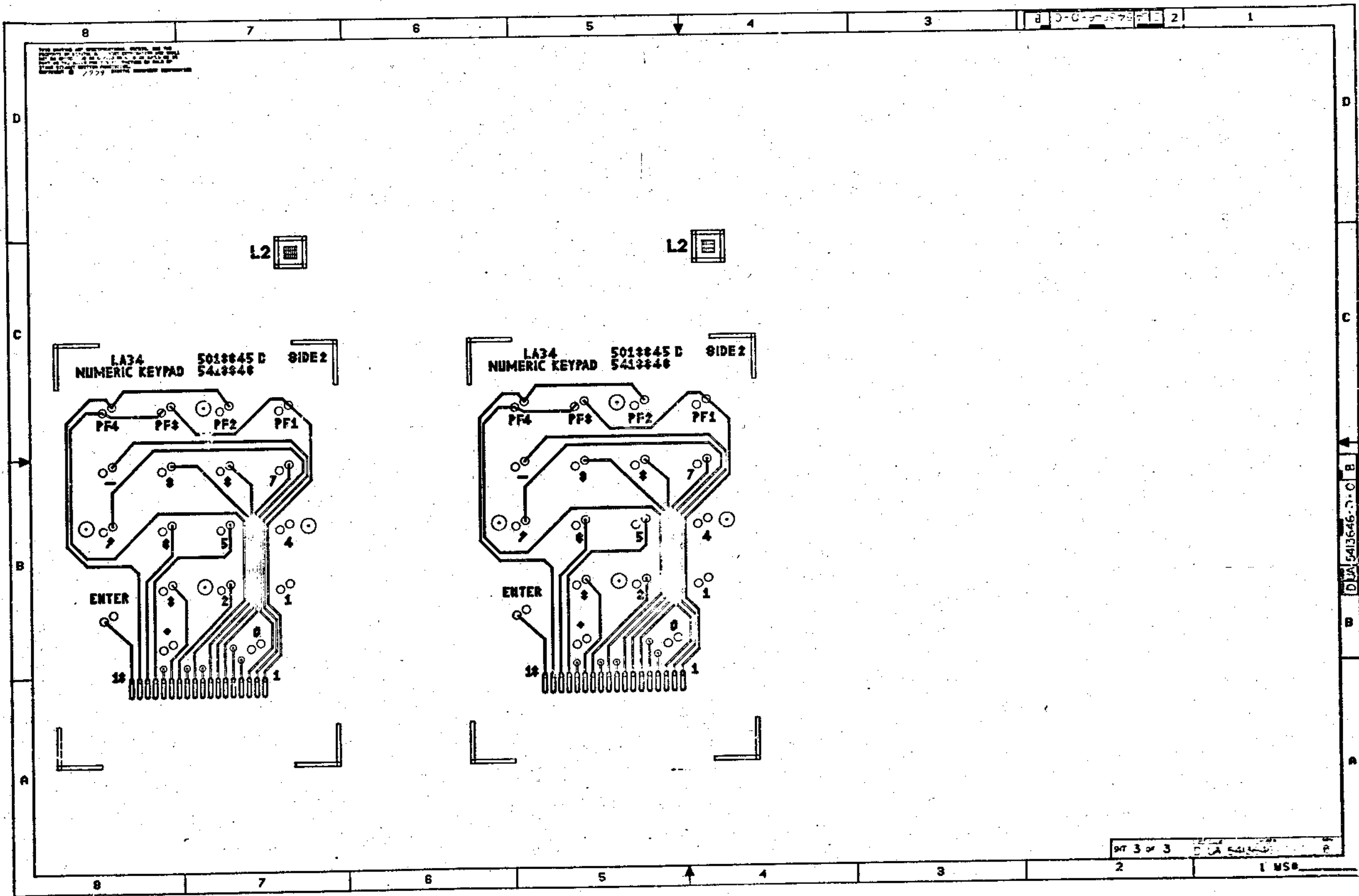
8 7 6 5 4 3 2 1



THIS DRAWING AND ASSOCIATED DOCUMENTS ARE THE
 PROPERTY OF THE UNITED STATES GOVERNMENT AND ARE
 TO BE USED FOR THE PURPOSES SPECIFIED IN THE
 CONTRACT. IT IS TO BE RETURNED TO THE
 CONTRACTING OFFICE AT THE END OF THE PROJECT.
 CONTRACT NO. DA15413646-0-0 B

2 3 4 5 6 7 8

DJA15413646-0-0 B



DIA 5413846-3-C-B

AUTOMATED BY PRTLSL2D(16)

PARTS LIST

SHEET A1 OF A1

QUANTITY PER VARIATION
00

LINE	ITEM	DOCUMENT NUMBER	PART NUMBER	DESCRIPTION	QUANTITY PER VARIATION
1	1		8013645-00	DRILL & ETCH SD	1
2	2		7014961-00	18 KEY NUMERIC PAD ASSY	1
3	3		8016033-00	SCREW,PAN,PHILLIPS, 4-24 X 1/2	4

REVISION HISTORY		BASIC PART NO: 5413645		DRN	M. KIPLEY	DATE: 19-JUN-78	D I G I T A L	
SECT	ECO NUMBER	REV	SECTION A OF A	CHK	BY	DATE	TITLE	PARIS LIST
	INIT	A	SECTION, VARIATION INDEX	CK	B. DONAHUE	DATE: 19-JUN-78	NUMERIC KEYPAD L414	
J8	5413646-PN001	B	(A) 00					
		(B)			DES. ENG. I B. DONAHUE	DATE: 30-OCT-78		
		(C)			MESP. ENG. I B. DONAHUE	DATE: 30-OCT-78		DOCUMENT NUMBER
		(D)					SIZE	CODE NUMBER
		(E)			MFG. ENG. I VAN ERDEKIAN	DATE: 30-OCT-78	K	PL 5413646-C-DBP
		(F)			ASSEMBLY NUMBER I	TOP DOCUMENT NUMBER I	FILE NAME I	EDIT I
					ID-UA-5413646-0-0	8-DD-5413646-0-0		13646B.PLS

*THIS DRAWING AND SPECIFICATIONS HEREIN, ARE THE PROPERTY OF DIGITAL EQUIPMENT CORPORATION AND SHALL NOT BE REPRODUCED OR COPIED OR USED IN WHOLE OR IN PART AS THE BASIS FOR THE MANUFACTURE OR SALE OF ITEMS WITHOUT WRITTEN PERMISSION. COPYRIGHT (C) 1980, DIGITAL EQUIPMENT CORPORATION *

AUTOMATED BY PRTLST,3L(40)

PARTS LIST

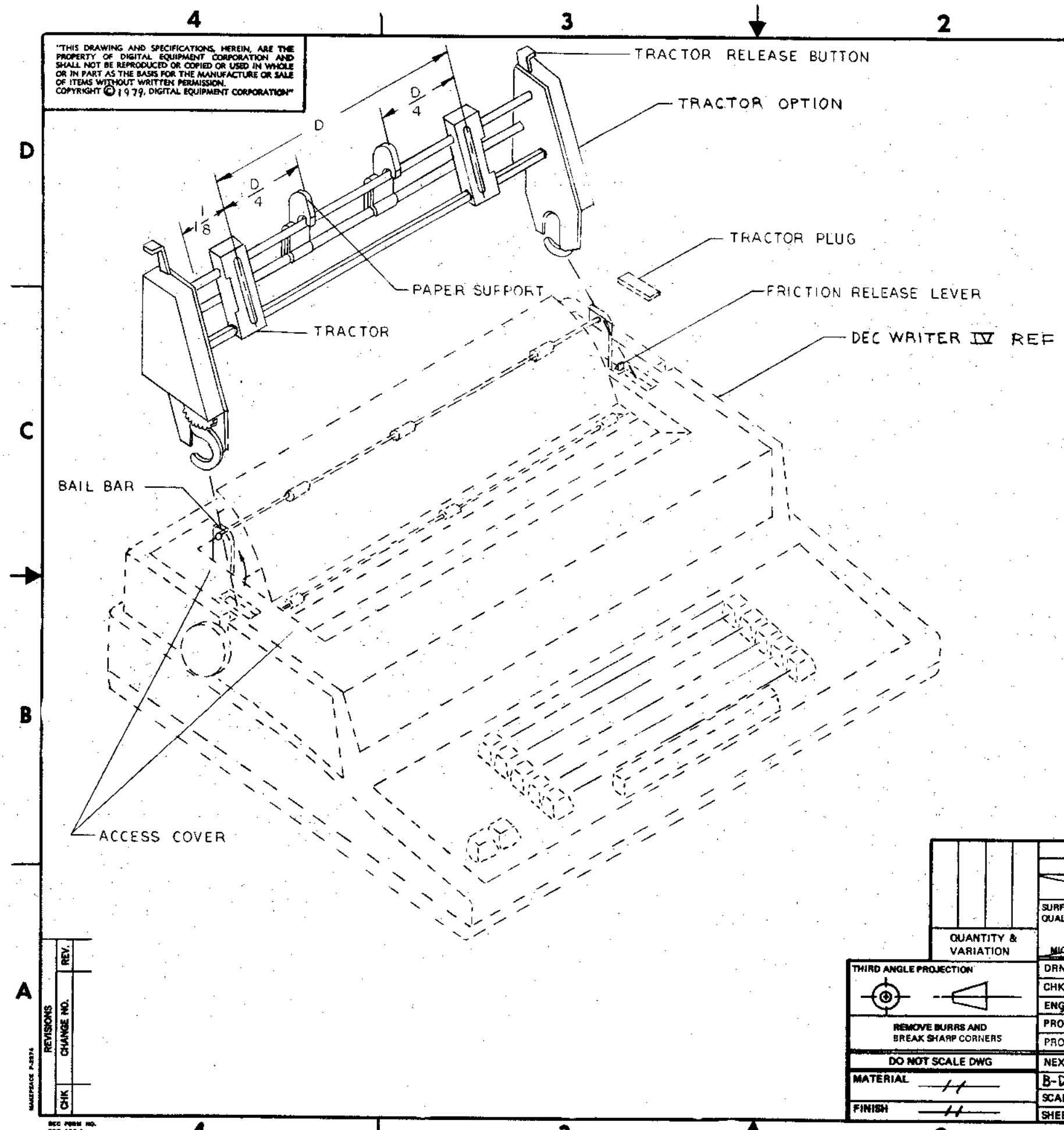
ET A1 OF A1

LINE ITEM	DOCUMENT NUMBER	PART NUMBER	DESCRIPTION	QUANTITY PER VARIATION
1	D=AD=7016260=0=0	7016260=00	TRACTOR PREP	1
2	D=AR=LAX34=AL=1		TRACTOR OPTION ARRANGEMENT	REF
3	A=SP=3700530=0=0	3700530=11	GENERAL PURPOSE SHRINK PACKAGE	1

REVISION HISTORY		BASIC PART NO: LAX34		DRN: D HEALY	DATE: 28-MAR-79	DIGITAL	
ENG: ECO NUMBER	REV	SECTION A OF A	CHK'D: D HEALY	DATE: 28-MAR-79	TITLE PARTS LIST		
--- INITIAL	A	SECTION, VARIATION INDEX			TRACTOR OPTION		
JB LAX34-PN012	A	(A) AL			DOCUMENT NUMBER		
		(B)	DES. ENG. 1 R COURTENMANCHE	DATE: 26-JUL-79	SIZE: CODE: NUMBER	REV	
		(C)			K PL	LAX34-AL-DBP	A
		(D)	RESP. ENG. 1 R COURTENMANCHE	DATE: 4-DEC-79	FILE NAME: ZX34AL.PLS		
		(E)			EDIT #		
		(F)	MEG. ENG. 1 L MIER	DATE: 26-JUL-79	B=DD=LAX34=AL=0		
			ASSEMBLY NUMBER:	TOP DOCUMENT NUMBER:			

"THIS DRAWING AND SPECIFICATIONS HEREIN, ARE THE PROPERTY OF DIGITAL EQUIPMENT CORPORATION AND SHALL NOT BE REPRODUCED OR COPIED OR USED IN WHOLE OR IN PART AS THE BASIS FOR THE MANUFACTURE OR SALE OF ITEMS WITHOUT WRITTEN PERMISSION. COPYRIGHT (C) 1980, DIGITAL EQUIPMENT CORPORATION"

"THIS DRAWING AND SPECIFICATIONS, HEREIN, ARE THE PROPERTY OF DIGITAL EQUIPMENT CORPORATION AND SHALL NOT BE REPRODUCED OR COPIED OR USED IN WHOLE OR IN PART AS THE BASIS FOR THE MANUFACTURE OR SALE OF ITEMS WITHOUT WRITTEN PERMISSION. COPYRIGHT © 1979, DIGITAL EQUIPMENT CORPORATION"



NOTES:

1. REMOVE THE ACCESS COVER BY PRESSING THE RETAINER CLIPS AT BOTH ENDS OF ASSY.
2. POPOUT THE TRACTOR PLUGS FROM THE ACCESS COVER.
3. REINSTALL THE ACCESS COVER.
 - A. LIFT BAIL BAR TO THE BACK UPPER POSITION.
 - B. BRING THE FRICTION RELEASE LEVER TO THE FORWARD (ROLLER DISENGAGED) POSITION.
4. PRESS THE TRACTOR RELEASE BUTTONS AND SNAP THE TRACTOR OPTION INTO PLACE ON THE PLATTEN (SEE DWG). TO REMOVE REVERSE PROCEDURE.
5. OPERATION REQUIREMENTS: LOCATE THE PAPER SUPPORTS APPROX. 1/4 THE TRACTOR TO TRACTOR SPACING. CLAMP THE L.H. TRACTOR APPROX. 1 1/8 INCHES FROM THE SIDE PLATE. EXCESSIVE LATERAL PAPER TENSION IS NOT REQUIRED OR RECOMMENDED WHEN CLAMPING THE R.H. TRACTOR.

REVISIONS	REV.
CHANGE NO.	
CHK	

QUANTITY & VARIATION		DESCRIPTION		DWG./PART NO.		ITEM NO.	
UNLESS OTHERWISE SPECIFIED DIMENSIONS ARE IN INCHES							
ANGLES		CLASS OF ACCURACY		NOMINAL DIMENSION RANGE INCHES			
±0° 30'		(CHECK ONE)		OVER 0 TO 0.2	OVER 0.2 TO 1.2	OVER 1.2 TO 4.0	OVER 4.0 TO 12.0
SURFACE QUALITY IN		MEDIUM		±.004	±.008	±.012	±.016
MICROINCHES		PREFERRED		±.012	±.016	±.025	±.04
THIRD ANGLE PROJECTION		DRN. <i>R. Bandy</i> 27 MAR 79		FIRST USED ON		LA34/38	
REMOVE BURRS AND BREAK SHARP CORNERS		CHK'D. <i>D. Henry</i> 28 MAR 79		TITLE		digital	
DO NOT SCALE DWG		PROJ. ENG. <i>J. Bandy</i> 4/1/79		TRACTOR OPTION			
MATERIAL		NEXT HIGHER ASSY.		SIZE		NUMBER	
FINISH		B-DD-LAX34-AL		C AR		LAX34-AL-2	
		SCALE NONE		DIST.		REV.	
		SHEET 1 OF 1					

CAR LAX34-AL-2 X21

"THE MATERIAL HEREIN IS FOR INFORMATION PURPOSES ONLY AND IS SUBJECT TO CHANGE WITHOUT NOTICE. DIGITAL EQUIPMENT CORPORATION ASSUMES NO RESPONSIBILITY FOR ANY ERRORS WHICH MAY APPEAR HEREIN."

FIELD MAINTENANCE PRINT SET

"THIS DRAWING AND SPECIFICATIONS, HEREIN, ARE THE PROPERTY OF DIGITAL EQUIPMENT CORPORATION AND SHALL NOT BE REPRODUCED OR COPIED OR USED IN WHOLE OR IN PART AS THE BASIS FOR THE MANUFACTURE OR SALE OF ITEMS WITHOUT WRITTEN PERMISSION. COPYRIGHT © 1978 DIGITAL EQUIPMENT CORPORATION."

TABLE OF CONTENTS

- B-TC-LAX34-PL-1 PAPER OUT OPTION (TC)
- E-AP-LAX34-PL-2 PAPER OUT OPTION (ARRANGEMENT)
- B-PL-LAX34-PL-Ø PAPER OUT OPTION (PL)

UNIT VARIATIONS COVERED BY THIS PRINT SET
LAX34-PL

LAX34-PL
Field Maintenance
Print Set

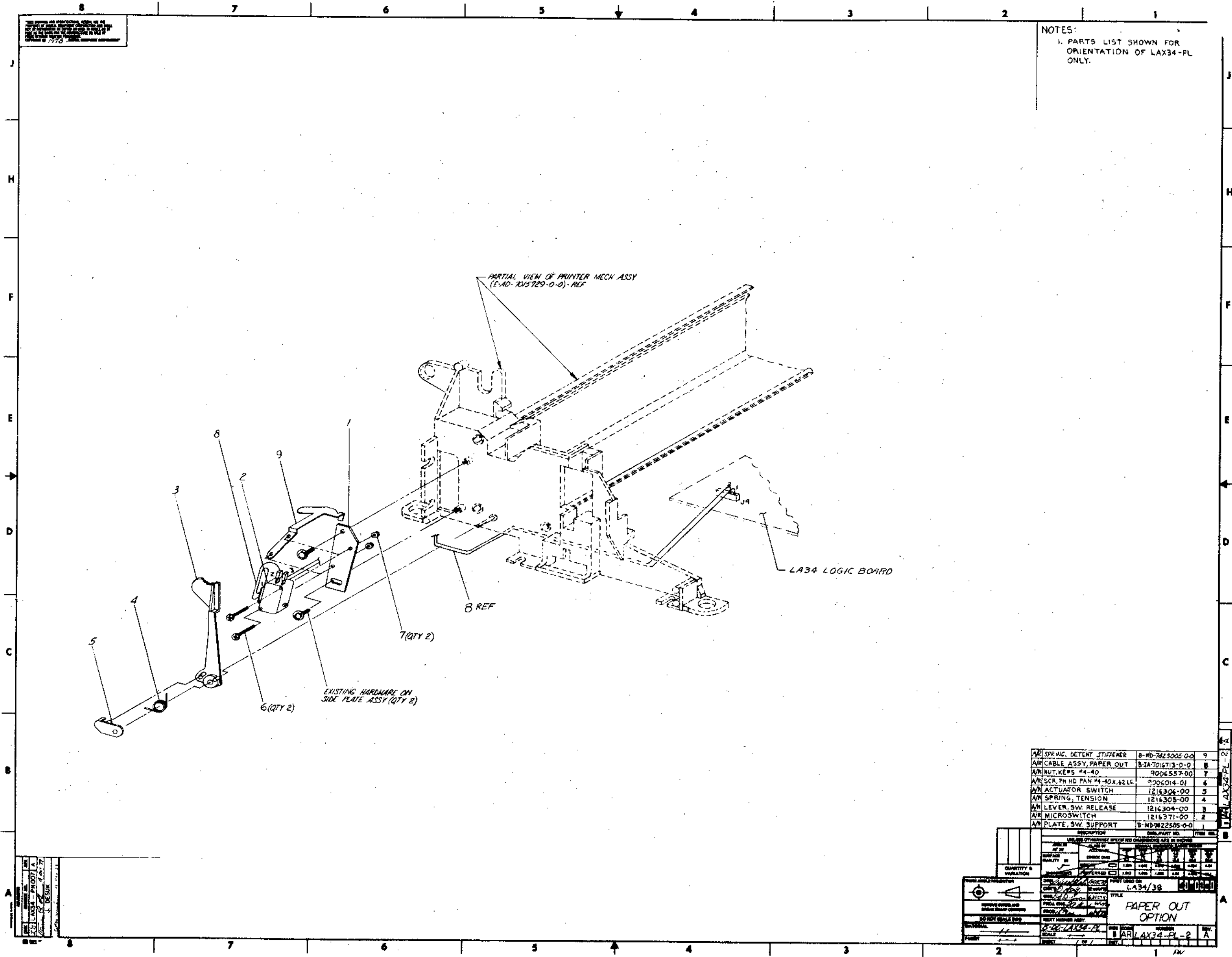
Digital Equipment
Corporation
PRINT SET ORDER NO.
MPØØ739

REVISIONS DATE	CHG. NO.	REV.	USED ON OPTION/MODEL		DRN.	DATE	TITLE: PAPER OUT OPTION (LAX34-PL)	digital
				LA34	D. HEALY	DEC 78		
				LA38	CHK'D <i>D. Healy</i>	DATE 26 MAR 79		
					PROJ. ENG. <i>AD</i>	DATE 4/1/79		
				FIELD SERV. <i>AK</i>	DATE 18 APR 79			

EN 0124-16-N078(122)

FOR THE USE OF THE USER, THIS DRAWING IS TO BE USED AS A GUIDE ONLY. THE USER SHALL BE RESPONSIBLE FOR THE PROPER INSTALLATION AND MAINTENANCE OF THE EQUIPMENT. THE USER SHALL BE RESPONSIBLE FOR THE PROPER USE OF THE EQUIPMENT.

NOTES:
1. PARTS LIST SHOWN FOR ORIENTATION OF LAX34-PL ONLY.



QTY	DESCRIPTION	PART NO.	UNIT
9	SPRING, DETENT STIFFENER	B-MD-7423005-0-0	
8	CABLE ASSY, PAPER OUT	B-DA-7016713-0-0	
7	NUT, KEYS #4-40	9006557-00	
6	SCR, PH HD PAN #4-40X.62 LG.	3006014-01	
5	ACTUATOR SWITCH	1216306-00	
4	SPRING, TENSION	1216305-00	
3	LEVER, SW RELEASE	1216304-00	
2	MICROSWITCH	1216371-00	
	PLATE, SW SUPPORT	B-MD-722505-0-0	

QUANTITY & VARIATION	DESCRIPTION	PART NO.	UNIT
	DESCRIPTION	LAX34/38	
	TITLE	PAPER OUT OPTION	
	DATE	11-20-1988	
	BY	BAR	
	CHKD		

1. LAX34 - PROOF A
2. DESK
3. DESK
4. DESK
5. DESK
6. DESK
7. DESK
8. DESK

DIGITAL EQUIPMENT CORPORATION PARTS LIST

QUANTITY / VARIATION

NOTES:

MADE BY B. HALE	CHECKED <i>as 160g</i>	SECTION 1
DATE 20 DEC 78	DATE 27 MAR 79	
ENG <i>B. H. H. H. H.</i>	PROD <i>1 Min</i>	ISSUED SECTION 1
DATE 6 April 79	DATE 12/4/79	

ITEM NO.	DRAWING NO.	PART NO.	DESCRIPTION	LAX34-PL	REF DESIGNATION									
1	B-MD-7422505-0-0	7422505-00	PLATE, SWITCH SUPPORT	1										
2		1216371-00	MICROSWITCH	1										
3		1216304-00	LEVER, SWITCH RELEASE	1										
4		1216305-00	SPRING, TORSION	1										
5		1216306-00	ACTUATOR, SWITCH	1										
6		9006014-01	SCR, PHL PAN HD #4-40 X .62 LG	2										
7		9006557-00	NUT, KEP #4-40	2										
8	B-IA-7016713-0-0	7016713-00	CABLE ASSY, PAPER OUT	1										
9	B-MD-7423005-0-0	7423005-00	SPRING, DETENT STIFFENER	1										
10	E-AR-LAX34-PL-2		PAPER OUT OPTION (ARRANGMENT)	REF										

E.C.O. NO. **PNO07**

THIS DRAWING AND SPECIFICATIONS, HEREIN, ARE THE PROPERTY OF DIGITAL EQUIPMENT CORPORATION AND SHALL NOT BE REPRODUCED OR COPIED OR USED IN WHOLE OR IN PART AS THE BASIS FOR THE MANUFACTURE OR SALE OF ITEMS WITHOUT WRITTEN PERMISSION. COPYRIGHT © 1978 DIGITAL EQUIPMENT CORPORATION	TITLE PAPER OUT OPTION	ASSY NO. NONE	SIZE B	CODE PL	NUMBER LAX34-PL-0	REV. A
		SHEET 1 OF 1		INSERTION PARTS LIST DATA BASE REV		