

digital

LA180

Engineering Drawings

Digital Equipment Corporation

The material herein is for information purposes only and is subject to change without notice. Digital Equipment Corporation assumes no responsibility for any errors which may appear herein.

These drawings and specifications herein are the property of Digital Equipment Corporation and shall not be reproduced or copied or used in whole or in part as the basis for the manufacture or sale of items without written permission.
Copyright © 1975, Digital Equipment Corporation

DRAWING DIRECTORY

THIS DRAWING AND SPECIFICATIONS, HEREIN, ARE THE PROPERTY OF DIGITAL EQUIPMENT CORPORATION AND SHALL NOT BE REPRODUCED OR COPIED OR USED IN WHOLE OR IN PART AS THE BASIS FOR THE MANUFACTURE OR SALE OF ITEMS WITHOUT WRITTEN PERMISSION. COPYRIGHT © 1975, DIGITAL EQUIPMENT CORPORATION

CUSTOMER PRINT SET INDEX

THIS IS PRINT SET

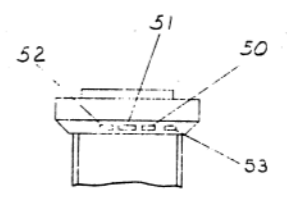
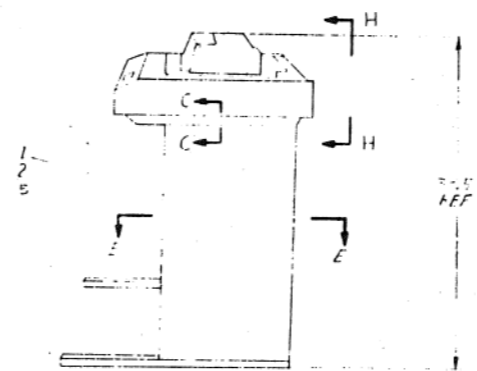
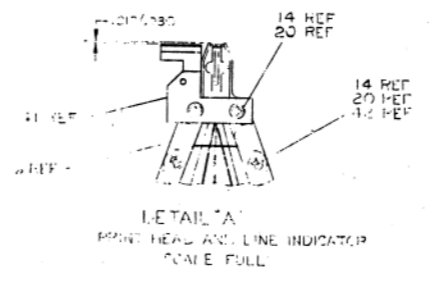
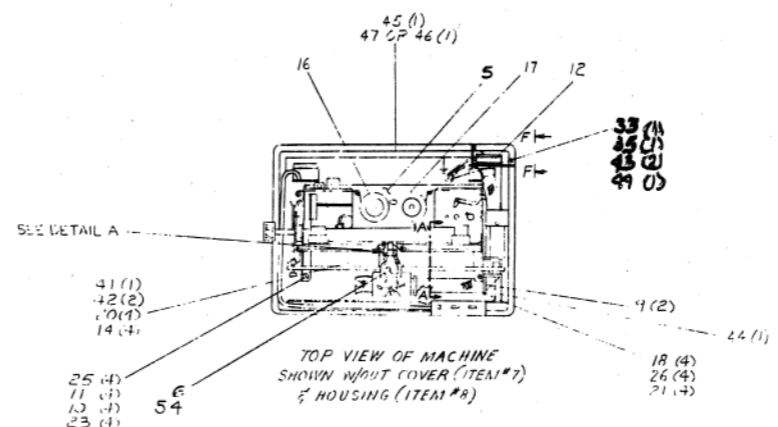
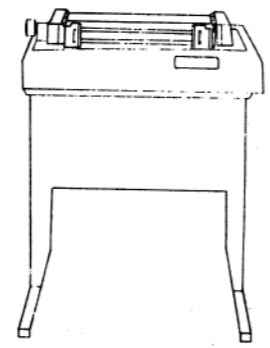
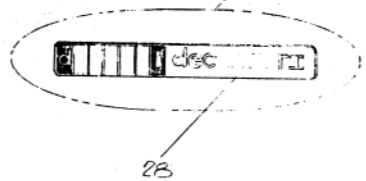
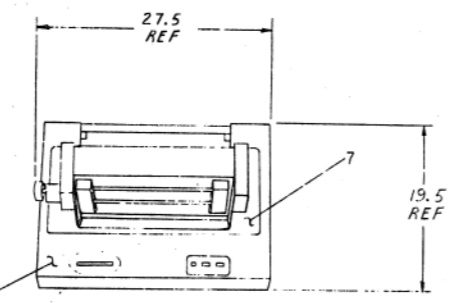
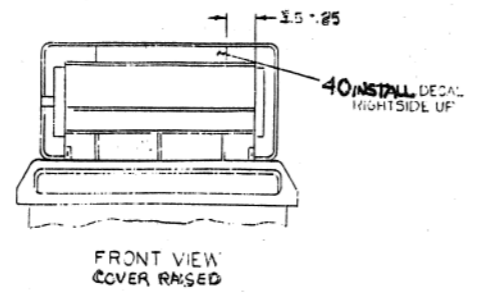
<p>SEQUENCE</p> <p>DRAWING DIRECTORY LA180 UNIT ASSEMBLY LA180 UNIT PARTS LIST LA180 LOGIC BOARD LA180 POWER BOARD L.E.D. BOARD ASSY PHOTOTRANSISTOR BOARD 6LPI FORM CONTROL BOARD INTERCONNECTION DRAWING PACKAGING INSTRUCTIONS CASTERS KIT PAPER CATCHER COMPRESSED PRINT OPTION</p>	<p>SEQUENCE</p> <p>B-DD-LA180 (SHEET1) E-UA-LA180-0-0 A-PL-LA180-0-0 D-CS-5411023-0-1 D-CS-5411021-0-1 D-CS-5410991-0-1 D-CS-5411049-0-1 D-CS-5411653-0-1 D-IC-7011167-0-0 A-SP-3700131-0-0 B-DD-LAXX-KB B-DD-LAXX-LD B-DD-LAXX-KJ</p>
--	---

UNIT VARIATIONS		PRINT SET	
VAR	TITLE	1	
LA180-PA	LA180-PA 120V/ 60 HZ	x	
LA180-PB	LA180 PB 240V/ 60 HZ	x	
LA180-PC	LA180-PC 120V/ 50 HZ	x	
LA180-PD	LA180 PD 240V/ 50 HZ	x	
LA180-CA	LA180-PA, 120V/60 HZ (LAXX-NX)	x	
LA180-CB	LA180-PB, 240V/60 HZ (LAXX-NX)	x	
LA180-CC	LA180-PC, 120V/50 HZ (LAXX-NX)	x	
LA180-CD	LA180-PD, 240V/50 HZ (LAXX-NX)	x	
LA180-EA	LA180-PA, 120V 60 HZ (LAXX-NW)	x	
LA180-EH	LA180-PB 240V/60 HZ (LAXX-NW)	x	
LA180-EC	LA180-PC, 120V/50 HZ (LAXX-NW)	x	
LA180-ED	LA180-PD, 240V/50 HZ (LAXX-NW)	x	

REVISIONS	DATE	CHG. NO.	REV	DESCRIPTION																		
	2-76	LA180-22	B																			
	5-76	LA180-43	C																			
	6-76	LA180-68	D																			
	12-76	LA180-PN084	E																			
USED ON OPTION/MODEL		DRN.	DATE	TITLE DEPRINTER DRAWING DIRECTORY																		
		A. TAYLOR	11/2 74																			
		CHK'D. A. TAYLOR	6/18/75																			
				PROJ ENG.	DATE	<table border="1" style="width: 100%; border-collapse: collapse;"> <tr> <td style="width: 20%;">SIZE</td> <td style="width: 20%;">CODE</td> <td style="width: 40%;">NUMBER</td> <td style="width: 20%;">REV</td> </tr> <tr> <td>B</td> <td>DD</td> <td>LA180-0</td> <td>E</td> </tr> <tr> <td colspan="4">DIST</td> </tr> </table>					SIZE	CODE	NUMBER	REV	B	DD	LA180-0	E	DIST			
SIZE	CODE	NUMBER	REV																			
B	DD	LA180-0	E																			
DIST																						
		B. STELTZER	6/17/75																			
				PROD.	DATE																	
		R. JODOIN	6/18/75																			
				FIELD SERV.	DATE																	
		T. MONGELLO	6/23/75																			
SHEET 1 OF 7																						

EN-01062-1A-16-R972-13251

THIS DRAWING AND SPECIFICATIONS HEREIN ARE THE PROPERTY OF DIGITAL EQUIPMENT CORPORATION AND SHALL NOT BE REPRODUCED OR COPIED IN WHOLE OR IN PART OR IN ANY MANNER WITHOUT THE WRITTEN PERMISSION OF DIGITAL EQUIPMENT CORPORATION. COPYRIGHT © 1972 DIGITAL EQUIPMENT CORPORATION.



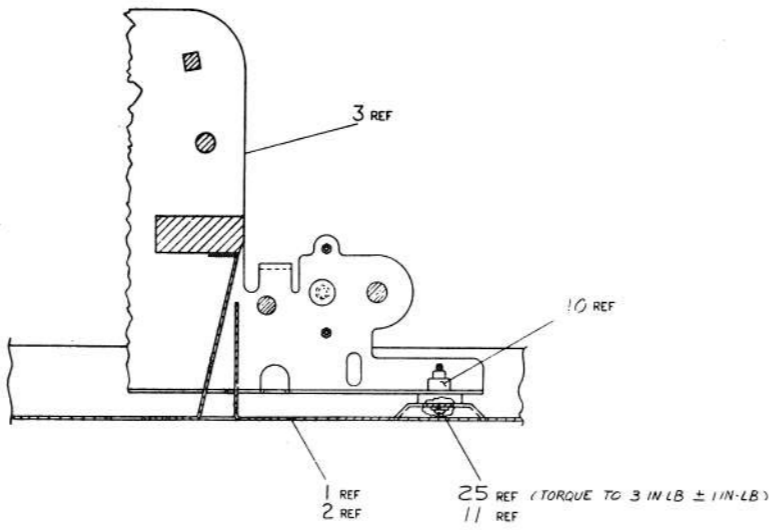
VIEW H-H
SCALE: NONE
SEE NOTE 3

- NOTES:
1. FOR PARTS LIST SEE DRAWING "LA-PL-CA 180-B".
 2. ITEMS # 32 (PLATE W/OUT CLAMP), #33 (2 SCREWS), #34 (2 LOCKWASHERS), #35 (2 PLAT WASHERS) AND #36 (SPRINGER RELIEF) ARE TO BE SHIPPED LOOSE WITH UNIT.
 3. UL AND CSA LABELS TO BE APPLIED ONLY WHEN UNIT HAS MET ALL UL AND CSA REQUIREMENTS.

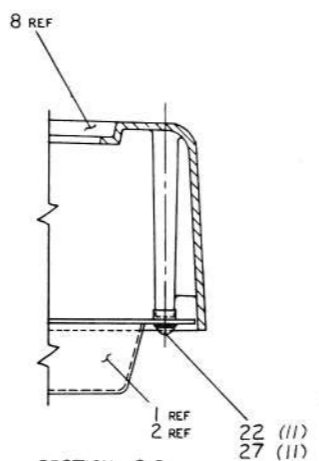
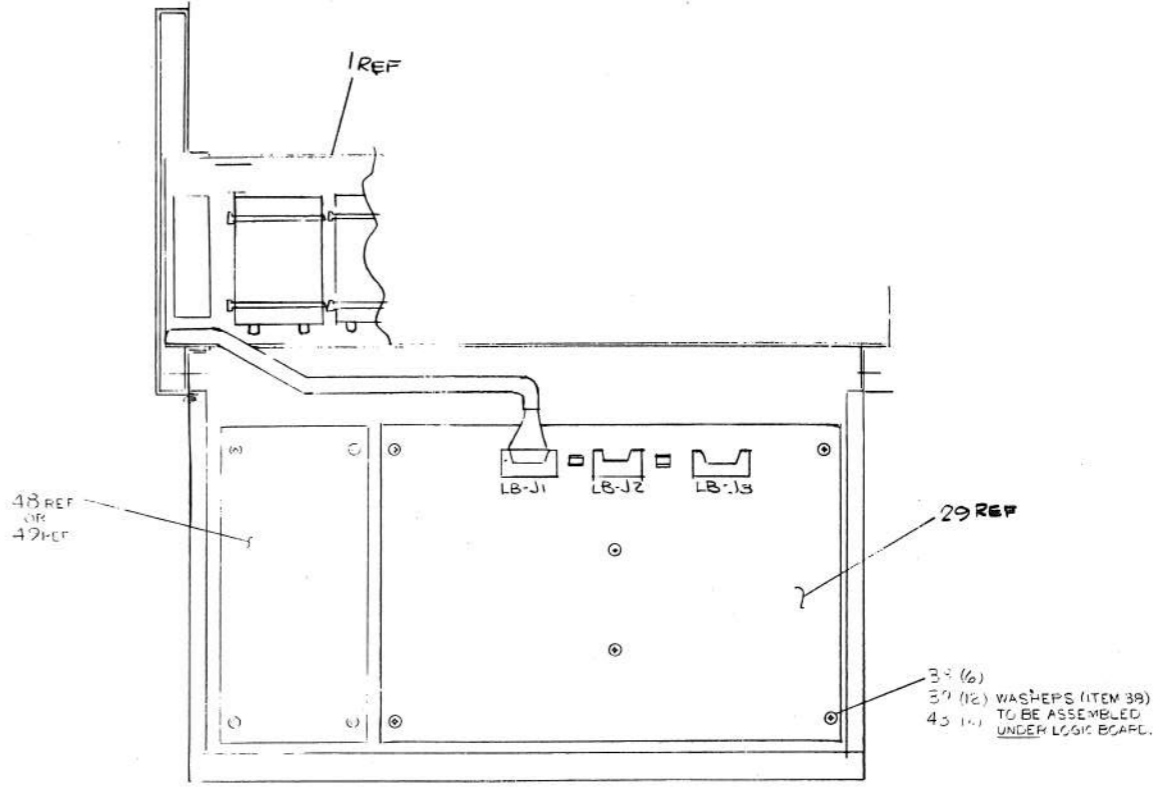
REV	DATE	BY	CHKD	APP'D	DESCRIPTION
1	11-22-77	J. BITTO			J. BITTO
2	12-14-77	J. BITTO			J. BITTO
3	1-10-78	J. BITTO			J. BITTO
4	1-10-78	J. BITTO			J. BITTO
5	1-10-78	J. BITTO			J. BITTO
6	1-10-78	J. BITTO			J. BITTO
7	1-10-78	J. BITTO			J. BITTO
8	1-10-78	J. BITTO			J. BITTO
9	1-10-78	J. BITTO			J. BITTO
10	1-10-78	J. BITTO			J. BITTO
11	1-10-78	J. BITTO			J. BITTO
12	1-10-78	J. BITTO			J. BITTO
13	1-10-78	J. BITTO			J. BITTO
14	1-10-78	J. BITTO			J. BITTO
15	1-10-78	J. BITTO			J. BITTO
16	1-10-78	J. BITTO			J. BITTO
17	1-10-78	J. BITTO			J. BITTO
18	1-10-78	J. BITTO			J. BITTO
19	1-10-78	J. BITTO			J. BITTO
20	1-10-78	J. BITTO			J. BITTO
21	1-10-78	J. BITTO			J. BITTO
22	1-10-78	J. BITTO			J. BITTO
23	1-10-78	J. BITTO			J. BITTO
24	1-10-78	J. BITTO			J. BITTO
25	1-10-78	J. BITTO			J. BITTO
26	1-10-78	J. BITTO			J. BITTO
27	1-10-78	J. BITTO			J. BITTO
28	1-10-78	J. BITTO			J. BITTO
29	1-10-78	J. BITTO			J. BITTO
30	1-10-78	J. BITTO			J. BITTO
31	1-10-78	J. BITTO			J. BITTO
32	1-10-78	J. BITTO			J. BITTO
33	1-10-78	J. BITTO			J. BITTO
34	1-10-78	J. BITTO			J. BITTO
35	1-10-78	J. BITTO			J. BITTO
36	1-10-78	J. BITTO			J. BITTO
37	1-10-78	J. BITTO			J. BITTO
38	1-10-78	J. BITTO			J. BITTO
39	1-10-78	J. BITTO			J. BITTO
40	1-10-78	J. BITTO			J. BITTO
41	1-10-78	J. BITTO			J. BITTO
42	1-10-78	J. BITTO			J. BITTO
43	1-10-78	J. BITTO			J. BITTO
44	1-10-78	J. BITTO			J. BITTO
45	1-10-78	J. BITTO			J. BITTO
46	1-10-78	J. BITTO			J. BITTO
47	1-10-78	J. BITTO			J. BITTO
48	1-10-78	J. BITTO			J. BITTO
49	1-10-78	J. BITTO			J. BITTO
50	1-10-78	J. BITTO			J. BITTO
51	1-10-78	J. BITTO			J. BITTO
52	1-10-78	J. BITTO			J. BITTO
53	1-10-78	J. BITTO			J. BITTO
54	1-10-78	J. BITTO			J. BITTO
55	1-10-78	J. BITTO			J. BITTO
56	1-10-78	J. BITTO			J. BITTO
57	1-10-78	J. BITTO			J. BITTO
58	1-10-78	J. BITTO			J. BITTO
59	1-10-78	J. BITTO			J. BITTO
60	1-10-78	J. BITTO			J. BITTO
61	1-10-78	J. BITTO			J. BITTO
62	1-10-78	J. BITTO			J. BITTO
63	1-10-78	J. BITTO			J. BITTO
64	1-10-78	J. BITTO			J. BITTO
65	1-10-78	J. BITTO			J. BITTO
66	1-10-78	J. BITTO			J. BITTO
67	1-10-78	J. BITTO			J. BITTO
68	1-10-78	J. BITTO			J. BITTO
69	1-10-78	J. BITTO			J. BITTO
70	1-10-78	J. BITTO			J. BITTO
71	1-10-78	J. BITTO			J. BITTO
72	1-10-78	J. BITTO			J. BITTO
73	1-10-78	J. BITTO			J. BITTO
74	1-10-78	J. BITTO			J. BITTO
75	1-10-78	J. BITTO			J. BITTO
76	1-10-78	J. BITTO			J. BITTO
77	1-10-78	J. BITTO			J. BITTO
78	1-10-78	J. BITTO			J. BITTO
79	1-10-78	J. BITTO			J. BITTO
80	1-10-78	J. BITTO			J. BITTO
81	1-10-78	J. BITTO			J. BITTO
82	1-10-78	J. BITTO			J. BITTO
83	1-10-78	J. BITTO			J. BITTO
84	1-10-78	J. BITTO			J. BITTO
85	1-10-78	J. BITTO			J. BITTO
86	1-10-78	J. BITTO			J. BITTO
87	1-10-78	J. BITTO			J. BITTO
88	1-10-78	J. BITTO			J. BITTO
89	1-10-78	J. BITTO			J. BITTO
90	1-10-78	J. BITTO			J. BITTO
91	1-10-78	J. BITTO			J. BITTO
92	1-10-78	J. BITTO			J. BITTO
93	1-10-78	J. BITTO			J. BITTO
94	1-10-78	J. BITTO			J. BITTO
95	1-10-78	J. BITTO			J. BITTO
96	1-10-78	J. BITTO			J. BITTO
97	1-10-78	J. BITTO			J. BITTO
98	1-10-78	J. BITTO			J. BITTO
99	1-10-78	J. BITTO			J. BITTO
100	1-10-78	J. BITTO			J. BITTO

FIRST USED ON OPTION/MODEL	QTY.	DESCRIPTION	PART #	ITEM NO.
LA 180				
PARTS LIST				
DIMENSIONAL TOLERANCE		DRN.	DATE	
UNLESS OTHERWISE SPECIFIED		CPH	8-22-77	
MILLIMETERS		ENG.	DATE	
INCHES		PROJ. ENG.	DATE	
ANGLES		DATE		
THIRD ANGLE PROJECTOR		DATE		
SEE PARTS LIST		DATE		
SCALE: NONE		DATE		
SHEET		DATE		
TITLE		DATE		
LA 130 UNIT ASSY		DATE		
SCALE: NONE		DATE		
SHEET		DATE		
REV.		DATE		
EUA		DATE		
LA 180-1-000		DATE		
SHEET		DATE		

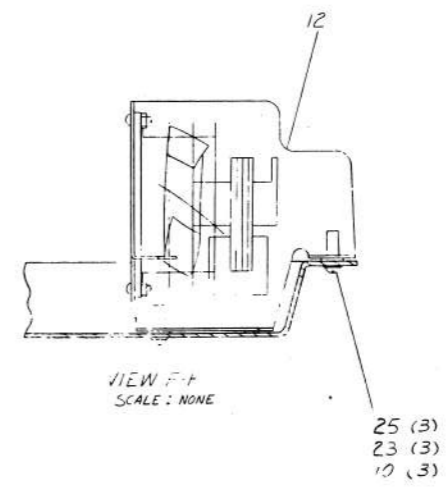
PROPERTY OF GOULD EQUIPMENT COMPANY. THIS DRAWING AND SHALL NOT BE REPRODUCED OR COPIED OR USED IN WHOLE OR IN PART AS THE BASIS FOR THE MANUFACTURE OR SALE OF OTHER EQUIPMENT WITHOUT PERMISSION. COPYRIGHT © 1974, GOULD EQUIPMENT CORPORATION



SECTION A-A
SCALE: 1/1



SECTION C-C
SCALE: 1/1



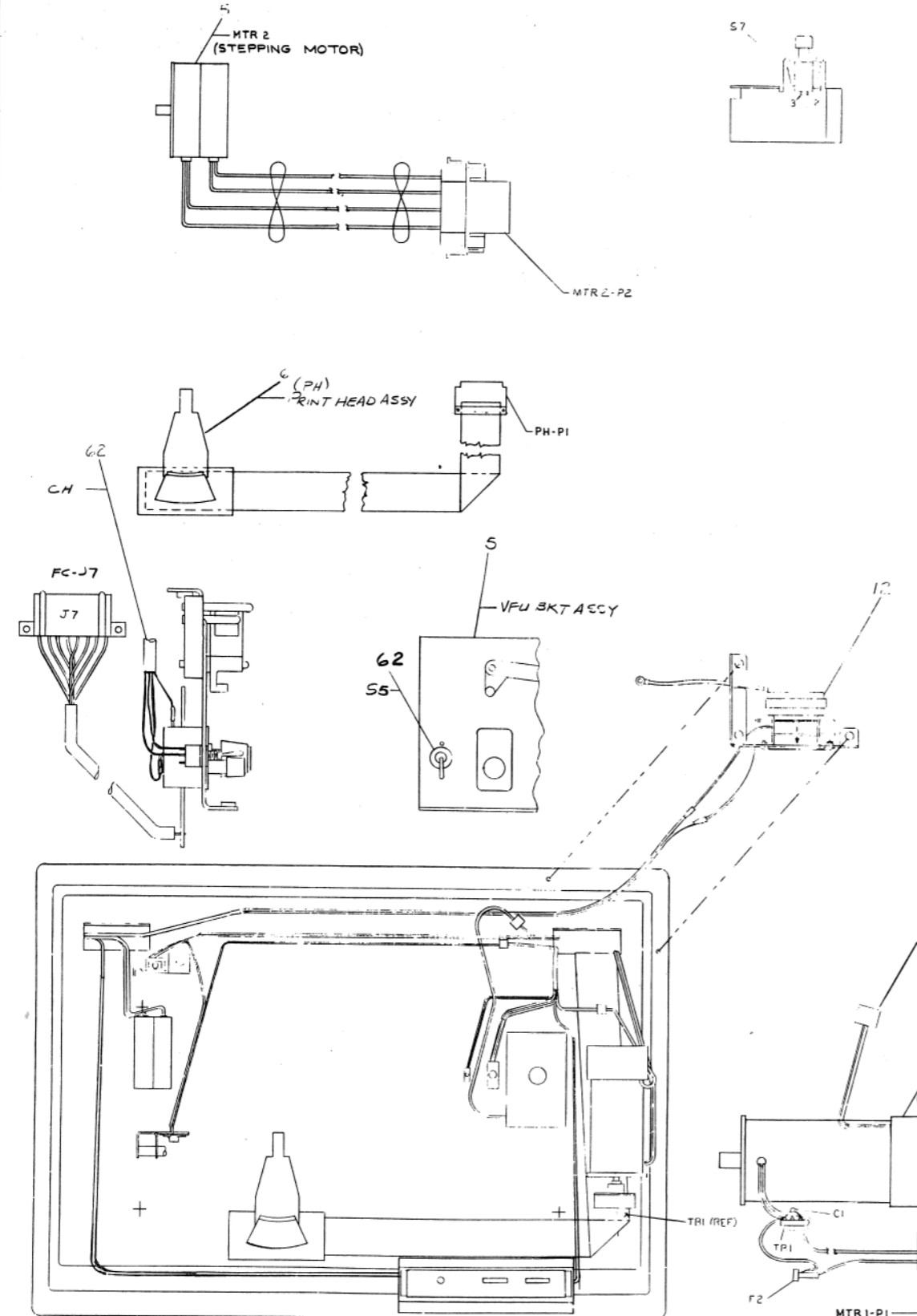
VIEW F-F
SCALE: NONE

REVISIONS		
CHK	CHANGE NO.	REV.

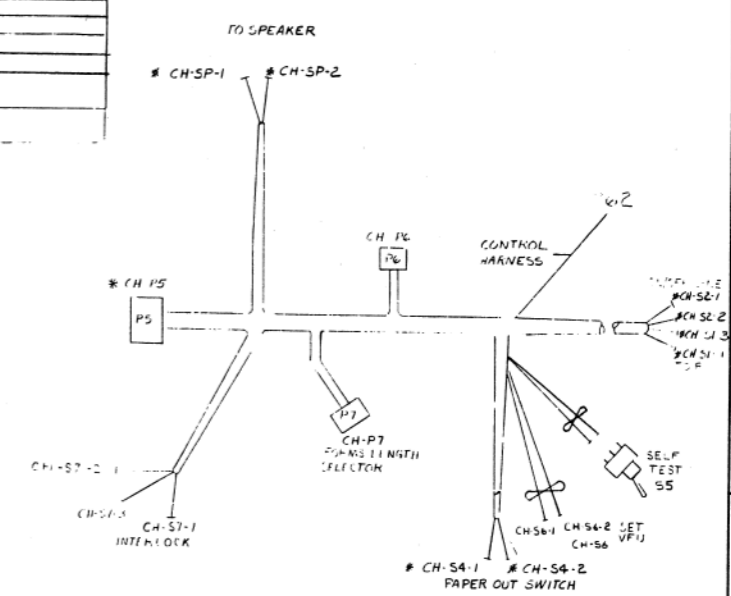
TITLE LA180 UNIT ASSY		SIZE CODE E UA	NUM-BER LA180-0-0	REV. M
SCALE	SHEET 2 OF 3	DIST.	1	

THIS DRAWING AND SPECIFICATIONS, HEREIN, ARE THE PROPERTY OF BUSH BROS. EQUIPMENT CORPORATION AND SHALL NOT BE REPRODUCED OR COPIED IN WHOLE OR IN PART FOR THE BASIS FOR THE MANUFACTURE OF THIS OR OTHER EQUIPMENT WITHOUT WRITTEN PERMISSION. COPYRIGHT © 1974, BUSH BROS. EQUIPMENT CORPORATION

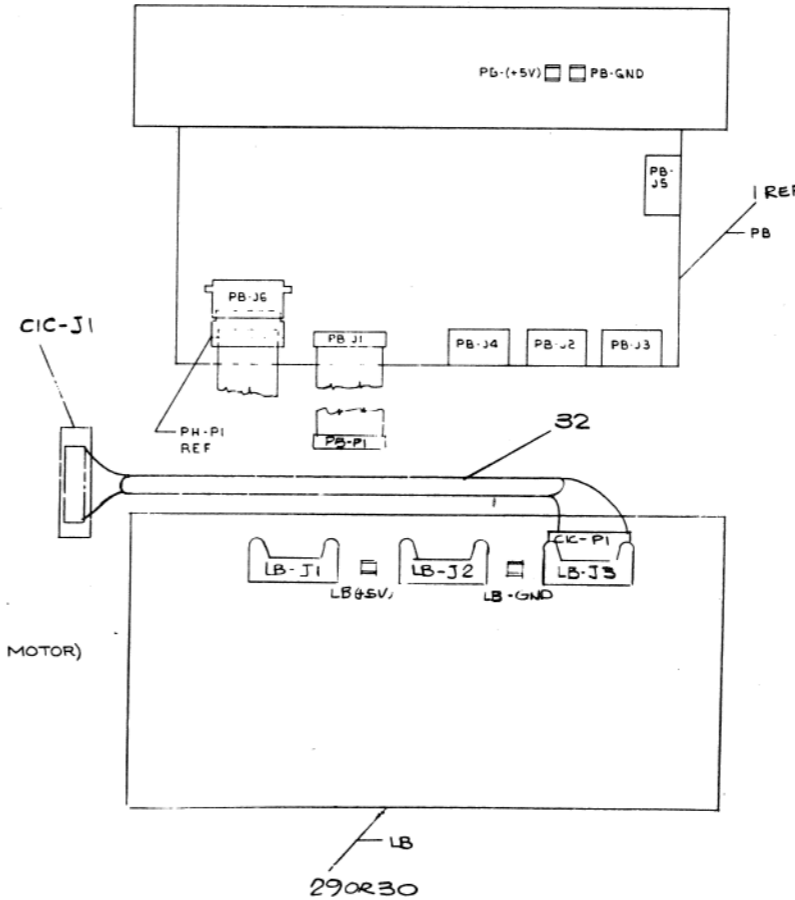
WIRE TABLE						
ITEM NO	DESCRIPTION	FROM	TO	REMARKS		
	AWG	COLOR	CONN	TERM		
5			MTR-2-P2	PB-J5		
62			CH-P7	FC-J7		
62			CH-SG-1	SG-1	TOP	
62			CH-SG-2	SG-2	SET	
5			MTR1-P3	CH-P6		
5			PH-P1	PH-TG		
5			MTR1-P1	PB-J4		
5			MECH ASSY GND	CABINET GND	SEE SHEET 1	
31	14	BLK	PB (+5V)	LB+5V		
1	14	RED	PB GND	LB GND		
1			PB-P1	OR LB-J2		
1			CH-P5	LB-J1		
32			CIC-P1	LB-J3		
62	22	GRY	CH-S7-1	S7-1	INTER LOCK	
62	22	BRN	CH-S7-3	S7-3	LOCK	
62	22	WHT	CH-S7-2	S7-2		
62	22	W/PRED	CH-S7-2	S4-2	R.G.	



CABLE ROUTING DIAGRAM



NOTE: (*) ASTERISKS INDICATE HARNESS CONNECTIONS MADE AT NEXT LOWER LEVEL ASSY.



REVISIONS		
CHK	CHANGE NO	REV

DIGITAL EQUIPMENT CORPORATION MAYNARD, MASSACHUSETTS PARTS LIST				QUANTITY / VARIATION													
MADE BY L. TAYLOR		CHECKED <i>[Signature]</i>		SECTION		LA180-PA	LA180-PB	LA180-PC	LA180-PD	LA180-CA	LA180-CB	LA180-CC	LA180-CD	LA180-EA	LA180-EB	LA180-EC	LA180-ED
DATE 10/4/74		DATE 6-17-75		1													
ENG <i>[Signature]</i>		PROD R. L. Jockson		ISSUED SECT.													
DATE 6-17-75		DATE 6/18/75		1													
ITEM NO.	DWG NO. / PART NO.	DESCRIPTION															
1	E-AD-7010094-1-0	CABINET ASSY W/POWER SUPPLY(115V) 6ØHZ		1	-	-	-	-	-	-	-	-	-	-	-	-	-
2	E-AD-7010094-2-0	CABINET ASSY W/POWER SUPPLY(23ØV) 6ØHZ		-	1	-	-	-	-	-	-	-	-	-	-	-	-
3	E-AD-7010094-3-0	CABINET ASSY W/POWER SUPPLY(115V) 5ØHZ		-	-	1	-	-	-	-	-	-	-	-	-	-	-
4	E-AD-7010094-4-0	CABINET ASSY W/POWER SUPPLY(23ØV) 5ØHZ		-	-	-	1	-	-	-	-	-	-	-	-	-	-
5	E-AD-7010091-0-0	PRINTER MECHANISM ASSY		1	1	1	1	1	1	1	1	1	1	1	1	1	1
6	D-AD-7009882-0-0	PRINT HEAD ASSY		1	1	1	1	1	1	1	1	1	1	1	1	1	1
7	D-IA-7010758-0-0	COVER ASSY		1	1	1	1	1	1	1	1	1	1	1	1	1	1
8	E-IA-7010757-0-0	HOUSING ASSY		1	1	1	1	1	1	1	1	1	1	1	1	1	1
9	1202704-00	CLAMP, CABLE		2	2	2	2	2	2	2	2	2	2	2	2	2	2
10	9008896-00	WELLNUT #10-32		7	7	7	7	7	7	7	7	7	7	7	7	7	7
11	9007906-00	WASHER, SPLIT LOCK, #10		4	4	4	4	4	4	4	4	4	4	4	4	4	4
12	C-AD-7010756-0-0	FAN ASSY 115V, MOTOR		1	1	1	1	1	1	1	1	1	1	1	1	1	1
13	9007649-00	WASHER, EXT TOOTH LOCK, #6		1	1	1	1										
14	9006633-00	WASHER, INTERNAL TOOTH LOCK #6		4	4	4	4	4	4	4	4	4	4	4	4	4	4
15	A-MD-7412103-0-0	PKG. OF PAPER (100 SHEETS)		1	1	1	1	1	1	1	1	1	1	1	1	1	1
16	3612153-00	RIBBON SPOOL W/RIBBON		1	1	1	1	1	1	1	1	1	1	1	1	1	1
17	1212008-00	RIBBON SPOOL (EMPTY)		1	1	1	1	1	1	1	1	1	1	1	1	1	1
18	9006011-1	SCREW, PHL, PAN HD, #4-40 x .38L		4	4	4	4	4	4	4	4	4	4	4	4	4	4
19	9006077-1	SCREW, PHL, PAN HD, #6-32 x .38L		1	1	1	1										
20	9007793-1	SCREW, PHL, PAN HD, #6-32 x .56L		4	4	4	4	4	4	4	4	4	4	4	4	4	4
21	9006557-00	NUT, KEPS, #4-40		4	4	4	4	4	4	4	4	4	4	4	4	4	4
22	9009630-01	SCREW, PHL, PAN HD, #6-18 x .50, SELF TH		11	11	11	11	11	11	11	11	11	11	11	11	11	11
TITLE LA180 UNIT ASSY				ASSY NO. E-UA-LA180-Ø-Ø		SIZE CODE A PL		NUMBER LA180-Ø-Ø				REV. M		ECO NO. LA1-Ø-Ø PNC87			
SHEET 1 OF 3				DIST.													

DIGITAL EQUIPMENT CORPORATION
MAYNARD, MASSACHUSETTS
PARTS LIST

MADE BY DICK VENO	CHECKED <i>[Signature]</i> 6-17-75	SECTION 1
DATE 3/25/74	DATE <i>[Signature]</i> 6/18/75	ISSUED SECT. 1
ENG <i>[Signature]</i>	PROD R. L. Jodanis	
DATE 6-17-75	DATE 6/18/75	

QUANTITY / VARIATION

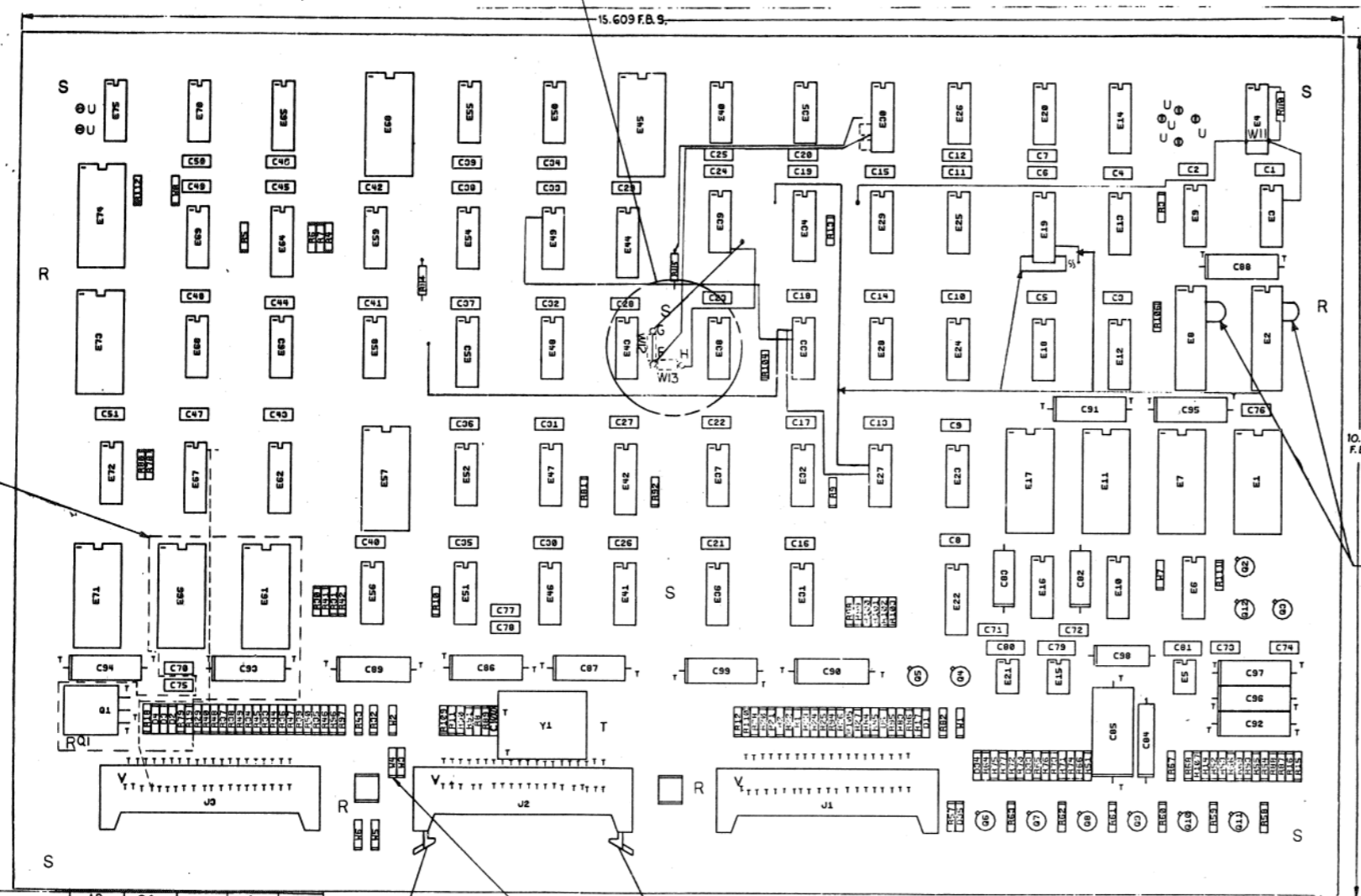
ITEM NO.	DWG NO. / PART NO.	DESCRIPTION	LAI80-PA	LAI80-PB	LAI80-PC	LAI80-PD	LAI80-CA	LAI80-CB	LAI80-CC	LAI80-CD	LAI80-EA	LAI80-EB	LAI80-EC	LAI80-ED
23	9006664-00	WASHER, FLAT, #10	7	7	7	7	7	7	7	7	7	7	7	7
24	9007801-00	WASHER, SPLIT LOCK, #6	1	1	1	1								
25	9008955-1	SCREW, PHL PAN HD, #10-32 x .94L	7	7	7	7	7	7	7	7	7	7	7	7
26	9006658-00	WASHER, FLAT, #4	4	4	4	4	4	4	4	4	4	4	4	4
27	9006653-00	WASHER, FLAT, #6	15	15	15	15	15	15	15	15	15	15	15	15
28	C-PS-3612451-0-0	NAME PLATE	1	1	1	1	1	1	1	1	1	1	1	1
29	D-CS-5411023-0-1	LOGIC BOARD LA180	1	1	1	1	1	1	1	1	1	1	1	1
30	D-CS-5411023-YA-1	LOGIC BOARD LA180 C/C	-	-	-	-								
31	D-IA-7011469-0-0	C/C INTERFACE CABLE ASSY	-	-	-	-								
32	C-MD-7413216-0-0	PLATE, INPUT CLAMP	1	1	1	1	1	1	1	1	1	1	1	1
33	9006037-1	SCR PHL PAN HD 8-32 x .38	3	3	3	3	3	3	3	3	3	3	3	3
34	9006690-00	WASHER SPLIT LOCK #8	2	2	2	2	2	2	2	2	2	2	2	2
35	9006660-00	WASHER FLAT #8	4	4	4	4	4	4	4	4	4	4	4	4
36	9008509-00	STRAIN RELIEF	1	1	1	1	1	1	1	1	1	1	1	1
37	A-SP-3700131-0-0	PACKAGING INSTRUCTIONS	REF	REF	REF	REF	REF	REF	REF	REF	REF	REF	REF	REF
38	9C08208-1	SCR, PAN HD, NYLON 8-32 x .50	6	6	6	6	6	6	6	6	6	6	6	6
39	9006708	WASHER NYLON .37 O.D x .19 I.D x .032 THK	12	12	12	12	12	12	12	12	12	12	12	12
40	A-DC-7416178-0-0	DECAL, LA180	1	1	1	1	1	1	1	1	1	1	1	1
41	C-MD-7414953-0-0	LINE INDICATOR	1	1	1	1	1	1	1	1	1	1	1	1
42	9006656	WASHER, FLAT	2	2	2	2	2	2	2	2	2	2	2	2
43	9008072-00	EXTERNAL TOOTH LOCKWASHER #8	8	8	8	8	8	8	8	8	8	8	8	8
44	3612680-00	DECAL, GROUND SYMBOL	2	2	2	2	2	2	2	2	2	2	2	2

TITLE LA180 UNIT ASSY	ASSY NO. E-UA-LA180-0-0	SIZE A	CODE PL	NUMBER LA180-0-0	REV M	ECO NO.
	SHEET 2 OF 3	DIST.				

DIGITAL EQUIPMENT CORPORATION MAYNARD, MASSACHUSETTS PARTS LIST					QUANTITY / VARIATION												
MADE BY L. TAYLOR DATE 10-4-74		CHECKED STELTZER DATE 6-17-75		SECTION I	LA180-PA	LA180-PB	LA180-PC	LA180-PD	LA180-CA	LA190-CB	LA180-CC	LA180-CD	LA180-EA	LA180-EB	LA180-EC	LA180-ED	
ENG STELTZER DATE 6-17-75		PROD R.L. JODOIN DATE 6-18-75		ISSUED SECT. I													
ITEM NO.	DWG NO. / PART NO.	DESCRIPTION															
45	A-DC-7414832-0-1	SERIAL NUMBER DECAL LA180			-	-	-	-	-	-	-	-	-	-	-	-	-
46	7413231-0-0	UNDERWRITERS LABEL 115V			-	-	-	-	-	-	-	-	-	-	-	-	-
47	7413231-1-0	UNDERWRITERS LABEL 230V			-	-	-	-	-	-	-	-	-	-	-	-	-
48	LAXX-NX	SERIAL OPTION PKG (20MA)			-	-	-	-	-	-	-	-	-	-	-	-	-
49	LAXX-NW	SERIAL OPTION PKG (EIA)			-	-	-	-	-	-	-	-	-	-	-	-	-
50	A-DC-7416197-0-1	UNDERWRITERS LABEL															
51	A-PS-3613210-00	SERIAL NO. TAG															
52	A-PS-3613211-00	CSA DECAL															
53	A-PS-3613088-00	LABEL, ADHESIVE BACKED RFI SUPPRESSION			-	-	-	-	-	-	-	-	-	-	-	-	-
54	E-PS-1213365-02	HEAT SHIELD			1	1	1	1	1	1	1	1	1	1	1	1	1
TITLE LA180 UNIT ASSY				ASSY NO. E-UA-L180-0-0	SIZE A	CODE PL	NUMBER LA180-0-0					REV M	ECO NO.				
SHEET 3 OF 3				DIST.													

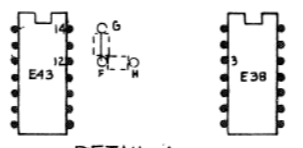
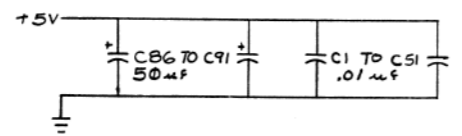
NOTES: SEE DETAIL A

- NOTE: 1. W2-W7, ARE NOT INSERTED
 2. JUMPER WIRES ADDED - 8 PLACES
~~E2-18 TO E2-19~~
~~E8-18 TO E8-19~~
 3. COMPONENTS WITHIN OUTLINE WERE USED ONLY WHEN PROMS WERE USED ON SERIAL # 11303 AND EARLIER.
 4. W4 NECESSARY FOR 591 NS OR 1200 SAUD CLOCK TO J3.



2611F	12	24			
74175	8	16			
74161	8	16			
74125	8	16			
7489	8	16			
74150	12	24			
74190	8	16			
7442	8	16			
74193	8	16			
74154	12	24			
2101-2	8	22			
8640	1	8			
7493A	10	5			
1702A		12,22,23		16,24	
LM301A			7	4	
2627	12	24			
2626	12	24			
IC TYPE	GND	+5V	+12V	-12V	-9V

88 TYP 3PLACES SEE NOTE 4 89 TYP 3PLACES



DETAIL A SCALE: NONE

SEE SHEET #2

QTY	REF. DESIGNATION	DESCRIPTION	PART NO.	ITEM NO.
		PARTS LIST		
		ETCH BOARD REV.	E	
		FIRST USED ON OPTION MODEL LA180		
		DRN. J. EGGER	DATE 3-12-75	<p>TITLE LA180 LOGIC BOARD</p> <p>SIZE CODE DCS 5411023-0-1 REV. 25</p>
		CHK'D. J. EGGER	DATE 3-12-75	
		ENG. C. HANCOCK	DATE 3-2-75	
		PROD'G. [Signature]	DATE 4-17-75	
		PROD. [Signature]	DATE 11-1-75	
		NEXT HIGHER ASSY		
		SEMICONDUCTOR CONVERSION CHART		
		DEC NO.	EIA NO.	
		DEC NO.	EIA NO.	
		SCALE		
		SHEET 1	OF 9	

GND AND 5V ARE USUALLY PIN 7 AND 14 RESPECTIVELY EXCEPTIONS ARE STATED ABOVE

IC PIN LOCATIONS

DCS 5411023-0-1 5

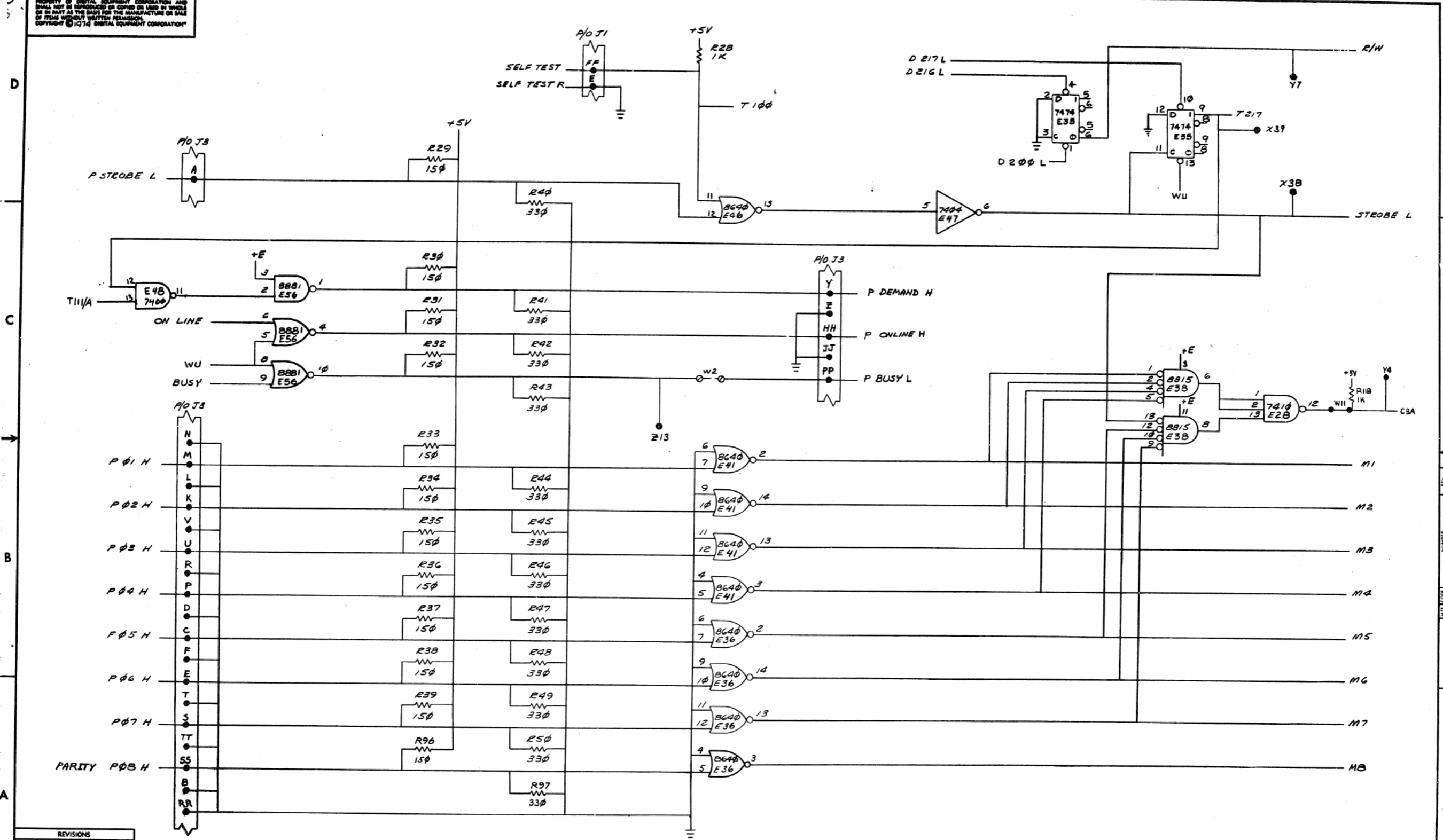
"THIS DRAWING AND SPECIFICATIONS HEREIN ARE THE PROPERTY OF DIGITAL EQUIPMENT CORPORATION AND SHALL NOT BE REPRODUCED OR COPIED OR USED IN WHOLE OR IN PART AS THE BASIS FOR THE MANUFACTURE OR SALE OF ITEMS WITHOUT WRITTEN PERMISSION. COPYRIGHT © 1974, DIGITAL EQUIPMENT CORPORATION"

PARTS LIST				
QTY	REF DESIGNATION	DESCRIPTION	PART NO	ITEM NO
REF		X-Y COORDINATE HOLE LOCATION	K-CO-5411023-0-4	1
REF		ASSY/DRILLING HOLE LAYOUT	E-AM-5411023-0-5	2
REF		MODULE ECO HISTORY	B-MH-5411023-0-6	3
1		ETCHED CIRCUIT BOARD	5011022-00	4
4	C79, C80, C81, C100	CAP 39pF 100V 5%	1000010-00	5
1	C85	CAP .68uF 50V 10%	1010031-06	6
2	C82, C83	CAP .047uF 100V 10%	1000051-00	7
6	C92, C94-97, C99	CAP 25uF 25V 10%	1000075-00	8
57	C1-C51, C71-C76	CAP .01uF 50V	1001610-00	9
1	C84	CAP .1uF 100V 10%	1002342-00	10
2	C77, C78	CAP .005uF 100V 20%	1001765-00	11
6	C86-C91	CAP 50uF 25V 10%	1001796-00	12
2	D1, D35	DIODE D664	1100114-00	13
2	D33, D34	DIODE 1N748A 3.9V 5%	1100122-00	14
2	D3, D4	DIODE 1N4148	1105473-00	15
1	D5	DIODE D662	1100113-00	16
3	J1, J2, J3	CONN 40 PIN	1209941-02	17
2	E1, E7, E10	SOCKET IC. 24 PIN	1210693-00	18
1	E86	RES 51K 1/4W 5%	1309422-00	19
15	R30-R39, R12, R25, R85, R96, R114	RES 150 1/4W 5%	1300250-00	20
3	R78, R80, R82	RES 100 1/4W 5%	1300229-00	21
1	R57	RES 820 1/4W 5%	1301775-00	22
3	R53, R70, R71	RES 180 1/4W 5%	1301322-00	23
1	R93	RES 560 1/4W 5%	1301890-00	24
18	R40-R50, R93, R97, R110, R115	RES 330 1/4W 5%	1300295-00	25
2	R84, R85	RES 470 1/4W 5%	1300316-00	26
25	R1-R11, R13-R17, R21, R28, R89, R94, R105, R106, R111, R112, R118	RES 1K 1/4W 5%	1300365-00	27
1	R87	RES 1.5K 1/4W 5%	1300391-00	28
5	R81, R88, R90-R92	RES 5.6K 1/4W 5%	1301874-00	29
2	R55, R56	RES 1K 1/8W 1%	1302748-00	30
1	R51	RES 47K 1/4W 5%	1302177-00	31
1	R61	RES 11.5K 1/8W 1%	1302860-00	32
2	R72, R73	RES 820K 1/4W 10%	1303187-00	33
2	R62, R63	RES 2.61K 1/4W 1%	1303303-00	34
2	R76, R77	RES 5.11K 1/4W 1%	1304854-00	35
				36
2	R74, R75	RES 619 1/4W 1%	1305126-00	37
1	R58	RES 31.6K 1/8W 1%	1305419-00	38
2	R52, R54	RES 232K 1/8W 1%	1305424-00	39
6	R64-R69	RES 2K 1/4W 5%	1302388-00	40
1	R60	RES 16.9K 1/8W 1%	1312618-00	41
1	R59	RES 24.3K 1/4W 1%	1309418-00	42
2	Q2, Q3	TRANS 6534D PNP	1503409-00	43
9	Q4-Q12	TRANS MPSA05 NPN	1510705-00	44
1	Q1	TRANS DMSCB PNP	1510598-00	45
1	Y1	CRYSTAL 1.6896 MHE	1811689-00	46
11	E18, E20, E23, E25, E26, E29, E35, E50, E51, E54, E55	I.C. 7474	1905547-00	47
4	E24, E48, E49, E52	I.C. 7400	1905575-00	48
1	E28	I.C. 7410	1905576-00	49
1	E70	I.C. 7420	1905577-00	50
1	E69	I.C. 7401	1905590-00	51
2	E39, E40	I.C. 7493A	1909054-00	52

PARTS LIST				
QTY	REF DESIGNATION	DESCRIPTION	PART NO	ITEM NO
3	E36, E41, E46	I.C. 8690	1911469-00	53
6	E31, E33, E47, E72, E75, E27	I.C. 7404	1909686-00	54
3	E45, E60, E73	I.C. 74154	1909701-00	55
1	E16	I.C. 7413	1909989-00	56
5	E12, E14, E62, E64, E67	I.C. 74193	1910018-00	57
1	E53	I.C. 7442	1910046-00	58
1	E19	I.C. 74190	1910095-00	59
2	E54, E30	I.C. 8881	1909705-00	60
2	E57, E74	I.C. 74150	1910153-00	61
3	E5, E15, E21	I.C. LM301A	1910282-00	62
1	E65	I.C. 7489	1910396-00	63
1	E42	I.C. 74123	1910436-00	64
2	E34, E44	I.C. 74161	1910650-00	65
1	E22	I.C. 74175	1910651-00	66
2	E2, E8	I.C. 2101-2	2112323-00	67
2	E61, E66	I.C. 1702A PROMS	2300048-00	68
1	E38	I.C. 8815	1909713-00	69
4	E3, E9, E32, E37	I.C. 74197	1910035-00	70
4	E43, E59, E63, E68	I.C. 7408	1910155-00	71
1	E1	I.C. MK2626 (UNSLASHED 0)	2307146-00	72
1	E7	I.C. MK2627 (ALPHA SET)	2307046-00	73
9		SPLIT LUGS	9006735	74
1		SCREW PPH	9006011-01	75
2		FASTEN TAB	9007113-00	76
1		KEP NUT	9006557-00	77
2		EYLET5	9009000	78
9	R9B-R104, R109, R107	RES 47K 1/4W 5%	1302177	79
1	E58	I.C. 7414	1911324	80
1	E13	I.C. 74180	1910724	81
1	E10	I.C. 9601	1909373	82
1	E6	I.C. 7406	1910741	83
1	C9B	CAP 39uF 10V 10%	1000076	84
7	R20 THRU R26	RES 4.7K 1/4W 5%	1300447-00	85
5	W1, W4, W8, W11, W12 OR W13	INSULATED JUMPER	9009185	86
AR		JUMPER, INSULATED	9105740-55	87
3		LATCH, LEFT	1209941-03	88
3		LATCH, RIGHT	1209941-04	89
1	E71	IC MK2611 IP CROM	2308846	90

REVISIONS		
CHK	CHANGE NO.	REV

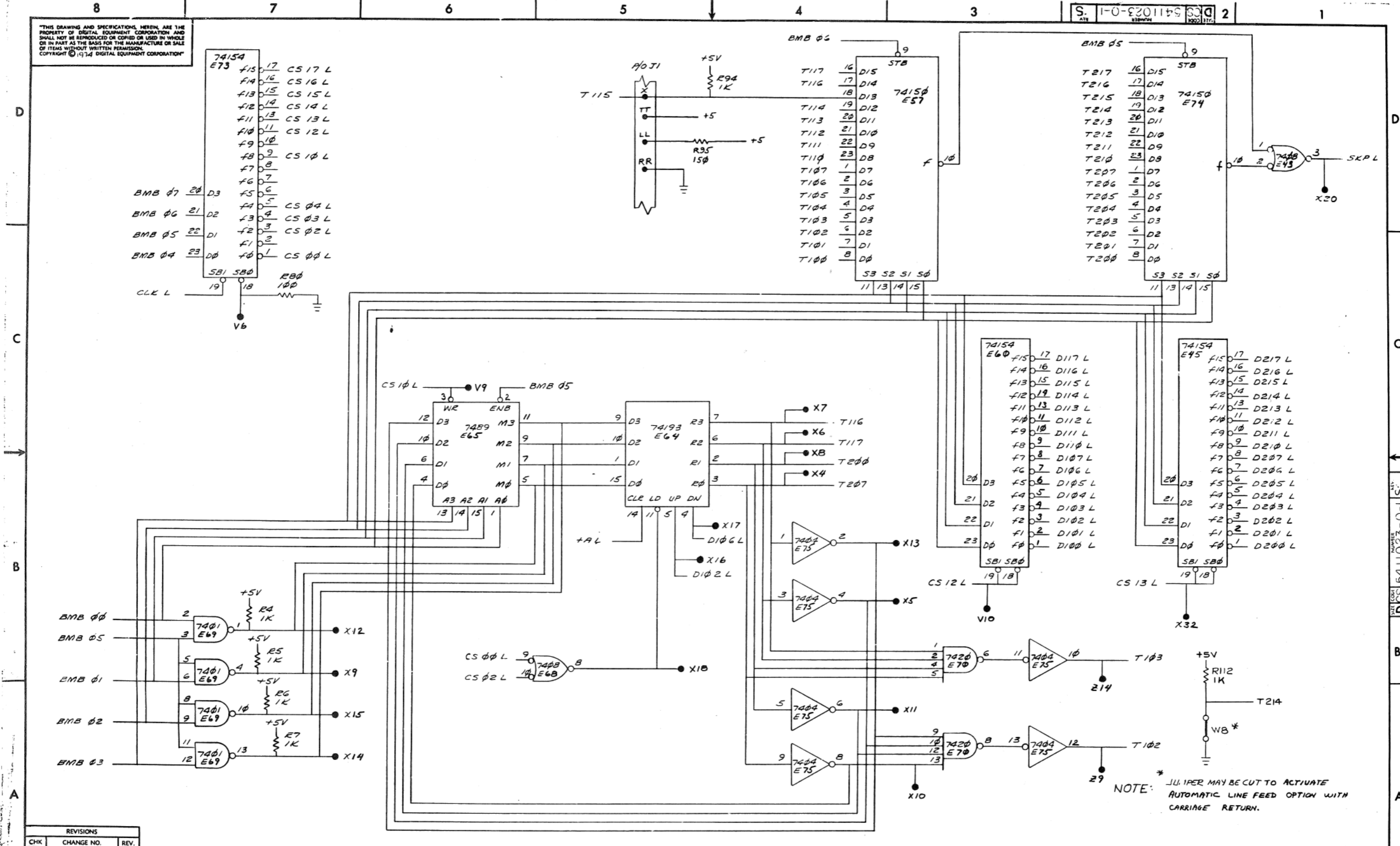
THIS DRAWING AND SPECIFICATIONS HEREIN ARE THE PROPERTY OF DIGITAL EQUIPMENT CORPORATION AND SHALL NOT BE REPRODUCED OR COPIED OR USED IN WHOLE OR IN PART AS THE BASIS FOR THE MANUFACTURE OR SALE OF ITEMS WITHOUT WRITTEN PERMISSION. COPYRIGHT © 1974 DIGITAL EQUIPMENT CORPORATION



REVISIONS		
CHK	CHANGE NO.	REV.

"THIS DRAWING AND SPECIFICATIONS HEREIN ARE THE PROPERTY OF DIGITAL EQUIPMENT CORPORATION AND SHALL NOT BE REPRODUCED OR COPIED OR USED IN WHOLE OR IN PART AS THE BASIS FOR THE MANUFACTURE OR SALE OF ITEMS WITHOUT WRITTEN PERMISSION. COPYRIGHT © 1974 DIGITAL EQUIPMENT CORPORATION"

S. 1-0-2201149 DCS 5411023-0-1

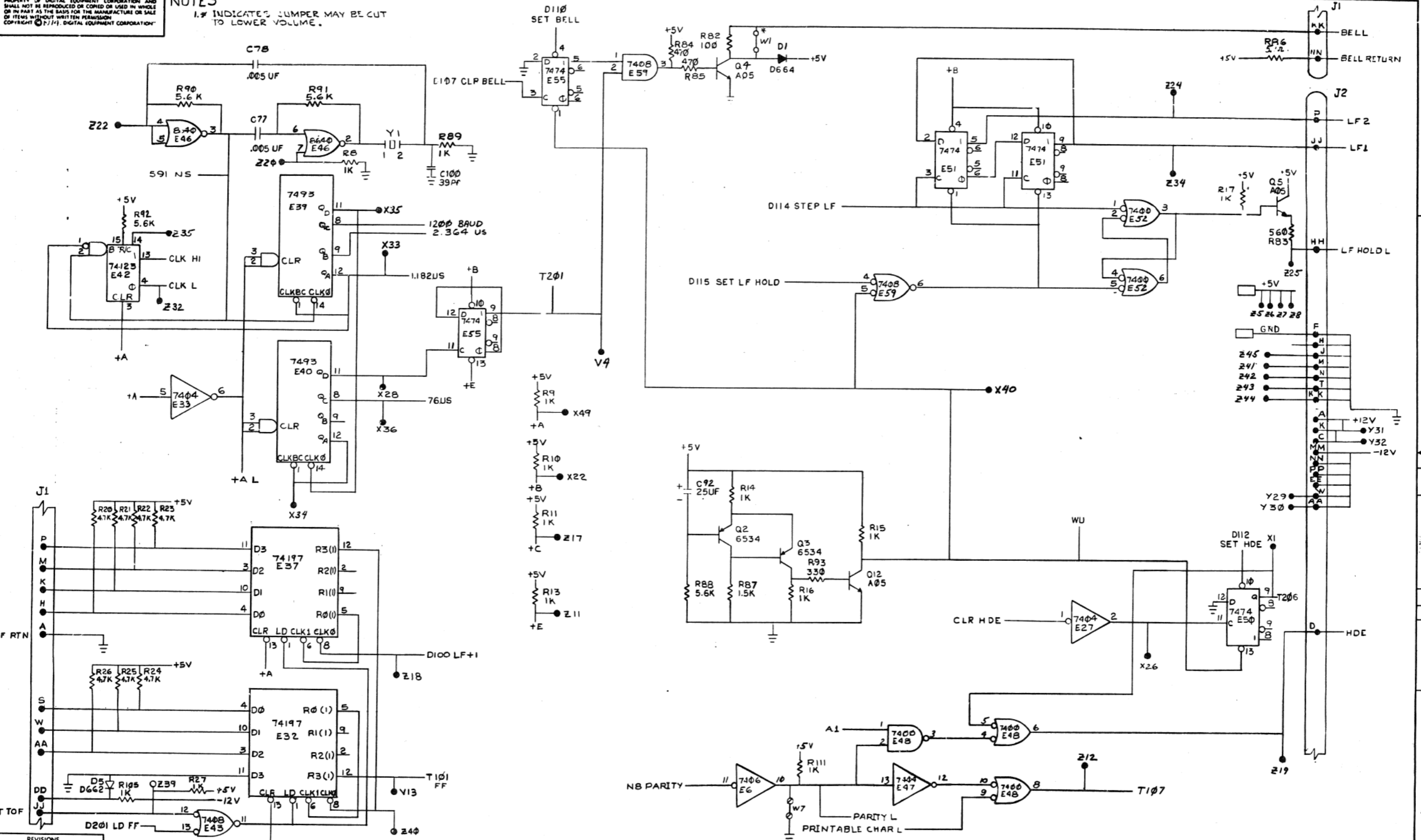


REVISIONS		
CHK	CHANGE NO.	REV.

TITLE LA 180 LOGIC BOARD
 SCALE 1:1 SHEET 4 OF 9
 SIZE CODE DCS 5411023-0-1
 NUMBER
 REV. AS

THIS DRAWING AND SPECIFICATIONS HEREIN ARE THE PROPERTY OF DIGITAL EQUIPMENT CORPORATION AND SHALL NOT BE REPRODUCED OR COPIED OR USED IN WHOLE OR IN PART AS THE BASIS FOR THE MANUFACTURE OR SALE OF ITEMS WITHOUT WRITTEN PERMISSION. COPYRIGHT © 1971, DIGITAL EQUIPMENT CORPORATION.

NOTES
1. * INDICATES LUMPER MAY BE CUT TO LOWER VOLUME.

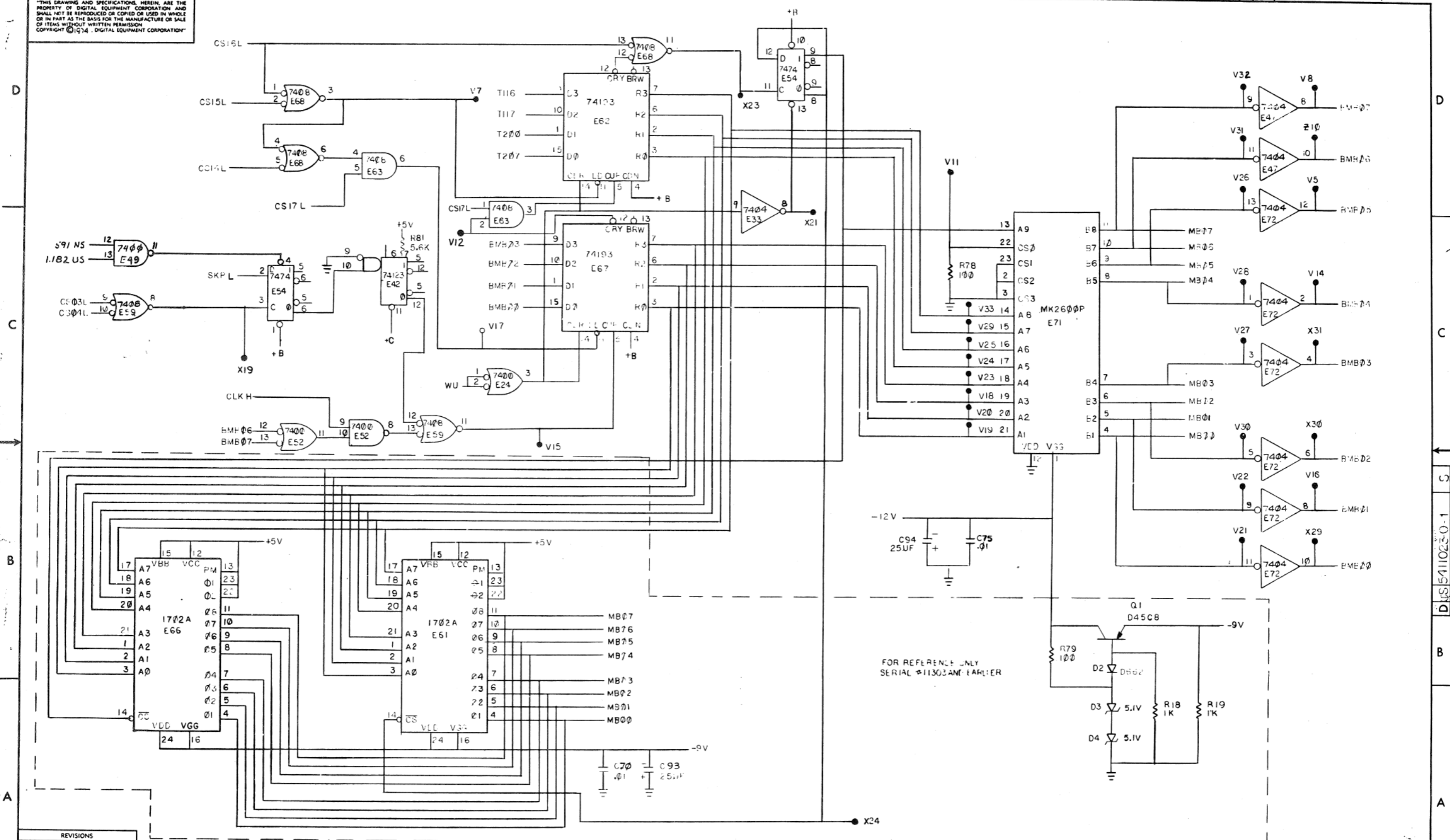


REVISIONS	
CHK	CHANGE NO.

TITLE	LA 180 LOGIC BOARD	SIZE CODE	DCS 5411023-0-1	NUMBER	S	REV.	
SCALE	SHEET 5 OF 9	DIST.					

THIS DRAWING AND SPECIFICATIONS, HEREIN, ARE THE PROPERTY OF DIGITAL EQUIPMENT CORPORATION AND SHALL NOT BE REPRODUCED OR COPIED OR USED IN WHOLE OR IN PART AS THE BASIS FOR THE MANUFACTURE OR SALE OF ITEMS WITHOUT WRITTEN PERMISSION. COPYRIGHT © 1974, DIGITAL EQUIPMENT CORPORATION.

DCS 5411023-0-1



REVISIONS		
CHK	CHANGE NO.	REV.

FOR REFERENCE ONLY
SERIAL #11303 AND EARLIER

TITLE
LA180 LOGIC BOARD

SIZE CODE
D

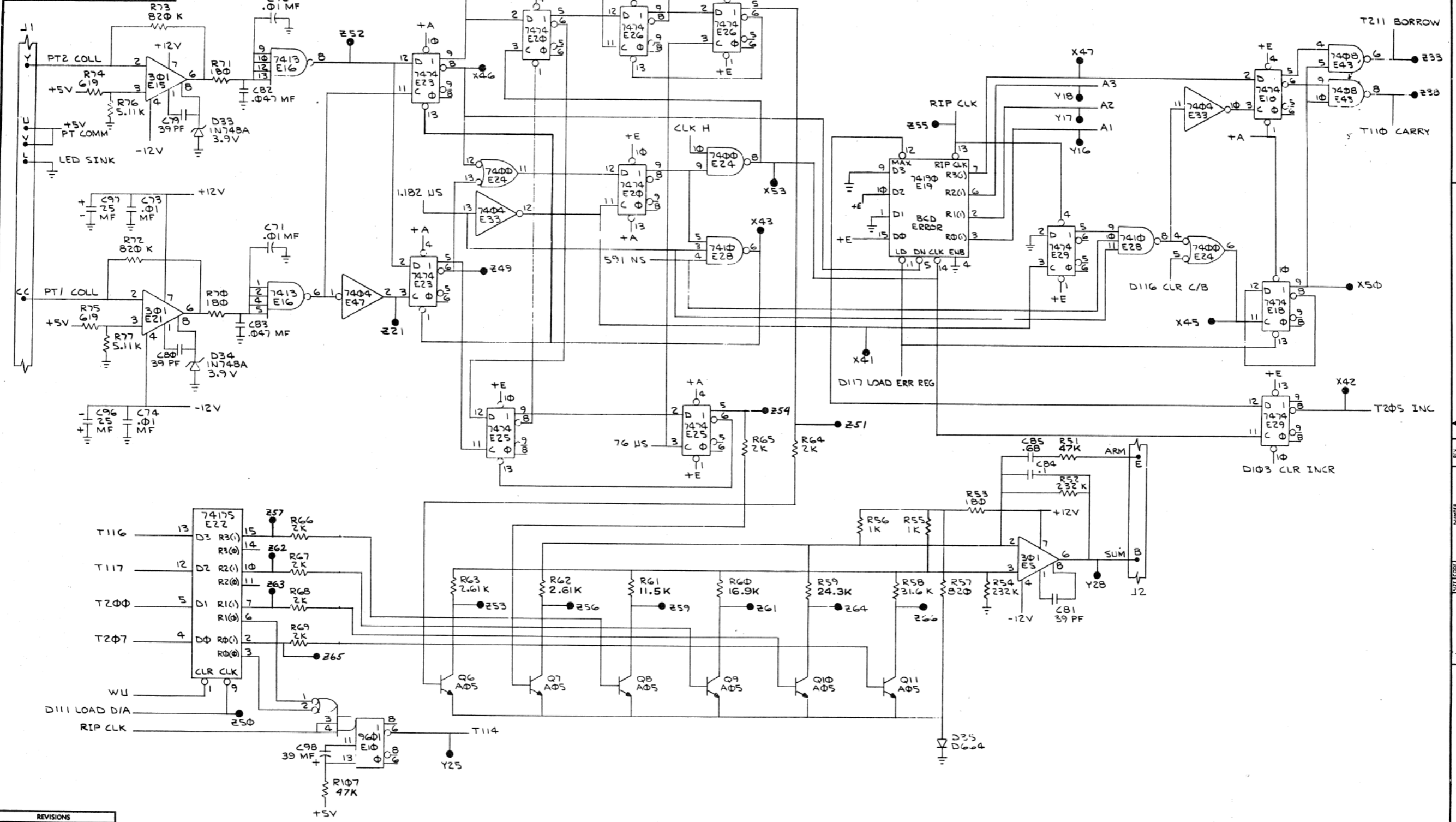
NUMBER
CS 5411023-0-1

SCALE
SHEET 6 OF 9

DIST.

REV.
S

THIS DRAWING AND SPECIFICATIONS HEREIN ARE THE PROPERTY OF DIGITAL EQUIPMENT CORPORATION AND SHALL NOT BE REPRODUCED OR COPIED OR USED IN WHOLE OR IN PART AS THE BASIS FOR THE MANUFACTURE OR SALE OF ITEMS WITHOUT WRITTEN PERMISSION. COPYRIGHT © 1975, DIGITAL EQUIPMENT CORPORATION.

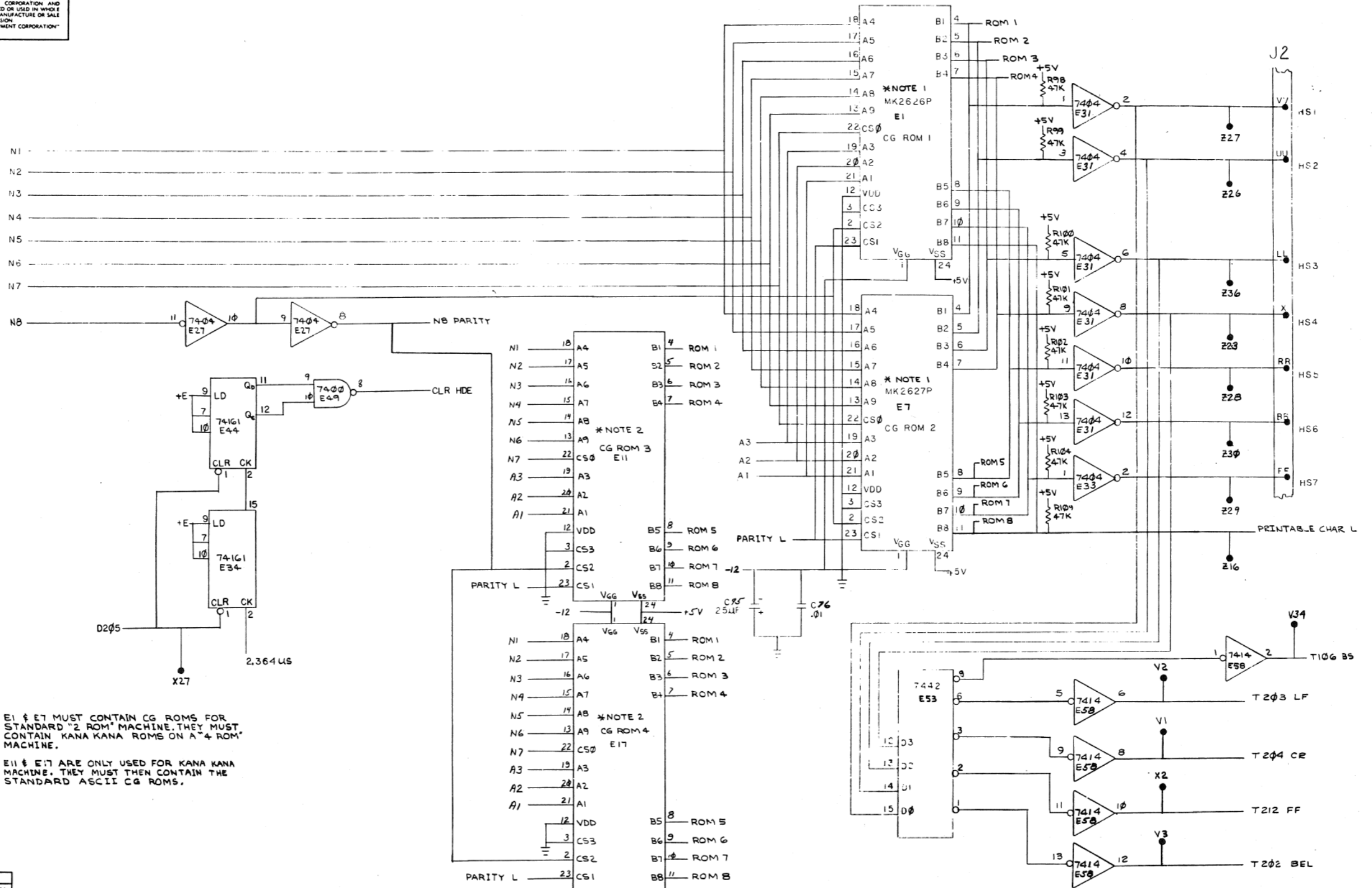


REVISIONS		
CHK	CHANGE NO.	REV.

TITLE	LA180 LOGIC BOARD	SIZE CODE	D CS	NUMBER	5411023-0-1	REV.	S
SCALE	SHEET 7 OF 9	DIST.					

5411023-0-1
 DCS

"THIS DRAWING AND SPECIFICATIONS HEREIN ARE THE PROPERTY OF DIGITAL EQUIPMENT CORPORATION AND SHALL NOT BE REPRODUCED OR COPIED IN WHOLE OR IN PART AS THE BASIS FOR THE MANUFACTURE OR SALE OF ITEMS WITHOUT WRITTEN PERMISSION. COPYRIGHT © 1974, DIGITAL EQUIPMENT CORPORATION."

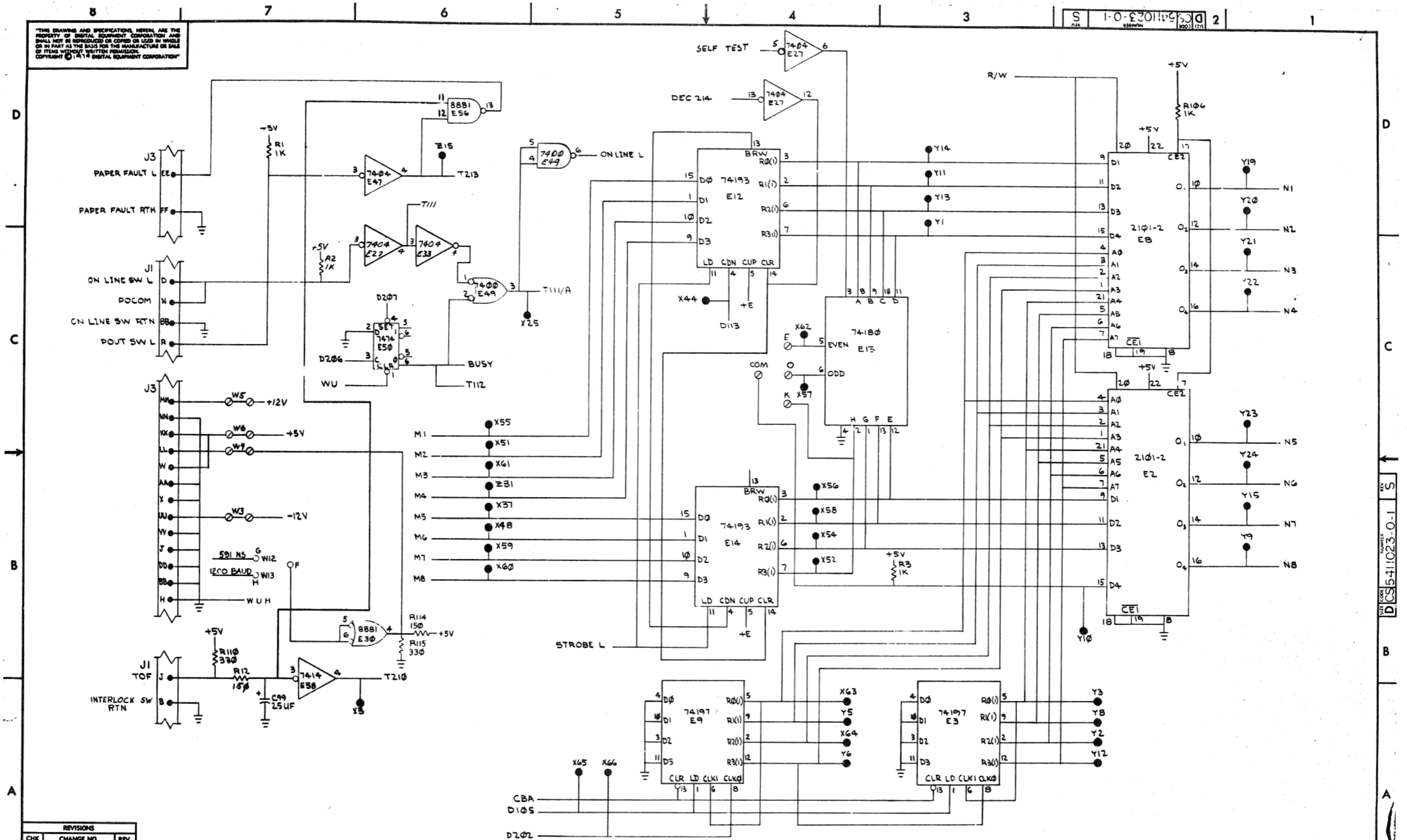


* NOTE 1 E1 & E7 MUST CONTAIN CG ROMS FOR STANDARD "2 ROM" MACHINE. THEY MUST CONTAIN KANA KANA ROMS ON A "4 ROM" MACHINE.
 * NOTE 2 E11 & E17 ARE ONLY USED FOR KANA KANA MACHINE. THEY MUST THEN CONTAIN THE STANDARD ASCII CG ROMS.

REVISIONS		
CHK	CHANGE NO	REV

D CS 5411023-0-1

"THIS DRAWING AND SPECIFICATIONS HEREIN ARE THE PROPERTY OF DIGITAL EQUIPMENT CORPORATION AND SHALL NOT BE REPRODUCED OR COPIED OR USED IN WHOLE OR IN PART AS THE BASIS FOR THE MANUFACTURE OR SALE OF ITEMS WITHOUT WRITTEN PERMISSION. COPYRIGHT © 1974 DIGITAL EQUIPMENT CORPORATION"



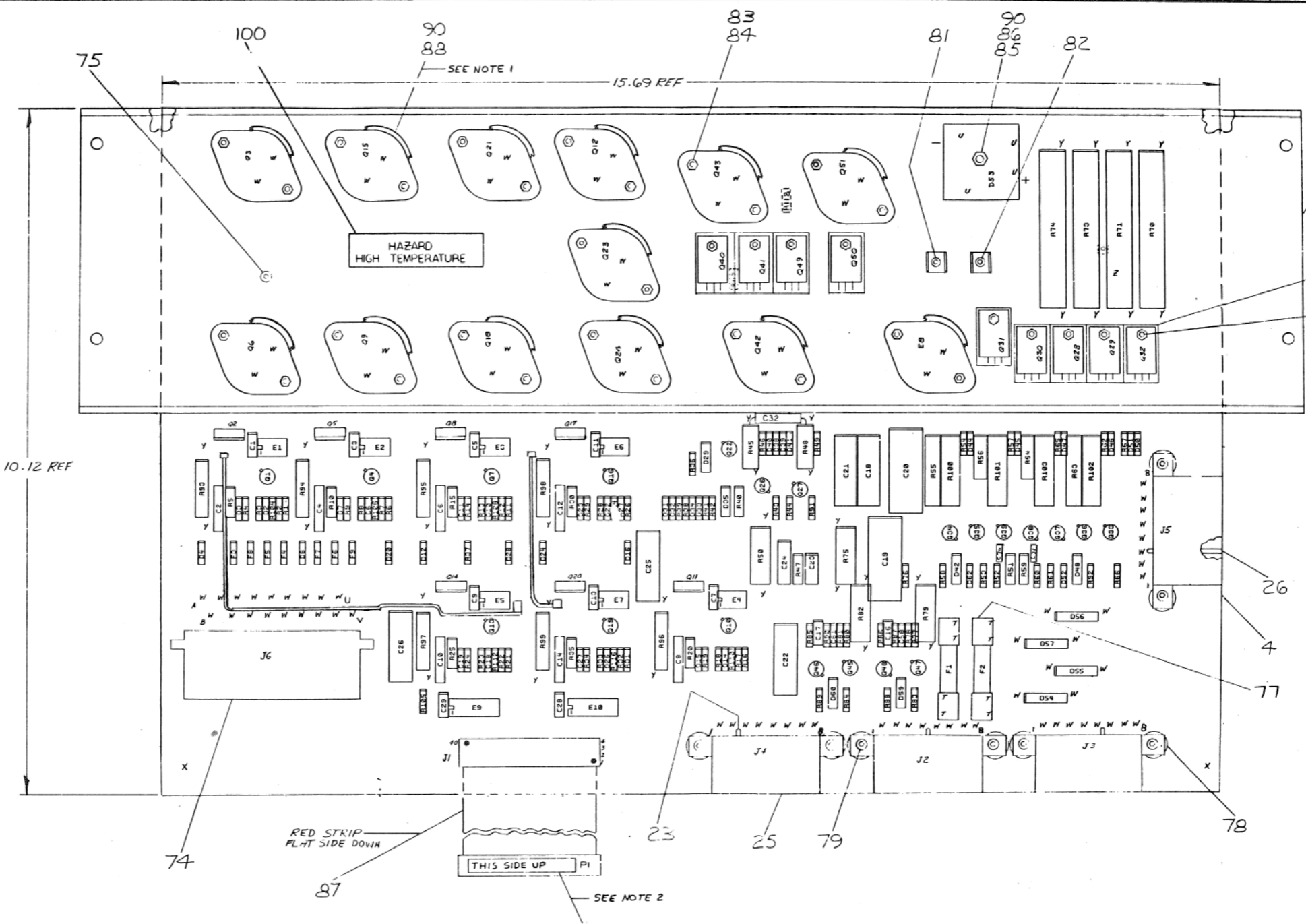
REVISIONS		
CHK	CHANGE NO.	REV.

TITLE	LAI80 LOGIC BOARD	SIZE/CODE	D CS 5411023-0-1	NUMBER		REV.	S
SCALE		SHEET	9	OF	9	DIST.	

DCS 5411023-0-1

THIS DRAWING AND SPECIFICATIONS HEREIN ARE THE PROPERTY OF DIGITAL EQUIPMENT CORPORATION AND SHALL NOT BE REPRODUCED OR COPIED OR USED IN WHOLE OR IN PART AS THE BASIS FOR THE MANUFACTURE OR SALE OF ITEMS WITHOUT WRITTEN PERMISSION. COPYRIGHT © 1975 DIGITAL EQUIPMENT CORPORATION

- NOTES:**
1. COMPOUND (ITEM 94) TO BE USED ON BOTH SIDES OF ALL INSULATORS (ITEMS 88 Y 89) AND D53.
 2. THIS SIDE UP STICKER TO BE INSTALLED ON CABLE CONNECTOR P1 AS SHOWN.
 3. CONNECTORS:
 J1 - J1 LOGIC
 J2 - FILTER CAPS
 J3 - LINE VOLTAGE
 J4 - CARRIAGE MOTOR
 J5 - LINE FEED MOTOR
 J6 - HEAD CABLE



IC TYPE	GND	+5V

GND AND 5V ARE USUALLY PIN 7 AND 14 RESPECTIVELY EXCEPTIONS ARE STATED ABOVE

CHK	CHANGE NO.	REV.

QTY	REF. DESIGNATION	DESCRIPTION	PART NO.	ITEM NO.

DRN: J. K. Horne
 CHK'D: [Signature]
 ENGR: [Signature]
 PROJ: [Signature]
 DATE: 9/14/75
 DATE: 1/23/75
 DATE: 4/30/75
 DATE: 4/30/75
 DATE: 5/1/75

digital

TITLE
 LA180
 POWER BOARD

SIZE CODE D
 CS 5411021-0-1
 NUMBER
 REV. 11

THIS DRAWING AND SPECIFICATIONS HEREIN ARE THE PROPERTY OF DIGITAL EQUIPMENT CORPORATION AND SHALL NOT BE REPRODUCED OR COPIED OR USED IN WHOLE OR IN PART AS THE BASIS FOR THE MANUFACTURE OR SALE OF ITEMS WITHOUT WRITTEN PERMISSION. COPYRIGHT © 1975, DIGITAL EQUIPMENT CORPORATION.

D CS 5411021-0-1 2

QTY	REF DESIGNATIONS	DESCRIPTION	PART NO	ITEM NO
REF		X-Y COORDINATE HOLE LOCATION	K-10-9411021-0-4	1
REF		ASSY DRILLING HOLE LAYOUT	E-44-5911021-0-5	2
REF		MODULE ECO HISTORY	B-44-5911021-0-6	3
1		ETCHED CIRCUIT BOARD	5011020	4
3	C18, C21, C22	CAP 25MF, 25V, 10% +75% AL EL	1000075-00	5
6	C16, C17, C28, C29-C31	CAP .01MF, 100V 20% DISC	1001610-01	6
1	C19	CAP .22MF, 110V, 10% MYLAR	1000037-00	7
1	C20	CAP 190MF, 12V, 20% AL EL	1009433-00	8
2	C25, C26	CAP 20MF, 50V, 10% +75% AL EL	1002839-00	9
1	C24	CAP 1.5MF, 35V, 10% S TANT	1009725-00	10
7	C1, C3, C5, C7, C9, C11, C13	CAP .15PF, 100V, 5% D.M.	1000427-00	11
8	C2, C4, C6, C8, C10, C12, C14, C22	CAP .1UF, 100V, 20% DISC	1000030-00	12
1	C23	CAP .33UF, 20V, 10% S TANT	1005328-00	13
22	D2, D3, D6, D7, D10, D11, D14, D15, D18, D19, D20, D27, D22, D23, D38, D40, D41, D39, D52, D61, D58, D62	DIODE D664	1100114-00	14
2	D31, D33	DIODE IN4744	1105648-00	15
13	D4, D8, D12, D16, D20, D28, D90, D47, D44, D45, D50, D37, D24	DIODE IN4004	1105796-00	16
4	D54 THRU D57	DIODE IN4721	1110182-00	17
1	D53	DIODE BRIDGE 21V	1110714-00	18
4	D29, D35, D59, D60	DIODE .4M 5.1A21 5.1V, 1% ZENER	1105873-00	19
2	D32, D34	DIODE IN4733	1110458-00	20
1	D20	DIODE IN4764	1104860-00	21
2	D42, D48	DIODE IN798A	1100122-00	22
4		KEYING PLUG, MATE-N-LOK	1211595-00	23
				24
4	J2, J3, J4, J5	CONN MATE-N-LOK B SKT	1209340-00	25
28		SOCKET PC, MATE-N-LOK	1209456-01	26
2	R52, R60	RES 2K, 1/4W, 5%	1302388-00	27
1	R47	RES 39, 1/2W, 5%	1302336-00	28
7	R93 THRU R99	RES 1, 3W, 5% W.W.	1312547-00	29
4	R100 THRU R103	RES 4, 5W, 5% W.W.	1311624-00	30
1	R67	RES 100, 1/4W, 5%	1300229-00	31
1	R76	RES 18, 1/4W, 5%	1302124-00	32
2	R73, R74	RES 100, 10W, 5% W.W.	1310597-00	33
7	R5, R10, R15, R20, R25, R30, R35	RES 100, 1/2W, 5%	1300228-00	34
5	R44, R58, R92, R108, R112	RES 1.5K, 1/4W, 5%	1300391-00	35
1	R84	RES 220, 1/4W, 5%	1300271-00	36
2	R56, R64	RES 150, 2W, 5% W.W.	1305524-00	37
2	R55, R63	RES 150, 5W, 5% W.W.	1301898-00	38
1	R83	RES 270, 1/4W, 5%	1301972-00	39
1	R50	RES 390, 2W, 5%	1301864-00	40
1	R75	RES 270, 2W, 10%	1300288-00	41
1	R82	RES 300, 2W, 5%	1309855-00	42
2	R78, R81	RES 390, 1/4W, 5%	1300309-00	43
1	R79	RES 470, 2W, 5%	1303062-00	44
2	R85, R86	RES 150, 1/4W, 5%	1300250-00	45
2	R51, R59	RES 300, 1/2W, 5%	1300291-00	46
9	R43, R4, R9, R14, R19, R24, R29, R34, R105	RES 1K, 1/4W, 5%	1300365-00	47

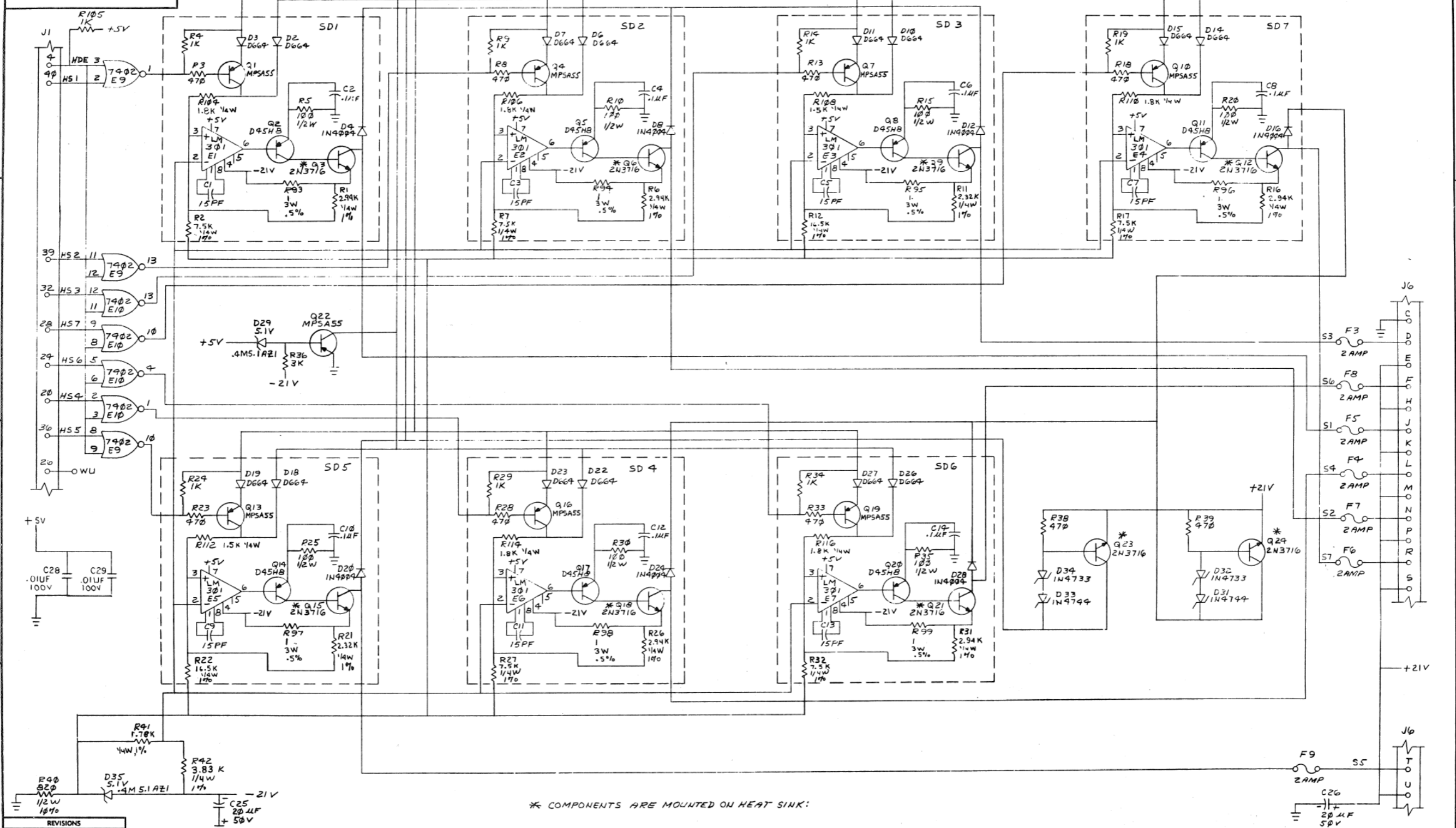
QTY	REF DESIGNATIONS	DESCRIPTION	PART NO	ITEM NO
2	R45, R48	RES 560, 1W, 5%	1303048-00	48
3	R77, R80, R91	RES 3.9K, 1/4W, 5%	1300444-00	49
2	R90, R92	RES 4.7K, 1/4W, 5%	1300447-00	50
3	R53, R61, R66	RES 10K, 1/4W, 5%	1300479-00	51
2	R88, R89	RES 464, 1/4W, 1%	1303047-00	52
2	R87, R90	RES 619, 1/4W, 1%	1305126-00	53
18	R3, R8, R13, R18, R23, R33, R38, R43, R48, R46, R49, R54, R57, R62, R65	RES 970, 1/4W, 5%	1300316-00	54
1	R40	RES 820, 1/2W, 10%	1300356-00	55
1	R36	RES 3K, 1/4W, 5%	1300932-00	56
5	R2, R7, R17, R27, R32	RES 7.5K, 1/4W, 1%	1305322-00	57
1	R41	RES 1.78K, 1/4W, 1%	1302612-00	58
5	R1, R6, R16, R26, R31	RES 2.94K, 1/4W, 1%	1301981-00	59
1	R42	RES 3.83K, 1/4W, 1%	1309413-00	60
2	R11, R21	RES 2.32K, 1/4W, 1%	1312545-00	61
9	Q3, Q6, Q9, Q12, Q15, Q18, Q23, Q24, Q21	TRANS 2N3716	1503069-00	62
2	Q42, Q43	TRANS 3715	1503068-00	63
1	Q51	TRANS 2N3791	1509561-00	64
2	Q38, Q39	TRANS 6531B	1509338-00	65
6	Q26, Q36, Q39, Q47, Q48, Q33	TRANS MPS 405	1510705-00	66
13	Q37, Q35, Q1, Q4, Q7, Q10, Q13, Q16, Q19, Q27, Q22, Q45, Q46	TRANS MPS 455	1510706-00	67
5	Q41, Q28, Q30, Q49, Q32	TRANS TIP31A	1512590-00	68
4	Q40, Q29, Q31, Q50	TRANS TIP32 A	1512589-00	69
7	Q2, Q5, Q8, Q11, Q14, Q17, Q20	TRANS D45HB	1510708-00	70
2	E3, E10	IC 7402	1909004-00	71
1	E8	IC LM309K REGULATOR	1910460-00	72
7	E1 THRU E7	IC LM301A OP AMP	1910282-00	73
1	J6	HB02 18 PIN (MODIFIED)	5510831-00	74
2		RIVET, POP	9006460-00	75
1		HEAT SINK	7413424-00	76
4		FUSE CLIP	9009513-01	77
8		WASHER (MATE-N-LOK STANDOFF)	9006693-00	78
8		EYELET	9006732-00	79
2	F1, F2	FUSE 3 AMP SLO BLO	9007218-00	80
2		FASTON TAB	9007113-00	81
2		EYELET	9009000-00	82
26		SCREW PPH 4-40X1/2	9006013-01	83
35		NUT, KEP 4-40	9006557-00	84
1		SCREW, PPH 6-32 X15/16	9007838-01	85
1		NUT, KEP 6-32	9006560-00	86
1		CABLE, POWER BOARD	C-AD-7010363-1	87
1/3		INSULATOR, TD-3	9006721-00	88
9		INSULATOR	9009597-00	89
1/8		COMPOUND, THERMAL JOINT	9008268-00	90
9		SCREW PPH 4-40 X 7/16	9006012-01	91
7	F3 THRU F9	FUSE, PICO, 2 AMP	1211751-00	92
1		LABEL	3611567-00	93
5	R104, R106, R110, R114, R116	RES 1.8K, 1/4W, 5%	1300398-00	94
2	R12, R22	RES 16.5K, 1/4W, 1%	1312546-00	95
14"	WIRE	WIRE AWG 14, GREEN	9107370-55	96
2	R70, R71	RES. 60, 10W, 5%	1312997	97

QTY	REF. DESIGNATION	DESCRIPTION	PART NO.	ITEM NO
1	R37	RES 10, 1/4W, 5%	1301317-00	93
2	R117, R118	RES 100, 1/4W, 5%	1310881-03	99
1		LABEL, ADHESIVE BACKED, PRINTED	3613307-0-0	100

REVISIONS		
CHK	CHANGE NO	REV

TITLE	LA180 POWER BOARD	SIZE CODE	D CS	NUMBER	5411021-0-1	REV.	N
SCALE	#	SHEET	2	OF	5	DIST.	

"THIS DRAWING AND SPECIFICATIONS HEREIN ARE THE PROPERTY OF DIGITAL EQUIPMENT CORPORATION AND SHALL NOT BE REPRODUCED OR COPIED OR USED IN WHOLE OR IN PART AS THE BASIS FOR THE MANUFACTURE OR SALE OF ITEMS WITHOUT WRITTEN PERMISSION. COPYRIGHT © 1975 DIGITAL EQUIPMENT CORPORATION"

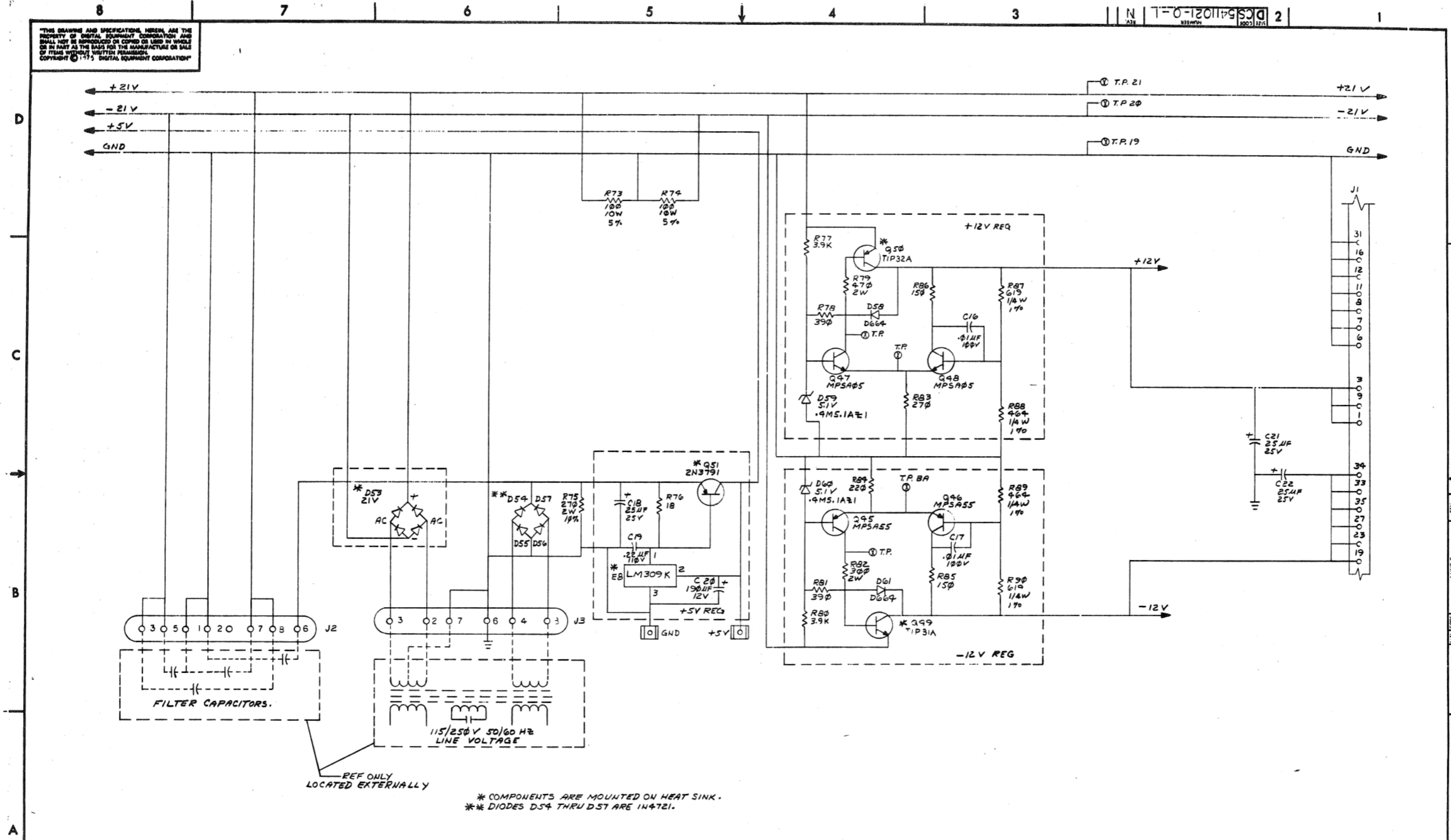


REVISIONS		
CHK	CHANGE NO.	REV.

TITLE	LA180 POWER BOARD	SIZE CODE	D	NUMBER	CS5411021-0-1	REV.	N
SCALE	1/1	SHEET	3	OF	5	DIST.	

"THIS DRAWING AND SPECIFICATIONS HEREAFTER ARE THE PROPERTY OF DIGITAL EQUIPMENT CORPORATION AND SHALL NOT BE REPRODUCED OR COPIED OR USED IN WHOLE OR IN PART AS THE BASIS FOR THE MANUFACTURE OR SALE OF ITEMS WITHOUT WRITTEN PERMISSION. COPYRIGHT © 1975 DIGITAL EQUIPMENT CORPORATION"

DCS 5411021-0-1 2



FILTER CAPACITORS.

REF ONLY LOCATED EXTERNALLY

* COMPONENTS ARE MOUNTED ON HEAT SINK.
 ** DIODES DS4 THRU DS7 ARE IN4721.

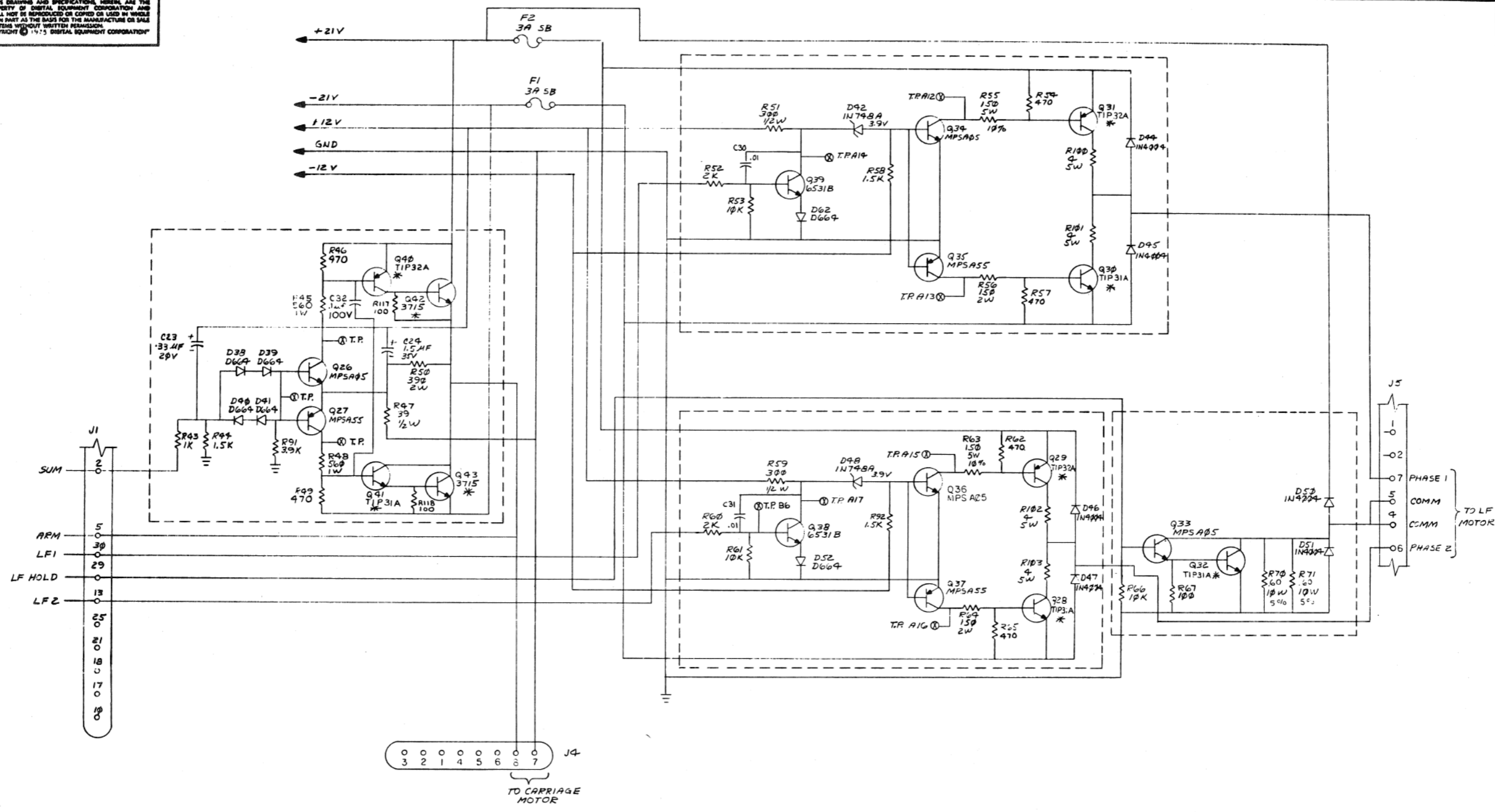
REVISIONS		
CHK	CHANGE NO.	REV.

TITLE	LA180 POWER BOARD	SIZE CODE	NUMBER	REV.
SCALE		SHEET	4 OF 5	N
DCS 5411021-0-1		DIST.		

DCS 5411021-0-1

"THIS DRAWING AND SPECIFICATIONS HEREIN ARE THE PROPERTY OF DIGITAL EQUIPMENT CORPORATION AND SHALL NOT BE REPRODUCED OR COPIED OR USED IN WHOLE OR IN PART AS THE BASIS FOR THE MANUFACTURE OR SALE OF ITEMS WITHOUT WRITTEN PERMISSION. COPYRIGHT © 1975 DIGITAL EQUIPMENT CORPORATION"

1-0-1201179 SJU 2



* COMPONENTS ARE MOUNTED ON HEAT SINK.

REVISIONS		
CHK	CHANGE NO.	REV.

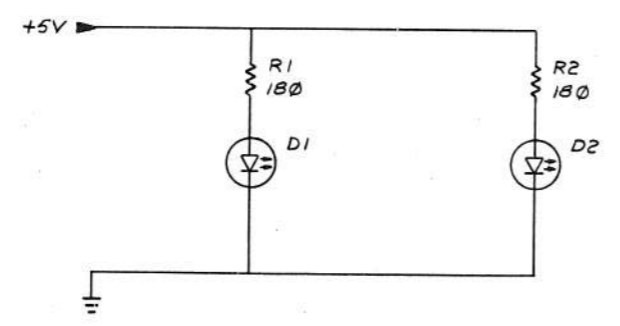
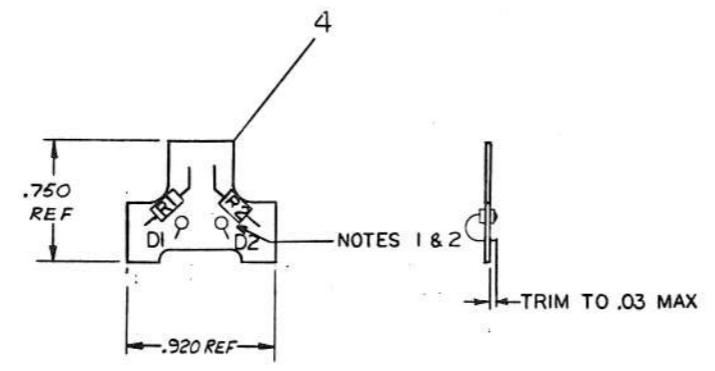
TITLE	LA180 POWER BOARD	SIZE CODE	DCS 5411021-0-1	NUMBER		REV.	N
SCALE		SHEET	5 OF 5	DIST.			

DCS 5411021-0-1

This drawing and specifications, herein, are the property of Digital Equipment Corporation and shall not be reproduced or used in whole or in part as the basis for the manufacture or sale of items without written permission.

COPYRIGHT © 1974 DIGITAL EQUIPMENT CORPORATION

NOTES:
 1. HEAT APPLIED TO D1 AND D2 DURING SOLDERING SHALL NOT EXCEED 285°C FOR A PERIOD OF 15 SECONDS.
 2. FINISHED HOLE SIZE FOR MOUNTING D1 AND D2 SHALL BE .078 MIN. .083 MAX



REF	X-Y COORDINATE HOLE LOCATION	K-10-5410991-0-4	1	
REF	ASSY/DRILLING HOLE LAYOUT	D-AH-5410991-0-5	2	
REF	MODULE ECO HISTORY	B-MH-5410991-0-6	3	
1	ETCHED CIRCUIT BOARD	DIA-5010790-0-0	4	
2	R1, R2	RES 180 1/4W 5%	1301322	5
2	D1, D2	LIGHT EMITTING DIODE	1111907	6

QTY	REF DESIGNATION	DESCRIPTION	PART NO.	ITEM NO.
-----	-----------------	-------------	----------	----------

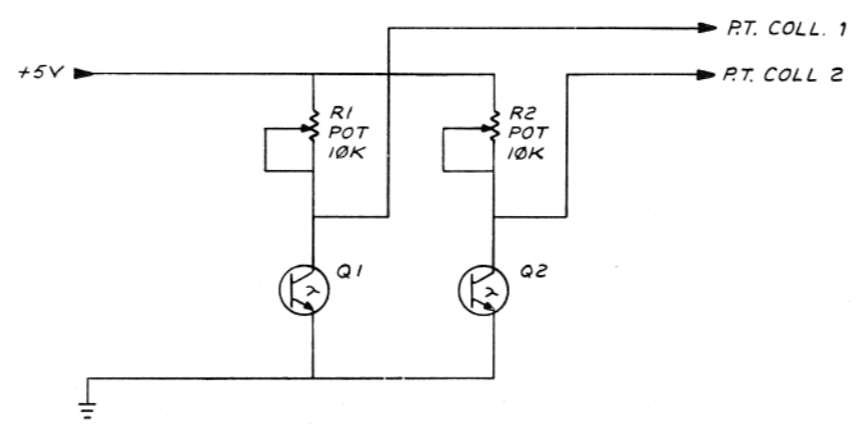
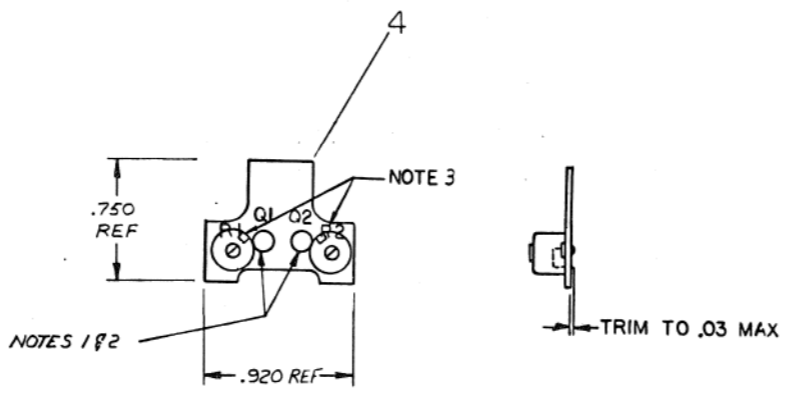
ETCH BOARD REV		B	PARTS LIST		
DRN	DATE	5/11/74	EQUIPMENT CORPORATION MAYNARD MASSACHUSETTS TITLE: LA36 ENCODER PC BOARD LED SIZE CODE: DCS 5410991-0-1 NUMBER: 1 REV: C		
CHKD	DATE	5-1-74			
ENG	DATE	2-12-74			
PRGM. ENG.	DATE	2-12-74			
PSDD	DATE	2-13-74			
NEXT HIGHER ASSY					
DEC NO.	EIA NO.	DEC NO.	EIA NO.	SEMICONDUCTOR CONVERSION CHART	
SCALE		SHEET		OF	

REV	DATE	BY	REASON
1	11/7/72	J. BITTO	
2	2-12-74	C. RICKOFF	
3	5-11-74		
4			
5			
6			
7			
8			

NUMBER 5410991-0-1
 SIZE CODE DCS
 REV. C

The drawing and specifications herein are the property of Digital Equipment Corporation and shall not be reproduced or copied or used in whole or in part as the basis for the manufacture or sale of items without written permission.
 COPYRIGHT © 1974 DIGITAL EQUIPMENT CORPORATION

- NOTES:**
1. HEAT APPLIED TO Q1 AND Q2 DURING SOLDERING SHALL NOT EXCEED 285° C FOR A PERIOD OF 15 SECONDS.
 2. FINISHED HOLE SIZE FOR MOUNTING Q1 AND Q2 SHALL BE .078 MIN., .083 MAX.
 3. R1 AND R2 MUST BE ORIENTED AS SHOWN, WITH NOTCH TOWARD CENTER OF BOARD.



REF		X-Y COORDINATE HOLE LOCATION	K-CO-5411049-0-4	1
REF		ASSY/DRILLING HOLE LAYOUT	D-AH-5411049-0-5	2
REF		MODULE ECO HISTORY	B-MH-5411049-0-6	3
REF		ETCHED CIRCUIT BOARD	D-IA-5010790-0-0	4
2	R1, R2	POTENTIOMETER 10K	1309150-12	5
2	Q1, Q2	PHOTOTRANSISTOR	1511906	6

QTY	REF DESIGNATION	DESCRIPTION	PART NO.	ITEM NO.
PARTS LIST				
ETCH BOARD REV B				
DRN		DATE	EQUIPMENT CORPORATION	
CHK'D		DATE	WATYARD MASSACHUSETTS	
ENG		DATE	TITLE	
PRJL ENG		DATE	LA36	
PROD		DATE	ENCODER PC BOARD	
NEXT HIGHER ASSY		DATE	PHOTOTRANSISTOR	
SCALE		SIZE CODE NUMBER REV.		
SHEET 1 OF 1		DCS 5411049-0-1 C		

CHK	CHANGE NO.	REV
		B
		A

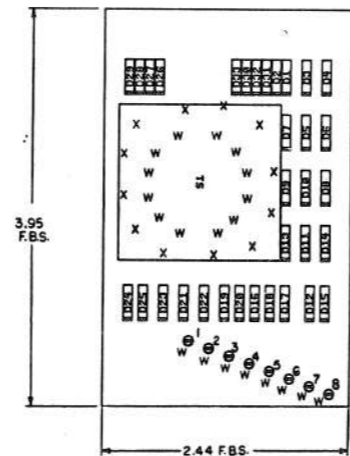
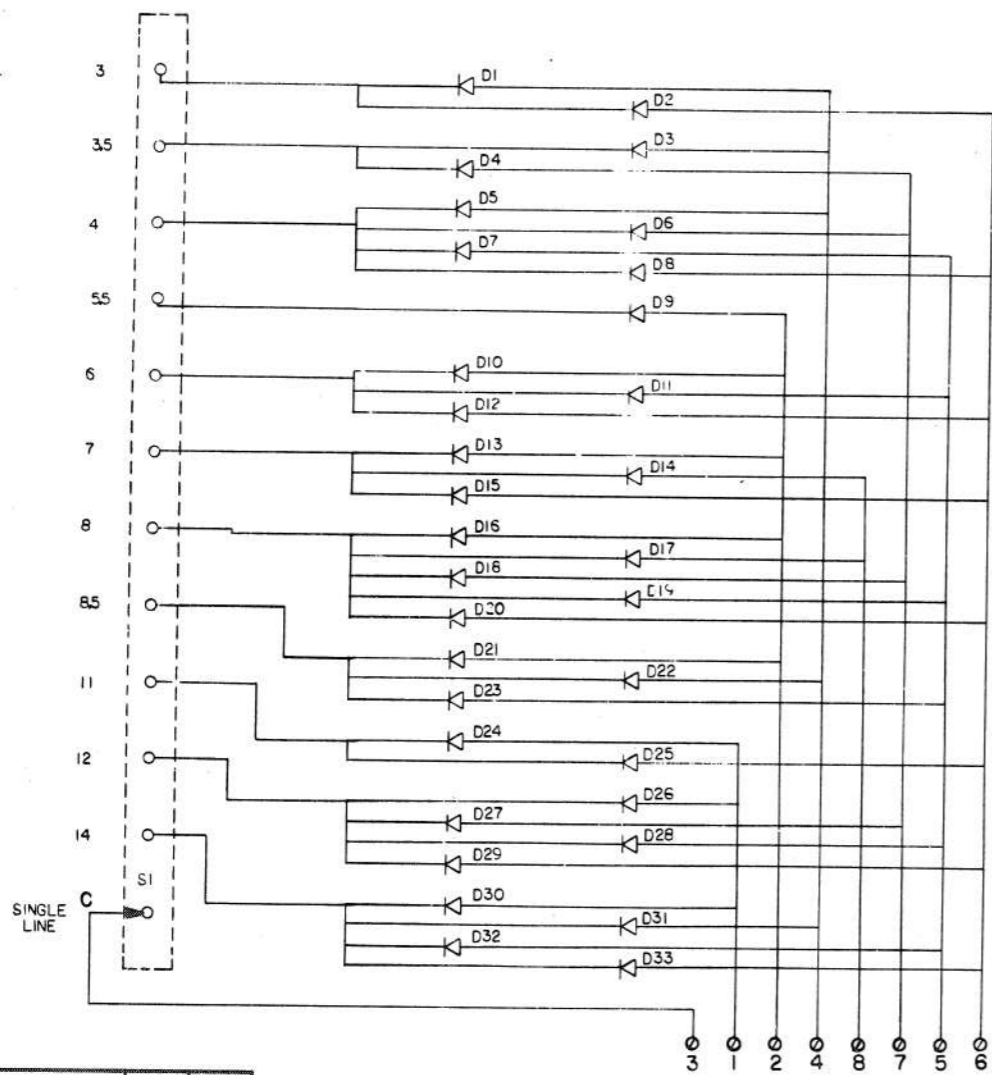
DEC NO.	EIA NO.	DEC NO.	EIA NO.

SEMICONDUCTOR CONVERSION CHART

THIS DRAWING AND SPECIFICATIONS HEREIN ARE THE PROPERTY OF DIGITAL EQUIPMENT CORPORATION AND SHALL NOT BE REPRODUCED OR COPIED OR USED IN WHOLE OR IN PART AS THE BASIS FOR THE MANUFACTURE OR SALE OF ITEMS WITHOUT WRITTEN PERMISSION. COPYRIGHT © 1975 DIGITAL EQUIPMENT CORPORATION

NOTES:

FORM SWITCH



IC TYPE	GND	+5V
GND AND 5V ARE USUALLY PIN 7 AND 14 RESPECTIVELY EXCEPTIONS ARE STATED ABOVE		
IC PIN LOCATIONS		

QTY	REF. DESIGNATION	DESCRIPTION	PART NO.	ITEM NO.
8		SPLIT LUG	9006735-00	7
33	DI-D33	DIODE D664	1100114-00	6
1	S1	SWITCH, SINGLE POLE - 12 POSITION	1212443-00	5
1		ETCHED CIRCUIT BOARD	C-MD-5011652-00	4
REF		MODULE ECO HISTORY	B-MH-5411653-0-6	3
REF		ASSY/DRILLING HOLE LAYOUT	D-AH-5411653-0-5	2
REF		X-Y COORDINATE HOLE LOCATION	K-CO-5411653-0-4	1

FIRST USED ON OPTION MODEL: LA180

ETCH BOARD REV. A

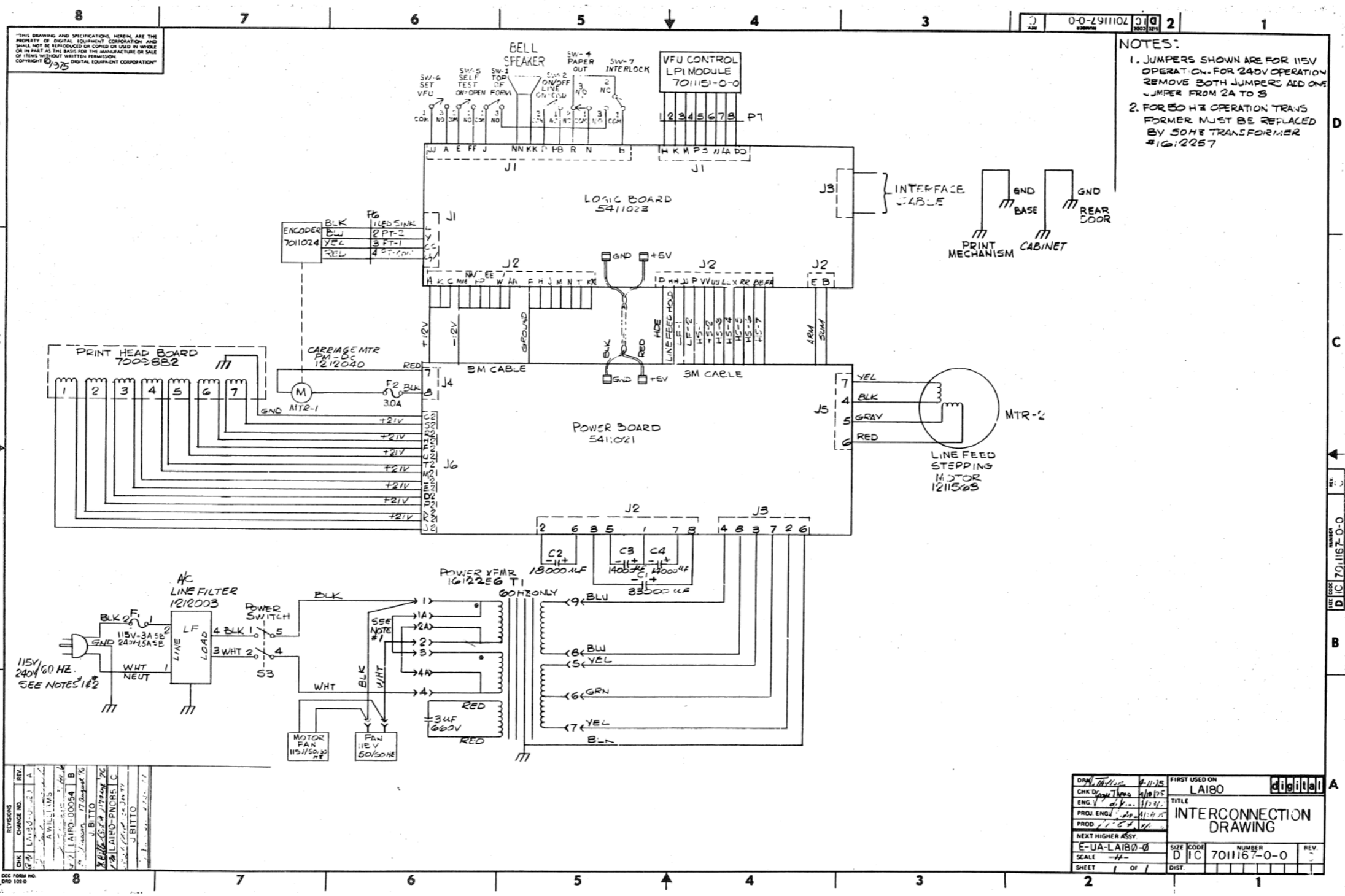
DRN.	DATE 2/2/75	<p>TITLE 6 LPI FORM CONTROL</p>
CHKD.	DATE 6/2/75	
PRG.	DATE 4/1/75	
PROJ. ENG.	DATE 4/2/75	
PROD.	DATE 4/2/75	
NEXT HIGHER ASSY		

SCALE: NONE

SEMICONDUCTOR CONVERSION CHART

SIZE CODE: D CS NUMBER: 5411653-0-1

SHEET 1 OF 1



THIS DRAWING AND SPECIFICATIONS HEREIN ARE THE PROPERTY OF DIGITAL EQUIPMENT CORPORATION AND SHALL NOT BE REPRODUCED OR COPIED OR USED IN WHOLE OR IN PART AS THE BASIS FOR THE MANUFACTURE OR SALE OF ITEMS WITHOUT WRITTEN PERMISSION OF DIGITAL EQUIPMENT CORPORATION.

- NOTES:
1. JUMPERS SHOWN ARE FOR 115V OPERATION. FOR 240V OPERATION REMOVE BOTH JUMPERS AND ONE JUMPER FROM 2A TO 3.
 2. FOR 50 Hz OPERATION TRANSFORMER MUST BE REPLACED BY 50 Hz TRANSFORMER #1612257.

REV	BY	DATE	DESCRIPTION
1	J. B. J.	11/75	LA180-0-0
2	J. B. J.	11/75	LA180-0-0
3	J. B. J.	11/75	LA180-0-0
4	J. B. J.	11/75	LA180-0-0
5	J. B. J.	11/75	LA180-0-0
6	J. B. J.	11/75	LA180-0-0
7	J. B. J.	11/75	LA180-0-0
8	J. B. J.	11/75	LA180-0-0

DRAWN: J. B. J.	REV: 11/75	FIRST USED ON: LA180
CHECKED: J. B. J.	REV: 11/75	TITLE: INTERCONNECTION DRAWING
ENG. V. J. J.	REV: 11/75	
PROJ. ENG. J. B. J.	REV: 11/75	
PROD. J. B. J.	REV: 11/75	
NEXT HIGHER ASSY: E-UA-LA180-0	SIZE CODE: D	NUMBER: 701167-0-0
SCALE: -4-	SHEET: 1 OF 1	DIST. 1

DIGITAL EQUIPMENT CORPORATION
MAYNARD MASSACHUSETTS

PACKAGING INSTRUCTION

TITLE
DECwriter

REV: A DATE: 7/75
B 1/76

MATERIAL REQUIREMENTS

Quantity	Purchase Specification No.	Description
1	9905601	Stitched Tube
1	9905601-01	Full Telescope Cap
1	9905639	Pad with Foam (LA36/LA35 only)
1	9905129-39	Poly Bag
1	9905551	Wood Skid
1	9905651-01	Wood Brace (2 X 3)
1	9905551	TEE NUT
2	9905288	3/8-16 X 3 Hex-Head Bolt
1	9909290-03	Caution Tape
1	36-12-20-0-0	Stain Resistant Tape (SM)
6 ft	9909634	Panduit Cable Tie
1	9907012	Polypropylene Strapping
20 ft	9905744-02	Poly Bag

PACKAGING INSTRUCTIONS

Procedure

1. Lift the cover and slide the print head to the left as far as it will go. Slip the Panduit Cable Tie (9907012) around the ribbon rollers (A and B). Do not over-tighten. Fasten Caution Tag (36-12-20-0-0) to tractor drive shaft. Close cover.
2. Place Pad with Foam (9905639) (foam side down) on top of the LA36/LA35 keyboard. Tape with two (2) strips of glass filament tape (9909634). Tape back door closed, using two (2) strips of tape.
3. Place DECwriter on top of Skid Deck (9905651).
4. Place all hardware and software into Poly Bag (9905129-35) and staple to deck of skid.
5. Place one strip of CW21 (Custom Wrap) or Microfoam, over each leg of the DECwriter.
6. Place Wood Brace (9905651-01) on top of legs *as far back as it will go* to properly align the built holes.
7. Place Hex-Head Bolts (9909290-03) through the bolt holes in the wood brace; place the Tee-Nuts (9905288) up and underneath the skid deck; then tighten down.
8. Place a Poly Bag (9905129-39) over the DECwriter. Then, place the Stitched Tube (9905601) over and around the unit. Assemble Full Telescope Cap (9905601-01) and place on top of Stitched Tube.

NOTE
Make sure that the Stitched Tube is resting on the wood skid base, on all 4 sides.

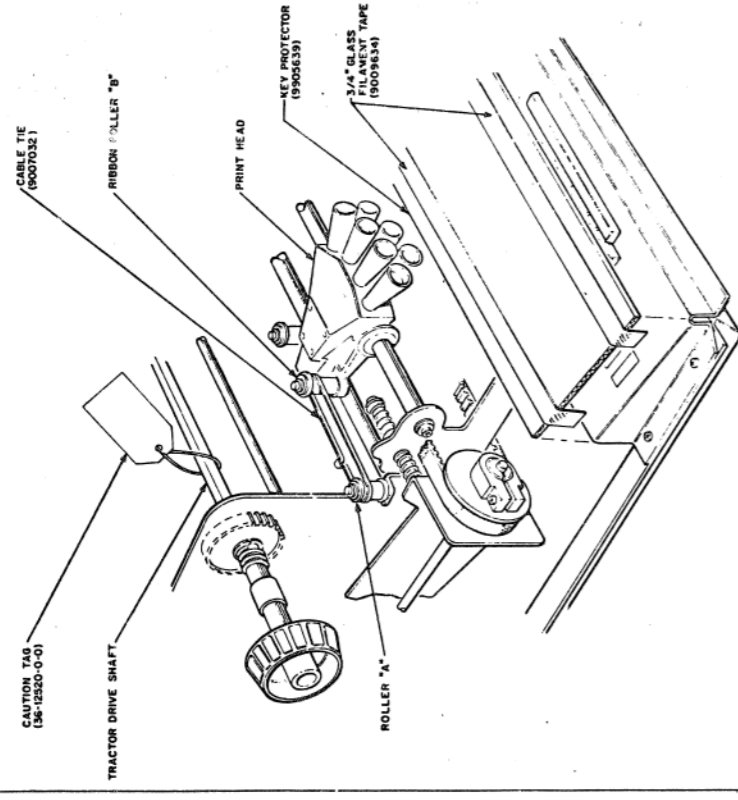
9. Strap in two places as shown in Figure 2. Use Polypropylene strapping (9905744-02).

ENG: *Ken Mevius* APPD: *W. J. Lawrence* SIZE CODE NUMBER 3700131-0-0 REV B
DEC 8-1951-1031-1-8671 A SP SHEET 1 OF 3

PACKAGING INSTRUCTION

TITLE
DECWRITER

REV: DATE:



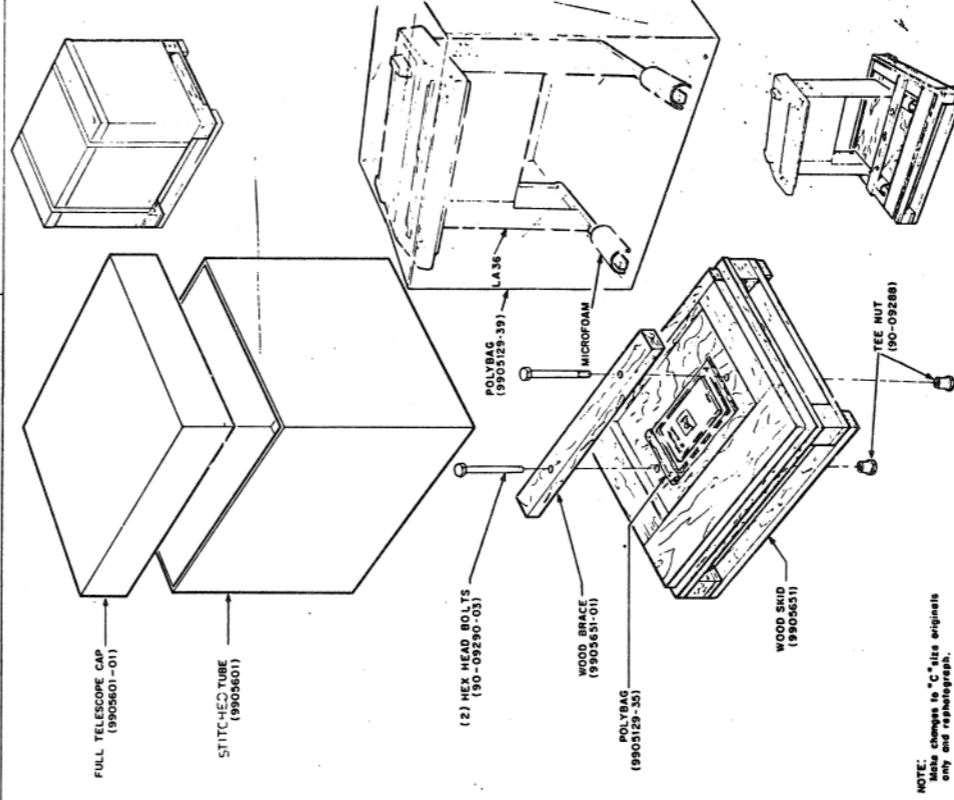
NOTE:
Make changes to "C" size original only and rephotograph.

ENG. APPD. 7/75 SIZE CODE NUMBER 3700131-0-0 REV B
DEC-108 A SP SHEET 2 OF 3

PACKAGING INSTRUCTION

TITLE
DECWRITER

REV: DATE:



NOTE:
Make changes to "C" size original only and rephotograph.

ENG. APPD. 7/75 SIZE CODE NUMBER 3700131-0-0 REV B
Ken Mevius *W. J. Lawrence* A SP SHEET 3 OF 3

CUSTOMER PRINT SET INDEX

THIS IS PRINT SET

SEQUENCE



SEQUENCE



Drawing Directory
Option arrangement
Wheel assembly

B-DD-LAXX-KB
D-AR-LA36-0-1
C-AD-7009751-0

UNIT VARIATIONS		PRINT SET			
VAR	TITLE	1	2	3	4
LAXX-KB	Caster set	1			

DEC 16-1989-1062-1A-R972

REVISIONS		USED ON OPTION/MODEL	DRN	DATE	TITLE	SIZE	CODE	NUMBER	REV
			CHK'D.	DATE					
		LA36	<i>M. Cohen</i>	26 Feb 76	CASTER SET	B	DD	LAXX-KB	
		LA35	<i>M. Cohen</i>	26 Feb 76					
		LA180	<i>J.R. Butte</i>	26 Feb 76					
			PROD.	DATE					
			<i>7/10/76</i>	3/8/76					
			FIELD SERV.	DATE					
			<i>Art Baumgard</i>	8/MAR 76					
		SHEET 1 OF 2							

CUSTOMER PRINT SET	MECHANICAL										CUSTOMER PRINT SET		
MFG. SET	FIND NO.	DRAWING NO.	REV	NO OF SHT	DESCRIPTION	OPTION NO./FILE DATE	MFG. SET	FIND NO.	DRAWING NO.	REV	NO OF SHT	DESCRIPTION	OPTION NO./FILE DATE
X		D-AR-LA36-0-1	#	1	Option arrangement								
X		C-AD-7009751-0	#	1	Wheel assembly								
CUSTOMER PRINT SET CODES	X = PRINT OF DOCUMENT INCLUDED IN PRINT SET					TITLE		SHEET 2 OF 2		SIZE	CODE	NUMBER	REV
	C = INCLUDES ALL PRINTS INDICATED ON DOCUMENT					CASTER SET				B	DD	LAXX-KB	
	S = CONFIDENTIAL AUTHORIZED SIGNATURE REQUIRED												

CUSTOMER PRINT SET INDEX

THIS IS PRINT SET

SEQUENCE		SEQUENCE	
DRAWING DIRECTORY	B-DD-LAXX-KJ		
COMPRESSED FONT OPTION ASSY	E-UA-LAXX-KJ-Ø		
CHECK-OUT PROCEDURE	A-SP-LAXX-KJ-2		

UNIT VARIATIONS		PRINT SET	
VAR	TITLE		
LAXX-KJ	COMPRESSED FONT	1	

REVISIONS	DATE	CHG. NO.	REV	USED ON OPTION/MODEL	DRN.	DATE	TITLE			
					D. GILLEY	10/8/75				
				LAXX-KJ	CHK'D.	DATE	COMPRESSED FONT			
					PROJ ENG.	DATE				
					PROD.	DATE	SIZE	CODE	NUMBER	REV
							B	DD	LAXX-KJ	
					FIELD SERV.	DATE	DIST			
SHEET 1 OF 2										

FN-0106-1A-1G-R972 (325)

CUSTOMER PRINT SET		ELECTRICAL					CUSTOMER PRINT SET		MECHANICAL						
	CFG. SET	FIND NO.	DRAWING NO.	REV	NO OF SHT	DESCRIPTION	OPTION NO./FILE DATE		CFG. SET	FIND NO.	DRAWING NO.	REV	NO OF SHT	DESCRIPTION	OPTION NO./FILE DATE
X			B-DD-LAXX-KJ	#	2	DRAWING DIRECTORY		X			E-UA-LAXX-KJ-0	#	1	COMPRESSED FONT OPTION ASSY	
			A-SP-LAXX-KJ-1			ENGINEERING SPECIFICATION					D-MD-7414908-0-0		1	PULLY, TIMING, 15 TEETH	
X			A-SP-LAXX-KJ-2	#		CHECK-OUT PROCEDURE					C-MD-7414951-0-0		1	CLAMP, PULLEY	
											C-MD-7415010-0-0		1	SPACER, RIGHT-HAND	
											1212406-00		1	PULLEY, TIMING 50 TEETH	
											1211583-02		1	BELT, TIMING	

CUSTOMER PRINT SET 03003	X = FRONT OF DOCUMENT INCLUDED IN PRINT SET C = INCLUDES ALL PRINTS INDICATED ON DOCUMENT S = CONFIDENTIAL AUTHORIZED SIGNATURE REQUIRED	TITLE COMPRESSED FONT	CHEET 2 OF 2	SIZE D DD	NUMBER LAXXKJ	REV
-----------------------------	--	--------------------------	--------------	--------------	------------------	-----