

**PC04/PC05
paper tape
reader/punch
engineering drawings**

PC04/PC05 Engineering Drawings

PC04 Engineering Drawings

| Number | Title |
|-------------------|-------------------------------------|
| D-DI-PC04-0-1 | Drawing Index |
| D-UA-PC04-0-0 | Unit Assembly |
| C-PL-PC04-0-0 | Unit Assembly, Parts List |
| D-BS-PC04-0-2 | Power and Control Schematic Diagram |
| D-BS-PC04-CL-RD | Reader and Power Supply |
| D-BS-PC04-CL-PNCH | Punch |
| D-MU-PC04-0-3 | Module Utilization List |
| A-PL-PC04-0-3 | Parts List, Modules |
| E-AD-7006268-0-0 | Bus Bar |
| A-PL-7006268-0-0 | Bus Bar, Parts List |
| A-SP-PC04-0-4 | PC04 Engineering Specification |

PC05 Engineering Drawings

| Number | Title |
|------------------|-----------------------------|
| D-DI-PC05-0-1 | Drawing Index |
| D-UA-PC05-0-0 | Unit Assembly |
| A-PL-PC05-0-0 | Unit Assembly, Parts List |
| D-BS-PC05-0-4 | Power and Control Schematic |
| C-MU-PC05-0-3 | Module Utilization List |
| A-PL-PC05-0-3 | Parts List, Modules |
| C-AD-7006253-0-0 | Bus Bar |
| A-PL-7006253-0-0 | Bus Bar, Parts List |

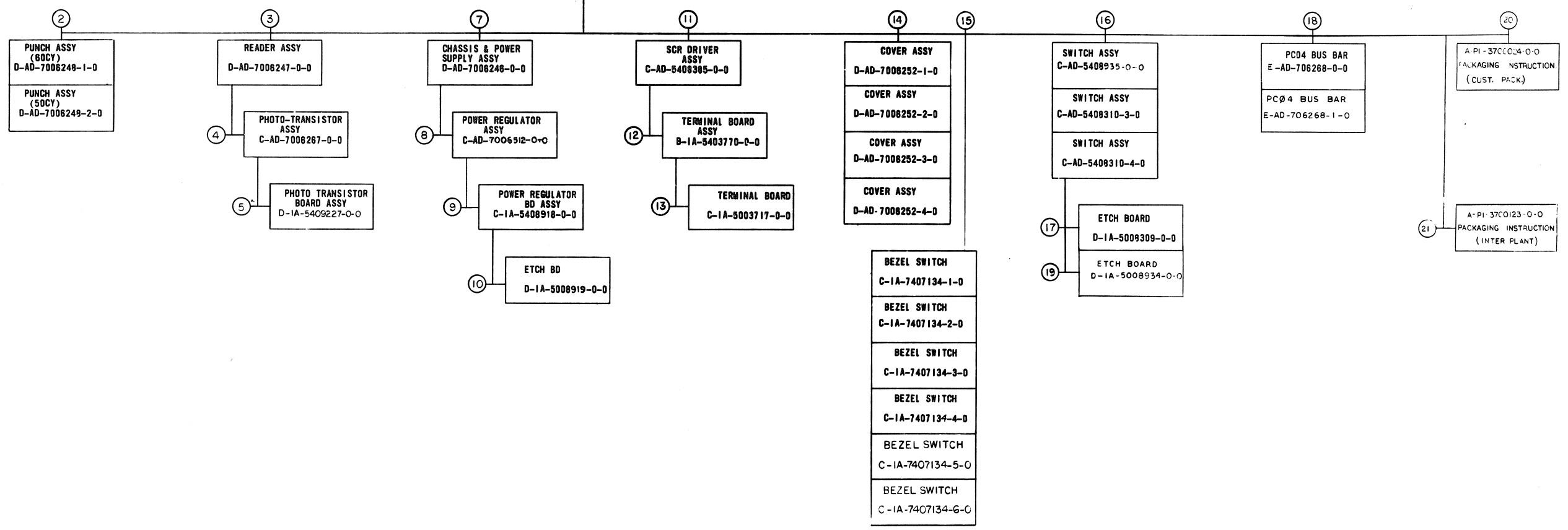
PC04/PC05 Circuit Schematics

| Number | Title |
|------------------|----------------------------------|
| C-CS-G918-0-1 | Photo Transistor Amplifier |
| B-CS-M040-0-1 | Solenoid Driver (Reader Motor) |
| B-CS-M044-0-1 | Solenoid Driver (Punch Solenoid) |
| D-CS-M710-0-1 | Punch Control |
| C-CS-M715-0-1 | Reader Clock |
| E-CS-M840-0-1 | Reader/Punch Control |
| D-CS-M7050-0-1 | Reader Control |
| B-CS-5408918-0-1 | Power Regulator Card |
| B-CS-5408308-0-1 | Power Regulator Card |
| B-CS-5408384-0-1 | Triac Driver Assembly |

This drawing and specifications, herein, are the property of Digital Equipment Corporation and shall not be reproduced or copied or used in whole or in part as the basis for the manufacture or sale of items without written permission.

NOTES:
 1 THE KEY TO SYMBOLS IN THE FIND NO. COLUMNS IN FIND BLOCK 1 IS:
 AN "X" MEANS THE ASSY IS USED.
 A BLANK SPACE MEANS THE ASSY IS NOT USED.
 A DASH AND NUMBER (-1, -2 ETC) MEANS THE ASSY IS USED AND THAT VARIATION OF THE ASSY, HAVING THAT PARTICULAR DASH NUMBER AS PART OF ITS DWG. NUMBER IS USED.
 EXAMPLE:
 A PUNCH MODEL FROM FIND COLUMN 14 USES A (-2) OR A D-AD-7006252-2-0 COVER ASSY

| MODEL | DESCRIPTION | CY. | COMPOSITION | | | | | | | | | | | | | | | | | |
|------------------|-----------------------|-----|-------------|---|---|---|---|---|---|---|----|----|----|----|----|----|----|----|----|----|
| | | | FIND NUMBER | | | | | | | | | | | | | | | | | |
| | | | 2 | 3 | 4 | 5 | 6 | 7 | 8 | 9 | 10 | 11 | 12 | 13 | 14 | 15 | 16 | 17 | 18 | 19 |
| PC04-B, BB & BL | PUNCH & READER | 80 | -1 | X | X | X | | X | X | X | X | | | | | -1 | -1 | -4 | X | X |
| PC04-BA, BC & BM | PUNCH & READER | 90 | -2 | X | X | X | | X | X | X | X | | | | | -1 | -1 | -4 | X | X |
| PC04-C | PUNCH, READER, DRIVER | 80 | -1 | X | X | X | | X | X | X | X | X | X | X | | -4 | -4 | -3 | X | X |
| PC04-CA | PUNCH READER DRIVER | 50 | -2 | X | X | X | | X | X | X | X | X | X | X | | -4 | -4 | -3 | X | X |
| PC04-P & PL | PUNCH | 80 | -1 | | | | | X | X | X | X | | | | | -2 | -2 | -2 | X | X |
| PC04-PA & PM | PUNCH | 50 | -2 | | | | | X | X | X | X | | | | | -2 | -2 | -2 | X | X |
| PC04-R & RB | READER | | | X | X | X | | X | X | X | X | | | | | -3 | -3 | -0 | X | X |



UNIT ASSY. DWG. NO. D-UA-PC04-0-0

| REV. | CHG. NO. | BY | DATE |
|------|------------|----|----------|
| 1 | PC04-00006 | A | 7-7-69 |
| 2 | PC04-00009 | B | 10-2-69 |
| 3 | PC04-00011 | C | 10-10-69 |
| 4 | PC04-00013 | D | 1-14-70 |
| 5 | PC04-00019 | H | 3-11-70 |
| 6 | PC04-00032 | M | 7-4-70 |
| 7 | PC04-00036 | N | 11-27-70 |
| 8 | PC04-00041 | P | 12-18-70 |
| 9 | PC04-00044 | R | 1-26-71 |
| 10 | PC04-00045 | S | 2-24-71 |
| 11 | PC04-00051 | T | 6-11-71 |
| 12 | PC04-00054 | V | 1-26-71 |
| 13 | PC04-00057 | W | 3-20-71 |
| 14 | PC04-00058 | X | 3-27-71 |

FIRST USED ON OPTION / MODEL
 PC04

DO NOT SCALE DRAWING
 UNLESS OTHERWISE SPECIFIED
 DIMENSION IN INCHES
 TOLERANCES
 DECIMALS FRACTIONS ANGLES
 ±.005 ± 1/64 ± 0°30'
 FINAL SURFACE QUALITY
 REMOVE BURRS AND BREAK SHARP CORNERS

DRN DATE 6/16/69
 CHK'D DATE 6/16/69
 ENGR. DATE 6/16/69
 PROJ. ENGR. DATE 6/16/69
 PROD. DATE 6/16/69
 NEXT HIGHER ASSY
 A-ML-PC04

digital EQUIPMENT CORPORATION
 MAYNARD, MASSACHUSETTS

DRAWING INDEX LIST, PC04

SIZE CODE: DDI NUMBER: PC04-0-1 REV: Z

SCALE: 1 OF 2 DIST. G

This drawing and specifications, herein, are the property of Digital Equipment Corporation and shall not be reproduced or copied or used in whole or in part as the basis for the manufacture or sale of items without written permission.

| MECHANICAL | | | | ELECTRICAL | | | |
|------------|---|---|------------|------------|---|--|------------|
| FIND NO | DESCRIPTION | PART NO | DEPT USAGE | FIND NO | DESCRIPTION | PART NO | DEPT USAGE |
| 1 | PC04- READER & PUNCH | D-UA-PC04-0-0 | | 1 | PAPER TAPE READER | A-ML-PC04-0 | |
| 2 | PC04- READER & PUNCH (PL) CHAD BOX TAPE CONTAINER I/O CABLE ASSY PC04-PA PUNCH BRKT RESISTOR SCR MODULE RETAINER HOLD DOWN BAR PACKAGING INSTRUCTIONS PC04 READER & PUNCH PUNCH ASSY (50CY) PUNCH ASSY (50CY) CHAD TUBE PUNCH MTG CHASSIS HINGE BRKT FEED TAPE CHUTE TAPE DEPRESSOR PIN PULLY (80CY) PULLY (50CY) TORSION SPRING | A-PL-PC04-0-0 B-MD-7405300-0-0 D-MD-7407131-0-0 C-IA-7006201-0-0 D-UA-PC04-PA-0 C-MD-7408091-0-0 C-IA-7405642-0-0 C-IA-7408339-7-0 A-PI-3700024-0-0 D-AD-7006248-1-0 D-AD-7006248-2-0 A-PL-7006248-0-0 B-MD-7407388-0-0 D-IA-7407071-0-0 B-MD-7407083-0-0 D-MD-7408098-0-0 D-IA-7408171-0-0 D-SC-1209915-0-0 B-MD-7408172-0-0 B-MD-7408098-1-0 B-MD-7408098-2-0 C-SC-1209924-0-0 | | 4 | PHOTO TRANSISTOR ASSY TEST SCHEMATIC TEST PROCEDURE PHOTO TRANSISTOR BD ASSY | C-IA-7006287-0-0 D-CS-7406267-T-1 A-SP-7406267-T-2 D-IA-5409227-0-0 | |
| 3 | READER ASSY READER ASSY (PL) TAPE PATH GUIDE READER PLATE BLOCK READER SHAFT READER PLATE ARM SPRING SPRING BULB DEPRESSOR TAPE BRKT TAPE HOLD DOWN SLO SYN MOTOR REWORK SHIM LENS | D-AD-7008247-0-0 A-PL-7008247-0-0 D-MD-7407078-0-0 D-MD-7407085-0-0 B-MD-7407118-0-0 B-MD-7407120-0-0 B-MD-7407118-0-0 A-MD-7407118-0-0 C-MD-7407121-0-0 C-MD-7407144-0-0 B-IA-7407684-0-0 B-MD-7407800-0-0 B-MD-7404989-0-0 | | 5 | CHASSIS & POWER SUPPLY ASSY CHASSIS & POWER SUPPLY (PL) PANEL FRONT BRKT MTG BAR RIGHT HAND BRKT MTG BAR LEFT HAND CHASSIS COVER, JONES STRIP HARNES, CONTROL HARNES 1/0 110 VAC HARNES POWER SUPPLY DECAL (PC04) | D-AD-7006248-0-0 A-PL-7006248-0-0 D-IA-7407075-0-0 C-IA-7407085-1-0 C-IA-7407085-2-0 E-IA-7407074-0-0 C-MD-5305644-0-0 D-IA-7006311-0-0 D-IA-7036310-0-0 D-IA-7006309-0-0 A-DC-7407476-0-0 | |
| | | | | 6 | PWR REGULATOR ASSY PWR REGULATOR (PL) HEATSINK, PWR REGULATOR | C-AD-7008012-0-0 A-PL-7006912-0-0 C-MD-7407086-0-0 | |
| | | | | 7 | PWR REGULATOR BOARD ASSY | C-IA-5408918-0-0 | |
| | | | | 8 | ETCH BOARD | D-IA-5008919-0-0 | |
| | | | | 9 | SCR DRIVER ASSY SCR DRIVER CHASSIS | C-AD-5408386-0-0 C-IA-7407070-0-0 | |
| | | | | 10 | TERMINAL BD ASSY | B-IA-5403770-0-0 | |
| | | | | 11 | TERMINAL BOARD | C-IA-5003717-0-0 | |
| | | | | 12 | COVER ASSEMBLY COVER ASSEMBLY COVER ASSEMBLY COVER ASSEMBLY COVER ASSEMBLY (PL) COVER, PC0 (BASIC & COMB.) COVER, PC0 (PUNCH) COVER, PC0 (READER) SHIM, BEZEL BEZEL | D-AD-7008252-1-0 D-AD-7008252-2-0 D-AD-7008252-3-0 D-AD-7008252-4-0 A-PL-7008252-0-0 E-SC-1208386-1-0 E-SC-1208386-3-0 E-SC-1208386-5-0 C-MD-7407840-0-0 E-SC-1209225-0-0 | |
| | | | | 13 | BEZEL SWITCH SILK SCREEN BEZEL SWITCH SILK SCREEN BEZEL SWITCH SILK SCREEN BEZEL SWITCH SILK SCREEN | C-IA-7407134-1-0 A-SS-7407134-1-1 C-IA-7407134-2-0 A-SS-7407134-2-1 C-IA-7407134-3-0 A-SS-7407134-3-1 C-IA-7407134-4-0 A-SS-7407134-4-1 | |
| | | | | 14 | SWITCH ASSY SWITCH ASSY SWITCH ASSY SWITCH ASSY (PL) BAR SPACER SW. BD. | C-AD-5408935-0-0 C-AD-5408310-3-0 C-AD-5408310-4-0 A-PL-5408310-0-0 B-MD-7407175-0-0 | |
| | | | | 15 | PC0 SWITCH BOARD FLIP CHIP MODULE PR SWITCH BOARD | D-AD-5008309-0-0 D-MD-1402230-0-0 D-IA-5008934-0-0 | |
| | | | | 16 | PC04 BUS BAR MTG. BAR (8 IN.) | E-AD-7008288-0-0 B-IA-7407077-0-0 | |
| | | | | 17 | PACKAGING INSTRUCTION OUTER SHIPPING CARTON INNER SHIPPING CARTON BOTTOM PAD FRONT SPACER SIDE SPACER REAR SUPPORT TOP SPACER TORO PAD POLY BAG | A-PI-3700024-0-0 A-PS-9905046-0-0 A-PS-9905047-0-0 A-PS-9905053-0-0 A-PS-9905054-0-0 A-PS-9905055-0-0 A-PS-9905052-0-0 A-PS-9905056-0-0 A-PS-9905044-1-0 A-PS-9905129-7-0 | |
| | | | | 18 | PACKAGING INSTRUCTION TAPELESS CARTON SPECIAL DIE CUT ONE PIECE FOLDER QUAD MODUAL BOOK PACK POLY BAG | A-PI-3700123-0-0 A-PS-9905348-00-0 A-PS-9905348-01-0 A-PS-9905348-02-0 A-PS-9905072-0-0 A-PS-9905129-7-0 | |
| | | | | 19 | POWER AND CONTROL SCHEMATIC DIAGRAM MODULE UTILIZATION MODULE UTILIZATION (PL) ENGINEERING SPECS WIRELIST WIRELIST | D-BS-PC04-0-2 C-MU-PC04-0-3 A-PL-PC04-0-3 A-SP-PC04-0-4 K-WL-PC04-0-5 K-WL-PC04-0-6 K-WL-PC04-0-7 | |
| | | | | 20 | CHASSIS & POWER SUPPLY ASSY POWER REG BD C.S. SCR DRIVER ASSY PRINTED CIRCUIT 823 BUS BAR (PC04) BUS BAR (PC04) ACCESSORY LIST | D-AD-7006246-0-0 B-CS-5408308-0-0 C-AD-5408385-0-0 PC-5403770-0-1 E-AD-7006288-0-0 E-AD-7006268-1-0 A-AL-FC04-0-08 | |

| | | | | |
|--------------------------------------|------------------|---------------|----------|----------|
| FIRST USED ON OPTION/MODEL FC04 | QTY. | DESCRIPTION | PART NO. | ITEM NO. |
| PARTS LIST | | | | |
| UNLESS OTHERWISE SPECIFIED | | | | |
| DIMENSION IN INCHES | | | | |
| TOLERANCES | | | | |
| DECIMALS FRACTIONS ANGLES | | | | |
| ± .008 ± 1/64 ± 0°30' | | | | |
| FINAL SURFACE QUALITY | | | | |
| REMOVE BURRS AND BREAK SHARP CORNERS | | | | |
| MATERIAL | NEXT HIGHER ASSY | | | |
| FINISH | A ML FC04 | | | |
| SCALE | | DIDI PC04-0-1 | | REV |
| SHEET 2 OF 2 | | DIST. C | | J Z |

| | | | |
|-----|----------|-------------|-------------|
| REV | DATE | BY | CHKD |
| 1 | 10/15/77 | J. Williams | J. Williams |
| 2 | 11/15/77 | J. Williams | J. Williams |
| 3 | 12/15/77 | J. Williams | J. Williams |
| 4 | 1/15/78 | J. Williams | J. Williams |
| 5 | 2/15/78 | J. Williams | J. Williams |
| 6 | 3/15/78 | J. Williams | J. Williams |
| 7 | 4/15/78 | J. Williams | J. Williams |
| 8 | 5/15/78 | J. Williams | J. Williams |

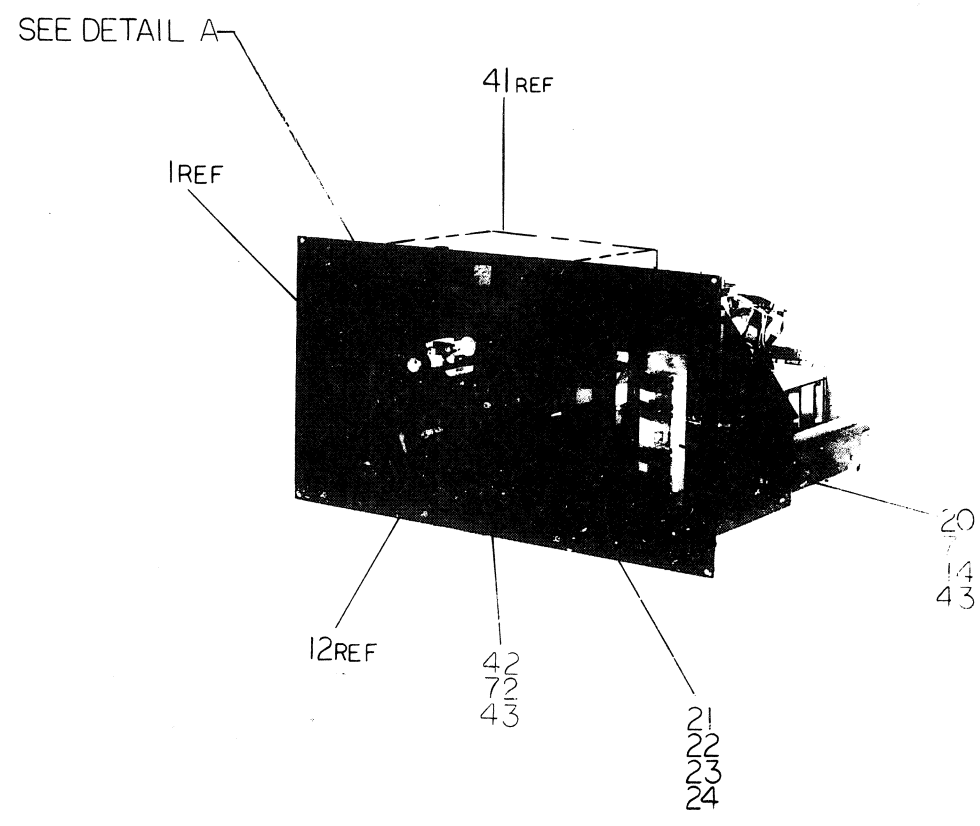
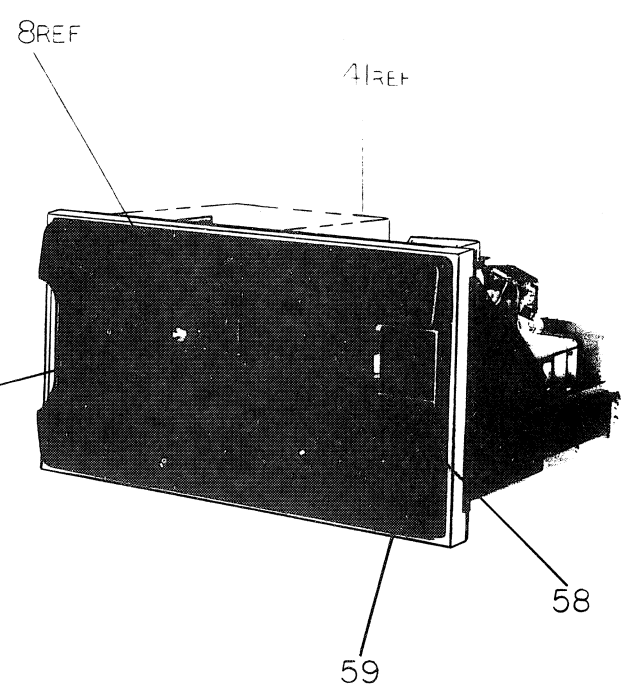
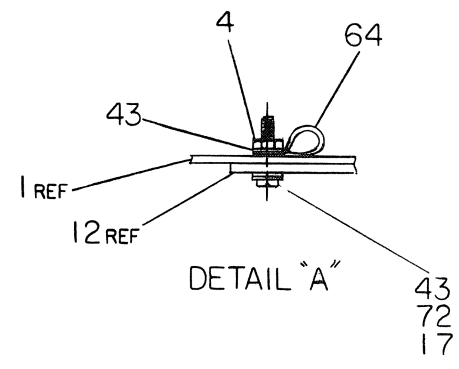
DEC FORM NO. 100

This drawing and specifications, herein, are the property of Digital Equipment Corporation and shall not be reproduced or copied in whole or in part as the basis for the manufacture or sale of items without written permission.

0-0-000/UA PC04-0 2 1

| LEGEND | | |
|-----------------|-----------|---------------------|
| MODEL | VARIATION | |
| | CY | COMPOSITION |
| PC04-B, B&A, BL | 50 | READER & PUNCH |
| PC04-BA, BC, BM | 50 | READER & PUNCH |
| PC04-C, CL | 60 | READER, PUNCH & SCR |
| PC04-CA, CM | 50 | READER, PUNCH & SCR |
| PC04-PA, PL | 60 | PUNCH |
| PC04-PA & PM | 50 | PUNCH |
| PC04-R & RB | 50/60 | READER |

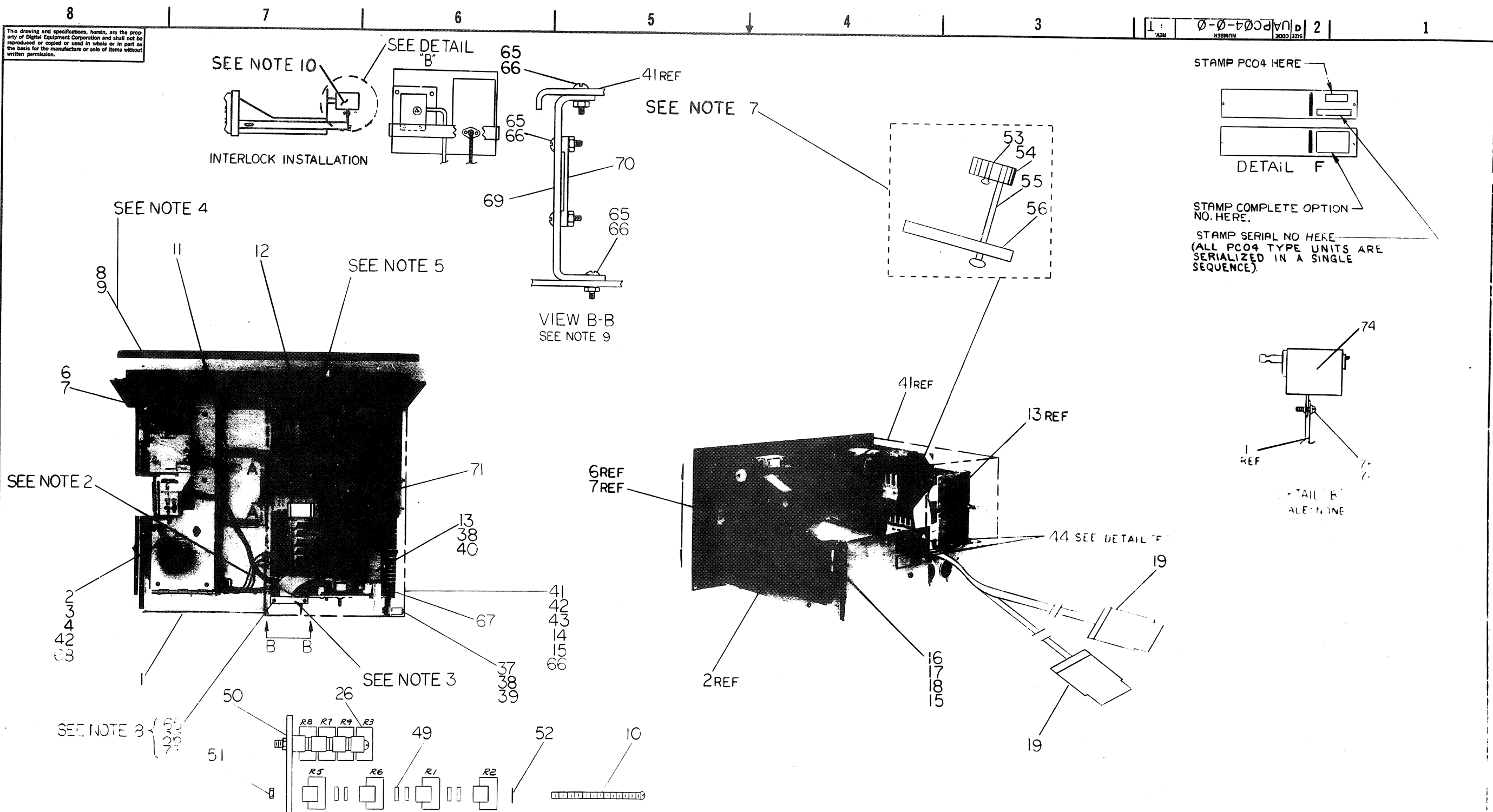
- NOTES:**
1. WIRING OF SWITCHES VARIES DEPENDING ON UNIT MODEL BEING BUILT FOR SWITCH CONFIGURATION, FOR WIRING PURPOSES SEE DETAIL A FOR MODELS B, BA, BC, BL, CM, DETAIL B FOR MODEL PA, DETAIL C FOR MODEL PA & RB AND DETAIL D FOR MODEL "C" AND "CA". 50/60 CY HAS NO EFFECT.
 2. IF THE SCR DRIVER UNIT IS USED THIS WIRE WILL CONNECT TO SCR DRIVER T1, NOT T5-6. FOR CORRECT WIRING WHEN UNIT IS USED, SEE SCR DRIVER WIRE LIST (SHEET 3)
 3. PLACE CABLE IN POSITION. INSTALL CLAMP OVER CABLE.
 4. COVER ASSY TO BE ATTACHED TO CHASSIS ASSY AFTER ALL OTHER INSTALLATIONS ARE COMPLETE. TO DO SO, READER KNOB MUST BE REMOVED, COVER INSTALLED, THEN KNOB REPLACED ON READER SHAFT.
 5. ON MODELS P AND PA THIS WIRE WILL BE TIED BACK AND WHITE SHRINKABLE TUBING (ITEM 43) RECD.
 6. ON ALL MODELS ALL UNUSED WIRES SHOULD BE CONNECTED TO THEIR APPROPRIATE TADS.
 7. MODULE HOLD DOWN BAR TO BE INSTALLED BEFORE SHIPPING MACHINE.
 8. PC04-CA & CL ONLY.
 9. FOR ALL PC04'S EXCEPT CA & CL.
 10. ATTACH POWER INTERLOCK TO REAR OF STATIONARY SECTION OF CHASSIS TRACK. INSERT THE CORD FROM THE POWER INTERLOCK INTO THE JACK ON THE REAR OF THE PC04 (PI). SYSTEM POWER SHALL BE SUPPLIED TO POWER INTERLOCK.



| REV. | CHANGE NO. | DATE | BY | DESCRIPTION |
|------|------------|---------|------------|-------------|
| A | 00006 | 7-1-69 | T. Beckner | Initial |
| B | 00011 | 7-17-69 | T. Beckner | Change |
| C | 00017 | 7-18-69 | T. Beckner | Change |
| D | 00021 | 7-23-69 | T. Beckner | Change |
| E | 00022 | 7-23-69 | T. Beckner | Change |
| F | 00025 | 7-27-69 | T. Beckner | Change |
| G | 00027 | 7-27-69 | T. Beckner | Change |
| H | 00027 | 7-27-69 | T. Beckner | Change |
| I | 00036 | 7-27-69 | T. Beckner | Change |
| J | 00036 | 7-27-69 | T. Beckner | Change |
| K | 00041 | 7-27-69 | T. Beckner | Change |
| L | 00046 | 7-27-69 | T. Beckner | Change |
| M | 00053 | 7-27-69 | T. Beckner | Change |
| N | 00057 | 7-27-69 | T. Beckner | Change |
| O | 00061 | 7-27-69 | T. Beckner | Change |
| P | 00059 | 7-27-69 | T. Beckner | Change |
| Q | 00060 | 7-27-69 | T. Beckner | Change |
| R | 00061 | 7-27-69 | T. Beckner | Change |
| S | 00061 | 7-27-69 | T. Beckner | Change |
| T | 00062 | 7-27-69 | T. Beckner | Change |
| U | 00062 | 7-27-69 | T. Beckner | Change |
| V | 00062 | 7-27-69 | T. Beckner | Change |

| FIRST USED ON OPTION / MODEL | QTY. | DESCRIPTION | PART NO. | ITEM NO. |
|--|------------------|----------------|----------|----------|
| PC04 | | | | |
| UNLESS OTHERWISE SPECIFIED | | | | |
| DIMENSION IN INCHES | | | | |
| DECIMALS ± .005 | FRACTIONS ± 1/64 | ANGLES ± 0°30' | | |
| FINAL SURFACE QUALITY REMOVE BURRS AND BREAK SHARP CORNERS | | | | |
| MATERIAL | | | | |
| FINISH | | | | |
| NEXT HIGHER ASSY | | | | |
| SCALE | | | | |
| SHEET 1 OF 4 | | | | |
| TITLE | | | | |
| PC04 READER AND PUNCH | | | | |
| SIZE CODE | | | | |
| NUMBER | | | | |
| REV. T | | | | |

This drawing and specifications, herein, are the property of Digital Equipment Corporation and shall not be reproduced or copied or used in whole or in part as the basis for the manufacture or sale of items without written permission.

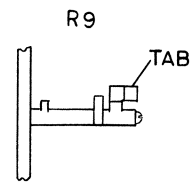
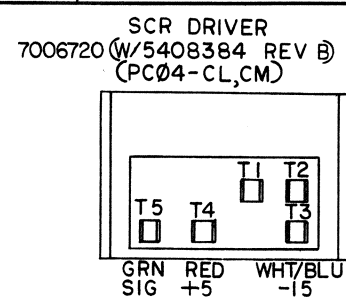
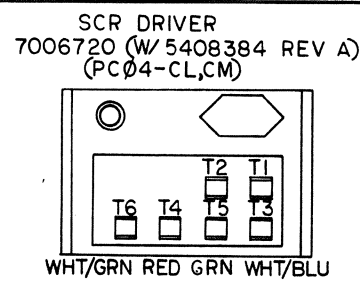
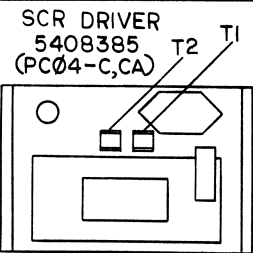
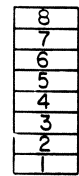


| REV. | CHG. | NO. | DATE |
|------|------|-----|------|
| | | | |

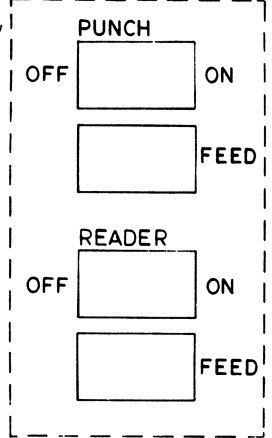
| QTY. | DESCRIPTION | PARTS LIST | PART NO. | ITEM NO. |
|--------------------------------------|-------------|------------|--|----------|
| | PC04 | | | |
| UNLESS OTHERWISE SPECIFIED | | DATE | digital EQUIPMENT CORPORATION MAYNARD MASSACHUSETTS | |
| UNLESS OTHERWISE SPECIFIED | | DATE | TITLE | |
| DIMENSION IN INCHES | | DATE | PC04 | |
| TOLERANCES | | DATE | READER AND PUNCH | |
| DECIMALS | FRACTIONS | ANGLES | NEXT HIGHER ASSY | |
| ± .005 | ± 1/64 | ± 0°30' | A-ML-PC04-0 | |
| FINAL SURFACE QUALITY | | DATE | SCALE NONE | |
| REMOVE BURRS AND BREAK SHARP CORNERS | | DATE | SHEET 2 OF 4 | |
| MATERIAL | | DATE | DIST. ML | |
| FINISH | | DATE | REV. T | |

This drawing and specifications, herein, are the property of Digital Equipment Corporation and shall not be reproduced or copied or used in whole or in part as the basis for the manufacture or sale of items without written permission.

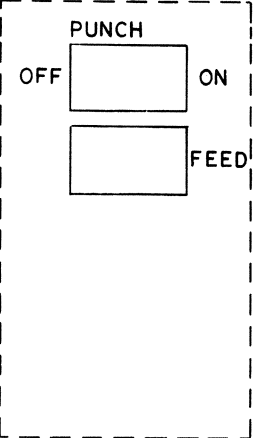
TS
(TOP VIEW)



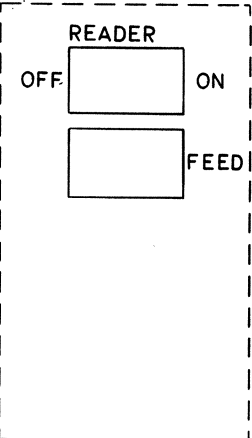
PC04-B,BA,BB,BC,BL,BM
5408310-4
DETAIL "A"



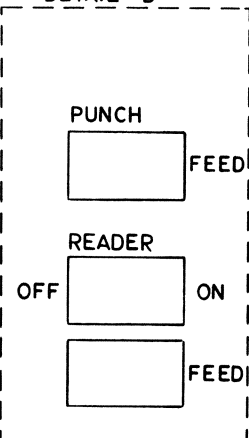
PC04-P,PA,PL,PM
5408935-0
DETAIL "B"



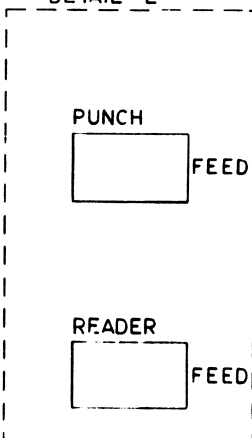
PC04-R,RB,RL
5408935-0
DETAIL "C"



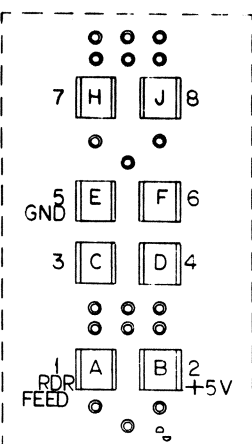
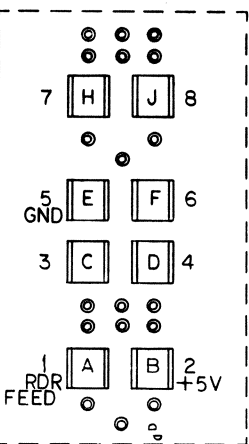
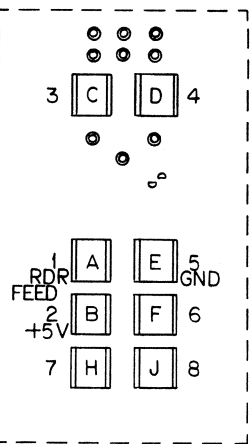
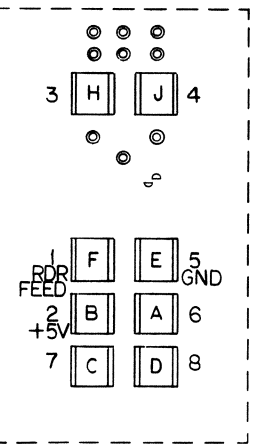
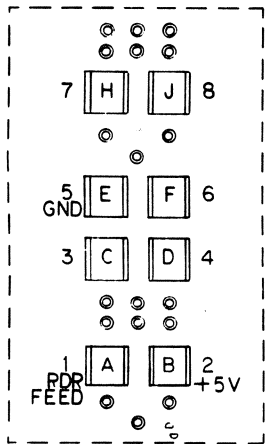
PC04-C,CA
5408310-3
DETAIL "D"



PC04-CL,CM
5408310-5
DETAIL "E"



REAR VIEW



| | |
|------------|-----|
| REVISIONS | REV |
| CHANGE NO. | |
| CHK | |

DEC FORM NO. ORD 100-A

| FIRST USED ON OPTION/MODEL | QTY. | DESCRIPTION | PART NO. | ITEM NO. |
|---|-----------------------|--------------|---|----------|
| PC04 | | PARTS LIST | | |
| UNLESS OTHERWISE SPECIFIED DIMENSION IN INCHES TOLERANCES | DRN. B. HUTNAK | DATE 4-10-69 | | |
| DECIMALS .XXX - .005 | CHK'D R. CARVELLI | DATE 6-5-69 | | |
| ANGLES ±0° 30' | ENG. G. BECKNER | DATE 6-6-69 | | |
| | PROJ. ENG. G. BECKNER | DATE 6-6-69 | | |
| REMOVE BURRS AND BREAK SHARP CORNERS SURFACE QUALITY | PROD. B. ANTONUCCIO | DATE 6-6-69 | TITLE PC04 READER & PUNCH (SW & TERM LOCATIONS.) | |
| MATERIAL | NEXT HIGHER ASSY. | | SIZE CODE | NUMBER |
| FINISH | A-ML-PC04-0 | | DUA | PC04-0-0 |
| | SCALE | | REV. | T |
| | SHEET 3 OF 4 | DIST. | | |

This drawing and specifications, herein, are the property of Digital Equipment Corporation and shall not be reproduced or copied or used in whole or in part as the basis for the manufacture or sale of items without written permission.

8

7

6

5

4

3

REV. 1
PC04-0
SIZE CODE
2

1

CONNECTIONS IF NO SCR DRIVER ASSY

| COLOR/AWG | WIRE | CONNECTION | REMARKS |
|------------------------|-------------|----------------|------------------------------|
| RED #18 | *9 | TS - 6 | |
| BLK & YEL BLK & WHT | PUNCH MOTOR | TS - 6 | IF PUNCH PRESENT |
| RED #18 | *7 | SW BOARD - "H" | SEE DETAIL "A" OR "B" OR "C" |

CONNECTIONS FOR 5408385 SCR DRIVER ASSY

| COLOR/AWG | WIRE | CONNECTION | REMARKS |
|------------------------|-------------|----------------|----------------|
| RED #18 | *9 | SCR - T1 | |
| BLK & YEL BLK & WHT | PUNCH MOTOR | SCR - T2 | |
| RED #18 | *7 | SW BOARD - "J" | SEE DETAIL "D" |
| WHT/BLU #22 | SCR LEAD | A Ø 7B | |
| WHT/GRN #22 | SCR LEAD | B Ø 1B | |

CONNECTIONS FOR 7006520 SCR DRIVER ASSY

| COLOR/AWG | WIRE | CONNECTION | REMARKS |
|------------------------|-------------|----------------|---------------------------|
| RED #18 | *9 | SCR T1 | |
| BLK & YEL BLK & WHT | PUNCH MOTOR | SCR T2 | |
| RED #18 | *7 | SW BOARD - "J" | SEE DETAIL "E" |
| WHT/BLU #22 | SCR LEAD | A Ø 7B | |
| WHT/GRN #22 | SCR LEAD | A Ø 7C | NOT USED ON 5408385 REV B |
| RED #22 | SCR LEAD | A Ø 7A | |
| GRN #22 | SCR LEAD | B Ø 1F | |

PUNCH CONNECTIONS

| COLOR | WIRE | CONNECTION | REMARKS |
|---------|-----------|------------|---------|
| WHT #22 | PUNCH CAP | TS - 7 | |

PLUG PUNCH DATA CABLE (WØ23) INTO SLOT BØ2

CONNECTIONS IF NO READER

| COLOR/AWG | WIRE | CONNECTION | REMARKS |
|-------------|------|------------|---------------------------------|
| GRY/RED #18 | *7 | - | SLEEVE WITH ITEM #45 & TIE BACK |

READER CONNECTIONS

| COLOR/AWG | WIRE | CONNECTION | REMARKS |
|-------------|--------------|----------------------|---------------|
| GRY/RED #18 | *7 | R9 TAB | LAMP RESISTOR |
| WHT/RED | READER MOTOR | TS - 1 | |
| RED | READER MOTOR | TS - 2 | |
| WHT/GRN | READER MOTOR | TS - 3 | |
| GRN | READER MOTOR | TS - 4 | |
| WHT & BLK | READER MOTOR | TS - 5 | |
| BLK #18 | 38 39 | CI - (-) LAMP "B" | |

PLUG READER PHOTOCELL CABLE (WØTT) INTO SLOT BØB

READER WIRING

| ITEM NO | COLOR/AWG | FROM | USING ITEM NO. | TO | USING ITEM NO. |
|---------|-------------|---------|----------------|--------|----------------|
| 29 | WHT/VIO #22 | R1 & R2 | - | TS - 1 | 28 |
| 30 | WHT/YEL #22 | R3 & R4 | - | TS - 2 | 28 |
| 31 | WHT/ORN #22 | R5 & R6 | - | TS - 3 | 28 |
| 32 | WHT/BRN #22 | R7 & R8 | - | TS - 4 | 28 |
| 33 | VIO #22 | R1 | - | BØ6R | - |
| 33 | VIO #22 | R2 | - | BØ6S | - |
| 34 | YEL #22 | R3 | - | BØ5R | - |
| 34 | YEL #22 | R4 | - | BØ5S | - |
| 35 | ORN #22 | R5 | - | BØ4R | - |
| 35 | ORN #22 | R6 | - | BØ4S | - |
| 36 | BRN #22 | R7 | - | BØ3R | - |
| 36 | BRN #22 | R8 | - | BØ3S | - |

SEE VIEW "A-A" ON SHEET 2 FOR IDENTIFICATION OF R1 THRU R8

COMMON CONNECTIONS

| COLOR/AWG | WIRE | CONNECTION | REMARK |
|-------------|------|----------------|--|
| BLK #18 | *27 | GND LUG | LOGIC GND |
| GRY/YEL #18 | *29 | A Ø 8B | -15V |
| BLU #18 | *31 | B Ø 2D | -3ØV |
| BLK #18 | *28 | GND LUG | LOGIC GND |
| GRY/RED #18 | *30 | A Ø 8A | +5V |
| GRN #18 | *32 | B Ø 6V | -18V |
| YEL #22 | *1 | SW BOARD - "A" | SEE DETAILS "A" THRU "E" FOR LOCATION. |
| WHT/BLK #22 | *2 | SW BOARD - "B" | |
| WHT/YEL #22 | *3 | SW BOARD - "C" | |
| BRN #22 | *4 | SW BOARD - "D" | |
| BLK #22 | *5 | SW BOARD - "E" | |
| WHT #22 | *6 | SW BOARD - "F" | |
| RED #18 | *8 | SW BOARD - "J" | |
| YEL #22 | *11 | A Ø 1V | |
| WHT/BLK #22 | *12 | B Ø 7A | +5V |
| WHT/YEL #22 | *13 | A Ø 8F | |
| BLK #22 | *15 | B Ø 8C | |
| WHT #22 | *16 | B Ø 2U | |

CONNECTION ON 7006268-Ø LOGIC BLOCK (PCØ4-B, -BA, -BB, BC, -C, -CA, -P, -PA, -R -RB)

| COLOR/AWG | WIRE | CONNECTION |
|-----------|------|------------|
| BRN #22 | *14 | A Ø 2B |

CONNECTION ON 7006268-1 AND -2 LOGIC BLOCK (PCØ4-BL, -BM, -CL, -CM, -PL, -PM, -RL)

| COLOR/AWG | WIRE | CONNECTION |
|-----------|------|------------|
| BRN #22 | *14 | A Ø 1B |

NOTE: SEE SHEET 3 FOR TERMINAL IDENTIFICATION DIAGRAMS.

| | | | | |
|---|-------------------------|--------------|--|----------|
| FIRST USED ON OPTION/MODEL PCØ4-Ø | QTY. | DESCRIPTION | PART NO. | ITEM NO. |
| PARTS LIST | | | | |
| UNLESS OTHERWISE SPECIFIED DIMENSION IN INCHES TOLERANCES | DRN. B. HUTN+K | DATE 4-10-69 | digital EQUIPMENT CORPORATION MAYNARD MASSACHUSETTS | |
| DECIMALS .005 XX .02 X .1 | CHK'D R. CARVELLI | DATE 6-5-69 | TITLE PCØ4 READER & PUNCH (WIRING) | |
| ANGLES ±0°30' | ENG. GEO. BECKNER | DATE 6-6-69 | SIZE CODE A-ML-PCØ4 | |
| REMOVE BURRS AND BREAK SHARP CORNERS SURFACE QUALITY ✓ | PROJ. ENG. GEO. BECKNER | DATE 6-6-69 | NUMBER DUA PCØ4-Ø-Ø | |
| MATERIAL | PROD. B. ANTONUCCIO | DATE 6-6-69 | REV. 7 | |
| FINISH | NEXT HIGHER ASSY. | SCALE | SHEET 4 OF 4 | |

REVISIONS
CHANGE NO.
CHK

DEC FORM NO DRJ 100-A

8

7

6

5

4

3

2

1

| ITEM NO. | DWG. NO. / PART NO. | DESCRIPTION | QUANTITY/VARIATION | | | | | | | | | | | | |
|----------|----------------------|--|--------------------|--------------|--------------|--------------|--------------|--------------|--------------|--------------|--------------|--------------|--------------|--------------|--------------|
| | | | PC04-B-EB | PC04-BA-BC | PC04-BL | PC04-BN | PC04-C | PC04-CA | PC04-CL | PC04-CH | PC04-P | PC04-PA | PC04-PL | PC04-PM | PC04-R-EB |
| 1 | D-AD-7006246-0-0 | CHASSIS AND POWER SUPPLY ASSY | 1 | 1 | 1 | 1 | 1 | 1 | 1 | 1 | 1 | 1 | 1 | 1 | 1 |
| 2 | D-AD-7006248-1-0 | PUNCH ASSY (60 HZ) | 1 | 1 | 1 | 1 | 1 | 1 | 1 | 1 | 1 | 1 | 1 | 1 | 1 |
| 2 | D-AD-7006248-2-0 | PUNCH ASSY (50 HZ) | 1 | 1 | 1 | 1 | 1 | 1 | 1 | 1 | 1 | 1 | 1 | 1 | 1 |
| 3 | 9006021-1 | SCR. PHL PAN HD 6-32 X 5/16 LG SST | 6 | 6 | 6 | 6 | 6 | 6 | 6 | 6 | 6 | 6 | 6 | 6 | 6 |
| 4 | 9006560 | NUT. KEPS 6-32 X 5/16 X 5/32 | 3 | 3 | 3 | 3 | 3 | 3 | 3 | 3 | 3 | 3 | 3 | 3 | 3 |
| 5 | 9006070-1 | SCR. PHL PAN HD 10-32 X 5/16 LG SST | 2 | 2 | 2 | 2 | 2 | 2 | 2 | 2 | 2 | 2 | 2 | 2 | 2 |
| 6 | 1100106 | THYRISTOR GRS20SP4B4 | 1 | 1 | 1 | 1 | 1 | 1 | 1 | 1 | 1 | 1 | 1 | 1 | 1 |
| 7 | 9107278-3 | 18 AWG TEF TUBING RED | A/RB/RA/RA/R | A/RB/RA/RA/R | A/RB/RA/RA/R | A/RB/RA/RA/R | A/RB/RA/RA/R | A/RB/RA/RA/R | A/RB/RA/RA/R | A/RB/RA/RA/R | A/RB/RA/RA/R | A/RB/RA/RA/R | A/RB/RA/RA/R | A/RB/RA/RA/R | A/RB/RA/RA/R |
| 8 | D-AD-7006252-1-0 | COVER ASSY (PUNCH & READER) | 1 | 1 | 1 | 1 | 1 | 1 | 1 | 1 | 1 | 1 | 1 | 1 | 1 |
| 8 | D-AD-7006252-2-0 | COVER ASSY (PUNCH) | 1 | 1 | 1 | 1 | 1 | 1 | 1 | 1 | 1 | 1 | 1 | 1 | 1 |
| 8 | D-AD-7006252-3-0 | COVER ASSY (READER) | 1 | 1 | 1 | 1 | 1 | 1 | 1 | 1 | 1 | 1 | 1 | 1 | 1 |
| 8 | D-AD-7006252-4-0 | COVER ASSY (PUNCH, READER & SCR) | 1 | 1 | 1 | 1 | 1 | 1 | 1 | 1 | 1 | 1 | 1 | 1 | 1 |
| 8 | D-AD-7006252-6-0 | COVER ASSY (READER, PUNCH & SCR) | 1 | 1 | 1 | 1 | 1 | 1 | 1 | 1 | 1 | 1 | 1 | 1 | 1 |
| 9 | 9006042-2 | SCR. PHL FLAT HD 8-32 X 1 LG SST | 4 | 4 | 4 | 4 | 4 | 4 | 4 | 4 | 4 | 4 | 4 | 4 | 4 |
| 10 | 9006083-1 | SCR. PHL PAN HD 10-32 X 2 1/2 LG SST | 4 | 4 | 4 | 4 | 4 | 4 | 4 | 4 | 4 | 4 | 4 | 4 | 4 |
| 11 | C-MD-745300-0-0 | CHAD BOX | 1 | 1 | 1 | 1 | 1 | 1 | 1 | 1 | 1 | 1 | 1 | 1 | 1 |
| 12 | D-AD-7006247-0-0 | READER ASSY | 1 | 1 | 1 | 1 | 1 | 1 | 1 | 1 | 1 | 1 | 1 | 1 | 1 |
| 13 | E-AD-7006268-0-0 | WIRED ASSY, PC04 | 1 | 1 | 1 | 1 | 1 | 1 | 1 | 1 | 1 | 1 | 1 | 1 | 1 |
| 13 | E-AD-7006268-1-0 | WIRED ASSY, PC04 | 1 | 1 | 1 | 1 | 1 | 1 | 1 | 1 | 1 | 1 | 1 | 1 | 1 |
| 13 | E-AD-7006268-2-0 | WIRED ASSY, PC04 | 1 | 1 | 1 | 1 | 1 | 1 | 1 | 1 | 1 | 1 | 1 | 1 | 1 |
| 14 | 9006022-1 | SCR. PHL PAN HD 6-32 X 3/8 LG SST | 3 | 3 | 3 | 3 | 3 | 3 | 3 | 3 | 3 | 3 | 3 | 3 | 3 |
| 15 | 9006633 | WASHER, INT TOOTH #6 | 2 | 2 | 2 | 2 | 2 | 2 | 2 | 2 | 2 | 2 | 2 | 2 | 2 |
| 16 | C-AD-5408385-0-0 | SCR DRIVER ASSY | 1 | 1 | 1 | 1 | 1 | 1 | 1 | 1 | 1 | 1 | 1 | 1 | 1 |
| 16 | C-AD-7006520-0-0 | SCR DRIVER ASSY | 1 | 1 | 1 | 1 | 1 | 1 | 1 | 1 | 1 | 1 | 1 | 1 | 1 |
| 17 | 9006026-1 | SCR. PHL PAN HD 6-32 X 3/4 LG SST | 1 | 1 | 1 | 1 | 1 | 1 | 1 | 1 | 1 | 1 | 1 | 1 | 1 |
| 18 | 9006801 | HEX SPACER, 1/4" X 3/8 LG #6 HOLE | 2 | 2 | 2 | 2 | 2 | 2 | 2 | 2 | 2 | 2 | 2 | 2 | 2 |
| 19 | C-IA-7006281-0-0 | I/O CABLE, PC04 (W033 TO W077) | 2 | 2 | 2 | 2 | 2 | 2 | 2 | 2 | 2 | 2 | 2 | 2 | 2 |
| 19 | D-IA-7407067-1-0 | CABLE CONNECTOR M926 TO W033 S | 1 | 1 | 1 | 1 | 1 | 1 | 1 | 1 | 1 | 1 | 1 | 1 | 1 |
| 19 | D-IA-7006145-1-0 | CABLE CONN (PUNCH) M926 TO W033 | 1 | 1 | 1 | 1 | 1 | 1 | 1 | 1 | 1 | 1 | 1 | 1 | 1 |
| 19 | D-IA-7407067-3-0 | CABLE CONNECTOR M926 TO W033 S | 1 | 1 | 1 | 1 | 1 | 1 | 1 | 1 | 1 | 1 | 1 | 1 | 1 |
| 20 | C-AD-5408310-4-0 | SWITCH ASSY | 1 | 1 | 1 | 1 | 1 | 1 | 1 | 1 | 1 | 1 | 1 | 1 | 1 |
| 20 | C-AD-5408935-0-0 | SWITCH ASSY | 1 | 1 | 1 | 1 | 1 | 1 | 1 | 1 | 1 | 1 | 1 | 1 | 1 |
| 20 | C-AD-5408310-3-0 | SWITCH ASSY | 1 | 1 | 1 | 1 | 1 | 1 | 1 | 1 | 1 | 1 | 1 | 1 | 1 |
| 20 | C-AD-5408310-5-0 | SWITCH ASSY | 1 | 1 | 1 | 1 | 1 | 1 | 1 | 1 | 1 | 1 | 1 | 1 | 1 |
| 21 | D-MD-7407131-0-0 | TAPE CONTAINER | 1 | 1 | 1 | 1 | 1 | 1 | 1 | 1 | 1 | 1 | 1 | 1 | 1 |
| 22 | 9006011-2 | SCR. PHL FLAT HD 4-40 X 3/8 LG SST | 2 | 2 | 2 | 2 | 2 | 2 | 2 | 2 | 2 | 2 | 2 | 2 | 2 |
| 23 | 9006556 | NUT. HEX 4-40 X 1/2 X 1/16 SST | 2 | 2 | 2 | 2 | 2 | 2 | 2 | 2 | 2 | 2 | 2 | 2 | 2 |
| 24 | 9006632 | WASHER, INT TOOTH #4 | 2 | 2 | 2 | 2 | 2 | 2 | 2 | 2 | 2 | 2 | 2 | 2 | 2 |
| 25 | 9006635 | WASHER, INT TOOTH #10 | 2 | 2 | 2 | 2 | 2 | 2 | 2 | 2 | 2 | 2 | 2 | 2 | 2 |
| 26 | 1309896 | RES, 25 OHM ±5% 40 W | 8 | 8 | 8 | 8 | 8 | 8 | 8 | 8 | 8 | 8 | 8 | 8 | 8 |
| 27 | 9107360-10 | 10 AWG BRD TEFON WHT | A/RB/RA/RA/R | A/RB/RA/RA/R | A/RB/RA/RA/R | A/RB/RA/RA/R | A/RB/RA/RA/R | A/RB/RA/RA/R | A/RB/RA/RA/R | A/RB/RA/RA/R | A/RB/RA/RA/R | A/RB/RA/RA/R | A/RB/RA/RA/R | A/RB/RA/RA/R | A/RB/RA/RA/R |
| 28 | 9007917 | SOLDERLESS CONN 18-22 AWG .250 TAB | 4 | 4 | 4 | 4 | 4 | 4 | 4 | 4 | 4 | 4 | 4 | 4 | 4 |
| 29 | 9107400-97 | WIRE, 22 AWG STRD TEFON WHT/VIO TRACER | A/RB/RA/RA/R | A/RB/RA/RA/R | A/RB/RA/RA/R | A/RB/RA/RA/R | A/RB/RA/RA/R | A/RB/RA/RA/R | A/RB/RA/RA/R | A/RB/RA/RA/R | A/RB/RA/RA/R | A/RB/RA/RA/R | A/RB/RA/RA/R | A/RB/RA/RA/R | A/RB/RA/RA/R |

| | | |
|--------|------------------|------------|
| REV. M | CHANGE NO. 00053 | PC04-00053 |
| REV. N | REVISED REDRAWN | PC04-00057 |
| REV. O | REVISED REDRAWN | PC04-00061 |
| REV. P | REVISED REDRAWN | PC04-00062 |
| REV. Q | REVISED REDRAWN | PC04-00063 |
| REV. R | REVISED REDRAWN | PC04-00064 |
| REV. S | REVISED REDRAWN | PC04-00065 |
| REV. T | REVISED REDRAWN | PC04-00066 |
| REV. U | REVISED REDRAWN | PC04-00067 |
| REV. V | REVISED REDRAWN | PC04-00068 |
| REV. W | REVISED REDRAWN | PC04-00069 |
| REV. X | REVISED REDRAWN | PC04-00070 |
| REV. Y | REVISED REDRAWN | PC04-00071 |
| REV. Z | REVISED REDRAWN | PC04-00072 |

PC04 (ALL)

| | | |
|--|-------------------------|--------------|
| UNLESS OTHERWISE SPECIFIED | DRN. R. HUTNAK | DATE 4-10-69 |
| UNLESS OTHERWISE SPECIFIED | CHK'D. R. CARVELLI | DATE 6-5-69 |
| DIMENSION IN INCHES | ENG. GEO. BECKNER | DATE 6-6-69 |
| TOLERANCES | PROJ. ENG. GEO. BECKNER | DATE 6-6-69 |
| DECIMALS ± .005 | PROD. R. ANTONUCCIO | DATE 6-6-69 |
| FRACTIONS ± 1/64 | | |
| ANGLES ± 0°30' | | |
| FINAL SURFACE QUALITY REMOVE BURRS AND BREAK SHARP CORNERS | | |
| MATERIAL | NEXT HIGHER ASSY. | |
| FINISH | D-UA-FC04-0-0 | |

digital EQUIPMENT CORPORATION
MAYNARD, MASSACHUSETTS

TITLE
PC04 READER AND PUNCH

SIZE CODE: C
NUMBER: PL PC04-0-0
REV. T

SHEET 1 OF 3

| ITEM NO. | DWG. NO./PART NO. | DESCRIPTION | PCØ4 | | | | | | | | | | | | | | | |
|----------|-------------------|---------------------------------|------|----|----|----|----|----|----|----|----|----|----|----|----|----|----|----|
| | | | B | BB | BA | BC | BL | BM | C | CA | CL | CM | P | PA | PL | PM | R | RB |
| 68 | 9007622 | GROMMET, CATAPILLAR (3 1/2 IN.) | - | - | - | - | - | 1 | 1 | - | - | - | - | - | - | - | - | - |
| 69 | B-MD-7408955-0-0 | BRACKET | 1 | 1 | 1 | 1 | 1 | 1 | 1 | 1 | 1 | 1 | 1 | 1 | 1 | 1 | 1 | 1 |
| 70 | B-MD-7408956-0-0 | CLAMP | 1 | 1 | 1 | 1 | 1 | 1 | 1 | 1 | 1 | 1 | 1 | 1 | 1 | 1 | 1 | 1 |
| 71 | 9008340 | CLIP, PVC, HARNESS | 1 | 1 | 1 | 1 | 1 | 1 | 1 | 1 | 1 | 1 | 1 | 1 | 1 | 1 | 1 | 1 |
| 72 | 9007649 | WASHER, EXT. TOOTH #6 | 14 | 14 | 14 | 14 | 14 | 14 | 14 | 14 | 14 | 14 | 14 | 14 | 14 | 12 | 12 | 12 |
| 73 | 1202704 | CLAMP, CABLE, WHITE | - | - | - | - | - | 1 | 1 | - | - | - | - | - | - | - | - | - |
| 74 | D-AD-7015804-Ø-Ø | PCØ INTERLOCK ASSY AC | 1 | 1 | 1 | 1 | 1 | 1 | 1 | 1 | 1 | 1 | 1 | 1 | 1 | 1 | 1 | 1 |
| 75 | 9006037-1 | SCREW, #8-32 x 3/8 LONG | 2 | 2 | 2 | 2 | 2 | 2 | 2 | 2 | 2 | 2 | 2 | 2 | 2 | 2 | 2 | 2 |
| 76 | 9006634 | WASHER, INT. LOCK #8 | 2 | 2 | 2 | 2 | 2 | 2 | 2 | 2 | 2 | 2 | 2 | 2 | 2 | 2 | 2 | 2 |

| | |
|------------|--|
| REV. | |
| CHANGE NO. | |
| CHK | |

| | | | |
|-----------------------|---------|---------------|----------|
| DRN. R. Hutnak | 4-10-69 | FIRST USED ON | digital |
| CHK'D P. Carvell | 6/5/69 | PCØ4 (ALL) | |
| ENG. G. Beckner | 6/6/69 | TITLE | |
| PROJ. ENG. G. Beckner | 6/6/69 | PCØ4 READER | |
| PROD. Antonuccio | 6/6/69 | AND PUNCH | |
| NEXT HIGHER ASSY. | | | |
| D-UA-PCØ4-Ø-Ø | | | |
| SCALE | + | SIZE | C |
| | | CODE | PL |
| | | NUMBER | PCØ4-Ø-Ø |
| SHEET | 3 OF 3 | DIST. | |

D

C

B

A

C

C

T

C

B

A

NUMBER
PCØ4-Ø-Ø

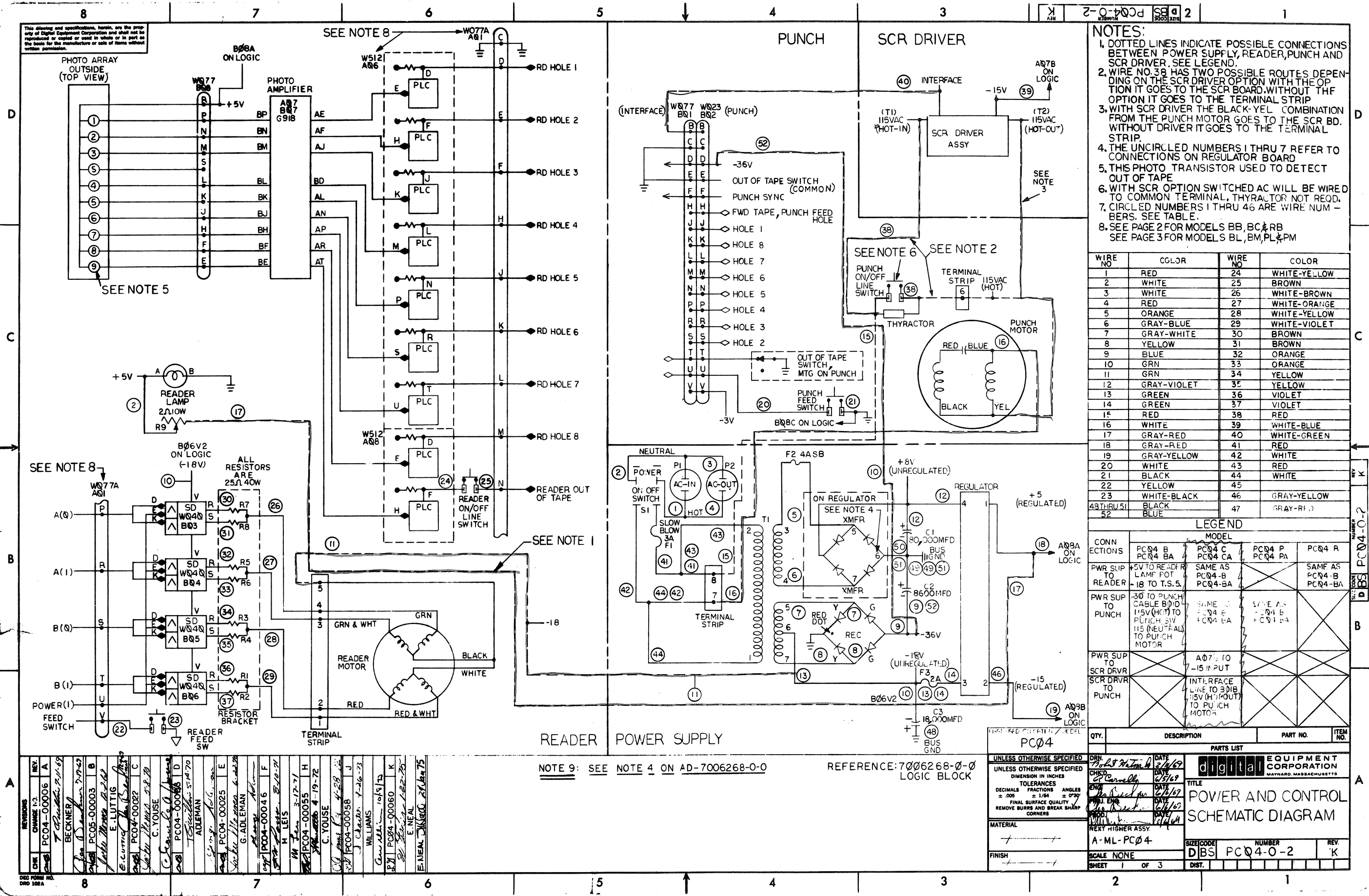
SIZE CODE
C PL

B

REV.
T

A

This drawing and specifications, herein, are the property of Digital Equipment Corporation and shall not be reproduced or copied in whole or in part as the basis for the manufacture or sale of items without written permission.



- NOTES:**
1. DOTTED LINES INDICATE POSSIBLE CONNECTIONS BETWEEN POWER SUPPLY, READER, PUNCH AND SCR DRIVER. SEE LEGEND.
 2. WIRE NO. 38 HAS TWO POSSIBLE ROUTES DEPENDING ON THE SCR DRIVER OPTION WITH THE OPTION IT GOES TO THE TERMINAL STRIP. WITHOUT THE OPTION IT GOES TO THE TERMINAL STRIP.
 3. WITH SCR DRIVER THE BLACK-YEL COMBINATION FROM THE PUNCH MOTOR GOES TO THE SCR BD. WITHOUT DRIVER IT GOES TO THE TERMINAL STRIP.
 4. THE UNCIRCLED NUMBERS 1 THRU 7 REFER TO CONNECTIONS ON REGULATOR BOARD.
 5. THIS PHOTO TRANSISTOR USED TO DETECT OUT OF TAPE.
 6. WITH SCR OPTION SWITCHED AC WILL BE WIRED TO COMMON TERMINAL. THYRACITOR NOT REQD.
 7. CIRCLED NUMBERS 1 THRU 46 ARE WIRE NUMBERS. SEE TABLE.
 8. SEE PAGE 2 FOR MODELS BB, BC & RB. SEE PAGE 3 FOR MODELS BL, BM, PL & PM.

| WIRE NO | COLOR | WIRE NO | COLOR |
|------------|-------------|---------|--------------|
| 1 | RED | 24 | WHITE-YELLOW |
| 2 | WHITE | 25 | BROWN |
| 3 | WHITE | 26 | WHITE-BROWN |
| 4 | RED | 27 | WHITE-ORANGE |
| 5 | ORANGE | 28 | WHITE-YELLOW |
| 6 | GRAY-BLUE | 29 | WHITE-VIOLET |
| 7 | GRAY-WHITE | 30 | BROWN |
| 8 | YELLOW | 31 | BROWN |
| 9 | BLUE | 32 | ORANGE |
| 10 | GRN | 33 | ORANGE |
| 11 | GRN | 34 | YELLOW |
| 12 | GRAY-VIOLET | 35 | YELLOW |
| 13 | GREEN | 36 | VIOLET |
| 14 | GREEN | 37 | VIOLET |
| 15 | RED | 38 | RED |
| 16 | WHITE | 39 | WHITE-BLUE |
| 17 | GRAY-RED | 40 | WHITE-GREEN |
| 18 | GRAY-RED | 41 | RED |
| 19 | GRAY-YELLOW | 42 | WHITE |
| 20 | WHITE | 43 | RED |
| 21 | BLACK | 44 | WHITE |
| 22 | YELLOW | 45 | WHITE |
| 23 | WHITE-BLACK | 46 | GRAY-YELLOW |
| 43 THRU 51 | BLACK | 47 | GRAY-RED |
| 52 | BLUE | | |

LEGEND

| CONNECTIONS | MODEL | | | |
|---------------------|--|---------------------------|-------------------|---------------------------|
| | PCQ4 B PCQ4 BA | PCQ4 C PCQ4 CA | PCQ4 P PCQ4 PA | PCQ4 R |
| PWR SUP TO READER | +5V TO READER LAMP POT -18 TO T.S.S. | SAME AS PCQ4-B PCQ4-BA | | SAME AS PCQ4-B PCQ4-BA |
| PWR SUP TO PUNCH | -30 TO PUNCH CABLE B'D TO 115V (HOT) TO PUNCH SW 115 (NEUTRAL) TO PUNCH MOTOR | SAME AS PCQ4-E PCQ4-EA | | |
| PWR SUP TO SCR DRVR | | | | |
| SCR DRVR TO PUNCH | | | | |

| QTY. | DESCRIPTION | PART NO. | ITEM NO. |
|------|-------------|----------|----------|
| | | | |

REVISIONS

| CHK | CHANGE NO. | REV. | DATE | BY | DESCRIPTION |
|------|------------|------|------|----|-------------|
| PCQ4 | 00006 | A | | | |
| PCQ4 | 00003 | B | | | |
| PCQ4 | 00002 | C | | | |
| PCQ4 | 00004 | D | | | |
| PCQ4 | 00005 | E | | | |
| PCQ4 | 00006 | F | | | |
| PCQ4 | 00007 | G | | | |
| PCQ4 | 00008 | H | | | |
| PCQ4 | 00009 | I | | | |
| PCQ4 | 00010 | J | | | |
| PCQ4 | 00011 | K | | | |
| PCQ4 | 00012 | L | | | |
| PCQ4 | 00013 | M | | | |
| PCQ4 | 00014 | N | | | |
| PCQ4 | 00015 | O | | | |
| PCQ4 | 00016 | P | | | |
| PCQ4 | 00017 | Q | | | |
| PCQ4 | 00018 | R | | | |
| PCQ4 | 00019 | S | | | |
| PCQ4 | 00020 | T | | | |
| PCQ4 | 00021 | U | | | |
| PCQ4 | 00022 | V | | | |
| PCQ4 | 00023 | W | | | |
| PCQ4 | 00024 | X | | | |
| PCQ4 | 00025 | Y | | | |
| PCQ4 | 00026 | Z | | | |

NOTE 9: SEE NOTE 4 ON AD-7006268-0-0 REFERENCE: 7006268-0-0 LOGIC BLOCK

PCQ4

UNLESS OTHERWISE SPECIFIED DIMENSION IN INCHES TOLERANCES DECIMALS FRACTIONS ANGLES ± .005 ± 1/64 ± 0°30' FINAL SURFACE QUALITY REMOVE BURRS AND BREAK SHARP CORNERS

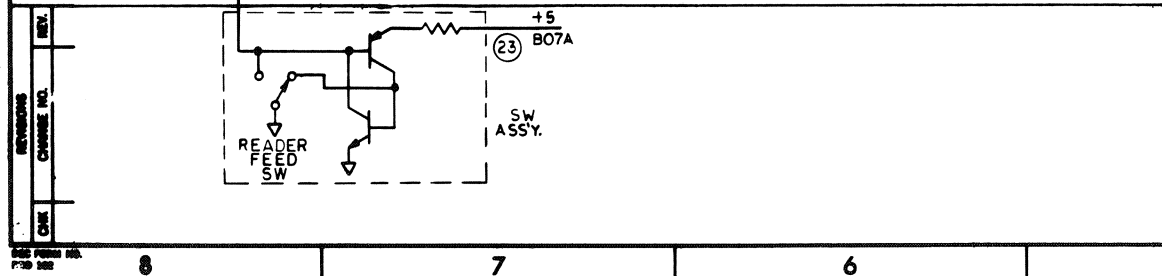
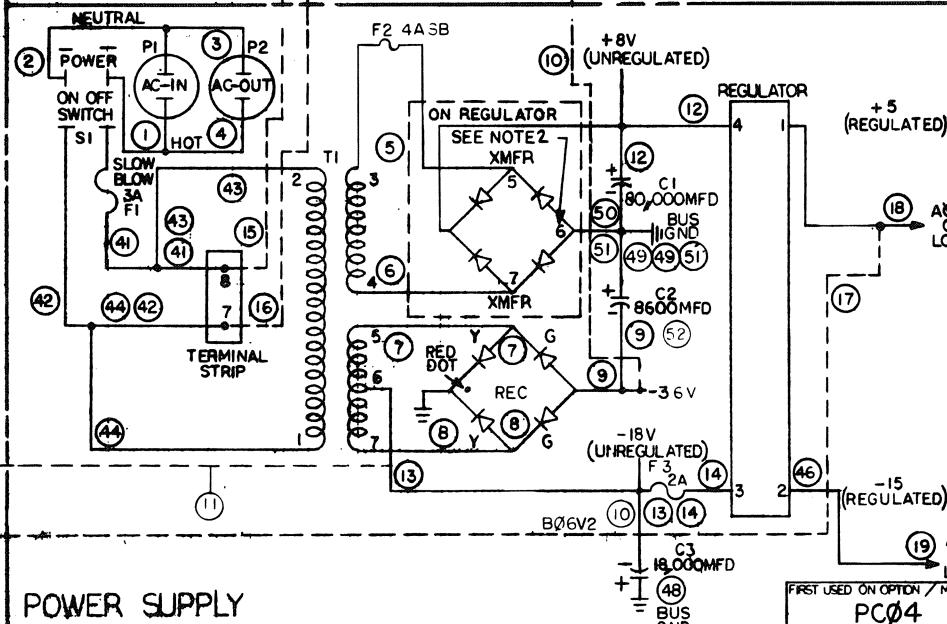
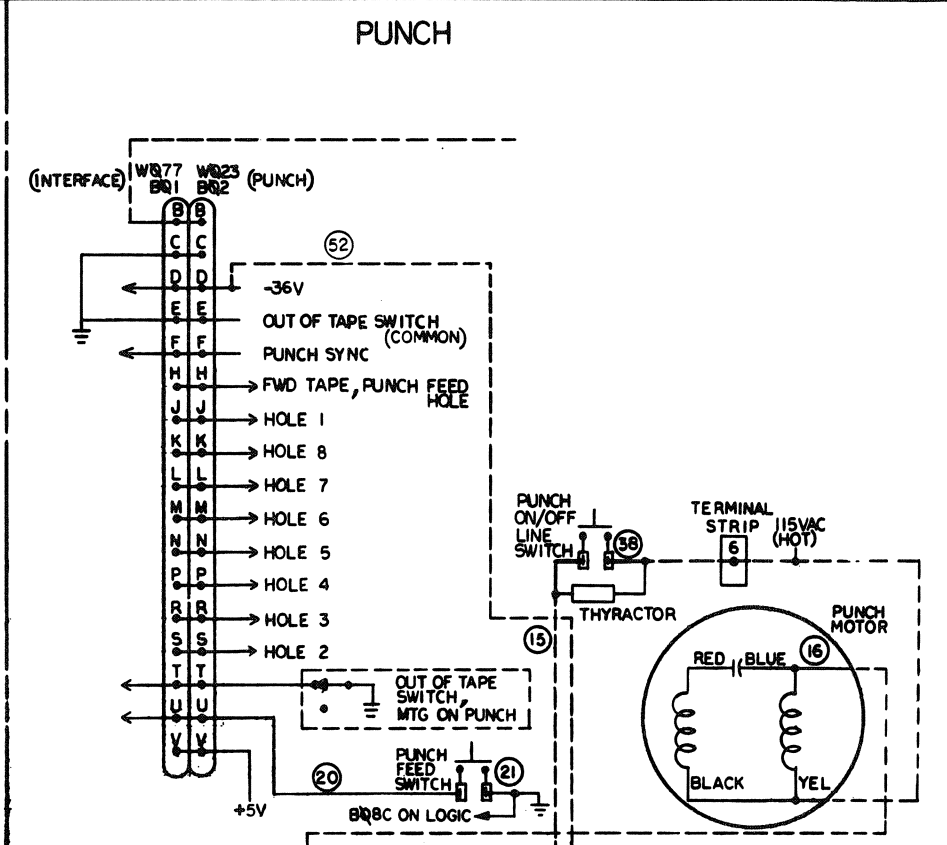
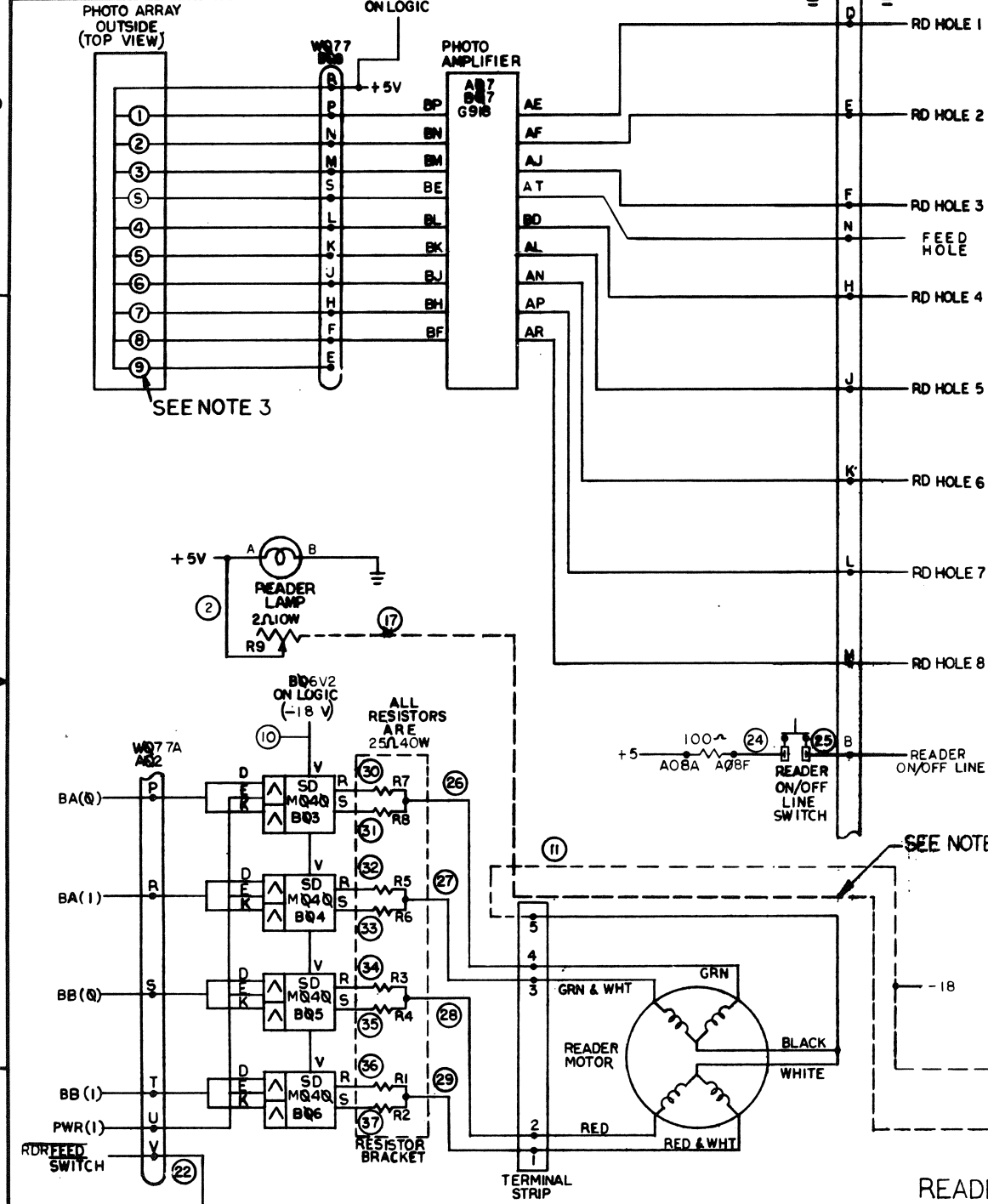
DATE: 6/16/69
 CHK: P. Connelly
 ENG: P. Connelly
 DSG: P. Connelly
 DATE: 6/16/69

digital EQUIPMENT CORPORATION
 MAYNARD, MASSACHUSETTS

POWER AND CONTROL SCHEMATIC DIAGRAM

SCALE: NONE
 SHEET: 1 OF 3
 DIST.:

This drawing and specifications herein are the property of Digital Equipment Corporation and shall not be reproduced or copied or used in whole or in part as the basis for the manufacture or sale of items without written permission.



NOTES:
 1. DOTTED LINES INDICATE POSSIBLE CONNECTIONS BETWEEN POWER SUPPLY, READER AND PUNCH.
 2. THE UNCIRCLED NUMBERS 1 THRU 7 REFER TO CONNECTIONS ON REGULATOR BOARD.
 3. THIS PHOTO TRANSISTOR IS NOT USED.
 4. CIRCLED NUMBERS 1 THRU 46 ARE WIRE NUMBERS. SEE TABLE.

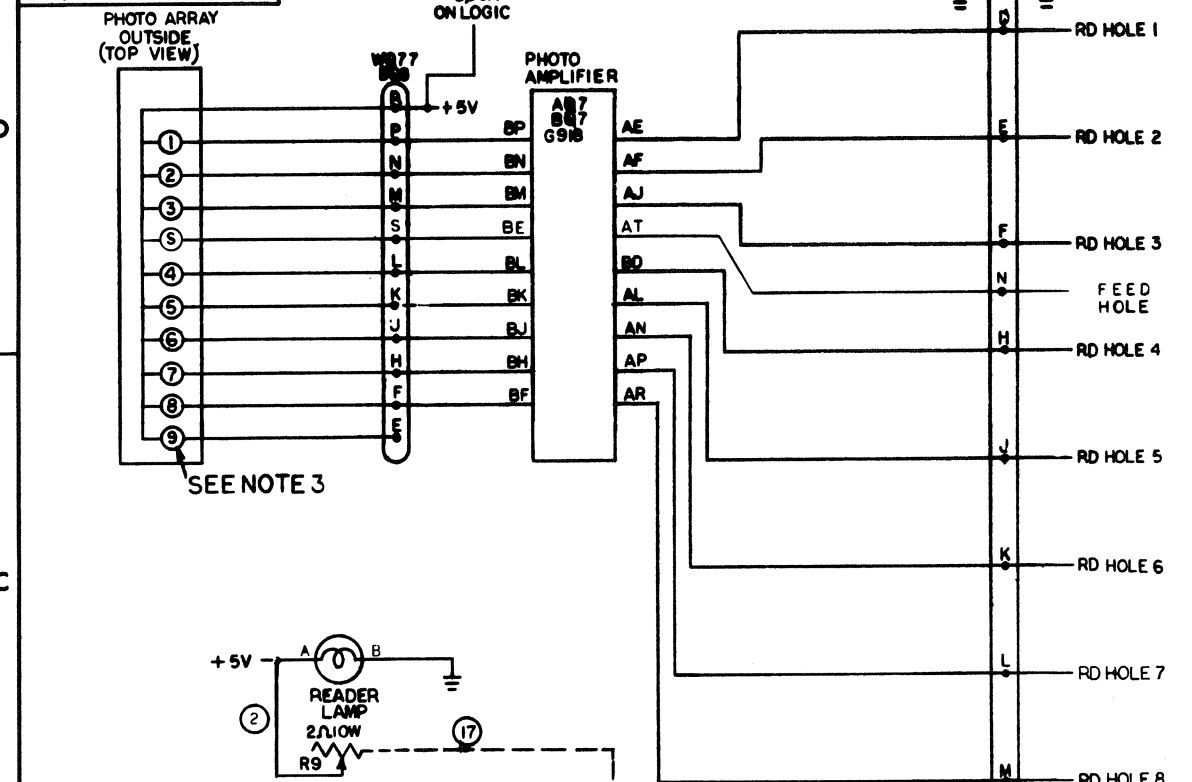
| WIRE TABLE | | | |
|------------|-------------|---------|--------------|
| WIRE NO | COLOR | WIRE NO | COLOR |
| 1 | RED | 24 | WHITE-YELLOW |
| 2 | WHITE | 25 | BROWN |
| 3 | WHITE | 26 | WHITE-BROWN |
| 4 | RED | 27 | WHITE-ORANGE |
| 5 | ORANGE | 28 | WHITE-YELLOW |
| 6 | GRAY-BLUE | 29 | WHITE-VIOLET |
| 7 | GRAY-WHITE | 30 | BROWN |
| 8 | YELLOW | 31 | BROWN |
| 9 | BLUE | 32 | ORANGE |
| 10 | GRN | 33 | ORANGE |
| 11 | GRN | 34 | YELLOW |
| 12 | GRAY-VIOLET | 35 | YELLOW |
| 13 | GREEN | 36 | VIOLET |
| 14 | GREEN | 37 | VIOLET |
| 15 | RED | 38 | RED |
| 16 | WHITE | | |
| 17 | GRAY-RED | | |
| 18 | GRAY-RED | 41 | RED |
| 19 | GRAY-YELLOW | 42 | WHITE |
| 20 | WHITE | 43 | RED |
| 21 | BLACK | 44 | WHITE |
| 22 | YELLOW | | |
| 23 | WHITE-BLACK | 46 | GRAY-YELLOW |
| 48 | BLK | | |
| 52 | BLU | 47 | GRAY-RED |

| LEGEND | | | |
|-------------------|--|-------------------------------|---------------------------|
| CONN ECTIONS | MODEL | PCB4 P | PCB4 R8 |
| PWR SUP TO READER | PCB4 BB PCB4 BC | PCB4 PA | SAME AS PCB4-B PCB4-BC |
| PWR SUP TO PUNCH | 30 TO PUNCH CABLE B01D 115V (HOT) TO PUNCH SW 115 (NEUTRAL) TO PUNCH MOTOR | SAME AS PCB4 BB PCB4 Br | |

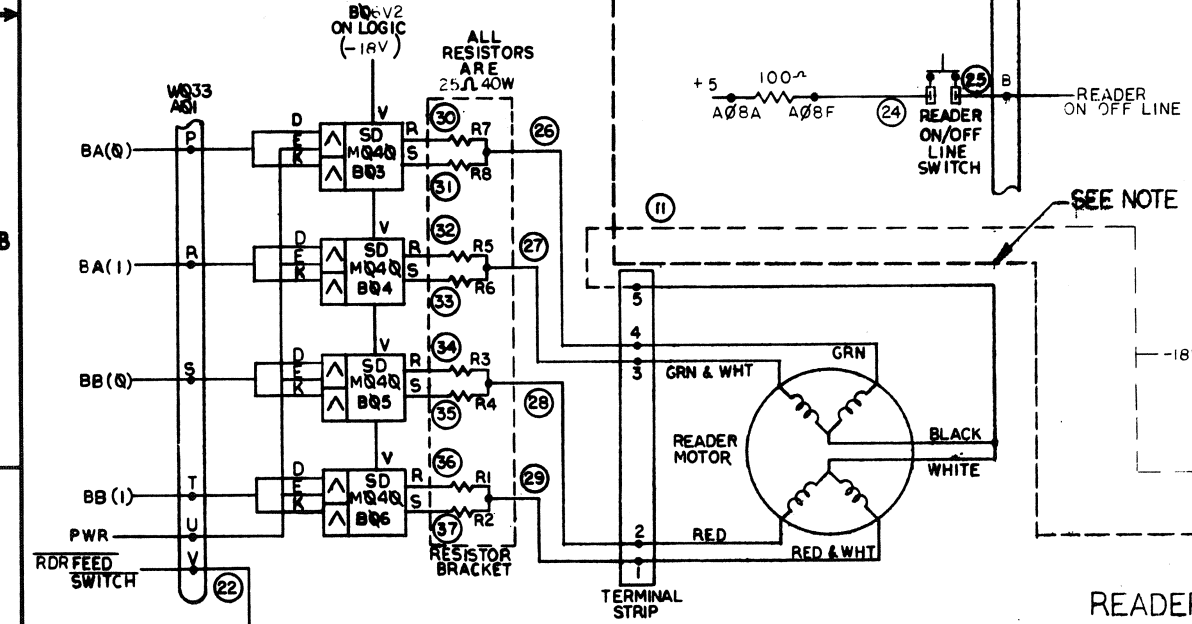
| FIRST USED ON OPTION / MODEL | | QTY. | DESCRIPTION | PART NO. | ITEM NO. |
|--------------------------------------|-----------|---------|-------------|----------|----------|
| PC04 | | | | | |
| UNLESS OTHERWISE SPECIFIED | | | | | |
| DIMENSION IN INCHES | | | | | |
| TOLERANCES | | | | | |
| DECIMALS | FRACTIONS | ANGLES | | | |
| ± .005 | ± 1/64 | ± 0°30' | | | |
| FINAL SURFACE QUALITY | | | | | |
| REMOVE BURRS AND BREAK SHARP CORNERS | | | | | |
| MATERIAL | | | | | |
| NEXT HIGHER ASSY. | | | | | |
| A-ML-PC04 | | | | | |
| FINISH | | | | | |
| SCALE NONE | | | | | |
| SHEET 2 OF 3 | | | | | |

DIGITAL EQUIPMENT CORPORATION
 TITLE: **POWER AND CONTROL SCHEMATIC DIAGRAM (81)**
 SIZE CODE: **D** NUMBER: **PC04-0-2** REV: **K**

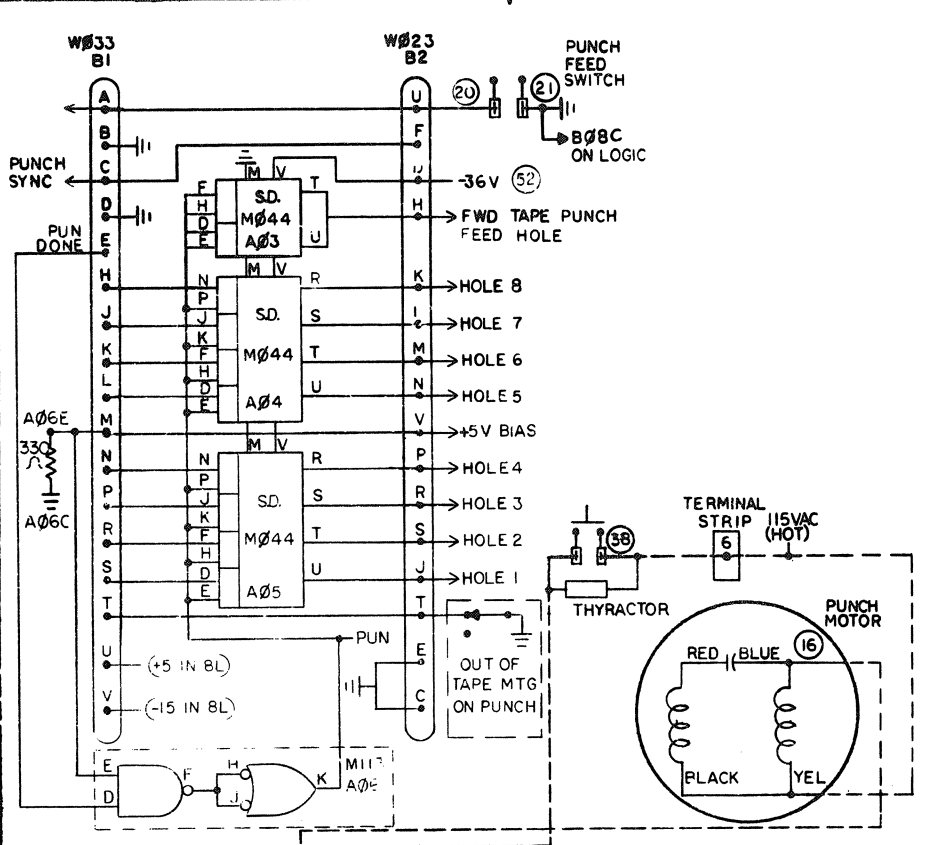
This drawing and specifications, herein, are the property of Digital Equipment Corporation and shall not be reproduced or copied or used in whole or in part in the form for the manufacture or sale of items without written permission.



SEE NOTE 3



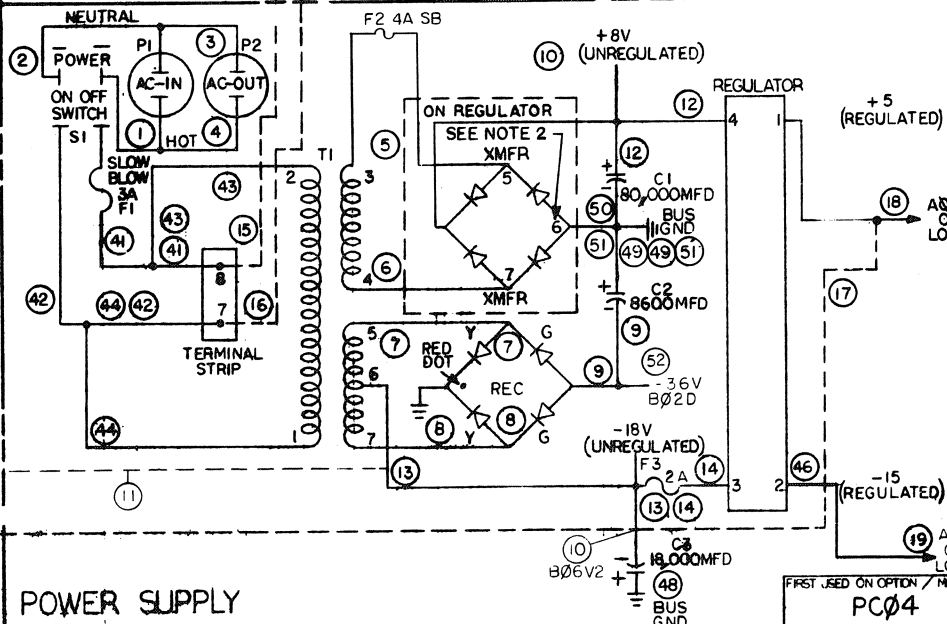
SEE NOTE 1



NOTES:
 1. DOTTED LINES INDICATE POSSIBLE CONNECTIONS BETWEEN POWER SUPPLY, READER AND PUNCH.
 2. THE UNCIRCLED NUMBERS 1 THRU 7 REFER TO CONNECTIONS ON REGULATOR BOARD.
 3. THIS PHOTO TRANSISTOR IS NOT USED.
 4. CIRCLED NUMBERS 1 THRU 16 ARE WIRE NUMBERS. SEE TABLE.

| WIRE TABLE | | | |
|------------|-------------|---------|--------------|
| WIRE NO | COLOR | WIRE NO | COLOR |
| 1 | RED | 24 | WHITE-YELLOW |
| 2 | WHITE | 25 | BROWN |
| 3 | WHITE | 26 | WHITE-BROWN |
| 4 | RED | 27 | WHITE-ORANGE |
| 5 | ORANGE | 28 | WHITE-YELLOW |
| 6 | GRAY-BLUE | 29 | WHITE-VIOLET |
| 7 | GRAY-WHITE | 30 | BROWN |
| 8 | YELLOW | 31 | BROWN |
| 9 | BLUE | 32 | ORANGE |
| 10 | GRN | 33 | ORANGE |
| 11 | GRN | 34 | YELLOW |
| 12 | GRAY-VIOLET | 35 | YELLOW |
| 13 | GREEN | 36 | VIOLET |
| 14 | GREEN | 37 | VIOLET |
| 15 | RED | 38 | RED |
| 16 | WHITE | 39 | |
| 17 | GRAY-RED | 40 | |
| 18 | GRAY-RED | 41 | RED |
| 19 | GRAY-YELLOW | 42 | WHITE |
| 20 | WHITE | 43 | RED |
| 21 | BLACK | 44 | WHITE |
| 22 | YELLOW | | |
| 23 | WHITE-BLACK | 46 | GRAY-YELLOW |
| 48 THRU 51 | BLACK | 47 | GRAY-RED |
| 52 | BLUE | | |

| LEGEND | | | |
|-------------------|--|--------------------|----------------------------|
| CONN ECTIONS | MODEL | PC04 PL | PC04 RB |
| PWR SUP TO READER | PC04 BL PC04 BM | PC04 PL PC04 PM | PC04 RB PC04 RB |
| PWR SUP TO PUNCH | 30 TO PUNCH CABLE B02D 115V (HOT) TO PUNCH SW 115 (NEUTRAL) TO PUNCH MOTOR | | SAME AS PC04 BL PC04 BM |
| | | | |
| | | | |
| | | | |



READER POWER SUPPLY

REFERENCE: 7006268-1 LOGIC BLOCK

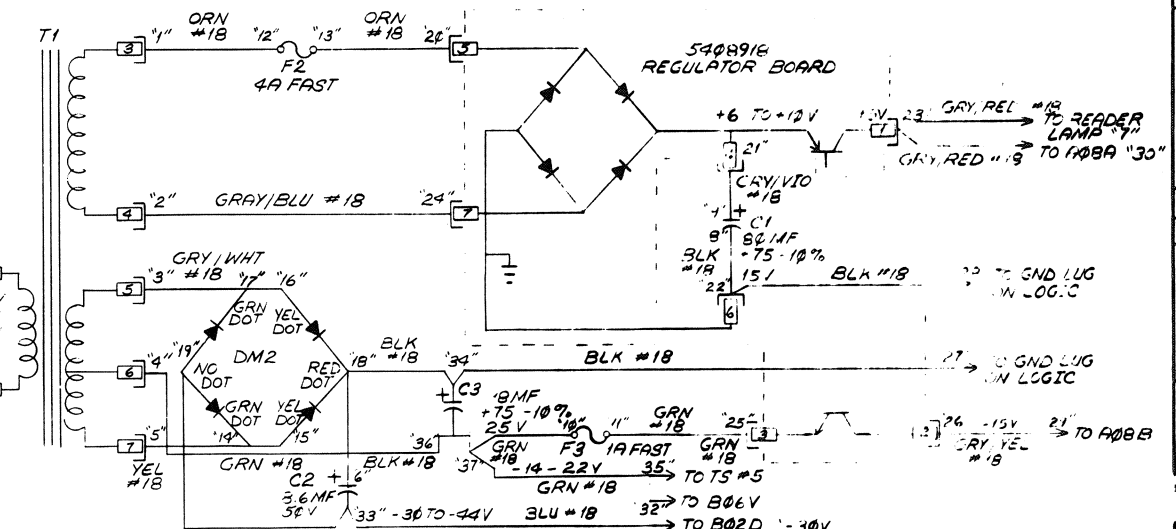
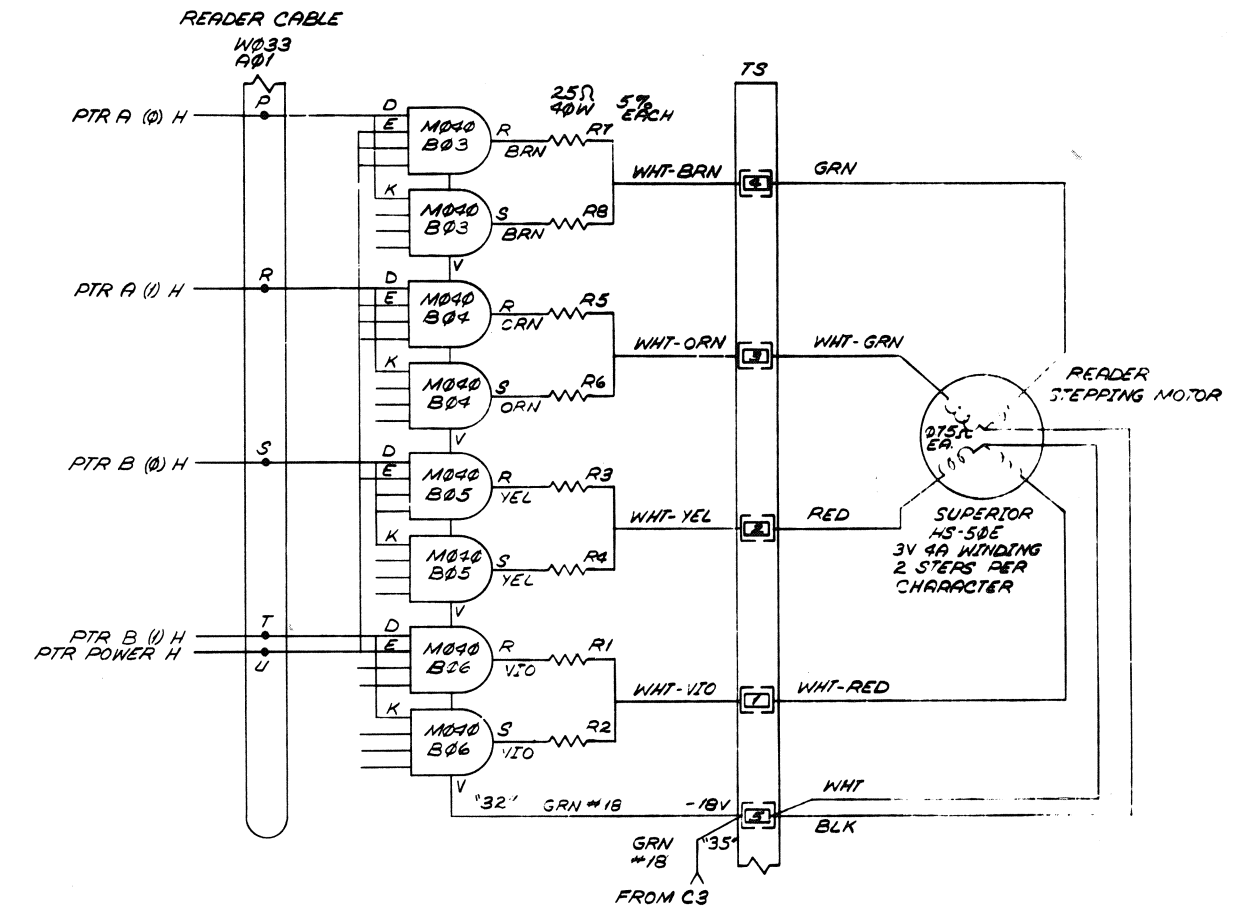
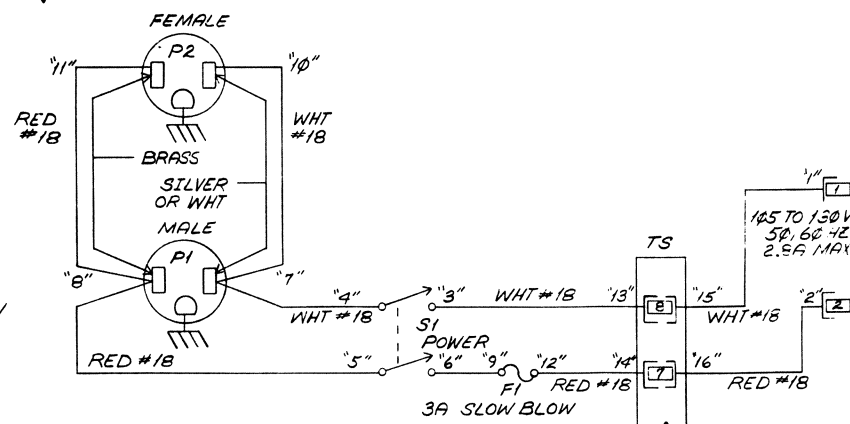
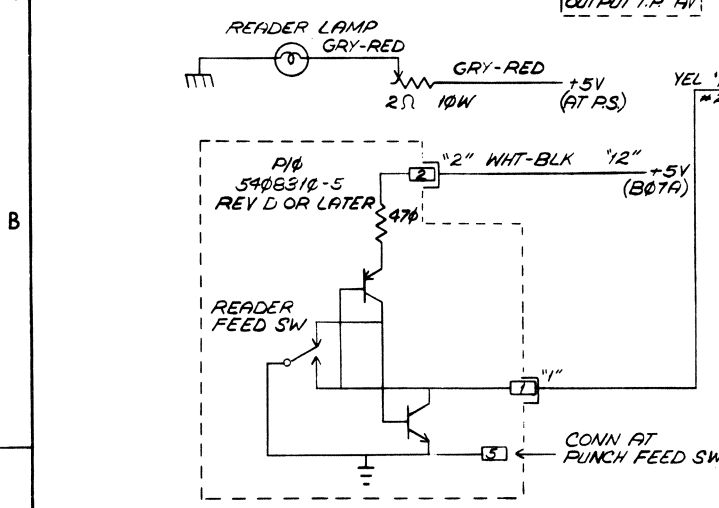
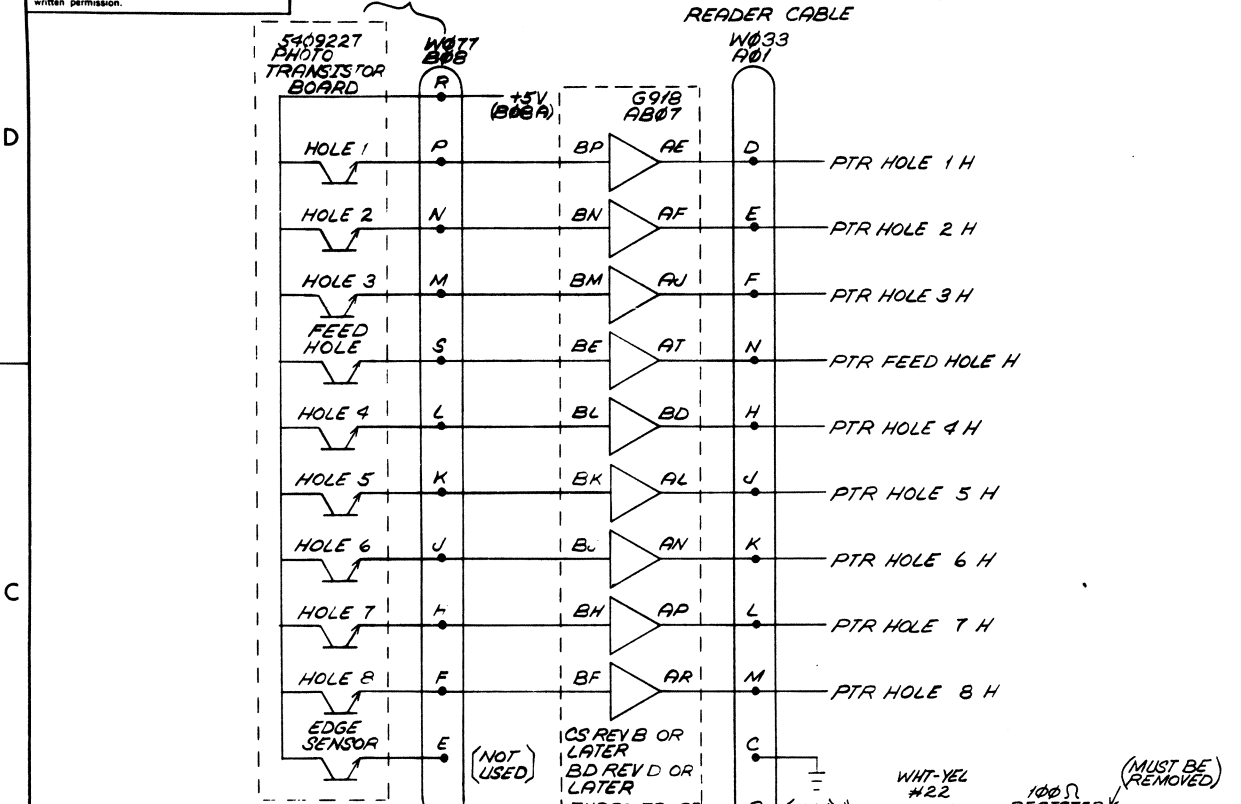
| REV. | DESCRIPTION |
|------|-------------|
| 1 | ISSUED |

| QTY. | DESCRIPTION | PART NO. | ITEM NO. |
|------|-------------|----------|----------|
| | | | |
| | | | |
| | | | |

digital EQUIPMENT CORPORATION
 TITLE: POWER AND CONTROL SCHEMATIC DIAGRAM (8L, 8E, 8M, 8F)
 NUMBER: DBS PC04-0-2
 REV: K
 SHEET 3 OF 3

This drawing and specifications, herein, are the property of Digital Equipment Corporation and shall not be reproduced or copied or used in whole or in part as the basis for the manufacture or sale of items without written permission.

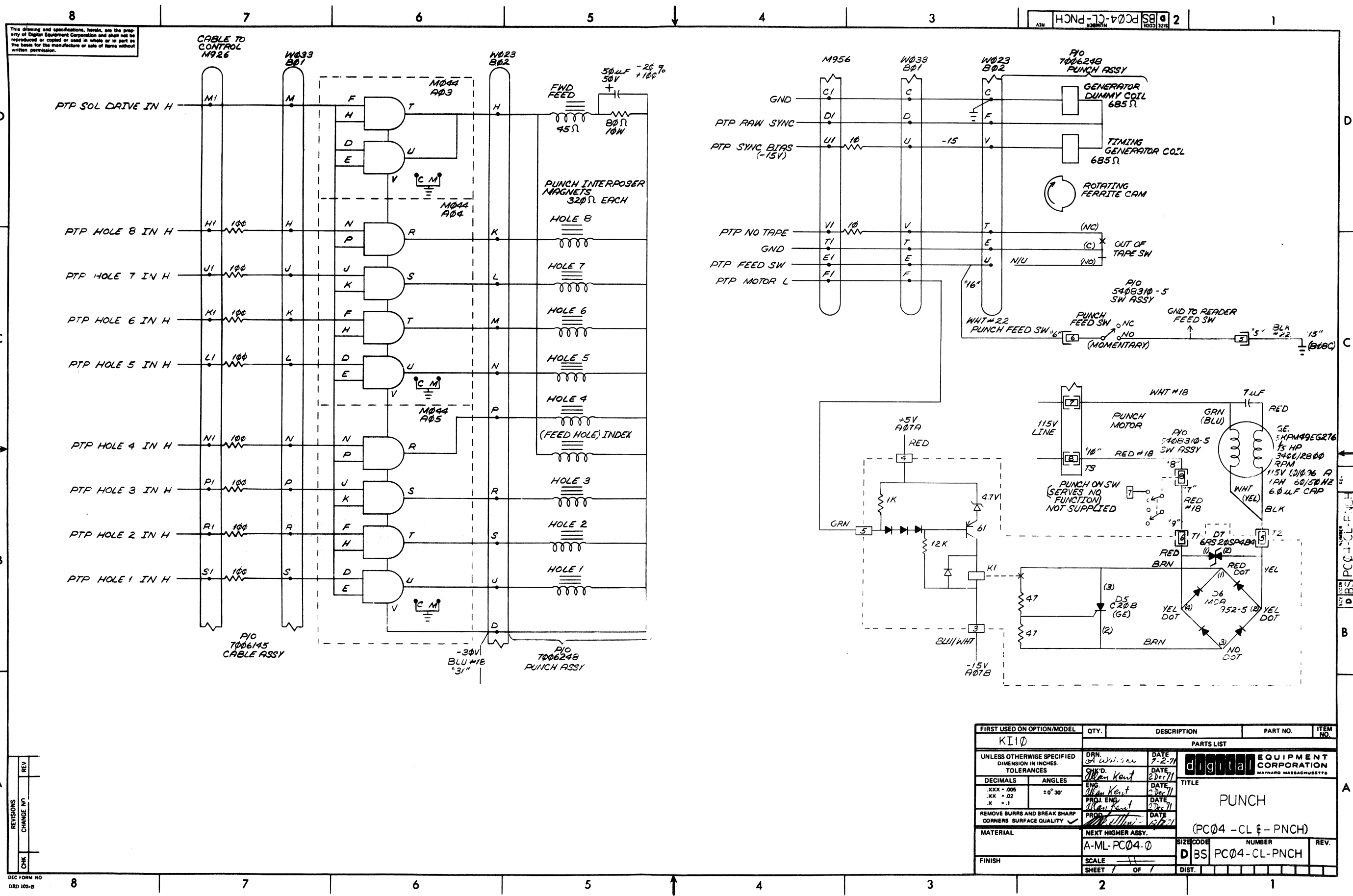
7006267 PHOTO TRANSISTOR ASSY REV C OR LATER



| | | |
|-----------|----|-----|
| REVISIONS | NO | REV |
| CHK | | |

| | | | | |
|---|---------|---------------------|-------|--|
| UNLESS OTHERWISE SPECIFIED DIMENSION IN INCHES TOLERANCES | | DRN 7-21-77 | DATE | digital EQUIPMENT CORPORATION MAYNARD MASSACHUSETTS |
| DECIMALS | ANGLES | CHK'D 7-21-77 | DATE | |
| .XXX - .006 | ±0° 30' | ENG 7-21-77 | DATE | TITLE READER AND POWER SUPPLY (PC34-CL & -CM) |
| .XX - .02 | | PROJ ENG 7-21-77 | DATE | |
| .X - .1 | | DRN 7-21-77 | DATE | MATERIAL NEXT HIGHER ASSY. |
| REMOVE BURRS AND BREAK SHARP CORNERS SURFACE QUALITY | | FINISH | SCALE | |
| FINISH | | A-ML-PC04-2 | | SIZE CODE D BS |
| FINISH | | SHEET 1 OF 1 | | NUMBER PC04-CL-RD |
| FINISH | | DIST. | | REV. |

This drawing and specifications, herein, are the property of Digital Equipment Corporation and shall not be reproduced or copied in whole or in part as the basis for the manufacture or sale of items without written permission.



| FIRST USED ON OPTION/MODEL | QTY. | DESCRIPTION | PART NO. | ITEM NO. |
|---|---------|--|--|----------|
| KI10 | | | | |
| PARTS LIST | | | | |
| UNLESS OTHERWISE SPECIFIED DIMENSION IN INCHES TOLERANCES | | DRN. <i>A. Winters</i> DATE 7-2-71 | digital EQUIPMENT CORPORATION MAYNARD MASSACHUSETTS | |
| DECIMALS | ANGLES | CHK'D. <i>Ran Kent</i> DATE 2 Dec 71 | | |
| .XXX - .005 | ±0° 30' | ENG. <i>Ran Kent</i> DATE 2 Dec 71 | | |
| .X - .1 | | PROJ. ENG. <i>Ran Kent</i> DATE 2 Dec 71 | | |
| | | PROP. <i>Ran Kent</i> DATE 2 Dec 71 | | |
| REMOVE BURRS AND BREAK SHARP CORNERS SURFACE QUALITY | | | | |
| MATERIAL | | NEXT HIGHER ASSY. | | |
| FINISH | | A-ML-PC04-0 | | |
| SCALE | | D BS PC04-CL-PNCH | | |
| SHEET 1 OF 1 | | DIST. | | |

REVISIONS
 CHANGE NO.
 CHK

This drawing and specifications, herein, are the property of Digital Equipment Corporation and shall not be reproduced or copied or used in whole or in part as the basis for the manufacture or sale of items without written permission.

DMU PC04-0-3

NOTES:
 1. G918 REVISION MUST BE "B" CIRCUIT SCHEMATIC, "D" ETCHED BOARD OF HIGHER.
 2. * 50 HZ VARIATION

| | | | | | | | | |
|---|------|------|------|------|------|------|------|-----------------|
| | 1 | 2 | 3 | 4 | 5 | 6 | 7 | 8 |
| A | | | | | | W512 | G918 | W512 |
| | | | | | | | | LEVEL CONVERTER |
| B | W077 | W023 | W040 | W040 | W040 | W040 | | W077 |
| | | | | | | | | PHOTO AMPLIFIER |
| | | | | | | | | READER CELL |
| | | | | | | | | LEVEL CONVERTER |

PC04-B-BA*-C-CA*
 (SEE E-AD-7006268-0-0 WITH NOTE 4; PDP-8/S, -9, KA10)

| | | | | | | | | |
|---|------|------|---|---|---|---|---|---|
| | 1 | 2 | 3 | 4 | 5 | 6 | 7 | 8 |
| A | | | | | | | | |
| B | W077 | W023 | | | | | | |
| | | | | | | | | |
| | | | | | | | | |
| | | | | | | | | |

PC04-P-PA*
 (SEE E-AD-7006268-0-0 WITH NOTE 4; PDP-8, -8/S)

| | | | | | | | | |
|---|---|---|------|------|------|------|------|-----------------|
| | 1 | 2 | 3 | 4 | 5 | 6 | 7 | 8 |
| A | | | | | | W512 | G918 | W512 |
| | | | | | | | | LEVEL CONVERTER |
| B | | | W040 | W040 | W040 | W040 | | W077 |
| | | | | | | | | PHOTO AMPLIFIER |
| | | | | | | | | READER CELL |
| | | | | | | | | LEVEL CONVERTER |

PC04-R
 (SEE E-AD-7006268-0-0 WITH NOTE 4; PDP-8, -8/S)

| | | | | | | | | |
|---|------|------|------|------|------|------|---|-----------------|
| | 1 | 2 | 3 | 4 | 5 | 6 | 7 | 8 |
| A | | | | | | | | G918 |
| B | W077 | W023 | W040 | W040 | W040 | W040 | | W077 |
| | | | | | | | | PHOTO AMPLIFIER |
| | | | | | | | | READER CELL |
| | | | | | | | | LEVEL CONVERTER |

PC04-BB-BC*
 (7006268-0; PDP-8/I)

| | | | | | | | | |
|---|------|------|---|---|---|---|---|---|
| | 1 | 2 | 3 | 4 | 5 | 6 | 7 | 8 |
| A | | | | | | | | |
| B | W033 | W023 | | | | | | |
| | | | | | | | | |
| | | | | | | | | |
| | | | | | | | | |

PC04-PL-PM*
 (7006268-1; PDP-8/L, -8/E, -8/M, -8/F)

| | | | | | | | | |
|---|------|---|---|---|---|---|---|-----------------|
| | 1 | 2 | 3 | 4 | 5 | 6 | 7 | 8 |
| A | | | | | | | | G918 |
| B | W077 | | | | | | | W077 |
| | | | | | | | | PHOTO AMPLIFIER |
| | | | | | | | | READER CELL |
| | | | | | | | | LEVEL CONVERTER |

PC04-RE
 (7006268-0; PDP-8/I)

| | | | | | | | | |
|---|------|------|------|------|------|------|------|------------------|
| | 1 | 2 | 3 | 4 | 5 | 6 | 7 | 8 |
| A | W033 | W044 | W044 | W044 | W044 | W044 | W044 | G918 |
| B | W033 | W023 | W040 | W040 | W040 | W040 | | W077 |
| | | | | | | | | PHOTO AMP. IFIEH |
| | | | | | | | | READER CELL |
| | | | | | | | | LEVEL CONVERTER |

PC04-BL-BM*
 (7006268-1; PDP-8/L, -8/E, -8/M, -8/F)

| | | | | | | | | |
|---|------|---|---|---|---|---|---|-----------------|
| | 1 | 2 | 3 | 4 | 5 | 6 | 7 | 8 |
| A | | | | | | | | G918 |
| B | W033 | | | | | | | W077 |
| | | | | | | | | PHOTO AMPLIFIER |
| | | | | | | | | READER CELL |
| | | | | | | | | LEVEL CONVERTER |

PC04-RL
 (7006268-1; PDP-8/L, -8/E, -8/M, -8/F)

| | | | | | | | | |
|---|------|------|------|------|------|---|---|-----------------|
| | 1 | 2 | 3 | 4 | 5 | 6 | 7 | 8 |
| A | | | | | | | | G918 |
| B | W033 | W023 | W040 | W040 | W040 | | | W077 |
| | | | | | | | | PHOTO AMPLIFIER |
| | | | | | | | | READER CELL |
| | | | | | | | | LEVEL CONVERTER |

PC04-CL-CM*
 (7006268-2; KI10)

| REV. | CHG. | NO. | DATE | BY |
|------|------|------|----------|----------|
| C | | 0053 | 12-18-71 | KENT |
| D | | 0055 | 4-19-72 | C. YOUSE |
| | | | | |

DEC FORM NO. 100-A

| FIRST USED ON OPTION/MODEL | QTY. | DESCRIPTION | PART NO. | ITEM NO. |
|--|-------------------|-------------------------------|----------|----------|
| PC04-0 | | | | |
| UNLESS OTHERWISE SPECIFIED DIMENSION IN INCHES. | | | | |
| TOLERANCES | | | | |
| DECIMALS | | ANGLES | | |
| XXX - .005 | | ±0° 30' | | |
| XX - .02 | | | | |
| X - .1 | | | | |
| REMOVE BURRS AND BREAK SHARP CORNERS SURFACE QUALITY | | | | |
| MATERIAL | NEXT HIGHER ASSY. | | | |
| FINISH | SCALE | | | |
| | SHEET 1 OF 1 | | | |
| PARTS LIST | | TITLE | | |
| DRN P. MARCOTTI | DATE 6-8-69 | digital EQUIPMENT CORPORATION | | |
| CHK'D R. CARVELL | DATE 6-8-69 | MAYNARD MASSACHUSETTS | | |
| ENG G. BECKNER | DATE 6-8-69 | MODULE UTILIZATION LIST PC04 | | |
| PROJ. ENG. G. BECKNER | DATE 6-8-69 | | | |
| PROD. R. ANTONUCCIO | DATE 6-8-69 | | | |
| SIZE CODE | | NUMBER | | REV. |
| A-ML-PC04 | | DMU PC04-0-3 | | D |
| DIST. | | | | |

DIGITAL EQUIPMENT CORPORATION
MAYNARD, MASSACHUSETTS

PARTS LIST

MADE BY P. MARCOTTE
 CHECKED R. Carvelli
 DATE 6/5/69
 SECTION 1
 ENG G. Blackner
 PROD DATE 6/6/69
 ISSUED SECT. 1
 DATE 6/6/69

| ITEM NO. | DWG NO. / PART NO. | DESCRIPTION | PCØ4-B-Ø | PCØ4-BA-Ø | PCØ4-C-Ø | PCØ4-CA-Ø | PCØ4-P-Ø | PCØ4-PA-Ø | PCØ4-R-Ø | PCØ4-BB-Ø | PCØ4-3C-Ø | PCØ4-RB-Ø |
|----------|--------------------|--------------------------|----------|-----------|----------|-----------|----------|-----------|----------|-----------|-----------|-----------|
| 1 | G918 * | PHOTO AMPLIFIER | 1 | 1 | 1 | 1 | - | - | 1 | 1 | 1 | 1 |
| 2 | WØ4Ø | NEGATIVE INPUT CONVERTER | 1 | 1 | 1 | 1 | - | - | 1 | 1 | 1 | 1 |
| 3 | WØ4Ø | SOLENOID DRIVER | 4 | 4 | 4 | 4 | - | - | 4 | - | - | - |
| 4 | W512 | POSITIVE LEVEL CONVERTER | 2 | 2 | 2 | 2 | - | - | 2 | - | - | - |
| 5 | MØ4Ø | SOLENOID DRIVER (+ 8I) | - | - | - | - | - | - | - | 4 | 4 | 4 |
| 6 | MØ44 | SOLENOID DRIVER (+8L) | - | - | - | - | - | - | - | - | - | - |
| 7 | M113 | 1Ø-2 INPUT NAND GATE | - | - | - | - | - | - | - | - | - | - |

* NOTE: G918 MUST BE D BOARD REV OR HIGHER

TITLE MODULE UTILIZATION
 ASSEMBLY NO. D-MU-PCØ4-Ø-3
 SIZE CODE A PL
 SHEET 1 OF 2
 NUMBER PCØ4-Ø-3
 DIST.
 REV ECO NO. D PCØ4-00055

DEC FORM NO. DRA 110

DIGITAL EQUIPMENT CORPORATION
MAYNARD, MASSACHUSETTS

PARTS LIST

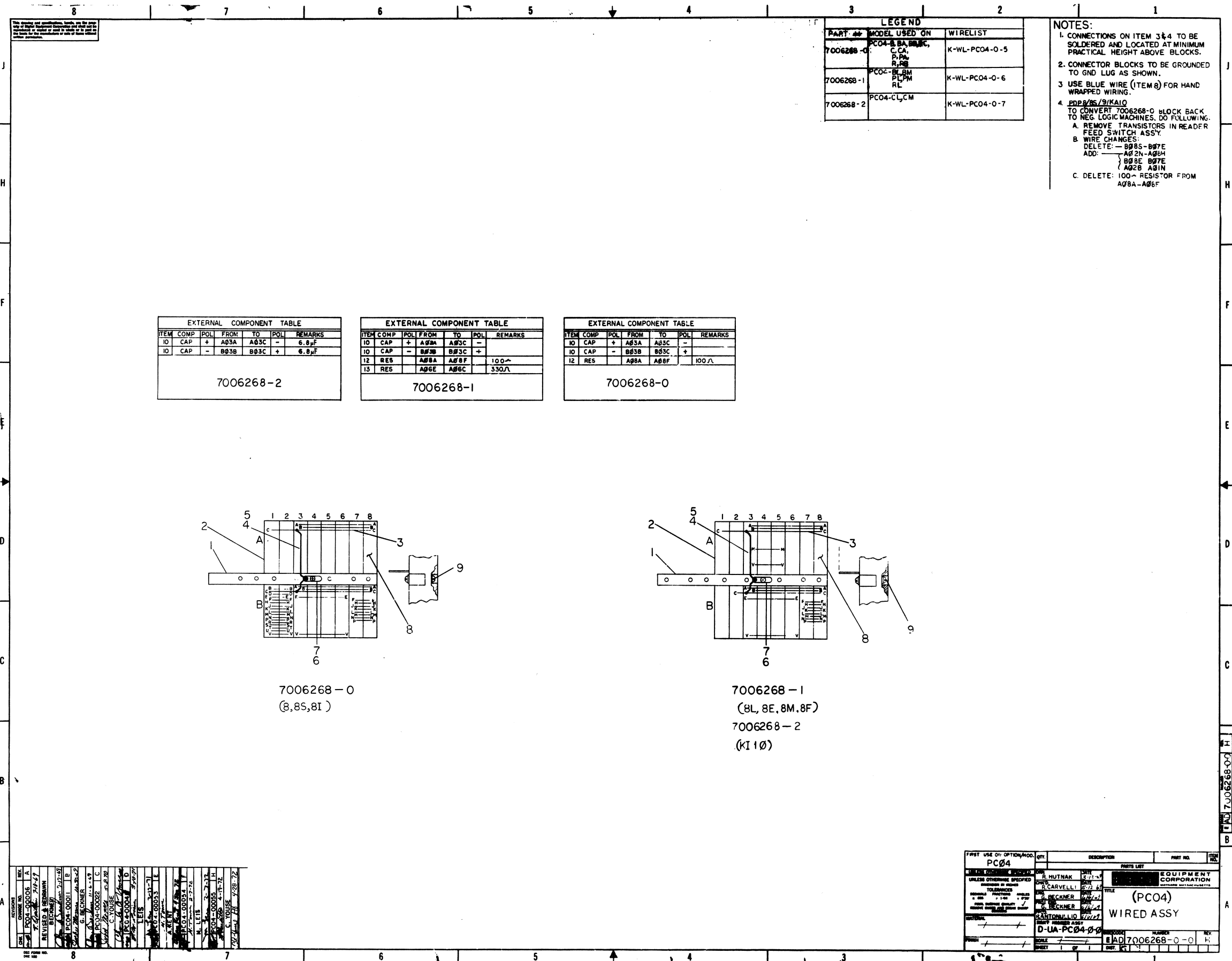
MADE BY P. MARCOTTE
 CHECKED R. CARVELLI
 DATE 6/5/69
 SECTION 1
 ENG G. BLACKNER
 PROD DATE 6/6/69
 ISSUED SECT. 1
 DATE 6/6/69

| ITEM NO. | DWG NO. / PART NO. | DESCRIPTION | PCØ4-BI-Ø | PCØ4-BM-Ø | PCØ4-PI-Ø | PCØ4-PM-Ø | PCØ4-CL, -CM | PCØ4-RI |
|----------|--------------------|--------------------------|-----------|-----------|-----------|-----------|--------------|---------|
| 1 | G918 * | PHOTO AMPLIFIER | 1 | 1 | - | - | 1 | 1 |
| 2 | WØ4Ø | SOLENOID DRIVER (-) | - | - | - | - | - | - |
| 3 | W512 | POSITIVE LEVEL CONVERTER | - | - | - | - | - | - |
| 4 | MØ4Ø | SOLENOID DRIVER (+) | 4 | 4 | - | - | 4 | 4 |
| 5 | MØ44 | SOLENOID DRIVER (+8L) | 3 | 3 | 3 | 3 | - | - |
| 6 | M113 | 1Ø-2 INPUT NAND GATE | 1 | 1 | 1 | - | - | - |

* NOTE: G918 MUST BE D REV BOARD OR HIGHER

TITLE MODULE UTILIZATION
 ASSEMBLY NO. D-MU-PCØ4-Ø-3
 SIZE CODE A PL
 SHEET 2 OF 2
 NUMBER PCØ4-Ø-3
 DIST.
 REV ECO NO. D

DEC FORM NO. DRA 110



| LEGEND | | |
|-----------|--|---------------|
| PART NO. | MODEL USED ON | WIRELIST |
| 7006268-0 | PC04-BA,8B,8C, C,CA, P,PA, R,RA | K-WL-PC04-0-5 |
| 7006268-1 | PC04-BL,8B, PL,PM, RL | K-WL-PC04-0-6 |
| 7006268-2 | PC04-CL,CM | K-WL-PC04-0-7 |

- NOTES:**
- CONNECTIONS ON ITEM 3&4 TO BE SOLDERED AND LOCATED AT MINIMUM PRACTICAL HEIGHT ABOVE BLOCKS.
 - CONNECTOR BLOCKS TO BE GROUNDED TO GND LUG AS SHOWN.
 - USE BLUE WIRE (ITEM 8) FOR HAND WRAPPED WIRING.
 - PDP/8S/9/KA10 TO CONVERT 7006268-0 BLOCK BACK TO NEG. LOGIC MACHINES, DO FOLLOWING:
 - REMOVE TRANSISTORS IN READER FEED SWITCH ASSY.
 - WIRE CHANGES:
 - DELETE: - B08S-B07E
 - ADD: A02N-A06H
 - B09E-B07E
 - A02B-ASIN
 - C. DELETE: 100-RESISTOR FROM A08A-A06F

| EXTERNAL COMPONENT TABLE | | | | | |
|--------------------------|------|-----|------|------|---------|
| ITEM | COMP | POL | FROM | TO | REMARKS |
| 10 | CAP | + | A03A | A03C | 6.8μF |
| 10 | CAP | - | B03B | B03C | 6.8μF |

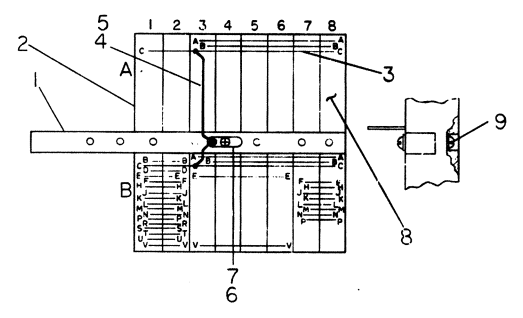
7006268-2

| EXTERNAL COMPONENT TABLE | | | | | |
|--------------------------|------|-----|------|------|---------|
| ITEM | COMP | POL | FROM | TO | REMARKS |
| 10 | CAP | + | A03A | A03C | |
| 10 | CAP | - | B03B | B03C | |
| 12 | RES | | A08A | A08F | 100Ω |
| 13 | RES | | A06E | A06C | 330Ω |

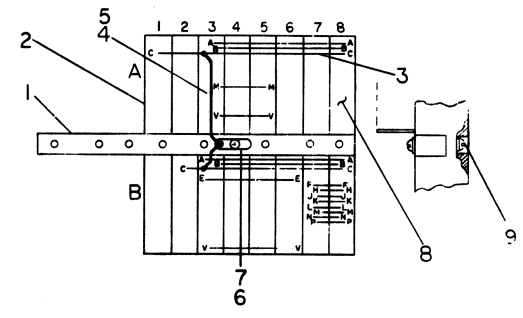
7006268-1

| EXTERNAL COMPONENT TABLE | | | | | |
|--------------------------|------|-----|------|------|---------|
| ITEM | COMP | POL | FROM | TO | REMARKS |
| 10 | CAP | + | A03A | A03C | |
| 10 | CAP | - | B03B | B03C | |
| 12 | RES | | A08A | A08F | 100Ω |
| 13 | RES | | A08A | A08F | 100Ω |

7006268-0



7006268-0
(8,8S,8I)



7006268-1
(8L,8E,8M,8F)
7006268-2
(KI10)

| REV | DATE | BY | CHKD | DESCRIPTION |
|-----|---------|----------|------|---------------------------------|
| 1 | 10/1/72 | W. L. H. | | REVISED TO ADD 100Ω RESISTOR |
| 2 | 10/1/72 | W. L. H. | | REVISED TO ADD 330Ω RESISTOR |
| 3 | 10/1/72 | W. L. H. | | REVISED TO ADD 6.8μF CAPACITORS |
| 4 | 10/1/72 | W. L. H. | | REVISED TO ADD 100Ω RESISTOR |
| 5 | 10/1/72 | W. L. H. | | REVISED TO ADD 330Ω RESISTOR |
| 6 | 10/1/72 | W. L. H. | | REVISED TO ADD 6.8μF CAPACITORS |
| 7 | 10/1/72 | W. L. H. | | REVISED TO ADD 100Ω RESISTOR |
| 8 | 10/1/72 | W. L. H. | | REVISED TO ADD 330Ω RESISTOR |

| FIRST USE ON: OPTION/NO. | QTY. | DESCRIPTION | PART NO. | ITEM NO. |
|----------------------------|------|-----------------------|----------|----------|
| PC04 | | | | |
| UNLESS OTHERWISE SPECIFIED | | EQUIPMENT CORPORATION | | |
| TOLERANCES | | TITLE | | |
| DIMENSIONS | | WIRED ASSY | | |
| MATERIALS | | D-UA-PC04-0-0 | | |
| FINISHES | | REV | | |
| MARKING | | REV | | |
| DRAWN | | REV | | |
| CHECKED | | REV | | |
| APPROVED | | REV | | |

7006268-0

DIGITAL EQUIPMENT CORPORATION
MAYNARD, MASSACHUSETTS
PARTS LIST

| | | | | | |
|---------|----------------------|---------|----------------|--------------|---|
| MADE BY | ROBERT HUTNAK | CHECKED | <i>Carwell</i> | SECTION | 1 |
| DATE | 2/20/69 | DATE | 5/5/69 | ISSUED SECT. | 1 |
| ENG | <i>Robert Hutnak</i> | PROD | <i>Carwell</i> | | |
| DATE | 4/4/67 | DATE | 1/6/67 | | |

QUANTITY / VARIATION

| ITEM NO. | DWG NO. / PART NO. | DESCRIPTION | QUANTITY / VARIATION | | | | | | | | | | | | | | | | | |
|---------------|--------------------|-----------------------------------|----------------------|-----------|-----------|---|--|--|--|--|--|--|--|--|--|--|--|--|--|--|
| | | | 7006268-0 | 7006268-1 | 7006268-2 | | | | | | | | | | | | | | | |
| 1 | B-IA-7407077-0-0 | MTG BAR 6 IN. | 1 | 1 | 1 | | | | | | | | | | | | | | | |
| 2 | 1202244 | 144 PIN CONN BLOCK WRAPTYPE | 2 | 2 | 2 | | | | | | | | | | | | | | | |
| 3 | 1202188 | BUS BAR BERG NO. 3584-032 | A/R | RA | RA | R | | | | | | | | | | | | | | |
| 4 | 9107560-1 | #22 AWG BUS WIRE | A/R | RA | RA | R | | | | | | | | | | | | | | |
| 5 | 9107265 | #22 TUBING, TEFLON, WHITE | A/R | RA | RA | R | | | | | | | | | | | | | | |
| 6 | 9007597 | TERMINAL SHAKEPROOF #2116-08-00 | 1 | 1 | 1 | | | | | | | | | | | | | | | |
| 7 | 9006034 | SCR PHL PAN HD #8-32 x .19 LG SST | 1 | 1 | 1 | | | | | | | | | | | | | | | |
| 8 | 9107470-10 | #24 AWG SOLID KYNAR BLUE | A/R | RA | RA | R | | | | | | | | | | | | | | |
| 9 | 9007641 | SCR PHL FIL HD #8-32 x 1/2 LG SST | 4 | 4 | 4 | | | | | | | | | | | | | | | |
| 10 | 1005306 | CAP 6.8 MFD 35V 10% | 2 | 2 | 2 | | | | | | | | | | | | | | | |
| 11 | 1000086 | CAP 180 MFD 6V 10% | 1 | | | | | | | | | | | | | | | | | |
| 12 | 13-00231 | RES 100ohm 1/4W 5% | 1 | 1 | - | | | | | | | | | | | | | | | |
| 13 | 1300295 | RES 330 OHM 1/4W 5% | - | 1 | - | | | | | | | | | | | | | | | |
| REF | K-WL-PC04-0-5 | WIRE LIST | 1 | - | - | | | | | | | | | | | | | | | |
| REF | K-WL-PC04-0-6 | WIRE LIST | - | 1 | - | | | | | | | | | | | | | | | |
| REF | K-WL-PC04-0-7 | WIRE LIST | - | - | 1 | | | | | | | | | | | | | | | |

| | | | | | | | | | | | | | |
|-------|----------------|----------|------------------|-------|---|------|----|--------|-------------|------|---|---------|------------|
| TITLE | PC4 WIRED ASSY | ASSY NO. | E-AD-7006268-0-0 | SIZE | A | CODE | PL | NUMBER | 7006268-0-0 | REV. | H | ECO NO. | PC04-00055 |
| SHEET | 1 | OF | 1 | DIST. | 5 | | | | | | | | |

This drawing and specifications, herein, are the property of Digital Equipment Corporation and shall not be reproduced or copied or used in whole or in part as the basis for the manufacture or sale of items without written permission.

DIGITAL EQUIPMENT CORPORATION
MAYNARD, MASSACHUSETTS

ENGINEERING SPECIFICATION

TITLE PC94 Engineering Specification DATE 11/11/69

| REVISIONS | | CHG NO | ORIG | DATE | APPD BY | DATE |
|-----------|-------------|--------|---------|------|---------|---------|
| REV | DESCRIPTION | PC04 | M. LEIS | | M | 3-17-77 |
| A | | PC04 | | | | |

General Information:

The PC94 comes in eight (8) configurations. They are the PC94P, PL (basic punch), PC94R, RE (basic reader), PC94B, EB, BL, (punch and reader), and PC94C (punch, SCR, and reader). The 50 cycle variations are PC94PA, PM; PC94BA, BC, BM, and PC94CA with no variation in PC94R and RE. Table 1-1 gives the block schematic references, UML, interface cables, and the applicable computers.

Logic Levels: Negative Logic Systems

Logic 1 is -3.2v to -3.9 volts
 Logic 0 is 0v to -0.3 volts

Logic Levels: Positive Logic Systems

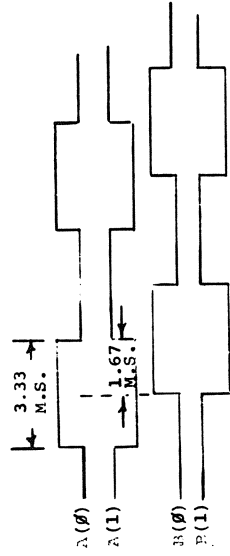
Logic 1 is >+2.4v
 Logic 0 <+0.8v

Reader Signals:

Reference drawing BS-D-PC94-0-2

(1) A(0), A(1), B(0), and B(1) are the signals used to drive the stepping motors via the four solenoid drivers.

The timing chart and graph for these signals would be:



EMG *John A. Yonker* APPD *John A. Yonker* SIZE CODE A SP PC94-0-4 NUMBER 1 OF 7 REV A

CONTINUATION SHEET

TITLE PC04 Engineering Specification

- (5) The eight data holes also require a 10 msec. level to activate the punches.
- (6) Out-of-tape signal is generated from a micro-switch on the punch. It is at ground when the punch is out-of-tape.
- (7) Punch feed switch is used to manually feed tape through the punch.
- (8) The -3 volt or +5v supply is a bias on the punch sync coil.
- (9) The punch on/off power switch is used in the options not using the SCR driver. It simply supplies 115 volts to the punch motor.

Power Supply

- (1) Regulated +5 volts ±.25 volts
- (2) Regulated -15 volts ±1.0 volt
- (3) -36 volts ± 4 volts

Power Requirements

Unit will run at 50 or 60 cycles, 115 volts ±10%. 2.5 AMPS run 4 AMPS surge

Reader

- (a) Temperature (1) 55° - 110°F operating, 10° - 150°F non-operating
- (b) Humidity (1) 20% - 95% w/o condensation operating; 5% - 95% w/o condensation non-operating.
- (c) Speed (1) 300 - 310 characters/second full speed. (2) 20 - 26 character/second single character rate.
- (d) Type of tape (1) non-oil (less than 12% transmissivity)
- (e) Tape Life: Acceleration de-accelerate type operation - 30,000 cycles.

DEC FORM NO DRA 108A SIZE CODE A SP PC04-0-4 NUMBER 3 OF 7 REV A

CONTINUATION SHEET

TITLE PC94 Engineering Specification

- (2) Power (1) serves the function of supplying only half current to the stepping motor when the motor is stopped. This signal is 0 volts when the motor is stopped and -3 volts when the motor is active for negative logic systems and >+2.0 volts when motor is active and <+0.8 v when the motor is stopped for positive logic systems.
- (3) The reader feed switch is simply an off line means of moving tape through the reader. A ground level performs this function.
- (4) The reader on/off line switch allows the operator to disable the unit from reading by putting the switch in the off-line position.
- (5) The reader on/off line switch is open whenever the reader is off line, and is >2.4v when the reader is on line.

(6) Data Output Lines:

| | |
|------------|---------|
| Hole | No Hole |
| -3 volts | 0 volts |
| +2.4 volts | 0 volts |

Punch Signals:

Refer to drawing BS-D-PC94-0-2

- (1) The interface signal used to turn on the punch motor with an SCR driver option is Gnd when active and open or -3v when inactive.
- (2) The -36 volt is supplied to the solenoid coils on the punch motor and also to the solenoid drivers at the external control.
- (3) Punch sync is the signal generated from the sync timing wheel on the punch. Equally spaced (in time) positive and negative pulses (one each) for each shaft revolution is generated on this line.
- (4) Forward tape and punch feed hole: A ground level for 10 msec. ±10% will punch feed hole and then advance the tape forward in preparation for another cycle for all configurations except PC94PI and BL when the solenoid drivers are activated by a >+2.0v signal.

DEC FORM NO DRA 108A SIZE CODE A SP PC04-0-4 NUMBER 2 OF 7 REV A

CONTINUATION SHEET

TITLE PC94 Engineering Specification

Punch

- (a) Temperature (1) 55° - 110°F operating; 10° - 150°F non-operating
- (b) Humidity (1) 20% - 95% w/o condensation - operating (2) 5% - 95% w/o condensation - non-operating
- (c) Tension of tape supply (1) Not to exceed 6 ounces
- (d) Speed (1) 50 characters/second ±5%

Margins

+5v is +5v ±.5v
 -15v is -15v ±20%
 -30v is -36v ±5%

DEC FORM NO DRA 108A SIZE CODE A SP PC04-0-4 NUMBER 4 OF 7 REV A

| ENGINEERING SPECIFICATION | | CONTINUATION SHEET | | | |
|--------------------------------------|-------------------------------------|--|------------------|----------------------------|--------------------------|
| TITLE PC#4 Engineering Specification | | PC#4 Engineering Specification - Test Procedure for Reader | | | |
| TABLE 1-1 PC#4 Configuration | | | | | |
| CONFIGURATION | REFERENCE BLOCK SCHEMATICS | PUNCH MODULES | INTERFACE CABLES | READER MODULES | APPLICABLE COMPUTERS |
| PC#4P | D/BS/PC#4-0-2 Page 1 of 3 | None | 1-W077A | N/A | PDP8; PDP8/S; PDP8/I |
| PC#4PL | D/BS/PC#4-0-2 Page 3 of 3 | 3-M044 | 1-W033A | N/A | PDP8/L; PDP8E |
| PC#4R | D/BS/PC#4-0-2 Page 1 of 3 | N/A | 1-W077A | 1-G918 4-W040 2-W512 | PDP8; PDP8/S |
| PC#4RB | D/BS/PC#4-0-2 Pages 2 and 3 of 3 | N/A | 1-W077A | 1-G918 4-M040 | PDP8/I; PDP8/L PDP8/E |
| PC#4B | D/BS/PC#4-0-2 Page 1 of 3 | None | 2-W077A | 1-G918 4-W040 2-W512 | PDP8; PDP8/S |
| PC#4BB | D/BS/PC#4-0-2 Page 2 of 3 | None | 2-W077A | 1-G918 4-M040 | PDP8/I |
| PC#4BL | D/BS/PC#4-0-2 Page 3 of 3 | 3-M044 | 2-W033C | 1-G918 4-M040 | PDP8/L PDP8/E |
| PC#4C | D/BS/PC#4-0-2 Page 1 of 3 | None | 2-W077A | 1-G918 4-W040 2-W512 | PDP9; PDP10 |

DEC FORM NO DRA 108A
SIZE CODE SP A
NUMBER PCO-0-4
REV A
SHEET 5 OF 7

| ENGINEERING SPECIFICATION | | CONTINUATION SHEET | |
|---|--|--|--|
| TITLE PC#4 Engineering Specification | | PC#4 Engineering Specification - Test Procedure for Reader | |
| <p>B. -15 volts on A#8B and B#8B (± 1 volts).</p> <p>C. -30 volts on B#6V and B#2D (-32 to -40 volts).</p> | | | |
| <p>3. Shut power off and insert modules for PC#4.</p> <p>4. Apply power and make same check as in 2.</p> <p>5. Put cap. (6.8uf, 10-5306) between pins A#3A (+) and A#3C (-) and between pins B#3C (+) and B#3B (-).</p> | | | |

DEC FORM NO 16-1022
DRA 108
SIZE CODE A
NUMBER PCO4-U-4
REV A
SHEET 7 OF 7

| ENGINEERING SPECIFICATION | | CONTINUATION SHEET | |
|--|--------------|--|----------|
| TITLE PC#4 Engineering Specification | | PC#4 Engineering Specification - Test Procedure for Reader | |
| <p>1. Do not apply power until the following checks are made.</p> <p>a. Logic block empty.</p> <p>b. A#1A, A#2A, A#1E, A#2B, A#1A, and B#2A are bare (no wiring or bussing).</p> <p>c. B#1B and B#2B should be bussed together without any wires on them except for the PC#4C configuration when a white/green wire will be on B#1E.</p> <p>d. Remove reader lamp.</p> <p>e. Check caps for proper polarity in wiring.</p> <p>f. Put ohmmeter on X100 scale and check regulator board tabs 1 thru 5 and 7 for lack of short to ground. Tabs 6 and 8 should indicate a short to ground.</p> <p>g. Check fuses for proper rating. Also, should be slo/blo.</p> <p>h. Check for continuity between reader lamp ground slot and chassis ground.</p> <p>i. Check the following wires for proper connection.</p> | | | |
| Color | Location | Color | Location |
| +black (str) | B#8C | *wh/blue | A#7B |
| *wh/black (str) | B#7C | *wh/green | B#1B |
| #brown (str) | A#2B A#1B | #brown (solid) | B#3R, S |
| #yellow (str) | A#1V | #orange (solid) | B#4R, S |
| *wh/yellow (str) | A#8F | #yellow (solid) | B#5P, S |
| +white (str) | B#1U | #violet (solid) | F#6R, S |
| grey/red (str) | A#8A | +punch configurations | |
| grey/yellow (str) | A#8B | *only on PC#4C configurations | |
| blue (str) | B#6V | =reader configurations | |
| <p>j. Put reader lamp back in position making sure that the tension on the lamp is sufficient for good contact.</p> <p>2. Apply AC power to the unit and check.</p> <p>a. +5 volts on A#8A and B#8A (+5 volts ± 25 volts).</p> | | | |

DEC FORM NO DRA 108A
SIZE CODE SP A
NUMBER PCO4-U-4
REV A
SHEET 6 OF 7

This drawing and specifications, herein, are the property of Digital Equipment Corporation and shall not be reproduced or copied or used in whole or in part as the basis for the manufacture or sale of items without written permission.

| MECHANICAL | | | DEPT USAGE | | | MECHANICAL | | | DEPT USAGE | | | MECHANICAL | | | DEPT USAGE | | | ELECTRICAL | | | DEPT USAGE | | | | | | | | | | | | | | | | | | | | | | | | | | | | | | | | |
|------------|---|---|------------|------|-----|------------|---|--|------------|------|-----|------------|---|--|------------|------|-----|------------|--|---|------------|------|-----|----|---|---|--|--|--|----|--|---|--|--|--|----|------------------|------------------|--|--|--|----|---------------------------|-----------------------------|--|--|--|--|--|--|--|--|--|
| FIND NO. | DESCRIPTION | PART NO. | PROD | CUST | F/C | FIND NO. | DESCRIPTION | PART NO. | PROD | CUST | F/C | FIND NO. | DESCRIPTION | PART NO. | PROD | CUST | F/C | FIND NO. | DESCRIPTION | PART NO. | PROD | CUST | F/C | | | | | | | | | | | | | | | | | | | | | | | | | | | | | | |
| 1 | PC05 READER, PUNCH. | D-UA-PC05-0-0 | | | | 4 | PHOTO TRANSISTOR ASSY | C-1A-7008207-0-0 | | | | 16 | SWITCH ASSY SWITCH ASSY SWITCH ASSY SWITCH ASSY (PL) BAR SPACER SW. BD. | C-AD-5408310-1-0 C-AD-5408310-2-0 C-AD-5408310-3-0 A-PL-5408310-0-0 B-MD-7407175-0-0 | | | | 1 | PAPER TAPE PUNCH, READER SCR PC05-0A READER & PUNCH & DRIVER PC05-0A PUNCH PC05-0A PUNCH PC05-0A PUNCH POWER & CONTROL SCHEMATIC DIAGRAM MODULE UTILIZATION MODULE UTILIZATION (PL) SET UP PROCEDURE ACCESSORY LIST | A-ML-PC05-0 A-ML-PC05-0A A-ML-PC05-0 A-ML-PC05-0A A-ML-PC05-0 D-BS-PC05-3-4 C-MU-PC05-3 A-PL-PC05-3 A-SP-PC05-0-0 A-AL-PC05-0-05 | | | | | | | | | | | | | | | | | | | | | | | | | | | | | | | | | |
| 2 | PC05 READER & PUNCH (PL) CHAD BOX TAPE CONTAINER BRKT. RESISTOR POWER SUPPLY COVER SCR MODULE RETAINER HOLD DOWN BAR PACKAGING INSTRUCTION PC0 READER & PUNCH PUNCH ASSY (80 CY) PUNCH ASSY (50 CY) PUNCH ASSY (PL) CHAD TUBE PUNCH MTG CHASSIS HINGE SHIELD PUNCH CONTACTS TAPE DEPRESSOR PIN PULLY (80CY) PULLY (50CY) PAPER TAPE PUNCH FEED BRKT TAPE CHUTE TORSION SPRING | A-PL-PC05-0-0 B-MD-7408300-0-0 D-MD-7407131-0-0 C-MD-7408300-0-0 E-1A-7407438-0-0 C-1A-7408342-0-0 C-1A-7408334-7-0 A-PI-3700024-0-0 D-AD-7008248-1-0 D-AD-7008248-2-0 A-PL-7008248-0-0 B-MD-7407398-0-0 D-1A-7407071-0-0 B-MD-7407083-0-0 B-MD-7407132-0-0 D-SC-1209915-0-0 B-MD-7408172-0-0 B-MD-7408088-1-0 B-MD-7408088-2-0 D-MD-7408088-0-0 D-1A-7408171-0-0 C-SC-1209924-0-0 | | | | 7 | CHASSIS & POWER SUPPLY ASSY CHASSIS & POWER SUPPLY (PL) PANEL FRONT BRKT MTG BAR RIGHT HAND BRKT MTG BAR LEFT HAND CHASSIS COVER, JONES STRIP HARNNESS, CONTROL HARNNESS I/O 110 VAC HARNNESS POWER SUPPLY DECAL (PC04) | D-AD-7008248-0-0 A-PL-7008248-0-0 D-1A-7407075-0-0 C-MD-7407085-1-0 C-MD-7407085-2-0 E-1A-7407074-0-0 C-MD-5309640-0-0 D-1A-7008311-0-0 D-1A-7008310-0-0 D-1A-7008309-0-0 A-DC-7407476-0-0 | | | | 17 | PC0 SWITCH BOARD FLIP CHIP MODULE | D-1A-5008308-0-0 D-MD-1402230-0-0 | | | | 7 | CHASSIS & POWER SUPPLY ASSY | D-AD-7008248-0-0 | | | | | | | | | | | | | | | | | | | | | | | | | | | | | | | | | |
| 3 | READER ASSY READER ASSY (PL) TAPE PATH GUIDE READER PLATE BLOCK READER SHAFT READER PLATE ARM, SPRING SPRING, BULB DEPRESSOR TAPE BRKT TAPE HOLD DOWN SLO SYN MOTOR REWORK SHIM LENS | D-AD-7008247-0-0 A-PL-7008247-0-0 D-MD-7407076-0-0 D-MD-7407085-0-0 B-MD-7407119-0-0 B-MD-7407120-0-0 B-MD-7407118-0-0 A-MD-7407118-0-0 C-MD-7407121-0-0 C-MD-7407144-0-0 B-1A-7407684-0-0 B-MD-7407800-0-0 B-MD-7404989-0-0 | | | | 8 | PWR REGULATOR ASSY PWR REGULATOR (PL) HEATSINK, PWR REGULATOR CIRCUIT SCHEMATIC | C-AD-7006512-0-0 A-PL-7006512-0-0 C-MD-7407088-0-0 B-CS-5408308-0-1 | | | | 18 | PC05 BUS BAR MTG. BAR (6 IN.) | C-AD-7008253-0-0 B-1A-7407077-0-0 | | | | 11 | TRIAC DRIVER ASSY CIRCUIT SCHEMATIC | C-AD-7006520-0-0 C-AD-7006520-0-0 | | | | 19 | PR SWITCH BOARD | D-1A-5008934-0-0 | | | | 18 | BUS BAR (PC05) | C-AD-7008253-0-0 | | | | | | | | | | | | | | | | | | | | | |
| | | | | | | 9 | PWR REGULATOR BOARD ASSY | C-1A-5408918-0-0 | | | | 19 | PACKAGING INSTRUCTIONS OUTER SHIPPING CARTON INNER SHIPPING CARTON BOTTOM PAD FRONT SPACER SIDE SPACER REAR SUPPORT TOP SPACER TORO PAD POLY BAG | A-PI-3700024-0-0 A-PS-9905046-0-0 A-PS-9905047-0-0 A-PS-9905053-0-0 A-PS-9905054-0-0 A-PS-9905055-0-0 A-PS-9905052-0-0 A-PS-9905056-0-0 A-PS-9905044-1-0 A-PS-9905129-7-0 | | | | 8 | PWR REGULATOR ASSY CIRCUIT SCHEMATIC | C-AD-7006512-0-0 B-CS-5408918-0-1 | | | | 20 | PACKAGING INSTRUCTIONS TAPELESS CARTON SPECIAL DIE CUT ONE PIECE FOLDER QUAD MODULE BOOK PACK POLY BAG | A-PI-3700123-0-0 A-PS-9905348-00-0 A-PS-9905348-01-0 A-PS-9905348-02-0 A-PS-9905072-0-0 A-PS-9905129-7-0 | | | | 11 | TRIAC DRIVER ASSY SCR DRIVER ASSY (PL) SCR DRIVER CHASSIS | C-AD-7006520-0-0 A-PL-7006520-0-0 C-1A-7407070-0-0 | | | | 12 | TERMINAL BD ASSY | E-1A-5408394-0-0 | | | | 13 | TERMINAL BOARD | C-1A-5408394-0-0 | | | | | | | | | |
| | | | | | | 10 | ETCH BOARD | D-1A-5008919-0-0 | | | | 14 | COVER ASSEMBLY COVER ASSEMBLY COVER ASSEMBLY COVER ASSEMBLY (PL) COVER, PC0 (BASIC & COMB) COVER, PC0 (PUNCH) COVER, PC0 (READER) BEZEL | D-AD-7008252-3-0 D-AD-7008252-4-0 D-AD-7008252-5-0 A-PL-7008252-0-0 E-SC-1209396-1-0 E-SC-1209396-3-0 E-SC-1209396-5-0 E-SC-1209225-0-0 | | | | 15 | BEZEL SWITCH SILK SCREEN BEZEL SWITCH SILK SCREEN BEZEL SWITCH SILK SCREEN | C-1A-7407134-5-0 A-SS-7407134-5-1 C-1A-7407134-3-0 A-SS-7407134-2-0 C-1A-7407134-4-0 A-SS-7407134-4-1 | | | | | | | | | | | | | | | | | | | | | | | | | | | | | | | | | |

| REV. | NO. | DATE | BY | CHKD. |
|------|---------|------|----|-------|
| 1 | 1-18-73 | | | |
| 2 | 1-18-73 | | | |
| 3 | 2/13/73 | | | |
| 4 | 9-25-73 | | | |
| 5 | 1/17/73 | | | |
| 6 | 2/27/73 | | | |
| 7 | 5-24-74 | | | |
| 8 | 6/4/74 | | | |

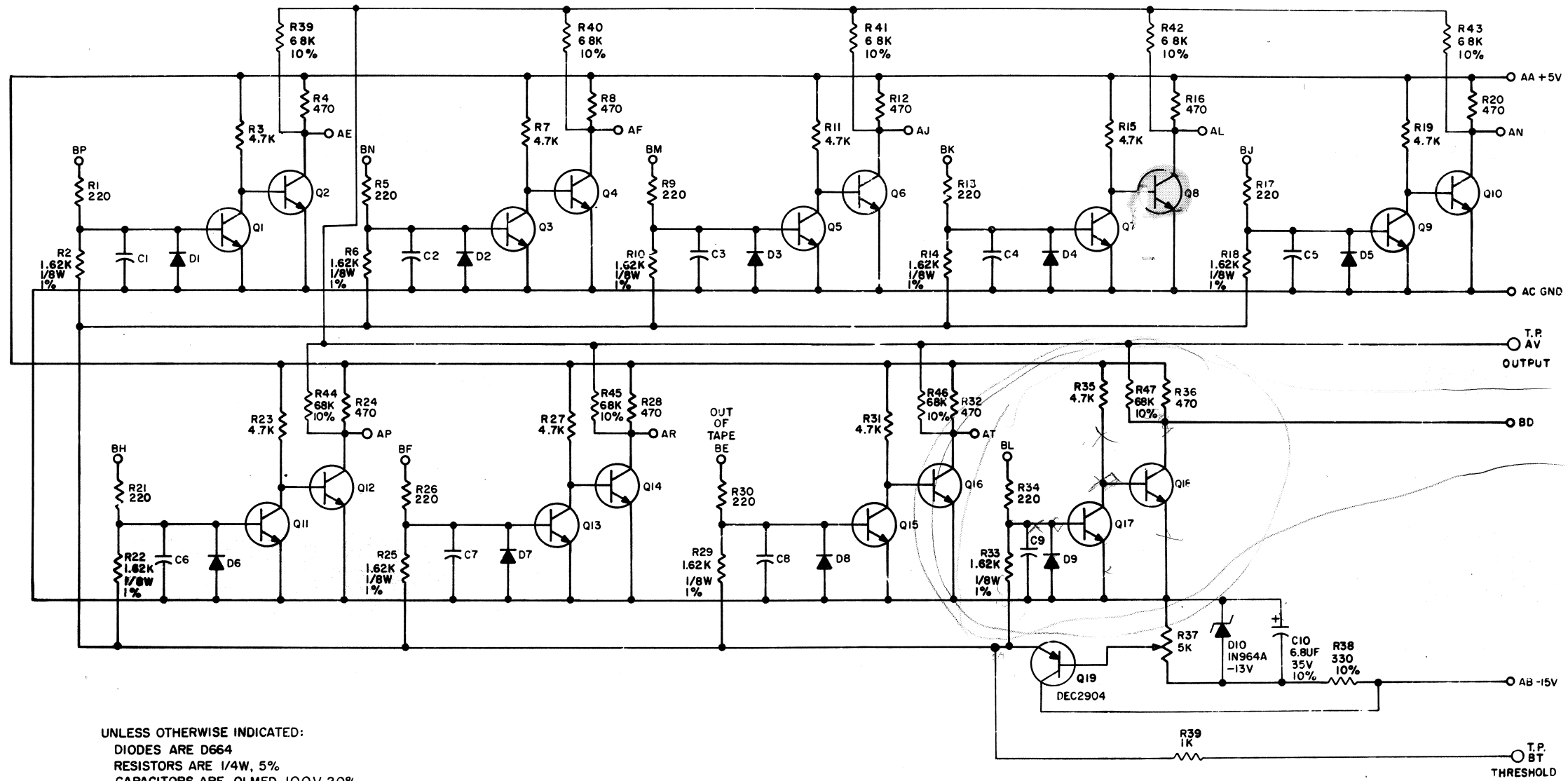
DEC FORM NO. DRD 100

FIRST USED ON OPTION / MODEL
PC05

| | | | |
|---|---|---|---|
| DO NOT SCALE DRAWING UNLESS OTHERWISE SPECIFIED DIMENSION IN INCHES TOLERANCES DECIMALS FRACTIONS ANGLES ±.005 ± 1/64 ± 0'30" FINAL SURFACE QUALITY REMOVE BURRS AND BREAK SHARP CORNERS | DATE 2/24/69 DATE 2/24/69 DATE 7/1/69 DATE 7/1/69 DATE 7/1/69 | DATE 2/24/69 DATE 2/24/69 DATE 7/1/69 DATE 7/1/69 DATE 7/1/69 | DATE 2/24/69 DATE 2/24/69 DATE 7/1/69 DATE 7/1/69 DATE 7/1/69 |
| MATERIAL + + + | NEXT HIGHER ASSY A-ML-PC05-0 | SCALE SHEET 2 OF 2 | REV Z |

| | | | |
|---|-------------|----------|----------|
| QTY. | DESCRIPTION | PART NO. | ITEM NO. |
| PARTS LIST | | | |
| digital EQUIPMENT CORPORATION MAYNARD, MASSACHUSETTS | | | |
| TITLE DRAWING INDEX LIST PC05 | | | |
| SIZE CODE DDI PC05-0-1 | | | |

THIS SCHEMATIC IS FURNISHED ONLY FOR TEST AND MAINTENANCE PURPOSES. THE CIRCUITS ARE PROPRIETARY IN NATURE AND SHOULD BE TREATED ACCORDINGLY. COPYRIGHT 1969 BY DIGITAL EQUIPMENT CORPORATION



UNLESS OTHERWISE INDICATED:
 DIODES ARE D664
 RESISTORS ARE 1/4W, 5%
 CAPACITORS ARE .01 MFD, 100V, 20%
 TRANSISTORS ARE 2N3646
 ○ INDICATES TEST POINT

| REV. NO. | REV. |
|----------|------|
| 00001 | A |
| 00002 | B |
| 00003 | B |

DEC FORM NO. DRC 102

| | | | |
|-------|-----------|------|--------|
| DRN | R. BUTLER | DATE | 9/1/69 |
| CHK'D | | DATE | 9/1/69 |
| ENG. | R.O.? | DATE | 6/1/69 |
| PROD. | | DATE | |

| TRANSISTOR & DIODE CONVERSION CHART | | | |
|-------------------------------------|--------|-------------|--------|
| DEC | EIA | DEC | EIA |
| 2N3646 | 2N3009 | IN964A -13V | SAME |
| D664 | IN3606 | DEC2904 | 2N1132 |

digital
 EQUIPMENT CORPORATION
 MAYNARD, MASSACHUSETTS

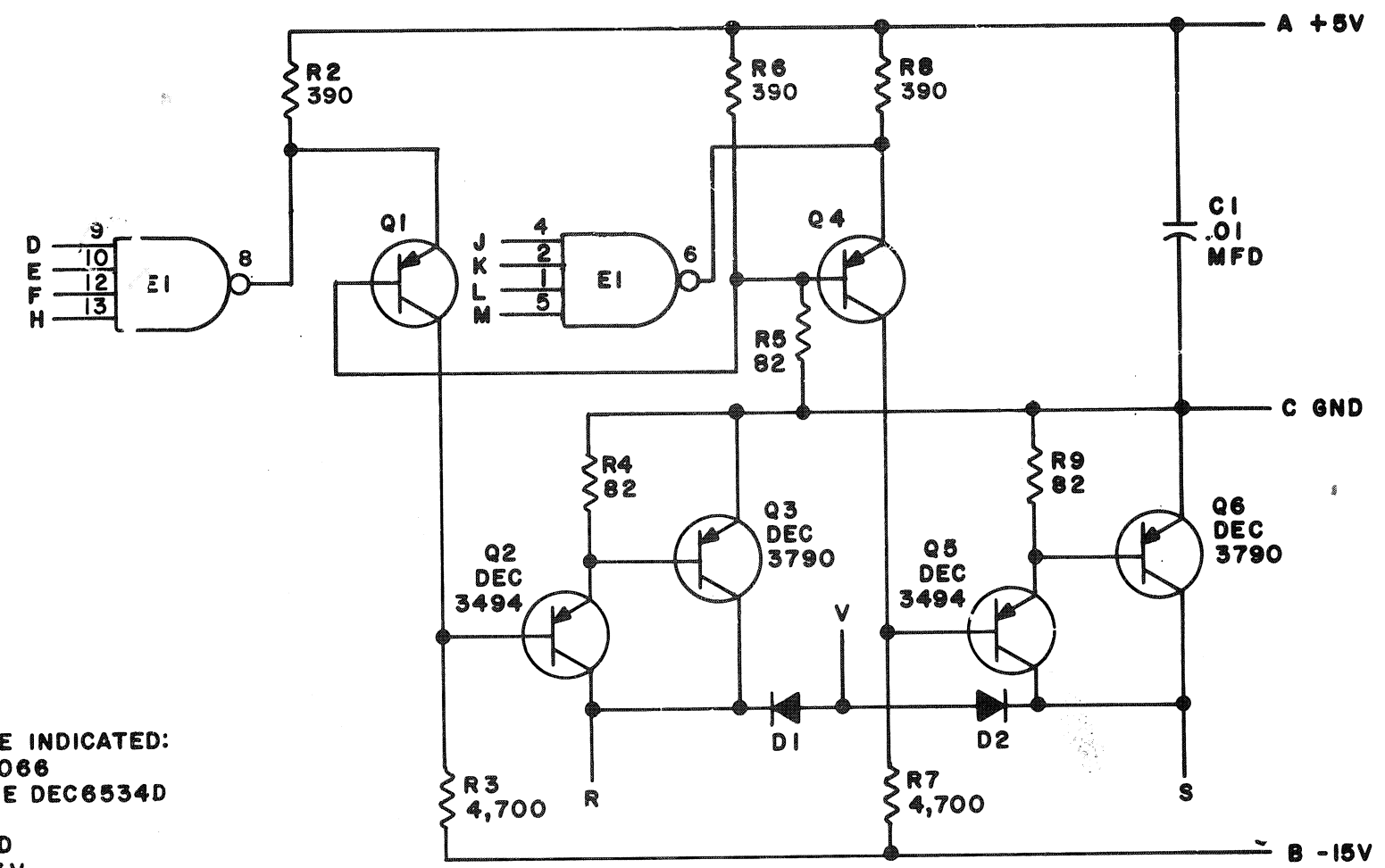
| | | | |
|----------------------|------|---------------------------------|------|
| TITLE | | PHOTO TRANSISTOR AMPLIFIER G918 | |
| SIZE | CODE | NUMBER | REV. |
| C | CS | G918-0-1 | B |
| PRINTED CIRCUIT REV. | | D | |

REV. NUMBER G918-0-1 B

5 324 414 403 P.H.K.

REV. E
 NUMBER M040-0-1
 SIZE B
 CODE CS

THIS SCHEMATIC IS FURNISHED ONLY FOR TEST AND MAINTENANCE PURPOSES. THE CIRCUITS ARE PROPRIETARY IN NATURE AND SHOULD BE TREATED ACCORDINGLY. COPYRIGHT 1967 BY DIGITAL EQUIPMENT CORPORATION



UNLESS OTHERWISE INDICATED:
 DIODES ARE MR2066
 TRANSISTORS ARE DEC6534D
 E1 IS DEC7420N
 PIN 7 ON IC = GND
 PIN 14 ON IC = +5V
 RESISTORS ARE 1/4 W, 10%

PARTS LIST A-PL-M040-0-0

| REVISIONS | CHK | CHG NO | REV |
|-----------|-----|--------|-----|
| | | 00001 | E |
| | | 00002 | |

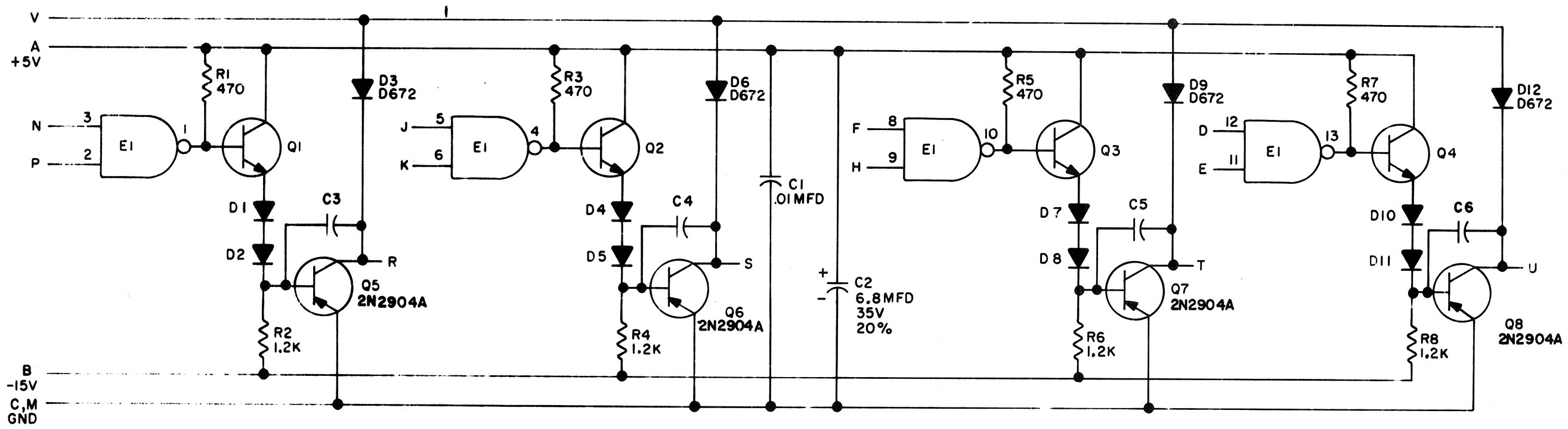
| | |
|-------------------------|-----------------|
| DRN <i>M. Keller</i> | DATE 9-14-67 |
| CHK'D | DATE |
| ENG <i>K. Seagr</i> | DATE 9/14/67 |
| PROD 4 | DATE |

| TRANSISTOR & DIODE CONVERSION CHART | |
|-------------------------------------|---------|
| DEC | EIA |
| DEC3494 | SAME |
| DEC3790 | 2N3790 |
| DEC6534D | MPS6534 |
| D662 | 1N645 |
| MR2066 | 1N4003 |

digital
 EQUIPMENT CORPORATION
 MAYNARD, MASSACHUSETTS

| | | | |
|-------------------------------|------------|--------------------|-----------|
| TITLE SOLENOID DRIVER M040 | | | |
| SIZE B | CODE CS | NUMBER M040-0-1 | REV. E |
| PRINTED CIRCUIT REV. | | | E |

THIS SCHEMATIC IS FURNISHED ONLY FOR TEST AND MAINTENANCE PURPOSES. THE CIRCUITS ARE PROPRIETARY IN NATURE AND SHOULD BE TREATED ACCORDINGLY. COPYRIGHT 1969 BY DIGITAL EQUIPMENT CORPORATION



UNLESS OTHERWISE INDICATED
 RESISTORS ARE 1/4W, 10%
 DIODES ARE D664
 E1 IS DEC7401N
 TRANSISTORS ARE DEC3009B
 PIN 7 ON EACH IC = GND
 PIN 14 ON EACH IC = +5V
 CAPACITORS ARE 100pf, 100V, 5%

| REVISIONS | CHK | CHG NO | REV | B | C |
|-----------|-----|--------|-----|---|---|
| | | | | | |
| | | | | | |

| | |
|-------|------|
| DRN | DATE |
| CHK'D | DATE |
| ENG | DATE |
| PROD | DATE |

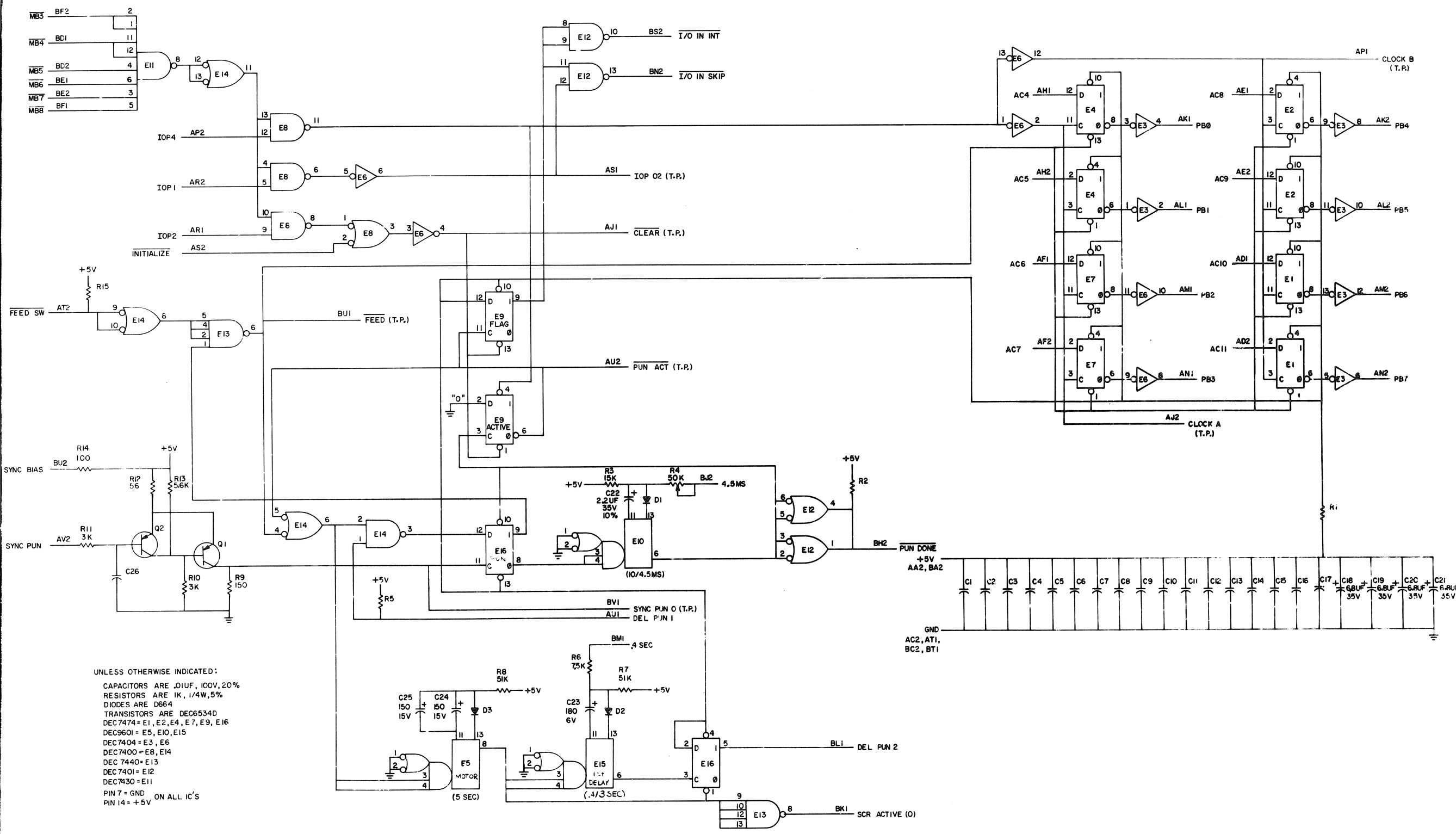
| TRANSISTOR & DIODE CONVERSION CHART | | | |
|-------------------------------------|--------|-----|--|
| DEC | | EIA | |
| D664 | IN3606 | | |
| 2N2904A | 2N2904 | | |
| DEC3009B | 2N3009 | | |

digital
 EQUIPMENT CORPORATION
 MAYNARD, MASSACHUSETTS

| | | | |
|---------------------------------------|------------|--------------------|----------|
| TITLE 4-100MA SOLENOID DRIVER M044 | | | |
| SIZE B | CODE CS | NUMBER M044-0-1 | REV C |
| PRINTED CIRCUIT REV | | | B |



THIS SCHEMATIC IS FURNISHED ONLY FOR TEST AND MAINTENANCE PURPOSES. THE CIRCUITS ARE PROPRIETARY IN NATURE AND SHOULD BE TREATED ACCORDINGLY. COPYRIGHT 1970 BY DIGITAL EQUIPMENT CORPORATION.



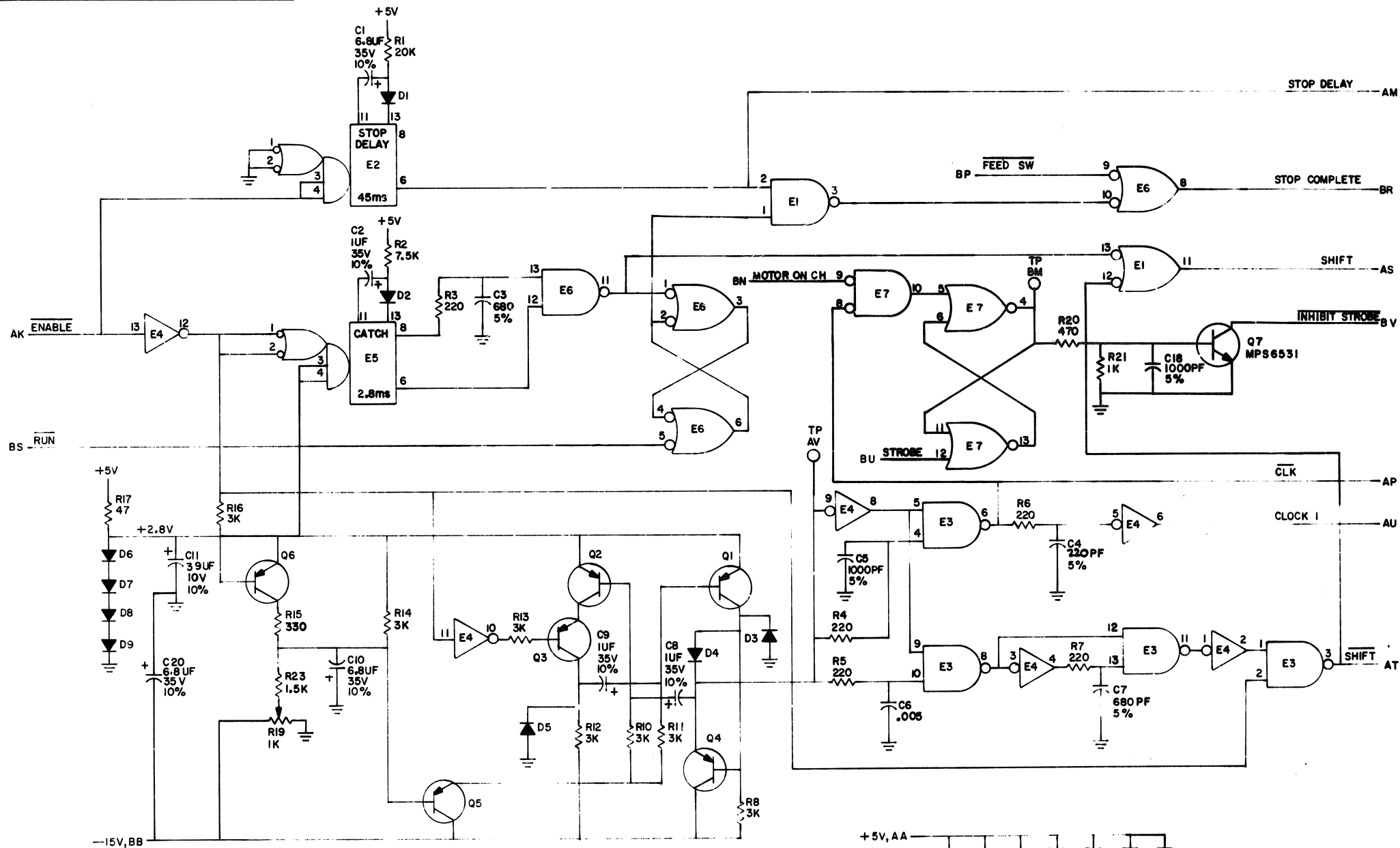
UNLESS OTHERWISE INDICATED:
 CAPACITORS ARE .01UF, 100V, 20%
 RESISTORS ARE 1K, 1/4W, 5%
 DIODES ARE D664
 TRANSISTORS ARE DEC6534D
 DEC7474 = E1, E2, E4, E7, E9, E16
 DEC9601 = E5, E10, E15
 DEC7404 = E3, E6
 DEC7400 = E8, E14
 DEC7440 = E13
 DEC7401 = E12
 DEC7430 = E11
 PIN 7 = GND ON ALL IC'S
 PIN 14 = +5V

| REV | DATE | BY | CHKD |
|-----|-------|----|------|
| 1 | 00005 | H | J |
| 2 | 00006 | J | K |
| 3 | 00007 | K | |

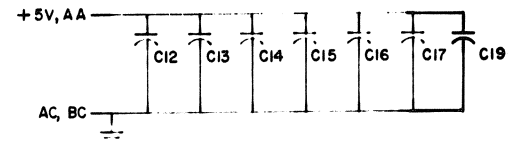
| TRANSISTOR & DIODE CONVERSION CHART | | | |
|-------------------------------------|--------|-----|-----|
| DEC | EIA | DEC | EIA |
| D664 | IN3606 | | |
| DEC6534D | NONE | | |

| | | | |
|-----------------------|------|---------------------|-----|
| TITLE | | PUNCH CONTROL M710 | |
| SIZE | CODE | NUMBER | REV |
| D | CS | M710-0-1 | K |
| EQUIPMENT CORPORATION | | PRINTED CIRCUIT REV | |

THIS SCHEMATIC IS FURNISHED ONLY FOR TEST AND MAINTENANCE PURPOSES. THE CIRCUITS ARE PROPRIETARY IN NATURE AND SHOULD BE TREATED ACCORDINGLY. COPYRIGHT 1967 BY DIGITAL EQUIPMENT CORPORATION



UNLESS OTHERWISE INDICATED:
 TRANSISTORS = DEC6534D
 DIODES = D664
 RESISTORS = 1/4W, 5%
 CAPACITORS = .01UF, 100V, 20%
 E1, E3, E6 = DEC7400
 E4 = DEC7404
 E2, E5 = DEC9601
 PIN 7 = GND ON ALL IC'S
 PIN 14 = +5V
 E7 = DEC7402



REV L
 NUMBER M715-C-1
 SIZE CODE C CS

| REV | NO | CHG | BY |
|-----|-------|------------|----|
| E | 00002 | AV | |
| K | 00006 | REV & REDR | |
| L | 00007 | & CANCELS | |
| | 00008 | ECD | |

| | | | |
|-------|--------------|------|----------|
| DRN | M. HALLER | DATE | 10/16/67 |
| CHK'D | R. SILVERMAN | DATE | 11/2/67 |
| ENG | R. G. SOGGE | DATE | 11/2/67 |
| PROD | | DATE | |

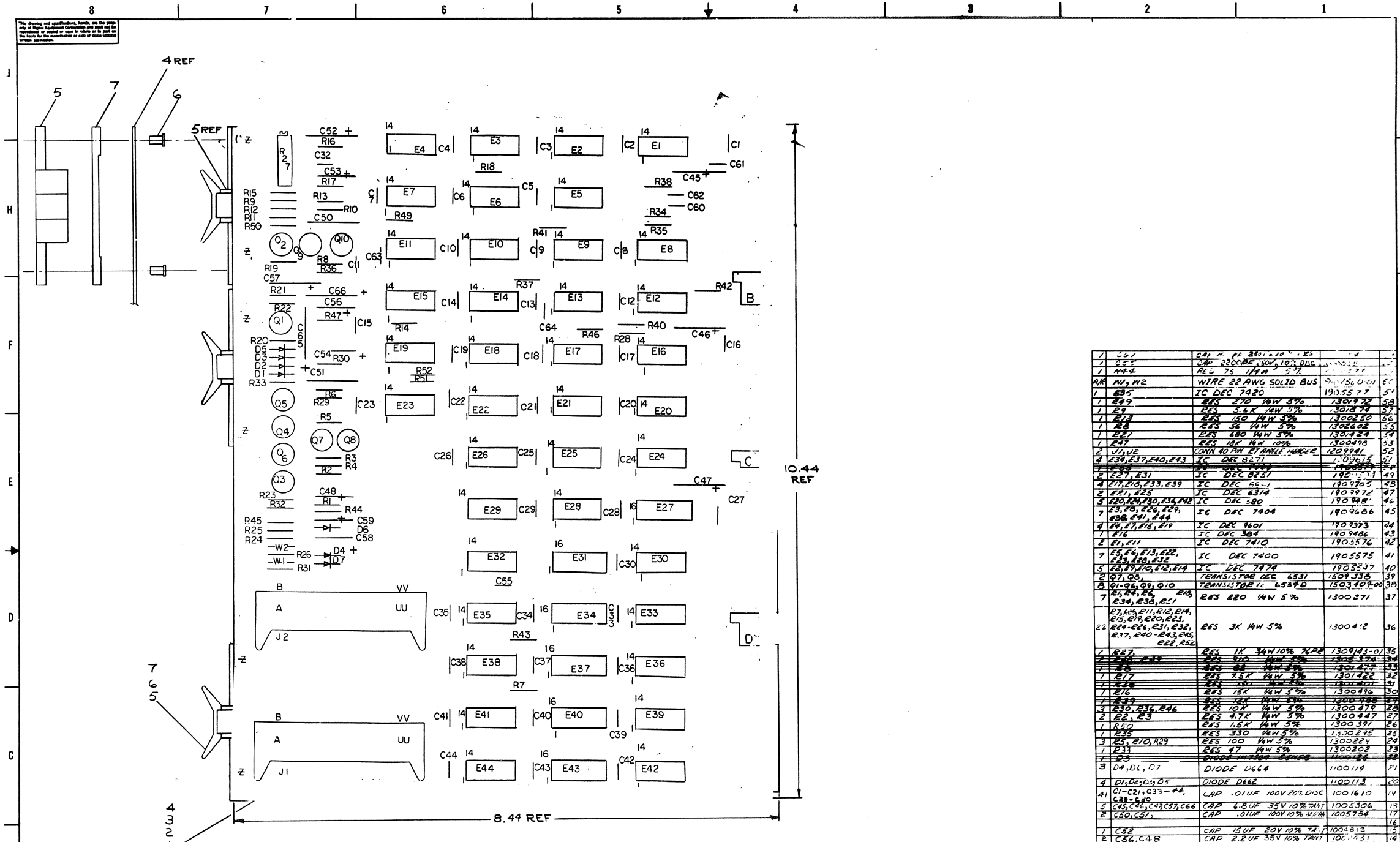
| TRANSISTOR & DIODE CONVERSION CHART | | | |
|-------------------------------------|---------|-------|------|
| DEC | EIA | DEC | EIA |
| DEC6534D | MPS6534 | IN758 | SAME |
| D664 | IN3606 | | |
| DEC6531 | MPS6531 | | |

digital EQUIPMENT CORPORATION
 MAYNARD, MASSACHUSETTS

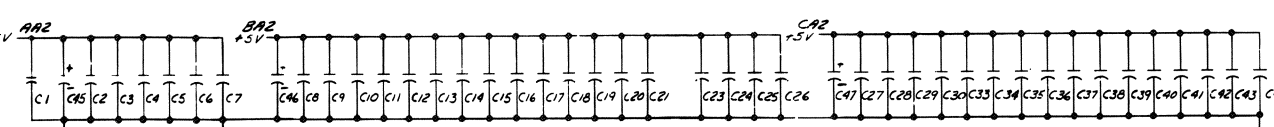
TITLE: **READER CLOCK M715**

SIZE: C CS
 NUMBER: M715-0-1
 REV: L

PRINTED CIRCUIT REV: F



| | | | | | |
|-------------------------------------|-----|--|-------|----|------|
| IC 384 | 1 | 8 | | | |
| IC 6314 | 1 | 8 | | | |
| IC 8271 | 8 | 16 | | | |
| IC 380 | 1 | 8 | 59 | 22 | ME-A |
| K TYPE | | GND | +5V | 59 | 22 |
| K PIN LOCATIONS | | JUMPER LIST | | | |
| GND AND 5V ARE USUALLY PIN 7 AND 14 | | RESPECTFULLY EXCEPTIONS ARE STATED ABOVE | | | |
| ITEM NO | ANG | FROM PT | TO PT | | |



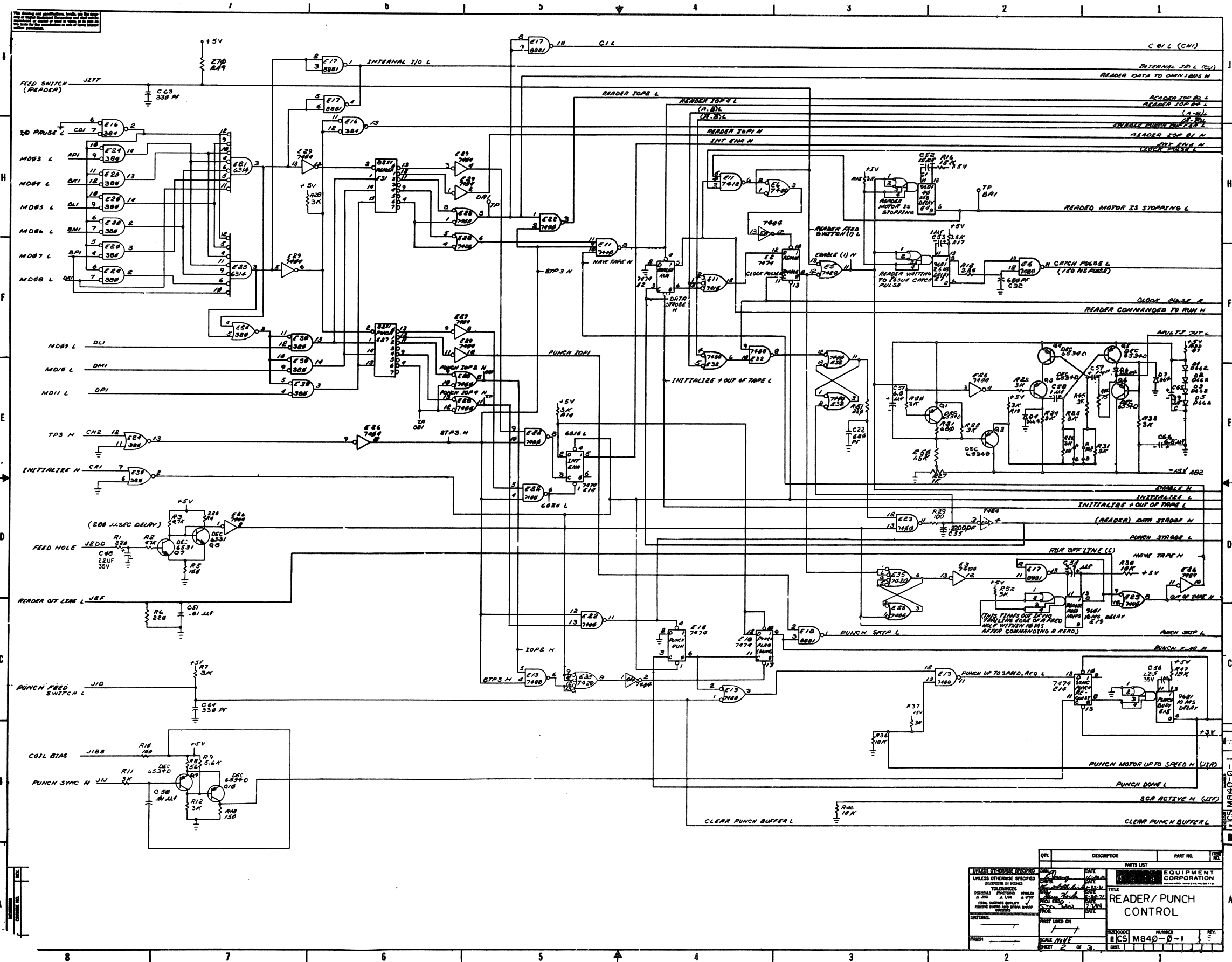
U-P-N-C A B C D E K L N P S U M Y
 A A L L E E N N K K M M N N P P R R S S T T U U V V
 2 P-N-S A B C D E H J K L N P S U V Y
 A A C C E E H H K K M M P P S S U U V V

ALL C, E, N, T PINS EXCEPT A1

| QTY. | REF DESIGNATION | DESCRIPTION | PART NO. | ITEM NO. |
|------|-----------------|---------------------------|---------------|----------|
| 1 | C31 | CAP 10UF 10V 10% TAN | 1000113 | 16 |
| 1 | C32 | CAP 15UF 20V 10% TAN | 1000812 | 15 |
| 1 | C33 | CAP 2.2UF 35V 10% TAN | 1000131 | 14 |
| 1 | C34 | CAP 1UF 35V 10% TAN | 1001176 | 13 |
| 1 | C35 | CAP 39UF 10V 10% TAN | 1000076 | 12 |
| 1 | C36 | CAP 3.9UF 10V 10% TAN | 1000064 | 11 |
| 1 | C37 | CAP 1000PF 100V 5% MICA | 1000042 | 10 |
| 1 | C38 | CAP 680PF 100V 5% TAN | 1000026 | 9 |
| 1 | C39 | CAP 330PF 100V 5% TAN | 1000023 | 8 |
| 1 | C40 | SPACER (CABLE CLAMP) | 1202704 | 7 |
| 1 | C41 | EYELET GS4-11 STIMPSON | 9000750 | 6 |
| 1 | C42 | HANDLE FLIP CHIP-MAGENTA | 900337-06 | 5 |
| 1 | C43 | ETCHED CIRCUIT BOARD | 8003818 | 4 |
| 1 | C44 | MODULE HISTORY LIST | 8-AM-M840-0-1 | 3 |
| 1 | C45 | ASSY/DRILLING HOLE LAYOUT | D-AM-M840-0-2 | 2 |
| 1 | C46 | X-Y COORDINATE HOLE LOC. | K-CO-M840-0-1 | 1 |

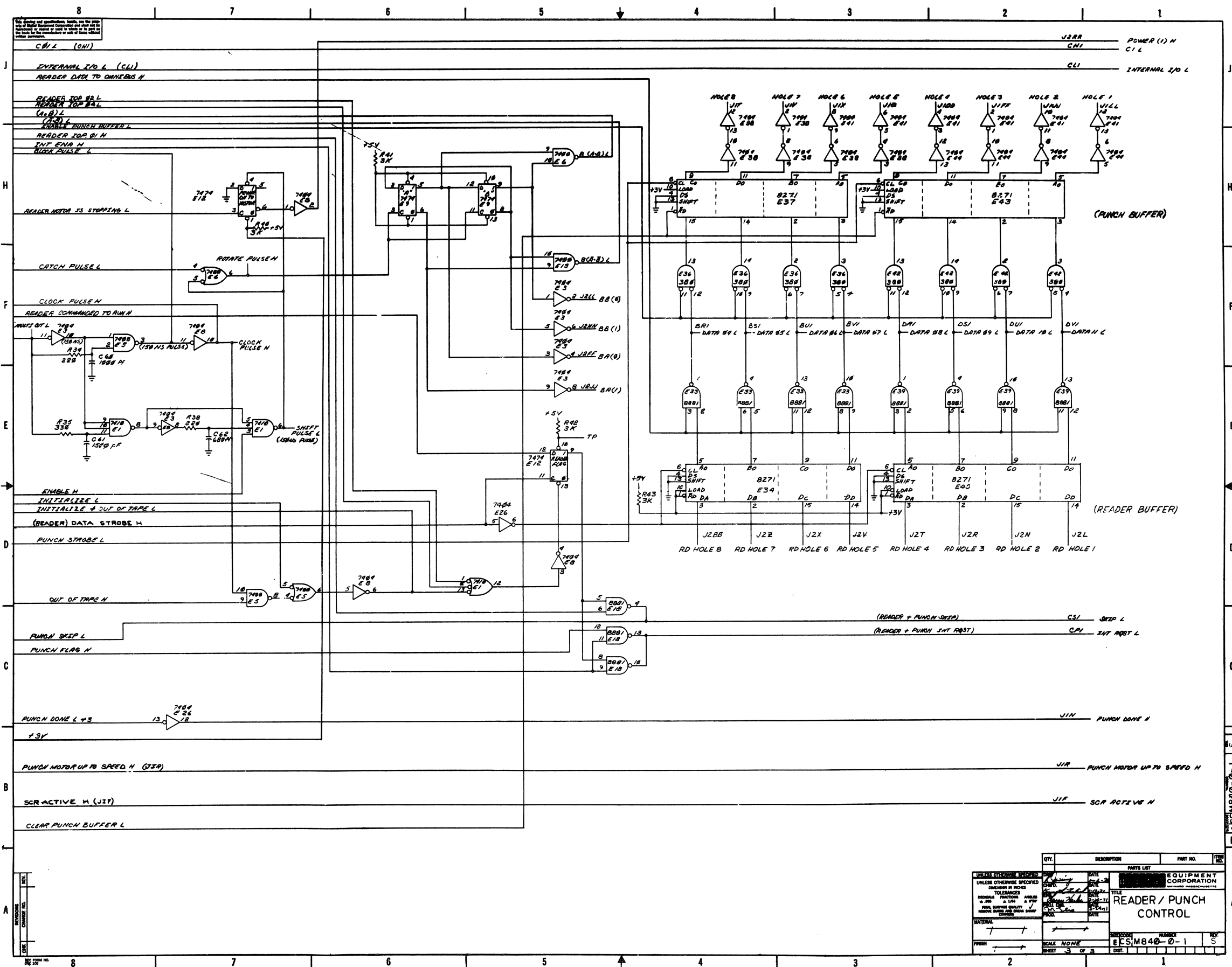
| | | | |
|---------|---------|--|--|
| IC 384 | MP56531 | | |
| IC 6314 | MP56534 | | |
| IC 8271 | | | |
| IC 380 | | | |
| D664 | IN3606 | | |
| D662 | IN645 | | |

| | | | |
|--------------------------------|---|--|--|
| ETCH BOARD REV | K | | |
| EQUIPMENT CORPORATION | | | |
| READER/PUNCH CONTROL | | | |
| 8-AM-M840-0-1 | | | |
| SEMICONDUCTOR CONVERSION CHART | | | |
| SHEET 1 OF 3 | | | |



| QTY. | DESCRIPTION | PART NO. | REV. |
|------|-------------|----------|------|
| 1 | 7400 | 7400 | 1 |
| 1 | 7474 | 7474 | 1 |
| 1 | 7420 | 7420 | 1 |
| 1 | 7430 | 7430 | 1 |
| 1 | 7432 | 7432 | 1 |
| 1 | 7434 | 7434 | 1 |
| 1 | 7435 | 7435 | 1 |
| 1 | 7436 | 7436 | 1 |
| 1 | 7437 | 7437 | 1 |
| 1 | 7438 | 7438 | 1 |
| 1 | 7439 | 7439 | 1 |
| 1 | 7440 | 7440 | 1 |
| 1 | 7441 | 7441 | 1 |
| 1 | 7442 | 7442 | 1 |
| 1 | 7443 | 7443 | 1 |
| 1 | 7444 | 7444 | 1 |
| 1 | 7445 | 7445 | 1 |
| 1 | 7446 | 7446 | 1 |
| 1 | 7447 | 7447 | 1 |
| 1 | 7448 | 7448 | 1 |
| 1 | 7449 | 7449 | 1 |
| 1 | 7450 | 7450 | 1 |
| 1 | 7451 | 7451 | 1 |
| 1 | 7452 | 7452 | 1 |
| 1 | 7453 | 7453 | 1 |
| 1 | 7454 | 7454 | 1 |
| 1 | 7455 | 7455 | 1 |
| 1 | 7456 | 7456 | 1 |
| 1 | 7457 | 7457 | 1 |
| 1 | 7458 | 7458 | 1 |
| 1 | 7459 | 7459 | 1 |
| 1 | 7460 | 7460 | 1 |
| 1 | 7461 | 7461 | 1 |
| 1 | 7462 | 7462 | 1 |
| 1 | 7463 | 7463 | 1 |
| 1 | 7464 | 7464 | 1 |
| 1 | 7465 | 7465 | 1 |
| 1 | 7466 | 7466 | 1 |
| 1 | 7467 | 7467 | 1 |
| 1 | 7468 | 7468 | 1 |
| 1 | 7469 | 7469 | 1 |
| 1 | 7470 | 7470 | 1 |
| 1 | 7471 | 7471 | 1 |
| 1 | 7472 | 7472 | 1 |
| 1 | 7473 | 7473 | 1 |
| 1 | 7474 | 7474 | 1 |
| 1 | 7475 | 7475 | 1 |
| 1 | 7476 | 7476 | 1 |
| 1 | 7477 | 7477 | 1 |
| 1 | 7478 | 7478 | 1 |
| 1 | 7479 | 7479 | 1 |
| 1 | 7480 | 7480 | 1 |
| 1 | 7481 | 7481 | 1 |
| 1 | 7482 | 7482 | 1 |
| 1 | 7483 | 7483 | 1 |
| 1 | 7484 | 7484 | 1 |
| 1 | 7485 | 7485 | 1 |
| 1 | 7486 | 7486 | 1 |
| 1 | 7487 | 7487 | 1 |
| 1 | 7488 | 7488 | 1 |
| 1 | 7489 | 7489 | 1 |
| 1 | 7490 | 7490 | 1 |
| 1 | 7491 | 7491 | 1 |
| 1 | 7492 | 7492 | 1 |
| 1 | 7493 | 7493 | 1 |
| 1 | 7494 | 7494 | 1 |
| 1 | 7495 | 7495 | 1 |
| 1 | 7496 | 7496 | 1 |
| 1 | 7497 | 7497 | 1 |
| 1 | 7498 | 7498 | 1 |
| 1 | 7499 | 7499 | 1 |
| 1 | 7500 | 7500 | 1 |

UNLESS OTHERWISE SPECIFIED
 EQUIPMENT CORPORATION
 TITLE
 READER/PUNCH CONTROL
 NUMBER
 E C S M 840-D-1
 DATE
 PART USED ON
 PART NAME
 PART 2 OF 3

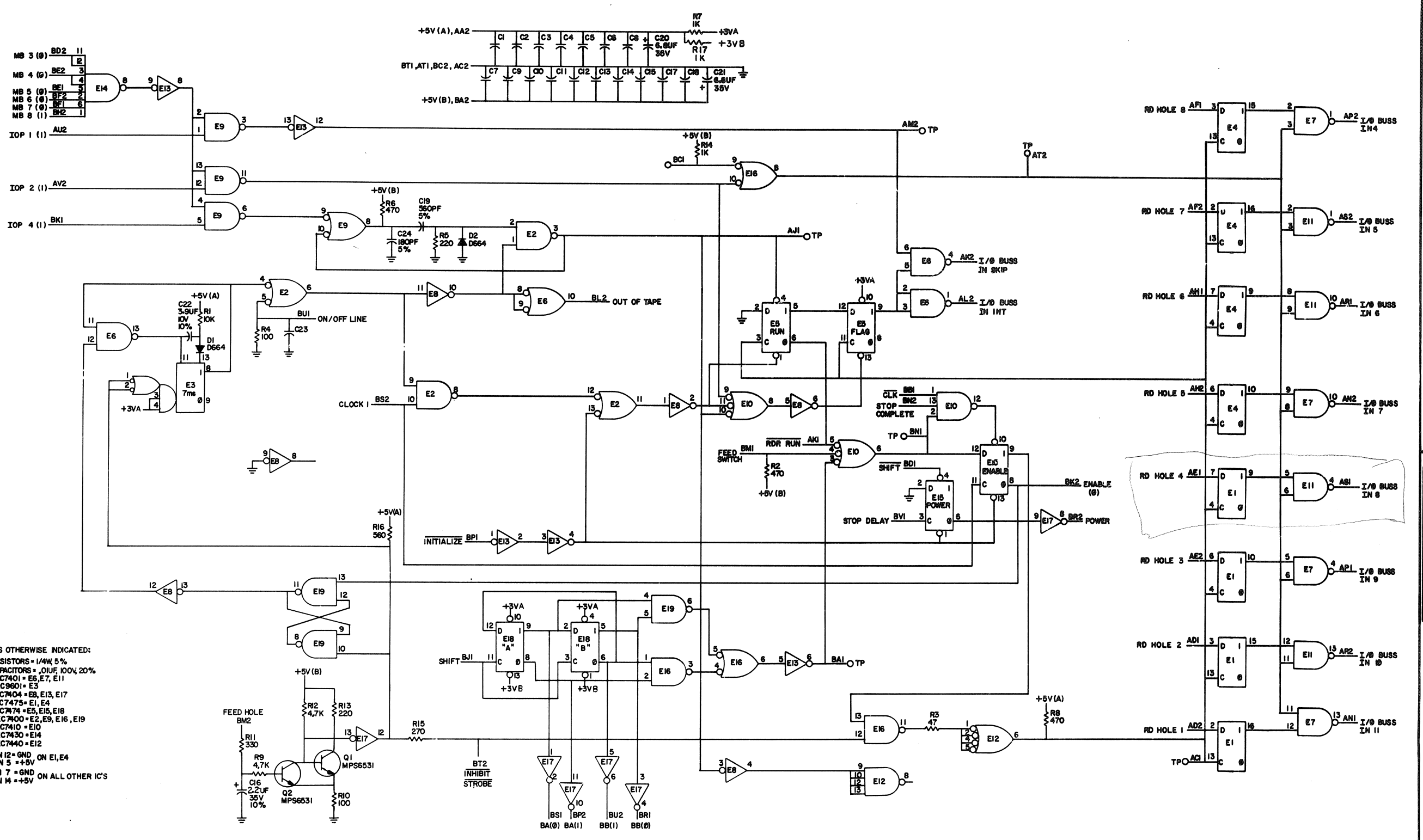


| UNLESS OTHERWISE SPECIFIED | | PARTS LIST | |
|----------------------------|-------------|------------|------|
| QTY | DESCRIPTION | PART NO. | REF. |
| 1 | 8271 | 8271 | |
| 1 | 8272 | 8272 | |
| 1 | 8273 | 8273 | |
| 1 | 8274 | 8274 | |
| 1 | 8275 | 8275 | |
| 1 | 8276 | 8276 | |
| 1 | 8277 | 8277 | |
| 1 | 8278 | 8278 | |
| 1 | 8279 | 8279 | |
| 1 | 8280 | 8280 | |
| 1 | 8281 | 8281 | |
| 1 | 8282 | 8282 | |
| 1 | 8283 | 8283 | |
| 1 | 8284 | 8284 | |
| 1 | 8285 | 8285 | |
| 1 | 8286 | 8286 | |
| 1 | 8287 | 8287 | |
| 1 | 8288 | 8288 | |
| 1 | 8289 | 8289 | |
| 1 | 8290 | 8290 | |
| 1 | 8291 | 8291 | |
| 1 | 8292 | 8292 | |
| 1 | 8293 | 8293 | |
| 1 | 8294 | 8294 | |
| 1 | 8295 | 8295 | |
| 1 | 8296 | 8296 | |
| 1 | 8297 | 8297 | |
| 1 | 8298 | 8298 | |
| 1 | 8299 | 8299 | |
| 1 | 8300 | 8300 | |

EQUIPMENT CORPORATION
 TITLE: READER/PUNCH CONTROL
 NUMBER: ECSI840-0-1
 SCALE: NONE
 SHEET: 3 OF 3

THIS SCHEMATIC IS FURNISHED ONLY FOR TEST AND MAINTENANCE PURPOSES. THE CIRCUITS AND PROPRIETARY IN NATURE AND SHOULD BE TREATED ACCORDINGLY. COPYRIGHT 1978 BY DIGITAL EQUIPMENT CORPORATION

0 1-0-090LW 10 8



UNLESS OTHERWISE INDICATED:
 RESISTORS - 1/4W 5%
 CAPACITORS - 0.1UF 100V 20%
 DEC7401 = E5, E7, E11
 DEC9601 = E3
 DEC7404 = E8, E13, E17
 DEC7475 = E1, E4
 DEC7474 = E5, E15, E18
 DEC7400 = E2, E9, E16, E19
 DEC7410 = E10
 DEC7450 = E14
 DEC7440 = E12
 PIN 12 = GND ON E1, E4
 PIN 5 = +5V
 PIN 7 = GND ON ALL OTHER IC'S
 PIN 14 = +5V

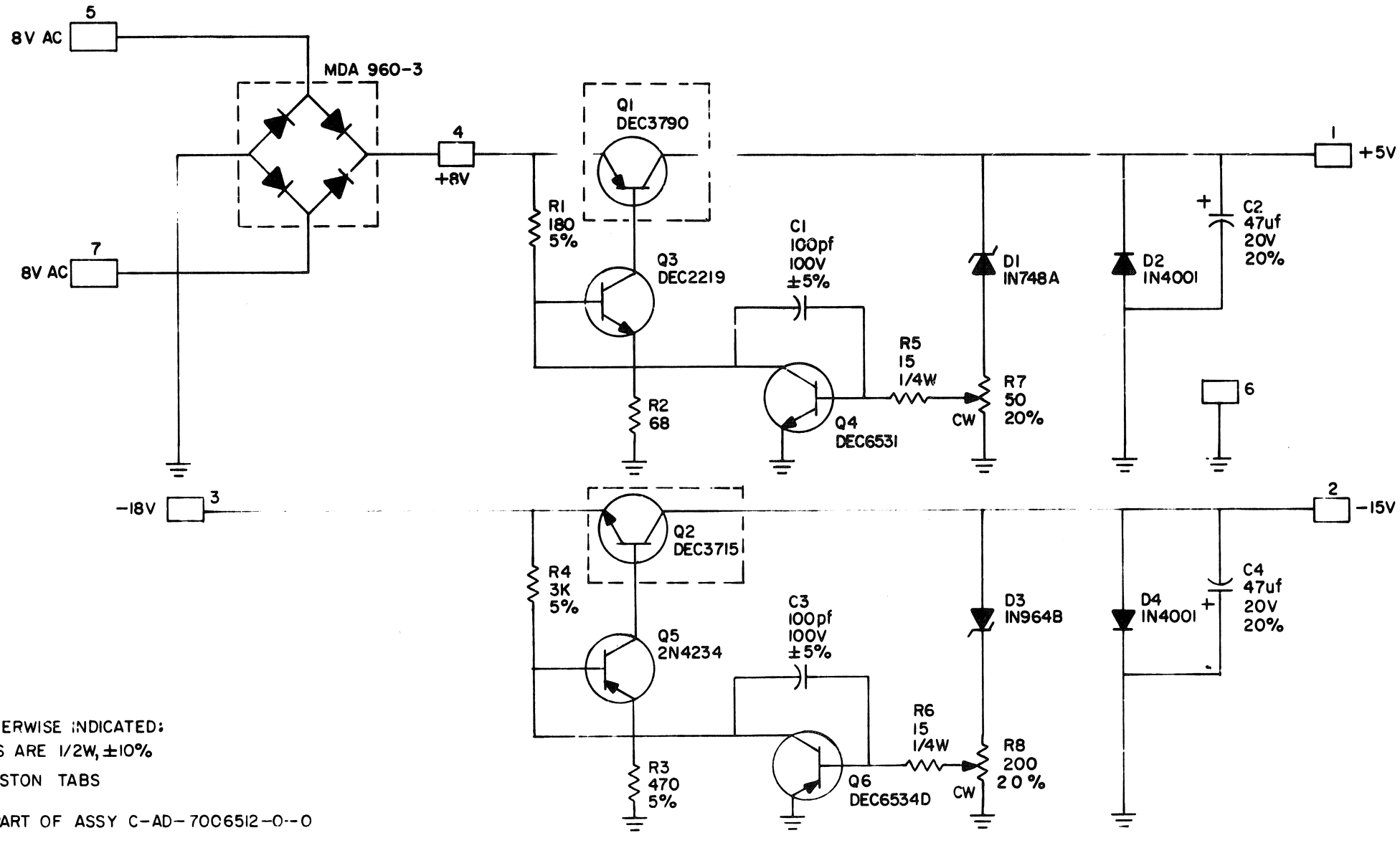
| REV | DATE | BY | CHKD |
|-----|----------|-----|------|
| 1 | 11/17/77 | ... | ... |
| 2 | 12/22/77 | ... | ... |
| 3 | 1/11/78 | ... | ... |

| TRANSISTOR & DIODE CONVERSION CHART | | | |
|-------------------------------------|--------|--------|--------|
| DEC | EIA | DEC | EIA |
| MP28831 | MP2431 | 1N4004 | 1N4001 |

| | | | |
|-----------------------|---------|------------------|-------|
| EQUIPMENT CORPORATION | | READER CONTROL | |
| SIZE D | CASE CS | NUMBER M7050-0-1 | REV E |

M7050-0-1

THIS SCHEMATIC IS FURNISHED ONLY FOR TEST AND MAINTENANCE PURPOSES. THE CIRCUITS ARE PROPRIETARY IN NATURE AND SHOULD BE TREATED ACCORDINGLY. COPYRIGHT 1970 BY DIGITAL EQUIPMENT CORPORATION



UNLESS OTHERWISE INDICATED:
RESISTORS ARE 1/2W, ±10%

□ = FASTON TABS

□ = PART OF ASSY C-AD-7006512-0--0

| REV | CHG NO | CHK |
|-----|--------|-----|
| | | |
| | | |

| | |
|-------------|--------|
| DRN | DATE |
| WALLY MOORE | 7/8/70 |
| CHK'D | DATE |
| | |
| ENG | DATE |
| | |
| PROD | DATE |
| | |

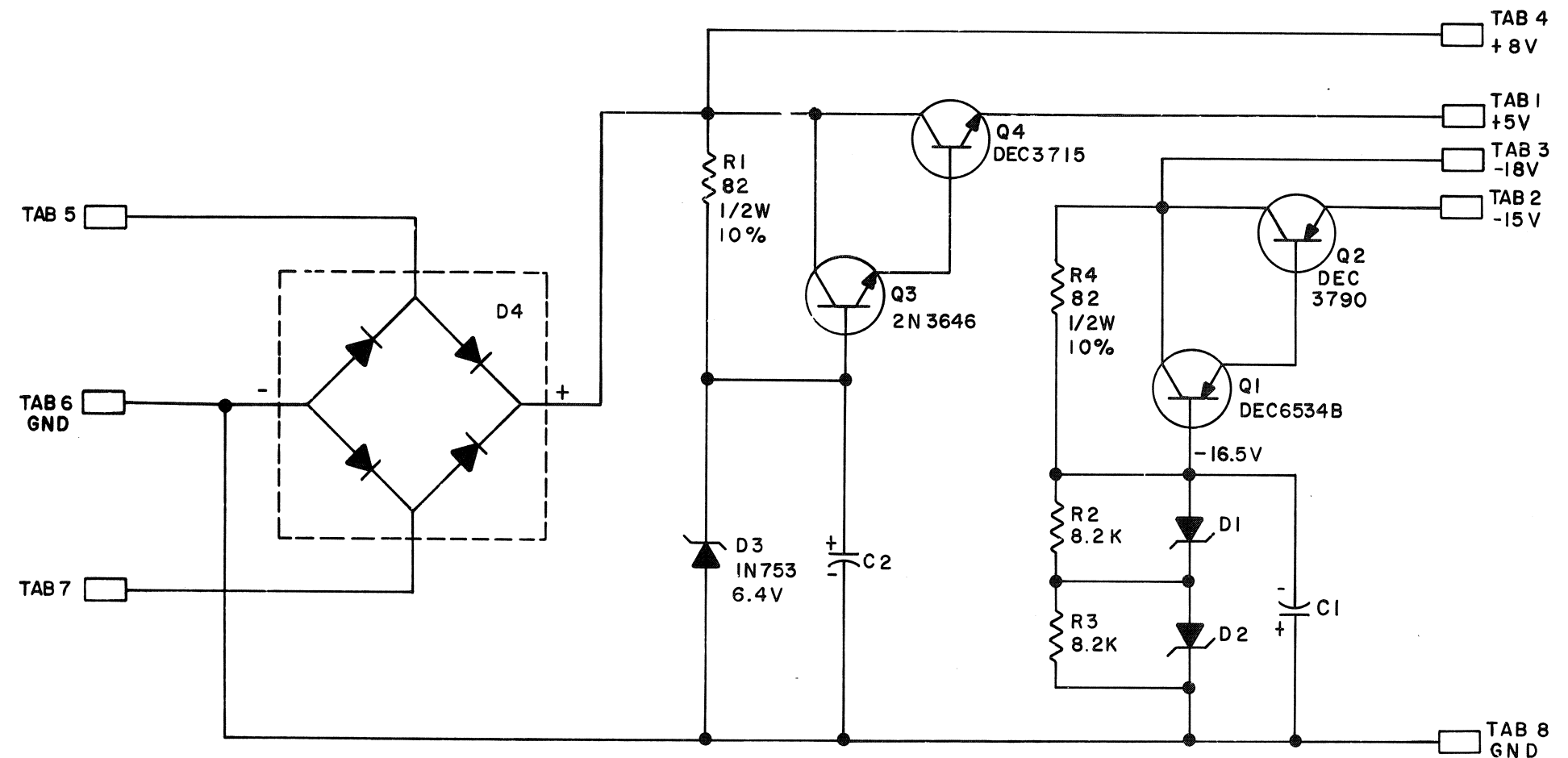
| TRANSISTOR & DIODE CONVERSION CHART | | | |
|-------------------------------------|---------|---------|---------|
| DEC | EIA | DEC | FIA |
| DEC3790-2 | 2N3790 | DEC653I | MPS653I |
| DEC2219 | 2N2219 | IN748A | SAME |
| DEC3715 | 2N3715 | IN964B | SAME |
| 2N4234 | 2N4234 | IN400I | SAME |
| DEC6534D | MP96534 | | |

digital
EQUIPMENT CORPORATION
MAYNARD, MASSACHUSETTS

| | | | |
|---------------------|------|---------------|-----|
| TITLE | | PCO REGULATOR | |
| | | 5408918 | |
| SIZE | CODE | NUMBER | REV |
| B | CS | 5408918-0-1 | A |
| PRINTED CIRCUIT REV | | | B |

REV. C
 NUMBER 5408308-0-1
 SIZE B
 CODE CS

THIS SCHEMATIC IS FURNISHED ONLY FOR TEST AND MAINTENANCE PURPOSES. THE CIRCUITS ARE PROPRIETARY IN NATURE AND SHOULD BE TREATED ACCORDINGLY. COPYRIGHT 1969 BY DIGITAL EQUIPMENT CORPORATION



UNLESS OTHERWISE INDICATED:
 CAPACITORS ARE 6.8 MFD 35V 20%
 DIODES ARE IN756A, 8.2V
 D4 IS MDA960-3
 RESISTORS ARE 1/4 W 5%
 TABS ARE AMP 41290

| REV. | CHG. NO. | CHK. |
|------|----------|------|
| A | 00001 | |
| B | 00002 | |
| C | 00003 | |

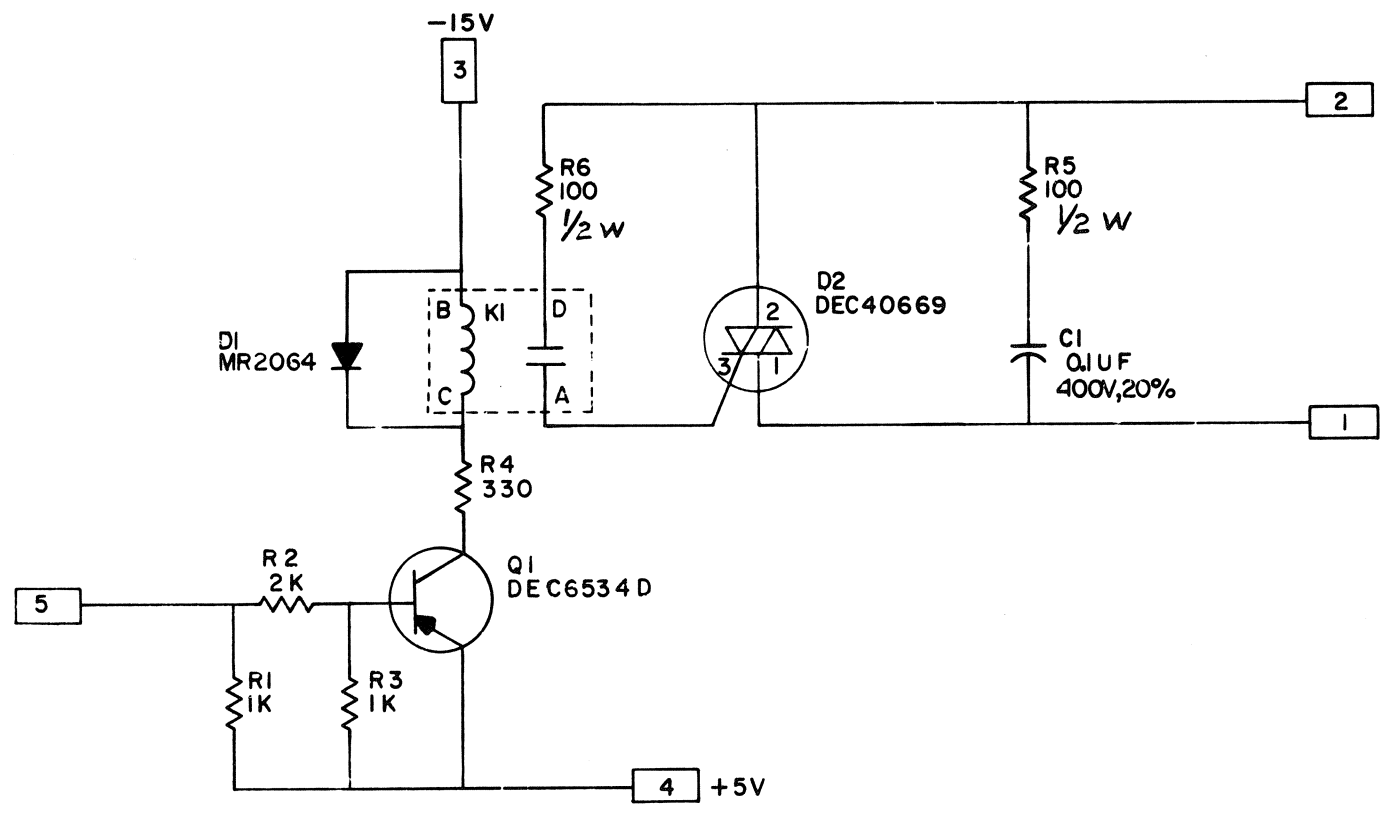
| | |
|-------------------------|-----------------|
| DRN <i>R. F. ...</i> | DATE 3-31-69 |
| CHK'D <i>M. ...</i> | DATE 4-1-69 |
| ENG <i>...</i> | DATE 2-14-69 |
| PROD. | DATE |

| TRANSISTOR & DIODE CONVERSION CHART | | | |
|-------------------------------------|---------|--------|--------|
| DEC | EIA | DEC | EIA |
| IN753 | SAME | 2N3646 | 2N3009 |
| IN756A | SAME | | |
| DEC3790 | 2N3790 | | |
| DEC6534B | MPS6534 | | |
| DEC3715 | NONE | | |

digital
 EQUIPMENT CORPORATION
 MAYNARD, MASSACHUSETTS

| | | | |
|---|------------|-----------------------|-----------|
| TITLE PCO POWER SUPPLY REGULATOR 5408308 | | | |
| SIZE B | CODE CS | NUMBER 5408308-0-1 | REV. C |
| PRINTED CIRCUIT REV. | | | D |

THIS SCHEMATIC IS FURNISHED ONLY FOR TEST AND MAINTENANCE PURPOSES. THE CIRCUITS ARE PROPRIETARY IN NATURE AND SHOULD BE TREATED ACCORDINGLY. COPYRIGHT 1969 BY DIGITAL EQUIPMENT CORPORATION



UNLESS OTHERWISE INDICATED:
 RELAY IS DEC40034
 TABS ARE AMP. # 41290
 RESISTORS ARE 1/4 W, 5%

| | | | | | | | | | | |
|---------------------|----------------|--------------|----------|-------------------------------------|-----|---|----------------------|------|-------------|-----|
| REVISIONS | CHK CHG NO REV | DRN | DATE | TRANSISTOR & DIODE CONVERSION CHART | | EQUIPMENT CORPORATION MAYNARD, MASSACHUSETTS | TITLE | | | |
| | REV & REDR | T.A. NALETTE | 6-24-69 | DEC | EIA | | TRIAC SW ASSY (PC05) | | | |
| | 00001 B | ENG | 11-19-69 | DEC | FIA | | SIZE | CODE | NUMBER | REV |
| | | PROD | | | | | B | CS | 5408384-0-1 | B |
| DEC FORM NO DRB 102 | | | | | | PRINTED CIRCUIT REV | | B | | |

8

7

6

5

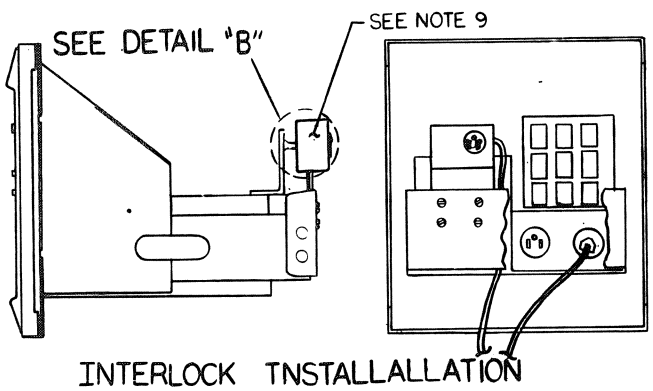
4

3

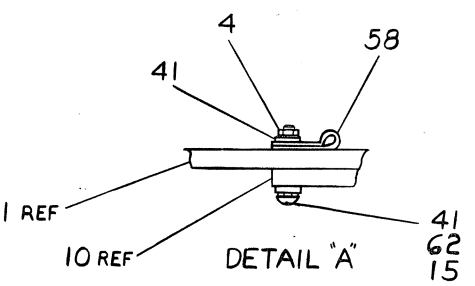
2

1

This drawing and specifications herein are the property of Digital Equipment Corporation and shall not be reproduced or used in whole or in part as the basis for the manufacture or sale of items without written permission.



INTERLOCK INSTALLATION

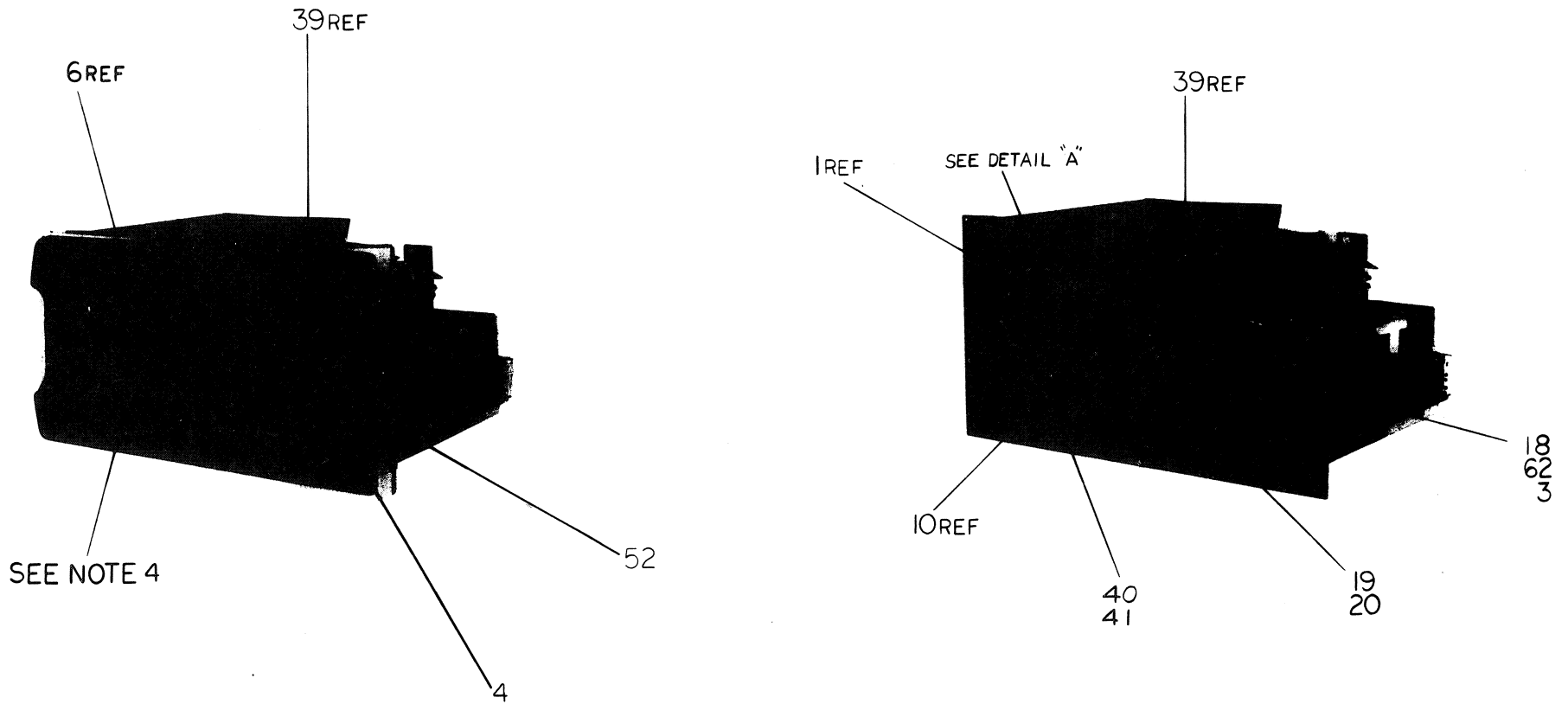


DETAIL "A"

| LEGEND | | |
|---------|-----------|-----------------------|
| MODEL | VARIATION | |
| | CY | COMPOSITION |
| PC05-C | 60 | READER PUNCH & DRIVER |
| PC05-CA | 50 | READER PUNCH & DRIVER |
| PC05-P | 60 | PUNCH |
| PC05-PA | 50 | PUNCH |
| PC05-R | | READER |

NOTES:

1. WIRING OF SWITCHES VARIES DEPENDING ON UNIT MODEL BEING BUILT, FOR SWITCH CONFIGURATION, FOR WIRING PURPOSES SEE DETAIL "A" FOR MODEL "C" AND "CA", DETAIL B FOR MODEL "P" AND "PA", AND DETAIL "C" FOR MODEL "R"; 50 60 CY HAS NO EFFECT.
2. IF THE TRIAC DRIVER UNIT IS USED, THIS WIRE WILL CONNECT TO TRIAC DRIVER TERMINAL T1. IF THE UNIT IS NOT USED, THIS WIRE WILL CONNECT TO TS-6 AND END. FOR CORRECT WIRING WHEN THE UNIT IS USED, SEE TRIAC DRIVER WIRE LIST. (SHEET 3).
3. PLACE CABLE IN POSITION IN TALL CLAMP OVER CABLE
4. COVER ASSY TO BE ATTACHED TO CHASSIS ASSY AFTER ALL OTHER INSTALLATIONS ARE COMPLETE. TO DO SO, READER KNOB MUST BE REMOVED, COVER INSTALLED, THEN KNOB REPLACED ON READER SHAFT.
5. ON MODELS "P" AND "PA" THIS WIRE WILL BE TIED BACK AND WHITE SHRINKABLE TUBING (ITEM 43) ADDED AS REQD.
6. FOR REFERENCE SEE DRAWING INDEX D-DI-PC05-0-1
7. ON MODELS PC05-C, CA, P, PA THESE WIRES WILL BE BUSSED TOGETHER AT COMMON TERMINAL ON SWITCH PANEL. ON "R" MODEL THESE WIRES WILL BE CONNECTED AS USUAL TO THEIR APPROPRIATE TERMINALS.
8. MODULE HOLD DOWN BAR TO BE INSTALLED BEFORE SHIPPING MACHINE.
9. ATTACH POWER INTERLOCK TO REAR OF STATIONARY SECTION OF CHASSIS TRACKS. INSERT CORD FROM POWER INTERLOCK INTO JACK (H1) IN THE REAR OF THE PC05. SYSTEM POWER SHALL BE SUPPLIED TO POWER INTERLOCK.



SEE NOTE 4

SEE DETAIL "A"

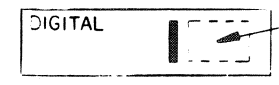
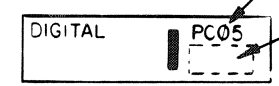
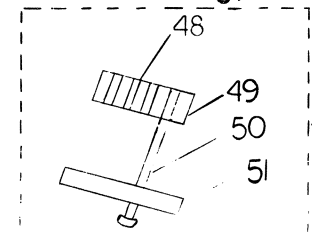
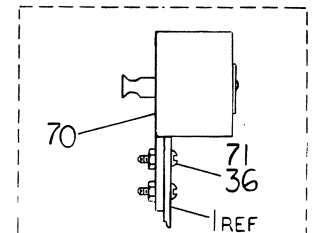
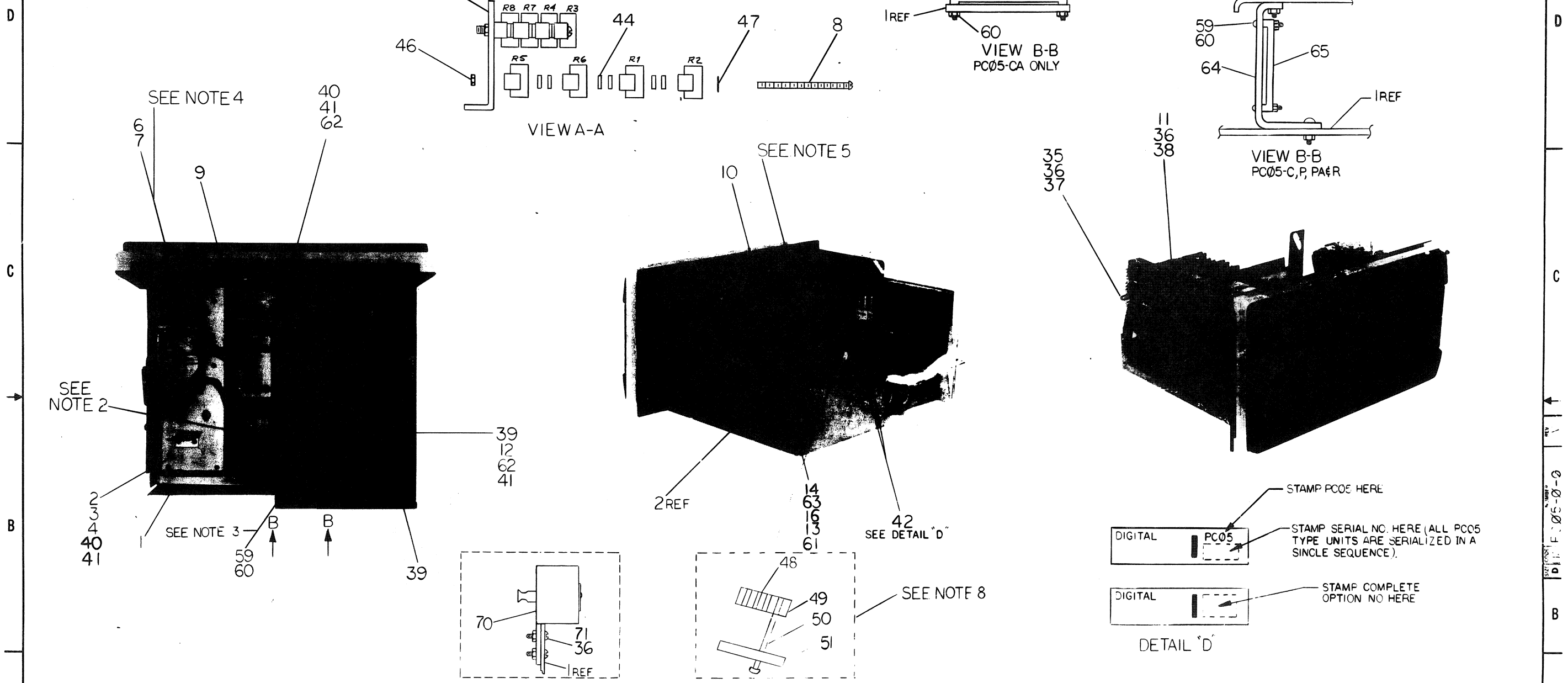
| REV. | CHANGED BY | DATE | DESCRIPTION |
|------|------------|---------|-------------|
| 1 | G. BECKNER | 10-1-69 | REVISED |
| 2 | G. BECKNER | 10-1-69 | REVISED |
| 3 | G. BECKNER | 10-1-69 | REVISED |
| 4 | G. BECKNER | 10-1-69 | REVISED |
| 5 | G. BECKNER | 10-1-69 | REVISED |
| 6 | G. BECKNER | 10-1-69 | REVISED |
| 7 | G. BECKNER | 10-1-69 | REVISED |
| 8 | G. BECKNER | 10-1-69 | REVISED |
| 9 | G. BECKNER | 10-1-69 | REVISED |
| 10 | G. BECKNER | 10-1-69 | REVISED |
| 11 | G. BECKNER | 10-1-69 | REVISED |
| 12 | G. BECKNER | 10-1-69 | REVISED |
| 13 | G. BECKNER | 10-1-69 | REVISED |
| 14 | G. BECKNER | 10-1-69 | REVISED |
| 15 | G. BECKNER | 10-1-69 | REVISED |
| 16 | G. BECKNER | 10-1-69 | REVISED |
| 17 | G. BECKNER | 10-1-69 | REVISED |
| 18 | G. BECKNER | 10-1-69 | REVISED |
| 19 | G. BECKNER | 10-1-69 | REVISED |
| 20 | G. BECKNER | 10-1-69 | REVISED |
| 21 | G. BECKNER | 10-1-69 | REVISED |
| 22 | G. BECKNER | 10-1-69 | REVISED |
| 23 | G. BECKNER | 10-1-69 | REVISED |
| 24 | G. BECKNER | 10-1-69 | REVISED |
| 25 | G. BECKNER | 10-1-69 | REVISED |
| 26 | G. BECKNER | 10-1-69 | REVISED |
| 27 | G. BECKNER | 10-1-69 | REVISED |
| 28 | G. BECKNER | 10-1-69 | REVISED |
| 29 | G. BECKNER | 10-1-69 | REVISED |
| 30 | G. BECKNER | 10-1-69 | REVISED |
| 31 | G. BECKNER | 10-1-69 | REVISED |
| 32 | G. BECKNER | 10-1-69 | REVISED |
| 33 | G. BECKNER | 10-1-69 | REVISED |
| 34 | G. BECKNER | 10-1-69 | REVISED |
| 35 | G. BECKNER | 10-1-69 | REVISED |
| 36 | G. BECKNER | 10-1-69 | REVISED |
| 37 | G. BECKNER | 10-1-69 | REVISED |
| 38 | G. BECKNER | 10-1-69 | REVISED |
| 39 | G. BECKNER | 10-1-69 | REVISED |
| 40 | G. BECKNER | 10-1-69 | REVISED |
| 41 | G. BECKNER | 10-1-69 | REVISED |
| 42 | G. BECKNER | 10-1-69 | REVISED |
| 43 | G. BECKNER | 10-1-69 | REVISED |
| 44 | G. BECKNER | 10-1-69 | REVISED |
| 45 | G. BECKNER | 10-1-69 | REVISED |
| 46 | G. BECKNER | 10-1-69 | REVISED |
| 47 | G. BECKNER | 10-1-69 | REVISED |
| 48 | G. BECKNER | 10-1-69 | REVISED |
| 49 | G. BECKNER | 10-1-69 | REVISED |
| 50 | G. BECKNER | 10-1-69 | REVISED |

| QTY. | DESCRIPTION | PART NO. | ITEM NO. |
|------|------------------------------|----------|----------|
| | PC05 | | |
| | UNLESS OTHERWISE SPECIFIED | | |
| | UNLESS OTHERWISE SPECIFIED | | |
| | TOLERANCES | | |
| | DECIMALS FRACTIONS ANGLES | | |
| | ±.005 ± 1/64 ± 0°30' | | |
| | FINAL SURFACE QUALITY | | |
| | REMOVE BURRS AND BREAK SHARP | | |
| | CC. NERS | | |
| | MATERIAL | | |
| | FINISH | | |
| | SCALE | | |
| | SHEET | | |

REV. V. NUMBER 1. SHEET CODE B. DRAWING NUMBER 05-0-0. PART NO. PC05-0-0. REV. V.

This drawing and specifications, herein, are the property of Digital Equipment Corporation and shall not be reproduced or copied or used in whole or in part as the basis for the manufacture or sale of items without written permission.

PC05-0-0
REV. 2
3000 1215



DETAIL 'D'

| FIRST USED ON OPTION/MODEL | QTY | DESCRIPTION | PART NO | ITEM NO. |
|--------------------------------------|-----|-------------|---------|---|
| PC05 | | | | |
| PARTS LIST | | | | |
| UNLESS OTHERWISE SPECIFIED | | DRN | DATE | digital EQUIPMENT CORPORATION MAYNARD, MASSACHUSETTS |
| UNLESS OTHERWISE SPECIFIED | | CHK'D | DATE | |
| UNLESS OTHERWISE SPECIFIED | | ENG | DATE | TITLE PC05 READER AND PUNCH |
| DIMENSION IN INCHES | | PROJ. ENG. | DATE | |
| TOLERANCES | | PROD. | DATE | SIZE CODE DUA |
| DECIMALS FRACTIONS ANGLES | | | | |
| ±.005 ±.004 ±.030 | | | | NUMBER PC05-0-0 |
| FINAL SURFACE QUALITY | | | | |
| REMOVE BURRS AND BREAK SHARP CORNERS | | | | REV. V |
| MATERIAL | | | | |
| FINISH | | | | DIST. |
| SCALE NCNE | | | | |
| SHEET 2 OF 3 | | | | |

| REV. | CHANGE NO. |
|------|------------|
| | |
| | |

This drawing and specifications, herein, are the property of Digital Equipment Corporation and shall not be reproduced or copied or used in whole or in part as the basis for the manufacture or sale of items without written permission.

TRIAC DRIVER WIRE LIST

| JUMPER CONNECTIONS | | | |
|--------------------|---------|------------|------------|
| WIRE | COLOR | CONNECTION | REMARKS |
| HARN WIRE #9 | RED | T1 | SEE NOTE 2 |
| PUNCH MOT LEAD | BLK/YEL | T2 | |
| T3 | WHT/BLU | A11B2 | |
| T4 | RED | A11A2 | |
| T5 | GRN | A12N2 | |

PUNCH WIRE LIST

| HARNESS CONNECTIONS | | | |
|---------------------|----------|--------------------|--------------------|
| COLOR | WIRE NO. | LOCATION | REMARKS |
| BLK | 5 | PNCH SW1 TAB 5 | SEE NOTE 1 SHEET 1 |
| WHT | 6 | PNCH SW1 TAB 6 | |
| RED | 7 | SWITCH PANEL TAB 7 | SEE NOTE 7 SHEET 1 |
| RED | 8 | SWITCH PANEL TAB 8 | |
| RED | 9 | TS-6 | SEE NOTE 2 SHEET 1 |
| GY/RED | 8 | DO NOT CONNECT | SEE NOTE 5 |
| BLK | 15 | B12C2 (GND) | |
| WHT | 16 | A05T2 | |

READER WIRE LIST

| HARNESS CONNECTIONS | | | |
|---------------------|----------|---------------|--------------------|
| COLOR | WIRE NO. | LOCATION | REMARKS |
| YEL | 1 | RDR SW2 TAB 1 | SEE NOTE 1 SHEET 1 |
| WHT/BLK | 2 | RDR SW2 TAB 2 | |
| WHT/YEL | 3 | RDR SW1 TAB 3 | |
| BRN | 4 | RDR SW1 TAB 4 | |
| YEL | 11 | B04M1 | |
| WHT/BLK | 12 | B11A2(+5) | |
| WHT/YEL | 13 | A11T1 | |
| BRN | 14 | B04U1 | |
| GY/RED | 8 | R9 TAB | LAMP RESISTOR |

HARNESS CONNECTIONS

| COLOR | WIRE NO. | LOCATION | REMARKS |
|---------|----------|----------|-----------|
| BLK | 27 | GND LUG | LOGIC GND |
| GY/YEL | 29 | A12B2 | |
| GRN | 31 | A08V2 | |
| BLK | 28 | GND LUG | LOGIC GND |
| GY/RED | 30 | A12A2 | |
| GRN | 32 | A10V2 | |
| BLK *18 | 38 | CI(-) | |
| | 39 | LAMP *B | |

JUMPER CONNECTIONS

| WIRE | CONNECTIONS | | | |
|----------|-------------|-----------|-----------|------|
| ITEM NO. | COLOR | TYPE ITEM | FROM | TO |
| 25 | WHT | 26 | SEE BELOW | TS-7 |

JUMPER CONNECTIONS

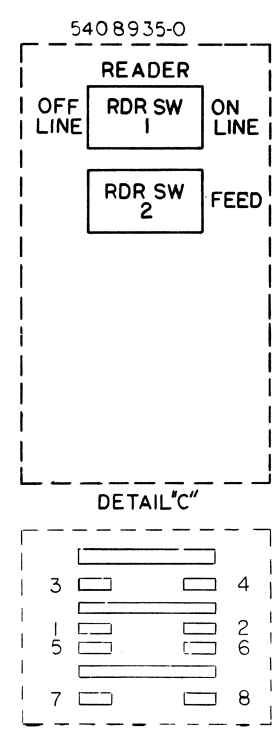
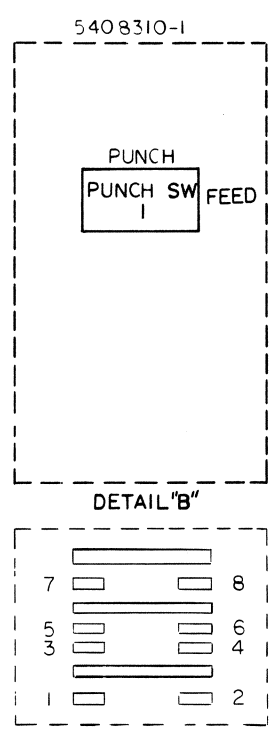
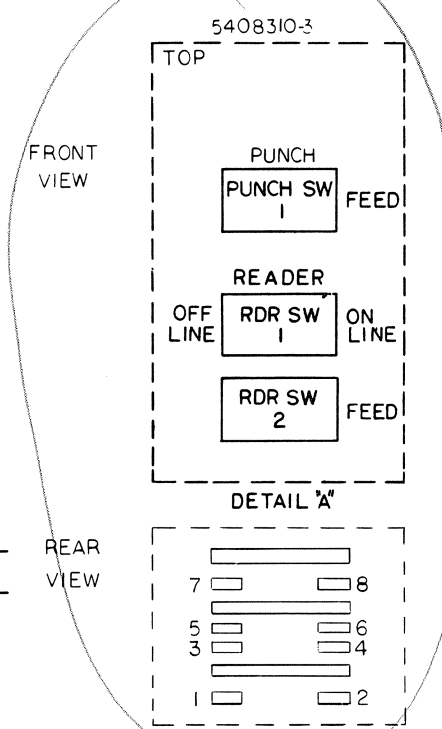
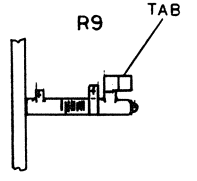
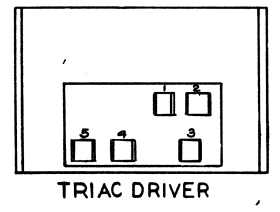
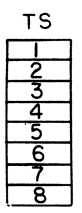
| WIRE | CONNECTIONS | | | |
|----------|-------------|-----------|---------|-------|
| ITEM NO. | COLOR | TYPE ITEM | FROM * | TO |
| 27 | WHT/VIO | NONE | R1 & R2 | TS-1 |
| 28 | WHT/YEL | | R3 & R4 | TS-2 |
| 29 | WHT/ORN | | R5 & R6 | TS-3 |
| 30 | WHT/BRN | | R7 & R8 | TS-4 |
| 31 | VIO | | R1 | B00R2 |
| 31 | VIO | | R2 | B06S2 |
| 32 | YEL | | R3 | B07R2 |
| 32 | YEL | | R4 | B07S2 |
| 33 | ORN | | R5 | A10R2 |
| 33 | ORN | | R6 | A10S2 |
| 34 | BRN | | R7 | A09R2 |
| 34 | BRN | NONE | R8 | A09S2 |

* THIS END CONNECTS TO CAPACITOR ON PUNCH CHASSIS, ON TERMINAL WITH BLUE WIRE ATTACHED

* FOR RESISTOR CONFIGURATION SEE VIEW A-A SHEET 2

READER MOTOR CONNECTIONS

| COLOR | FROM | TO | REMARKS |
|-----------|-----------|------|---------|
| WHT/RED | RDR MOTOR | TS-1 | |
| RED | | TS-2 | |
| WHT/GRN | | TS-3 | |
| GRN | | TS-4 | |
| WHT & BLK | RDR MOTOR | TS-5 | |



EXTERNAL COMPONENT TABLE

| ITEM | COMP | POL | FROM | TO | POL | REMARKS |
|------|------|-----|-------|-------|-----|---------|
| 66 | CAP | + | A03A2 | A01C2 | - | |
| 66 | CAP | + | B01C2 | B03B2 | - | |
| 67 | CAP | + | A05J1 | A05C2 | - | |
| 68 | RES | | B09H1 | B09A2 | | |
| 68 | RES | | B10D1 | B10A2 | | |
| 69 | RES | | A11T1 | A11A2 | | |

| | | | | |
|--------------------------------------|------------------|--------------|----------|----------|
| FIRST USED ON OPTION/MODEL PC05 | QTY. | DESCRIPTION | PART NO. | ITEM NO. |
| UNLESS OTHERWISE SPECIFIED | | | | |
| DIMENSION IN INCHES | | | | |
| TOLERANCES | | | | |
| DECIMALS | FRACTIONS | ANGLES | | |
| ± .005 | ± 1/64 | ± 0°30' | | |
| FINAL SURFACE QUALITY | | | | |
| REMOVE BURRS AND BREAK SHARP CORNERS | | | | |
| MATERIAL | NEXT NUMBER ASSY | | | |
| FINISH | A ML-PC05 0 | | | |
| SCALE NONE | | DUA PC05-0-0 | | REV V |
| SHEET 3 OF 3 | | DST. | | |

| DIGITAL EQUIPMENT CORPORATION MAYNARD, MASSACHUSETTS | | | QUANTITY/VARIATION | | | | |
|---|---------------------------|--|--------------------|--------------------|--------------|-----------------------|--------------|
| PARTS LIST | | | PC05-C | PC05-CA | PC05-P | PC05-PA | PC05-R |
| MADE BY P. MARCOTTE | CHECKED <i>R. Carwell</i> | SECTION 1 | | | | | |
| DATE 6/19/69 | DATE 6/24/69 | ISSUED SECT. 1 | | | | | |
| ENG <i>Jos. Beckner 7/1/69</i> | PROD <i>7/1/69</i> | | | | | | |
| DATE <i>7/1/69</i> | DATE <i>7/1/69</i> | | | | | | |
| ITEM NO. | DWG NO. / PART NO. | DESCRIPTION | PC05-C | PC05-CA | PC05-P | PC05-PA | PC05-R |
| 1 | D-AD-7006246-0-0 | CHASSIS AND POWER SUPPLY ASSY | 1 | 1 | 1 | 1 | 1 |
| 2 | D-AD-7006248-1-0 | PUNCH ASSY (60 CY) | 1 | 1 | | | |
| 3 | D-AD-7006248-2-0 | PUNCH ASSY (50 CY) | | 1 | 1 | | |
| 4 | 9006021-1 | SCR, PHL PAN HD 6-32 x 5/16 LG SST | 5 | 5 | 5 | 5 | 3 |
| 4 | 9006560 | NUT, KEPS 6-32 | 5 | 5 | 4 | 4 | 3 |
| 5 | 9006070-1 | SCR, PHL PAN HD 10-32 x 5/16 LG SST | 2 | 2 | 2 | 2 | 2 |
| 6 | D-AD-7006252-5-0 | COVER ASSY (PUNCH) | | | 1 | 1 | |
| 6 | D-AD-7006252-3-0 | COVER ASSY (READER) | | | | | 1 |
| 6 | D-AD-7006252-4-0 | COVER ASSY (COMB) | 1 | 1 | | | |
| 7 | 9006042-2 | SCR, PHL PH 8-32 x 1 LG SST | 4 | 4 | 4 | 4 | 4 |
| 8 | 9006083-1 | SCR, PHL PAN HD 10-32 x 2-1/2 LG SST | 4 | 4 | | | 4 |
| 9 | C-MD-7405300-0-0 | CHAD BOX | 1 | 1 | 1 | 1 | |
| 10 | D-UA-7006247-0-0 | READER ASSY | 1 | 1 | | | 1 |
| 11 | C-AD-7006253-0-0 | BUS BAR PC05 | 1 | 1 | 1 | 1 | 1 |
| 12 | 9006022-1 | SCR, PHL PAN HD 6-32 x 3/8 LG SST | 3 | 3 | 3 | 3 | 3 |
| 13 | 9006633 | WASHER, INT TOOTH #6 | 2 | 2 | | | |
| 14 | C-AD-7006520-0-0 | TRIAC DRIVER ASSY | 1 | 1 | 1 | 1 | |
| 15 | 9006026-1 | SCR, PHL PAN HD 6/32 x 3/4 LG SST | 1 | 1 | | | |
| 16 | 9006801 | SPACER 1/4 AF x 3/8 LG #6 HOLE | 2 | 2 | | | |
| 17 | D-UA-PC05-0-0 | PC05A CABLE | 2 | 2 | 2 | 2 | 2 |
| 18 | C-AD-5408310-1-0 | SWITCH ASSY | | | 1 | 1 | |
| 18 | C-AD-5408935-0-0 | SWITCH ASSY | | | | | 1 |
| TITLE PC05 READER, PUNCH, DRIVER | | ASSY NO. D-UA-PC05-0-0 | SIZE CODE A PL | NUMBER PC05-0-0 | REV. V | ECO NO. PC05-00031 | |
| SHEET 1 OF 4 | | DIST. G | | | | | |

DEC FORM NO. RA 110

| DIGITAL EQUIPMENT CORPORATION MAYNARD, MASSACHUSETTS | | | QUANTITY/VARIATION | | | | |
|---|---------------------------|-------------------------------------|--------------------|--------------------|--------------|--------------|--------------|
| PARTS LIST | | | PC05-C | PC05-CA | PC05-P | PC05-PA | PC05-R |
| MADE BY P. MARCOTTE | CHECKED <i>R. Carwell</i> | SECTION 1 | | | | | |
| DATE 6/19/69 | DATE 6/24/69 | ISSUED SECT. 1 | | | | | |
| ENG <i>Jos. Beckner 7/1/69</i> | PROD <i>7/1/69</i> | | | | | | |
| DATE <i>7/1/69</i> | DATE <i>7/1/69</i> | | | | | | |
| ITEM NO. | DWG NO. / PART NO. | DESCRIPTION | PC05-C | PC05-CA | PC05-P | PC05-PA | PC05-R |
| 40 | 9006024-1 | SCR, PHL PAN HD 6-32 x 1/2 LG SST | 7 | 7 | 4 | 4 | 5 |
| 41 | 9006653 | WASHER, FLAT #6 SST | 5 | 5 | 2 | 2 | 5 |
| 42 | 9008141 | DEC NAME TAG | 2 | 2 | 2 | 2 | 2 |
| 43 | 9107252-09 | WHITE SHRINKABLE TUBING | | | A/EA/B | | |
| 44 | 9006664 | WASHER #10 SST | 24 | 24 | | | 24 |
| 45 | C-MD-7408091-0-0 | BRKT, RESISTOR | 1 | 1 | | | 1 |
| 46 | 9006565 | NUT, KEP 10-32 SST | 4 | 4 | 4 | 4 | 4 |
| 47 | 9006655 | WASHER INT TOOTH #10 | 4 | 4 | | | 4 |
| 48 | 9007799-6 | SCR, PHL, FILLISTER HD 8-32X 1 1/2 | 1 | 1 | 1 | 1 | 1 |
| 49 | 1209850 | UNIVERSAL RETAINER | 1 | 1 | 1 | 1 | 1 |
| 50 | C-IA-7405642-0-0 | SCR MODULE RETAINER | 1 | 1 | 1 | 1 | 1 |
| 51 | C-IA-7408339-7-0 | HOLD DOWN BAR 6" | 1 | 1 | 1 | 1 | 1 |
| 52 | C-IA-7407134-3-0 | BEZEL SWITCH | | | | | 1 |
| 52 | C-IA-7407134-4-0 | BEZEL SWITCH | | | | | 1 |
| 52 | C-IA-7407134-5-0 | BEZEL SWITCH | | | | | 1 |
| 53 | 9006558 | NUT, HEX # 6-32 SST | 2 | 2 | 2 | 2 | 2 |
| 54 | 9006633 | WASHER INT TOOTH LOCK #6 | 2 | 2 | 2 | 2 | 2 |
| 55 | 9006656 | WASHER FLAT | 2 | 2 | 2 | 2 | 2 |
| 56 | A-PI-3700024-0-0 | PACKAGING INSTRUCTIONS | 1 | 1 | 1 | 1 | 1 |
| 57 | A-PI-3700123-0-0 | PACKAGING INSTRUCTIONS | 1 | 1 | 1 | 1 | 1 |
| 58 | 9007079 | CLAMP, CABLE | 1 | 1 | | | 1 |
| TITLE PC05 READER, PUNCH, DRIVER | | ASSY NO. D-UA-PC05-0-0 | SIZE CODE A PL | NUMBER PC05-0-0 | REV. V | ECO NO. | |
| SHEET 3 OF 4 | | DIST. G | | | | | |

DEC FORM NO. DRA 110

| DIGITAL EQUIPMENT CORPORATION MAYNARD, MASSACHUSETTS | | | QUANTITY/VARIATION | | | | |
|---|---------------------------|------------------------------------|----------------------------|----------------------------|----------------------------|----------------------------|----------------------------|
| PARTS LIST | | | PC05-C | PC05-CA | PC05-P | PC05-PA | PC05-R |
| MADE BY P. MARCOTTE | CHECKED <i>R. Carwell</i> | SECTION 1 | | | | | |
| DATE 6/19/69 | DATE 6/24/69 | ISSUED SECT. 1 | | | | | |
| ENG <i>Jos. Beckner 7/1/69</i> | PROD <i>7/1/69</i> | | | | | | |
| DATE <i>7/1/69</i> | DATE <i>7/1/69</i> | | | | | | |
| ITEM NO. | DWG NO. / PART NO. | DESCRIPTION | PC05-C | PC05-CA | PC05-P | PC05-PA | PC05-R |
| 18 | C-AD-5408310-3-0 | SWITCH ASSY | 1 | 1 | | | |
| 19 | D-MD-7407131-0-0 | TAPE CONTAINER | 1 | 1 | 1 | 1 | |
| 20 | 9006011-2 | SCR, PHL PH 4-40 x 3/8 LG SST | 2 | 2 | 2 | 2 | |
| 21 | 9006556 | NUT, HEX 4-40 | 2 | 2 | 2 | 2 | 8 |
| 22 | 9006632 | WASHER, INT TOOTH #4 | 2 | 2 | 2 | 2 | 8 |
| 23 | 9006633 | WASHER, INT TOOTH #10 | 2 | 2 | 2 | 2 | 8 |
| 24 | 1309896 | RES, 25 OHM 40W ± 5% | 8 | 8 | | | 8 |
| 25 | 9107360-99 | 18 AWG STRD TEFLON WHT | A/RA/RA/RA/RA/B | A/RA/RA/RA/RA/B | A/RA/RA/RA/RA/B | A/RA/RA/RA/RA/B | A/RA/RA/RA/RA/B |
| 26 | 9007917 | GOLDEREGG CORN | 6 | 6 | 6 | 6 | 4 |
| 27 | 9107400-97 | 22 AWG STRD TEFLON TRACER WHT/VIO | A/RA/RA/RA/RA/B | A/RA/RA/RA/RA/B | A/RA/RA/RA/RA/B | A/RA/RA/RA/RA/B | A/RA/RA/RA/RA/B |
| 28 | 9107400-94 | 22 AWG STRD TEFLON TRACER WHT/YEL | A/RA/RA/RA/RA/B | A/RA/RA/RA/RA/B | A/RA/RA/RA/RA/B | A/RA/RA/RA/RA/B | A/RA/RA/RA/RA/B |
| 29 | 9107400-93 | 22 AWG STRD TEFLON TRACER WHT/ORN | A/RA/RA/RA/RA/B | A/RA/RA/RA/RA/B | A/RA/RA/RA/RA/B | A/RA/RA/RA/RA/B | A/RA/RA/RA/RA/B |
| 30 | 9107400-91 | 22 AWG STRD TEFLON TRACER WHT/BRN | A/RA/RA/RA/RA/B | A/RA/RA/RA/RA/B | A/RA/RA/RA/RA/B | A/RA/RA/RA/RA/B | A/RA/RA/RA/RA/B |
| 31 | 9107350-77 | 24 AWG SOLID KYNAR VIO | A/RA/RA/RA/RA/B | A/RA/RA/RA/RA/B | A/RA/RA/RA/RA/B | A/RA/RA/RA/RA/B | A/RA/RA/RA/RA/B |
| 32 | 9107350-44 | 24 AWG SOLID KYNAR YEL | A/RA/RA/RA/RA/B | A/RA/RA/RA/RA/B | A/RA/RA/RA/RA/B | A/RA/RA/RA/RA/B | A/RA/RA/RA/RA/B |
| 33 | 9107350-33 | 24 AWG SOLID KYNAR ORN | A/RA/RA/RA/RA/B | A/RA/RA/RA/RA/B | A/RA/RA/RA/RA/B | A/RA/RA/RA/RA/B | A/RA/RA/RA/RA/B |
| 34 | 9107350-11 | 24 AWG SOLID KYNAR BRN | A/RA/RA/RA/RA/B | A/RA/RA/RA/RA/B | A/RA/RA/RA/RA/B | A/RA/RA/RA/RA/B | A/RA/RA/RA/RA/B |
| 35 | 9006905-01 | SCR, PHL PAN HD 8-32 x 1/8 LG SST | 1 | 1 | 1 | 1 | 1 |
| 36 | 9006634 | WASHER INT TOOTH #8 | 4 | 4 | 4 | 4 | 4 |
| 37 | 9006823 | SPACER 3/8 AF x 3/4 LG | 1 | 1 | 1 | 1 | 1 |
| 38 | 9009540-01 | SCR, PHL PAN HD 8-32 x 5/16 LG SST | 1 | 1 | 1 | 1 | 1 |
| 39 | E-IA-7407438-0-0 | POWER SUPPLY COVER | 1 | 1 | 1 | 1 | 1 |
| TITLE PC05 READER, PUNCH, DRIVER | | ASSY NO. D-UA-PC05-0-0 | SIZE CODE A PL | NUMBER PC05-0-0 | REV. V | ECO NO. | |
| SHEET 2 OF 4 | | DIST. G | | | | | |

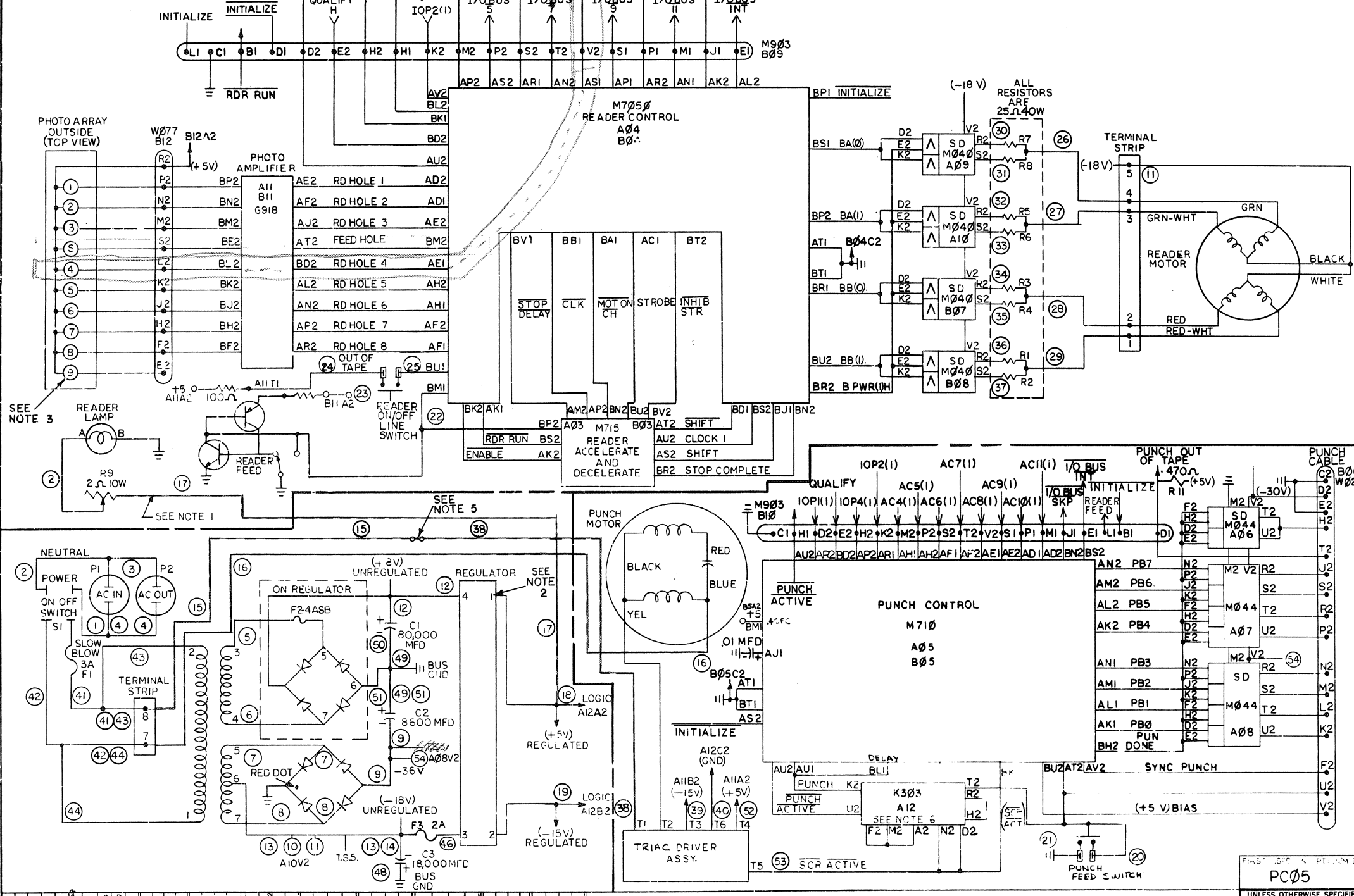
DEC FORM NO. DRA 110

| DIGITAL EQUIPMENT CORPORATION MAYNARD, MASSACHUSETTS | | | QUANTITY/VARIATION | | | | |
|---|---------------------------|----------------------------------|--------------------|--------------------|-----------|---------|--------|
| PARTS LIST | | | PC05-C | PC05-CA | PC05-P | PC05-PA | PC05-R |
| MADE BY P. MARCOTTE | CHECKED <i>R. Carwell</i> | SECTION 1 | | | | | |
| DATE 6/19/69 | DATE 6/24/69 | ISSUED SECT. 1 | | | | | |
| ENG <i>GEO. BECKNER 7/1/69</i> | PROD <i>P. MARTINI</i> | | | | | | |
| DATE <i>7/1/69</i> | DATE <i>7/7/69</i> | | | | | | |
| ITEM NO. | DWG NO. / PART NO. | DESCRIPTION | PC05-C | PC05-CA | PC05-P | PC05-PA | PC05-R |
| 59 | 9006013-01 | SCR, PHL, PAN HD, #4-40 X 1/2 LG | 4 | 2 | 4 | 4 | 4 |
| 60 | 9006557 | NUT, KEPS #4 | 4 | 2 | 4 | 4 | 4 |
| 61 | 9007622 | GROMMET, CATERPILLAR | 3 1/2 | 3 1/2 | | | |
| 62 | 9007649 | WASHER, EXT. TOOTH #6 | 10 | 10 | 10 | 10 | 10 |
| 63 | 9006027-01 | SCR, PHL, PAN HD, #6-32 X 7/8 LG | 2 | 2 | | | |
| 64 | B-MD-7408955 | BRACKET | 1 | 0 | 1 | 1 | 1 |
| 65 | B-MD-7408956 | CLAMP | 1 | 0 | 1 | 1 | 1 |
| 66 | 1005306 | CAP 6.8 MFD 35V 10% | 2 | 2 | 2 | 2 | 2 |
| 67 | 1001610 | CAP .01 MFD 100V 20% | 1 | 1 | 1 | 1 | 1 |
| 68 | 1300316 | RES 470 OHM 1/2 W 10% | 2 | 2 | 2 | 2 | 2 |
| 69 | 1300229 | RES 100 OHM 1/2 W 5% | 1 | 1 | 1 | 1 | 1 |
| 70 | 7015804 | INTERLOCK, POWER | 1 | 1 | 1 | 1 | 1 |
| 71 | 9006037-1 | SCREW #8-32 x 3/8 LONG | 2 | 2 | 2 | 2 | 2 |
| TITLE PC05 READER, PUNCH, DRIVER | | ASSY NO. D-UA-PC05-0-0 | SIZE CODE A PL | NUMBER PC05-0-0 | REV. V | ECO NO. | |
| SHEET 4 OF 4 | | DIST. G | | | | | |

DEC FORM DEC 16-(325)-1031-N870
DRA 110

This drawing and specifications, herein, are the property of Digital Equipment Corporation and shall not be reproduced or copied or used in whole or in part as the basis for the manufacture or sale of items without written permission.

- NOTES:**
1. DOTTED LINES INDICATE POSSIBLE CONNECTIONS BETWEEN POWER SUPPLY, READER, PUNCH AND TRIAC DRIVER; SEE LEGEND.
 2. THE UNCIRCLED NUMBERS 1 THRU 7 REFER TO CONNECTIONS ON REGULATOR BOARD.
 3. THIS PHOTO-TRANSISTOR USED TO DETECT OUT OF TAPE.
 4. CIRCLED NUMBERS 1 THRU 53 ARE WIRE NUMBERS. SEE TABLE.
 5. WIRE #15 AND #38 ARE BUSSED TOGETHER ON SWITCH PANEL. ON 'C', 'CA', 'P', 'PA' MODELS ONLY. ON 'R' MODEL THESE WIRES WILL BE CONNECTED AS USUAL TO THEIR APPROPRIATE TABS.
 6. WHEN M710 CKT REV H & HIGHER IS USED, DELETE K303 MODULE.



WIRE TABLE

| WIRE NO. | COLOR | WIRE NO. | COLOR |
|------------|-------------|----------|--------------|
| 1 | RED | 24 | WHITE-YELLOW |
| 2 | WHITE | 25 | BROWN |
| 3 | WHITE | 26 | WHITE-BROWN |
| 4 | RED | 27 | WHITE-ORANGE |
| 5 | ORANGE | 28 | WHITE-YELLOW |
| 6 | GRAY-BLUE | 29 | WHITE-VIOLET |
| 7 | GRAY-WHITE | 30 | BROWN |
| 8 | YELLOW | 31 | BROWN |
| 9 | BLUE | 32 | ORANGE |
| 10 | GREEN | 33 | ORANGE |
| 11 | GREEN | 34 | YELLOW |
| 12 | GRAY-VIOLET | 35 | YELLOW |
| 13 | GREEN | 36 | VIOLET |
| 14 | GREEN | 37 | VIOLET |
| 15 | RED | 38 | RED |
| 16 | WHITE | 39 | WHITE-BLUE |
| 17 | GRAY-RED | 40 | WHITE-GREEN |
| 18 | GRAY-RED | 41 | RED |
| 19 | GRAY-YELLOW | 42 | WHITE |
| 20 | WHITE | 43 | RED |
| 21 | BLACK | 44 | WHITE |
| 22 | YELLOW | 45 | GREEN |
| 23 | WHITE-BLACK | 46 | GREEN |
| 48 THRU 51 | BLACK | 47 | GRAY-RED |
| 52 | GREEN | 53 | RED |
| 54 | BLUE | | |

LEGEND

| CONNECTIONS | MODEL | PC05-C | PC05-P | PC05-R |
|-------------------------|---------|---------|---------|--------|
| PWR SUP TO READER | PC05-CA | PC05-PA | PC05-RA | |
| PWR SUP TO PUNCH | | | | |
| TRIAC DRVR TO PUNCH | | | | |
| PWR SUP TO TRIAC DRIVER | | | | |

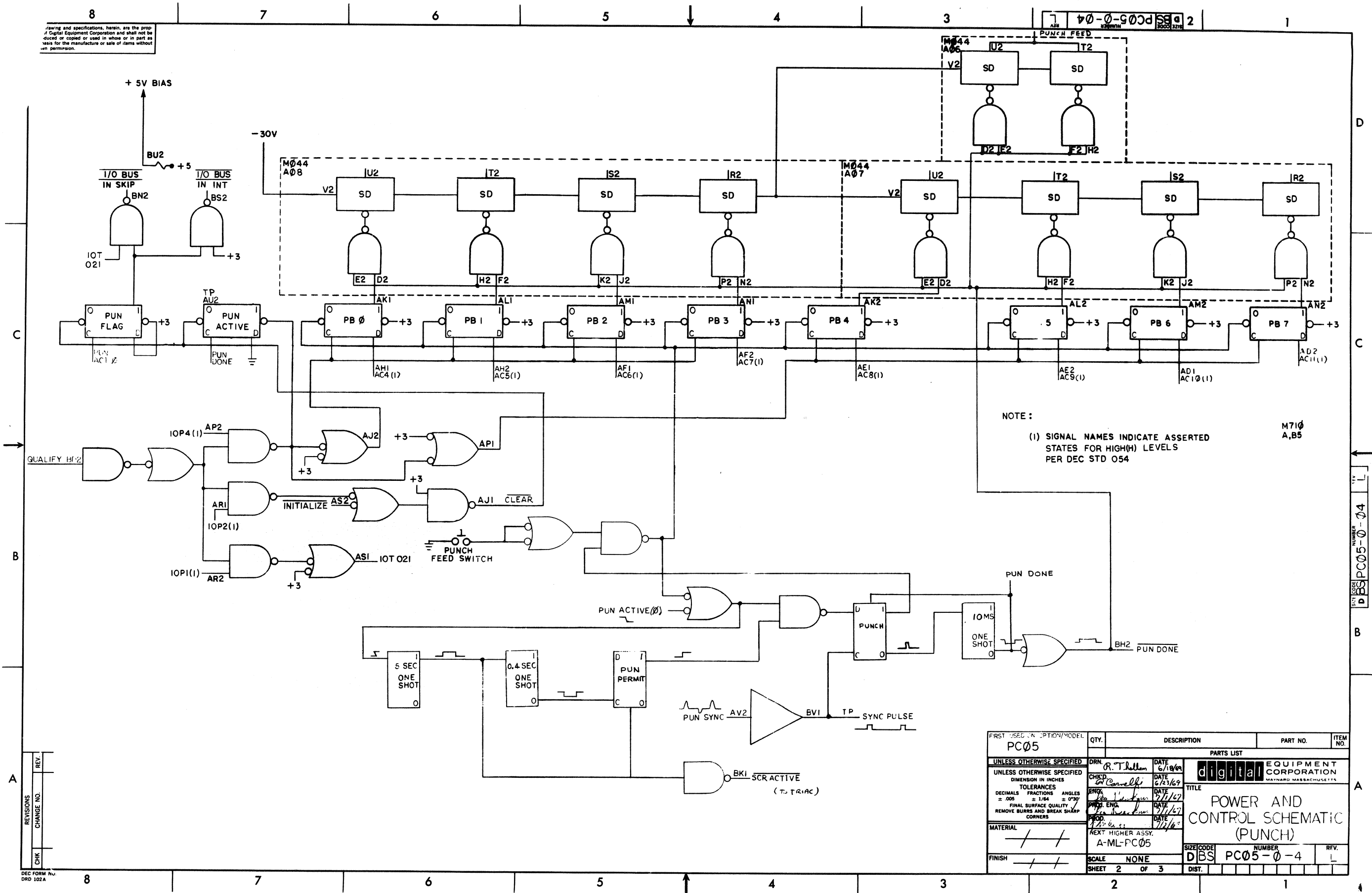
PARTS LIST

| QTY. | DESCRIPTION | PART NO. | ITEM NO. |
|------|--------------------------------------|----------|----------|
| | PC05 | | |
| | UNLESS OTHERWISE SPECIFIED | | |
| | UNLESS OTHERWISE SPECIFIED | | |
| | TOLERANCES | | |
| | DECIMALS FRACTIONS ANGLES | | |
| | = .005 = 1/64 = 0°30' | | |
| | FINAL SURFACE QUALITY | | |
| | REMOVE BURRS AND BREAK SHARP CORNERS | | |
| | MATERIAL | | |
| | FINISH | | |

REVISIONS

| REV. | NO. | DESCRIPTION | DATE | BY |
|------|-----|-------------|---------|-----------|
| A | 1 | PC05-00003 | 1/18/71 | E. LUTTIG |
| B | 1 | PC05-00005 | 1/23/71 | E. LUTTIG |
| C | 1 | PC05-00016 | 2/11/71 | E. LUTTIG |
| D | 1 | PC05-00023 | 2/11/71 | E. LUTTIG |
| E | 1 | PC05-00025 | 2/11/71 | E. LUTTIG |
| F | 1 | PC05-00021 | 2/11/71 | E. LUTTIG |
| G | 1 | PC05-00024 | 2/11/71 | E. LUTTIG |
| H | 1 | PC05-00022 | 2/11/71 | E. LUTTIG |
| I | 1 | PC05-00026 | 2/11/71 | E. LUTTIG |
| J | 1 | PC05-00028 | 2/11/71 | E. LUTTIG |
| K | 1 | PC05-00027 | 2/11/71 | E. LUTTIG |
| L | 1 | PC05-00028 | 2/11/71 | E. LUTTIG |
| M | 1 | PC05-00029 | 2/11/71 | E. LUTTIG |
| N | 1 | PC05-00030 | 2/11/71 | E. LUTTIG |
| O | 1 | PC05-00031 | 2/11/71 | E. LUTTIG |
| P | 1 | PC05-00032 | 2/11/71 | E. LUTTIG |
| Q | 1 | PC05-00033 | 2/11/71 | E. LUTTIG |
| R | 1 | PC05-00034 | 2/11/71 | E. LUTTIG |
| S | 1 | PC05-00035 | 2/11/71 | E. LUTTIG |
| T | 1 | PC05-00036 | 2/11/71 | E. LUTTIG |
| U | 1 | PC05-00037 | 2/11/71 | E. LUTTIG |
| V | 1 | PC05-00038 | 2/11/71 | E. LUTTIG |
| W | 1 | PC05-00039 | 2/11/71 | E. LUTTIG |
| X | 1 | PC05-00040 | 2/11/71 | E. LUTTIG |
| Y | 1 | PC05-00041 | 2/11/71 | E. LUTTIG |
| Z | 1 | PC05-00042 | 2/11/71 | E. LUTTIG |

Drawings and specifications herein are the property of Digital Equipment Corporation and shall not be reproduced or used in whole or in part as basis for the manufacture or sale of items without permission.



NOTE:
(1) SIGNAL NAMES INDICATE ASSERTED STATES FOR HIGH(H) LEVELS PER DEC STD 054

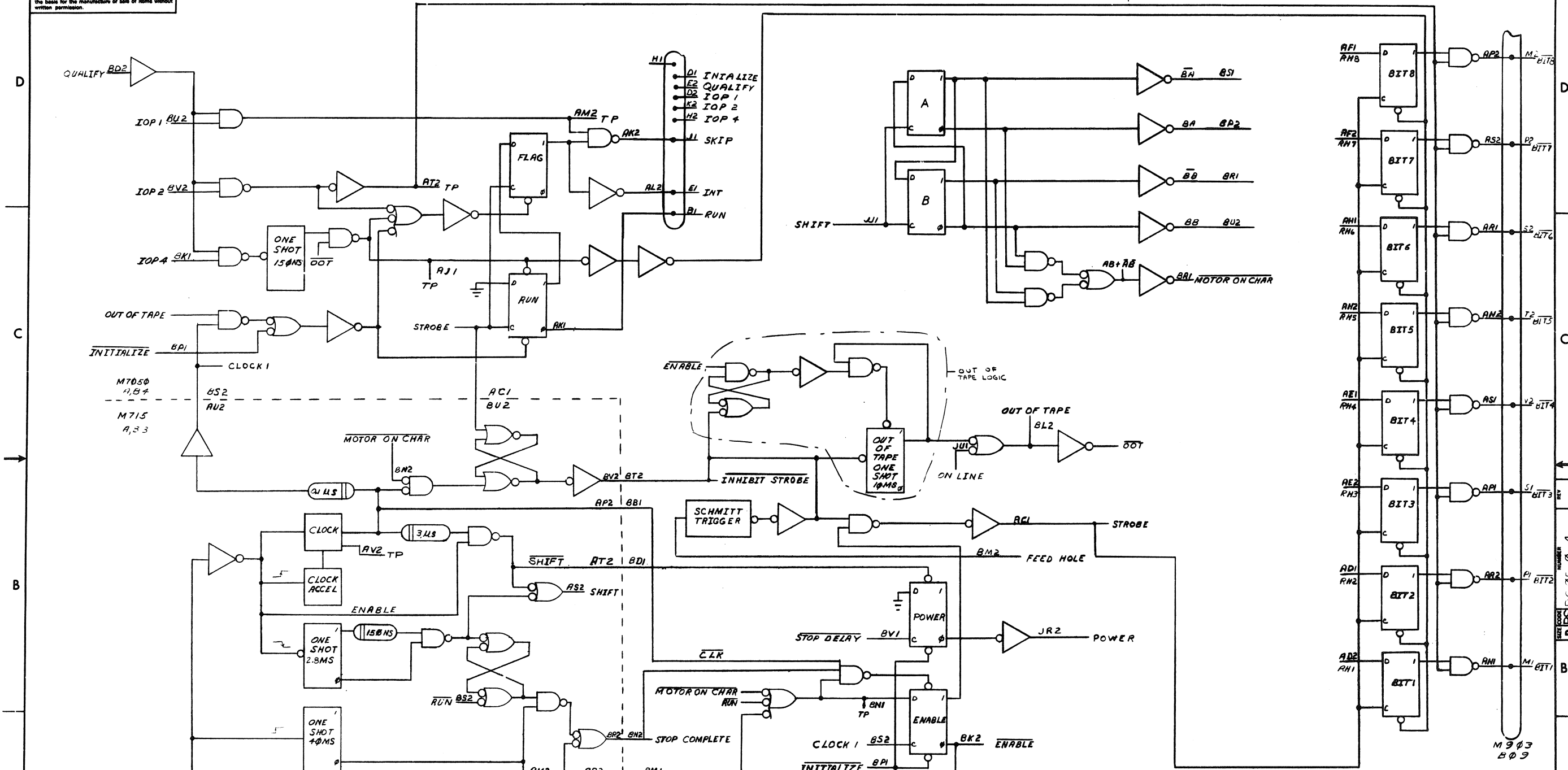
M710
A,B5

| | |
|------------|------|
| REVISIONS | REV. |
| CHANGE NO. | |
| CHK | |

DEC FORM NO. DRD 102A

| | | | | |
|---|--|-----------------|--|--------------------|
| FIRST USED IN OPTION/MODEL PC05 | QTY. | DESCRIPTION | PART NO. | ITEM NO. |
| UNLESS OTHERWISE SPECIFIED DIMENSION IN INCHES TOLERANCES DECIMALS FRACTIONS ANGLES ±.005 ± 1/64 ± 0°30' FINAL SURFACE QUALITY REMOVE BURRS AND BREAK SHARP CORNERS | DRN R. Thellman DATE 6/18/69 | DATE 6/23/69 | PARTS LIST digital EQUIPMENT CORPORATION MAYNARD, MASSACHUSETTS | |
| MATERIAL FINISH | CHKD C. Connolly DATE 7/11/69 | DATE 7/11/69 | TITLE POWER AND CONTROL SCHEMATIC (PUNCH) | |
| | PRD. R. Thellman DATE 7/22/69 | DATE 7/22/69 | SIZE CODE D | NUMBER PC05-0-4 |
| | NEXT HIGHER ASSY. A-ML-PC05 | SCALE NONE | DIST. | REV. L |
| | SHEET 2 OF 3 | | | |

This drawing and specifications, herein, are the property of Digital Equipment Corporation and shall not be reproduced or used in whole or in part as the basis for the manufacture or sale of items without written permission.



| | |
|-----|--|
| REV | |
| CHK | |

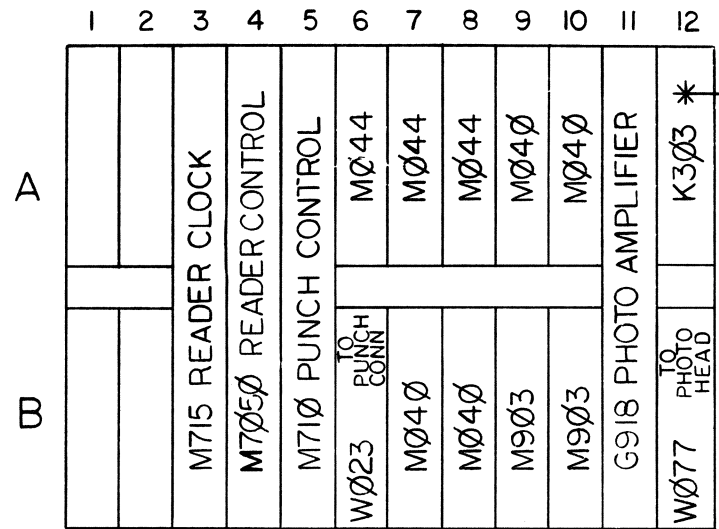
| QTY. | DESCRIPTION | PART NO. | ITEM NO. |
|--------------------------------------|-------------|-------------------------------|----------|
| PARTS LIST | | | |
| UNLESS OTHERWISE SPECIFIED | DATE | DIGITAL EQUIPMENT CORPORATION | |
| UNLESS OTHERWISE SPECIFIED | DATE | MAYNARD MASS/CHUSETTS | |
| DIMENSION IN INCHES | DATE | POWER SCHEMATIC (READER) | |
| TOLERANCES | DATE | | |
| DECIMALS FRACTIONS ANGLES | DATE | | |
| ±.008 ±.004 ±.030 | DATE | | |
| FINAL SURFACE QUALITY | DATE | SCALE NONE | |
| REMOVE BURRS AND BREAK SHARP CORNERS | DATE | SHEET 3 OF 3 | |
| MATERIAL | DATE | DISTR. | |
| FINISH | DATE | REV. L | |

This drawing and specifications, herein, are the property of Digital Equipment Corporation and shall not be reproduced or copied or used in whole or in part as the basis for the manufacture or sale of items without written permission.

| MODEL | MODULE LIST |
|-----------------|---------------------------------------|
| PC05-C, PC05-CA | A3-A12, B6-B12 |
| PC05-P, PC05-PA | A5, A6, A7, A8, A12, B6, B10 |
| PC05-R | A3, A4, A9, A10, A11, B7, B8, B9, B12 |

NOTES:

- 1 REF. G-AD-5408231-0-0
- 2 DELETE THIS MODULE WHEN CKT REV H AND UP OF M710 IS USED. (ETCH F)
- 3 M715 MUST BE OF REVISION (K CIRCUIT OR HIGHER. (LE ETCH)
- 4 G918 MUST BE OF REVISION (B CIRCUIT OR HIGHER. (D ETCH)



SEE NOTE 1,2

SEE NOTE 3

SEE NOTE 4

Solenoid driver
Solenoid driver
Kabel Reactor
Pendler

| CHK | CHANGE NO. | REV. |
|----------|-------------------|------|
| <i>W</i> | PC05-00001 | A |
| <i>G</i> | <i>PC05-00021</i> | B |

Jacky Morano P-27-81
G. BECKNER
Chas. J. ... 9-3-69
W. ... 9/17/71
LEIS
W. ... 124171

| FIRST USED OPTION/MODEL | QTY. | DESCRIPTION | PART NO. | ITEM NO. |
|--|-------------------|--------------|----------|----------|
| PC05 | | | | |
| UNLESS OTHERWISE SPECIFIED | | | | |
| DIMENSION IN INCHES | | | | |
| DECIMALS | FRACTIONS | ANGLES | | |
| ± .005 | ± 1/64 | ± 0°30' | | |
| FINAL SURFACE QUALITY REMOVE BURRS AND BREAK SHARP CORNERS | | | | |
| MATERIAL | NEXT HIGHER ASSY. | | | |
| + | A-ML-PC05-0 | | | |
| FINISH | SCALE | SHEET 1 OF 1 | | |
| + | + | | | |

| | | |
|------------|----------|--|
| DRN | DATE | digital EQUIPMENT CORPORATION MAYNARD, MASSACHUSETTS |
| CHK'D | DATE | |
| ENG. | DATE | |
| PROJ. ENG. | DATE | |
| PROD. | DATE | |
| TITLE | | MODULE UTILIZATION LIST PC05 |
| SIZE CODE | NUMBER | |
| C/MU | PC05-0-3 | REV. B |

REV. B
NUMBER PC05-0-3
SIZE CODE C/MU

DIGITAL EQUIPMENT CORPORATION
MAYNARD, MASSACHUSETTS
PARTS LIST

| | | |
|-----------------------|---------------------------|-------------------|
| MADE BY P. MARCOTTE | CHECKED <i>R. Carwell</i> | SECTION 1 |
| DATE 6/18/69 | DATE 6/20/69 | |
| ENG <i>P. Carwell</i> | PROD <i>1</i> | ISSUED SECT. 1 |
| DATE <i>7/1/69</i> | DATE <i>7/2/69</i> | |

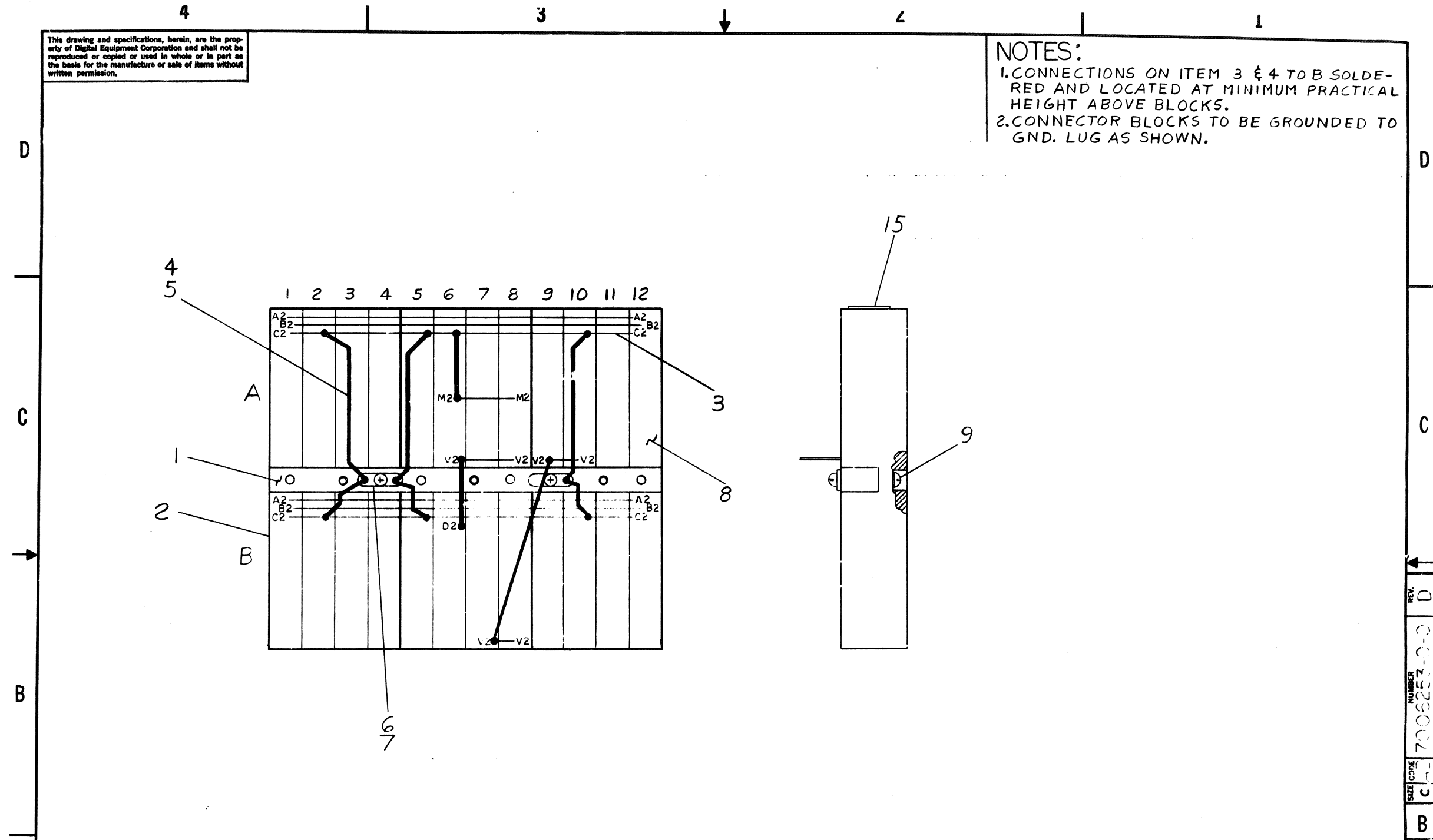
QUANTITY / VARIATION

| ITEM NO. | DWG NO. / PART NO. | DESCRIPTION | QUANTITY / VARIATION | | | | | | | | | | | | | | | |
|--|--------------------|-------------------------------------|----------------------|--------------|--------------|--------------|--------|--|--|--|--|--|--|--|--|--|--|--|
| | | | PC05-C | PC05-CA | PC05-P | PC05-PA | PC05-R | | | | | | | | | | | |
| 1 | G918 | PHOTO AMPLIFIER | 1 | 1 | | | 1 | | | | | | | | | | | |
| 2 | C-AD-5408231-0-0 | TIMER (K303 WITH K374, K376 & K378) | 1 | 1 | 1 | 1 | | | | | | | | | | | | |
| 3 | M040 | SOLENOID DRIVER | 4 | 4 | | | 4 | | | | | | | | | | | |
| 4 | M044 | SOLENOID DRIVER | 3 | 3 | 3 | 3 | | | | | | | | | | | | |
| 5 | M705 | READER CONTROL | 1 | 1 | 1 | 1 | | | | | | | | | | | | |
| 6 | M710 | PUNCH CONTROL | 1 | 1 | 1 | 1 | | | | | | | | | | | | |
| 7 | M715 | READER CLOCK | 1 | 1 | | | 1 | | | | | | | | | | | |
| 8 | M7050 | READER CONTROL | 1 | 1 | | | 1 | | | | | | | | | | | |
| NOTE 1: DELETE 5408231 MODULE WHEN CKT REV H AND HIGHER OF | | | M710 MODULE IS USED | | | | | | | | | | | | | | | |

| | | | | | | |
|-----------------------------|---------------------------|-----------|------------|--------------------|-----------|------------------------|
| TITLE MODULE UTILIZATION | ASSY NO. C-MU-PC05-0-3 | SIZE A | CODE PL | NUMBER PC05-0-3 | REV. B | ECO NO. PC05-000021 |
| SHEET 1 OF 1 | | DIS | | | | |

This drawing and specifications, herein, are the property of Digital Equipment Corporation and shall not be reproduced or copied or used in whole or in part as the basis for the manufacture or sale of items without written permission.

NOTES:
 1. CONNECTIONS ON ITEM 3 & 4 TO B SOLDERED AND LOCATED AT MINIMUM PRACTICAL HEIGHT ABOVE BLOCKS.
 2. CONNECTOR BLOCKS TO BE GROUNDED TO GND. LUG AS SHOWN.



| CHK | REVISIONS | CHANGE NO. | REV. |
|-----|-----------|------------|------|
| | | PC05-00003 | A |
| | | PC05-00016 | B |
| | | PC05-00021 | C |
| | | PC05-00030 | D |

| QTY. | DESCRIPTION | PART NO. | ITEM NO. |
|--|-------------|--|----------|
| PARTS LIST | | | |
| UNLESS OTHERWISE SPECIFIED | | digital EQUIPMENT CORPORATION MAYNARD, MASSACHUSETTS | |
| UNLESS OTHERWISE SPECIFIED | | | |
| DIMENSION IN INCHES | | | |
| TOLERANCES | | | |
| DECIMALS FRACTIONS ANGLES ± .005 ± 1/64 ± 0°30' | | TITLE BUS BAR (PC05) | |
| FINAL SURFACE QUALITY | | | |
| REMOVE BURRS AND BREAK SHARP CORNERS | | | |
| MATERIAL | | | |
| FINISH | | SIZE CODE NUMBER REV. C AD 7006253-0-0 D | |
| SHEET 1 OF 1 | | DIST. | |

REV. D
 NUMBER 7006253-0-0
 SIZE CODE C AD

DIGITAL EQUIPMENT CORPORATION
MAYNARD, MASSACHUSETTS
PARTS LIST

QUANTITY / VARIATION

| | | |
|-------------------------|---------------------------|--------------|
| MADE BY P. MARCOTTE | CHECKED <i>R. Conelli</i> | SECTION |
| DATE 6/10/69 | DATE 6/18/69 | 1 |
| ENG <i>Geo. Beckman</i> | PROD <i>R. Conelli</i> | ISSUED SECT. |
| DATE 7/1/69 | DATE 7/2/69 | 1 |

| ITEM NO. | DWG NO. / PART NO. | DESCRIPTION | | | | | | | | | | | | | | | | | | |
|---------------|--------------------|--------------------------------------|--------------|--|--|--|--|--|--|--|--|--|--|--|--|--|--|--|--|--|
| 1 | B-IA-7407077-0-0 | MTG. BAR 6IN. | 1 | | | | | | | | | | | | | | | | | |
| 2 | 1205348 | 288 PIN CONN. BLOCK WRAPTYPE | 3 | | | | | | | | | | | | | | | | | |
| 3 | 9008428 | BUS STRIP - 44 HOLE | A/R | | | | | | | | | | | | | | | | | |
| 4 | 9107560-01 | #28 AWG BUS WIRE | A/R | | | | | | | | | | | | | | | | | |
| 5 | 9107258-09 | #22 TUBING TEFLON, WHITE | A/R | | | | | | | | | | | | | | | | | |
| 6 | 9007597 | TERMINAL, SHAKEPROOF #2116-08-00 | 2 | | | | | | | | | | | | | | | | | |
| 7 | 9006034-01 | SCR PHL PAN HD #8-32 x .19 LG SST | 2 | | | | | | | | | | | | | | | | | |
| 8 | 9105740-44 | 30 AWG SOLID KYNAR INS. WIRE, YELLOW | A/R | | | | | | | | | | | | | | | | | |
| 9 | 9006120-06 | SCR PHL FIL HD #8-32 x .62 LG SST | 3 | | | | | | | | | | | | | | | | | |
| 10 | 1005900 | CAP 6.8 MFD 35V 10% | 2 | | | | | | | | | | | | | | | | | |
| 11 | 1001610 | CAP .01 MFD 100V 20% | 1 | | | | | | | | | | | | | | | | | |
| 12 | 1002627 | CAP 2.2 MFD 20V 10% | 1 | | | | | | | | | | | | | | | | | |
| REF | K-WL-PCØ5-Ø-2 | WIRE LIST | 1 | | | | | | | | | | | | | | | | | |
| 13 | 1300317 | RES 470 OHM 1/4 W 10% | 2 | | | | | | | | | | | | | | | | | |
| 14 | 1300231 | RES 100 ohm 1/4 W 5% | 1 | | | | | | | | | | | | | | | | | |
| 15 | A-DC-7411881-01 | DECAL LOGIC ASSY | 1 | | | | | | | | | | | | | | | | | |
| 16 | 3700040-00 | PACKAGING INSTRUCTIONS | REF | | | | | | | | | | | | | | | | | |
| 17 | 9905016-4 | COMPRESS - O - CARTON | A/R | | | | | | | | | | | | | | | | | |
| | | | | | | | | | | | | | | | | | | | | |
| | | | | | | | | | | | | | | | | | | | | |
| 21 | A-WT-7006253-0 | AWT REVISION STATUS | REF | | | | | | | | | | | | | | | | | |

| | | | | | | |
|----------------|------------------|-------|------|-------------|------|------------|
| TITLE | ASSY NO. | SIZE | CODE | NUMBER | REV. | ECO NO. |
| BUS BAR (PCØ5) | C-AD-7006253-0-0 | A | PL | 7006253-0-0 | D | PC05-00030 |
| | SHEET 1 OF 1 | DIST. | G | | | |