



LINE ITEM	DOCUMENT NUMBER	PART NUMBER	DESCRIPTION	QUANTITY PER VARIATION
1	1 <del>B-PL-TU58-D</del>	<del>TU-58-DB</del>	RACK MTG KIT (TU58) AND ACCESSORIES	1
2	2 B-PL-TU58-E-2	0TU58-EB	TU58-EX, I/O CABLES, 2 TU58-K MEDI	1

**PRELIMINARY**

REVISION HISTORY		BASIC PART NO: 0TU58		DRN:	D. HEALY	DATE:	20-MAY-80	D I G I T A I L			
ENGI	ECO NUMBER	REV	SECTION A OF A	CHK'D:	. HEALY <i>D.H.</i>	DATE:	20-MAY-80	TITLE PARTS LIST			
	INITIAL	A	SECTION. VARIATION INDEX					TU58-D-ASSY			
			(A) DA								
			(B)	DES.ENG.:	JEFF BEAN <i>J.B.</i>	DATE:	20-MAY-80				
			(C)	RESP.ENG.:	JIM WALLS <i>J.B.</i>	DATE:	19-JUN-80	DOCUMENT NUMBER			
			(D)					SIZE	CODE	NUMBER	REV
			(E)	MFG.ENG.:	AMOS SNELL <i>J.B.</i>	DATE:	19-JUN-80	K	PL	TU58-D-DBP	* B
			(F)	ASSEMBLY NUMBER:		TOP DOCUMENT NUMBER:		FILE NAME:		EDIT #	
				#NONE		#B-DD-TU58-D		Z1477A.PLS		6	

"THIS DRAWING AND SPECIFICATIONS HEREIN, ARE THE PROPERTY OF DIGITAL EQUIPMENT CORPORATION AND SHALL NOT BE REPRODUCED OR COPIED OR USED IN WHOLE OR IN PART AS THE BASIS FOR THE MANUFACTURE OR SALE OF ITEMS WITHOUT WRITTEN PERMISSION. COPYRIGHT (C) 1980. DIGITAL EQUIPMENT CORPORATION "

DIGITAL EQUIPMENT CORPORATION PARTS LIST				QUANTITY / VARIATION										NOTES:										
MADE BY D. HEALY DATE 17 JUN 80		CHECKED <i>D. Healy</i> DATE 19 JUN 80		SECTION 1																				
ENG <i>J. J. Bean</i> DATE 19 JUN 80		PROD <i>MICOS SNEELI G.B.</i> DATE 19 JUN 80		ISSUED SECTION 1																				
ITEM NO.	DRAWING NO.	PART NO.	DESCRIPTION	TU58-DA	TU58-DB																			REP DESIGNATION
1	B-TC-TU58-D-1	MP01063	PRINT SET TU58-DA		1																			
2	E-AD-7017835-0-0	7017835-00	Rack Mount Kit (TU58)	1	1																			
3	E-UA-TU58-E-0	TU58-EX	Powered Dual Drive Assy	1	1																			
4	B-PL-TU58-E-2	TU58-ED	Accessory Kit	1	1																			
5	A-SP-3700606-0-0	3700606-00	Packaging Instruct(TU58DA)	1	1																			
6	B-PL-TU58-D	TU58-DB	Rack Mount Kit and Access- ories	1	1																			
7	A-SP-3700582-0-0	3700582-00	Packaging Instructions (DB)	-	1																			
8	A-SP-3615946-00	3615946-00	Variation Tag	-	1																			

E.C.O. NO.

"THIS DRAWING AND SPECIFICATIONS, HEREIN, ARE THE PROPERTY OF DIGITAL EQUIPMENT CORPORATION AND SHALL NOT BE REPRODUCED OR COPIED OR USED IN WHOLE OR IN PART AS THE BASIS FOR THE MANUFACTURE OR SALE OF ITEMS WITHOUT WRITTEN PERMISSION. COPYRIGHT © 1980 DIGITAL EQUIPMENT CORPORATION"

TITLE  
TU58-DA SHIPPING LIST

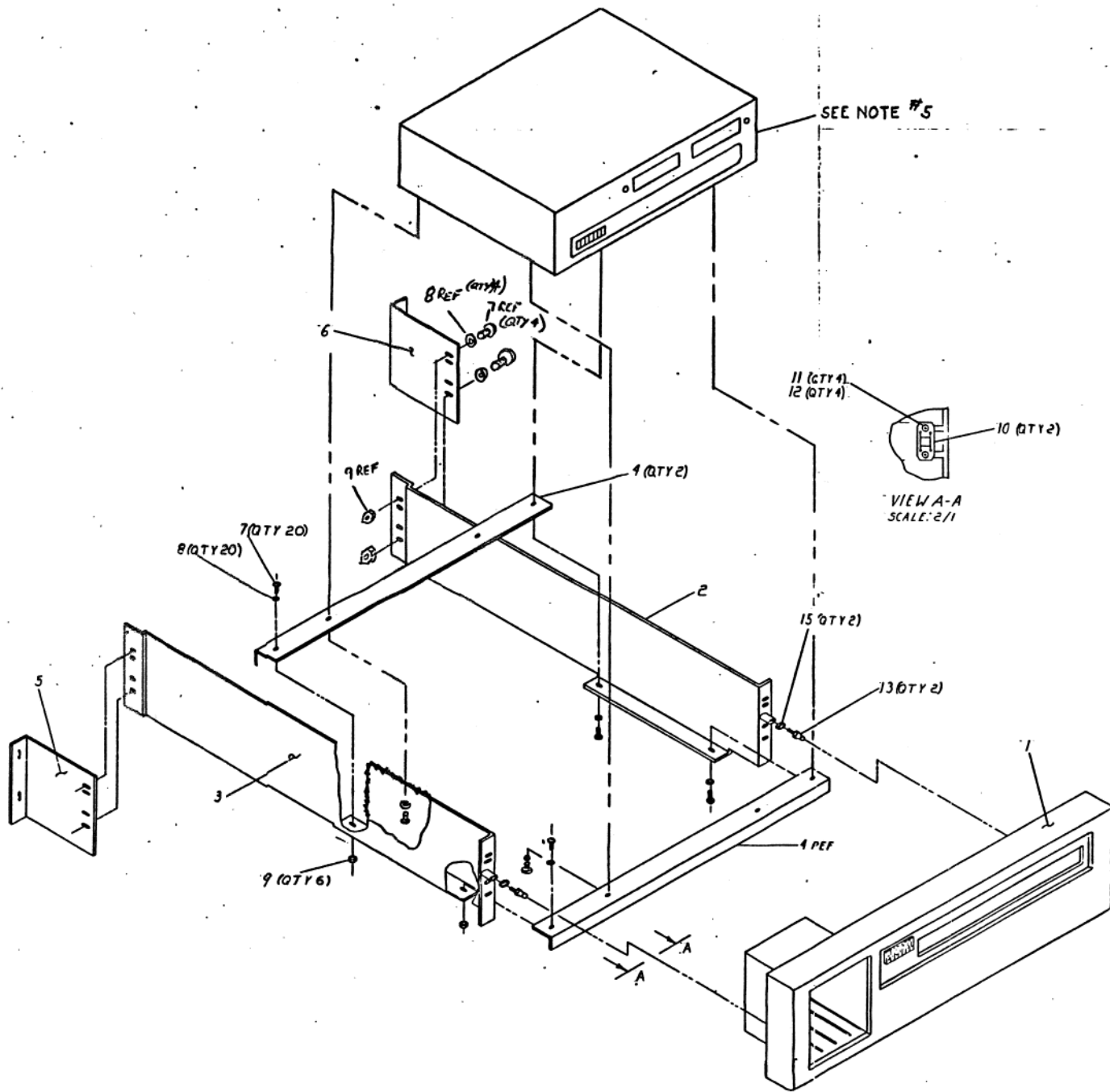
ASSY NO.  
NONE  
SHEET 1 OF 1

SIZE CODE NUMBER  
B PL T.458-D  
INSERTION DATE LIST DATE PRICE REV.

REV.  
B

DRB 125

**PRELIMINARY**



**NOTES:**

1. ALL HARDWARE CALLED OUT IN PARTS LIST (K-PL-7017835-0-0) IS TO BE SUPPLIED LOOSE IN PLASTIC BAG. EXCEPT ITEMS SPECIFIED IN NOTE #4
2. ALL PIECE PARTS ITEMS # 1 THRU 5 ARE TO BE SUPPLIED LOOSE & ARE ASSEMBLED AT HIGHER LEVEL.
3. FOR PACKAGING INSTRUCTIONS SEE A-SP-~~3700582-0-0~~ 3700582-0-0

4. ASSEMBLE ITEMS -  
1, 2, 3, 10, 11, 12, 13, & 15 BEFORE PACKAGING

5. FOR RACK MOUNTING, ASSEMBLE TU58 ENCLOSURE TO BRACKETS AS SHOWN.

**PRELIMINARY**

CAUTION: OFF SHEET PARTS LIST EXISTS  
SEE K-PL-~~TU58-D-DBP~~  
**7017835-0-DBP**

DESCRIPTION	DRAWING NO	PART NO	ITEM NO					
UNLESS OTHERWISE SPECIFIED DIMENSIONS ARE IN INCHES. FIRST USED ON AND THE FOLLOWING TOLERANCES APPLY (PER DEC STD 114) TU58-DA								
INCHES TOLERANCES	ANGLES ±0°30'	APPLICABLE DIMENSION RANGE	DIMENSION RANGE IN INCHES					
			OVER 0 TO 0.25	OVER 0.25 TO 0.48	OVER 0.48 TO 0.75	OVER 0.75 TO 1.00	OVER 1.00 TO 1.50	OVER 1.50 TO 3.00
± .01	± 30'	± .005	± .004	± .006	± .012	± .018	± .024	
QUANTITY & VARIATION	SURFACE QUALITY	FINISH	MICROINCHES					
± .01	± .01	± .01	± .01					
THIRD ANGLE PROJECTION		DATE 23 MAY 80	TITLE digital					
DO NOT SCALE DRAWING		DATE 16 JUN 80	RACK MOUNTING KIT (TU58)					
REMOVE BURRS AND BREAK SHARP CORNERS		DATE 2 June 80	DOCUMENT NUMBER					
MATERIAL SEE PARTS LIST		DATE 2 June 80	E AD7017835-0-0A					
FINISH		DATE 17 June 80	SCALE NONE SHEET 1 OF 1					
K-PL-TU58-D-0								

K-PL-7017835-0-0 A

LINE ITEM	DOCUMENT NUMBER	PART NUMBER	DESCRIPTION	QUANTITY PER VARIATION
1	C-MD-7422486-0-0	7422486-00	BEZEL,REWORK FOAM	1
2	D-IA-7424382-0-0	7424382-00	BRKT, MOUNTING	1
* 3	D-IA-7424382-0-0	7424382-01	BRKT,MTG (L.H.)\	1
4	D-MD-7424381-0-0	7424381-00	BRKT, SUPPORT	2
5	C-MD-7424678-0-0	7424678-00	BRKT, SUPPPORT (L.H.)	1
6	C-MD-7424678-0-0	7424678-01	BRKT, SUPPORT (R.H.)	1
7		9006073-03	SCREW,TRUS,PHIL, 10-32X 1/2	20
8		9006636-00	WASHER,LOCK,INT,.3800D X .200ID	20
9		9006565-00	NUT,KEP , 10-32X 3/8 AF	6
10		9008487-00	RETAINER, BALL STUD	2
11		9010036-00	SCREW, SLOTTED HEX. HEAD 4 X 5/1	4
12		9006632-00	WASHER,LOCK,INT,.2600D X .120ID	4
13		9008149-00	STUD, BALL, 6-32 X .155, .187 DI	2
14		9007786-00	RETAINER, U-NUT, 10-32	12
15		9006633-00	WASHER,LOCK,INT,.2800D X .146ID	2
16	A-SP-3700582-0-0	3700582-00	PKG KIT OPTION TU5B-DA	1

\*\*\*\*\* UNDERGOING CHANGE \*\*\*\*\*

REVISION HISTORY		BASIC PART NO: 7017835		DRN: JEFF BEAN	DATE: 20-MAY-80	DIGITAL	
ENG	ECD NUMBER	REV	SECTION A OF A	CHK'D: D. HEALY <i>D.A.</i>	DATE: 20-MAY-80	TITLE PARTS LIST	
	INITIAL	A	SECTION. VARIATION INDEX	DES.ENG.: JEFF BEAN <i>J.B.</i>	DATE: 02-JUN-80	DOCUMENT NUMBER	
			[A] 00	RESP.ENG.: JIM WALLS <i>J.B.</i>	DATE: 19-JUN-80	SIZE	CODE
			[B]	MFG.ENG.: AMOS SNELL <i>J.B.</i>	DATE: 19-JUN-80	K	PL
			[C]	ASSEMBLY NUMBER:	TOP DOCUMENT NUMBER:	FILE NAME:	EDIT #
			[D]	E-AD-7017835-0-0	B-PL-TU5B-D-0	Z1478A.PLS	5
			[E]				
			[F]				

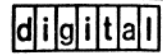
"THIS DRAWING AND SPECIFICATIONS HEREIN, ARE THE PROPERTY OF DIGITAL EQUIPMENT CORPORATION AND SHALL NOT BE REPRODUCED OR COPIED OR USED IN WHOLE OR IN PART AS THE BASIS FOR THE MANUFACTURE OR SALE OF ITEMS WITHOUT WRITTEN PERMISSION. COPYRIGHT (C) 1980. DIGITAL EQUIPMENT CORPORATION"



FIND NO.	DRAWING NO.	DESCRIPTION	TYPE	FIND NO.	DRAWING NO.	DESCRIPTION	TYPE
1	MP01063	RACK MTG ASSY TU58-DA (PRINT SET ORDER NO.)	-				
	B-TC-TU58-D-1	RACK MTG ASSY TU58-DA (FIELD MAINT. PRINT SET)	-				
	K-PL-TU58-D-DBP	TU58 BOX & RACK ASSY	E/M				
2	E-AD-7017505-0-0	RACK MOUNT KIT	M				
	K-PL-7017505-0-DBP	RACK MOUNT KIT (PL)	M				
	C-MD-7422486-0-0	BEZEL, FOAM, TU58	M				
	D-IA-7424382-0-0	BRACKET, MOUNTING	M				
	D-MD-7424381-0-0	BRACKET, SUPPORT	M				
	C-MD-7424678-0-0	BRACKET, SUPPORT	K				
	A-SP-3700582-0-0	PACKAGING INSTRUCTIONS					
3	A-SP-3700606-0-0	PACKAGING INSTRUCTIONS	M				
4	B-PL-TU58-E-2	TU58 BOX ASSEMBLY (TU58-EB)	E/M				
	D-UA-BC22Y-0-0	I/O CABLE	E/M				
	D-UA-BC22Z-0-0	I/O CABLE	E/M				
5	B-DD-TU58-E	POWERED DUAL DRIVE ASSY	E/M				
6	B-PL-7016753-0-0	INSTALLATION ASSY (KIT)	M				
	C-MD-7422173-0-0	BRACKET, MOUNTING	M				
7	B-DD-TU58-K	MEDIA CARTRIDGE	E/M				
8	B-PL-TU58-DA	RACK MTG ASSY TU58 (SHIPPING LIST)	E/M				

PRELIMINARY

TYPE: E ELECTRICAL  
M MECHANICAL  
E/M ELECTRO-MECHANICAL



TITLE RACK MOUNT ASSY TU58

SHEET 2 OF 2

SIZE CODE B DD

NUMBER TU58-D

B REV