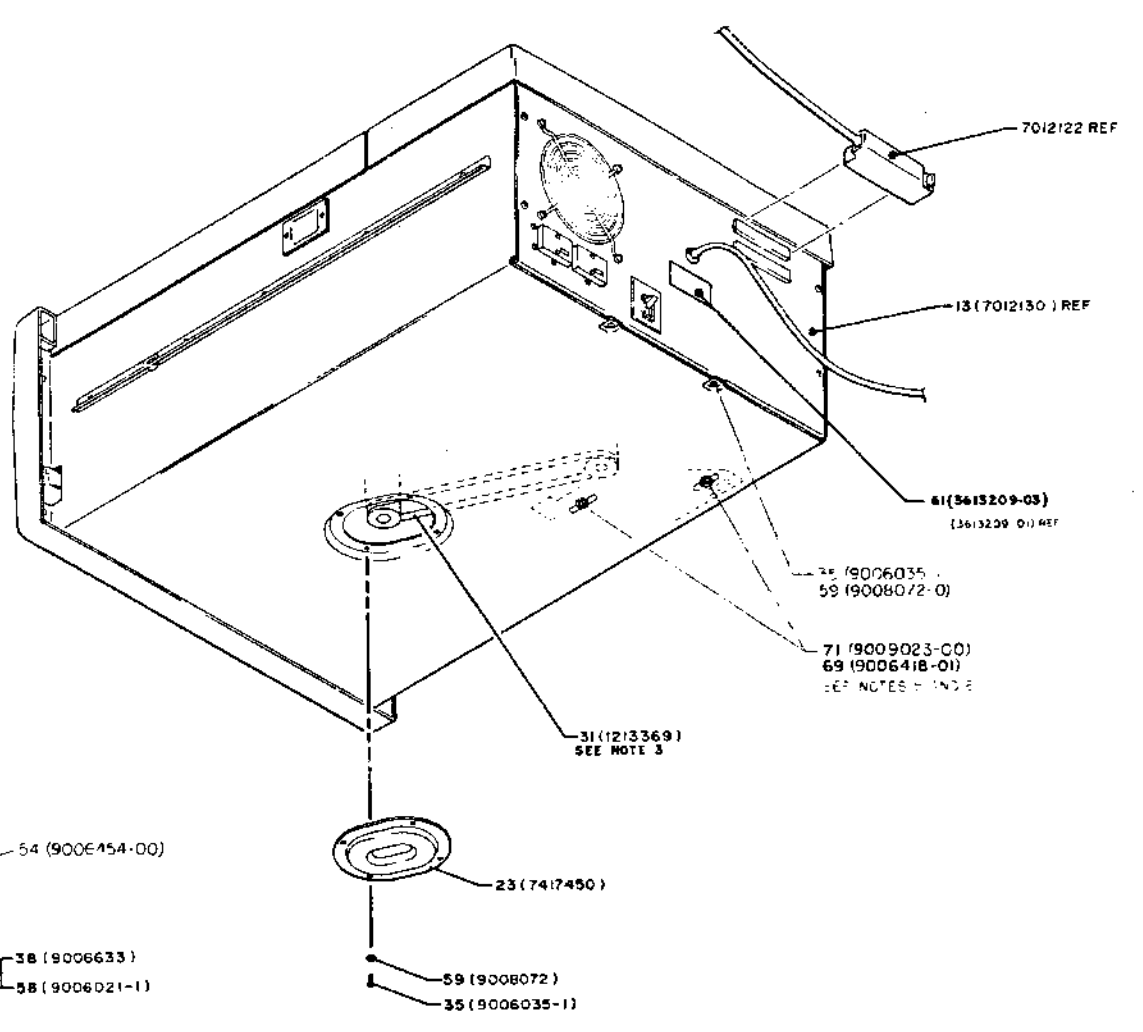
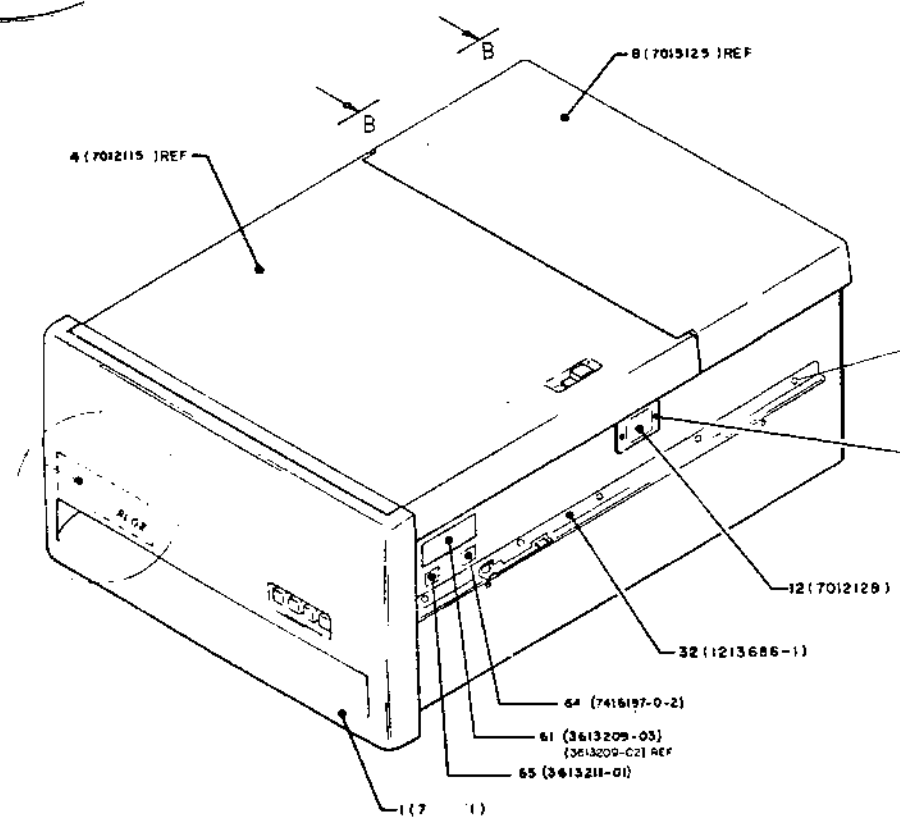
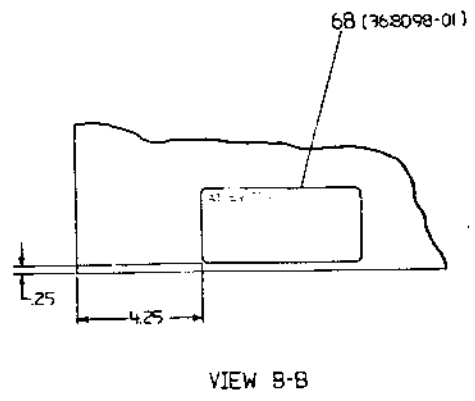
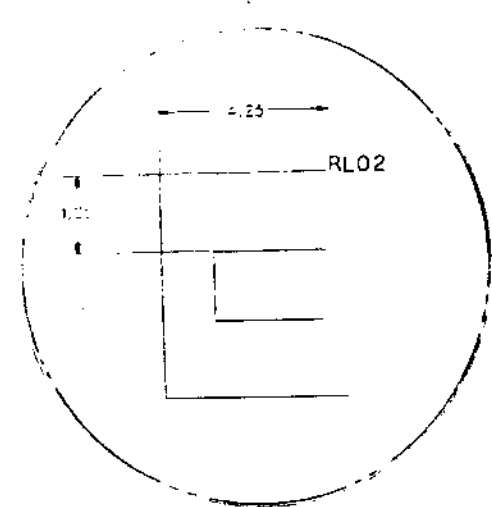


REVISIONS

- NOTES**
- 1 LOWER HEAD (ITEM 65) SHALL BE POSITIONED REAR ARDS AGAINST PIN IN CARRIAGE
 - 2 ALL SCREWS TO BE TIGHTENED AS FOLLOWS:
 4-40 SCREW, TORQUE 35 ± 0.5 IN LBS
 6-32 " " 50 ± 1.0 " "
 8-32 " " 100 ± 1.0 " "
 10-32 " " 180 ± 2.0 " "
 - 3 DRIVE BELT TENSION 100 ± 1.0 LBS.
 - 4 4-40 HEAD MOUNTING BOLTS TO BE TIGHTENED TO 52.5 IN. LBS.
 - 5 TORQUE 8-32 SELF TAPPING HARDWARE (ITEM 69) TO .6-18 IN LBS.
 - 6 BLOWER HOUSING SECURING HARDWARE TO BE REMOVED BEFORE OPERATING UNIT.



REV	DATE	BY	CHKD	DESCRIPTION
1				INITIAL RELEASE
2				REVISION
3				REVISION
4				REVISION
5				REVISION
6				REVISION
7				REVISION
8				REVISION
9				REVISION
10				REVISION

CAUTION
 OFF-SHEET PARTS LIST EXISTS.
 SEE K-PL RL02-0 DBP (20485).

REV	DATE	BY	CHKD	DESCRIPTION
1				INITIAL RELEASE
2				REVISION
3				REVISION
4				REVISION
5				REVISION
6				REVISION
7				REVISION
8				REVISION
9				REVISION
10				REVISION

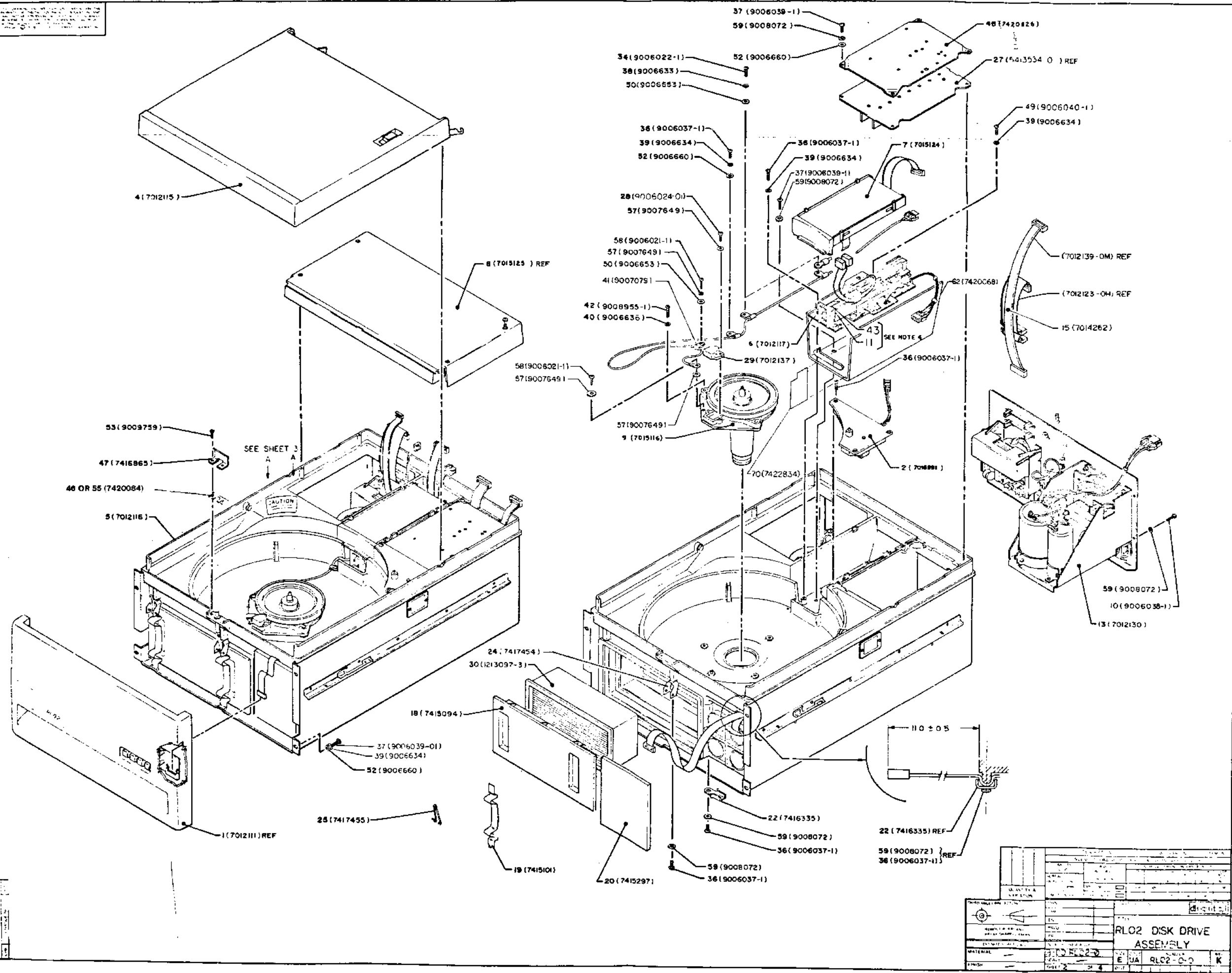
RL02

RL02 DISK DRIVE ASSEMBLY

SEE PARTS LIST

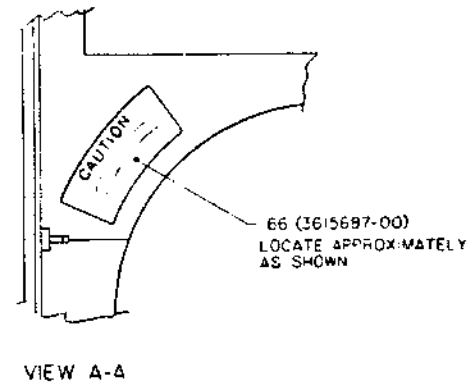
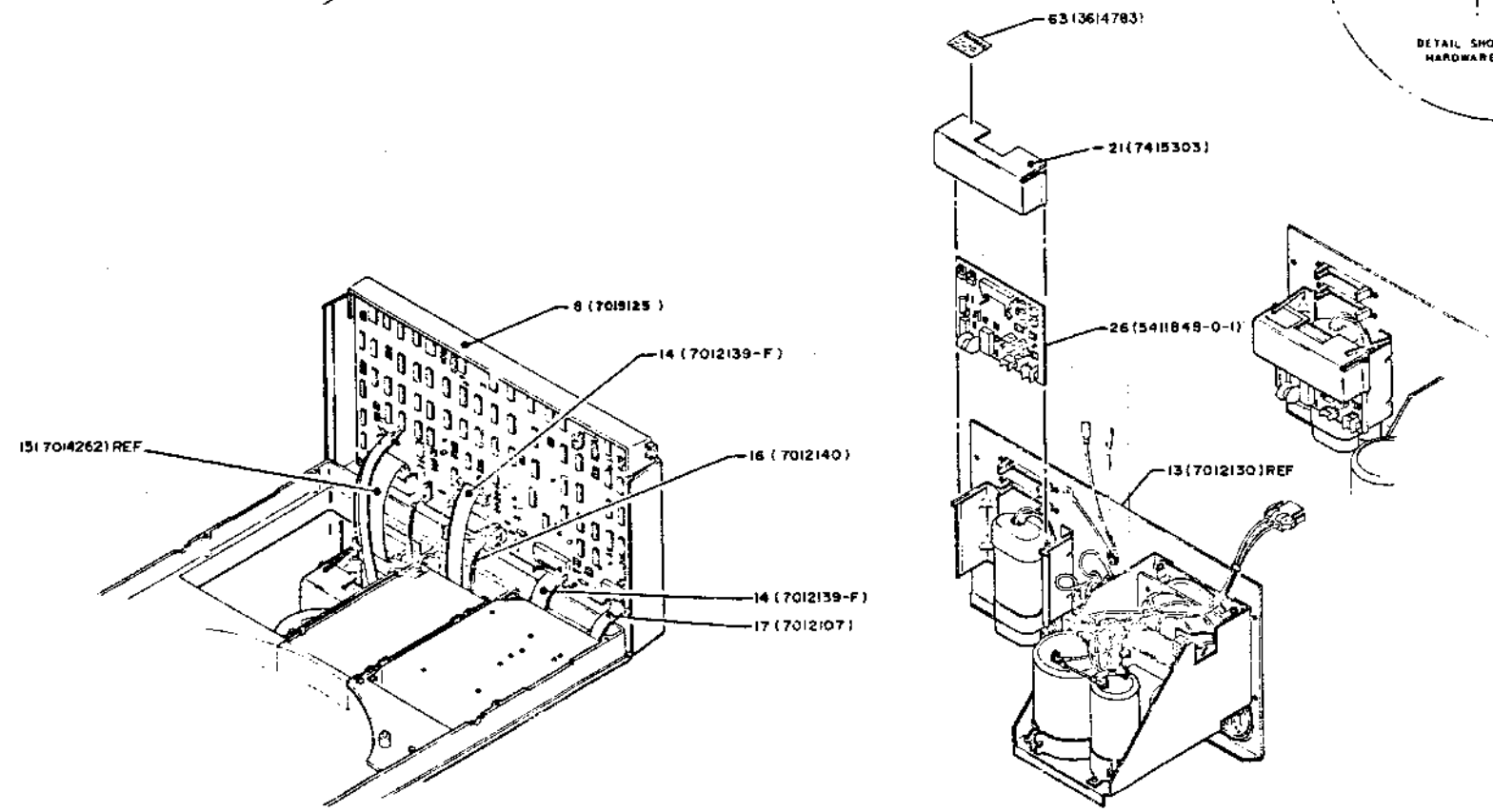
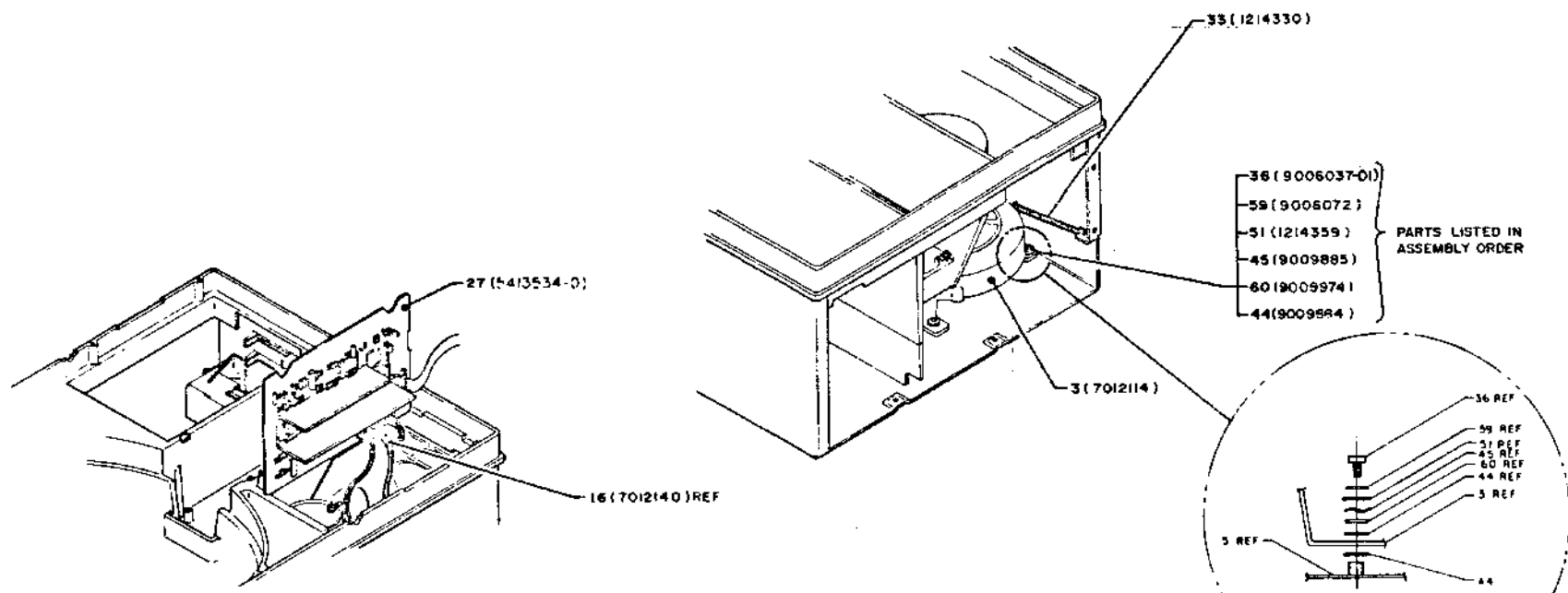
REV 1

1. THIS DRAWING IS THE PROPERTY OF THE GOVERNMENT AND IS LOANED TO YOUR ORGANIZATION. IT AND ITS CONTENTS ARE NOT TO BE DISTRIBUTED OUTSIDE YOUR ORGANIZATION.

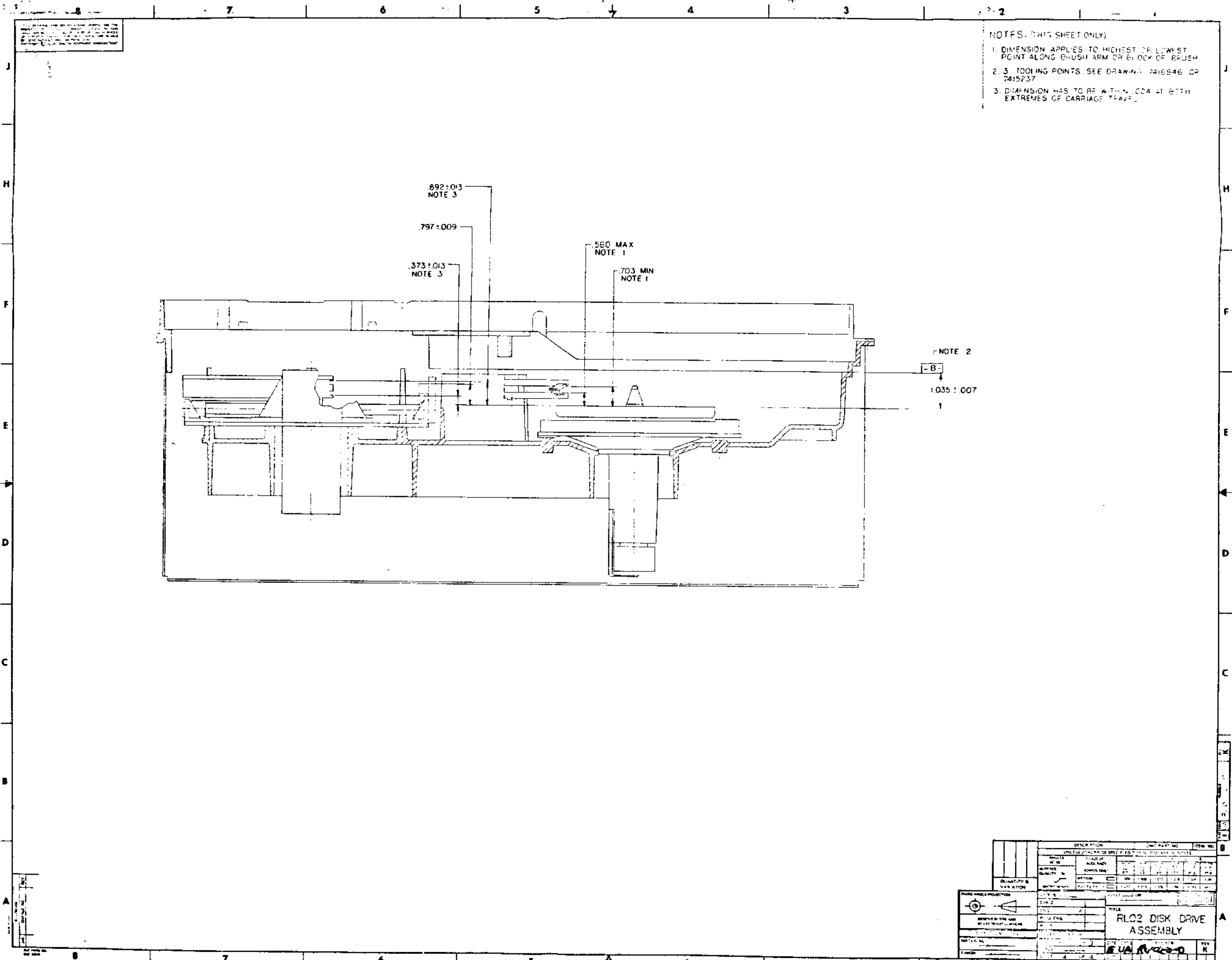


TITLE: RLO2 DISK DRIVE ASSEMBLY		DRAWING NO: 7415297	
MATERIAL: 7415297		QUANTITY: 1	
DATE: 12-1-68		BY: EUA	
CHECKED:		APPROVED:	
DESIGNED:		DRAWN:	
ENGINEER:		MANUFACTURED:	
TESTED:		ASSEMBLED:	
INSPECTED:		SHIPPED:	
REVISIONS:		PARTS LIST:	
1.		1.	
2.		2.	
3.		3.	
4.		4.	
5.		5.	
6.		6.	
7.		7.	
8.		8.	
9.		9.	
10.		10.	
11.		11.	
12.		12.	
13.		13.	
14.		14.	
15.		15.	
16.		16.	
17.		17.	
18.		18.	
19.		19.	
20.		20.	
21.		21.	
22.		22.	
23.		23.	
24.		24.	
25.		25.	
26.		26.	
27.		27.	
28.		28.	
29.		29.	
30.		30.	
31.		31.	
32.		32.	
33.		33.	
34.		34.	
35.		35.	
36.		36.	
37.		37.	
38.		38.	
39.		39.	
40.		40.	
41.		41.	
42.		42.	
43.		43.	
44.		44.	
45.		45.	
46.		46.	
47.		47.	
48.		48.	
49.		49.	
50.		50.	
51.		51.	
52.		52.	
53.		53.	
54.		54.	
55.		55.	
56.		56.	
57.		57.	
58.		58.	
59.		59.	
60.		60.	
61.		61.	
62.		62.	
63.		63.	
64.		64.	
65.		65.	
66.		66.	
67.		67.	
68.		68.	
69.		69.	
70.		70.	
71.		71.	
72.		72.	
73.		73.	
74.		74.	
75.		75.	
76.		76.	
77.		77.	
78.		78.	
79.		79.	
80.		80.	
81.		81.	
82.		82.	
83.		83.	
84.		84.	
85.		85.	
86.		86.	
87.		87.	
88.		88.	
89.		89.	
90.		90.	
91.		91.	
92.		92.	
93.		93.	
94.		94.	
95.		95.	
96.		96.	
97.		97.	
98.		98.	
99.		99.	
100.		100.	

11-40P



REV	DESCRIPTION	DATE	BY	CHKD	APP'D
1	ASSEMBLY				
2					
3					
4					
5					
6					
7					
8					
9					
10					
11					
12					
13					
14					
15					
16					
17					
18					
19					
20					
21					
22					
23					
24					
25					
26					
27					
28					
29					
30					
31					
32					
33					
34					
35					
36					
37					
38					
39					
40					
41					
42					
43					
44					
45					
46					
47					
48					
49					
50					
51					
52					
53					
54					
55					
56					
57					
58					
59					
60					
61					
62					
63					
64					
65					
66					
67					
68					
69					
70					
71					
72					
73					
74					
75					
76					
77					
78					
79					
80					
81					
82					
83					
84					
85					
86					
87					
88					
89					
90					
91					
92					
93					
94					
95					
96					
97					
98					
99					
100					



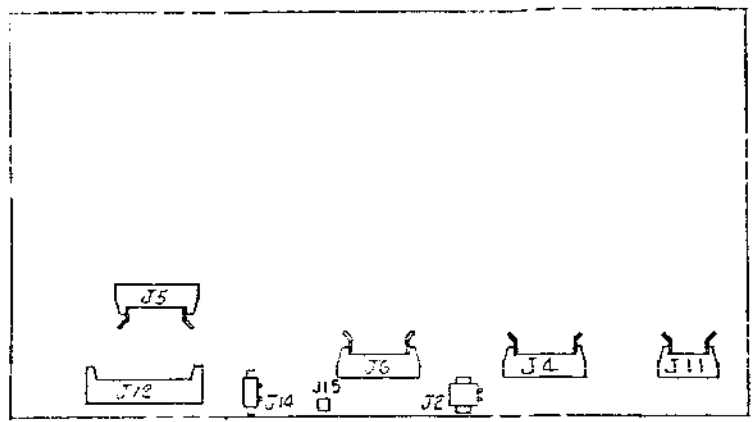
NOTES (THIS SHEET ONLY)

1. DIMENSION APPLIES TO HIGHEST OR LOWEST POINT ALONG BRUSH ARM OR BLOCK OF BRUSH
2. 3. TOOLING POINTS. SEE DRAWING 7416846 OR 7415237
3. DIMENSION HAS TO BE WITHIN .004 AT BOTH EXTREMES OF CARRIAGE TRAVEL

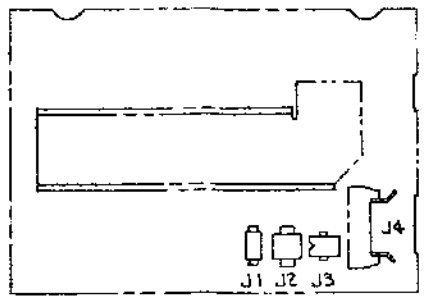
NOTE 2
 -B-
 .035 ± 0.007

QUANTITY & VARIATION		DESCRIPTION		UNIT	QTY	NO.												
<table border="1"> <tr> <th>REV</th> <th>DATE</th> <th>BY</th> <th>CHKD</th> <th>APP'D</th> <th>DESCRIPTION</th> </tr> <tr> <td> </td> <td> </td> <td> </td> <td> </td> <td> </td> <td> </td> </tr> </table>							REV	DATE	BY	CHKD	APP'D	DESCRIPTION						
REV	DATE	BY	CHKD	APP'D	DESCRIPTION													
		TITLE RLO2 DISK DRIVE ASSEMBLY		DRAWN BY UA														
CHECKED BY UA		DATE 11/10/60		SCALE 1:1														

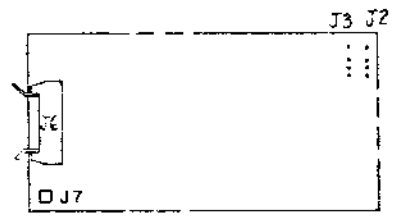
THIS DRAWING IS THE PROPERTY OF THE
 RAND CORP. IT IS TO BE USED ONLY FOR THE
 PROJECT AND FOR WHICH IT WAS PREPARED.
 IT IS NOT TO BE REPRODUCED OR
 TRANSMITTED IN ANY FORM OR BY ANY
 MEANS, ELECTRONIC OR MECHANICAL,
 INCLUDING PHOTOCOPYING, RECORDING,
 OR BY ANY INFORMATION STORAGE AND
 RETRIEVAL SYSTEM, WITHOUT THE
 WRITTEN PERMISSION OF RAND CORP.
 1978 RAND CORP. EQUIPMENT CORPORATION



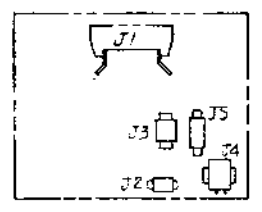
LOGIC BOARD
 FIG 1



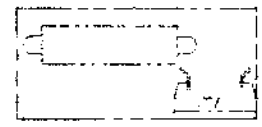
D.C. SERVO BOARD
 FIG 4



R/H BOARD
 FIG 2



A.C. SERVO BOARD
 FIG 5

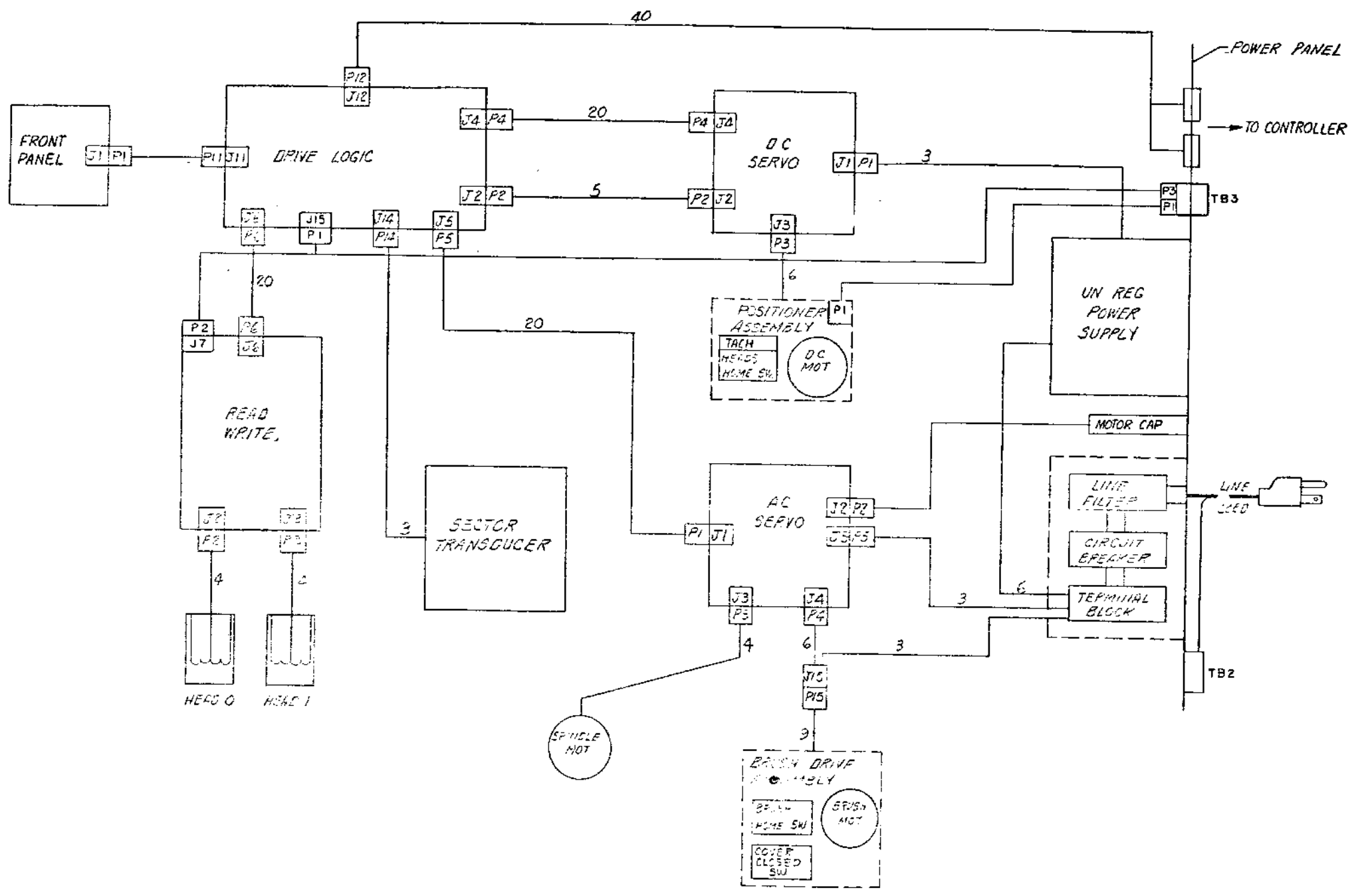


FRONT PANEL BOARD
 FIG 3

REV	A	B	C
1	W. MILLER		
2	S. K. KUENZEL		
3	J. K. KUENZEL		
4	M. ZARICH		
5	M. ZARICH		

DESCRIPTION		DWG. PART NO.	ITEM NO.
UNLESS OTHERWISE SPECIFIED DIMENSIONS ARE IN INCHES			
ANGLES 90°/30°	CLASS OF ACCURACY	DIMENSIONS IN INCHES	
SURFACE QUALITY IN	CHECK ONE	0.015	0.010
		0.010	0.008
QUANTITY & VARIATION	MEDIUM	0.008	0.006
THIRD ANGLE PROJECTION	PREFERRED	0.006	0.004
REMOVE BURRS AND BREAK SHARP CORNERS	AS SHOWN	0.004	0.002
DO NOT SCALE	AS SHOWN	0.002	0.001
DATE	25 SEP 78	TITLE	
BY	W. MILLER	RL02	
CHECKED	M. ZARICH	RL02	
APPROVED	M. ZARICH	SYSTEM CABLING	
DATE		REV	C
BY		REV	
DATE		REV	

THIS DRAWING AND SPECIFICATIONS HEREIN ARE THE PROPERTY OF DIGITAL EQUIPMENT CORPORATION. NO PARTS OF THIS DRAWING OR SPECIFICATIONS ARE TO BE REPRODUCED OR TRANSMITTED IN ANY FORM OR BY ANY MEANS, ELECTRONIC OR MECHANICAL, INCLUDING PHOTOCOPYING, RECORDING, OR BY ANY INFORMATION STORAGE AND RETRIEVAL SYSTEM, WITHOUT PERMISSION IN WRITING FROM DIGITAL EQUIPMENT CORPORATION.



QUANTITY & VARIATION		DESCRIPTION		DWG PART NO.		ITEM NO.	
1		SYSTEM CABLING		RL02		RL02-0-3	
MATERIAL		B-00-RL02-0		SIZE CODE		NUMBER	
FINISH		D 10		REV		C	

D
 C
 B
 A
 RL02-0-3
 C

AUTOMATED BY PRTLST.3J(25)

PARTS LIST

QUANTITY PER VARIATION
00

LINE ITEM	DOCUMENT NUMBER	PART NUMBER	DESCRIPTION	QUANTITY PER VARIATION
1	D-AD-7012111-0-0	7012111-00	BEZEL ASSY	1
2	D-AD-7012112-0-0	7012112-00	BRUSH DRIVE ASSY	1
3	E-AD-7012114-0-0	7012114-00	DISK MOTOR ASSY	1
4	E-AD-7012115-0-0	7012115-00	FRONT COVER ASSY	1
5	E-AD-7012116-0-0	7012116-00	MAIN CHASSIS ASSY	1
6	D-AD-7012117-0-0	7012117-00	POSITIONER ASSY	1
7	D-AD-7015124-0-0	7015124-00	RL02 R/W BOX ASSY	1
8	D-AD-7015125-0-0	7015125-00	RL02 REAR COVER ASSY	1
9	D-AD-7015116-0-0	7015116-00	SPINDLE ASSY	1
10		9006038-01	SCREW,PAN,PHIL 8-32X 7/16 SS	4
11	D-IA-7015637-0-0	7015637-00	RL02 DATA HEAD 'A' UP	1
12	B-AD-7012128-0-0	7012128-00	ACCESS COVER ASSEMBLY	1
13	D-AD-7012130-0-0	7012130-00	POWER PANEL ASSEMBLY	1
14	B-IA-7012139-0-0	7012139-0F	INTERCONNECT CABLE	2
15	B-IA-7014262-0-0	7014262-00	INTERCONNECT CABLE ASSEMBLY	1
16	C-IA-7012140-0-0	7012140-00	POWER HARNESS DC	1
17	B-IA-7012107-0-0	7012107-3D	INTERCONNECT CABLE	1
18	D-MD-7415094-0-0	7415094-00	REAR COVER	1
19	C-MD-7415101-0-0	7415101-00	SPRING, PLENUM COVER	2
20	C-MD-7415297-0-0	7415297-00	FILTER,PAD	1
21	C-MD-7415303-0-0	7415303-00	COVER AC SERVO	1
22	C-MD-7416335-0-0	7416335-00	CABLE RETAINER	1
23	D-MD-7417450-0-0	7417450-00	HATCH	1
24	C-MD-7417454-0-0	7417454-00	BRACKET PLENUM	2
25	C-MD-7417455-0-0	7417455-00	LATCH PLENUM	2
26	B-UA-5411848-0-0	5411848-00	ETCH BRD 54-11848	1
27	D-UA-5413534-0-0	5413534-00	DC SERVO + POWER SUPPLY (RL02)	1
28		9006024-01	SCREW,PAN,PHIL 6-32X 1/2 SS	2
29	D-AD-7012137-0-0	7012137-00	TRANSDUCER ASSY	1
30		1213097-00	FILTER,AIR,HEPA,33CFM	1

REVISION HISTORY		BASIC PART NO:	ORLO2	DRN:	W.GRIMES	DATE:	15 FEB 78	DIGITAL		
ENG:	ECD NUMBER	REV	SECTION A OF A	CHK'D:	W.MAJOR	DATE:	15 FEB 78	TITLE	PARTS LIST	
	RL02-CZ002	A	SECTION. VARIATION INDEX					RL02 DISK DRIVE ASSEMBLY		
BM	RL02-CX003	B	[A] 00							
BM	RL02-CX004	C		DES.ENG.:	B.MILLER	DATE:	15-MAR-79			
KG	RL02-CX006A	D	[B]					DOCUMENT NUMBER		
KG	RL02-CX008	E	[C]	RESP.ENG.:	B.MILLER	DATE:	15-MAR-79	SIZE:CODE:	NUMBER	REV
KG	RL02-CX009	F	[D]					K	PL	RL02-0-DBP
MZ	RL02-CX010	H	[E]	MFG.ENG.:	D.LICK	DATE:	15 MAR 79			H
			[F]	ASSEMBLY NUMBER:		TOP DOCUMENT NUMBER:		FILE NAME:		EDIT #
				E-UA-RL02-0-0		# B-DD-RL02-0		Z0485H.PLS		18

*THIS DRAWING AND SPECIFICATIONS HEREIN, ARE THE PROPERTY OF DIGITAL EQUIPMENT CORPORATION AND SHALL NOT BE REPRODUCED OR COPIED OR USED IN WHOLE OR IN PART AS THE BASIS FOR THE MANUFACTURE OR SALE OF ITEMS WITHOUT WRITTEN PERMISSION. COPYRIGHT (C) 1980. DIGITAL EQUIPMENT CORPORATION *

AUTOMATED BY PRTLST.3J(25)

PARTS LIST

QUANTITY PER VARIATION
00

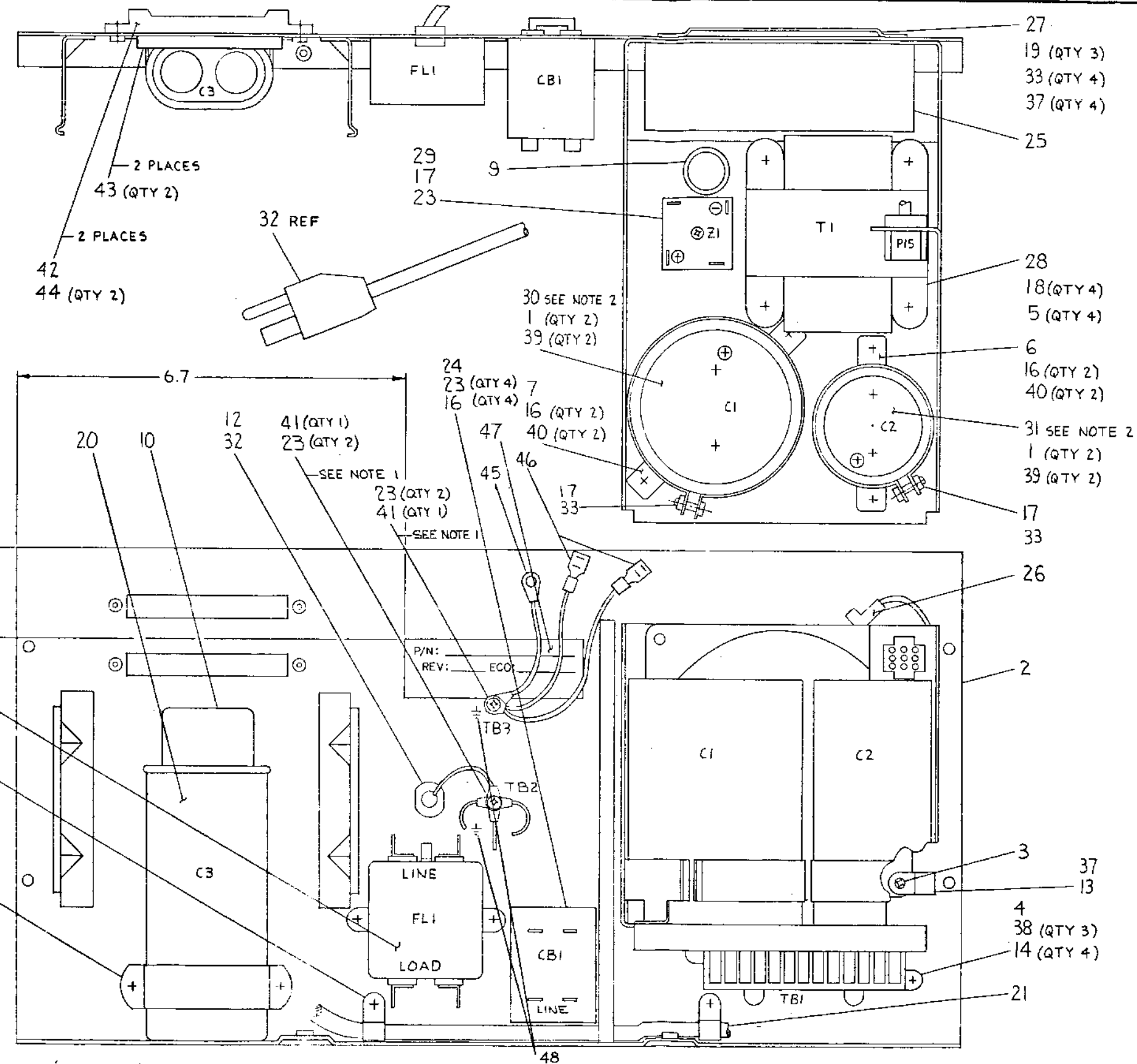
LINE ITEM	DOCUMENT NUMBER	PART NUMBER	DESCRIPTION	QUANTITY PER VARIATION
31		1213369-00	BELT,WOVEN,ENDLESS.375WX27.148LB	1
32		1213686-01	MOUNTING RAIL FOR 12-13686-00	1
33		1214330-00	SPRING,EXTENSION,2.SLGX.360D	1
34		9006022-01	SCREW,PAN,PHIL 5-32X 3/8 SS	2
35		9006035-01	SCREW,PAN,PHIL 8-32X 1/4 SS	6
36		9006037-01	SCREW,PAN,PHIL 8-32X 3/8 SS	13
37		9006039-01	SCREW,PAN,PHIL 8-32X 1/2 SS	12
38		9006633-00	WASHER,LOCK,INT,.2800D X .146ID	4
39		9006634-00	WASHER,LOCK,INT,.2300D X .172ID	15
40		9006636-00	WASHER,LOCK,INT,.3800D X .200ID	3
41		9007079-00	CLAMP,CABLE,SCREW MNT,1/8"	4
42		9008955-01	SCREW,PAN,PHIL 10-32X 15/16SS	3
43	D-IA-7015637-0-0	7015637-01	RL02 DATA HEAD 'A' DN	1
44		9009884-00	WASHER,FLAT,TEFLON .62 OD X.31	4
45		9009885-00	WASHER,SPRING	2
46	B-MD-7420084-0-0	7420084-00	SHIM,LATCH	A/R
47	C-MD-7416865-0-0	7416865-00	BRACKET LATCH	1
48	D-MD-7420826-0-0	7420826-00	COVER,DC SERVO BOARD	1
49		9006040-01	SCREW,PAN,PHIL 8-32X 5/8 SS	2
50		9006653-00	WASHER,FLAT,.375 O.D. X .156 I	3
51		1214359-00	WASHER,FLAT,S/S .169ID X .620D X	2
52		9006660-00	WASHER,FLAT,.375 O.D. X .187 I	11
53		9009759-00	SCREW,FLAT,PHIL, 8-32X 3/8	2
54		9006454-00	RIVET,BLIND,.156 DIA X .254 LG	10
55	B-MD-7420084-0-0	7420084-01	SHIM LATCH	A/R
56		3700406-00	INSTR PKG DISK RL01 DRIVE	1
57		9007649-00	WASHER,LOCK,EXTERNAL TOOTH #6	5
58		9006021-01	SCREW,PAN,PHIL 6-32X 5/16 SS	4
59		9008072-00	WASHER,LOCK,EXTERNAL TOOTH #8	21
60		9009974-00	WASHER,FLAT,METAL,.62 O.D. X	2
61		3613209-03	LABEL,ELECTRICAL DATA VARIATIO	1
62	D-MD-7420068-0-0	7420068-00	SHIELD POSITIONER	1
63		3614783-00	LABEL,ADH BACK "DANGER HIGH VOLT	1
64	A-DC-7416197-0-0	7416197-02	DECAL,LA36	1
65		3613211-01	DECAL,CLEAR PREPRINTED CSA 1-1/4	1
66		3615687-00	LABEL,ADHESIVE BACK FOR RL02	1
67		3615393-05	LABEL,RUB-ON,RL02	1
68		3616643-00	LABEL,CAUTION	1
69		9006418-01	SCREW,TAPPING,TYPE TT,PAN,PHIL,	2
70	B-MD-7422834-0-0	7422834-00	INSULATOR,HEAD CABLE	1
71		9009023-00	WASHER,LOCK,INT,.3300D X .172ID	2
72	C-IA-7017608-0-0	7017608-00	*** THIS ITEM IS NOT USED ***	-
73	B-IA-7017609-0-0	7017609-00	*** THIS ITEM IS NOT USED ***	-

DIGITAL		TITLE	SECTION A OF A	SIZE:CODE:	DOCUMENT NUMBER	REV
		RL02 DISK DRIVE ASSEMBLY		K	PL	RL02-0-DBP
						H

THIS DRAWING AND SPECIFICATIONS, HEREIN, ARE THE PROPERTY OF DIGITAL EQUIPMENT CORPORATION AND SHALL NOT BE REPRODUCED OR COPIED OR USED IN WHOLE OR IN PART AS THE BASIS FOR THE MANUFACTURE OR SALE OF ITEMS WITHOUT WRITTEN PERMISSION.
 COPYRIGHT © 1979, DIGITAL EQUIPMENT CORPORATION

AD7012130-0-0 2

NOTES:
 1. INT TOOTH LOCK WASHERS (ITEM 23) ARE USED OVER AND UNDER GROUND TERMINALS.
 2. ORIENT TERMINALS AS SHOWN.



CAUTION: OFF SHEET PARTS LIST EXISTS.
 SEE K-PL-7012130-0-DBP (ZØ849)

REV.	CHANGE NO.	DESCRIPTION
A	1	RELI. AS-BLD AT REV. A
B	2	REV. B
C	3	REV. C
D	4	REV. D
E	5	REV. E
F	6	REV. F
H	8	REV. H
J	10	REV. J
K	11	REV. K
L	12	REV. L
M	13	REV. M
N	14	REV. N
P	15	REV. P
R	16	REV. R
S	17	REV. S
T	18	REV. T
U	19	REV. U
V	20	REV. V

QUANTITY & VARIATION		UNLESS OTHERWISE SPECIFIED DIMENSIONS ARE IN INCHES						
DRN. D. VALLENBERG	23 JUN 77	FIRST USED ON						
CHK'D. SCHNEIDER	23 JUN 77	RLØ						
ENG. G. SCHNEIDER	23 JUN 77	TITLE						
PROJ. ENG. R. SCHNEIDER	23 JUN 77	POWER PANEL ASSY						
PROD. G. SYLVA	23 JUN 77	SIZE CODE NUMBER REV.						
DO NOT SCALE DWG	NEXT HIGHER ASSY.	SCALE: 1"=1'-0"	D	AD7012130-0-0	1	V		
MATERIAL SEE PARTS LIST		SHEET	OF 3	DIST.				

THIS DRAWING AND SPECIFICATIONS HEREIN ARE THE PROPERTY OF DIGITAL EQUIPMENT CORPORATION AND SHALL NOT BE REPRODUCED OR COPIED OR USED IN WHOLE OR IN PART AS THE BASIS FOR THE MANUFACTURE OR SALE OF ITEMS WITHOUT WRITTEN PERMISSION. COPYRIGHT © 1978 DIGITAL EQUIPMENT CORPORATION

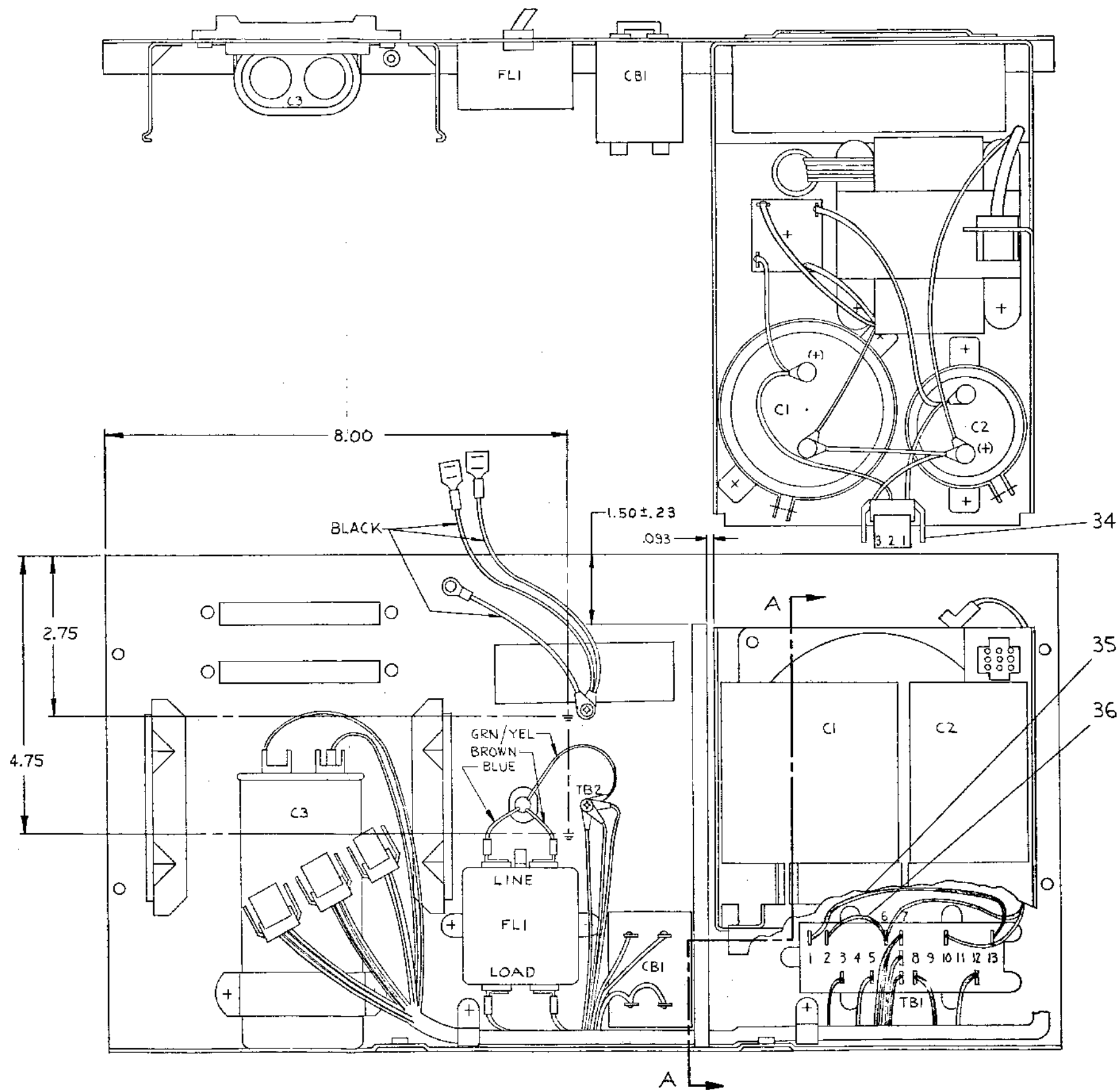
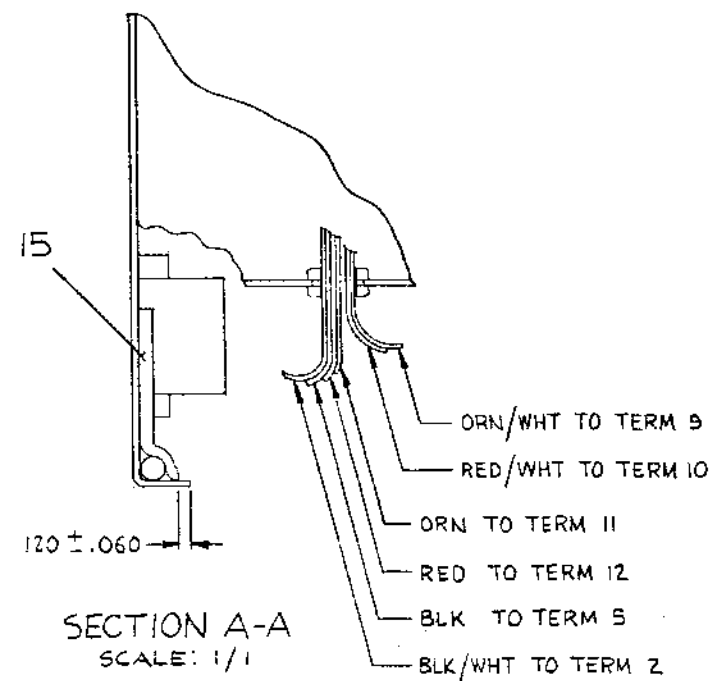
NOTES:

1. INPUT VOLTAGE 50 OR 60 HZ
90-110, 105-128 VAC
180-220, 210-256 VAC
2. OUTPUT VOLTAGE ± 11.5 VDC MIN AT MIN POINT OF THE RIPPLE. 18 VDC MAX AT HIGH LINE. (MAX OF 25 VDC AT HIGH LINE NO LOAD).
3. OUTPUT CURRENT: POSITIVE OUTPUT
2.5 AMP CONTINUOUS
3.5 AMP PULSE "25 MS"
NEGATIVE OUTPUT
.25 AMP CONTINUOUS
3.5 AMP PULSE "25 MS"
PULSE CURRENT ON ALTERNATE OUTPUT AT A 65 MS OUT CYCLE.
4. OUTPUT RIPPLE AT 110 VOLTS

A. NO LOAD	100 MV P/P
B. +2.5 A	600 MV P/P
-.25 A	300 MV P/P
C. +2.5 A	600 MV P/P
-3.75 A	1.5 V DURING PULSE

 RIPPLE AT 90 V RMS

+2.5 A	500 MV
-3.75 A	2 V
+6 A	900 MV
-.25 A	400 MV
5. HIGH POT TEST PER UL 478
CONNECT BOTH AC LEADS TO THE POSITIVE TERMINAL OF THE SUPPLY AND GRN WIRE GROUND TO THE NEGATIVE TERMINAL OF THE SUPPLY. CLOSE CIRCUIT BREAKER AND INCREASE VOLTAGE TO 1750 VDC, ANY CURRENT INDICATES FAILURE.

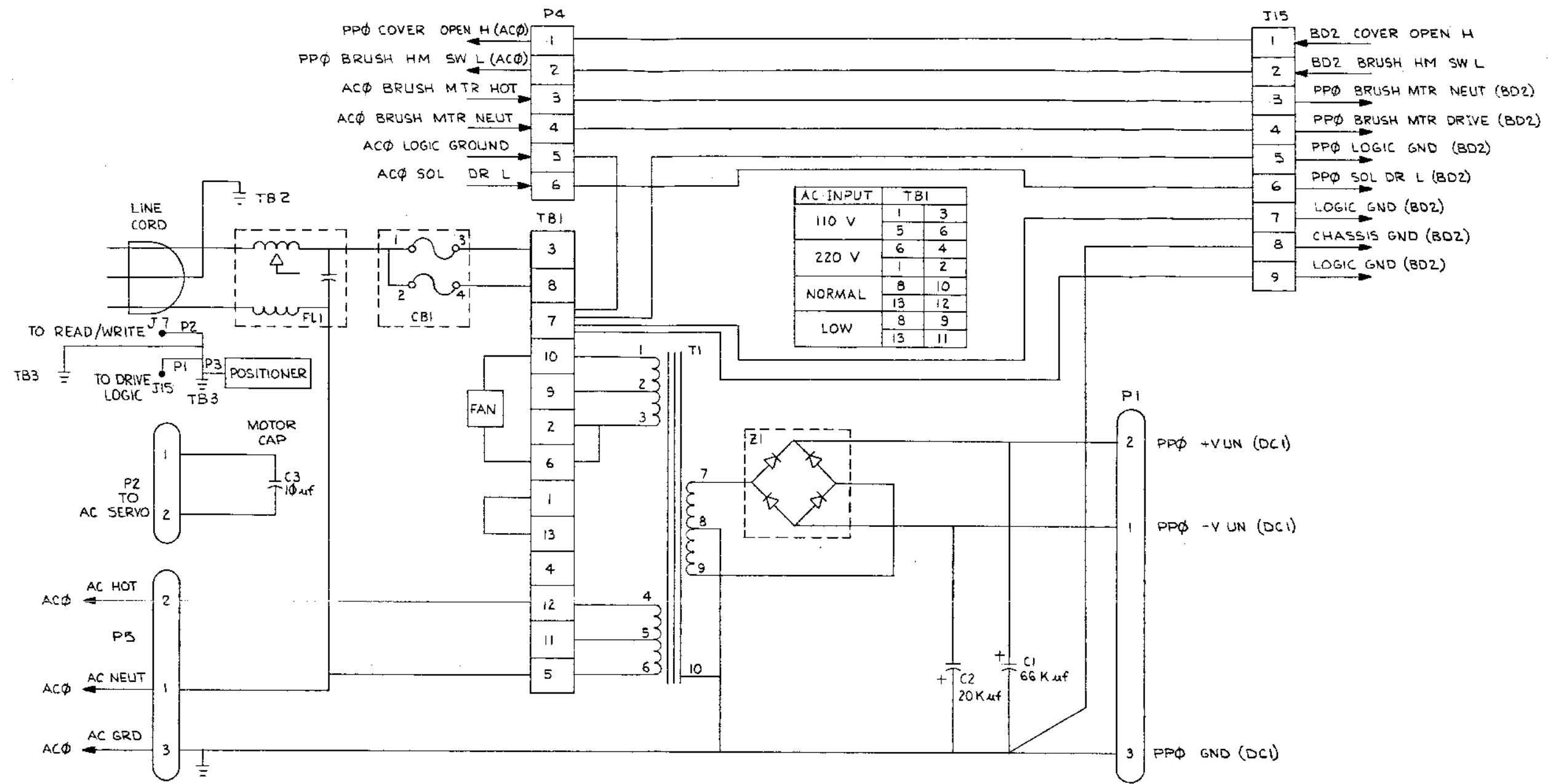


REVISIONS		
CHK	CHANGE NO.	REV.

TITLE	POWER PANEL ASSY	SIZE CODE	D	NUMBER	AD7012130-0-0	REV.	V
SCALE:		SHEET	2 OF 3	DIST.			

SIZE CODE: D
 NUMBER: AD7012130-0-0
 REV: V

THIS DRAWING AND SPECIFICATIONS, HEREIN, ARE THE PROPERTY OF DIGITAL EQUIPMENT CORPORATION AND SHALL NOT BE REPRODUCED OR COPIED OR USED IN WHOLE OR IN PART AS THE BASIS FOR THE MANUFACTURE OR SALE OF ITEMS WITHOUT WRITTEN PERMISSION. COPYRIGHT © 1973 DIGITAL EQUIPMENT CORPORATION



AC INPUT	TBI	
110 V	1	3
	5	6
220 V	6	4
	1	2
NORMAL	8	10
	13	12
LOW	8	9
	13	11

REVISIONS		
CHK	CHANGE NO.	REV.

LINE ITEM	DOCUMENT NUMBER	PART NUMBER	DESCRIPTION	QUANTITY PER VARIATION
1	1	9006070-01	SCREW,PAN,PHIL 10-32X 5/16 SS	4
2	2	D-IA-7416326-0-0	CHASSIS	1
3	3	9006028-01	SCREW,PAN,PHIL 6-32X1 SS	1
4	4	C-AD-7012127-0-0	CHASSIS ASSY	1
5	5	9008072-00	WASHER, LOCK, EXTERNAL TOOTH #8	4
6	6	1210430-00	BRACKET,CAPACITOR,2"	1
7	7	1210431-00	BRACKET,CAPACITOR,3-1/16"	1
8	8	1213156-01	BRACKET,CAPACITOR,WRAP-AROUND	1
9	9	9007016-00	GROMMET, RUBBER	1
10	10	1213683-00	BOOT,CAPACITOR,RUBBER	1
11	11	9007113-00	*** THIS ITEM IS NOT USED ***	-
12	12	9009768-01	BUSHING,STRAIN RELIEF .280-.393W	1
13	13	9007082-00	CLAMP,CABLE,SCREW MTD. 5/16"	3
14	14	9009800-01	SCREW,PAN,PHILLIPS, 6X7/8 SELF-	4
15	15	9009059-01	TAPE,FOAM, 1/2W X 1/4THK W/ ADH	A/R
16	16	9006020-01	SCREW,PAN,PHIL 6-32X 1/4 SS	12
17	17	9006023-01	SCREW,PAN,PHIL 6-32X 7/16 SS	3
18	18	9006036-01	SCREW,PAN,PHIL 8-32X 5/16 SS	4
19	19	9006027-01	SCREW,PAN,PHIL 6-32X 7/8 SS	3
20	20	1013102-00	10 MFD 370VAC 6% PAPER/OIL	1
21	21	D-IA-7012108-0-0	POWER PANEL HARNESS	1
22	22	1215360-00	FILTER,LINE,115/250V,47-400HZ, F	1
23	23	9006633-00	WASHER,LOCK,INT,.2800D X .146ID	11
24	24	1216827-00	CKT BKR 2.5 A 250V 2P MAGNETIC	1
25	25	1209403-01	FAN,115CFM,SLEEVE BRNG	1
26	26	S-IA-7012110-0-0	HARNESS AC-TE	1
27	27	1210263-00	GUARD,FINGER 4.125 X 4.125 MTG H	1
28	28	1613897-00	XFMR P=AB S=11.506A	1
29	29	1110051-00	DM 16 ASSY@200V 1/2 25A #990-3	1
30	30	1013530-00	66,000 MFD 30V +75-10% AL EL	1

REVISION HISTORY		BASIC PART NO:	ORLO1	DRN:	D. MELCHOIR	DATE: 12-AUG-76	DIGITAL			
ENG:	ECO NUMBER	REV	SECTION A OF A	CHK'D:	G. SCHNEIDER	DATE: 24-AUG-77	PARTS LIST			
KG	7012130-CX010	IP	SECTION. VARIATION INDEX				POWER PANEL ASSEMBLY			
KG	RL02-CX008	IR	CA3 00							
KG	7012130-CX011	IS								
MZ	RL02-CX010	IT	CB3	DES.ENG.:	G. SCHNEIDER	DATE: 24-AUG-77				
KG	7012130-CX012	IU		RESP.ENG.:	P. ARNOLD	DATE: 30-AUG-77	DOCUMENT NUMBER			
IW	7012130-CX013	IV	CD				SIZE	CODE	NUMBER	REV
			CE	MFG.ENG.:	B. RYLANDER	DATE: 30-AUG-77	K	PL	7012130-0-DBP	V
			CF	ASSEMBLY NUMBER:		TOP DOCUMENT NUMBER:	FILE NAME:		EDIT #	
				D-AD-7012130-0-0		E-DB-RL02-0	Z0849V.PLS		17	

THIS DRAWING AND SPECIFICATIONS HEREIN, ARE THE PROPERTY OF DIGITAL EQUIPMENT CORPORATION AND SHALL NOT BE REPRODUCED OR COPIED OR USED IN WHOLE OR IN PART AS THE BASIS FOR THE MANUFACTURE OR SALE OF ITEMS WITHOUT WRITTEN PERMISSION. COPYRIGHT (C) 1980, DIGITAL EQUIPMENT CORPORATION

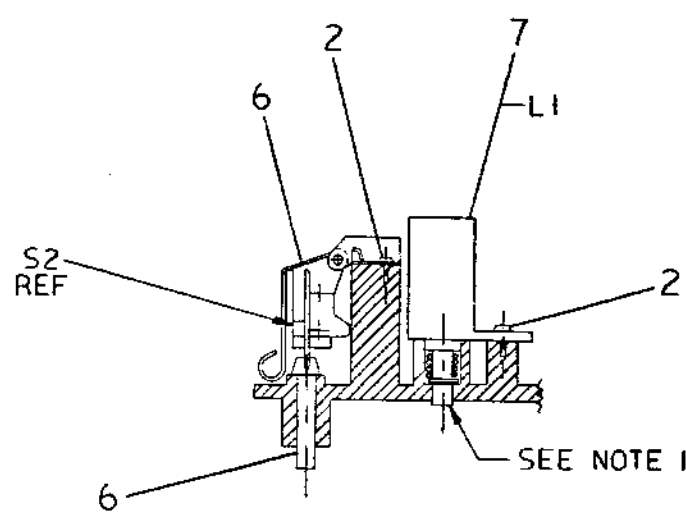
LINE ITEM	DOCUMENT NUMBER	PART NUMBER	DESCRIPTION	QUANTITY PER VARIATION
31	31	1013531-00	20,000 MFD 40V +75-10% AL EL	1
32	32	B-IA-7012109-0-0	POWER HARNESS	1
33	33	9006560-00	NUT,KEP , 6-32 X5/16AF	6
34	34	C-IA-7012142-0-0	CABLE	1
35	35	B-IA-7012125-0-0	INTERCONNECT CABLE	1
36	36	B-IA-7012125-0-0	TB INTERCONNECTOR HARNESS	1
37	37	9006653-00	WASHER, FLAT, .375 O.D. X .156 I	7
38	38	9009800-06	SCREW,PAN,PHILLIPS, 6X.38	3
39	39	9006635-00	WASHER,LOCK,INT,.3100D X .200ID	4
40	40	9007649-00	WASHER, LOCK, EXTERNAL TOOTH #6	8
41	41	9006021-01	SCREW,PAN,PHIL 6-32X 5/16 SS	4
42	42	1211591-35	CONN,ZIF 40PIN RCPT ASSY	2
43	43	1211591-38	CONN,ZIF 40PIN RCPT,SWAP IN GU	4
44	44	9008301-01	SCREW,PAN,PHIL 4-40X 1/4 SS	4
45	45	B-IA-7017609-0-0	GROUND HARNESS	1
46	46	C-IA-7017608-0-0	GROUND HARNESS	1
47	47	9009255-00	LABEL, POWER SUPPLY, 2-15/16" L	1
48	48	3612680-00	DECAL, GROUND SIGN PER 3E6 *	2

DIGITAL		TITLE	SECTION A OF A	SIZE	CODE	DOCUMENT NUMBER	REV
		POWER PANEL ASSEMBLY		K	PL	7012130-0-DBP	V

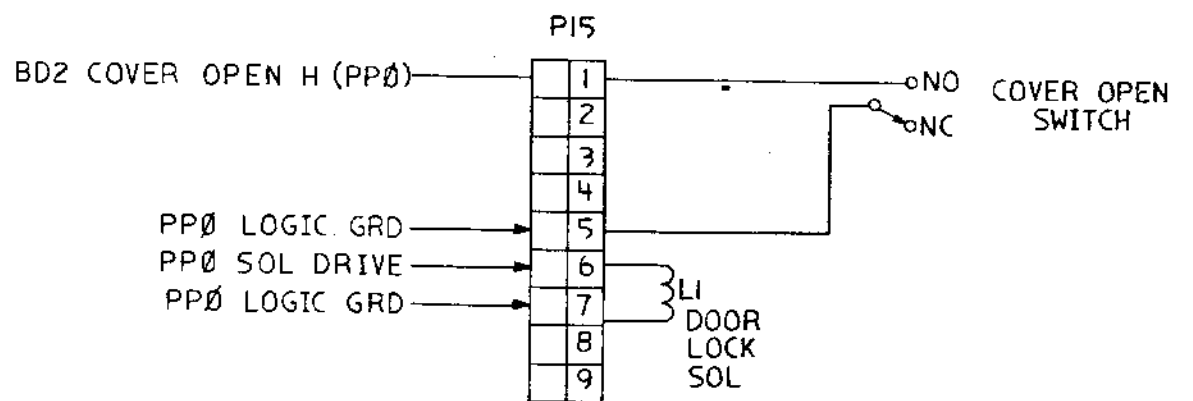
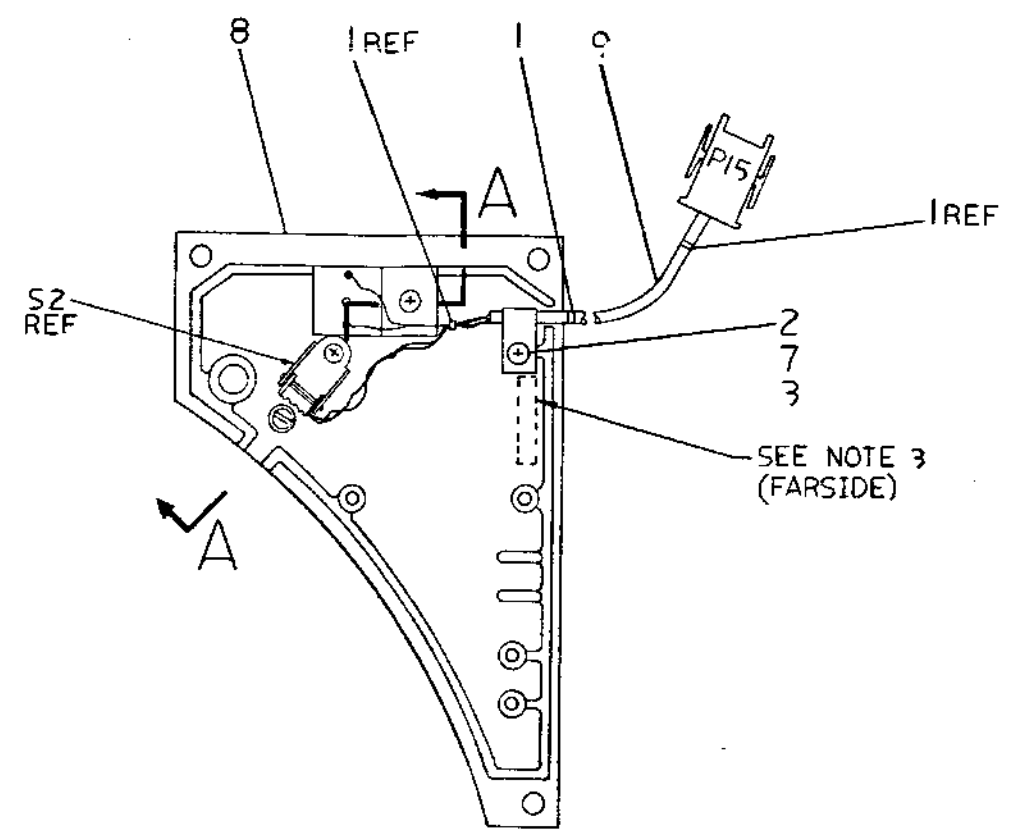
THIS DRAWING AND SPECIFICATIONS HEREIN ARE THE PROPERTY OF DIGITAL EQUIPMENT CORPORATION AND SHALL NOT BE REPRODUCED OR COPIED OR USED IN WHOLE OR IN PART AS THE BASIS FOR THE MANUFACTURE OR SALE OF ITEMS WITHOUT WRITTEN PERMISSION. COPYRIGHT © 1980 DIGITAL EQUIPMENT CORPORATION

NOTES:

1. PLUNGER OF SOLENOID, COVER LOCK (ITEM 5) MUST MOVE FREELY. WHEN ASSEMBLY IS POSITIONED IN 'UP' POSITION (TIP OF PLUNGER POINTING UP) A D C VOLTAGE OF 6.9 VOLTS SHALL PULL THE PLUNGER DOWN.
2. CONNECT LEADS OF SOLENOID, COVER LOCK (ITEM 5) TO PINS 6 & 7 OF CONNECTOR BODY (PI5). DRESS WIRES AND TIE TO COVER, SWITCH HARNESS (ITEM 9) WITH TIE, CABLE (ITEM 1) AS SHOWN.
3. PART TO BE MARKED WITH PART NO. (7016991-00) AND LATEST REVISION LETTER IN AREA SHOWN (FARSIDE).



SECTION A-A



CIRCUIT SCHEMATIC

CAUTION: OFF SHEET PARTS LISTS EXISTS. SEE K-PL-7016991-0-DBP (Z0984).

DATE	REV	DESCRIPTION
582	*	RELEASED TO ECO CONTROL PER ECO PLAN CX/43 AT REV K.D. 1 OCT 80 K. GUENZEL

DESCRIPTION		DRAWING NO	PART NO.	ITEM NO.				
UNLESS OTHERWISE SPECIFIED DIMENSIONS ARE IN INCHES AND THE FOLLOWING TOLERANCES APPLY (PER DEC STD 114)								
INCHES TOLERANCES	ANGLES ±0°30'	APPLICABLE DIMENSION RANGE (CHECK ONE)	DIMENSION RANGE IN INCHES					
			OVER 0 TO 0.2	OVER 0.2 TO 1.2	OVER 1.2 TO 4.0	OVER 4.0 TO 12.0	OVER 12.0 TO 40.0	OVER 40.0 TO 60.0
X ± .1	SURFACE QUALITY	<input type="checkbox"/>	± .02	± .03	± .05	± .10		
XX ± .02		<input type="checkbox"/>	± .04	± .08	± .12	± .16	± .24	
.XXX ± .005		<input type="checkbox"/>						
THIRD ANGLE PROJECTION		DWN	DATE	TITLE				
DO NOT SCALE DRAWING		<i>K. Guenzel</i>	1 OCT 80	digital				
REMOVE BURRS AND BREAK SHARP CORNERS		DESIGN	DATE	SWITCH COVER ASSY				
MATERIAL		<i>John Hout</i>	DATE	DOCUMENT NUMBER				
SEE PARTS LIST		RES' ENG	DATE	DAD 7016991-0-0				
FINISH		DATE	DATE	SCALE				
		DATE	DATE	SHEET 1 OF 1				

REV * 0-0-166910Z

LINE	ITEM	DOCUMENT NUMBER	PART NUMBER	DESCRIPTION	QUANTITY PER VARIATION
1	1		9007031-00	TIE,CABLE BUNDL,DIA 0- 3/4"=101	3
2	2		9009800-06	SCREW,PAN,PHILLIPS, 8X.38	3
3	3		9007081-00	CLAMP,CABLE,SCREW MTD. 1/4"	1
4	4	C-AD-7012132-0-0	7012132-00	CARTRIDGE SENSE SWITCH ASSY.	1
5	5	C-FS-1213204-0-0	1213204-00	SOLENOID,COVER LOCK	1
6	6	B-MD-7416858-0-0	7416858-00	CART SENSE PLUNGER	1
7	7		9006653-00	WASHER, FLAT, .375 O.D. X .156 I	1
8	8	E-IA-7415224-0-0	7415224-00	COVER BRUSH DRIVE	1
9	9	C-IA-7017333-0-0	7017333-00	COVER, SWITCH HARNESS	1

REVISION HISTORY		BASIC PART NO: 7016991		DRN:	K. DAVIS	DATE:	1 OCT 80	DIGITAL	
ENG	ECD NUMBER	REV	SECTION A OF A	CHK'D:	<i>D Miller</i>	DATE:	20 OCT 80	TITLE	PARTS LIST
K6	RL01-CX048 K. GUENZEL	*	SECTION, VARIATION INDEX EA1 00	DES.ENG.:	<i>From M... K. GUENZEL</i>	DATE:	22 OCT 80	SWITCH COVER ASSY	
			EBJ	RESP.ENG.:	<i>From M... I. WALENTA</i>	DATE:	22 OCT 80	DOCUMENT NUMBER	
			EDJ	MFG.ENG.:	<i>From M... J. BLAND</i>	DATE:	22 OCT 80	SIZE	CODE
			EEJ	ASSEMBLY NUMBER:		TOP DOCUMENT NUMBER:		NUMBER	REV
			EFJ	ID-AD-7016991-0-0		#B-ID-RL01-0		FILE NAME:	EDIT #
								Z0984*.PLS	6

THIS DRAWING AND SPECIFICATIONS HEREIN, ARE THE PROPERTY OF DIGITAL EQUIPMENT CORPORATION AND SHALL NOT BE REPRODUCED OR COPIED OR USED IN WHOLE OR IN PART AS THE BASIS FOR THE MANUFACTURE OR SALE OF ITEMS WITHOUT WRITTEN PERMISSION.
COPYRIGHT (C) 1980, DIGITAL EQUIPMENT CORPORATION

COMPONENT SIDE VIEW

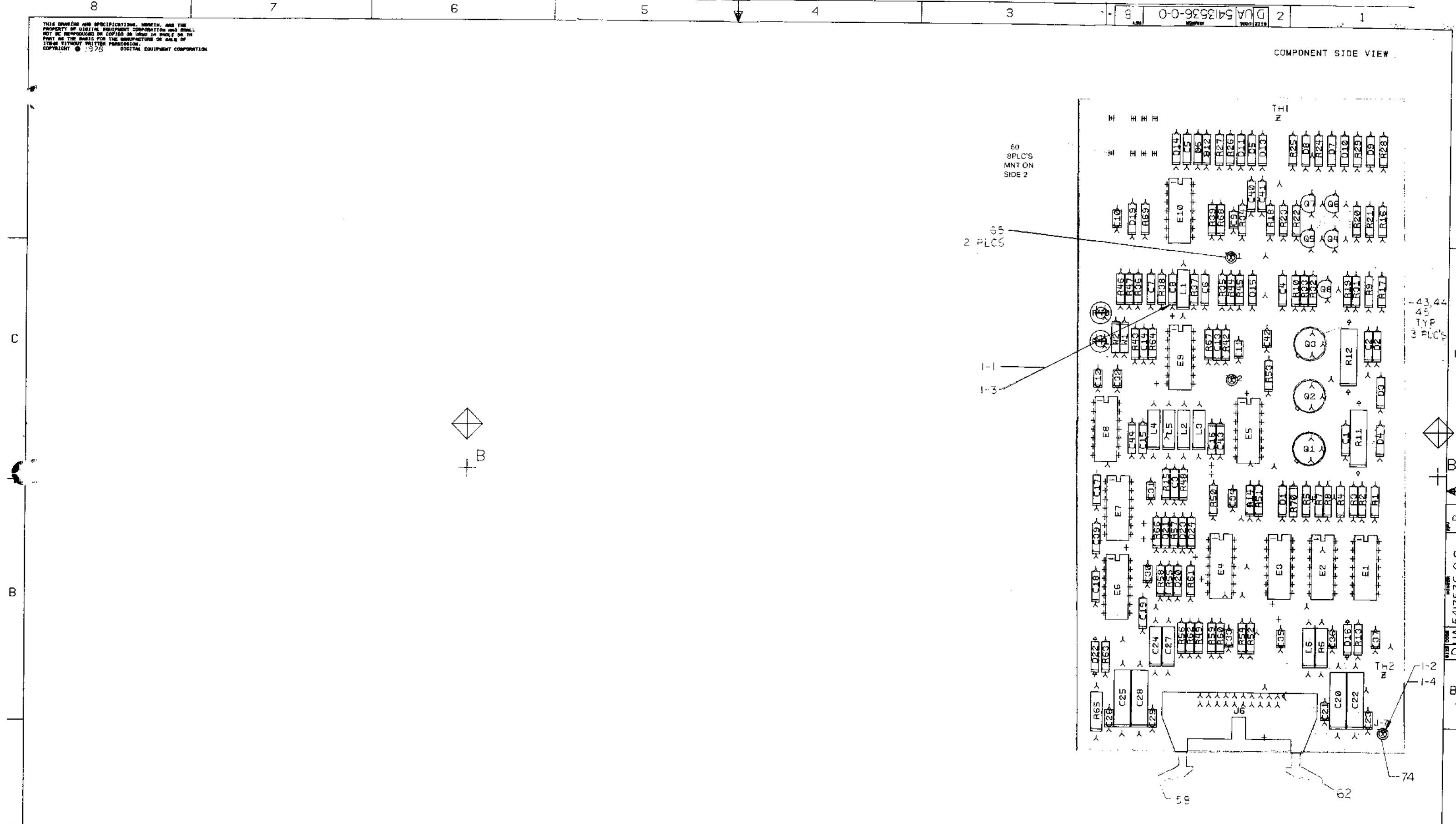
THIS DRAWING AND SPECIFICATIONS, HEREIN, AND THE PROPERTY OF DIGITAL EQUIPMENT CORPORATION AND SHALL NOT BE REPRODUCED OR COPIED OR USED IN WHOLE OR IN PART AS THE BASIS FOR THE MANUFACTURE OR SALE OF ITEMS WITHOUT WRITTEN PERMISSION. COPYRIGHT © 1975 DIGITAL EQUIPMENT CORPORATION

60
8PLCS
MNT ON
SIDE 2

2 PLCS

1-1
1-3

43 44
45
TYP
2 PLCS



NOTES:

CHXCHANGE NO REV	B
DRAWN BY	...
CHECKED BY	...
DESIGNED BY	...
APPROVED BY	...
DATE	...

ETCH BY: V. B.
P.C. BOARD SIGN DATA BASE REV. BL

SIGNATURES	DATE	digital
DRN. <i>[Signature]</i>	8/1/75	
CHK'D. <i>[Signature]</i>	8/1/75	
ENG. <i>[Signature]</i>	8/2/75	TITLE RL02
PROJ. ENG. <i>[Signature]</i>		READ/WRITE BOARD
SCALE 2/1	SIZE CODE	NUMBER
SHT. 1 OF 2	D	UA 5413536-0-0
NEXT HIGHER ASSY: B-DD-5413536-0		REV B

LINE ITEM	DOCUMENT NUMBER	PART NUMBER	DESCRIPTION	QTY PER VARIATION	REFERENCE DESIGNATOR
1	1	D-MD-5013535-0-0	5013535-00	ETCHED CIRCUIT BD	1
2	2		1001610-00	.01 MFD 50V -20+80 Z5U AXIAL	17
3	3		1005306-00	6.8MFD 35V 10% S.TANT	4
4	4		1013466-14	82.0 MMF 50V 5% CER	2
5	5		1013466-06	100.0 MMF 50V 5% CER	1
6	6		1013466-05	56.0 MMF 50V 5% CER	1
7	7		1013466-07	220.0 MMF 50V 5% CER	5
8	8		1013466-09	1000.0 MMF 50V 10% CER	1
9	9		1013466-11	.22 MFD 50V +80/-20% CER	2
10	10		1013466-15	1200.0 MMF 50V 5% CER	3
11	11		1109943-00	1N 4733A VZ= 5.1 5% 1W Y	2
12	12		1113953-00	1N 5523D VZ= 5.1 1% 1W Y	1
13	13		1100122-00	1N 748A VZ= 3.9 5% 1W Y	1
14	14		1111577-00	1N 4454 TR= 4MS PIV= 50 S	11
15	15		1300250-00	150.0 .25 W 5.0 % CC	1
16	16		1300229-00	100.0 .25 W 5.0 % CC	5
17	17		1300232-00	100.0 1.0 W 5.0 % CC	2
18	18		1300247-00	120.0 .25 W 5.0 % CC	1
19	19		1300365-00	3.0 K .25 W 5.0 % CC	8
20	20		1300444-00	3.90 K .25 W 5.0 % CC	1
21	21		1300447-00	4.70 K .25 W 5.0 % CC	3
22	22		1301775-00	820.0 .25 W 5.0 % CC	1
23	23		1301317-00	10.0 .25 W 5.0 % CC	1
24	24		1302612-00	1.78 K 1/4W 1% RN55D-F 100PPM	2
25	25		1300195-00	33.0 .50 W 5.0 % CC	2
26	26		1304725-00	300 1/4W 1% RN55D-F 100PPM	1
27	27		1312930-00	5.10 K .25 W 5.0 % CC	2
28	28		1301404-00	680.0 .25 W 5.0 % CC	4
29	29		1302391-00	20.0 K .25 W 5.0 % CC	1
30	30		1300423-00	2.70 K .25 W 5.0 % CC	1

REVISION HISTORY		BASIC PART NO: 13536		DRN:	JERRY BEST	DATE:	14-AUG-78
ENR1	ECD NUMBER	REV	SECTION A OF A	CHG'D:	L. ROOHR	DATE:	14-AUG-78
ENR2	INIT	A	SECTION VARIATION INDEX	DES. ENG:	B. NOGUCHI	DATE:	
	1341105-CX001	B	EAS 00	RESP. ENG.:	B. NOGUCHI	DATE:	14-AUG-78
	M. ZARICH W.C.M.		[BJ	MPG. ENG.:	P. CHURCH	DATE:	
	17 JAN 80		[CJ	ASSEMBLY NUMBER:		TOP DOCUMENT NUMBER:	
			[EJ	D-DA-5413535-0-0		FILE NAME:	21091P.PLS
			[FJ			REV	7
			[GJ			DOCUMENT NUMBER	
			[HJ			SIZE CODE	
			[IJ			NUMBER	
			[KJ			PL	5413536-0-DRP
			[LJ				
			[MJ				
			[NJ				
			[OJ				
			[PJ				
			[QJ				
			[RJ				
			[SJ				
			[TJ				
			[UJ				
			[VJ				
			[WJ				
			[XJ				
			[YJ				
			[ZJ				

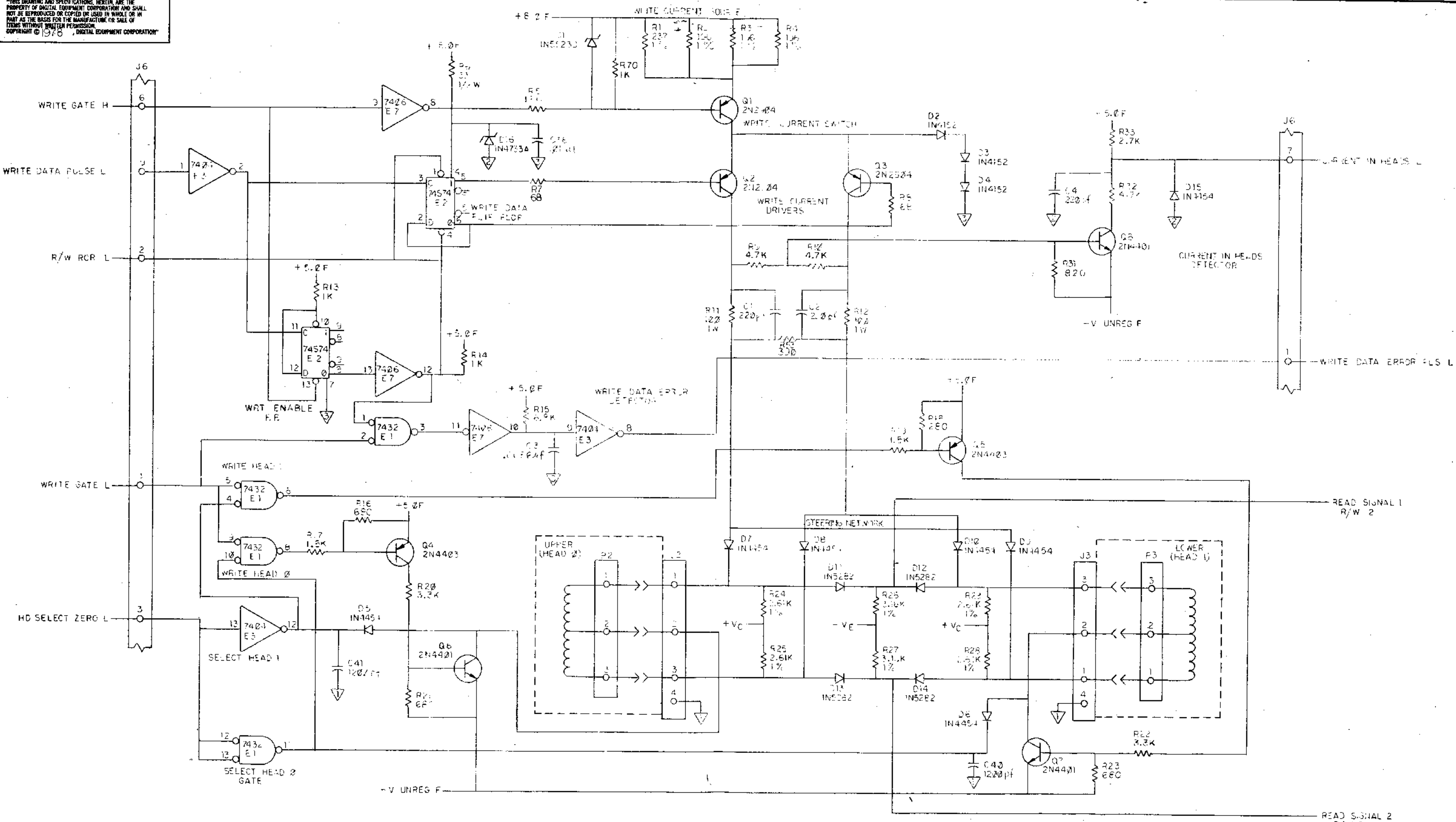
*THIS DRAWING AND SPECIFICATIONS HEREIN ARE THE PROPERTY OF DIGITAL EQUIPMENT CORPORATION AND SHALL NOT BE REPRODUCED OR COPIED OR USED IN WHOLE OR IN PART AS THE BASIS FOR THE MANUFACTURE OR SALE OF ITEMS WITHOUT WRITTEN PERMISSION. COPYRIGHT (C) 1980, DIGITAL EQUIPMENT CORPORATION *

LINE ITEM	DOCUMENT NUMBER	PART NUMBER	DESCRIPTION	QTY PER VARIATION	REFERENCE DESIGNATOR
31	31	1302956-00	195 1/4W 1% RN55D-F 100PPM	3	R2,R3,R4
32	32	1300439-00	3.30 K .25 W 5.0 % CC	2	R20,R22
33	33	1305143-00	825 1/4W 1% RN55D-F 100PPM	2	R44,R45
34	34	1303303-00	2.61 K 1/4W 1% RN55D-F 100PPM	4	R24,R25,R28,R29
35	35	1302648-00	1.1 K 1/4W 1% RN55D-F 100PPM	1	R61
36	36	1301477-00	82.0 .25 W 5.0 % CC	1	R68
37	37	1301322-00	180.0 .25 W 5.0 % CC	2	R37,R38
38	38	1313469-00	240.0 .25 W 5.0 % CC	1	R34
39	39	1303045-00	3.16 K 1/4W 1% RN55D-F 100PPM	2	R26,R27
40	40	1501913-00	2N 2904A PNP 400MW ST 60 40 Y	3	Q1-Q3
41	41	1513489-00	2N 4401 NPN 350MW ST 40 20	3	Q6-Q8
42	42	1513490-00	2N 4403 PNP 350MW ST-40 30	2	Q4,Q5
43	43	1210001-00	HEAT SINK BLACK	3	
44	44	9007201-00	TRANSIPADS S10253	3	
45	45	9008269-00	COMPOUND, THERMAL JOINT	\$ A/R	
46	46	1611257-01	CHOKER CERAMIC BEAD AXIAL LEAD ON	1	L6
47	47	1613898-01	33.0 OH INDUCTOR	4	L2-L5
48	48	1613898-02	39.0 OH INDUCTOR	1	L1
49	49	1910268-00	DEC 75107B RECEIVER, LINE, DUAL,	1	E8
50	50	1909686-00	7404 INVERTER GATE-HEX II	1	E3
51	51	1910544-00	74S74 FF-D DUAL, EDGE TRIGG	1	E2
52	52	1910644-00	733 DIFFERENTIAL AMP, WIP	2	E9,E10
53	53	1910741-00	7406 INVERTER GATE-HEX II	1	E7
54	54	1911521-00	7452 OR GATE-DUAL 2IN, PO	1	E1
55	55	1910268-01	DEC 75107B-01 RECEIVER, LINE, DUA	2	E5,E4
56	56	1910725-00	751088 RECEIVER, LINE, DUAL,	1	E6
57	57	1209941-06	HEADER, 100 20POS RT ANGLE	1	J6
58	58	1209941-03	HEADER RT ANGLE LEFT L	1	
59	59	1209941-04	HEADER RT ANGLE, RIGHT	1	
60	60	1210385-01	PIN 1POS WIRE WRAP	8	
61	61	9007791-00	TERM PCB 2POS SOLDER, TUNRECT	2	TP1, TP2
62	62	1303067-00	422 1/4W 1% RN55D-F 100PPM	2	R42,R43
63	63	1300219-00	28.0 .25 W 5.0 % CC	4	R7,R8,R17,R57
64	64	1301423-00	4.80 K .25 W 5.0 % CC	3	R15,R64,R67
65	65	1300391-00	1.50 K .25 W 5.0 % CC	2	R17,R19
66	66	1114117-00	1N 4152 PIV=450 I=75M	3	D2-D4
67	67	1015573-01	IN 5282 PIV=55 I=500M D035	4	Y11-Y14
68	68	1304857-00	5600.0 MMF 50V 5% CER	5	C3,C6,C7,C13,C14
69	69	1300309-00	237 1/4W 1% RN55D-F 100PPM	1	R1
70	70	1013466-17	390.0 .25 W 5.0 % CC	1	R53
71	71	1309150-02	150 MMF 50V 5% CER	2	C15,C44
72	72	9009185-00	2 K 1/2W10% POT 100PPM	2	R40,R41
73	73	1217377-00	JUMPER, WIRE, INSULATED, BLACK B	2	W1,W2
74	74		TERM QUICK 1POS TAE PC MNT	1	J7

***** UNDERGOING CHANGE *****

TITLE		SECTION A OF A		SIZE CODE	DOCUMENT NUMBER	REV
DIGITAL		READ/WRITE BOARD		K	PL 5413536-0-DRP	B

THIS DRAWING AND SPECIFICATIONS, HEREIN, ARE THE PROPERTY OF DIGITAL EQUIPMENT CORPORATION AND SHALL NOT BE REPRODUCED OR COPIED OR USED IN WHOLE OR IN PART AS THE BASIS FOR THE MANUFACTURE OR SALE OF ITEMS WITHOUT WRITTEN PERMISSION. COPYRIGHT © 1976, DIGITAL EQUIPMENT CORPORATION.

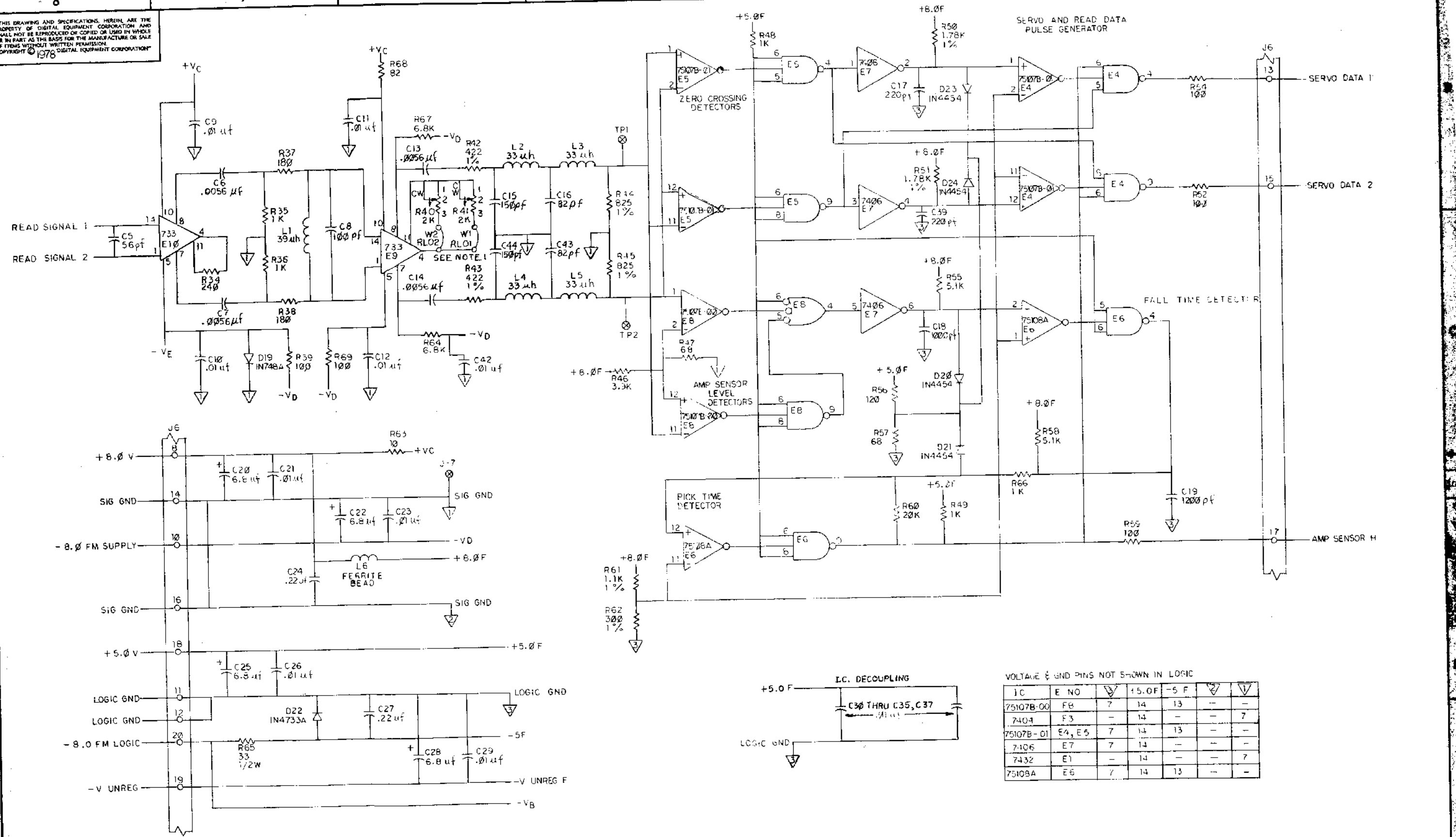


NOTE:
 1. FOR RLO1 CUT W2 AND LEAVE IN W1
 FOR RLO2 CUT W1 AND LEAVE IN W2

REV	B
REV	
CHANGE NO.	0001
BY	M. ZARICH
CHK'D	M. ZARICH
DATE	11/18/76
DESIGNED BY	M. ZARICH
DATE	11/18/76
APPROVED BY	
DATE	

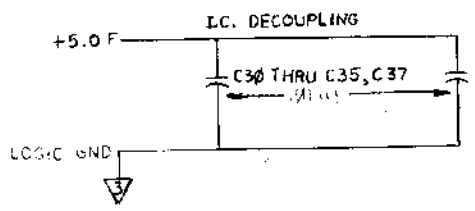
DRN. E. Nichols	4/1/76	FIRST USED ON	RLO2	digital
CHK'D L. Rabin	5/18/76	TITLE	READ/WRITE BOARD	
ENG. R. Z. Smith	9/18/76	PROJECT	1111P	
PROD. ENGINEER	9/12/76	SCALE		
NEXT HIGHER ASSY.		SIZE CODE	NUMBER	REV.
		D	CS 5413536-0-1	B
SHEET	1 OF 2	DIST.		

THIS DRAWING AND SPECIFICATIONS, HEREIN, ARE THE PROPERTY OF DIGITAL EQUIPMENT CORPORATION AND SHALL NOT BE REPRODUCED OR COPIED OR USED IN WHOLE OR IN PART AS THE BASIS FOR THE MANUFACTURE OR SALE OF ITEMS WITHOUT WRITTEN PERMISSION. COPYRIGHT © 1978 DIGITAL EQUIPMENT CORPORATION



VOLTAGE & GND PINS NOT SHOWN IN LOGIC

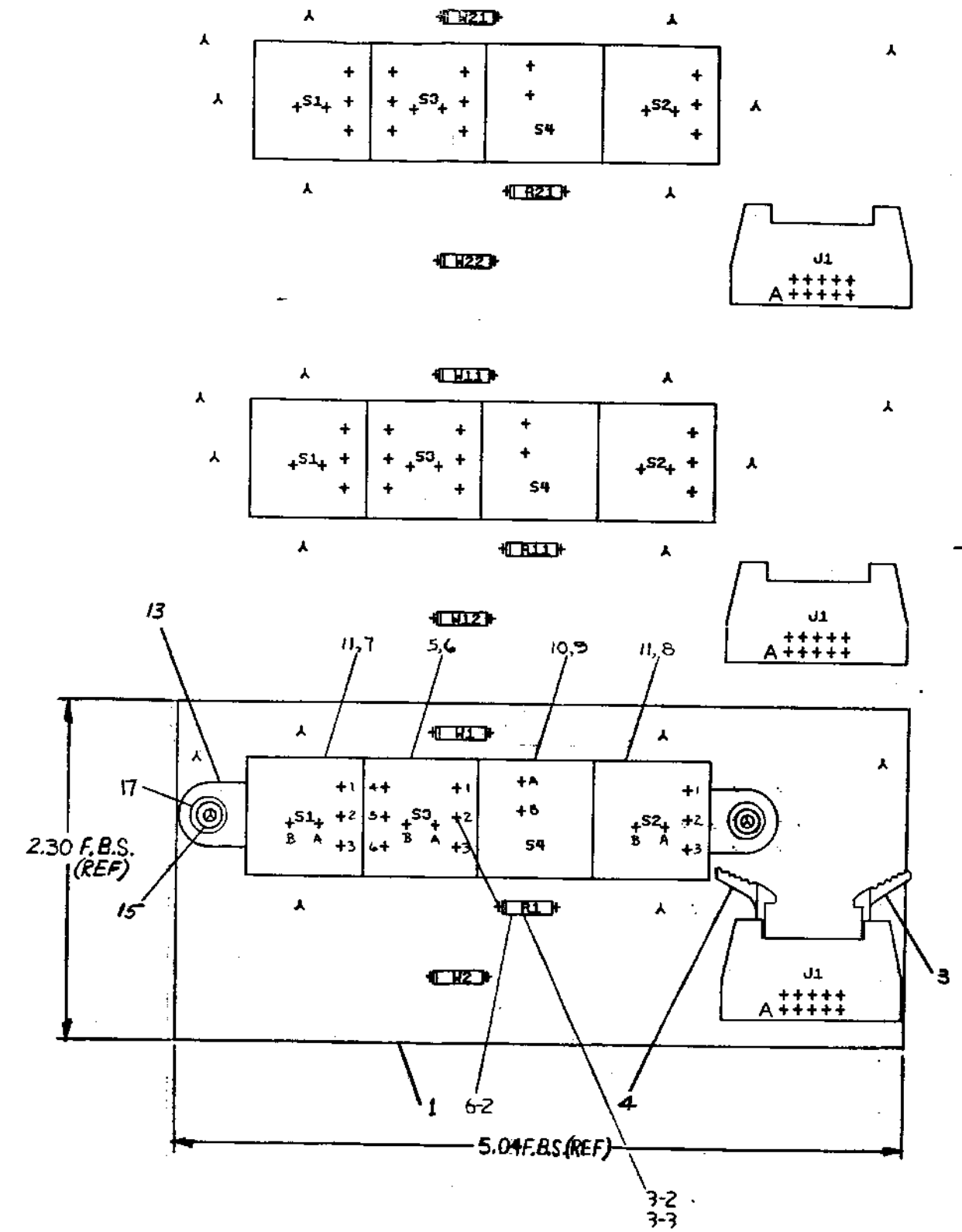
IC	E NO	V	+5.0V	-5 F	V	V
75107B-00	E8	7	14	13	-	-
7406	E3	-	14	-	-	7
75107B-01	E4, E5	7	14	13	-	-
7406	E7	7	14	-	-	-
7432	E1	-	14	-	-	7
75108A	E6	7	14	13	-	-



REVISIONS			TITLE		SIZE CODE	NUMBER	REV.
CHK	CHANGE NO.	REV.	READ/WRITE BOARD		D	CS 5413536-0-1	B
			SCALE		SHEET 2 OF 2	DIST.	

THIS DRAWING AND SPECIFICATIONS, HEREIN, ARE THE PROPERTY OF AERIAL EQUIPMENT CORPORATION AND SHALL NOT BE REPRODUCED OR COPIED OR USED IN WHOLE OR IN PART AS THE BASIS FOR THE MANUFACTURE OR SALE OF ITEMS WITHOUT WRITTEN PERMISSION.
 COPYRIGHT © 1976 AERIAL EQUIPMENT CORPORATION

COMPONENT SIDE VIEW

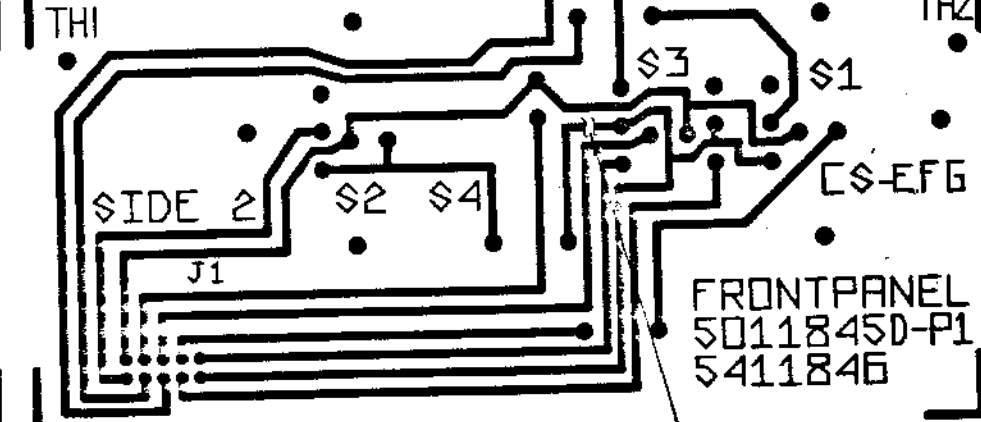
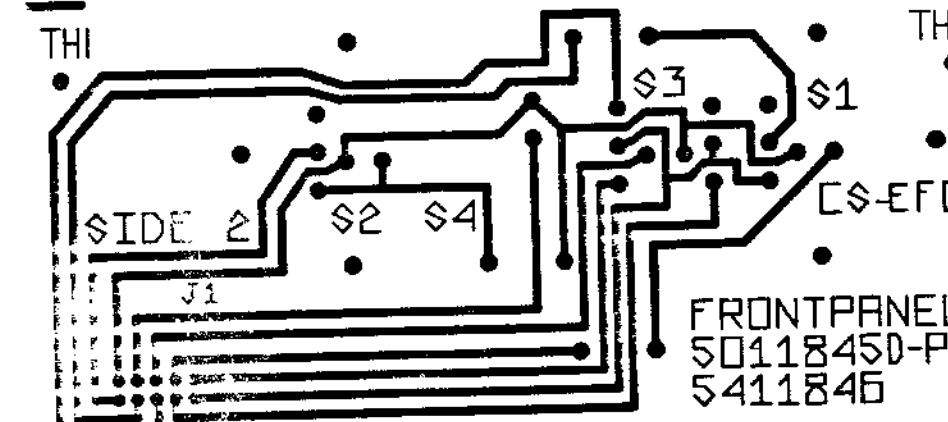
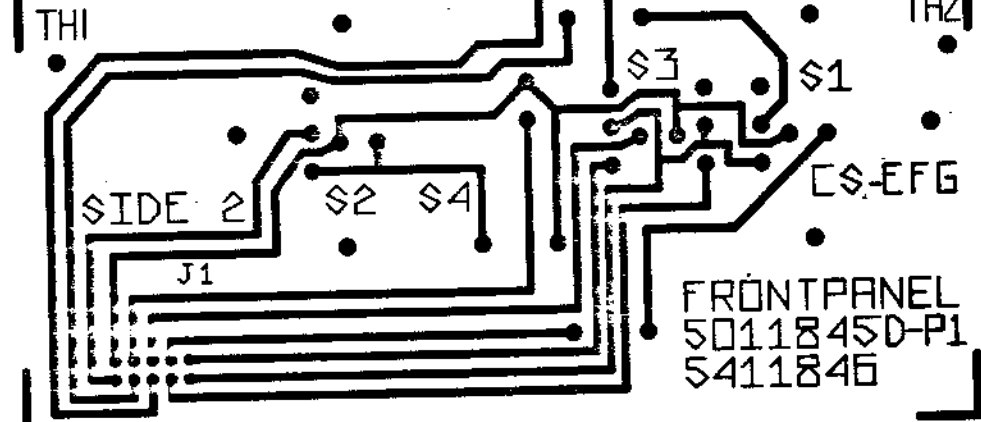
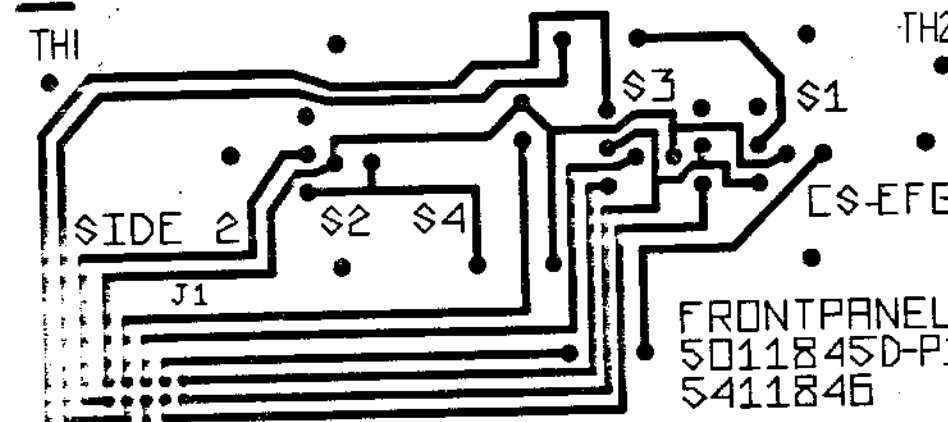
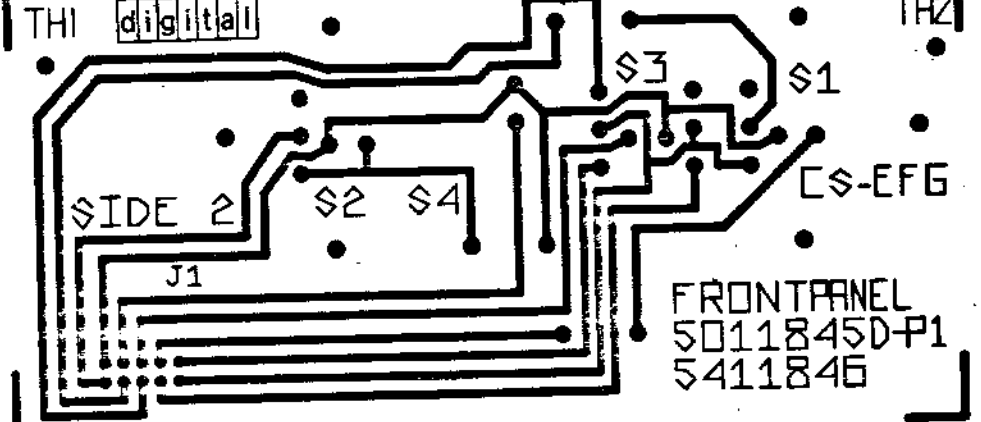
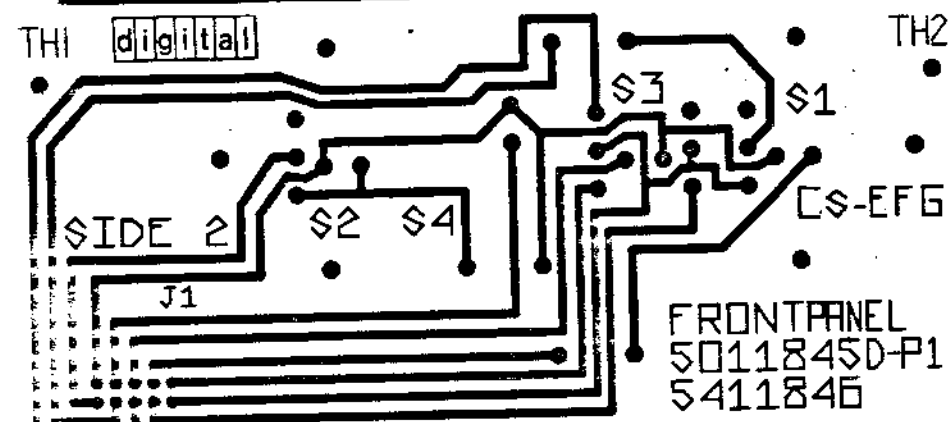


NOTES:
 ALL MANUFACTURING INFORMATION, DATE CODE, CIRCUIT, SCHEMATIC, REV, QUALITY CONTROL STAMPS, ETC. ARE TO BE STAMPED ON ETCH SIDE (SIDE 2) OF MODULE.

CHANGE NO.	REV.	DATE	BY	CHKD.
1	F			
2	H			
3	J			

ETCH REV. D
P.C. DESIGN DATA BASE REV. D

SIGNATURES		DATE	digital
DRN. <i>Mr. [Signature]</i>		11/5/76	
CHK'D. <i>Mr. [Signature]</i>		1-11-77	TITLE FRONT PANEL
ENG. <i>Mr. [Signature]</i>		3/7/77	
PROJ. ENG. <i>Mr. [Signature]</i>		3/14/77	SIZE CODE NUMBER REV D JUA 5411846-0-0 J
PROD. <i>Mr. [Signature]</i>			
SCALE 2/1			NEXT HIGHER ASSY. B-DD-54-11846-0
SHT. OF 3			



6-1 6 PLACES
3-4 6 PLACES

DESIGN	DATE	BY

TITLE	FRONT PANEL	SIZE CODE	D UA 5411846-0-0	REV.	J
SCALE	NONE	SHEET	2 OF 3	DIST.	

D UA 5411846-0-0 J

THIS DRAWING AND SPECIFICATIONS HEREIN ARE THE PROPERTY OF DIGITAL EQUIPMENT CORPORATION AND SHALL NOT BE REPRODUCED OR COPIED OR USED IN WHOLE OR IN PART AS THE BASIS FOR THE MANUFACTURE OR SALE OF ITEMS WITHOUT WRITTEN PERMISSION. COPYRIGHT © 1980 DIGITAL EQUIPMENT CORPORATION

REWORK INSTRUCTIONS:

ECO 541846-CX005:

3-1 SEE D-EC-501845-0-0 FOR EC REWORK INSTRUCTIONS.

COMPONENT DELETES:

3-2 DELETE RI.

COMPONENT ADDS:

3-3 ADD RI (180°).

WIRE ADDS:

3-4 SIDE 2-ADD WIRE FROM S3 PIN 2 TO RI ETCH (SOLDER FLAT TO ETCH) (6 PLACES).

ECO 541846-CX006:

WIRE DELETES:

6-1 SIDE 2-DELETE WIRE FROM S3 PIN 2 TO RI ETCH. (6 PLACES).

WIRE ADDS:

6-2 SIDE 1-ADD WIRE ON LEFT SIDE OF RI TO S3 PIN 2.

REVISION HISTORY

DATE	ECO NUMBER	REV.

TITLE
FRONT PANEL

SIZE CODE	NUMBER	REV.
DUA	541846-0-0	J
SCALE NONE	SHEET 3 OF 3	

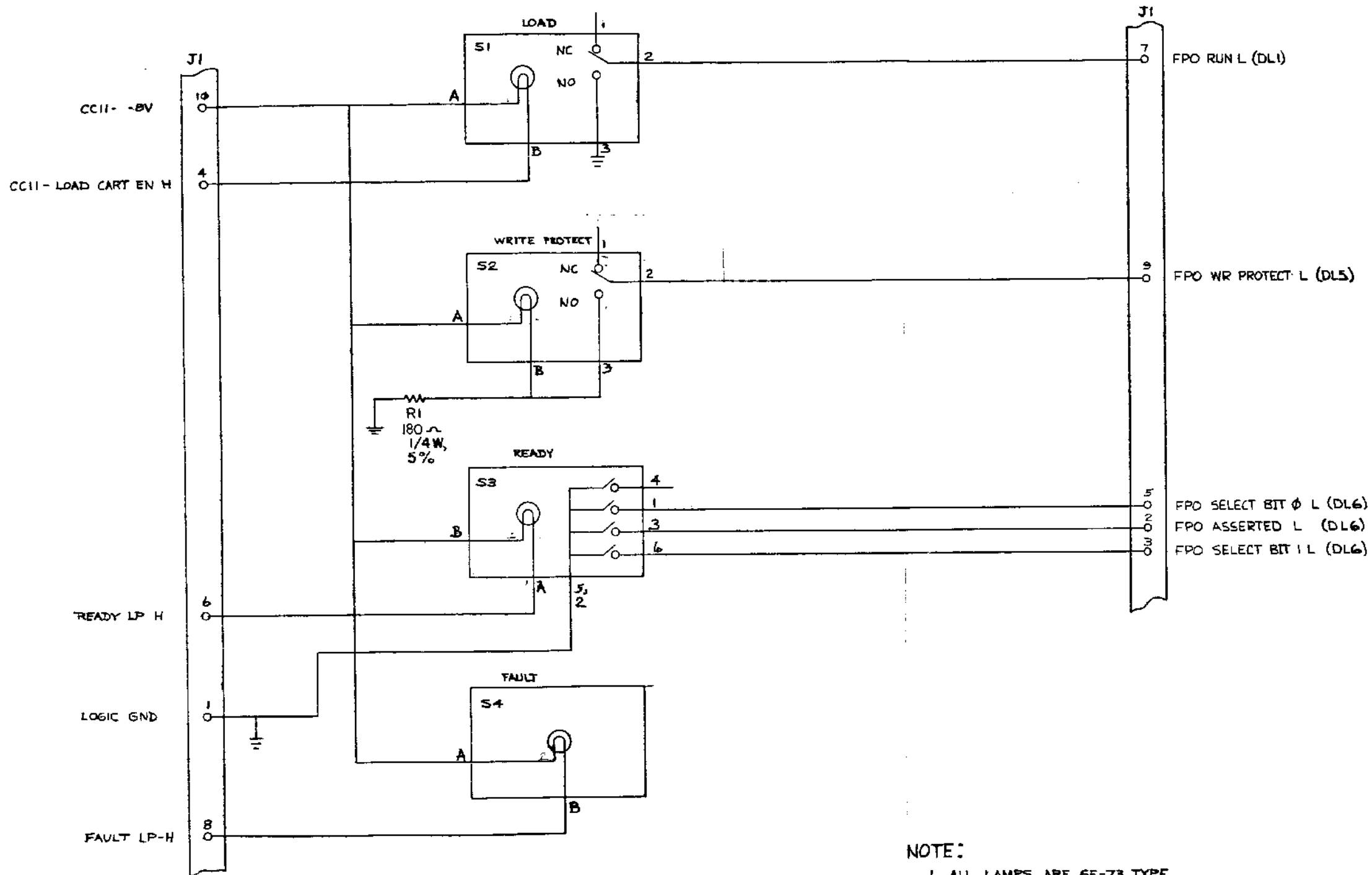
DUA 541846-0-0

LINE ITEM	DOCUMENT NUMBER	PART NUMBER	DESCRIPTION	QTY PER VARIATION 00	REFERENCE DESIGNATOR
1	D-MD-5011845-0-0	5011845-00	S4-11846 ETCH CRKT BRD	1	
2		1209941-05	HEADER.100 10POS RT ANGLE	1	J1
3		1209941-04	HEADER RT ANGLE,RIGHT	1	
4		1209941-03	HEADER RT ANGLE LEFT L	1	
5		1212690-02	SW,PB 1P RK06 UNIT SELECT	1	S3
6		1212691-00	SW,PP CAP '0/READY' FOR 12-1	1	
7		1212714-05	SW,PB CAP,YEL/BLK,'LOAD'	1	
8		1212714-01	SW,PB CAP,YEL/BLK,'WRITE PROT'	1	
9		1212714-02	SW,PB CAP,RED/BLK,'FAULT'	1	
10		1212715-02	INDICATOR,DISPLAY PANEL,W/14V LA	1	S4
11		1212717-05	SW,PB 1P 3A W/14V LAMP	2	S1,S2
12		1212716-01	LAMP,WEDGE,14V	1	
13		1213188-01	MOUNTING BRACKET,SWITCH	1	
14		1301322-00	180.0 .25 W 5.0 Z CC	1	R1
15		9006732-00	EYELET, ROLLED FLANGE, .121 OD X	2	
16		9107560-01	WIRE,BUSS,22AWG	2	W1,W2
17		9006655-00	WASHER, FLAT, .312 O.D. X .125 I	2	

REVISION HISTORY		BASIC PART NO: 5411846		DRN:	S. MARLOW	DATE: 7-APR-76	DIGITAL			
ENG	ECO NUMBER	REV	SECTION A OF A	CHK'D:	P. BURNELL	DATE: 10-JAN-77	TITLE	PARTS LIST		
MZ	5411846-CX005	J	SECTION VARIATION INDEX				FRONT PANEL			
			CAJ 00							
			CBJ							
			CCJ	DES.ENG:	G. REICHENBERG	DATE: 7-MAR-77				
			CDJ							
			CEJ							
			CFJ	RESP.ENG.:	G. REICHENBERG	DATE: 7-MAR-77		DOCUMENT NUMBER		
			CHJ							
			CJJ				SIZE:CODE: NUMBER	REV		
			CKJ	MPG.ENG.:	L. KIRK	DATE: 9-MAR-77	K	PL	5411846-0-DBP	J
			CLJ							
			CMJ	ASSEMBLY NUMBER:		TOP DOCUMENT NUMBER:	FILE NAME:	EDIT #:		
			CNJ	D-UA-5411846-0-0		B-DD-5411846-0	Z1580J.PLS	3		

*THIS DRAWING AND SPECIFICATIONS HEREIN, ARE THE PROPERTY OF DIGITAL EQUIPMENT CORPORATION AND SHALL NOT BE REPRODUCED OR COPIED OR USED IN WHOLE OR IN PART AS THE BASIS FOR THE MANUFACTURE OR SALE OF ITEMS WITHOUT WRITTEN PERMISSION. COPYRIGHT (C) 1980, DIGITAL EQUIPMENT CORPORATION *

THIS DRAWING AND SPECIFICATIONS HEREIN ARE THE PROPERTY OF DIGITAL EQUIPMENT CORPORATION AND SHALL NOT BE REPRODUCED OR COPIED OR USED IN WHOLE OR IN PART AS THE BASIS FOR THE MANUFACTURE OR SALE OF ITEMS WITHOUT WRITTEN PERMISSION. COPYRIGHT © 1976, DIGITAL EQUIPMENT CORPORATION



NOTE:
1. ALL LAMPS ARE 6E-73 TYPE

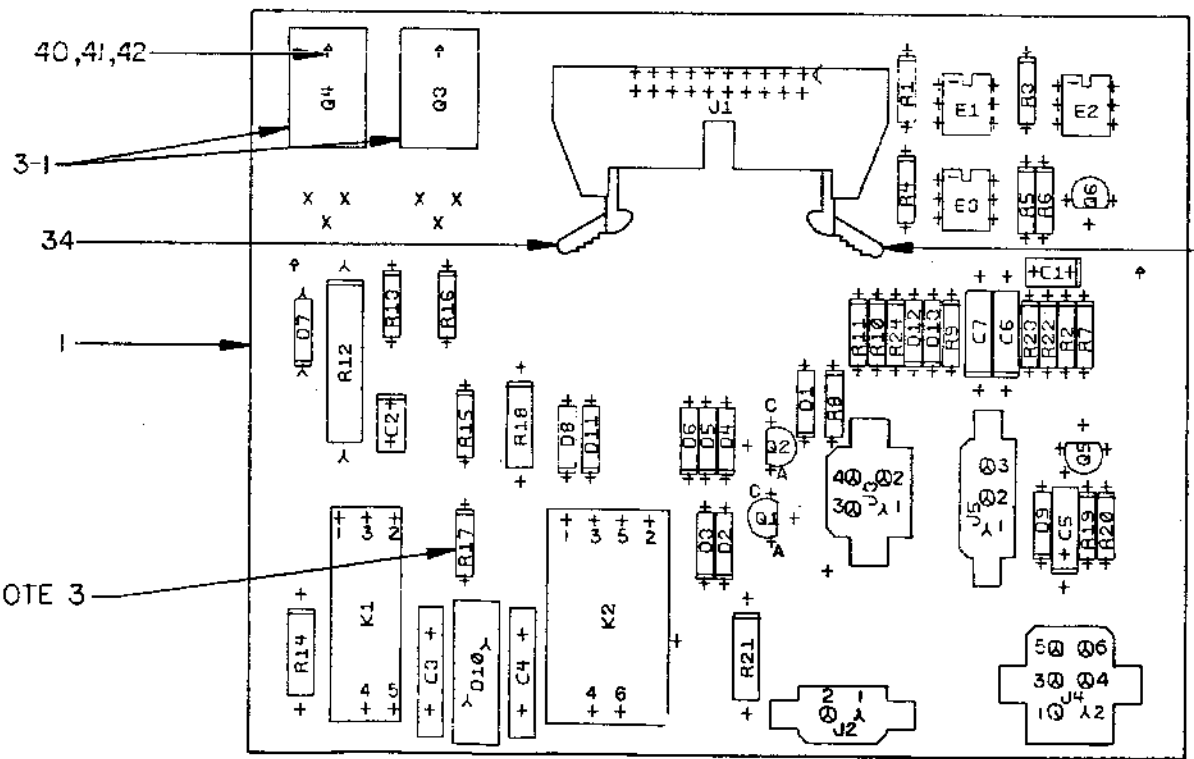
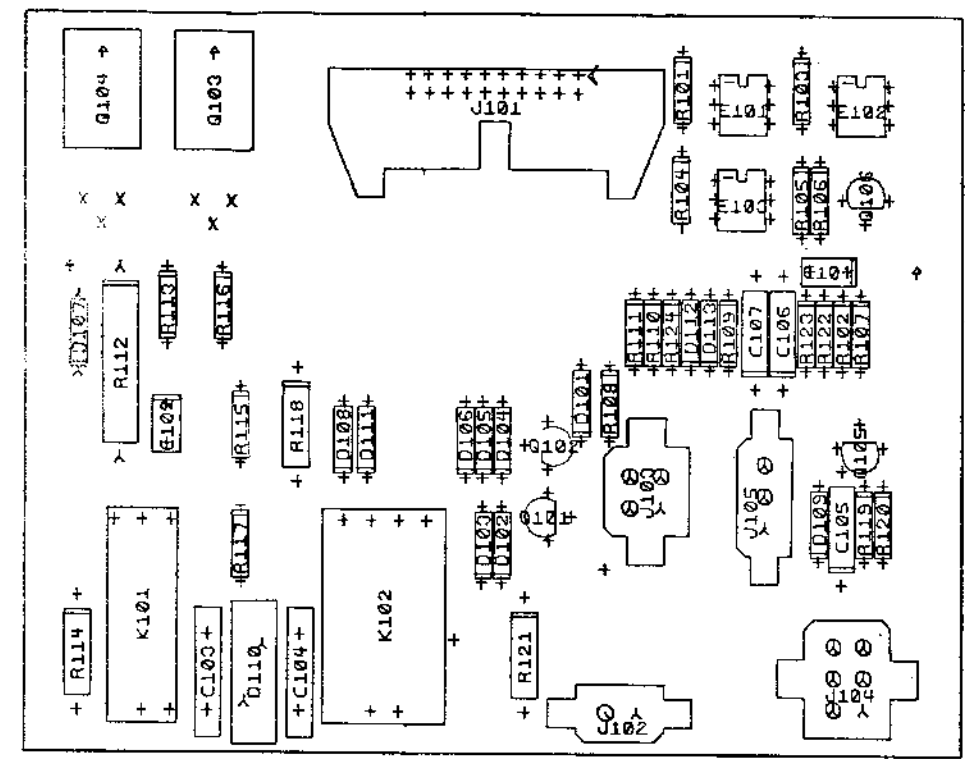
REV.	CHG. NO.	REV.
1	1	E
2	2	F
3	3	H
4	4	J
5	5	K

DRN	5411846-0-1	FIRST USED ON	digital
CHK'D	3-7-77	TITLE	FRONT PANEL
ENG.	3-7-77	SIZE	D
PROJ. ENG.	3-10-77	CODE	CS
PROD.	3-9-77	NUMBER	5411846-0-1
NEXT HIGHER ASSY.		REV.	K
SCALE		DIST.	
SHEET	OF 1		

5411846-0-1 K

THIS DRAWING AND SPECIFICATIONS, HEREIN, ARE THE PROPERTY OF DIGITAL EQUIPMENT CORPORATION AND SHALL NOT BE REPRODUCED OR COPIED OR USED IN WHOLE OR IN PART IN THE FABRICATION OF THIS OR ANY OTHER PART WITHOUT WRITTEN PERMISSION. DIGITAL EQUIPMENT CORPORATION © 1977

ACTUAL REF DESIGNATORS	SUPERFICIAL REF DESIGNATORS
C1,C2,C3,C4,C5,C6,C7	C101 , C102 , C103 , C104 , C105 , C106 , C107
D1,D2,D3,D4,D5,D6,D7	D101 , D102 , D103 , D104 , D105 , D106 , D107
D8,D9,D10,D11,D12,D13	D108 , D109 , D110 , D111 , D112 , D113
E1,E2,E3	E101 , E102 , E103
K1,K2,K3	K101 , K102 , K103
J1,J2,J3,J4,J5	J101 , J102 , J103 , J104 , J105
Q1,Q2,Q3,Q4,Q5,Q6	Q101 , Q102 , Q103 , Q104 , Q105 , Q106
R1,R2,R3,R4,R5,R6,R7	R101 , R102 , R103 , R104 , R105 , R106 , R107
R8,R9,R10,R11,R12,R13,R14	R108 , R109 , R110 , R111 , R112 , R113 , R114
R15,R16,R17,R18,R19,R20,R21,R22	R115 , R116 , R117 , R118 , R119 , R120 , R121 , R122



SEE NOTE 3



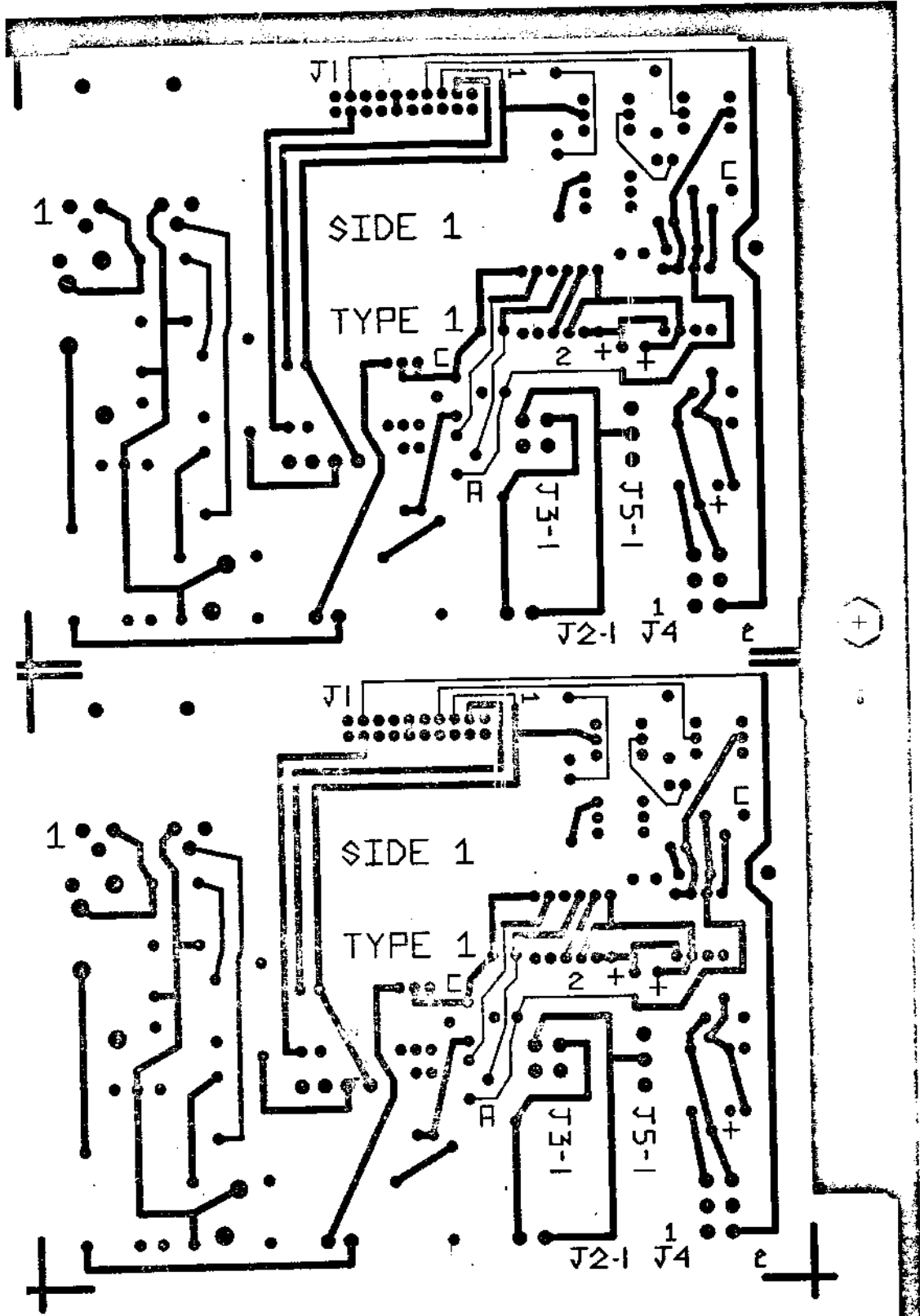
NOTES:
 1. 8 HOLES .0465 (+.000-.0045) MAYNARD ONLY
 2. U/L APPROVAL REQUIRED
 3. REWORK INSTRUCTIONS:
 1. REMOVE R17 (330Ω, 1/4W, 5%)
 2. INSTALL R17 (330Ω, 1/2W, 5%)

CHANGE NO	REV	DATE	BY	CHK
5411848-001	D		P. BURNELL	
	E		W.M. REICHENBERG	
	F		W.M. REICHENBERG	

ETCH REV.	E-P2
P.C. DESIGN DATA BASE REV.	E-P2

SIGNATURES	DATE	digital
DRN. T. SHETRAWSKI	5-9-77	
CHK. D. T. SHETRAWSKI	15-9-77	
MECH. ENG. & REICHENBERG	26-9-77	
PROJ. ENG. P. ARNOLD	26-9-77	
PROD. R. STROTT	26-9-77	TITLE AC
SCALE 2/1		SIZE CODE NUMBER
SHT. 1 OF 4		0 UA 5411848-0-0
NEXT HIGHER ASSY. B-DD-5411848-0		REV F

THIS DRAWING AND SPECIFICATIONS HEREIN ARE THE PROPERTY OF DIGITAL EQUIPMENT CORPORATION AND SHALL NOT BE REPRODUCED OR COPIED IN WHOLE OR IN PART AS THEY EXIST FOR THE MANUFACTURE OR SALE OF ITEMS WITHOUT WRITTEN PERMISSION. COPYRIGHT © 1967 DIGITAL EQUIPMENT CORPORATION



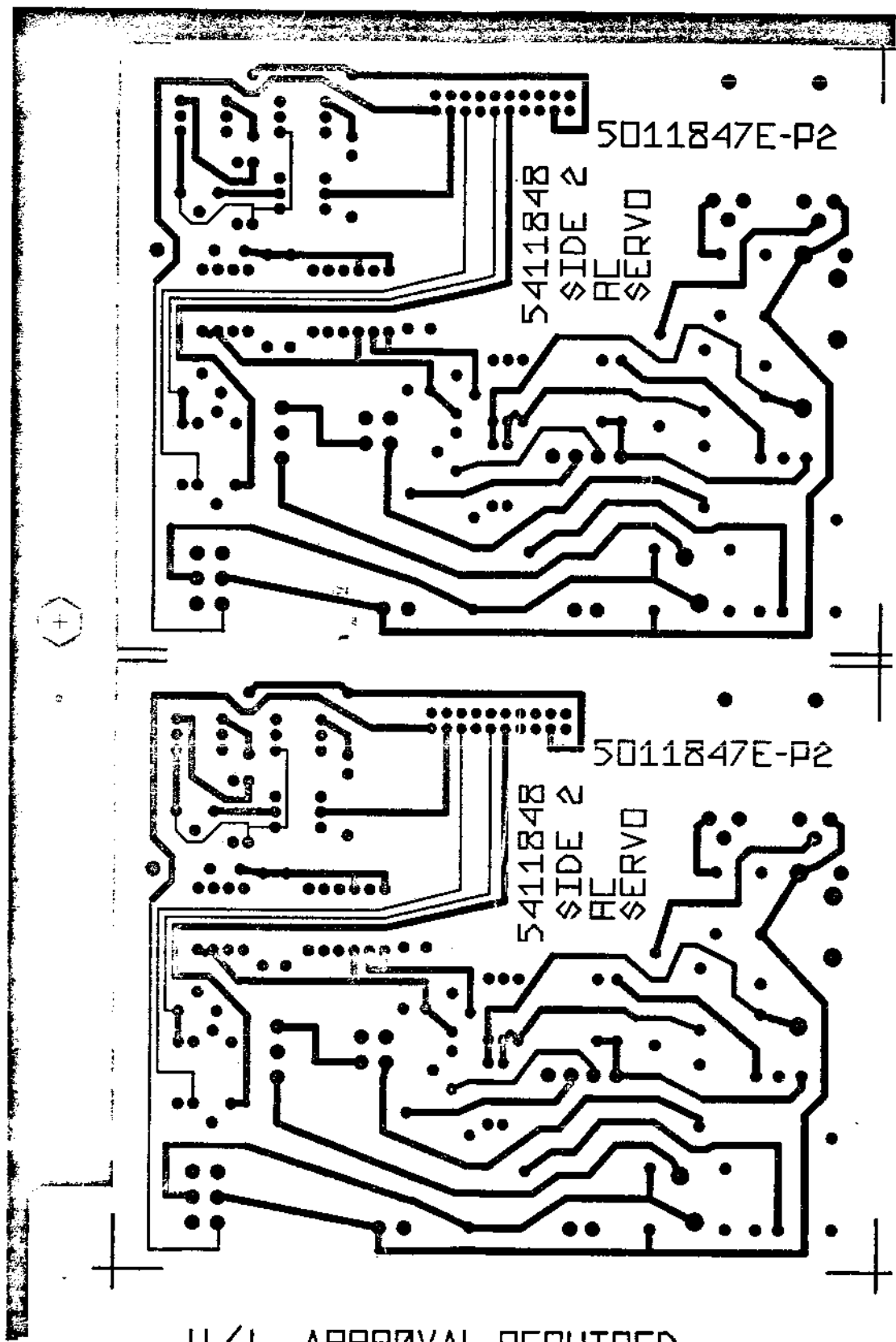
U/L APPROVAL REQUIRED

VIEWED FROM SIDE 1

REVISIONS		
CHK	CHANGE NO	REV

TITLE	AC SERVO	DWG CODE	DLA 37348	NUMBER	0-2	REV.	F
SCALE	2:1	SHEET	OF 4				

THIS DRAWING AND SPECIFICATIONS ARE THE PROPERTY OF DIGITAL EQUIPMENT CORPORATION AND SHALL NOT BE REPRODUCED OR COPIED OR USED IN WHOLE OR IN PART AS THE BASIS FOR THE MANUFACTURE OR SALE OF ITEMS WITHOUT THE WRITTEN PERMISSION OF DIGITAL EQUIPMENT CORPORATION. COPYRIGHT © 1971 DIGITAL EQUIPMENT CORPORATION



U/L APPROVAL REQUIRED

VIEWED FROM SIDE 2

REVISIONS		
CHK	CHANGE NO	REV

THIS DRAWING AND SPECIFICATIONS, HEREIN, ARE THE PROPERTY OF DIGITAL EQUIPMENT CORPORATION AND SHALL NOT BE REPRODUCED OR COPIED OR USED IN WHOLE OR IN PART AS THE BASIS FOR THE MANUFACTURE OR SALE OF ITEMS WITHOUT WRITTEN PERMISSION. COPYRIGHT © 1979 DIGITAL EQUIPMENT CORPORATION

REWORK INSTRUCTIONS

3-1. CHANGE Q3 AND Q4 TO 1510070-00, ITEM 38.

REVISIONS		
CHK	CHANGE NO.	REV.

TITLE	AC SERVO	SIZE CODE	D UA	NUMBER	5411848-0-0	REV.	F
SCALE	---	SHEET	4	OF	4	DIST.	

D
C
E
A

LINE ITEM	DOCUMENT NUMBER	PART NUMBER	DESCRIPTION	QTY PER VARIATION	REFERENCE DESIGNATOR
1	D-MD-5011847-0-0	5011847-00	ETCH CRKT BRD	1	
2		1011683-00	.022 MFD 50V 1% 67 CER.	1	C1
3		1012312-01	.47 MFD 50V XX	1	C2
4		1013682-00	.1 MFD 500V +80 -20% CER.	2	C3,C4
5		1001776-00	1 MFD 35V 10% S.TANT	2	C5,C7
6		1110856-00	1N 970B VZ=24.0 5% .40W Y	1	D1
7		1111577-00	1N 4454 TR= .4NS PIV= 50 S	10	D2-D6,D8,D9,D11-D13
8		1105796-00	1N 4004 PIV=400 I= 1A D041 SP	1	D7
9		1510727-01	OPTO COUPLED ISOLATOR	3	E1-E3
10		1213917-00	RLY, REED 5V COIL, DPDT	1	K2
11		1213915-00	RLY, REED, 5V COIL, SPDT	1	K1
12		1110997-00	VP 130A10 VOLT SUPPRESS, 130VAC	1	D10
13		1209941-04	HEADER, 100 20POS RT ANGLE	1	J1
14		1213922-00	HEADER 2POS	1	J2
15		1213922-01	HEADER 3POS	1	J3
16		1213922-03	HEADER 4POS	1	J4
17		1213922-04	HEADER 6POS	1	J4
18		1300315-00	470 1/2W 5% CC	2	R14,R21
19		1300271-00	220 1/4W 5% CC	3	R1,R3,R4
20		1311220-00	5.1 1/2W 5% CC	1	R18
21		1301327-00	68 K 1/4W 5% CC	1	R6
22		1302466-00	100 K 1/4W 5% CC	2	R5,R8
23		1300444-00	3.9 K 1/4W 5% CC	1	R20
24		1314516-00	200 K 1/4W 5% CC	2	R7,R23
25		1300496-00	15 K 1/4W 5% CC	1	R10
26		1300479-00	10 K 1/4W 5% CC	2	R11,R24
27		1300482-00	10 K 2W 10% CC	1	R12
28		1312927-00	16 1/4W 5% CC	2	R15,R16
29		1314649-00	430 K 1/4W 5% CC	1	R22

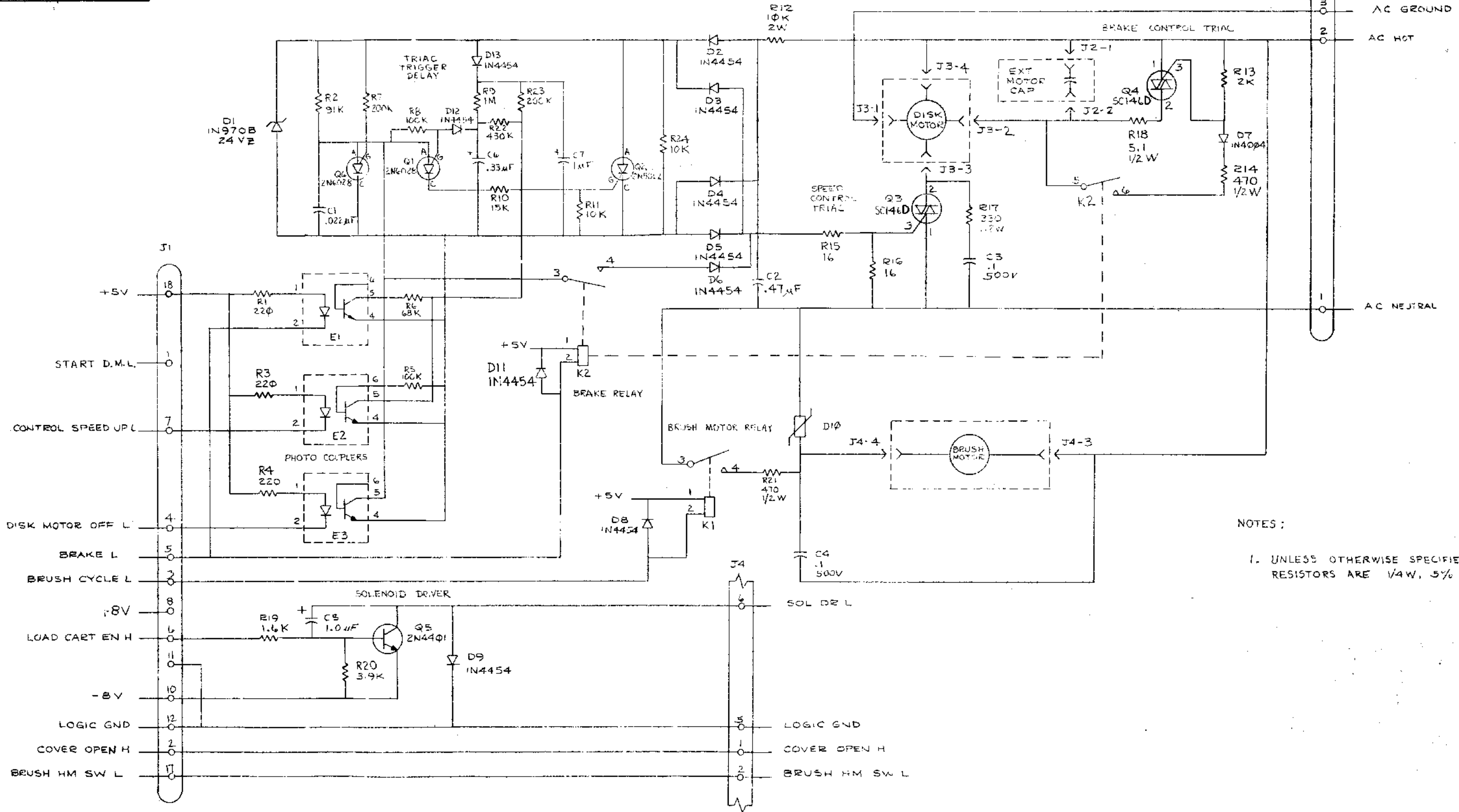
REVISION HISTORY		BASIC PART NO: 5411848		DRN:	H. RICHER	DATE: 23 MAR 76	D I G I T A L	
ENG	ECO NUMBER	REV	SECTION A OF A	CHK'D:	P. BURNELL	DATE: 10 JAN 77	TITLE PARTS LIST	
	INITIAL	E	SECTION VARIATION INDEX				AC SERVO	
MZ	5411848-CZ003	F	CAJ-00	DES. ENG:	P. BADUM	DATE: 7 JUN 77	DOCUMENT NUMBER	
			CBJ	RESP. ENG.:	P. BADUM	DATE: 7 JUN 77	SIZE	CODE
			CCJ	IMFG. ENG.:	D. LESAGE	DATE: 7 JUN 77	K	PL
			CDJ	ASSEMBLY NUMBER:			5411848-0-DBP	REV
			CNJ	FILE NAME:			Z0491.PLS	3
			CNJ	EDIT #				

THIS DRAWING AND SPECIFICATIONS HEREIN, ARE THE PROPERTY OF DIGITAL EQUIPMENT CORPORATION AND SHALL NOT BE REPRODUCED OR COPIED OR USED IN WHOLE OR IN PART AS THE BASIS FOR THE MANUFACTURE OR SALE OF ITEMS WITHOUT WRITTEN PERMISSION. COPYRIGHT (C) 1979, DIGITAL EQUIPMENT CORPORATION

LINE ITEM	DOCUMENT NUMBER	PART NUMBER	DESCRIPTION	QTY PER VARIATION	REFERENCE DESIGNATOR
30		1300296-00	330 1/2W 5% CC	1	R17
31		1302388-00	2 K 1/4W 5% CC	1	R13
32		1309595-00	1 M 1/4W 5% CC	1	R9
33		1303176-00	1.6 K 1/4W 5% CC	1	R19
34		1209941-03	HEADER RT ANGLE LEFT L	1	J1
35		1209941-04	HEADER RT ANGLE RIGHT	1	J1
36		1510877-00	2N 602B DUT 300MW R67B	2	Q1,Q6
37		1110968-00	2N 5062 SCR@100V I=.8A T092	1	Q2
38		1510070-00	TRIACR400V, I> 8A #RCA40669 M	2	Q3,Q4
39		1513489-00	2N 4401 NPN 350MW SI 40-20	1	Q5
40		9006557-00	NUT, KEP 4-40X 1/4 AF	2	Q3,Q4
41		9006010-01	SCREW, PAN, PHIL, 4-40X 5/16	2	Q3,Q4
42		9006655-00	WASHER, FLAT, .312 O.D. X .125 I	2	Q3,Q4
43			*** THIS ITEM IS NOT USED ***	-	
44		1000002-04	.33 MFD 35V 10% .150D S.TA	1	D6
45		1314650-00	91 K 1/4W 5% CC	1	R2

TITLE		SECTION A OF A		SIZE	CODE	DOCUMENT NUMBER	REV
D I G I T A L		AC SERVO		K	PL	5411848-0-DBP	F

THIS DRAWING AND SPECIFICATIONS HEREIN ARE THE PROPERTY OF DIGITAL EQUIPMENT CORPORATION AND SHALL NOT BE REPRODUCED OR COPIED OR USED IN WHOLE OR IN PART AS THE BASIS FOR THE MANUFACTURE OR SALE OF ITEMS WITHOUT WRITTEN PERMISSION.
 COPYRIGHT © 1976, DIGITAL EQUIPMENT CORPORATION



NOTES:
 1. UNLESS OTHERWISE SPECIFIED:
 RESISTORS ARE 1/4W, 5%

REV	CHANGE NO.	DATE	BY	CHK'D	DESCRIPTION
1	1	1-14-77	W. J. BURNELL	M. ZARICH	REVISED TO C1 PLUS FIELD SERVICE ANAD- TATION
2	2	5-11-78	W. J. BURNELL	M. ZARICH	REVISED TO C1 PLUS FIELD SERVICE ANAD- TATION

DRN	3/16/76	FIRST USED ON	RLO1
CHK'D	W. J. BURNELL	DATE	1-14-77
ENG.	W. J. BURNELL	TITLE	AC SERVO
PROJ. ENG.	W. J. BURNELL	NUMBER	D CS 5411848-0-1
PROD.	W. J. BURNELL	REV.	1
NEXT HIGHER ASSY.		SCALE	1 OF 1
D-0A-5411848-0-0	SIZE	CODE	D
SCALE	OF	DIST.	

LINE ITEM	DOCUMENT NUMBER	PART NUMBER	DESCRIPTION	QTY PER VARIATION	REFERENCE DESIGNATOR	
1	1	D-MD-5013533-0-0	5013533-00	ETCHED CIRCUIT BOARD	1	
2	2		1013466-08	680.0 MMF 50V 10% CER.	1	C12
3	3		1016009-00	2200 MMF 50V 5% CER.	1	C7
4	4		1001610-00	.01 MFD 50V -20+80 ZSU AXIAL	4	C1,C9,C10,C15
5	5		1002630-00	.015 MFD 100V 10% 663UM MYLR	1	C8
6	6		1013466-11	.22 MFD 50V +80/-20% CER.	4	C3,C5,C11,C16
7	7		1005306-00	6.8MFD 35V 10% S.TANT	4	C4,C6,C13,C14
8	8		1000076-00	39 MFD 10V 10% 150D S.TA	1	C2
9	9		1309422-00	5.1 1/4W 5% CC	1	R58
10	10		1312929-00	62 1/4W 5% CC	2	R3,R23
11	11		1311523-00	110 1/4W 5% CC	1	R22
12	12		1300247-00	120 1/4W 5% CC	1	R13
13	13		1300271-00	220 1/4W 5% CC	1	R59
14	14		1301425-00	300 1/4W 5% CC	1	R55
15	15		1303178-00	620 1/4W 5% CC	1	R6
16	16		1300365-00	1 K 1/4W 5% CC	5	R1,R7,R39,R44,R57
17	17		1300391-00	1.5 K 1/4W 5% CC	1	R5
18	18		1302388-00	2 K 1/4W 5% CC	2	R31,R43
19	19		1300426-00	2.7 K 1/4W 5% CC	2	R46,R47
20	20		1302389-00	4.3 K 1/4W 5% CC	1	R53
21	21		1300447-00	4.7 K 1/4W 5% CC	10	R10-R12,R14,R15,R19,R20,R24,R49, CONT R68
22	22		1303179-00	8.2 K 1/4W 5% CC	3	R9,R16,R17
23	23		1300488-00	12 K 1/4W 5% CC	4	R25,R26,R45,R56
24	24		1305346-00	27 K 1/4W 5% CC	1	R21
25	25		1305131-00	*** THIS ITEM IS NOT USED ***	-	
26	26		1312923-00	2.10 K 1/4W 1% RN55D-F 100PFM	1	R41
27	27		1305114-00	3.48 K 1/4W 1% RN55D-F 100PFM	1	R34
28	28		1314763-00	4.12 K 1/4W 1% RN55D-F 100PFM	1	R36
29	29		1303312-00	10.0 K 1/4W 1% RN55D-F 100PFM	3	R28,R29,R62

REVISION HISTORY		BASIC PART NO: 5413534		DRN:	JERRY BEST	DATE:	26-JUL-78	D I G I T A L			
ENGR	ECO NUMBER	REV	SECTION A OF A	CHK'D:	JERRY BEST	DATE:	26-JUL-78	PARTS LIST			
INIT	A	B	SECTION VARIATION INDEX	CHK'D:	JERRY BEST	DATE:	26-JUL-78	D.C. SERVO AND POWER SUPPLY			
EN	5413534-CZ001	B	CAJ 00	DES.ENG:	R. NOGUCHI	DATE:		DOCUMENT NUMBER			
			CBJ	RESP.ENG.:	R. NOGUCHI	DATE:	26-JUL-78	SIZE	CODE	NUMBER	REV
			CCJ	MFG.ENG.:	P. CHURCH	DATE:		K	PL	5413534-0-DBP	B
			CDJ	ASSEMBLY NUMBER:		TOP DOCUMENT NUMBER:		FILE NAME:		EDIT #	
			CEJ	DB-0A-5413534-0-0		RL02		Z0494B.PLS		13	
			CFJ	*THIS DRAWING AND SPECIFICATIONS HEREIN, ARE THE PROPERTY OF DIGITAL EQUIPMENT CORPORATION AND SHALL NOT BE REPRODUCED OR COPIED OR USED IN WHOLE OR IN PART AS THE BASIS FOR THE MANUFACTURE OR SALE OF ITEMS WITHOUT WRITTEN PERMISSION. COPYRIGHT (C) 1979, DIGITAL EQUIPMENT CORPORATION *							

LINE ITEM	DOCUMENT NUMBER	PART NUMBER	DESCRIPTION	QTY PER VARIATION	REFERENCE DESIGNATOR	
30	30		1312924-00	10.7 K 1/4W 1% RN55D-F 100PFM	1	R32
31	31		1309412-00	18.2 K 1/4W 1% RN55D-F 100PFM	1	R33
32	32		1315436-00	52.3 K 1% RN55D-F 100PFM	1	R54
33	33		1304843-00	243 K 1/4W 1% RN55D-F 100PFM	1	R72
34	34		1315437-00	237 K 1% RN55D-F 100PFM	1	R38
35	35		1302378-00	51 1/2W 5% CC	1	R51
36	36		1300364-00	1 K 1/2W 5% CC	2	R18,R48
37	37		1314068-00	360 1W 5% CC	1	R4
38	38		1300368-00	1 K 1W 5% CC	1	R8
39	39		1301494-00	200 2W 5% CC	1	R50
40	40		1313358-00	1.2 5W 3% WM	2	R2,R52
41	41		1105796-00	1N 4004 PIV=400 I= 1A D041 SF	3	D1,D2,D5
42	42		1113953-00	1N 5523D VZ= 5.1 1% 8		D4,D6,D8,D9,D16,D18,D21,D22
43	43		1109990-00	1N 757A VZ= 9.1 5% .40W P	2	D23,D24
44	44		1110994-00	1N 751A VZ= 5.1 5% .40W	1	D14
45	45		1114117-00	1N 4152 PIV=450 I=75M	6	D3,D7,D10,D11,D12,D13
46	46		1111577-00	1N 4454 TR= 4NS PIV= 50 S	6	D15,D17,D20,D25-D27
47	47		1513698-00	TRIAC0200V,1P-14A	1	D19
48	48		9009597-00	INSULATOR, THERMA-FILM	1	
49	49		1513489-00	2N 4401 NFN 350MW SI 40 20	4	R2,R4,R8,R9
50	50		1513490-00	2N 4403 PNP 350MW SI-40 30	6	R1,R3,R5-R7,R11
51	51		1511282-00	MJ2500 PNP 150WC SI 60 5 1K 5A	2	E4,E6
52	52		1511349-00	TIP 640 (OR M.13000) NFN BARLINGT	1	E3
53	53		1911706-00	5012 ANALOG SWITCH,4CHNL	1	E8
54	54		1912018-00	LS38 NAND BUFFER-QUAD 2IN	1	E10
55	55		1912107-01	324ANDP AMP,QUAD	1	E7
56	56		1913695-00	7808 VOLT.REG.FIX +	1	E9
57	57		1913694-00	7908 VOLT.REG.FIX -	1	E5
58	58		9008419-00	WASHER, FLAT, THERMAFILM .002THK	5	
59	59		7418595-00	HEATSINK ASSEMBLY	1	
60	60		9008033-01	SCREW,PAN,PHIL, 4-40X 9/16	11	
61	61		9006557-00	NUT,KEP, 4-40X 1/4 AF	11	
62	62		9006555-00	WASHER, FLAT, .312 O.D. X .125 I	11	
63	63		9008268-00	COMPOUND, THERMAL JOINT	1	
64	64		1210824-00	THERMOSTAT,C021S,C0156,SPST	1	S1
65	65		9008185-00	NUT,KEP, 6-32X1/4 AF	1	
66	66		9006653-00	WASHER, FLAT, .375 O.D. X .156 I	1	
67	67		1205747-00	FUSE, SUB-MINI, 5.000A, 125V, A	1	F1
68	68		9006735-00	EYELET, FUNNEL FLANGE, .059 OD X	6	TF13-TF18
69	69		9007791-00	TERM PCB 2POS SOLDER,TURRET	13	TF0-TF12
70	70		1213922-01	HEADER 3POS	1	J1
71	71		1213922-04	HEADER 6POS	1	J2
72	72		1213900-00	CONN,RCPT 6PIN	1	J3
73	73		1209941-04	HEADER,100 20POS RT ANGLE	1	J4
74	74		1209941-06	HEADER RT ANGLE,RIGHT	1	
75	75		1209941-03	HEADER RT ANGLE LEFT L	1	
76	76		1305324-00	4.99 K 1/4W 1% RN55D-F 100PFM	2	R37,R30
77	77		1300250-00	150 1/4W 5% CC	1	R42

TITLE		SECTION A OF A		SIZE	CODE	DOCUMENT NUMBER	REV
D I G I T A L		D.C. SERVO AND POWER SUPPLY		K	PL	5413534-0-DBP	B

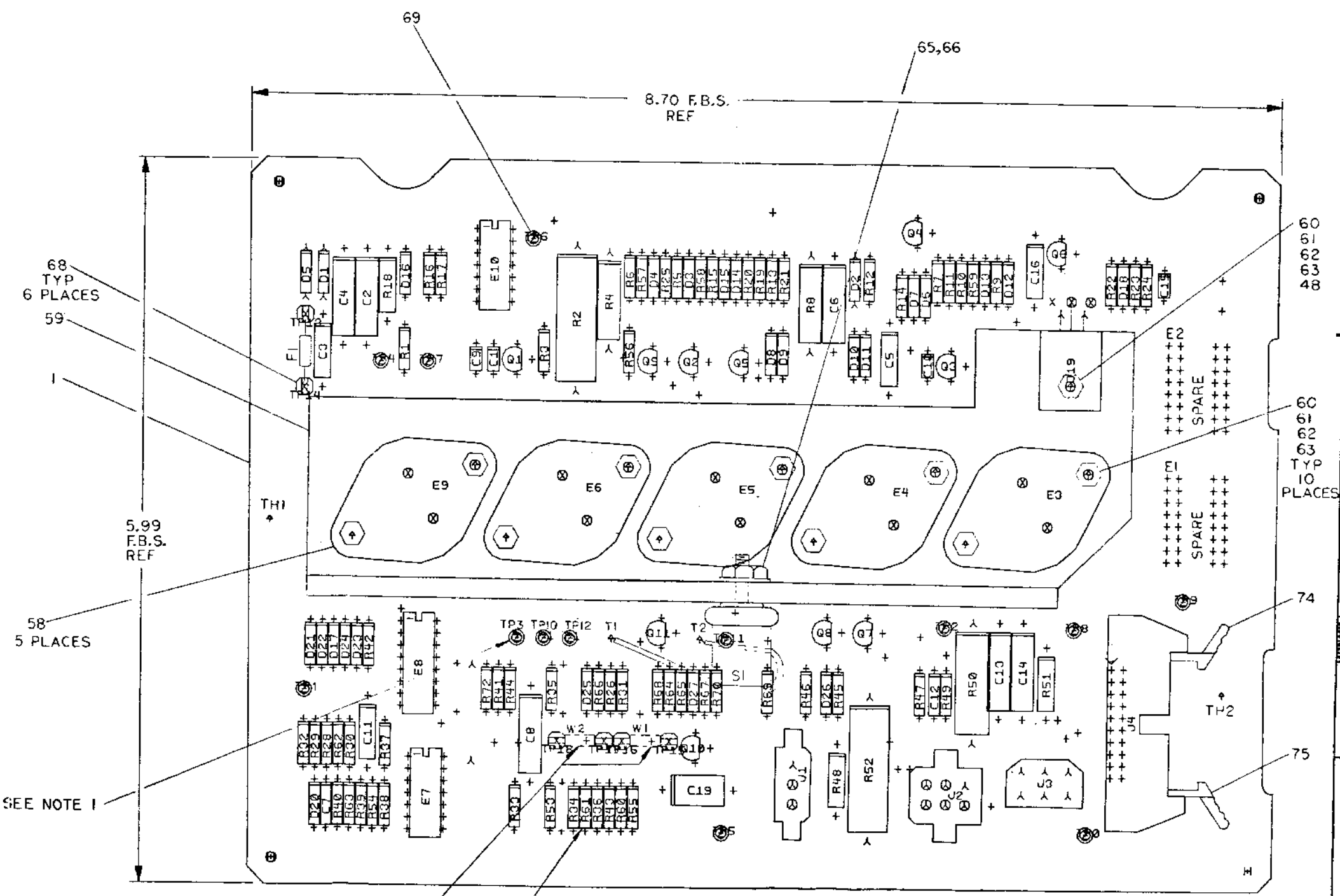
LINE ITEM	DOCUMENT NUMBER	PART NUMBER	DESCRIPTION	QTY PER VARIATION 00	REFERENCE DESIGNATOR
78	78	1312618-00	16.9 K 1/4W 1% RN55D-F 100PPM	1	R40
79	79	1300229-00	100 1/4W 5% CC	1	R63
80	80	1305336-00	*** THIS ITEM IS NOT USED ***	-	
81	81	1309416-00	31.6 K 1/4W 1% RN55D-F 100PPM	1	R65
82	82	1015574-01	*** THIS ITEM IS NOT USED ***	-	
83	83	9009185-00	JUMPER, WIRE, INSULATED, BLACK B	2	W1,W2
84	84	1303044-00	100 K 1/4W 1% RN55D-F 100PPM	1	R64
85	85	1015574-00	*** THIS ITEM IS NOT USED ***	-	
86	86	1315435-00	25.5 K 1/4W 1% RN55D-F 100PPM	1	R66
87	87	1312930-00	5.1 K 1/4W 5% CC	1	R67
88	88	1015520-00	1 MFD 100V 5% M.POLYESTER	1	C19
89	89	1513697-00	2N 5640 FET N CHNNL	1	Q10
90	90	1300479-00	10 K 1/4W 5% CC	1	R69
91	91	1302466-00	100 K 1/4W 5% CC	1	R70

D	I	G	I	T	A	L	TITLE	SECTION A OF A	SIZE	CONF	DOCUMENT NUMBER	REV
							D.C. SERVO AND POWER SUPPLY		K	PL	5413534-0-DBP	B

THIS DRAWING AND SPECIFICATIONS HEREIN ARE THE PROPERTY OF DIGITAL EQUIPMENT CORPORATION AND SHALL NOT BE REPRODUCED OR COPIED OR LENT IN WHOLE OR IN PART AS THE BASIS FOR THE MANUFACTURE OR SALE OF ITEMS WITHOUT WRITTEN PERMISSION.
 COPYRIGHT © 1970 DIGITAL EQUIPMENT CORPORATION

C-0-5299-05 400 2 1

COMPONENT SIDE VIEW



- NOTES:
- TP3, TP11, TP12 STRIPS THRU THIS TO BE MOUNTED ON SIDE 2.
 - R60 AND R61 ARE TO BE INSTALLED AFTER FINAL TEST.
 - INSTALL W1 AND W2 FOR RL01. INSTALL W2 ONLY FOR RL22. W1 & W2 ARE LOCATED ON SIDE 2.

CHK	CHANGE NO	REV	B	C
	541334-C20X			
	BOB NOGUCHI			
	M. J. ZARICH			
	M. J. ZARICH			
	CX12A			
	541334			
	M. J. ZARICH			

ETCH REV. B	DATE
P.E. DESIGN DATA BASE REV. E1	

SIGNATURES		DATE
DRN. <i>Bob Noguchi</i>		
CHK'D. <i>Bob Noguchi</i>		
ENG. <i>Bob Noguchi</i>		
PROJ. ENG. <i>Bob Noguchi</i>		
PROD. <i>Bob Noguchi</i>		
SCALE 2/1	SIZE CODE	NUMBER
SHT. 1 OF 1	0 UA	541334-0-0
NEXT HIGHER ASSY. 541334-0-0		REV C

digital

TITLE DC SERVO & POWER SUPPLY

LINE ITEM	DOCUMENT NUMBER	PART NUMBER	DESCRIPTION	QTY PER VARIATION	REFERENCE DESIGNATOR
1	D-MD-5013533-0-0	5013533-00	ETCHED CIRCUIT BOARD	1	
2		1013466-08	680.0 MMF 50V 10% X7R CER	1	C12
3		1016009-00	2200.0 MMF 50V 5% CER	1	C7
4		1001610-00	.01 MFD 50V +80-20% Z5U CER	4	C1,C9,C10,C15
5		1002630-00	.015 MFD 100V 10% NYLR	1	C8
6		1013466-11	.22 MFD 50V +80-20% Z5U CER	4	C3,C5,C11,C16
7		1005306-00	6.8MFD 35V 10% S.TANT	4	C4,C6,C13,C14
8		1000076-00	39 MFD 10V 10% S.TANT	1	C2
9		1309422-00	5.10 .25 W 5.0 % CC	1	R58
10		1312929-00	62.0 .25 W 5.0 % CC	2	R3,R23
11		1311523-00	110.0 .25 W 5.0 % CC	1	R22
12		1300247-00	120.0 .25 W 5.0 % CC	1	R13
13		1300271-00	220.0 .25 W 5.0 % CC	1	R59
14		1301425-00	300.0 .25 W 5.0 % CC	1	R55
15		1303178-00	620.0 .25 W 5.0 % CC	1	R6
16		1300365-00	1.0 K .25 W 5.0 % CC	5	R1,R7,R39,R44,R57
17		1300391-00	1.50 K .25 W 5.0 % CC	1	R5
18		1302388-00	2.0 K .25 W 5.0 % CC	2	R31,R43
19		1300426-00	2.70 K .25 W 5.0 % CC	2	R46,R47
20		1302389-00	4.30 K .25 W 5.0 % CC	1	R53
21		1300447-00	4.70 K .25 W 5.0 % CC	10	R10-R12,R14,R15,R19,R20,R24,R49,
22		1303179-00	8.20 K .25 W 5.0 % CC	3	CONT R68
23		1300488-00	12.0 K .25 W 5.0 % CC	4	R9,R16,R17
24		1305346-00	27.0 K .25 W 5.0 % CC	1	R25,R26,R45,R56
25		1305131-00	*** THIS ITEM IS NOT USED ***	-	R21
26		1312923-00	2.10 K .25 W 1.0 % RN55D-F10	1	R41
27		1305114-00	3.48 K .25 W 1.0 % RN55D-F10	1	R34
28		1314763-00	4.12 K .25 W 1.0 % RN55D-F10	1	R36
29		1303312-00	10.0 K .25 W 1.0 % RN55D-F10	3	R28,R29,R62

REVISION HISTORY		BASIC PART NO: 5413534		DRN:	JERRY BEST	DATE:	26-JUL-78
ENG:	ECO NUMBER	REV	SECTION A OF A	CHK'D:	JERRY BEST	DATE:	26-JUL-78
	INIT	A	SECTION VARIATION INDEX	DES.ENG:	R. NOGUCHI	DATE:	
	5413534-CZ001	B	[A] 00	RESP.ENG.:	R. NOGUCHI	DATE:	26-JUL-78
	5413534-CX003	C	[B]	MFG.ENG.:	P. CHURCH	DATE:	
			[C]	ASSEMBLY NUMBER:		TOP DOCUMENT NUMBER:	
			[D]	ID-DA-5413534-0-0		FILE NAME:	Z0494C.PLS
			[E]			EDIT #	18
			[F]				
			[G]				
			[H]				
			[I]				
			[J]				
			[K]				
			[L]				
			[M]				
			[N]				

THIS DRAWING AND SPECIFICATIONS HEREIN, ARE THE PROPERTY OF DIGITAL EQUIPMENT CORPORATION AND SHALL NOT BE REPRODUCED OR COPIED OR USED IN WHOLE OR IN PART AS THE BASIS FOR THE MANUFACTURE OR SALE OF ITEMS WITHOUT WRITTEN PERMISSION. COPYRIGHT (C) 1980, DIGITAL EQUIPMENT CORPORATION

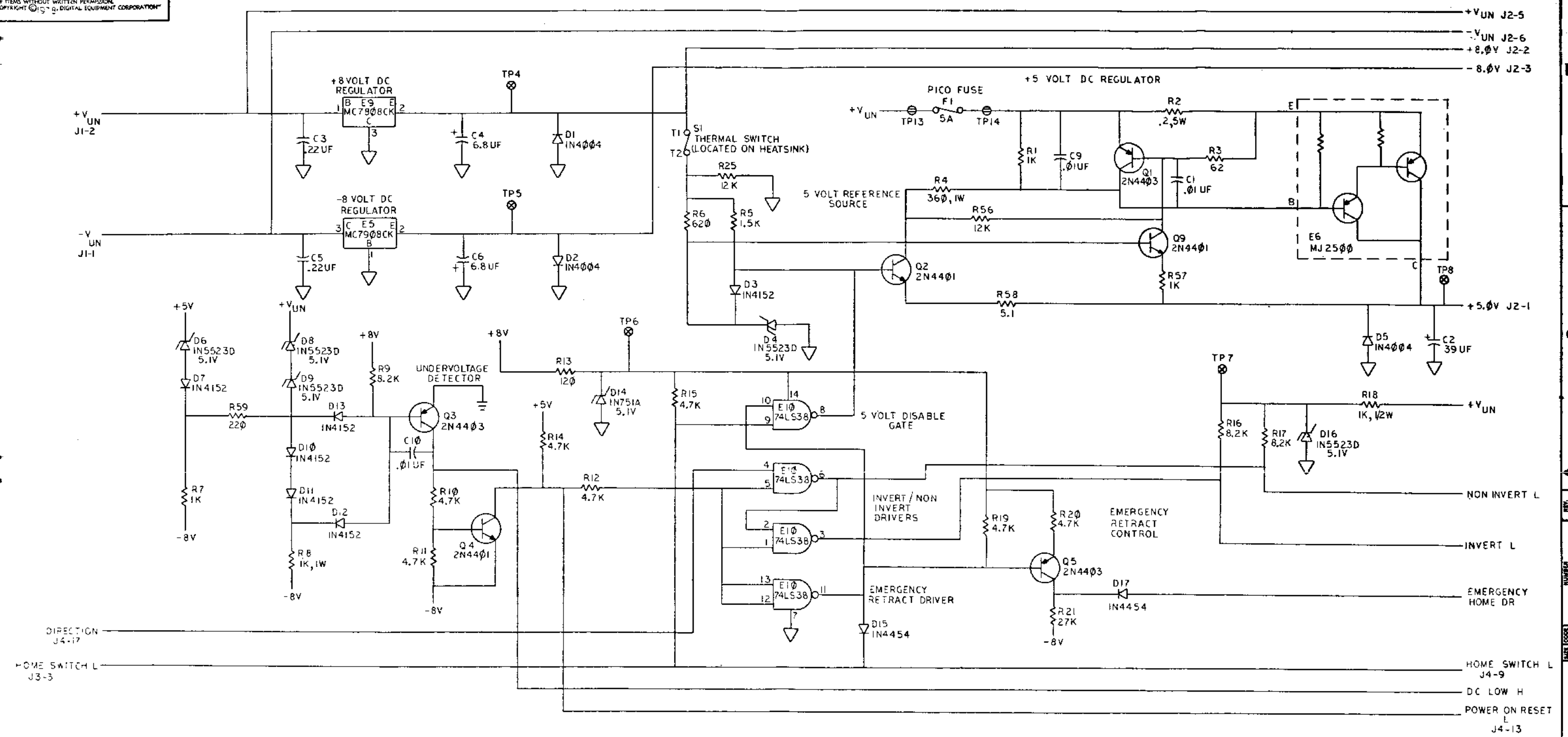
LINE ITEM	DOCUMENT NUMBER	PART NUMBER	DESCRIPTION	QTY PER VARIATION	REFERENCE DESIGNATOR
30		1312924-00	10.70 K .25 W 1.0 % RN55D-F10	1	R32
31		1309412-00	18.20 K .25 W 1.0 % RN55D-F10	1	R33
32		1315436-00	52.30 K .25 W 1.0 % RN55D-F10	1	R54
33		1304843-00	243.0 K .25 W 1.0 % RN55D-F10	1	R72
34		1315437-00	237.0 K .25 W 1.0 % RN55D-F10	1	R38
35		1302378-00	51.0 .50 W 5.0 % CC	1	R51
36		1300364-00	1.0 K .50 W 5.0 % CC	2	R18,R48
37		1314068-00	360.0 1.0 W 5.0 % CC	1	R4
38		1300368-00	1.0 K 1.0 W 5.0 % CC	1	R8
39		1301494-00	200.0 2.0 W 5.0 % CC	1	R50
40		1313358-00	.20 5.0 W 3.0 % WW	2	R2,R52
41		1105796-00	1N 4004 PIV=400 I=1A D041 SP	3	D1,D2,D5
42		1113953-00	1N 5523D VZ= 5.1 1Z	8	D4,D6,D8,D9,D16,D18,D21,D22
43		1109990-00	1N 757A VZ= 9.1 5Z .40W P	2	D23,D24
44		1110994-00	1N 751A VZ= 5.1 5Z .40W	1	D14
45		1114117-00	1N 4152 PIV=450 I=75M	6	D3,D7,D10,D11,D12,D13
46		1111577-00	1N 4454 TR= 4NS PIV= 50 S	6	D15,D17,D20,D25-D27
47		1513698-00	TRIAC@200V,I>14A	1	D19
48		9009597-00	INSULATOR, THERMA-FILM	1	
49		1513489-00	2N 4401 NPN 350MW SI 40 20	4	Q2,Q4,Q8,Q9
50		1513490-00	2N 4403 PNP 350MW SI-40 30	6	Q1,Q3,Q5-Q7,Q11
51		1511282-00	MJ2500 PNP 150WC SI 60 5 1K 5A	2	E4,E6
52		1511349-00	TIP 640 (OR MJ3000) NPN DARLINGT	1	E3
53		1911706-00	5012 ANALOG SWITCH,4CHNL	1	E8
54		1912818-00	LS38 NAND BUFFER-QUAD 2IN	1	E10
55		1912107-01	324ANDP AMP,QUAD	1	E7
56		1913695-00	7808 VOLT REG, FIX +8V	1	E9
57		1913694-00	7908 VOLT REG, FIX -8V	1	E5
58		9008419-00	WASHER, FLAT, THERMAFILM .002THK	5	
59		7418595-00	HEATSINK ASSEMBLY	1	
60		9008033-01	SCREW,FAN,PHIL 4-40X 9/16 SS	11	
61		9006557-00	NUT,KEP 4-40X 1/4 AF	11	
62		9006655-00	WASHER, FLAT, .312 O.D. X .125 I	11	
63		9008268-00	COMPOUND, THERMAL JOINT	A/R	
64		1210824-00	THERMOSTAT,00215,C0156,SPST,NORM	1	S1
65		9008185-00	NUT,KEP 6-32X1/4 AF	1	
66		9006653-00	WASHER, FLAT, .375 O.D. X .156 I	1	
67		1205747-00	FUSE, SUB-MINI, 5.000A, 125V, A	1	F1
68		9006735-00	EYELET, FUNNEL FLANGE, .059 OD X	6	TP13-TP18
69		9007791-00	TERM PCB 2POS SOLDER,TURRET	13	TP0-TP12
70		1213922-01	HEADER 3POS	1	J1
71		1213922-04	HEADER 6POS	1	J2
72		1213900-00	CONN,RCPT 6POS	1	J3
73		1209941-06	HEADER,100 20POS RT ANGLE	1	J4
74		1209941-04	HEADER RT ANGLE,RIGHT	1	
75		1209941-03	HEADER RT ANGLE LEFT L	1	
76		1305324-00	4.99 K .25 W 1.0 % RN55D-F10	2	R37,R30
77		1300250-00	150.0 .25 W 5.0 % CC	1	R42

TITLE		SECTION A OF A		SIZE	CODE	DOCUMENT NUMBER	REV
D.C. SERVO AND POWER SUPPLY		SECTION A OF A		K	PL	5413534-0-DRP	C

LINE	ITEM	DOCUMENT NUMBER	PART NUMBER	DESCRIPTION	QTY PER VARIATION 00	REFERENCE DESIGNATOR
78	78		1312618-00	16.90 K .25 W 1.0 % RN55D-F10	1	R40
79	79		1300229-00	100.0 .25 W 5.0 % CC	1	R63
80	80		1305336-00	*** THIS ITEM IS NOT USED ***	-	
81	81		1309416-00	31.60 K .25 W 1.0 % RN55D-F10	1	R65
82	82		1002781-00	100 MFD 25V +75-10% AL EL	1	C20
83	83		9009185-00	JUMPER, WIRE, INSULATED, BLACK B	2	W1,W2
84	84		1303044-00	100.0 K .25 W 1.0 % RN55D-F10	1	R64
85	85		1015574-00	*** THIS ITEM IS NOT USED ***	-	
86	86		1315435-00	25.50 K .25 W 1.0 % RN55D-F10	1	R66
87	87		1312930-00	5.10 K .25 W 5.0 % CC	1	R67
88	88		1015520-00	1 MFD 100V 5% MET. HYLR	1	C19
89	89		1513697-00	2N 5640 FET N CHNNL	1	Q10
90	90		1300479-00	10.0 K .25 W 5.0 % CC	1	R69
91	91		1302466-00	100.0 K .25 W 5.0 % CC	1	R70
92	92		9105740-55	WIRE(WRAP)30AWG UL1423	A/R	

D I G I T A L				TITLE	SECTION A OF A	SIZE/CODE	DOCUMENT NUMBER	REV
				D.C. SERVO AND POWER SUPPLY		K PL	5413534-0-DBP	C

THIS DRAWING AND SPECIFICATIONS HEREIN ARE THE PROPERTY OF DIGITAL EQUIPMENT CORPORATION AND SHALL NOT BE REPRODUCED OR COPIED OR USED IN WHOLE OR IN PART AS THE BASIS FOR THE MANUFACTURE OR SALE OF ITEMS WITHOUT WRITTEN PERMISSION. COPYRIGHT © 1970 DIGITAL EQUIPMENT CORPORATION



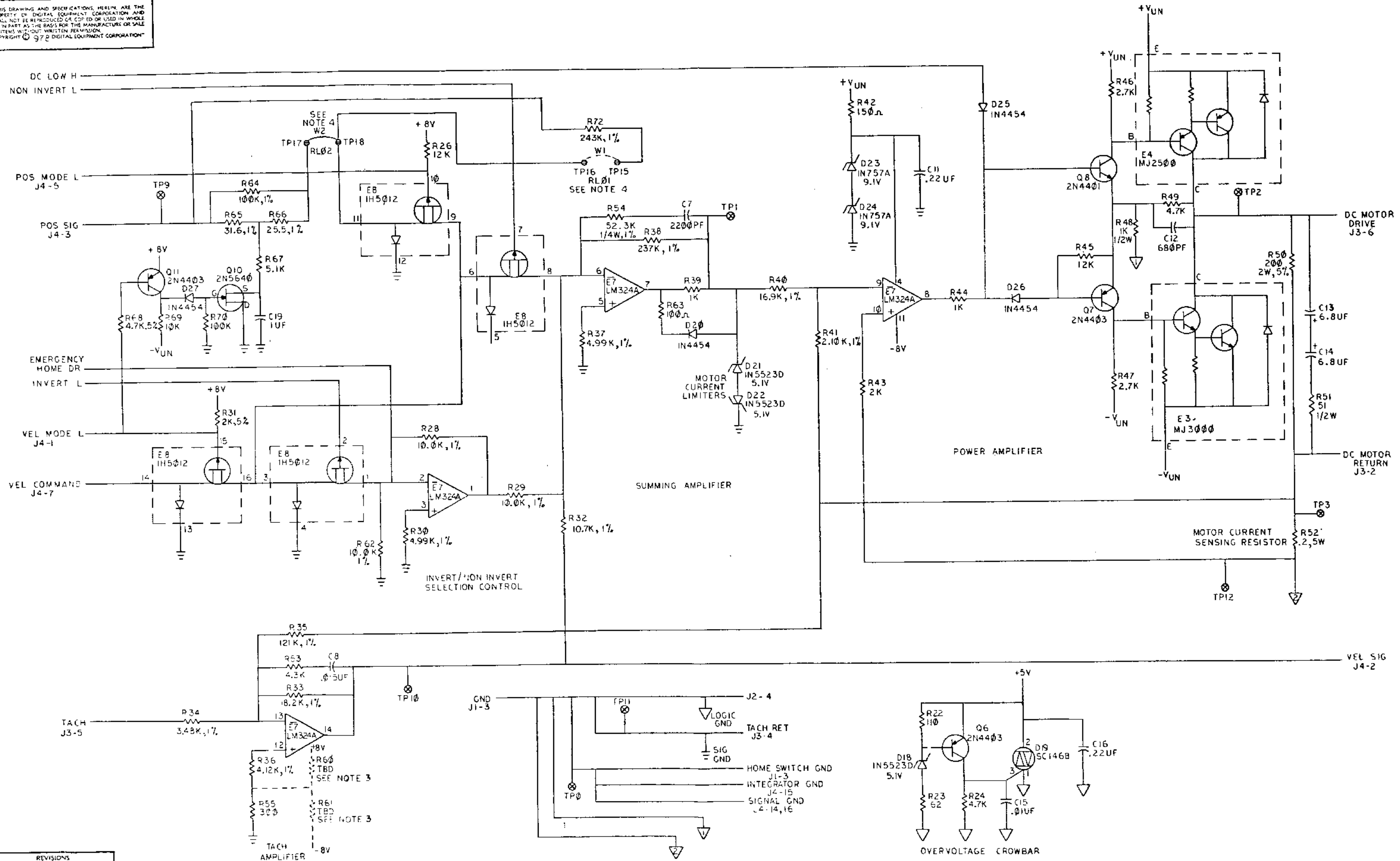
- NOTES:
1. ALL RESISTORS TO BE 1/4W, 5% UNLESS OTHERWISE SPECIFIED.
 2. E1 AND E2 ARE SPARES.
 3. VALUE OF R60 OR R61 WILL BE DETERMINED IN TESTING.
 4. INSTALL W1 AND W2 FOR RL01 ON SIDE 2. INSTALL W2 ONLY FOR RL02 ON SIDE 2.

REV	DATE	BY	CHK
1	11/13/64	W. J. INOUCHE	
2	11/13/64	M. ZARICH	
3	11/13/64	M. ZARICH	

DESCRIPTION		DWG PART NO	ITEM NO.
UNLESS OTHERWISE SPECIFIED DIMENSIONS ARE IN INCHES			
ANGLES	CLASS OF SURFACE	DIMENSIONAL RANGE INCHES	
±0° 30'	CHECK ONE	OVER 0.25 TO 0.5	OVER 0.5 TO 1.0
SURFACE QUALITY	IN	OVER 1.0 TO 4.0	OVER 4.0 TO 8.0
MEDIUM	±.004	±.008	±.015
PREFERRED	±.012	±.016	±.025
±.04	±.06	±.08	±.10

QUANTITY & VARIATION	DRN	FIRST USED ON
THIRD ANGLE PROJECTION	CHK'D	digital
REMOVE BURRS AND BREAK SHARP CORNERS	ENG.	TITLE
DO NOT SCALE DWG	PROJ. ENG.	DC SERVO AND POWER SUPPLY
MATERIAL	PROD.	D-0A-54 3534-0-0
FINISH	NEXT HIGHER ASSY.	SIZE CODE NUMBER REV.
		D CS543534-0-1
		SHEET OF 3

THIS DRAWING AND SPECIFICATIONS, HEREIN, ARE THE PROPERTY OF DIGITAL EQUIPMENT CORPORATION AND SHALL NOT BE REPRODUCED OR COPIED OR USED IN WHOLE OR IN PART AS THE BASIS FOR THE MANUFACTURE OR SALE OF ITEMS WITHOUT WRITTEN PERMISSION. COPYRIGHT © 1972 DIGITAL EQUIPMENT CORPORATION



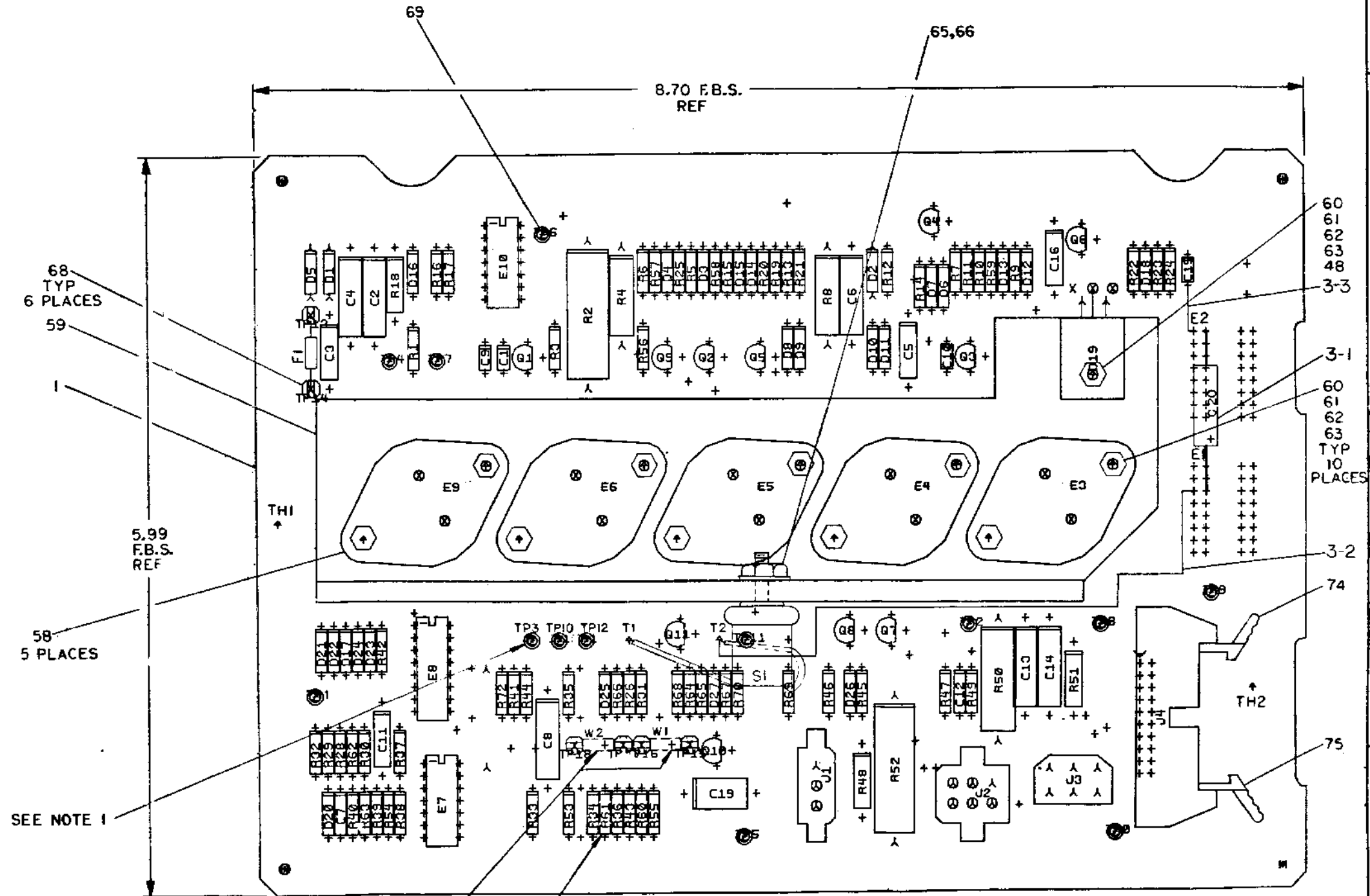
REVISIONS		
CHK	CHANGE NO	REV.

TITLE		DC SERVO AND POWER SUPPLY	
SIZE CODE	NUMBER	DCS 5413534-0-1	
SCALE	SHEET	OF	

DCS 5413534-0-1 REV. C

THIS DRAWING AND SPECIFICATIONS, HEREIN, ARE THE PROPERTY OF DIGITAL EQUIPMENT CORPORATION AND SHALL NOT BE REPRODUCED OR COPIED OR USED IN WHOLE OR IN PART AS THE BASIS FOR THE MANUFACTURE OR SALE OF ITEMS WITHOUT WRITTEN PERMISSION.
 DEPARTMENT © 1978 DIGITAL EQUIPMENT CORPORATION

COMPONENT SIDE VIEW



- NOTES:
- TP3, TP11, TP12 & TP15 THRU TP18 TO BE MOUNTED ON SIDE 2.
 - R60 AND R61 ARE TO BE INSTALLED AFTER FINAL TEST.
 - INSTALL W1 AND W2 FOR RL01. INSTALL W2 ONLY FOR RL22. W1 & W2 ARE LOCATED ON SIDE 2.

CHK	CHANGE NO.	REV	B	C	D
5413534-02001		B			
5413534-02002		C			
5413534-02003		D			

ETCH REV. B
P.C. DESIGN DATA BASE REV. EL

SIGNATURES	DATE	digital
DRN. Paul A. Handach	8/15/78	
CHK. D. J. ...	8/15/78	
ENG. ...	8/15/78	
PROJ. ENG. ...	8/15/78	
PROD. ...	8/15/78	
SCALE 2/1		TITLE DC SERVO & POWER SUPPLY
SHT. 1 OF 2		SIZE CODE NUMBER REV
NEXT HIGHER ASSY. B-DD-5413534-0		D UA 5413534-0-0 D

THIS DRAWING AND SPECIFICATIONS HEREIN ARE THE PROPERTY OF DIGITAL EQUIPMENT CORPORATION AND SHALL NOT BE REPRODUCED OR COPIED OR USED IN WHOLE OR IN PART AS THE BASIS FOR THE MANUFACTURE OR SALE OF ITEMS WITHOUT WRITTEN PERMISSION. COPYRIGHT © 1980 DIGITAL EQUIPMENT CORPORATION

REWORK INSTRUCTIONS:

ECO 5413534-CX003

COMPONENT ADDS SIDE 1:

- 3-1 ADD POLARIZED SIDE OF C20 (1002781-00) AT E1-3 AND THE GND SIDE AT E2-1.

WIRE ADDS SIDE 1:

- 3-2 ADD WIRE FROM THE PTH NEXT TO E1-3 TO T2.
- 3-3 ADD WIRE FROM THE PTH NEXT TO E2-1 TO C15 GND (BOTTOM).

REVISION HISTORY		
DATE	ECO NUMBER	REV.

DOCUMENT NUMBER		
SIZE CODE	NUMBER	REV.
DUA	5413534-0-0	D
SCALE	SHEET 2 OF 2	

TITLE DC SERVO AND POWER SUPPLY

DUA 5413534-0-0 D

LINE ITEM	DOCUMENT NUMBER	PART NUMBER	DESCRIPTION	QTY	PER VARIATION	REFERENCE DESIGNATOR
				00		
1	1	D-MD-5013533-0-0	5013533-00	ETCHED CIRCUIT BOARD	1	
2	2		1013466-08	680.0 MMF 50V 10% X7R CER	1	C12
3	3		1016009-00	2200.0 MMF 50V 5% CER	1	C7
4	4		1001610-00	.01 MFD 50V +80-20% Z5U CER	4	C1,C9,C10,C15
5	5		1002630-00	.015 MFD 100V 10% MYLR	1	C8
6	6		1013466-11	.22 MFD 50V +80-20% Z5U CER	4	C3,C5,C11,C16
7	7		1005306-00	*** THIS ITEM IS NOT USED ***	-	
8	8		1000076-00	*** THIS ITEM IS NOT USED ***	-	
9	9		1309422-00	5.10 .25 W 5.0 %	1	R58
10	10		1312929-00	62.0 .25 W 5.0 %	2	R3,R23
11	11		1311523-00	110.0 .25 W 5.0 %	1	R22
12	12		1300247-00	120.0 .25 W 5.0 %	1	R13
13	13		1300271-00	220.0 .25 W 5.0 %	1	R59
14	14		1301425-00	300.0 .25 W 5.0 %	1	R55
15	15		1303178-00	620.0 .25 W 5.0 %	1	R6
16	16		1300365-00	1.0 K .25 W 5.0 %	5	R1,R7,R39,R44,R57
17	17		1300391-00	1.50 K .25 W 5.0 %	1	R5
18	18		1302388-00	2.0 K .25 W 5.0 %	2	R31,R43
19	19		1300426-00	2.70 K .25 W 5.0 %	2	R46,R47
20	20		1302389-00	4.30 K .25 W 5.0 %	1	R53
21	21		1300447-00	4.70 K .25 W 5.0 %	10	R10-R12,R14,R15,R19,R20,R24,R49,
						CONT R68
22	22		1303179-00	8.20 K .25 W 5.0 %	3	R9,R16,R17
23	23		1300488-00	12.0 K .25 W 5.0 %	4	R25,R26,R45,R56
24	24		1305346-00	27.0 K .25 W 5.0 %	1	R21
25	25		1305131-00	*** THIS ITEM IS NOT USED ***	-	
26	26		1312923-00	2.10 K .25 W 1.0 % RN55D-F10	1	R41
27	27		1305114-00	3.48 K .25 W 1.0 % RN55D-F10	1	R34
28	28		1314763-00	4.12 K .25 W 1.0 % RN55D-F10	1	R36
29	29		1303312-00	10.0 K .25 W 1.0 % RN55D-F10	3	R28,R29,R62

REVISION HISTORY			BASIC PART NO: 5413534			DRN: JERRY BEST			DATE: 26-JUL-78			DIGITAL		
ENG	ECD NUMBER	REV	SECTION A OF A	CHK'D:	JERRY BEST	DATE:	26-JUL-78	TITLE	PARTS LIST					
	INIT	A	SECTION VARIATION INDEX	CHK'D:	JERRY BEST	DATE:	26-JUL-78	D.C. SERVO AND POWER SUPPLY						
	BN 5413534-CZ001	B	[A] 00											
	MZ 5413534-CX003	C	[B]											
	MZ 5413534-CX004	D	[C]	DES.ENG:	R. NOGUCHI	DATE:								
			[D]	RESP.ENG.:	R. NOGUCHI	DATE:	26-JUL-78	DOCUMENT NUMBER						
			[E]					SIZE	CODE	NUMBER	REV			
			[F]					K	PL	5413534-0-DBP	D			
			[G]											
			[H]											
			[I]											
			[J]											
			[K]	MFG.ENG.:	P. CHURCH	DATE:								
			[L]											
			[M]	ASSEMBLY NUMBER:		TOP DOCUMENT NUMBER:		FILE NAME:		EDIT #				
			[N]	D-UA-5413534-0-0		REL02		204940.PLS		20				

*THIS DRAWING AND SPECIFICATIONS HEREIN, ARE THE PROPERTY OF DIGITAL EQUIPMENT CORPORATION AND SHALL NOT BE REPRODUCED OR COPIED OR USED IN WHOLE OR IN PART AS THE BASIS FOR THE MANUFACTURE OR SALE OF ITEMS WITHOUT WRITTEN PERMISSION. COPYRIGHT (C) 1981, DIGITAL EQUIPMENT CORPORATION *

LINE ITEM	DOCUMENT NUMBER	PART NUMBER	DESCRIPTION	QTY	PER VARIATION	REFERENCE DESIGNATOR
				00		
30	30		1312924-00	10.70 K .25 W 1.0 % RN55D-F10	1	R32
31	31		1309412-00	18.20 K .25 W 1.0 % RN55D-F10	1	R33
32	32		1315436-00	52.30 K .25 W 1.0 % RN55D-F10	1	R54
33	33		1304843-00	243.0 K .25 W 1.0 % RN55D-F10	1	R72
34	34		1315437-00	237.0 K .25 W .10% RN55D-F10	1	R38
35	35		1302378-00	51.0 .50 W 5.0 %	1	R51
36	36		1300364-00	1.0 K .50 W 5.0 %	2	R18,R48
37	37		1314068-00	360.0 1.0 W 5.0 %	1	R4
38	38		1300368-00	1.0 K 1.0 W 5.0 %	1	R8
39	39		1301494-00	200.0 2.0 W 5.0 %	1	R50
40	40		1313358-00	.20 5.0 W 3.0 %	2	R2,R52
41	41		1105796-00	1N 4004 PIV=400 I= 1A D041 SP	3	D1,D2,D5
42	42		1113953-00	1N 5523D VZ= 5.1 1%	8	D4,D6,D8,D9,D16,D18,D21,D22
43	43		1109990-00	1N 757A VZ= 9.1 5% .40W P	2	D23,D24
44	44		1110994-00	1N 751A VZ= 5.1 5% .40W	1	D14
45	45		1114117-00	1N 4152 PIV=40 I=75	6	D3,D7,D10,D11,D12,D13
46	46		1111577-00	1N 4454 TR= 4NS PIV= 50 S	6	D15,D17,D20,D25-D27
47	47		1513698-00	TRIAC@200V,I>14A	1	D19
48	48		9009597-00	INSULATOR, THERMA-FILM	1	
49	49		1513489-00	2N 4401 NPN 350MW SI 40 20	4	Q2,Q4,Q8,Q9
50	50		1513490-00	2N 4403 PNP 350MW SI-40 30	6	Q1,Q3,Q5-Q7,Q11
51	51		1511282-00	MJ2500 PNP 150WC SI 60 5 1K 5A	2	E4,E6
52	52		1511349-00	TIP 640 (OR MJ3000) NPN DARLINGT	1	E3
53	53		1911706-00	5012 ANALOG SWITCH,4CHNL	1	E8
54	54		1912818-00	LS38 NAND BUFFER-QUAD 2IN	1	E10
55	55		1912107-01	324ANDP AMP,QUAD	1	E7
56	56		1913695-00	7808 VOLT REG,FIX +8V	1	E9
57	57		1913694-00	7908 VOLT REG,FIX -8V	1	E5
58	58		9008419-00	WASHER, FLAT, THERMAFILM .002THK	5	
59	59		7418595-00	HEATSINK ASSEMBLY	1	
60	60		9008033-01	SCREW,PAN,PHIL 4-40X 9/16 SS	11	
61	61		9006557-00	NUT,KEP , 4-40X 1/4 AF	11	
62	62		9006655-00	WASHER, FLAT, .312 O.D. X .125 I	11	
63	63		9008268-00	COMPOUND, THERMAL JOINT	A/R	
64	64		1210824-00	THERMOSTAT,00215,C0156,SPST,NORM	1	S1
65	65		9008185-00	NUT,KEP , 6-32X1/4 AF	1	
66	66		9006653-00	WASHER, FLAT, .375 O.D. X .156 I	1	
67	67		1205747-00	FUSE, SUB-MINI, 5.000A, 125V, A	1	F1
68	68		9006735-00	EYELET, FUNNEL FLANGE, .059 OD X	6	TF13-TP18
69	69		9007791-00	TERM PCB 2POS SOLDER,TURRET	13	TF0-TP12
70	70		1213922-01	HEADER 3POS	1	J1
71	71		1213922-04	HEADER 6POS	1	J2
72	72		1213900-00	CONN,RCPT 6POS	1	J3
73	73		1209941-06	HEADER,100 20POS RT ANGLE	1	J4
74	74		1209941-04	HEADER RT ANGLE,RIGHT	1	
75	75		1209941-03	HEADER RT ANGLE LEFT L	1	
76	76		1305324-00	4.99 K .25 W 1.0 % RN55D-F10	2	R37,R30
77	77		1300250-00	150.0 .25 W 5.0 %	1	R42

D	I	G	I	T	A	L	TITLE	SECTION A OF A	SIZE	CODE	DOCUMENT NUMBER	REV
							D.C. SERVO AND POWER SUPPLY		K	PL	5413534-0-DBP	D

LINE ITEM	DOCUMENT NUMBER	PART NUMBER	DESCRIPTION	QTY PER VARIATION 00	REFERENCE DESIGNATOR
78	78	1312618-00	16.90 K .25 W 1.0 % RN55D-F10	1	R40
79	79	1300229-00	100.0 .25 W 5.0 % CC	1	R63
80	80	1305336-00	*** THIS ITEM IS NOT USED ***	-	
81	81	1309416-00	31.60 K .25 W 1.0 % RN55D-F10	1	R65
82	82	1002781-00	100 MFD 25V +75-10% AL EL	1	C20
83	83	9009185-00	JUMPER, WIRE, INSULATED, BLACK B	2	W1,W2
84	84	1303044-00	100.0 K .25 W 1.0 % RN55D-F10	1	R64
85	85	1015574-00	*** THIS ITEM IS NOT USED ***	-	
86	86	1315435-00	25.50 K .25 W 1.0 % RN55D-F10	1	R66
87	87	1312930-00	5.10 K .25 W 5.0 % CC	1	R67
88	88	1015520-00	1 MFD 100V 5% MET. MYLR	1	C19
89	89	1513697-00	2N 5640 FET N CHNNL	1	Q10
90	90	1300479-00	10.0 K .25 W 5.0 % CC	1	R69
91	91	1302466-00	100.0 K .25 W 5.0 % CC	1	R70
92	92	9105740-55	WIRE(WRAP)30AWG UL1423	A/R	
93	93	1017472-00	10 MFD 35V +50-10% AL EL	4	C4,C6,C13,C14
94	94	1016549-00	47 MFD 10V +50-10% AL EL	1	C2

D I G I T A L				TITLE	SECTION A OF A		SIZE	CODE	DOCUMENT NUMBER	REV
				D.C. SERVO AND POWER SUPPLY			K	PL	5413534-0-DBP	D

D
REV.

0-5413534
NUMBER

DD B
CODE SIZE

DRAWING NO.	NO. OF SHTS.	PART NO.	DESCRIPTION	REVISIONS																	
				A	B	C	D	E													
D-UA-5413534-0-0	2		D.C. SERVO AND POWER SUPPLY	A	B	C	D	E													
D-CS-5413534-0-1	2		D.C. SERVO AND POWER SUPPLY	A	B	C	D	E													
D-MD-5013533-0-0	4		DRILL & ETCH DRAWING	A	A	A	A	A													
		5013533	ETCHED BOARD	B	B	B	B	A													
K-PC-5413534-0-DBC	-		P.C. DESIGN DATA BASE	A	A	A	A	A													
K-PL-5413534-0-DBP	-		INSERTION PARTS LIST DATA BASE	A	B	B	C	D													
D-EG-5013533-0-0	2		ETCH CUT DRAWING	-	-	A	A	A													

RPM
33 MAY
RBM
6 NOV 80
85764

NOTES:

THIS DRAWING AND SPECIFICATIONS, HEREIN, ARE THE PROPERTY OF DIGITAL EQUIPMENT CORPORATION AND SHALL NOT BE REPRODUCED OR COPIED OR USED IN WHOLE OR IN PART AS THE BASIS FOR THE MANUFACTURE OR SALE OF ITEMS WITHOUT WRITTEN PERMISSION.

COPYRIGHT © 1978, DIGITAL EQUIPMENT CORPORATION



REVISIONS		REV.
DATE	CHG NO.	REV.
		*
7/10/78	5413534-2	A
10 APR 77	5413534-1	B
23 MAY 76	5413534-0	C
10 NOV 70	5413534-0	D
17 JUNE 68	5413534-0	

USED CN OPTION/MODEL: RL02

DRW: *M. Keith* 4/18/78

CHK'D: *H.K.* 4/18/78

ENG.: *Robert G. Mcguck* 8/11/78

PROD. P. CHURCH 9/27/78

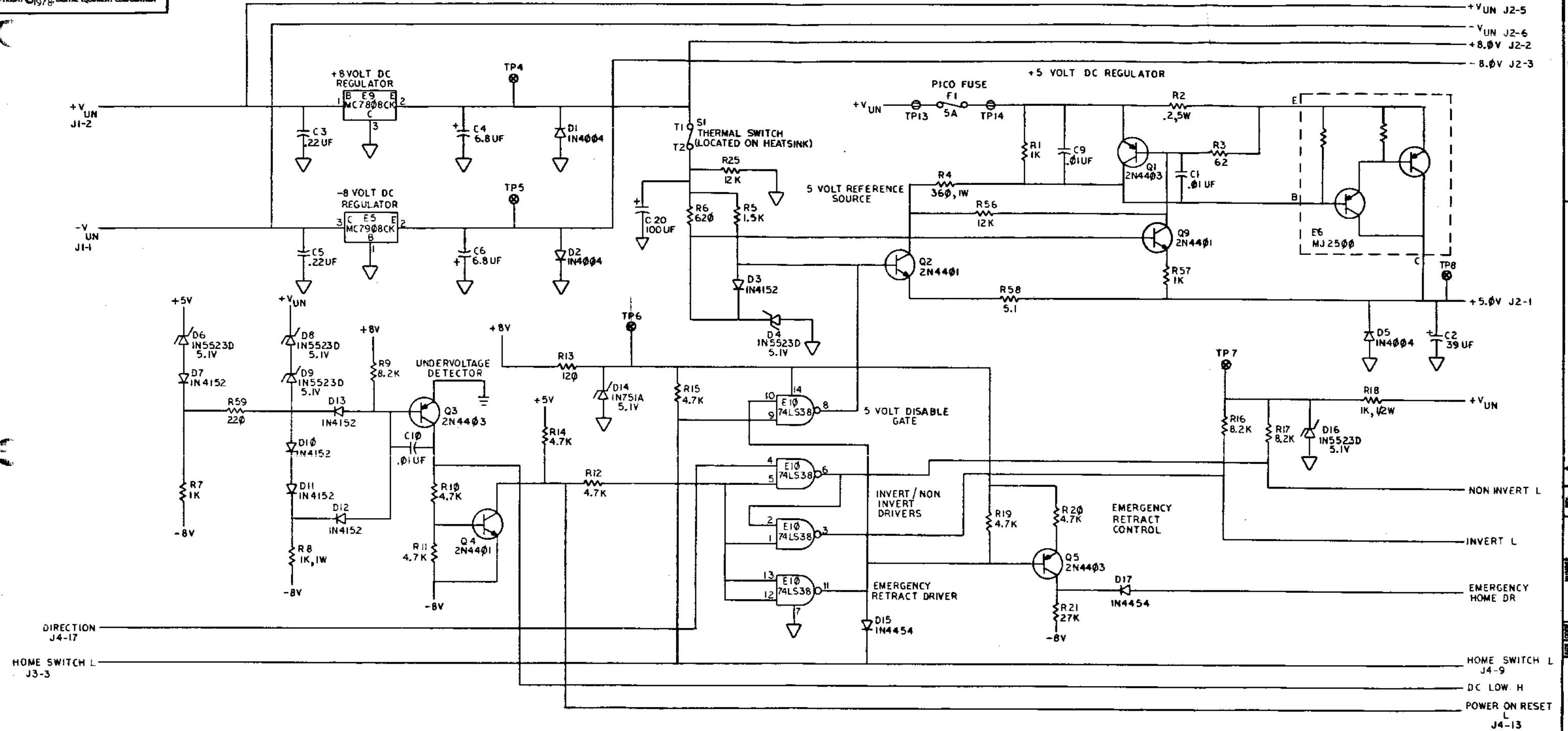
TITLE: D.C. SERVO AND POWER SUPPLY

SIZE: B CODE: DD NUMBER: 5413534-0 REV.: D

SHEET 1 OF 1

THIS DRAWING AND SPECIFICATIONS, HEREIN, ARE THE PROPERTY OF DIGITAL EQUIPMENT CORPORATION AND SHALL NOT BE REPRODUCED OR COPIED OR USED IN WHOLE OR IN PART AS THE BASIS FOR THE MANUFACTURE OR SALE OF ITEMS WITHOUT WRITTEN PERMISSION.
 COPYRIGHT © 1978, DIGITAL EQUIPMENT CORPORATION

CS5413534-0-1 2 1

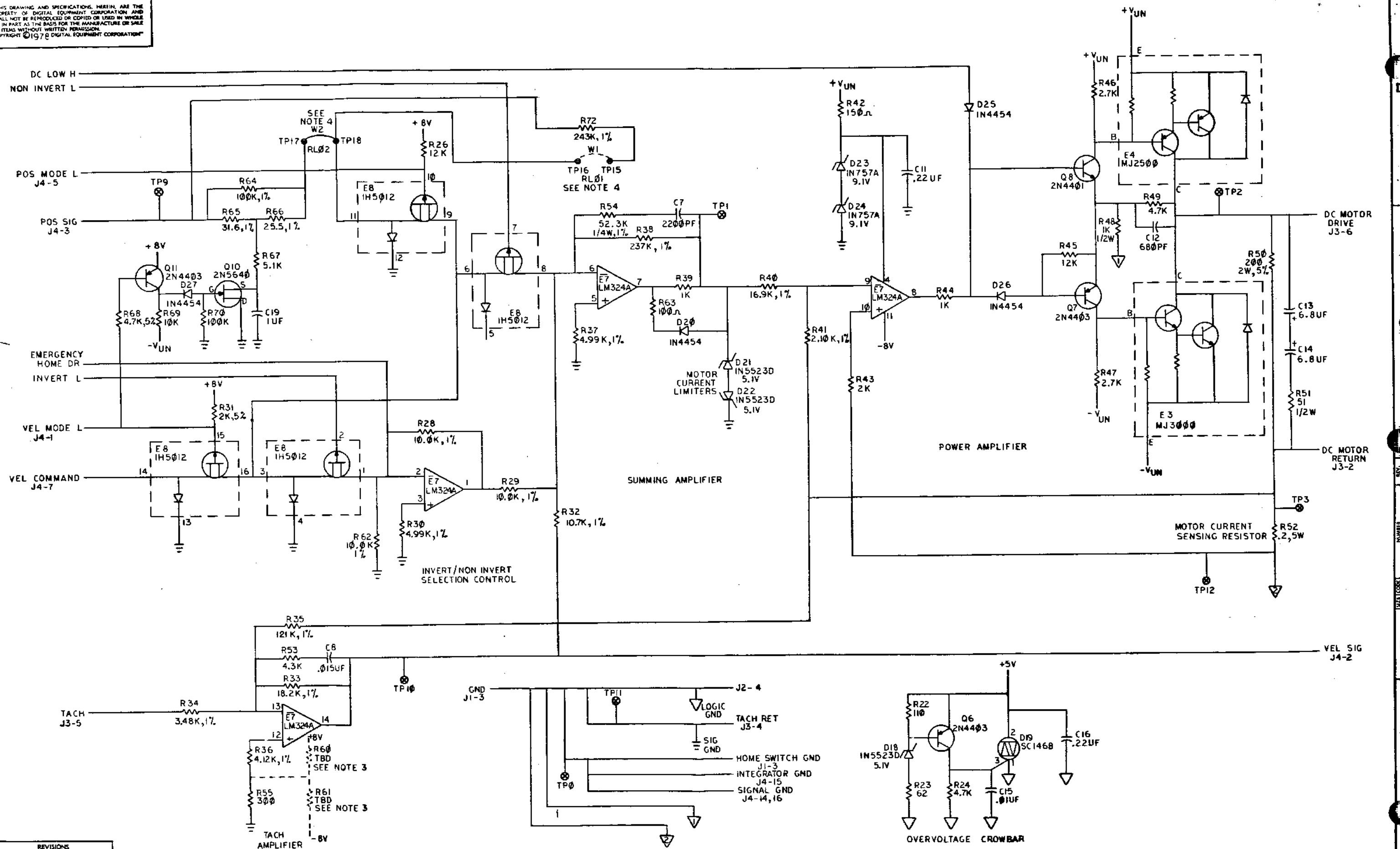


- NOTES:
- ALL RESISTORS TO BE 1/4W, 5%; UNLESS OTHERWISE SPECIFIED.
 - ~~E1 AND E2 ARE SPARES~~
 - VALUE OF R60 OR R61 WILL BE DETERMINED IN TESTING.
 - INSTALL W1 AND W2 FOR RL01 ON SIDE 2. INSTALL W2 ONLY FOR RL02 ON SIDE 2.

REV	DESCRIPTION	DATE	BY	CHKD
1	5413534-CX000	10/88	M. Zarich	M. Zarich
2	5413534-CX001	11/88	M. Zarich	M. Zarich
3	5413534-CX002	12/88	M. Zarich	M. Zarich
4	5413534-CX003	1/89	M. Zarich	M. Zarich

DESCRIPTION	DWG. PART NO.	ITEM NO.
UNLESS OTHERWISE SPECIFIED DIMENSIONS ARE IN INCHES		
ANGLES ±0° 30'	CLASS OF ACCURACY	NOMINAL DIMENSION RANGE INCHES
SURFACE QUALITY	CHECK ONE	OVER 0.2 TO 0.7
IN	MEDIUM	0.7 TO 1.2
	PREFERRED	1.2 TO 4.0
		4.0 TO 12.0
		12.0 TO 40.0
		40.0 TO 80.0
		80.0 TO 100.0
QUANTITY & VARIATION	MICROINCHES	±0.004 ±0.008 ±0.012 ±0.016 ±0.024 ±0.04
	PREFERRED	±0.012 ±0.016 ±0.025 ±0.04 ±0.08 ±0.1
THIRD ANGLE PROJECTION	DRN. R. H. L. 01/82	FIRST USED ON
REMOVE BURRS AND BREAK SHARP CORNERS	CHK'D	TITLE
DO NOT SCALE DWG	ENG. J. J. 1/82	DC SERVO AND POWER SUPPLY
MATERIAL	PROJ. ENG. J. J. 1/82	REV. D
FINISH	PROD. J. J. 1/82	NUMBER CS5413534-0-1
	DO NOT SCALE DWG	SCALE D
		SHEET 1 OF 2
		DIST.

THIS DRAWING AND SPECIFICATIONS, HEREIN, ARE THE PROPERTY OF DIGITAL EQUIPMENT CORPORATION AND SHALL NOT BE REPRODUCED OR COPIED OR USED IN WHOLE OR IN PART AS THE BASIS FOR THE MANUFACTURE OR SALE OF ITEMS WITHOUT WRITTEN PERMISSION. COPYRIGHT © 1978 DIGITAL EQUIPMENT CORPORATION



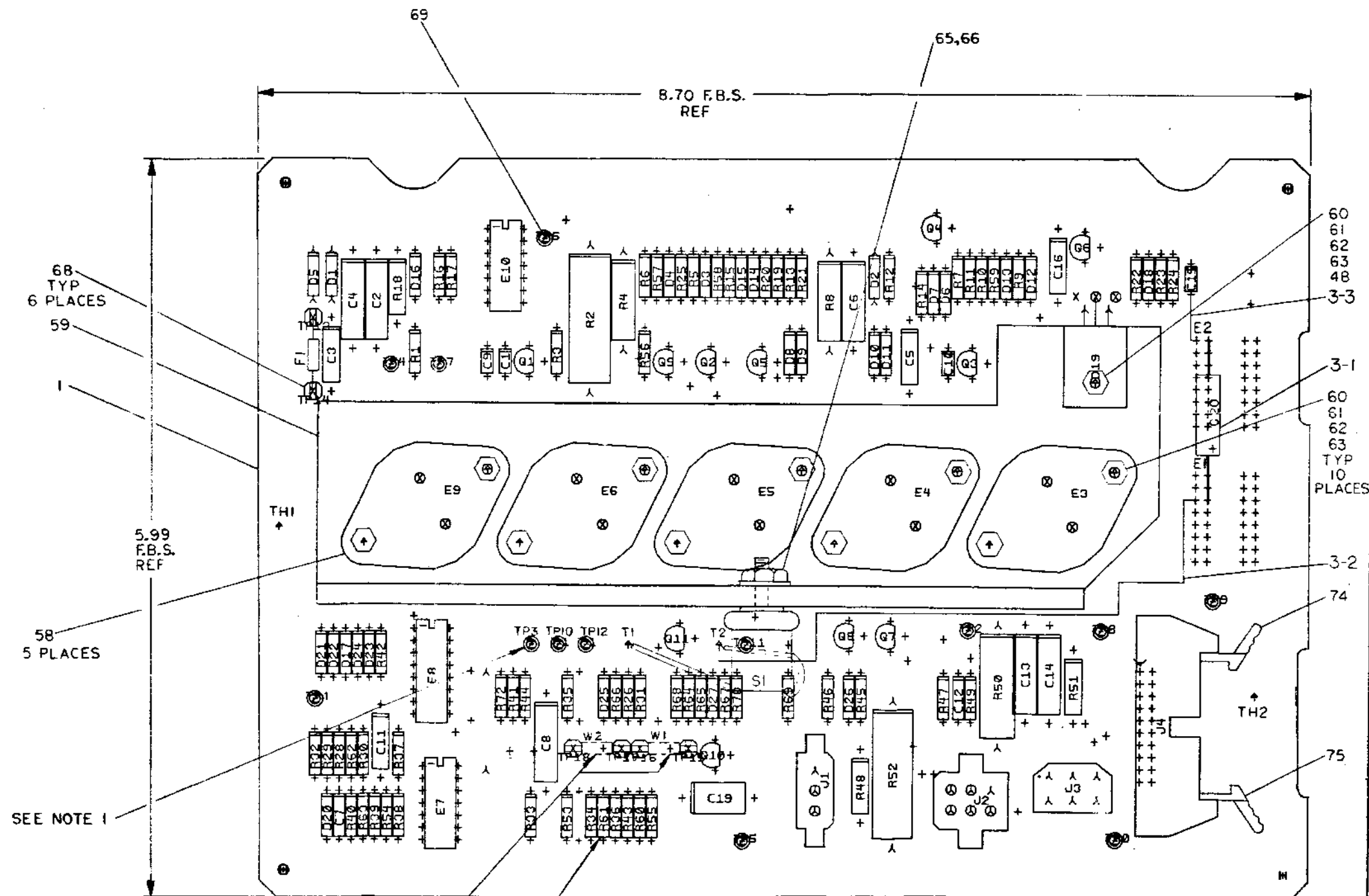
REVISIONS		
CHK	CHANGE NO.	REV.

TITLE	DC SERVO AND POWER SUPPLY	SIZE CODE	D	NUMBER	CS 5413534-0-1	REV.	D
SCALE		SHEET	2	OF	2	DIST.	

DCS 5413534-0-1 D

THIS DRAWING AND SPECIFICATIONS, HEREIN, ARE THE PROPERTY OF DIGITAL EQUIPMENT CORPORATION AND SHALL NOT BE REPRODUCED OR COPIED OR USED IN WHOLE OR IN PART AS THE BASIS FOR THE MANUFACTURE OR SALE OF ITEMS WITHOUT WRITTEN PERMISSION.
 COPYRIGHT © 1976 DIGITAL EQUIPMENT CORPORATION

COMPONENT SIDE VIEW



- NOTES:
1. TP3, TP11, TP12 & TP15 THRU TP18 TO BE MOUNTED ON SIDE 2.
 2. R60 AND R61 ARE TO BE INSTALLED AFTER FINAL TEST.
 3. INSTALL W1 AND W2 FOR PL01. INSTALL W2 ONLY FOR PL22. W1 & W2 ARE LOCATED ON SIDE 2.
 4. CS REV TO BE MARKED ON SIDE TWO (2).

CHG	NO	REV	A	B	C	D	E
5413534	001	1	ROB	NYGUCHI			
5413534	001	2	DR	NYGUCHI			
5413534	001	3	DR	NYGUCHI			
5413534	001	4	DR	NYGUCHI			
5413534	001	5	DR	NYGUCHI			
5413534	001	6	DR	NYGUCHI			
5413534	001	7	DR	NYGUCHI			
5413534	001	8	DR	NYGUCHI			
5413534	001	9	DR	NYGUCHI			
5413534	001	10	DR	NYGUCHI			

SEE NOTE 3
 SEE NOTE 2

ETCH REV. E
P.C. DESIGN DATA BASE REV. E1

SIGNATURES		DATE	digital
DRN. <i>[Signature]</i>	CHK'D. <i>[Signature]</i>	6/15/76	
ENG. <i>[Signature]</i>	PROD. <i>[Signature]</i>	6/22/76	
SCALE 2/1	SHT. 1 OF 2	NEXT HIGHER ASSY. B-CJ-5413534-2	TITLE DC SERVO & POWER SUPPLY
SIZE CODE D UA	NUMBER 5413534-0-0	REV E	

8
E 0-0-48581HS AND 3000 3218 6 5 4 3 2 1
THIS DRAWING AND SPECIFICATIONS HEREBY ARE THE PROPERTY OF DIGITAL EQUIPMENT CORPORATION AND SHALL NOT BE REPRODUCED OR COPIED OR USED IN WHOLE OR IN PART AS THE BASIS FOR THE MANUFACTURE OR SALE OF ITEMS WITHOUT WRITTEN PERMISSION
COPYRIGHT © 1980 DIGITAL EQUIPMENT CORPORATION

REWORK INSTRUCTIONS:

ECO 5413534-CX003

COMPONENT ADDS SIDE 1:

3-1 ADD POLARIZED SIDE OF C20 (1002781-00)
AT E1-3 AND THE GND SIDE AT E2-1.

WIRE ADDS SIDE 1:

3-2 ADD WIRE FROM THE PTH NEXT TO
E1-3 TO T2.

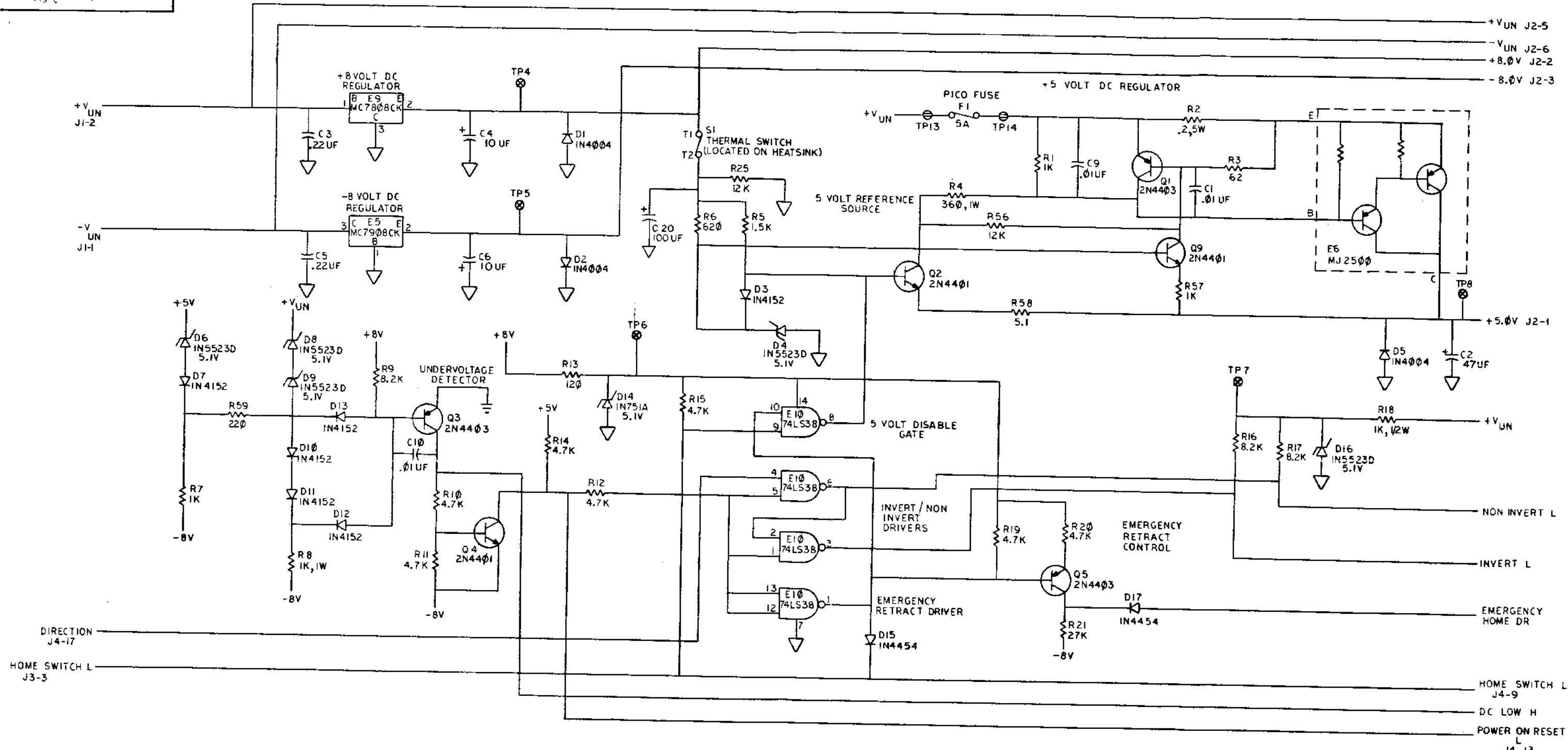
3-3 ADD WIRE FROM THE PTH NEXT TO
E2-1 TO C15 GND (BOTTOM).

REVISION HISTORY		
DATE	ECO NUMBER	REV.

TITLE
DC SERVO AND
POWER SUPPLY

DOCUMENT NUMBER			
SIZE	CODE	NUMBER	REV.
D	UA	5413534-0-0	E
SCALE ---			SHEET 2 OF 2

THIS DRAWING AND SPECIFICATIONS HEREIN ARE THE PROPERTY OF DIGITAL EQUIPMENT CORPORATION AND SHALL NOT BE REPRODUCED OR COPIED OR USED IN WHOLE OR IN PART AS THE BASIS FOR THE MANUFACTURE OR SALE OF ITEMS WITHOUT WRITTEN PERMISSION. COPYRIGHT © 1970 D. DIGITAL EQUIPMENT CORPORATION

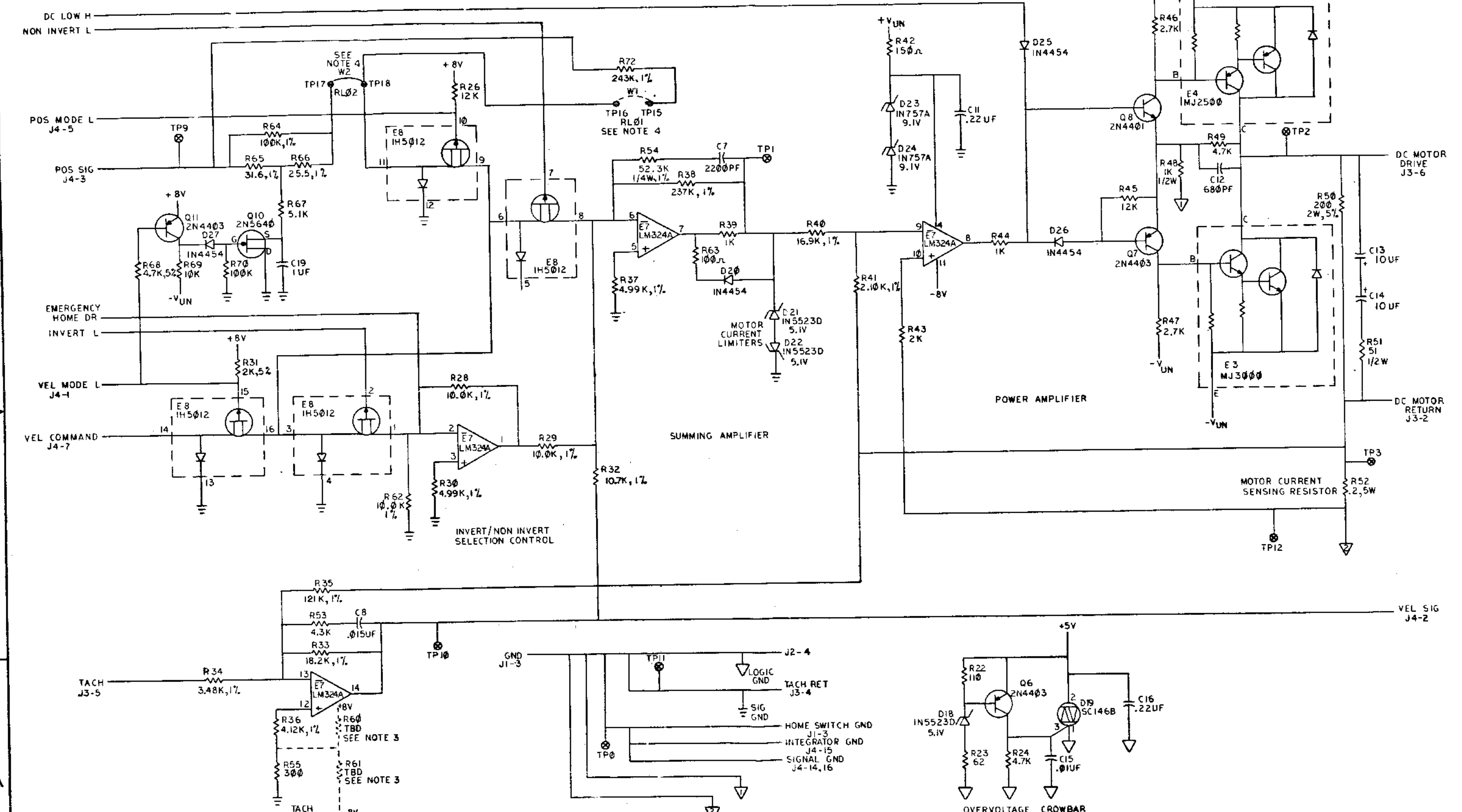


- NOTES:
- ALL RESISTORS TO BE 1/4W, 5%; UNLESS OTHERWISE SPECIFIED.
 - E1 AND E2 ARE SPARES.
 - VALUE OF R60 OR R61 WILL BE DETERMINED IN TESTING.
 - INSTALL W1 AND W2 FOR RL01 ON SIDE 2. INSTALL W2 ONLY FOR RL02 ON SIDE 2.

REV.	CHANGE NO.	DESCRIPTION
A	1	INITIAL DESIGN
B	2	REVISIONS
C	3	REVISIONS
D	4	REVISIONS
E	5	REVISIONS

DESCRIPTION	DWG. PART NO.	ITER. NO.
UNLESS OTHERWISE SPECIFIED DIMENSIONS ARE IN INCHES		
ANGLES ±0°30'	CLASS OF ACCURACY	
SURFACE QUALITY IN		
MICROINCHES		
PREFERRED		
DRN: R. J. ...	FIRST USED ON	
CHK'D	digital	
ENG	TITLE	
PROJ. ENG.	DC SERVO AND POWER SUPPLY	
PROD.	NEXT HIGHER ASSY.	
MATERIAL	D-JA-5413534-0-0	SIZE CODE
FINISH	SCALE	NUMBER
	SHEET 1 OF 2	DIST

THIS DRAWING AND SPECIFICATIONS, HEREIN, ARE THE PROPERTY OF DIGITAL EQUIPMENT CORPORATION AND SHALL NOT BE REPRODUCED OR COPIED OR USED IN WHOLE OR IN PART AS THE BASIS FOR THE MANUFACTURE OR SALE OF ITEMS WITHOUT WRITTEN PERMISSION. COPYRIGHT © 1978 DIGITAL EQUIPMENT CORPORATION

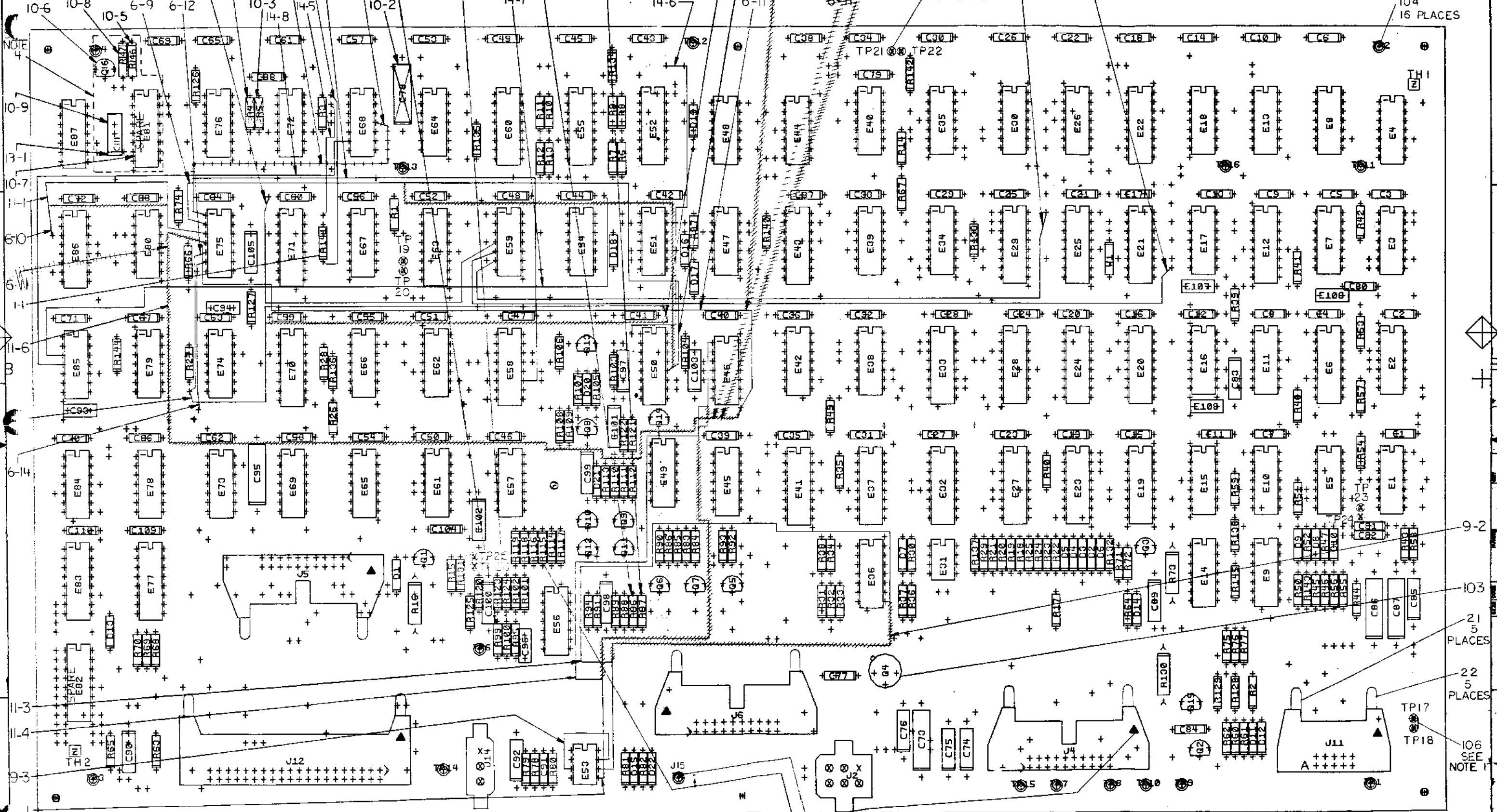


REVISIONS		
CHK	CHANGE NO.	REV.

TITLE	DC SERVO AND POWER SUPPLY	SIZE CODE	D	NUMBER	CS 5413534-0-1	REV.	E
SCALE	SHEET 2 OF 2		DIST.				

REV. NUMBER CS 5413534-0-1

THIS DRAWING AND SPECIFICATIONS HEREBY ARE THE PROPERTY OF DIGITAL EQUIPMENT CORPORATION AND SHALL NOT BE REPRODUCED OR COPIED IN WHOLE OR IN PART WITHOUT THE WRITTEN PERMISSION OF DIGITAL EQUIPMENT CORPORATION.



- NOTES:
- INSTALL ITEM 106 AFTER TEST (SEE WREN TP17 & TP18 ONLY).
 - VALUE OF ITEM 2 TO BE DETERMINED AT NEXT HIGHER ASSEMBLY.
 - STAMP ORIENTATION TRIANGLES ON CONNECTORS AS SHOWN WITH THIS DRAWING.

CHK	CHANGE NO	REV
5414025	B	1
CX001	M. BROWN	
5414025	C	1
CX003	M. ZARICH	
5414025	D	1
CX005	M. BROWN	
5414025	E	1
CX006	M. BROWN	
5414025	F	1
CX008	M. BROWN	
5414025	H	1
CX009	M. ZARICH	
5414025	J	1
CX010	M. BROWN	
5414025	L	1
CX014	M. ZARICH	
5414025	L2	1
CX014	M. ZARICH	

SEE NOTE 3
3-1
3-2
SEE NOTE 2

ETCH REV. B
P.C. DESIGN DATA BASE REV. PL

SIGNATURES		DATE	digital
DRN. C. [Signature]	CHK'D. [Signature]	4/2/79	
ENC. [Signature]			TITLE
PROJ. ENG. [Signature]			DRIVE LOGIC
PROJ. [Signature]			SCALE 2/1
SHT. 1 OF 2			SIZE CODE
NEXT HIGHER ASSY. P-DD-5414025-2			NUMBER
			REV
			UA 5414025-0-0 LI

THIS DRAWING AND SPECIFICATIONS HEREIN ARE THE PROPERTY OF DIGITAL EQUIPMENT CORPORATION AND SHALL NOT BE REPRODUCED OR COPIED OR USED IN WHOLE OR IN PART AS THE BASIS FOR THE MANUFACTURE OR SALE OF ITEMS WITHOUT WRITTEN PERMISSION.
 COPYRIGHT © 1979 DIGITAL EQUIPMENT CORPORATION

NOTES: CONT.

4 THESE COMPONENTS MAY OR MAY NOT APPEAR DEPENDING UPON THE ORIGINAL CS REV BEFORE INSTALLING ECO 5414025-CX014.

ECO# 5414025-CX001

COMPONENT DELETE:
 1-1 REMOVE R141

ECO# 5414025-CX003

COMPONENT DELETE:
 3-1 REMOVE TP5
 COMPONENT ADD:
 3-2 ADD J15, ITEM 109 AT PTH FOR TP5

ECO# 5414025-CX005

COMPONENT DELETES:
 5-1 R96,(365K).
 5-2 R97,(30.1K).
 5-3 R99,(365K).
 5-4 R100,(30.1K).
 COMPONENT ADDS:
 5-5 R96,(3.65K).
 5-6 R97,(30I).
 5-7 R99,(3.65K).
 5-8 R100,(30I).

ECO# 5414025-CX006

ETCH CUTS:
 6-1 }
 6-2 } SEE D-EC-5014024-0-0
 6-3 }
 6-4 }

WIRE ADDS SIDE 1:
 6-5 FROM E59-4 TO E71-2 (PTH TO THE LEFT OF C60).
 6-6 FROM E59-5 TO E21-7 (PTH TO THE RIGHT OF E21-10).
 6-7 FROM E59-6 TO E25-1 (PTH TO THE LEFT OF E25-1).
 6-8 FROM E75-1 TO E68-11.
 6-9 FROM E75-2 TO E50-12.
 6-10 FROM E75-3 TO PTH TO THE LEFT OF E86-3.
 6-11 FROM E75-4 TO PTH BELOW E46-8.
 6-12 FROM E75-5 TO PTH BELOW R27.
 6-13 FROM PTH BELOW R27 TO PTH TO THE UPPER RIGHT OF C41.
 6-14 FROM E75-6 TO E73-1 (PTH ALONG ETCH ABOVE E73-1).

ECO# 5414025-CX008

WIRE DELETE:
 8-1 E68-11 TO E75-1.
 WIRE ADD:
 8-2 E75-1 TO E58-11.

ECO# 5414025-CX009

WIRE ADDS:
 9-1 E46 PIN 1 TO E53 PIN 5.
 9-2 E36 PIN 8 TO E53 PIN 6.
 9-3 E53 PIN 7 TO E53 PIN 3.

ECO# 5414025-CX010A

COMPONENT DELETES:
 10-2 REMOVE C78 (1000076-00)
 10-3 REMOVE R5 (1300365-00)
 10-4 REMOVE R4 (1300447-00)
 COMPONENT ADDS:
 10-5 ADD R146 (1302391-00)
 10-6 ADD Q16 (1513489-00)
 10-7 ADD E81 (1912837-00)
 10-8 ADD R147 (1305608-00)
 10-9 ADD C111 (1005334-00)

ECO# 5414025-CX011

REROUTING INSTRUCTIONS:
 11-1 REROUTE WIRE 6-10 (E75-3 TO PTH TO THE LEFT OF E86-3).
 11-2 REROUTE WIRE 6-9 (E75-2 TO E50-12).
 11-3 REROUTE WIRE 9-2 (E36-8 TO E53-6).
 11-4 REROUTE WIRE 9-1 (E46-1 TO E53-5).
 11-5 REROUTE WIRE 6-13 (FROM PTH BELOW R27 TO PTH TO THE UPPER RIGHT OF C41).

WIRE DELETES:
 11-6 DELETE THE OPTIONAL ROUTING OF WIRE (6-11).

ECO# 5414025-CX013

COMPONENT ADD:
 13-1 REMOVE C111 (1005334-00)
 ROTATE 180° AND REPLACE.

ECO# 5414025-CX014

WIRE ADDS:
 14-4 ADD WIRE FROM THE FEED THRU TO THE LEFT OF E68-1 TO THE FEED THRU TO THE LEFT OF E67-6.
 14-5 ADD WIRE FROM THE FEED THRU TO THE LEFT OF E68-2 TO THE FEED THRU TO THE RIGHT OF E71-16.
 14-6 ADD WIRE FROM THE FEED THRU DIRECTLY ABOVE E52-16 TO THE FEED THRU TO THE LEFT OF E50-1.
 14-7 ADD WIRE FROM THE FEED THRU GOING TO E54-12 ABOVE E54 TO E85-3.
 14-8 ADD WIRE FROM E85-4 TO E68-6.

REVISION HISTORY		
DATE	ECO NUMBER	REV

DOCUMENT NUMBER		
SIZE CODE	NUMBER	REV
DUA	5414025-0-0	LI
SCALE	NONE	SHEET 2 OF 2

TITLE DRIVE LOGIC

LINE ITEM	DOCUMENT NUMBER	PART NUMBER	DESCRIPTION	QTY PER VARIATION	REFERENCE DESIGNATOR
1	D-MD-5014024-0-0	5014024-00	DRILL AND ETCH BRD	1	
2	ENS		RESISTOR,FINAL TEST, 1/4W, 1%	4	R115,R116,R118,R119
3		1000023-00	330.0 MMF 100V 5%200PPM MICA	4	C93,C106-C108
4		1000024-00	470.0 MMF 100V 5%200PPM MICA	1	C94
5		1000064-00	3.9MFD 10V 10% S.TANT	2	C76,C85
6		1000076-00	39 MFD 10V 10% S.TANT	3	C73,C86,C95
7		1001610-00	.01 MFD 50V +30-20% 25U CER	74	C1-C6,C8-C39,C40-C45,C47-C49, C51-C53,C55-C68,C70,C71,C77, C79-C82,C84,C88,C104
8		1001774-00	1 MFD 35V 10% S.TANT	4	C74,C75,C92,C97
9		1004812-00	15 MFD 20V 10% S.TANT	1	C87
10		1005784-00	.01 MFD 100V 10% MYLR	1	C101
11		1010978-32	.047 MFD 50V 10% CER	1	C96
12		1013466-07	220.0 MMF 50V 5% CER	1	C91
13		1013466-08	680.0 MMF 50V 10% X7R CER	2	C89,C90
14		1013466-09	1000.0 MMF 50V 10% X7R CER	1	C83
15		1013466-10	3300.0 MMF 50V 5% CER	4	C98,C100,C103,C105
16		1013466-11	.22 MFD 50V +80-20% Z5U CER	2	C99,C102
17		111577-00	1N 4454 TR= 4NS PIV= 50 S	16	D1,D7-D20,D22
18		1113953-00	1N 5523D VZ= 5.1 1%	1	D21
19		1114117-00	1N 4152 PIV=40 I=75	5	D2-D6
20		1209941-02	HEADER 100 40POS RT ANGLE	1	J12
21		1209941-03	HEADER RT ANGLE LEFT L	5	
22		1209941-04	HEADER RT ANGLE,RIGHT	5	
23		1209941-05	HEADER.100 10POS RT ANGLE	1	J11
24		1209941-06	HEADER.100 20POS RT ANGLE	3	J4-J6
25		1210385-01	PIN 1POS WIRE WRAP	10	TP17-TP26
26		1213922-02	HEADER 3POS	1	J14
27		1213922-04	HEADER 6POS	1	J2
28		1300229-00	100.0 .25 W 5.0 % CC	5	R48,R133-R136

REVISION HISTORY		BASIC PART NO: 5414025		DRN:	ART SIMM	DATE: 18-APR-79	DIGITAL		
ENG	ECD NUMBER	REV	SECTION A OF A	CHK'D:	P. KENDRICK	DATE: 18-APR-79	PARTS LIST		
	INITIAL	A	SECTION VARIATION INDEX				DRIVE LOGIC		
MB	5414025-CX001	B	[A] 00				DOCUMENT NUMBER		
MB	5414025-CX002	C	[B]				SIZE CODE NUMBER REV		
MZ	5414025-CX003	D	[C]	DES.ENG:	MIKE BROWN	DATE: 18-APR-79	K PL 5414025-0-DBP H		
MB	5414025-CX005	E	[D]	RESP.ENG.:	MIKE BROWN	DATE: 18-APR-79	TOP DOCUMENT NUMBER: FILE NAME: EDIT #		
MB	5414025-CX010A	F	[E]				D-UA-5414025-0-C #RL02 Z0496H,PLS 31		
MZ	5414025-CX014	H	[F]	IMFG.ENG.:	D. LICK	DATE: 18-APR-79			
			[G]						
			[H]						
			[I]						
			[J]						
			[K]						
			[L]						
			[M]						
			[N]						

*THIS DRAWING AND SPECIFICATIONS HEREIN, ARE THE PROPERTY OF DIGITAL EQUIPMENT CORPORATION AND SHALL NOT BE REPRODUCED OR COPIED OR USED IN WHOLE OR IN PART AS THE BASIS FOR THE MANUFACTURE OR SALE OF ITEMS WITHOUT WRITTEN PERMISSION. COPYRIGHT (C) 1981, DIGITAL EQUIPMENT CORPORATION *

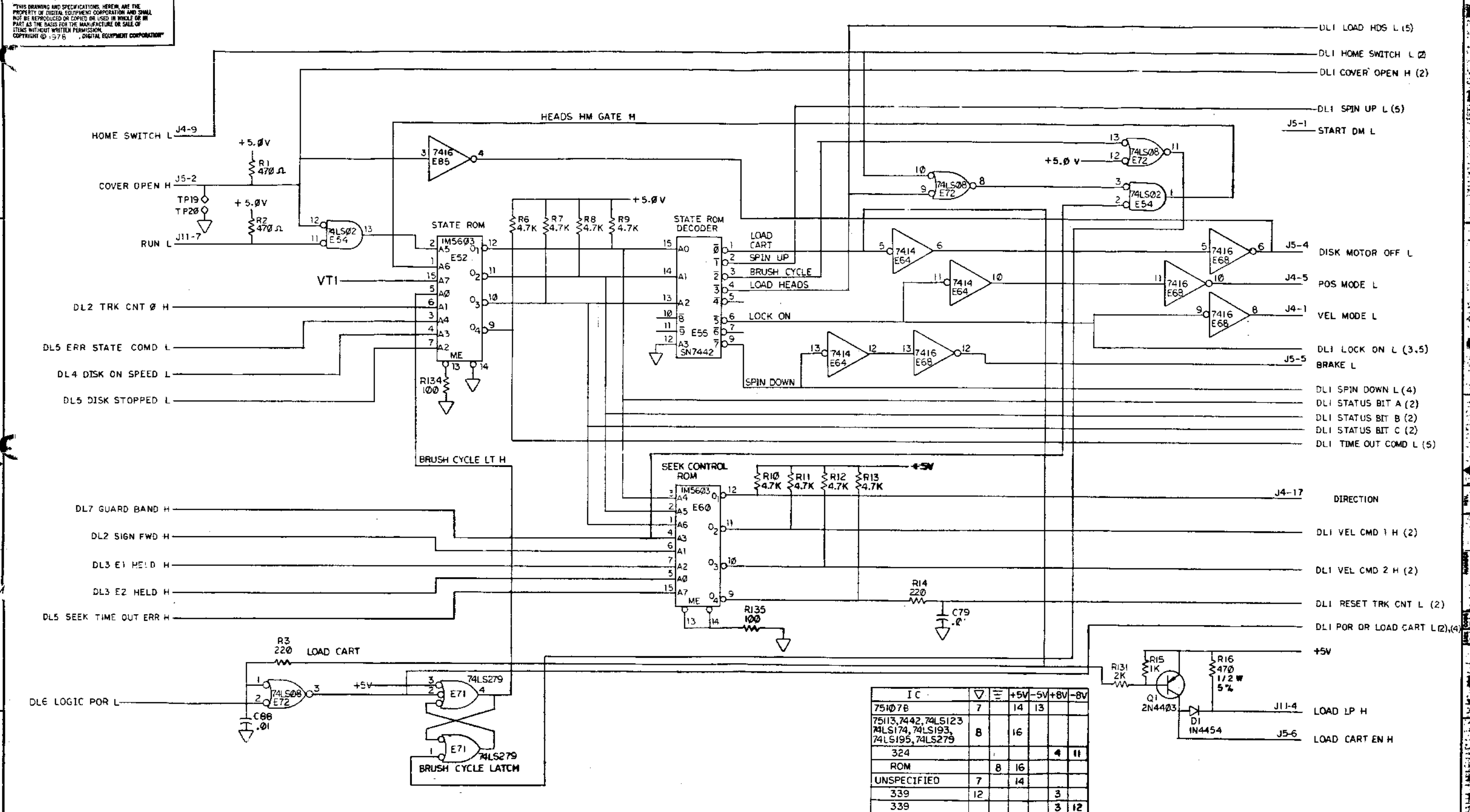
LINE ITEM	DOCUMENT NUMBER	PART NUMBER	DESCRIPTION	QTY PER VARIATION	REFERENCE DESIGNATOR
29		1300271-00	220.0 .25 W 5.0 % CC	4	R3,R14,R41,R143
30		1300315-00	470.0 .50 W 5.0 % CC	3	R16,R73,R130
31		1300316-00	470.0 .25 W 5.0 % CC	4	R1,R2,R79,R142
32		1300365-00	1.0 K .25 W 5.0 % CC	15	R15,R39,R40,R42,R47,R52,R54,R56, R61,R72,R74,R101,R106,R129,R140
33		1300411-00	2.0 K .25 W 1.0 % RN55D-F10	1	R144
34		1300439-00	3.30 K .25 W 5.0 % CC	3	R93,R124,R126
35		1300447-00	4.70 K .25 W 5.0 % CC	35	R6-R13,R26-R28,R34,R35,R38,R43, R44,R49,R53,R57,R58,R62,R75-R78, R80,R82,R92,R102,R105,R123,R125, R127,R138,R145
36		1300479-00	10.0 K .25 W 5.0 % CC	2	R70,R107
37		1302388-00	2.0 K .25 W 5.0 % CC	13	R18-R21,R45,R50,R66,R67,R71,R87, R122,R128,R131
38		1302391-00	20.0 K .25 W 5.0 % CC	1	R59
39		1302394-00	30.0 K .25 W 5.0 % CC	1	R95
40		1302398-00	470.0 K .25 W 5.0 % CC	1	R55
41		1302466-00	100.0 K .25 W 5.0 % CC	1	R121
42		1302514-00	39.0 K .25 W 5.0 % CC	2	R91,R120
43		1302666-00	10.0 M .25 W 5.0 % CC	1	R94
44		1302871-00	1.21 K .25 W 1.0 % RN55D-F10	1	R88
45		1303044-00	100.0 K .25 W 1.0 % RN55D-F10	1	R25
46		1303047-00	464.0 .25 W 1.0 % RN55D-F10	5	R64,R65,R83,R85,R113
47		1303114-00	1.0 K .25 W 1.0 % RN55D-F10	2	R89,R117
48		1303312-00	10.0 K .25 W 1.0 % RN55D-F10	7	R17,R29-R31,R36,R60,R63
49		1304693-00	562.0 .25 W 1.0 % RN55D-F10	1	R108
50		1304841-00	75.0 K .25 W 5.0 % CC	1	R81
51		1304862-00	1.62 K .25 W 1.0 % RN55D-F10	1	R110
52		1304870-00	6.81 K .25 W 1.0 % RN55D-F10	1	R33
53		1305124-00	287.0 .25 W 1.0 % RN55D-F10	2	R84,R86
54		1305265-00	39.20 K .25 W 1.0 % RN55D-F10	1	R24
55		1305337-00	3.65 K .25 W 1.0 % RN55D-F10	2	R96,R99
56		1305405-00	24.90 K .25 W 1.0 % RN55D-F10	1	R23
57		1309595-00	1.0 M .25 W 5.0 % CC	3	R44,R51,R132
58		1310632-00	2.37 K .25 W 1.0 % RN55D-F10	1	R109
59		1317303-00	301.0 .25 W 1.0 % RN55D-F10	2	R97,R100
60		1312929-00	62.0 .25 W 5.0 % CC	2	R111,R112
61		1312930-00	5.10 K .25 W 5.0 % CC	3	R68,R69,R137
62		1312989-00	17.80 K .25 W 1.0 % RN55D-F10	3	R22,R103,R104
63		1313589-00	1.40 K .25 W 1.0 % RN55D-F10	1	R90
64		1313846-00	2.26 K .25 W 1.0 % RN55D-F10	1	R32
65		1314041-00	3.01 K .25 W 1.0 % RN55D-F10	1	R37
66		1314491-00	1.02 K .25 W 1.0 % RN55D-F10	1	R114
67		1513489-00	2N 4401 NPN 350MW SI 40 20	3	Q7,Q10,Q12
68		1513490-00	2N 4403 PNP 350MW SI-40 30	10	Q1-Q3,Q5,Q6,Q8,Q9,Q11,Q13,Q15
69		1513697-00	2N 5640 FET N CHNNL	1	Q14
70		1909928-00	7416 INVERTER GATE-HEX 11	4	E9,E10,E68,E85
71		1910046-00	7442 DECODER-1 OF 10,BCD	1	E55

D	I	G	I	T	A	L	TITLE	SECTION A OF A	SIZE CODE	DOCUMENT NUMBER	REV
							DRIVE LOGIC		K PL	5414025-0-DBP	H

LINE ITEM	DOCUMENT NUMBER	PART NUMBER	DESCRIPTION	QTY PER VARIATION	REFERENCE DESIGNATOR
				00	
72	72	1910268-00	DEC 75107B RECEIVER,LINE,DUAL,	4	E57,E61,E65,E87
73	73	1910298-00	741 OP AMP GEN PURP. COM	1	E31
74	74	1910363-00	7496 SHIFT REG.,5BIT	1	E63
75	75	1910536-00	74S10 NAND GATE-TRIPLE 3IN	1	E45
76	76	1910655-00	74157 MUX 2 TO 1 QUAD	2	E23,E24
77	77	1911341-00	75113 DRIVER,LINE,DUAL,MA	3	E77,E83,E86
78	78	1912107-01	324ANOP AMP,QUAD	1	E49
79	79	1912108-00	339 VOLT CMPRTR,QUAD	3	E5,E36,E56
80	80	1912541-00	79M05 VOLT REG,FIX -5V	1	Q4
81	81	1912697-00	LS174 FF-D HEX W/CLEAR	2	E37,E41
82	82	1912799-00	LS00 NAND-GATE-QUAD 2IN,P	4	E7,E15,E44,E67
83	83	1912801-00	LS02 NOR-GATE-QUAD 2IN	4	E1,E30,E39,E54
84	84	1912803-00	6S04 INVERTER GATE,HEL	2	E79,E80
85	85	1912805-00	LS08 AND GATE-QUAD 2IN,PD	6	E14,E34,E38,E69,E72,E76
86	86	1912807-00	LS10 NAND GATE-TRIPLE 3IN	1	E18
87	87	1912810-00	LS20 NAND GATE-DUAL 4IN	1	E2
88	88	1912813-00	LS27 NOR GATE-TRIPLE 3IN	1	E73
89	89	1912816-00	LS32 OR GATE-QUAD 2IN,POS	4	E17,E35,E59,E84
90	90	1912824-00	LS74 FF-D DUAL,EDGE TRIGG	9	E3,E11,E16,E26,E42,E46,E47,E62,
					CONT
					E75
91	91	1912829-00	LS86 X-OR GATE-QUAD 2IN	3	E51,E66,E78
92	92	1912837-00	LS123 ONE SHOT-DUAL,RETRIG	1	E50
93	93	1912854-00	LS193 COUNTER,SYNCHR,4BIT,	3	E27,E28,E43
94	94	1912855-00	LS195 SHIFT REG.,4BIT PARA	5	E19-E22,E25
95	95	1912857-00	LS197 COUNTER,BINARY,PRESET	4	E4,E8,E13,E74
96	96	1912864-00	LS279 LATCH,QUAD-S-R	6	E6,E12,E29,E33,E58,E71
97	97	1913414-00	LS14 INVERTER GATE-HEX SC	2	E40,E48
98	98	1914156-00	LM 393 VOLT,COMPARATOR DUAL	1	E53
99	99	23368A2-00	A2-02,A2-04	1	E52
100	100	23371A2-00	A2-02,A2-04	1	E60
101	101	23444A2-00	A2-02,A2-04	1	E70
102	102	23445A2-00	A2-02,A2-04	1	E32
103	103	9007201-00	TRANSIPADS #10253	1	
104	104	9007791-00	TERM PCB 2POS SOLDER,TURRET	15	TP1-TP4,TP6-TP16
105	105	9009185-00	JUMPER, WIRE, INSULATED, BLACK R	1	W1
106	106	9105740-55	WIRE(WRAP)30AWG UL1423	A/R	
107	107	1012784-00	.047 MFD 50V +80-20% CER	8	C7,C46,C50,C54,C69,C72,C109,C110
108	108	1911324-00	7414 INVERTER,HEX 1IN SCH	1	E64
109	109	1217377-00	TERM QUICK 1POS TAB FC MNT	1	J15
110	110	1005334-00	*** THIS ITEM IS NOT USED ***	-	
111	111	1305608-00	*** THIS ITEM IS NOT USED ***	-	

D I G I T A L				TITLE	SECTION A OF A		SIZE	CODE	DOCUMENT NUMBER	REV
				DRIVE LOGIC			K	PL	5414025-0-DBP	H

THIS DRAWING AND SPECIFICATIONS, HEREIN, ARE THE PROPERTY OF DIGITAL EQUIPMENT CORPORATION AND SHALL NOT BE REPRODUCED OR COPIED OR USED IN WHOLE OR IN PART AS THE BASIS FOR THE MANUFACTURE OR SALE OF ITEMS WITHOUT WRITTEN PERMISSION. COPYRIGHT © 1978, DIGITAL EQUIPMENT CORPORATION.



IC	Q	V	+5V	-5V	+8V	-8V
75107B	7		14	13		
75113, 7442, 74LS123, 74LS174, 74LS193, 74LS195, 74LS279	8		16			
324					4	11
ROM		8	16			
UNSPECIFIED	7		14			
339	12				3	
339					3	12
339		12			3	

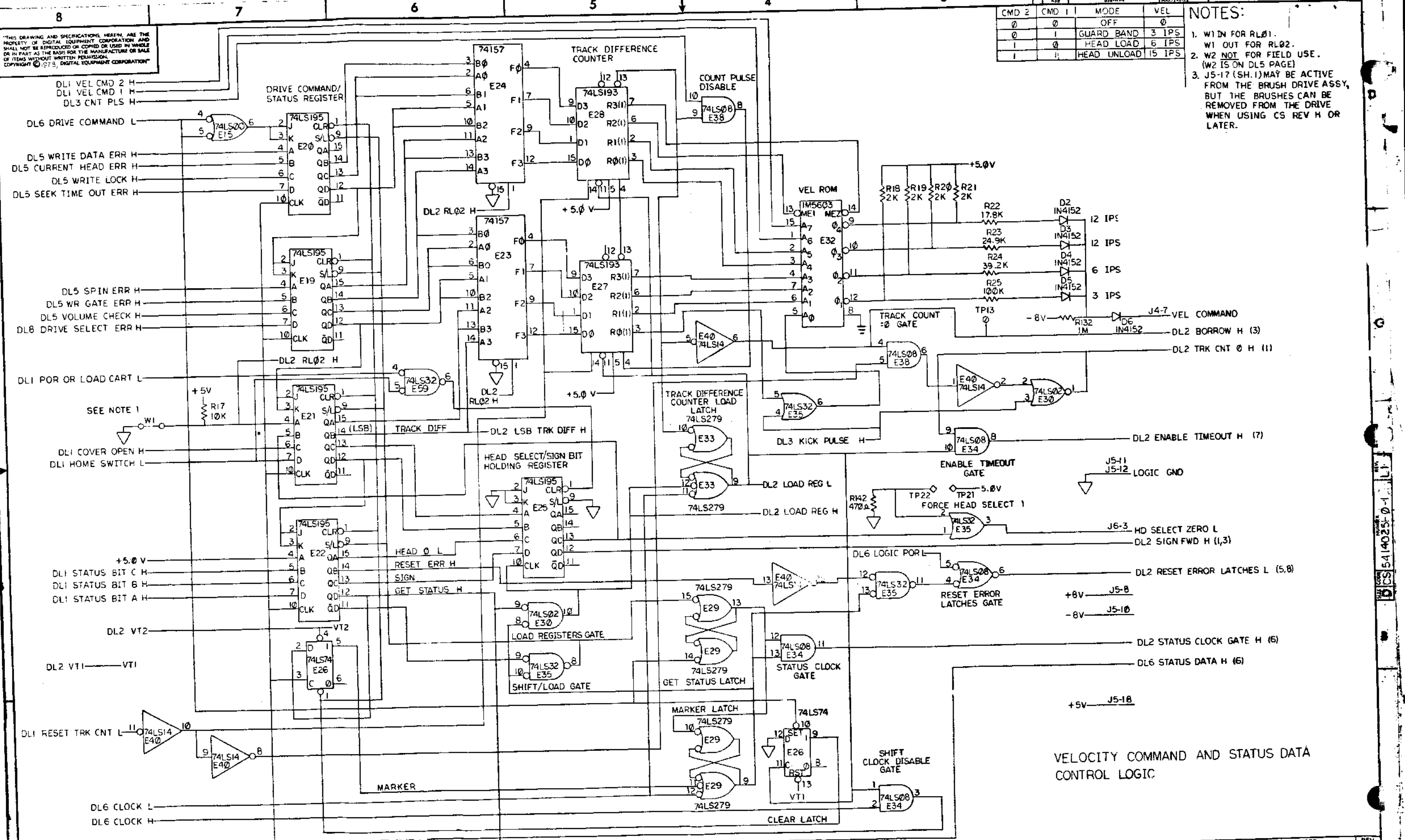
CHK	REVISIONS	B	C	D	E	F	G	H	J	K	L	L2
1	5414025-CX001 M. BROWN											
2	5414025-CX002 M. BROWN											
3	5414025-CX003 M. ZARICH											
4	5414025-CX004 M. ZARICH											
5	5414025-CX005 MIKE BROWN											
6	5414025-CX006 MIKE BROWN											
7	5414025-CX007 M. BROWN											
8	5414025-CX008 M. BROWN											
9	5414025-CX009 DC. 18 AUG 80 M. ZARICH											
10	5414025-CX010 M. BROWN											
11	5414025-CX011 M. ZARICH											
12	5414025-CX012 M. ZARICH											
13	5414025-CX013 D.B. 10 FEB 81 M. ZARICH											
14	5414025-CX014 R.N. 25 FEB 81 M. ZARICH											

DRN: 7/20/80	STG: 2/81	FIRST USED ON	Digital
CHK'D: [Signature]	DATE: 2/81	TITLE	DRIVE LOGIC (STATE CONTROL LOGIC) (DL2)
ENG: [Signature]	DATE: 2/81	PROD.	[Signature]
PROJ. ENG: [Signature]	DATE: 2/81	NEXT HIGHER ASSY.	
SCALE: 1:1	SIZE: D	CODE: CS	NUMBER: 5414025-0-1
SHEET: 1	OF: 8	DIST.	

THIS DRAWING AND SPECIFICATIONS HEREIN ARE THE PROPERTY OF DIGITAL EQUIPMENT CORPORATION AND SHALL NOT BE REPRODUCED OR COPIED OR USED IN WHOLE OR IN PART AS THE BASIS FOR THE MANUFACTURE OR SALE OF ITEMS WITHOUT WRITTEN PERMISSION. COPYRIGHT © 1978, DIGITAL EQUIPMENT CORPORATION

CMD 2	CMD 1	MODE	VEL
0	0	OFF	0
0	1	GUARD BAND	3 IPS
1	0	HEAD LOAD	6 IPS
1	1	HEAD UNLOAD	15 IPS

- NOTES:
- W1 IN FOR RL01.
 - W1 OUT FOR RL02.
 - W2 NOT FOR FIELD USE. (W2 IS ON DL5 PAGE)
 - J5-17 (SH.1) MAY BE ACTIVE FROM THE BRUSH DRIVE ASSY, BUT THE BRUSHES CAN BE REMOVED FROM THE DRIVE WHEN USING CS REV H OR LATER.

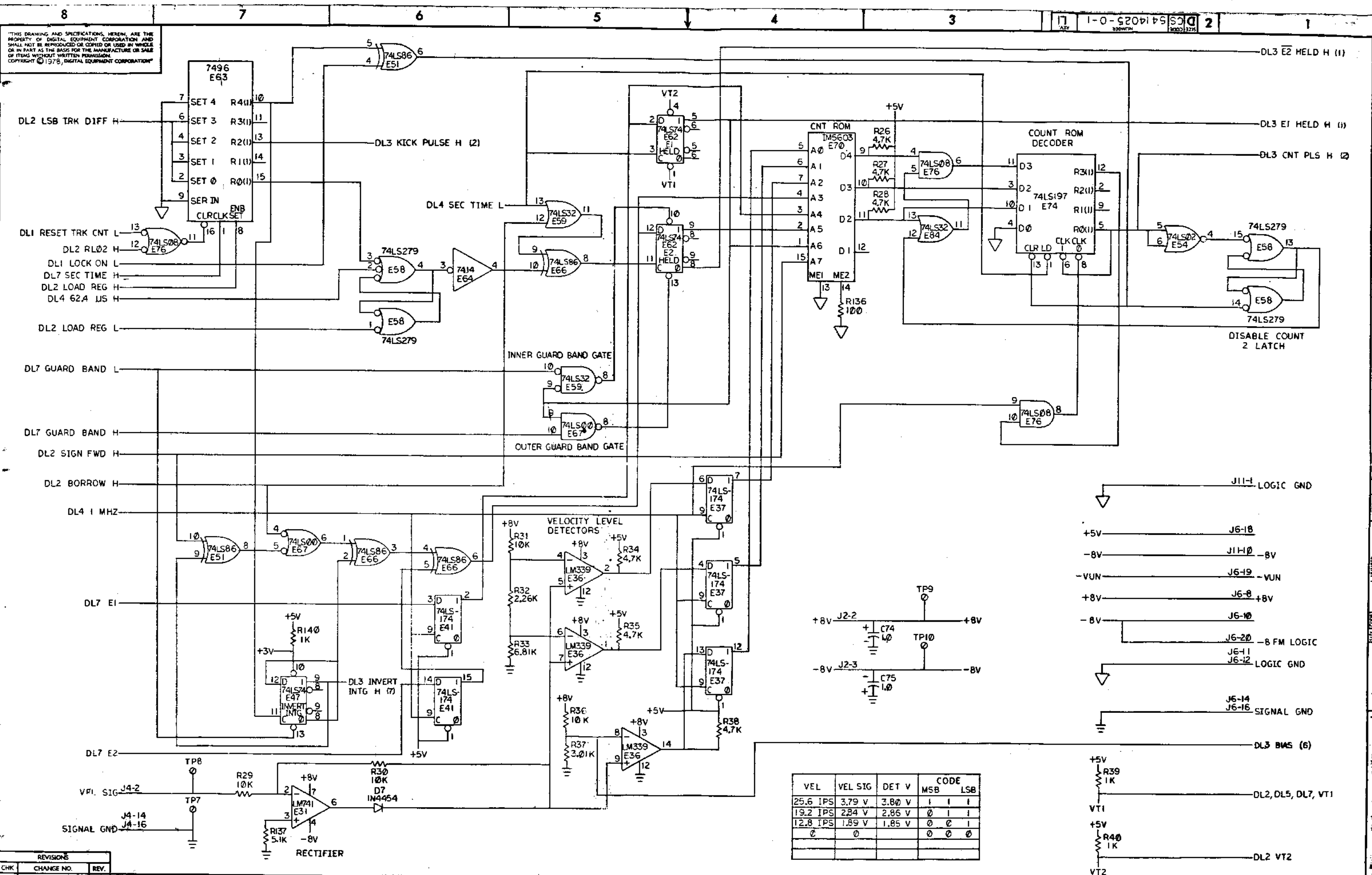


VELOCITY COMMAND AND STATUS DATA CONTROL LOGIC

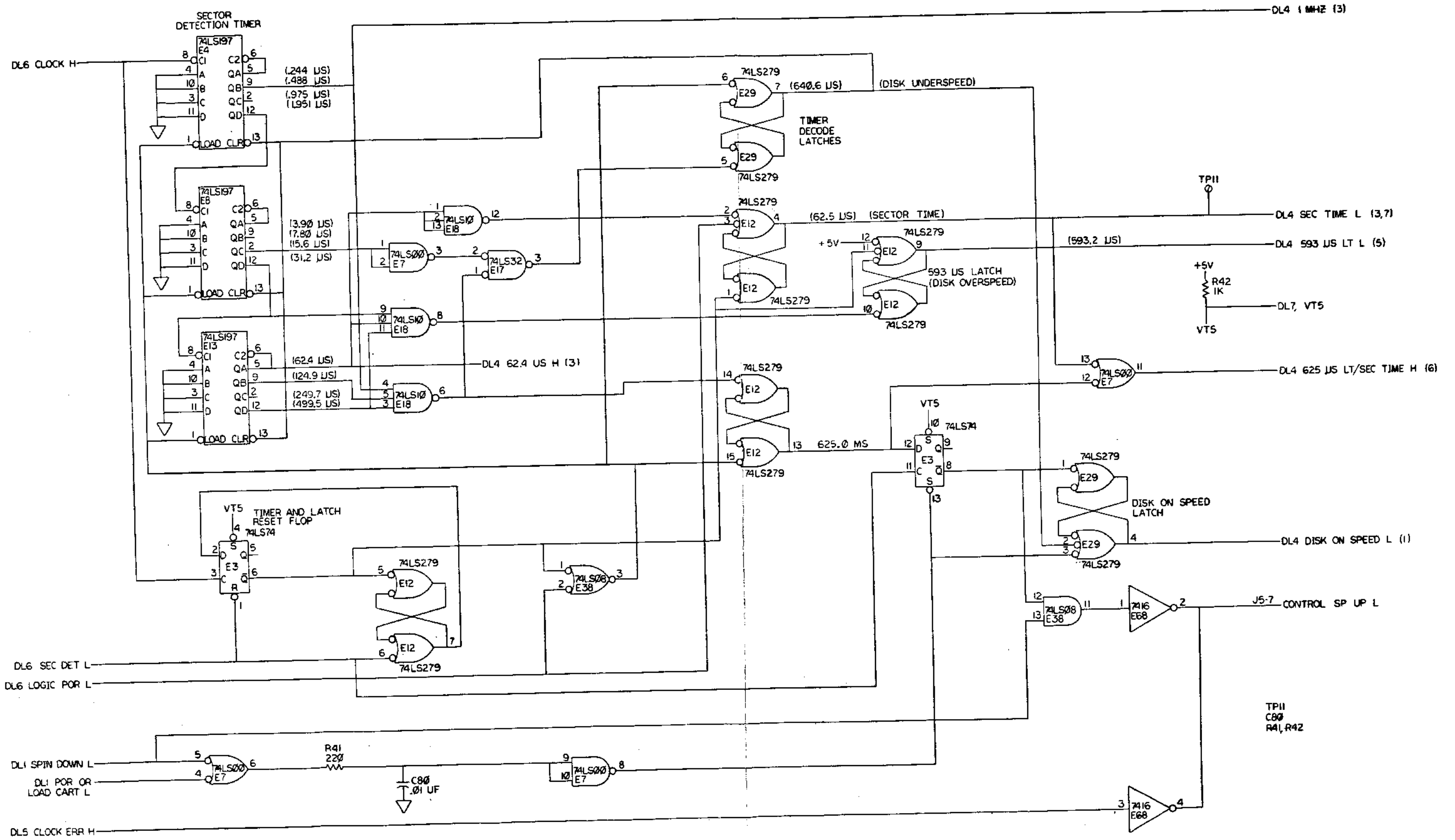
REVISIONS		
CHK	CHANGE NO.	REV.

TITLE	DRIVE LOGIC (DL2)	SIZE CODE	D CS	NUMBER	5414025-0-1	REV.	L1
SCALE	1/1	SHEET	2	OF	8	DIST.	

THIS DRAWING AND SPECIFICATIONS, HEREIN, ARE THE PROPERTY OF DIGITAL EQUIPMENT CORPORATION AND SHALL NOT BE REPRODUCED OR COPIED OR USED IN WHOLE OR IN PART AS THE BASIS FOR THE MANUFACTURE OR SALE OF ITEMS WITHOUT WRITTEN PERMISSION. COPYRIGHT © 1978, DIGITAL EQUIPMENT CORPORATION



THIS DRAWING AND SPECIFICATIONS HEREIN ARE THE PROPERTY OF DIGITAL EQUIPMENT CORPORATION AND SHALL NOT BE REPRODUCED OR COPIED OR USED IN WHOLE OR IN PART AS THE BASIS FOR THE MANUFACTURE OR SALE OF ITEMS WITHOUT WRITTEN PERMISSION. COPYRIGHT © 1978 DIGITAL EQUIPMENT CORPORATION

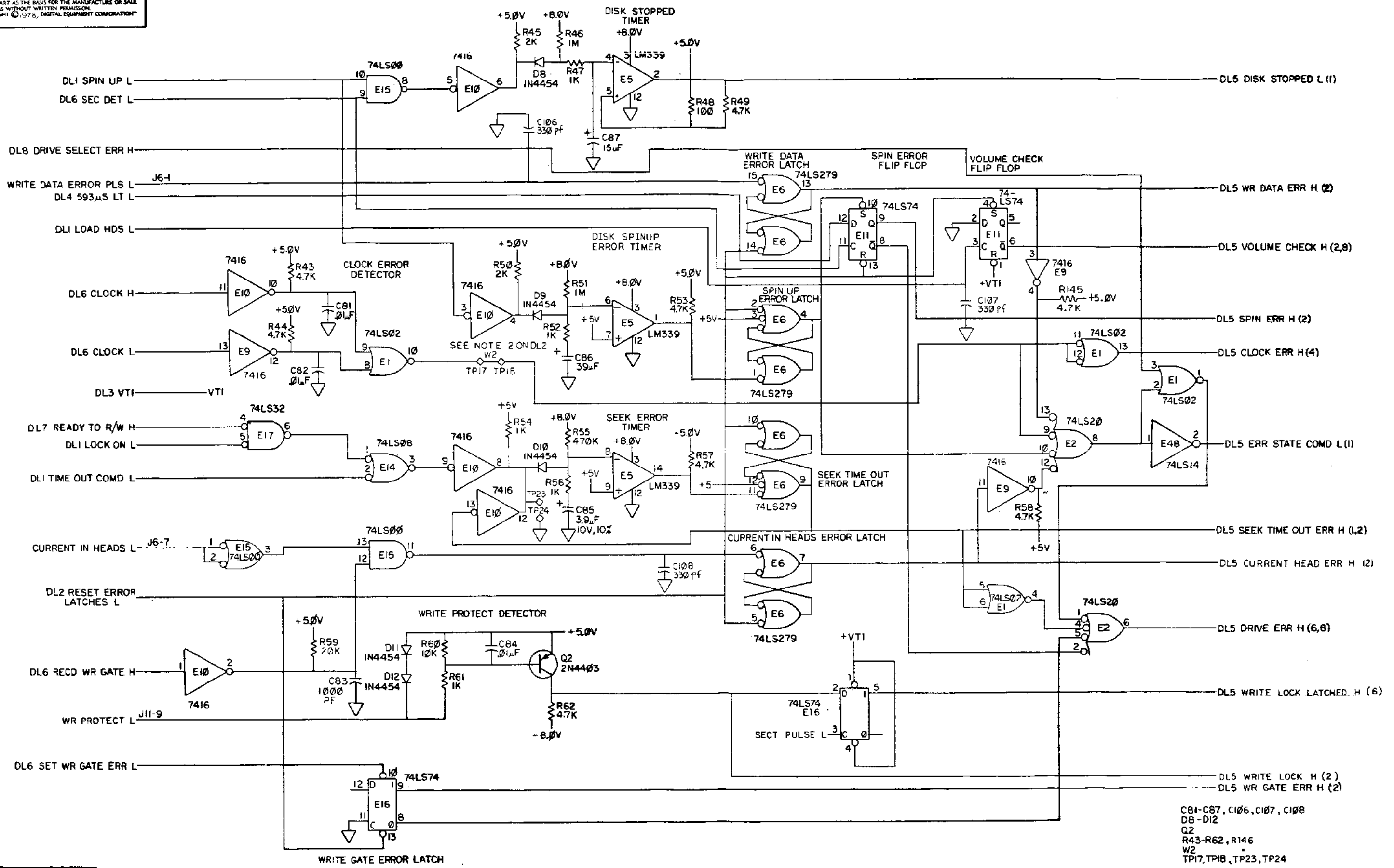


REVISIONS		
CHK	CHANGE NO.	REV.

TITLE		DRIVE LOGIC (DISK SPEED CONTROL) (DL4)		SIZE CODE	NUMBER		REV.
SCALE		SHEET 4 OF 8		DIST.	D CS 5414025-0-1		L1

REV. 001 5414025-0-1

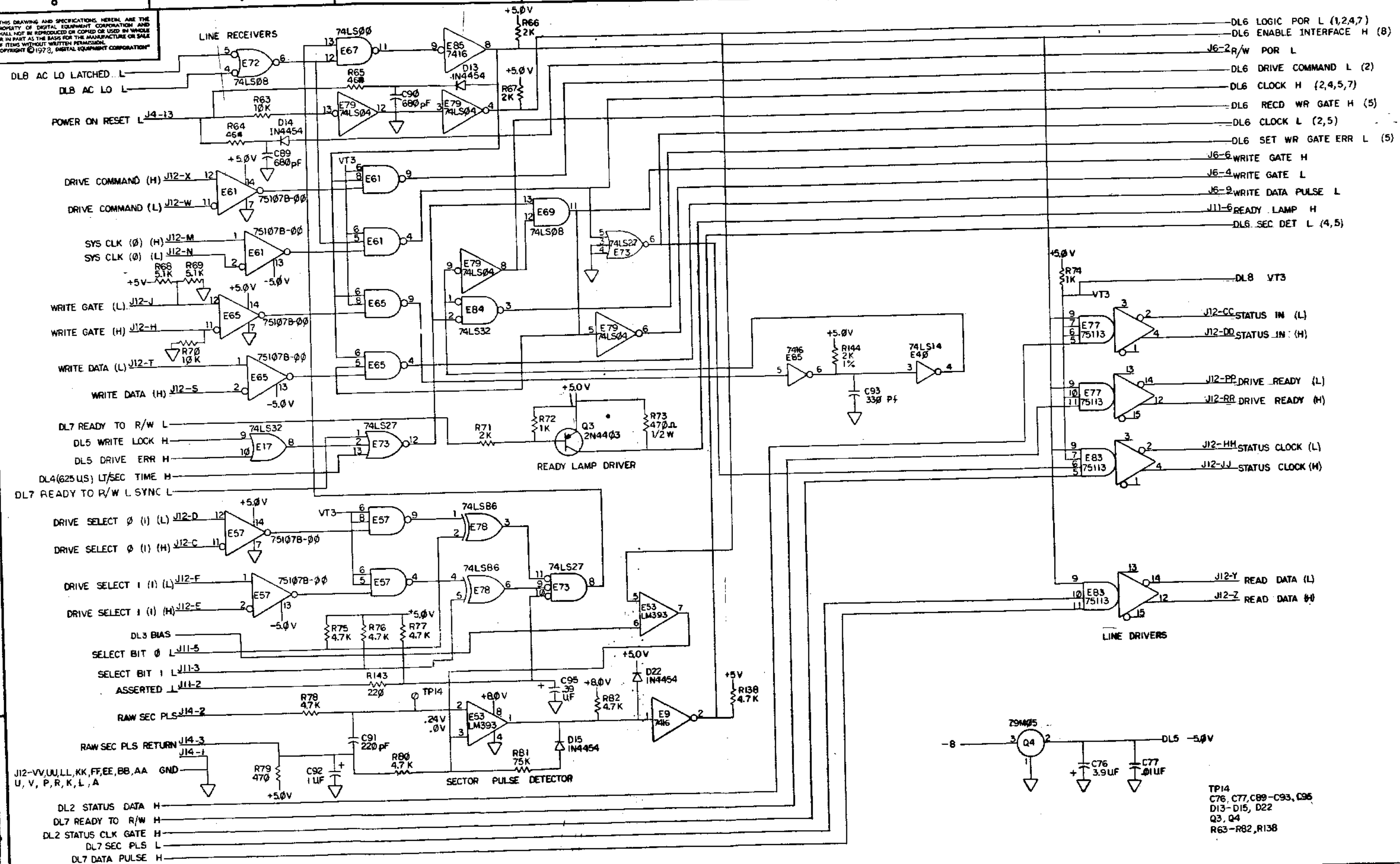
THIS DRAWING AND SPECIFICATIONS HEREIN ARE THE PROPERTY OF DIGITAL EQUIPMENT CORPORATION AND SHALL NOT BE REPRODUCED OR COPIED OR USED IN WHOLE OR IN PART AS THE BASIS FOR THE MANUFACTURE OR SALE OF ITEMS WITHOUT WRITTEN PERMISSION. COPYRIGHT © 1976, DIGITAL EQUIPMENT CORPORATION.



C81-C87, C106, C107, C108
 D8-D12
 Q2
 R43-R62, R146
 W2
 TP17, TP18, TP23, TP24

REVISIONS		
CHK	CHANGE NO.	REV.

THIS DRAWING AND SPECIFICATIONS HEREIN ARE THE PROPERTY OF DIGITAL EQUIPMENT CORPORATION AND SHALL NOT BE REPRODUCED OR COPIED OR USED IN WHOLE OR IN PART AS THE BASIS FOR THE MANUFACTURE OR SALE OF ITEMS WITHOUT WRITTEN PERMISSION. COPYRIGHT © 1973, DIGITAL EQUIPMENT CORPORATION



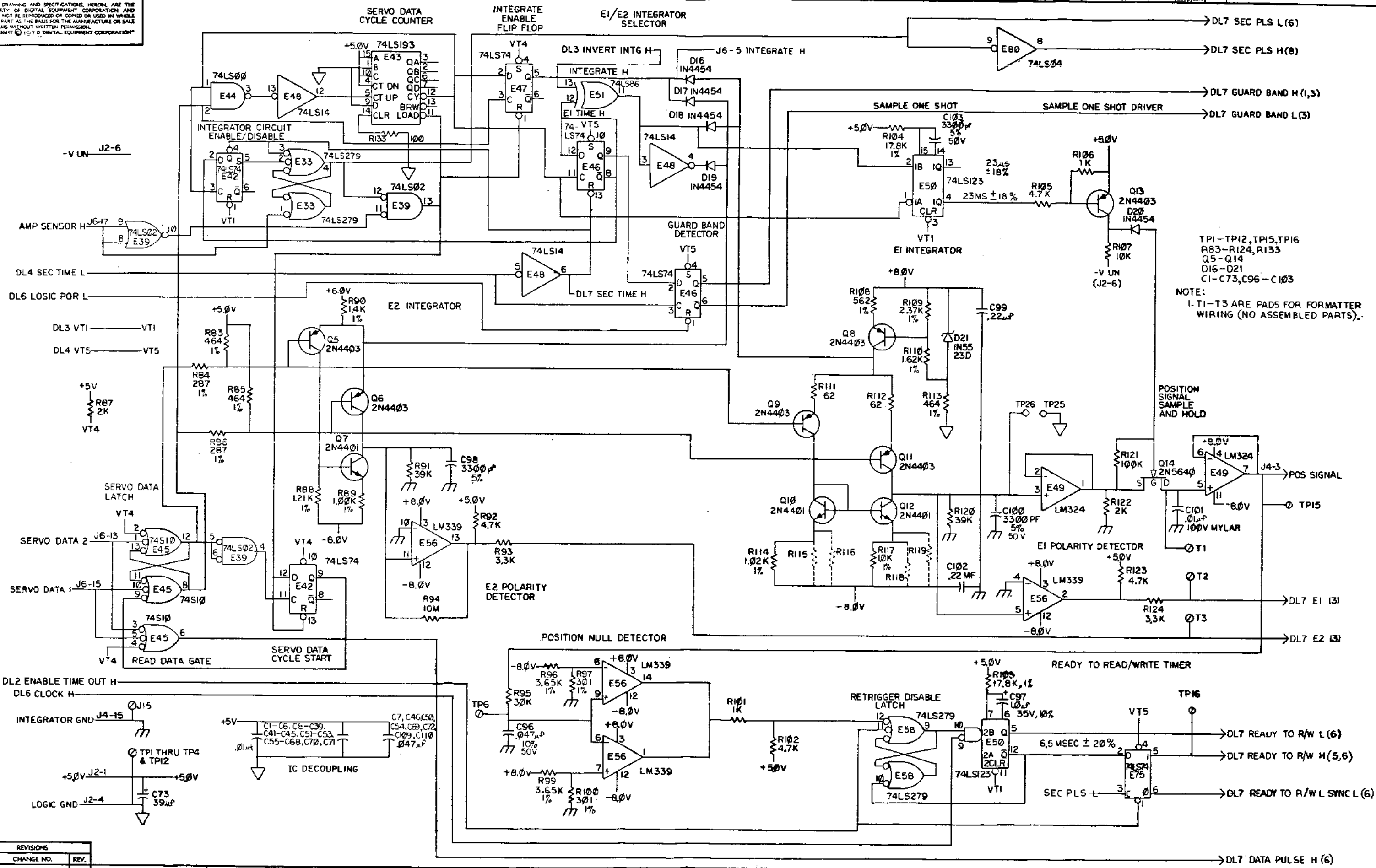
TP14
C76, C77, C89-C93, C96
D13-D15, D22
Q3, Q4
R63-R82, R138

REVISIONS		
CHK	CHANGE NO.	REV.

TITLE	DRIVE LOGIC (INTERFACE LOGIC) (DL6)	SIZE CODE	DCS5414025-0-1	NUMBER	(L)	REV.	
SCALE		SHEET	6 OF 8	DIST.			

REV. 1 L1 0-14025-0-1

"THIS DRAWING AND SPECIFICATIONS HEREIN ARE THE PROPERTY OF DIGITAL EQUIPMENT CORPORATION AND SHALL NOT BE REPRODUCED OR COPIED OR USED IN WHOLE OR IN PART AS THE BASIS FOR THE MANUFACTURE OR SALE OF ITEMS WITHOUT WRITTEN PERMISSION. COPYRIGHT © 1970 DIGITAL EQUIPMENT CORPORATION"



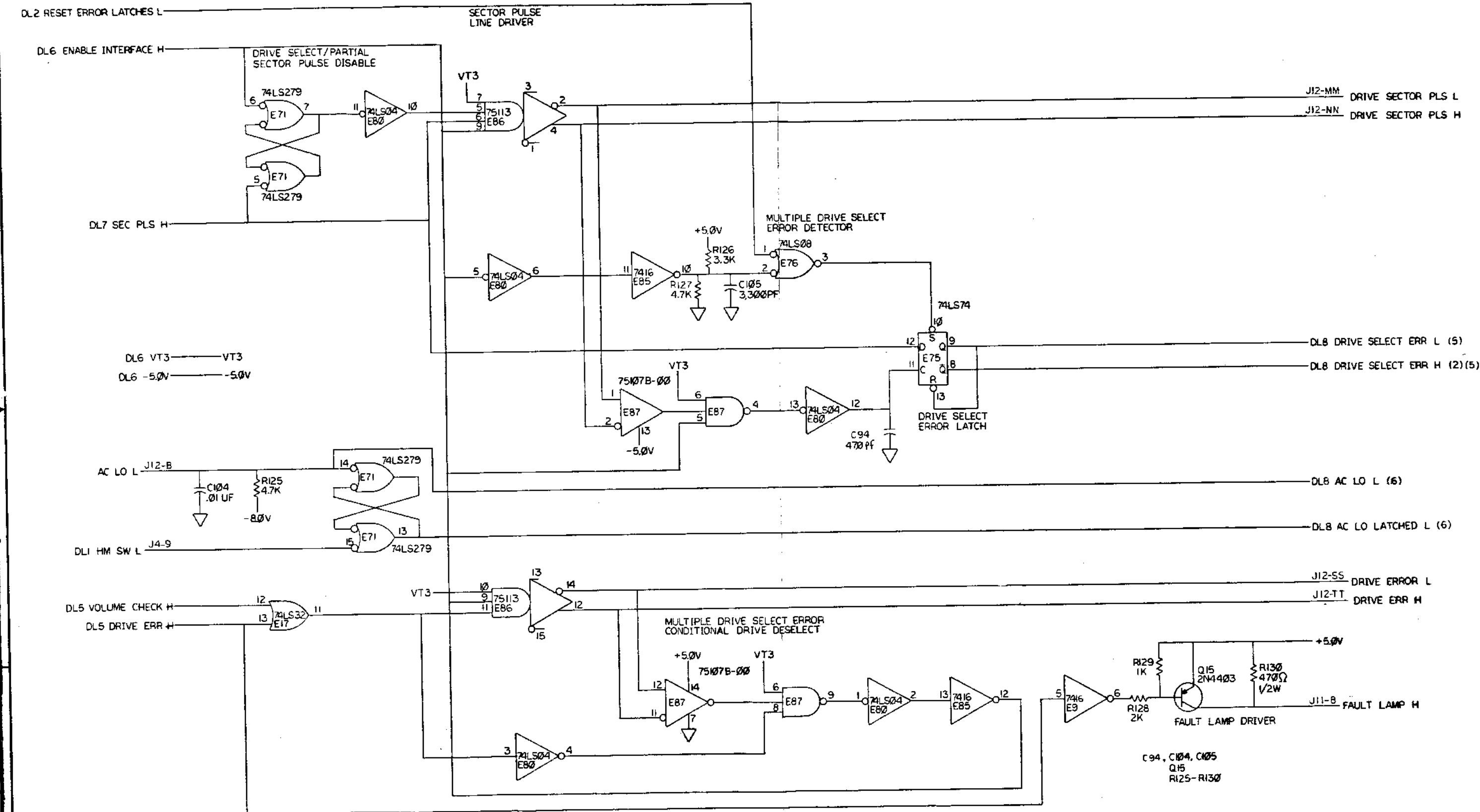
TPI-TPI2, TPI5, TPI6
 R83-R124, R133
 Q5-Q14
 D16-D21
 C1-C73, C96-C103

NOTE:
 I, T1-T3 ARE PADS FOR FORMATTER
 WIRING (NO ASSEMBLED PARTS).

POSITION
 SIGNAL
 SAMPLE
 AND HOLD

REVISIONS		
CHK	CHANGE NO.	REV.

THIS DRAWING AND SPECIFICATIONS HEREIN ARE THE PROPERTY OF DIGITAL EQUIPMENT CORPORATION AND SHALL NOT BE REPRODUCED OR COPIED OR USED IN WHOLE OR IN PART AS THE BASIS FOR THE MANUFACTURE OR SALE OF ITEMS WITHOUT WRITTEN PERMISSION. COPYRIGHT © 1978 DIGITAL EQUIPMENT CORPORATION



REVISIONS		
CHK	CHANGE NO.	REV.

TITLE	DRIVE LOGIC (DL8)	SIZE CODE	D	CS	NUMBER	5414025-0-1	REV.	LK
SCALE		SHEET	6	OF	8	DIST.		