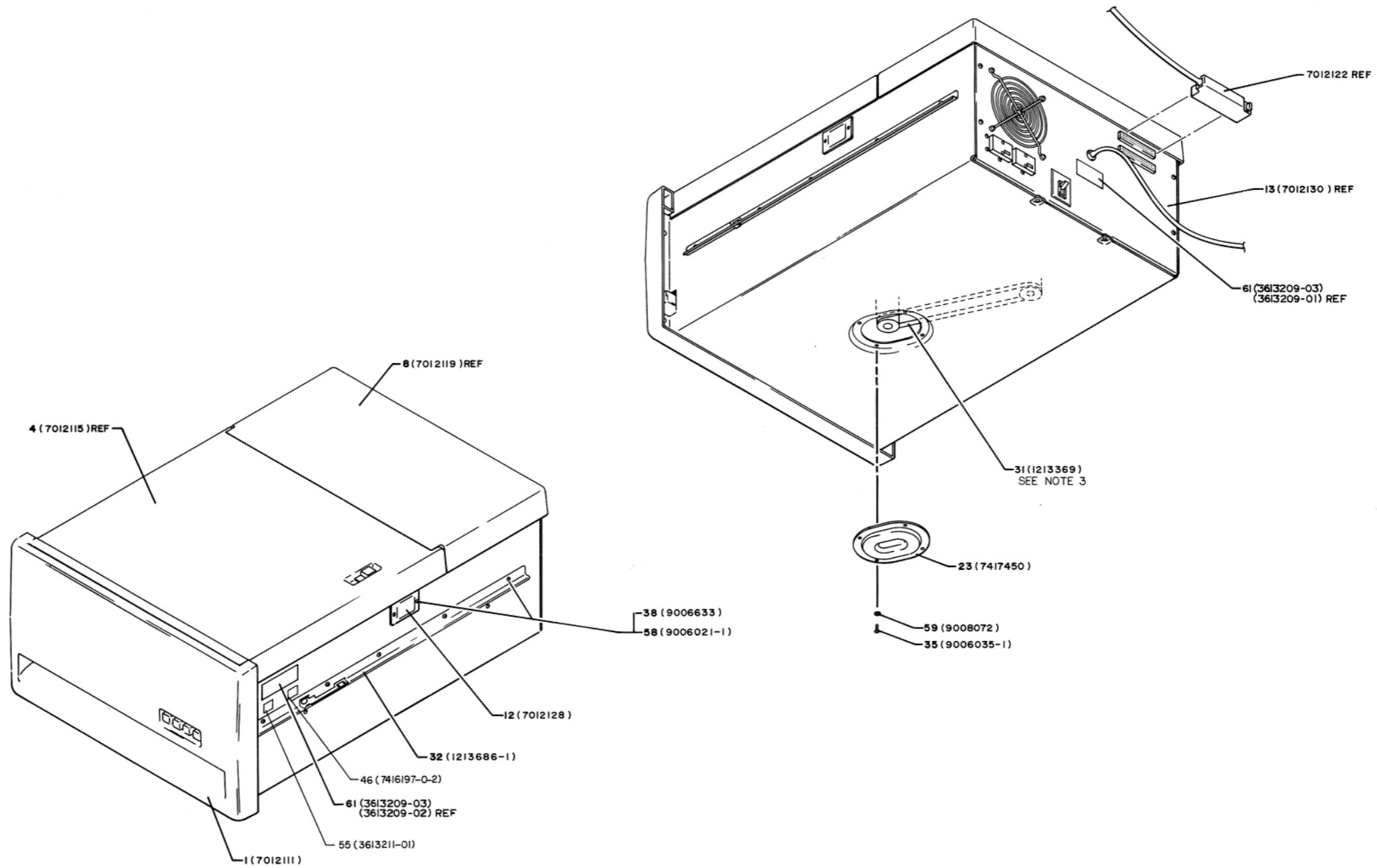


THIS DRAWING AND SPECIFICATIONS HEREIN ARE THE PROPERTY OF DIGITAL EQUIPMENT CORPORATION AND SHALL NOT BE REPRODUCED OR COPIED OR USED IN WHOLE OR IN PART AS THE BASIS FOR THE MANUFACTURE OF ANY EQUIPMENT WITHOUT WRITTEN PERMISSION OF DIGITAL EQUIPMENT CORPORATION.

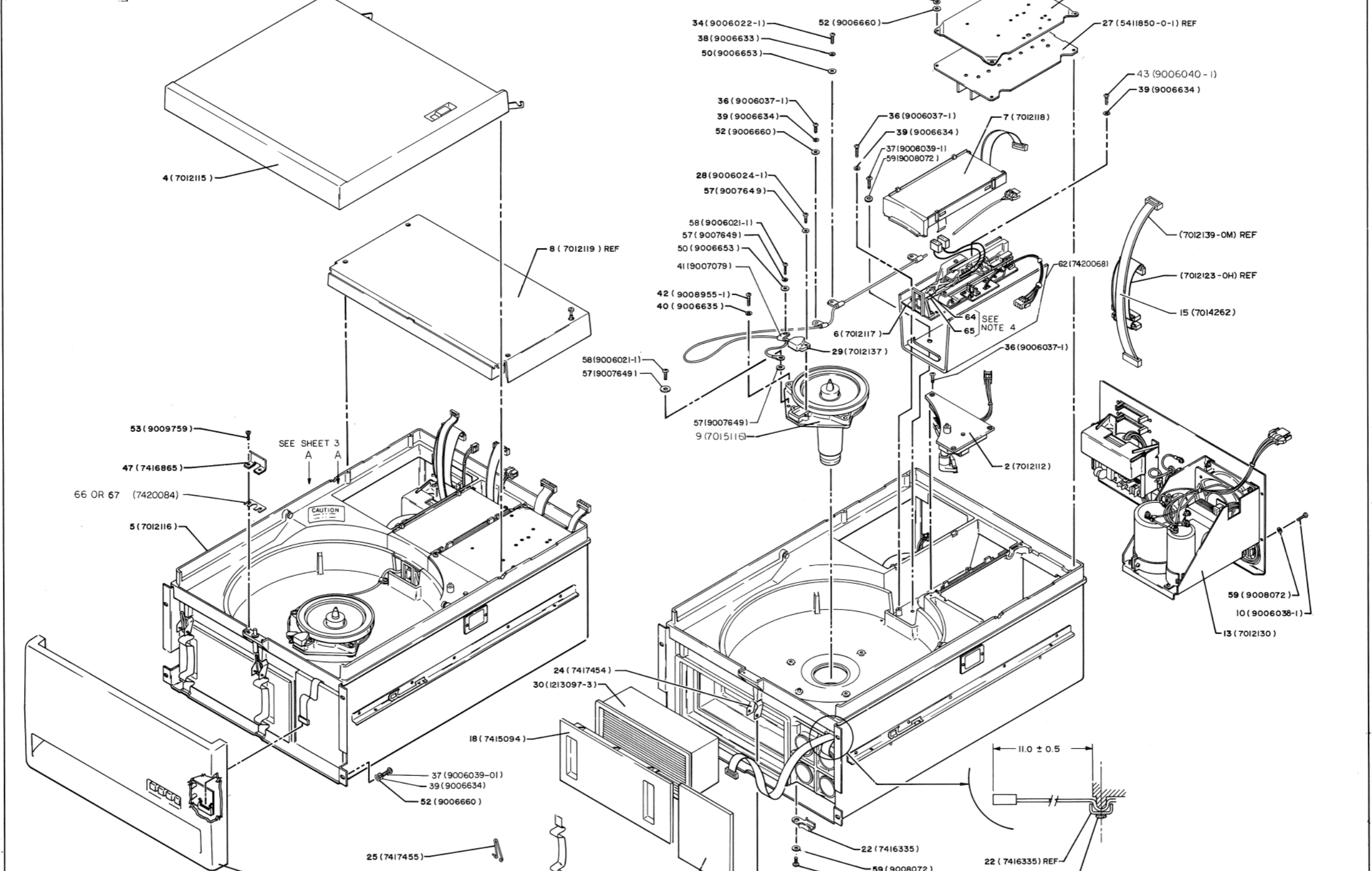
- NOTES:
1. LOWER HEAD (ITEM 65) SHALL BE POSITIONED REARWARDS AGAINST PIN IN CARRIAGE
 2. ALL SCREWS TO BE TIGHTENED AS FOLLOWS:
 4-40 SCREW, TORQUE 3.5 ± 0.5 IN LBS
 6-32 " " 5.0 ± 1.0 " "
 8-32 " " 10.0 ± 1.0 " "
 10-32 " " 18.0 ± 2.0 " "
 3. DRIVE BELT TENSION 10.0 ± 1.0 LBS
 4. 4-40 HEAD MTG BOLTS TO BE TIGHTENED TO 5.0 ± 0.5 IN LBS.



REV.	DATE	BY	CHKD	DESCRIPTION
A				RELEASED
B				REV. A
C				REV. B
D				REV. C
E				REV. D
F				REV. E
G				REV. F
H				REV. G
I				REV. H
J				REV. I
K				REV. J
L				REV. K
M				REV. L

THIRD ANGLE PROJECTION		DESCRIPTION		DWG. PART NO.	ITEM NO.
UNLESS OTHERWISE SPECIFIED DIMENSIONS ARE IN INCHES					
ANGLES	CLASS OF ACCURACY	NOMINAL DIMENSION RANGE INCHES			
90° 30'		0.001	0.002	0.003	0.004
SURFACE QUALITY	CHECK ONE	0.004	0.006	0.012	0.016
		0.024	0.036	0.048	0.064
QUANTITY & VARIATION	MICRONCHES	PREFERRED	1.012	1.016	1.028
			1.04	1.064	1.08
DRN. 8-9-77	CHK'D. 8-9-77	FIRST USED ON			
ENG. 8-9-77	PROL. ENG. 8-9-77	TITLE			
PROD. 8-9-77	DO NOT SCALE DWG.	NEXT HIGHER ASSY			
MATERIAL		SCALE	SIZE CODE	NUMBER	REF.
FINISH		SHEET 1	E UA	RLOI-0-0	M
		OF 4	DIST.		

THIS DRAWING AND SPECIFICATIONS ARE THE PROPERTY OF DIGITAL EQUIPMENT CORPORATION AND SHALL NOT BE REPRODUCED OR COPIED IN WHOLE OR IN PART AS THE BASIS FOR THE MANUFACTURE OR SALE OF ITEMS WITHOUT WRITTEN PERMISSION. DIGITAL EQUIPMENT CORPORATION. COPYRIGHT ©



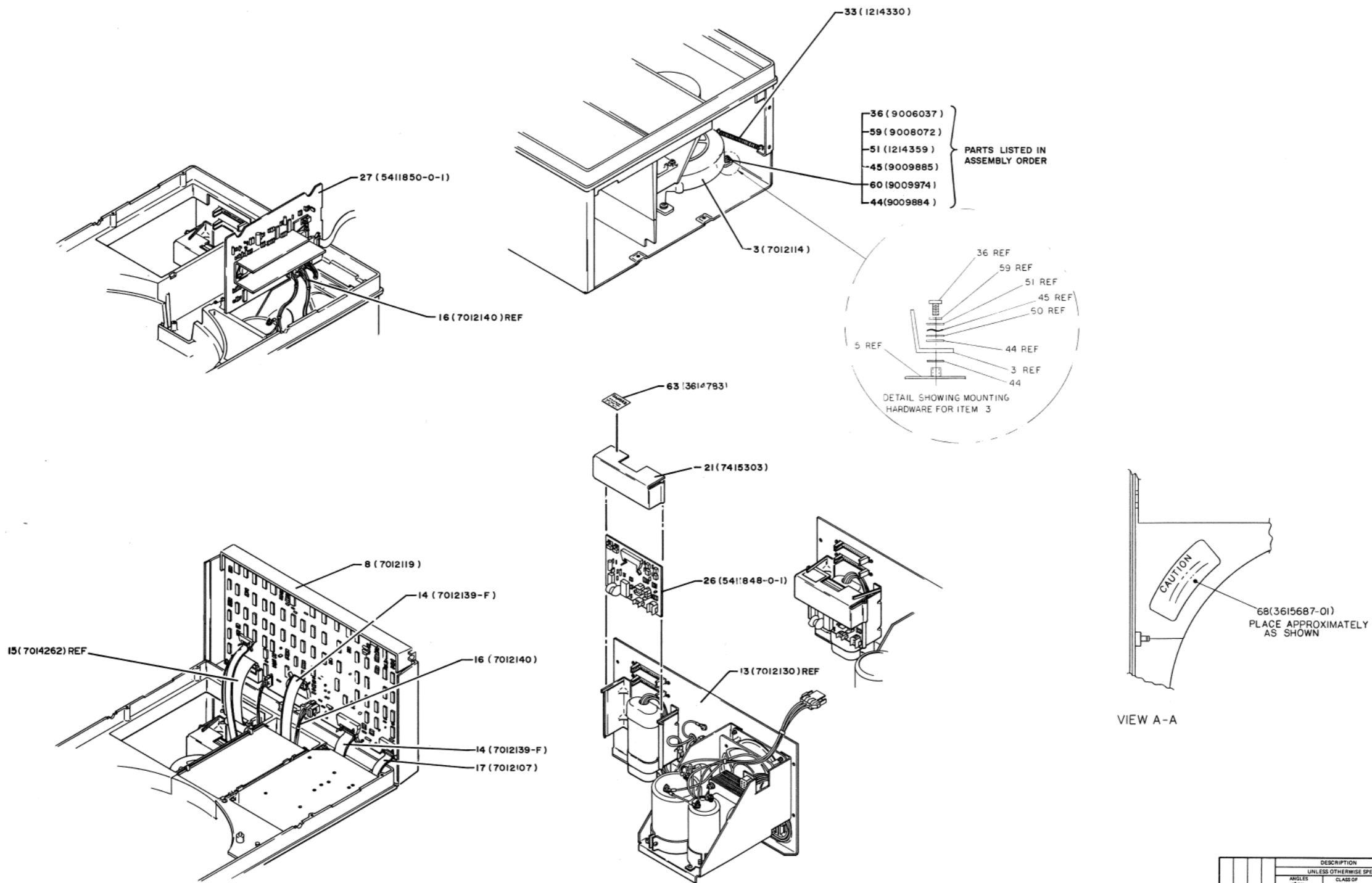
REV.	NO.	DESCRIPTION

THIRD ANGLE PROJECTION	DRY	ANALYT	FIRST USED ON	DIGITAL
REMOVE BURRS AND BREAK SHARP CORNERS				
DO NOT SCALE DWG				
MATERIAL				
FINISH				

DESCRIPTION		DIM. PART NO.		ITEM NO.
UNLESS OTHERWISE SPECIFIED DIMENSIONS ARE IN INCHES				
ANGLES	CLASS OF ACCURACY	NOMINAL DIMENSION RANGE INCHES		
10° 30'	CHECK ONE	0.005	0.010	0.015
SURFACE QUALITY IN MICRONS	MEDIUM	1.000	1.000	1.000
QUANTITY & VARIATION	PREFERRED	1.000	1.000	1.000

TITLE	RLOI DISK DRIVE ASSEMBLY
SIZE CODE	E UA
NUMBER	RLOI-0-0
REV.	M
SHEET	2 OF 4
DIST.	

THIS DRAWING AND SPECIFICATIONS HEREIN ARE THE PROPERTY OF DIGITAL EQUIPMENT CORPORATION AND SHALL NOT BE REPRODUCED OR COPIED OR USED IN WHOLE OR IN PART AS THE BASIS FOR THE MANUFACTURE OR SALE OF ITEMS WITHOUT WRITTEN PERMISSION. COPYRIGHT © DIGITAL EQUIPMENT CORPORATION

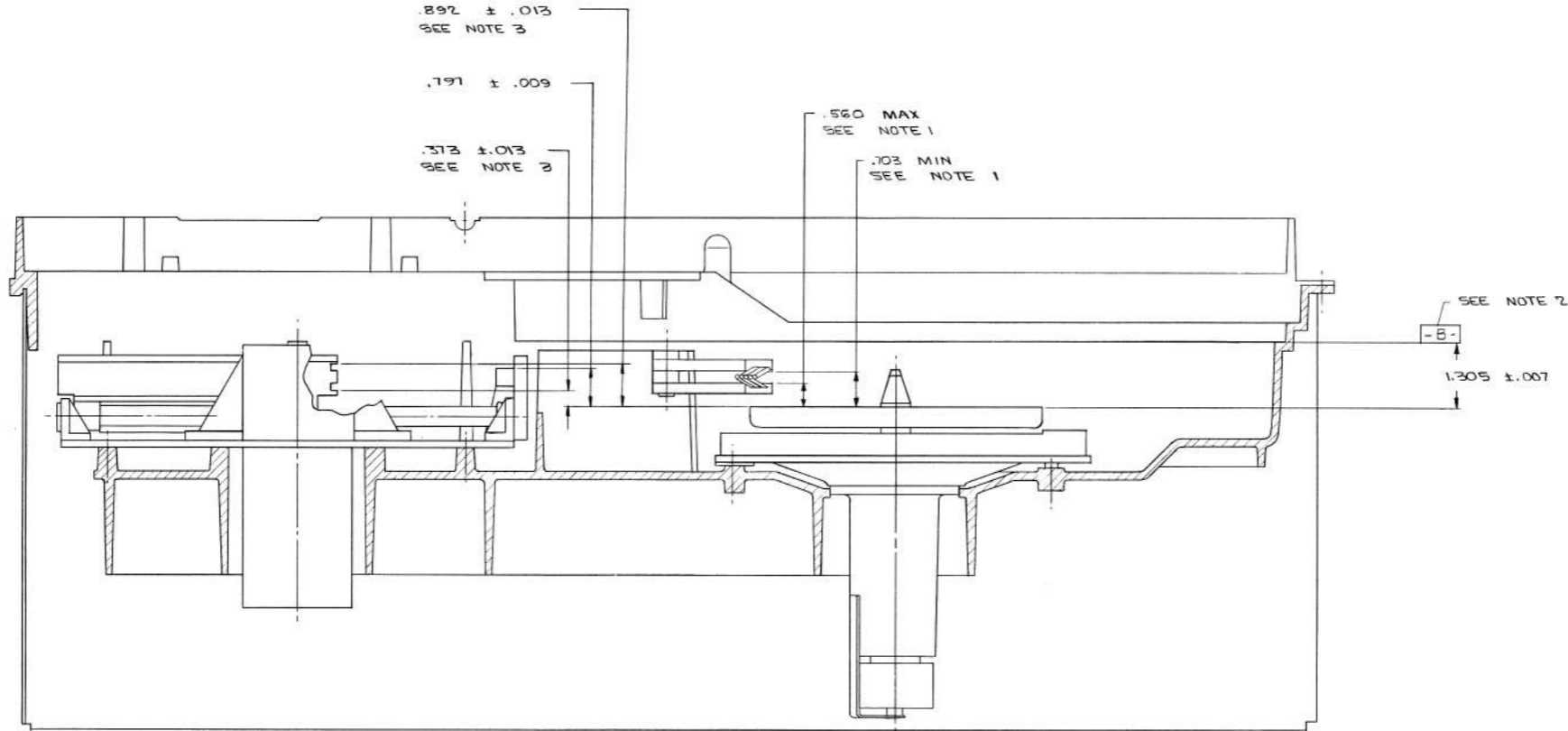


REVISIONS
CHK CHANGE NO. REV.

DESCRIPTION		DWG. PART NO.	ITEM NO.
UNLESS OTHERWISE SPECIFIED DIMENSIONS ARE IN INCHES			
ANGLES	CLASS OF ACCURACY	TYPICAL DIMENSION RANGE INCHES	
10° 30'	(CHECK ONE)	0.004	0.008
SURFACE QUALITY	IN	0.004	0.008
QUANTITY & VARIATION	MICROINCHES	0.004	0.008
THIRD ANGLE PROJECTION	DRN 572	04677	FIRST USED ON
REMOVE BURRS AND BREAK SHARP CORNERS	CHK'D F. J. J.	8.1.71	TITLE
DO NOT SCALE DWG	ENG. 8.1.71	8.1.71	RLOI DISK DRIVE ASSEMBLY
MATERIAL	PROJ. ENG. 8.1.71	8.1.71	SIZE CODE
FINISH	PROD. 8.1.71	8.1.71	E UA RLOI-0-0
	SCALE		NUMBER
	SHEET 3 OF 4		REV. M

THIS DRAWING AND SPECIFICATIONS HEREIN ARE THE PROPERTY OF DIGITAL EQUIPMENT CORPORATION AND SHALL NOT BE REPRODUCED OR COPIED OR USED IN WHOLE OR IN PART AS THE BASIS FOR THE MANUFACTURE OR SALE OF ITEMS WITHOUT WRITTEN PERMISSION. COPYRIGHT © 1970, DIGITAL EQUIPMENT CORPORATION.

NOTES:
 1. DIMENSION APPLIES TO HIGHEST OR LOWEST POINT ALONG BRUSHARM OR BLOCK OF BRUSH.
 2. 3 TOOLING POINTS SEE DRAWINGS 7416846 OR 7415237.
 3. DIMENSION HAS TO BE WITHIN .004 AT BOTH EXTREMES OF CARRIAGE TRAVEL.



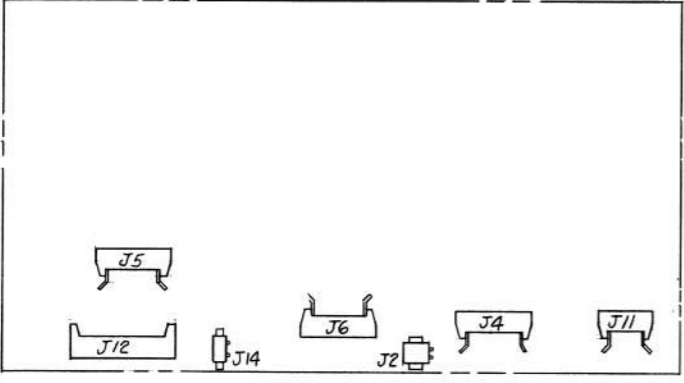
8 7 6 5 4 3 2 1
 J
 H
 F
 E
 D
 C
 B
 A

REV. 1
 CHANGE NO. 1
 DATE 11/11/71
 SEC. FORM NO. DDC 1969

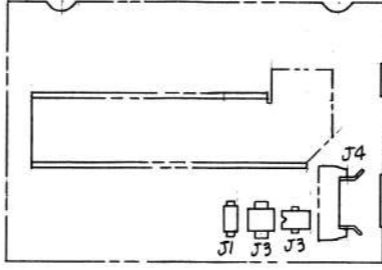
QUANTITY & VARIATION		DESCRIPTION		DWG. PART NO.		ITEM NO.	
UNLESS OTHERWISE SPECIFIED DIMENSIONS ARE IN INCHES							
ANGLES	CLASS OF ACCURACY	NOMINAL DIMENSION RANGE INCHES					
OF 2°	CHECK ONE	1/8"	1/4"	3/8"	1/2"	3/4"	1"
SURFACE QUALITY IN	MEDIUM	1.00	1.00	1.00	1.00	1.00	1.00
	PREFERRED	1.00	1.00	1.00	1.00	1.00	1.00
THIRD ANGLE PROJECTION		FIRST USED ON		DIGITAL			
REMOVE BURS AND BREAK SHARP CORNERS		NEXT HIGHER ASSY.		TITLE			
DO NOT SCALE DWG		SCALE		RLOI DISK DRIVE ASSEMBLY			
MATERIAL		SIZE CODE		NUMBER		REV.	
FINISH		E UA		RLOI-O-O		M	
SHEET 4 OF 4		DIST.					

REV. 1
 CHANGE NO. 1
 DATE 11/11/71
 SEC. FORM NO. DDC 1969

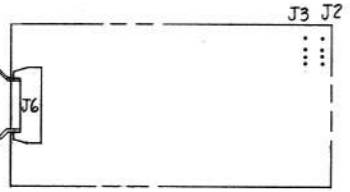
"THIS DRAWING AND SPECIFICATIONS, HEREIN, ARE THE PROPERTY OF DIGITAL EQUIPMENT CORPORATION AND SHALL NOT BE REPRODUCED OR COPIED OR USED IN WHOLE OR IN PART AS THE BASIS FOR THE MANUFACTURE OR SALE OF ITEMS WITHOUT WRITTEN PERMISSION.
 COPYRIGHT © 1977, DIGITAL EQUIPMENT CORPORATION"



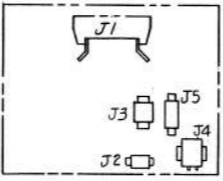
LOGIC BOARD
FIG 1



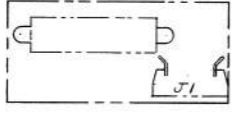
D.C. SERVO BOARD
FIG 4



R/W BOARD
FIG 2



A.C. SERVO BOARD
FIG 5



FRONT PANEL BOARD
FIG 3

REV.	CHANGE NO.	RELEASED AT
A		
B		

REVISIONS

CHK: [Signature]

DRN: R. Smith

ENG: [Signature]

PROD: [Signature]

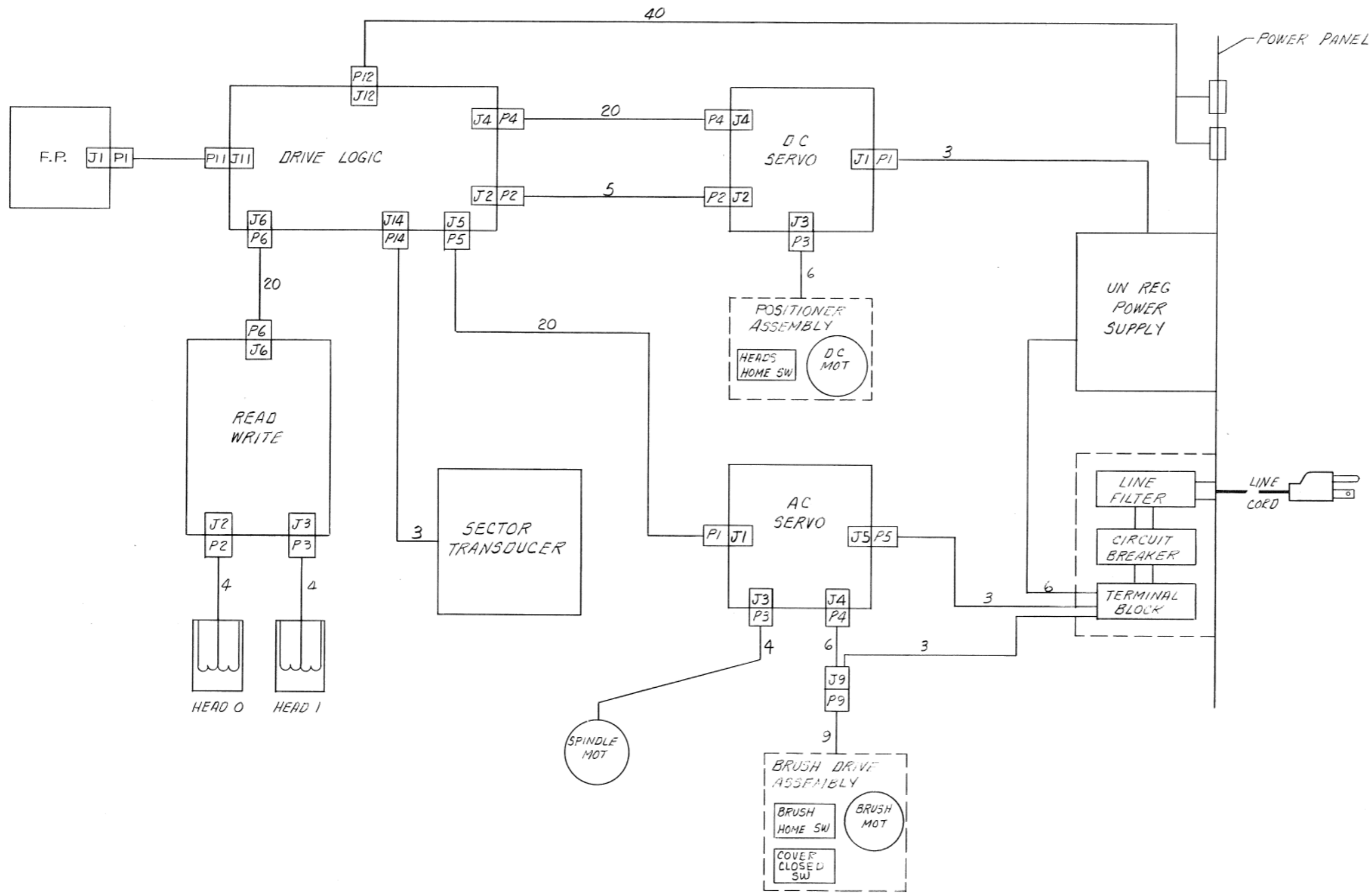
DATE: 9/27/77

DATE: 10/11/77

DATE: 10/11/77

THIRD ANGLE PROJECTION	DRN: R. Smith	9-27-77	FIRST USED ON	RL01	digital
REMOVE BURRS AND BREAK SHARP CORNERS	CHK'D	[Signature]	TITLE	RL01 SYSTEM CABLING	
DO NOT SCALE DWG	PROJ. ENG.	[Signature]	SCALE	1/2	
MATERIAL	FINISH		SHEET	1	OF 2
QUANTITY & VARIATION	DESCRIPTION	DWG./PART NO.	ITEM NO.		
UNLESS OTHERWISE SPECIFIED DIMENSIONS ARE IN INCHES					
ANGLES ±0° 30'	CLASS OF ACCURACY	NOMINAL DIMENSION RANGE INCHES			
SURFACE QUALITY IN	(CHECK ONE)	OVER 0 TO 0.2	OVER 0.2 TO 1.2	OVER 1.2 TO 4.0	OVER 4.0 TO 12.0
MEDIUM	<input type="checkbox"/>	±.004	±.008	±.012	±.016
PREFERRED	<input checked="" type="checkbox"/>	±.012	±.016	±.025	±.04
				±.063	±.01
MATERIAL		B-DD-RL01-Φ	SIZE	D	IC
FINISH			SCALE	1/2	
			SHEET	1	OF 2
			NUMBER	RL01-Φ-3	REV. B.
			DIST.		

"THIS DRAWING AND SPECIFICATIONS, HEREIN, ARE THE PROPERTY OF DIGITAL EQUIPMENT CORPORATION AND SHALL NOT BE REPRODUCED OR COPIED OR USED IN WHOLE OR IN PART AS THE BASIS FOR THE MANUFACTURE OR SALE OF ITEMS WITHOUT WRITTEN PERMISSION."
 COPYRIGHT © 1978, DIGITAL EQUIPMENT CORPORATION



REV.	
CHANGE NO.	
CHK	

THIRD ANGLE PROJECTION	DRN. R. Y. 9-27-77	FIRST USED ON	RL01	digital
	CHK'D	9-27-77	TITLE	
REMOVE BURRS AND BREAK SHARP CORNERS	PROJ. ENG. 9-27-77	PROD.		
DO NOT SCALE DWG	NEXT HIGHER ASSY.			
MATERIAL	SCALE	SIZE	CODE	NUMBER
FINISH	SHEET 2 OF 2	D	IC	RL01-0-3
				REV. B

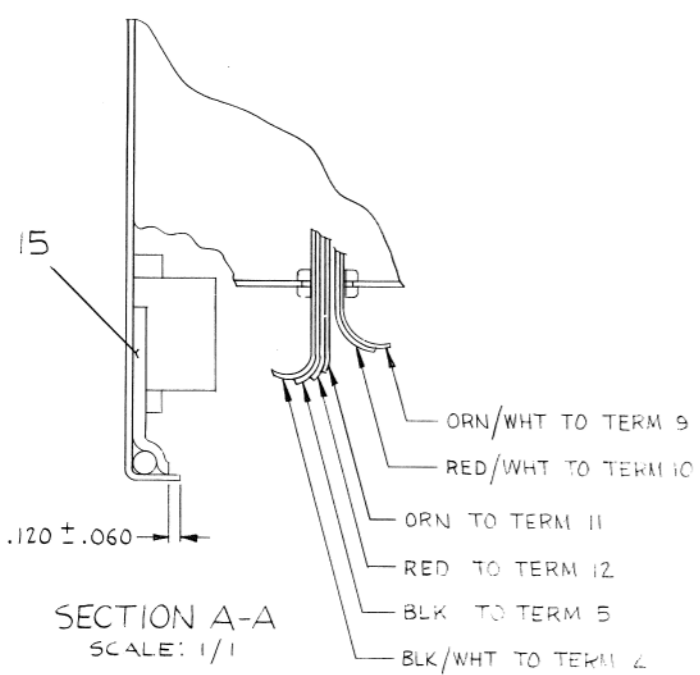
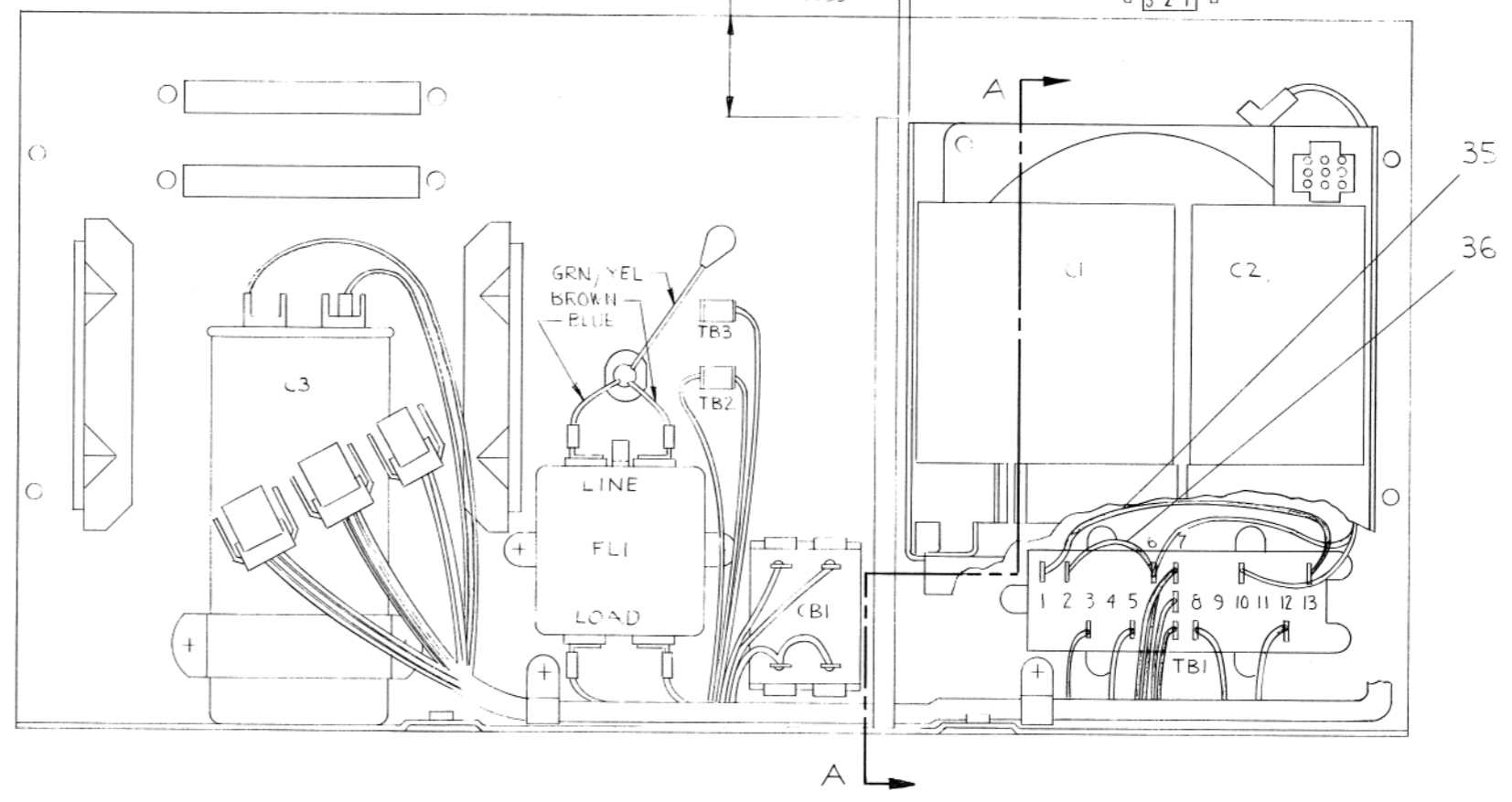
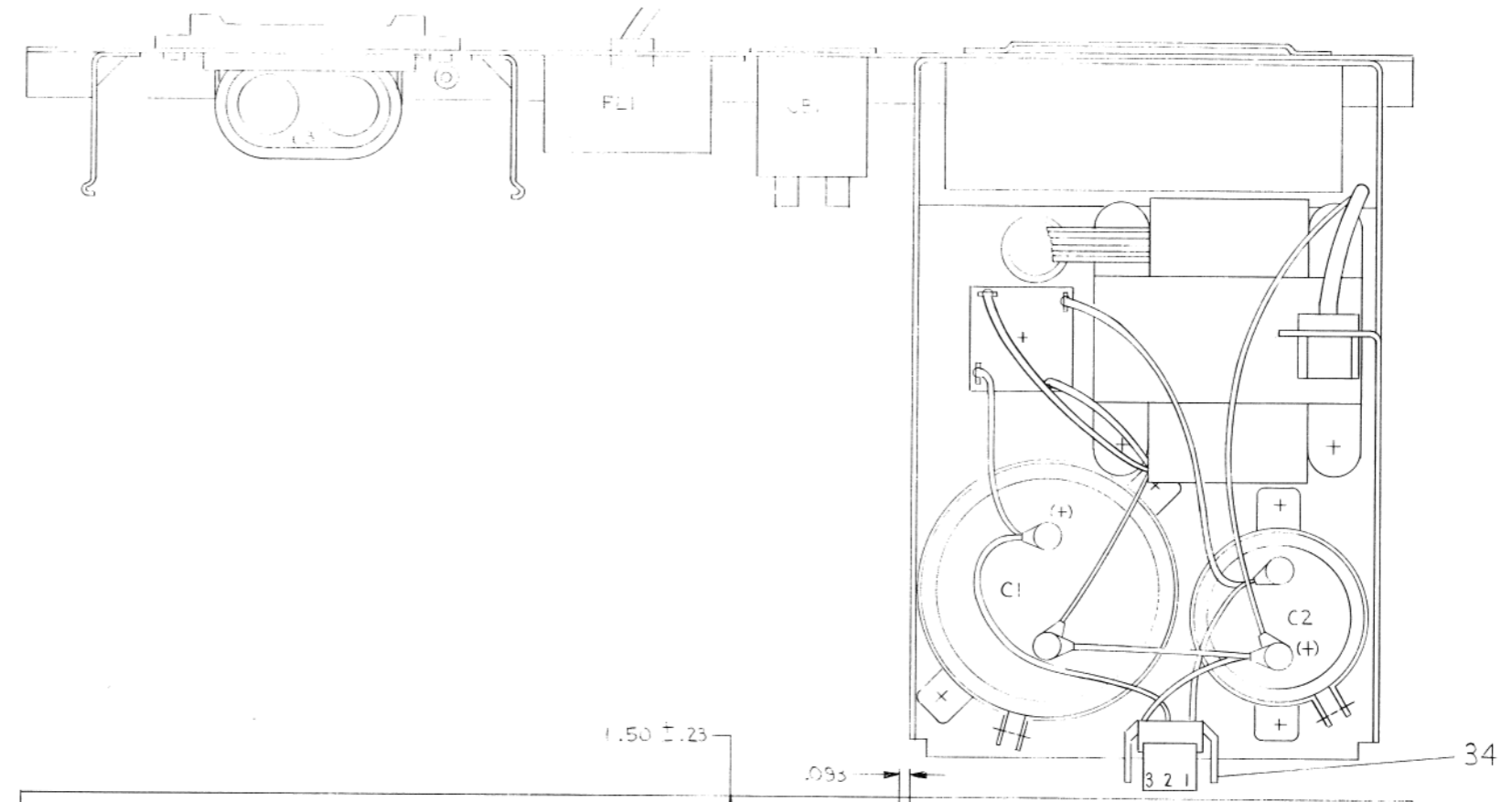
"THIS DRAWING AND SPECIFICATIONS, HEREIN, ARE THE PROPERTY OF DIGITAL EQUIPMENT CORPORATION AND SHALL NOT BE REPRODUCED OR COPIED OR USED IN WHOLE OR IN PART AS THE BASIS FOR THE MANUFACTURE OR SALE OF ITEMS WITHOUT WRITTEN PERMISSION. COPYRIGHT © 1978 DIGITAL EQUIPMENT CORPORATION"

- NOTES:
- INPUT VOLTAGE 50 OR 60 HZ
90-110, 105-128 VAC
180-220, 210-256 VAC
 - OUTPUT VOLTAGE ± 11.5 VDC MIN AT MIN POINT OF THE RIPPLE. 8 VDC MAX AT HIGH LINE. (MAX OF 25 VDC AT HIGH LINE 110 LOAD).
 - OUTPUT CURRENT: POSITIVE OUTPUT
2.5 AMP CONTINUOUS
3.5 AMP PULSE "25 MS"
NEGATIVE OUTPUT
.25 AMP CONTINUOUS
3.5 AMP PULSE "25 MS"
PULSE CURRENT ON ALTERNATE OUTPUT AT A 65 MS OUT CYCLE.
 - OUTPUT RIPPLE AT 110 VOLTS:

A. NO LOAD	100 mV P/P
B. +2.5 A	600 mV P/P
-2.5 A	300 mV P/P
C. +2.5 A	600 mV P/P
-3.75 A	1.5 V DURING PULSE

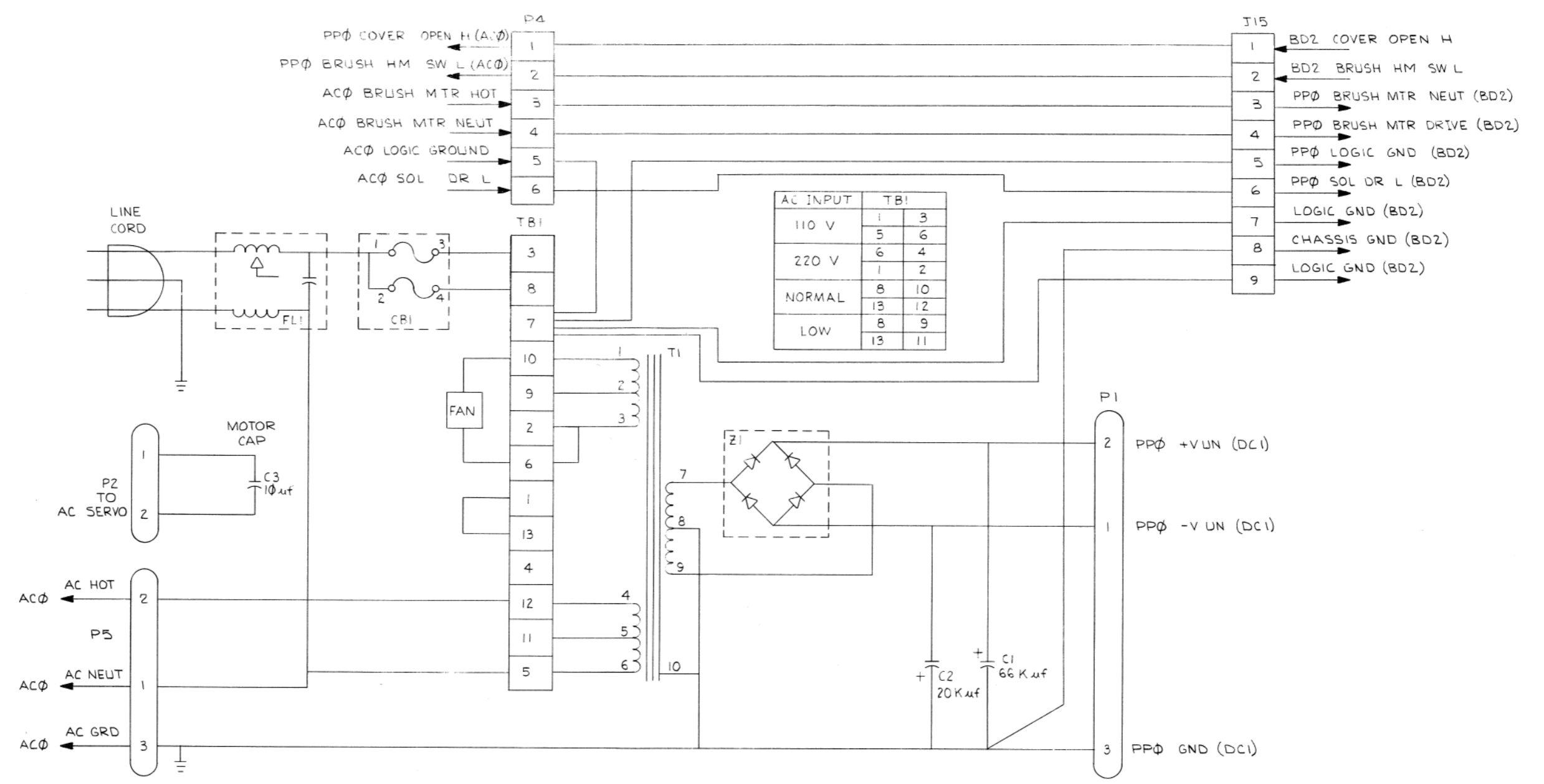
 RIPPLE AT 90 V RMS:

+2.5 A	500 mV
-3.75 A	2V
+6 A	900 mV
-2.5 A	400 mV
 - HIGH POT TEST PER UL 478
CONNECT BOTH AC LEADS TO THE POSITIVE TERMINAL OF THE SUPPLY AND GRN WIRE GROUND TO THE NEGATIVE TERMINAL OF THE SUPPLY. CLOSE CIRCUIT BREAKER AND INCREASE VOLTAGE TO 1750 VDC, ANY CURRENT INDICATES FAILURE.



REVISIONS		
CHK	CHANGE NO.	REV.

"THIS DRAWING AND SPECIFICATIONS, HEREIN, ARE THE PROPERTY OF DIGITAL EQUIPMENT CORPORATION AND SHALL NOT BE REPRODUCED OR COPIED OR USED IN WHOLE OR IN PART AS THE BASIS FOR THE MANUFACTURE OR SALE OF ITEMS WITHOUT WRITTEN PERMISSION. COPYRIGHT © 1978 DIGITAL EQUIPMENT CORPORATION"

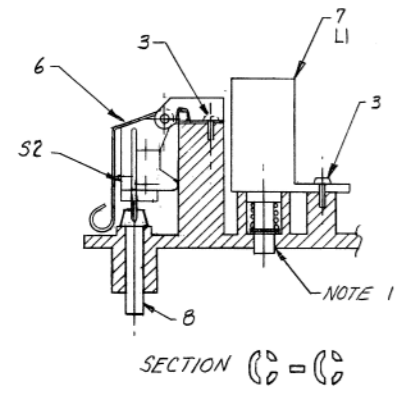
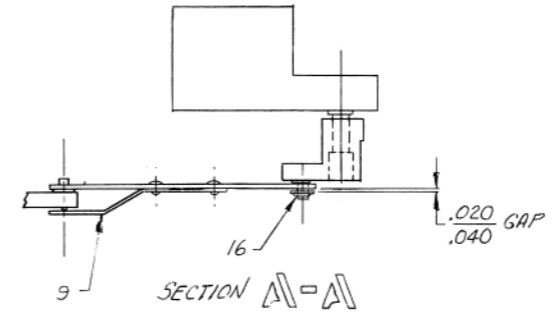
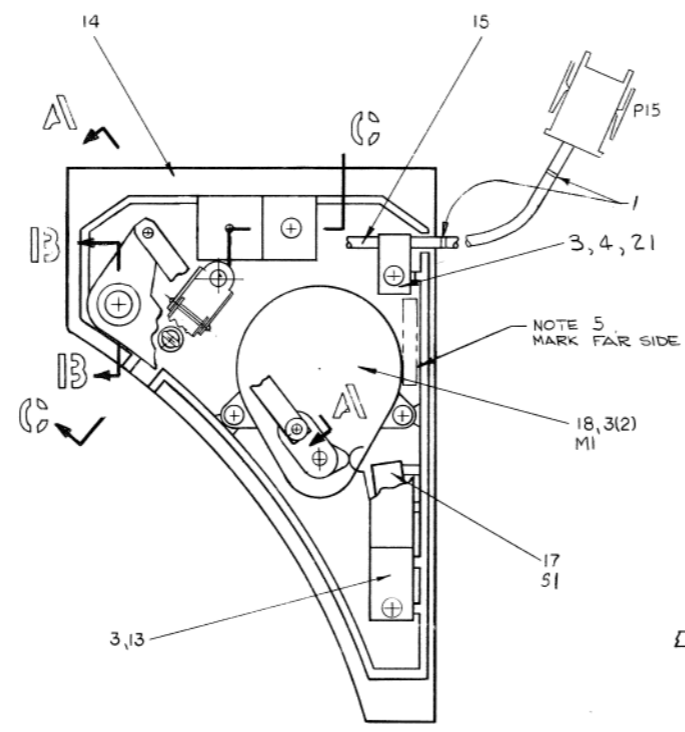
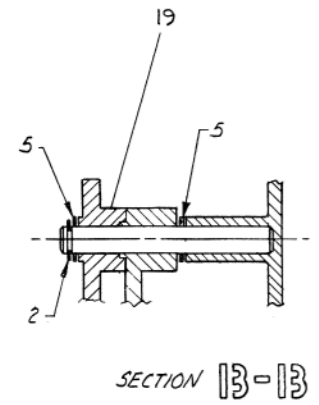


REVISIONS		
CHK	CHANGE NO.	REV.

"THIS DRAWING AND SPECIFICATIONS HEREIN ARE THE PROPERTY OF DIGITAL EQUIPMENT CORPORATION AND SHALL NOT BE REPRODUCED OR COPIED OR USED IN WHOLE OR IN PART AS THE BASIS FOR THE MANUFACTURE OR SALE OF ITEMS WITHOUT WRITTEN PERMISSION. COPYRIGHT © 1976, DIGITAL EQUIPMENT CORPORATION"

REV. E
AD 7012112-0-0
SIZE CODE D
NUMBER 2

- NOTES:
1. PLUNGER OF SOLENOID (ITEM 7) MUST MOVE FREELY. WHEN ASSEMBLY IS POSITIONED IN "UP" POSITION (TIP OF PLUNGER POINTING UP) A DC VOLTAGE OF 6.9 VOLTS SHALL PULL THE PLUNGER DOWN.
 2. UPPER AND LOWER BRUSH HOLDER (ITEMS 11 & 12) BONDED TOGETHER WITH (ITEM 21) BEFORE ASSEMBLY TO COVER (ITEM 14).
 3. ADJUST SWITCH (ITEM 17) BY LATERAL MOVEMENT OF BRACKET (ITEM 13). TRANSITION OF SWITCH TO OCCUR AT DEAD-CENTER OF CRANK (ITEM 19).
 4. CONNECT LEADS OF MOTOR (ITEM 18) TO PINS 3 & 4 OF CONNECTOR P15 AND LEADS OF SOLENOID (ITEM 7) TO PINS 6 & 7 OF CONNECTOR P15. DRESS WIRES AND TIE TO HARNESS (ITEM 15) WITH ITEM 1 AS SHOWN.
 5. PART TO BE MARKED WITH PART # (7012112) AND REVISION LETTER IN AREA SHOWN.



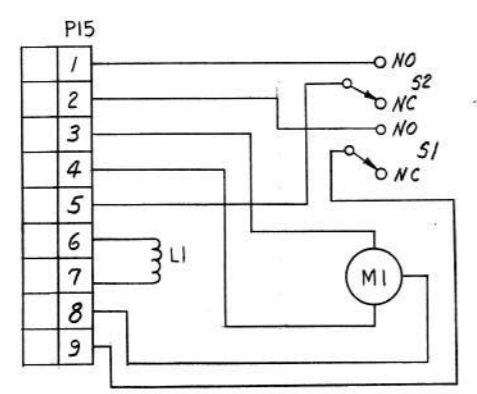
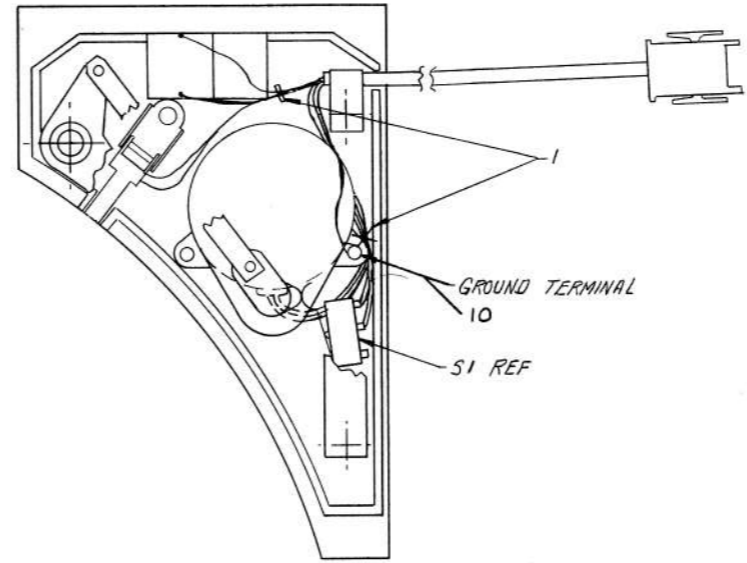
QTY	DESCRIPTION	DWG./PART NO.	ITEM NO.
1	WASHER, #6 FLAT	9006653-00	21
1	BRUSH AND HOLDER ASSY	D-1A-7016726-0-0	19
1	MOTOR, CRANK ASSEMBLY	C-AD-7014261-0-0	18
1	SWITCH	A-PS-1214011-06	17
1	PUSHNUT FASTENER	9009865-00	16
1	BRUSH DRIVE HARNESS	C-1A-7012126-0-0	15
1	COVER, BRUSH DRIVE	E-1A-7415224-0-0	14
1	BRACKET, SWITCH	C-MD-7415229-0-0	13
±	HOLDER, UPPER BRUSH	C-MD-7415226-0-0	±2
±	HOLDER, LOWER BRUSH	C-MD-7415225-0-0	±#
1	WASHER, LOCK #6 EXT	A-PS-9007649	10
1	BRUSH DRIVE LINK ASSEMBLY	C-1A-7418589-0-0	9
1	PLUNGER, CARTRIDGE SENSE	B-MD-7416858-0-0	8
1	SOLENOID, COVER LOCK	C-PS-1213204-0-0	7
1	CARTRIDGE SENSE SWITCH ASSY	C-AD-7012132-0-0	6
2	WASHER	9009868-00	5
1	CLAMP, CABLE	9007081-00	4
6	SCR, SELF-TAP, #6 X .38 LG	9009800-06	3
1	RETAINER	9009866-00	2
4	WRAP, TIE	9007031-00	1

UNLESS OTHERWISE SPECIFIED DIMENSIONS ARE IN INCHES	
ANGLES ±0° 30'	CLASS OF ACCURACY (CHECK ONE)
SURFACE QUALITY IN	NOMINAL DIMENSION RANGE INCHES
QUANTITY & VARIATION	MEDIUM ±.004 ±.008 ±.012 ±.016 ±.024 ±.04
	PREFERRED ±.012 ±.016 ±.025 ±.04 ±.063 ±0.1

REV.	CHANGE NO.	DESCRIPTION
A		RELEASED AT A PREVIOUS REV XOS
B	7012112-CX001	George Richberger
C	7012112-CX002	George Richberger
D	7012112-CZ003	K. GUENZEL
E	7012112-CZ004	KURT GUENZEL

THIRD ANGLE PROJECTION	DRN. M. L. H. K. 8/27/76	FIRST USED ON RL01	digital
REMOVE BURRS AND BREAK SHARP CORNERS	CHK'D. J. L. H. 8/27/76	TITLE	BRUSH DRIVE ASSEMBLY
DO NOT SCALE DWG	PROJ. ENG. J. L. H. 8/27/76	SCALE	E-UA-RL01-0-0
MATERIAL SEE PARTS LIST	PROD. B. L. H. 8/27/76	SIZE CODE	D
FINISH		NUMBER	AD 7012112-0-0
		REV.	E
		SHEET	1 OF 2

"THIS DRAWING AND SPECIFICATIONS, HEREIN, ARE THE PROPERTY OF DIGITAL EQUIPMENT CORPORATION AND SHALL NOT BE REPRODUCED OR COPIED OR USED IN WHOLE OR IN PART AS THE BASIS FOR THE MANUFACTURE OR SALE OF ITEMS WITHOUT WRITTEN PERMISSION. COPYRIGHT © 1976 DIGITAL EQUIPMENT CORPORATION"

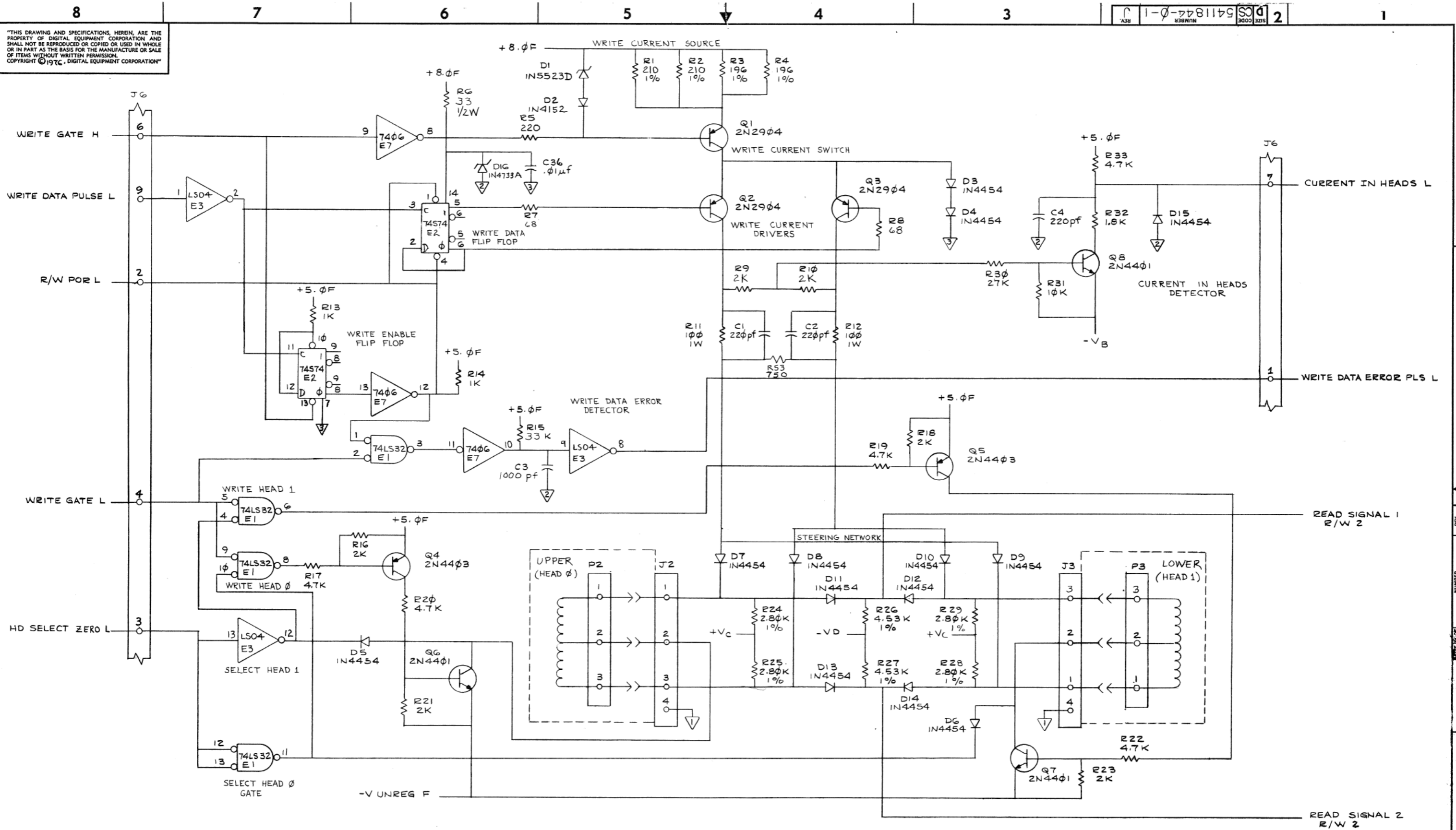


CIRCUIT SCHEMATIC

REVISIONS		
CHK	CHANGE NO.	REV.

REV. E
 NUMBER 7012112-0-0
 SIZE CODE D AD

"THIS DRAWING AND SPECIFICATIONS, HEREIN, ARE THE PROPERTY OF DIGITAL EQUIPMENT CORPORATION AND SHALL NOT BE REPRODUCED OR COPIED OR USED IN WHOLE OR IN PART AS THE BASIS FOR THE MANUFACTURE OR SALE OF ITEMS WITHOUT WRITTEN PERMISSION. COPYRIGHT © 1976, DIGITAL EQUIPMENT CORPORATION"

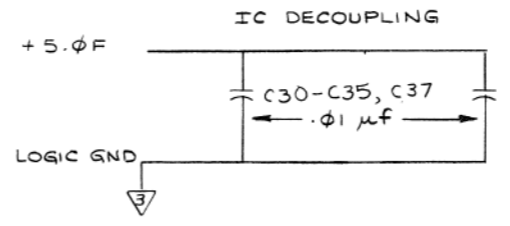
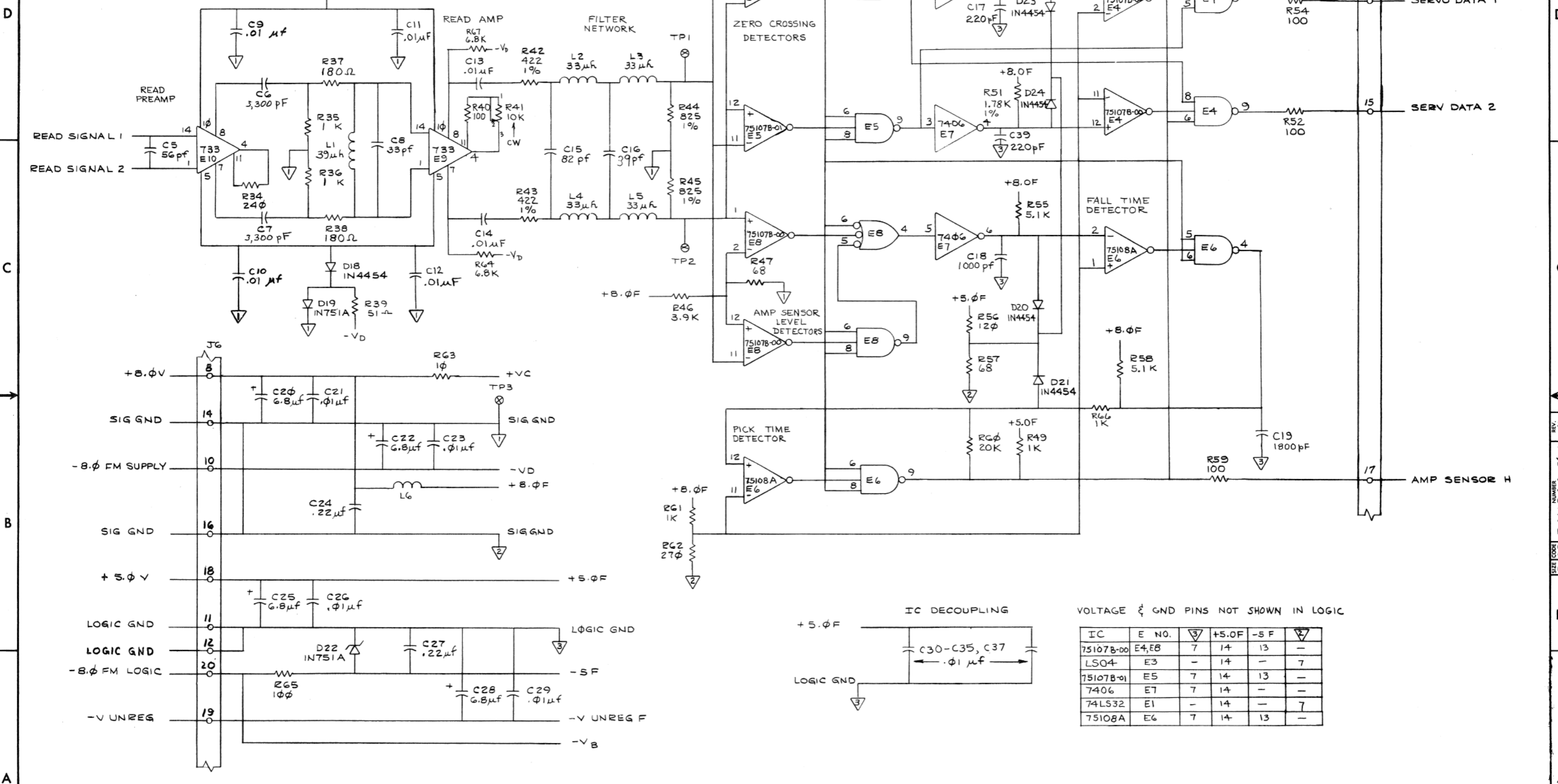


REV.	CHG.	BY	DATE
A	RELEASED		5-10-77
B	EQ'AL TO D1		
E	5411844-001		
F	5411844-002		
H	5411844-003		
J	5411844-CZ005		

DRN: <i>W. Metzger</i>	2/26/76	FIRST USED ON	
CHK'D: <i>D. Burnell</i>	2-10-77		
ENG: <i>D. Burnell</i>	5-5-77	TITLE	digital
PROJ. ENG: <i>W. Metzger</i>	5/5/77	READ/WRITE BOARD	
PROD: <i>D. Burnell</i>			
NEXT HIGHER ASSY.			
D-UA-5411844-0-0	SIZE CODE	NUMBER	REV.
SCALE	D	CS 5411844-0-1	J
SHEET 1 OF 2	DIST.		

"THIS DRAWING AND SPECIFICATIONS, HEREIN, ARE THE PROPERTY OF DIGITAL EQUIPMENT CORPORATION AND SHALL NOT BE REPRODUCED OR COPIED OR USED IN WHOLE OR IN PART AS THE BASIS FOR THE MANUFACTURE OR SALE OF ITEMS WITHOUT WRITTEN PERMISSION. COPYRIGHT © 1972 DIGITAL EQUIPMENT CORPORATION"

NOTES:
1. READ GAIN, 65CMV ON LOWEST HEAD MEASURED ON CYL 255



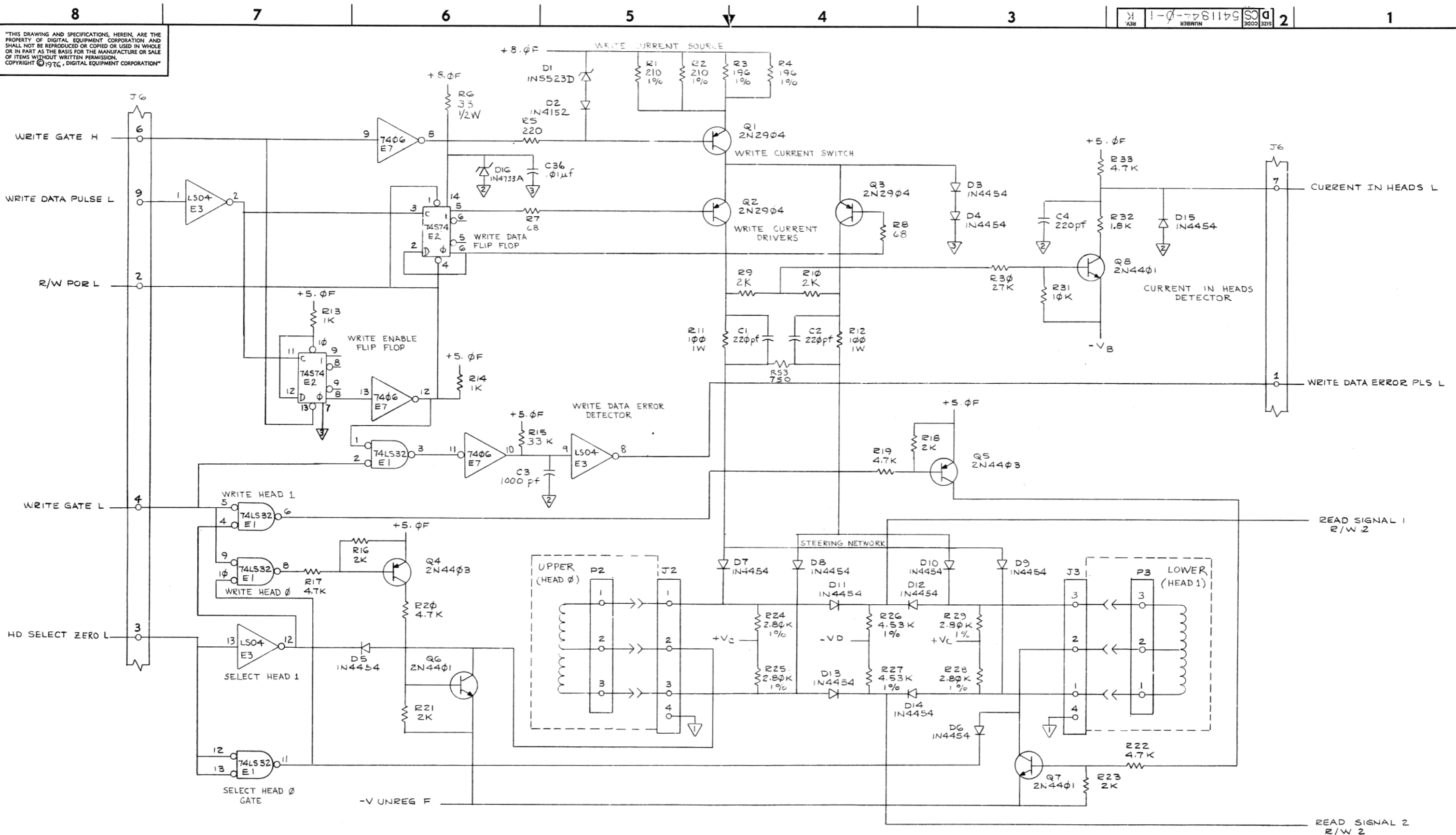
VOLTAGE & GND PINS NOT SHOWN IN LOGIC

IC	E NO.	7	+5.0V	-5F	2
75107B-00	E4, E8	7	14	13	-
LS04	E3	-	14	-	7
75107B-01	E5	7	14	13	-
7406	E7	7	14	-	-
74LS32	E1	-	14	-	7
75108A	E6	7	14	13	-

REVISIONS

CHK	CHANGE NO.	REV.

"THIS DRAWING AND SPECIFICATIONS, HEREIN, ARE THE PROPERTY OF DIGITAL EQUIPMENT CORPORATION AND SHALL NOT BE REPRODUCED OR COPIED OR USED IN WHOLE OR IN PART AS THE BASIS FOR THE MANUFACTURE OR SALE OF ITEMS WITHOUT WRITTEN PERMISSION. COPYRIGHT © 1976, DIGITAL EQUIPMENT CORPORATION"



REV.	CHANGE NO.	DESCRIPTION
1	1	INITIAL RELEASED
2	2	REVISED TO D1
3	3	REVISED TO D1
4	4	REVISED TO D1
5	5	REVISED TO D1
6	6	REVISED TO D1
7	7	REVISED TO D1
8	8	REVISED TO D1
9	9	REVISED TO D1
10	10	REVISED TO D1
11	11	REVISED TO D1
12	12	REVISED TO D1
13	13	REVISED TO D1
14	14	REVISED TO D1
15	15	REVISED TO D1
16	16	REVISED TO D1
17	17	REVISED TO D1
18	18	REVISED TO D1
19	19	REVISED TO D1
20	20	REVISED TO D1
21	21	REVISED TO D1
22	22	REVISED TO D1
23	23	REVISED TO D1
24	24	REVISED TO D1
25	25	REVISED TO D1
26	26	REVISED TO D1
27	27	REVISED TO D1
28	28	REVISED TO D1
29	29	REVISED TO D1
30	30	REVISED TO D1
31	31	REVISED TO D1
32	32	REVISED TO D1
33	33	REVISED TO D1
34	34	REVISED TO D1
35	35	REVISED TO D1
36	36	REVISED TO D1
37	37	REVISED TO D1
38	38	REVISED TO D1
39	39	REVISED TO D1
40	40	REVISED TO D1
41	41	REVISED TO D1
42	42	REVISED TO D1
43	43	REVISED TO D1
44	44	REVISED TO D1
45	45	REVISED TO D1
46	46	REVISED TO D1
47	47	REVISED TO D1
48	48	REVISED TO D1
49	49	REVISED TO D1
50	50	REVISED TO D1

DRN: <i>W. J. ...</i>	2/26/76	FIRST USED ON	digital
CHK'D: <i>D. Burwell</i>	3-10-77	TITLE	READ/WRITE BOARD
ENG: <i>...</i>	5-3-77	SCALE	D CS 5411844-0-1 K
PROJ. ENG. <i>...</i>	1/177	SHEET	1 OF 2
PROD. <i>...</i>		DIST.	
NEXT HIGHER ASSY.			
D-VA: 5411844-0-0			

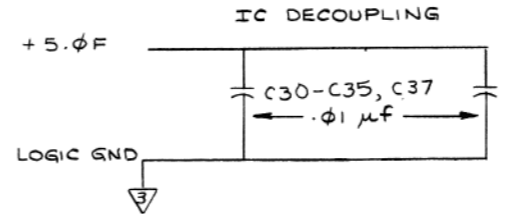
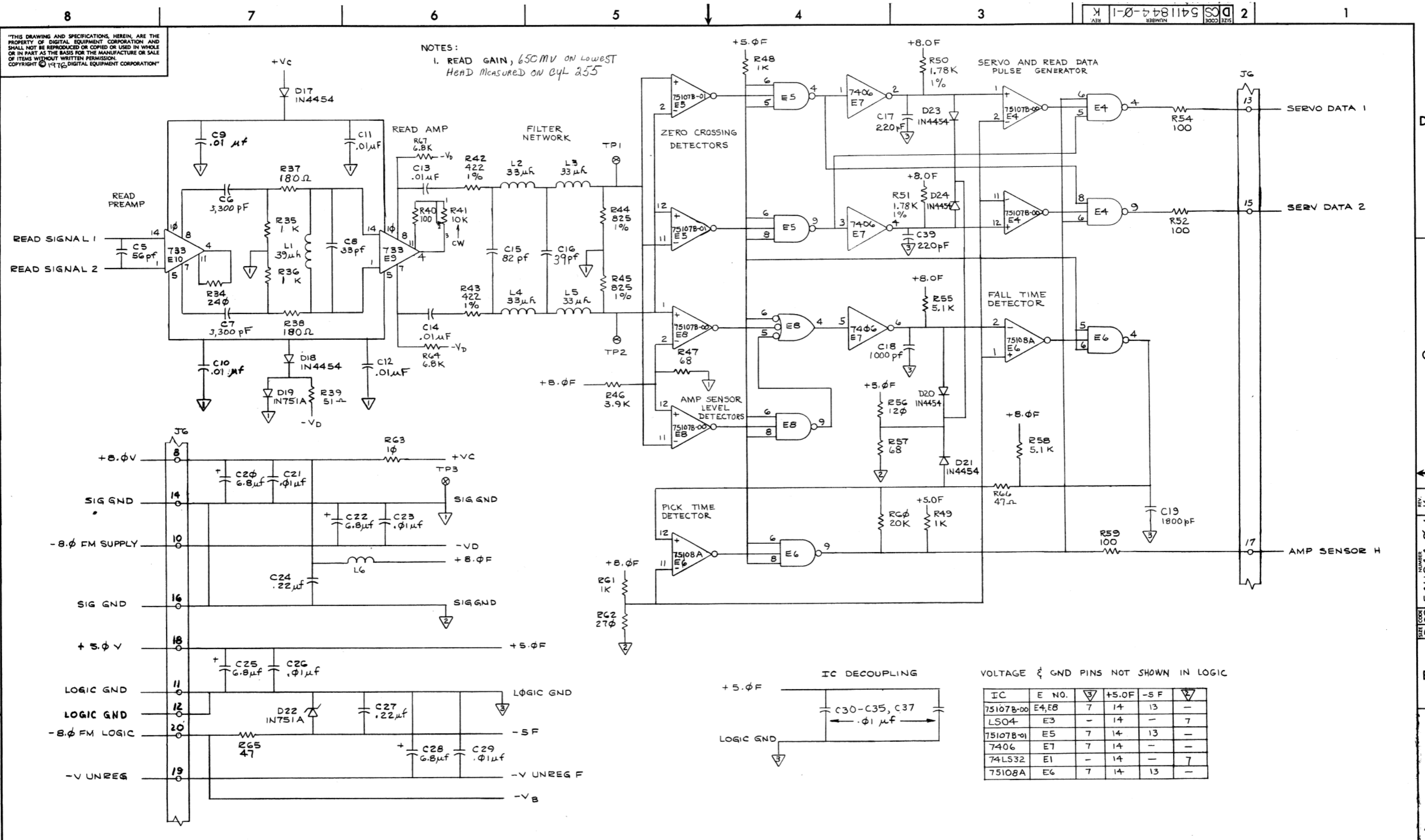
REV. 1114

REV. 1114

digital

"THIS DRAWING AND SPECIFICATIONS, HEREIN, ARE THE PROPERTY OF DIGITAL EQUIPMENT CORPORATION AND SHALL NOT BE REPRODUCED OR COPIED OR USED IN WHOLE OR IN PART AS THE BASIS FOR THE MANUFACTURE OR SALE OF ITEMS WITHOUT WRITTEN PERMISSION. COPYRIGHT © 1976 DIGITAL EQUIPMENT CORPORATION"

NOTES:
1. READ GAIN, 650 MV ON LOWEST HEAD MEASURED ON CYL 255



VOLTAGE & GND PINS NOT SHOWN IN LOGIC

IC	E NO.	V	+5.0V	-5V	V
75107B-00	E4, E8	7	14	13	-
LS04	E3	-	14	-	7
75107B-01	E5	7	14	13	-
7406	E7	7	14	-	-
74LS32	E1	-	14	-	7
75108A	E6	7	14	13	-

REVISIONS		
CHK	CHANGE NO.	REV.

TITLE	SIZE CODE	NUMBER	REV.
READ/WRITE BOARD	DCS	5411844-0-1	K
SCALE	SHEET	DIST.	
1/1	2 OF 2		

DIGITAL EQUIPMENT CORPORATION

PARTS LIST

MADE BY <i>E. Bunnell</i>	CHECKED <i>E. Bunnell</i>	SECTION
DATE <i>8-9-76</i>	DATE <i>2-18-77</i>	ISSUED SECTION
ENG <i>A. Bunnell</i>	PROD <i>Bob Kist</i>	
DATE <i>8/11/76</i>	DATE <i>5/17/77</i>	

ITEM NO.	DRAWING NO.	PART NO.	DESCRIPTION
57		1910741-00	IC, DEC, 7406
58		1912816-00	IC, DEC, 74LS32
59		1910268-01	IC, DEC, 75107B-01
60		1910725-00	IC, DEC, 75108A
61		1209941-06	CONNECTOR, 20 PIN BERG
62		1209941-03	LATCH, CONNECTOR, RIGHT
63		1209941-04	LATCH, CONNECTOR, LEFT
64		1210385-01	PIN, HEAD CONNECTOR, GOLD
65		9007791-00	TERMINAL, TURRET
66			
67		1303067-00	RESISTOR, 422Ω, 1/4W, 1%, MF
68		1300219-00	RESISTOR, 68Ω, 1/4W, 5%, CC
69			
70		1301423-00	RESISTOR, 6.8K, 1/4W, 5%, CC
71		1301401-00	RESISTOR, 750Ω, 1/4W, 5%, CC
72		1141117-00	DIODE, 1N4152
73		1013466-16	CAP .01 μF

ECO. NO.

THIS DRAWING AND SPECIFICATIONS, HEREIN, ARE THE PROPERTY OF DIGITAL EQUIPMENT CORPORATION AND SHALL NOT BE REPRODUCED OR COPIED OR USED IN WHOLE OR IN PART AS THE BASIS FOR THE MANUFACTURE OR SALE OF ITEMS WITHOUT WRITTEN PERMISSION. COPYRIGHT © 1977 DIGITAL EQUIPMENT CORPORATION.

DRB 125

TITLE
READ/WRITE BOARD

ASSY NO.
D-UA-5411844-0-0

SIZE CODE
B PL

NUMBER
5411844-0-0

REV.
J

NOTES:

QUANTITY / VARIATION

QUANTITY	VARIATION	REF DESIGNATION
1		E7
1		E1
1		E5
1		E6
1		J6
1		J6
8		J2, J3
3		TP1, TP2, TP3
2		R42, R43
4		R47, R57, R7, R8
2		R64, R67
1		R53
1		D2
2		C13, C14

INSERTION PARTS LIST DATA BASE REV

DIGITAL EQUIPMENT CORPORATION

PARTS LIST

MADE BY <i>E. Bunnell</i>	CHECKED <i>E. Bunnell</i>	SECTION
DATE <i>8-9-76</i>	DATE <i>2-18-77</i>	ISSUED SECTION
ENG <i>A. Bunnell</i>	PROD <i>Bob Kist</i>	
DATE <i>8/11/76</i>	DATE <i>5/17/77</i>	

ITEM NO.	DRAWING NO.	PART NO.	DESCRIPTION
1	D-MD-5011843-0-0	5011843	ETCHED CIRCUIT BOARD
2		1001610-00	CAPACITOR .01 μF 50V CER AX
3		1005306-00	CAPACITOR 6.8 μF 35V TANT
4		1000010-00	CAPACITOR 39 pF 100V MICA
5		1000015-00	CAPACITOR 82 pF 100V MICA
6		1013466-04	CAPACITOR 33 pF 50V CER AX
7		1013466-05	CAPACITOR 56pF 50V CER AX
8		1013466-07	CAPACITOR 220 pF 50V CER AX
9		1013466-09	CAPACITOR 1,000 pF 50V CER AX
10		1013466-11	CAPACITOR .22 μF 50V CER AX
11		1013963-00	CAPACITOR 3,300 pF 500V #5U
12		1011740-02	CAPACITOR 1800 pF 50V CER RAD
13		1109943-00	DIODE 1N4733A
14		1113953-00	DIODE 1N523D
15		11110994-00	DIODE 1N751A
16		1111577-00	DIODE 1N4454
17		1300271-00	RESISTOR 220Ω 1/4W 5% CC
18		1300229-00	RESISTOR 100Ω 1/4W 5% CC
19		1300232-00	RESISTOR 100Ω 1W 5% CC
20		1300247-00	RESISTOR 120Ω 1/4W 5% CC
21		1300365-00	RESISTOR 1K 1/4W 5% CC
22		1300444-00	RESISTOR 3.9K 1/4W 5% CC
23		1300447-00	RESISTOR 4.7K 1/4W 5% CC
24		1300479-00	RESISTOR 10K 1/4W 5% CC
25		1301317-00	RESISTOR 10Ω 1/4W 5% CC
26		1302112-00	RESISTOR 1.78K 1/4W 1% MF
27		1300195-00	RESISTOR 33Ω 1/2W 5% CC
28		1301972-00	RESISTOR 270Ω 1/4W 5% CC

ECO. NO.

THIS DRAWING AND SPECIFICATIONS, HEREIN, ARE THE PROPERTY OF DIGITAL EQUIPMENT CORPORATION AND SHALL NOT BE REPRODUCED OR COPIED OR USED IN WHOLE OR IN PART AS THE BASIS FOR THE MANUFACTURE OR SALE OF ITEMS WITHOUT WRITTEN PERMISSION. COPYRIGHT © 1977 DIGITAL EQUIPMENT CORPORATION.

DRB 125

TITLE
READ/WRITE BOARD

ASSY NO.
D-UA-5411844-0-0

SIZE CODE
B PL

NUMBER
5411844-0-0

REV.
K

NOTES:

QUANTITY / VARIATION

QUANTITY	VARIATION	REF DESIGNATION
1		C9, C10, C11, C12, C21, C23, C26, C29, C30, C31, C32, C33, C34, C20, C22, C25, C28
16		C16
4		C15
1		C8
1		C5
1		C1, C2, C4, C17
5		C3, C18
2		C24, C27
2		C6, C7
1		C19
1		D16
1		D1
2		,D19, D22
19		,D3, D4, D5, D6, D7, D8, D9, D10, D11, D12, D13, D14, D15, D17, D18, D20, D21, D23, D24
1		R5
4		R40, R52, R54, R59
2		R11, R12
1		R56
8		R13, R14, R35, R36, R48, R49, R61, R66
1		R46
5		R17, R19, R20, R22, R33
1		R31
1		R63
2		R50, R51
1		R6
1		R62

INSERTION PARTS LIST DATA BASE REV

DIGITAL EQUIPMENT CORPORATION

PARTS LIST

MADE BY <i>E. Bunnell</i>	CHECKED <i>E. Bunnell</i>	SECTION
DATE <i>8-9-76</i>	DATE <i>2-18-77</i>	ISSUED SECTION
ENG <i>A. J. S. (S)</i>	DATE <i>A. J. S. (S)</i>	

ITEM NO.	DRAWING NO.	PART NO.	DESCRIPTION
29		1312930-00	RESISTOR 5.1K 1/4W 5% CC
30		1302388-00	RESISTOR 2K 1/4W 5% CC
31		1302391-00	RESISTOR 20K 1/4W 5% CC
32		1300398-00	RESISTOR 1.8K 1/4W 5% CC
33		1314863-00	RESISTOR 210Ω 1/4W 1% MF
34		1302956-00	RESISTOR 196Ω 1/4W 1% MF
35		1313349-00	RESISTOR 33K 1/4W 5% CC
36		1305143-00	RESISTOR 825Ω 1/4W 1% MF
37		1305145-00	RESISTOR 2.80K 1/4W 1% MF
38		1305346-00	RESISTOR 27K 1/4W 5% CC
39		1312928-00	RESISTOR 5Ω 1/4W 5% CC
40		1301322-00	RESISTOR 180Ω 1/4W 5% CC
41		1313469-00	RESISTOR 240Ω 1/4W 5% CC
42		1313840-00	RESISTOR 4.53K 1/4W 1% MF
43		1309143-10	POTENTIOMETER, 10K
44		1501913-00	TRANSISTOR 2N2904A T05
45		1513489-00	TRANSISTOR 2N4401 T092
46		1513490-00	TRANSISTOR 2N4403 T092
47		1210001-00	HEATSINK, T05
48		9007201-00	TRANSIPAD
49		9008268-00	THERMAL COMPOUND
50		1611257-01	CHOKE CERAMIC BEAD PERMEABILITY 850
51		1613898-01	INDUCTOR 33 μH
52		1613898-02	INDUCTOR 39 μH
53		1910268-00	IC, DEC, 75107B-00
54		1912803-00	IC, DEC, LS04
55		1910544-00	IC, DEC, 74S74
56		1910644-00	IC, DEC, 733

THIS DRAWING AND SPECIFICATIONS HEREIN ARE THE PROPERTY OF DIGITAL EQUIPMENT CORPORATION AND SHALL NOT BE REPRODUCED OR COPIED OR USED IN WHOLE OR IN PART AS THE BASIS FOR THE MANUFACTURE OR SALE OF ITEMS WITHOUT WRITTEN PERMISSION. COPYRIGHT © 1977 DIGITAL EQUIPMENT CORPORATION.

DRB 125

TITLE
READ/WRITE BOARD

ASSY NO. D-UA-5411844-0-0
SHEET 2 OF 3

SIZE CODE B PL
NUMBER 5411844-0-0

REV. K

NOTES:

REF DESIGNATION

R58, R55
R9, R10, R16, R18, R21, R23
R60
R32
R1, R2
R3, R4
R15
R44, R45
R24, R25, R27, R29
R30,
R39;
R37, R38
R34,
R26, R27
R41
Q1, Q2, Q3
Q6, Q7, Q8
Q4, Q5
(Q1, Q2, Q3)
(Q1, Q2, Q3)
(Q1, Q2, Q3)
L6
L2, L4, L3, L5
L1
E4, E8
E3
E2
E9, E10

QUANTITY / VARIATION

5411844-0-0
2
6
1
1
2
2
1
2
4
1
1
2
1
2
1
1
3
3
2
3
3
AR
1
4
1
2
1
1
2
1
2

DIGITAL EQUIPMENT CORPORATION

PARTS LIST

MADE BY <i>E. Bunnell</i>	CHECKED <i>E. Bunnell</i>	SECTION
DATE <i>8-9-76</i>	DATE <i>2-18-77</i>	ISSUED SECTION
ENG <i>A. J. S. (S)</i>	DATE <i>A. J. S. (S)</i>	

ITEM NO.	DRAWING NO.	PART NO.	DESCRIPTION
57		1910741-00	IC, DEC, 7406
58		1912816-00	IC, DEC, 74LS32
59		1910268-01	IC, DEC, 75107B-01
60		1910725-00	IC, DEC, 75108A
61		1209941-06	CONNECTOR, 20 PIN BERG
62		1209941-03	LATCH, CONNECTOR, RIGHT
63		1209941-04	LATCH, CONNECTOR, LEFT
64		1210385-01	PIN, HEAD CONNECTOR, GOLD
65		9007791-00	TERMINAL, TURRET
66		1300202-00	RESISTOR, 47Ω, 1/4W, 5%
67		1303067-00	RESISTOR, 422Ω, 1/4W, 1%, MF
68		1300219-00	RESISTOR, 68Ω, 1/4W, 5%, CC
69			
70		1301423-00	RESISTOR, 6.8K, 1/4W, 5%, CC
71		1301401-00	RESISTOR, 750Ω, 1/4W, 5%, CC
72		1114117-00	DIODE, 1N4152
73		1013466-16	CAF .01 U1

THIS DRAWING AND SPECIFICATIONS HEREIN ARE THE PROPERTY OF DIGITAL EQUIPMENT CORPORATION AND SHALL NOT BE REPRODUCED OR COPIED OR USED IN WHOLE OR IN PART AS THE BASIS FOR THE MANUFACTURE OR SALE OF ITEMS WITHOUT WRITTEN PERMISSION. COPYRIGHT © 1977 DIGITAL EQUIPMENT CORPORATION.

DRB 125

TITLE
READ/WRITE BOARD

ASSY NO. D-UA-5411844-0-0
SHEET 3 OF 3

SIZE CODE B PL
NUMBER 5411844-0-0

REV. K

NOTES:

REF DESIGNATION

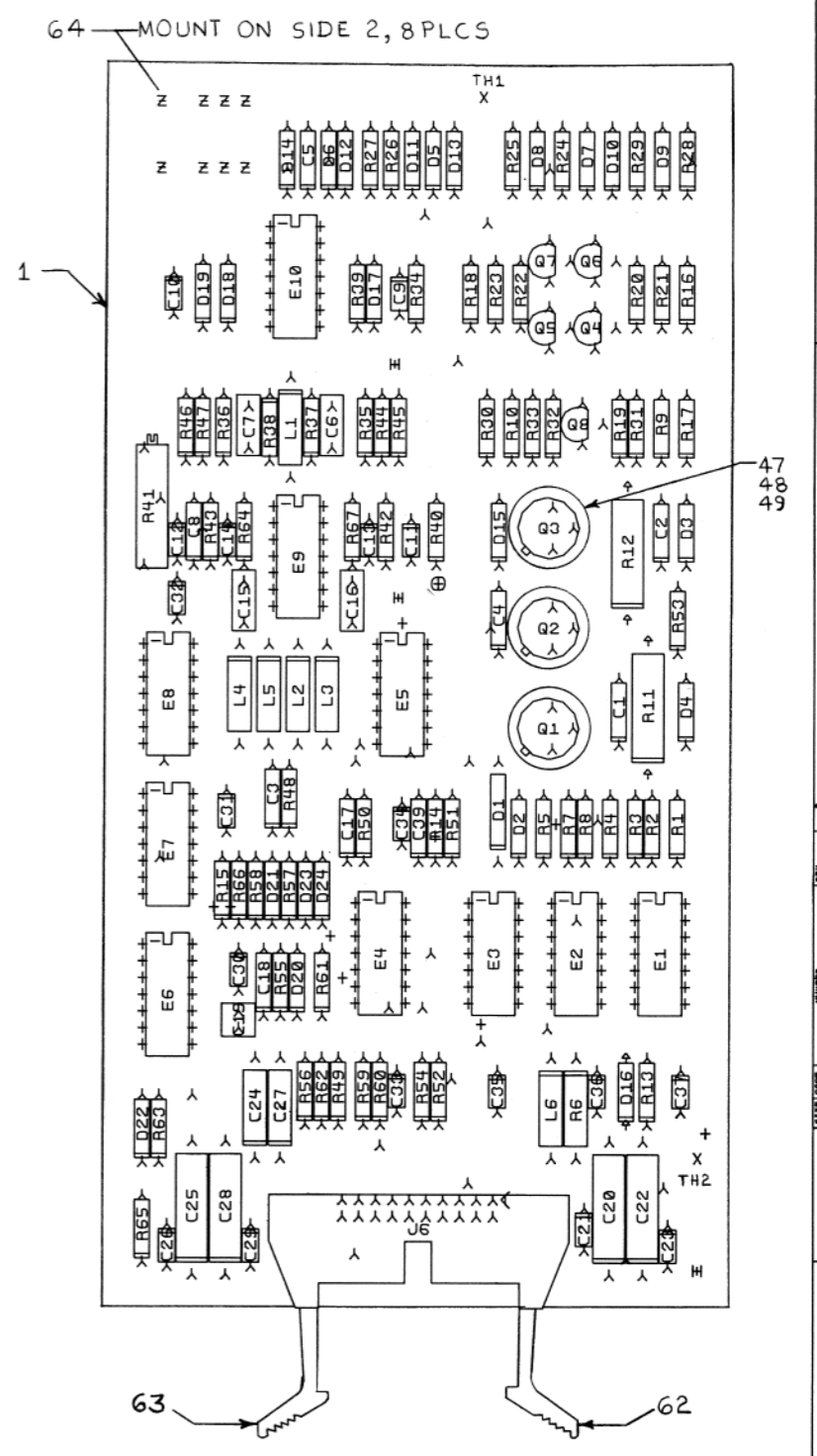
E7
E1
E5
E6
J6
J6
J6
J2, J3
TP1, TP2 TP3
R 65
R42, R43
R47, R57, R7, R8
R64, R67
R53
D2
C12, C14

QUANTITY / VARIATION

5411844-0-0
1
1
1
1
1
1
1
8
3
1
2
4
2
1
1
1
2

THIS DRAWING AND SPECIFICATIONS, HEREIN, ARE THE PROPERTY OF SPECTRA EQUIPMENT CORPORATION AND SHALL NOT BE REPRODUCED OR COPIED OR USED IN WHOLE OR IN PART AS THE BASIS FOR THE MANUFACTURE OR SALE OF ITEMS WITHOUT WRITTEN PERMISSION.
 COPYRIGHT © 1977 SPECTRA EQUIPMENT CORPORATION

COMPONENT SIDE VIEW



- NOTES:
- 8 HOLES .04x5 (+.000-.005) MAYNARD ONLY
 - DIGITAL LOGO TO BE PLACED MANUALLY

CHK/CHANGE NO	REV	DATE	BY
5411844-0	3	11-10-77	H
REVISION	3		
REDAWN			
P. BURNELL	11-10-77		
G. REICHENBERG	11-10-77		

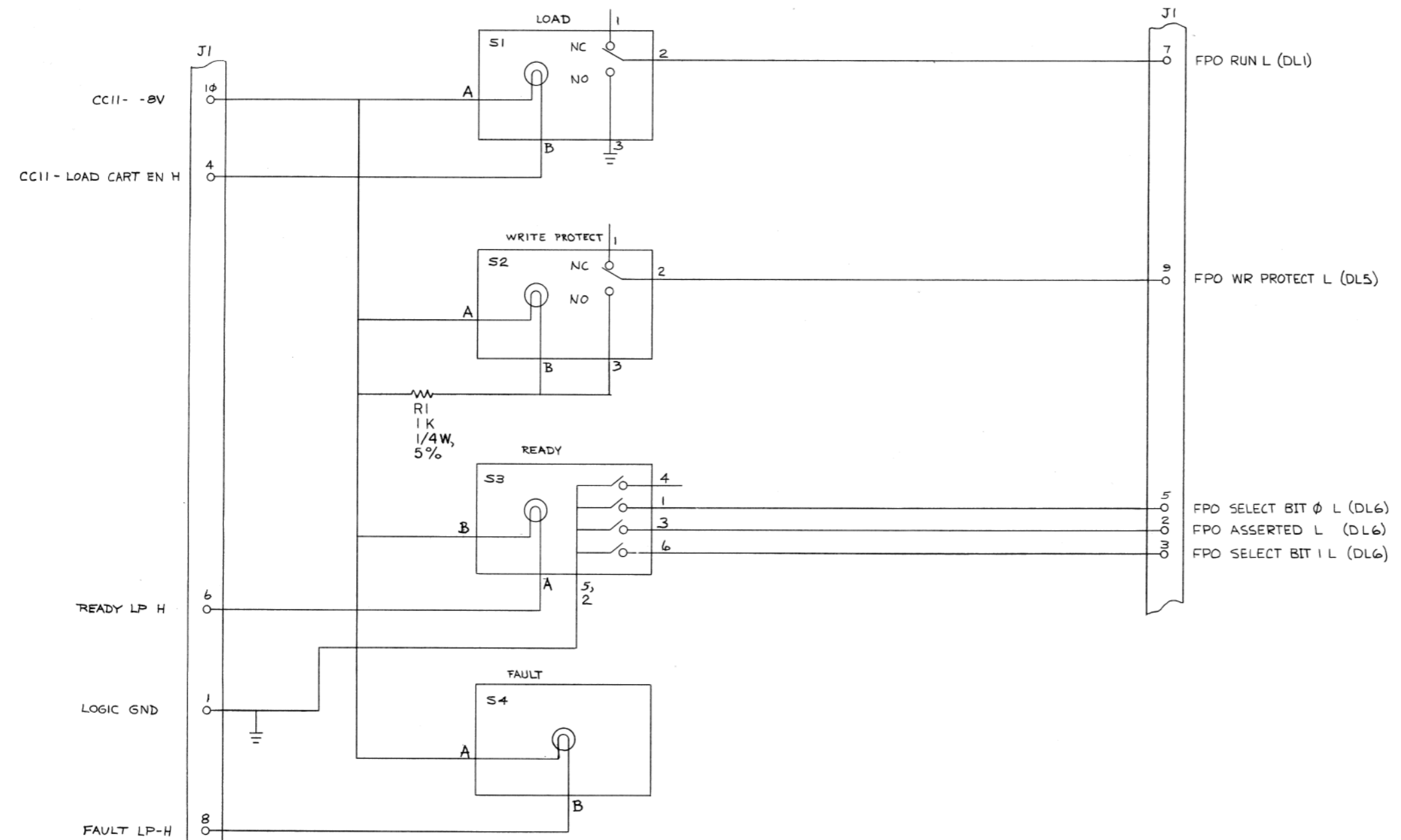
SYMBOL	HOLE DATA								
	+	λ	X	†	Z	H	Δ	□	*
FIN HOLE SIZE	.038	.042	.156	.055	.032	.101			
PLATED	X	X	X	X	X	X			
NON PLATED									
QTY.	150	338	2	6	8	3			
○-OFF GRD HLE	1								
DRILL SIZE									
.025 GRID UNLESS INDICATED									

ETCH REV. E-PI
P.C. DESIGN DATA BASE REV. E.L

SIGNATURES		DATE	digital
DRN. L. PETERSON		11-OCT-77	
CHK'D. <i>W. J. ...</i>		12-10-77	
ENG. <i>C. ...</i>		7-28-77	TITLE
PROJ. ENG. <i>P. ...</i>		7-28-77	READ/WRITE BOARD
PROD. <i>Bob Kirk / sp</i>		1-11-78	
SCALE 2:1	SIZE CODE	NUMBER	REV
SHT. 1 OF 3	D UA 5411844-0-0	H	H
NEXT HIGHER ASSY. B-DD-5411844-0			

5411844-0-0
 H
 B
 C
 D

"THIS DRAWING AND SPECIFICATIONS, HEREIN, ARE THE PROPERTY OF DIGITAL EQUIPMENT CORPORATION AND SHALL NOT BE REPRODUCED OR COPIED OR USED IN WHOLE OR IN PART AS THE BASIS FOR THE MANUFACTURE OR SALE OF ITEMS WITHOUT WRITTEN PERMISSION. COPYRIGHT © 1976, DIGITAL EQUIPMENT CORPORATION"



NOTE:
1. ALL LAMPS ARE GE-73 TYPE

REV.	CHG. NO.	DATE	BY	CHK.
E	5411846-0-001	9-28-77	G. REICHENBERG	
F	5411846-CZ002	9-28-77	G. REICHENBERG	
I	5411846-CZ003	9-28-77	M. ZARICH	

DRN. <i>H. Hadjipanis</i>	27 FEB 76	FIRST USED ON		digital
CHK'D. <i>P. Burdell</i>	1-11-77	TITLE	FRONT PANEL	
ENG. <i>P. Burdell</i>	3-7-77	SIZE	D	CODE
PROJ. ENG. <i>P. Burdell</i>	3-10-77	NUMBER	5411846-0-1	REV.
PROD. <i>P. Burdell</i>	3-9-77	DIST.		H
NEXT HIGHER ASSY.				
SCALE				
SHEET	1 OF 1			

B.M. P.118
DEC FORM NO. 100-D

DIGITAL EQUIPMENT CORPORATION

PARTS LIST

MADE BY STEVE MARLOW
 DATE 7 APRIL 1976
 ENG G. REICHENBERG
 DATE 3-9-77

CHECKED PHYLLIS BURNELL
 DATE 10 January 1977
 PROD. DATE 3-9-77

SECTION
 ISSUED SECTION

ITEM NO.	DRAWING NO.	PART NO.	DESCRIPTION
1	D-MD-5011845-0-0	5011845	ETCH BOARD
2		1209941-05	CONNECTOR, 10 PIN BERG
3		1209941-04	CONNECTOR LATCH - LEFT
4		1209941-03	CONNECTOR LATCH - RIGHT
5		1212690-01	SWITCH, DRIVE SELECT
6		1212691-00	SWITCH CAP, DRIVE SELECT UNIT 0
7		1212714-05	SWITCH CAP, LOAD
8		1212714-01	SWITCH CAP, WRITE PROTECT
9		1212714-02	SWITCH CAP, FAULT
10		1212715-01	INDICATOR, FAULT
11		1212717-01	SWITCH, PB MAINTAINED
12		1212716-01	BULB, 14V
13		1213188-01	SWITCH MOUNTING BRACKET, 4 POS.
14		1300365	RESISTOR, 1K, 1/4W, 5%
15		9006732	EYELET, GS4-7
16		9107560-01	BUS WIRE, JUMPER
17		9006655	WASHER

QUANTITY / VARIATION		NOTES:
5411846-0-0		
1		J1
1		
1		S3
1		S3
1		S1
1		S2
1		S4
1		S4
1		S1, S2
4		
1		R1
1		W1, W2
2		
2		
2		

E.C.O. NO. 100100

THIS DRAWING AND SPECIFICATIONS, HEREIN, ARE THE PROPERTY OF DIGITAL EQUIPMENT CORPORATION AND SHALL NOT BE REPRODUCED OR COPIED OR USED IN WHOLE OR IN PART AS THE BASIS FOR THE MANUFACTURE OR SALE OF ITEMS WITHOUT WRITTEN PERMISSION. COPYRIGHT © 1977, DIGITAL EQUIPMENT CORPORATION.

ASSY NO.
D-UA-5411846-0-0

SIZE CODE
B PL

NUMBER
5411846-0-0

REV.
E

SHEET 1 OF 1

INSERTION PARTS LIST DATA BASE REV

FRONT PANEL

DRB 125

DIGITAL EQUIPMENT CORPORATION
 PARTS LIST

MADE BY S. MARLOW
 DATE 7 APR 76
 ENG G. REICHENBERG
 DATE 7 MAR 77

CHECKED P. BURNELL
 DATE 10 JAN 77
 PROD. DATE 9 MAR 77

SECTION
 ISSUED SECTION

ITEM NO.	DRAWING NO.	PART NO.	DESCRIPTION
1	D-MD-5011845-0-0	5011845	ETCH BOARD
2		1209941-05	CONN., 10 PIN BERG
3		1209941-04	CONN., LATCH-LEFT
4		1209941-03	CONN., LATCH-RIGHT
5		1212690-02	SWITCH, UNIT SELECT
6		1212691-00	SWITCH CAP., DRIVE SELECT UNIT 0
7		1212714-05	SWITCH CAP., LOAD
8		1212714-01	SWITCH CAP., WRITE PROTECT
9		1212714-02	SWITCH CAP., FAULT
10		1212716-02	INDICATOR, FAULT DISPLAY
11		1212717-05	SWITCH, PB
12		1212716-01	BULB, 14V
13		1213188-01	SWITCH MOUNTING BRACKET, 4 POS.
14		1300365	RES., 1K, 1/4W, 5%
15		9006732	EYELET, GS4-7
16		9107560-01	BUS WIRE, JUMPER
17		9006655	WASHER

QUANTITY / VARIATION		NOTES:
5411846-0-0		
1		J1
1		
1		S3
1		S3
1		S1
1		S2
1		S4
1		S4
1		S1, S2
2		
1		R1
1		W1, W2
2		
2		
2		

E.C.O. NO. 100100

THIS DRAWING AND SPECIFICATIONS, HEREIN, ARE THE PROPERTY OF DIGITAL EQUIPMENT CORPORATION AND SHALL NOT BE REPRODUCED OR COPIED OR USED IN WHOLE OR IN PART AS THE BASIS FOR THE MANUFACTURE OR SALE OF ITEMS WITHOUT WRITTEN PERMISSION. COPYRIGHT © 1977, DIGITAL EQUIPMENT CORPORATION.

ASSY NO.
D-UA-5411846-0-0

SIZE CODE
B PL

NUMBER
5411846-0-0

REV.
F

SHEET 1 OF 1

INSERTION PARTS LIST DATA BASE REV

FRONT PANEL

DRB 125

DIGITAL EQUIPMENT CORPORATION PARTS LIST

MADE BY S. MARLOW DATE 7 APR 76	CHECKED P. BURNELL DATE 10 JAN 77
ENG G. REICHENBERG DATE 7 MAR 77	PROD L. KIRK DATE 9 MAR 77

ITEM NO.	DRAWING NO.	PART NO.	DESCRIPTION
1	D-MD-5011845-0-0	5011845	ETCH BOARD
2		1209941-05	CONN., 10 PIN BERG
3		1209941-04	CONN., LATCH-LEFT
4		1209941-03	CONN., LATCH-RIGHT
5		1212690-02	SWITCH, UNIT SELECT
6		1212691-00	SWITCH CAP., DRIVE SELECT UNIT 0
7		1212714-05	SWITCH CAP., LOAD
8		1212714-01	SWITCH CAP., WRITE PROTECT
9		1212714-02	SWITCH CAP., FAULT
10		1212715-02	INDICATOR, FAULT DISPLAY
11		1212717-05	SWITCH, PB
12		1212716-01	BULB, 14V
13		1213188-01	SWITCH MOUNTING BRACKET, 4 POS.
14		1300365	RES., 1K, 1/4W, 5%
15		9006732	EYELET, 6SA-7
16		9107560-01	BUS WIRE, JUMPER
17		9006655	WASHER

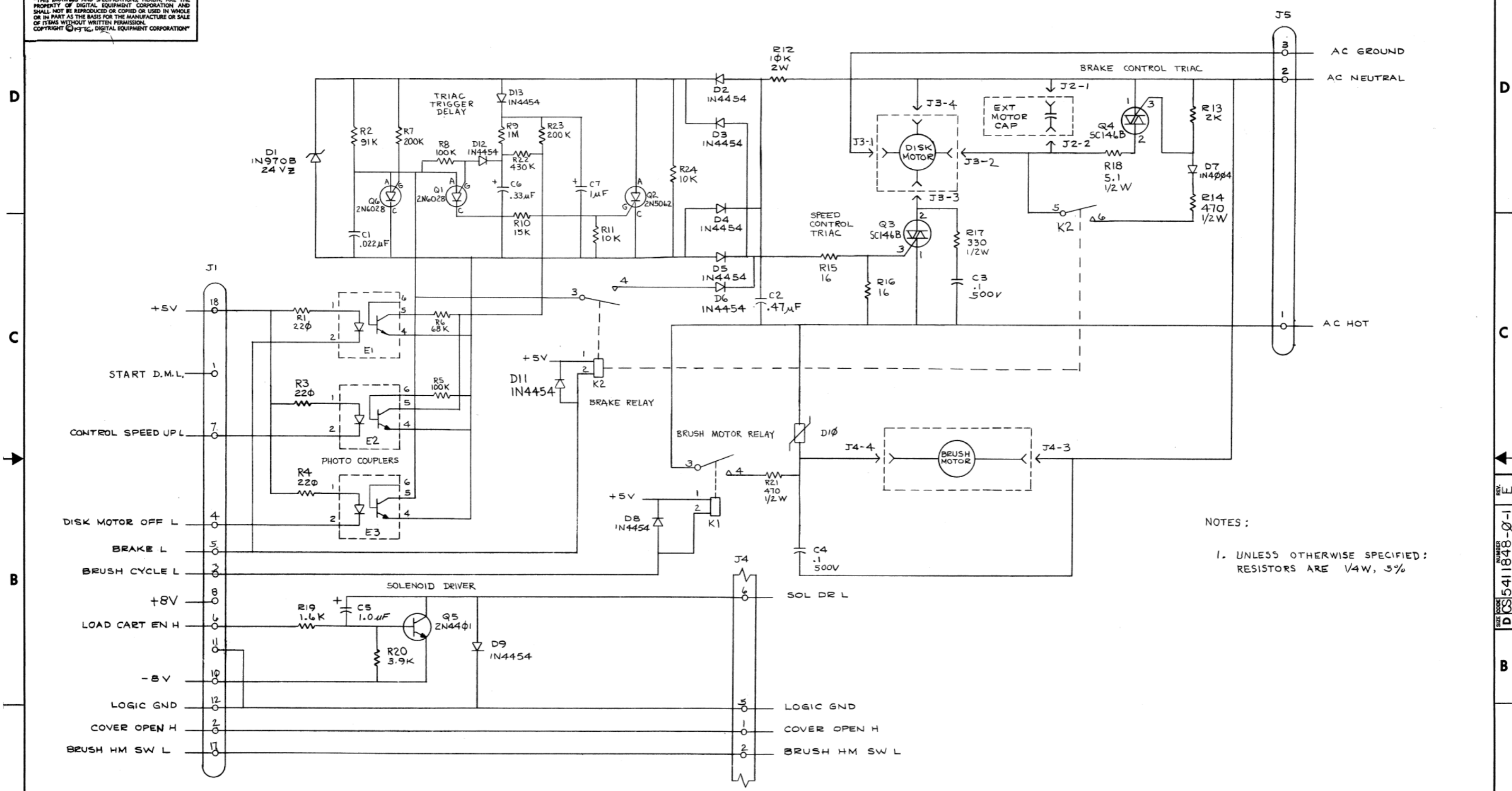
NOTES:

QUANTITY / VARIATION	REF DESIGNATION
5411846-0-0	
1	.J1
1	
1	
1	S3
1	S3
1	S1
1	S2
1	S4
1	S4
2	S1, S2
1	
1	R1
2	
2	W1, W2
2	

E.C.O. NO. 5411846-0-0 REV. 3 DATE 12 MAR 79	C.M. 21 MAR 79 C.M. 5411846-0-0	TITLE FRONT PANEL	ASSY NO. D-11A-5411846-0-0	SIZE CODE B PL	NUMBER 5411846-0-0	REV. H
			SHEET 1 OF 1	INSERTION PARTS LIST DATA BASE REV		

THIS DRAWING AND SPECIFICATIONS, HEREIN, ARE THE PROPERTY OF DIGITAL EQUIPMENT CORPORATION AND SHALL NOT BE REPRODUCED OR COPIED OR USED IN WHOLE OR IN PART AS THE BASIS FOR THE MANUFACTURE OR SALE OF ITEMS WITHOUT WRITTEN PERMISSION. COPYRIGHT © 1979, DIGITAL EQUIPMENT CORPORATION.

THIS DRAWING AND SPECIFICATIONS HEREIN ARE THE PROPERTY OF DIGITAL EQUIPMENT CORPORATION AND SHALL NOT BE REPRODUCED OR COPIED OR USED IN WHOLE OR IN PART AS THE BASIS FOR THE MANUFACTURE OR SALE OF ITEMS WITHOUT WRITTEN PERMISSION. COPYRIGHT © 1976, DIGITAL EQUIPMENT CORPORATION



NOTES:
1. UNLESS OTHERWISE SPECIFIED:
RESISTORS ARE 1/4W, 5%

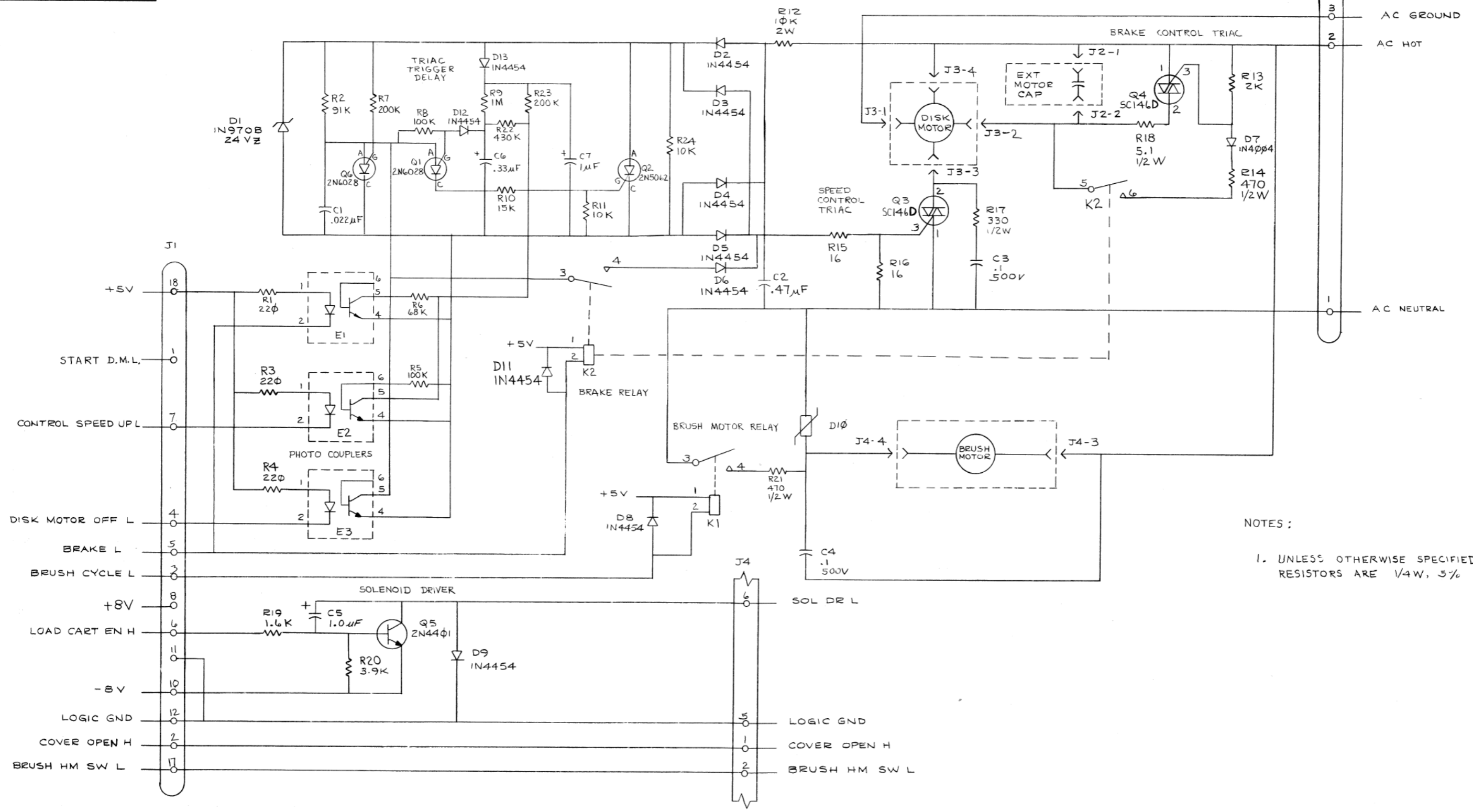
REV.	CHG.	BY	DATE
1	RELEASED AT	PHYLIS BURNELL	
2	REV C EQUAL TO	G. FISCHENBERG	
3	C1 PLUS FIELD	P. BURNELL	
4	SERVICE ANNO-		
5	TATION		
6	SHIBAB-0001		
7	PHYLIS BURNELL		
8	G. FISCHENBERG		
9	P. BURNELL		
10			

DRN. C. METZGER 8/16/76	FIRST USED ON	RLO1	digital
CHK'D. B. BURNELL 1-14-77	TITLE	AC SERVO	
ENG. J. BURNELL 6-8-77	PROJECT	D. 2.5.1.4777	
PROJ. ENG. J. BURNELL 6/7/77	NEXT HIGHER ASSY.		
D-UA-5411848-0-0	SIZE	CODE	NUMBER
SCALE	D	CS	5411848-0-1
SHEET 1	OF 1	DIST.	REV. E

"THIS DRAWING AND SPECIFICATIONS, HEREIN, ARE THE PROPERTY OF DIGITAL EQUIPMENT CORPORATION AND SHALL NOT BE REPRODUCED OR COPIED OR USED IN WHOLE OR IN PART AS THE BASIS FOR THE MANUFACTURE OR SALE OF ITEMS WITHOUT WRITTEN PERMISSION. COPYRIGHT © 1970, DIGITAL EQUIPMENT CORPORATION"

D
C
B
A

8
7
6
5
4
3
2
1



NOTES:
1. UNLESS OTHERWISE SPECIFIED:
RESISTORS ARE 1/4W, 5%

REV.	CHG.	NO.	DATE	BY	CHK'D
C					
D					
E					
F					

PHYLIS BURNELL
G. FEICHERBERG
5411848-CX002
P. BURNELL
5411848-CZ003
M. ZARICH
M. Zarich

DRN. <i>3/16/76</i>	FIRST USED ON	digital
CHK'D <i>3/14/77</i>	RLO	
ENG. <i>6-9-77</i>	TITLE	AC SERVO
PROJ. ENG. <i>6/1/77</i>		
PROD. <i>4/7/77</i>		
NEXT HIGHER ASSY.		
D-UA-5411848-0-0	SIZE CODE	NUMBER
SCALE <i>+</i>	D	CS 5411848-0-1
SHEET 1 OF 1	DIST.	REV. F

REV. F 5411848-0-1 CS D SIZE CODE NUMBER

A

QTY PER VARIATION REFERENCE DESIGNATOR

LINE ITEM DOCUMENT NUMBER

DESCRIPTION

PART NUMBER

LINE	ITEM	DOCUMENT NUMBER	DESCRIPTION	PART NUMBER	QTY PER VARIATION	REFERENCE DESIGNATOR
1	D-MD-5011847-0-0		ETCH CRKT BRD	5011847-00	1	
2			.022 MFD 50V 10% 2C067 CER.		1	C1
3			.47 MFD 50V XZ		1	C2
4			.1 MFD 500V +80 -20% CER.		2	C3,C4
5			1001776-00		2	C5,C7
6			1N 970B VZ= 24.0 5% .40W Y		1	D1
7			1N 4454 TR= 4NS PIV= 50 S		10	D2-D6,D8,D9,D11-D13
8			1N 4004 PIV=400 I= 1A D041 SF		1	D7
9			OPTO COUPLED ISOLATOR		1	E1-E3
10			RLY, REED 5V COIL, DPDT		3	K2
11			RLY, REED, 5V COIL, SPDT		1	K1
12			VP 130A10 VOLT. SUPPRESS. 130VAC		1	D10
13			HEADER. 100 20POS RT ANGLE		1	J1
14			HEADER 2POS		1	J2
15			HEADER 3POS		1	J5
16			HEADER 4POS		1	J3
17			HEADER 6POS		1	J4
18			470 1/2W 5% CC		2	R14,R21
19			220 1/4W 5% CC		3	R1,R3,R4
20			5.1 1/2W 5% CC		1	R18
21			68 K 1/4W 5% CC		1	R6
22			100 K 1/4W 5% CC		2	R5,R8
23			3.9 K 1/4W 5% CC		2	R20
24			200 K 1/4W 5% CC		1	R7,R23
25			15 K 1/4W 5% CC		1	R10
26			10 K 1/4W 5% CC		2	R11,R24
27			10 K 2W 10% CC		1	R12
28			16 1/4W 5% CC		2	R15,R16
29			430 K 1/4W 5% CC		1	R22

REVISION HISTORY

BASIC PART NO: 5411848

ENG	ECO NUMBER	REV	SECTION A OF A	DRN	H. RICHER	DATE: 23 MAR 76	D I G I T A L
---	INITIAL	IE	SECTION, VARIATION INDEX	CHK'D:	P. BURNELL	DATE: 10 JAN 77	TITLE
---	MZ 15411848-CZ003	IF	LAJ 00				AC SERVO
---	15409		CBJ	DES. ENG:	P. BADUM	DATE: 7 JUN 77	PARTS LIST
---	15409		CCJ	RESP. ENG.:	P. BADUM	DATE: 7 JUN 77	DOCUMENT NUMBER
---			CDJ	MFG. ENG.:	D. LESAGE	DATE: 7 JUN 77	SIZE CODE NUMBER
---			CEJ	ASSEMBLY NUMBER:			REV
---			CFJ	D-UA-5411848-0-0			FILE NAME:
---			CHJ				Z0491.PLS
---			CJJ				EDIT #
---			CKJ				3
---			CLJ				
---			CMJ				
---			CNJ				

*THIS DRAWING AND SPECIFICATIONS HEREIN, ARE THE PROPERTY OF DIGITAL EQUIPMENT CORPORATION AND SHALL NOT BE REPRODUCED OR COPIED OR USED IN WHOLE OR IN PART AS THE BASIS FOR THE MANUFACTURE OR SALE OF ITEMS WITHOUT WRITTEN PERMISSION. COPYRIGHT (C) 1979. DIGITAL EQUIPMENT CORPORATION *

AUTOMATED BY PRTLST.3K(27)

PARTS LIST

SHEET A2 OF A2

LINE ITEM DOCUMENT NUMBER DESCRIPTION PART NUMBER QTY PER VARIATION REFERENCE DESIGNATOR

LINE	ITEM	DOCUMENT NUMBER	DESCRIPTION	PART NUMBER	QTY PER VARIATION	REFERENCE DESIGNATOR
30			330 1/2W 5% CC	1300296-00	1	R17
31			2 K 1/4W 5% CC	1302388-00	1	R13
32			1 M 1/4W 5% CC	1309595-00	1	R9
33			1.6 K 1/4W 5%	1303176-00	1	R19
34			HEADER RT ANGLE LEFT L	1209941-03	1	J1
35			2N 6028 UJT 300MW R67B RT ANGLE, RIGHT	1209941-04	1	J1
36			1510877-00	1510877-00	2	G1,G6
37			1110968-00	1110968-00	1	G2
38			2N 5062 SCR@100V I=.8A T092	1510070-00	1	G3,G4
39			TRIAC@400V, I> 8A #RCA40669 M	1513489-00	2	G5
40			2N 4401 NPN 350MW SI 40 20	9006557-00	1	G3,G4
41			NUT, KEP 4-40X 1/4 AF	9006010-01	2	G3,G4
42			SCREW, PAN, PHIL, 4-40X 5/16	9006655-00	2	G3,G4
43			WASHER, FLAT, .312 O.D. X .125 I		-	
44			*** THIS ITEM IS NOT USED ***		-	
45			.33 MFD 35V 10% .150D S.TA	1000002-04	1	C6
45			91 K 1/4W 5% CC	1314650-00	1	R2

D I G I T A L TITLE AC SERVO

SECTION A OF A

SIZE CODE DOCUMENT NUMBER REV

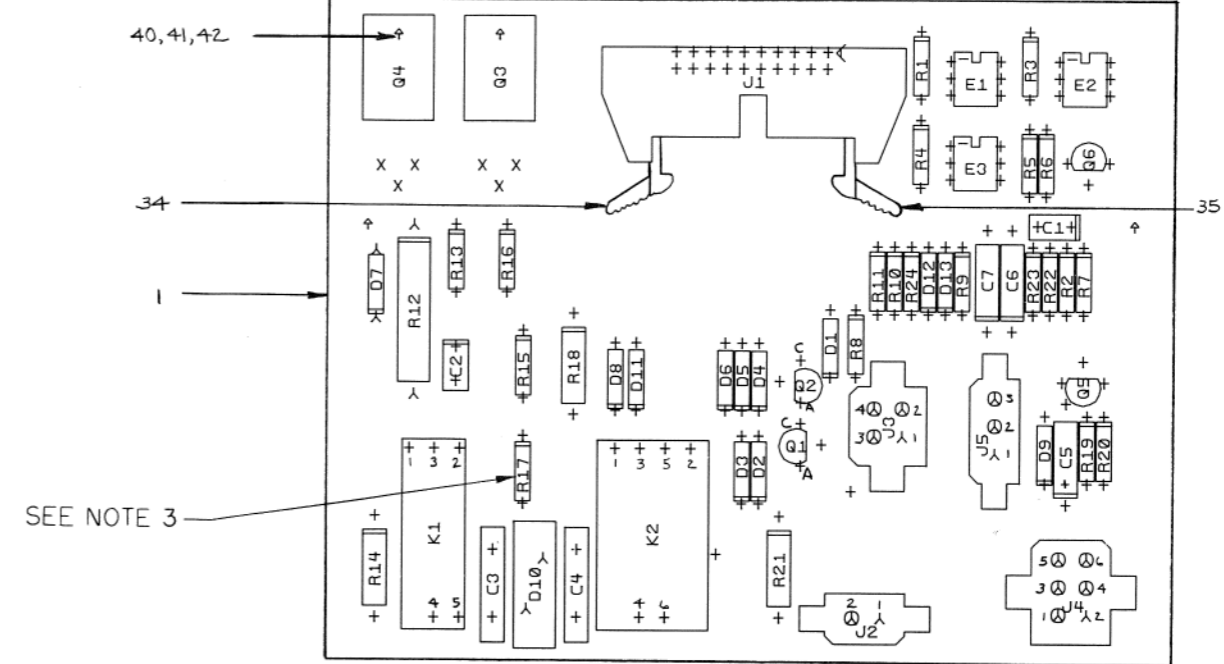
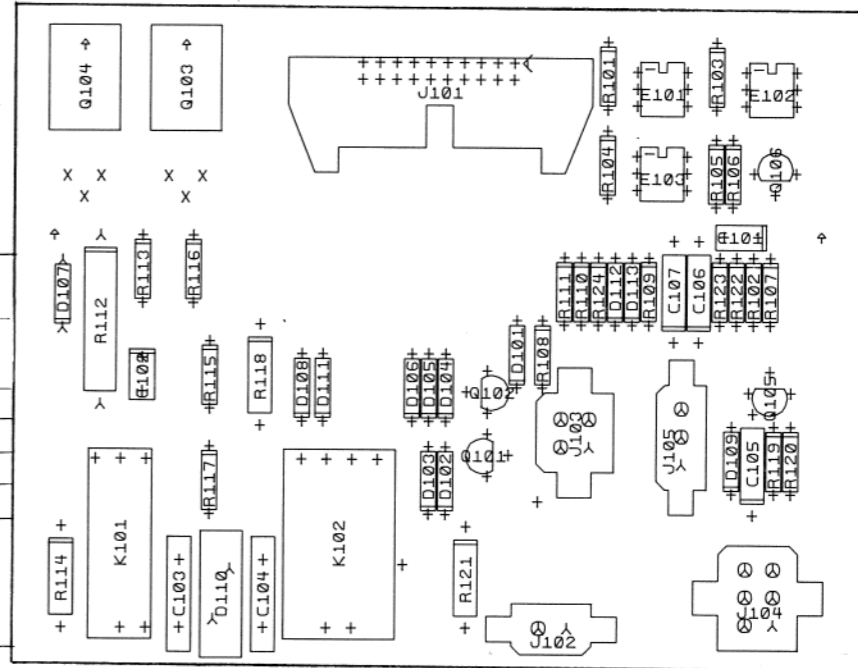
K PL 5411848-0-DBP F

THIS DRAWING AND SPECIFICATIONS, HEREIN, ARE THE PROPERTY OF DIGITAL EQUIPMENT CORPORATION AND SHALL NOT BE REPRODUCED OR COPIED OR USED IN WHOLE OR IN PART AS THE BASIS FOR THE MANUFACTURE OR SALE OF ITEMS WITHOUT WRITTEN PERMISSION.
 COPYRIGHT © 1977 DIGITAL EQUIPMENT CORPORATION

REV. 1
 DUA5411848-00

COMPONENT SIDE VIEW

ACTUAL REF DESIGNATOR	SUPERFICIAL REF DESIGNATORS
C1,C2,C3,C4,C5,C6,C7	C101,C102,C103,C104,C105,C106,C107
D1,D2,D3,D4,D5,D6,D7,D8,D9,D10 D11,D12,D13	D101,D102,D103,D104,D105,D106,D107,D108,D109,D110,D111,D112, D113
E1,E2,E3	E101,E102,E103
K1,K2,K3	K101,K102,K103
J1,J2,J3,J4,J5	J101,J102,J103,J104,J105
Q1,Q2,Q3,Q4,Q5,Q6	Q101,Q102,Q103,Q104,Q105,Q106
R1,R2,R3,R4,R5,R6,R7,R8,R9,R10 R11,R12,R13,R14,R15,R16,R17,R18,R19, R20,R21,R22	R101,R102,R103,R104,R105,R106,R107,R108,R109,R110,R111,R112, R113,R114,R115,R116,R117,R118,R119,R120,R121,R122



SEE NOTE 3

- NOTES:
- B HOLES .0465 (+.000-.0045) MAYNARD ONLY
 - U/L APPROVAL REQUIRED
 - REWORK INSTRUCTIONS:
 - REMOVE R17 (330Ω, 1/4w, 5%)
 - INSTALL R17 (330Ω, 1/2w, 5%)

CHK	CHANGE NO	REV	DATE	BY	APP
23	5411848-0001	D		P. BURNELL	
24		E		P. BURNELL	

ETCH REV.	E-P2
P.C. DESIGN DATA BASE REV.	E-P2

SIGNATURES	DATE	digital
DRN. <i>[Signature]</i>	1/81	
CHK'D. <i>[Signature]</i>	1/81	
ENG. <i>[Signature]</i>	26 Sept 77	
PROJ. ENG. <i>[Signature]</i>	26 Sept 77	TITLE AC
PROD. <i>[Signature]</i>	26 Sept 77	SERVO
SCALE 2/1		SIZE CODE NUMBER
SHT. 1 OF 3		d UA 5411848-0-0
NEXT HIGHER ASSY. B-DD-5411848-0		REV E

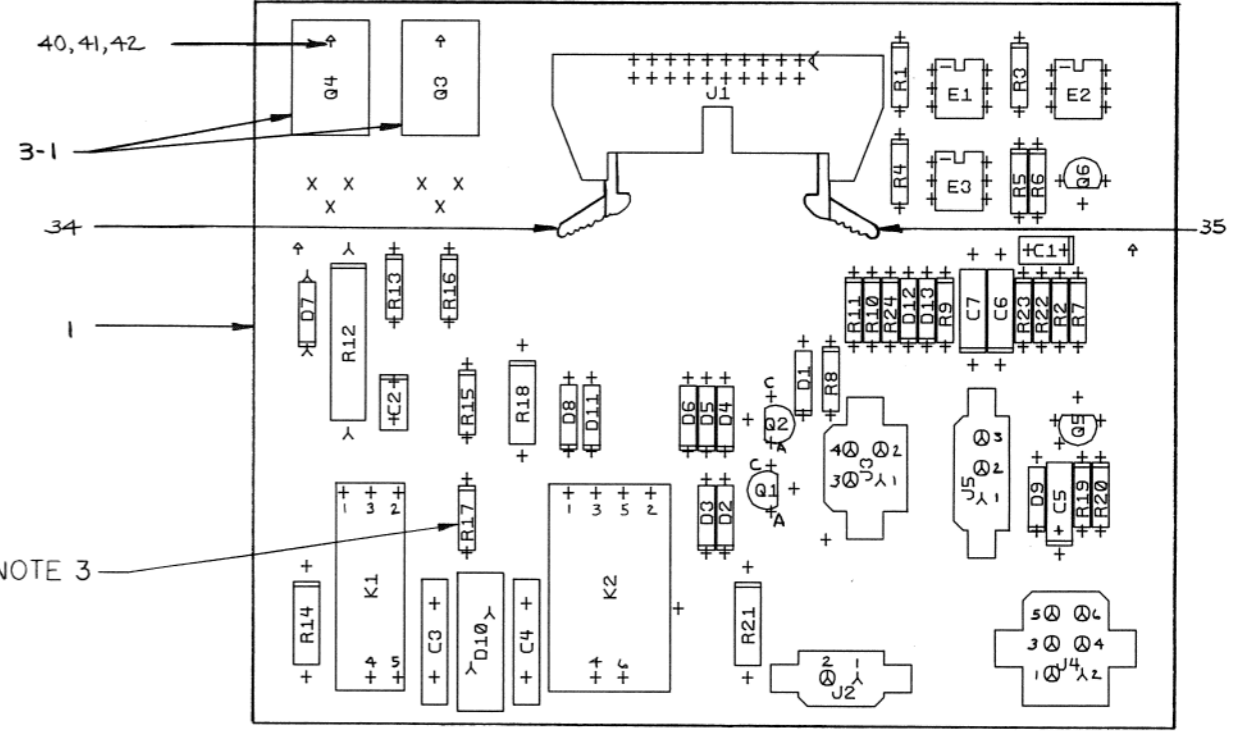
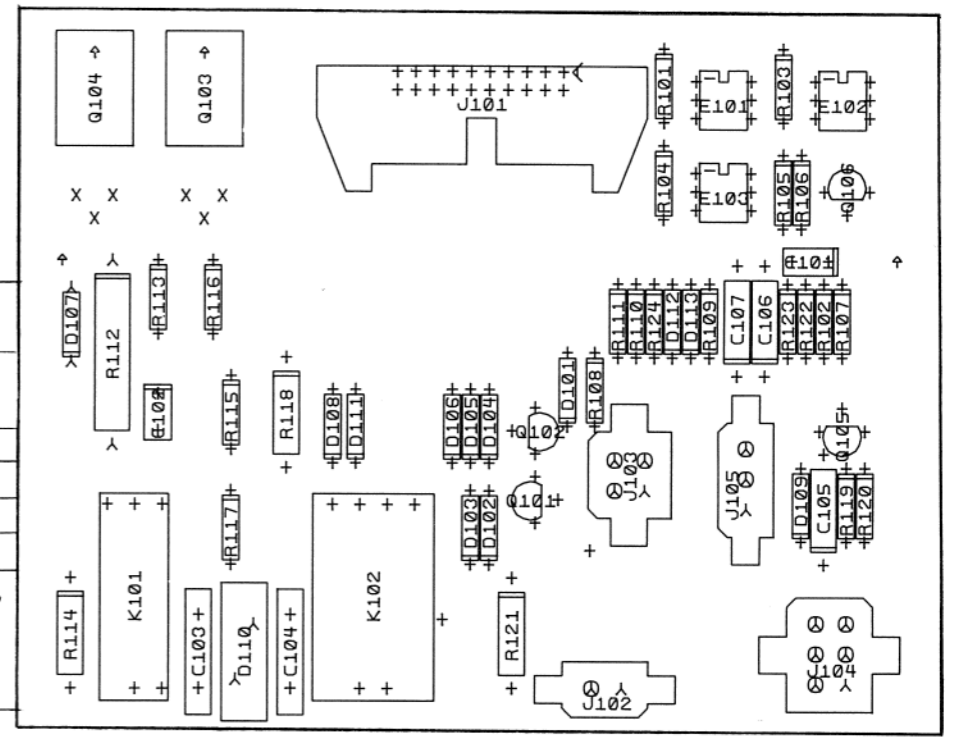
REV. 1
 DUA5411848-00

1 MS#260285

THIS DRAWING AND SPECIFICATIONS HEREIN ARE THE PROPERTY OF DIGITAL EQUIPMENT CORPORATION AND SHALL NOT BE REPRODUCED OR COPIED OR USED IN WHOLE OR IN PART AS THE BASIS FOR THE MANUFACTURE OR SALE OF ITEMS WITHOUT WRITTEN PERMISSION.
 COPYRIGHT © 1977 DIGITAL EQUIPMENT CORPORATION

COMPONENT SIDE VIEW

ACTUAL REF DESIGNATOR	SUPERFICIAL REF DESIGNATORS
C1,C2,C3,C4,C5,C6,C7	C101,C102,C103,C104,C105,C106,C107
D1,D2,D3,D4,D5,D6,D7,D8,D9,D10 D11,D12,D13	D101,D102,D103,D104,D105,D106,D107,D108,D109,D110,D111,D112, D113
E1,E2,E3	E101,E102,E103
K1,K2,K3	K101,K102,K103
J1,J2,J3,J4,J5	J101,J102,J103,J104,J105
Q1,Q2,Q3,Q4,Q5,Q6	Q101,Q102,Q103,Q104,Q105,Q106
R1,R2,R3,R4,R5,R6,R7,R8,R9,R10 R11,R12,R13,R14,R15,R16,R17,R18,R19, R20,R21,R22	R101,R102,R103,R104,R105,R106,R107,R108,R109,R110,R111,R112, R113,R114,R115,R116,R117,R118,R119,R120,R121,R122



NOTES:
 1. 8 HOLES .0465 (+.000-.0045) MAYNARD ONLY
 2. U/L APPROVAL REQUIRED
 3. REWORK INSTRUCTIONS:
 1. REMOVE R17 (330Ω, 1/4W, 5%)
 2. INSTALL R17 (330Ω, 1/2W, 5%)

CHK	CHANGE NO	REV	D	E	F
23	5411848-0001		P. BURNELL		
			S. FUCHSBERG		
			M. ZARICH		
			P. BURNELL		
			M. ZARICH		
			M. ZARICH		

ETCH REV.	E-P2
P.C. DESIGN DATA BASE REV.	F-P2

SIGNATURES	DATE	TITLE
DRN. <i>[Signature]</i>	8/21/77	digital
CHK'D. <i>[Signature]</i>	8/21/77	AC
ENG. <i>[Signature]</i>	24 Sep 77	SERVO
PROJ. ENG. <i>[Signature]</i>	24 Sep 77	
PROD. <i>[Signature]</i>	24 Sep 77	
SCALE 2/1		
SHT. 1 OF 4		
NEXT HIGHER ASSY. B-DD-5411848-0		

"THIS DRAWING AND SPECIFICATIONS, HEREIN, ARE THE PROPERTY OF DIGITAL EQUIPMENT CORPORATION AND SHALL NOT BE REPRODUCED OR COPIED OR USED IN WHOLE OR IN PART AS THE BASIS FOR THE MANUFACTURE OR SALE OF ITEMS WITHOUT WRITTEN PERMISSION. COPYRIGHT © 1976, DIGITAL EQUIPMENT CORPORATION"

D

C

B

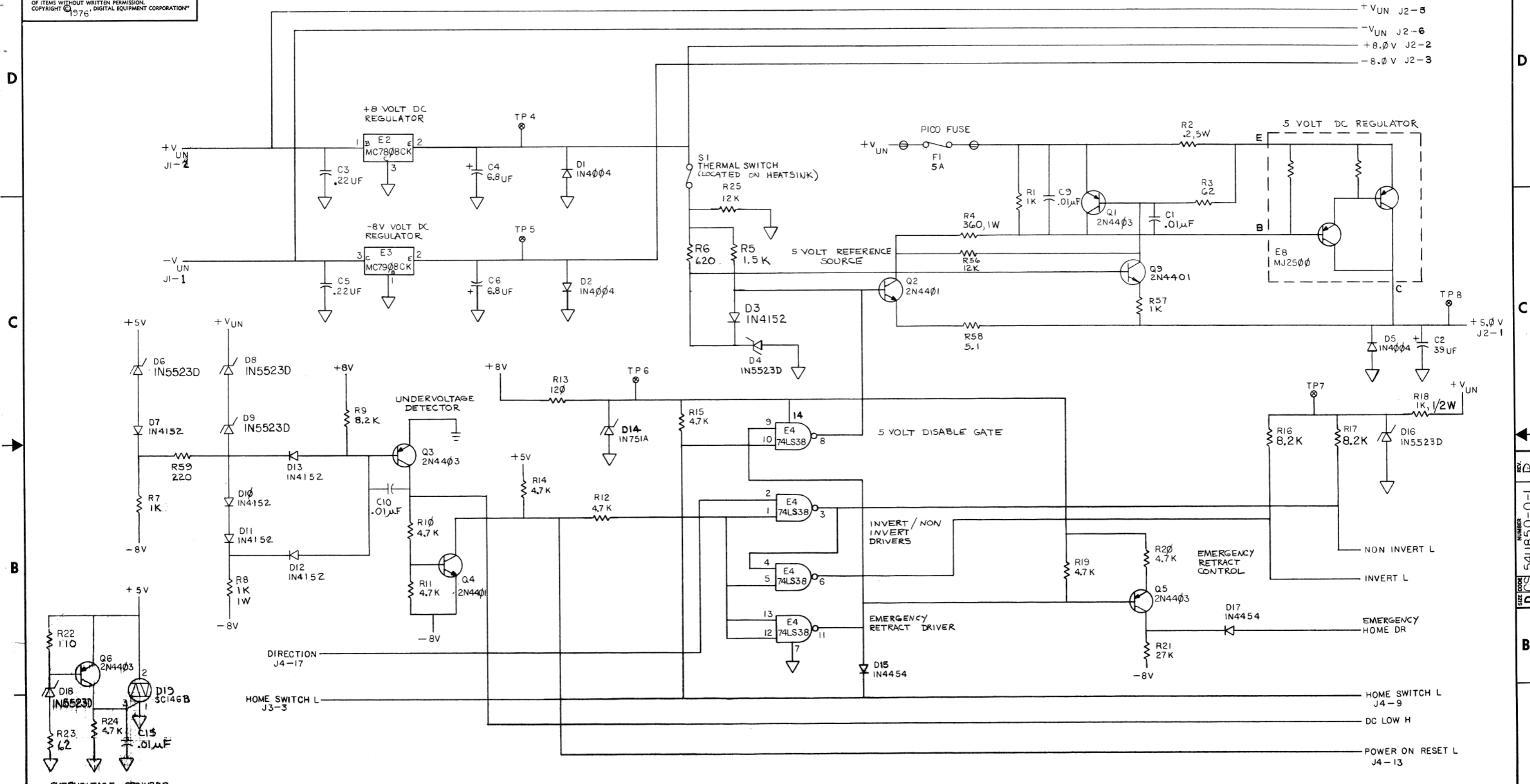
A

D

C

B

A

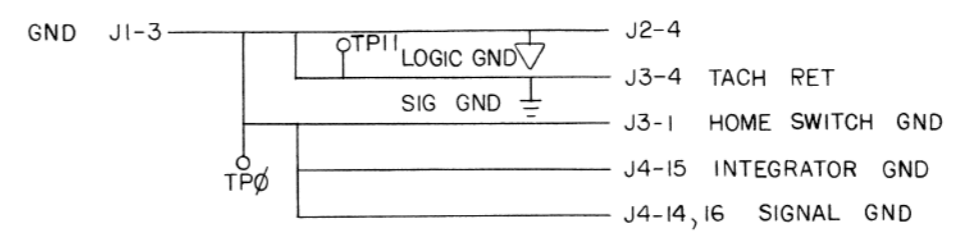
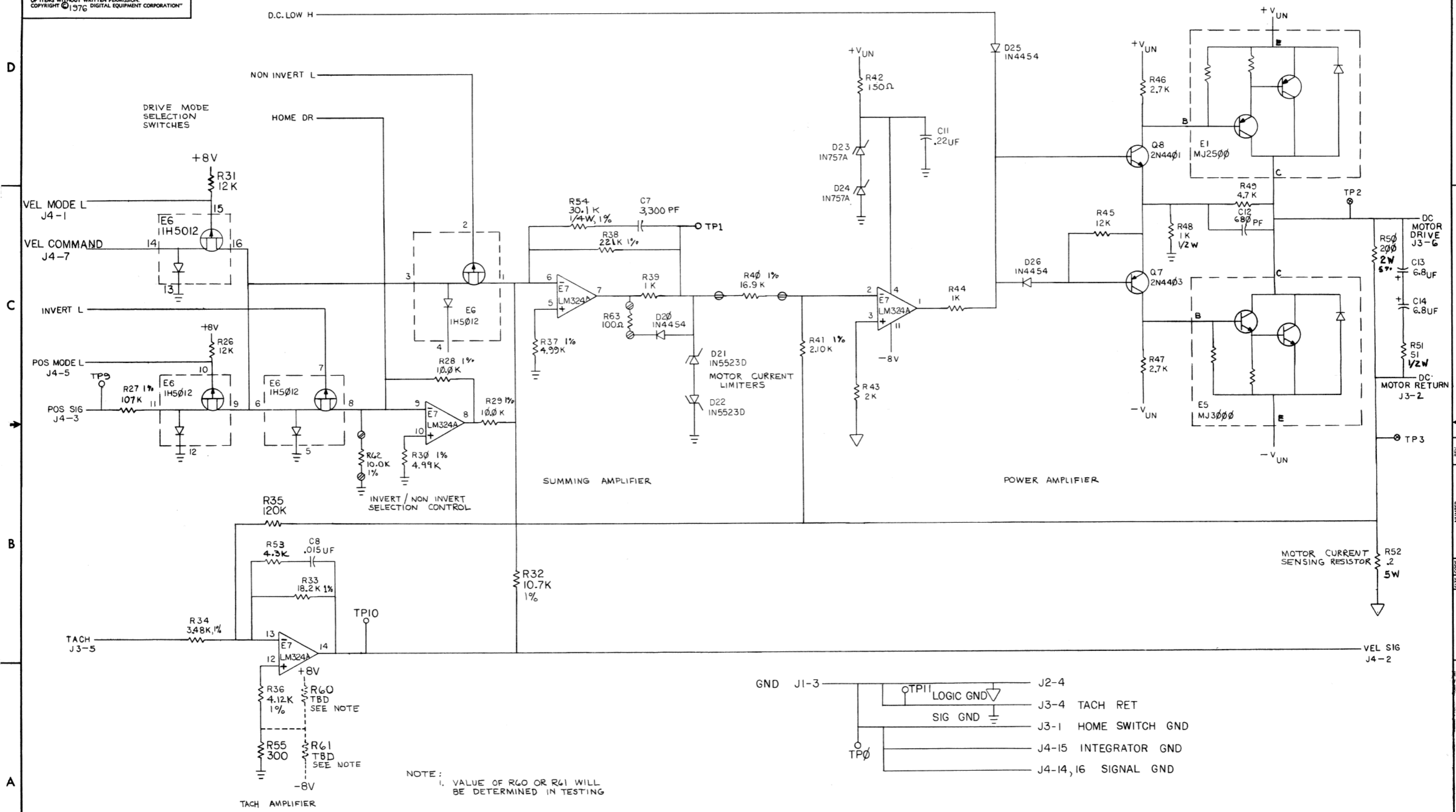


NOTES:
1. ALL RESISTORS TO BE 1/4 W 5%;
UNLESS OTHERWISE SPECIFIED

REV.	CHANGE NO.	BY	DATE	DESCRIPTION
B1	1	PCO	2-51	RELEASED AT
C	2	REV B	6-9	REV B EQUAL
D	3	REV B	6-9	REV B EQUAL
D	4	REV B	6-9	REV B EQUAL
D	5	REV B	6-9	REV B EQUAL
D	6	REV B	6-9	REV B EQUAL
D	7	REV B	6-9	REV B EQUAL
D	8	REV B	6-9	REV B EQUAL

DRN. E. DeVero	26 Feb 76	FIRST USED ON	digital
CHK'D. R. Bunnell	2-1-77	TITLE	DC SERVO AND POWER BOARD
ENG. R. Allen	6-7-77	PROJ. ENG. [Signature]	
PROD. D. [Signature]	6/7/77	NEXT HIGHER ASSY.	
D-UA-5411850-0-0	SIZE CODE	NUMBER	REV.
SCALE	D	CS 5411850-0-1	D
SHEET 1 OF 2	DIST.		

"THIS DRAWING AND SPECIFICATIONS, HEREIN, ARE THE PROPERTY OF DIGITAL EQUIPMENT CORPORATION AND SHALL NOT BE REPRODUCED OR COPIED OR USED IN WHOLE OR IN PART AS THE BASIS FOR THE MANUFACTURE OR SALE OF ITEMS WITHOUT WRITTEN PERMISSION. COPYRIGHT © 1976 DIGITAL EQUIPMENT CORPORATION"



NOTE: VALUE OF R60 OR R61 WILL BE DETERMINED IN TESTING

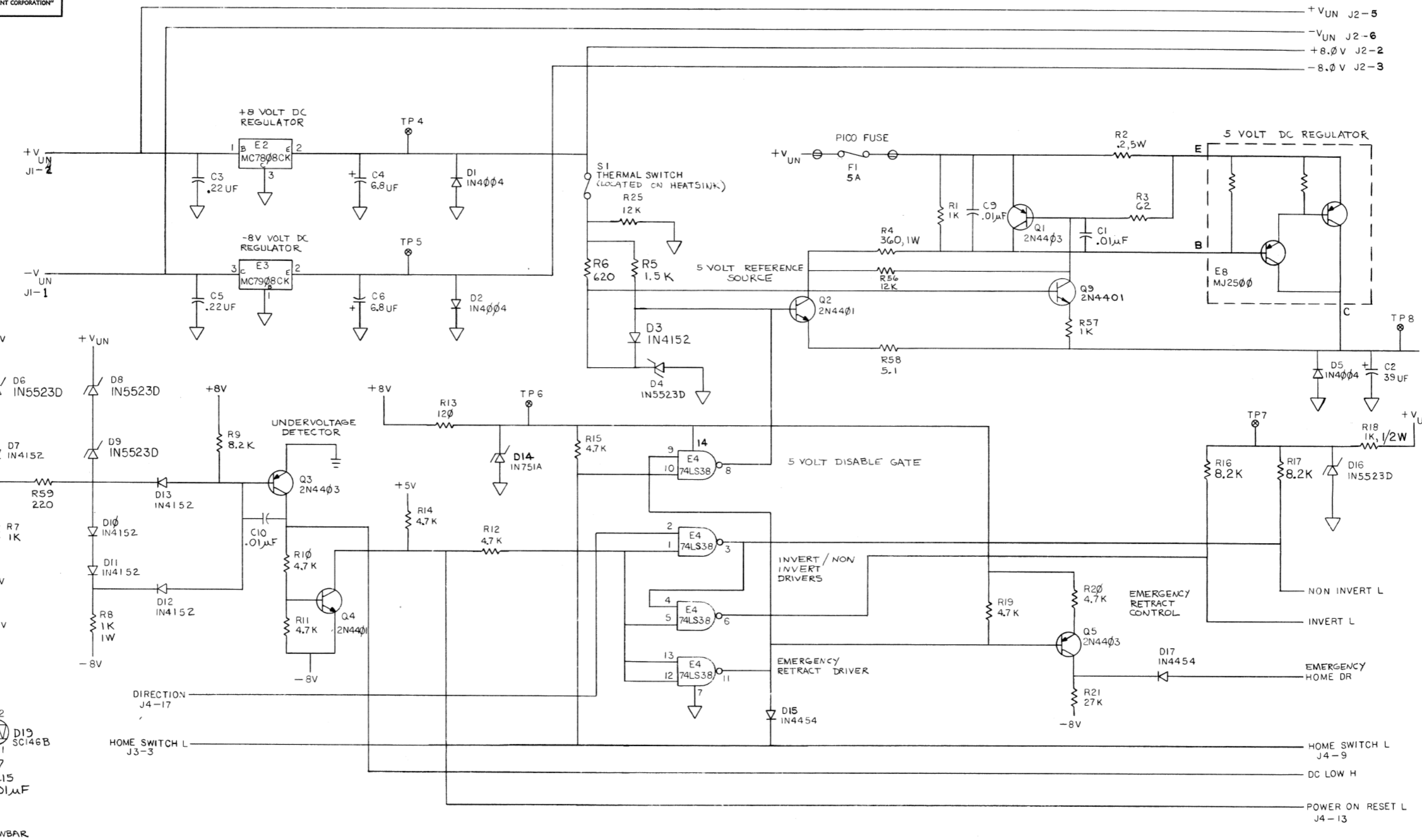
REVISIONS		
CHK	CHANGE NO.	REV.

"THIS DRAWING AND SPECIFICATIONS, HEREIN, ARE THE PROPERTY OF DIGITAL EQUIPMENT CORPORATION AND SHALL NOT BE REPRODUCED OR COPIED OR USED IN WHOLE OR IN PART AS THE BASIS FOR THE MANUFACTURE OR SALE OF ITEMS WITHOUT WRITTEN PERMISSION." COPYRIGHT © 1976, DIGITAL EQUIPMENT CORPORATION

D
C
B
A

8 7 6 5 4 3 2 1

DEC FORM NO. 080 107-D



NOTES:
1. ALL RESISTORS TO BE 1/4 W 5%; UNLESS OTHERWISE SPECIFIED

REV.	CHG.	NO.	BY	DATE	DESCRIPTION
B1					REVISED AT
B2					REVISED AT
B3					REVISED AT
B4					REVISED AT
B5					REVISED AT
B6					REVISED AT
B7					REVISED AT
B8					REVISED AT
B9					REVISED AT
B10					REVISED AT

DRN. E. D. V. 10/20	26 Feb 76	FIRST USED ON	
CHK'D <i>B. B. B.</i>	2-1-77	TITLE	DIGITAL
ENG. <i>A. S. S.</i>	6-7-77		
PROJ. ENG. <i>M. J. S.</i>	6/1/77		
PROD. <i>M. J. S.</i>	6/7/77		
NEXT HIGHER ASSY.			
D-UA-5411850-0-0	SIZE CODE	NUMBER	REV.
SCALE	D	CS 5411850-0-1	E
SHEET	1 OF 2	DIST.	

D
C
B
A

8 7 6 5 4 3 2 1

DEC FORM NO. 080 107-D

DIGITAL EQUIPMENT CORPORATION

PARTS LIST

MADE BY SCOTT STEVENS
 DATE 10 Jun 76
 ENG *Y. Bunnell*
 DATE 6/7/77

CHECKED *Y. Bunnell*
 DATE 2-9-77
 PROD *Y. Bunnell*
 DATE 6/7/77

SECTION ISSUED SECTION

ITEM NO.	DRAWING NO.	PART NO.	DESCRIPTION
1	D-MD-50116-3-0-0	5011849	ETCHED BOARD
2		1013466-08	CAPACITOR, 680 pF, 10%, 50V, Cer. Ax.
3		1002423-00	CAPACITOR, 3,300 pF, 10%, 50V, Mica
4		1001610-00	CAPACITOR, .01 uF, 10%, 50V, Cer.
5		1002630-00	CAPACITOR, .015 uF, 10%, 100V, Mylar
6		1013466-11	CAPACITOR, .22 uF, 50V, Cer. Ax.
7		1005306-00	CAPACITOR, 6.8 uF, 35V, Tant
8		1000076-00	CAPACITOR, 39 uF, 10V, Tant
9		1309422-00	RESISTOR, 5.1 OHM, 1/4 W 5% CC
10		1312929-00	RESISTOR, 62 OHM, 1/4 W 5% CC
11		1311523-00	RESISTOR, 110 OHM, 1/4 W 5% CC
12		1300247-00	RESISTOR, 120 OHM, 1/4 W 5% CC
13		1300271-00	RESISTOR, 220 OHM, 1/4 W 5% CC
14		1301425-00	RESISTOR, 300 OHM, 1/4 W 5% CC
15		1303178-00	RESISTOR, 620 OHM, 1/4 W 5% CC
16		1300365-00	RESISTOR, 1K, 1/4 W 5% CC
17		1300391-00	RESISTOR, 1.5K, 1/4 W 5% CC
18		1302388-00	RESISTOR, 2K, 1/4 W 5% CC
19		1300426-00	RESISTOR, 2.7K, 1/4 W 5% CC
20			
21		1302389-00	RESISTOR, 4.3K, 1/4 W 5% CC
22		1300447-00	RESISTOR, 4.7K, 1/4 W 5% CC
23		1303179-00	RESISTOR, 8.2K, 1/4 W 5% CC
24		1300488-00	RESISTOR, 12K, 1/4 W 5% CC
25		1305346-00	RESISTOR, 27K, 1/4 W 5% CC
26		1300539-00	RESISTOR, 120K, 1/4 W 5% CC
27		1312923-00	RESISTOR, 2.10K, 1/4 W 1% MF
28		1305114-00	RESISTOR, 3.48K, 1/4 W 1% MF

PCO 251
 AREA 57D
 47 B
 BURNELL
 BURNELL
 berg
 berg

THIS DRAWING AND SPECIFICATIONS HEREIN ARE THE PROPERTY OF DIGITAL EQUIPMENT CORPORATION AND SHALL NOT BE REPRODUCED OR COPIED OR USED IN WHOLE OR IN PART AS THE BASIS FOR THE MANUFACTURE OR SALE OF ITEMS WITHOUT WRITTEN PERMISSION. COPYRIGHT © 1977. DIGITAL EQUIPMENT CORPORATION.

DRB 125

DC SERVO AND POWER BOARD

ASSY NO. D-UA-5411850-0-0
 SHEET 1 OF 3

SIZE CODE B PL
 NUMBER 5411850-0-0
 INSERTION PARTS LIST DATA BASE REV D

NOTES:

1. R60 + R61 not included on PL. Value will be determined in testing.

QUANTITY / VARIATION

ITEM NO.	QUANTITY	VARIATION	REF DESIGNATION
1	1		C12
2	1		C7
3	1		C1, C9, C10, C15
4	4		C8
5	1		C3, C5, C11
6	3		C4, C6, C13, C14
7	4		C2
8	1		R58
9	1		R3, R23
10	2		R22
11	1		R13
12	1		R59
13	1		R5E
14	1		R6
15	5		R1, R7, R44, R57, R39
16	1		R5
17	1		R43
18	1		R46, R47
19	2		
20	1		R53
21	9		R10, R11, R12, R14, R15, R19, R20, R24, R49
22	3		R9, R16, R17
23	5		R25, R26, R31, R45, R56
24	1		R21
25	1		R35
26	1		R41
27	1		R34

DIGITAL EQUIPMENT CORPORATION

PARTS LIST

MADE BY SCOTT STEVENS
 DATE 10 Jun 77
 ENG *Y. Bunnell*
 DATE 6/7/77

CHECKED *Y. Bunnell*
 DATE 2-9-77
 PROD *Y. Bunnell*
 DATE 6/7/77

SECTION ISSUED SECTION

ITEM NO.	DRAWING NO.	PART NO.	DESCRIPTION
29		1314763-00	RESISTOR, 4.12K, 1/4 W 1% MF
30		1303312-00	RESISTOR, 10.0K, 1/4 W 1% MF
31		1312924-00	RESISTOR, 10.7K, 1/4 W 1% MF
32		1309412-00	RESISTOR, 18.2K, 1/4 W 1% MF
33		1311594-00	RESISTOR, 30.1K, 1/4 W 1% MF
34		1313843-00	RESISTOR, 107K, 1/4 W 1% MF
35		1313844-00	RESISTOR, 221K, 1/4 W 1% MF
36		1302378-00	RESISTOR, 51 OHM, 1/2 W 5% CC
37		1300364-00	RESISTOR, 1K, 1/2 W 5% CC
38		1314068-00	RESISTOR, 360 OHM, 1 W 5% CC
39		1300368-00	RESISTOR, 1K, 1 W 5% CC
40		1301494-00	RESISTOR, 200 OHM, 2 W 5% CC
41		1313358-00	RESISTOR, .2 OHM, 5 W 3% CC
42		1105796-00	DIODE, 1N4004, (D041)
43		1113953-00	DIODE, 1N5523D, (D07)
44		1109990-00	DIODE, 1N757A, (D07)
45		1110994-00	DIODE, 1N751A, (D07)
46		1114117-00	DIODE, 1N4152, (D035)
47		1111577-00	DIODE, 1N4454, (D035)
48		1513698-00	TRIAC, SC146B
49		9009597-00	INSULATING WASHER, TRIAC
50		1513489-00	TRANSISTOR, 2N4401, (T092)
51		1513490-00	TRANSISTOR, 2N4403, (T092)
52		1511282-00	TRANSISTOR, MJ2500, (T03)
53		1511349-00	TRANSISTOR, MJ3000, (T03)
54		1911706-00	FET ANALOG SWITCH, IH5012, (16 PIN)
55		1912818-00	IC, DEC, 74LS38, (14 PIN)
56		1912107-01	OP AMP, LM324 AN (14 PIN)

NOTES:

R36
 R28, R29, R62
 R32
 R33
 R54
 R27
 R38
 R51
 R18, R48
 R4
 R8
 R50
 R2, R52
 D1, D2, D5
 D4, D6, D8, D9, D18, D16, D21, D22
 D23, D24
 D14
 D3, D7, D10, D11, D12, D13
 D15, D17, D20, D25, D26
 D19
 (D19)
 Q2, Q4, Q8, Q9
 Q1, Q3, Q5, Q6, Q7
 E1, E8
 E5
 E6
 E4
 E7

QUANTITY / VARIATION

ITEM NO.	QUANTITY	VARIATION	REF DESIGNATION
1	1		R36
2	3		R28, R29, R62
3	1		R32
4	1		R33
5	1		R54
6	1		R27
7	1		R38
8	1		R51
9	2		R18, R48
10	1		R4
11	1		R8
12	1		R50
13	2		R2, R52
14	3		D1, D2, D5
15	8		D4, D6, D8, D9, D18, D16, D21, D22
16	2		D23, D24
17	1		D14
18	6		D3, D7, D10, D11, D12, D13
19	5		D15, D17, D20, D25, D26
20	1		D19
21	1		(D19)
22	4		Q2, Q4, Q8, Q9
23	5		Q1, Q3, Q5, Q6, Q7
24	2		E1, E8
25	1		E5
26	1		E6
27	1		E4
28	1		E7

THIS DRAWING AND SPECIFICATIONS HEREIN ARE THE PROPERTY OF DIGITAL EQUIPMENT CORPORATION AND SHALL NOT BE REPRODUCED OR COPIED OR USED IN WHOLE OR IN PART AS THE BASIS FOR THE MANUFACTURE OR SALE OF ITEMS WITHOUT WRITTEN PERMISSION. COPYRIGHT © 1977. DIGITAL EQUIPMENT CORPORATION.

DRB 125

DC SERVO AND POWER BOARD

ASSY NO. D-UA-5411850-0-0
 SHEET 2 OF 3

SIZE CODE B PL
 NUMBER 5411850-0-0
 INSERTION PARTS LIST DATA BASE REV D

DIGITAL EQUIPMENT CORPORATION

PARTS LIST

MADE BY SCOTT STEVENS
 DATE 10 Jun 76
 ENG *JS*
 DATE *6/7/77*

CHECKED *C. J. Burnell* SECTION
 DATE *2-9-77*
 PROD *D*
 DATE *6-7-77* ISSUED SECTION

ITEM NO.	DRAWING NO.	PART NO.	DESCRIPTION
57		1913695-00	IC, MC7808CK, (T03)
58		1913694-00	IC, MC7908CK, (T03)
59		9008419-00	INSULATING WASHER, T03
60		7418595-00	HEATSINK
61			
62		9008033-01	SCREW, PAN. HD. #4-40, 9/16"
63		9006557-00	KEPNUT, #4-40
64		9006655-00	FLAT WASHER, #4
65		9008268-00	THERMAL COMPOUND
66		1210824-00	SWITCH, THERMAL
67		9008185-00	KEPNUT, #6-32
68		9006653-00	FLAT WASHER, #6
69		1205747-00	FUSE, PICO, 5 AMP
70		9006735-00	SPLIT LUG
71		9007791-00	TERMINAL TURRET, SOLDER
72		1213922-01	CONNECTOR, AMP, 3 PIN, BLK/TIN
73		1213922-04	CONNECTOR, AMP, 6 PIN, BLK/TIN
74		1213900-00	CONNECTOR, BURNDY, 6 PIN, BLK/GOLD
75		1209941-06	CONNECTOR, BERG, 20 PIN
76		1209941-03	LATCH, RIGHT
77		1209941-04	LATCH, LEFT
78		1305324-00	RESISTOR, 4.99K, 1/4 W 1% mf
79		1300250-00	RESISTOR, 150 OHM, 1/4 W 5% CC
80		9105740-55	WIRE 30 AWG
81		1312618-00	RESISTOR, 6.9K, 1/4W, 1%
82		1300229-00	RESISTOR, 100- Ω , 1/4W, 5%

NOTES:

5411850-0-0

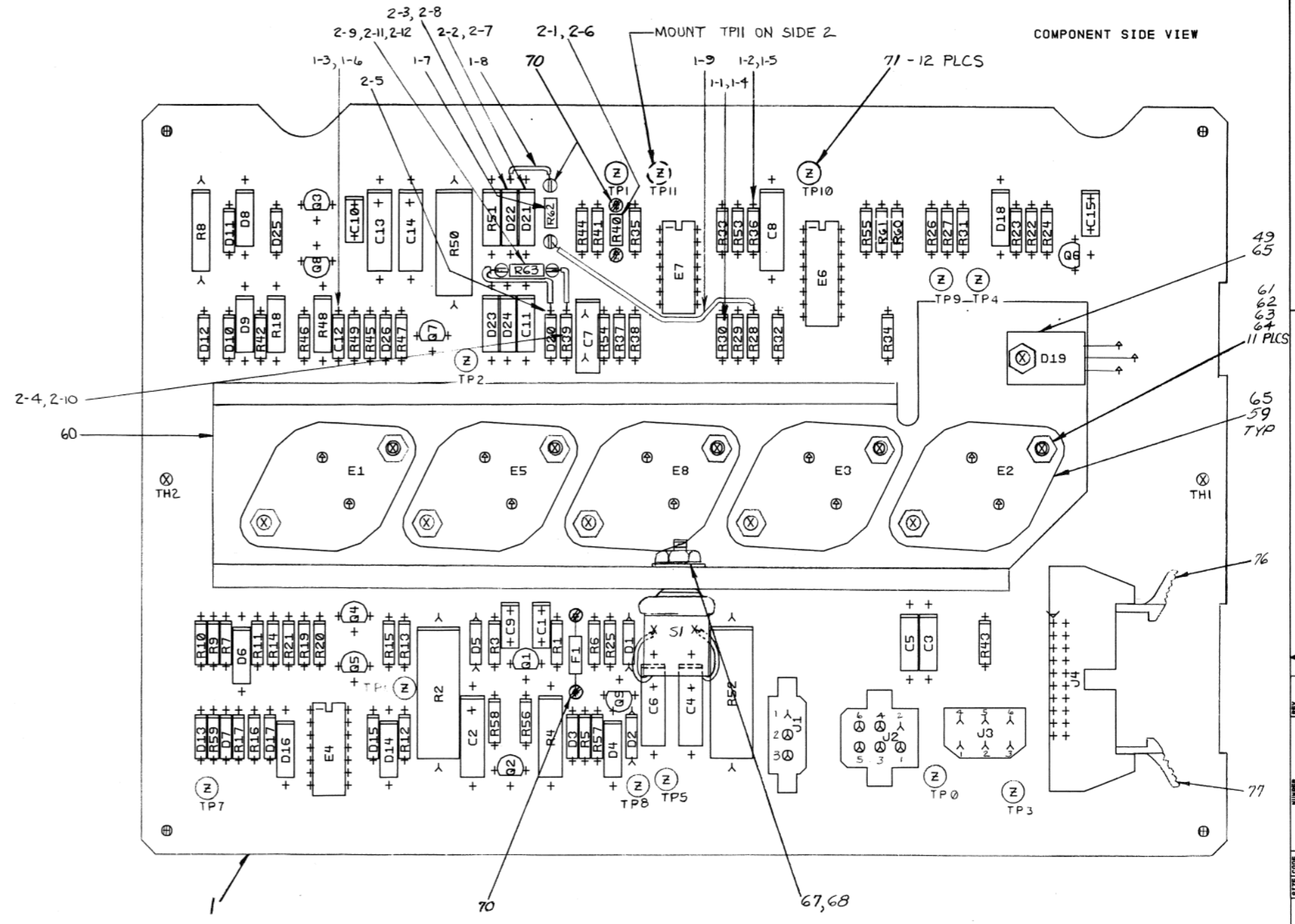
QUANTITY / VARIATION	REF DESIGNATION
1	E2
1	E3
5	(E1, E2, E3, E5, E8)
1	
11	(E1, E2, E3, E5, E8, D19)
11	(E1, E2, E3, E5, E8, D19)
11	(E1, E2, E3, E5, E8, D19)
AR	(E1, E2, E3, E5, E8, D19)
1	S1
1	(S1)
1	(S1)
1	F1
8	(F1, R40, R62, R63)
12	TP# THRU TP11
1	J1
1	J2
1	J3
1	J4
1	(J4)
1	(J4)
2	R37, R30
1	R42
AR	R40
1	R63

ITEM NO.	DESCRIPTION	QUANTITY	SIZE	CODE	NUMBER	REV.
5411850-0-0	DC SERVO AND POWER BOARD	3	B	PL	5411850-0-0	D
ASSY NO. D-UA-5411850-0-0		3	OF		SHEET	
TITLE DC SERVO AND POWER BOARD		INSERTION PARTS LIST DATA BASE REV				

THIS DRAWING AND SPECIFICATIONS. HEREIN, ARE THE PROPERTY OF DIGITAL EQUIPMENT CORPORATION AND SHALL NOT BE REPRODUCED OR COPIED OR USED IN WHOLE OR IN PART AS THE BASIS FOR THE MANUFACTURE OR SALE OF ITEMS WITHOUT WRITTEN PERMISSION. COPYRIGHT © 1977 . DIGITAL EQUIPMENT CORPORATION.
 EN01140A-16-R276(325) DRB 125

THIS DRAWING AND SPECIFICATIONS, HEREIN, ARE THE PROPERTY OF DIGITAL EQUIPMENT CORPORATION AND SHALL NOT BE REPRODUCED OR COPIED OR USED IN WHOLE OR IN PART AS THE BASIS FOR THE MANUFACTURE OR SALE OF ITEMS WITHOUT WRITTEN PERMISSION.
 COPYRIGHT © 1977 DIGITAL EQUIPMENT CORPORATION

COMPONENT SIDE VIEW



NOTES:

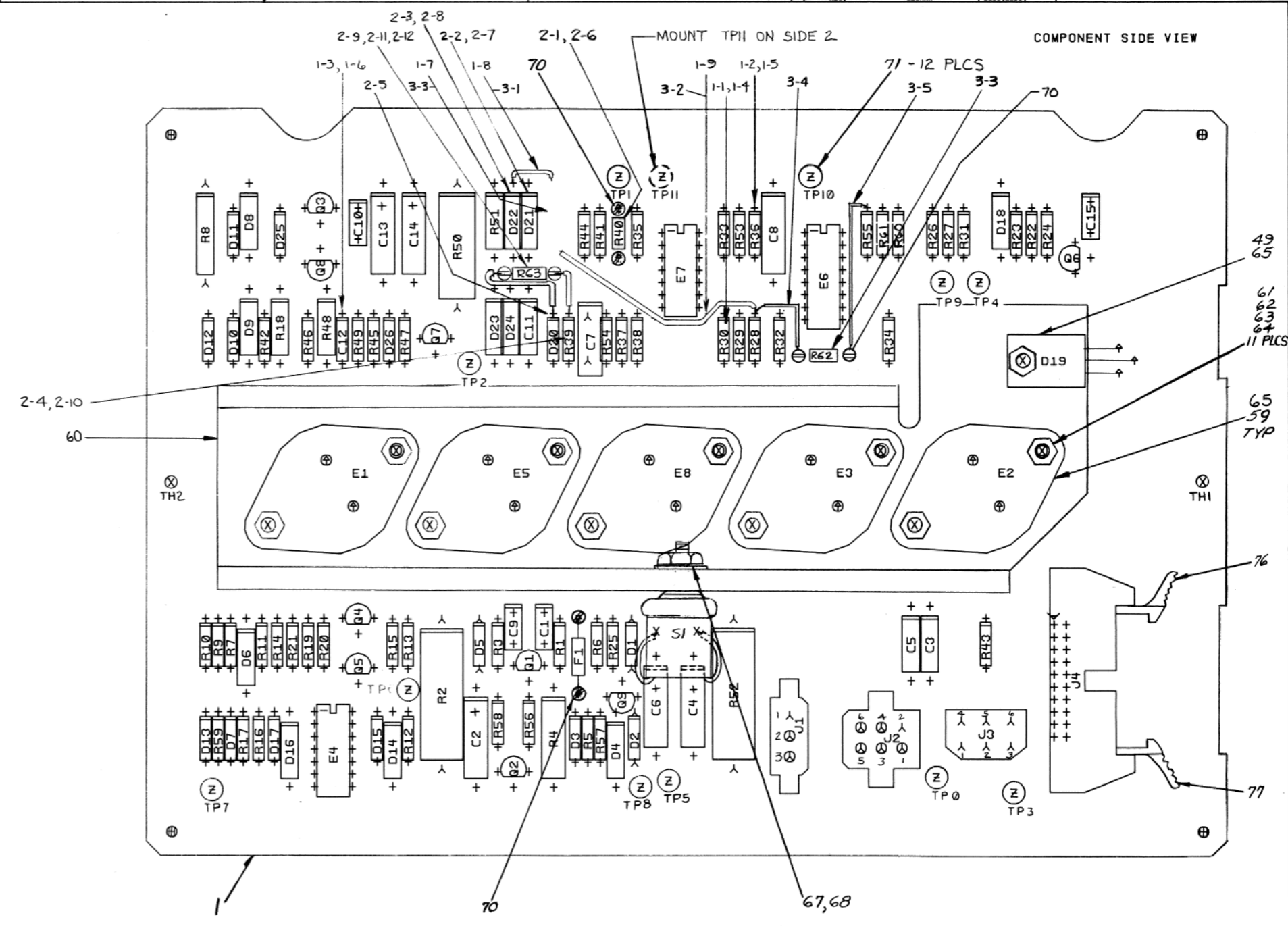
CHK	CHANGE	NO	REV
8	PC	251	B1
8	RELEASED		B
8	EQ		B1
8	5411850-0001		C
8	5411850-0002		D

ETCH REV.	C
P.C. DESIGN DATA BASE REV.	CL

SIGNATURES	DATE	digital
DRN. <i>[Signature]</i>	3/1/77	
CHK'D. <i>[Signature]</i>	3-24-77	
ENG. <i>[Signature]</i>	4/1/77	
PROJ. ENG. <i>[Signature]</i>	6/1/77	
PROD. <i>[Signature]</i>	6/1/77	TITLE DC SERVO AND POWER BOARD
SCALE 2/1	SHT. 1 OF 4	SIZE CODE NUMBER REV
NEXT HIGHER ASSY: B-DD-5411850-0		D U A 5411850-0-0 D

SIZE CODE NUMBER REV
 DUA 5411850-0-0 D

THIS DRAWING AND SPECIFICATIONS, HEREIN, ARE THE PROPERTY OF DIGITAL EQUIPMENT CORPORATION AND SHALL NOT BE REPRODUCED OR COPIED OR USED IN WHOLE OR IN PART AS THE BASIS FOR THE MANUFACTURE OR SALE OF ITEMS WITHOUT WRITTEN PERMISSION.
 COPYRIGHT © 1977 DIGITAL EQUIPMENT CORPORATION



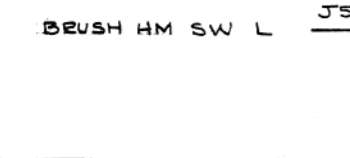
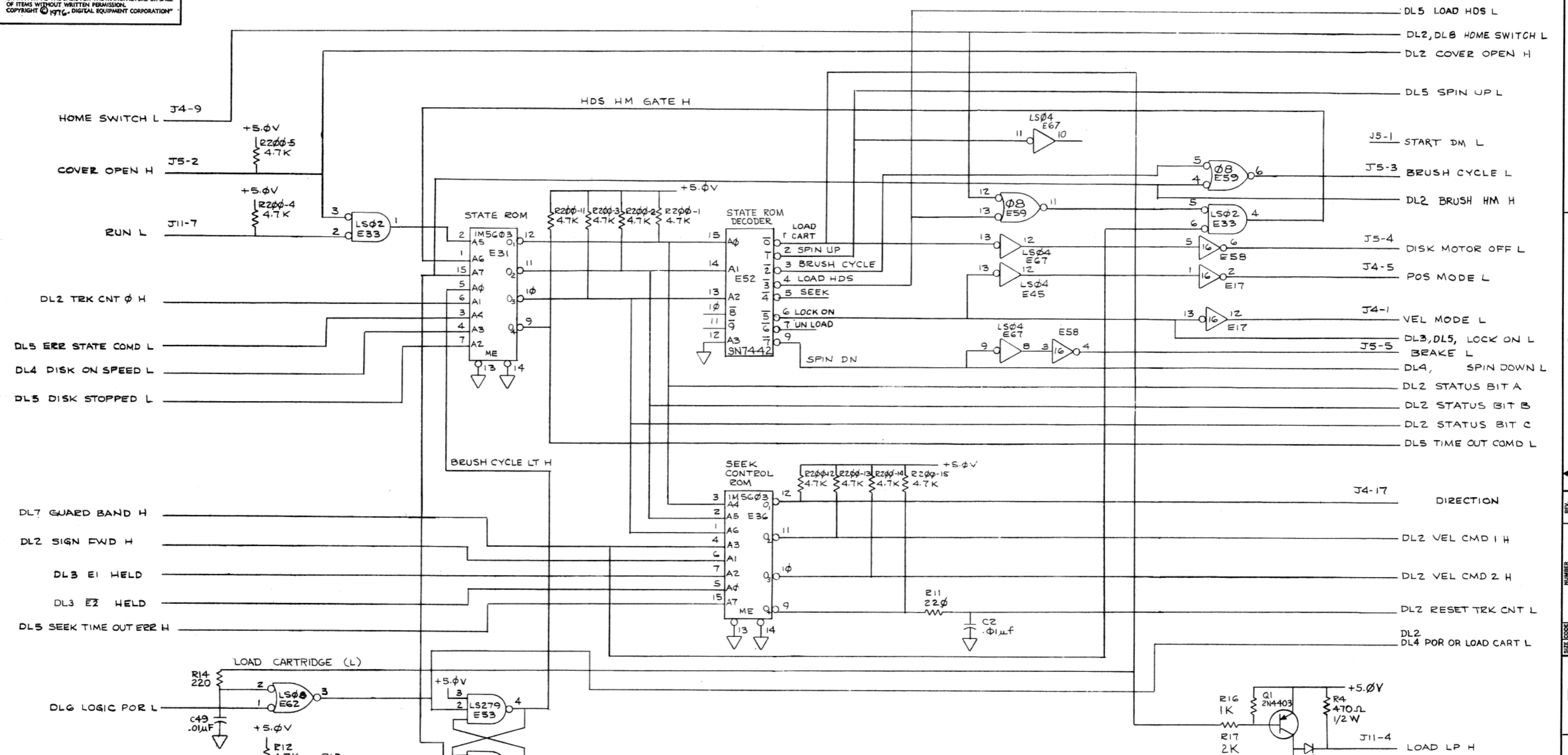
NOTES:

CHKCHANGE NO	REV	BY	DATE
00	PCO 251	B1	
01	5-3-77 RELEASED	B	
02	EQD EQUAL B1	B	
03	5411850-0001	C	
04	REVISION BERG		
05	5411850-0002	D	
06	SPRECHENBERG		
07	5411850-CZ003	E	
08	M. ZARICH		
09	M. Zarich		

ETCH REV.	C
P.C. DESIGN DATA BASE REV.	CL

SIGNATURES	DATE	digital
DRN. <i>E. H. ...</i>	3/1/77	
CHK'D. <i>E. H. ...</i>	3-24-77	
ENG. <i>P. B. ...</i>	6/7/77	
PROJ. ENG. <i>P. B. ...</i>	6/7/77	
PROD. <i>D. ...</i>	6/7/77	
SCALE 2/1		
SHT. 1 OF 4		
NEXT HIGHER ASSY. B-DD-5411850-0		
TITLE DC SERVO AND POWER BOARD		
SIZE CODE NUMBER		
DUA 5411850-0-0 E		

"THIS DRAWING AND SPECIFICATIONS, HEREIN, ARE THE PROPERTY OF DIGITAL EQUIPMENT CORPORATION AND SHALL NOT BE REPRODUCED OR COPIED OR USED IN WHOLE OR IN PART AS THE BASIS FOR THE MANUFACTURE OR SALE OF ITEMS WITHOUT WRITTEN PERMISSION. COPYRIGHT © 1976, DIGITAL EQUIPMENT CORPORATION"



IC	U	V	+5V	-5V	+8V	-8V
75107B-00	7		14	13		
75113, 7442, LS123, LS174, LS193, LS195, LS279, E31, E36, E63	8		16			
324					4	11
E43 (ROM)	8	16				
UNSPECIFIED	7	14				
E8 (339)	12			3		
E34 (339)				3	12	
E61 (339)		12		3		

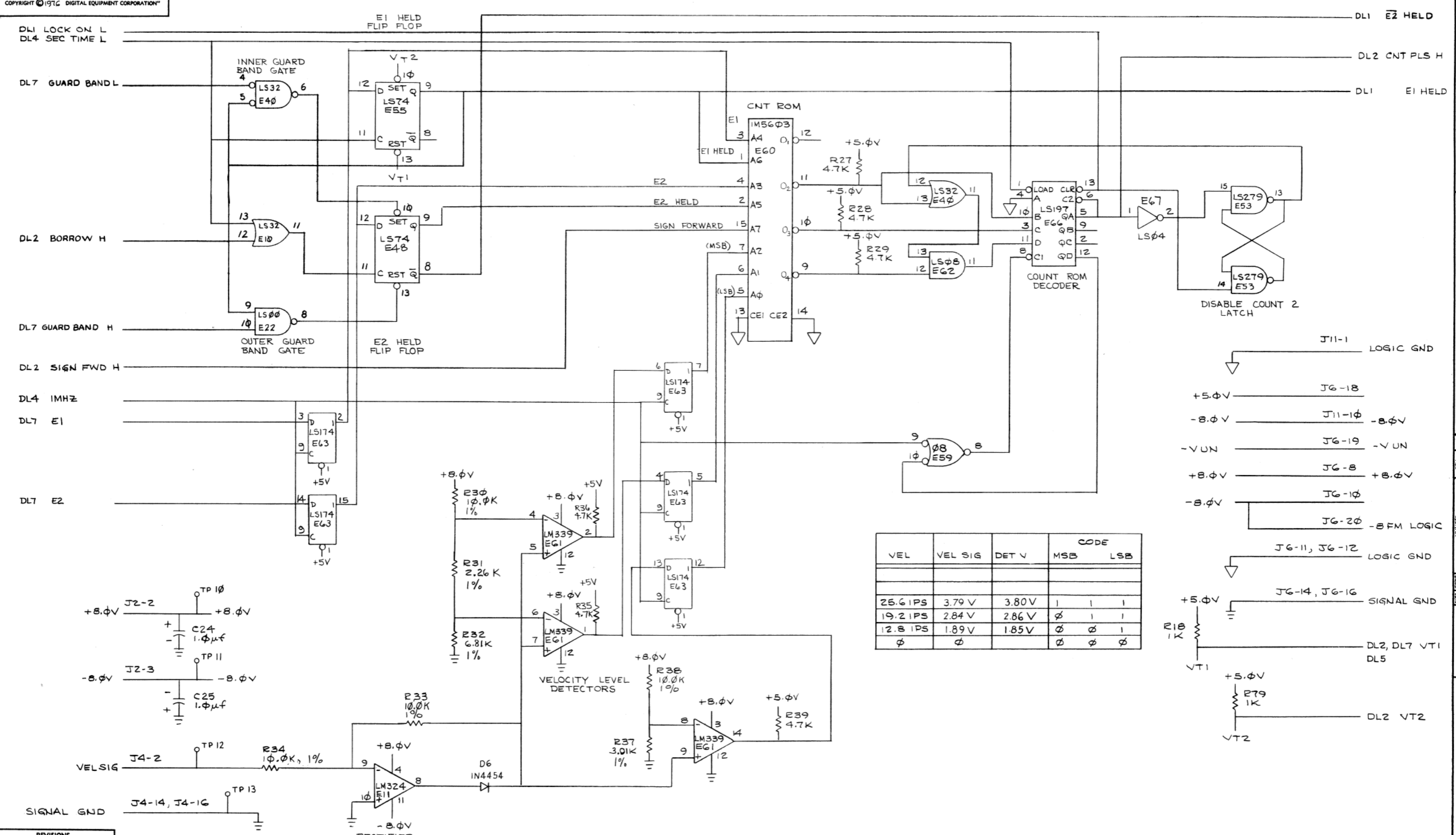
DRN. MAWARD DATE	4-76	FIRST USED ON	RL01
CHK'D	Burnell	2-24-77	
ENG.	R. Law	6-15-77	
PROJ. ENG.		6/17/77	
PROD.	Boston	6/16-77	
NEXT HIGHER ASSY.			
3-00-5412175-0	SIZE CODE	NUMBER	REV.
SCALE	D	CS 5412175-0-1	J
SHEET	1	OF 8	

REV.	CHANGE NO.	BY	DATE
C	1	G. REICHENBERG	5/11/77
D	2	P. BURNELL	5/11/77
E	3	G. REICHENBERG	5/11/77
F	4	P. BURNELL	5/11/77
H	5	M. ZARICH	5/11/77
J	6	M. ZARICH	5/11/77

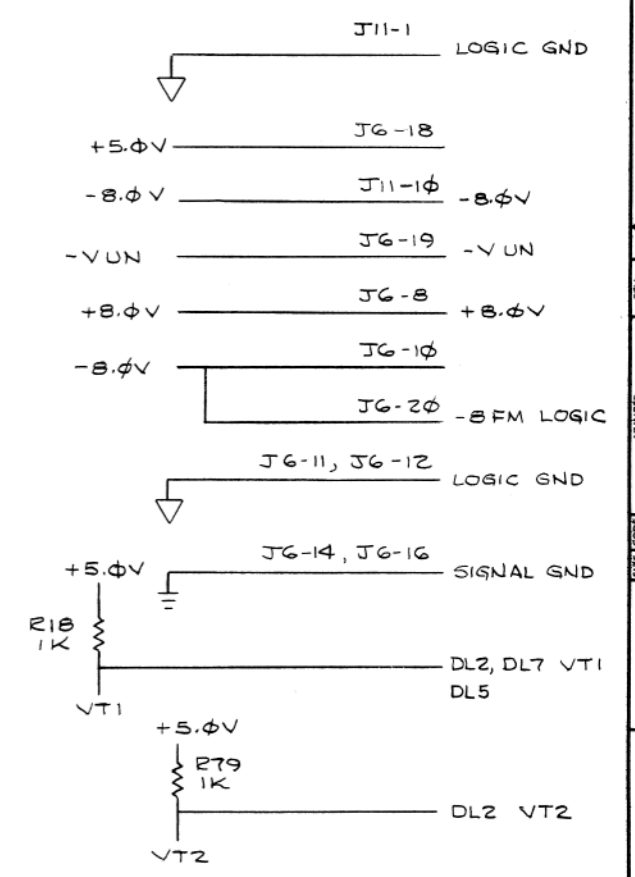
"THIS DRAWING AND SPECIFICATIONS, HEREIN, ARE THE PROPERTY OF DIGITAL EQUIPMENT CORPORATION AND SHALL NOT BE REPRODUCED OR COPIED OR USED IN WHOLE OR IN PART AS THE BASIS FOR THE MANUFACTURE OR SALE OF ITEMS WITHOUT WRITTEN PERMISSION. COPYRIGHT © 1974 DIGITAL EQUIPMENT CORPORATION"

D
C
B
A

D
C
B
A

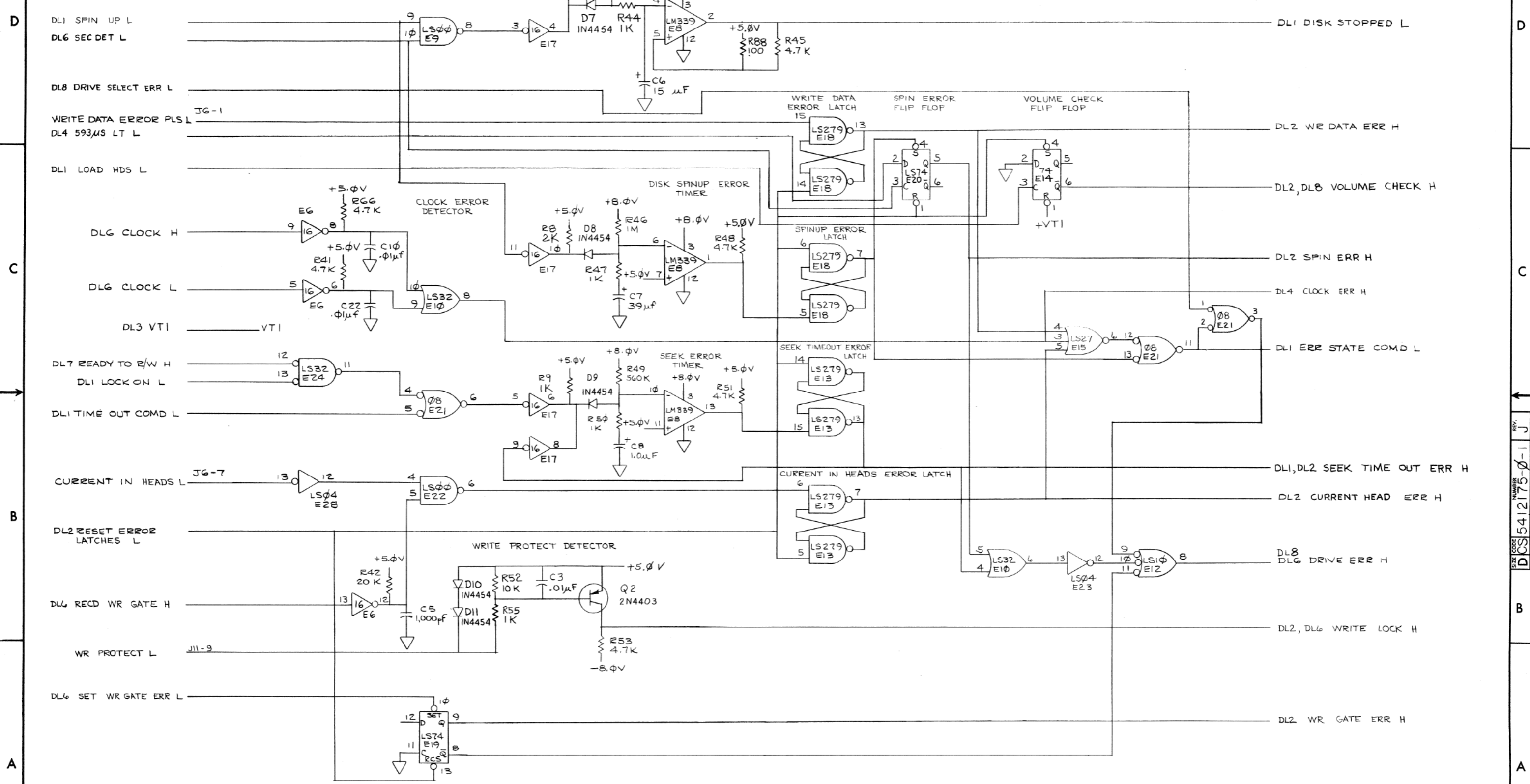


VEL	VEL SIG	DET V	CODE		
			MSB	LSB	
25.6 IPS	3.79 V	3.80 V	1	1	1
19.2 IPS	2.84 V	2.86 V	0	1	1
12.8 IPS	1.89 V	1.85 V	0	0	1
0	0	0	0	0	0



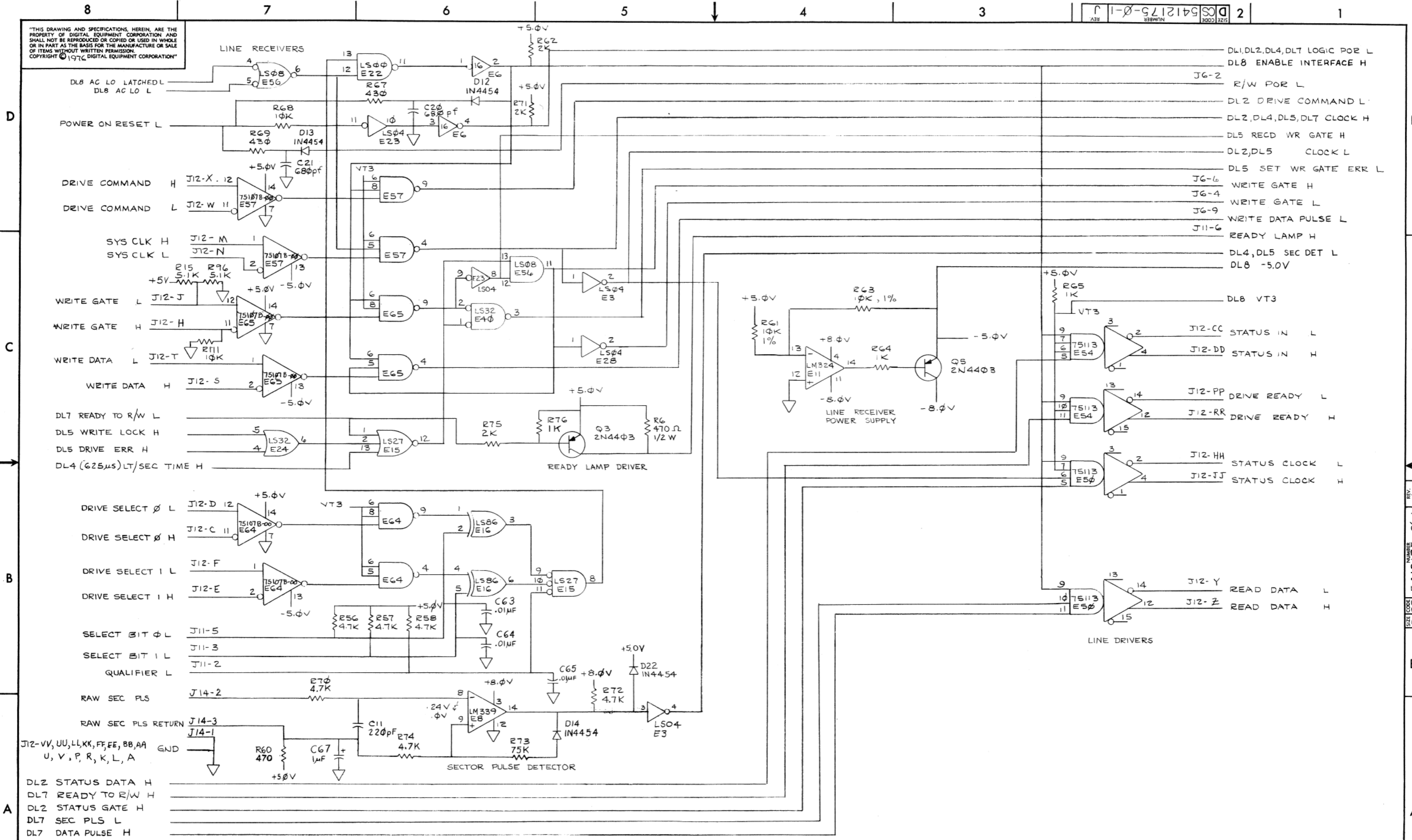
REVISIONS		
CHK	CHANGE NO.	REV.

"THIS DRAWING AND SPECIFICATIONS, HEREIN, ARE THE PROPERTY OF DIGITAL EQUIPMENT CORPORATION AND SHALL NOT BE REPRODUCED OR COPIED OR USED IN WHOLE OR IN PART AS THE BASIS FOR THE MANUFACTURE OR SALE OF ITEMS WITHOUT WRITTEN PERMISSION. COPYRIGHT © 1976 DIGITAL EQUIPMENT CORPORATION"



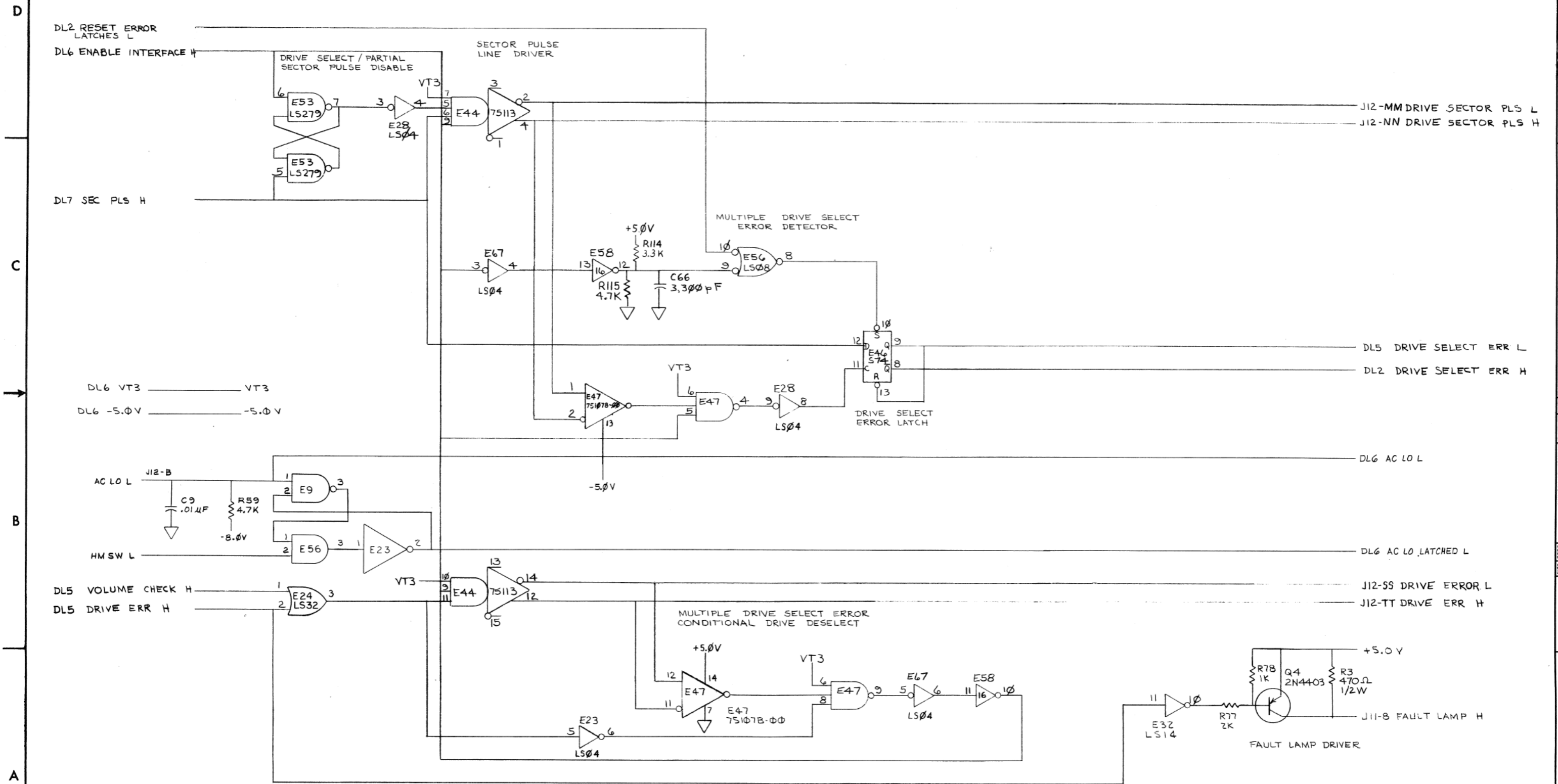
REVISIONS		
CHK	CHANGE NO.	REV.

"THIS DRAWING AND SPECIFICATIONS, HEREIN, ARE THE PROPERTY OF DIGITAL EQUIPMENT CORPORATION AND SHALL NOT BE REPRODUCED OR COPIED OR USED IN WHOLE OR IN PART AS THE BASIS FOR THE MANUFACTURE OR SALE OF ITEMS WITHOUT WRITTEN PERMISSION. COPYRIGHT © 1976 DIGITAL EQUIPMENT CORPORATION"



REVISIONS		
CHK	CHANGE NO.	REV.

"THIS DRAWING AND SPECIFICATIONS, HEREIN, ARE THE PROPERTY OF DIGITAL EQUIPMENT CORPORATION AND SHALL NOT BE REPRODUCED OR COPIED OR USED IN WHOLE OR IN PART AS THE BASIS FOR THE MANUFACTURE OR SALE OF ITEMS WITHOUT WRITTEN PERMISSION. COPYRIGHT © 1976 DIGITAL EQUIPMENT CORPORATION"



REVISIONS		
CHK	CHANGE NO.	REV.

DIGITAL EQUIPMENT CORPORATION

PARTS LIST

MADE BY R. HILL
 DATE 7 April 76
 ENG DATE

CHECKED *Burnell*
 DATE 2-24-77
 PROD DATE

SECTION ISSUED SECTION

ITEM NO.	DRAWING NO.	PART NO.	DESCRIPTION	QUANTITY / VARIATION	NOTES:	REF DESIGNATION
57		1314120-00	RESISTOR 78.7K 1/4W 1%	1		R26
58		1300447-00	RESISTOR 4.7K 1/4W 5%	21		R12, R27, R28, R29, R35, R36, R39, R41, R45, R48, R51, R53
59		1302666-00	RESISTOR 10M 1/4W 5%	1		R113
60		1313589-00	RESISTOR 1.40 K 1/4W 1%	1		R84
61		1300315-00	RESISTOR 470 OHM 1/2W 5%	3		R3, R4, R6
62		1513489-00	TRANSISTOR 2N4401	3		Q8, Q11, Q13
63		1513490-00	TRANSISTOR 2N4403	11		Q1, Q2, Q3, Q4, Q5, Q6, Q7, Q9, Q10, Q12, Q14
64		1513697-00	TRANSISTOR 2N5640	1		Q15
65		1913414-00	IC DEC LS14	1		E32
66		1910155-00	IC DEC 7408	2		E59, E21
67		1909928-00	IC DEC 7416	3		E6, E17, E58
68		1910268-00	IC DEC 75107B-00	4		E47, E57, E64, E65
69		1910536-00	IC DEC 74S10	1		E37
70		1910544-00	IC DEC 74S74	1		E46
71		1911341-00	IC DEC 75113	3		E44, E50, E54
72		1912107-01	IC DEC LM324 AN	1		E11
73		1912108-00	IC DEC 339	3		E8, E34, E61
74		1912799-00	IC DEC LS00	2		E9, E22
75		1912801-00	IC DEC LS02	1		E33
76		1912803-00	IC DEC LS04	5		E3, E23, E28, E45, E67
77		1912805-00	IC DEC LS08	3		E26, E56, E62
78		1912807-00	IC DEC LS10	1		E12
79		1912813-00	IC DEC LS27	1		E15
80		1912816-00	IC DEC LS32	3		E10, E24, E40
81		1910046-00	IC DEC 7442	1		E52
82		1905547-00	IC DEC 7474	1		E14
83		1912824-00	IC DEC LS74	6		E4, E19, E20, E48, E49, E55
84		1912829-00	IC DEC LS86	1		E16

ECO. NO.

THIS DRAWING AND SPECIFICATIONS, HEREIN, ARE THE PROPERTY OF DIGITAL EQUIPMENT CORPORATION AND SHALL NOT BE REPRODUCED OR COPIED OR USED IN WHOLE OR IN PART WITHOUT THE WRITTEN PERMISSION OF THE MANUFACTURE OR SALE OF ITEMS WITHOUT WRITTEN PERMISSION. COPYRIGHT © 1977. DIGITAL EQUIPMENT CORPORATION.

EN01140A:16-R2761325 DRB 125

DRIVE LOGIC

ASSY NO. D-UR-5412175-0-0

SIZE CODE B PL

NUMBER 5412175-0-0

REV. F

QUANTITY / VARIATION SHEET 3 OF 4

INSERTION PARTS LIST DATA BASE REV

DIGITAL EQUIPMENT CORPORATION

PARTS LIST

MADE BY R. HILL
 DATE 7 April 76
 ENG DATE

CHECKED *Burnell*
 DATE 2-24-77
 PROD DATE

SECTION ISSUED SECTION

ITEM NO.	DRAWING NO.	PART NO.	DESCRIPTION	QUANTITY / VARIATION	NOTES:	REF DESIGNATION
85		1912837-00	IC DEC LS123	1		E25
86		1912854-00	IC DEC LS193	3		E39, E41, E42
87		1912855-00	IC DEC LS195	5		E27, E30, E35, E38, E51
88		1912857-00	IC DEC LS197	4		E1, E2, E5, E66
89		1912864-00	IC DEC LS279	5		E7, E13, E18, E29, E53
90		23445A2-00	ROM IM5603A (VELOCITY)	1		E43
91		23371A2-00	ROM IM5603A (SEEK)	1		E36
92		23368A2-00	ROM IM5603A (STATE)	1		E31
93		23444A2-00	ROM IM5603A (COUNT)	1		E60
94		1214813-00	SOCKET, (ROM) 16 PIN TERMINAL, TURRET	4		(E31, E36, E43, E60)
95		9007791-00	DIODE 1N4152 (D035)	13		TP1 thru TP13
96		1114117-00	RESISTOR, 1.00 K 1/4W 1% MF	5		D1, D2, D3, D4, D5
97		1303114-00	RESISTOR, 30 AWG	2		R2, R86
98		10105740-55	WIRE, 30 AWG	AR		E63
99		1912697-00	IC DEC LS174	1		R49
100		1312992-00	RESISTOR, 560K, 1/4W, 5%, CC	1		R42
101		1302391-00	RESISTOR, 20K, 1/4W, 5%, CC	1		

ECO. NO.

THIS DRAWING AND SPECIFICATIONS, HEREIN, ARE THE PROPERTY OF DIGITAL EQUIPMENT CORPORATION AND SHALL NOT BE REPRODUCED OR COPIED OR USED IN WHOLE OR IN PART WITHOUT THE WRITTEN PERMISSION OF THE MANUFACTURE OR SALE OF ITEMS WITHOUT WRITTEN PERMISSION. COPYRIGHT © 1977. DIGITAL EQUIPMENT CORPORATION.

EN01140A:16-R2761325 DRB 125

DRIVE LOGIC

ASSY NO. D-UR-5412175-0-0

SIZE CODE B PL

NUMBER 5412175-0-0

REV. F

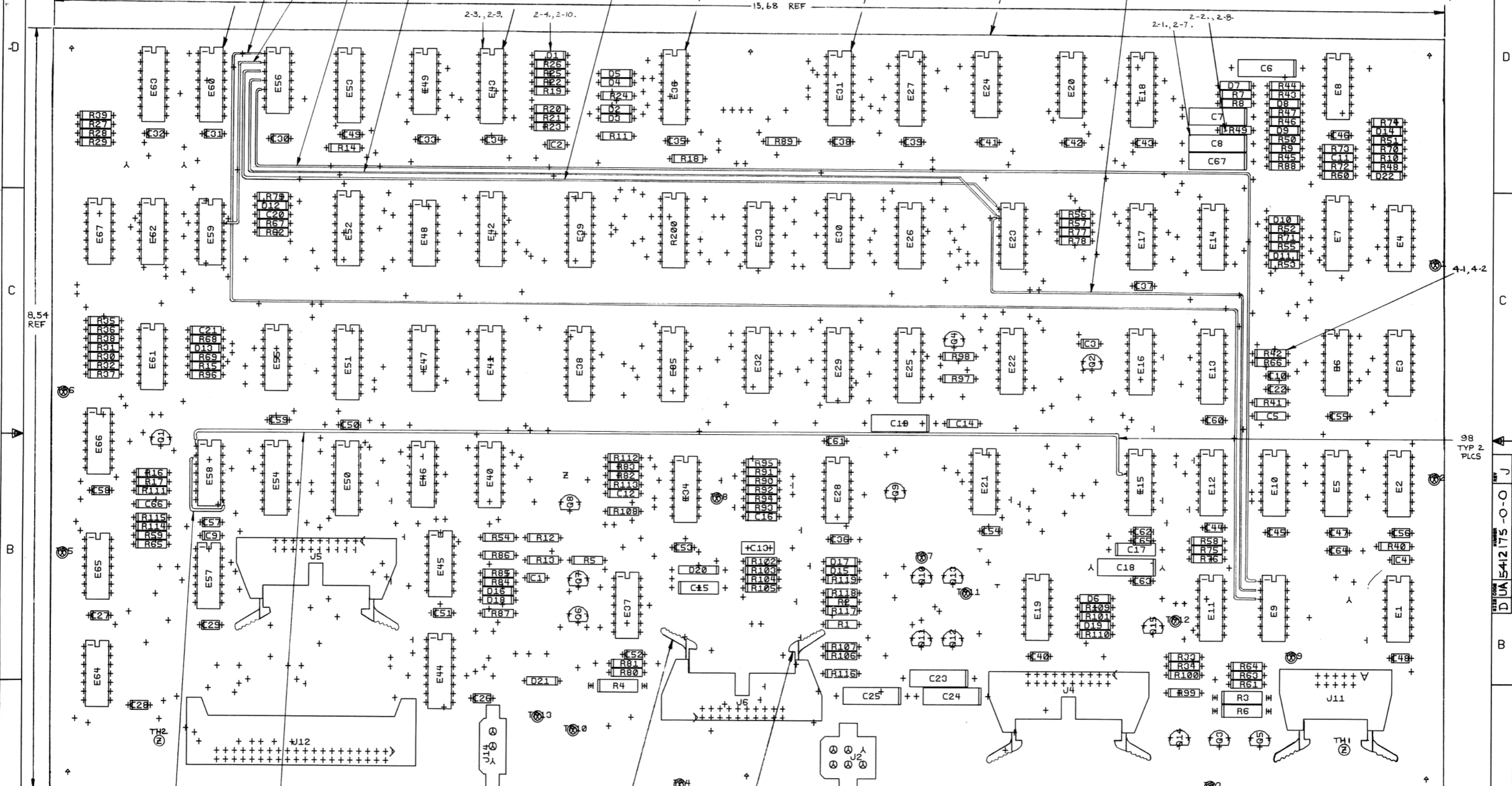
QUANTITY / VARIATION SHEET 4 OF 4

INSERTION PARTS LIST DATA BASE REV

THIS DRAWING AND SPECIFICATIONS, HEREIN, ARE THE PROPERTY OF DIGITAL EQUIPMENT CORPORATION AND SHALL NOT BE REPRODUCED OR COPIED OR USED IN WHOLE OR IN PART AS THE BASIS FOR THE MANUFACTURE OR SALE OF ITEMS WITHOUT WRITTEN PERMISSION.
 COPYRIGHT © 1977 DIGITAL EQUIPMENT CORPORATION

8 7 6 5 4 3 2 1
 D UA 5412175-0-0
 REV. 2
 15, 68 REF

COMPONENT SIDE VIEW



NOTES:
 1. B HOLES .0465 (+.0000-.0045) MAYNARD ONLY

CHK	CHANGE	NO	REV
1	RELEASED	37	C
2	RELEASED	37	C
3	RELEASED	37	C
4	RELEASED	37	C
5	RELEASED	37	C
6	RELEASED	37	C
7	RELEASED	37	C
8	RELEASED	37	C
9	RELEASED	37	C
10	RELEASED	37	C
11	RELEASED	37	C
12	RELEASED	37	C
13	RELEASED	37	C
14	RELEASED	37	C
15	RELEASED	37	C
16	RELEASED	37	C
17	RELEASED	37	C
18	RELEASED	37	C
19	RELEASED	37	C
20	RELEASED	37	C
21	RELEASED	37	C
22	RELEASED	37	C
23	RELEASED	37	C
24	RELEASED	37	C
25	RELEASED	37	C
26	RELEASED	37	C
27	RELEASED	37	C
28	RELEASED	37	C
29	RELEASED	37	C
30	RELEASED	37	C
31	RELEASED	37	C
32	RELEASED	37	C
33	RELEASED	37	C
34	RELEASED	37	C
35	RELEASED	37	C
36	RELEASED	37	C
37	RELEASED	37	C
38	RELEASED	37	C
39	RELEASED	37	C
40	RELEASED	37	C
41	RELEASED	37	C
42	RELEASED	37	C
43	RELEASED	37	C
44	RELEASED	37	C
45	RELEASED	37	C
46	RELEASED	37	C
47	RELEASED	37	C
48	RELEASED	37	C
49	RELEASED	37	C
50	RELEASED	37	C
51	RELEASED	37	C
52	RELEASED	37	C
53	RELEASED	37	C
54	RELEASED	37	C
55	RELEASED	37	C
56	RELEASED	37	C
57	RELEASED	37	C
58	RELEASED	37	C
59	RELEASED	37	C
60	RELEASED	37	C
61	RELEASED	37	C
62	RELEASED	37	C
63	RELEASED	37	C
64	RELEASED	37	C
65	RELEASED	37	C
66	RELEASED	37	C
67	RELEASED	37	C
68	RELEASED	37	C
69	RELEASED	37	C
70	RELEASED	37	C
71	RELEASED	37	C
72	RELEASED	37	C
73	RELEASED	37	C
74	RELEASED	37	C
75	RELEASED	37	C
76	RELEASED	37	C
77	RELEASED	37	C
78	RELEASED	37	C
79	RELEASED	37	C
80	RELEASED	37	C
81	RELEASED	37	C
82	RELEASED	37	C
83	RELEASED	37	C
84	RELEASED	37	C
85	RELEASED	37	C
86	RELEASED	37	C
87	RELEASED	37	C
88	RELEASED	37	C
89	RELEASED	37	C
90	RELEASED	37	C
91	RELEASED	37	C
92	RELEASED	37	C
93	RELEASED	37	C
94	RELEASED	37	C
95	RELEASED	37	C
96	RELEASED	37	C
97	RELEASED	37	C
98	RELEASED	37	C
99	RELEASED	37	C

ETCH REV. D - P1
 P.C. DESIGN DATA BASE REV. D

SIGNATURES	DATE	TITLE
DRN. <i>Shylla Burnell</i>	7-19-77	digital
CHK'D. <i>S. Burnell</i>	7-19-77	
ENG.		DRIVE LOGIC
PROJ. ENG.		
PROD.		
SCALE 2:1		
SHT. 1 OF 4		
NEXT HIGHER ASSY. B-DD-5412175-0		