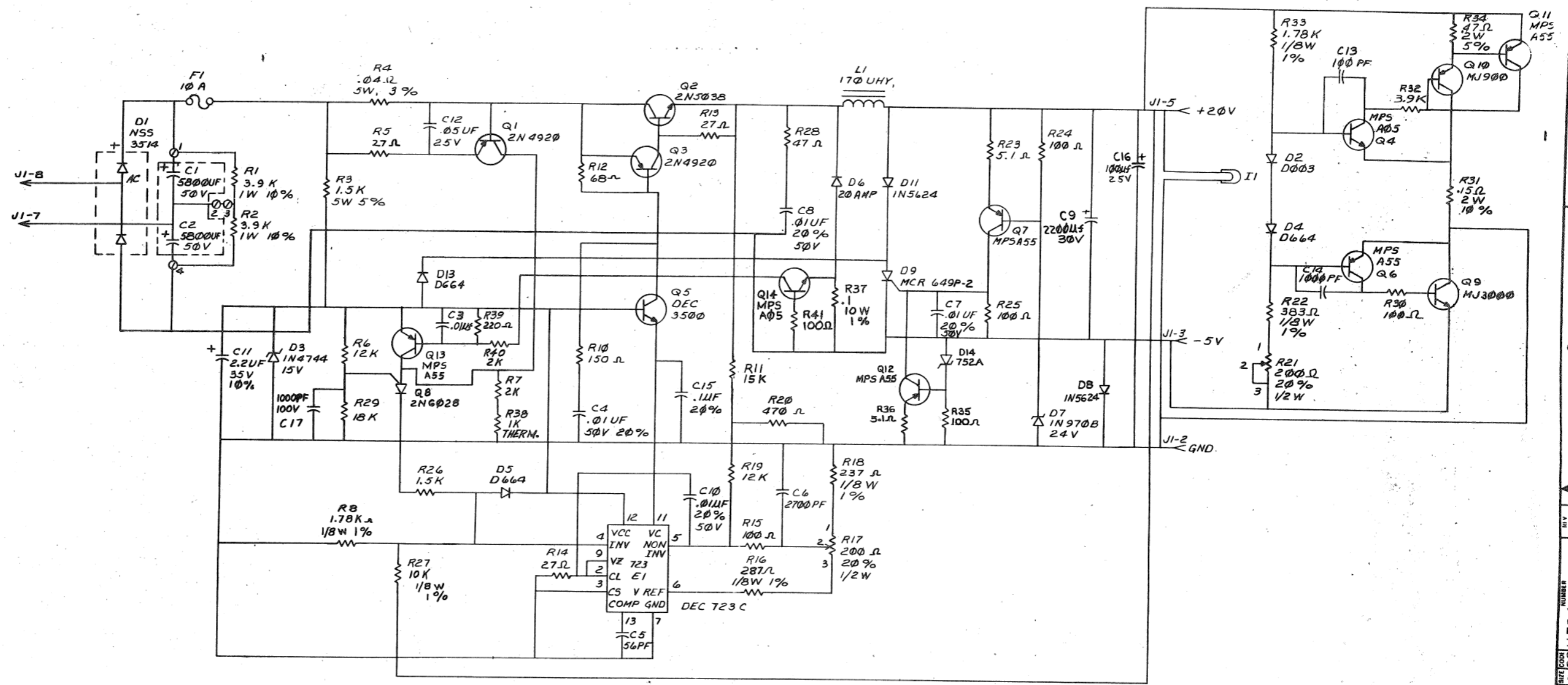




This drawing and specifications remain the property of Digital Equipment Corporation and shall not be reproduced or copied or used in whole or in part as the basis for the manufacture or sale of items without written permission.

© 1972 DIGITAL EQUIPMENT CORPORATION



REV	CHANGE NO	DATE	BY	CHK
F	H754 00005	4-29-72	G.WHITCOMB	

DEC FORM NO DRD 102-B

FIRST USED ON OPTIGN/MODEL	QTY.	DESCRIPTION	PART NO.	ITEM NO.
H754				
UNLESS OTHERWISE SPECIFIED DIMENSION IN INCHES TOLERANCES				
DECIMALS	ANGLES	PARTS LIST		
.XXX = .005	±0° 30'	DRN	U. Guinville	DATE 8-27-72
.XX = .02		CHK	J. B.	DATE 16-12
.X = .1		ENG.	R. B.	DATE 5-2-73
REMOVE BURRS AND BREAK SHARP CORNERS SURFACE QUALITY		PROJ ENG	R. B.	DATE 5-2-73
MATERIAL		PROD.	R. B.	DATE 5-2-73
FINISH		TITLE		
		+20 VOLT REGULATOR		
		NEXT HIGHER ASSY.		
		SIZE CODE	NUMBER	REV.
		DCS H754-0-1		F
		SCALE		
		SHEET	2 OF 2	

REV. F  
DCS H754-0-1