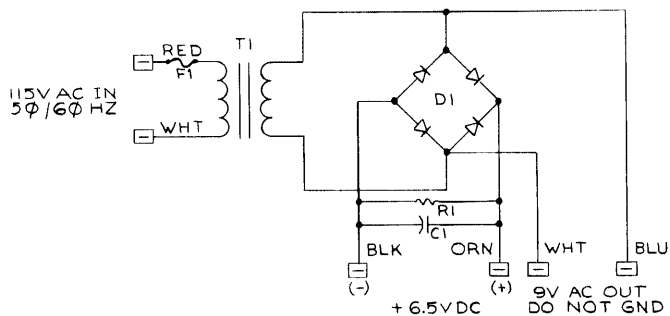


THIS SCHEMATIC IS FURNISHED ONLY FOR TEST AND MAINTENANCE PURPOSES. THE CIRCUITS ARE PROPRIETARY IN NATURE AND SHOULD BE TREATED ACCORDINGLY. COPYRIGHT BY DIGITAL EQUIPMENT CORPORATION



| | | |
|-----------------|---------------------|--------------|
| F1 | 1/2 AMP S.B. FUSE | 9007209 |
| R1 | 5ohm 25W RES | 1300165 |
| C1 | 18000MFD 10V DC CAP | 1009437 |
| | PARTS LIST | D-UA-716-0-0 |
| T1 | XMFR*F64-U TRIAD | 1609588 |
| D1 | DIODE PACK DM-2 | 1105397 |
| REF DESIGNATION | DESCRIPTION | PART NO. |

PARTS LIST

| REVISIONS | CHK'D | DATE |
|-----------|-----------|---------|
| 1 | RAYMOND D | 5-18-69 |
| 2 | HEALY | 5-25-69 |
| 3 | VONADA | 7-21-69 |
| 4 | ANTONUCCI | 7-25-69 |

| OWN | DATE | TRANSISTOR & DIODE CONVERSION CHART | | | |
|-----------|---------|-------------------------------------|-----|-----|-----|
| CHK'D | DATE | DEC | EIA | DEC | EIA |
| RAYMOND D | 5-18-69 | | | | |
| HEALY | 5-25-69 | | | | |
| VONADA | 7-21-69 | | | | |
| ANTONUCCI | 7-25-69 | | | | |

| OWN | DATE | TRANSISTOR & DIODE CONVERSION CHART | | | |
|-----------|---------|-------------------------------------|-----|-----|-----|
| CHK'D | DATE | DEC | EIA | DEC | EIA |
| RAYMOND D | 5-18-69 | | | | |
| HEALY | 5-25-69 | | | | |
| VONADA | 7-21-69 | | | | |
| ANTONUCCI | 7-25-69 | | | | |

digital
EQUIPMENT CORPORATION
MAYNARD, MASSACHUSETTS

TITLE: CIRCUIT SCHEMATIC
716
NUMBER: 716-0-1
REV: C

Pink