

# CABINETS

## TYPES CAB-1, CAB-2, CAB-3, CAB-6, CAB-8

### HARDWARE ACCESSORIES

Digital offers a variety of cabinets which can be used to build up special systems.

The Type CAB-1 can be used alone or in multicabinet systems where only one control cabinet or indicator cabinet is desired. The standard cabinet has full length French doors for access to logic wiring.

The Type CAB-2 cabinet is used where many controls and indicators are required. No French doors are provided in front.

The Type CAB-3 is intended as an expander cabinet for the PDP-8. The cabinet has French doors in the front above the table top. In addition to use as an expander cabinet, the CAB-3 provides a means of ready access to the front of the system.

The Type CAB-6 can be used with other cabinets or as a remote indicator cabinet. The French doors give access to logic wiring. The brushed aluminum, clear anodized panel is placed at a convenient height for viewing indicators.

All cabinets are alike with the exception of end panels and the French door configuration. All cabinets come, as shown, with fan, fan housing, and filter. A plenum door for mounting power supplies is provided in the rear behind full length French doors. Casters are provided for mobility. All cables enter through an access cutout in the bottom of the cabinet.

The CAB-8A is a free-standing cabinet, with a winged table with legs. The logic modules are housed beneath this table and enclosed with short French doors. The CAB-8A is not expandable and, therefore,

not recommended for systems that have multiple bays bolted together.

The CAB-8B is similar to the CAB-8A with the exception of the table. The table is rectangular and is positioned so that other cabinets may be placed adjacent to the cabinet. The CAB-1 will normally be bolted to the left on the CAB-8B and the CAB-3 will normally be bolted to the right of the CAB-8B.

Cabinets can be factory assembled into multicabinet groups. Cabinet types can be mixed in one group except for the CAB-2, which has different end panel and trim details.

The cooling fan built into the bottom of each cabinet is adequate to ventilate up to 5¼ in. mounting panels of B-series FLIP CHIP modules mounted near the bottom of the cabinet. If the lower dissipation R-series modules of W or A series modules make up a significant portion of the system, more modules can be installed. Four-hundred watts is the maximum total power that should be dissipated in all of the modules mounted in any one cabinet. The top panel of each cabinet must be removed when FLIP CHIP modules are installed, and all side panels and plenum doors should be closed except during system checkout.

The price of the first cabinet includes end panels. The price of each additional cabinet includes the cabinet joining hardware. Cabinets are shipped assembled and on skids with the tables packed separately.

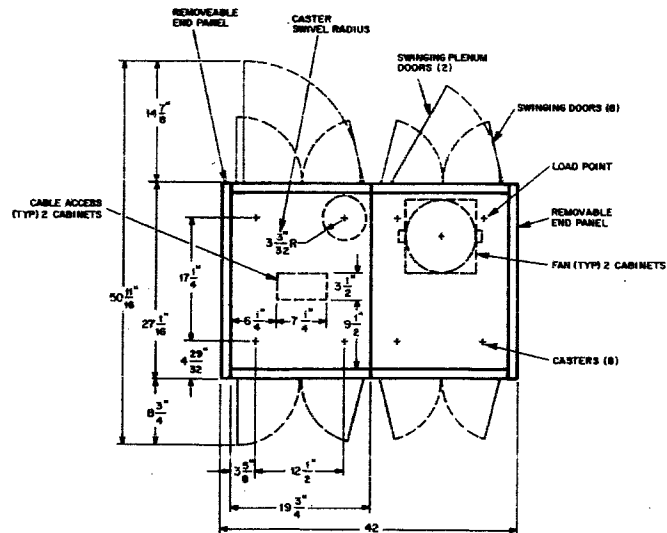
#### DIMENSIONS

##### Cabinet

42 in. wide  
27-1/16 in. deep  
69 1/8 in. high

##### SERVICE CLEARANCE

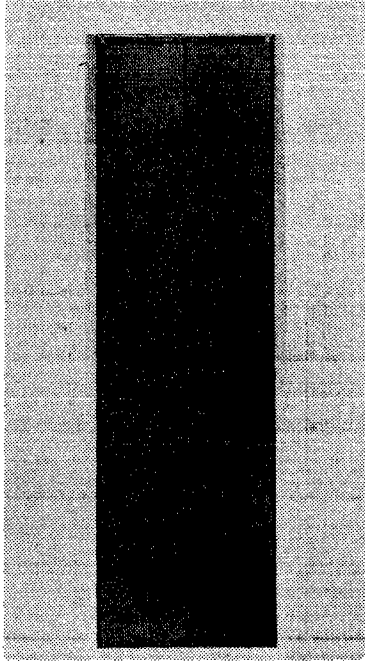
8 3/4 in. front  
14 7/8 in. rear



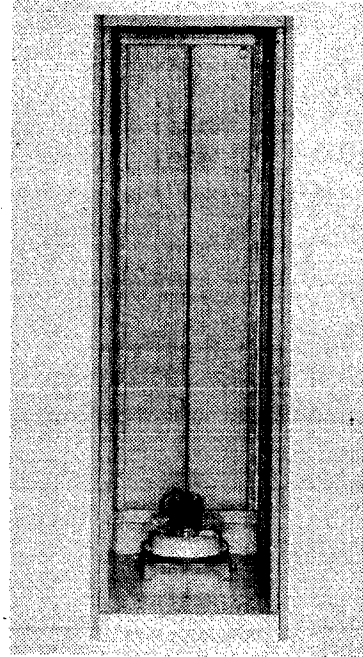
In addition to the 728 power supply, there are several other items especially designed for plenum door mounting. For example, there are the 1946 mounting

panel and the 734B marginal checking supply. Your nearest DEC sales office can supply details.

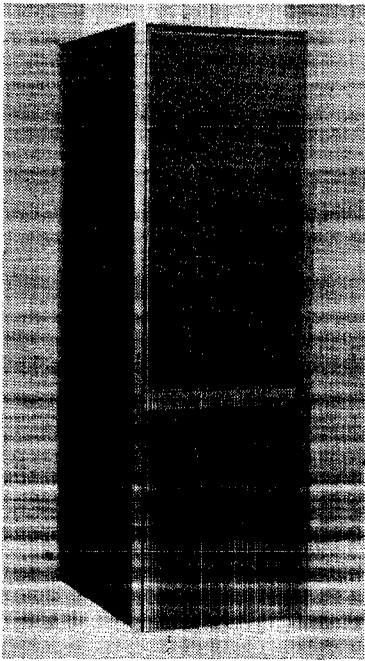
CAB-1 — \$700.00	CAB-6 — \$800.00
\$500.00	\$600.00
CAB-2 — \$700.00	CAB-8A — \$1,100.00
\$500.00	
CAB-3 — \$650.00	CAB-8B — \$1,000.00



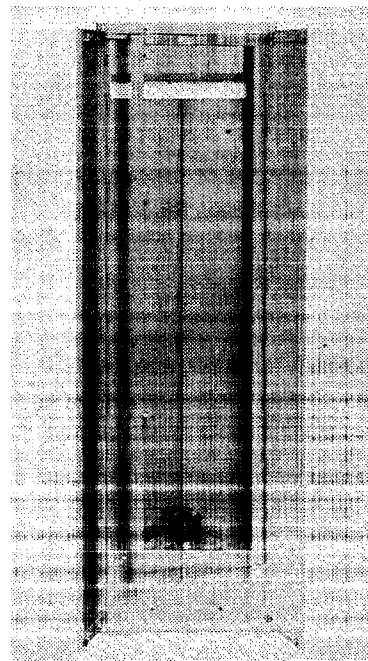
CAB-1



CAB-2

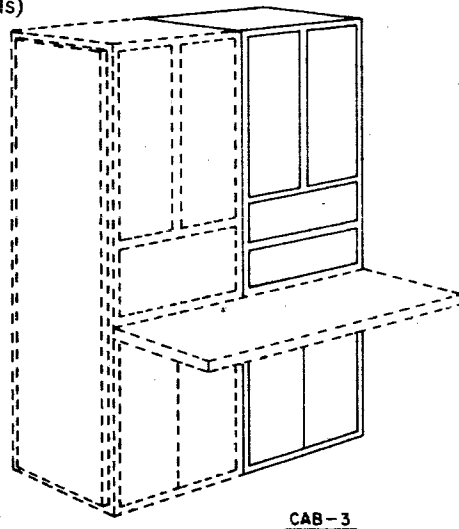
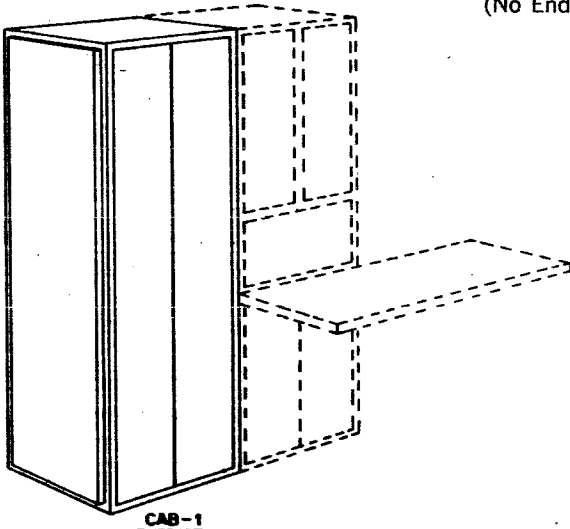


CAB-3



CAB-6 (Inside view)

EXPANDER CABINETS  
(No End Panels)



FREE-STANDING  
CABINETS

