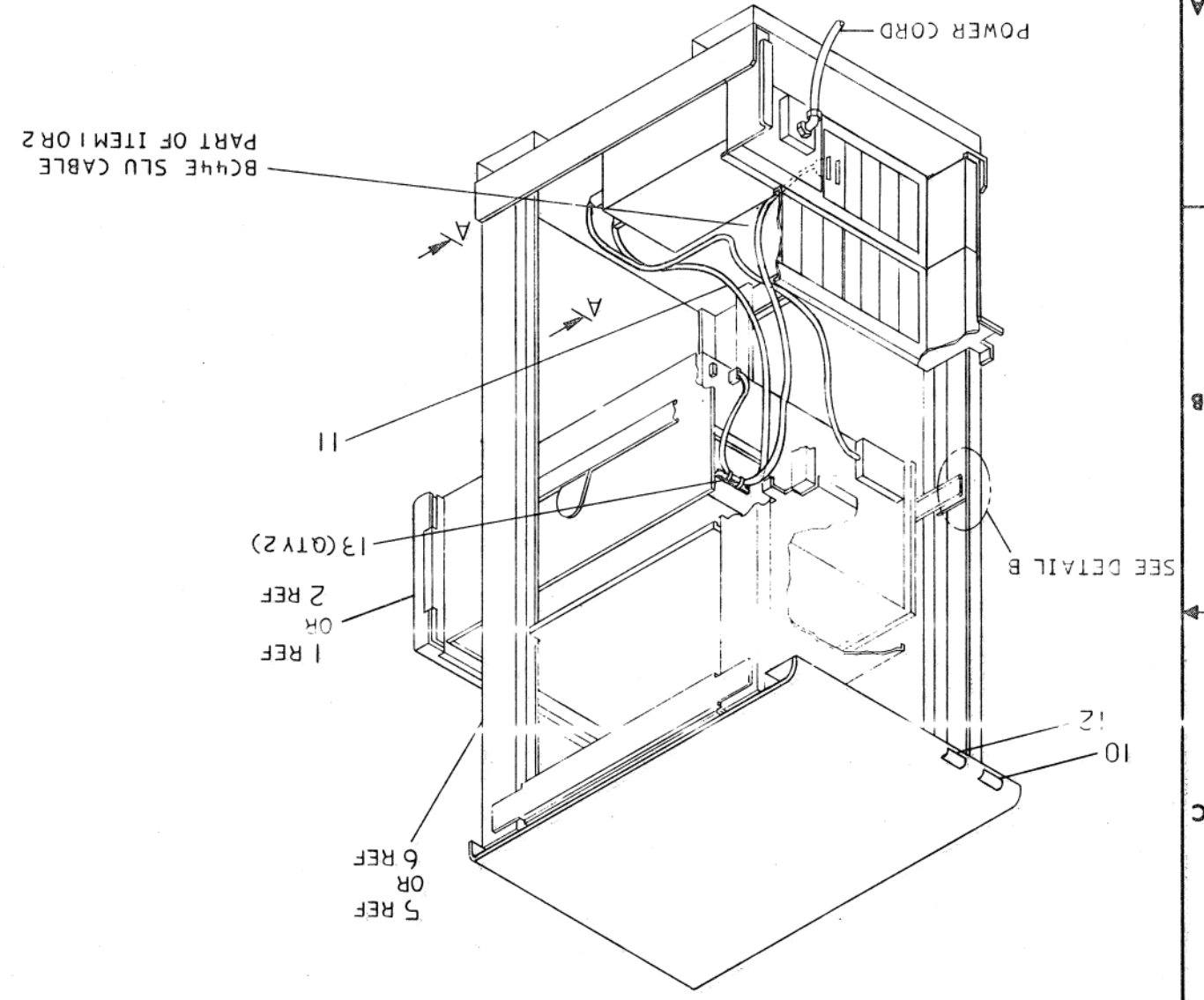


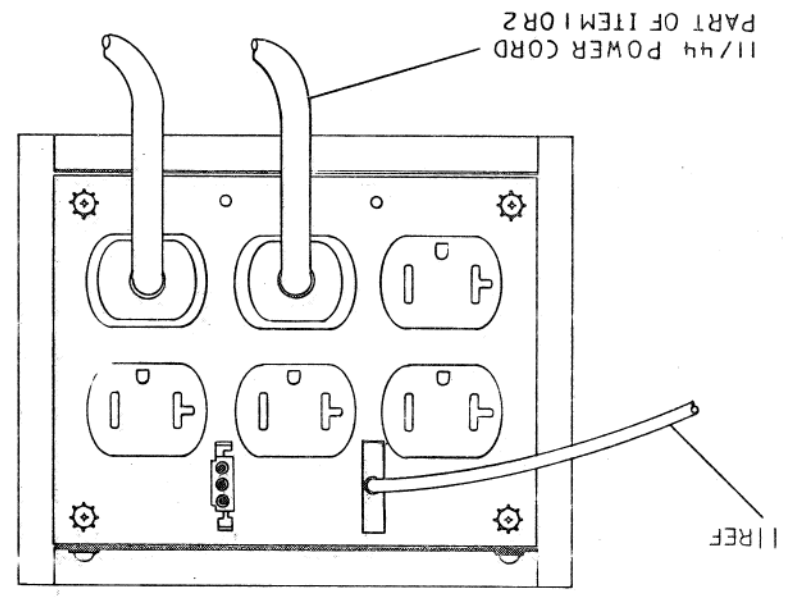
DATE	ECO NUMBER	REV	8
REVISION HISTORY			
1	ML1	3	
2			
3			
4			
5			
6			
7			
8			
TITLE		11/44 CPU	
DRAWING NUMBER		11X44-F-0	
SCALE		NONE	
SHEET		2 OF 3	
REV		A	

REAR VIEW
VARIATION FA & FB ONLY

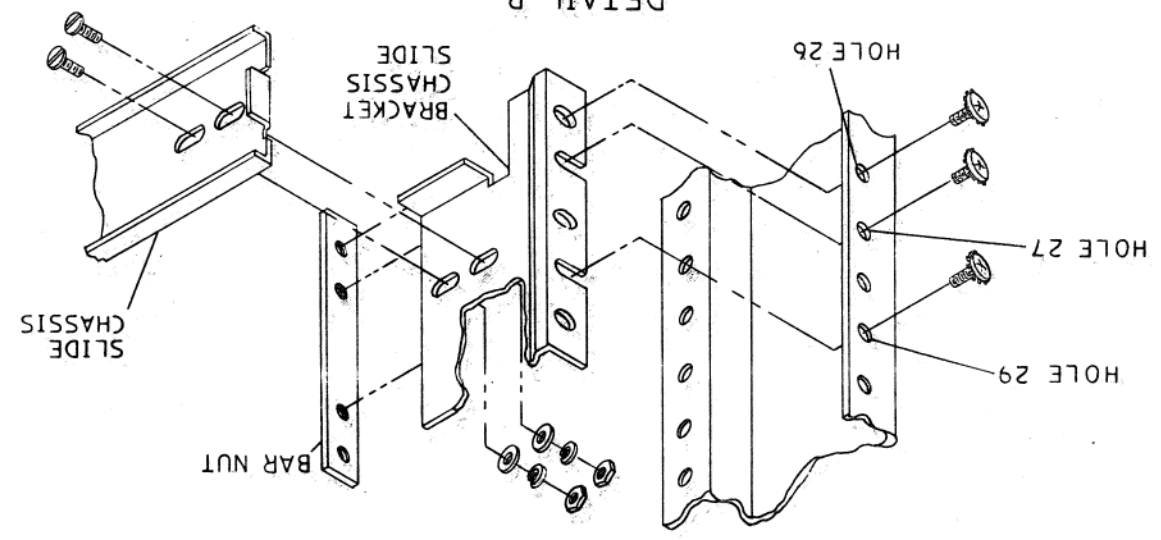


SEE DETAIL B

VIEW A-A
SCALE: NONE



DETAIL B
SCALE: NONE
TYP 4 PLACES



11X44-F-0 A

THIS DRAWING AND SPECIFICATIONS, HEREIN ARE THE PROPERTY OF DIGITAL EQUIPMENT CORPORATION AND SHALL NOT BE REPRODUCED OR COPIED IN WHOLE OR IN PART, OR BASED THEREON FOR REPRODUCTION OR SALE OF THIS DRAWING WITHOUT WRITTEN PERMISSION. COPYRIGHT © 1983 DIGITAL EQUIPMENT CORPORATION.

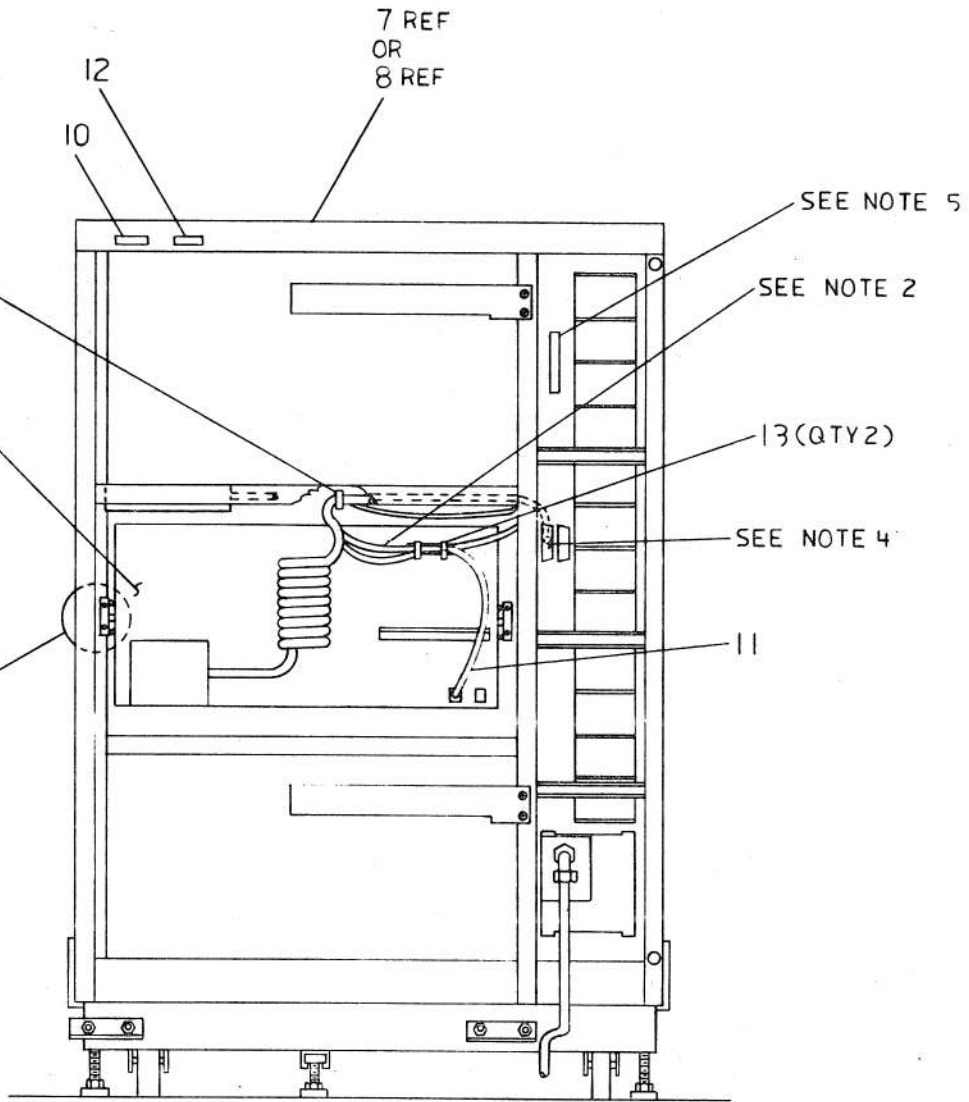
11X44-F-0 A

8
 THIS DRAWING AND SPECIFICATIONS HEREIN ARE THE PROPERTY OF DIGITAL EQUIPMENT CORPORATION AND SHALL NOT BE REPRODUCED OR COPIED OR USED IN WHOLE OR IN PART AS THE BASIS FOR THE MANUFACTURE OR SALE OF ITEMS WITHOUT WRITTEN PERMISSION. COPYRIGHT © 1983 DIGITAL EQUIPMENT CORPORATION.

DUA 11X44-F-0

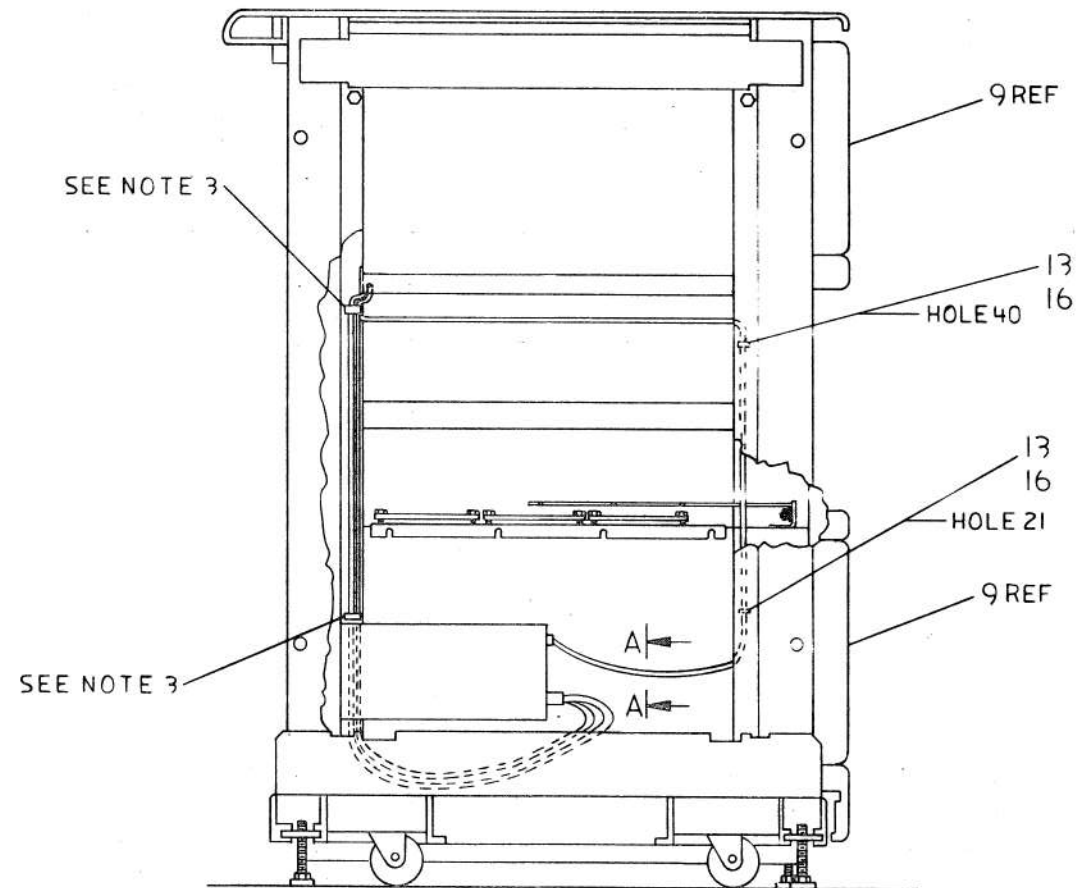
D
C
B
A

D
C
B
A



REAR VIEW

VARIATION FC & FD ONLY



LEFT SIDE VIEW

REVISION HISTORY		
DATE	ECO NUMBER	REV.

TITLE 11/44 CPU
 KERNEL, 11/44-F

DOCUMENT NUMBER		
SIZE CODE	NUMBER	REV.
DUA	11X44-F-0	A
SCALE NONE	SHEET 3 OF 3	

8 7 6 5 4 3 2 1 MLI

AUTOMATED BY PRTLST.4Q(50)

PARTS LIST

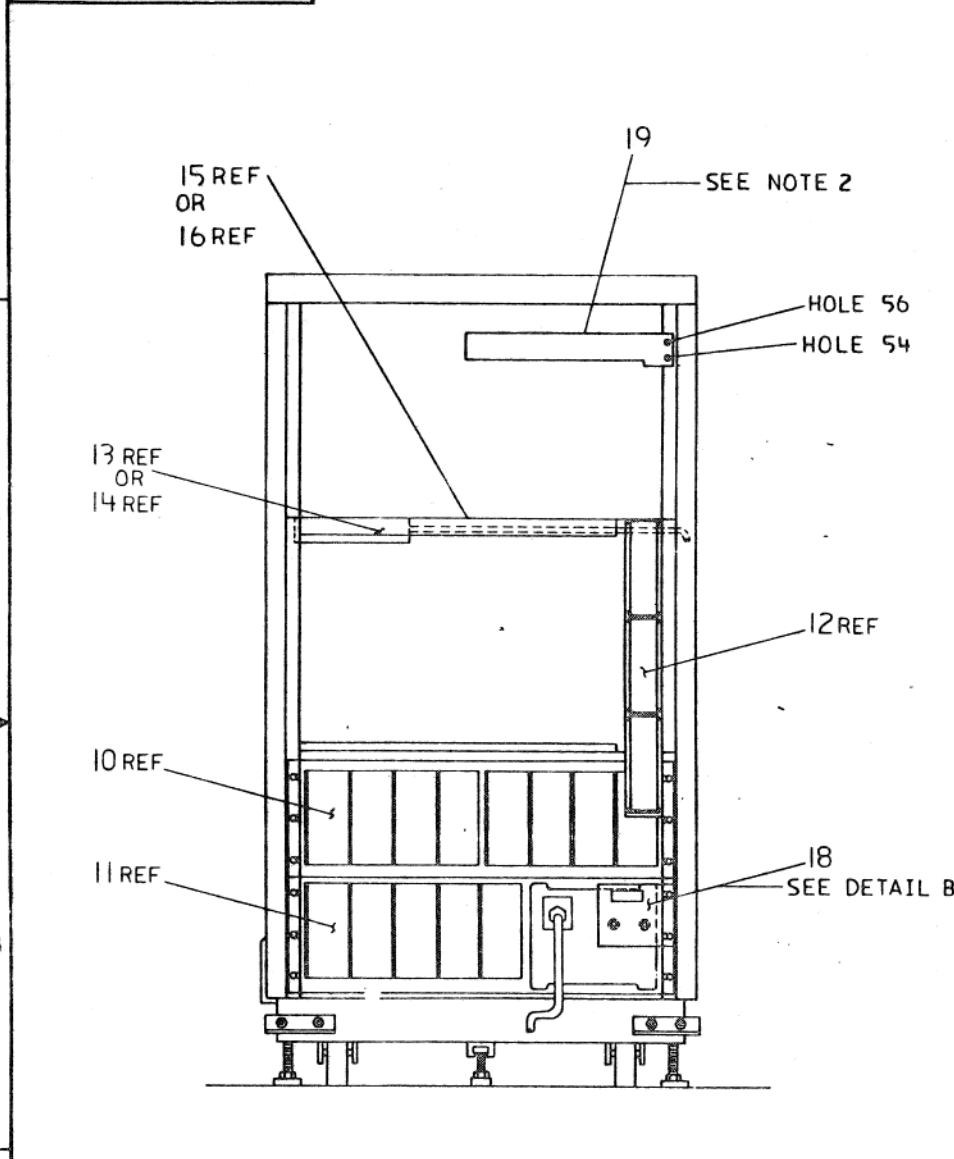
SHEET A1 OF A1

LINE	ITEM	DOCUMENT NUMBER	PART NUMBER	DESCRIPTION	QUANTITY PER VARIATION			
					FA	FB	FC	FD
1	1	E-UA-11/44-0-0	11/44-FX	KD11-Z, KK11-B, M9302, BA11-AA, BC44	1	-	1	-
2	2	E-UA-11/44-0-0	11/44-FY	KD11-Z, KK11-B, M9302, BA11-AB, BC44	-	1	-	1
3	3	K-PL-MS11-P-DBP	OMS11-PB	1MB ECC MOS RAM (M8743-BA, 512K X	1	1	1	1
4	4	B-UA-BC22D-0-0	BC22D-25	25FT CABLE, ASYNC, NULL MODEM, 6 WI	1	1	1	1
5	5	D-UA-7020753-0-0	7020753-01	SINGLE BAY SHIELDED CPU CABINET	1	-	-	-
6	6	D-UA-7020753-0-0	7020753-02	SINGLE BAY SHIELDED CPU CAB (240	-	-	-	-
7	7	D-UA-7020754-0-0	7020754-01	WIDE BODY SHIELDED CPU CABINET	-	-	1	-
8	8	D-UA-7020754-0-0	7020754-02	WIDE BODY SHIELDED CPU CAB 240V	-	-	-	1
9	9	K-PL-H9504-U-0	H9504-UC	10 1/2" BLANK FRONT PANEL, 68 GRE	1	1	2	2
10	10	A-PS-3617880-0-0	3617880-02	LABEL, FCC, CLASS A, PROCESSOR	1	1	1	1
11	11	C-IA-7008288-0-0	7008288-10	CABLE	1	1	1	1
12	12	A-PS-3617674-0-0	3617674-01	LABEL, SERIAL/POWER W UL & CSA	1	1	1	1
13	13		9007032-00	TIE, CABLE BUNDL DIA 0-1-3/4"=101	2	2	4	4
14	14		9007089-00	CLAMP, CABLE, SCREW MTD. 3/4"	-	-	1	1
15	15		9006565-00	NUT, HEX EXT TOOTH LCKWSHR 10-32	-	-	1	1
16	16		9007867-00	MOUNT, PUSH, CABLE TIE	-	-	2	2
17	17	A-PA-3700436-0-0	3700436-06	CAB H9645 REPLACES VAR. 03	-	-	1	1
18	18	A-PA-3700436-0-0	3700436-10	PKG. CAB H9642/H9645/H9646	1	1	-	-

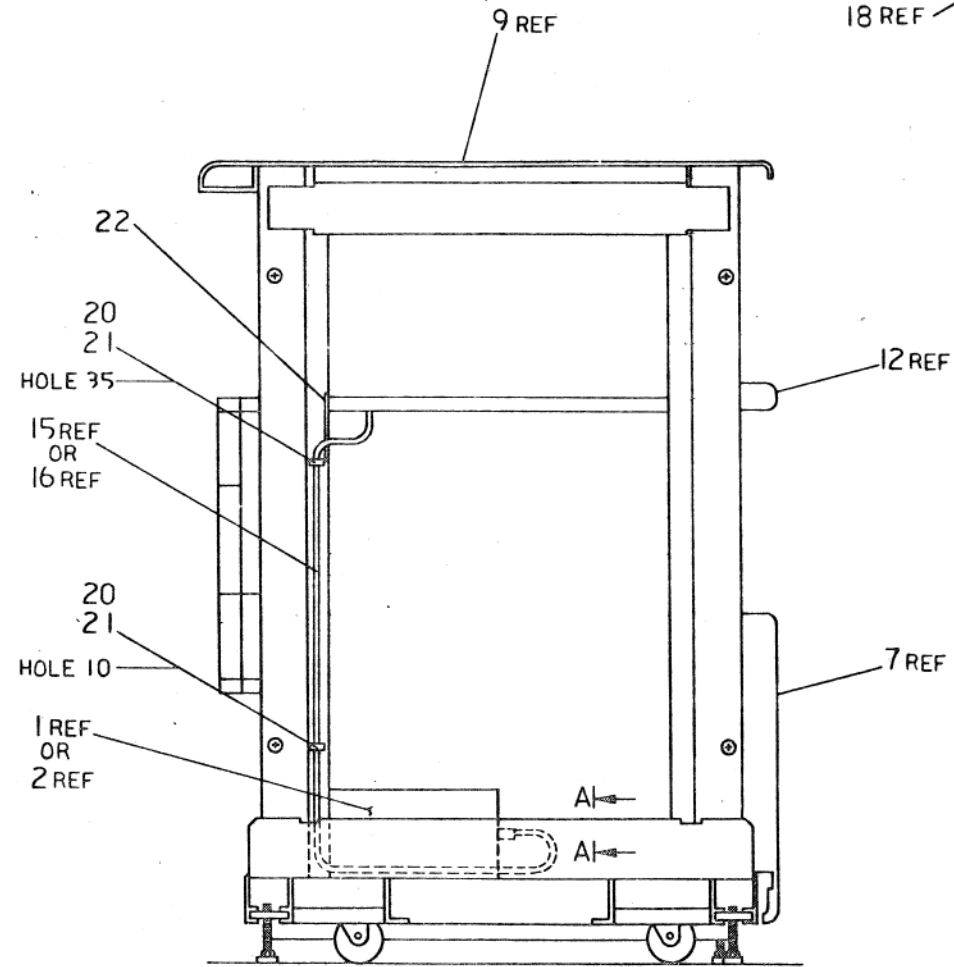
REVISION HISTORY		BASIC PART NO: 11X44		DRN: L BOURGAULT	DATE: 05-JUL-83	D I G I T A L		
ENG:	ECO NUMBER	REV	SECTION A OF A	CHK'D: D HEALY	DATE: 13-SEP-83	TITLE PARTS LIST		
	INITIAL	A	SECTION, VARIATION INDEX [A] FA,FB,FC,FD	DES.ENG.: R LEWIS	DATE: 13-SEP-83	11/44 CPU KERNEL, 11X44-F		
			[B]	RESP.ENG.: R LEWIS	DATE: 13-SEP-83	DOCUMENT NUMBER		
			[C]	MFG.ENG.: R. SMITH	DATE: 13-SEP-83	SIZE	CODE	NUMBER
			[D]	ASSEMBLY NUMBER: D-UA-11X44-F-0	TOP DOCUMENT NUMBER: #B-DD-11X44-F	K	PL	11X44-F-DBP
			[E]					REV A
			[F]					EDIT # 15
<p>"THIS DRAWING AND SPECIFICATIONS HEREIN, ARE THE PROPERTY OF DIGITAL EQUIPMENT CORPORATION AND SHALL NOT BE REPRODUCED OR COPIED OR USED IN WHOLE OR IN PART AS THE BASIS FOR THE MANUFACTURE OR SALE OF ITEMS WITHOUT WRITTEN PERMISSION. COPYRIGHT (C) 1983. DIGITAL EQUIPMENT CORPORATION"</p>								

8 6 5 4 3 2 1

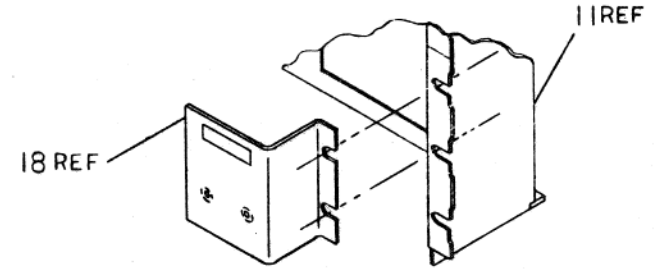
THIS DRAWING AND SPECIFICATIONS HEREIN ARE THE PROPERTY OF DIGITAL EQUIPMENT CORPORATION AND SHALL NOT BE REPRODUCED OR COPIED OR USED IN WHOLE OR IN PART AS THE BASIS FOR THE MANUFACTURE OR SALE OF ITEMS WITHOUT WRITTEN PERMISSION. COPYRIGHT © 1963 DIGITAL EQUIPMENT CORPORATION



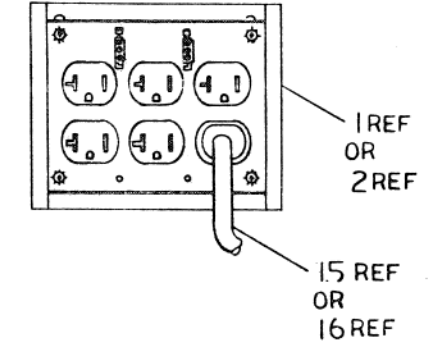
REAR VIEW
SHOWN WITH REAR DOOR
REMOVED.



LEFT SIDE VIEW
SHOWN WITH END PANELS AND
SHIELDING INSERTS REMOVED.



DETAIL B
SCALE: NONE



VIEW A-A
SCALE: NONE

D
C
B
A

REVISION HISTORY		
DATE	ECO NUMBER	REV

TITLE SINGLE BAY SHIELDED
CPU CABINET

DOCUMENT NUMBER		
SIZE	CODE	NUMBER
D	UA	7020753-0-0
SCALE	NONE	SHEET 2 OF 2

8 7 6 5 4 3 2 1 MLI

D C

LINE	ITEM	DOCUMENT NUMBER	PART NUMBER	DESCRIPTION	QUANTITY PER VARIATION	
					01	02
1	1	E-UA-877-0-DBU	00877-B	240V 12A FILTERED POWER CTL,4 SW	-	1
2	2	E-UA-877-0-DBU	00877-D	120V 2A FILTERED POWER CTL,4 SW	1	-
3	3	E-UA-H9542-F-0	H9542-FD	40" FRONT LOADING CAB FRAME (H95	1	1
4	4	E-UA-H9544-A-0	H9544-AA	40" END PANEL,GREY FRAME,BROWN I	2	2
5	5	E-UA-H9544-A-0	H9544-AE	SHIELDING INSERT,40" END PANEL	1	1
6	6	E-UA-H9544-B-DBU	H9544-BF	SHIELDED REAR DOOR,40" SINGLE WI	1	1
7	7	E-UA-H9544-E-0	H9544-EM	SHIELDED SHORT FRONT DOOR,18.25"	1	1
8	8	E-UA-H9544-H-0	H9544-HC	KIT OF 1 STABILIZER LEG WITH LEV	1	1
9	9	E-UA-H9544-L-0	H9544-LG	SHIELDED TOP COVER,40" SINGLE WI	1	1
10	10	E-AR-H9544-SB-DBU	H9544-SB	SHIELDED ADD-ON BULKHEAD,5.25",R	1	1
11	11	E-AR-H9544-SK-DBU	H9544-SK	PRIMARY BULKHEAD PANEL W 877 POW	1	1
12	12	E-AR-H9544-SM-DBU	H9544-SM	SHIELDING PARTITION KIT FOR H964	1	1
13	13		1221374-03	FILTER,EMI/RFI 120/240 LINE INTE	1	-
14	14		1221374-04	FILTER,EMI/RFI 120/240 LINE INTE	-	1
15	15		1700083-01	PWR CORD,TERM 3-14 SJT 250	-	1
16	16		1700083-02	PWR CORD,TERM 3-14 SJT 125	1	-
17	17		9009988-11	SCREW,SEMS HEX SLOT 6-	6	6
18	18	C-IA-7428849-0-0	7428849-01	BRACKET,DNA	1	1
19	19	D-UA-H026-0-0	0H026-00	CABLE RETRACTOR FOR RL01,RL02	1	1
20	20		9007867-00	MOUNT, PUSH,CABLE TIE	2	2
21	21		9007032-00	TIE,CABLE BUNDL.DIA 0-1-3/4"=101	2	2
22	22		9009718-04	GROMMET,STRIP STYRENE	1	1

23 NOTE: ITEM 19 ONLY REQUIRED WHEN A RL02 IS INSTALLED IN THE CABINET.

REVISION HISTORY			BASIC PART NO: 7020753			D I G I T A L			
ENG:	ECO NUMBER	REV	SECTION A OF A	DRN:	R STREEPER	DATE:	17-JUN-83	TITLE	PARTS LIST
---	INITIAL	A	SECTION. VARIATION INDEX	CHK'D:	D.HEALY	DATE:	04-AUG-83	SINGLE BAY SHIELDED CPU CABINET	
			[A] 01,02	DES.ENG.:	R LEWIS	DATE:	04-AUG-83	DOCUMENT NUMBER	
			[B]	RESP.ENG.:	R LEWIS	DATE:	04-AUG-83	SIZE	CODE
			[C]	MFG.ENG.:	R SMITH	DATE:	04-AUG-83	K	PL
			[D]	ASSEMBLY NUMBER:	D-UA-7020753-0-0	TOP DOCUMENT NUMBER:	#B-DD-7020753-0	NUMBER	REV
			[E]			FILE NAME:	Z6711A.PLS	7020753-0-DBP	A
			[F]			EDIT #	11		

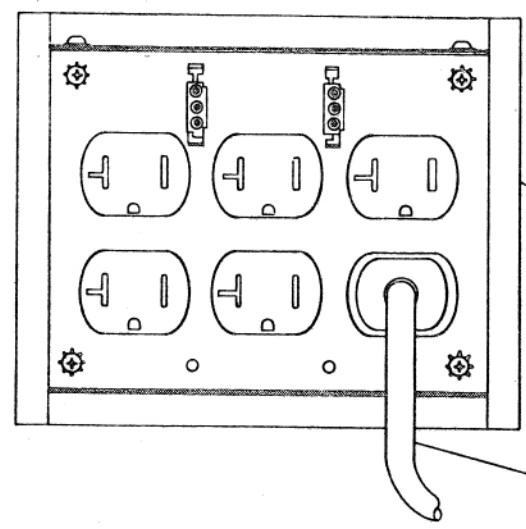
"THIS DRAWING AND SPECIFICATIONS HEREIN, ARE THE PROPERTY OF DIGITAL EQUIPMENT CORPORATION AND SHALL NOT BE REPRODUCED OR COPIED OR USED IN WHOLE OR IN PART AS THE BASIS FOR THE MANUFACTURE OR SALE OF ITEMS WITHOUT WRITTEN PERMISSION. COPYRIGHT (C) 1983. DIGITAL EQUIPMENT CORPORATION "

y&HK HH +3

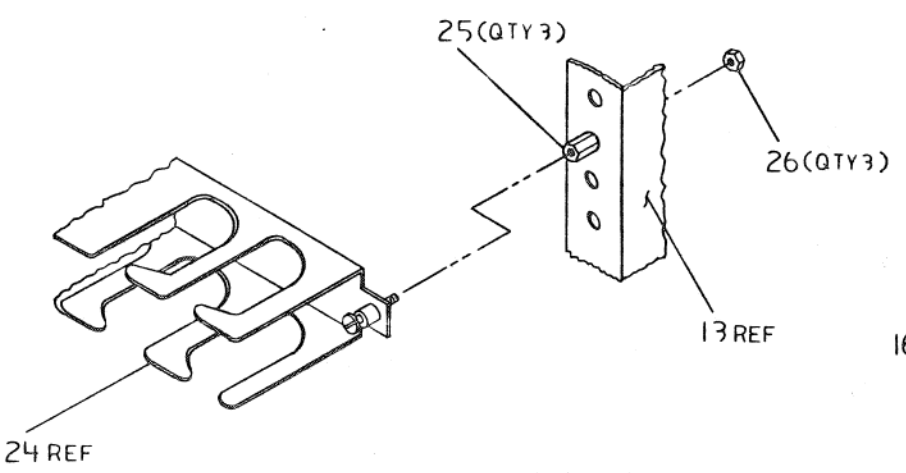
8 6 5 4 3 2 1

THIS DRAWING AND SPECIFICATIONS HEREIN ARE THE PROPERTY OF DIGITAL EQUIPMENT CORPORATION AND SHALL NOT BE REPRODUCED OR COPIED OR USED IN WHOLE OR IN PART AS THE BASIS FOR THE MANUFACTURE OR SALE OF ITEMS WITHOUT WRITTEN PERMISSION. COPYRIGHT © 1963 DIGITAL EQUIPMENT CORPORATION.

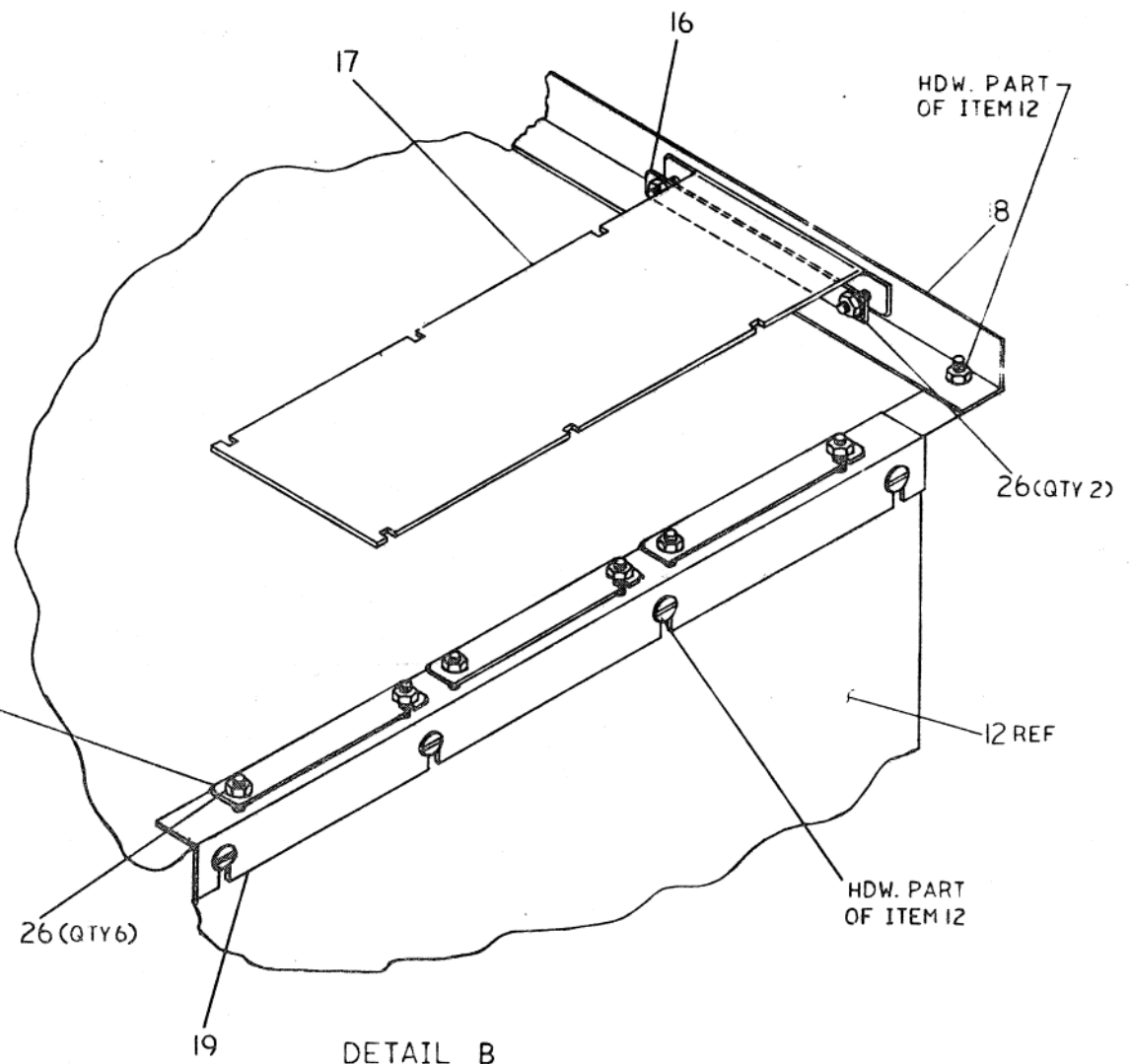
REV. A
DUA7020754-0-0



VIEW C-C



DETAIL A
SCALE: NONE
TYP 3 PLACES



DETAIL B
SCALE: NONE

REVISION HISTORY		
DATE	ECO NUMBER	REV

DRW 1374

8 7 6 5 4 3 2 1 MLI

TITLE WIDE BODY SHIELDED CPU CABINET

DOCUMENT NUMBER		
SIZE CODE	NUMBER	REV
D	UA7020754-0-0	A
SCALE NONE	SHEET 3	OF 3

D C B A
REV. A
DUA7020754-0-0

LINE ITEM	DOCUMENT NUMBER	PART NUMBER	DESCRIPTION	QUANTITY PER VARIATION	
				01	02
1	1	E-UA-877-0-DBU	00877-B	240V 12A FILTERED POWER CTL,4 SW	- 1
2	2	E-UA-877-0-DBU	00877-D	120V 2+A FILTERED POWER CTL,4 SW	1 -
3	3	E-UA-H9544-A-0	H9544-AA	40" END PANEL,GREY FRAME,BROWN I	2 2
4	4	E-UA-H9544-A-0	H9544-AE	SHIELDING INSERT,40" END PANEL	1 1
5	5	E-UA-H9544-B-DBU	H9544-BF	SHIELDED REAR DOOR,40" SINGLE WI	1 1
6	6	E-UA-H9544-B-DBU	H9544-BH	SHIELDED REAR DOOR,40" WIDE BODY	1 1
7	7	D-UA-H9544-D-0	H9544-DC	FRONT COVER,2.5" X 19",COVERS BA	1 1
8	8	E-UA-H9544-E-0	H9544-EL	SHIELDED NARROW FRONT DOOR FOR W	1 1
9	9	E-UA-H9544-H-0	H9544-HD	PULL OUT STABILIZER LEG ASSY,4 L	1 1
10	10	E-UA-H9544-L-0	H9544-LK	SHIELDED WIDE BODY TOP COVER,#68	1 1
11	11	E-AR-H9544-SF-DBU	H9544-SF	SHIELDED VERTICAL BULKHEAD,H9545	1 1
12	12	E-AR-H9544-SL-DBU	H9544-SL	SHIELDING PARTITION KIT FOR WIDE	1 1
13	13	E-UA-H9545-F-0	H9545-FF	40" WIDE BODY CAB FRAME ASSY WIT	1 1
14	14		1221374-03	FILTER,EMI/RFI 120/240 LINE INTE	1 -
15	15		1221374-04	FILTER,EMI/RFI 120/240 LINE INTE	- 1
16	16	C-MD-7413107-0-0	7413107-00	BAR (BA11-FK)	4 4
17	17	D-MD-7428673-0-DBU	7428673-01	SPRING,CABLE	1 1
18	18	D-IA-7428674-0-DBU	7428674-01	BRACKET,CABLE ROUTING	1 1
19	19	D-IA-7428676-0-DBU	7428676-01	BRACKET,CABLE ROUTING	1 1
20	20		1700083-01	PWR CORD,TERM 3-14 SJT 250	- 1
21	21		1700083-02	PWR CORD,TERM 3-14 SJT 125	1 -
22	22		9009988-11	SCREW,SEMS HEX SLOT 6-	6 6
23	23	D-UA-H026-0-0	OH026-00	CABLE RETRACTOR FOR RL01,RL02	2 2
24	24	D-IA-7427464-0-DBU	7427464-01	BRACE,CABLE BUNDLE	3 3
25	25		9008841-01	STANDOFF,MALE/FEMALE HEX 10-32	3 3
26	26		9006565-00	NUT,HEX EXT TOOTH LCKWSHR 10-32	11 11
27	27		9007867-00	MOUNT, PUSH,CABLE TIE	2 2
28	28		9007032-00	TIE,CABLE BUNDL.DIA 0-1-3/4"=101	2 2
29	29		9009718-04	GROMMET,STRIP STYRENE	1 1

REVISION HISTORY			BASIC PART NO: 7020754		DRN: R.STREEPER		DATE: 17-JUN-83		D I G I T A L			
ENG	ECO NUMBER	REV	SECTION A OF A	CHK'D:	D. HEALY	DATE:	04-AUG-83	TITLE PARTS LIST				
	INITIAL	A	SECTION. VARIATION INDEX					WIDE BODY SHIELDED CPU CABINET				
			[A] 01,02	DES.ENG.:	R.LEWIS	DATE:	04-AUG-83	DOCUMENT NUMBER				
			[B]	RESP.ENG.:	R.LEWIS	DATE:	04-AUG-83	SIZE	CODE	NUMBER	REV	
			[C]	MFG.ENG.:	R.SMITH	DATE:	04-AUG-83	K	PL	7020754-0-DBP	A	
			[D]	ASSEMBLY NUMBER:	D-UA-7020754-0-0	TOP DOCUMENT NUMBER:	#B-DD-7020754-0	FILE NAME:			EDIT #	
			[E]					Z6712A.PLS			12	
			[F]									

"THIS DRAWING AND SPECIFICATIONS HEREIN, ARE THE PROPERTY OF DIGITAL EQUIPMENT CORPORATION AND SHALL NOT BE REPRODUCED OR COPIED OR USED IN WHOLE OR IN PART AS THE BASIS FOR THE MANUFACTURE OR SALE OF ITEMS WITHOUT WRITTEN PERMISSION. COPYRIGHT (C) 1983. DIGITAL EQUIPMENT CORPORATION "

AUTOMATED BY PRTLST.4Q(50)

PARTS LIST

SHEET A2 OF A2

LINE ITEM DOCUMENT NUMBER

PART NUMBER

DESCRIPTION

QUANTITY PER VARIATION
01 02

30 NOTE: ITEM 23 ONLY REQUIRED WHEN A RL02 IS INSTALLED IN THE CABINET./A

D	I	G	I	T	A	L	TITLE	SECTION A OF A	SIZE	CODE	DOCUMENT NUMBER	REV
yCHK	HH	+3					WIDE BODY SHIELDED CPU CABINET		K	PL	7020754-0-DBP	A