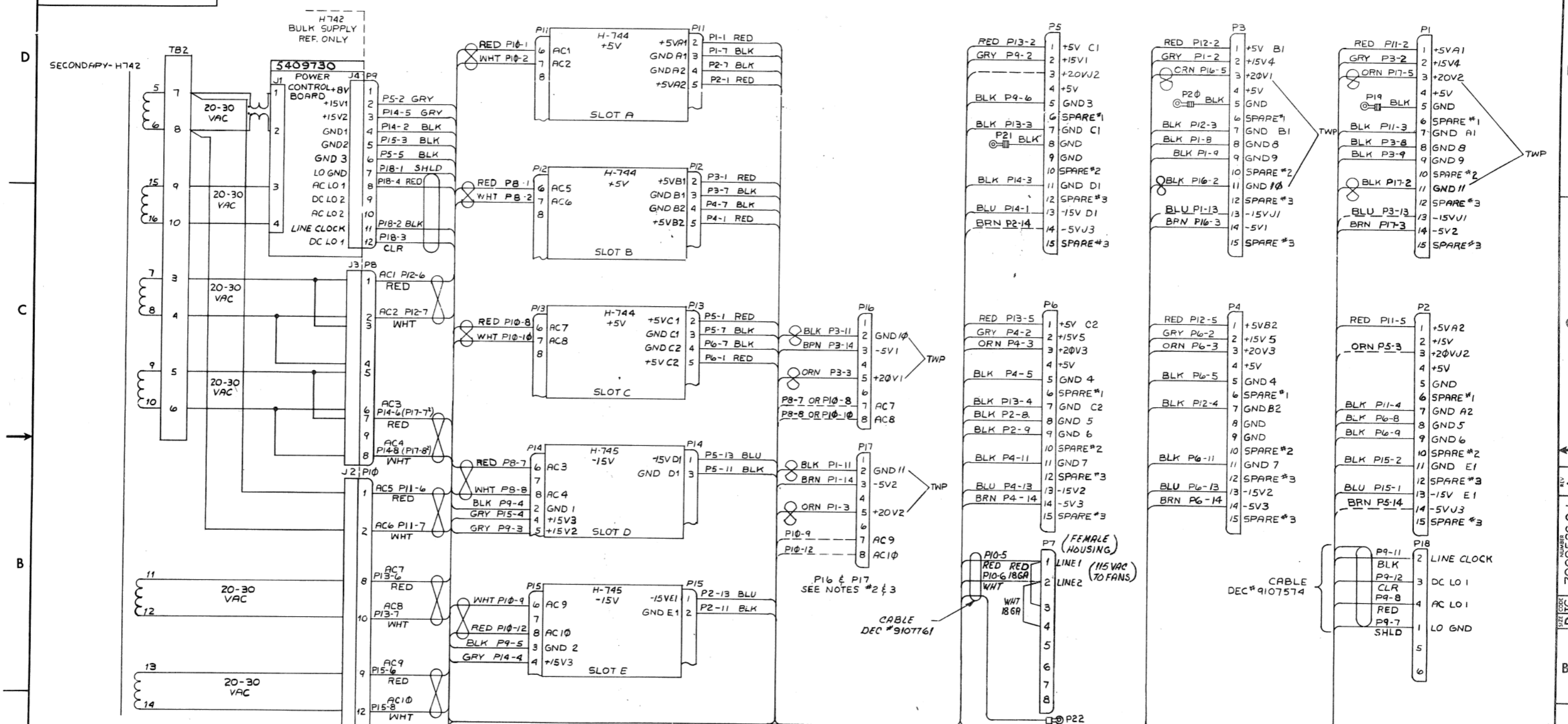


"THIS DRAWING AND SPECIFICATIONS HEREIN ARE THE PROPERTY OF DIGITAL EQUIPMENT CORPORATION AND SHALL NOT BE REPRODUCED OR COPIED OR USED IN WHOLE OR IN PART AS THE BASIS FOR THE MANUFACTURE OR SALE OF ITEMS WITHOUT WRITTEN PERMISSION. COPYRIGHT © 1973, DIGITAL EQUIPMENT CORPORATION"



NOTES:
 1. ALL WIRES ARE 14 AWG UNLESS OTHERWISE SPECIFIED.
 2. IF OPTIONS REQUIRING +20V AND -5V ARE INSTALLED IN BOX REPLACE H745 AND P15 IN SLOT E WITH H754 AND P17, TRANSFER AC WIRES FROM P15 PIN 6 & 8 TO P17 PINS 7 & 8 IF ADDITIONAL +20, -5 IS REQUIRED REPLACE H745 AND P14 IN SLOT D WITH H754 AND P16, TRANSFER AC WIRES AS ABOVE.
 3. WARNING TO PREVENT DAMAGE TO REGULATORS REMOVE OR ADD JUMPERS ACCORDING TO TABLE BELOW:

REGULATORS		JUMPERS			
SLOT	D	SLOT E	-15VJ1	+20VJ2	-5VJ3
H745	H745	OUT	—	—	—
H745	H754	IN	IN	IN	—
H754	H754	—	OUT	OUT	—

REV.	CHANGE NO.	DATE	BY
1	00001	11/21/72	V. BOVEN
2	00002	11/21/72	V. BOVEN

FIRST USED ON OPTION/MODEL	QTY.	DESCRIPTION	PART NO.	ITEM NO.
H960-D/E				
PARTS LIST				
UNLESS OTHERWISE SPECIFIED DIMENSION IN INCHES	DRN R Counter	DATE 7-19-73	digital EQUIPMENT CORPORATION	
TOLERANCES	CHK'D. [Signature]	DATE 8-2-73	MAYNARD, MASSACHUSETTS	
DECIMALS .xxx = .005	ENG. [Signature]	DATE 8/2/73	TITLE 21" BOX POWER HARNESS	
ANGLES ±0° 30'	PRD. ENG. [Signature]	DATE 8/2/73	NUMBER 7009566-0-1	
REMOVE BURRS AND BREAK SHARP CORNERS SURFACE QUALITY ✓	PRD. [Signature]	DATE 9/6/73	REV. A	
MATERIAL	NEXT HIGHER ASSY.		SIZE CODE D I C	
FINISH	SCALE NONE		DIST.	
	SHEET 1 OF 1			

REV. A NUMBER 7009566-0-1

This drawing and specifications, herein, are the property of Digital Equipment Corporation and shall not be reproduced or copied or used in whole or in part as the basis for the manufacture or sale of items without written permission. COPYRIGHT ©1973

DIGITAL EQUIP. CORP.

REV. ∇ NUMBER 7009566-0-2 SIZE CODE K WL 2

REVISIONS	CHANGE NO.	REV.
	7009566-00002	A
CHK	V. BOAEN	
LD	VERELL BOAEN 12-26-73	
	V. BOAEN	
	VERELL BOAEN 12-26-73	

FIRST USED ON OPTION MODEL	QTY.	DESCRIPTION	PART NO.	ITEM NO.
H960-D/E				
PARTS LIST				
DRN	DATE	digital EQUIPMENT CORPORATION MAYNARD, MASSACHUSETTS TITLE WIRE LIST		
CHK'D	DATE			
ENG.	DATE			
PROJ. ENG.	DATE			
PROD.	DATE			
NEXT HIGHER ASSEMBLY				
E-IA-7009566-0-0		SIZE CODE	NUMBER	REV.
SCALE		K WL	7009566-0-2	A
SHEET	OF	DIST.		

RUN NAME	A/P	PIN LOCATION	BAY Q ORDER	DRAM RV RG Y X Z LEVEL	REMARKS	NEW RUN INDICATOR	RUN NUM
-15V D1		P14-1		BLU		X	18
-15V D1		P5-13		56"			18
-15V E1		P15-1		BLU		X	19
-15V E1		P2-13		69"			19
-15VJ1		P1-13		13.5"		X	20
-15VJ1		P3-13		BLU			20
-5V1		P15-3		BRN		X	21
-5V1		P3-14		67"			21
-5V2		P1-14		70.5"		X	22
-5V2		P17-3		BRN			22
-5V3		P4-14		12.25"		X	23
-5V3		P6-14		BRN			23
-5VJ3		P2-14		17"		X	24
-5VJ3		P5-14		BRN			24
AC 01		P12-6		RED	RED-WHT TWP(AC2)	X	25
AC 01		P8-1		10.25"			25
AC 02		P12-7		WHT	WHT-RED TWP(AC1)	X	26
AC 02		P8-2		10.25"			26
AC 03		P14-6		17"	RED	RED-WHT TWP(AC4)	27
AC 03		P8-7		17"		X	27
AC 04		P14-8		17"	WHT	WHT-RED TWP(AC3)	28
AC 04		P8-8		17"		X	28
AC 05		P10-1		10"	RED	RED-WHT TWP(AC6)	29
AC 05		P11-6				X	29
AC 06		P10-2		10"	WHT	WHT-RED TWP(AC5)	30
AC 06		P11-7				X	30
AC 07		P10-8		12.25"	RED	RED-WHT TWP(AC8)	31
AC 07		P13-6				X	31
AC 08		P10-10		WHT	WHT-RED TWP(AC7)	X	32
AC 08		P13-7		12.25"			32
AC 09		P10-9		17.5"	RED	RED-WHT TWP(AC10)	33
AC 09		P15-6				X	33
AC 10		P10-12		17.5"	WHT	WHT-RED TWP(AC9)	34
AC 10		P15-8				X	34
AC LO 1		P18-4		62.5"	RED	CABLE PN 9107574	35
AC LO 1		P9-8				X	35

RUN NAME	A/P	PIN LOCATION	BAY Q ORDER	DRAM RV RG Y X Z LEVEL	REMARKS	NEW RUN INDICATOR	RUN NUM
DC LO 1		P18-3		CLR	CABLE PN 9107574	X	36
DC LO 1		P9-12		62.5"			36
GND		P21		8"	BLK	X	37
GND		P5-8					37
GND 1		P1-5		8"	BLK	X	38
GND 1		P19					38
GND 11		P20		8"	BLK	X	39
GND 11		P3-5					39
GND 01		P14-2		BLK		X	40
GND 01		P9-4		14.5"			40
GND 02		P15-3		17"	BLK	X	41
GND 02		P9-5					41
GND 03		P5-5		52"	BLK	X	42
GND 03		P9-6					42
GND 04		P4-5		13"	BLK	X	43
GND 04		P6-5					43
GND 05		P2-8		18"	BLK	X	44
GND 05		P6-8					44
GND 06		P2-9		18.5"	BLK	X	45
GND 06		P6-9					45
GND 07		P4-11		14"	BLK	X	46
GND 07		P6-11					46
GND 08		P1-8		13"	BLK	X	47
GND 08		P3-8					47
GND 09		P1-9		13.5"	BLK	X	48
GND 09		P3-9					48
GND 10		P16-2		61"	BLK	X	49
GND 10		P3-11			BLK=ORN TWP(+20 V1)		49
GND 11		P1-11		71"	BLK	X	50
GND 11		P17-2			BLK=ORN TWP(+20 V2)		50
GND A1		P1-7		62"	BLK	X	51
GND A1		P11-3					51
GND A2		P11-4		61"	BLK	X	52
GND A2		P2-7					52
GND B1		P12-3		56.5"	BLK	X	53
GND B1		P3-7					53

RUN NAME	A/P	PIN LOCATION	BAY ORDER	Q	DRAM	RV	RG	Y	X	Z	LEVEL	REMARKS	NEW RUN INDICATOR	RUN NUM
GND R2		P12-4												54
GND B2		P4-7									BLK		X	54
GND C1		P13-3												55
GND C1		P5-7									BLK		X	55
GND C2		P13-4												56
GND C2		P6-7									BLK		X	56
GND D1		P14-3												57
GND D1		P5-11									BLK		X	57
GND E1		P15-2												58
GND E1		P2-11									BLK		X	58
LINE 1		P7-1									RED	#18 AVG	X	59
LINE 1		P7-3												59
LINE 2		P7-2												60
LINE 2		P7-4									WHT	#18 AVG	X	60
LINE 1		P10-5												61
LINE 1		P7-1									RED	CABLE PN 9107761	X	61
LINE 2		P10-6												62
LINE 2		P7-2									WHT	CABLE PN 9107761	X	62
LINE CLOCK		P18-2												63
LINE CLOCK		P9-11									BLK	CABLE PN 9107574	X	63
LO GND		P18-1												64
LO GND		P9-7									SHLD	CABLE PN 9107574	X	64
SHIELD		P22									SHLD	CABLE PN 9107761	X	65