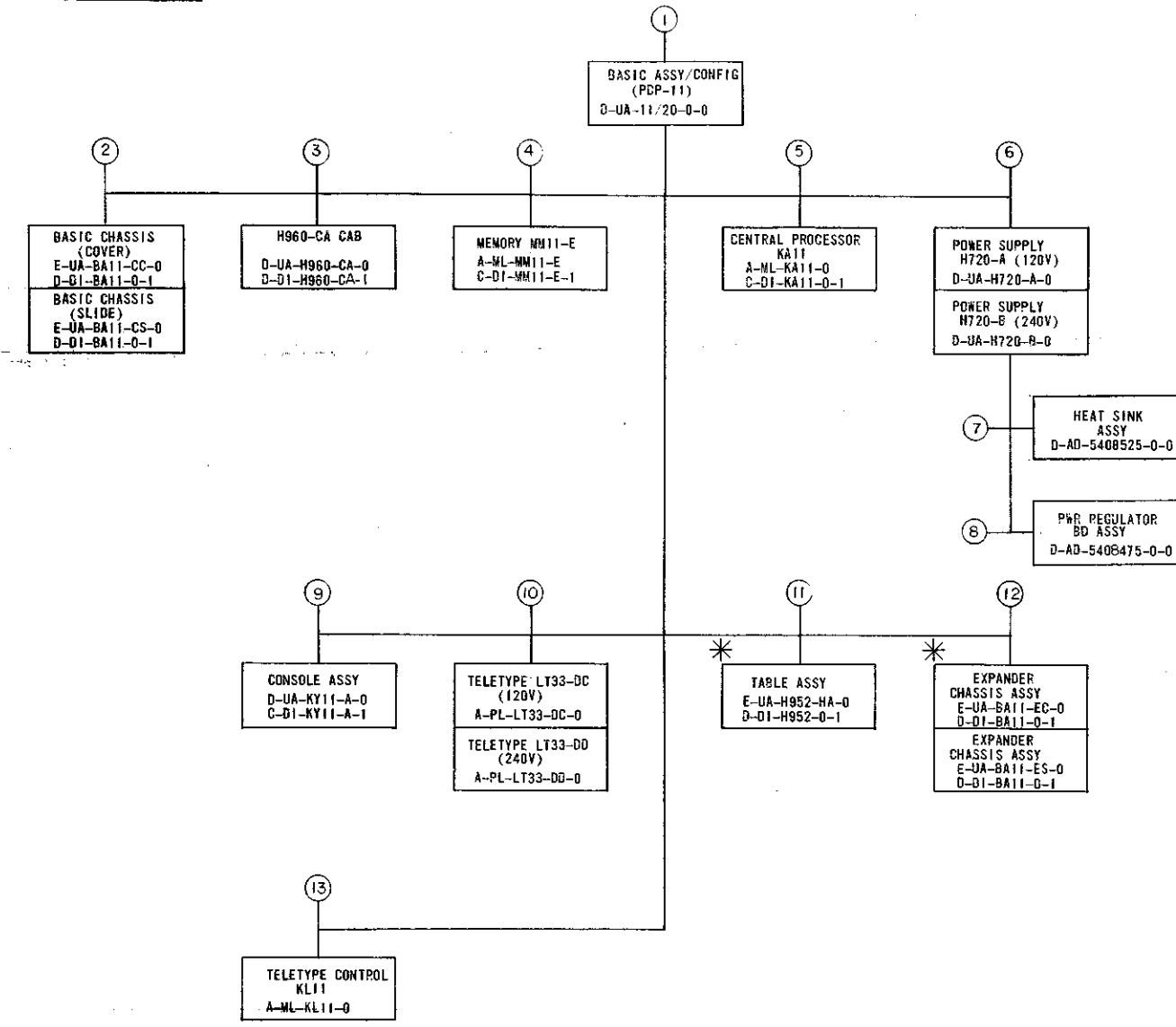


This drawing and specifications, herein, are the property of Digital Equipment Corporation and shall not be reproduced or copied or used in whole or in part as the basis for the manufacture or sale of items without written permission.

D
C
B
A

REVISIONS	CHK	CHANGE NO.	REV.
		11/20-00005	A
		8-26-70	
		LAWRENCE	
		J.W. Lawrence	8-31-70

DEC FORM NO. DRD 106



* (ASTERISK) INDICATES OPTIONS

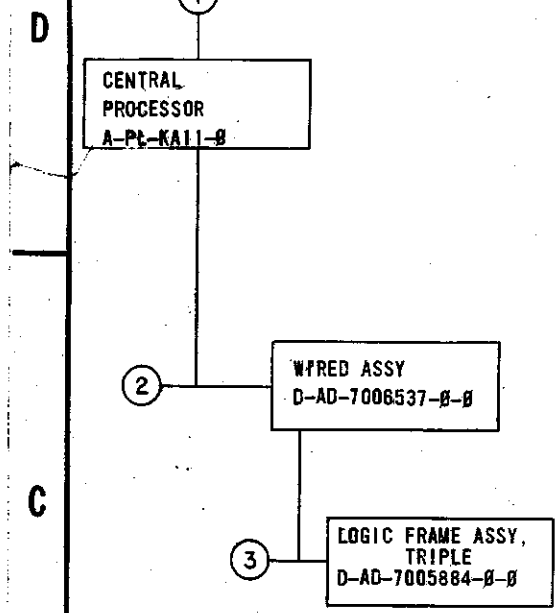
MECHANICAL			DEPT USAGE			ELECTRICAL			DEPT USAGE		
FIND NO.	DESCRIPTION	PART NO.	PROD	CUST	F/C	FIND NO.	DESCRIPTION	PART NO.	PROD	CUST	F/C
1.	BASIC ASSY/CONFIG BASIC ASSY/CONFIG (PL) SHIPPING BRKT BASIC CHASSIS (COVER) BASIC CHASSIS PL BASIC CHASSIS (SLIDES) BASIC CHASSIS PL DRAWING INDEX LIST PDP11 COMPUTER	D-UA-11/20-0-0 C-PL-11/20-0-0 B-1A-7407301-0-0 E-UA-B11-CC-0 A-PL-B11-CC-0 E-UA-B11-CS-0 A-PL-B11-CS-0 D-DI-B11-0-1 A-PI-3700017-0-0				1.	BASIC ASSY/CONFIG	A-ML-11/20-0			
3.	H960-CA CAB H960-CA CAB PL DRAWING INDEX LIST	D-UA-H960-CA-0 A-PL-H960-CA-0 D-DI-H960-CA-1				4.	MEMORY MM11-E	A-ML-MM11-E			
4.	MEMORY MM11-E DRAWING INDEX LIST	A-ML-MM11-E C-DI-MM11-E-1				5.	CENTRAL PROCESSOR K111	A-ML-K111-0			
5.	CENTRAL PROCESSOR K111 DRAWING INDEX LIST	A-ML-K111-0 C-DI-K111-0-1				6.	CIRCUIT SCHEMATIC H720-A	D-CS-H720-0-1			
6.	POWER SUPPLY H720-A POWER SUPPLY H720-A (PL) POWER SUPPLY H720-B POWER SUPPLY H720-B (PL) PWR SUPPLY CHASSIS PWR SUPPLY COVER BRKT SUPPORT CAPACITOR BRKT PWR SUPPLY DECALS PWR SUPPLY DECALS (120V) PWR SUPPLY DECALS (240V)	D-UA-H720-A-0 A-PL-H720-A-0 D-UA-H720-B-0 A-PL-H720-B-0 E-MD-5308519-0-0 C-MD-5308518-0-0 C-MD-5308521-0-0 D-MD-5308520-0-0 B-DC-5308524-0-0 A-DC-5308771-0-0 A-DC-5308772-0-0				8.	CIRCUIT SCHEMATIC PRINTED CIRCUIT	D-CS-5408475-0-1 PC-5008474-0-1			
7.	HEAT SINK ASSY HEAT SINK ASSY (PL) HEAT SINK COIL, TRANSFORMER	D-AD-5408525-0-0 A-PL-5408525-0-0 C-SC-1209685-0-0 C-SC-1609762-0-0				10.	TELETYPE LT33-DC TELETYPE LT33-DD	A-ML-LT33-DC A-ML-LT33-DD			
8.	PWR REGULATOR BD ASSY PWR REGULATOR BD ASSY (PL) HEAT SINK ASSY/DRILLING HOLE LAYOUT PWR REGULATOR ETCH BD	D-AD-5408475-0-0 A-PL-5408475-0-0 B-MD-5308733-0-0 D-AH-5408475-0-5 D-1A-5008474-0-0				11.	TELETYPE CONTROL KL11	A-ML-KL11-0			
9.	CONSOLE ASSY CONSOLE ASSY (PL) DRAWING INDEX LIST	E-UA-KY11-A-0 A-PL-KY11-A-0 C-DI-KY11-A-1									
10.	TELETYPE LT33-DC (PL) TELETYPE LT33-DD (PL)	A-PL-LT33-DC-0 A-PL-LT33-DD-0									
*11.	TABLE ASSY TABLE ASSY (PL) DRAWING INDEX LIST	E-UA-H952-HA-0 A-PL-H952-HA-0 D-DI-H952-0-1									
*12.	EXPANDER CHASSIS ASSY EXPANDER CHASSIS ASSY (PL) EXPANDER CHASSIS ASSY EXPANDER CHASSIS ASSY (PL)	E-UA-B11-EC-0 A-PL-B11-EC-0 E-UA-B11-ES-0 A-PL-B11-ES-0									

REV. A
D DI 11/20-0-1

FIRST USED ON OPTION / MODEL
PDP-11

DO NOT SCALE DRAWING		DATE	DATE	PARTS LIST	
UNLESS OTHERWISE SPECIFIED	CHK'D	11/20/70	11/20/70	digital EQUIPMENT CORPORATION	
DIMENSION IN INCHES	DATE	11/20/70	11/20/70	MAYNARD, MASSACHUSETTS	
TOLERANCES	ANGLES	DATE	DATE	TITLE	
± .0005	± 0°30'	11/20/70	11/20/70	DRAWING INDEX LIST	
FINAL SURFACE QUALITY	REMOVE BURS AND BREAK SHARP CORNERS	DATE	DATE	(PDP-11)	
		11/20/70	11/20/70	SIZE CODE NUMBER REV.	
MATERIAL	NEXT HIGHER ASSY	D-UA-11/20-0-0		D DI 11/20-0-1	
FINISH	SCALE	NONE		SHEET OF 1	
				DIST. G	

This drawing and specifications, herein, are the property of Digital Equipment Corporation and shall not be reproduced or copied or used in whole or in part as the basis for the manufacture or sale of items without written permission.



MECHANICAL				USAGE		ELECTRICAL				USAGE	
FIND NO	DESCRIPTION	PART NO.	PROD	CUST	FC	FIND NO	DESCRIPTION	PART NO.	PROD	CUST	FC
1.	CENTRAL PROCESSOR MODULE UTILIZATION	A-PL-KA11-0-0 A-PL-KA11-0-MU				1.	CENTRAL PROCESSOR TIMING & STATES M728 STATE CNTL M727 PRIORITY M824 REGISTER CNTL M821 REGISTER M225 DATA PATH CNTL M820 DATA PATH 1 M224 DATA PATH 2 M224 BUS INTERFACE & IR M725 IR DECODE M726 CODES DATA M823 FLAG CNTL M822 BUS & CONSOLE CNTL M724 KA11 BUS & POWER CONNECTIONS PWR FAIL & CNTL M825 MODULE UTILIZATION	A-ML-KA11-0 D-CS-M728-0-1 D-CS-M727-0-1 D-CS-M824-0-1 D-CS-M821-0-1 D-BS-KA11-0-REG D-CS-M820-0-1 D-BS-KA11-0-DP1 D-BS-KA11-0-DP2 D-CS-M725-0-1 D-CS-M726-0-1 D-CS-M823-0-1 D-CS-M822-0-1 D-CS-M724-0-1 D-FC-KA11-0-BP D-CS-M825-0-1 D-MU-KA11-0-MU			
2.	WIRED ASSY WIRED ASSY (PL) LOGIC SERIAL #DECAL	D-AD-7006537-0-0 A-PL-7006537-0-0 A-SS-7407846-0-0					BLOCK DIAG. CUT ACROSS 1 BIT INSTRUCTION FLOW DIAGRAM BUS FLOW WAVE FORMS KA11 BLOCK DIAGRAM	D-BD-KA11-0-DBCA D-FD-KA11-0-IFD D-FD-KA11-0-BF D-TD-KA11-0-WF D-BD-KA11-0-BD			
3.	LOGIC FRAME ASSY, TRIPLE LOGIC FRAME ASSY, TRIPLE STRAP, TRIPLE FRAME CONN BLOCK MTG FRAME	D-AD-7005884-0-0 A-PL-7005884-0-0 C-MD-7407513-0-0 D-IA-7407507-0-0				2.	WIRED ASSY WIRE LIST	D-AD-7006537-0-0 K-WL-KA11-0-WL			

REV.	CHG	NO.	DATE	BY
A		0002	5-19-70	O'LOUGHLIN
				5/20/70

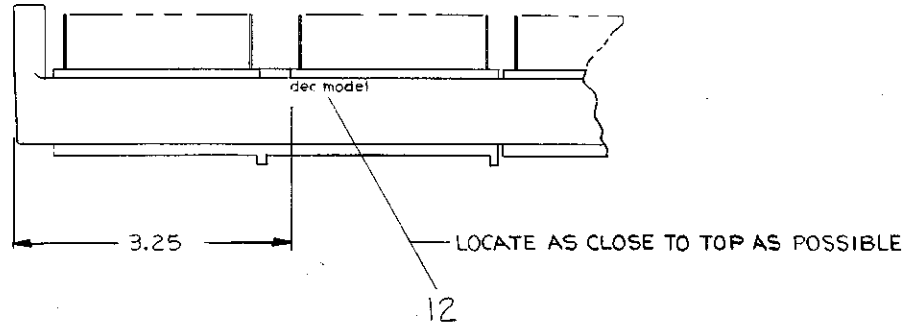
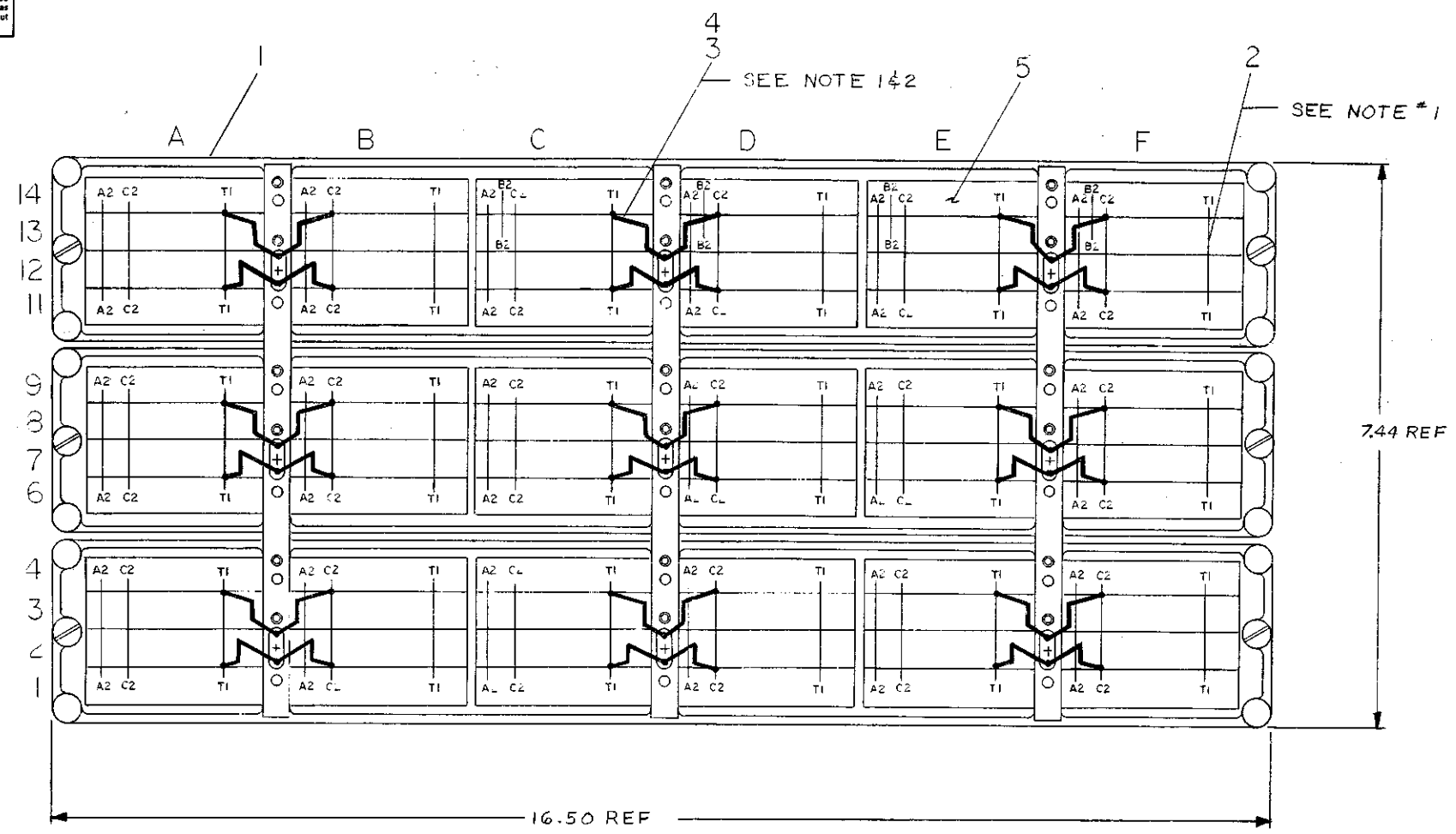
FIRST USED ON OPTION/MODEL PDP-11		QTY.	DESCRIPTION	PART NO.	ITEM NO.
UNLESS OTHERWISE SPECIFIED DIMENSION IN INCHES TOLERANCES DECIMALS ± .005 FRACTIONS ± 1/64 ANGLES ± 0°30'		DRN. F. MARCOTTE	DATE 10-19-69	PARTS LIST	
UNLESS OTHERWISE SPECIFIED FINAL SURFACE QUALITY REMOVE RIBS AND BREAK CHAMF CORNERS		CHK'D O'LOUGHLIN	DATE 3/11/70	digital EQUIPMENT CORPORATION MAYNARD, MASSACHUSETTS	
		ENG. O'LOUGHLIN	DATE 3-19-70	TITLE DRAWING INDEX (KA11)	
		PROD. ENG. O'LOUGHLIN	DATE 3-19-70	REV. A	
		DATE 3/19/70	DATE 3/19/70	SIZE CODE C D I KA11-0-1	
		PART NUMBER ASSY A-ML-KA11-0		NUMBER	
		SHEET 1 OF 1		REV. A	

SIZE CODE C D I KA11-0-1
NUMBER
REV. A

The drawing and specifications herein are the property of Digital Equipment Corporation and shall not be reproduced or copied or used in whole or in part as the basis for the manufacture or sale of items without written permission.

0-0-2999002 AD 7006537-0-0

- NOTES:**
1. CONNECTIONS ON ITEMS 2 & 3 TO BE SOLDERED AND LOCATED AT MINIMUM PRACTICAL HEIGHT ABOVE BLOCKS.
 2. CONNECTOR BLOCKS TO BE GROUNDED TO GROUND LUG AS SHOWN.
 3. ALL VERTICAL HAND WIRING TO RUN OUTSIDE OF CONNECTOR BLOCKS.



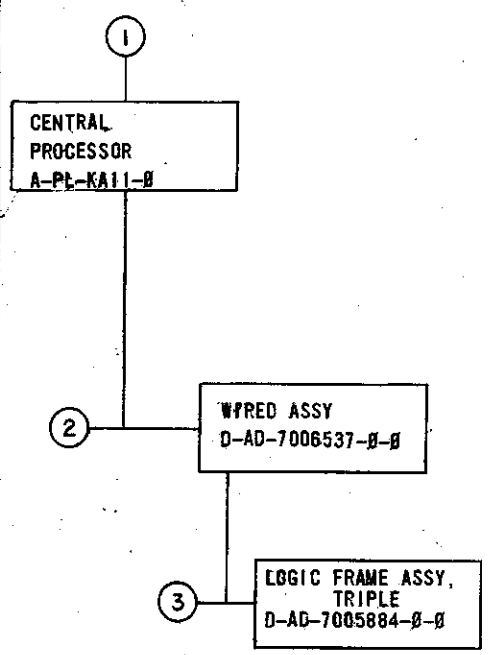
REV	CHG	NO.	DATE
A		0002	5-17-70
KAI1-0002			
O'LOUGHLIN			
FIC 5/26/70			

QTY.	DESCRIPTION	PART NO.	ITEM NO.
PARTS LIST			
FIRST USED ON OPTION/MODEL KAI1		DO NOT SCALE DRAWING UNLESS OTHERWISE SPECIFIED DIMENSION IN INCHES TOLERANCES DECIMALS FRACTIONS ANGLES ±.005 ± 1/64 ± 90° FINAL SURFACE QUALITY REMOVE BURRS AND BREAK SHARP CORNERS MATERIAL FINISH	
DATE 10-3-69 DATE 10/2/69 DATE 3-17-70 DATE 3-17-70 DATE 3/19/70		digital EQUIPMENT CORPORATION MAYNARD, MASSACHUSETTS TITLE WIRED ASSY (KAI1) SIZE CODE NUMBER REV. D AD 7006537-0-0 A	
SCALE 1/1		SHEET 1 OF 2	

REV. A
NUMBER
AD 7006537-0-0
SIZE CODE

This drawing and specifications, herein, are the property of Digital Equipment Corporation and shall not be reproduced or copied or used in whole or in part as the basis for the manufacture or sale of items without written permission.

D
C
B
A



MECHANICAL					USAGE		ELECTRICAL					USAGE	
FIND NO	DESCRIPTION	PART NO.	PROD	CUST	FC	FIND NO	DESCRIPTION	PART NO.	PROD	CUST	FC		
1.	CENTRAL PROCESSOR MODULE UTILIZATION	A-PL-KA11-B-B A-PL-KA11-B-MU				1.	CENTRAL PROCESSOR TIMING & STATES M728 STATE CNTL M727 PRIORITY M824 REGISTER CNTL M821 REGISTER M225 DATA PATH CNTL M828 DATA PATH 1 M224 DATA PATH 2 M224 BUS INTERFACE & IR M725 IR DECODE M726 CODES DATA M823 FLAG CNTL M822 BUS & CONSOLE CNTL M724 KA11 BUS & POWER CONNECTIONS PWR FAIL & CNTL M825 MODULE UTILIZATION	A-ML-KA11-B D-CS-M728-B-1 D-CS-M727-B-1 D-CS-M824-B-1 D-CS-M821-B-1 D-BS-KA11-B-REG D-CS-M828-B-1 D-BS-KA11-B-DP1 D-BS-KA11-B-DP2 D-CS-M725-B-1 D-CS-M726-B-1 D-CS-M823-B-1 D-CS-M822-B-1 D-CS-M724-B-1 D-FC-KA11-B-BP D-CS-M825-B-1 D-WU-KA11-B-WU					
2.	WIRED ASSY WIRED ASSY (PL) LOGIC SERIAL #DECAL	D-AD-7006537-0-0 A-PL-7006537-0-0 A-SS-7407846-0-0					BLOCK DIAG. CUT ACROSS 1 BIT INSTRUCTION FLOW DIAGRAM BUS FLOW WAVE FORMS KA11 BLOCK DIAGRAM	D-BD-KA11-B-DBCA D-FD-KA11-B-IFD D-FD-KA11-B-BF D-TD-KA11-B-WF D-BD-KA11-B-BD					
3.	LOGIC FRAME ASSY, TRIPLE LOGIC FRAME ASSY, TRIPLE STRAP, TRIPLE FRAME CONN BLOCK MTG FRAME	D-AD-7005884-0-0 A-PL-7005884-0-0 C-MD-7407513-0-0 D-IA-7407507-0-0				2.	WIRED ASSY WIRE LIST	D-AD-7006537-0-0 K-WL-KA11-B-WL					

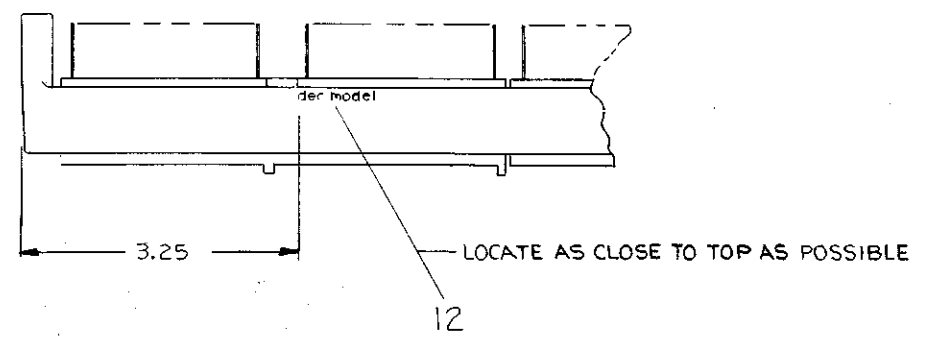
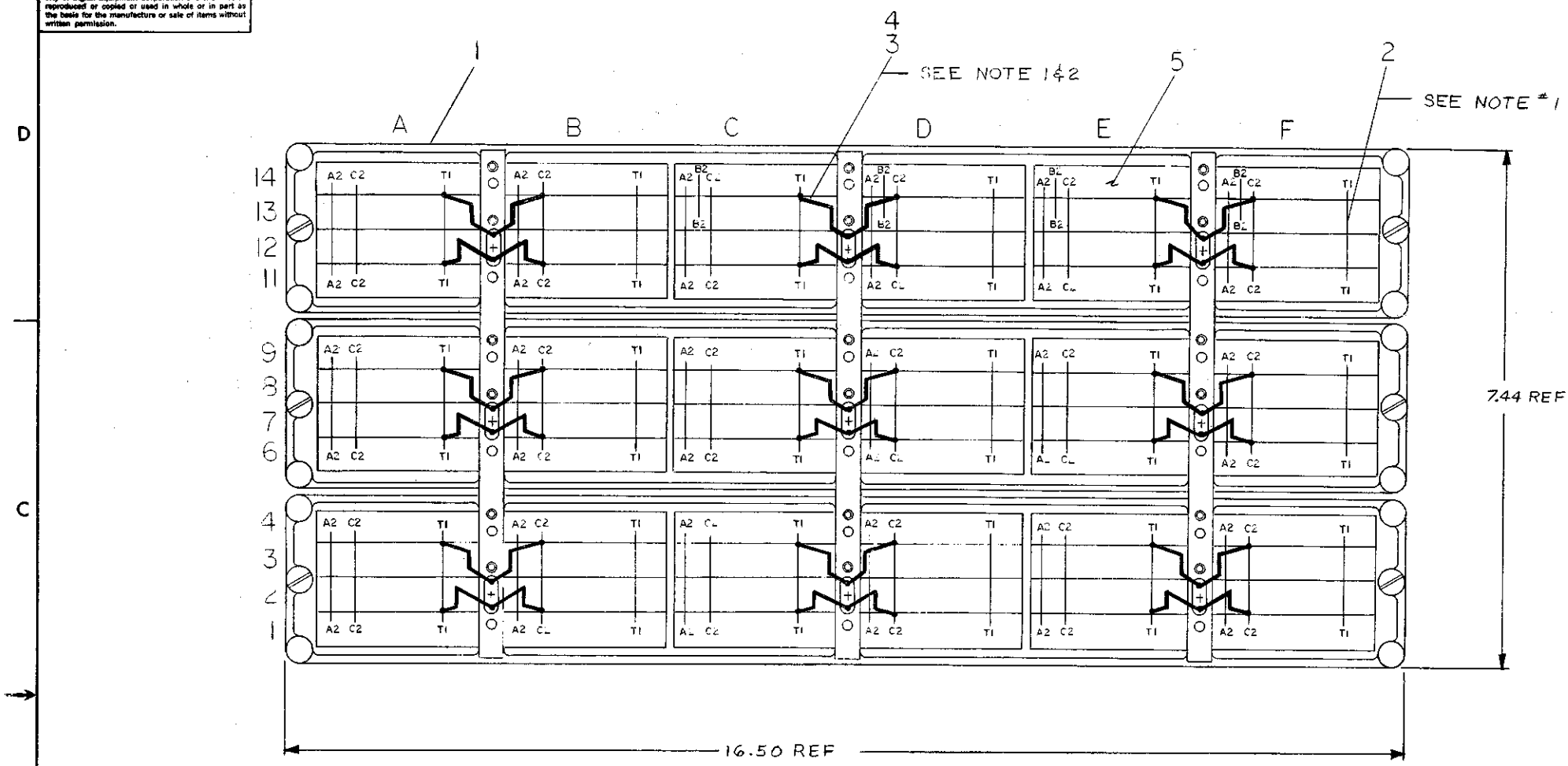
D
C
B
A
NUMBER
CDI KA11-0-1

REV.	CHANGE NO.	DATE	BY	CHK
A	KAI1-00002	5-13-70	O'LOUGHLIN	
		5/20/70		

FIRST USED ON OPTION/MODEL PDP-11	QTY.	DESCRIPTION	PART NO.	ITEM NO.
PARTS LIST				
UNLESS OTHERWISE SPECIFIED DIMENSION IN INCHES TOLERANCES DECIMALS ± .005 FRACTIONS ± 1/64 ANGLES ± 0°30'	DRN. F. MARCOTTE	DATE 10-19-69	digital EQUIPMENT CORPORATION MAYNARD, MASSACHUSETTS	
UNLESS OTHERWISE SPECIFIED FINAL SURFACE QUALITY REMOVE BURRS AND BREAK SHARP CORNERS	CHK'D O'LOUGHLIN	DATE 3/11/70	TITLE DRAWING INDEX (KAI1)	
	ENG. J. O'LOUGHLIN	DATE 3-19-70	REV. A	
	PROJ. ENG. J. O'LOUGHLIN	DATE 3-19-70	SIZE/CODE CDI KA11-0-1	
	DATE 3/19/70		NUMBER A	
	DATE 3/19/70		REV. A	
	DATE 3/19/70		NUMBER A	
	DATE 3/19/70		REV. A	
	DATE 3/19/70		NUMBER A	
	DATE 3/19/70		REV. A	

This drawing and specifications, herein, are the property of Digital Equipment Corporation and shall not be reproduced or copied or used in whole or in part as the basis for the manufacture or sale of items without written permission.

- NOTES:**
1. CONNECTIONS ON ITEMS 2 & 3 TO BE SOLDERED AND LOCATED AT MINIMUM PRACTICAL HEIGHT ABOVE BLOCKS.
 2. CONNECTOR BLOCKS TO BE GROUNDED TO GROUND LUG AS SHOWN.
 3. ALL VERTICAL HAND WIRING TO RUN OUTSIDE OF CONNECTOR BLOCKS.



REV.	CHANGE NO.	REV.
A	K11-0002	A
B	5117	B
C	5117	C
D	5117	D
E	5117	E
F	5117	F

FIRST USED ON OPTION/MODEL K11	DO NOT SCALE DRAWING UNLESS OTHERWISE SPECIFIED DIMENSION IN INCHES TOLERANCES DECIMALS FRACTIONS ANGLES ± .008 ± 1/64 ± 0°30' FINAL SURFACE QUALITY REMOVE BURRS AND BREAK SHARP CORNERS
MATERIAL +-----+	FINISH /-----/

QTY.	DESCRIPTION	PART NO.	ITEM NO.
	PARTS LIST		
	digital EQUIPMENT CORPORATION MAYNARD, MASSACHUSETTS		
	TITLE WIRED ASSY (K11)		
	NEXT HIGHER ASSY A-ML-K11-0		
	SCALE 1/1	SIZE CODE DAD	NUMBER 7006537-0-0
	SHEET 1 OF 2	DIST.	REV. A

REV. A
NUMBER 7006537-0-0

WIRE TABLE

This drawing and specifications, herein, are the property of Digital Equipment Corporation and shall not be reproduced or copied or used in whole or in part as the basis for the manufacture or sale of items without written permission.

ITEM NO.	SIGNAL NAME	FROM PIN	TO PIN	COLOR	REMARKS	ITEM NO.	SIGNAL NAME	FROM PIN	TO PIN	COLOR	REMARKS
6.	GND	A03D2	A13E2	BLACK		11	-15V	C13B2	D13B2	BLUE ↑ BLUE	WIRES MUST RUN PHYSICALLY TO RIGHT OF THE THIRD BLOCKS AND PINS
		A03C2	A03D2					E13B2	F13B2		
		A03E2	A03F2					D13B2	E13B2		
		A03N1	A03P1					C13B2	A13L1		
		A03R1	A03S1								
		A03P1	A03R1								
		A03U1	A03V1								
		A03S1	A03U1								
		A03F2	A03N1								
		A00D2	A00E2								
		A00C2	A00D2								
A00E2	A00F2										
A00N1	A00P1										
A00R1	A00S1										
A00P1	A00R1										
A00U1	A00V1										
A00S1	A00U1										
A00F2	A00N1										
A13D2	A13E2										
A13C2	A13D2										
A13E2	A13F2										
A13N1	A13P1										
A13R1	A13S1										
A13P1	A13R1										
A13U1	A13V1										
A13S1	A13U1										
A13F2	A13N1										
7	+5V	A03A2	B02A2	RED	WIRES MUST RUN PHYSICALLY TO LEFT OF THE FIRST BLOCKS AND PINS	8	+8V	A03T2	A01K2	ORANGE ORANGE ORANGE	
		B01A2	C01A2					A03U2	A03V2		
		A03H2	D01A2								
		A03J2	E01A2								
		A03K2	F01A2								
		B04A2	C04A2								
		A03L2	D04A2								
		A03M2	E04A2								
		E04A2	F04A2								
		A00A2	B07A2								
		B06A2	C06A2								
A00H2	D06A2										
A00J2	E06A2										
E06A2	F06A2										
A00K2	B08A2										
B09A2	C09A2										
A00L2	D09A2										
A00M2	E09A2										
E09A2	F09A2										
A13A2	B12A2										
B11A2	C11A2										
A13H2	D11A2										
A13J2	E11A2										
E11A2	F11A2										
A13K2	B13A2										
B14A2	C14A2										
A13L2	D14A2										
A13M2	E14A2										
E14A2	F14A2										
B03A2	B07A2										
C03A2	C07A2										
D03A2	D07A2										
E03A2	E07A2										
F03A2	F07A2										
B08A2	B11A2										
C08A2	C11A2										
D08A2	D11A2										
E08A2	E11A2										
F08A2	F11A2										

FIRST USED ON OPTION/MODEL
KAI1

DO NOT SCALE DRAWING
UNLESS OTHERWISE SPECIFIED
DIMENSION IN INCHES
TOLERANCES
DECIMALS FRACTIONS ANGLES
± 1/64 ± 0°30'
FACE QUALITY
RIMS AND BREAK SHARP CORNERS

MATERIAL
+ + +

FINISH
+ + +

QTY.	DESCRIPTION	PART NO.	ITEM NO.
PARTS LIST			
digital EQUIPMENT CORPORATION MAYNARD, MASSACHUSETTS			
TITLE WIRED ASSY (KAI1)			
SIZE CODE NUMBER DAD 7006537-0-0			
SCALE NONE			
SHEET 2 OF 2			

REVISIONS
CHANGE NO.
CHK

DET FORM NO
DRD 100

B AD 7006537-0-0

DIGITAL EQUIPMENT CORPORATION
MAYNARD, MASSACHUSETTS
PARTS LIST

QUANTITY / VARIATION

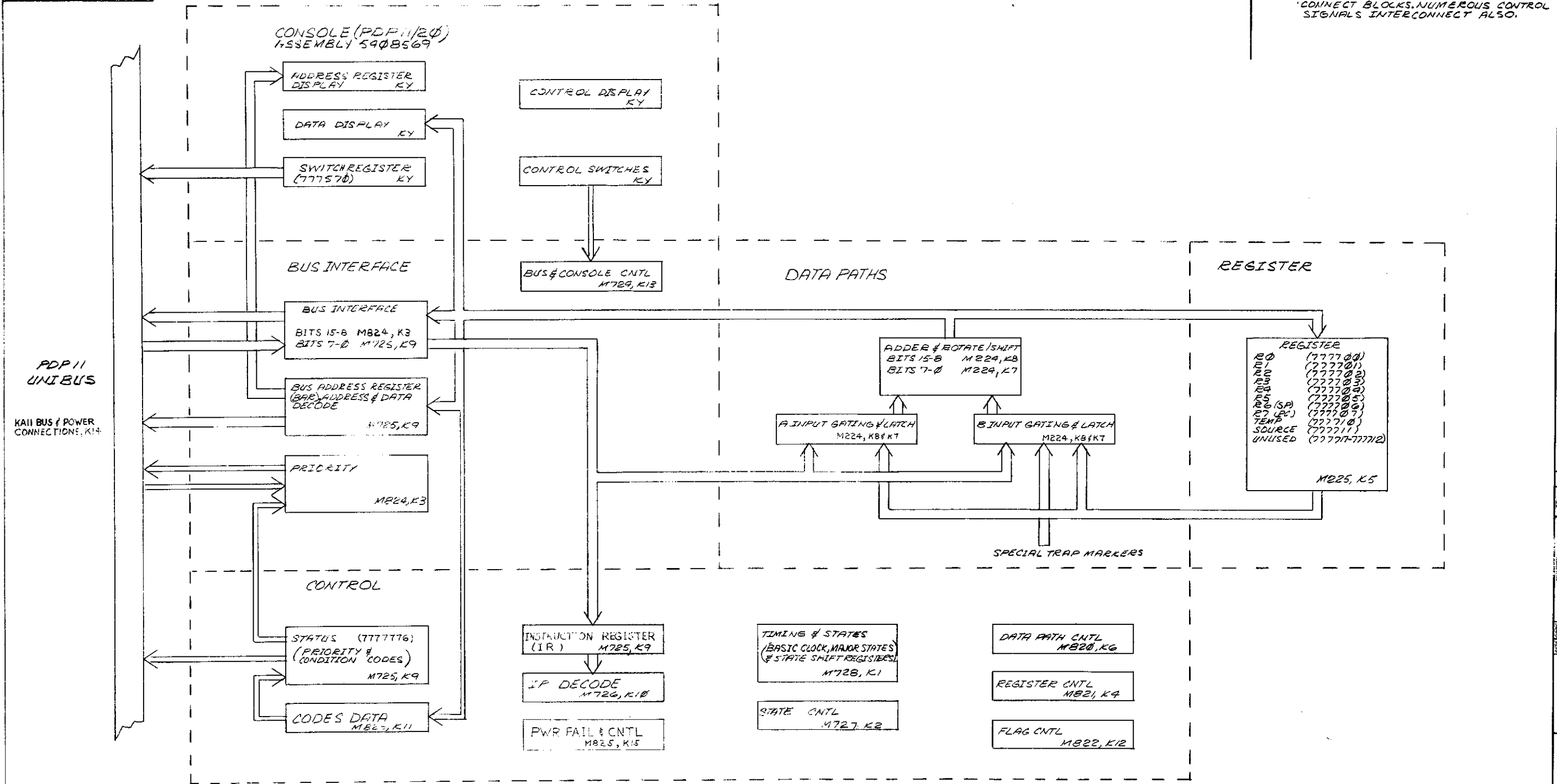
MADE BY P. MARCOTTE	CHECKED K. RUSS	SECTION
DATE 10/6/69	DATE 10/10/69	1
ENG J. J. Loughlin	PROD <i>Thos. Donald</i>	ISSUED SECT.
DATE 3-17-70	DATE 3/19/70	1

ITEM NO.	DWG NO. / PART NO.	DESCRIPTION	QUANTITY	VARIATION
1	D-AD-7005884-0-0	LOGIC FRAME ASSY TRIPLE	1	
2	1205541	BUS STRIP	A/R	
3	9107560-01	#22 AWG BUS WIRE	A/R	
4	9107265-09	#22 TUBING TEFLON, WHITE	A/R	
5	9105740-44	#30 AWG SOLID KYNAR INS WIRE, YEL	A/R	
6	9107470-00	#24 AWG SOLID KYNAR INS WIRE, BLK	A/R	
7	9107470-22	#24 AWG SOLID KYNAR INS WIRE, RED	A/R	
8	9107470-33	#24 AWG SOLID KYNAR INS WIRE, ORN	A/R	
9	9107470-55	#24 AWG SOLID KYNAR INS WIRE, GRN	A/R	
10	9107470-44	#24 AWG SOLID KYNAR INS WIRE, YEL	A/R	
11	9107470-66	#24 AWG SOLID KYNAR INS WIRE, BLUE	A/R	
12	A-SS-7407846-0-0	LOGIC SERIAL # DECAL	1	
REF	K-WL-KA11-β-WL	WIRE LIST	1	

TITLE	ASSY NO.	SIZE CODE	NUMBER	REV.	ECO NO.
WIRED ASSY (KA11)	D-AD-700653700-0	A PL	7006537-0-0	A	KA11-00002
	SHEET 1 OF 1	DIST.			

This drawing and specifications, herein, are the property of Digital Equipment Corporation and shall not be reproduced or copied or used in whole or in part as the basis for the manufacture or sale of items without written permission.

NOTES:
1. ONLY MAJOR DATA FLOWS INTERCONNECT BLOCKS. NUMEROUS CONTROL SIGNALS INTERCONNECT ALSO.



REV.	CHANGE NO.

DEC FORM NO. 300 100

FIRST USED ON OPTION/MODEL PDP 11	QTY.	DESCRIPTION	PART NO.	ITEM NO.
PARTS LIST				
DO NOT SCALE DRAWING	DRN: <i>J. McKinn</i>	DATE: <i>2-22-68</i>	digital EQUIPMENT CORPORATION MAYNARD, MASSACHUSETTS	
UNLESS OTHERWISE SPECIFIED	CHKD: <i>A. S. [unclear]</i>	DATE: <i>3/19/70</i>	TITLE: KAI I BLOCK DIAGRAM	
DIMENSION IN INCHES	ENG: <i>[unclear]</i>	DATE: <i>3-10-70</i>	SIZE CODE: D1BD KAI I-0-BD	
DECIMALS FRACTIONS ANGLES	PROL ENG: <i>[unclear]</i>	DATE: <i>3-10-70</i>	NUMBER: KAI I-0-BD	
± .008 ± 1/64 ± 0°30'	CHKD: <i>[unclear]</i>	DATE: <i>3/15/70</i>	REV.	
FINAL SURFACE QUALITY	MATERIAL	DATE	DIST.	
REMOVE BURRS AND BREAK SHARP CORNERS	NEXT HIGHER ASST			
	A-ML-KAI I-0			
	SCALE NONE			
	SHEET 1 OF 1			

PARTS REFERENCE

ITEM NO.	DRAWING REFERENCE	DESCRIPTION	PART NUMBER	QUANTITY
1	E23	DEC 74H50N	1909060	2
2	E5, E10, E28, E37	DEC 7402N	1909004	5
3	E3	DEC 74H74N	1909667	2
4	E25, E26, E29, E38, E43, E50, E54	DEC 74H40N	1905586	8
5	E7, E11, E19, E20, E31, E49	DEC 7400N	1905575	6
6	E8	DEC 8881	1909705	1
7	E12, E14, E18, E39, E40, E41, E42, E44, E53	DEC 74H00N	1909056	9
8	E13, E15, E24, E34	DEC 74H10N	1909057	4
9	E16	DEC 74H20N	1905635	1
10	E17, E47, E48	DEC 74H30N	1909059	3
11	E21, E51	DEC 7410N	1905576	2
12	E22, E46	DEC 8815A	1909713	2
13	E27, E30, E45	DEC 8271	1909615	3
14	E32, E33, E35, E36	8251B	1909594	4
15	E52	DEC 7420N	1905577	1
16	C1-C10, C13, C15-C27, C29-C55, C59	.01 MFD, 100V, 20% CAP	1001610	52
17	C11, C60	3.30 MMFD, 100V, 5% CAP	1000023	2
18	C12	18 MMFD, 100V, 5% CAP	1002606	1
19	C14	150 MMFD, 100V, 5% CAP	1000019	1
20	C56-C58, C28	6.8 MFD, 35V, 20% CAP	1000067	4
21	R1	300, 1/4W, 5% RES	1301425	1
22	R2, R4, R7, R10	1000, 1/4W, 5% RES	1300365	4
23	R3	47, 1/4W, 5% RES	1300202	1
24	R5	470, 1/4W, 5% RES	1300316	1
25	R6, R9	220, 1/4W, 5% RES	1300271	2
26	R8	5000 OHM POTENTIOMETER	1305451	1
27	D1	DE64 DIODE	1100114	1
28	Q1	DEC 3009B TRANSISTOR	1503100	1

NOTES:

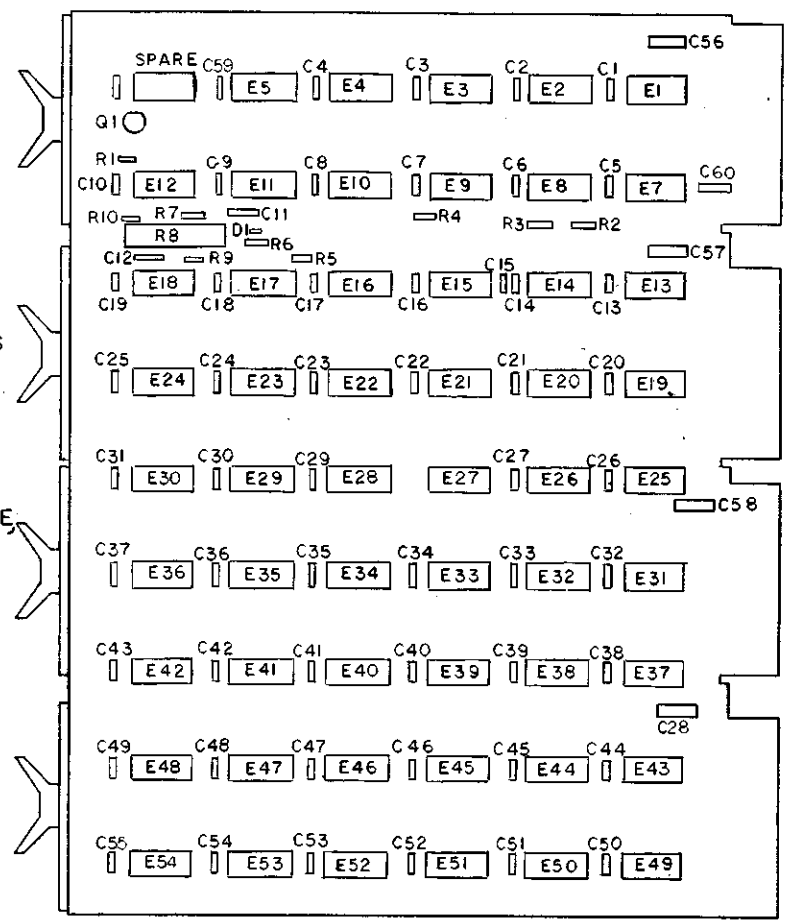
- PIN NOTATION THROUGHOUT IS ORDERED UPON MODULE PLACEMENT IN THE KAI1 PROCESSOR. MODULE REFERENCE ALONE IS OBTAINED BY DELETING THE NUMBER (SLOT LOCATION) AFTER THE FIRST LETTER, AND CONVERTING THE FIRST LETTER ACCORDING TO THE PIN NOMENCLATURE CHART AT RIGHT.
- ALL SIGNALS THAT HAVE MODULE PINS ARE SO NOTED; MULTIPLE NOTATIONS OF THE SAME SIGNALS WITHIN A MODULE HAVE THE PIN NOTED ON EACH. AN INPUT SIGNAL IS NOTED ONLY ONCE PER SHEET UNLESS SEPERATE PINS ARE USED; MULTIPLE INPUTS ARE CONNECTED. MODULE OUTPUT SIGNALS ARE BROUGHT TO THE EXTREME RIGHT OF EACH SHEET.
- PROCESSOR SIGNAL SOURCE NOTATION (K10-2, FOR EXAMPLE) IDENTIFIES THE SIGNAL SOURCE (PRINT AND MODULE). THE FIRST NUMBER AFTER THE K INDICATES THE MODULE PRINT SET, WHILE THE SECOND INDICATES THE SHEET WITHIN THE SET. IF ON A PRINT, THE FIRST NUMBER OF THE K PREFIXES COINCIDE FOR A SIGNAL NAME AND THE PRINT (SEE TITLE BLOCK), THE SIGNAL IS GENERATED ON THE MODULE. A DIFFERENCE IN THE FIRST NUMBER OF THE K PREFIXES INDICATES A SIGNAL GENERATED OFF THE MODULE. SIGNALS WITH A "BUS" PREFIX REPRESENT A "WIRED OR" SITUATION, AND MULTIPLE SOURCES FOR THE SIGNAL CAN EXIST.
- DETAILS ON COMPONENTS ARE NOTED IN THE PARTS REFERENCE. PLACEMENT IS NOTED IN THE COMPONENT PLACEMENT DIAGRAM.
- GND AND +5V ARE USUALLY PIN 7 AND PIN 14, RESPECTIVELY. EXCEPTIONS ARE:

IC TYPE	GND	+5V
DEC 7401	PIN 10	PIN 4
DEC 7402	PIN 11	PIN 4
8251	PIN 8	PIN 16
DEC 8271	PIN 8	PIN 16
DEC 380	PIN 1	PIN 8
DEC 384	PIN 1	PIN 8

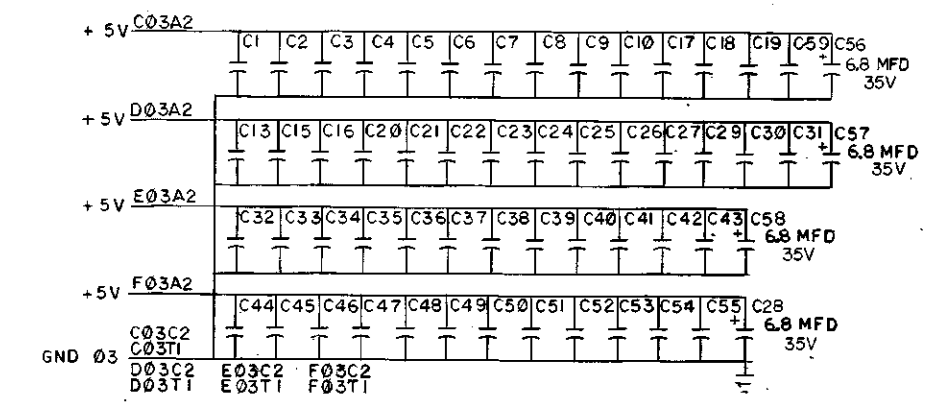
6. UNLESS OTHERWISE NOTED: RESISTANCE IS IN OHMS; CAPACITANCE IS IN PICOFARADS. CAPACITORS WITHOUT ANY NOTED VALUES ARE .01 MFD.

COMPONENT PLACEMENT

PIN NOMENCLATURE



MODULE	PROCESSOR
A	C
B	D
C	E
D	F



REV	CHANGE NO.	DATE	BY	DESCRIPTION
B	1	4-28-70	J.O. LOUGHLIN	REVISED
C	1	4/23/70	J.O. LOUGHLIN	REVISED
D	1	7-25-70	J.O. LOUGHLIN	REVISED
E	1	7-24-70	J.O. LOUGHLIN	REVISED
F	1	8-01-70	J.O. LOUGHLIN	REVISED
G	1	10-8-70	J.O. LOUGHLIN	REVISED

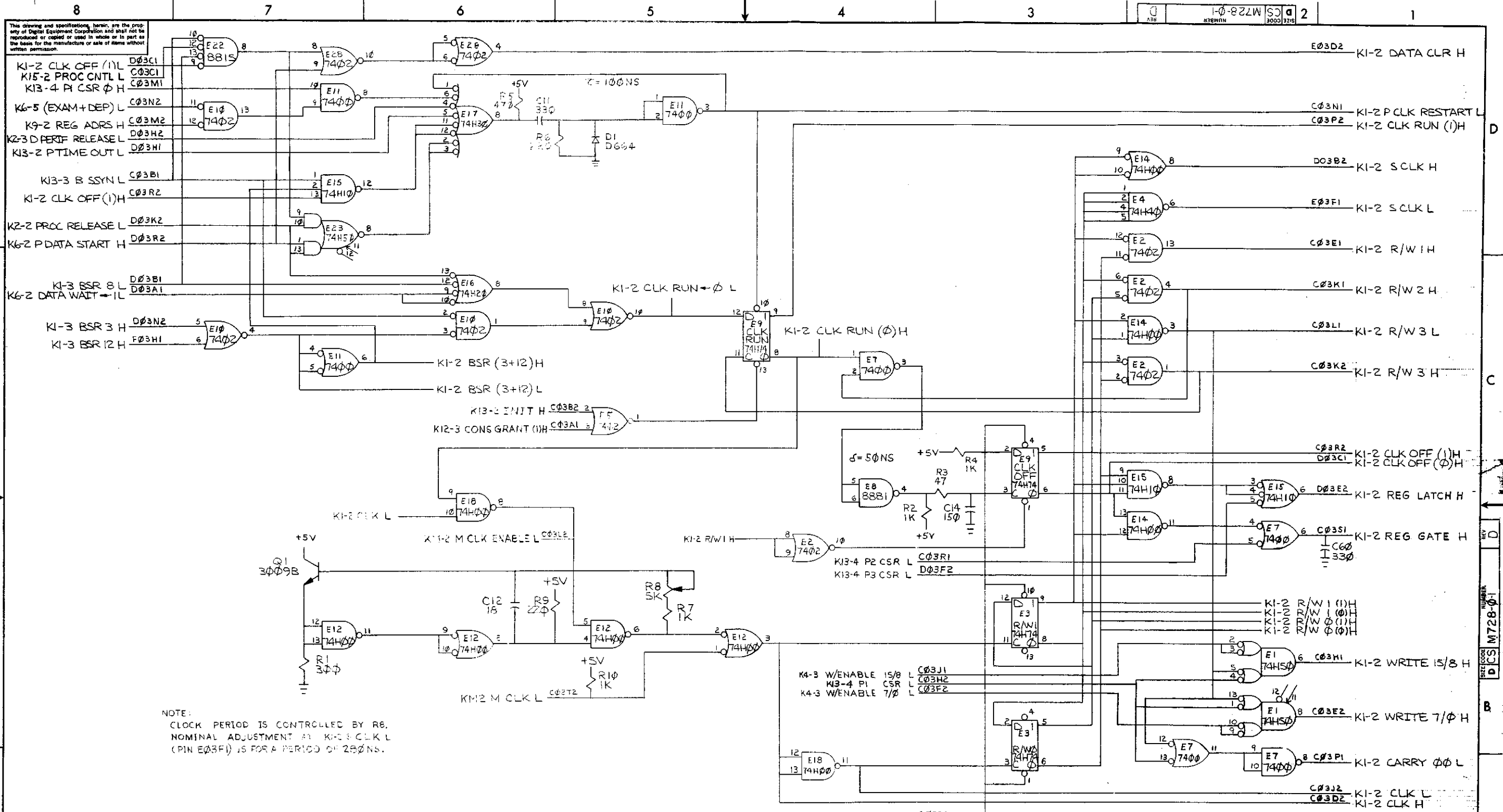
FIRST USED ON OPTION/MODEL PDP 11	QTY.	DESCRIPTION	PART NO.	ITEM NO.
UNLESS OTHERWISE SPECIFIED				
DRN: R. Hillan	DATE: 2/17/70	PARTS LIST		
CHKD: J. Hillan	DATE: 3-2-70	digital EQUIPMENT CORPORATION MAYFIELD, MASSACHUSETTS		
ENG: J. Hillan	DATE: 3-6-70	TITLE: TIMING & STATES		
PROL ENG: J. Hillan	DATE: 3-2-70	M728 KI-1		
PROD. DATE:		MATERIAL: A-ML-KAI-0		
NEXT HIGHER ASSY		FINISH: + + +		
SCALE: 1 OF 4		SIZE CODE: DCS M728-0-1		
SHEET		REV. D		

REV D
NUMBER
DCS M728-0-1

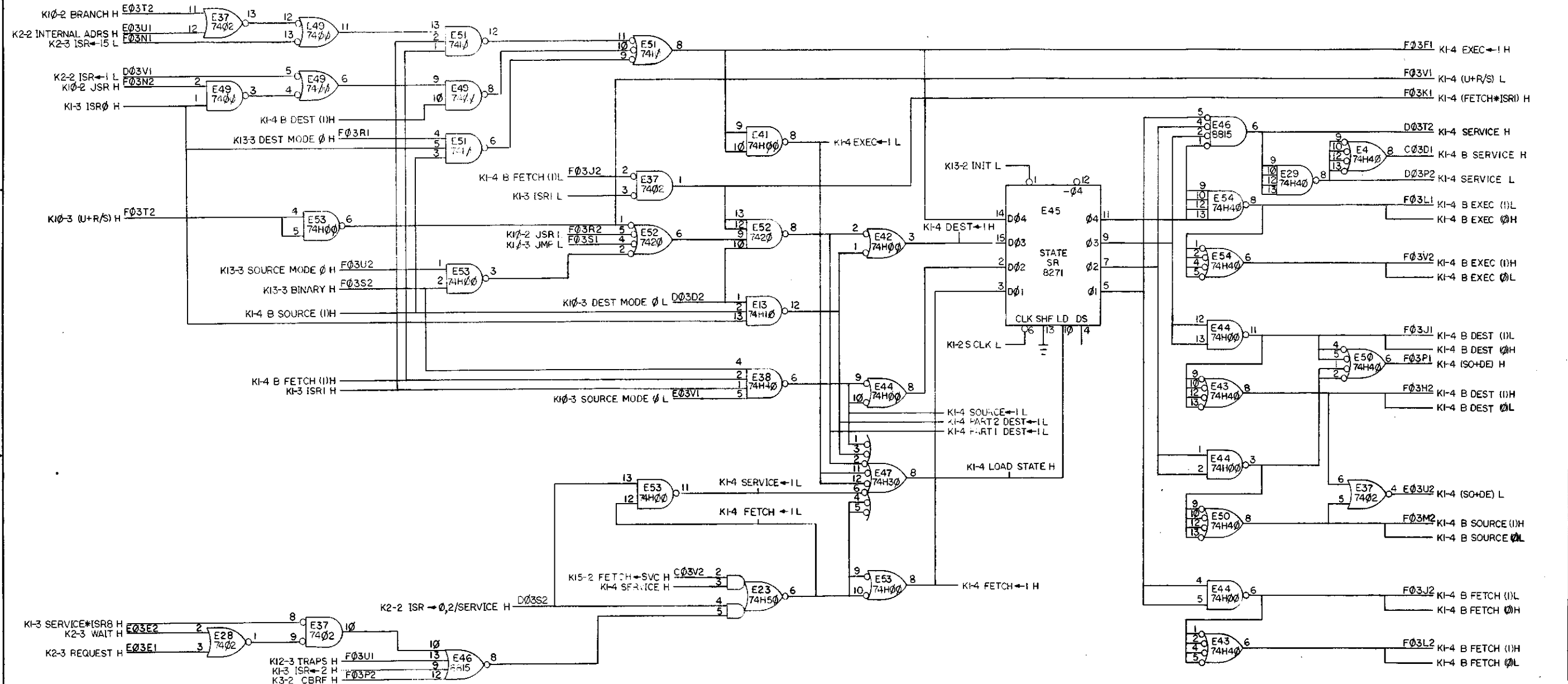
B

A

DIST. 1 Pin R



This drawing and specifications, herein, are the property of Digital Equipment Corporation and shall not be reproduced or copied or used in whole or in part as the basis for the manufacture or sale of items without written permission.



REV.	
CHANGE NO.	
CHK	

FIRST USED ON OPTION/MODEL PDPII	QTY.	DESCRIPTION	PART NO.	ITEM NO.
UNLESS OTHERWISE SPECIFIED DIMENSION IN INCHES TOLERANCES DECIMALS FRACTIONS ANGLES ± .005 ± 1/64 ± 0°30' FINAL SURFACE QUALITY REMOVE BURRS AND BREAK SHARP CORNERS	DRN <i>Andis</i>	DATE 12-11-69	PARTS LIST	
MATERIAL	CHKD <i>W. H. H.</i>	DATE 3/10/70	digital EQUIPMENT CORPORATION WATYARD, MASSACHUSETTS	
FINISH	ENG <i>H. H. H.</i>	DATE 3-5-70	TITLE TIMING & STATES	
	PRD <i>H. H. H.</i>	DATE 3-5-70	M728 KI-4	
	PROD.		NEXT HIGHER ASSEMBLY A-ML-KA11-0	
			SCALE DCS M728-01	REV D
			SHEET 4 OF 4	DIST.

This drawing and specifications, herein, are the property of Digital Equipment Corporation and shall not be reproduced or copied or used in whole or in part as the basis for the manufacture of any of items without written permission.

PARTS REFERENCE

ITEM NO	DRAWING REFERENCE	DESCRIPTION	PART NUMBER	QUANTITY
1	E1, E9, E16	DEC 74H53N	IC 1909062	3
2	E2, E5, E19, E21, E25, E27, E3, E36, E39, E45, E47	DEC 7402N	IC 1909004	11
3	E3, E28, E34, E40, E42	DEC 8815A	IC 1905713	5
4	E4, E10, E11, E16, E22, E24, E26, E37, E44, E49	DEC 7420N	IC 1905575	10
5	E6, E32	DEC 7420N	IC 1905577	2
6	E7, E17	DEC 74HC0N	IC 1905964	2
7	E8, E29	DEC 7450N	IC 1905560	2
8	E12, E13, E14, E30, E35	DEC 7460N	IC 1905581	5
9	E15	DEC 7453N	IC 1905582	1
10	E33, E48	DEC 7410N	IC 1905576	2
11	E31	DEC 7474N	IC 1905547	1
12	E41	DEC 380	IC 1909485	1
13	E43	DEC 380	IC 1909485	1
14	E46	DEC 380	IC 1909485	1
15	C1-C39, C41, C43, C45-C47, C49-C51, C56	.01 MFD, 100V, 20%	CAP 1001610	43
16	C40	1000 MMF, 100V, 5%	CAP 1002344	1
17	C42	68 MMF, 100V, 5%	CAP 1000014	1
18	C44, C48	330 MMF, 100V, 5%	CAP 1000023	2
19	C52-C55	6.8 MFD, 35V, 20%	CAP 1000067	4
20	R1, R6	47, 1/4W, 5%	RES 1300202	2
21	R2	5.6 K, 1/4W, 5%	RES 1301674	1
22	R3, R7	470, 1/4W, 5%	RES 1300316	2
23	R4	220, 1/4W, 5%	RES 1300271	1
24	R5	1000, 1/4W, 5%	RES 1300365	1
25	D1	D664 DIODE	1100114	1

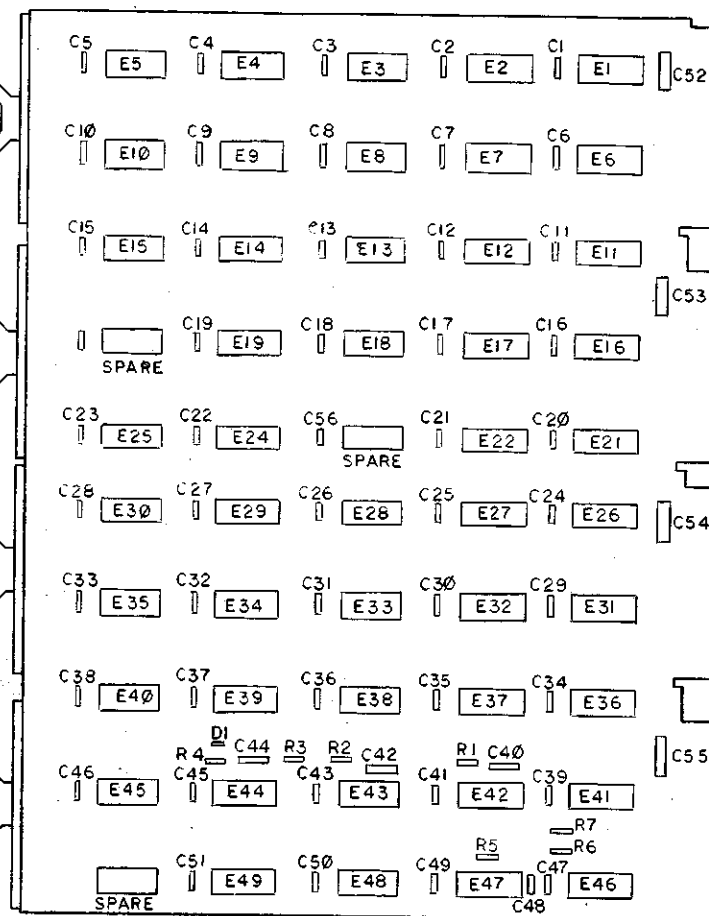
NOTES:

- PIN NOTATION THROUGHOUT IS ORDERED UPON MODULE PLACEMENT IN THE KAI1 PROCESSOR. MODULE REFERENCE ALONE IS OBTAINED BY DELETING THE NUMBER (SLOT LOCATION) AFTER THE FIRST LETTER, AND CONVERTING THE FIRST LETTER ACCORDING TO THE PIN NOMENCLATURE CHART AT RIGHT.
- ALL SIGNALS THAT HAVE MODULE PINS ARE SO NOTED; MULTIPLE NOTATIONS OF THE SAME SIGNALS WITHIN A MODULE HAVE THE PIN NOTED ON EACH. AN INPUT SIGNAL IS NOTED ONLY ONCE PER SHEET UNLESS SEPERATE PINS ARE USED; MULTIPLE INPUTS ARE CONNECTED. MODULE OUTPUT SIGNALS ARE BROUGHT TO THE EXTREME RIGHT OF EACH SHEET.
- PROCESSOR SIGNAL SOURCE NOTATION (K10-2, FOR EXAMPLE) IDENTIFIES THE SIGNAL SOURCE (PRINT AND MODULE). THE FIRST NUMBER AFTER THE K INDICATES THE MODULE PRINT SET, WHILE THE SECOND INDICATES THE SHEET WITHIN THE SET. IF ON A PRINT, THE FIRST NUMBER OF THE K PREFIXES COINCIDE FOR A SIGNAL NAME AND THE PRINT (SEE TITLE BLOCK), THE SIGNAL IS GENERATED ON THE MODULE. A DIFFERENCE IN THE FIRST NUMBER OF THE K PREFIXES INDICATES A SIGNAL GENERATED OFF THE MODULE. SIGNALS WITH A "BUS" PREFIX REPRESENT A "WIRED OR" SITUATION, AND MULTIPLE SOURCES FOR THE SIGNAL CAN EXIST.
- DETAILS ON COMPONENTS ARE NOTED IN THE PARTS REFERENCE. PLACEMENT IS NOTED IN THE COMPONENT PLACEMENT DIAGRAM.
- GND AND +5V ARE USUALLY PIN 7 AND PIN 14, RESPECTIVELY. EXCEPTIONS ARE:

IC TYPE	GND	+5V
DEC 7461	PIN 10	PIN 4
DEC 7482	PIN 11	PIN 4
8251	PIN 8	PIN 16
DEC 8271	PIN 8	PIN 16
DEC 380	PIN 1	PIN 8
DEC 384	PIN 1	PIN 8

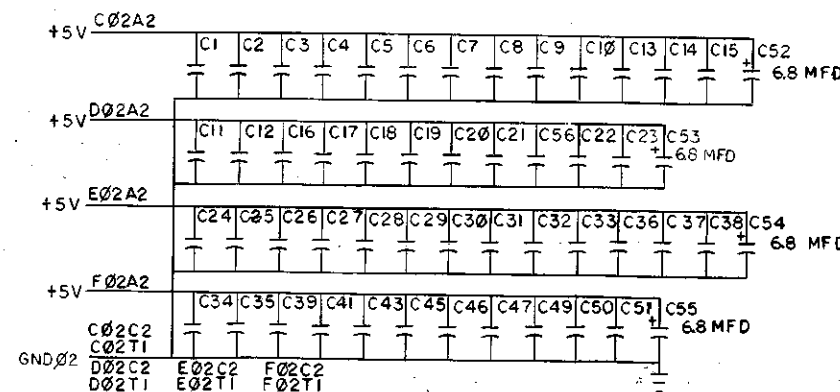
6. UNLESS OTHERWISE NOTED: RESISTANCE IS IN OHMS; CAPACITANCE IS IN PICOFARADS. CAPACITORS WITHOUT ANY NOTED VALUES ARE .01 MFD.

COMPONENT PLACEMENT



PIN NOMENCLATURE

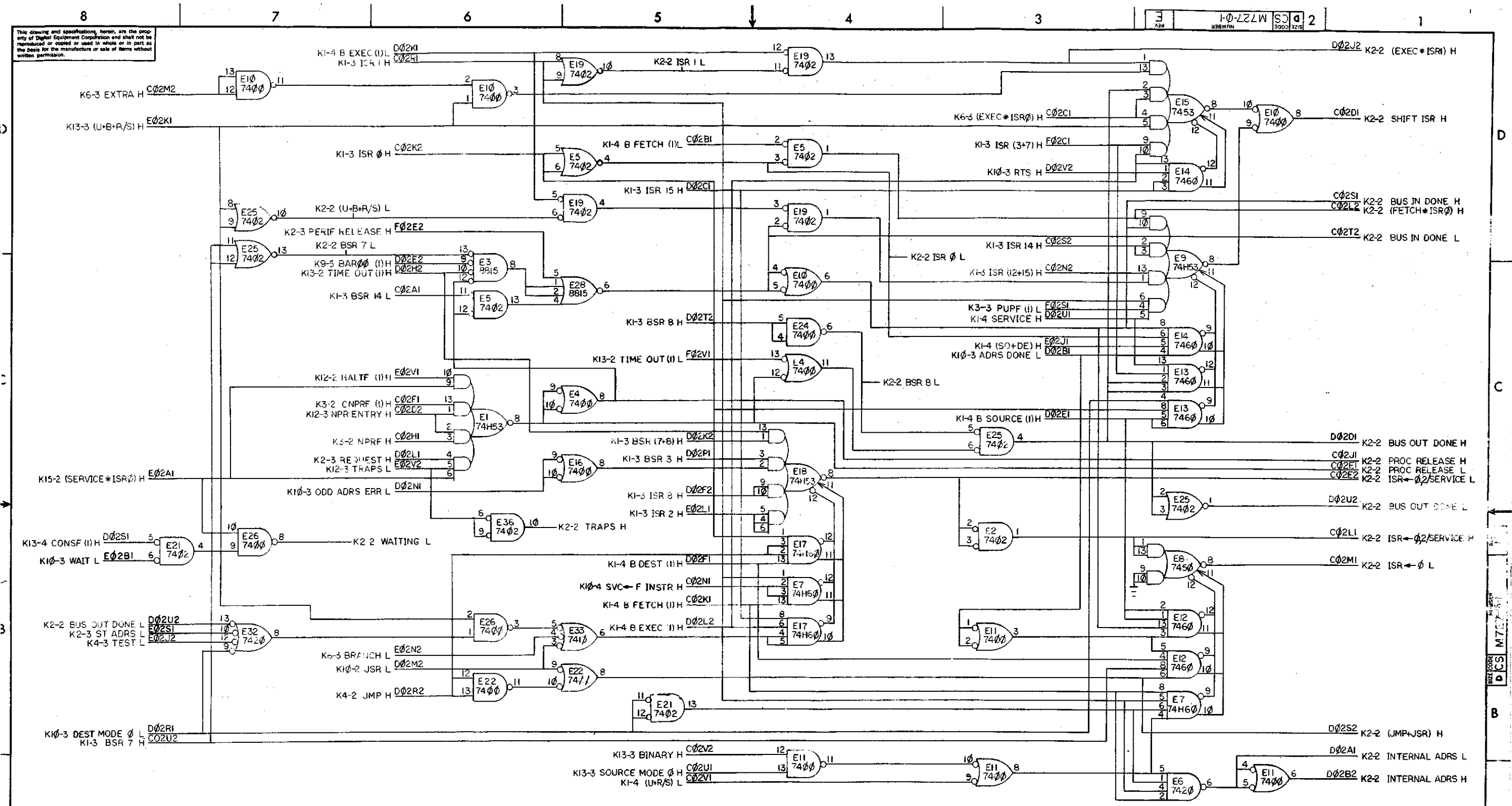
MODULE PROCESSOR



REV	NO	DATE	BY	CHKD
B	1	11-22-70	J. O'LOUGHLIN	J. O'LOUGHLIN
A	1	4/23/70	J. O'LOUGHLIN	J. O'LOUGHLIN
		5/22/70	J. O'LOUGHLIN	J. O'LOUGHLIN
		6/24/70	J. O'LOUGHLIN	J. O'LOUGHLIN
		7-24-70	J. O'LOUGHLIN	J. O'LOUGHLIN

UNLESS OTHERWISE SPECIFIED DIMENSION IN INCHES TOLERANCES DECIMALS FRACTIONS ANGLES = .005 = 1/64 = 0°30' FINAL SURFACE QUALITY REMOVE BURRS AND BREAK SHARP CORNERS	DATE 6/28/70 DATE 3/2/70 DATE 3-6-70 DATE 3-6-70	DESCRIPTION PDP II	PARTS LIST	PART NO.	ITEM NO.
MATERIAL	FINISH	SCALE	SHEET	OF 3	
NEXT HIGHER ASSY A-ML-KAI1-0		TITLE STATE CNTL		REV. E	
SIZE CODE DCS M727-0-1		NUMBER		ETCH REV B C D	
DIST.		1		Pink	

This drawing and specifications herein, are the property of Digital Equipment Corporation and shall not be reproduced or copied or used in whole or in part as the basis for the manufacture or sale of items without written permission.



REV	NO.
CHG	NO.
CHK	NO.

DEC FORM NO. DRD 102A

FIRST USED ON OPTION/MODEL	QTY.	DESCRIPTION	PART NO.	REV. NO.
PDPII				
UNLESS OTHERWISE SPECIFIED				
DRN	DATE	PARTS LIST		
CHKD	DATE	digital EQUIPMENT CORPORATION		
ENR	DATE	MAYNARD, MASSACHUSETTS		
PROJ ENR	DATE	TITLE		
PROJ ENR	DATE	STATE CNTL		
PROJ ENR	DATE	MATERIAL		
		NEXT HIGHER ASSEMBLY		
		A-ML-KAII-0		
		SCALE	SIZE CODE	NUMBER
		NONE	DCS	M727-0-1
		SHEET	2	OF 3
		DIST.		

REV. E3

1 Pink

PARTS REFERENCE

ITEM NO	DRAWING REFERENCE	DESCRIPTION	PART NUMBER	QUANTITY
1	E1, E6, E21	DEC 8881	IC 1909705	3
2	E2, E7	DEC 74H00N	IC 1909056	2
3	E3, E9, E18	DEC 74H02N	IC 1909004	3
4	E4, E8	DEC 74H20N	IC 1905535	2
5	E5	DEC 74H10N	IC 1909057	1
6	E10	DEC 7450N	IC 1905580	1
7	E11, E17, E22, E25	DEC 380	IC 1909485	4
8	E12, E13, E14, E19	DEC 74H74N	IC 1909567	4
9	E15	DEC 74H50N	IC 1909060	1
10	E23	DEC 7410N	IC 1905576	1
11	E24	DEC 7400N	IC 1905575	1
12	C1-C24	.01 MFD, 100V, 20%	CAP 100150	24
13	C25, C26	6.8 MFD, 35V, 20%	CAP 1000067	2
14	E20	DEC 7474N	IC 1905547	1

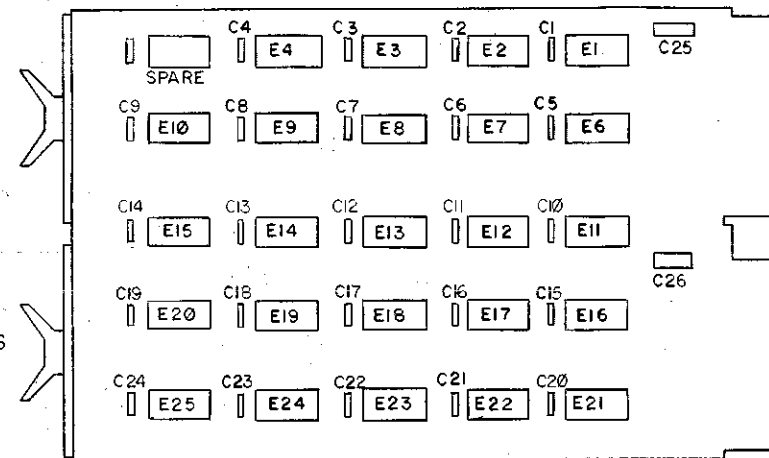
NOTES:

- PIN NOTATION THROUGHOUT IS ORDERED UPON MODULE PLACEMENT IN THE K111 PROCESSOR. MODULE REFERENCE ALONE IS OBTAINED BY DELETING THE NUMBER (SLOT LOCATION) AFTER THE FIRST LETTER, AND CONVERTING THE FIRST LETTER ACCORDING TO THE PIN NOMENCLATURE CHART AT RIGHT.
- ALL SIGNALS THAT HAVE MODULE PINS ARE SO NOTED; MULTIPLE NOTATIONS OF THE SAME SIGNALS WITHIN A MODULE HAVE THE PIN NOTED ON EACH. AN INPUT SIGNAL IS NOTED ONLY ONCE PER SHEET UNLESS SEPERATE PINS ARE USED; MULTIPLE INPUTS ARE CONNECTED. MODULE OUTPUT SIGNALS ARE BROUGHT TO THE EXTREME RIGHT OF EACH SHEET.
- PROCESSOR SIGNAL SOURCE NOTATION (K10-2, FOR EXAMPLE) IDENTIFIES THE SIGNAL SOURCE (PRINT AND MODULE). THE FIRST NUMBER AFTER THE K INDICATES THE MODULE PRINT SET, WHILE THE SECOND INDICATES THE SHEET WITHIN THE SET. IF ON A PRINT, THE FIRST NUMBER OF THE K PREFIXES COINCIDE FOR A SIGNAL NAME AND THE PRINT (SEE TITLE BLOCK), THE SIGNAL IS GENERATED ON THE MODULE. A DIFFERENCE IN THE FIRST NUMBER OF THE K PREFIXES INDICATES A SIGNAL GENERATED OFF THE MODULE. SIGNALS WITH A "BUS" PREFIX REPRESENT A "WIRED OR" SITUATION, AND MULTIPLE SOURCES FOR THE SIGNAL CAN EXIST.
- DETAILS ON COMPONENTS ARE NOTED IN THE PARTS REFERENCE. PLACEMENT IS NOTED IN THE COMPONENT PLACEMENT DIAGRAM.
- GND AND +5V ARE USUALLY PIN 7 AND PIN 14, RESPECTIVELY. EXCEPTIONS ARE:

IC TYPE	GND	+5V
DEC 7481	PIN 10	PIN 4
DEC 7482	PIN 11	PIN 4
8251	PIN 8	PIN 16
DEC 8271	PIN 8	PIN 16
DEC 380	PIN 1	PIN 8
DEC 384	PIN 1	PIN 8

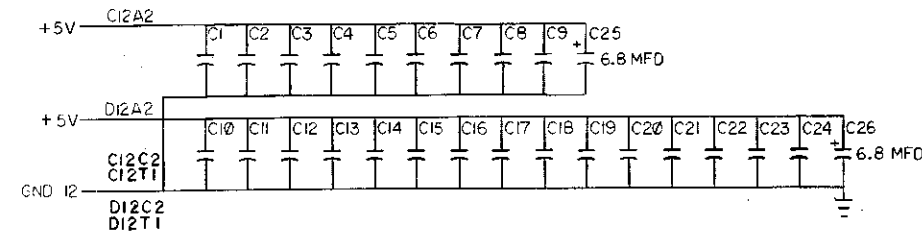
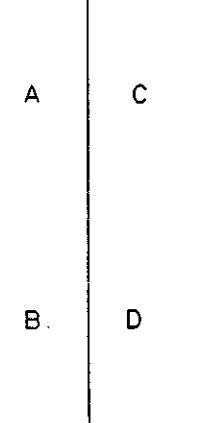
6 UNLESS OTHERWISE NOTED: RESISTANCE IS IN OHMS; CAPACITANCE IS IN PICO FARADS. CAPACITORS WITHOUT ANY NOTED VALUES ARE .01 MFD.

COMPONENT PLACEMENT



PIN NOMENCLATURE

MODULE PROCESSOR



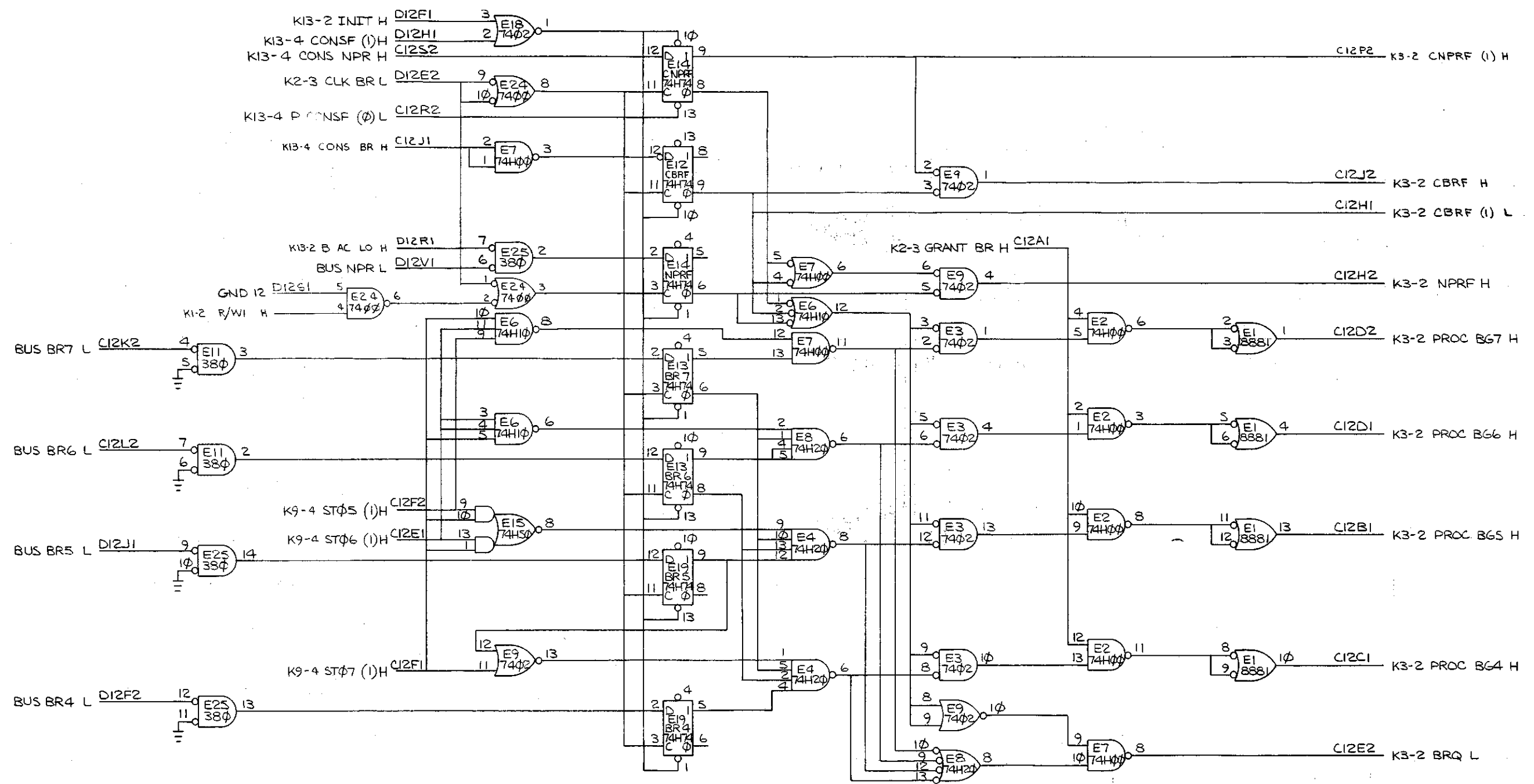
FIRST USED ON OPTION/MODEL PDP 11	QTY.	DESCRIPTION	PART NO.	ITEM NO.
PARTS LIST				
UNLESS OTHERWISE SPECIFIED DIMENSION IN INCHES TOLERANCES DECIMALS FRACTIONS ANG. LS = .005 = 1/64 = .1/30 FINAL SURFACE QUALITY REMOVE BURRS AND BREAK SHARP CORNERS	DRN DATE 3/2/70	DATE 3/2/70	DIGITAL EQUIPMENT CORPORATION MAYNARD, MASSACHUSETTS	
MATERIAL //	ENG. DATE 3-4-70	DATE 3-4-70	TITLE PRIORITY	
FINISH //	PROD. DATE	DATE	M824 K3-1	
	NEXT HIGHER ASSY A-ML-K11-0		SIZE/CODE DCS	NUMBER M824-0-1
	SCALE SHEET 1 OF 3		ETCH REV. B C	REV. C

REV	CHANGE NO.	REV
B	00001	B
C	00002	C

REV C
REV B
REV A

1 Pink Blue

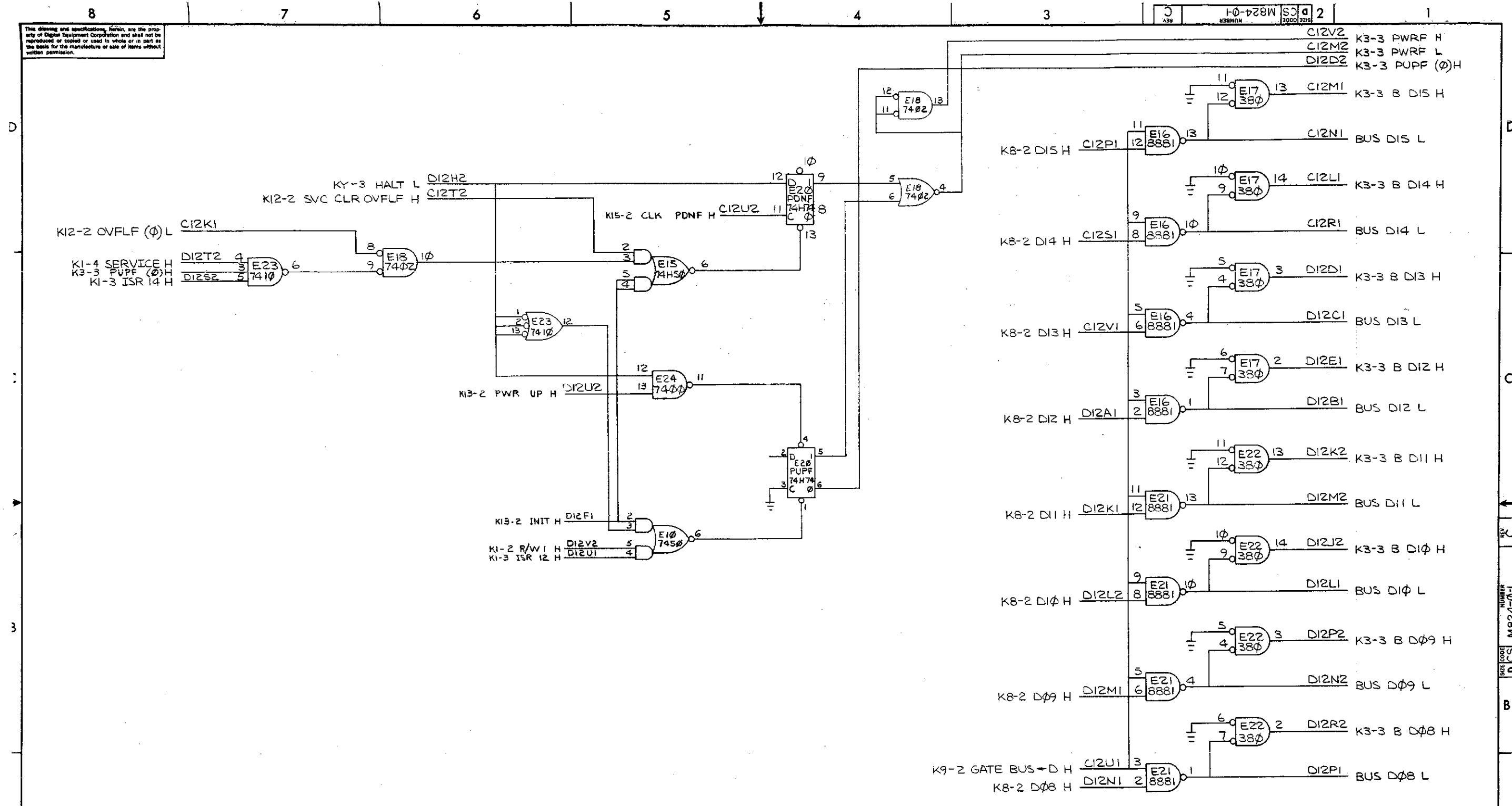
This drawing and specifications herein, are the property of Digital Equipment Corporation and shall not be reproduced or copied or used in whole or in part as the basis for the manufacture or sale of items without written permission.



REV.	
CHG.	
CHK.	

FIRST USED ON OPTION MODEL	QTY.	DESCRIPTION	PART NO.	ITEM NO.
PDP11				
PARTS LIST				
UNLESS OTHERWISE SPECIFIED	DRN	DATE	DIGITAL EQUIPMENT CORPORATION MAYNARD, MASSACHUSETTS	
UNLESS OTHERWISE SPECIFIED	CHKD	DATE	TITLE	
TOLERANCES	ENG	DATE	PRIORITY	
DECIMALS FRACTIONS ANGLES	PROJ ENGR	DATE	M824 K3-2	
± .005 ± 1/64 ± 0°30'	PROD.	DATE	SIZE CODE NUMBER REV.	
FINAL SURFACE QUALITY			DCS M824-01 C	
REMOVE BURRS AND BREAK SHARP CORNERS			SCALE NONE	
MATERIAL			SHEET 2 OF 3	
FINISH			DST.	

This drawing and specifications remain the property of Digital Equipment Corporation and shall not be reproduced or used in whole or in part as the basis for the manufacture or sale of items without written permission.



FIRST USED ON OPTION/MODEL	QTY.	DESCRIPTION	PART NO.	ITEM NO.
PDP11				
PARTS LIST				
UNLESS OTHERWISE SPECIFIED				
DRN: A. Ramo DATE: 12-9-69				
UNLESS OTHERWISE SPECIFIED				
CHK'D: DATE: 3/18/70				
DIMENSION IN INCHES				
TOLERANCES				
DECIMALS FRACTIONS ANGLES				
= .005 = 1/64 = 0°30'				
ENGR: DATE: 3-5-70				
PROL ENG: DATE: 3-5-70				
REMOVE BURRS AND BREAK SHARP CORNERS				
MATERIAL				
NEXT HIGHER ASSY				
A-ML-K11-0				
FINISH				
SCALE NONE				
SHEET 3 OF 3				
digital EQUIPMENT CORPORATION MAYNARD, MASSACHUSETTS		TITLE PRIORITY		
M824		K3-3		
SIZE CODE D CS		NUMBER M824-0-1		REV C

REV	
CHANGE NO.	
CHK	

REV C
NUMBER M824-0-1
SIZE CODE D CS

1 Peril Blue

This drawing and specifications, herein, are the property of Digital Equipment Corporation and shall not be reproduced or copied or used in whole or in part as the basis for the manufacture or sale of items without written permission.

PARTS REFERENCE

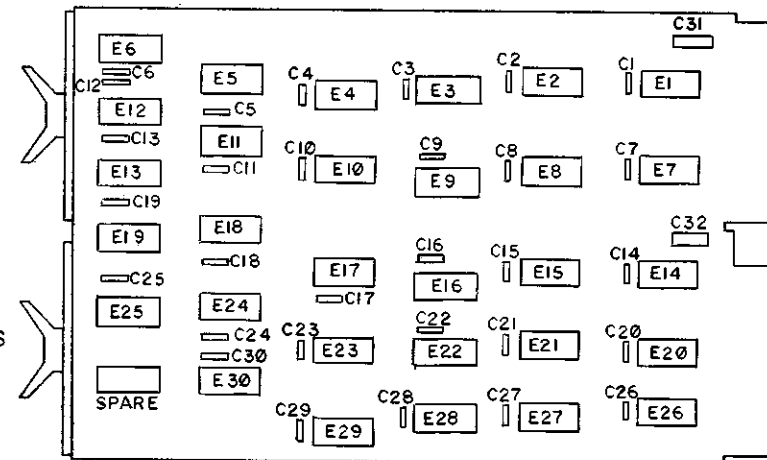
ITEM NO	DRAWING REFERENCE	DESCRIPTION	PART NUMBER	QUANTITY
1	E1, E2, E7, E21, E25	DEC 7400N	IC 1905575	5
2	E2, E14, E22	DEC 8815A	IC 1909713	3
3	E3, E4	DEC 7402N	IC 1909004	2
4	E5, E10, E30	DEC 7450N	IC 1905580	5
5	E8, E13, E16, E19, E27	DEC 7453N	IC 1905582	5
6	E9, E28	DEC 7410N	IC 1905576	2
7	E11, E12, E18, E23, E24, E26	DEC 7460N	IC 1905581	6
8	E15	DEC 7420N	IC 1905577	1
9	C1-C30	.01MFD 100V 20%	CAP 1001610	30
10	C31, C32	6.8MFD 35V 20%	CAP 1000057	2
11	F17	DEC 74H60N	IC 1909064	1
12	E20	DEC 74H00N	IC 1909056	1
13	E29	DEC 74H50N	IC 1909060	1

NOTES:

- PIN NOTATION THROUGHOUT IS ORDERED UPON MODULE PLACEMENT IN THE K411 PROCESSOR. MODULE REFERENCE ALONE IS OBTAINED BY DELETING THE NUMBER (SLOT LOCATION) AFTER THE FIRST LETTER, AND CONVERTING THE FIRST LETTER ACCORDING TO THE PIN NOMENCLATURE CHART AT RIGHT.
- ALL SIGNALS THAT HAVE MODULE PINS ARE SO NOTED; MULTIPLE NOTATIONS OF THE SAME SIGNALS WITHIN A MODULE HAVE THE PIN NOTED ON EACH. AN INPUT SIGNAL IS NOTED ONLY ONCE PER SHEET UNLESS SEPERATE PINS ARE USED; MULTIPLE INPUTS ARE CONNECTED. MODULE OUTPUT SIGNALS ARE BROUGHT TO THE EXTREME RIGHT OF EACH SHEET.
- PROCESSOR SIGNAL SOURCE NOTATION (K10-2, FOR EXAMPLE) IDENTIFIES THE SIGNAL SOURCE (PRINT AND MODULE). THE FIRST NUMBER AFTER THE K INDICATES THE MODULE PRINT SET, WHILE THE SECOND INDICATES THE SHEET WITHIN THE SET. IF ON A PRINT, THE FIRST NUMBER OF THE K PREFIXES COINCIDE FOR A SIGNAL NAME AND THE PRINT (SEE TITLE BLOCK), THE SIGNAL IS GENERATED ON THE MODULE. A DIFFERENCE IN THE FIRST NUMBER OF THE K PREFIXES INDICATES A SIGNAL GENERATED OFF THE MODULE. SIGNALS WITH A "BUS" PREFIX REPRESENT A "WIRED OR" SITUATION, AND MULTIPLE SOURCES FOR THE SIGNAL CAN EXIST.
- DETAILS ON COMPONENTS ARE NOTED IN THE PARTS REFERENCE. PLACEMENT IS NOTED IN THE COMPONENT PLACEMENT DIAGRAM.
- GND AND +5V ARE USUALLY PIN 7 AND PIN 14, RESPECTIVELY. EXCEPTIONS ARE:

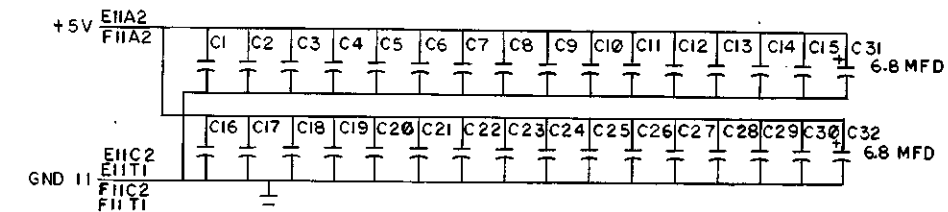
IC TYPE	GND	+5V
DEC 7481	PIN 10	PIN 4
DEC 7482	PIN 11	PIN 4
8251	PIN 8	PIN 16
DEC 8271	PIN 8	PIN 16
DEC 380	PIN 1	PIN 8
DEC 384	PIN 1	PIN 8
- UNLESS OTHERWISE NOTED: RESISTANCE IS IN OHMS; CAPACITANCE IS IN PICOFARADS. CAPACITORS WITHOUT ANY NOTED VALUES ARE .01 MFD.

COMPONENT PLACEMENT



PIN NOMENCLATURE

MODULE	PROCESSOR
A	E
B	F

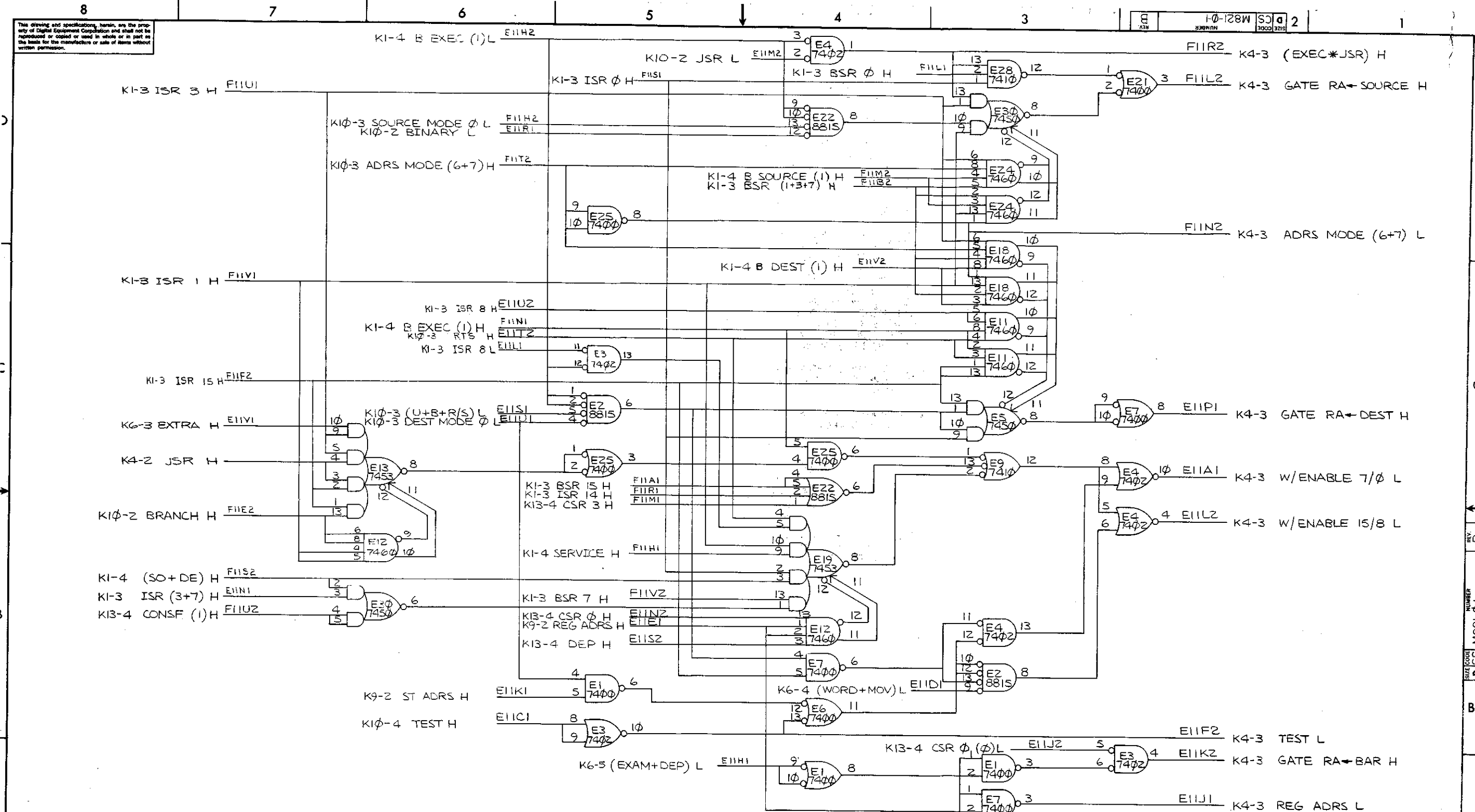


REV	CHANGE NO	REV
B	0001	

J. O'LOUGHLIN
4/28/70

FIRST USED ON OPTION/MODEL PDP 11	QTY.	DESCRIPTION	PART NO.	ITEM NO.
PARTS LIST				
UNLESS OTHERWISE SPECIFIED DIMENSION IN INCHES TOLERANCES DECIMALS FRACTIONS ANGLES = .005 ± 1/64 = 90° FINAL SURFACE QUALITY REMOVE BURRS AND BREAK SHARP CORNERS		DATE 3/28/70	digital EQUIPMENT CORPORATION MAYNARD MASSACHUSETTS	
MATERIAL //		DATE 3/6/70	TITLE REGISTER CNTL	
FINISH //		DATE 3/6/70	M821 K4-1	
SCALE //		DATE 3/17/70	SIZE CODE D CS	
SHEET 1 OF 3		NUMBER M821-0-1		REV. B
ETCH REV B C		DIST.		1 Pin

REV D
M821-0-1
D CS
B



REV	CHG	NO	BY
B			
M821-00001			
J. O'LOUGHLIN			

DEC FORM NO. DRD 102A

FIRST USED ON OPTION MODEL PDPII	QTY.	DESCRIPTION	PART NO.	ITEM NO.
UNLESS OTHERWISE SPECIFIED	DRN	DATE	PARTS LIST	
UNLESS OTHERWISE SPECIFIED	CHKD	DATE	digital EQUIPMENT CORPORATION MAYNARD, MASSACHUSETTS	
DIMENSION IN INCHES	ENGR	DATE	TITLE	
TOLERANCES	PRG	DATE	REGISTER CNTL	
DECIMALS FRACTIONS ANGLES	PRD	DATE	M821 K4-3	
± .005 ± 1/64 ± 0°30'	APP	DATE	A-ML-KA11-0	
FINAL SURFACE QUALITY	FIN	DATE	SIZE CODE NUMBER REV	
REMOVE BURRS AND BREAK SHARP CORNERS	FIN	DATE	DICS M821-0-1 B	
MATERIAL	SCALE	SHEET 3 OF 3		
FINISH	SHEET	DIST.		

This drawing and specifications herein are the property of Digital Equipment Corporation and shall not be reproduced or copied or used in whole or in part as the basis for the manufacture or sale of items without written permission.

PARTS REFERENCE

ITEM NO	DRAWING REFERENCE	DESCRIPTION	PART NUMBER	QUANTITY
1	E1 E2 E8 E9 E19 E20 E27 E28	DEC 7402N	I.C. 1905004	5
2	E3 E4 E5 E6 E12 E13 E14 E15 E23 E24 E25 E26 E29 E30 E31 E32	7481N	I.C. 1905714	16
3	E7 E11 E18 E22	DEC 7403N	I.C. 1905022	4
4	E10 E21	DEC 8851	I.C. 1905735	2
5	E16	DEC 74001	I.C. 1905395	1
6	E17	DEC 7440N	I.C. 1905579	1
7	Q1 Q2 Q3 Q4 Q5 Q6 Q7 Q8	DEC 3009B	TRANSISTOR 1503102	8
8	R1 R4 R7 R10 R13 R16 R19 R22	330 1/4 W 5%	RES. 1300295	-
9	R3 R6 R9 R12 R15 R18 R21 R24	1.5 K 1/4 W 5%	RES. 1300331	5
10	R25 R40	1 K 1/4 W 5%	RES. 1300365	16
11	R41 R56	3 K 1/4 W 5%	RES. 1300432	16
12	C1 C40	.01 MFD 100V 20%	CAP. 1001610	40
13	C41 C42	6.8 MFD 35V 20%	CAP. 1200067	2
14	R2 R5 R8 R11 R14 R17 R20 R23	100 1/4 W 5%	RES. 1300225	8

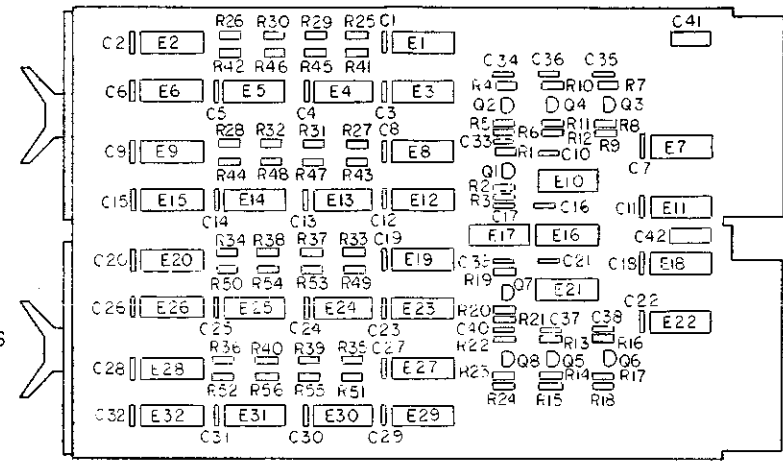
NOTES:

- PIN NOTATION THROUGHOUT IS ORDERED UPON MODULE PLACEMENT IN THE KAI1 PROCESSOR. MODULE REFERENCE ALONE IS OBTAINED BY DELETING THE NUMBER (SLOT LOCATION) AFTER THE FIRST LETTER, AND CONVERTING THE FIRST LETTER ACCORDING TO THE PIN NOMENCLATURE CHART AT RIGHT.
- ALL SIGNALS THAT HAVE MODULE PINS ARE SO NOTED; MULTIPLE NOTATIONS OF THE SAME SIGNALS WITHIN A MODULE HAVE THE PIN NOTED ON EACH. AN INPUT SIGNAL IS NOTED ONLY ONCE PER SHEET UNLESS SEPERATE PINS ARE USED; MULTIPLE INPUTS ARE CONNECTED. MODULE OUTPUT SIGNALS ARE BROUGHT TO THE EXTREME RIGHT OF EACH SHEET.
- PROCESSOR SIGNAL SOURCE NOTATION (K10-2, FOR EXAMPLE) IDENTIFIES THE SIGNAL SOURCE (PRINT AND MODULE). THE FIRST NUMBER AFTER THE K INDICATES THE MODULE PRINT SET, WHILE THE SECOND INDICATES THE SHEET WITHIN THE SET. IF ON A PRINT, THE FIRST NUMBER OF THE K PREFIXES COINCIDE FOR A SIGNAL NAME AND THE PRINT (SEE TITLE BLOCK), THE SIGNAL IS GENERATED ON THE MODULE. A DIFFERENCE IN THE FIRST NUMBER OF THE K PREFIXES INDICATES A SIGNAL GENERATED OFF THE MODULE. SIGNALS WITH A "BUS" PREFIX REPRESENT A "WIRED OR" SITUATION, AND MULTIPLE SOURCES FOR THE SIGNAL CAN EXIST.
- DETAILS ON COMPONENTS ARE NOTED IN THE PARTS REFERENCE, PLACEMENT IS NOTED IN THE COMPONENT PLACEMENT DIAGRAM.
- GND AND +5V ARE USUALLY PIN 7 AND PIN 14, RESPECTIVELY. EXCEPTIONS ARE:

IC TYPE	GND	+5V
7481	PIN 10	PIN 4
DEC 7482	PIN 11	PIN 4
8251	PIN 8	PIN 16
DEC 8271	PIN 8	PIN 16
DEC 380	PIN 1	PIN 8
DEC 384	PIN 1	PIN 8

- UNLESS OTHERWISE NOTED RESISTANCE IS IN OHMS; CAPACITANCE IS IN PICOFARADS. CAPACITORS WITHOUT ANY NOTED VALUES ARE .01 MFD.

COMPONENT PLACEMENT



PIN NOMENCLATURE

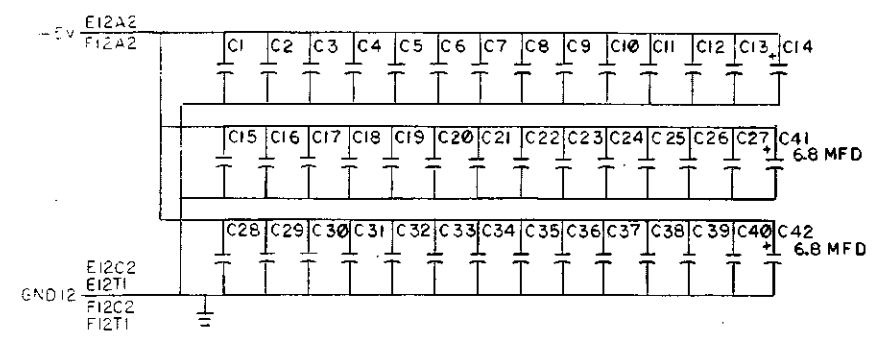
MODULE PROCESSOR

A

E

B

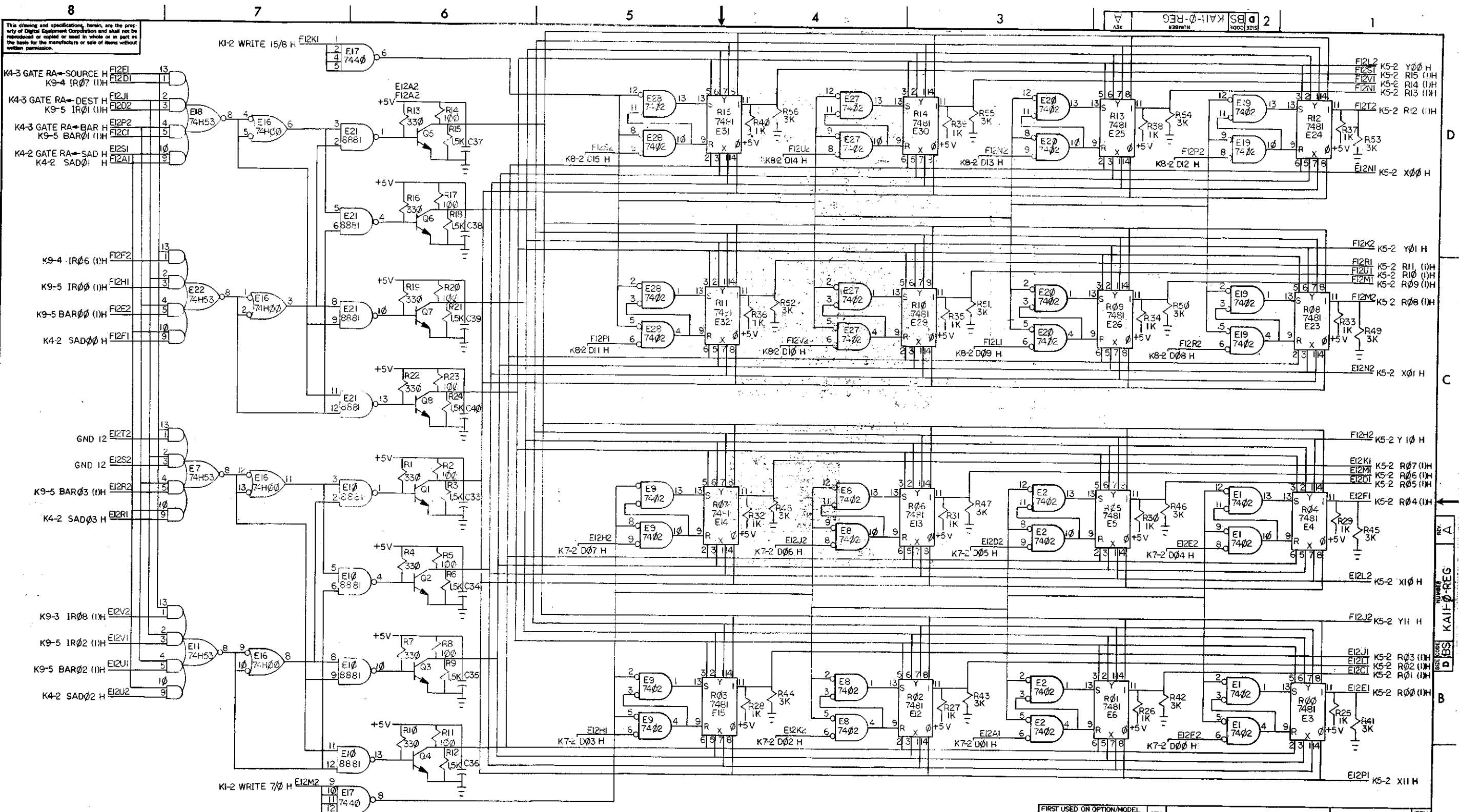
F



REV	DATE	BY	CHK
1	3-2-70	W. J. O'LOUGHLIN	W. J. O'LOUGHLIN
2	6-2-70	W. J. O'LOUGHLIN	W. J. O'LOUGHLIN

FIRST USED	USED OPTION	MODEL	QTY.	DESCRIPTION	PART NO.	ITEM NO.
		PDP 11				
PARTS LIST						
UNLESS OTHERWISE SPECIFIED						
DIMENSION IN INCHES						
TOLERANCES						
DECIMALS FRACTIONS ANGLES						
± .005 ± 1/64 ± 0°30'						
FINAL SURFACE QUALITY						
REMOVE BURRS AND BREAK SHARP CORNERS						
MATERIAL	NEXT HIGHER ASSY					
FINISH	A-ML-KAI1-Ø					
SCALE	SHEET OF 2					
TITLE			REV.			
REGISTER			A			
M225			K5-1			
SIZE CODE			NUMBER			
D BS			KAI1-Ø-REG			
DIST.						

This drawing and specifications, herein, are the property of Digital Equipment Corporation and shall not be reproduced or copied in whole or in part as the basis for the manufacture or sale of items without written permission.



REV.	
CHG.	
REVISIONS	
CHANGE NO.	
CHK.	

FIRST USED ON OPTION/MODEL	QTY.	DESCRIPTION	PART NO.	ITEM NO.
PDPII				
UNLESS OTHERWISE SPECIFIED				
DIMENSION IN INCHES				
TOLERANCES				
DECIMALS FRACTIONS ANGLES				
= .005 ± 1/64 ± 0°30'				
FINAL SURFACE QUALITY				
REMOVE BURRS AND BREAK SHARP CORNERS				
MATERIAL				
FINISH				
NEXT HIGHER ASSEMBLY		PARTS LIST		
A-ML-KAII-0		digital EQUIPMENT CORPORATION		
SCALE NONE		REGISTER		
SHEET 2 OF 2		M225 K52		
		DBS KAI-0-REG		
		REV. A		

DEC FORM NO. 102A

8

7

6

5

4

3

2

1

PARTS REFERENCE

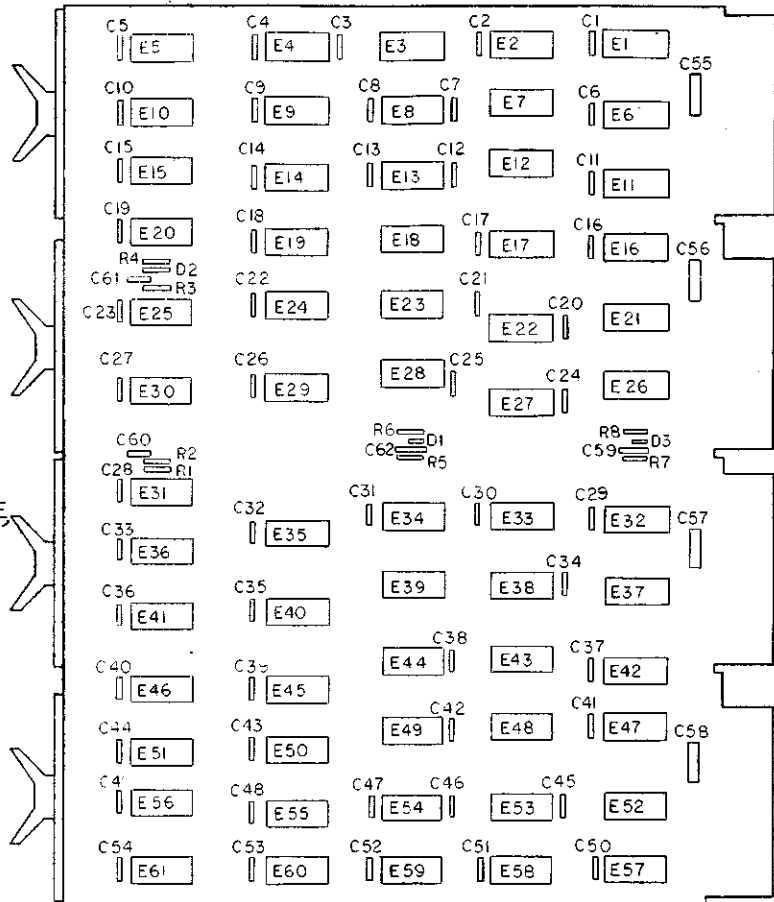
ITEM	DRAWING REFERENCE	DESCRIPTION	PART NUMBER	QUANTITY
1	F1, F2, F3, F4, F5, F6, F7, F8, F9, F10, F11, F12, F13, F14, F15, F16, F17, F18, F19, F20, F21, F22, F23, F24, F25, F26, F27, F28, F29, F30, F31, F32, F33, F34, F35, F36, F37, F38, F39, F40, F41, F42, F43, F44, F45, F46, F47, F48, F49, F50, F51, F52, F53, F54, F55, F56, F57, F58, F59, F60	DEC 7400N	IC 1905575	14
2	E1, E2, E3, E4, E5, E6, E7, E8, E9, E10, E11, E12, E13, E14, E15, E16, E17, E18, E19, E20, E21, E22, E23, E24, E25, E26, E27, E28, E29, E30, E31, E32, E33, E34, E35, E36, E37, E38, E39, E40, E41, E42, E43, E44, E45, E46, E47, E48, E49, E50, E51, E52, E53, E54, E55, E56, E57, E58, E59, E60	DEC 7410N	IC 1905576	6
3		DEC 7450N	IC 1905580	8
4		DEC 8815A	IC 1909713	4
5		DEC 7402N	IC 1909004	8
6		DEC 7440N	IC 1905579	4
7		DEC 7453N	IC 1905582	1
8		DEC 7420N	IC 1905577	1
9		DEC 7460N	IC 1905581	8
10		DEC 74H53N	IC 1909062	1
11		DEC 74H02N	IC 1909056	1
12		DEC 7474N	IC 1905547	2
13		DEC 7401N	IC 1905590	1
14		DEC 74H30N	IC 1909059	1
15		DEC 74H40N	IC 1905586	1
16	C1-C54	.01 MFD 100V 20%	CAP 1001610	54
17	C55-C58	6.8 MFD 35V 20%	CAP 1000067	4
18	C59	270 MMF 100V 5%	CAP 1000022	1
19	C60, C61, C62	330 MMF 100V 5%	CAP 1000023	3
20	R1	1000 OHMS 1/4W 5%	RES 1300365	1
21	R2	47 OHMS 1/4W 5%	RES 1300202	1
22	R3, R5	470 OHMS 1/4W 5%	RES 1300316	2
23	R4, R6, R8	220 OHMS 1/4W 5%	RES 1300271	3
24	R7	560 OHMS 1/4W 5%	RES 1301890	1
25	D1, D2, D3	D664 DIODE	1100114	3

NOTES:

- PIN NOTATION THROUGHOUT IS ORDERED UPON MODULE PLACEMENT IN THE KAI1 PROCESSOR. MODULE REFERENCE ALONE IS OBTAINED BY DELETING THE NUMBER (SLOT LOCATION) AFTER THE FIRST LETTER, AND CONVERTING THE FIRST LETTER ACCORDING TO THE PIN NOMENCLATURE CHART AT RIGHT.
- ALL SIGNALS THAT HAVE MODULE PINS ARE SO NOTED; MULTIPLE NOTATIONS OF THE SAME SIGNALS WITHIN A MODULE HAVE THE PIN NOTED ON EACH. AN INPUT SIGNAL IS NOTED ONLY ONCE PER SHEET UNLESS SEPERATE PINS ARE USED; MULTIPLE INPUTS ARE CONNECTED. MODULE OUTPUT SIGNALS ARE BROUGHT TO THE EXTREME RIGHT OF EACH SHEET.
- PROCESSOR SIGNAL SOURCE NOTATION (K10-2, FOR EXAMPLE) IDENTIFIES THE SIGNAL SOURCE (PRINT AND MODULE). THE FIRST NUMBER AFTER THE K INDICATES THE MODULE PRINT SET, WHILE THE SECOND INDICATES THE SHEET WITHIN THE SET. IF ON A PRINT, THE FIRST NUMBER OF THE K PREFIXES COINCIDE FOR A SIGNAL NAME AND THE PRINT (SEE TITLE BLOCK), THE SIGNAL IS GENERATED ON THE MODULE. A DIFFERENCE IN THE FIRST NUMBER OF THE K PREFIXES INDICATES A SIGNAL GENERATED OFF THE MODULE. SIGNALS WITH A "BUS" PREFIX REPRESENT A "WIRED OR" SITUATION, AND MULTIPLE SOURCES FOR THE SIGNAL CAN EXIST.
- DETAILS ON COMPONENTS ARE NOTED IN THE PARTS REFERENCE. PLACEMENT IS NOTED IN THE COMPONENT PLACEMENT DIAGRAM.
- GND AND +5V ARE USUALLY PIN 7 AND PIN 14, RESPECTIVELY. EXCEPTIONS ARE:

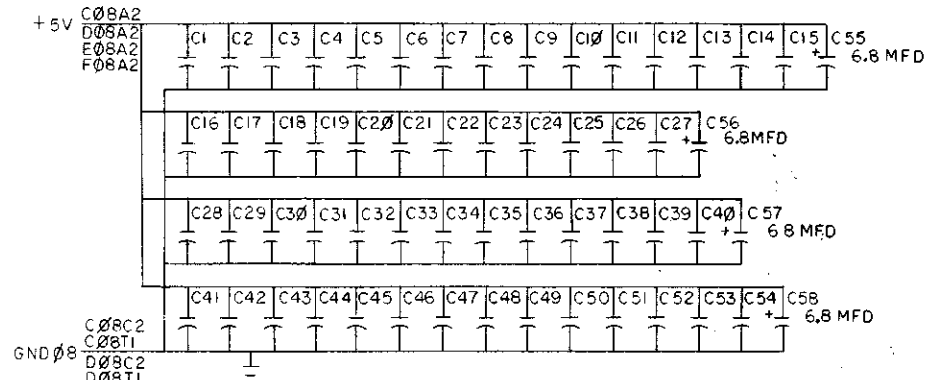
IC TYPE	GND	+5V
DEC 7401	PIN 10	PIN 4
DEC 7402	PIN 11	PIN 4
6251	PIN 8	PIN 16
DEC 6271	PIN 8	PIN 16
DEC 380	PIN 1	PIN 8
DEC 384	PIN 1	PIN 8
- UNLESS OTHERWISE NOTED: RESISTANCE IS IN OHMS; CAPACITANCE IS IN PICO FARADS. CAPACITORS WITHOUT ANY NOTED VALUES ARE .01 MFD.

COMPONENT PLACEMENT



PIN NOMENCLATURE

MODULE	PROCESSOR
A	C
B	D
C	E
D	F



FIRST USED ON OPTION/MODEL	QTY.	DESCRIPTION	PART NO.	ITEM NO.
PDP 11				
PARTS LIST				
UNLESS OTHERWISE SPECIFIED				
DIMENSION IN INCHES				
TOLERANCES				
DECIMALS FRACTIONS ANGLES				
= .005 = 1/64 = 0°30'				
FINAL SURFACE QUALITY				
REMOVE BURRS AND BREAK SHARP CORNERS				
MATERIAL				
NEXT HIGHER ASSY				
FINISH				
SCALE				
SHEET 1 OF 5				

digital EQUIPMENT CORPORATION
MAYFORD, MASSACHUSETTS

TITLE: DATA PATH CNTL

M820 K6-1

SIZE CODE: DCS M820-0-1

REV: B

ETCH REV: B C

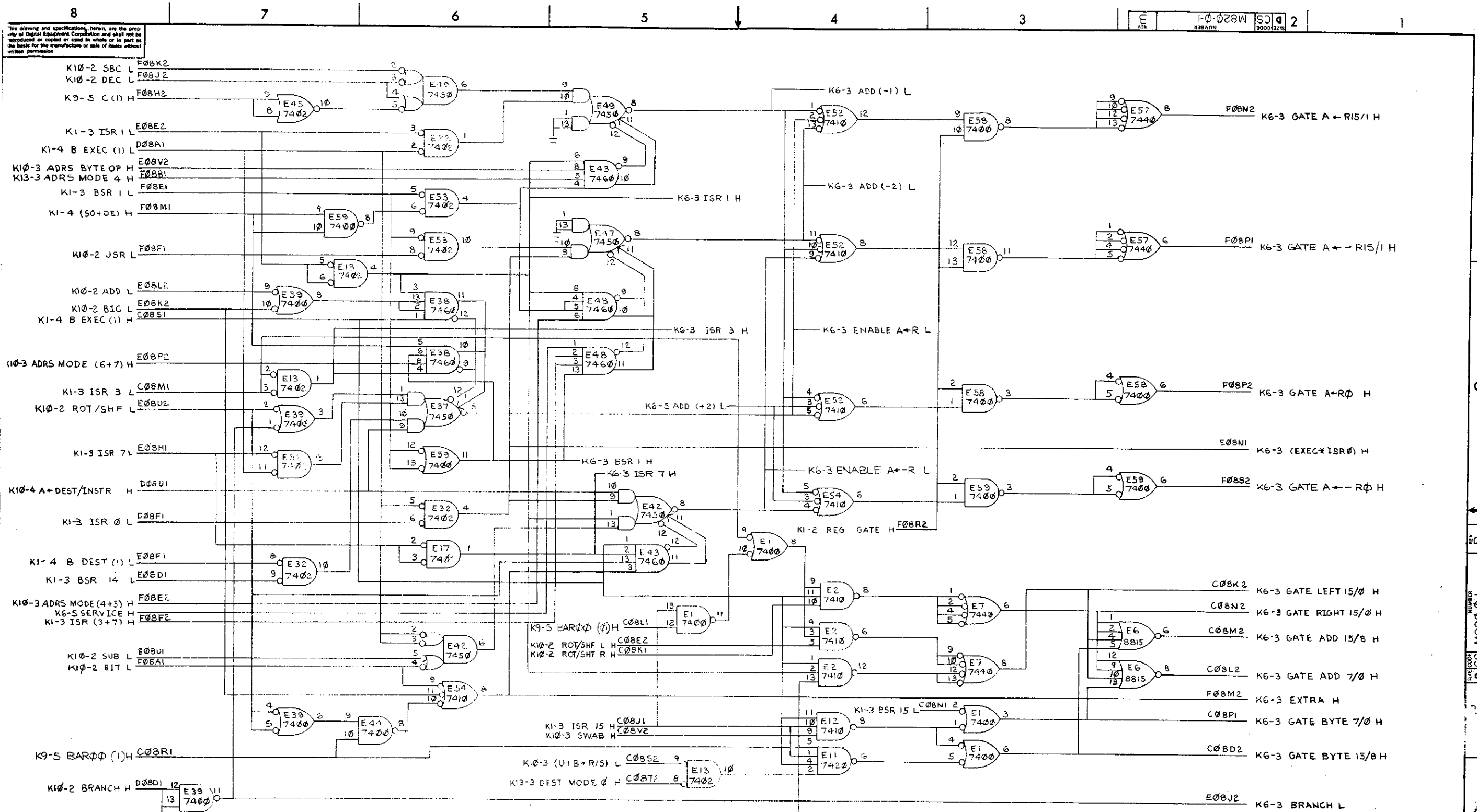
DIST: 344 1/35

1 Pin

REV.	DATE	BY	CHKD.
B	12/21/70	J. O'LOUGHLIN	
A	4/23/70		

CHANGE NO. 00001

DCS M820-0-0001

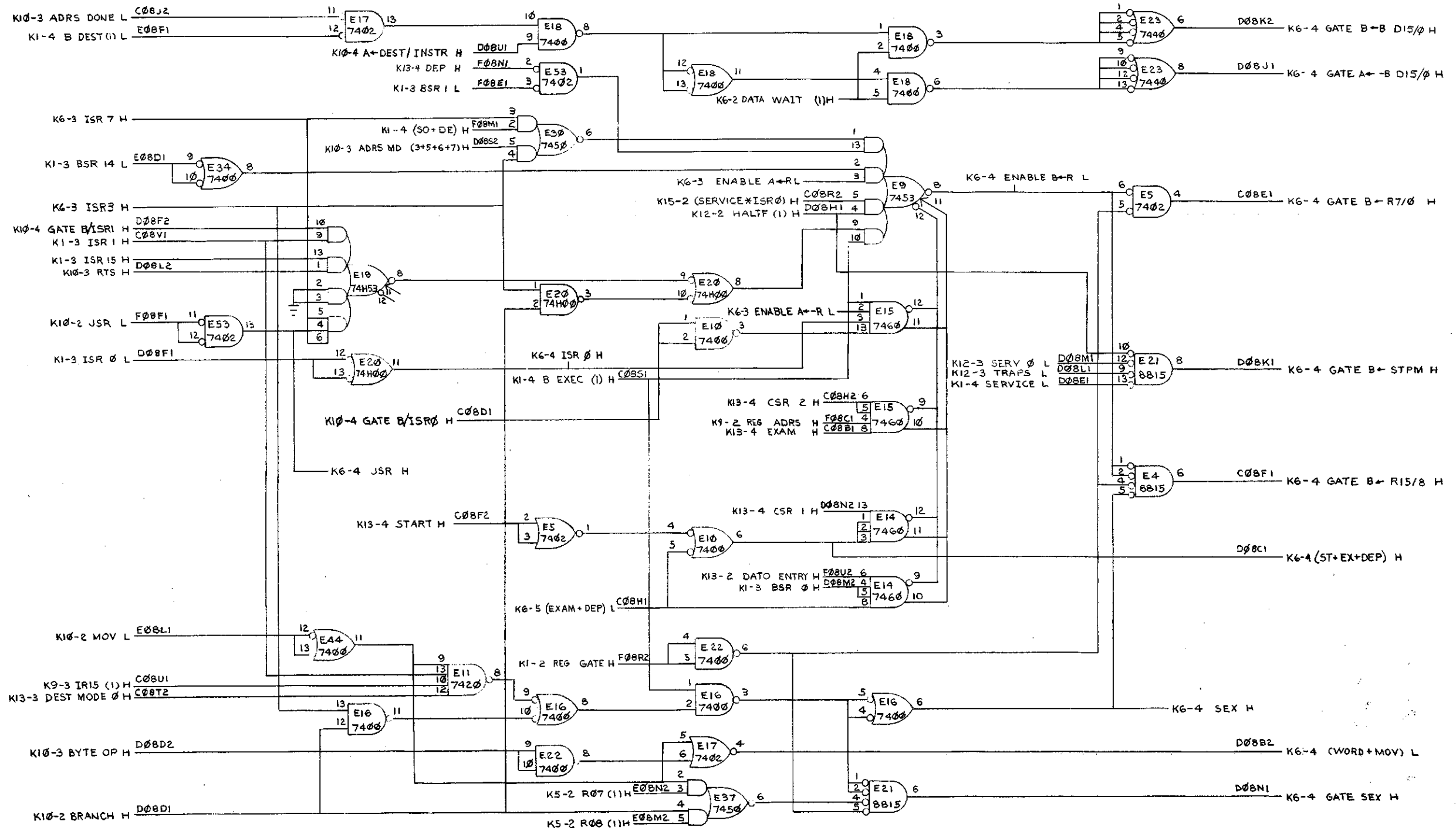


REV.	
CHANGE NO.	
CHK.	

FIRST USED ON OPTION MODEL PDPII	QTY.	DESCRIPTION	PART NO.	ITEM NO.
UNLESS OTHERWISE SPECIFIED				
DIMENSION IN INCHES				
TOLERANCES				
DECIMALS FRACTIONS ANGLES				
± .005 ± .124 ± 0°30'				
FINAL SURFACE QUALITY				
REMOVE BURRS AND BREAK SHARP CORNERS				
MATERIAL	NEXT HIGHER ASSY			
FINISH	SCALE NONE			
SHEET 3 OF 5		DIST.		

PARTS LIST		TITLE	
digital CORPORATION MAYNARD, MASSACHUSETTS		DATA PATH CNTL	
M820		K6-3	
SIZE CODE	NUMBER	REV.	
DJCS	M820-0-1	B	

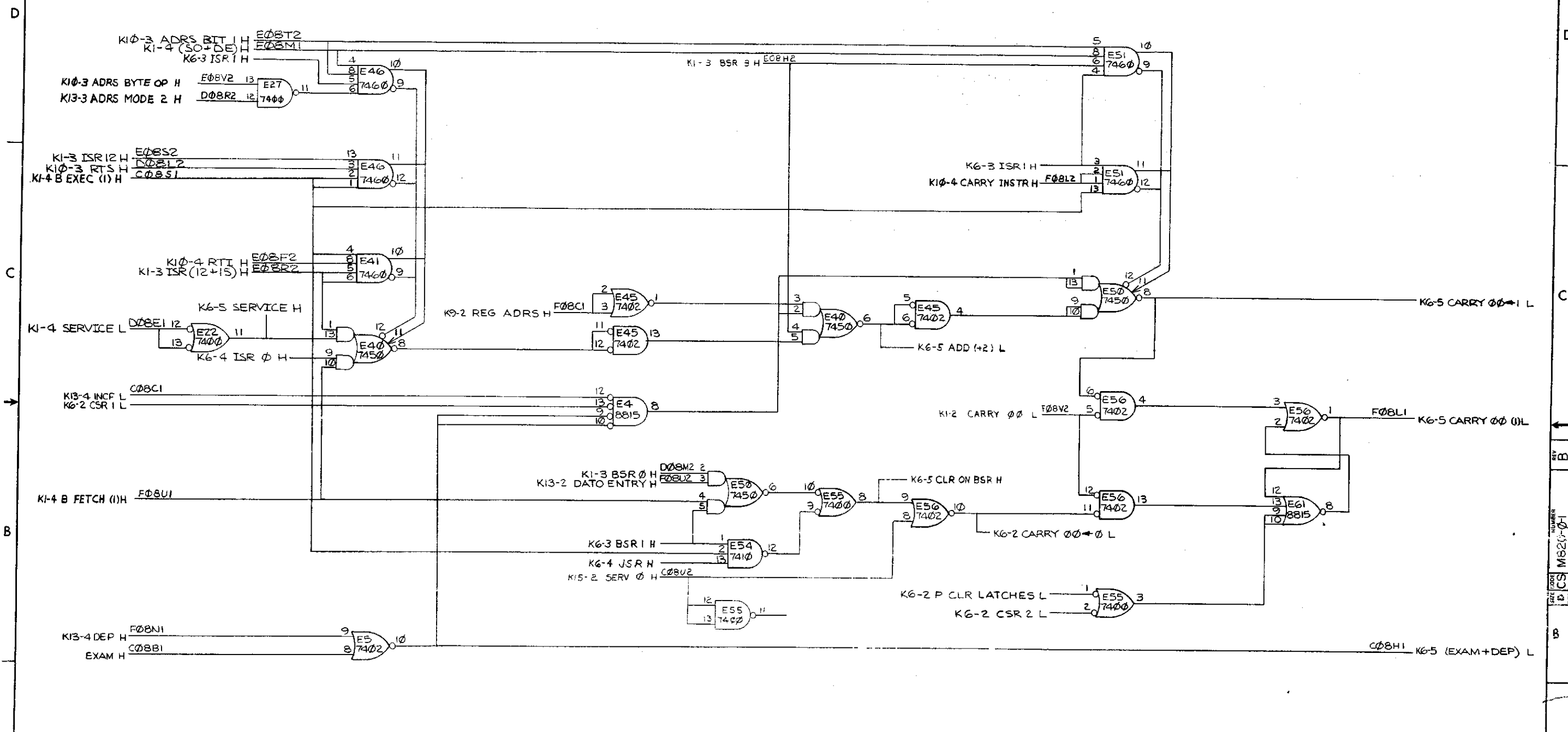
This drawing and specifications herein are the property of Digital Equipment Corporation and shall not be reproduced or copied or used in whole or in part as the basis for the manufacture or sale of items without written permission.



REVISIONS	REV.
CHANGE NO.	
CHK	

FIRST USED ON OPTION/MODEL	QTY.	DESCRIPTION	PART NO.	ITEM NO.
PDP11				
UNLESS OTHERWISE SPECIFIED	DRN	DATE	PARTS LIST	
UNLESS OTHERWISE SPECIFIED	DATE	2-12-69	digital EQUIPMENT CORPORATION	
DIMENSION IN INCHES	DATE	3/18/70	MAYNARD MASSACHUSETTS	
TOLERANCES	DATE	3-5-70	TITLE	
DECIMALS FRACTIONS ANGLES	DATE	3-5-70	DATA PATH CNTL	
± .005 ± 1/64 ± 0°30'	DATE	3-5-70	M820	
FINAL SURFACE QUALITY	DATE		K6-4	
REMOVE BURRS AND BREAK SHARP CORNERS	DATE		A-ML-KA11-0	
MATERIAL	NEXT HIGHER ASSY		M820	
FINISH	SCALE	NONE	DCS M820-0-1	
	SHEET	4 OF 5	REV B.1	

This drawing and specifications, herein, are the property of Digital Equipment Corporation and shall not be reproduced or copied or used in whole or in part as the basis for the manufacture or sale of items without written permission.



REV	CHG	NO

FIRST USED ON OPTION MODEL	QTY.	DESCRIPTION	PART NO.	ITEM NO.
PDP11				
UNLESS OTHERWISE SPECIFIED				
DIMENSION IN INCHES				
TOLERANCES				
DECIMALS	FRACTIONS	ANGLES		
± .005	± 1/64	± 0°30'		
FINAL SURFACE QUALITY				
REMOVE BURRS AND BREAK SHARP CORNERS				
MATERIAL	NEXT HIGHER ASSY			
+	A-ML-KA11-0			
FINISH	SCALE	SHEET		OF
+	NONE	5		5
PARTS LIST		digital EQUIPMENT CORPORATION MAYNARD, MASSACHUSETTS		
DRN	DATE	TITLE		
A. Radis	12-31-68	DATA PATH CNTL		
CHK'D	DATE			
T. Gough	3/16/70			
ENG	DATE			
T. Gough	3-5-70			
PROJ. ENG	DATE			
T. Gough	3-5-70			
PROD.	DATE			
M820		K6-5		
SIZE CODE	NUMBER	REV.		
DCS	M820-01	B		
SHEET		DIST.		
5		OF 5		

1 Pink

This drawing and specifications herein are the property of Digital Equipment Corporation and shall not be reproduced or copied or used in whole or in part as the basis for the manufacture or sale of items without written permission.

PARTS REFERENCE

ITEM NO	DRAWING REFERENCE	DESCRIPTION	PART NUMBER	QUANTITY
1	E1-E3, E7, E13, E15, E19, E21-E26, E31-E36	DEC 74H53N	IC 1909062	24
2	E2, E8, E14, E20	DEC 7482N	IC 1905584	4
3	E5, E12, E27-E30	DEC 74H02N	IC 1909056	8
4	C1-C36	.01 MFD, 100V, 20%	CAP 1002610	36
5	C37, C38	6.8 MFD, 35V, 20%	CAP 1002067	2

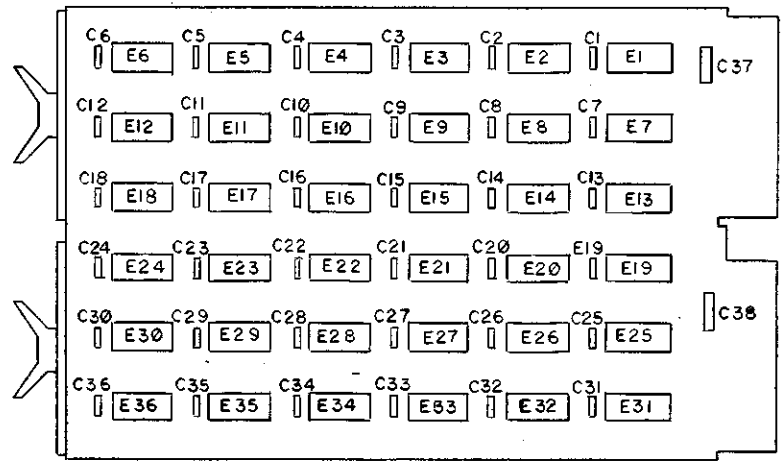
NOTES:

- PIN NOTATION THROUGHOUT IS ORDERED UPON MODULE PLACEMENT IN THE KAI1 PROCESSOR. MODULE REFERENCE ALONE IS OBTAINED BY DELETING THE NUMBER (SLOT LOCATION) AFTER THE FIRST LETTER, AND CONVERTING THE FIRST LETTER ACCORDING TO THE PIN NOMENCLATURE CHART AT RIGHT.
- ALL SIGNALS THAT HAVE MODULE PINS ARE SO NOTED; MULTIPLE NOTATIONS OF THE SAME SIGNALS WITHIN A MODULE HAVE THE PIN NOTED ON EACH. AN INPUT SIGNAL IS NOTED ONLY ONCE PER SHEET UNLESS SEPERATE PINS ARE USED; MULTIPLE INPUTS ARE CONNECTED. DATA FLOW IS FROM THE BOTTOM TO THE TOP.
- PROCESSOR SIGNAL SOURCE NOTATION (K10-2, FOR EXAMPLE) IDENTIFIES THE SIGNAL SOURCE (PRINT AND MODULE). THE FIRST NUMBER AFTER THE K INDICATES THE MODULE PRINT SET, WHILE THE SECOND INDICATES THE SHEET WITHIN THE SET. IF ON A PRINT, THE FIRST NUMBER OF THE K PREFIXES COINCIDE FOR A SIGNAL NAME AND THE PRINT (SEE TITLE BLOCK), THE SIGNAL IS GENERATED ON THE MODULE. A DIFFERENCE IN THE FIRST NUMBER OF THE K PREFIXES INDICATES A SIGNAL GENERATED OFF THE MODULE. SIGNALS WITH A "BUS" PREFIX REPRESENT A "WIRED OR" SITUATION, AND MULTIPLE SOURCES FOR THE SIGNAL CAN EXIST.
- DETAILS ON COMPONENTS ARE NOTED IN THE PARTS REFERENCE, PLACEMENT IS NOTED IN THE COMPONENT PLACEMENT DIAGRAM.
- GND AND +5V ARE USUALLY PIN 7 AND PIN 14, RESPECTIVELY. EXCEPTIONS ARE:

IC TYPE	GND	+5V
DEC 7481	PIN 10	PIN 4
DEC 7482	PIN 11	PIN 4
8251	PIN 8	PIN 16
DEC 8271	PIN 8	PIN 16
DEC 380	PIN 1	PIN 8
DEC 384	PIN 1	PIN 8

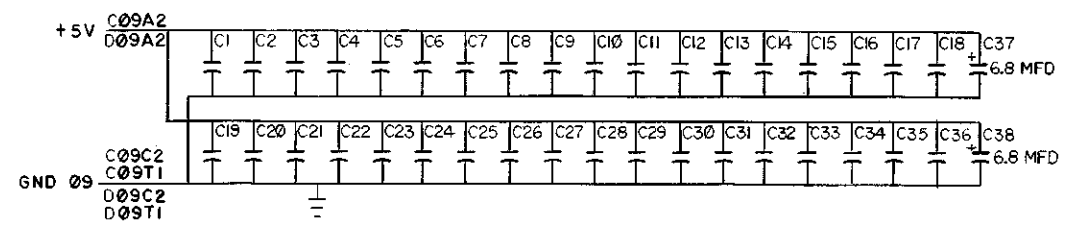
6 UNLESS OTHERWISE NOTED: RESISTANCE IS IN OHMS; CAPACITANCE IS PICOFARADS. CAPACITORS WITHOUT ANY NOTED VALUES ARE .01 MFD.

COMPONENT PLACEMENT



PIN NOMENCLATURE

MODULE	PROCESSOR
A	C
B	D

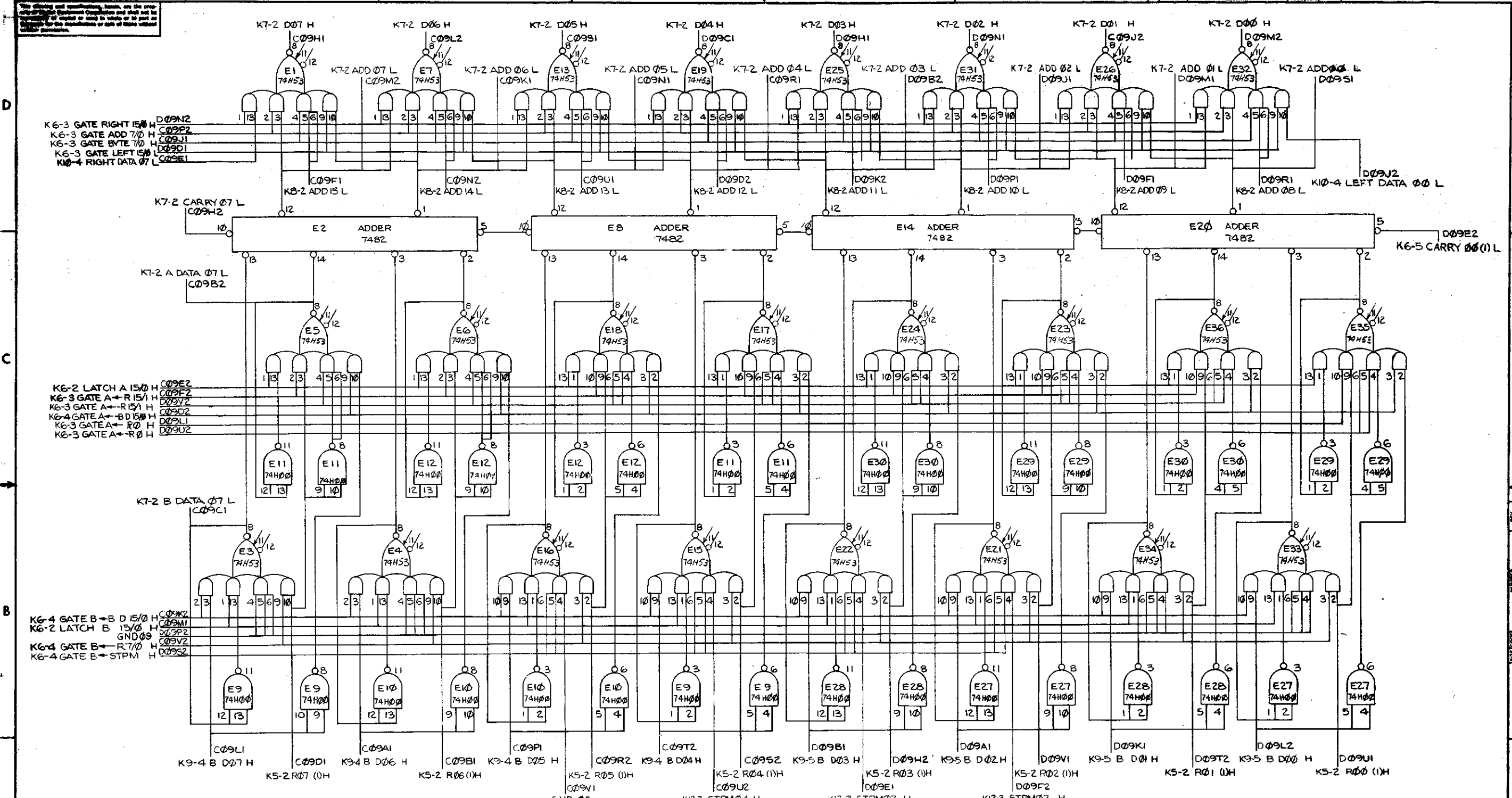


REVISIONS

CHK	CHANGE NO.	REV
	0003	A

J. O. LOUGHLIN
17

FIRST USED ON OPTION/ MODEL PDP 11	QTY.	DESCRIPTION	PART NO.	ITEM NO.
PARTS LIST				
UNLESS OTHERWISE SPECIFIED DIMENSION IN INCHES TOLERANCES DECIMALS FRACTIONS ANGLES ± .005 ± 1/64 ± 0°30'	DRN 30 Jan 70	DATE 3-2-70	digital EQUIPMENT CORPORATION MAYNARD, MASSACHUSETTS	
MATERIAL	PROL ENG 3-6-70	DATE 3-6-70	TITLE DATA PATHS I	
FINISH	SCALE	SHEET 1 OF 2	NUMBER M224	REV K7-1
			SIZE CODE DBS	NUMBER KAI1-0-DPI



REV.	NO.	DATE	BY
1	1	12-1-69	PO2

FIRST USED ON OPTION MODEL	QTY.	DESCRIPTION	PART NO.	ITEM NO.
PDPII				
UNLESS OTHERWISE SPECIFIED				
DIMENSION IN INCHES				
TOLERANCES				
DECIMALS FRACTIONS ANGLES				
± .005 ± .002 ± .001				
FINAL SURFACE QUALITY REMOVE BURRS AND BREAK SHARP CORNERS				
MATERIAL				
NEXT HIGHER ASSY				
SCALE NONE				
SHEET 2 OF 2				

PARTS LIST		EQUIPMENT CORPORATION MAYNARD, MASSACHUSETTS	
digital		TITLE	
DATA PATHS I		M224 K7-2	
DBS	KAI1-0-DPI	NUMBER	REV.
			PA

This drawing and specifications, however, are the property of Digital Equipment Corporation and shall not be reproduced or copied or used in whole or in part as the basis for the manufacture or sale of items without written permission.

PARTS REFERENCE

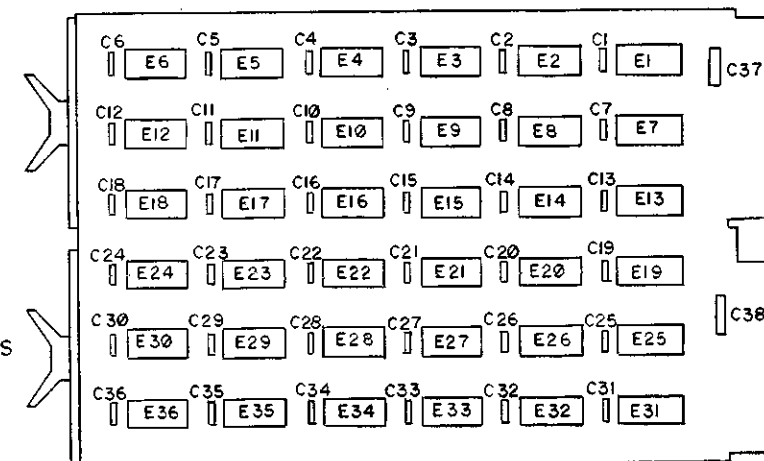
ITEM NO	DRAWING REFERENCE	DESCRIPTION	PART NUMBER	QUANTITY
1	E1E3-E7, E13, E15-E19, E21-E26, E31-E36	DEC 74H53N	IC 1909062	24
2	E2, E8, E4, E20	DEC 7482N	IC 1905584	4
3	E9-E12, E27-E30	DEC 74H00N	IC 1909055	8
4	C1-C36	.01 MFD, 100V, 20%	CAP 1001610	36
5	C37, C38	6.8 MFD, 35V, 20%	CAP 1000067	2

NOTES:

- PIN NOTATION THROUGHOUT IS ORDERED UPON MODULE PLACEMENT IN THE KAI1 PROCESSOR. MODULE REFERENCE ALONE IS OBTAINED BY DELETING THE NUMBER (SLOT LOCATION) AFTER THE FIRST LETTER, AND CONVERTING THE FIRST LETTER ACCORDING TO THE PIN NOMENCLATURE CHART AT RIGHT.
- ALL SIGNALS THAT HAVE MODULE PINS ARE SO NOTED; MULTIPLE NOTATIONS OF THE SAME SIGNALS WITHIN A MODULE HAVE THE PIN NOTED ON EACH. AN INPUT SIGNAL IS NOTED ONLY ONCE PER SHEET UNLESS SEPERATE PINS ARE USED; MULTIPLE INPUTS ARE CONNECTED. DATA FLOW IS FROM THE BOTTOM TO THE TOP.
- PROCESSOR SIGNAL SOURCE NOTATION (K10-2, FOR EXAMPLE) IDENTIFIES THE SIGNAL SOURCE (PRINT AND MODULE). THE FIRST NUMBER AFTER THE K INDICATES THE MODULE PRINT SET, WHILE THE SECOND INDICATES THE SHEET WITHIN THE SET. IF ON A PRINT, THE FIRST NUMBER OF THE K PREFIXES COINCIDE FOR A SIGNAL NAME AND THE PRINT (SEE TITLE BLOCK), THE SIGNAL IS GENERATED ON THE MODULE. A DIFFERENCE IN THE FIRST NUMBER OF THE K PREFIXES INDICATES A SIGNAL GENERATED OFF THE MODULE. SIGNALS WITH A "BUS" PREFIX REPRESENT A "WIRED OR" SITUATION, AND MULTIPLE SOURCES FOR THE SIGNAL CAN EXIST.
- DETAILS ON COMPONENTS ARE NOTED IN THE PARTS REFERENCE, PLACEMENT IS NOTED IN THE COMPONENT PLACEMENT DIAGRAM.
- GND AND +5V ARE USUALLY PIN 7 AND PIN 14, RESPECTIVELY. EXCEPTIONS ARE:

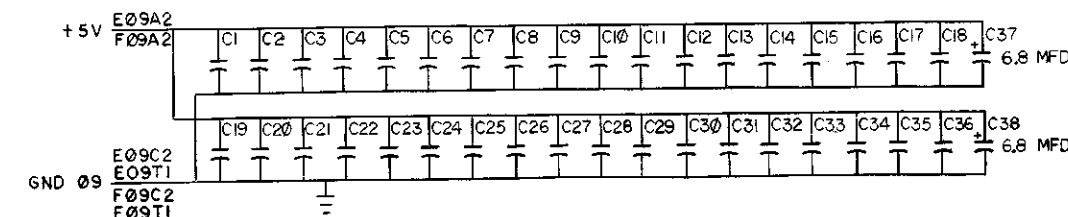
IC TYPE	GND	+5V
DEC 7481	PIN 10	PIN 4
DEC 7482	PIN 11	PIN 4
8251	PIN 8	PIN 16
DEC 8271	PIN 8	PIN 16
DEC 380	PIN 1	PIN 8
DEC 384	PIN 1	PIN 8
- UNLESS OTHERWISE NOTED: RESISTANCE IS IN OHMS; CAPACITANCE IS IN PICOFARADS. CAPACITORS WITHOUT ANY NOTED VALUES ARE .01 MFD.

COMPONENT PLACEMENT



PIN NOMENCLATURE

MODULE	PROCESSOR
A	E
B	F



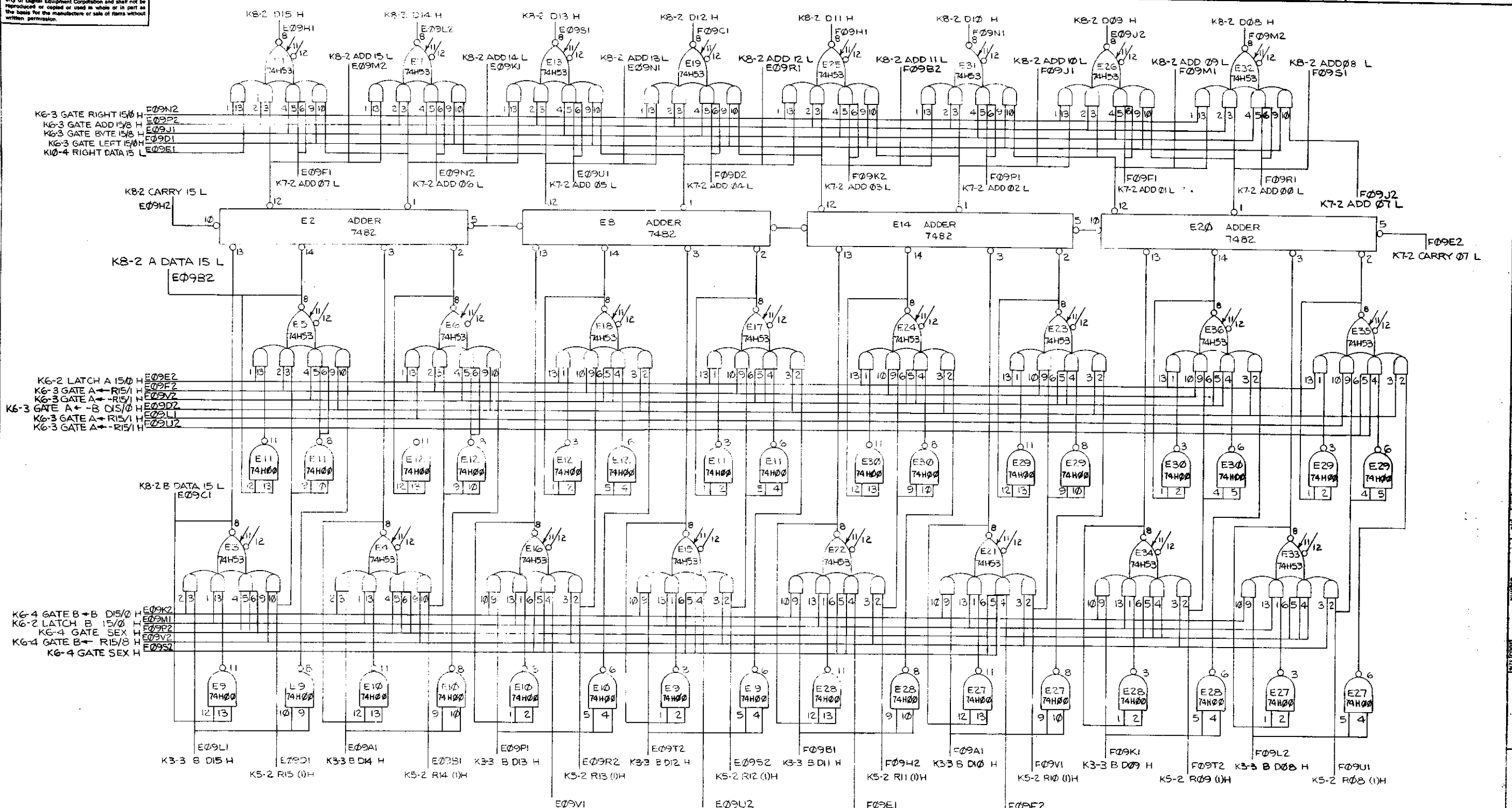
REVISIONS

CHK	CHANGE NO	REV
	KAI1-0003	A

J. O'LOUGHLIN
6-2-70

FIRST USED ON OPTION/MODEL PDP 11	QTY.	DESCRIPTION	PART NO.	ITEM NO.
UNLESS OTHERWISE SPECIFIED				
DIMENSION IN INCHES				
TOLERANCES				
DECIMALS FRACTIONS ANGLES				
= .005 = 1/64 = 0.375				
FINAL SURFACE QUALITY				
REMOVE BURRS AND BREAK SHARP CORNERS				
MATERIAL				
FINISH				
NEXT HIGHER ASSY		TITLE		
A-ML-KAI1-0		DATA PATHS 2		
SCALE		PART NO. M224		
SHEET OF 2		NUMBER DBS KAI1-0-DP2		
DATE		REV A		

This drawing and specifications, herein, are the property of Digital Equipment Corporation and shall not be reproduced or copied or used in whole or in part as the basis for the manufacture or sale of items without written permission.



REV.	CHANGE NO.

FIRST USED ON OPTION/MODEL	QTY.	DESCRIPTION	PART NO.	ITEM NO.
PDP-11				
PARTS LIST				
digital EQUIPMENT CORPORATION MAYNARD, MASSACHUSETTS				
TITLE DATA PATHS 2 M224 K8-2				
SIZE CODE			NUMBER	REV
A-ML-KA11-0			DBS	A
SCALE NONE		SHEET 2 OF 2		DIST.

PARTS REFERENCE

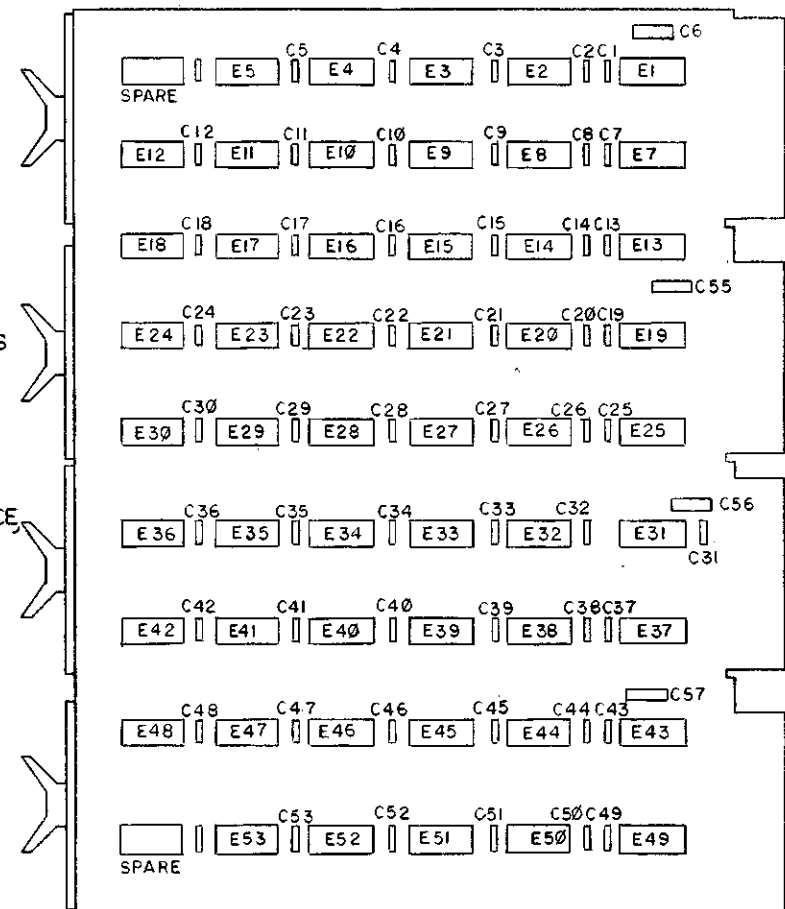
ITEM NO.	DRAWING REFERENCE	DESCRIPTION	PART NUMBER	QUANTITY
1	E1, E7, E13, E19, E25, E31, E37, E43, E49	DEC 8881	IC 1909705	9
2	E2, E8, E9, E14, E15, E20, E21, E26, E27	DEC 7474N	IC 1905547	21
3	E3, E17, E22, E29	DEC 8815A	IC 1909713	4
4	E4, E24	DEC 7410N	IC 1905576	2
5	E5, E16, E53	DEC 7440N	IC 1905575	3
6	E10, E28	DEC 7430N	IC 1905578	2
7	E11, E23	DEC 7420N	IC 1905577	2
8	E12, E46, E47	DEC 7450N	IC 1905580	3
9	E18, E42, E48	DEC 7440N	IC 1905579	3
10	E32, E59	DEC 380	IC 909485	2
11	E49	DEC 7402N	IC 909004	1
12	C1, C5, C7, C53	.01 MFD 100V 20%	CAP 1001610	52
13	C55, C57, C6	.68 MFD 35V 20%	CAP 1000067	4

NOTES:

- PIN NOTATION THROUGHOUT IS ORDERED UPON MODULE PLACEMENT IN THE KAI1 PROCESSOR. MODULE REFERENCE ALONE IS OBTAINED BY DELETING THE NUMBER (SLOT LOCATION) AFTER THE FIRST LETTER, AND CONVERTING THE FIRST LETTER ACCORDING TO THE PIN NOMENCLATURE CHART AT RIGHT.
- ALL SIGNALS THAT HAVE MODULE PINS ARE SO NOTED; MULTIPLE NOTATIONS OF THE SAME SIGNALS WITHIN A MODULE HAVE THE PIN NOTED ON EACH. AN INPUT SIGNAL IS NOTED ONLY ONCE PER SHEET UNLESS SEPERATE PINS ARE USED; MULTIPLE INPUTS ARE CONNECTED. MODULE OUTPUT SIGNALS ARE BROUGHT TO THE EXTREME RIGHT OF EACH SHEET.
- PROCESSOR SIGNAL SOURCE NOTATION (K10-2, FOR EXAMPLE) IDENTIFIES THE SIGNAL SOURCE (PRINT AND MODULE). THE FIRST NUMBER AFTER THE K INDICATES THE MODULE PRINT SET, WHILE THE SECOND INDICATES THE SHEET WITHIN THE SET. IF ON A PRINT, THE FIRST NUMBER OF THE K PREFIXES COINCIDE FOR A SIGNAL NAME AND THE PRINT (SEE TITLE BLOCK), THE SIGNAL IS GENERATED ON THE MODULE. A DIFFERENCE IN THE FIRST NUMBER OF THE K PREFIXES INDICATES A SIGNAL GENERATED OFF THE MODULE. SIGNALS WITH A "BUS" PREFIX REPRESENT A "WIRED OR" SITUATION, AND MULTIPLE SOURCES FOR THE SIGNAL CAN EXIST.
- DETAILS ON COMPONENTS ARE NOTED IN THE PARTS REFERENCE. PLACEMENT IS NOTED IN THE COMPONENT PLACEMENT DIAGRAM.
- GND AND +5V ARE USUALLY PIN 7 AND PIN 14, RESPECTIVELY. EXCEPTIONS ARE:

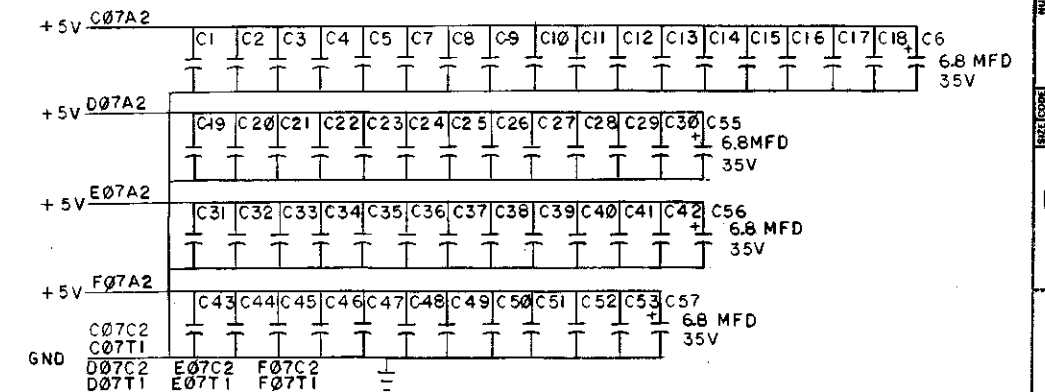
IC TYPE	GND	+5V
DEC 7481	PIN 10	PIN 4
DEC 7482	PIN 11	PIN 4
8251	PIN 8	PIN 16
DEC 8271	PIN 8	PIN 16
DEC 380	PIN 1	PIN 8
DEC 384	PIN 1	PIN 8
- UNLESS OTHERWISE NOTED: RESISTANCE IS IN OHMS; CAPACITANCE IS IN PICOFARADS. CAPACITORS WITHOUT ANY NOTED VALUES ARE .01 MFD.

COMPONENT PLACEMENT



PIN NOMENCLATURE

MODULE	PROCESSOR
A	C
B	D
C	E
D	F

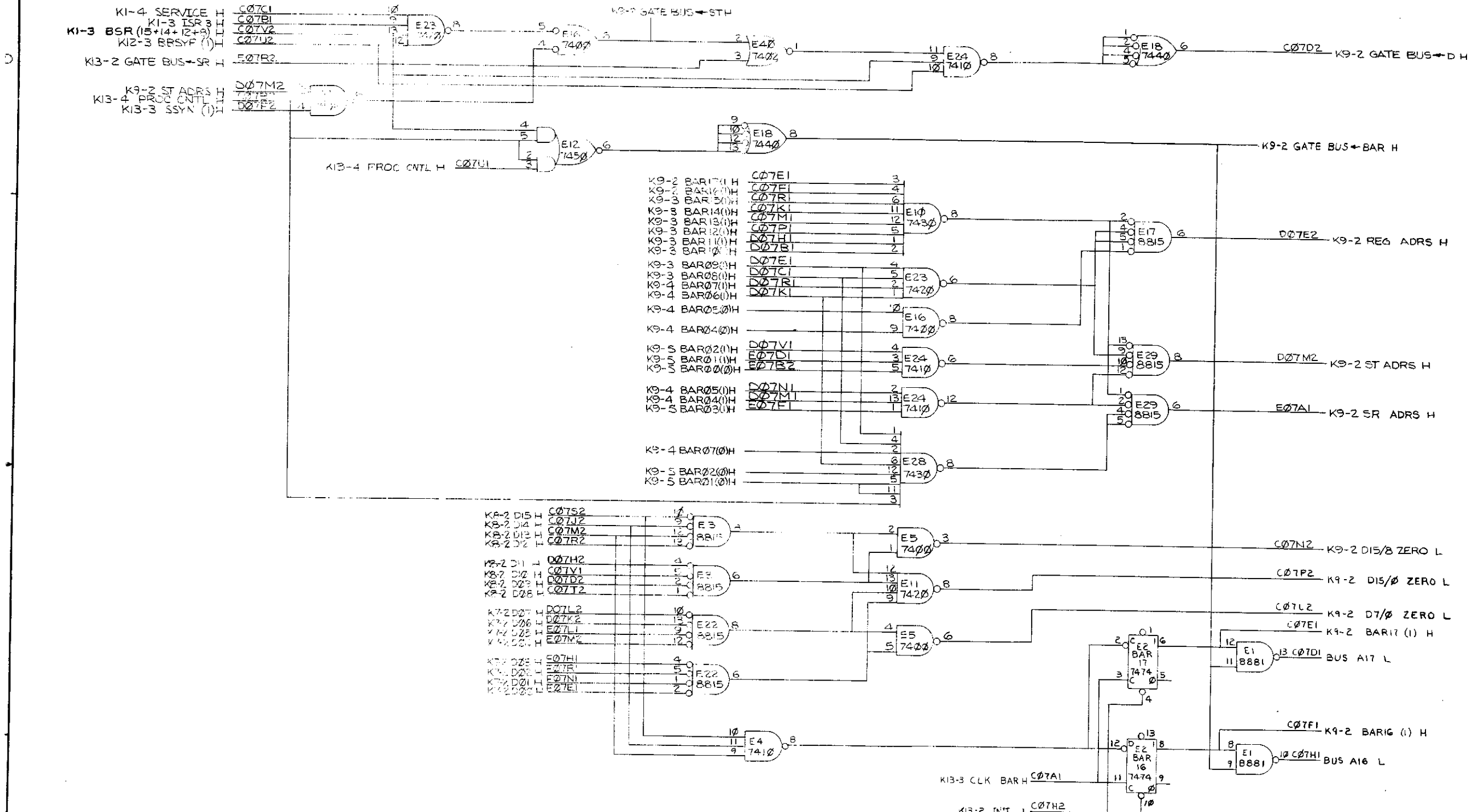


FIRST USED ON OPTION/MODEL PDP 11	QTY.	DESCRIPTION	PART NO.	ITEM NO.
UNLESS OTHERWISE SPECIFIED		DATE	PARTS LIST	
UNLESS OTHERWISE SPECIFIED		DATE	digital EQUIPMENT CORPORATION	
DIMENSION IN INCHES		DATE	MATHARD, MASSACHUSETTS	
TOLERANCES		DATE	TITLE	
DECIMALS	FRACTIONS	ANGLES	BUS INTERFACE & IR	
± .008	± 1/64	± 0°30'	M725 K9-1	
FINAL SURFACE QUALITY		DATE	SIZE CODE NUMBER	
REMOVE BURRS AND BREAK SHARP CORNERS		DATE	D/CS M725-Φ-1	
MATERIAL	NEXT HIGHER ASSY	DATE	REV. B	
FINISH	A-ML-KAI1-Φ	DATE	SHEET OF 5	
SCALE		DATE	ETCH REV. B	
SHEET OF 5		DATE	DIST.	

EXTENSIONS	REV. B
CHANGE NO.	5-28-70
DATE	
BY	
CHECKED	
APPROVED	

1 Pink Blue

This drawing and specifications, herein, are the property of Digital Equipment Corporation and shall not be reproduced or copied in whole or in part as the basis for the manufacture or sale of items without written permission.



REV	NO.

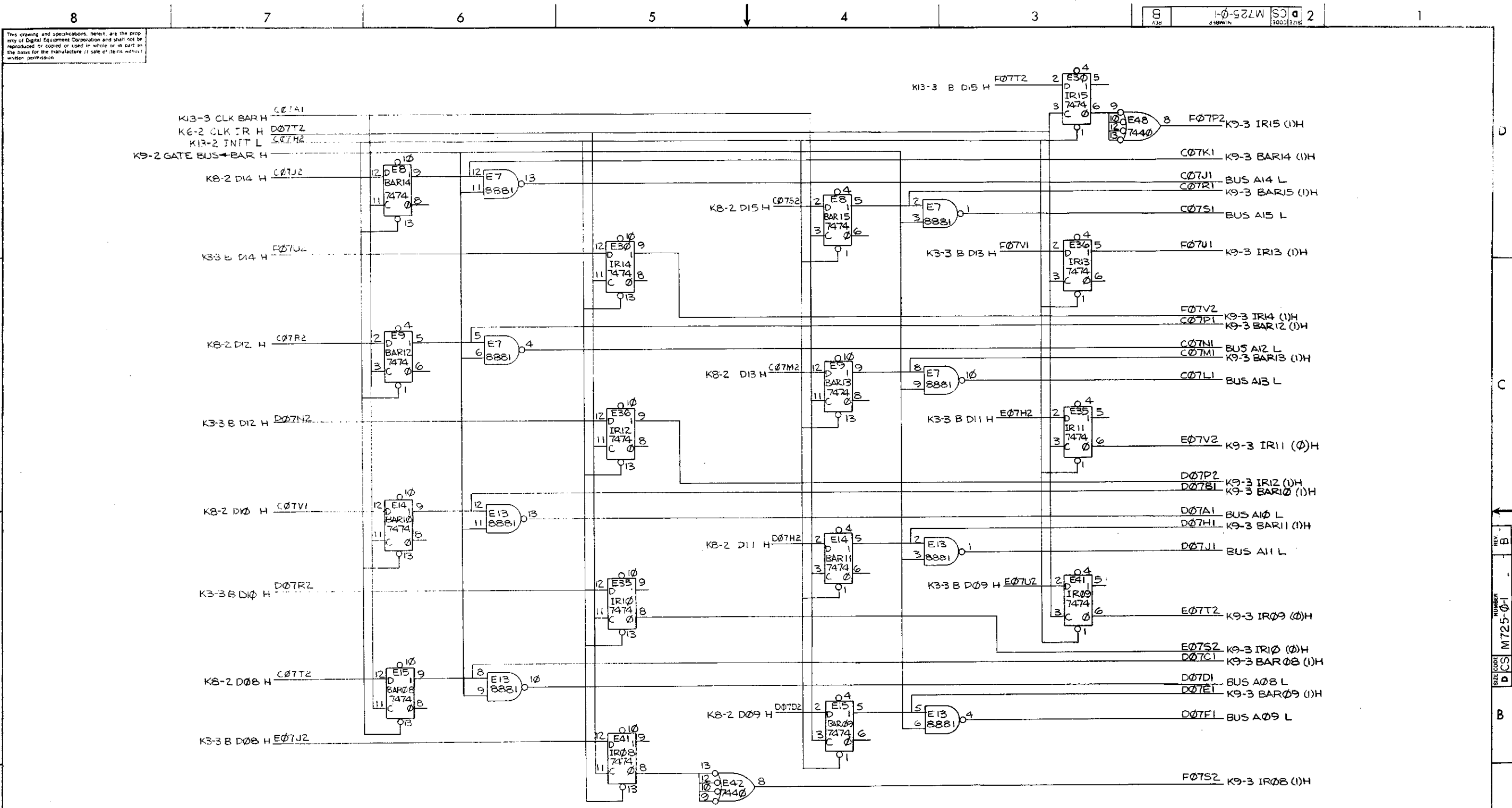
FIRST USED ON OPTION/MODEL PDP11		QTY.	DESCRIPTION	PART NO.	ITEM NO.
UNLESS OTHERWISE SPECIFIED		PARTS LIST			
UNLESS OTHERWISE SPECIFIED		DRN <i>R. D. ...</i>	DATE <i>1/19/70</i>	digital EQUIPMENT CORPORATION MAYNARD, MASSACHUSETTS	
UNLESS OTHERWISE SPECIFIED		CHKD <i>A. ...</i>	DATE <i>3/18/70</i>	TITLE BUS INTERFACE & IR	
TOLERANCES		ENG. <i>A. ...</i>	DATE <i>3-5-70</i>	M725 K9-2	
DECIMALS FRACTIONS ANGLES		PRD. ENG. <i>A. ...</i>	DATE <i>3-5-70</i>	SIZE CODE NUMBER DCS M725-0-1	
±.005 ±.001 ±.0005		PROD.	DATE	SHEET 2 OF 5	
FINAL SURFACE QUALITY REMOVE BURRS AND BREAK SHARP CORNERS		SCALE NONE			
MATERIAL	+	NEXT HIGHER ASSY A-ML-KA11-0			
FINISH	+	DIST.			

REV. NO. B
NUMBER
DCS M725-0-1

B

A

This drawing and specifications herein are the property of Digital Equipment Corporation and shall not be reproduced or copied or used in whole or in part as the basis for the manufacture or sale of items without written permission.



REV	
CHK	
REVISIONS	CHANGE NO.

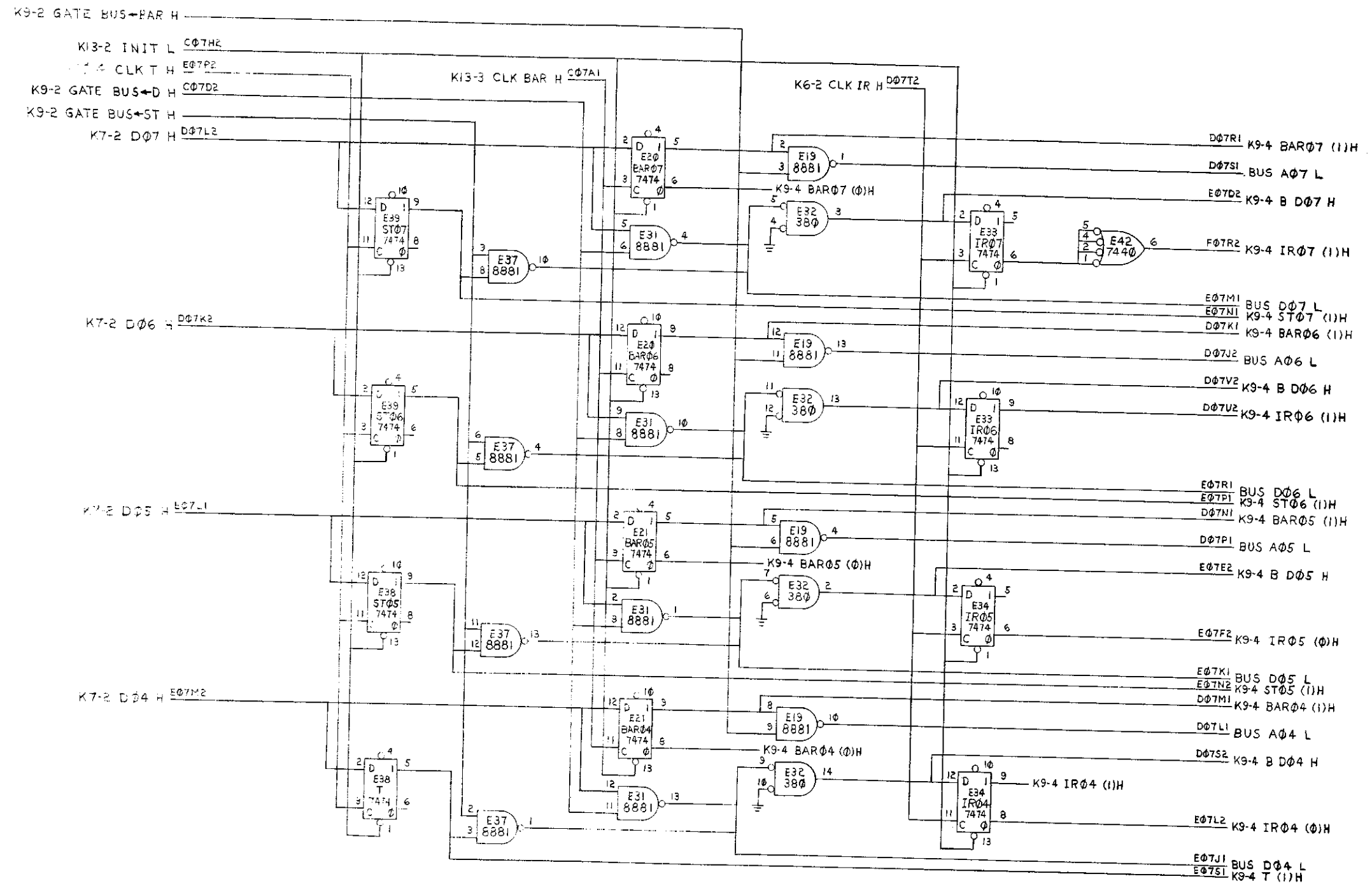
FIRST USED ON OPTION/MODEL	QTY.	DESCRIPTION	PART NO.	ITEM NO.
PDP11				
PARTS LIST				
UNLESS OTHERWISE SPECIFIED	DRN. <i>K. J. [unclear]</i>	DATE 12-29-68	digital EQUIPMENT CORPORATION	
UNLESS OTHERWISE SPECIFIED	CHK'D. <i>[unclear]</i>	DATE 3/12/70	TITLE BUS INTERFACE & IR	
DIMENSION IN INCHES	ENG. <i>[unclear]</i>	DATE 3-5-70	M725 K9-3	
TOLERANCES	PROL. ENG. <i>[unclear]</i>	DATE 3-5-70	NUMBER D/CS M725-0-1	
DECIMALS FRACTIONS ANGLES	PROD. <i>[unclear]</i>	DATE	REV 5	
± .005 ± .001 ± .030			SHEET 3 OF 5	
FINAL SURFACE QUALITY			DIST.	
REMOVE BURRS AND BREAK SHARP CORNERS				
MATERIAL	NEXT HIGHER ASSY	SCALE NONE		
	A-ML-KA11-0	SHEET 3 OF 5		
FINISH		DIST.		

REV. B
NUMBER M725-0-1
SIZE CODE D/CS

Print Blue

This drawing and specifications, herein, are the property of Digital Equipment Corporation and shall not be reproduced or copied or used in whole or in part as the basis for the manufacture or sale of items without written permission.

1-0-522W SC 2
 838MCM 3000 3215

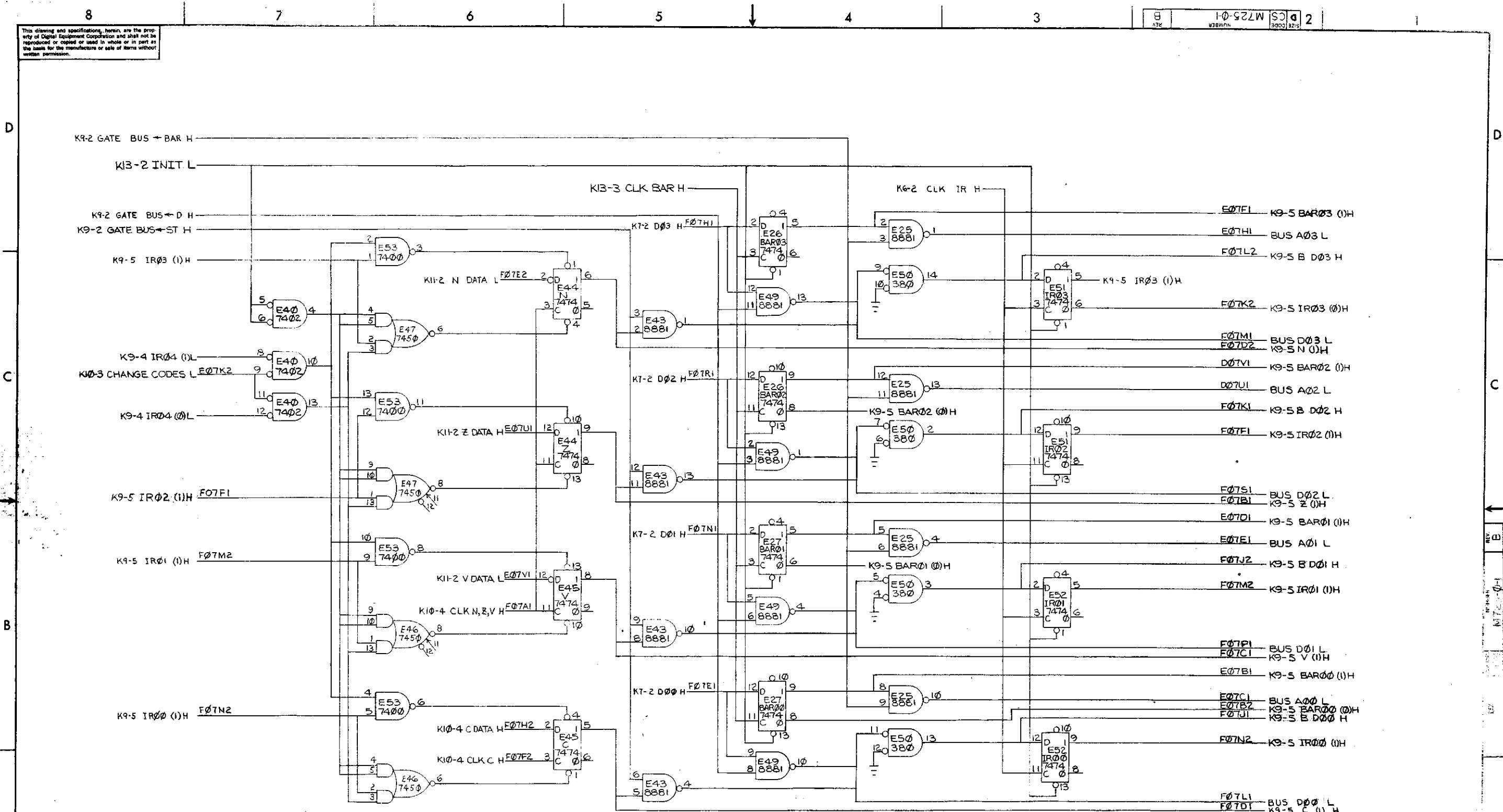


REV.	
CHANGE NO.	
CHK	

FIRST USED ON OPTION/MODEL	QTY.	DESCRIPTION	PART NO.	ITEM NO.
PDP 11				
UNLESS OTHERWISE SPECIFIED				
DRN	DATE	PARTS LIST		
CHK'D	DATE	digital EQUIPMENT CORPORATION MAYNARD MASSACHUSETTS		
ENG.	DATE	TITLE		
PROJ. ENG.	DATE	BUS INTERFACE & IR		
PROD.	DATE	M725 K9-4		
MATERIAL	NEXT HIGHER ASSY	SCALE	NUMBER	REV.
	A-ML-KA11-0	NONE	DICS M725-0-1	B
FINISH	SCALE	SHEET	DIST.	
	NONE	4 OF 5		

1 Park B. line

This drawing and specifications herein are the property of Digital Equipment Corporation and shall not be reproduced or copied in whole or in part without the written permission of Digital Equipment Corporation.



REV	NO.
CHK	

FIRST USED ON OPTION/MODEL		QTY.	DESCRIPTION	PART NO.	REV. NO.
PDP 11					
UNLESS OTHERWISE SPECIFIED		DRN	DATE	PARTS LIST	
UNLESS OTHERWISE SPECIFIED		<i>W. Phillips</i>	12-5-69	digital EQUIPMENT CORPORATION	
DIMENSION IN INCHES		DATE	3/19/70	MAYNARD, MASSACHUSETTS	
TOLERANCES		ENG.	DATE	TITLE	
DECIMALS FRACTIONS ANGLES		<i>W. Phillips</i>	3-6-70	BUS INTERFACE & IR	
= .005 = 1/200 = 0°00'		PRD. ENG.	DATE	M725	
FINAL SURFACE QUALITY		<i>W. Phillips</i>	3-6-70	K9-5	
REMOVE BURRS AND BREAK SHARP CORNERS		PROD.	DATE	A-ML-K11-0	
MATERIAL				SIZE CODE NUMBER	
NEXT HIGHER ASSY				D/CS M725-0-1	
FINISH				SCALE NONE	
				SHEET 5 OF 5	
				DIST.	

DEC FORM NO. 102A

1 Pink Blue

This drawing and specifications, herein, are the property of Digital Equipment Corporation and shall not be reproduced or copied or used in whole or in part as the basis for the manufacture or sale of items without written permission.

PARTS REFERENCE

ITEM NO	DRAWING REFERENCE	DESCRIPTION	PART NUMBER	QUANTITY
1	E1,E7,E18,E27,E45,E54	8231B	C 19 05594	6
2	E2,E5,E6,E8,E16,E17,E20,E21,E24,E37,E38 E40,E44,E49,E52,E59	DEC 7400N	C 19 05575	16
3	E3,E4,E11,E14,E15,E22,E25,E34,E41,E43 E46,E47,E50,E51	DEC 7402N	C 19 00004	12
4	E9,E10,E26,E57		C 19 05578	4
5	E12,E29,E30,E36,E53,E58	DEC 7420N	C 19 05580	6
6	E13,E32,E55,E60	DEC 7420N	C 19 05577	4
7	E19,E31,E33,E48,E56	DEC 7410N	C 19 05576	5
8	E23,E39	DEC 7453N	C 19 05582	2
9	E28,E42,E61	DEC 8815A	C 19 09713	3
10	E35	DEC 7460N	C 19 05581	1
11	C1-C33,C35-C61	01 MFD, 100V, 20%	CAP. 10 01610	60
12	C62-C64,C34	5.8MFD, 35V, 20%	CAP. 10 00067	4

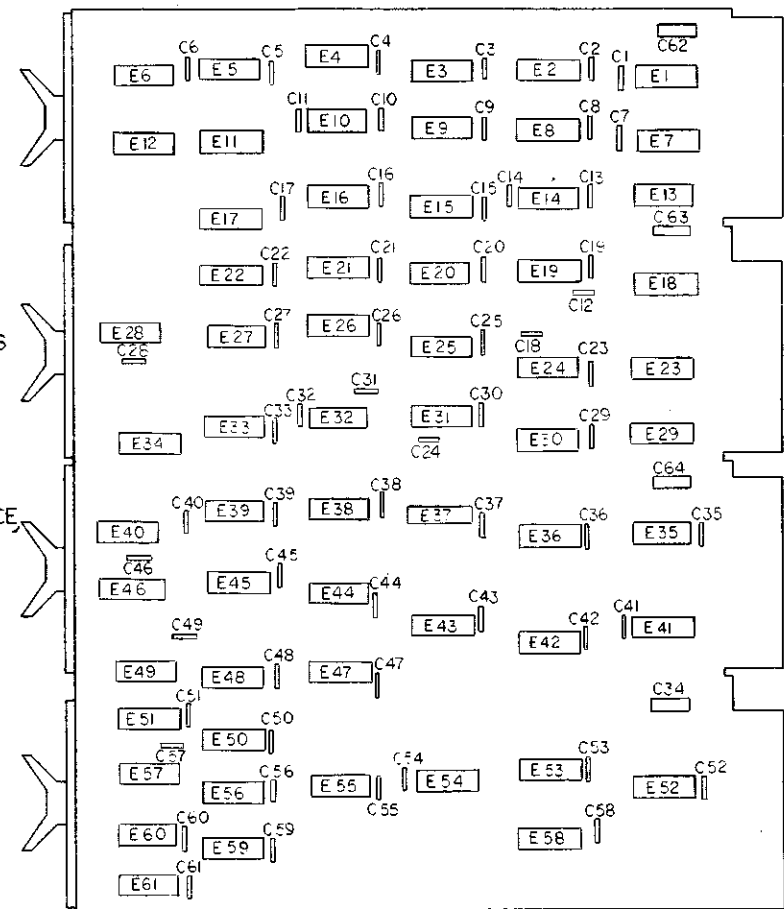
NOTES:

- PIN NOTATION THROUGHOUT IS ORDERED UPON MODULE PLACEMENT IN THE KAI1 PROCESSOR. MODULE REFERENCE ALONE IS OBTAINED BY DELETING THE NUMBER (SLOT LOCATION) AFTER THE FIRST LETTER, AND CONVERTING THE FIRST LETTER ACCORDING TO THE PIN NOMENCLATURE CHART AT RIGHT.
- ALL SIGNALS THAT HAVE MODULE PINS ARE SO NOTED; MULTIPLE NOTATIONS OF THE SAME SIGNALS WITHIN A MODULE HAVE THE PIN NOTED ON EACH. AN INPUT SIGNAL IS NOTED ONLY ONCE PER SHEET UNLESS SEPERATE PINS ARE USED; MULTIPLE INPUTS ARE CONNECTED. MODULE OUTPUT SIGNALS ARE BROUGHT TO THE EXTREME RIGHT OF EACH SHEET.
- PROCESSOR SIGNAL SOURCE NOTATION (K10-2, FOR EXAMPLE) IDENTIFIES THE SIGNAL SOURCE (PRINT AND MODULE). THE FIRST NUMBER AFTER THE K INDICATES THE MODULE PRINT SET, WHILE THE SECOND INDICATES THE SHEET WITHIN THE SET. IF ON A PRINT, THE FIRST NUMBER OF THE K PREFIXES COINCIDE FOR A SIGNAL NAME AND THE PRINT (SEE TITLE BLOCK), THE SIGNAL IS GENERATED ON THE MODULE. A DIFFERENCE IN THE FIRST NUMBER OF THE K PREFIXES INDICATES A SIGNAL GENERATED OFF THE MODULE. SIGNALS WITH A "BUS" PREFIX REPRESENT A "WIRED OR" SITUATION, AND MULTIPLE SOURCES FOR THE SIGNAL CAN EXIST.
- DETAILS ON COMPONENTS ARE NOTED IN THE PARTS REFERENCE. PLACEMENT IS NOTED IN THE COMPONENT PLACEMENT DIAGRAM.
- GND AND +5V ARE USUALLY PIN 7 AND PIN 14, RESPECTIVELY. EXCEPTIONS ARE:

IC TYPE	GND	+5V
DEC 7481	PIN 10	PIN 4
DEC 7482	PIN 11	PIN 4
8251	PIN 8	PIN 16
DEC 8271	PIN 8	PIN 16
DEC 380	PIN 1	PIN 8
DEC 384	PIN 1	PIN 8

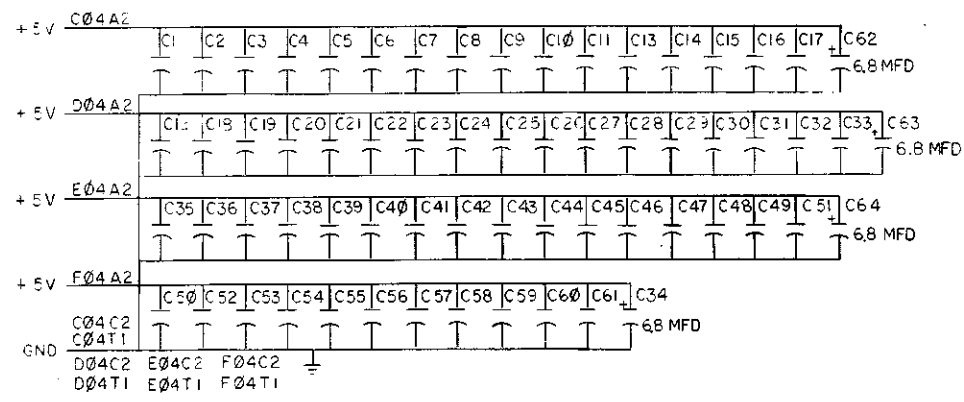
6. UNLESS OTHERWISE NOTED: RESISTANCE IS IN OHMS; CAPACITANCE IS IN PICOFARADS. CAPACITORS WITHOUT ANY NOTED VALUES ARE .01MFD

COMPONENT PLACEMENT



PIN NOMENCLATURE

MODULE	PROCESSOR
A	C
B	D
C	E
D	F

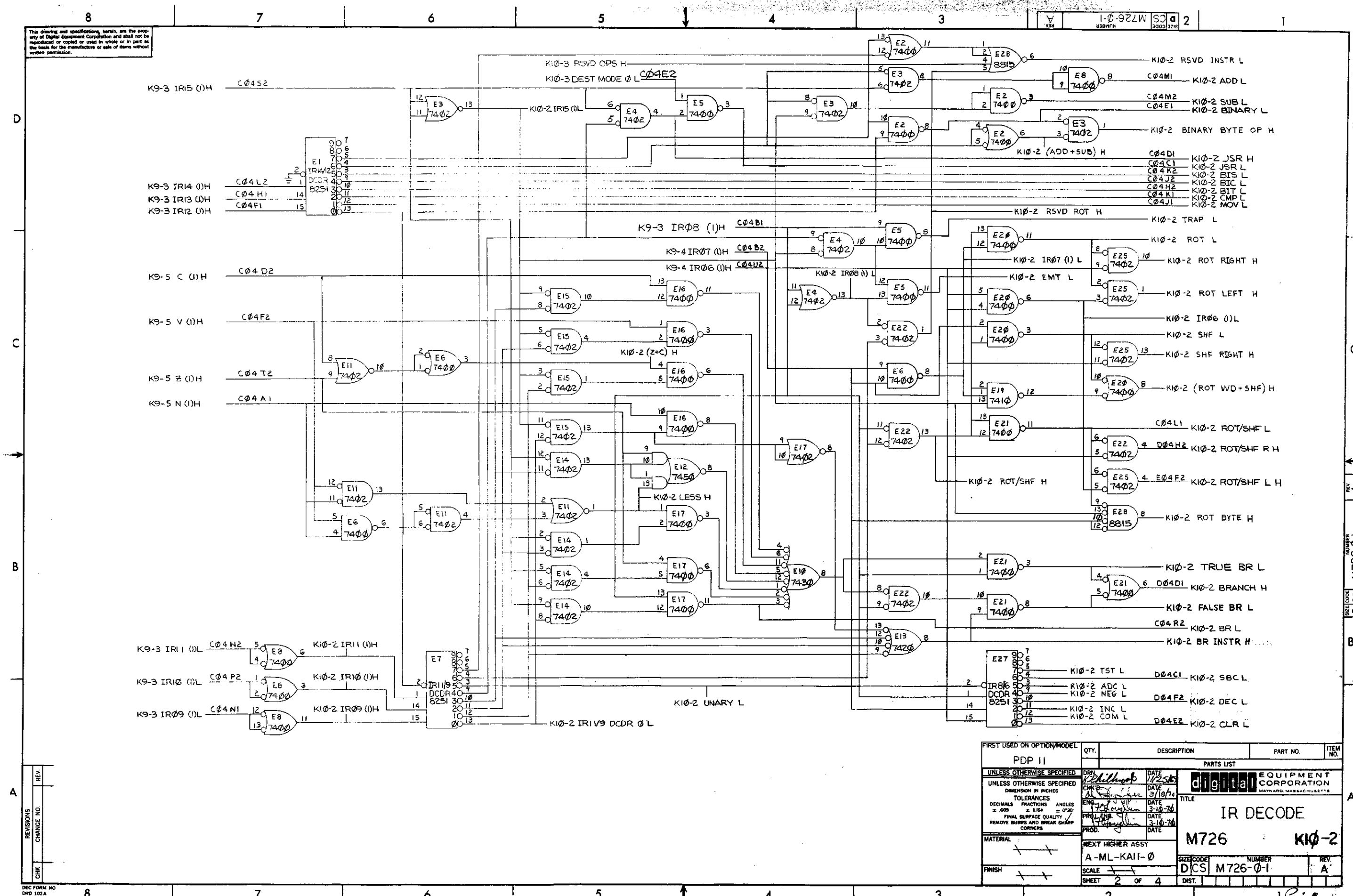


REV	CHANGE NO

FIRST USED ON OPTION / MODEL PDP 11	QTY.	DESCRIPTION	PART NO.	ITEM NO.
PARTS LIST				
UNLESS OTHERWISE SPECIFIED	DRN	DATE	digital EQUIPMENT CORPORATION MAYNARD, MASSACHUSETTS	
UNLESS OTHERWISE SPECIFIED	CHK'D	DATE	TITLE	
DIMENSION IN INCHES	ENG	DATE	IR DECODE	
TOLERANCES	PROL ENG	DATE	M726 KI0-1	
DECIMALS FRACTIONS ANGLES	PROD.	DATE	MATERIAL	
= .005 = 1/64 = 0.007			NEXT HIGHER ASSY	
FINAL SURFACE QUALITY			A-ML-KAI1-0	
REMOVE BURRS AND BREAK SHARP CORNERS			FINISH	
			SCALE	
			SHEET 1 OF 4	
			ETCH REV B	
			DISTR.	

REV A
NUMBER
D C S I M726-0-1
B

This drawing and specifications herein are the property of Digital Equipment Corporation and shall not be reproduced or copied in whole or in part as the basis for the manufacture or sale of items without written permission.

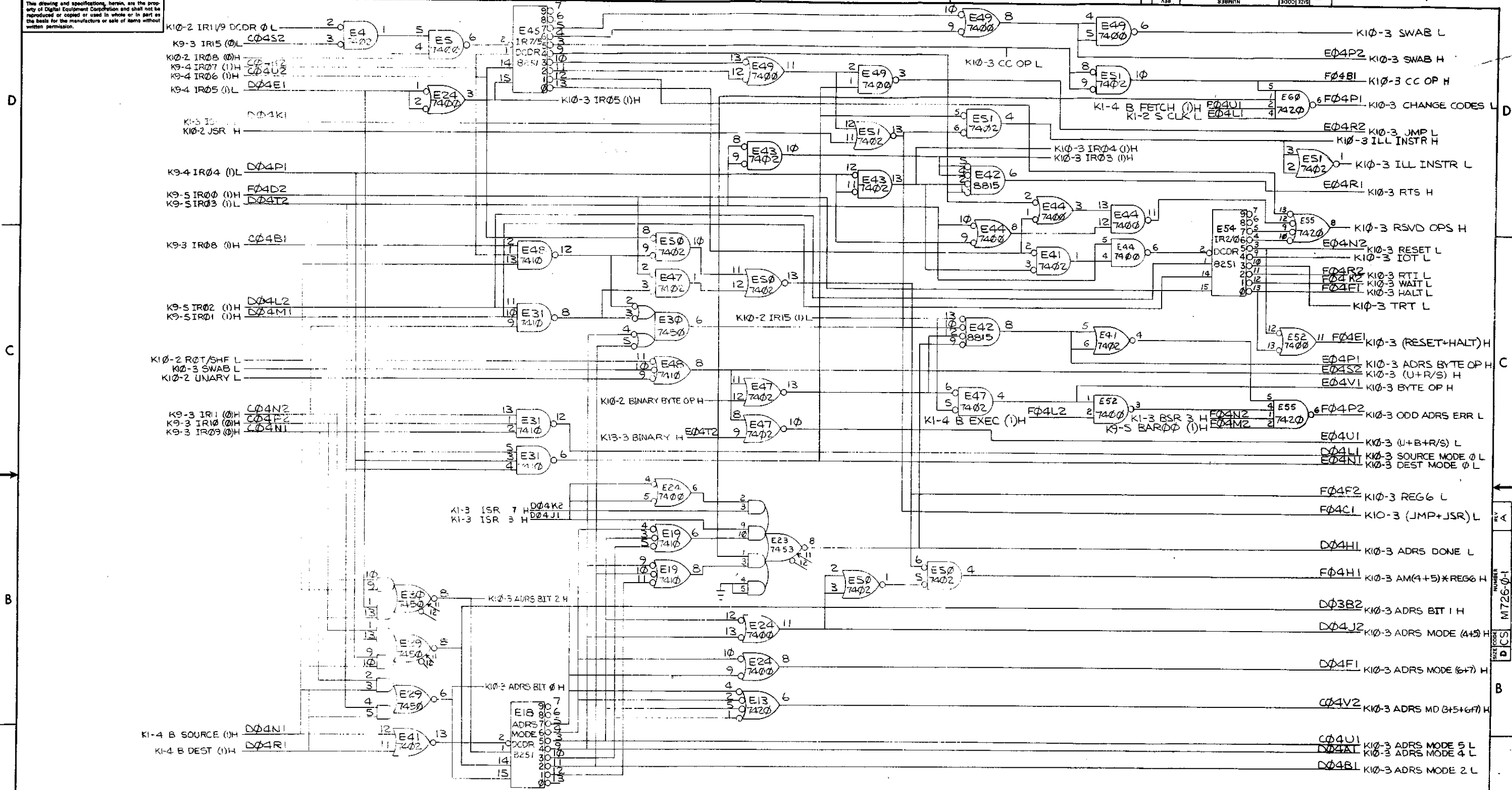


REV.	CHANGE NO.

FIRST USED ON OPTION/MODEL	QTY.	DESCRIPTION	PART NO.	ITEM NO.
PDP 11				
UNLESS OTHERWISE SPECIFIED	PARTS LIST			
DRAWN: <i>[Signature]</i> DATE: 11/25/70	digital EQUIPMENT CORPORATION MAYNARD, MASSACHUSETTS			
CHECKED: <i>[Signature]</i> DATE: 3/10/71				
ENG: <i>[Signature]</i> DATE: 3-10-70				
PROD. DATE: 3-10-70				
MATERIAL: + +		NEXT HIGHER ASSY: A-ML-KA11-0		TITLE: IR DECODE
FINISH: + +		SCALE: 2 OF 4		NUMBER: M726-01
SHEET: 2 OF 4		DST.		REV. A

This drawing and specifications, herein, are the property of Digital Equipment Corporation and shall not be reproduced or copied or used in whole or in part as the basis for the manufacture or sale of items without written permission.

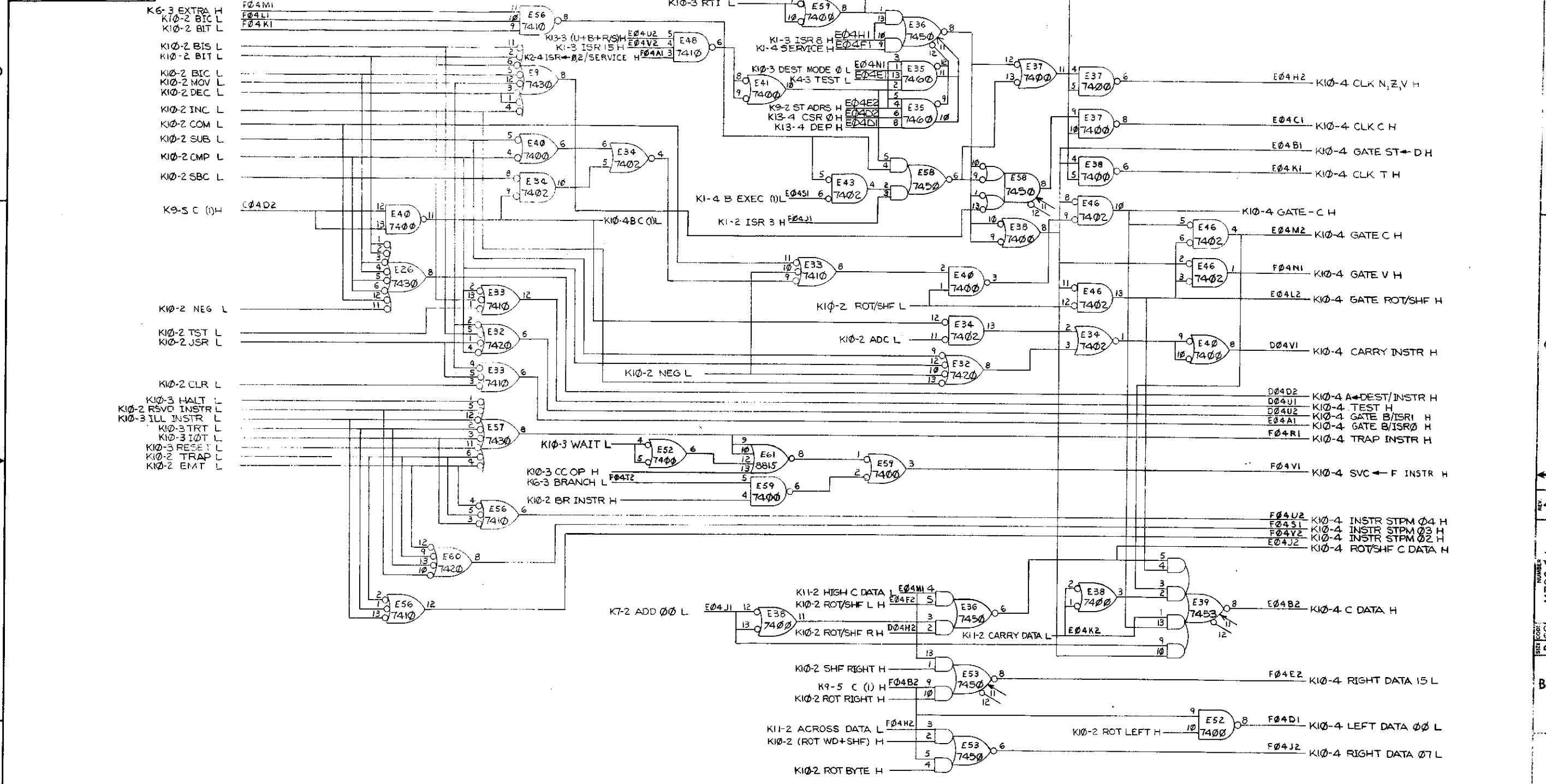
1-0-922W 50 2



REV	
CHANGE NO.	
CHK	

FIRST USED ON OPTION/MODEL PDP 11	QTY.	DESCRIPTION	PART NO.	ITEM NO.
UNLESS OTHERWISE SPECIFIED	PARTS LIST			
UNLESS OTHERWISE SPECIFIED	DRN K. Phillips	DATE 1/1/70	digital EQUIPMENT CORPORATION MAYNARD MASSACHUSETTS	
DIMENSION IN INCHES	CHK'D C. J. ...	DATE 3/18/70	TITLE IR DECODE	
TOLERANCES	ENG. ...	DATE 3-6-70	M726 K10-3	
DECIMALS FRACTIONS ANGLES	PROL. ENG. ...	DATE 3-6-70	MATERIAL NEXT HIGHER ASSY A-ML-K11-0	
± .005 ± 1/64 ± 0°30'	PRD. ...	DATE	SCALE NONE	
FINAL SURFACE QUALITY REMOVE BURRS AND BREAK SHARP CORNERS			SHEET 3 OF 4	
			SIZE CODE NUMBER REV. DCS M726-01 A	

This drawing and specifications, herein, are the property of Digital Equipment Corporation and shall not be reproduced or copied or used in whole or in part as the basis for the manufacture or sale of items without written permission.



REV.	CHG.	NO.

DEC FORM NO. DRD 1024

FIRST USED ON OPTION/MODEL PDP 11	QTY.	DESCRIPTION	PART NO.
PARTS LIST			
UNLESS OTHERWISE SPECIFIED: DIMENSION IN INCHES TOLERANCES DECIMALS FRACTIONS ANGLES = .005 = 1/64 = 0°30' REMOVE BURRS AND BREAK SHARP CORNERS	DATE 7/2/70	DATE 3/18/70	DATE 3-6-70
MATERIAL	NEXT HIGHER ASSY	TITLE	
FINISH	A-M: K11-0	IR DECODE	
SCALE NONE		SIZE CODE	NUMBER
SHEET 4 OF 4		DCS	M726-0-1
DST.		REV.	A

REV. A
 NUMBER M726-0-1
 SIZE CODE DCS

B

A

1,2,3,4

This drawing and specifications herein are the property of Digital Equipment Corporation and shall not be reproduced or copied or used in whole or in part in any form for the manufacture or sale of items without written permission.

PARTS REFERENCE

ITEM NO.	DRAWING REFERENCE	DESCRIPTION	PART NUMBER	QUANTITY
1	E1,E2	DEC 7450N	IC 19 05582	2
2	E3,E7,E8	DEC 7450N	IC 19 05580	3
3	E4,E5	DEC 7460N	IC 19 05581	2
4	E6	DEC 7402N	IC 19 09004	1
5	E9	DEC 8815A	IC 19 09713	1
6	E10	DEC 7400N	IC 19 05575	1
7	C1-C10		CAP 10 01E10	10
8	C11	6.8MFD, 35V, 20%	CAP 10 00067	1

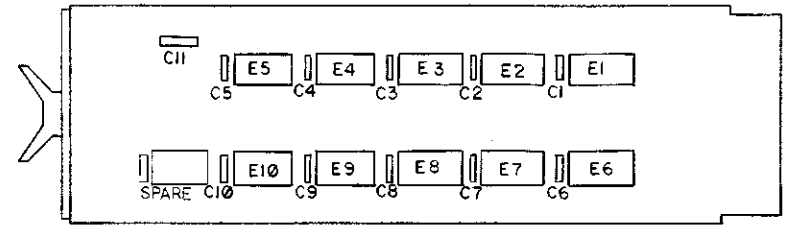
NOTES:

- PIN NOTATION THROUGHOUT IS ORDERED UPON MODULE PLACEMENT IN THE K11 PROCESSOR. MODULE REFERENCE ALONE IS OBTAINED BY DELETING THE NUMBER (SLOT LOCATION) AFTER THE FIRST LETTER, AND CONVERTING THE FIRST LETTER ACCORDING TO THE PIN NOMENCLATURE CHART AT RIGHT.
- ALL SIGNALS THAT HAVE MODULE PINS ARE SO NOTED; MULTIPLE NOTATIONS OF THE SAME SIGNALS WITHIN A MODULE HAVE THE PIN NOTED ON EACH. AN INPUT SIGNAL IS NOTED ONLY ONCE PER SHEET UNLESS SEPERATE PINS ARE USED; MULTIPLE INPUTS ARE CONNECTED. MODULE OUTPUT SIGNALS ARE BROUGHT TO THE EXTREME RIGHT OF EACH SHEET.
- PROCESSOR SIGNAL SOURCE NOTATION (K10-2, FOR EXAMPLE) IDENTIFIES THE SIGNAL SOURCE (PRINT AND MODULE). THE FIRST NUMBER AFTER THE K INDICATES THE MODULE PRINT SET, WHILE THE SECOND INDICATES THE SHEET WITHIN THE SET. IF ON A PRINT, THE FIRST NUMBER OF THE K PREFIXES COINCIDE FOR A SIGNAL NAME AND THE PRINT (SEE TITLE BLOCK), THE SIGNAL IS GENERATED ON THE MODULE. A DIFFERENCE IN THE FIRST NUMBER OF THE K PREFIXES INDICATES A SIGNAL GENERATED OFF THE MODULE. SIGNALS WITH A "BUS" PREFIX REPRESENT A "WIRED OR" SITUATION, AND MULTIPLE SOURCES FOR THE SIGNAL CAN EXIST.
- DETAILS ON COMPONENTS ARE NOTED IN THE PARTS REFERENCE, PLACEMENT IS NOTED IN THE COMPONENT PLACEMENT DIAGRAM.
- GND AND +5V ARE USUALLY PIN 7 AND PIN 14, RESPECTIVELY. EXCEPTIONS ARE:

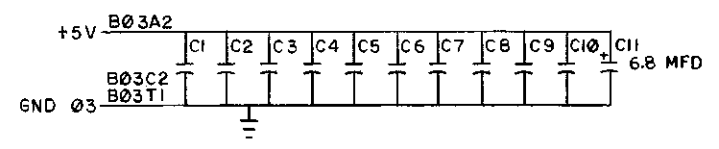
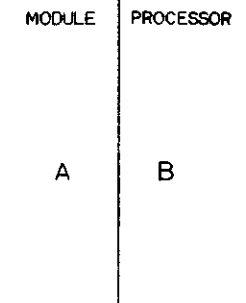
IC TYPE	GND	+5V
DEC 7481	PIN 10	PIN 4
DEC 7482	PIN 11	PIN 4
DEC 8251	PIN 8	PIN 16
DEC 8271	PIN 8	PIN 16
DEC 380	PIN 1	PIN 8
DEC 384	PIN 1	PIN 8

6 UNLESS OTHERWISE NOTED: RESISTANCE IS IN OHMS; CAPACITANCE IS IN PICO FARADS. CAPACITORS WITHOUT ANY NOTED VALUES ARE .01 MFD.

COMPONENT PLACEMENT



PIN NOMENCLATURE

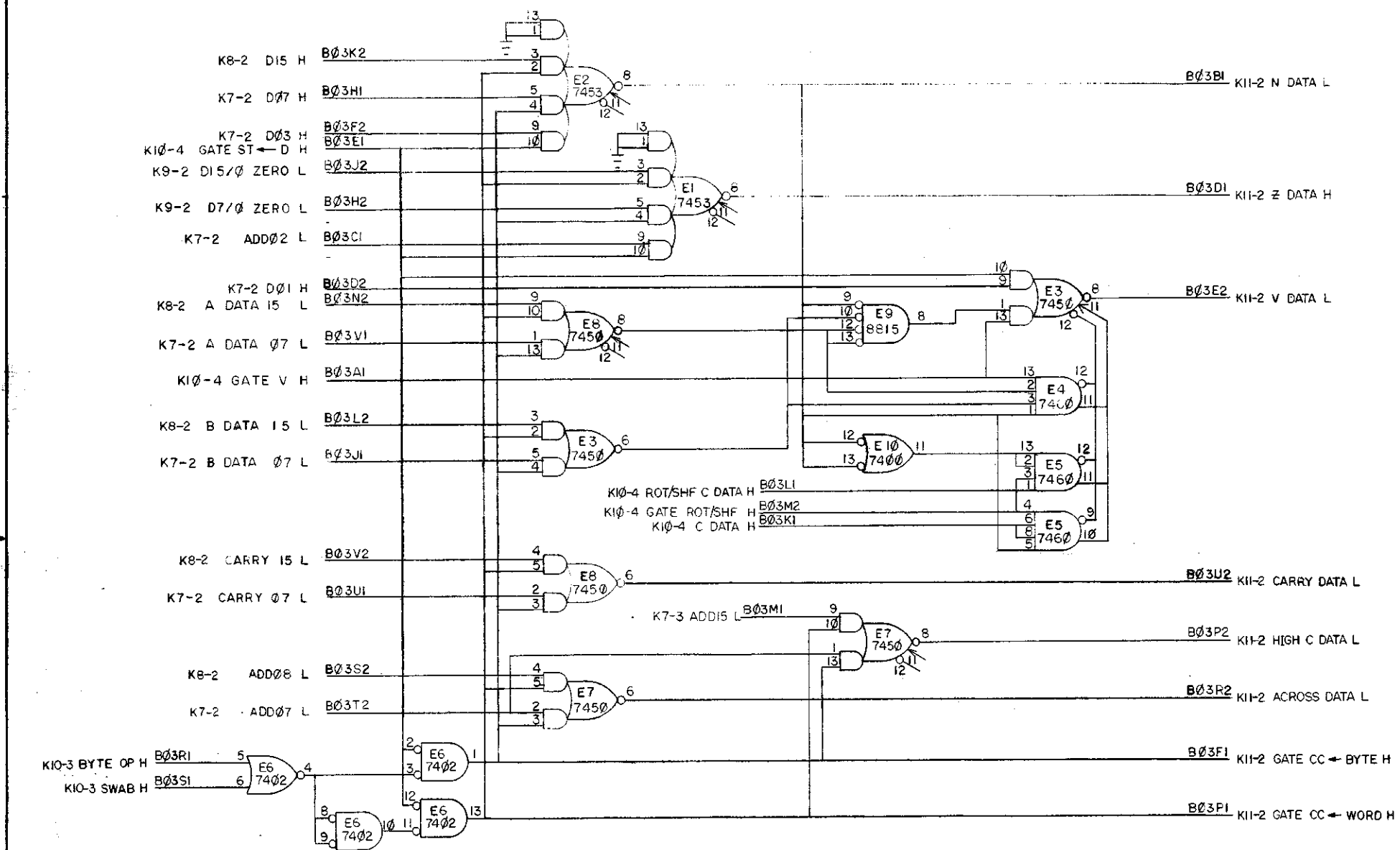


REV	CHG	NO.

FIRST USED ON OPTION/MODEL PDP 11	QTY.	DESCRIPTION	PART NO.	ITEM NO.
PARTS LIST				
UNLESS OTHERWISE SPECIFIED	DRN	DATE	DIGITAL EQUIPMENT CORPORATION MAYNARD, MASSACHUSETTS	
DIMENSION IN INCHES	CHK'D	DATE	TITLE	
TOLERANCES	ENG	DATE	CODES DATA	
DECIMALS FRACTIONS ANGLES	PRJ. ENG.	DATE	M823 K11-1	
= .000 = 1/64 = 0°30'	PRD	DATE	SIZE CODE NUMBER REV	
FINAL SURFACE QUALITY		DATE	DCS M823-04	
REMOVE BURRS AND BREAK SHARP CORNERS		DATE	ETCH REV A	
MATERIAL	NEXT HIGHER ASSY		SHEET 1 OF 2	
FINISH	A-ML-K11-0		DIST. 344/434/435-3 1 Pink	

REV. NUMBER M823-0-1

This drawing and specifications herein are the property of Digital Equipment Corporation and shall not be reproduced or copied or used in whole or in part as they stand for the manufacture or sale of items without written permission.



REV.	
CHG	
NO.	

FIRST USED ON OPTION/MODEL PDP 11	QTY.	DESCRIPTION	PART NO.	ITEM NO.
PARTS LIST				
UNLESS OTHERWISE SPECIFIED	DRN.	DATE	digital EQUIPMENT CORPORATION MAYNARD, MASSACHUSETTS	
UNLESS OTHERWISE SPECIFIED	CHK'D	DATE	TITLE	
DIMENSIONS IN INCHES	ENG.	DATE	CODES DATA	
TOLERANCES	FIN.	DATE	REV.	
DECIMALS FRACTIONS ANGLES	REV.	DATE	REV.	
± .005 ± 1/64 ± .0007	REV.	DATE	REV.	
FINAL SURFACE QUALITY	REV.	DATE	REV.	
REMOVE BURRS AND BREAK SHARP CORNERS	REV.	DATE	REV.	
MATERIAL	NEXT HIGHER ASSEMBLY			
FINISH	SCALE NONE			
	SHEET 2 OF 2			
	DIST.			

REV. 1
NO. 1
CS M823-01

This drawing and specifications herein are the property of Digital Equipment Corporation and shall not be reproduced or copied or used in whole or in part as the basis for the manufacture of any of these without written permission.

PARTS REFERENCE

ITEM NO.	DRAWING REFERENCE	DESCRIPTION	PART NUMBER	QUANTITY
1	E3, E11, E19, E22, E27	DEC 7402N I.C.	1909004	5
2	E4, E23, E26	DEC 7450N I.C.	1905580	3
3	E5, E10	DEC 7453N I.C.	1905582	2
4	E6	DEC 8815A I.C.	1909713	1
5	E7, E15, E29, E20	DEC 74H74N I.C.	1909667	4
6	E8, E18, E21, E28	DEC 74H74N I.C.	1909667	4
7	E9	DEC 381 I.C.	1909705	1
8	E13	DEC 74H30N I.C.	1909009	1
9	E14, E24	DEC 7410N I.C.	1905576	2
10	E16	DEC 74H00N I.C.	1909006	2
11	E25	DEC 7460N I.C.	1905581	1
12	E30	DEC 7420N I.C.	1905577	1
13	C1-C26	.01 MFD, 100V, 20% CAP.	1001610	26
14	C27-C28	6.8 MFD, 35V, 20% CAP.	1000067	2

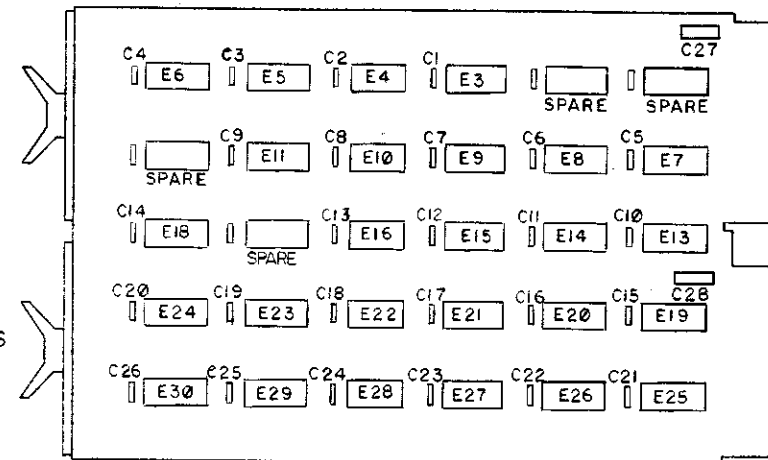
NOTES:

- PIN NOTATION THROUGHOUT IS ORDERED UPON MODULE PLACEMENT IN THE KAI1 PROCESSOR. MODULE REFERENCE ALONE IS OBTAINED BY DELETING THE NUMBER (SLOT LOCATION) AFTER THE FIRST LETTER, AND CONVERTING THE FIRST LETTER ACCORDING TO THE PIN NOMENCLATURE CHART AT RIGHT.
- ALL SIGNALS THAT HAVE MODULE PINS ARE SO NOTED; MULTIPLE NOTATIONS OF THE SAME SIGNALS WITHIN A MODULE HAVE THE PIN NOTED ON EACH. AN INPUT SIGNAL IS NOTED ONLY ONCE PER SHEET UNLESS SEPERATE PINS ARE USED; MULTIPLE INPUTS ARE CONNECTED. MODULE OUTPUT SIGNALS ARE BROUGHT TO THE EXTREME RIGHT OF EACH SHEET.
- PROCESSOR SIGNAL SOURCE NOTATION (K10-2, FOR EXAMPLE) IDENTIFIES THE SIGNAL SOURCE (PRINT AND MODULE). THE FIRST NUMBER AFTER THE K INDICATES THE MODULE PRINT SET, WHILE THE SECOND INDICATES THE SHEET WITHIN THE SET. IF ON A PRINT, THE FIRST NUMBER OF THE K PREFIXES COINCIDE FOR A SIGNAL NAME AND THE PRINT (SEE TITLE BLOCK), THE SIGNAL IS GENERATED ON THE MODULE. A DIFFERENCE IN THE FIRST NUMBER OF THE K PREFIXES INDICATES A SIGNAL GENERATED OFF THE MODULE. SIGNALS WITH A "BUS" PREFIX REPRESENT A "WIRED OR" SITUATION, AND MULTIPLE SOURCES FOR THE SIGNAL CAN EXIST.
- DETAILS ON COMPONENTS ARE NOTED IN THE PARTS REFERENCE. PLACEMENT IS NOTED IN THE COMPONENT PLACEMENT DIAGRAM.
- GND AND +5V ARE USUALLY PIN 7 AND PIN 14, RESPECTIVELY. EXCEPTIONS ARE:

IC TYPE	GND	+5V
DEC 7401	PIN 10	PIN 4
DEC 7402	PIN 11	PIN 4
8251	PIN 8	PIN 16
DEC 8271	PIN 8	PIN 16
DEC 380	PIN 1	PIN 8
DEC 384	PIN 1	PIN 8

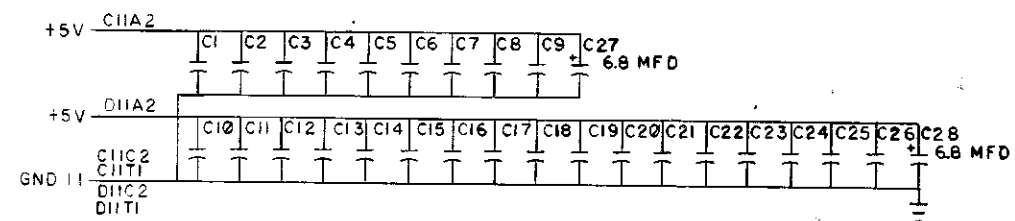
6. UNLESS OTHERWISE NOTED: RESISTANCE IS IN OHMS; CAPACITANCE IS IN PICOFARADS. CAPACITORS WITHOUT ANY NOTED VALUES ARE .01 MFD.

COMPONENT PLACEMENT



PIN NOMENCLATURE

MODULE PROCESSOR

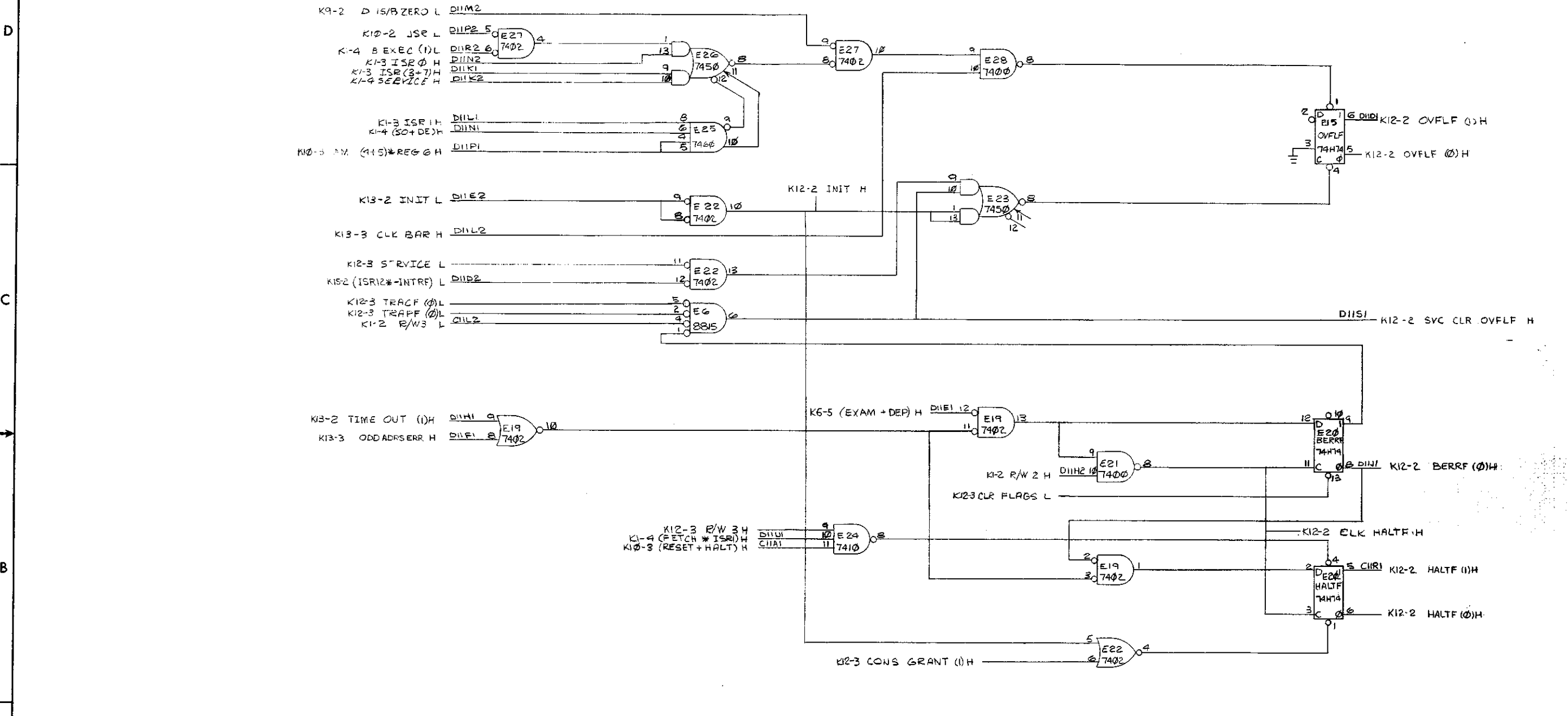


REV	CHANGE NO.	DATE
1	1	3-2-70
2	2	3-6-70

FIRST USED ON OPTION/MODEL PDP 11	QTY.	DESCRIPTION	PART NO.	ITEM NO.
PARTS LIST				
UNLESS OTHERWISE SPECIFIED DIM. <i>1/16</i> DATE <i>5/28/70</i>	DRN <i>1/1/Blane</i>	DATE <i>5/28/70</i>	DIGITAL EQUIPMENT CORPORATION MAYNARD, MASSACHUSETTS	
UNLESS OTHERWISE SPECIFIED DIMENSION IN INCHES TOLERANCES DECIMALS FRACTIONS ANGLES ± .005 ± 1/64 ± 0°30'	CHKD <i>1/1/Blane</i>	DATE <i>3-2-70</i>	TITLE FLAG CNTL	
FINAL SURFACE QUALITY REMOVE BURRS AND BREAK SHARP CORNERS	ENG. <i>1/1/Blane</i>	DATE <i>3-6-70</i>	M822 K12-1	
MATERIAL	PROJ. ENG. <i>1/1/Blane</i>	DATE <i>3-6-70</i>	SIZE/CODE D/CS M822-0-1	
FINISH	PROD.	DATE	REV. <i>B</i>	
NEXT HIGHER ASSY A-ML-KAI1-0			SHEET 1 OF 3	
SCALE			ETCH REV B	
DIST.			10/28/70	

This drawing and specifications herein, are the property of Digital Equipment Corporation and shall not be reproduced or copied or used in whole or in part as the basis for the manufacture or sale of items without written permission.

8 10-228W 100 2

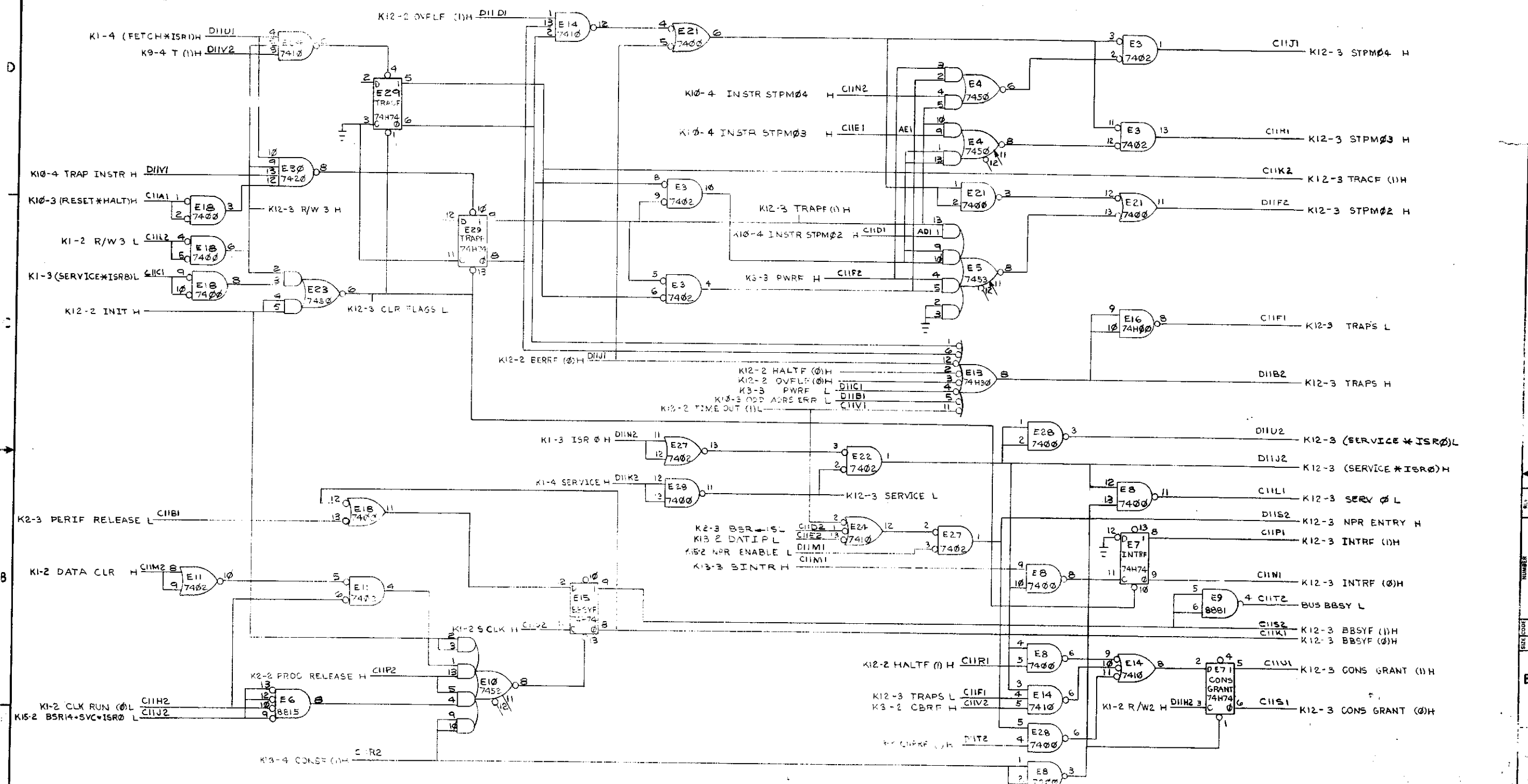


REVISIONS	REV.
CHANGE NO.	
CHK	

FIRST USED ON OPTION/MODEL	QTY.	DESCRIPTION	PART NO.	ITEM NO.
PDP 11				
UNLESS OTHERWISE SPECIFIED				
DATE	DATE	DATE	DATE	DATE
12/16/68	3/18/70	3-6-70		
PARTS LIST				
digital EQUIPMENT CORPORATION				
MATERIAL				
NEXT HIGHER ASSY				
A-M-L-KA11-0				
SCALE NONE				
SHEET 2 OF 3				
TITLE				
FLAG CNTL				
M822 K12-2				
SIZE CODE				
DCS M822-01				
REV.				
B3				

DCS M822-01

This drawing and specifications herein are the property of Digital Equipment Corporation and shall not be reproduced or copied or used in whole or in part as the basis for the manufacture or sale of items without written permission.



REV.	
CHG	
CHK	

FIRST USED ON OPTION/MODEL	QTY.	DESCRIPTION	PART NO.	ITEM NO.
PDP 11				
UNLESS OTHERWISE SPECIFIED				
DRN.		DATE	PARTS LIST	
CHK'D		DATE	digital EQUIPMENT CORPORATION	
ENG.		DATE	MAYNARD MASSCHUSETTS	
FRSE ENG.		DATE	TITLE	
PROD.		DATE	FLAG CNTL	
MATERIAL	++	NEXT HIGHER ASSY	M822	K12-3
FINISH	++	A-ML-KAII-0	SIZE CODE	NUMBER
		SCALE NONE	DCS	M822-0-1
		SHEET 3 OF 3	DIST.	

1022R

This drawing and specifications herein, are the property of Digital Equipment Corporation and shall not be reproduced or copied or used in whole or in part as the basis for the manufacture or sale of items without written permission.

PARTS REFERENCE

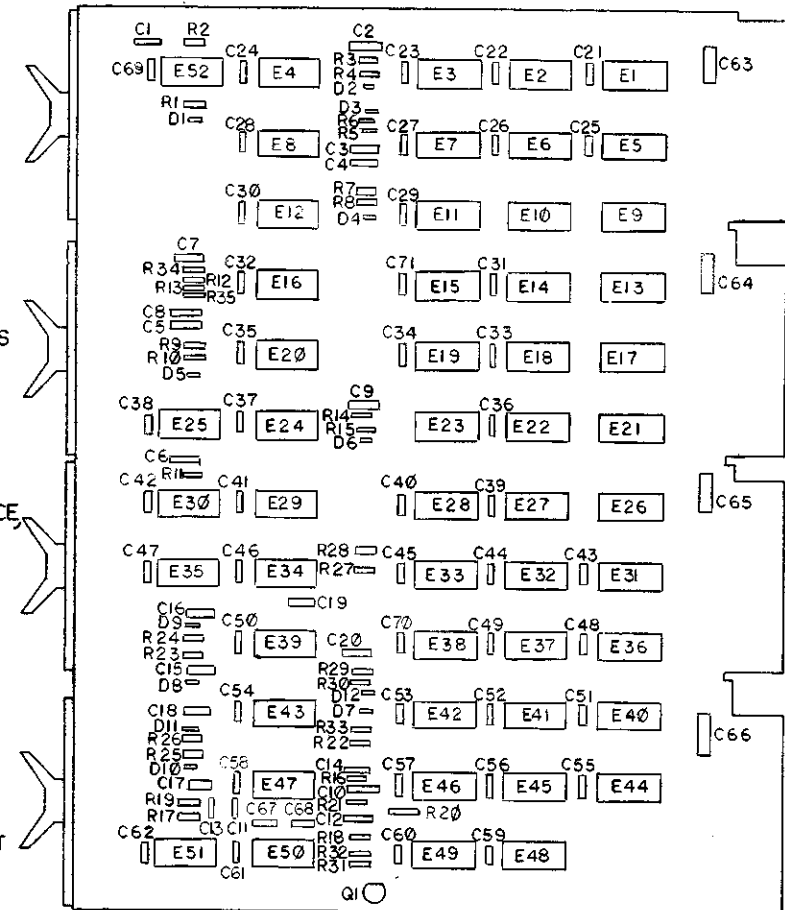
ITEM NO	DRAWING REFERENCE	DESCRIPTION	PART NUMBER	QUANTITY
1	E1,E3,E5,E7,E9,E13,E15,E20,E23,E26,E27,E37	DEC 7400N	I.C. 1905575	14
2	E2,E38,E52	DEC 7410N	I.C. 1905576	3
3	E4,E33	DEC 380	I.C. 1909485	2
4	E6,E41	DEC 7420N	I.C. 1905577	2
5	E8,E45	DEC 8815A	I.C. 1909713	2
6	E10,E14,E21,E24,E28	DEC 7402N	I.C. 1909004	6
7	E12,E18,E22,E29,E40,E46,E48	DEC 7474N	I.C. 1905547	7
8	E15,E44,E49	DEC 8881	I.C. 1905705	3
9	E17,E19,E32	DEC 7450N	I.C. 1905580	3
10	E25,E34,E35,E43,E47,E50,E51	DEC 9601	I.C. 1909487	7
11	E30	DEC 74H40N	I.C. 1905586	1
12	E31	DEC 7440N	I.C. 1905579	1
13	E36	DEC 7453N	I.C. 1905582	1
14	C1-C4,C7,C9,C14,C20	330 MMF, 100V, 5%	CAP. 1000023	8
15	C5,C11,C13,C67	1000 MMF, 100V, 5%	CAP. 1000042	4
16	C6	10 MMF, 100V, 5%	CAP. 1000018	1
17	C8,C10,C12,C68	470 MMF, 100V, 5%	CAP. 1000024	4
18	C15,C16, C19	10 MFD, 35V, 10%	CAP. 100175	3
19	C17	2.2 MFD, 20V, 10%	CAP. 1002627	1
20	C21-C62,C69,C70,C71	.01 MFD, 100V, 20%	CAP. 1001610	45
21	C63-C65,C18	6.8 MFD, 35V	CAP. 1000267	5
22	R1,R4,R6,R8,R10,R15,R30,R33	220, 1/4W, 5%	RES. 1300271	8
23	R2,R3,R5,R7,R9,R14,R22,R29	470, 1/4W, 5%	RES. 1300316	8
24	R11	5600, 1/4W, 5%	RES. 1301874	1
25	R12,R13,R16,R18,R32	1000, 1/4W, 5%	RES. 1300365	5
26	R17,R19,R25,R26	30K, 1/4W, 5%	RES. 1302394	4
27	R20,R21,R34,R35	47, 1/4W, 5%	RES. 1300202	4
28	R23,R24,R27	15K, 1/4W, 5%	RES. 1300496	3
29	R28	10K, 1/4W, 5%	RES. 1300479	1
30	R31	3.9K, 1/4W, 5%	RES. 1300444	1
31	D1-D12	D664 DIODE	100114	12
32	Q1	DEC 3009B TRANSISTOR	1503100	1

NOTES:

- PIN NOTATION THROUGHOUT IS ORDERED UPON MODULE PLACEMENT IN THE KAI1 PROCESSOR. MODULE REFERENCE ALONE IS OBTAINED BY DELETING THE NUMBER (SLOT LOCATION) AFTER THE FIRST LETTER, AND CONVERTING THE FIRST LETTER ACCORDING TO THE PIN NOMENCLATURE CHART AT RIGHT.
- ALL SIGNALS THAT HAVE MODULE PINS ARE SO NOTED; MULTIPLE NOTATIONS OF THE SAME SIGNALS WITHIN A MODULE HAVE THE PIN NOTED ON EACH. AN INPUT SIGNAL IS NOTED ONLY ONCE PER SHEET UNLESS SEPERATE PINS ARE USED; MULTIPLE INPUTS ARE CONNECTED. MODULE OUTPUT SIGNALS ARE BROUGHT TO THE EXTREME RIGHT OF EACH SHEET.
- PROCESSOR SIGNAL SOURCE NOTATION (K10-2, FOR EXAMPLE) IDENTIFIES THE SIGNAL SOURCE (PRINT AND MODULE). THE FIRST NUMBER AFTER THE K INDICATES THE MODULE PRINT SET, WHILE THE SECOND INDICATES THE SHEET WITHIN THE SET. IF ON A PRINT, THE FIRST NUMBER OF THE K PREFIXES COINCIDE FOR A SIGNAL NAME AND THE PRINT (SEE TITLE BLOCK), THE SIGNAL IS GENERATED ON THE MODULE. A DIFFERENCE IN THE FIRST NUMBER OF THE K PREFIXES INDICATES A SIGNAL GENERATED OFF THE MODULE. SIGNALS WITH A "BUS" PREFIX REPRESENT A "WIRED OR" SITUATION, AND MULTIPLE SOURCES FOR THE SIGNAL CAN EXIST.
- DETAILS ON COMPONENTS ARE NOTED IN THE PARTS REFERENCE PLACEMENT IS NOTED IN THE COMPONENT PLACEMENT DIAGRAM.
- GND AND +5V ARE USUALLY PIN 7 AND PIN 14, RESPECTIVELY. EXCEPTIONS ARE:

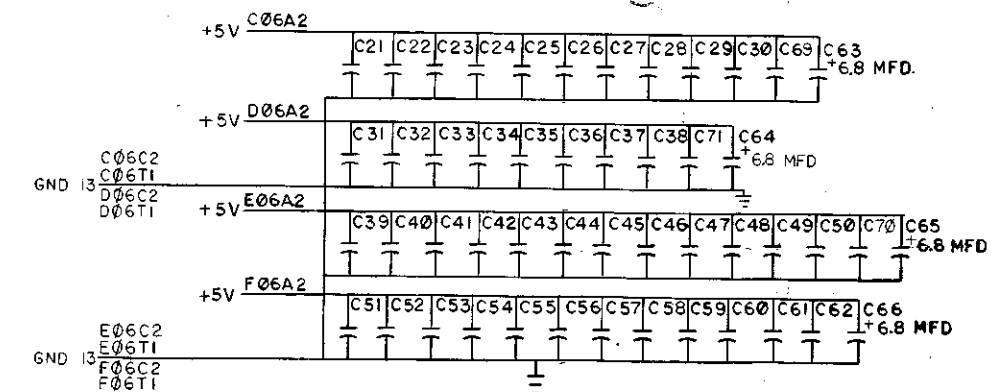
IC TYPE	GND	+5V
DEC 7481	PIN 10	PIN 4
DEC 7482	PIN 11	PIN 4
DEC 8251	PIN 8	PIN 16
DEC 8271	PIN 8	PIN 16
DEC 380	PIN 1	PIN 8
DEC 384	PIN 1	PIN 8
- UNLESS OTHERWISE NOTED: RESISTANCE IS IN OHMS; CAPACITANCE IS IN PICOFARADS. CAPACITORS WITHOUT ANY NOTED VALUES ARE .01 MFD.

COMPONENT PLACEMENT



PIN NOMENCLATURE

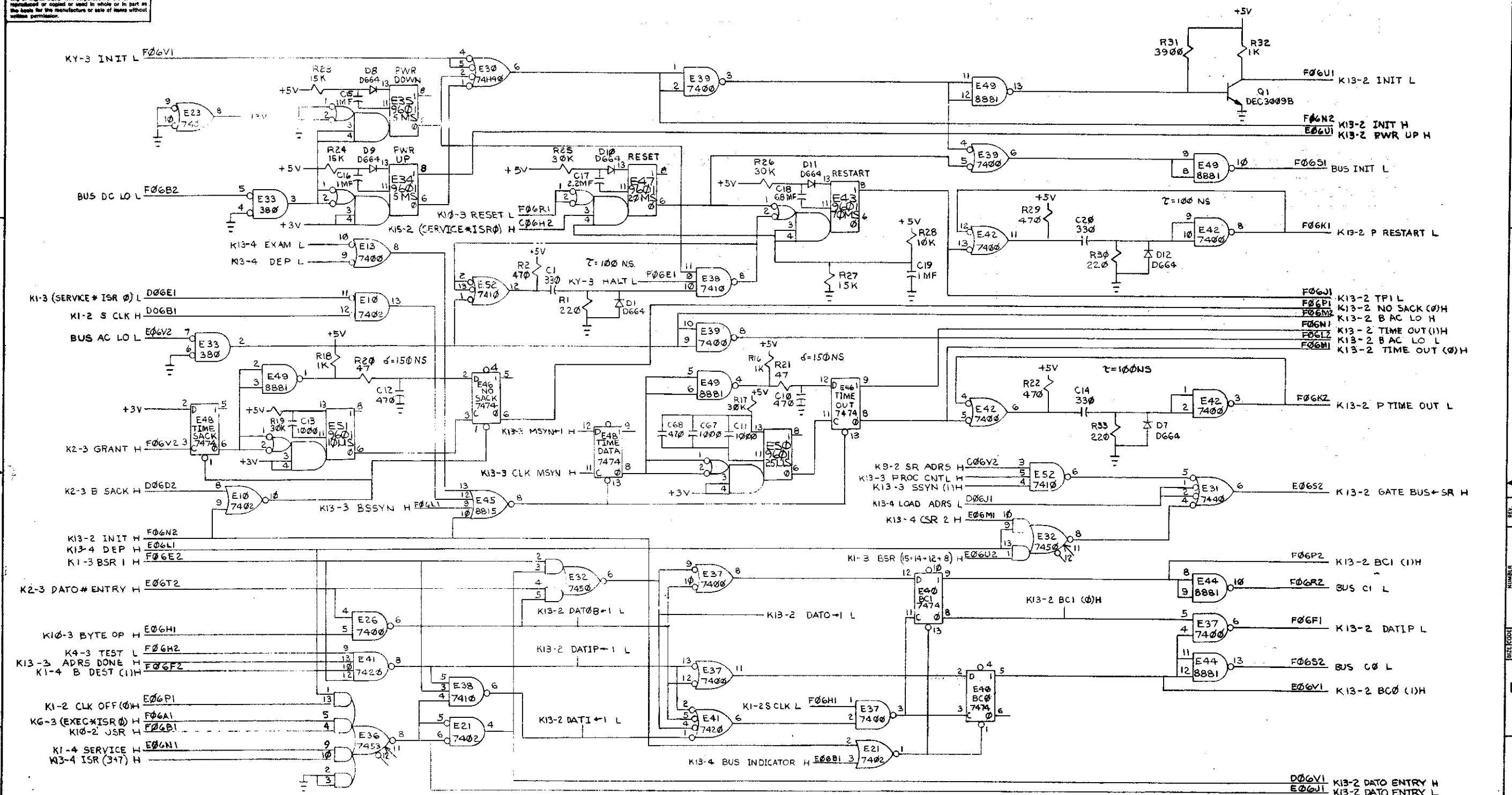
MODULE	PROCESSOR
A	C
B	D
C	E
D	F



REV	CHG	NO	DATE
B		4-00001	7-21-70
C		00003	4/23/70
D		00004	5/22/70

FIRST USED ON OPTION/MODEL PDP 11	QTY.	DESCRIPTION	PART NO.	ITEM NO.
UNLESS OTHERWISE SPECIFIED DIMENSION IN INCHES		DATE 3/28/70	PARTS LIST	
UNLESS OTHERWISE SPECIFIED TOLERANCES		DATE 3-2-70	digital EQUIPMENT CORPORATION MAYNARD MASSACHUSETTS	
DECIMALS FRACTIONS ANGLES ± .005 ± 1/64 ± 0°30'		DATE 3-6-70	TITLE BUS & CONSOLE CNTL.	
MATERIAL		DATE 3-6-70	M724 K13-1	
NEXT HIGHER ASSY A-ML-KAI1-0		DATE	DCS M724-0-1	
FINISH		DATE	SHEET 1 OF 4	

This drawing and specifications, herein, are the property of Digital Equipment Corporation and shall not be reproduced or copied or used in whole or in part as the basis for the manufacture or sale of items without written permission.



REV	CHANGE NO.	DESCRIPTION

FIRST USED ON OPTION/MODEL	QTY.	DESCRIPTION	PART NO.	ITEM NO.
PDP 11				
UNLESS OTHERWISE SPECIFIED				
DRAWN BY: <i>[Signature]</i>		DATE: 12-5-69		
CHECKED BY: <i>[Signature]</i>		DATE: 3/18/70		
ENG. BY: <i>[Signature]</i>		DATE: 3-6-70		
PROJ. ENG. BY: <i>[Signature]</i>		DATE: 3-6-70		
PROB. BY: <i>[Signature]</i>		DATE:		
PARTS LIST				
MATERIAL: //				
FINISH: //				
NEXT HIGHER ASSY: A-ML-KA11-0				
SCALE: NONE				
SHEET 2 OF 4				

digital EQUIPMENT CORPORATION
MAYNARD, MASSACHUSETTS

TITLE: **BUS & CONSOLE CNTL**

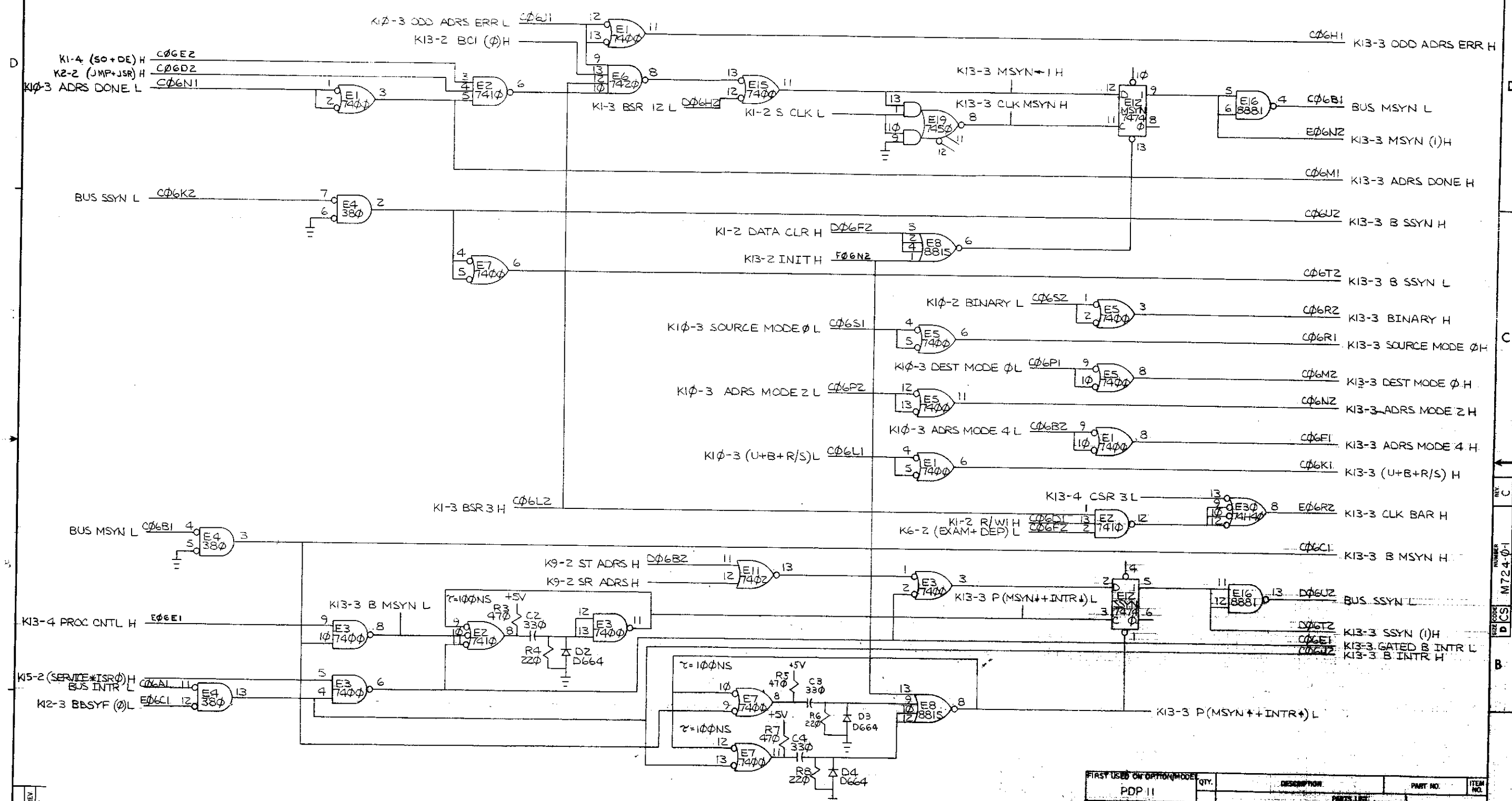
M724 K13-2

SIZE CODE: DCS M724-0-1

NUMBER: M724-0-1

REV: C

This drawing and specifications herein are the property of Digital Equipment Corporation and shall not be reproduced or copied or used in whole or in part as the basis for the manufacture or sale of items without written permission.



REV	
CHG	

FIRST USED ON OPTION MODE	QTY.	DESCRIPTION	PART NO.	ITEM NO.
POP II				
UNLESS OTHERWISE SPECIFIED				
DIMENSION IN INCHES				
TOLERANCES				
DECIMAL FRACTIONS ANGLES				
± .005 ± 1/64 ± .030				
FINAL SURFACE QUALITY				
REMOVE BURRS AND BREAK SHARP CORNERS				
MATERIAL				
NEXT HIGHER ASSY		TITLE		
A-ML-KAII-0		BUS & CONSOLE CNTL		
NAME NONE		M724 K13-3		
SHEET 3 OF 4		DICS M724-01		

REV. C

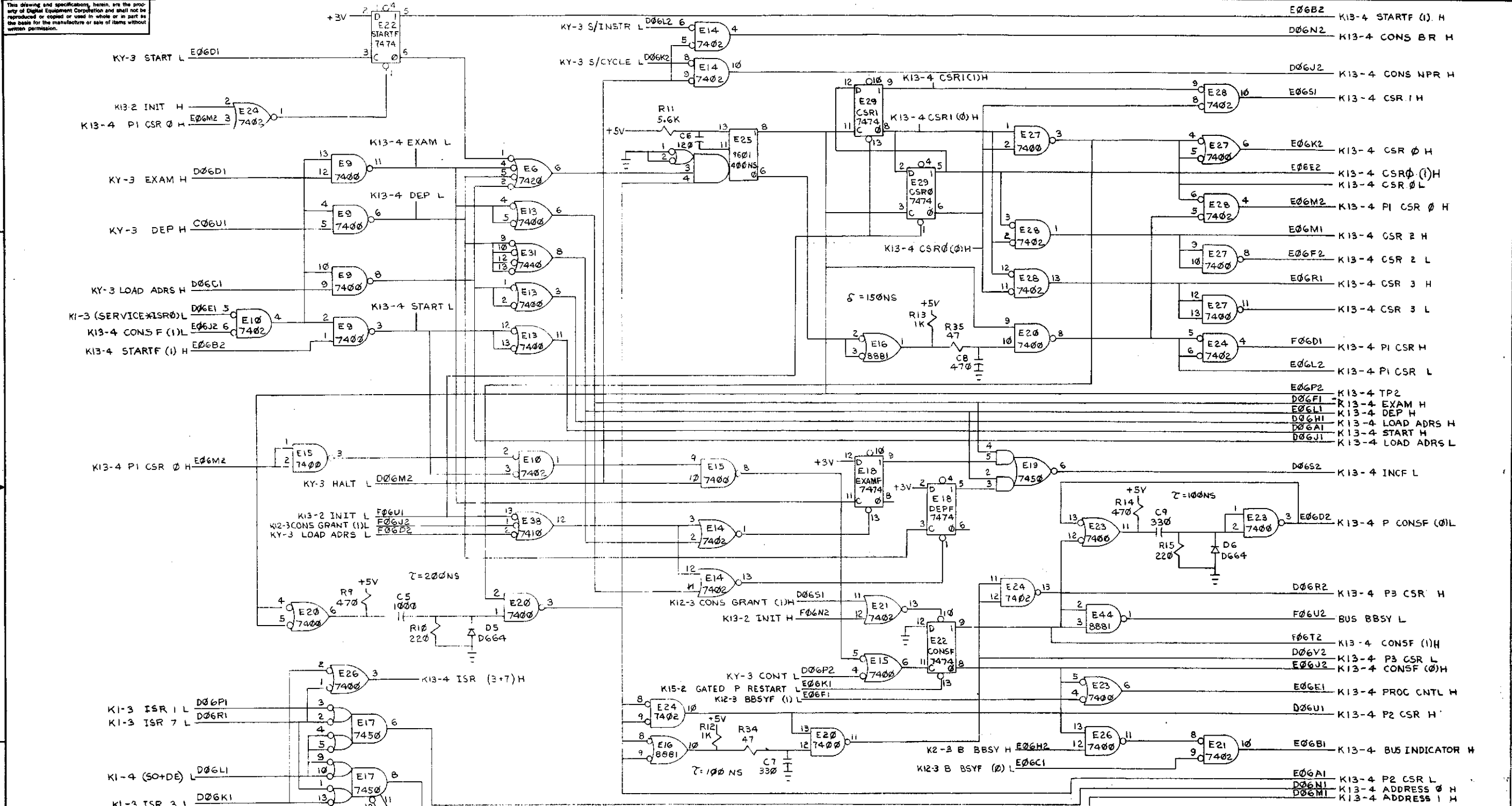
NUMBER M724-01

REV. C

REV. C

REV. C

This drawing and specifications herein, are the property of Digital Equipment Corporation and shall not be reproduced or copied or used in whole or in part as the basis for the manufacture or sale of items without written permission.

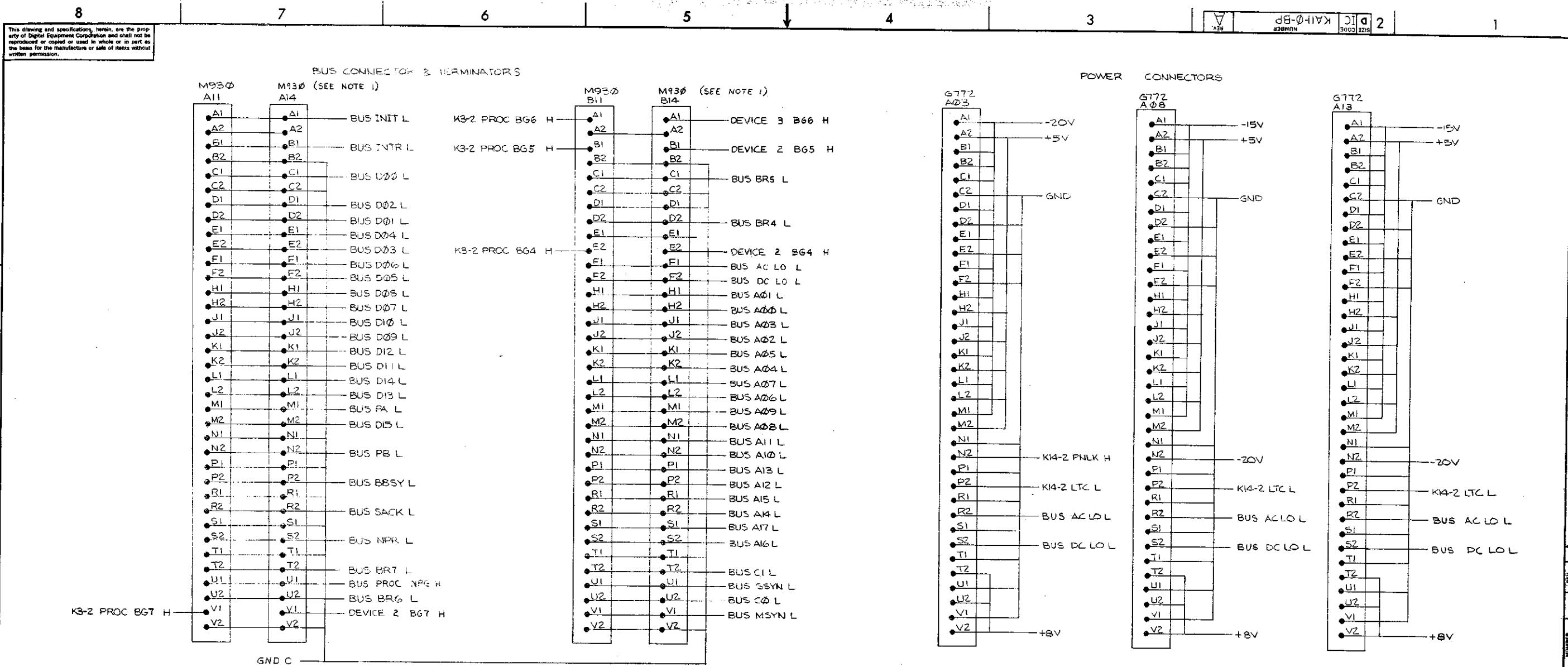


- E06B2 K13-4 STARTF (I) H
- D06N2 K13-4 CONS BR H
- D06J2 K13-4 CONS NPR H
- E06S1 K13-4 CSR 1 H
- E06K2 K13-4 CSR 0 H
- E06E2 K13-4 CSR 0 (I) H
- K13-4 CSR 0 L
- E06M2 K13-4 PI CSR 0 H
- E06M1 K13-4 CSR 2 H
- E06F2 K13-4 CSR 2 L
- E06R1 K13-4 CSR 3 H
- K13-4 CSR 3 L
- F06D1 K13-4 PI CSR H
- E06L2 K13-4 PI CSR L
- E06P2 K13-4 TP2
- D06F1 K13-4 EXAM H
- E06L1 K13-4 DEP H
- D06H1 K13-4 LOAD ADRS H
- D06A1 K13-4 START H
- D06J1 K13-4 LOAD ADRS L
- D06S2 K13-4 INCF L
- E06D2 K13-4 P CONSF (0) L
- D06R2 K13-4 P3 CSR H
- F06U2 BUS BBSY L
- F06T2 K13-4 CONSF (I) H
- D06V2 K13-4 P3 CSR L
- E06J2 K13-4 CONSF (0) H
- E06E1 K13-4 PROC CNTL H
- D06U1 K13-4 P2 CSR H
- E06B1 K13-4 BUS INDICATOR H
- E06A1 K13-4 P2 CSR L
- D06N1 K13-4 ADDRESS 0 H
- D06M1 K13-4 ADDRESS 1 H

REVISIONS	REV.
CHANGE NO.	
CHK	

FIRST USED ON OPTION/MODEL	QTY.	DESCRIPTION	PART NO.	ITEM NO.
PDP11				
PARTS LIST				
UNLESS OTHERWISE SPECIFIED	DRN.	DATE	DIGITAL EQUIPMENT CORPORATION	
UNLESS OTHERWISE SPECIFIED	CHKD.	DATE	MAYNARD, MASSACHUSETTS	
DIMENSION IN INCHES	ENG.	DATE	TITLE	
TOLERANCES	PROJ. ENG.	DATE	BUS & CONSOLE CNTL	
DECIMALS FRACTIONS ANGLES	PROD.	DATE	M724 K13-4	
= .005 = 1/64 = 0°30'			NEXT HIGHER ASSY	
FINAL SURFACE QUALITY			A-ML-KA11-0	
REMOVE BURRS AND BREAK SHARP CORNERS			SCALE NONE	
MATERIAL			SHEET 4 of 4	
FINISH			DST.	

This drawing and specifications, herein, are the property of Digital Equipment Corporation and shall not be reproduced or copied or used in whole or in part as the basis for the manufacture or sale of items without written permission.



NOTES:
 1. BEFORE THE KAI1 IS INTERCONNECTED TO OTHER SYSTEM UNITS, A M930 BUS TERMINATOR IS IN LOCATIONS AB14. THIS TERMINATOR IS MOVED TO THE END SYSTEM UNIT UPON INTERCONNECTION; AND A M920 INTERNAL BUS CONNECTOR IS IN LOCATIONS AB14.

REV. A	CHG. NO. KAI1-00007	REV. A
J. O'LOUGHLIN		
3-6-70		

FIRST USED ON OPTION/MODEL PDP 11	QTY.	DESCRIPTION	PART NO.	ITEM NO.
PARTS LIST				
UNLESS OTHERWISE SPECIFIED	DRN	DATE	digital EQUIPMENT CORPORATION MAYNARD, MASSACHUSETTS	
UNLESS OTHERWISE SPECIFIED	CHKD.	DATE	TITLE	
DIMENSION IN INCHES		DATE	KAI1 BUS & POWER CONNECTIONS	
TOLERANCES		DATE	K14-2	
DECIMALS FRACTIONS ANGLES	ENG.	DATE	SIZE CODE NUMBER	
= .005 = 1/64 = 0.30	PROJ. ENG.	DATE	D1C KAI1-0-BP	
FINAL SURFACE QUALITY	PRD.	DATE	REV. A	
REMOVE BURRS AND BREAK SHARP CORNERS	FINISH	DATE	SCALE	
MATERIAL	FINISH	DATE	SHEET OF	
NEXT HIGHER ASSY	FINISH	DATE	DIST.	

PARTS REFERENCE

ITEM NO	DRAWING REFERENCE	DESCRIPTION	PART NUMBER	QUANTITY
1	E1	DEC 8881	I.C. 1909705	1
2	E2, E8	DEC 7402N	I.C. 1909004	2
3	E3, E4, E5	DEC 9601	I.C. 1909487	3
4	E6	DEC 7400N	I.C. 1909575	1
5	E7	DEC 7420N	I.C. 1909577	1
6	E9	DEC 7400N	I.C. 1909575	1
7	E10	DEC 74H53N	I.C. 1909062	1
8	E11	DEC 8815A	I.C. 1909713	1
9	E12	DEC 7410N	I.C. 1909576	1
10	E13	DEC 7474N	I.C. 1909547	1
11	C1-C11	.01 MFD 100V 20%	CAP 1001610	11
12	C13	6.8 MFD 35V 20%	CAP 1000067	1
13	C14	2200 MMF 250V 20%	CAP 1020055	1
14	C15	3.9 MFD 10V 10%	CAP 1020064	1
15	C16	1.0 MFD 35V 10%	CAP 1001776	1
16	C17	.47 MFD 35V 10%	CAP 1005965	1
17	C18	330 MMF 100V 5%	CAP 1000023	1
18	C19	680 MMF 100V 5%	CAP 1000026	1
19	R1, R3, R13	220 1/4W 5%	RES 130027	3
20	R2, R4, R7, R14, R15	470 1/4W 5%	RES 1300316	5
21	R5	10 K 1/4W 5%	RES 1300479	1
22	R6	22K 1/4W 5%	RES 1301808	1
23	R8, R11, R12	1K 1/4W 5%	RES 1300365	3
24	R10	2.2K 1/4W 5%	RES 1300417	1
25	D1-D6	0.564 DIODE	1120114	6
26	Q1	DEC 3009B TRANSISTOR	1503100	1
27	R9	20K 1/4W 5%	RES 1302391	1

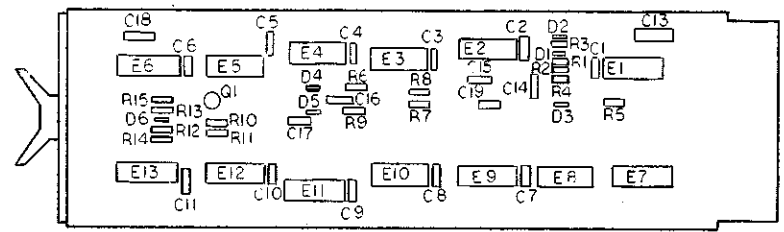
NOTES:

- PIN NOTATION THROUGHOUT IS ORDERED UPON MODULE PLACEMENT IN THE KAI1 PROCESSOR. MODULE REFERENCE ALONE IS OBTAINED BY DELETING THE NUMBER (SLOT LOCATION) AFTER THE FIRST LETTER, AND CONVERTING THE FIRST LETTER ACCORDING TO THE PIN NOMENCLATURE CHART AT RIGHT.
- ALL SIGNALS THAT HAVE MODULE PINS ARE SO NOTED; MULTIPLE NOTATIONS OF THE SAME SIGNALS WITHIN A MODULE HAVE THE PIN NOTED ON EACH. AN INPUT SIGNAL IS NOTED ONLY ONCE PER SHEET UNLESS SEPERATE PINS ARE USED; MULTIPLE INPUTS ARE CONNECTED. MODULE OUTPUT SIGNALS ARE BROUGHT TO THE EXTREME RIGHT OF EACH SHEET.
- PROCESSOR SIGNAL SOURCE NOTATION (K10-2, FOR EXAMPLE) IDENTIFIES THE SIGNAL SOURCE (PRINT AND MODULE). THE FIRST NUMBER AFTER THE K INDICATES THE MODULE PRINT SET, WHILE THE SECOND INDICATES THE SHEET WITHIN THE SET. IF ON A PRINT, THE FIRST NUMBER OF THE K PREFIXES COINCIDE FOR A SIGNAL NAME AND THE PRINT (SEE TITLE BLOCK), THE SIGNAL IS GENERATED ON THE MODULE. A DIFFERENCE IN THE FIRST NUMBER OF THE K PREFIXES INDICATES A SIGNAL GENERATED OFF THE MODULE. SIGNALS WITH A "BUS" PREFIX REPRESENT A "WIRED OR" SITUATION, AND MULTIPLE SOURCES FOR THE SIGNAL CAN EXIST.
- DETAILS ON COMPONENTS ARE NOTED IN THE PARTS REFERENCE. PLACEMENT IS NOTED IN THE COMPONENT PLACEMENT DIAGRAM.
- GND AND +5V ARE USUALLY PIN 7 AND PIN 14, RESPECTIVELY. EXCEPTIONS ARE:

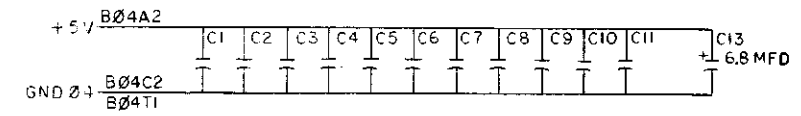
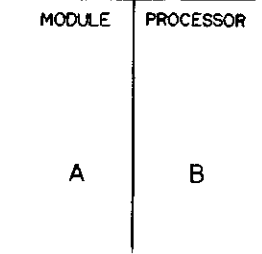
IC TYPE	GND	+5V
DEC 7481	PIN 10	PIN 4
DEC 7482	PIN 11	PIN 4
8251	PIN 8	PIN 16
DEC 8271	PIN 8	PIN 16
DEC 380	PIN 1	PIN 8
DEC 384	PIN 1	PIN 8

6. UNLESS OTHERWISE NOTED: RESISTANCE IS IN OHMS; CAPACITANCE IS IN PICO FARADS. CAPACITORS WITHOUT ANY NOTED VALUES ARE .01 MFD.

COMPONENT PLACEMENT



PIN NOMENCLATURE



REV B

CHANGE NO. 00002

J.F. O'LOUGHLIN

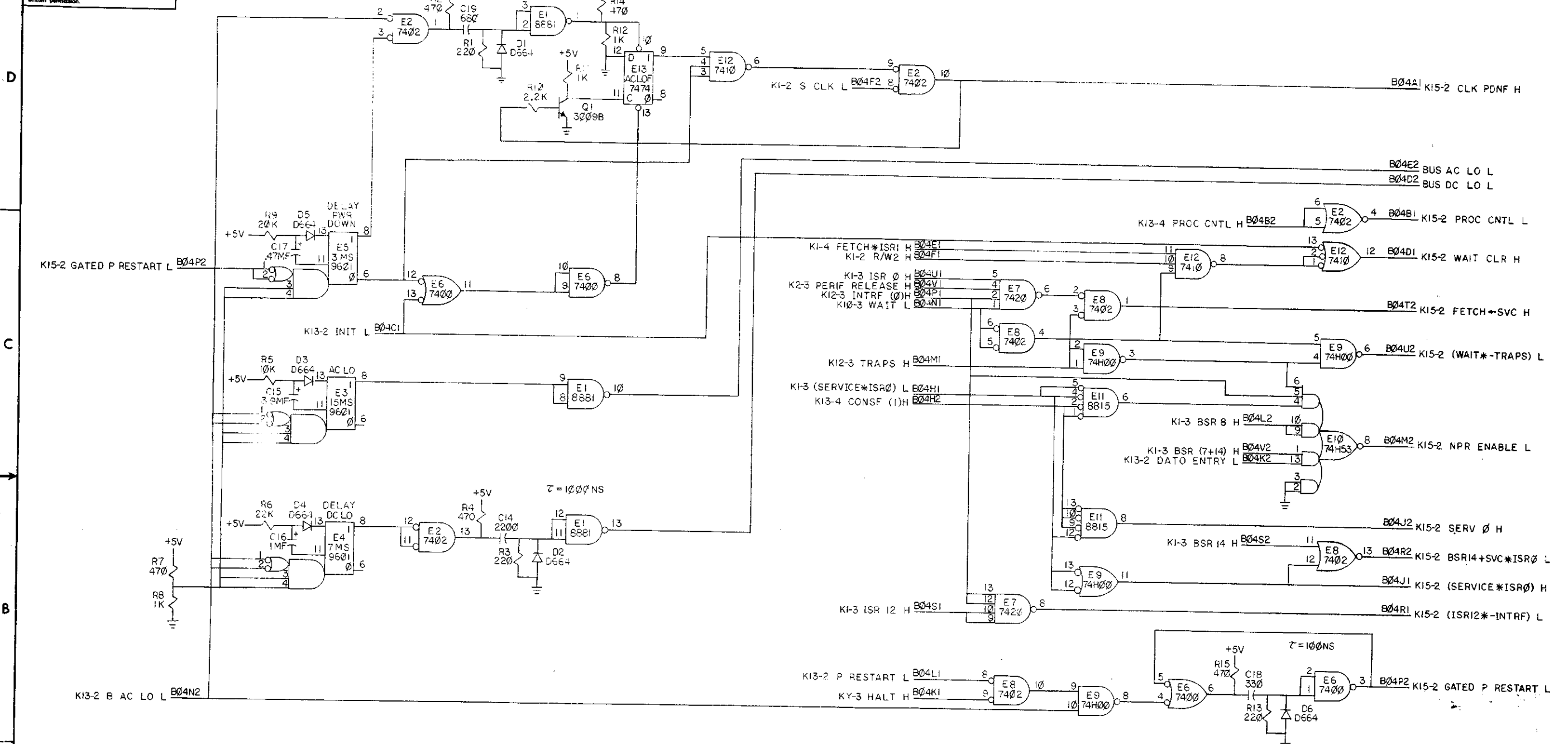
1-7-78

FIRST USED ON OPTION/MODEL PDP11	QTY.	DESCRIPTION	PART NO.	ITEM NO.
PARTS LIST				
UNLESS OTHERWISE SPECIFIED DIMENSION IN INCHES	DRN 3-5-78	DATE	digital EQUIPMENT CORPORATION MAYNARD, MASSACHUSETTS	
TOLERANCES	CHK'D 3-6-70	DATE	TITLE POWER FAIL & CNTL	
DECIMALS FRACTIONS ANGLES	ENG 3-6-70	DATE	M825 KI5-1	
± .005 ± 1/64 ± 0°30'	PRJ ENR 3-6-70	DATE	SIZE CODE NUMBER DCS/M825-0-1	
FINAL SURFACE QUALITY REMOVE BURRS AND BREAK SHARP CORNERS	PRG 10-78	DATE	REV B	
MATERIAL	NEXT HIGHER ASSY		SCALE	
FINISH	A-ML-KAI1-0		SHEET 1 OF 2	
ETCH REV A B C			DIST.	

REV B

DATE CODE DCS M825-0-1

This drawing and specifications, herein, are the property of Digital Equipment Corporation and shall not be reproduced or copied or used in whole or in part as the basis for the manufacture or sale of items without written permission.



REV.	
CHANGE NO.	
CHK	

DEC FORM NO. 0102A

FIRST USED ON OPTION/ MODEL PDP 11	QTY.	DESCRIPTION	PART NO.	ITEM NO.
UNLESS OTHERWISE SPECIFIED	DRN	DATE	PARTS LIST	
UNLESS OTHERWISE SPECIFIED	CHK'D	DATE	digital EQUIPMENT CORPORATION MAYNARD, MASSACHUSETTS	
DIMENSION IN INCHES	ENG	DATE	TITLE	
TOLERANCES	PRJ. END	DATE	PWR FAIL & CNTL	
DECIMALS FRACTIONS ANGLES	PRD.	DATE	M825 K15-2	
± .005 ± .04 ± .030	FINISH	DATE	NEXT HIGHER ASSY.	
FINAL SURFACE QUALITY	FINISH	DATE	A-ML: K11-0	
REMOVE BURRS AND BREAK SHARP CORNERS	FINISH	DATE	SCALE NONE	
MATERIAL	FINISH	DATE	SIZE CODE NUMBER REV.	
	FINISH	DATE	DICS M825-0-1 B	
	FINISH	DATE	SCALE NONE	
	FINISH	DATE	SHEET 2 OF 2	

REV. B
 M825-0-1
 DICS

1 Pink

This drawing and specifications, herein, are the property of Digital Equipment Corporation and shall not be reproduced or copied or used in whole or in part as the basis for the manufacture or sale of items without written permission.

NOTES:

1. SLOTS 5 AND 10 ARE CASTING SPACES. NO MODULES CAN BE INSERTED, BUT THE SLOTS ARE NUMBERED.
2. A CONSOLE PANEL IS REQUIRED IN THE KAI1. THE PDP 11/20 SYSTEM UTILIZES THE KY11-A CONSOLE (5408560) IN LOCATIONS ABCDEF1. THE PDP11/10 SYSTEM UTILIZES THE KY11-B CONSOLE () IN LOCATIONS EPI.
3. PREWIRED MODULE SLOTS FOR NOTED OPTIONS.
4. PREWIRED MODULE SLOTS FOR SMALL PERIPHERAL OPTIONS. WITH NO OPTIONS INSTALLED, BUS GRANT CONTINUITY IS PROVIDED BY THE G727 MODULE IN LOCATIONS D13 AND D14. THE G727 MODULE IS REMOVED WHEN A SMALL PERIPHERAL OPTION IS INSTALLED. SHOWN ARE THE USUAL OPTION CONFIGURATIONS OF DEVICE CONTROL IN LOCATIONS C AND D. ADDRESS SELECTOR IN LOCATION E, AND INTERRUPT CONTROL IN LOCATION F. IT IS POSSIBLE FOR OTHER MODULE CONFIGURATIONS TO UTILIZE THE STANDARD WIRING PROVIDED.
5. BEFORE THE KAI1 IS INTERCONNECTED TO OTHER SYSTEM UNITS, A M930 BUS TERMINATOR IS IN LOCATIONS AB14. THIS TERMINATOR IS MOVED TO THE END SYSTEM UNIT UPON INTERCONNECTION; AND A M920 INTERNAL BUS CONNECTOR IS IN LOCATIONS AB14

	1	2	3	4	5	6	7	8	9	10	11	12	13	14
A	CONSOLE PANEL KY11A OP OPTION (SEE NOTE 2)	G772				G772				M930		G772	M930	
B		M130	M823	M825		RESERVED	RESERVED	POWER CONNECTOR	RESERVED		M707		POWER CONNECTOR	BUS TERMINATOR OR INTERNAL BUS CONNECTOR (SEE NOTE 5)
		(OPTIONAL) KY11A (SEE NOTE 3)	CODES DATA	PMS FAIL & CNTL		RESERVED	RESERVED	RESERVED	RESERVED		(OPTIONAL) KY11A (SEE NOTE 3)	RESERVED		
C		M727	M728	M728		M724	M725	M820	M224		M822	M824		
D		STATE CNTL	TIMING & STATES	IP DECODE		BUS & CONSOLE CNTL	BUS INTERFACE & IR	DATA PATH CNTL	DATA PATHS 1		FLAG CNTL	PRIORITY	(OPTIONAL) DEVICE CONTROL DEVICE 1 (SEE NOTE 4)	(OPTIONAL) DEVICE CONTROL DEVICE 2 (SEE NOTE 4)
E												G727	G727	
F									M224		M821	M225	M105	M105
									DATA PATHS 2		REGISTER CNTL	REGISTER	(OPTIONAL) ADDRESS SELECTOR DEVICE 1 (SEE NOTE 4)	(OPTIONAL) ADDRESS SELECTOR DEVICE 2 (SEE NOTE 4)
												M782	M782	
												(OPTIONAL) INTERRUPT CONTROL DEVICE 1 (SEE NOTE 4)	(OPTIONAL) INTERRUPT CONTROL DEVICE 2 (SEE NOTE 4)	

CASTING SPACE

CASTING SPACE

REV. A	CHANGE NO. KAI1-0002	DATE 5-18-70
CHK	010UGHLIN	DATE 5/24/70

FIRST USED ON OPTION/MODEL PDP 11

DO NOT SCALE DRAWING
UNLESS OTHERWISE SPECIFIED
DIMENSION IN INCHES
TOLERANCES
DECIMALS FRACTIONS ANGLES
± .005 ± 1/64 ± 0'30"
FINAL SURFACE QUALITY
REMOVE BURRS AND BREAK SHARP CORNERS

MATERIAL
FINISH

QTY.	DESCRIPTION	PART NO.	ITEM NO.
PARTS LIST			
DRG	DATE 3/11/70	digital EQUIPMENT CORPORATION MAYFORD, MASSACHUSETTS	
CHKD	DATE 3/12/70	TITLE MODULE UTILIZATION	
ENG	DATE 3-17-70	SIZE CODE NUMBER REV. DMU KAI1-0-MU A	
PROL ENG	DATE 3-17-70	SCALE NONE	
DATE 3/17/70	SHEET OF 1		DIST.