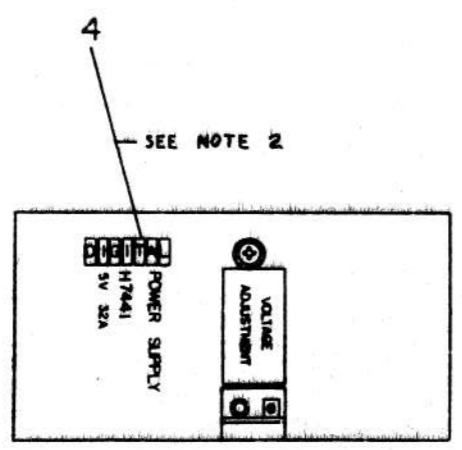
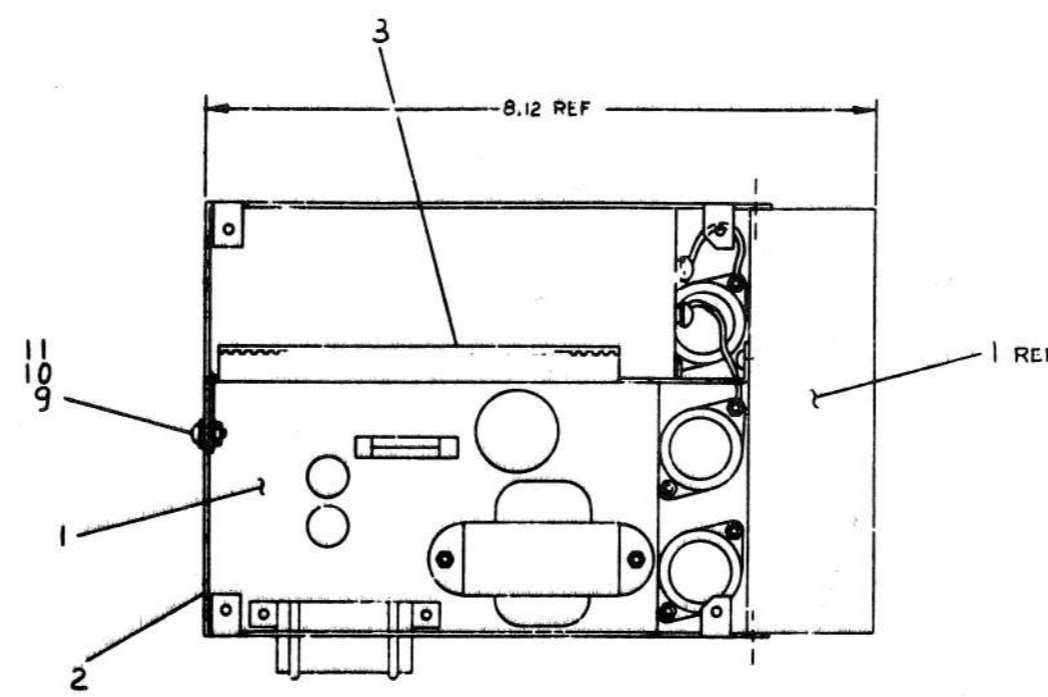


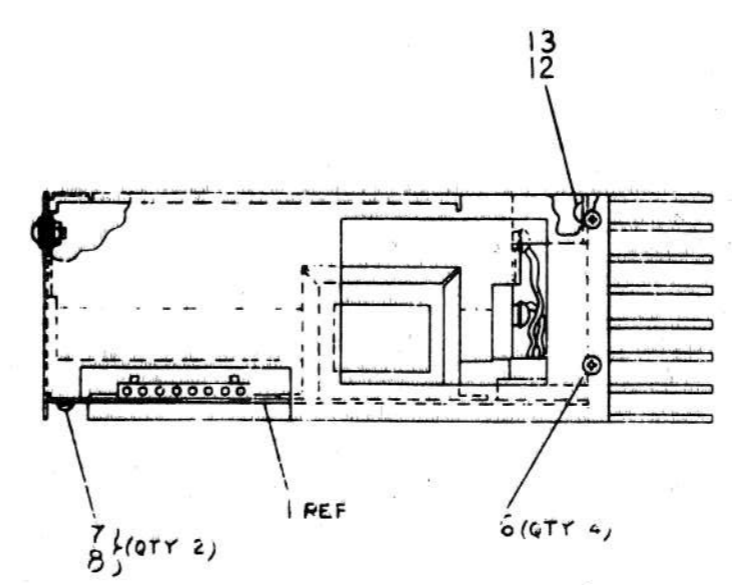


THIS DRAWING AND SPECIFICATIONS HEREAFTER ARE THE PROPERTY OF DIGITAL EQUIPMENT CORPORATION AND SHALL NOT BE REPRODUCED OR COPIED OR USED IN WHOLE OR IN PART AS THE BASIS FOR THE MANUFACTURE OR SALE OF ITEMS WITHOUT WRITTEN PERMISSION. COPYRIGHT © 1976, DIGITAL EQUIPMENT CORPORATION

NOTES:  
 1. ATTACH (RED) WIRE FROM ITEM (#1) REF. TO POSITIVE (+) TERM OF CAPACITOR ITEM (#5). ATTACH REMAINING (BLK) WIRE TO THE (-) TERMINAL OF THE CAP (ITEM 5).  
 2. PEEL AND ATTACH ITEM 4 TO ITEM 2 AS SHOWN.



SEE NOTE 2



DESCRIPTION	DWG/PART NO.	ITEM NO.
1 WASHER, LOCK INT. TOOTH #6	9006633	13
1 SCR, PHL PAN HD #6-32x.38	9006022-01	12
1 NUT, KEPS #6-32x.31	9006560	11
1 WASHER, FLAT #6	9006659	10
1 SCR, PHL PAN HD #6-32x.31	9006021-01	9
2 WASHER FLAT #4	9008172	8
2 SCR, PHL PAN HD #4-40x.25	9008301-01	7
4 SCR, SELF TAPPING #4-40x.31	9009142-2	6
1 CAPACITOR, 24K, 50 VDC	1010708-00	5
1 DECAL	B-1A-7416945-10	4
1 BRACKET, CAPACITOR	D-1A-7417543-0-0	3
1 BRACKET, REGULATOR	D-1A-5309756-09	2
1 REGULATOR, +5V, 32 A	D-1A-5412441-0-0	1

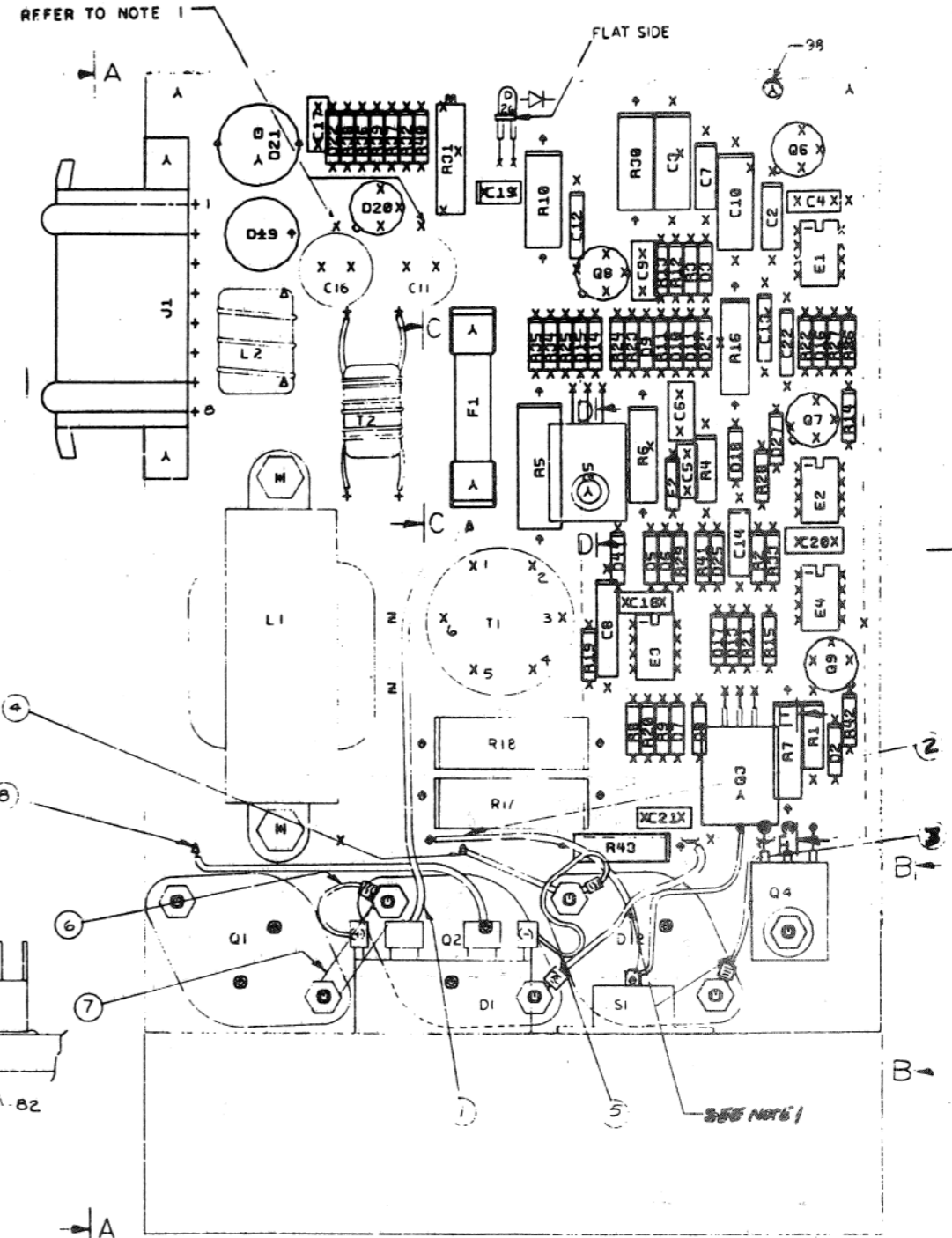
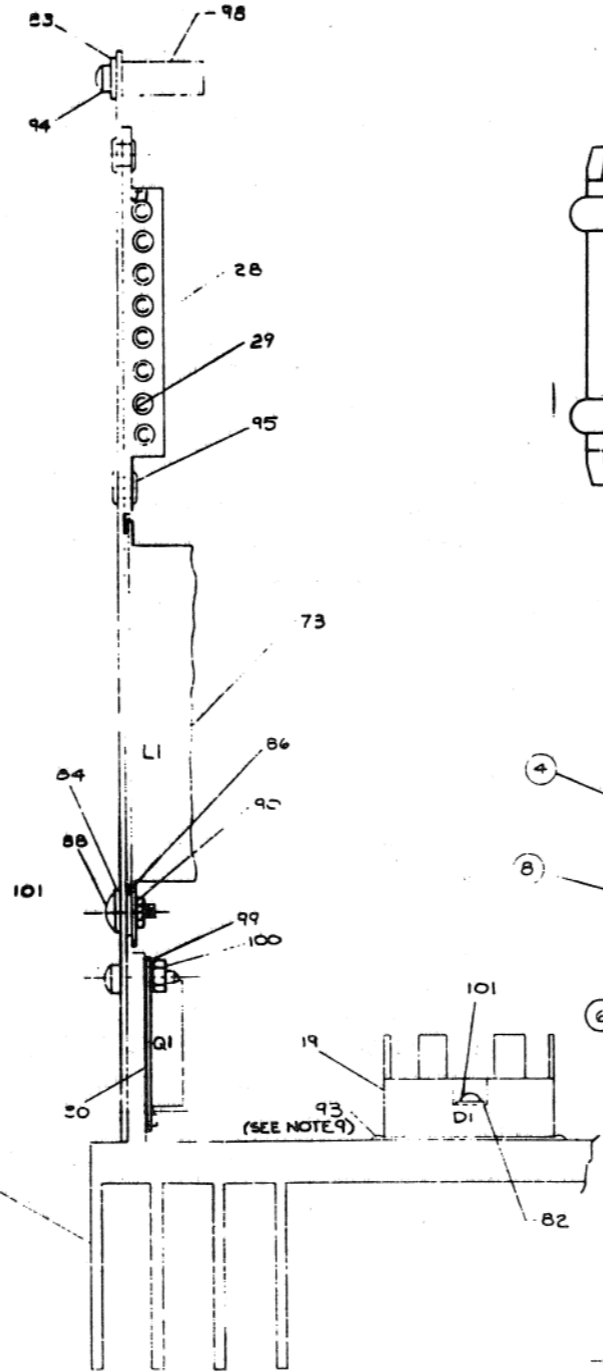
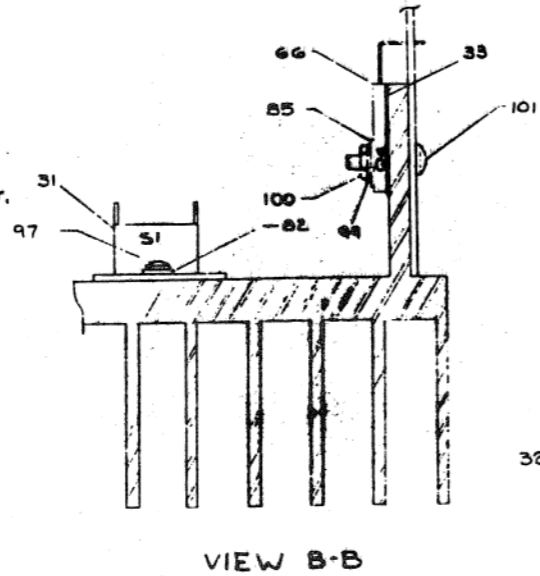
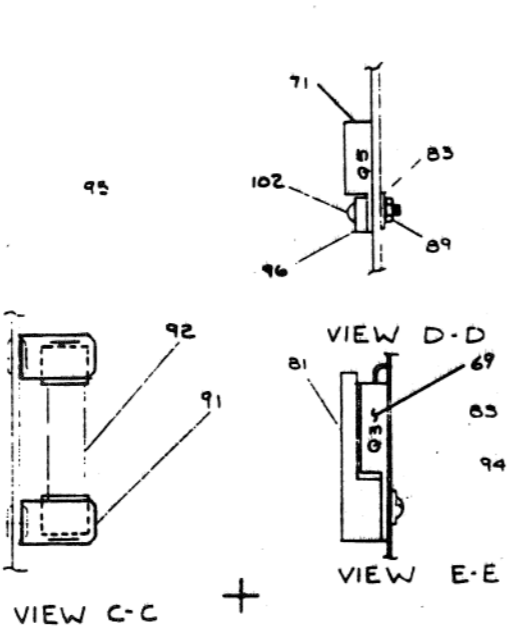
REV.	DATE	BY	CHK'D	APP'D
A	31 JUN 77	R. DAY		
B	8 JUL 77			
C	12 AUG 77			
D	19 SEP 77			
E	12 OCT 77			
F	12 NOV 77			
G	12 DEC 77			
H	12 JAN 78			
I	12 FEB 78			
J	12 MAR 78			
K	12 APR 78			
L	12 MAY 78			
M	12 JUN 78			
N	12 JUL 78			
O	12 AUG 78			
P	12 SEP 78			
Q	12 OCT 78			
R	12 NOV 78			
S	12 DEC 78			

THIRD ANGLE PROJECTION	DRN. <i>[Signature]</i>	FIRST USED ON	1134 A
REMOVE BURRS AND BREAK SHARP CORNERS	CHK'D <i>[Signature]</i>	TITLE	H7441 UNIT ASSY
DO NOT SCALE DWG	ENG. <i>[Signature]</i>	PROJ. ENG.	
MATERIAL SEE PARTS LIST	PROD.	SCALE NONE	NUMBER H7441-0-0
FINISH	NEXT HIGHER ASSY.	SHEET 1 OF 1	REV.

WIRE & BUS STRAP RUNS

NO	FROM	TO	WIRE OR BUS LENGTH
①	FEEDTHRU AT F1	TERMINAL D1	*14 AWG 4" SEE NOTE 3
②	S1	FEEDTHRU SHOWN	*18 AWG 3"
③	S1	FEEDTHRU SHOWN	*18 AWG 2.5"
④	D12	FEEDTHRU SHOWN	DEC PT. #1214074-05 SEE NOTE 4
⑤	TERMINAL D1	D12	*14 AWG 3" SEE NOTE 5
⑥	TERMINAL D1	Q2	*14 AWG 2" SEE NOTE 6
⑦	Q2	Q1	DEC PT. #1214074-04 SEE NOTE 7
⑧	TERMINAL D1	FEEDTHRU SHOWN	*14 AWG 2.75" SEE NOTE 2

NOTES: 1. MOUNT WIRES PER IA DRAWING NO. IA 7015274. RED WIRE TO CASE Q2 AND POSITIVE TERMINAL C1 & BLACK WIRE TO CASE D12 AND NEGATIVE TERMINAL C1.  
 2. WIRE RUN ② IS SOLDERED AT D1.  
 3. WIRE RUN ① IS SOLDERED AT D1.  
 4. STRAP ④ (ITEM #26) IS SOLDERED AT FEEDTHROUGH SHOWN AND MOUNTED UNDER RING LUG OF D12.  
 5. WIRE RUN ⑤ IS SOLDERED AT D1 AND CRIMPED TO RING LUG ITEM #87 OF D12.  
 6. WIRE RUN ⑥ IS SOLDERED AT D1 AND CRIMPED TO RING LUG ITEM #87 OF Q2.  
 7. BUS STRAP ⑦ (ITEM #25) IS MOUNTED UNDER RING LUG OF Q2 AND ON CASE OF Q1.  
 8. TORQUE HARDWARE ON Q1, Q2, Q4 AND D12 TO BINCH-LBS. FROM NUT SIDE ONLY. TORQUE OTHER HARDWARE TO DEC STD VALUES.  
 9. APPLY THERMAL COMPONENT TO D1 (ITEM 14) ONLY.

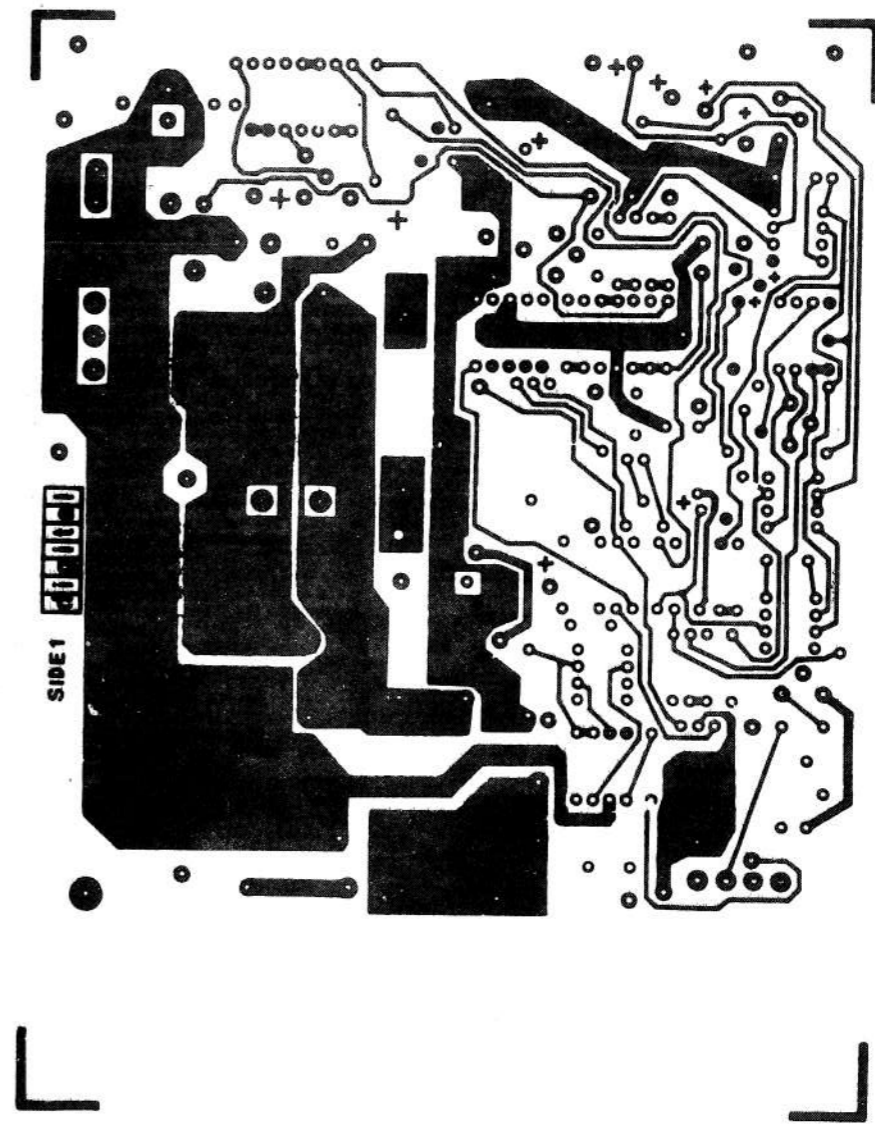


NOTES:  
 1. INDICATED DRILL POINTS AT C11 AND C16 SHOULD NOT BE USED FOR DRILL ALIGNMENT DURING MANUFACTURE. THESE OVERSIZED PADS WILL NOT CENTER WITH DRILL BORING.

CHANGE NO	REV	DATE	BY	CHK'D
1	H	5/20/71		
2	H	5/20/71		
3	H	5/20/71		
4	H	5/20/71		
5	H	5/20/71		
6	H	5/20/71		
7	H	5/20/71		
8	H	5/20/71		
9	H	5/20/71		
10	H	5/20/71		

ETCH REV. P	P.C. DESIGN DATA BASE REV. B-F4
-------------	---------------------------------

SIGNATURES	DATE	TITLE
DRN. B...	5/20/71	digital
CHK'D. ...	5/20/71	
ENG. ...	5/20/71	
PROJ. ENG. ...	5/20/71	
PROD. ...	5/20/71	
SCALE 2/1	SIZE CODE	NUMBER
SHT. 1 OF 3	0 UA	5412441-2-0 J
NEXT HIGHER ASSY. B-DD-5412441-0		



SIDE 1

REVISIONS		DATE		BY		CHK		APPROVED		REV.		DESCRIPTION		PART NO.		REV.	

+5V, 32AMP, REGULATOR  
 D UA 5412441-0-0 J  
 2/1 2 3



LINE	ITEM	DOCUMENT NO.	PART NO.	DESCRIPTION	QTY	REFERENCE DESIGNATORS
1	1	D-MD-5012440-0-0	5012440-00	5412441		
2	2		1000009-00	33.0 MMF 100V 5X200PPM DM15S	1	
3	3		1000021-00	220.0 MMF 100V 5X200PPM DM15S	1	C20
4	4		1001610-01	.01 MFD 100V DR 50V Z5U DISC/800PF MIN	1	C9
5	5		1002627-00	2.2MFD 20V 10% 150D S.TA	5	C4,C5,C17,C18,C21
6	6		1004813-00	10 MFD 20V 10% 150D S.TA	2	C2,C7
7	7		1010279-00	.47 MFD 25V 20% 2C023 CER.	1	C8
8	8		1010646-00	.015 MFD 50V 2% M.POLYCARB	1	C19
9	9		1010702-00	24,000 MFD 50V GZ 36D AL EL	2	C3,C10
10	10		1012607-00	560 MFD 20V HX 672D AL EL	1	C1
11	11		1012607-01	1200 MFD 6.3V HX 672D AL EL	1	C11
12	12		1009964-00	.68 MFD 35V 10% 150D S.TA	1	C16
13	13		1001776-00	1 MFD 35V 10% 150D S.TA	1	C12
14	14		1000024-00	470.0 MMF 100V 5X200PPM DM15S	3	C13,C14,C22
15	15		1105508-00	1N 823 VZ= 6.2 5% .40W Y	1	C6
16	16		1102808-00	1N 752A VZ= 5.6 5% .40W P	1	D18
17	17		1103341-00	MR1033B PIV=300 I= 3A Z44 SH	1	D22
18	18		1105275-00	D 672 TR= 15NS FIV= 60V SP	1	D19
19	19		1110051-00	DM 16 ASSY@200V & 25A @990-3	15	D3-D6,D9-D11,D13-D17,D23,D25,
20	20		1110324-00	LED 1MCD@10MA @MV5054-10MP4882	CONT	D27
21	21		1110836-00	1N 759A VZ= 12.0 5% .40W P	1	D1
22	22		1110968-00	2N 5062 SCR@100V I=.8A T092	1	D26
23	23		1112595-01	A114B PIV=200 I= 1A	1	D2
24	24		1113496-00	UES602R PIV=100 I=30A T03	1	D20
25	25		1214074-04	STRAP,THERMAL 2 HOLE	2	D7,D8
26	26		1214074-05	STRAP,THERMAL LUG .815	1	D12
27	27		1209070-00	FUSE, SUB-MINI, 5.000A, 125V, RADIAL LEAD	1	
28	28		1209340-00	MATE-N-LOK SPIN,HOUSING,SKT	1	F2
29	29		1209456-01	MATE-N-LOK SKT PCB TAB LOOSE	1	J1

REVISION HISTORY			VARIATIONS FOR THIS ASSY.		
CHK	ECO NO	REV	FIRST USED ON:		
SC	00008	J	00		
			MADE BY: D.SIREEN		DATE: 10-MAR-78
			CHECKED: F.GAROFALO		DATE: 10-MAR-78
			DSN.ENG.: R.DAY		DATE: 10-MAR-78
			PROD.: R.B.KING		DATE: 10-MAR-78
			RESP.ENG.: R.DAY		DATE: 10-MAR-78
			DIGITAL EQUIPMENT CORPORATION MAYNARD, MASSACHUSETTS		TITLE
					PARTS LIST
					+5V 32 AMP REGULATOR
			SIZE	CODE	DOCUMENT NUMBER
			K	PL	5412441-0-0
			ASSY.NO.: D-UA-5412441-0-0		REV
					J
					EDIT#
					6

THIS DRAWING AND SPECIFICATIONS HEREIN, ARE THE PROPERTY OF DIGITAL EQUIPMENT CORPORATION AND SHALL NOT BE REPRODUCED OR COPIED OR USED IN WHOLE OR IN PART AS THE BASIS FOR THE MANUFACTURE OR SALE OF ITEMS WITHOUT WRITTEN PERMISSION.  
COPYRIGHT 1978. DIGITAL EQUIPMENT CORPORATION

LINE	ITEM	DOCUMENT NO.	PART NO.	DESCRIPTION	QTY	REFERENCE DESIGNATORS
30	30		1213071-02	INSULATOR,RUBBER SILICONE SM	3	
31	31		1212787-00	THERMOSTAT,00212,C0182,NC	1	S1
32	32		1210737-02	HEAT SINK,REGULATOR	1	
33	33		1213071-06	INSULATOR,RUBBER SILICONE	1	
34	34		1312626-00	2.49 K 1/4W 1% RN55D-F 100PPH	(13-00)	1 R32
35	35		1300229-00	100 1/4W 5% CC	(13-00)	2 R37,R38
36	36		1300250-00	150 1/4W 5% CC	(13-00)	2 R24,R34
37	37		1305322-00	7.5 K 1/4W 1% RN55D-F 100PPH	(13-00)	1 R19
38	38		1300295-00	330 1/4W 5% CC	(13-00)	1 R23
39	39		1301424-00	680 1/4W 5% CC	(13-00)	1 R28
40	40		1301327-00	68 K 1/4W 5% CC	(13-00)	1 R29
41	41		1300439-00	3.3 K 1/4W 5% CC	(13-00)	1 R35
42	42		1310219-00	.25 3W 1% MW	(13-00)	1 R5
43	43		1300248-00	130 1W 5% CC	(13-00)	1 R6
44	44		1302644-00	226 1/4W 1% RN55D-F 100PPH	(13-00)	2 R8,R9
45	45		1300277-00	220 1W 10% CC	(13-00)	1 R16
46	46		1300309-00	390 1/4W 5% CC	(13-00)	1 R40
47	47		1312922-00	536 1/4W 1% RN55D-F 100PPH	(13-00)	1 R33
48	48		1300365-00	1 K 1/4W 5% CC	(13-00)	3 R13,R21,R27
49	49		1300394-00	1.5 K 1/2W 5% CC	(13-00)	1 R1
50	50		1300447-00	4.7 K 1/4W 5% CC	(13-00)	2 R12,R41
51	51		1300479-00	10 K 1/4W 5% CC	(13-00)	4 R14,R15,R22,R42
52	52		1301695-00	47 1/2W 5% CC	(13-00)	1 R4
53	53		1301972-00	270 1/4W 5% CC	(13-00)	1 R11
54	54		1312747-00	56.2 K 1/4W 1% RN55D-F 100PPH	(13-00)	1 R20
55	55		1302751-00	30 1/4W 5% CC	(13-00)	2 R36,R39
56	56		1302871-00	1.21 K 1/4W 1% RN55D-F 100PPH	(13-00)	1 R2
57	57		1303179-00	8.2 K 1/4W 5% CC	(13-00)	2 R25,R26
58	58		1305337-00	3.65 K 1/4W 1% RN55D-F 100PPH	(13-00)	1 R3
59	59		1309143-07	1 K 3/4W10% PDT 100PPH		1 R31
60	60		1310868-00	.39 2W 5% MW	(13-00)	1 R10
61	61		1313712-00	.01 5W 3% MW	(13-00)	2 R17,R18
62	62		1312682-00	3 3W 5% CC	(13-00)	1 R7
63	63		1300256-00	150 1W 10% CC	(13-00)	1 R30
64	64		1300171-00	10 1W 5% CC	(13-00)	1 R43
65	65		1510196-00	2N 5302/HSNPN 200WC SI 60 40 H		2 Q1,Q2
66	66		1510555-00	MJE3055 NPN 90WC SI 60 20 Y		1 Q4
67	67		1510705-00	XA 05 NPN 500MW SI 60 50 P		2 Q6,Q7
68	68		1510706-00	XA 55 PNP 500MW SI 60 50 P		1 Q8
69	69		1510708-00	D 45H8 PNP 50WT SI 60 60 Y		1 Q3
70	70		1510928-00	C32AX135 SCR@100V I=25A		1 D21
71	71		1512790-00	D 44C11 NPN 30W SI 80 40		1 Q5
72	72		1511686-00	DEC5433 FET N 350MW 10 25 1A 20U		1 Q9
73	73		1612584-00	50 UH 30A		1 L1
74	74		1612592-00	PULSE XFMR,RATIO 4:1		1 T1
75	75		1613713-00	CHOKE, 5 UH 32A		1 L2
76	76		1613714-00	2 UH 20A		1 T2
77	77		1910282-00	301AN OP AMP		2 E3,E4

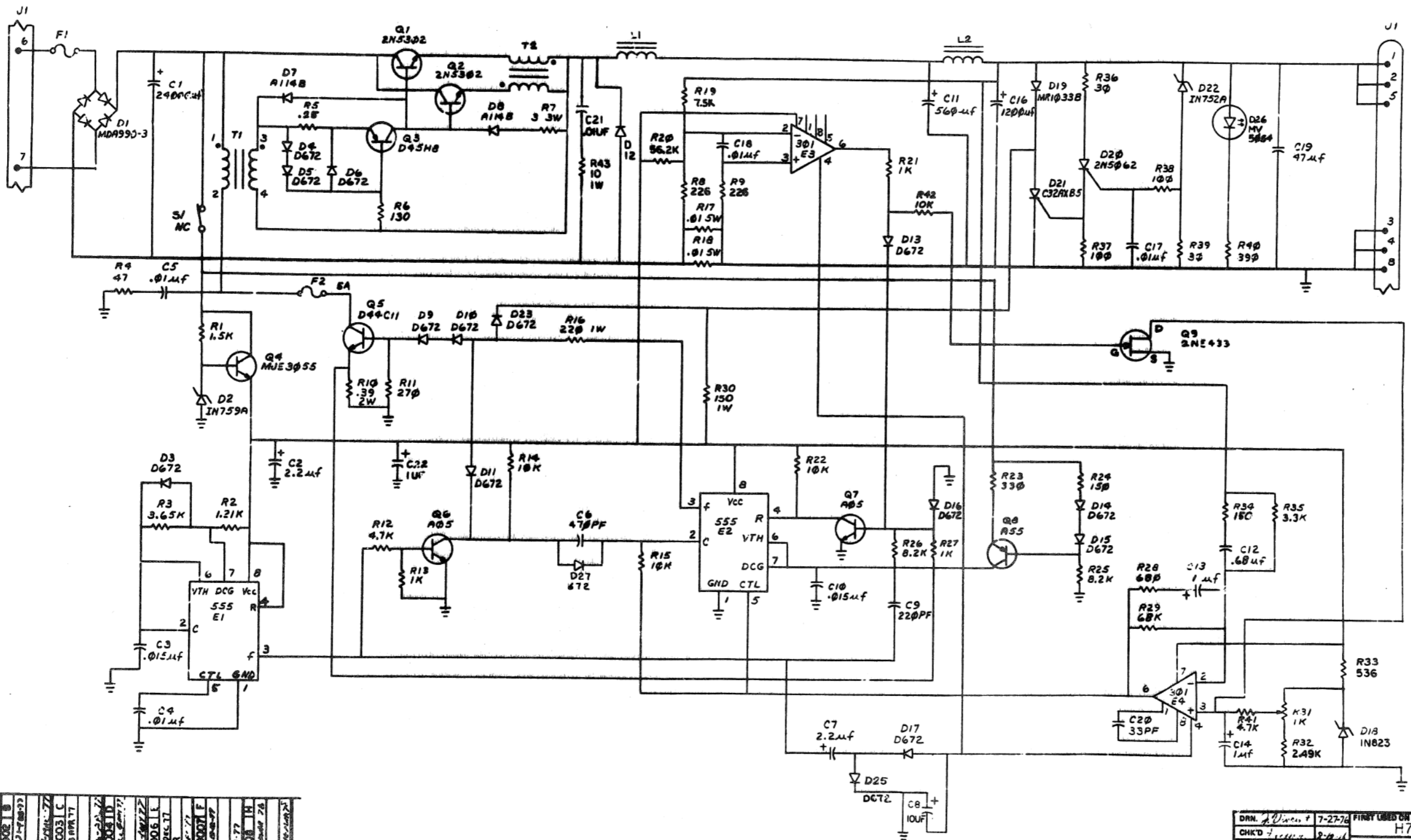
DIGITAL EQUIPMENT CORPORATION MAYNARD, MASSACHUSETTS	TITLE +5V 32 AMP REGULATOR	PARTS LIST	SIZE K	CODE PL	DOCUMENT NUMBER 5412441-0-0	REV J
---	-------------------------------	------------	-----------	------------	--------------------------------	----------

LINE	ITEM	DOCUMENT NO.	PART NO.	DESCRIPTION	QTY	REFERENCE DESIGNATORS
78	78		1911944-00	555CN TIMER,FUNCT.BLOCK	2	E1,E2
79	79		7013274-00	JUMPER CAP TRAWS	1	
80	80		7013274-01	JUMPER CAP TRAWS	1	
81	81		7414765-00	HEATSINK	1	
82	82		9006633-00	WASHER,LOCK,INT,.2800D X .146ID X .018 THK	3	
83	83		9008172-00	WASHER, FLAT,SS .250 OD X .125 ID X .022 T	3	
84	84		9006660-00	WASHER, FLAT, .375 O.D. X .187 I.D. X .036	2	
85	85		9006653-00	WASHER, FLAT, .375 O.D. X .156 I.D. X .036	1	
86	86		9008082-00	WASHER, FLAT, FIBER OD; 1/2	2	
87	87		9007927-00	TERM RING 1POS INSULATED,16-14AWG,ROLL	2	
88	88		9006037-03	SCREW,TRUS,PHIL, 8-32X 3/8 SS/PAS	2	
89	89		9006557-00	NUT,KEP , 4-40X 1/4 AF CS	1	
90	90		9006563-00	NUT,KEP , 8-32 X11/32AF CS	2	
91	91		9007203-00	CLIP, FUSE, WITH STOP, SCREW MOUNTED	2	
92	92		9007226-00	FUSE, REG BLOW, 15.000A, 32V, GLASS	1	F1
93	93		9008268-00	COMPOUND, THERMAL JOINT	A/R	
94	94		9006012-01	SCREW,PAN ,PHIL, 4-40X 7/16 SS/PAS	2	
95	95		9009000-00	EYELET, ROLLED FLANGE, .121 OD X .156 LG	4	
96	96		9009769-00	WASHER, RECTANGULAR .405X.225X.060	1	
97	97		9006021-01	SCREW,PAN ,PHIL, 6-32X 5/16 SS/PAS	2	
98	98		9007660-00	SPACER, FIBER, RND, 4-40, .250 X .500 LG	1	
99	99		9007801-00	WASHER, LOCK, S.S. #6	7	
100	100		9008957-00	NUT,HEX , 6-32X 1/4 AF X 3/32 THK SS	7	
101	101		9007793-01	SCREW,PAN ,PHIL, 6-32X 9/16 SS/PAS	8	
102	102		9006010-01	SCREW,PAN ,PHIL, 4-40X 5/16 SS/PAS	1	
103	103		9107360-99	WIRE,STRND,18AWG,IPVC UL1429 (91-00 A/R		
104	104		9107370-00	WIRE,STRND,14AWG,IPVC UL1534 (91-00 A/R		

DIGITAL EQUIPMENT CORPORATION MAYNARD, MASSACHUSETTS	TITLE +5V 32 AMP REGULATOR	PARTS LIST	SIZE CODE K PL	DOCUMENT NUMBER 5412441-0-0	REV J
---	-------------------------------	------------	-------------------	--------------------------------	----------



THE DESIGN AND SPECIFICATIONS HEREIN ARE THE PROPERTY OF DIGITAL EQUIPMENT CORPORATION AND SHALL NOT BE REPRODUCED OR COPIED OR USED IN WHOLE OR IN PART AS THE BASIS FOR THE MANUFACTURE OR SALE OF ITEMS WITHOUT WRITTEN PERMISSION. COPYRIGHT © 1974, DIGITAL EQUIPMENT CORPORATION



REV.	DATE	BY	CHK'D
1	11/27/74	R. DAY	J. DAY
2	12/16/74	R. DAY	J. DAY
3	1/10/75	R. DAY	J. DAY
4	1/27/75	R. DAY	J. DAY
5	2/11/75	R. DAY	J. DAY
6	2/11/75	R. DAY	J. DAY
7	2/11/75	R. DAY	J. DAY
8	2/11/75	R. DAY	J. DAY
9	2/11/75	R. DAY	J. DAY
10	2/11/75	R. DAY	J. DAY
11	2/11/75	R. DAY	J. DAY
12	2/11/75	R. DAY	J. DAY
13	2/11/75	R. DAY	J. DAY
14	2/11/75	R. DAY	J. DAY
15	2/11/75	R. DAY	J. DAY
16	2/11/75	R. DAY	J. DAY
17	2/11/75	R. DAY	J. DAY
18	2/11/75	R. DAY	J. DAY
19	2/11/75	R. DAY	J. DAY
20	2/11/75	R. DAY	J. DAY
21	2/11/75	R. DAY	J. DAY
22	2/11/75	R. DAY	J. DAY
23	2/11/75	R. DAY	J. DAY
24	2/11/75	R. DAY	J. DAY
25	2/11/75	R. DAY	J. DAY
26	2/11/75	R. DAY	J. DAY
27	2/11/75	R. DAY	J. DAY
28	2/11/75	R. DAY	J. DAY
29	2/11/75	R. DAY	J. DAY
30	2/11/75	R. DAY	J. DAY
31	2/11/75	R. DAY	J. DAY
32	2/11/75	R. DAY	J. DAY
33	2/11/75	R. DAY	J. DAY
34	2/11/75	R. DAY	J. DAY
35	2/11/75	R. DAY	J. DAY
36	2/11/75	R. DAY	J. DAY
37	2/11/75	R. DAY	J. DAY
38	2/11/75	R. DAY	J. DAY
39	2/11/75	R. DAY	J. DAY
40	2/11/75	R. DAY	J. DAY
41	2/11/75	R. DAY	J. DAY
42	2/11/75	R. DAY	J. DAY
43	2/11/75	R. DAY	J. DAY
44	2/11/75	R. DAY	J. DAY
45	2/11/75	R. DAY	J. DAY
46	2/11/75	R. DAY	J. DAY
47	2/11/75	R. DAY	J. DAY
48	2/11/75	R. DAY	J. DAY
49	2/11/75	R. DAY	J. DAY
50	2/11/75	R. DAY	J. DAY

DRN.	7-2776	FIRST USED ON	H7441
CHK'D	2-28-75	TITLE	+5V 32 AMF REGULATOR
ENG.	4-27-75	SCALE	D
PROD. ENG.	4-27-75	NUMBER	5412441-0-1
PROD. ENG.	4-27-75	REV.	H
NEXT HIGHER ASSY.		SHEET	1 OF 1