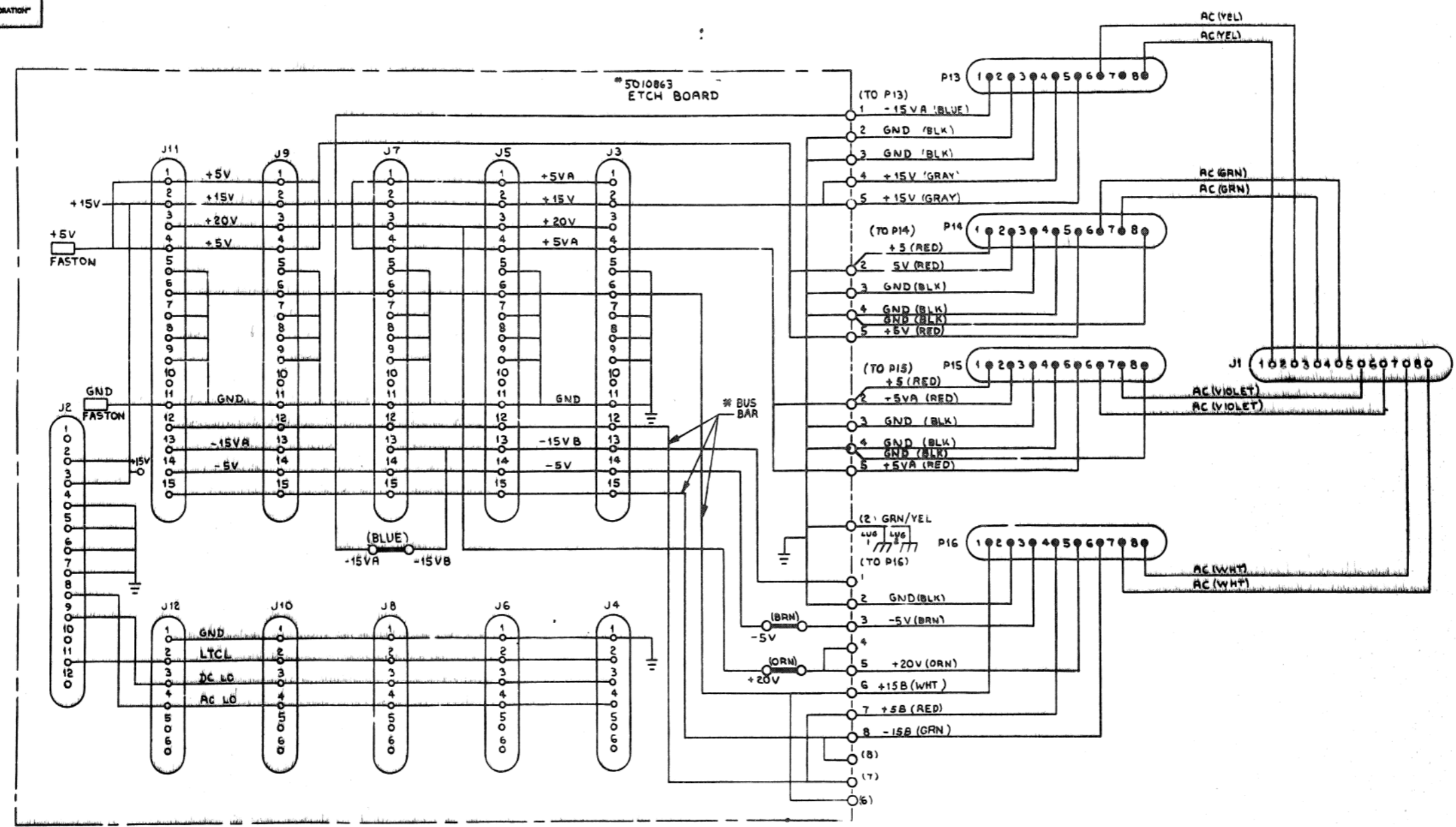


THIS DRAWING AND SPECIFICATIONS HEREIN ARE THE PROPERTY OF DIGITAL EQUIPMENT CORPORATION AND SHALL NOT BE REPRODUCED OR COPIED OR USED IN WHOLE OR IN PART AS THE BASIS FOR THE MANUFACTURE OR SALE OF ITEMS WITHOUT WRITTEN PERMISSION. COPYRIGHT © 1974 DIGITAL EQUIPMENT CORPORATION



* BUS BAR USED IN THE YA VARIATION ONLY

REVISIONS		
CHK	CHANGE NO	REV

TITLE	SIZE CODE	NUMBER	REV.
PWR DIST BOARD	DCS 5410864-0-1	1	L
SCALE NONE	SHEET 2 OF 3	DIST.	

409

THIS DRAWING AND SPECIFICATIONS HEREIN ARE THE PROPERTY OF DIGITAL EQUIPMENT CORPORATION AND SHALL NOT BE REPRODUCED OR COPIED OR USED IN WHOLE OR IN PART AS THE BASIS FOR THE MANUFACTURE OR SALE OF ITEMS WITHOUT WRITTEN PERMISSION. COPYRIGHT © 1974, DIGITAL EQUIPMENT CORPORATION.

1-0-4980145 2

WIRE TABLE

BUS BAR CONNECTIONS FOR YA VARIATION

ITEM NO	AWG	COLOR	FROM		TO		LENGTH	SIGNAL NAME
			CONNECTION	WITH	CONNECTION	WITH		
24	14	YEL	J1-1	8	P13-8	7	12.5"	AC/H745
24		YEL	J1-2		P13-6		12.5"	AC/H745
25		GRN	J1-3		P14-7		11"	AC/H744-1
25		GRN	J1-4		P14-6		11"	AC/H744-1
26		VIO	J1-5		P15-7		8.75"	AC/H744-2
26		VIO	J1-6		P15-6		8.75"	AC/H744-2
27		WHT	J1-7		P16-8		11.25"	AC/H754
27		WHT	J1-8	8	P16-7		11.25"	AC/H754
23		BLU	PDBP13-1	SOLDER	P13-1		5"	-15V
22		BLK	PDBP13-2		P13-2			GND
22		BLK	PDBP13-3		P13-3			GND
21		GRY	PDBP13-4		P13-4			+15V
21		GRY	PDBP13-5		P13-5			+15V
20		RED	PDBP14-2		P14-2			+5V
22		BLK	PDBP14-3		P14-3			GND
22		BLK	PDBP14-4		P14-4			GND
20		RED	PDBP14-5		P14-5			+5V
20		RED	PDBP15-2		P15-2			+5V
22		BLK	PDBP15-3		P15-3			GND
22		BLK	PDBP15-4		P15-4			GND
20		RED	PDBP15-5		P15-5			+5V
22		BLK	PDBP16-2		P16-2			GND
19		BRN	PDBP16-3		P16-3			-5V
18		ORN	PDBP16-5		P16-5	7	5"	+20V
23		BLU	PDBP15A		PDB-15B	SOLDER	1.75"	-15V
18		ORN	PDBP16-5		PDB +20V		5"	+20V
19		BRN	PDBP16-3	SOLDER	PDB -5V		2"	-5V
33		GRN/YEL	LUG 1	35	PDBP16-2	SOLDER	11"	SAFETY GND
33			LUG 2	34			15"	SAFETY GND
20		RED	PDBP16-7	SOLDER	P16-4	7	3.5"	+5V
20		RED	PDBP16-1		P16-1		5"	+5V
20		RED	PDBP14-1		P14-1		3"	+5V
22		BLK	PDBP15-4		P15-8		4.5"	GND
22		BLK	PDBP14-4		P14-8			GND
27		WHT	PDBP16-8		P16-1			+15V
25	14	GRN	PDBP16-8	SOLDER	P16-6	7	3.5"	-15V

LEVEL A	PDBP16-6 J11,J9,J7,J5,J3 ALL PIN #6	+15V.B
LEVEL B	PDBP16-7 J11,J9,J7,J5,J3 ALL PIN #12	+5V
LEVEL C	PDBP16-8 J11,J9,J7,J5,J3 ALL PIN #15	-15V.B

NOTES:
 1. CS REV. K AND EARLIER PWR DISTRIBUTION BOARDS HAD THE GREEN AND WHITE WIRES REVERSED IN COLOR ONLY. THE POINT-TO-POINT CONNECTIONS REMAIN THE SAME.

YA VARIATION ONLY.

SEE NOTE 1

REVISIONS		
CHK	CHANGE NO.	BY

TITLE	PWR DIST BOARD	DWG. NO.	DICS 5410864-0-1	REV.	L
SCALE	NONE	SHEET	3 OF 3	DIST.	

DICS 5410864-0-1 L1

THIS DRAWING AND SPECIFICATIONS HEREAFTER ARE THE PROPERTY OF SIGNAL EQUIPMENT CORPORATION AND SHALL NOT BE REPRODUCED OR COPIED OR USED IN WHOLE OR IN PART AS THE BASIS FOR THE MANUFACTURE OR SALE OF ITEMS WITHOUT THE WRITTEN PERMISSION OF SIGNAL EQUIPMENT CORPORATION

WIRE TABLE (7012500-0)

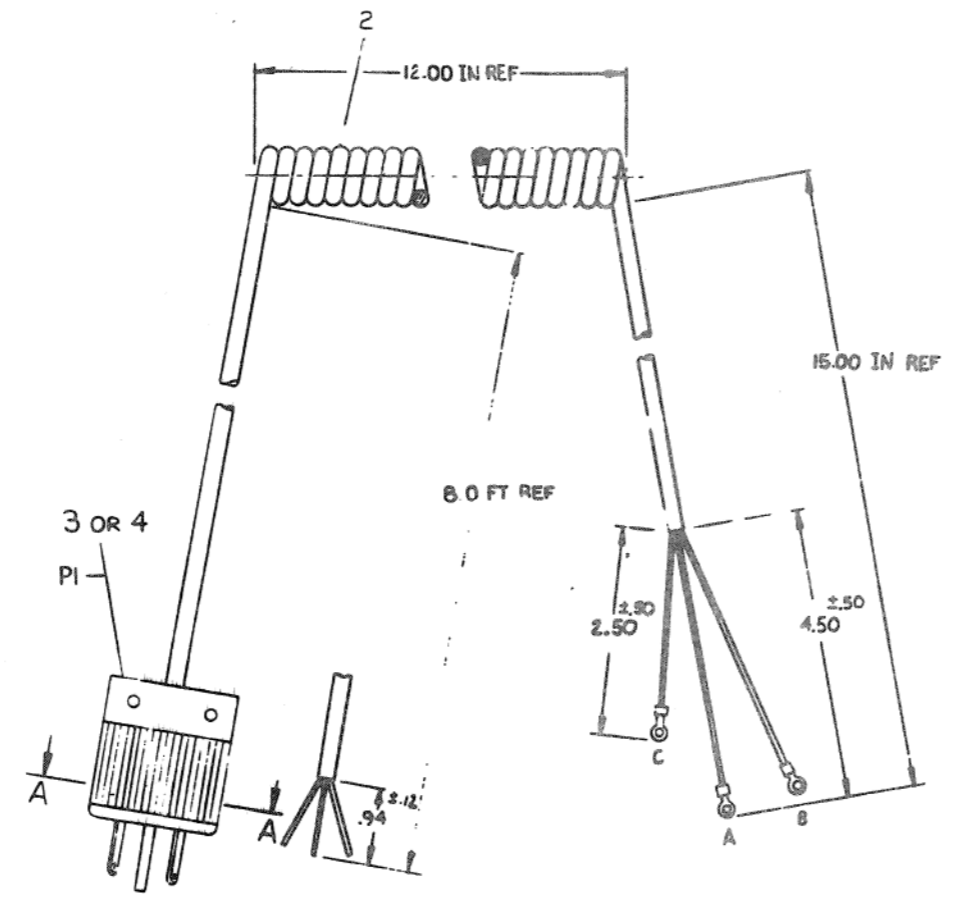
ITEM NO.	DESCRIPTION	FROM CONNECTION	WITH CONNECTION	TO CONNECTION	WITH CONNECTION	REMARKS
2	14 ERN	PI-B	---	B	6	AC LINE
2	14 LT BLU	PI-A	---	A	6	AC NEUTRAL
2	14 BRN/YEL	PI-C	---	C	6	AC SAFETY GND

WIRE TABLE (7012500-1)

ITEM NO.	DESCRIPTION	FROM CONNECTION	WITH CONNECTION	TO CONNECTION	WITH CONNECTION	REMARKS
2	14 BRN	PI-B	---	B	6	LINE
2	14 LT BLU	PI-A	---	A	6	NEUTRAL
2	14 GRN/YEL	PI-C	---	C	6	AC SAFETY GND

LEGEND

NUMBER	VARIATION
7012500-0	12CV
7012500-1	240V



3	B	TERMINAL, R13 TO 15 JE	9037929	3
2	B	TERMINAL, Quick Connect	9007919	2
1	-	PLUG, 240 V	9008853	4
1	-	PLUG, 120 V	9008938	3
1	I	POWER CORD	1700065-0	2
1	-	POWER CORD	1700065-0	2

QUANTITY & VARIATION	DESCRIPTION	EQ. PART NO.	ITEM NO.
7012500-1	7012500-0		
UNLESS OTHERWISE SPECIFIED DIMENSIONS ARE IN INCHES			
ANGLES 90°			
SURFACE QUALITY IN			
MICROFINISH			
PREFERRED			
FIRST USED ON			
TITLE			
POWER CORD			
120V 240V			
MATERIAL SEE PARTS LIST			
SCALE NONE			
FINISH			
SHEET 1 OF 1			

DATE: 11/15/57
 DRAWN: R. WOLF
 CHECKED: R. WOLF
 APPROVED: R. WOLF
 7009811-00007 LB
 R. WOLF
 15 10/57