





①  
+20 VOLT REGULATOR  
E-CS-H754-0-1

②  
REGULATOR BRACKET  
D-IA-5309756-0-1

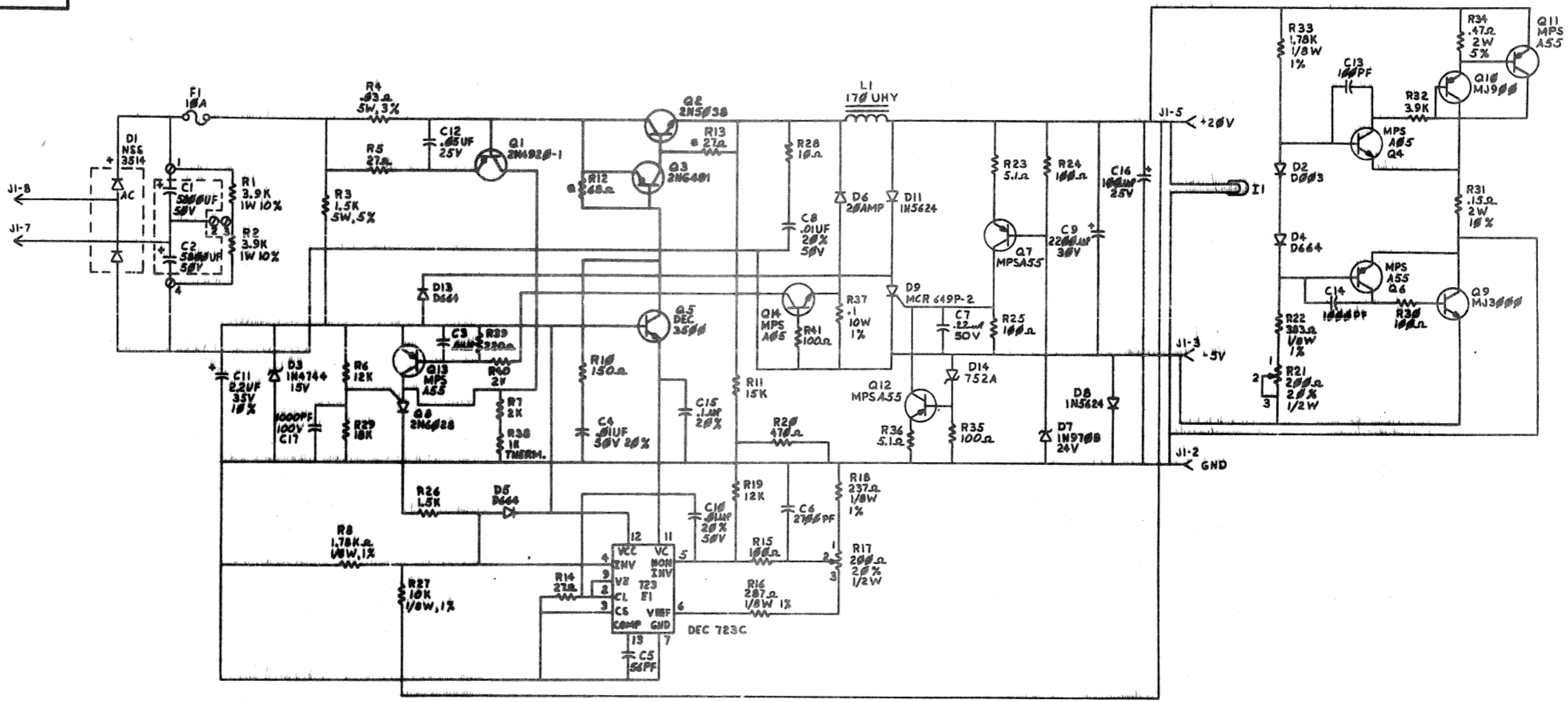
|                    |              |        |        |     |
|--------------------|--------------|--------|--------|-----|
| TITLE              | SHEET 3 OF 3 | SIZE   | NUMBER | REV |
| +20 VOLT REGULATOR | B DD         | H754-β |        | B   |

DIB 107  
405



THIS DRAWING AND SPECIFICATIONS HEREIN ARE THE PROPERTY OF DIGITAL EQUIPMENT CORPORATION AND SHALL NOT BE REPRODUCED OR COPIED IN WHOLE OR IN PART AS THE BASIS FOR THE MANUFACTURE OR SALE OF ITEMS WITHOUT WRITTEN PERMISSION. COPYRIGHT © 1972, DIGITAL EQUIPMENT CORPORATION.

D CS H754-0-1 2



\* FUSIBLE RESISTOR

|                         |              |                    |                    |                      |                          |
|-------------------------|--------------|--------------------|--------------------|----------------------|--------------------------|
| DRW. NO. H754-0-1-20-72 | REV. 2       | DATE 2-7-72        | DESIGNER R. BOSTON | DATE 5-7-73          | TITLE +20 VOLT REGULATOR |
| CHK'D R. BOSTON         | DATE 2-7-72  | DESIGNER R. BOSTON | DATE 5-7-73        | PROJ. ENG. R. BOSTON | DATE 5-9-73              |
| PROJ. ENG. R. BOSTON    | DATE 5-7-73  | PROJ. L. RAPPAPORT | DATE 5-9-73        | NEXT HIGHER ASSY.    |                          |
| SCALE 1:1               | SIZE 3.5x5.5 | ORIGIN D CS        | REVISION H754-0-1  | REV. U               |                          |
| SHEET 2 OF 2            | DIST.        |                    |                    |                      |                          |

D CS H754-0-1 U