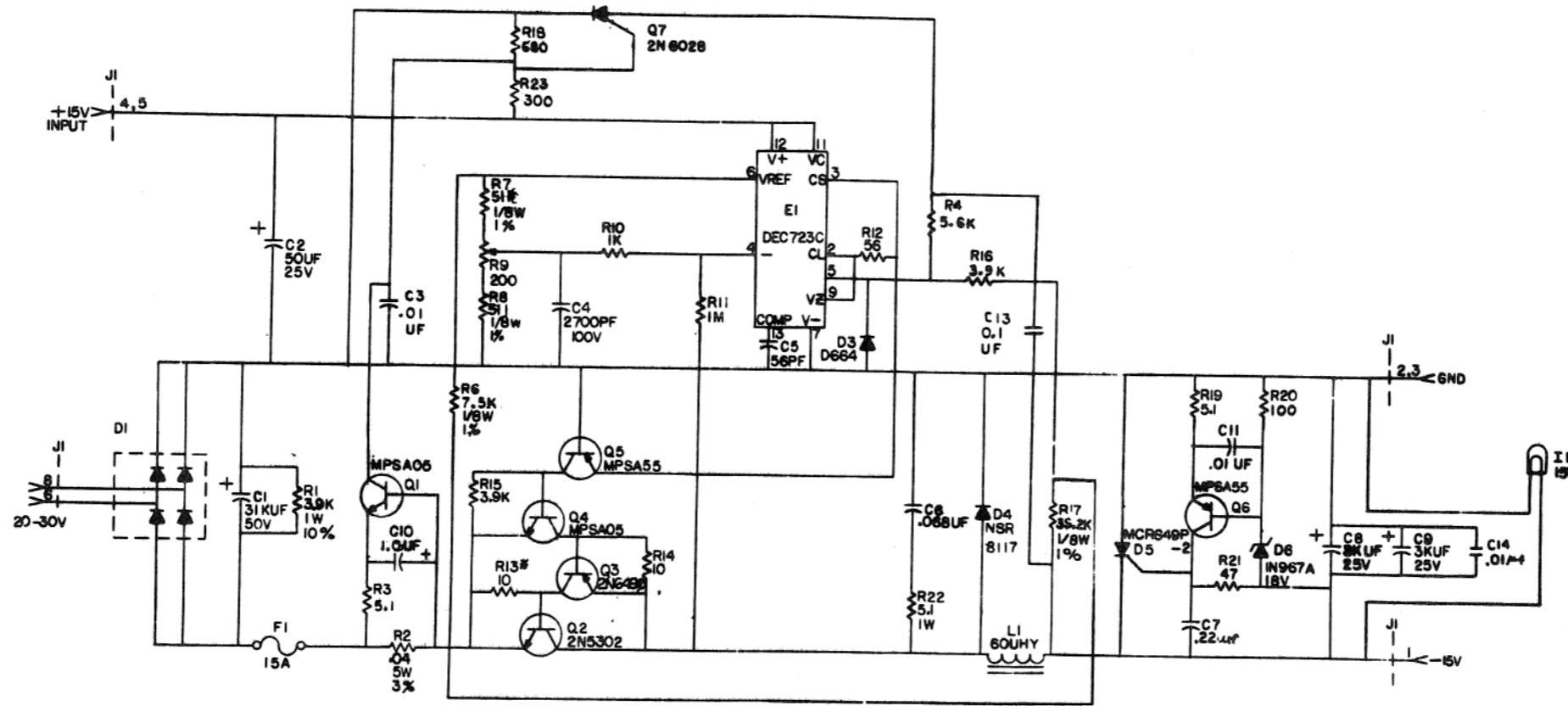






This drawing and specifications, herein, are the property of Digital Equipment Corporation and shall not be reproduced or used in whole or in part as the basis for the manufacture or sale of items without written permission. COPYRIGHT © 1974. DIGITAL EQUIP. CORP., MAYNARD, MASS.

1-0-572H 2



\* FUSIBLE  
UNLESS OTHERWISE INDICATED:  
RESISTORS = 1/4W, 5%

QTY	REF DESIGNATION	DESCRIPTION	PART NO.	ITEM NO.
PARTS LIST				
	ETCH BOARD REV	E		
	D664	IN 3606	D45H8	
	NSR 8117		2N 6026	
	MCR 849P - 2			
	IN 967A	SAME		
	2N 5302			
	MPS A05			
	MPS A55			
	DEC NO.	EIA NO.	DEC NO.	EIA NO.
SEMICONDUCTOR CONVERSION CHART				
SCALE			DCS H745 -0-1	
SHEET			OF	

-15V REG.

