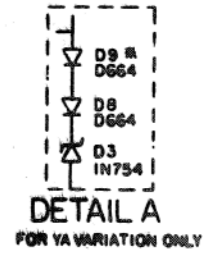
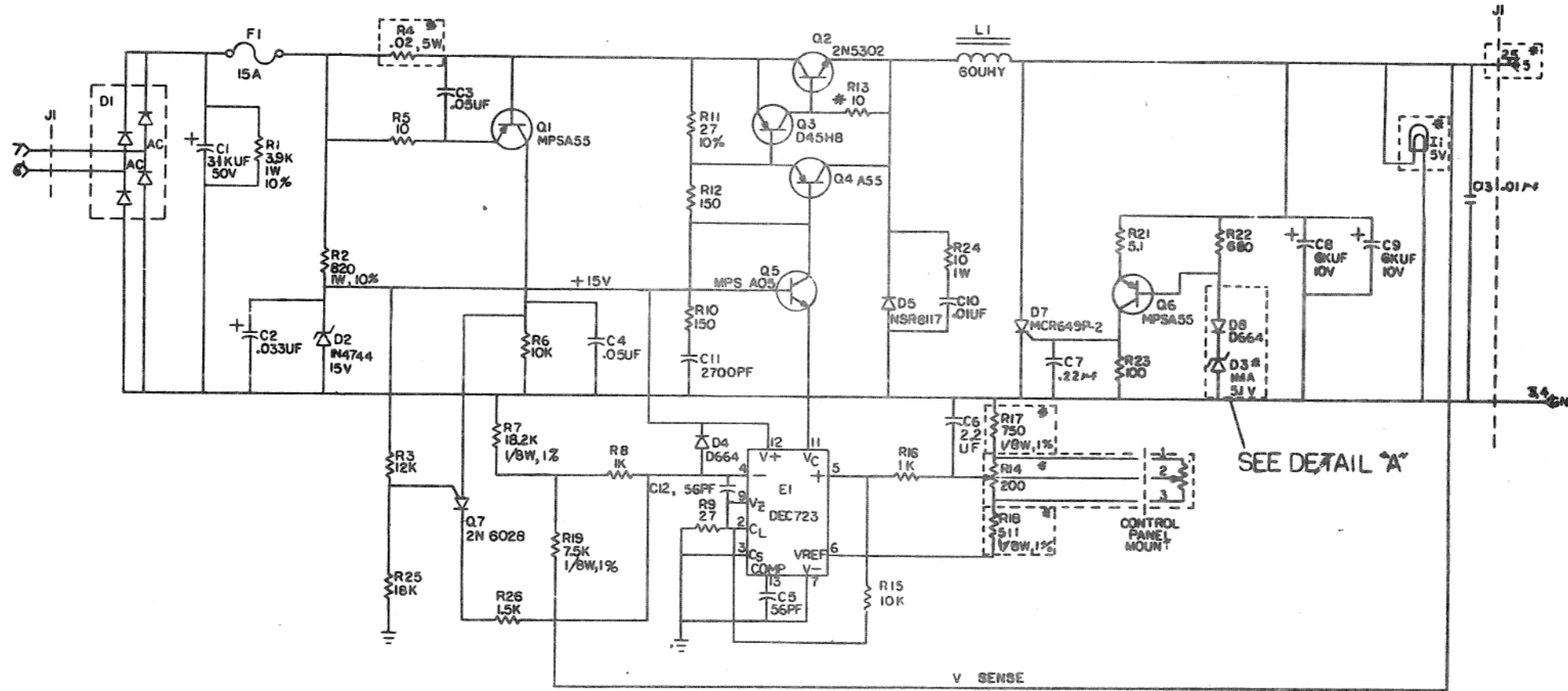


This drawing and specifications herein are the property of the Department of Defense and shall not be reproduced or copied or used in whole or in part in any form or by any means without the express written permission of the Department of Defense.



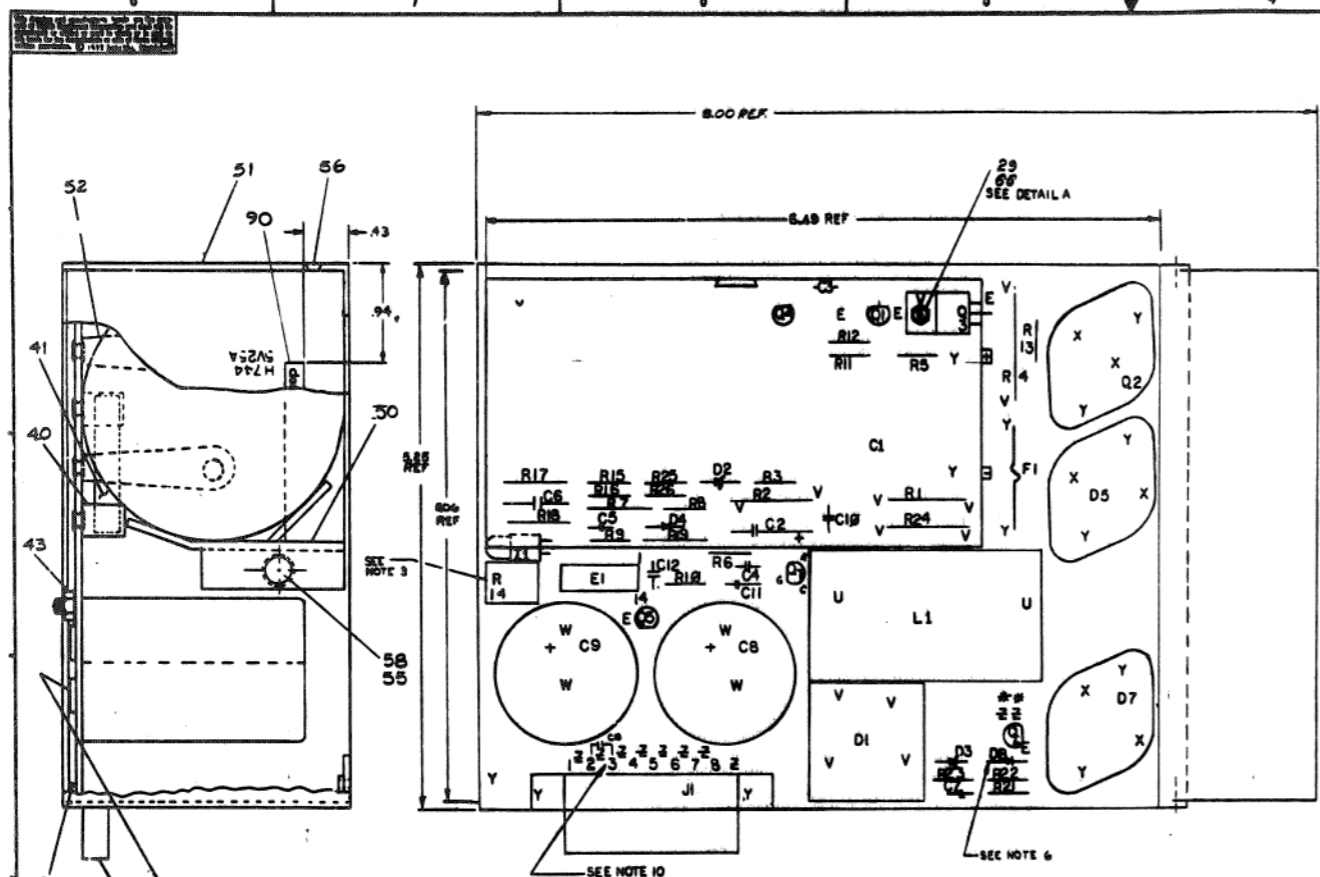
*FUSIBLE RESISTOR

FOR YA VARIATION COMPONENT VALUES ARE AS FOLLOWS:
 R4 - .06 5W
 R14 - 1K 10 TURN
 R17 - 300 1/8W 1%
 R18 - 150 1/4W 5%
 D3 - IN754
 I1 - 15V
 J1-2,5 - +2.0-8.0V
 * D9 - D664 ADDED FOR YA VARIATION ONLY

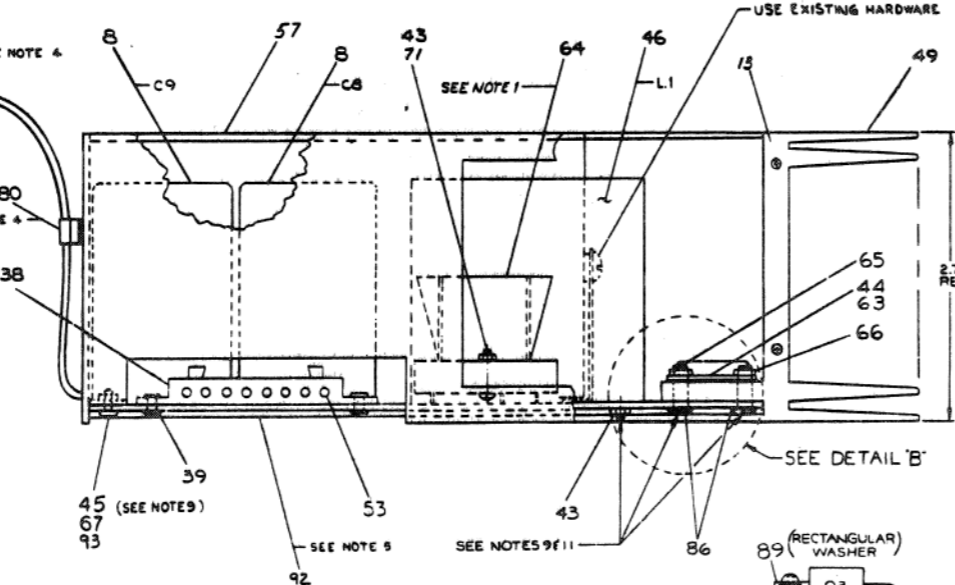
UNLESS OTHERWISE INDICATED:
 RESISTORS ARE 1/4W, 5%

REV	DATE	BY	CHK	DESCRIPTION
1	12-17-71	D. MARTEL		INITIAL DESIGN
2	1-12-72	A. BARON		REVISED FOR Y.A. VARIATION
3	2-1-72	A. BARON		REVISED FOR Y.A. VARIATION
4	2-1-72	A. BARON		REVISED FOR Y.A. VARIATION
5	2-1-72	A. BARON		REVISED FOR Y.A. VARIATION
6	2-1-72	A. BARON		REVISED FOR Y.A. VARIATION
7	2-1-72	A. BARON		REVISED FOR Y.A. VARIATION
8	2-1-72	A. BARON		REVISED FOR Y.A. VARIATION
9	2-1-72	A. BARON		REVISED FOR Y.A. VARIATION
10	2-1-72	A. BARON		REVISED FOR Y.A. VARIATION
11	2-1-72	A. BARON		REVISED FOR Y.A. VARIATION
12	2-1-72	A. BARON		REVISED FOR Y.A. VARIATION
13	2-1-72	A. BARON		REVISED FOR Y.A. VARIATION
14	2-1-72	A. BARON		REVISED FOR Y.A. VARIATION
15	2-1-72	A. BARON		REVISED FOR Y.A. VARIATION
16	2-1-72	A. BARON		REVISED FOR Y.A. VARIATION
17	2-1-72	A. BARON		REVISED FOR Y.A. VARIATION
18	2-1-72	A. BARON		REVISED FOR Y.A. VARIATION
19	2-1-72	A. BARON		REVISED FOR Y.A. VARIATION
20	2-1-72	A. BARON		REVISED FOR Y.A. VARIATION
21	2-1-72	A. BARON		REVISED FOR Y.A. VARIATION
22	2-1-72	A. BARON		REVISED FOR Y.A. VARIATION
23	2-1-72	A. BARON		REVISED FOR Y.A. VARIATION
24	2-1-72	A. BARON		REVISED FOR Y.A. VARIATION
25	2-1-72	A. BARON		REVISED FOR Y.A. VARIATION
26	2-1-72	A. BARON		REVISED FOR Y.A. VARIATION
27	2-1-72	A. BARON		REVISED FOR Y.A. VARIATION
28	2-1-72	A. BARON		REVISED FOR Y.A. VARIATION
29	2-1-72	A. BARON		REVISED FOR Y.A. VARIATION
30	2-1-72	A. BARON		REVISED FOR Y.A. VARIATION
31	2-1-72	A. BARON		REVISED FOR Y.A. VARIATION
32	2-1-72	A. BARON		REVISED FOR Y.A. VARIATION
33	2-1-72	A. BARON		REVISED FOR Y.A. VARIATION
34	2-1-72	A. BARON		REVISED FOR Y.A. VARIATION
35	2-1-72	A. BARON		REVISED FOR Y.A. VARIATION
36	2-1-72	A. BARON		REVISED FOR Y.A. VARIATION
37	2-1-72	A. BARON		REVISED FOR Y.A. VARIATION
38	2-1-72	A. BARON		REVISED FOR Y.A. VARIATION
39	2-1-72	A. BARON		REVISED FOR Y.A. VARIATION
40	2-1-72	A. BARON		REVISED FOR Y.A. VARIATION
41	2-1-72	A. BARON		REVISED FOR Y.A. VARIATION
42	2-1-72	A. BARON		REVISED FOR Y.A. VARIATION
43	2-1-72	A. BARON		REVISED FOR Y.A. VARIATION
44	2-1-72	A. BARON		REVISED FOR Y.A. VARIATION
45	2-1-72	A. BARON		REVISED FOR Y.A. VARIATION
46	2-1-72	A. BARON		REVISED FOR Y.A. VARIATION
47	2-1-72	A. BARON		REVISED FOR Y.A. VARIATION
48	2-1-72	A. BARON		REVISED FOR Y.A. VARIATION
49	2-1-72	A. BARON		REVISED FOR Y.A. VARIATION
50	2-1-72	A. BARON		REVISED FOR Y.A. VARIATION

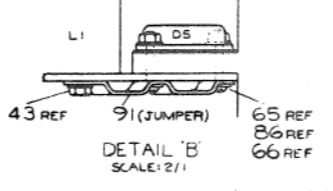
QTY	REF DESIGNATION	DESCRIPTION	PART NO.
		PARTS LIST	
		ETCH BOARD REV F H	
		EQUIPMENT CORPORATION	
		5V REGULATOR	
		DICS H744 - 2-1	



NOTES:
 3. R14 - 200Ω VARIABLE IN THIS LOCATION DELETED ONLY FOR YA VARIATION.
 4. ITEMS 79, 80, 81 ADDED ONLY FOR YA VARIATION.
 5. ITEM 72A ADDED ONLY FOR YA VARIATION.
 6. RELOCATING D8 AND ADDITION OF D9 ONLY FOR YA VARIATION.
 7. USE D9 IN YA VARIATION ONLY.



NOTES CONT:
 NOTE 8:
 (1) 3 SCREW HEAD SHOULD BE ON TOP OF (3) AT RECTANGULAR WASHER AS SHOWN. APPLY 6 INCH LBS OF TORQUE WHEN SECURING Q3 TO CRT. BOARD BEFORE SOLDERING.
 NOTE 9: TORQUE APPLICATION
 (1) APPLY 12 INCH LBS OF TORQUE TO THE SCREWHEAD OF #4 HARDWARE EXCEPT Q3.
 (2) APPLY 12 INCH LBS OF TORQUE TO #6 HARDWARE ON L1.
 (3) APPLY 16 INCH LBS OF TORQUE TO ALL #6 AND #10 HARDWARE EXCEPT ON L1.
 (4) ALL HARDWARE TO BE TORQUED BEFORE SOLDERING.
 NOTE 10:
 INSERT C13 INTO ETCH PAD HOLES CONNECTED TO J1 TERMINALS, 2-3.
 NOTE 11:
 MIN TORQUE REQUIRED FOR Q3 INSERTION:
 8 INCH LBS FOR #4 HARDWARE.
 12 INCH LBS FOR #6 AND #10 HARDWARE.
 *SEE NOTE 7



NOTES:
 1. APPLY ITEM #63 (COMPOUND) BETWEEN TRANSISTOR (Q2), DIODES (D5, D7) AND ITEM #64 (WASHER) ALSO BETWEEN ITEM #44 (WASHER) AND HEAT SINK (ITEM #9) ALSO APPLY ITEM #63 (COMPOUND) BETWEEN ITEM #9 (DIODE BRIDGE) AND ITEM #64 (HEAT SINK BRIDGE).

QTY	REF	DESCRIPTION	QTY	REF	DESCRIPTION	QTY	REF	DESCRIPTION
1	R22	RES 680 1/4W 5%	1	R1	SCR PHL PAK HD 32 X 1/4 L4	1	Q1	TRANSISTOR 2N3638
1	R23	RES 100 1/4W 5%	1	R2	SCR PHL PAK HD 32 X 1/4 L4	1	Q2	TRANSISTOR 2N3638
1	R24	RES 100 1/4W 5%	1	R3	SCR PHL PAK HD 32 X 1/4 L4	1	Q3	TRANSISTOR 2N3638
1	R25	RES 100 1/4W 5%	1	R4	SCR PHL PAK HD 32 X 1/4 L4	1	Q4	TRANSISTOR 2N3638
1	R26	RES 100 1/4W 5%	1	R5	SCR PHL PAK HD 32 X 1/4 L4	1	Q5	TRANSISTOR 2N3638
1	R27	RES 100 1/4W 5%	1	R6	SCR PHL PAK HD 32 X 1/4 L4	1	Q6	TRANSISTOR 2N3638
1	R28	RES 100 1/4W 5%	1	R7	SCR PHL PAK HD 32 X 1/4 L4	1	Q7	TRANSISTOR 2N3638
1	R29	RES 100 1/4W 5%	1	R8	SCR PHL PAK HD 32 X 1/4 L4	1	Q8	TRANSISTOR 2N3638
1	R30	RES 100 1/4W 5%	1	R9	SCR PHL PAK HD 32 X 1/4 L4	1	Q9	TRANSISTOR 2N3638
1	R31	RES 100 1/4W 5%	1	R10	SCR PHL PAK HD 32 X 1/4 L4	1	Q10	TRANSISTOR 2N3638
1	R32	RES 100 1/4W 5%	1	R11	SCR PHL PAK HD 32 X 1/4 L4	1	Q11	TRANSISTOR 2N3638
1	R33	RES 100 1/4W 5%	1	R12	SCR PHL PAK HD 32 X 1/4 L4	1	Q12	TRANSISTOR 2N3638
1	R34	RES 100 1/4W 5%	1	R13	SCR PHL PAK HD 32 X 1/4 L4	1	Q13	TRANSISTOR 2N3638
1	R35	RES 100 1/4W 5%	1	R14	SCR PHL PAK HD 32 X 1/4 L4	1	Q14	TRANSISTOR 2N3638
1	R36	RES 100 1/4W 5%	1	R15	SCR PHL PAK HD 32 X 1/4 L4	1	Q15	TRANSISTOR 2N3638
1	R37	RES 100 1/4W 5%	1	R16	SCR PHL PAK HD 32 X 1/4 L4	1	Q16	TRANSISTOR 2N3638
1	R38	RES 100 1/4W 5%	1	R17	SCR PHL PAK HD 32 X 1/4 L4	1	Q17	TRANSISTOR 2N3638
1	R39	RES 100 1/4W 5%	1	R18	SCR PHL PAK HD 32 X 1/4 L4	1	Q18	TRANSISTOR 2N3638
1	R40	RES 100 1/4W 5%	1	R19	SCR PHL PAK HD 32 X 1/4 L4	1	Q19	TRANSISTOR 2N3638
1	R41	RES 100 1/4W 5%	1	R20	SCR PHL PAK HD 32 X 1/4 L4	1	Q20	TRANSISTOR 2N3638
1	R42	RES 100 1/4W 5%	1	R21	SCR PHL PAK HD 32 X 1/4 L4	1	Q21	TRANSISTOR 2N3638
1	R43	RES 100 1/4W 5%	1	R22	SCR PHL PAK HD 32 X 1/4 L4	1	Q22	TRANSISTOR 2N3638
1	R44	RES 100 1/4W 5%	1	R23	SCR PHL PAK HD 32 X 1/4 L4	1	Q23	TRANSISTOR 2N3638
1	R45	RES 100 1/4W 5%	1	R24	SCR PHL PAK HD 32 X 1/4 L4	1	Q24	TRANSISTOR 2N3638
1	R46	RES 100 1/4W 5%	1	R25	SCR PHL PAK HD 32 X 1/4 L4	1	Q25	TRANSISTOR 2N3638
1	R47	RES 100 1/4W 5%	1	R26	SCR PHL PAK HD 32 X 1/4 L4	1	Q26	TRANSISTOR 2N3638
1	R48	RES 100 1/4W 5%	1	R27	SCR PHL PAK HD 32 X 1/4 L4	1	Q27	TRANSISTOR 2N3638
1	R49	RES 100 1/4W 5%	1	R28	SCR PHL PAK HD 32 X 1/4 L4	1	Q28	TRANSISTOR 2N3638
1	R50	RES 100 1/4W 5%	1	R29	SCR PHL PAK HD 32 X 1/4 L4	1	Q29	TRANSISTOR 2N3638
1	R51	RES 100 1/4W 5%	1	R30	SCR PHL PAK HD 32 X 1/4 L4	1	Q30	TRANSISTOR 2N3638
1	R52	RES 100 1/4W 5%	1	R31	SCR PHL PAK HD 32 X 1/4 L4	1	Q31	TRANSISTOR 2N3638
1	R53	RES 100 1/4W 5%	1	R32	SCR PHL PAK HD 32 X 1/4 L4	1	Q32	TRANSISTOR 2N3638
1	R54	RES 100 1/4W 5%	1	R33	SCR PHL PAK HD 32 X 1/4 L4	1	Q33	TRANSISTOR 2N3638
1	R55	RES 100 1/4W 5%	1	R34	SCR PHL PAK HD 32 X 1/4 L4	1	Q34	TRANSISTOR 2N3638
1	R56	RES 100 1/4W 5%	1	R35	SCR PHL PAK HD 32 X 1/4 L4	1	Q35	TRANSISTOR 2N3638
1	R57	RES 100 1/4W 5%	1	R36	SCR PHL PAK HD 32 X 1/4 L4	1	Q36	TRANSISTOR 2N3638
1	R58	RES 100 1/4W 5%	1	R37	SCR PHL PAK HD 32 X 1/4 L4	1	Q37	TRANSISTOR 2N3638
1	R59	RES 100 1/4W 5%	1	R38	SCR PHL PAK HD 32 X 1/4 L4	1	Q38	TRANSISTOR 2N3638
1	R60	RES 100 1/4W 5%	1	R39	SCR PHL PAK HD 32 X 1/4 L4	1	Q39	TRANSISTOR 2N3638
1	R61	RES 100 1/4W 5%	1	R40	SCR PHL PAK HD 32 X 1/4 L4	1	Q40	TRANSISTOR 2N3638
1	R62	RES 100 1/4W 5%	1	R41	SCR PHL PAK HD 32 X 1/4 L4	1	Q41	TRANSISTOR 2N3638
1	R63	RES 100 1/4W 5%	1	R42	SCR PHL PAK HD 32 X 1/4 L4	1	Q42	TRANSISTOR 2N3638
1	R64	RES 100 1/4W 5%	1	R43	SCR PHL PAK HD 32 X 1/4 L4	1	Q43	TRANSISTOR 2N3638
1	R65	RES 100 1/4W 5%	1	R44	SCR PHL PAK HD 32 X 1/4 L4	1	Q44	TRANSISTOR 2N3638
1	R66	RES 100 1/4W 5%	1	R45	SCR PHL PAK HD 32 X 1/4 L4	1	Q45	TRANSISTOR 2N3638
1	R67	RES 100 1/4W 5%	1	R46	SCR PHL PAK HD 32 X 1/4 L4	1	Q46	TRANSISTOR 2N3638
1	R68	RES 100 1/4W 5%	1	R47	SCR PHL PAK HD 32 X 1/4 L4	1	Q47	TRANSISTOR 2N3638
1	R69	RES 100 1/4W 5%	1	R48	SCR PHL PAK HD 32 X 1/4 L4	1	Q48	TRANSISTOR 2N3638
1	R70	RES 100 1/4W 5%	1	R49	SCR PHL PAK HD 32 X 1/4 L4	1	Q49	TRANSISTOR 2N3638
1	R71	RES 100 1/4W 5%	1	R50	SCR PHL PAK HD 32 X 1/4 L4	1	Q50	TRANSISTOR 2N3638
1	R72	RES 100 1/4W 5%	1	R51	SCR PHL PAK HD 32 X 1/4 L4	1	Q51	TRANSISTOR 2N3638
1	R73	RES 100 1/4W 5%	1	R52	SCR PHL PAK HD 32 X 1/4 L4	1	Q52	TRANSISTOR 2N3638
1	R74	RES 100 1/4W 5%	1	R53	SCR PHL PAK HD 32 X 1/4 L4	1	Q53	TRANSISTOR 2N3638
1	R75	RES 100 1/4W 5%	1	R54	SCR PHL PAK HD 32 X 1/4 L4	1	Q54	TRANSISTOR 2N3638
1	R76	RES 100 1/4W 5%	1	R55	SCR PHL PAK HD 32 X 1/4 L4	1	Q55	TRANSISTOR 2N3638
1	R77	RES 100 1/4W 5%	1	R56	SCR PHL PAK HD 32 X 1/4 L4	1	Q56	TRANSISTOR 2N3638
1	R78	RES 100 1/4W 5%	1	R57	SCR PHL PAK HD 32 X 1/4 L4	1	Q57	TRANSISTOR 2N3638
1	R79	RES 100 1/4W 5%	1	R58	SCR PHL PAK HD 32 X 1/4 L4	1	Q58	TRANSISTOR 2N3638
1	R80	RES 100 1/4W 5%	1	R59	SCR PHL PAK HD 32 X 1/4 L4	1	Q59	TRANSISTOR 2N3638
1	R81	RES 100 1/4W 5%	1	R60	SCR PHL PAK HD 32 X 1/4 L4	1	Q60	TRANSISTOR 2N3638
1	R82	RES 100 1/4W 5%	1	R61	SCR PHL PAK HD 32 X 1/4 L4	1	Q61	TRANSISTOR 2N3638
1	R83	RES 100 1/4W 5%	1	R62	SCR PHL PAK HD 32 X 1/4 L4	1	Q62	TRANSISTOR 2N3638
1	R84	RES 100 1/4W 5%	1	R63	SCR PHL PAK HD 32 X 1/4 L4	1	Q63	TRANSISTOR 2N3638
1	R85	RES 100 1/4W 5%	1	R64	SCR PHL PAK HD 32 X 1/4 L4	1	Q64	TRANSISTOR 2N3638
1	R86	RES 100 1/4W 5%	1	R65	SCR PHL PAK HD 32 X 1/4 L4	1	Q65	TRANSISTOR 2N3638
1	R87	RES 100 1/4W 5%	1	R66	SCR PHL PAK HD 32 X 1/4 L4	1	Q66	TRANSISTOR 2N3638
1	R88	RES 100 1/4W 5%	1	R67	SCR PHL PAK HD 32 X 1/4 L4	1	Q67	TRANSISTOR 2N3638
1	R89	RES 100 1/4W 5%	1	R68	SCR PHL PAK HD 32 X 1/4 L4	1	Q68	TRANSISTOR 2N3638
1	R90	RES 100 1/4W 5%	1	R69	SCR PHL PAK HD 32 X 1/4 L4	1	Q69	TRANSISTOR 2N3638
1	R91	RES 100 1/4W 5%	1	R70	SCR PHL PAK HD 32 X 1/4 L4	1	Q70	TRANSISTOR 2N3638
1	R92	RES 100 1/4W 5%	1	R71	SCR PHL PAK HD 32 X 1/4 L4	1	Q71	TRANSISTOR 2N3638
1	R93	RES 100 1/4W 5%	1	R72	SCR PHL PAK HD 32 X 1/4 L4	1	Q72	TRANSISTOR 2N3638
1	R94	RES 100 1/4W 5%	1	R73	SCR PHL PAK HD 32 X 1/4 L4	1	Q73	TRANSISTOR 2N3638
1	R95	RES 100 1/4W 5%	1	R74	SCR PHL PAK HD 32 X 1/4 L4	1	Q74	TRANSISTOR 2N3638
1	R96	RES 100 1/4W 5%	1	R75	SCR PHL PAK HD 32 X 1/4 L4	1	Q75	TRANSISTOR 2N3638
1	R97	RES 100 1/4W 5%	1	R76	SCR PHL PAK HD 32 X 1/4 L4	1	Q76	TRANSISTOR 2N3638
1	R98	RES 100 1/4W 5%	1	R77	SCR PHL PAK HD 32 X 1/4 L4	1	Q77	TRANSISTOR 2N3638
1	R99	RES 100 1/4W 5%	1	R78	SCR PHL PAK HD 32 X 1/4 L4	1	Q78	TRANSISTOR 2N3638
1	R100	RES 100 1/4W 5%	1	R79	SCR PHL PAK HD 32 X 1/4 L4	1	Q79	TRANSISTOR 2N3638
1	R101	RES 100 1/4W 5%	1	R80	SCR PHL PAK HD 32 X 1/4 L4	1	Q80	TRANSISTOR 2N3638
1	R102	RES 100 1/4W 5%	1	R81	SCR PHL PAK HD 32 X 1/4 L4	1	Q81	TRANSISTOR 2N3638
1	R103	RES 100 1/4W 5%	1	R82	SCR PHL PAK HD 32 X 1/4 L4	1	Q82	TRANSISTOR 2N3638
1	R104	RES 100 1/4W 5%	1	R83	SCR PHL PAK HD 32 X 1/4 L4	1	Q83	TRANSISTOR 2N3638
1	R105	RES 100 1/4W 5%	1	R84	SCR PHL PAK HD 32 X 1/4 L4	1	Q84	TRANSISTOR 2N3638
1	R106	RES 100 1/4W 5%	1	R85	SCR PHL PAK HD 32 X 1/4 L4	1	Q85	TRANSISTOR 2N3638
1	R107	RES 100 1/4W 5%	1	R86	SCR PHL PAK HD 32 X 1/4 L4	1	Q86	TRANSISTOR 2N3638
1	R108	RES 100 1/4W 5%	1	R87	SCR PHL PAK HD 32 X 1/4 L4	1	Q87	TRANSISTOR 2N3638
1	R109	RES 100 1/4W 5%	1	R88	SCR PHL PAK HD 32 X 1/4 L4	1	Q88	TRANSISTOR 2N3638
1	R110	RES 100 1/4W 5%	1	R89	SCR PHL PAK HD 32 X 1/4 L4	1	Q89	TRANSISTOR 2N3638
1	R111	RES 100 1/4W 5%	1	R90	SCR PHL PAK HD 32 X 1/4 L4	1	Q90	TRANSISTOR 2N3638
1	R112	RES 100 1/4W 5%	1	R91	SCR PHL PAK HD 32 X 1/4 L4	1	Q91	TRANSISTOR 2N3638
1	R113	RES 100 1/4W 5%	1	R92	SCR PHL PAK HD 32 X 1/4 L4	1	Q92	TRANSISTOR 2N3638
1	R114	RES 100 1/4W 5%	1	R93	SCR PHL PAK HD 32 X 1/4 L4	1	Q93	TRANSISTOR 2N3638
1	R115	RES 100 1/4W 5%	1	R94	SCR PHL PAK HD 32 X 1/4 L4	1	Q94	TRANSISTOR 2N3638
1	R116	RES 100 1/4W 5%	1	R95	SCR PHL PAK HD 32 X 1/4 L4	1	Q95	TRANSISTOR 2N3638
1	R117	RES 100 1/4W 5%	1	R96	SCR PHL PAK HD 32 X 1/4 L4	1	Q96	TRANSISTOR 2N3638
1	R118	RES 100 1/4W 5%	1	R97	SCR PHL PAK HD 32 X 1/4 L4	1	Q97	TRANSISTOR 2N3638
1	R119	RES 100 1/4W 5%	1	R98	SCR PHL PAK HD 32 X 1/4 L4	1	Q98	TRANSISTOR 2N3638
1	R120	RES 100 1/4W 5%	1	R99	SCR PHL PAK HD 32 X 1/4 L4	1	Q99	TRANSISTOR 2N3638
1	R121	RES 100 1/4W 5%	1	R100	SCR PHL PAK HD 32 X 1/4 L4	1	Q100	TRANSISTOR 2N3638

QTY	REF	DESCRIPTION	QTY	REF	DESCRIPTION
1	R22	RES 680 1/4W 5%	1	R1	SCR PHL PAK HD 32 X 1/4 L4
1	R23	RES 100 1/4W 5%	1	R2	SCR PHL PAK HD 32 X 1/4 L4
1	R24	RES 100 1/4W 5%	1	R3	SCR PHL PAK HD 32 X 1/4 L4
1	R25	RES 100 1/4W 5%	1	R4	SCR PHL PAK HD 32 X 1/4 L4
1	R26	RES 100 1/4W 5%	1	R5	SCR PHL PAK HD 32 X 1/4 L4
1	R27	RES 100 1/			