

CONNECTION TABLE			CONNECTION TABLE		
FROM CONNECTION	TO CONNECTION	SIGNALS	FROM CONNECTION	TO CONNECTION	SIGNALS
P2 FROM TRANS. ASSY	J2 FROM +15V REG.	28 VAC	P4 FROM +15V REG.	J2 LOCATED ON PWR DIST. BD	-15V, LTC L, AC LO LPJC LO L, GND
J16 FROM PWR. DIST. BD.	P16 LOCATED ON REG. #4 (H764)	GND, -5V, +20V, 28 VAC			
J15 FROM PWR. DIST. BD.	P15 LOCATED ON REG. #3 (H744)	GND, +5V, 28VAC			
J14 FROM PWR. DIST. BD.	P14 LOCATED ON REG. #2 (H744)	GND, +5V, 28VAC	P5 FROM TRANS. 7.55V	J5 LOCATED ON AC INPUT BOX	120/240 VAC
J13 FROM PWR. DIST. BD.	P13 LOCATED ON REG. #1 (H745)	GND, +15V, -15V, 28 VAC	P7 (RED)	FAN #1 - A	120 VAC - HOT
GND LUG LOCATED ON PWR. DIST. BD. G3	G1 YEL LUG.	SAFETY GROUND	P8 (WHT)	FAN #1 - B	120 VAC - NEUTRAL
P1 FROM TRANS. ASSY	J1 LOCATED ON PWR. DIST. BD.	28 VAC	P9 (RED)	FAN #2 - A	120 VAC - HOT
			P10 (WHT)	FAN #2 - B	120 VAC - NEUTRAL
			T1 - G	G1	SAFETY GROUND
			G1	G2	ITEM 55

- COMMON SIGNAL NAMES FOR 6 PIN AND 15-PIN MATE-N-LOKS ON POWER DISTRIBUTION BOARD
- | | |
|-------------|--------------|
| 6 - PIN | 15 - PIN |
| 1 - GND | 1 - +5V |
| 2 - LTC L | 2 - +15V |
| 3 - DC LO L | 3 - +20V |
| 4 - AC LO L | 4 - +5V |
| 5 - SPARE 4 | 5 - GND |
| 6 - SPARE 5 | 6 - SPARE 1 |
| | 7 - GND |
| | 8 - GND |
| | 9 - GND |
| | 10 - SPARE 2 |
| | 11 - GND |
| | 12 - SPARE 3 |
| | 13 - -15V |
| | 14 - -5V |
| | 15 - SPARE 3 |

REMOTE POWER CONTROL
1-3 : ON
2-3 : OFF

CPU CONSOLE POWER SWITCH
1-3 : ON

REVISIONS

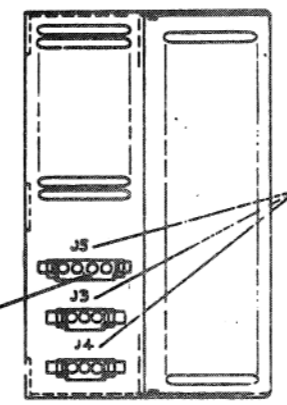
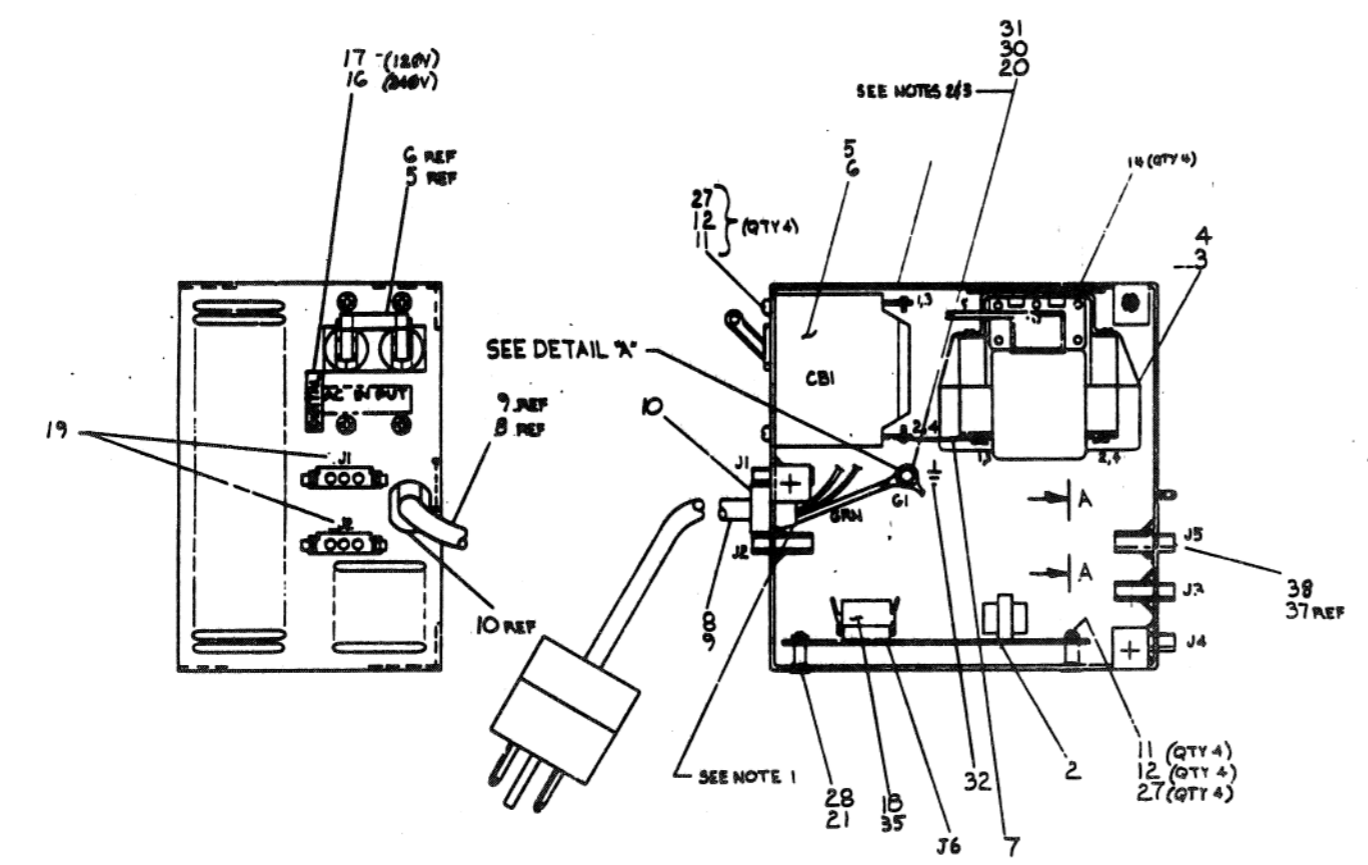
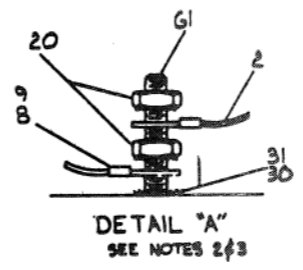
NO.	DESCRIPTION	DATE
1	ISSUED FOR PRODUCTION	7-20-77

NOTES:

1. LEAVE .5IN ±.2IN OF OUTER INSULATION OF LINE CORD INSIDE BOX.
2. REMOVE PAINT MASK FROM G1 ONLY AND APPLY CONDUCTIVE GREASE TO AREA AROUND STUD G1 BEFORE INSTALLING ITEMS 31 (LOCKWASHER), LUG ON GRN/YEL WIRE AND 20 (KEPNUT).
3. ENSURE THAT LUG CONNECTED TO GRN/YEL WIRE FROM LINE CORD, WASHER ITEM 31, AND KEPNUT ITEM 20 ARE THE FIRST ITEMS INSTALLED ON G1. SEE DETAIL "A".
4. STRIP LENGTH FOR ITEM 29 AND ITEM 29 SHALL BE .250 ± .015.
5. STRIP LENGTH FOR ITEM 37
 - A. HAND CRIMP .187 ± .015
 - B. AUTOMATIC STRIP .158 ± .015
6. STRIP LENGTH FOR ITEM 35
 - A. HAND CRIMP .203 ± .015
 - B. AUTOMATIC STRIP .182 ± .015

LEGEND

NUMBER	VARIATION
7014420-1	120V 4T-62HE 1EA
7014420-2	240V 4T-62HE 1EA



QTY	DESCRIPTION	QTY	DESCRIPTION	QTY	DESCRIPTION
1	CONN 4 PIN	1209350-04	38		
4	SOCKET MATE-N-LOCK	1209379	37		
1	TERM BLK MATE	9007928	36		
4	CONNECTOR SOCKET	121170-00	35		
WR/W	WIRE #18 BRN	9107350-11	34		
WR/W	WIRE #18 BLU	9107350-66	33		
1	DECAL SAFETY GROUND	A-DC-302680-01	32		
1	WASHER EXT TOOTH #8	9008072	31		
WR/W	GREASE CONDUCTIVE	4901175-01	30		
3	TERMINAL RED RING	9007930	29		
4	SCR PH FL HD 6-32 X 1/4	9006020-02	28		
8	WASHER FLAT 6	9006656	27		
PREP	A.C. INPUT BOX ASSEMBLY PROCEDURE	4SP-7014420-04	26		
PREP	TESTER PARTS LIST	A-PL-7009811-70-0	25		
PREP	TESTER TEST PROCEDURE	A-SF-7009811-0-0	24		
PREP	TESTER U.A.	A-UA-7009811-0-0	23		
PREP	TESTER C.S.	A-CS-7009811-0-0	22		
4	SPACER 2-32 X 3/4"	9005844	21		
2	NUT KEPS #8-32	9006303	20		
1	DECAL	A-DC-7409813-12	19		
1	CONNECTOR 4 PIN	1212167-01	18		
1	DECAL 120V 4T-62 HE 1EA	A-DC-7412305-1	17		
1	DECAL 240V 4T-62 HE 1EA	A-DC-7412306-1	16		
4	SCR PH FL HD 4-40 X 1/4	9000039-06	15		
8	WASHER INT TOOTH #6	9006633	14		
8	SCR PH FL HD #6-32 X 1/4	9006020-01	13		
1	STRAIN RELIEF	1008904	12		
1	POWER CORD 240V	D-AD-7012903-1	11		
1	POWER CORD 120V	D-AD-7012900-0	10		
2	JUMPER STRIP	1214074-32	9		
1	CIRCUIT BREAKER 15A	1212124-35	8		
1	CIRCUIT BREAKER 25A	1212124-35	7		
1	CONTACTOR 240V	1214283-01	6		
1	CONTACTOR 120V	1214253-00	5		
1	AC PWR CONTR BOARD	D-CS-7413089-0-1	4		
1	CHASSIS COMP MFG	D-IA-7009812-00	3		

QUANTITY & VARIATION

7014420-1
7014420-2

DESCRIPTION

UNLESS OTHERWISE SPECIFIED DIMENSIONS ARE IN INCHES

CLASS OF ACCURACY	CLASS OF SURFACE FINISH	CLASS OF TOLERANCE	CLASS OF FINISH	CLASS OF TOLERANCE	CLASS OF FINISH
ASSEMBLY	ASSEMBLY	ASSEMBLY	ASSEMBLY	ASSEMBLY	ASSEMBLY

QUANTITY & VARIATION

DRN: 10/16/77 16-30-3

CHE'D: 2-20-77 7-20-77

ENL: 2-0-77 1-21-77

PROL: 2-0-77 1-21-77

PROD: 2-0-77 1-21-77

DO NOT SCALE DIMS

SEE PARTS LIST

SCALE: E-LA-11-65-2-C

SHEET: 2 OF 2

FIRST USED ON: H765

TITLE: AC INFUT BOX ASSY

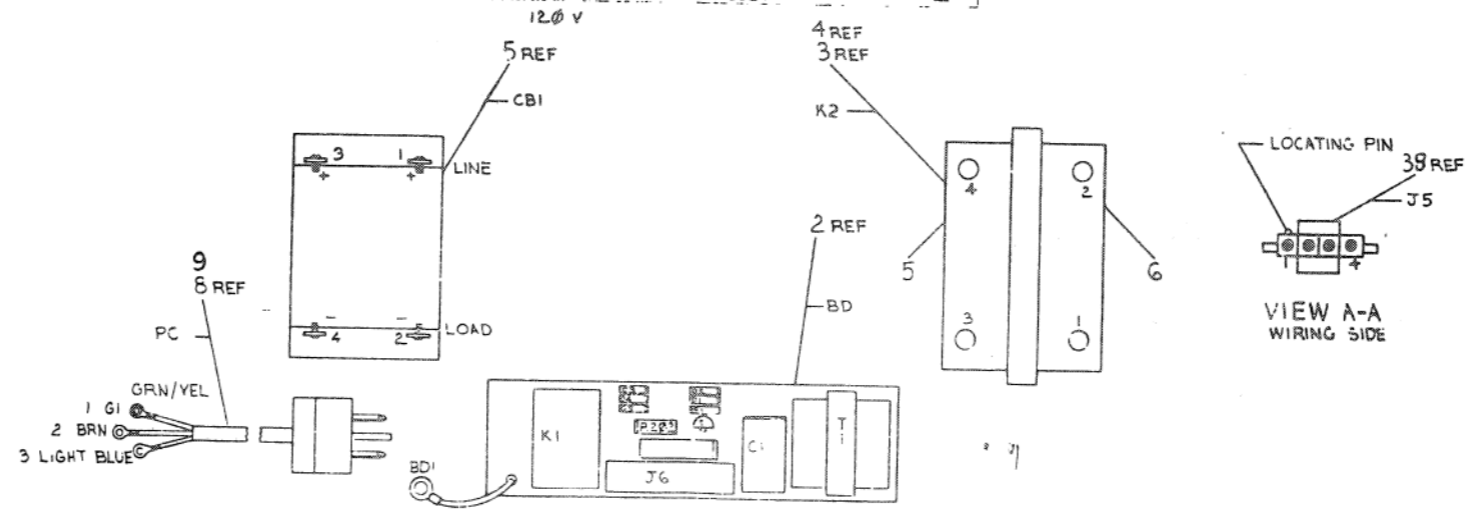
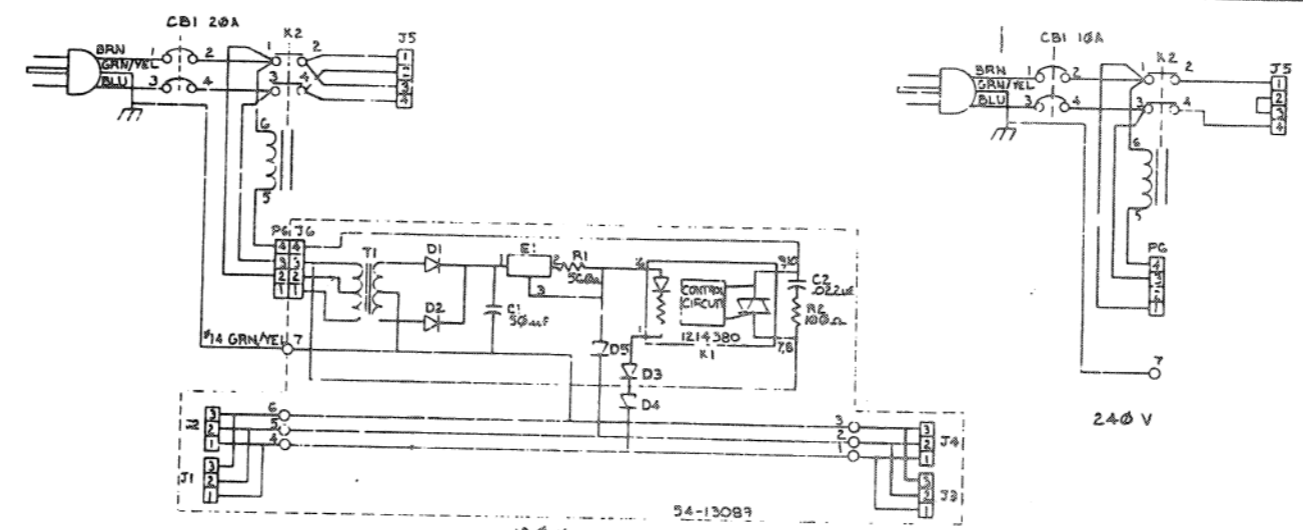
DATE: 10-08-77

REV: A

THIS DRAWING AND SPECIFICATIONS HEREIN ARE THE PROPERTY OF DIGITAL EQUIPMENT CORPORATION AND SHALL NOT BE REPRODUCED OR COPIED IN WHOLE OR IN PART AS THE BASIS FOR THE MANUFACTURE OR SALE OF ITEMS WITHOUT WRITTEN PERMISSION. COPYRIGHT © 1977 DIGITAL EQUIPMENT CORPORATION

WIRE TABLE-1 VAR 120V									
ITEM NO	AWG	COLOR	STRIP LENGTH	CONN	WITH	STRIP LENGTH	TO CONN	WITH	PRECUT WIRE LENGTH
8	14	GRN/YEL	SEE NOTE 3	PC-1			G1		
8	14	BRN		PC-2			CBI-1		
8	14	BLU		PC-3			CBI-3		
33	18	BLU	SEE NOTE 4	K2-4	36	SEE NOTE 5	J5-2	37	3.0 ± 0.25
							J5-4	37	3.0 ± 0.25
34	18	BRN	SEE NOTE 4	K2-2	36	SEE NOTE 5	J5-1	37	3.0 ± 0.25
							J5-3	37	3.0 ± 0.25
34	18	BRN	SEE NOTE 4	K2-1	36	SEE NOTE 6	PG-2	35	3.5 ± 0.25
3	18	YEL	SEE NOTE 4	K2-1			K2-6		3.5 ± 0.25
7				K2-1			CBI-2		STRAP
33	18	BLU	SEE NOTE 4	K2-3	29	SEE NOTE 6	PG-3	35	3.0 ± 0.25
7				K2-3			CBI-4		STRAP
3	18	YEL	SEE NOTE 4	K2-5		SEE NOTE 6	PG-4	35	4.75 ± 0.25
2	18	GRN/YEL	SEE NOTE 6	BD-1			G1		

WIRE TABLE-2 VAR 240V									
ITEM NO	AWG	COLOR	STRIP LENGTH	CONN	WITH	STRIP LENGTH	TO CONN	WITH	PRECUT WIRE LENGTH
9	14	GRN/YEL	SEE NOTE 3	PC-1			G1		
9	14	BRN		PC-2			CBI-1		
9	14	BLU		PC-3			CBI-3		
33	18	BLU	SEE NOTE 4	K2-4	29	SEE NOTE 5	J5-4	37	3.0 ± 0.25
34	18	BRN	SEE NOTE 4	K2-2	29	SEE NOTE 5	J5-1	37	3.0 ± 0.25
34	18	BRN	SEE NOTE 5	J5-2	37	SEE NOTE 5	J5-3	37	2.0 ± 0.25
34	18	BRN	SEE NOTE 4	K2-1	36	SEE NOTE 6	PG-1	35	3.5 ± 0.25
4	18	YEL	SEE NOTE 4	K2-1			K2-6		3.5 ± 0.25
7				K2-1			CBI-2		STRAP
33	18	BLU	SEE NOTE 4	K2-3	29	SEE NOTE 6	PG-3	35	3.0 ± 0.25
7				K2-3			CBI-4		STRAP
4	18	YEL	SEE NOTE 4	K2-5		SEE NOTE 6	PG-4	35	4.75 ± 0.25
2	18	GRN/YEL	SEE NOTE 6	BD-1			G1		

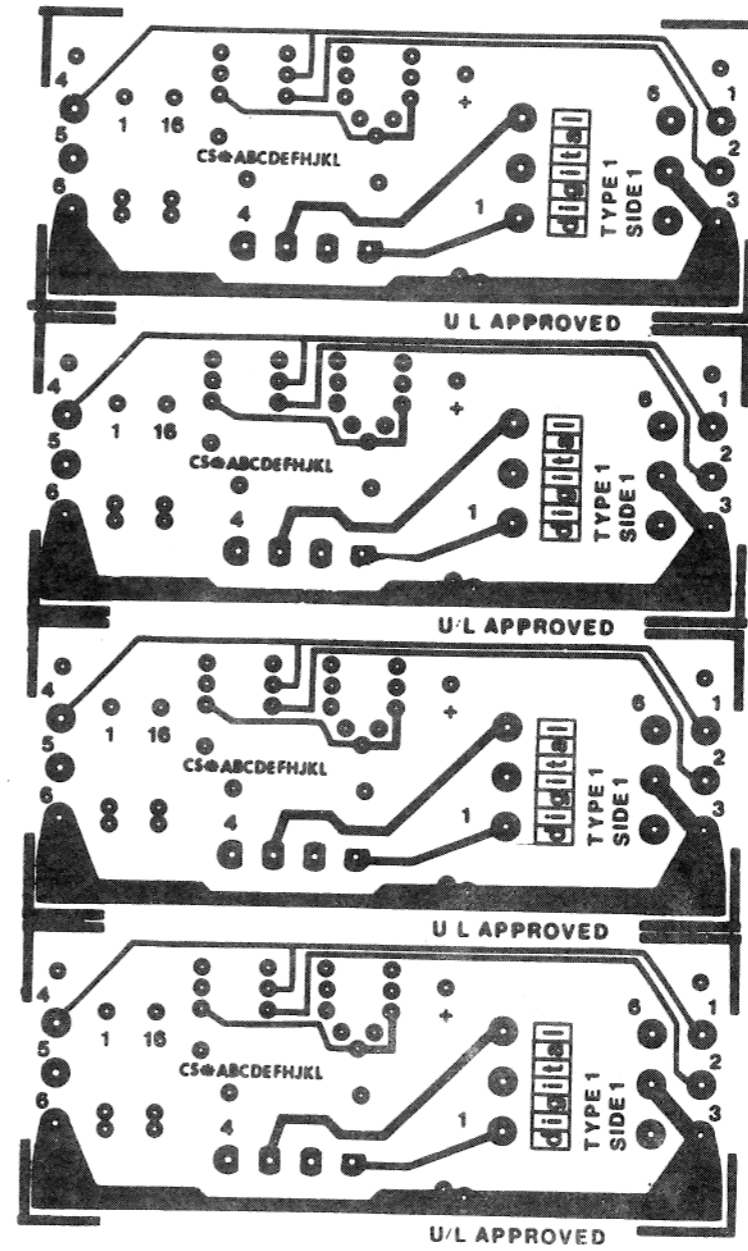
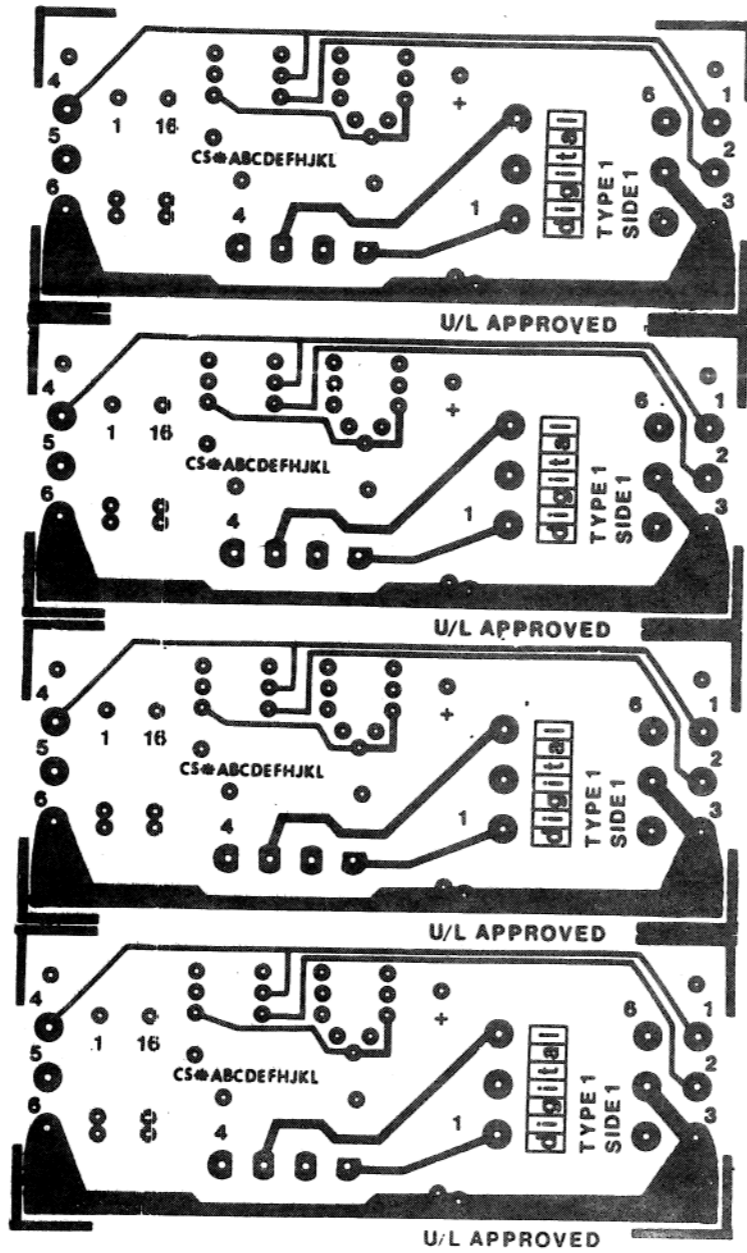


REVISIONS		
CHK	CHANGE NO.	REV.

TITLE AC INFUT BOX ASSY. SIZE CODE D AD NUMBER 7014420-0-0 REV. A



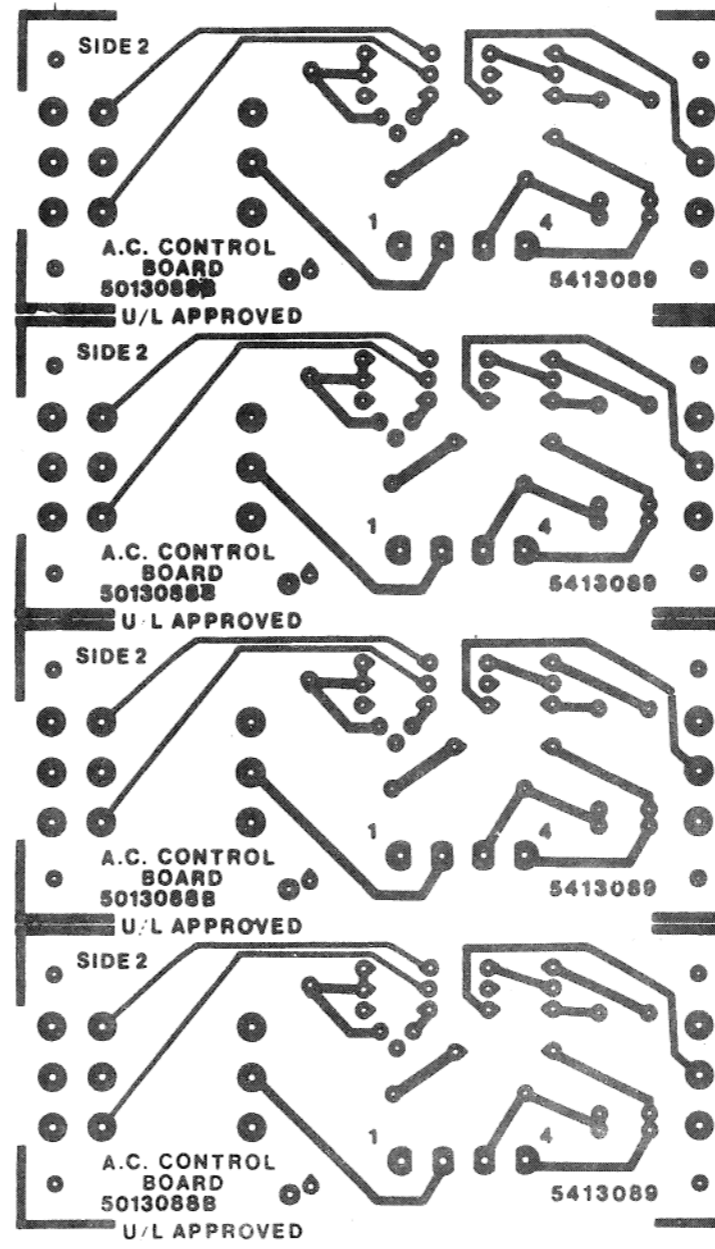
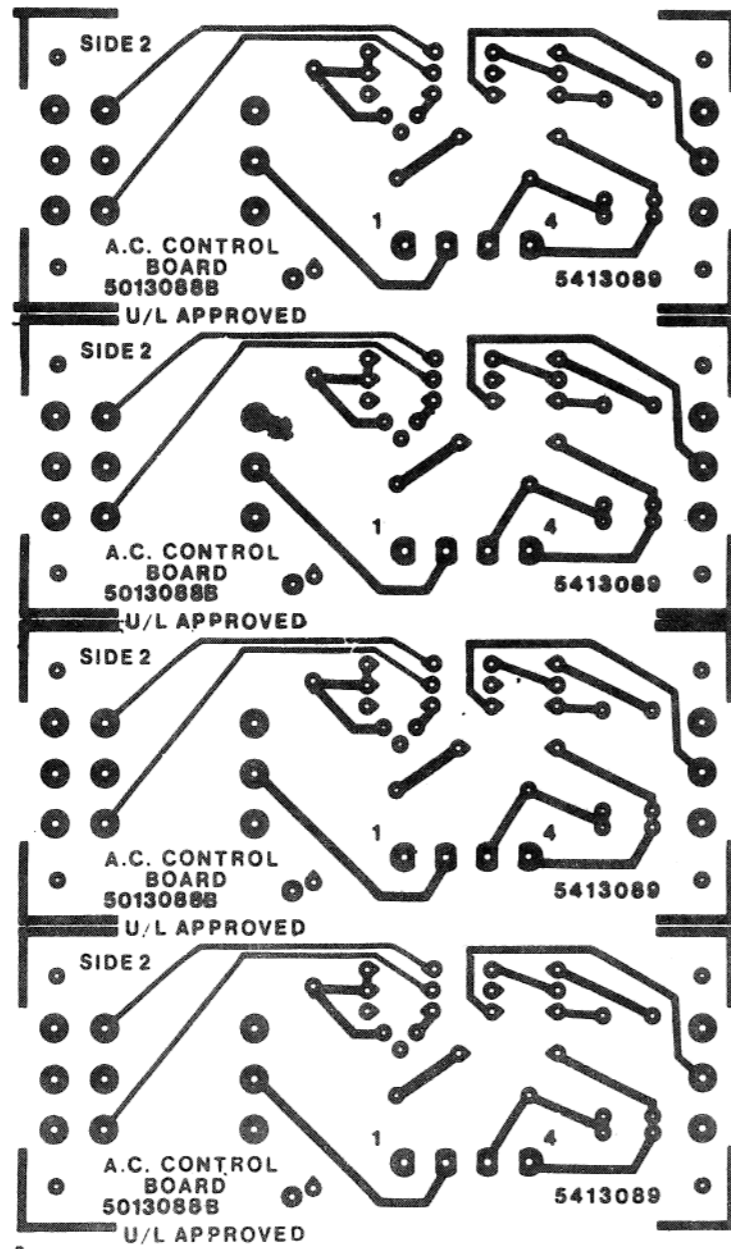
2013088 B 8880102



VIEWED FROM SIDE

391

TITLE		AC. CONTROL BOARD		REV. CODE	D UA		QUANTITY	5413089-0-0		D
SCALE	2:1	SHEET	2	OF	3	DIST				



VIEWED FROM SIDE 2

TITLE	A.C. CONTROL BOARD	REV	D	DATE	UA	NUMBER	5413089-0-0	REV	D
SCALE	2:1	SHEET	3	OF	3	DIST			