

"THE MATERIAL HEREIN IS FOR INFORMATION PURPOSES ONLY AND IS SUBJECT TO CHANGE WITHOUT NOTICE. DIGITAL EQUIPMENT CORPORATION ASSUMES NO RESPONSIBILITY FOR ANY ERRORS WHICH MAY APPEAR HEREIN."

# FIELD MAINTENANCE PRINT SET

"THIS DRAWING AND SPECIFICATIONS, HEREIN, ARE THE PROPERTY OF DIGITAL EQUIPMENT CORPORATION AND SHALL NOT BE REPRODUCED OR COPIED OR USED IN WHOLE OR IN PART AS THE BASIS FOR THE MANUFACTURE OR SALE OF ITEMS WITHOUT WRITTEN PERMISSION. COPYRIGHT © 1976 . DIGITAL EQUIPMENT CORPORATION."

## TABLE OF CONTENTS

B-TC-1134A-0-1	FIELD MAINTENANCE PRINT SET (1134A)
E-UA-1134A-0-0	UNIT ASSEMBLY (1134A)
C-PL-1134A-0-0	PARTS LIST (1134A)
B-DD-1134A-0-0	DRAWING DIRECTORY (1134A)
MP00192	PRINT SET KD11-EA (COMPLETE SET)
D-CS-M9301-0-1	UNIBUS TERMINATOR/BOOT STRAP
D-CS-M9302-0-1	UNIBUS TERMINATOR
MP00017	PRINT SET KY11-LA (COMPLETE SET)
MP00015	PRINT SET KY11-LB (COMPLETE SET)
MP00106	PRINT SET DL11-W (COMPLETE SET)
B-CS-M7850-0-1	PARITY MODULE
B-CS-G727-0-1	GRANT CONTINUITY
MP00021	PRINT SET MS11-E (COMPLETE SET)
MP00032	PRINT SET MM11-D (COMPLETE SET)
MP00317	PRINT SET MM11-YP (COMPLETE SET)
B-DD-DD11-P	DRAWING DIRECTORY DD11-P (COMPLETE SET)
MP00018	PRINT SET BALL-L (COMPLETE SET)
E-UA-BALL-K-0	UNIT ASSY BALL-K
A-PL-BALL-K-0	UNIT ASSY BALL-K (PL)
B-DD-BALL-K	DRAWING DIRECTORY BALL-K
MP00270	PRINT SET 1134A P.S. (COMPLETE SET)
C-IA-7011413-0-0	EXTERNAL BOOT CABLE
C-IA-7011411-0-0	CONSOLE CABLE
D-IA-7011992-0-0	CONSOLE POWER HARNESS
A-PL-1134A-0-4	SHIPPING LIST (1134A)
D-CS-M9312-0-1	UNIBUS TERM. BOOT STRAP

	115V	230V
5.25 Box	UNIT VARIATIONS COVERED BY THIS PRINT SET	
	1134A-DC	1134A-DD
	1134A-HC	1134A-HD
	1134A-LC	1134A-LD
	1134A-MC	1134A-MD
	1134A-JC	1134A-JD
10.5 Box	1134A-DH	1134A-DJ
	1134A-HH	1134A-HJ
	1134A-LH	1134A-LJ
	1134A-MH	1134A-MJ
	1134A-DE	1134A-DF
	1134A-HE	1134A-HF
	1134A-LE	1134A-LF
	1134A-ME	1134A-MF
	1134A-JH	1134A-JJ
	1134A-JE	1134A-JF

**1134A  
Field Maintenance  
Print Set**

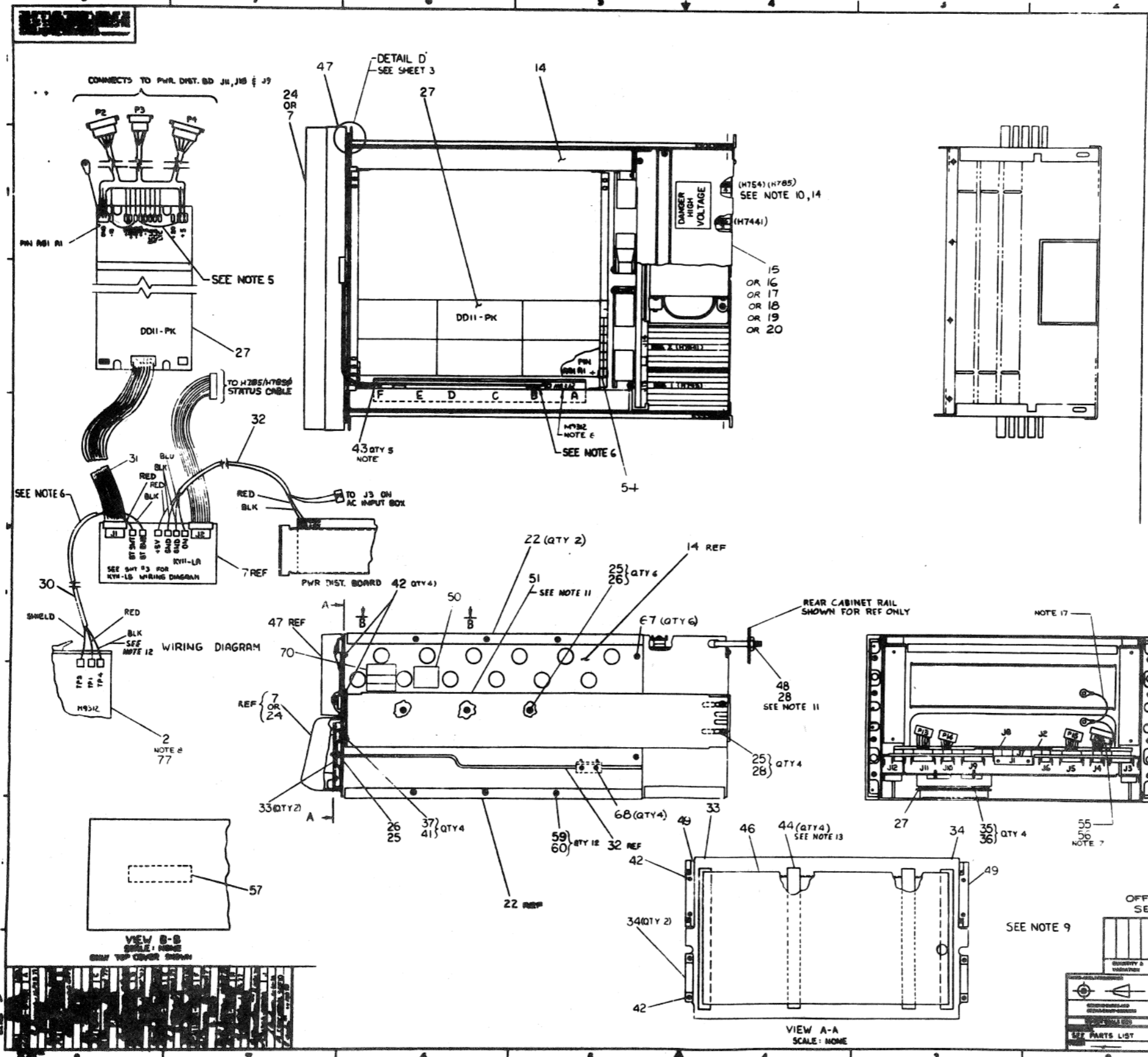
**Digital Equipment  
Corporation**

PRINT SET ORDER NO.  
MP00190

REVISIONS		USED ON OPTION/MODEL	DRN.	DATE	TITLE:	SIZE	CODE	NUMBER	REV.
DATE	CHG. NO.								
2-77	1134A-7		D. HEALY	NOV 76	1134A FIELD MAINTENANCE PRINT SET	B	TC	1134A-0-1	3
2-78	1134A-8		CHK'D D. HEALY	NOV 76					
			PROJ. ENG. DAVE MOBERLY	13JAN77					
			FIELD SERV. ROY M EVANS	13JAN77					
		SHEET 1 OF 1			DIST.				



1221581 16 19875 12271

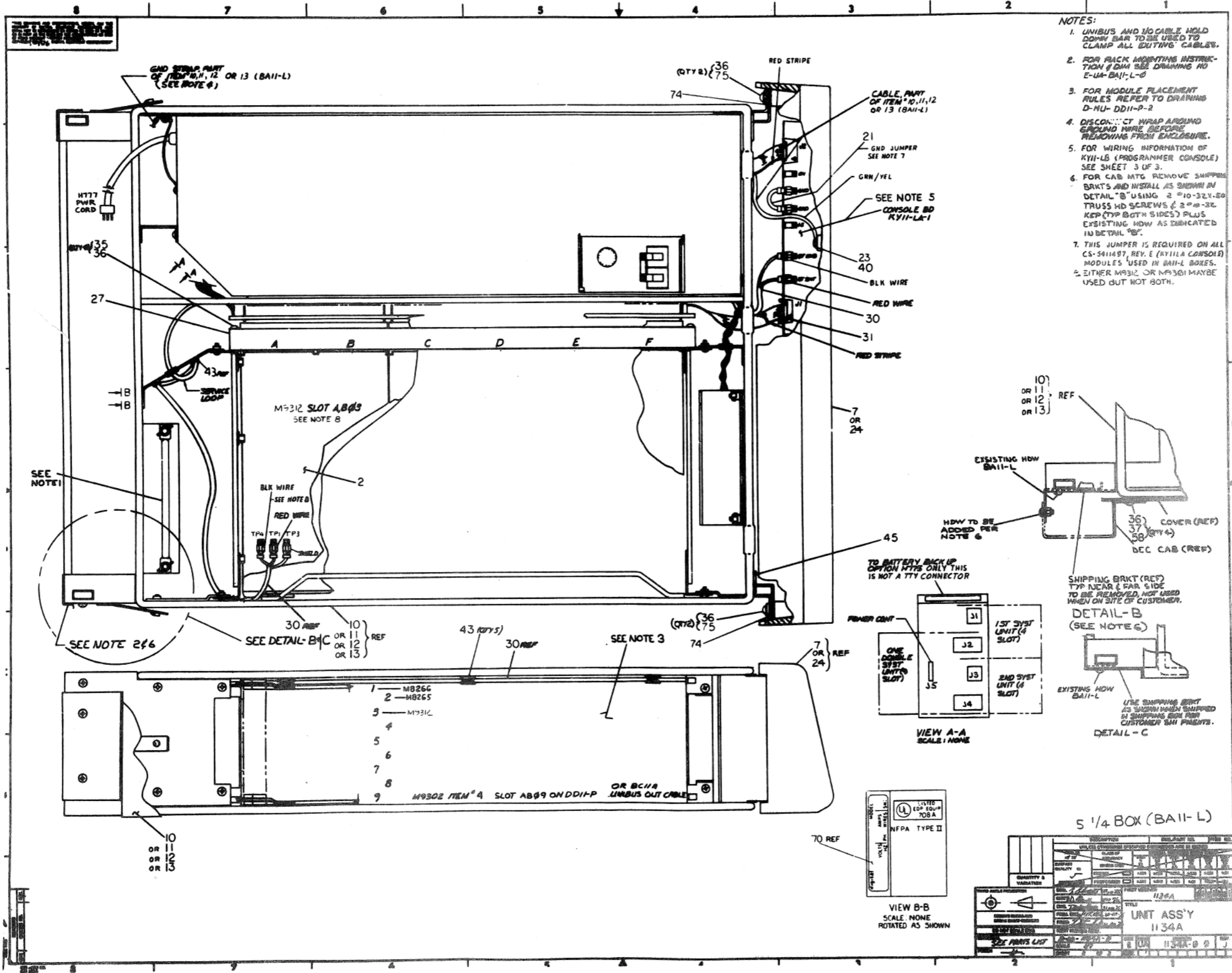


- NOTES:**
- CAUTION: OFF SHEET PARTS LIST EXISTS SEE C-PL-1134A-B-0
  - SEE DD11-P MODULE UTILIZATION DRAWING FOR MODULE PLACEMENT INFORMATION.
  - FOR ADDITIONAL INFORMATION REFER TO E-UR-B11-K-0.
  - TIGHTEN ALL SYSTEM UNIT MOUNTING SCREWS TO 13 IN LBS WITH A TORQUE SCREW DRIVER.
  - WHEN THE DD11-PK IS USED WITH A B11-K EXPANSION BOX WITHOUT BATTERY BACK UP (IE. NO 785 OR 7850), INSTALL THE THREE JUMPERS SHOWN: A) -15 TO -15B B) +15 TO +15B C) +5 TO +5B (SEE NOTE 14) USE # 20 INSULATED BUS WIRE ON SIDE 2. THIS WILL PROVIDE POWER TO THE MOS MEMORY VOLTAGE RAILS.
  - LOOP THE M312 CABLE ITEM # 30 UNDER THE CABLE HOLD DOWN BAR (SERVICE LOOP)
  - TIE DOWN P16, PART OF ITEM # 14, WITH TWO TIE WRAPS (ITEM # 55 WHEN H754 IS NOT USED).
  - EITHER M312 OR M313 MAY BE USED BUT NOT BOTH.
  - CUTOUT IN FILTER ITEM # 46 FOR ROUTING OF CABLES ITEM # 32 (30).
  - H754 REGULATOR AVAILABLE ONLY IN CORE MEMORY SYSTEMS.
  - ITEMS 30, 39, 48 & 51 ARE INSTALLED AT A AND T.
  - IN POP-134 SYSTEMS WITHOUT BATTERY BACKUP (OPTION H775) THE TPA CONNECTION TO THE M312 WILL CAUSE BOOTS ON ALL POWER RESTARTS. IF BOOTS ON POWER RESTARTS ARE NOT DESIRED, REMOVE THE TPA CONNECTION, INSULATE THE CABLE TERMINAL AND TIE IT BACK ON ITSELF WITH A TIE WRAP.
  - REPLACE FOAM STRIPS WITH ITEM 44.
  - IF THE H785 IS USED FOR BATTERY BACKUP OF MOS MEMORY ONLY, IF THE H785 IS INSTALLED, REMOVE NOTE 5 JUMPERS AND ADD ITEM # 49 FROM J2 OF THE K711 TO THE STATUS CABLE OF THE H785 POWER SUPPLY.
  - USE GAS-TIGHT HARDWARE ON POWER SUPPLY TERMINALS.
  - B11-K'S THAT USE THE SA1064-YA-1 POWER DISTRIBUTION (S, 1134A, 1134B WITH PP11-1) AND SOME 1104'S) AND HAVE ONE DD11-C (OR AN ADDITIONAL DD11-D) CAN ONLY HAVE THE -5 TO +5B JUMPER IN ONE OF THE BACK PANELS. IF TWO OF THE BACK PANELS HAVE THE JUMPER IN, THE +5V REGULATORS MUST BE CONNECTED TOGETHER. TYPICALLY THIS JUMPER IS IN THE FIRST BACK PANEL, BUT IT MAY BE PLACED IN ONE OF THE OTHER BACK PANELS IF DESIRED NECESSARY FOR POWER REG.
  - GND THE GRN W/YELLOW TRACE CHASSIS GND TERMINAL WITH TWO WIRE ON THE STANDOFF, GND THE OTHER TERMINAL TO THE STD ON THE AC INPUT ASSY. GND THE AC INPUT ASSY. TO THE STUD ON THE H745 P2.

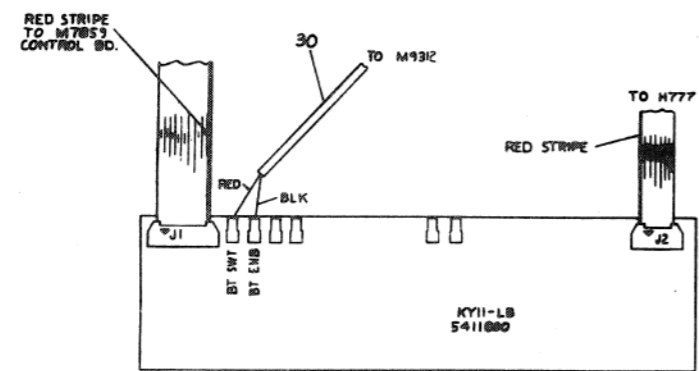
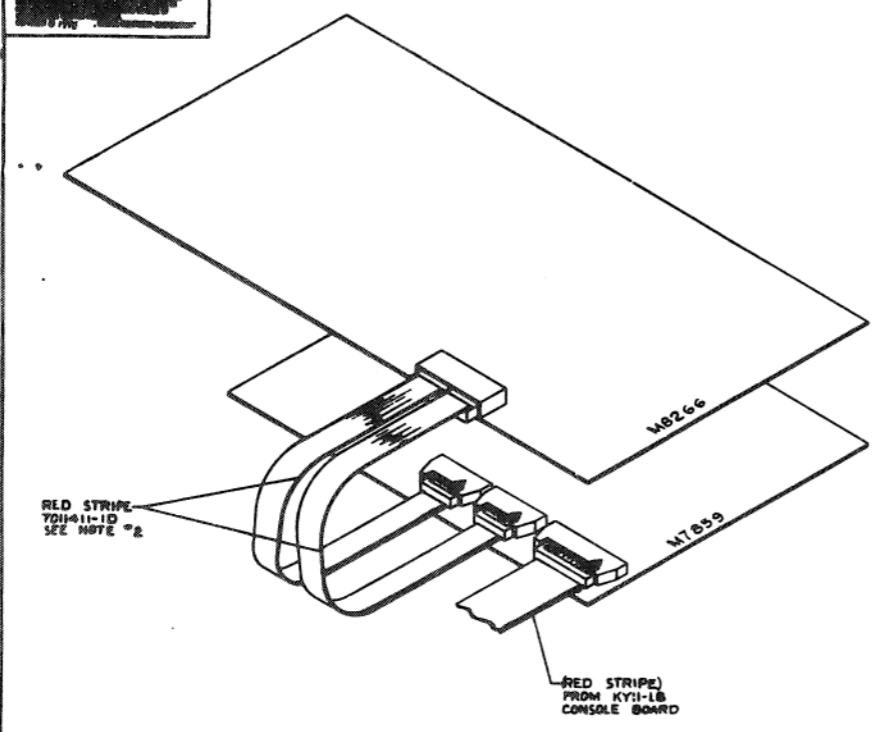
10 1/2" BOX (B11-K)  
OFF SHEET PARTS LIST EXISTS  
SEE C-PL-1134A-B-0

QTY	DESCRIPTION	REF	UNIT ASSY
1	UNIT ASSY	1134A	1134A

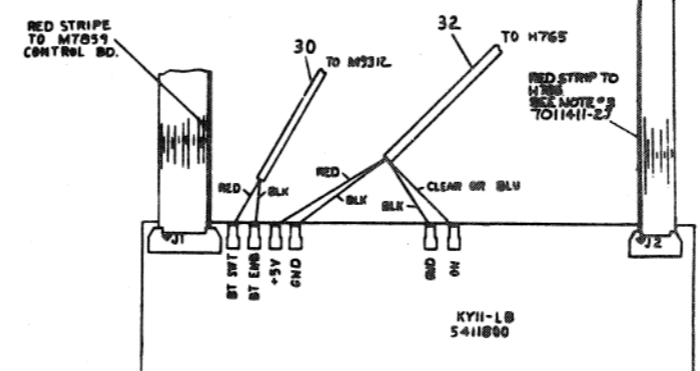
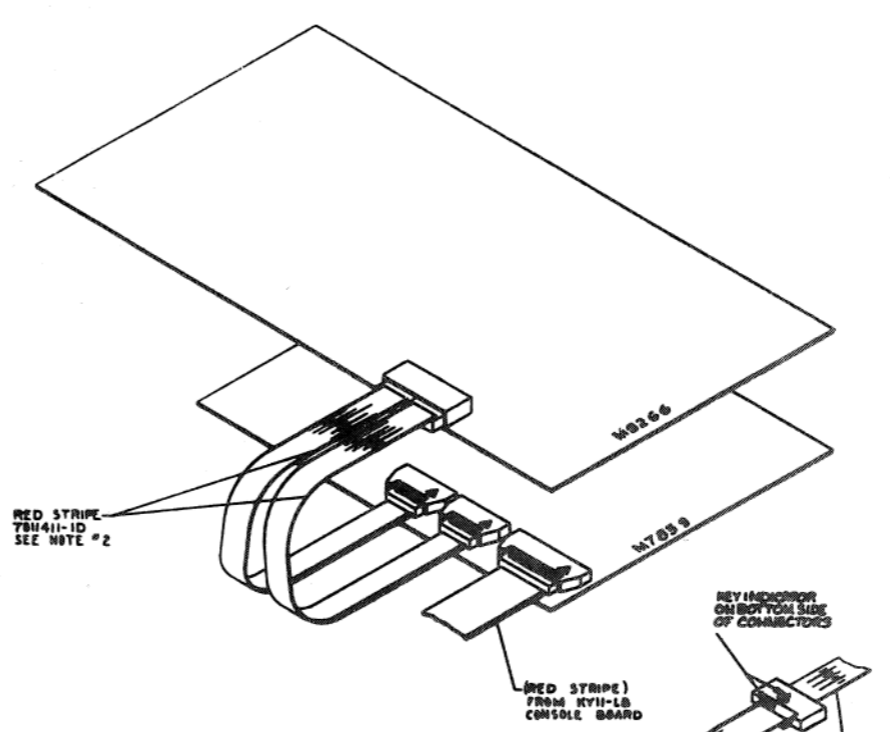
SEE PARTS LIST



8 7 6 5 4 3 2 1

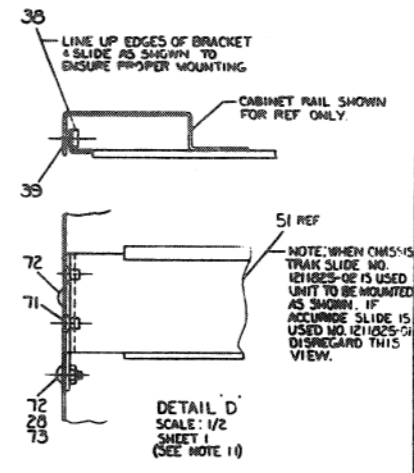


BAI-L  
5 1/4 MTG. BOX



BAI-K  
10 1/2 MTG. BOX

NOTES:  
 1. THE M7859 PROGRAMMER'S G-SOLE INTERFACE MODULE MUST BE INSTALLED INTO AN SPC SLOT.  
 2. PART OF THE KY11-LB OPTION  
 3. PRESENT ONLY IN SYSTEMS WITH A BATTERY BACK UP REGULATOR.





4

3

2

1

THIS DRAWING AND SPECIFICATIONS, HEREIN ARE THE PROPERTY OF DIGITAL EQUIPMENT CORPORATION AND SHALL NOT BE REPRODUCED OR COPIED OR USED IN WHOLE OR IN PART AS THE BASIS FOR THE MANUFACTURE OR SALE OF ITEMS WITHOUT WRITTEN PERMISSION. COPYRIGHT © DIGITAL EQUIPMENT CORPORATION

ITEM NO.	DRAWING NO.	DESCRIPTION	1134A																					
			DC	DD	HC	HD	LC	LD	HC	HD	JC	JD	DB	DJ	HE	HJ	DE	DF	HE	HJ	JE	JF	JE	JF
44	1211336-02	TAPE	-	-	-	-	-	-	-	-	-	-	-	-	-	-	-	-	-	-	-	-	-	-
45	1212707	AIR FILTER BALL-L	1	1	1	1	1	1	1	1	1	1	1	1	1	1	1	1	1	1	1	1	1	1
46	1212392-02	AIR FILTER BALL-K	-	-	-	-	-	-	-	-	-	-	-	-	-	-	-	-	-	-	-	-	-	-
47	D-UA-H95#-PB-#	COVER 5 1/4" BEZEL	-	-	-	-	-	-	-	-	-	-	-	-	-	-	-	-	-	-	-	-	-	-
48	C-MD-7413659-0-0	SHIPPING BRACKET (BALL-K *)	-	-	-	-	-	-	-	-	-	-	-	-	-	-	-	-	-	-	-	-	-	-
49	1209224	LATCH MOLDING	-	-	-	-	-	-	-	-	-	-	-	-	-	-	-	-	-	-	-	-	-	-
50	A-DC-7409478-0-0	DECAL, PATENT	-	-	-	-	-	-	-	-	-	-	-	-	-	-	-	-	-	-	-	-	-	-
51	D-PS-1211825-01-0	SLIDE 3 POS TILT * NOTE 1	-	-	-	-	-	-	-	-	-	-	-	-	-	-	-	-	-	-	-	-	-	-
52																								
53																								
54	B-DC-7417820-0-0	DECAL, MODULE LAYOUT	1	1	1	1	1	1	1	1	1	1	1	1	1	1	1	1	1	1	1	1	1	1
55	9007880	TIE WRAP	2	2	2	2	2	2	2	2	2	2	2	2	2	2	2	2	2	2	2	2	2	2
56	1209340-00	CONNECTOR, DUMMY	-	-	-	-	-	-	-	-	-	-	-	-	-	-	-	-	-	-	-	-	-	-
57	B-DC-7414727-0-0	DECAL STICKER	-	-	-	-	-	-	-	-	-	-	-	-	-	-	-	-	-	-	-	-	-	-
58	9006660	WASH, FL .38 O.D. x .18 I.D. x .03	4	4	4	4	4	4	4	4	4	4	4	4	4	4	4	4	4	4	4	4	4	4
59	9006020-3	SCR, PHL TRUSS HD. #6 - 32 x .25	-	-	-	-	-	-	-	-	-	-	-	-	-	-	-	-	-	-	-	-	-	-
60	9006633	WASHER, LOCK #6	-	-	-	-	-	-	-	-	-	-	-	-	-	-	-	-	-	-	-	-	-	-
61	A-SP-3700134-0-0	CUSHION CONSOLIDATED LOAD ASSY	1	1	1	1	1	1	1	1	1	1	1	1	1	1	1	1	1	1	1	1	1	1
62	A-SP-3700235-0-0	INPLANT PACKAGING INSTRUCTIONS	-	-	-	-	-	-	-	-	-	-	-	-	-	-	-	-	-	-	-	-	-	-
63	A-SP-3700165-0-0	SKID LOAD PACKAGING INSTRUCTIONS	-	-	-	-	-	-	-	-	-	-	-	-	-	-	-	-	-	-	-	-	-	-
64	A-SP-3700169-0-0	CUSTOM CUSHIONED PACKAGING INSTRUCTIONS	-	-	-	-	-	-	-	-	-	-	-	-	-	-	-	-	-	-	-	-	-	-
65	A-SP-3700197-0-0	INPLANT PACKAGING INSTRUCTIONS	1	1	1	1	1	1	1	1	1	1	1	1	1	1	1	1	1	1	1	1	1	1
66	A-SP-3700061-0-0	CUSTOM CUSHIONED PACKAGING INSTRUCTIONS	1	1	1	1	1	1	1	1	1	1	1	1	1	1	1	1	1	1	1	1	1	1
67	9009599	SCR, PHL FLAT HD #10 - 32 x .50	-	-	-	-	-	-	-	-	-	-	-	-	-	-	-	-	-	-	-	-	-	-
68	9006020-2	SCR, PH FL HD #6 - 32 x .25	-	-	-	-	-	-	-	-	-	-	-	-	-	-	-	-	-	-	-	-	-	-
69	<del>90044-2</del>	<del>CONSOLE CABLE (FOR BATTERY BACKUP)</del>	<del>-</del>	<del>-</del>	<del>-</del>	<del>-</del>	<del>-</del>	<del>-</del>	<del>-</del>	<del>-</del>	<del>-</del>	<del>-</del>	<del>-</del>	<del>-</del>	<del>-</del>	<del>-</del>	<del>-</del>	<del>-</del>	<del>-</del>	<del>-</del>	<del>-</del>	<del>-</del>	<del>-</del>	
70	A-PS-3613210-0-0	DECAL, ELECTRICAL DATA	1	1	1	1	1	1	1	1	1	1	1	1	1	1	1	1	1	1	1	1	1	1
71	9006071-2	SCR, PH FLAT HD #10-32 x .38	-	-	-	-	-	-	-	-	-	-	-	-	-	-	-	-	-	-	-	-	-	-
72	9006073-03	SCR, PH TRUSS HD #10-32 x .50	-	-	-	-	-	-	-	-	-	-	-	-	-	-	-	-	-	-	-	-	-	-
73	9006664	WASHER, FLAT #10	-	-	-	-	-	-	-	-	-	-	-	-	-	-	-	-	-	-	-	-	-	-
74	B-MD-7418879-0-0	STRIP, BEARING	2	2	2	2	2	2	2	2	2	2	2	2	2	2	2	2	2	2	2	2	2	2
75	9006039-03	SCREW, PHL TRUSS HD #8-32 x .50	4	4	4	4	4	4	4	4	4	4	4	4	4	4	4	4	4	4	4	4	4	4
76	D-UA-M811-YP-#	MEMORY, CORE 32K PARITY	-	-	-	-	-	-	-	-	-	-	-	-	-	-	-	-	-	-	-	-	-	-
77	D-CS-M9312-0-1	TERM. BOOT STRAP (M9312) NOTE 2	1	1	1	1	1	1	1	1	1	1	1	1	1	1	1	1	1	1	1	1	1	1
<p>* installed at F. A. &amp; T.  ** cable to be installed at F.A. &amp; T.  NOTE 1: 1211825-02-0 May be used in place of -01.  2: Either M9312 or M9301 may be used but not both.</p>																								

REV.	CHG.	DATE

DRN. B. Blodgett	OCT 76	FIRST USED ON	1134A
CHK'D D. Healy	NOV 76	TITLE	UNIT ASSY 1134A
ENG. J. Blodgett	12-10-77		
PROJ. ENG. P. Blodgett	12-10-77		
PROD. M. Blodgett	11-10-77		
NEXT HIGHER ASSY.	E-UA-1134A-#-#	SIZE	CODE
		C	PL
SCALE			NUMBER
			1134A-#-#
SHEET 2	OF 2	DIST.	

4

3

2

1

# DRAWING DIRECTORY

"THIS DRAWING AND SPECIFICATIONS, HEREIN, ARE THE PROPERTY OF DIGITAL EQUIPMENT CORPORATION AND SHALL NOT BE REPRODUCED OR COPIED OR USED IN WHOLE OR IN PART AS THE BASIS FOR THE MANUFACTURE OR SALE OF ITEMS WITHOUT WRITTEN PERMISSION. COPYRIGHT © 1976, DIGITAL EQUIPMENT CORPORATION"

## CUSTOMER PRINT SET INDEX

SEQUENCE

7r

SEQUENCE

7r

THIS IS PRINT SET

NOTE: 1. EITHER M9312 OR M9301 MAY BE USED BUT NOT BOTH.

UNIT VARIATIONS		PRINT SET	
VAR	TITLE		
5.25" BOX	1134A-DC	KD11-EA, MS11-JP, BALL-LM, M7850 M9312, 115V	
	1134A-DD	KD11-EA, MS11-JP, BALL-LN, M7850 M9312, 230V	
	1134A-HC	KD11-EA, MM11-DP, BALL-LK, M7850 M9312, 115V	
	1134A-HD	KD11-EA, MM11-DP, BALL-LL, M7850 M9312, 230V	
	1134A-LC	1134A-DC & MS11-JP, 115V	
	1134A-LD	1134A-DD & MS11-JP, 230V	
	1134A-MC	1134A-HC & MM11-DP, 115V	
	1134A-MD	1134A-HD & MM11-DP, 230V	
	10.50" BOX	1134A-LH	1134A-DH & MS11-JP, 115V
		1134A-LJ	1134A-DJ & MS11-JP, 230V
1134A-DH		KD11-EA, MS11-JP, BALL-KA, M7850 M9312, 115V	
1134A-DJ		KD11-EA, MS11-JP, BALL-KA, M7850 M9312, 230V	
1134A-MH		1134A-HH & MM11-DP, 115V	
1134A-MJ		1134A-HJ & MM11-DP, 230V	
1134A-HH		KD11-EA, MM11-DP, BALL-KA, M7850 M9312, 115V	
1134A-HJ		KD11-EA, MM11-DP, BALL-KA, M7850 M9312, 230V	
1134A-LE		1134A-DE, & MS11-JP, 115V	
1134A-LF		1134A-DF & MS11-JP, 230V	
1134A-DE	KD11-EA, MS11-JP, BALL-KA, M7850 M9312, DL11-WA, 115V		
1134A-DF	KD11-EA, MS11-JP, BALL-KA, M7850 M9312, DL11-WA, 230V		

REVISIONS	
DATE	CHG. NO.
4-77	1134A-3 A
7-77	1134A-5 B
8-77	1134A-6 C
11-77	1134A-7 D
2-78	1134A-8 E

USED ON OPTION/MODEL	DRN	DATE	TITLE
	D. HEALY	NOV 76	UNIT ASSY 1134A
	CHRD.	DATE	
	D. HEALY	NOV 76	
	PROJ ENG.	DATE	
	<i>D. Healy</i>	13 JAN 77	
	PROD.	DATE	SIZE CODE
	<i>J. Standish</i>	12 JAN 77	B DC
	HEAD OFF.	DATE	NUMBER
			1134A-0
			REV
			E
SHEET 1 OF 5			DIST

EN-01062-1A-16-R972-3251

# DRAWING DIRECTORY

"THIS DRAWING AND SPECIFICATIONS, HEREIN, ARE THE PROPERTY OF DIGITAL EQUIPMENT CORPORATION AND SHALL NOT BE REPRODUCED OR COPIED OR USED IN WHOLE OR IN PART AS THE BASIS FOR THE MANUFACTURE OR SALE OF ITEMS WITHOUT WRITTEN PERMISSION. COPYRIGHT © 1976, DIGITAL EQUIPMENT CORPORATION"

## CUSTOMER PRINT SET INDEX

SEQUENCE

SEQUENCE

THIS IS PRINT SET

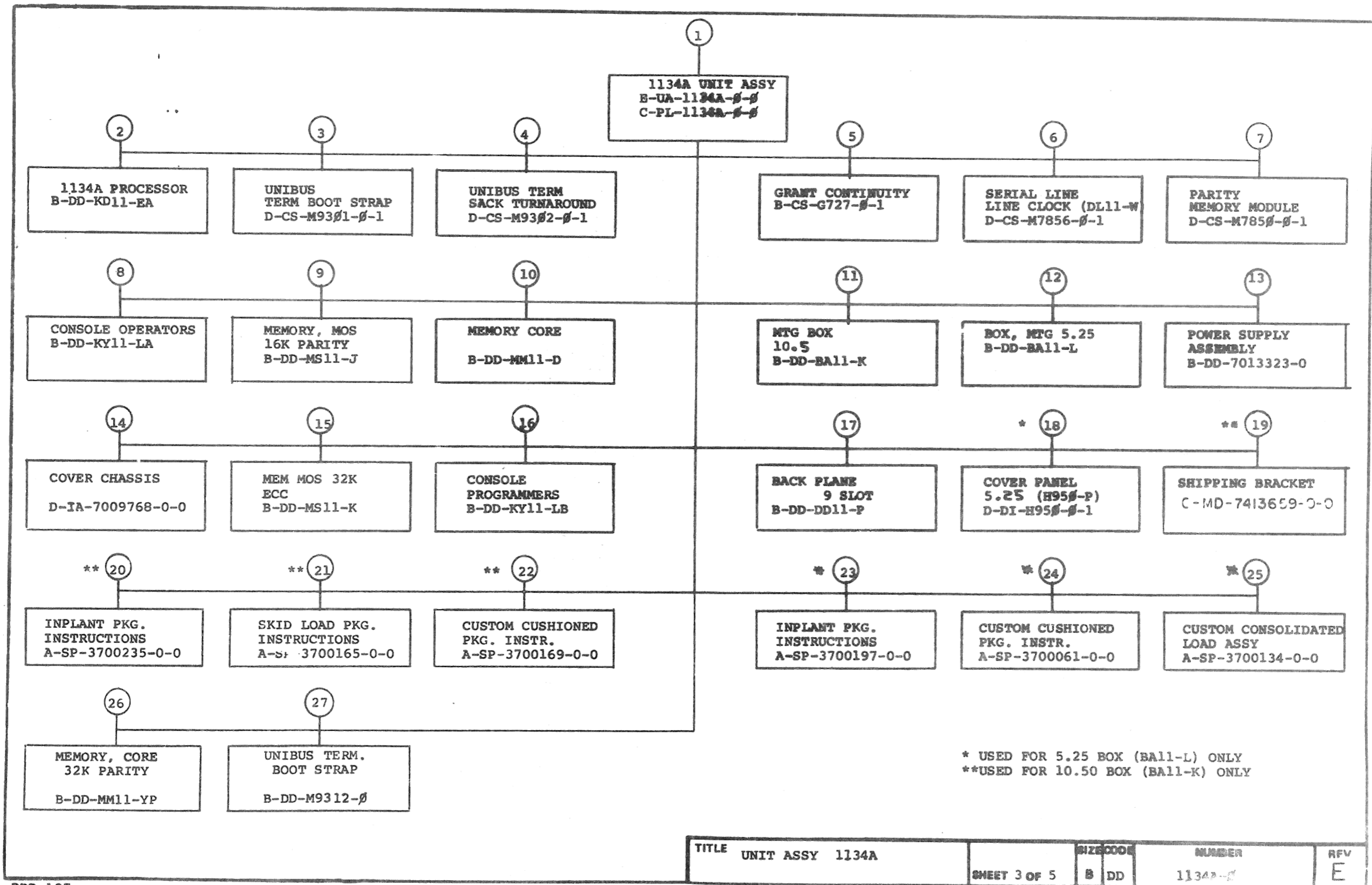
UNIT VARIATIONS		PRINT SET
VAR	TITLE	
1134A-ME	1134A-HE & MM11-DP 115V	
1134A-MF	1134A-HF, MM11-DP 23ØV	
1134A-HE	KD11-EA, MM11-DP, BA11-KA, M785Ø, M9312, DL11-WA, 115V	
1134A-HF	KD11-EA, MM11-DP, BA11-KA, M785Ø, M9312, DL11-WA 23ØV	
1134A-JH	KD11-EA, MM11-YP, BA11-KA, M785Ø, M9312, 115V	
1134A-JJ	KD11-EA, MM11-YP, BA11-KA, M785Ø, M9312, 23ØV	
1134A-JE	1134A-JH & DL11-WA, KY11-LB, 115V	
1134A-JF	1134A-JJ & DL11-WA, KY11-LB, 23ØV	
1134A-JC	KD11-EA, MM11-YP, BA11-LK, M785Ø, M9312, 115V	
1134A-JD	KD11-EA, MM11-YP, BA11-LJ, M785Ø, M9312, 23ØV	

10.50"  
BOX

5.25"  
BOX

REVISIONS	REV		USED ON OPTION/MODEL	DRN.	D. HEALY	DATE	NOV 76	TITLE						
	CHG. NO.			CHK'D.	D. HEALY	DATE	NOV 76		UNIT ASSY 1134A					
	DATE			PROJ ENG.	<i>[Signature]</i>	DATE	13 JAN 77							
				PROD.	<i>[Signature]</i>	DATE	13 Jan 77		SIZE CODE	B DD	NUMBER	1134A-Ø	REV	E
				FIELD SERV.		DATE			DIST					
SHEET 2 OF 5														





TITLE	UNIT ASSY 1134A	SIZE CODE	NUMBER	RFV
		B DD	1134A- $\phi$	E

FIND NO.	DRAWING NO.	DESCRIPTION	TYPE	FIND NO.	DRAWING NO.	DESCRIPTION	TYPE
1	B-TC-1134A-Ø-1	1134A (Field Maintenance Print Set)	-				
	MPØØ19Ø	1134A (Print Set Order Number)	-	8	B-DD-KY11-LA	Console, Operators	E/M
	D-UA-1134A-Ø-Ø	1134A Unit Assy	E/M				
	C-PL-1134A-Ø-Ø	1134A Unit Assy (PL)	E/M				
	A-DC-7409478-Ø-Ø	Decal Patent	M				
	B-DC-7414727-0-0	Decal, Sticker	M				
	C-IA-7013752-0-0	Cable, Jumper (BALL-L)	E/M	9	B-DD-MS11-J	Memory Mos 16K Parity (M7847)	E/M
	C-IA-7011413-0-0	Cable, External Boot M93Ø1	E/M				
	B-DC-7417820-0-0	Decal, Module Layout	M				
	B-MU-DD11-P-2	Module Utilization (DD11-P)	E/M	10	B-DD-MM11-D	Memory Core 16K Parity	E/M
	C-IA-7011411-0-0	Cable, Console (DD11-PK for L or K Box)	E/M				
	D-IA-7011992-0-0	Console, Power Harness (K Box)	E/M				
	A-PL-1134A-Ø-4	1134A Shipping List	E/M				
	B-MD-7417628-0-0	Bracket, Bezel	M				
	B-MD-7417627-0-0	Adapter Bracket, Bezel	M	11	B-DD-BALL-K	Mtg. Box 10.50	E/M
	B-MD-7417882-0-0	Nut Plate	M				
	B-MD-7417883-0-0	Plate, Slide Mounting	M				
	A-PS-3613210-0-0	Decal Electrical Data	M				
				12	B-DD-BALL-L	Mtg. Box 5.25	E/M
2	B-DD-KD11-EA	1134A Processor	E/M				
	B-PL-M8265-0-8	ROM LISTING		13	B-DD-7013323-0	Power Supply Assembly	E/M
	B-PL-M8266-0-8	ROM LISTING					
3	D-CS-M93Ø1-Y-1	Unibus Term Boot Strap	E/M				
				14	D-IA-7009768-0-0	Cover, Chassis	M
4	D-CS-M93Ø2-Ø-1	Unibus Ter. Sack Turn Around	E/M				
				15	B-DD-MS11-K-Ø	Memory Mos 32K ECC (M7984)	E/M
5	B-CS-G727-Ø-1	Grant Continuity	E/M				
				16	B-DD-KY11-LB	Console, Programmers	E/M
6	D-CS-M785Ø-Ø-1	Serial Line/ Line Clock (DL11-W)	E/M				
7	I-CS-M785Ø-Ø-1	Parity Memory Module	E/M				

TYPE: E ELECTRICAL M MECHANICAL E/M ELECTRO/MECHANICAL	<b>digital</b>	TITLE UNIT ASSY 1134A	SHEET# OF# B DD	NUMBER 1134A-Ø	REV E
--	----------------	--------------------------	--------------------	-------------------	----------

FIND NO.	DRAWING NO.	DESCRIPTION	TYPE	FIND NO.	DRAWING NO.	DESCRIPTION	TYPE
17	B-DD-DD11-P	Backplane 9 Slot for L & K Boxes	M/E				
18	D-DI-H950-P-0 D-UA-H950-P-0	Dwg. Index List H950 Cover 5-1/4 Bezel	M M	24	A-SP-3700061-0-0	Custom Cushioned Pkg. Instr.	M
19	C-ID-7413659-O-O	Shipping Bracket (BALL-K)	M	25	A-SP-3700134-0-0	Cushion Consolidated Load Assy.	M
				26	B-DD-MM11-YP	Memory, Core 32K Parity	
				27	B-DD-M9312-0	Unibus Term. Boot Strap	E/M
20	A-SP-3700235-0-0 A-PS-9905650-0-0 A-PS-9905889-0-0 A-PS-9905644-0-0 A-PS-9905323-0-0 A-PS-9905129-0-0	Inplant Pkg. Instructions Regular Slotted Carton Bezel Protector Rear Pad Laminated Saddle Poly Bag	M M M M M M				
21	A-SP-3700165-0-0 A-PS-1210568-01-0 A-PS-9905445-0-0 A-PS-9905419-0-0	Skid Load Pkg. Instructions Cushioned Skid Half Overlap Slotted Carton (Top) Flanged Tube (Bottom)	M M M M				
22	A-SP-3700169-0-0 A-PS-9905645-0-0 A-PS-9905642-0-0 A-PS-9905643-0-0	Cust. Cushioned Pkg. Instructions Full Telescope Foam, Pad Foam/Corrugated Side Wall Assy	M M M M				
23	A-SP-3700197-0-0 A-PS-9905418-0-0 A-PS-9905754-0-0 A-PS-9905755-0-0 A-PS-9905129-0-0 A-PS-9905729-0-0	Inplant Pkg. Instructions Regular Slotted Carton Bezel Protector Laminated Saddle Poly Bag Tape	M M M M M M				

TYPE: E ELECTRICAL  
M MECHANICAL  
E/M ELECTRO/MECHANICAL

digital

TITLE UNIT ASSY 1134A

SHEET 5 OF 5 SIZE CODE B DD NUMBER 1134A