

MASTER DRAWING LIST

MAINTENANCE MANUALS		UNIT VARIATIONS													
		LINC8-0	LINC8-L	LINC8-M	LINC8-P										
NO.	TITLE														
LINC8-0	LINC 8	X	X	X	X										

USED ON OPTIONS													

REV.	DATE	CHG. NO.	APP'D.	MISC-86	A. V.	DRN.	DATE	<div style="font-size: 2em; font-weight: bold; margin: 0;">digital</div> EQUIPMENT CORPORATION <small>MAYNARD, MASSACHUSETTS</small>	TITLE	SIZE	CODE	NUMBER	REV.
						ANDRUCHOW	10-1-66		R. CLAYTON	A	ML	LINC8-0	A
A	9/71					DAIGNEAULT	10-1-66		LINC + PDP8 FUNCTIONS				
						ENG. R. CLAYTON	10-1-66						
						PROJ. ENG. R. CLAYTON	10-1-66						
						PROD. R. CLAYTON	10-1-66						
						FIRST USED ON							
						LINC 8							
						SCALE /							
						SHEET 1 OF 5							

DRA 131
Dec 16 (325)-1048-N471

LINC8-0		PRINT SET				DWG. NO.	REV. LET.	NO. OF SHEETS	TITLE	OPTION NO.	
X						D-FD-LINC8-0-9		2	MANUAL & AUTO OPERATIONS		
X						D-FD-LINC8-0-30		1	FLOW DIAGRAM, LOAD		
X						D-DI-LINC8-0-14	D	3	DRAWING INDEX LIST		
X						D-BS-LINC8-0-2		1	DATA TERM, PANEL LOGIC		
X						D-BS-LINC8-0-L2		1	B REGISTER		
X						D-BS-LINC8-0-L3		1	S & P REGISTER		
X						D-BS-LINC8-0-L4		1	LINC, LEFT HALF A REGISTER		
X						D-BS-LINC8-0-L5		1	RIGHT HALF A REGISTER		
X						D-BS-LINC8-0-L6	A	1	R & Z REGISTERS		
X						D-BS-LINC8-0-L7	A	1	PDP-8 AC INPUT GATES		
X						D-BS-LINC8-0-L14		1	CONTROL REG. & INST DECODERS		
X						D-BS-LINC8-0-L15	A	1	TIME PULSE DISTRIBUTOR		
X						D-BS-LINC8-0-L16	F	1	LINC INTERFACE CONTROL		
X						D-BS-LINC8-0-L17	B	1	IOT DECODERS		
X						D-BS-LINC8-0-L18	B	1	CONTROL FUNCTIONS		
X						D-BS-LINC8-0-L19		1	SKIP NETS		
X						D-BS-LINC8-0-L20	A	1	CONTROL PULSE GATES		
X						D-BS-LINC8-0-L21	A	1	SPZTN & DIS. CONT. PULSES		
X						D-BS-LINC8-0-L22	A	1	A & B REGISTER CONTROL PULSES		
X						D-BS-LINC8-0-L26	A	1	MEMORY EXTENSION		
X						D-BS-LINC8-0-L28		1	LINC SWITCHES & INDICATORS		
X						D-BS-LINC8-0-M8		1	PDP-8 ADDR INPUT GATE		
X						D-BS-LINC8-0-M9		1	MAG TAPE READER/WRITER		
X						D-BS-LINC8-0-M10	B	1	MAG TAPE MOTION CONTROL		
TITLE		LINC8							SIZE CODE	NUMBER	REV.
									A ML	LINC8-0	A
									SHEET 2 OF 5		

DRA 131
DEC 16 (325)-1048-N471

PRINT SET					DWG. NO.	REV. LET.	NO. OF SHEETS	TITLE	OPTION NO.	
LINC8-0										
X					D-BS-LINC8-M11	A	1	MAGTAPE TIMING GEN.		
X					D-BS-LINC8-0-M12	A	1	MAG TAPE MODE CONTROL		
X					D-BS-LINC8-0-M13	C	1	MAG TAPE MARK WINDOW		
X					D-BS-LINC8-0-M111	C	1	TELEPRINTER		
X					D-BS-LINC8-0-M112	A	1	X AXIS SELECTION		
X					D-BS-LINC8-0-M113	A	1	Y AXIS SELECTION		
X					D-BS-LINC8-0-M115	C	1	SENSE AMPS, INHIBIT DRIVERS MEM. CONT.		
X					D-BS-LINC8-0-M116	A	1	IN - OUT BUFFERS		
X					D-BS-LINC8-0-P23	B	1	DATA BITS 00-11 GATES		
X					D-BS-LINC8-0-P24	B	1	ANALOG SYSTEM		
X					D-BS-LINC8-0-P25		1	MB REGISTER MODS.		
X					D-BS-LINC8-0-P27		1	PDP-8 SWITCHES & INDICATORS		
X					D-BS-LINC8-0-P102	A	1	ACCUMULATOR		
X					D-BS-LINC8-0-P103		1	AC CONTROL		
X					D-BS-LINC8-0-P104	A	1	PC & MA REGISTERS		
X					D-BS-LINC8-0-P105	A	1	MB REGISTER CONTROL		
X					D-BS-LINC8-0-P106	B	1	MAJOR STATES & INSTRUCTION REG.		
X					D-BS-LINC8-0-P108	B	1	MA PC CONTROL		
X					D-BS-LINC8-0-P109	B	1	TIMING KEYS, SWS, & RUN		
X					D-BS-LINC8-0-P110	D	1	INPUT-OUTPUT CONTROL		
X					D-MU-LINC8-0-3		1	MODULE UTILIZATION LIST		
X					A-PL-LINC8-0-3		1	MODULE UTILIZATION PARTS LIST		
X					D-MU-LINC8-0-L10	H	1	PANELS LE - LJ		
X					D-MU-LINC8-0-L11	B	1	PANELS LA--LD		
TITLE					LINC 8	SHEET 3 OF 5		SIZE CODE A ML	NUMBER LINC8-0	REV. A

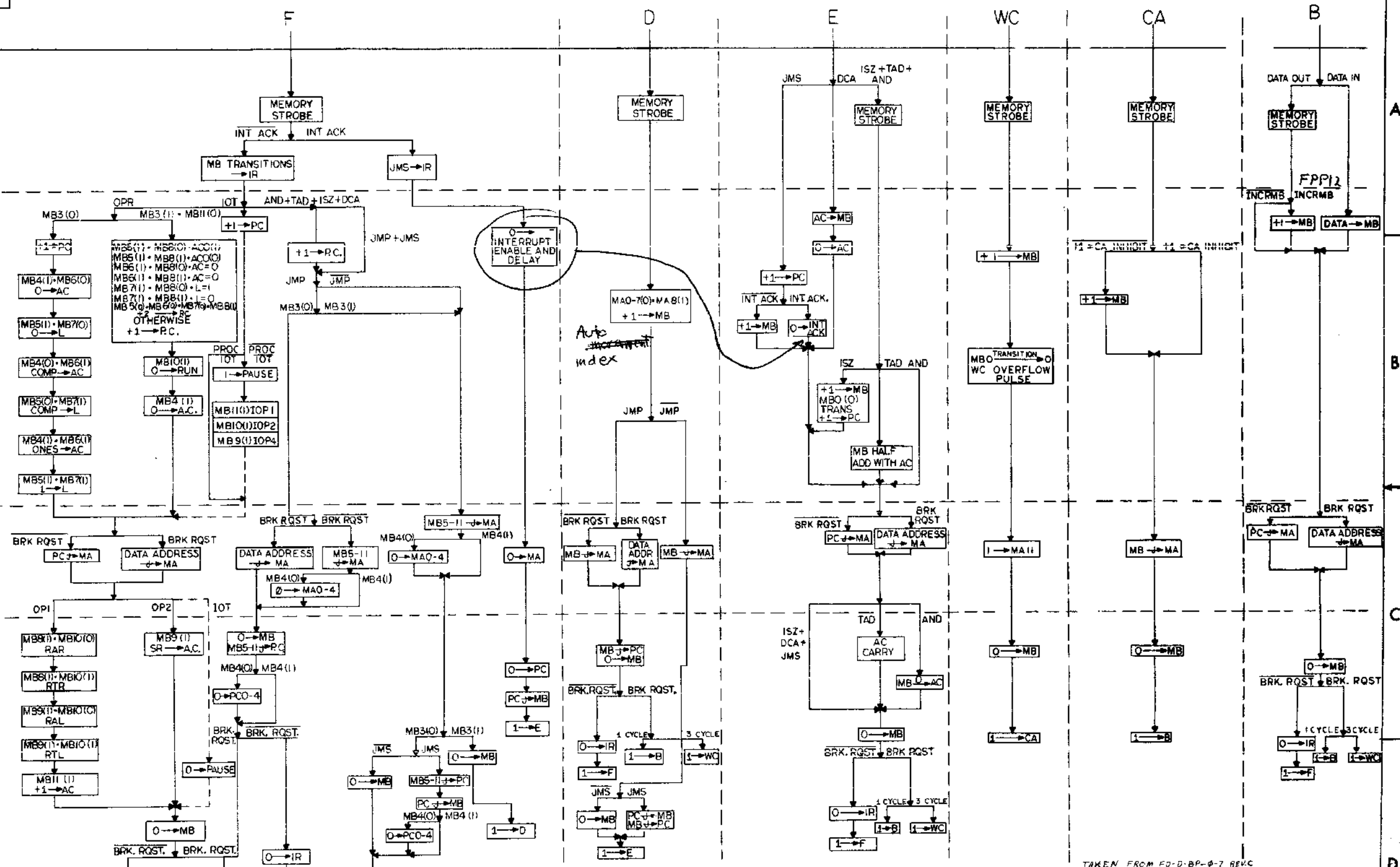
DRA 132
DEC 16 (325)-1048-1-N471

PRINT SET					DWG. NO.	REV. LET.	NO. OF SHEETS	TITLE	OPTION NO.	
LINC8-0										
X					D-MU-LINC8-0-M3	E	1	PANELS MA - MD		
X					D-MU-LINC8-0-M4	H	1	PANELS ME - MJ		
X					D-MU-LINC8-0-P3	F	1	PANELS PE TO PJ		
X					D-MU-LINC8-0-P4	D	1	PANELS PA TO PD		
X					D-IC-LINC8-0-4		2	CABLES FOR LINC8		
X					D-IC-LINC8-0-5		1	I/O LISTINGS		
X					D-IC-LINC8-0-6		1	CABLE LISTING		
X					D-IC-LINC8-0-10		1	POWER WIRING AC & DC		
X					D-IC-LINC8-0-11		1	CABLE LAYOUT OF CONTROL PANEL		
X					D-IC-LINC8-0-12		1	AC CABLES		
X					A-CP-LINC8-0-7		1	EXTERNAL COMPONENT LIST		
X					A-PL-LINC8-0-8		1	MODULE PARTS LIST		
X					D-UA-LINC8-0-0		3	LINC8 ASSEMBLY		
X					A-PL-LINC8-0-0		8	LINC8 PARTS LIST		
X					D-AD-7005108-0-0	A	1	BUSS BAR		
X					D-AD-7005109-0-0		1	BUSS BAR		
X					D-AD-7005110-0-0		4	BUSS BAR		
TITLE					LINC 8	SHEET 4 OF 5		SIZE CODE A ML	NUMBER LINC8-0	REV. A

DRA 132
DEC 16 (325)-1048-1-N471

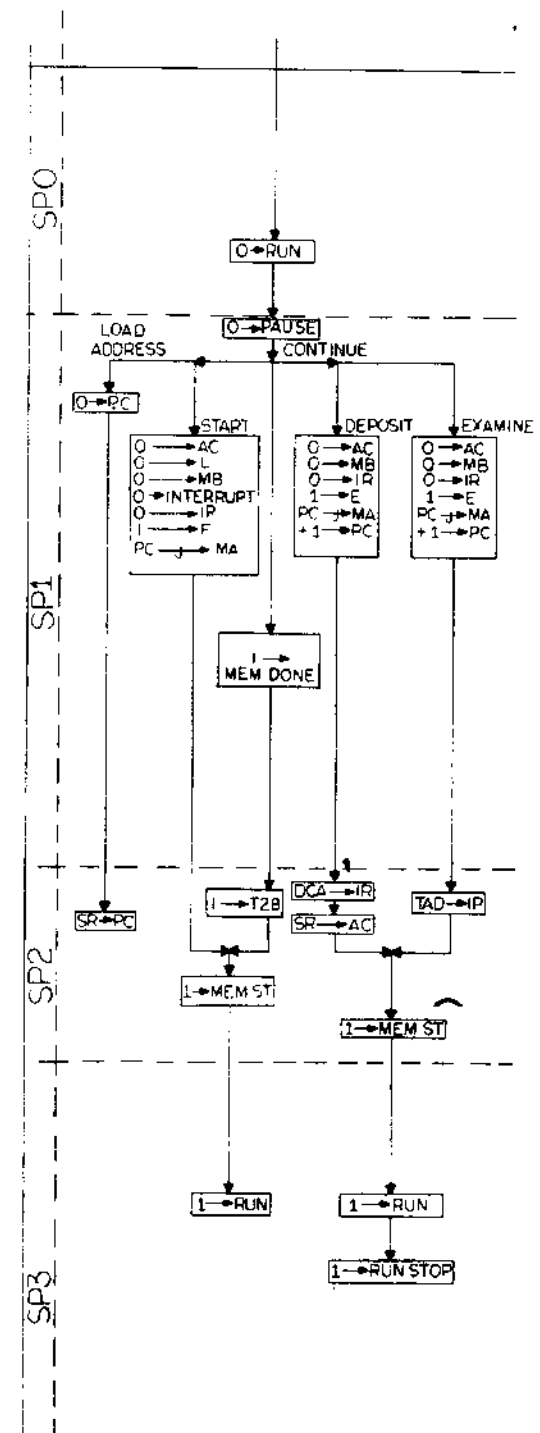
PRINT SET					DWG. NO.	REV. LET.	NO. OF SHEETS	TITLE	OPTION NO.	
LINC8-Ø										
X					K-WL-LINC8-Ø-L9	M	1	WIRE LIST		
X					K-WL-LINC8-Ø-M2	H	1	WIRE LIST		
X					K-WL-LINC8-Ø-P2	K	1	WIRE LIST		
X					B-OD-LINC8-Ø-13		1	OUTLINE DRAWINGS		
X					D-SD-LINC8-Ø-1		1	SYSTEM CONFIGURATION		
TITLE					LINC8	SHEET 5 OF 5		SIZE CODE A ML	NUMBER LINC8-Ø	REV. A

A
B
C
D
T1
T2
MEM DONE



TAKEN FROM FD-D-BP-0-7 REV.C

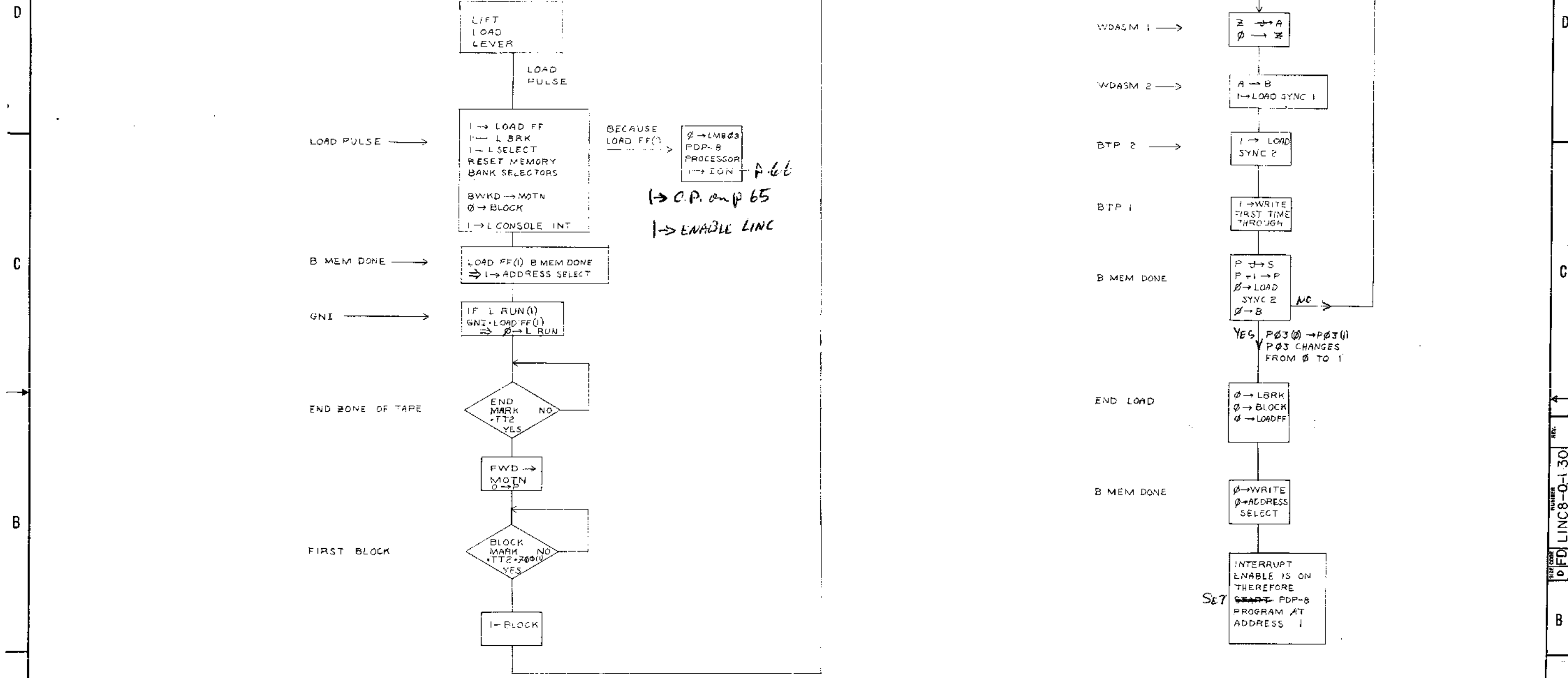
DRAWN DATE 7-17-64		digital EQUIPMENT CORPORATION MAYNARD, MASSACHUSETTS	TITLE FLOW DIAGRAM AUTOMATIC OPERATIONS
CHECKED DATE 9-18-64			FOR
ENG DATE 10-20-64			CODE D-LINC 8-0-9
PROJ. ENG. DATE 10-20-64		ASSY NO.	REV. LTR.
PROOF DATE		SHEET	DST



REV. LTR.		DRAWN		DATE		 digital EQUIPMENT CORPORATION MAYNARD, MASSACHUSETTS		TITLE	
NO.		CHECKED		DATE				FOR	
DATE		ENG.		DATE				CODE	
ENG.		PROJ. ENG.		DATE				DRWG. NO.	
		PROD.		DATE				REV. LTR.	
						ASSY. NO.		FD D-LINC 8-0-9	
						SCALE		SHEET 2 OF 2	

TAKEN FROM 10-10-BF-9-1 RECC

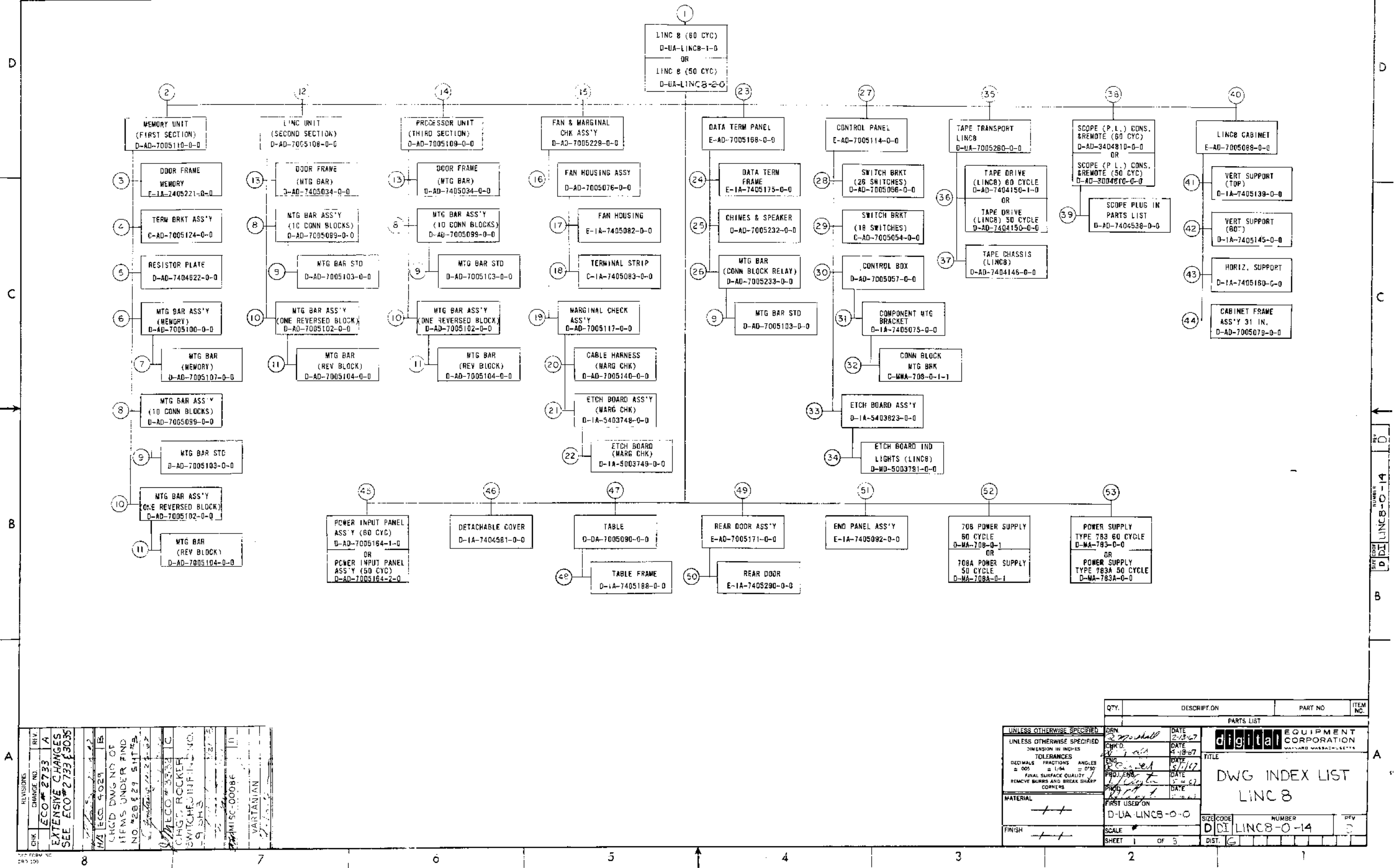
This drawing and specifications, herein, are the property of Digital Equipment Corporation and shall not be reproduced or copied or used in whole or in part as the basis for the manufacture or sale of items without written permission.



REV.	CHANGE NO.

QTY.	DESCRIPTION	PART NO.	ITEM NO.
PARTS LIST			
UNLESS OTHERWISE SPECIFIED DIMENSION IN INCHES TOLERANCES DECIMALS FRACTIONS ANGLES ±.005 ±.004 ±.020 FINAL SURFACE QUALITY REMOVE BURRS AND BREAK SHARP CORNERS			
MATERIAL LINC 8		DATE 7/27/66 DATE 8/1/66 DATE 8/1/66 DATE 8/1/66 DATE 8/1/66 DATE 8/1/66	
FINISH SCALE SHEET 1 OF 1		digital EQUIPMENT CORPORATION MAYNARD, MASSACHUSETTS TITLE FLOW DIAGRAM, LOAD SIZE CODE DFD LINC8-0-30 NUMBER LINC8-0-30 REV.	

This drawing and specifications, herein, are the property of Digital Equipment Corporation and shall not be reproduced or copied in whole or in part as the basis for the manufacture or sale of items without written permission.



REV	NO.	DATE	BY	CHKD.
A	2733	2-13-67	W. J. Hall	
EXTENSIVE CHANGES SEE ECO# 2733 & 3035				
HA	ECO# 5029	1-1-67		
CHGD DWG NO OF ITEMS UNDER FIND NO. 28, 29, 31, 32, 33, 34, 35, 36, 37, 38, 39, 40, 41, 42, 43, 44, 45, 46, 47, 48, 49, 50, 51, 52, 53				
CHG'D. ROCKER SWITCHES (REF. IN. NO. 9, 34, 35, 36, 37, 38, 39, 40, 41, 42, 43, 44, 45, 46, 47, 48, 49, 50, 51, 52, 53)				
MISC-0008				
VARTANIAN				

UNLESS OTHERWISE SPECIFIED		DRN	DATE	PARTS LIST	
DIMENSION IN INCHES		W. J. Hall	2-13-67	DIGITAL EQUIPMENT CORPORATION	
TOLERANCES		CHK'D.	DATE	TITLE	
DECIMALS	FRACTIONS	W. J. Hall	2-13-67	DWG INDEX LIST	
± .005	± 1/64	ENG	DATE	LINC 8	
FINAL SURFACE QUALITY		PROJ. ENGR.	DATE	SIZE CODE	
REMOVE BURRS AND BREAK SHARP CORNERS		W. J. Hall	2-13-67	DUA-LINC8-0-0	
MATERIAL		PROD.	DATE	NUMBER	
FINISH		W. J. Hall	2-13-67	DUA-LINC8-0-14	
FIRST USED ON		SCALE		SHEET 1 OF 5	
DUA-LINC8-0-0		DIST.		REV	

8 7 6 5 4 3 2 1

REV D
DUA-LINC8-0-14
B

ELECTRICAL				ELECTRICAL			
FIND NO.	DESCRIPTION	PART NO.	DEPT USAGE	FIND NO.	DESCRIPTION	PART NO.	DEPT USAGE
1	LINC8 OUTLINE DRAWING FLOW DIAGRAM, LOAD SYSTEM CONFIGURATION DATA TERM. PANEL LOGIC MODULE UTIL. (D. T. PANEL) MODULE PARTS LIST CABLES FOR LINC8 I/O LISTINGS CABLE LISTING EXTERNAL COMPONENT LIST MANUAL & AUTO OPERATIONS MODULE PARTS LIST POWER WIRING AC & DC CABLE LAYOUT OF CONTROL PANEL AC CABLES	A-WL-LINC8-0 E-DD-LINC8-0-13 D-FD-LINC8-0-30 D-SB-LINC8-0-1 D-BS-LINC8-0-2 D-WL-LINC8-0-3 A-PL-LINC8-0-3 D-ID-LINC8-0-4 D-IC-LINC8-0-5 D-IC-LINC8-0-6 A-CP-LINC8-0-7 D-FD-LINC8-0-9 A-PL-LINC8-0-8 D-IC-LINC8-0-10 D-IC-LINC8-0-11 A-IC-LINC8-0-12		15	FAN & MARGINAL CHECK ASSY	D-AD-7005229-0-0	
2	MEMORY UNIT (FIRST SECTION) WIRING LIST PANELS MA-MD PANELS ME-MJ PDP-8 ADDR INPUT GATE MAG TAPE READER/WRIER MAG TAPE MOTION CONTROL MAG TAPE TIMING GEN. MAG TAPE MODE CONTROL MAG TAPE MARK WINDOW TELEPRINTER X AXIS SELECTION Y AXIS SELECTION SENSE AMPS, INH. DRIVERS MEM. CONT. IN-OUT BUFFERS BUSS BAR	A-WL-LINC8-0-M K-WL-LINC8-0-M2 D-WL-LINC8-0-M3 D-WL-LINC8-0-M4 D-BS-LINC8-0-M8 D-BS-LINC8-0-M9 D-BS-LINC8-0-M10 D-BS-LINC8-0-M11 D-BS-LINC8-0-M12 D-BS-LINC8-0-M13 D-BS-LINC8-0-M111 D-BS-LINC8-0-M112 D-BS-LINC8-0-M113 D-BS-LINC8-0-M115 D-BS-LINC8-0-M116 D-AD-7005110-0-0		16	FAN HOUSING ASSY	D-AD-7005076-0-0	
3	REGISTER PLATE	D-AD-7404633-0-0		19	MARGINAL CHECK ASSY	D-AD-7005117-0-0	
12	LINC UNIT (SECOND SECTION) WIRING LIST PANELS LE-LJ PANELS LA-LD B REGISTER S & R REGISTER LINC. LEFT HALF A REGISTER RIGHT HALF A REGISTER R & Z REGISTERS PDP-8 AC INPUT GATES CONTROL REG. & INST DECODERS TIME PULSE DISTRIBUTOR LINC INTERFACE CONTROL I/O DECODERS CONTROL FUNCTIONS SKIP NETS CONTROL PULSE GATES S P Z T N & DIS. CONT. PULSES A & B REGISTER CONTROL PULSES MEMORY EXTENSION LINC SWITCHES & INDICATORS BUSS BAR	A-WL-LINC8-0-L K-WL-LINC8-0-L9 D-WL-LINC8-0-L10 D-WL-LINC8-0-L11 D-BS-LINC8-0-L2 D-BS-LINC8-0-L3 D-BS-LINC8-0-L4 D-BS-LINC8-0-L5 D-BS-LINC8-0-L6 D-BS-LINC8-0-L7 D-BS-LINC8-0-L14 D-BS-LINC8-0-L15 D-BS-LINC8-0-L16 D-BS-LINC8-0-L17 D-BS-LINC8-0-L18 D-BS-LINC8-0-L19 D-BS-LINC8-0-L20 D-BS-LINC8-0-L21 D-BS-LINC8-0-L22 D-BS-LINC8-0-L26 D-BS-LINC8-0-L28 D-AD-7005108-0-0		23	DATA TERM PANEL	E-AD-7005168-0-0	
14	PROCESSOR UNIT (THIRD SECTION) WIRE LIST PANELS PE TO PJ PANELS PA TO PD DATA BITS 00-11 GATES ANALOG SYSTEM MB REGISTER MODS. PDP-8 SWITCHES & INDICATORS ACCUMULATOR AC CONTROL PC & MA REGISTER MB REGISTER CONTROL MAJOR STATES & INSTRUCTION REG. MA, PC CONTROL TIMING, KEYS, SMS, & RUN INPUT-OUTPUT CONTROL BUS BAR	A-WL-LINC8-0-P K-WL-LINC8-0-P2 D-WL-LINC8-0-P3 D-WL-LINC8-0-P4 D-BS-LINC8-0-P23 D-BS-LINC8-0-P24 D-BS-LINC8-0-P25 D-BS-LINC8-0-P27 D-BS-LINC8-0-P102 D-BS-LINC8-0-P103 D-BS-LINC8-0-P104 D-BS-LINC8-0-P105 D-BS-LINC8-0-P106 D-BS-LINC8-0-P108 D-BS-LINC8-0-P109 D-BS-LINC8-0-P110 D-AD-7005109-0-0		25	CHIMES & SPEAKER	D-AD-7005232-0-0	
5	RESISTOR PLATE	D-AD-7404633-0-0		27	CONTROL PANEL	E-AD-7005114-0-0	
5	RESISTOR PLATE	D-AD-7404633-0-0		37	TAPE CHASSIS	D-AD-7404146-0-0	
5	RESISTOR PLATE	D-AD-7404633-0-0		39	SCOPE PARTS LIST CONSOLE & REPAIR	D-AD-3004810-0-0	
5	RESISTOR PLATE	D-AD-7404633-0-0		38	SCOPE PLUG IN PARTS LIST	D-AD-7404538-0-0	
5	RESISTOR PLATE	D-AD-7404633-0-0		45	POWER INPUT PANEL ASSY	D-AD-7005184-0-0	
5	RESISTOR PLATE	D-AD-7404633-0-0		52	708 POWER SUPPLY 708A POWER SUPPLY	C-CS-708 C-CS-708A	
5	RESISTOR PLATE	D-AD-7404633-0-0		53	783 POWER SUPPLY 783A POWER SUPPLY	C-CS-783 C-CS-783A	

MECHANICAL				MECHANICAL			
FIND NO.	DESCRIPTION (CONTINUED)	PART NO.	DEPT USAGE	FIND NO.	DESCRIPTION (CONTINUED)	PART NO.	DEPT USAGE
43	HORIZONTAL SUPPORT HORIZONTAL SUPPORT (P.L.)	D-1A-7405180-0-0 A-PL-7405180-0-0		43	HORIZONTAL SUPPORT HORIZONTAL SUPPORT (P.L.)	D-1A-7405180-0-0 A-PL-7405180-0-0	
44	CABINET FRAME ASS'Y 31 CABINET FRAME ASS'Y 31 (P.L.)	D-AD-7005078-0-0 A-PL-7005078-0-0		44	CABINET FRAME ASS'Y 31 CABINET FRAME ASS'Y 31 (P.L.)	D-AD-7005078-0-0 A-PL-7005078-0-0	
45	POWER INPUT PANEL ASSY 60 CYCLE POWER INPUT PANEL, 60 CYC (P.L.) POWER INPUT PANEL ASSY 50 CYCLE POWER INPUT PANEL, 50 CYC (P.L.) MTG PANEL (POWER INPUT) POWER INPUT PANEL INPUT POWER PANEL SCOTCHCAL FILM DECAL	D-AD-7005164-1-0 A-PL-7005164-1-0 D-AD-7005164-2-0 A-PL-7005164-2-0 D-WD-7405276-0-0 D-WD-7405275-0-0 SS-100104-1 A-SS-7405579-0-0		45	POWER INPUT PANEL ASSY 60 CYCLE POWER INPUT PANEL, 60 CYC (P.L.) POWER INPUT PANEL ASSY 50 CYCLE POWER INPUT PANEL, 50 CYC (P.L.) MTG PANEL (POWER INPUT) POWER INPUT PANEL INPUT POWER PANEL SCOTCHCAL FILM DECAL	D-AD-7005164-1-0 A-PL-7005164-1-0 D-AD-7005164-2-0 A-PL-7005164-2-0 D-WD-7405276-0-0 D-WD-7405275-0-0 SS-100104-1 A-SS-7405579-0-0	
46	DETACHABLE COVER DETACHABLE COVER (P.L.) KICK PLATE	D-1A-7405181-0-0 A-PL-7405181-0-0 B-WD-7405181-1-0		46	DETACHABLE COVER DETACHABLE COVER (P.L.) KICK PLATE	D-1A-7405181-0-0 A-PL-7405181-0-0 B-WD-7405181-1-0	
47	TABLE TABLE (P.L.) TABLE TOP TABLE FRAME	D-AD-7005080-0-0 A-PL-7005080-0-0 D-1A-7405353-3-0 D-1A-7405186-0-0		47	TABLE TABLE (P.L.) TABLE TOP TABLE FRAME	D-AD-7005080-0-0 A-PL-7005080-0-0 D-1A-7405353-3-0 D-1A-7405186-0-0	
48	TABLE FRAME TABLE FRAME (P.L.)	D-1A-7405188-0-0 A-PL-7405188-0-0		48	TABLE FRAME TABLE FRAME (P.L.)	D-1A-7405188-0-0 A-PL-7405188-0-0	
49	REAR DOOR ASS'Y REAR DOOR (P.L.) HINGE PIN (TOP) HINGE PIN (BOT) DOOR SPACER (BOT)	E-AD-7005171-0-0 A-PL-7005171-0-0 B-WD-20400-7 B-WD-20400-8 A-WD-7405312-0-0		49	REAR DOOR ASS'Y REAR DOOR (P.L.) HINGE PIN (TOP) HINGE PIN (BOT) DOOR SPACER (BOT)	E-AD-7005171-0-0 A-PL-7005171-0-0 B-WD-20400-7 B-WD-20400-8 A-WD-7405312-0-0	
50	REAR DOOR	E-1A-7405290-0-0		50	REAR DOOR	E-1A-7405290-0-0	
51	END PANEL ASS'Y END PANEL (P.L.)	E-1A-7405092-0-0 E-1A-7405092-0-0		51	END PANEL ASS'Y END PANEL (P.L.)	E-1A-7405092-0-0 E-1A-7405092-0-0	
52	708 POWER SUPPLY (60 CYCLE) 708 POWER SUPPLY (60 CYC) (P.L.) 708A POWER SUPPLY (50 CYCLE) 708A POWER SUPPLY (50 CYC) (P.L.)	D-MA-708-0-1 D-MA-708-0-1 D-MA-708A-0-1 D-MA-708A-0-1		52	708 POWER SUPPLY (60 CYCLE) 708 POWER SUPPLY (60 CYC) (P.L.) 708A POWER SUPPLY (50 CYCLE) 708A POWER SUPPLY (50 CYC) (P.L.)	D-MA-708-0-1 D-MA-708-0-1 D-MA-708A-0-1 D-MA-708A-0-1	
53	POWER SUPPLY TYPE 783 (60 CYCLE) POWER SUPPLY TYPE 783 (60 CYC) (P.L.) POWER SUPPLY TYPE 783 (50 CYCLE) POWER SUPPLY TYPE 783 (50 CYC) (P.L.)	D-MA-783-0-0 A-PL-783-0-0 (P.L.) D-MA-783A-0-0 A-PL-783A-0-0		53	POWER SUPPLY TYPE 783 (60 CYCLE) POWER SUPPLY TYPE 783 (60 CYC) (P.L.) POWER SUPPLY TYPE 783 (50 CYCLE) POWER SUPPLY TYPE 783 (50 CYC) (P.L.)	D-MA-783-0-0 A-PL-783-0-0 (P.L.) D-MA-783A-0-0 A-PL-783A-0-0	

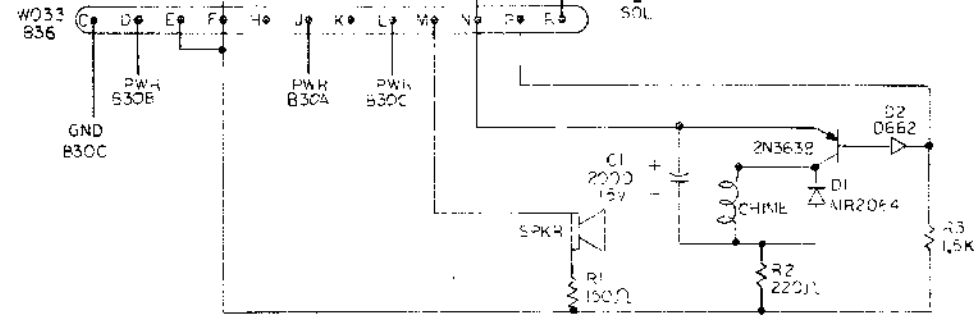
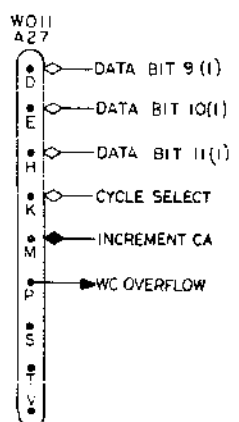
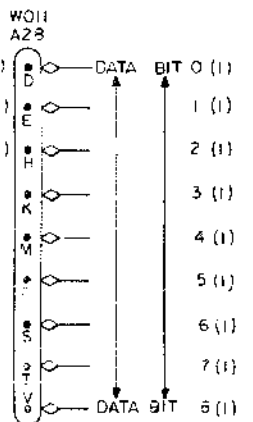
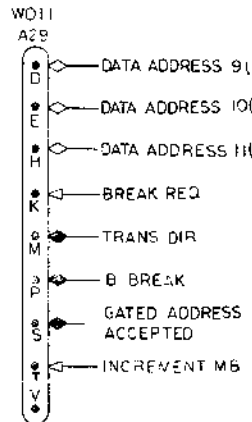
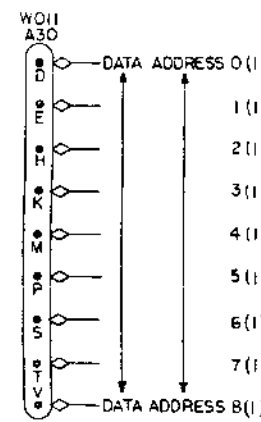
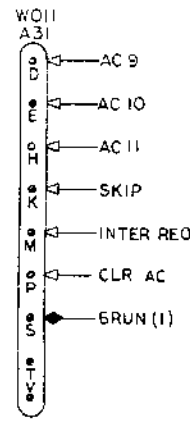
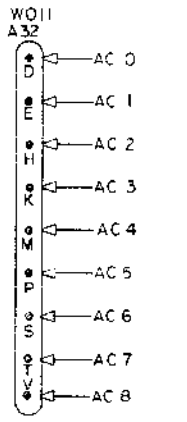
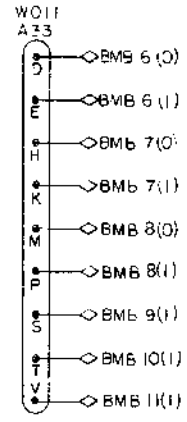
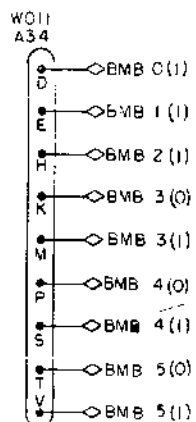
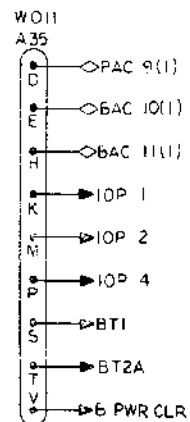
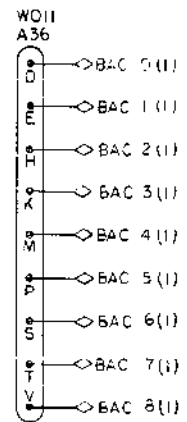
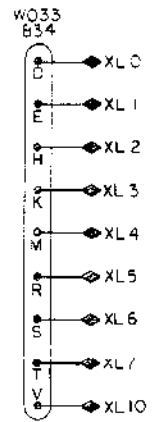
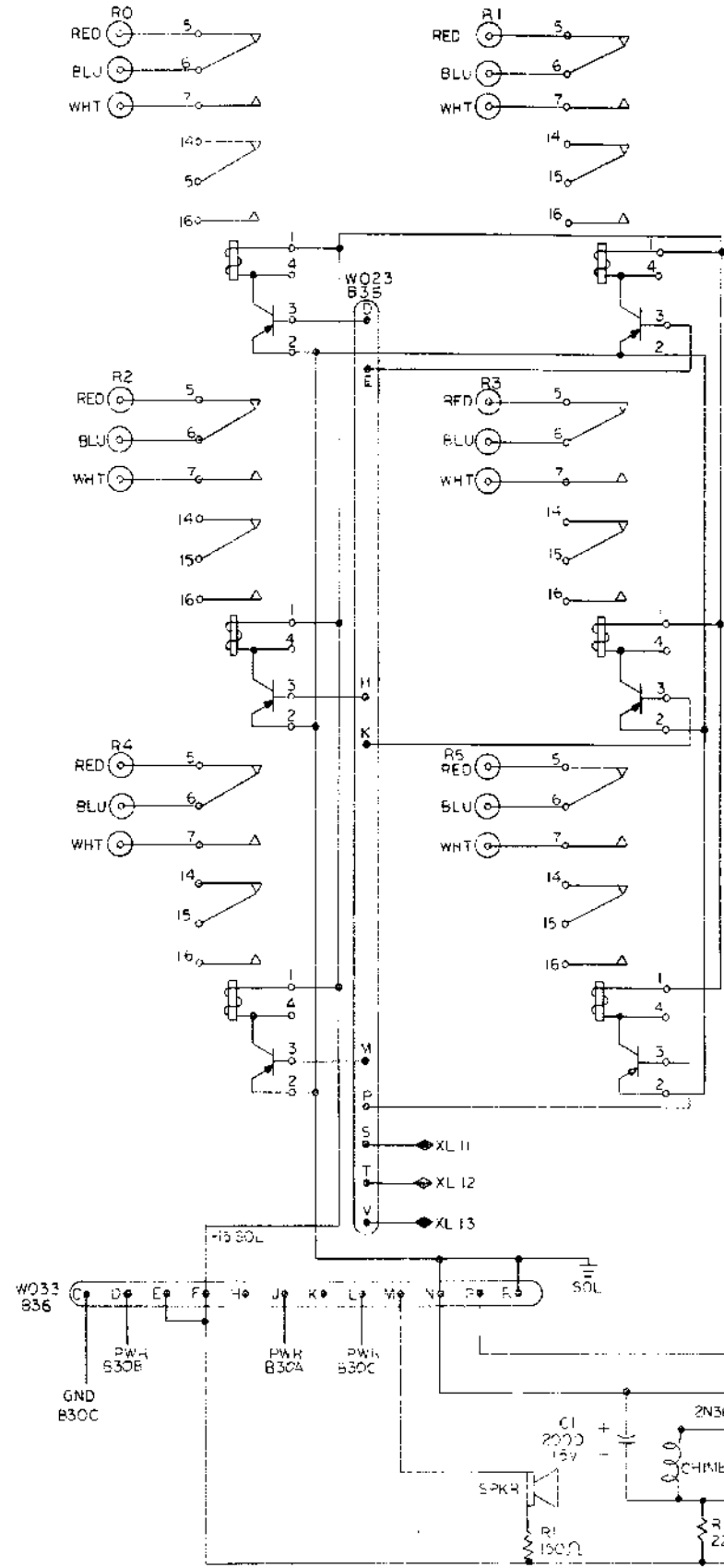
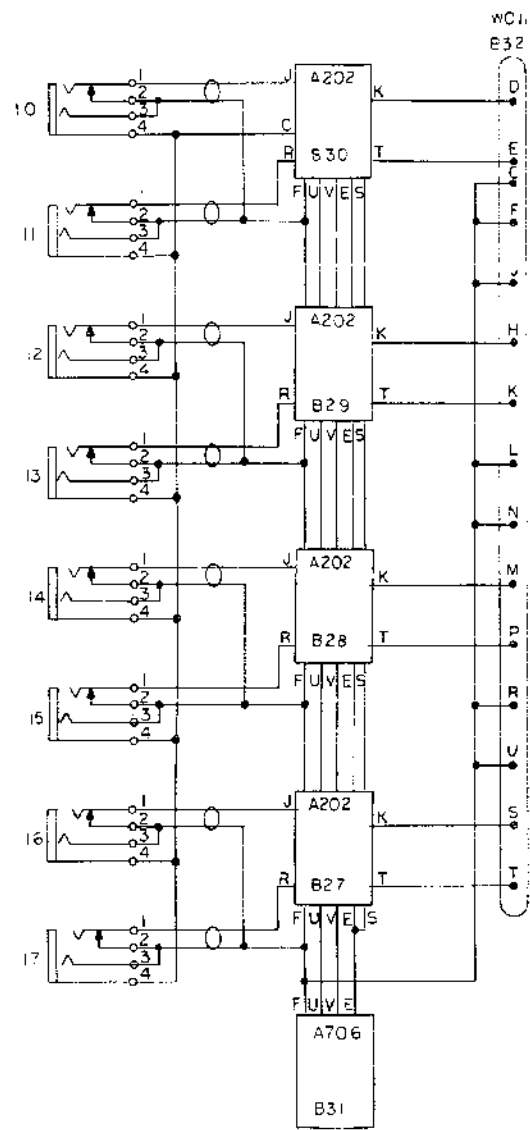
REV. 1	CHANGE NO.	DATE	BY
1		2-15-67	W. Marshall
2		2-18-67	W. Marshall
3		5-16-67	W. Marshall
4		5-16-67	W. Marshall
5		5-16-67	W. Marshall
6		5-16-67	W. Marshall
7		5-16-67	W. Marshall
8		5-16-67	W. Marshall

UNLESS OTHERWISE SPECIFIED	BRN	DATE	2-15-67
UNLESS OTHERWISE SPECIFIED	CHND.	DATE	2-18-67
TOLERANCES	ENG	DATE	5-16-67
DECIMALS FRACTIONS ANGLES	PROF. ENG.	DATE	5-16-67
± .005 ± 1/64 ± 0°30'	DATE	DATE	5-16-67
REMOVE BURRS AND BREAK 5-RAMP CORNERS	DATE	DATE	5-16-67
MATERIAL	FIRST USED BY		
FINISH	SCALE		
++	DUA-LINC8-0-0		
++	SHEET		
	2 OF 3		

PARTS LIST	
digital EQUIPMENT CORPORATION	
TITLE	
DWG INDEX LIST	
LINC8	
SIZE/CD	NUMBER
D/DI	LINC8-0-14
DIST.	REV
	0

This drawing and specifications, herein, are the property of Digital Equipment Corporation and shall not be reproduced or copied or used in whole or in part as the basis for the manufacture or sale of items without written permission.

D
C
B
A



REVISIONS	REV.
CHANGE NO.	
CHK	

QTY.	DESCRIPTION	PART NO.	ITEM NO.
PARTS LIST			
UNLESS OTHERWISE SPECIFIED		DATE 9-13-60	
DIMENSION IN INCHES		DATE 1-19-64	
TOLERANCES		DATE	
DECIMALS	FRACTIONS	ANGLES	
= .05	= 1/64	= 30	
FINAL SURFACE QUALITY		DATE	
REMOVE BURRS AND BREAK SHARP CORNERS		DATE	
MATERIAL		FIRST USED ON	
FINISH		-UA-LINCS-0-0	
SCALE		SIZE CODE	NUMBER
SHIFT OF		D B S	LINCS-0-2

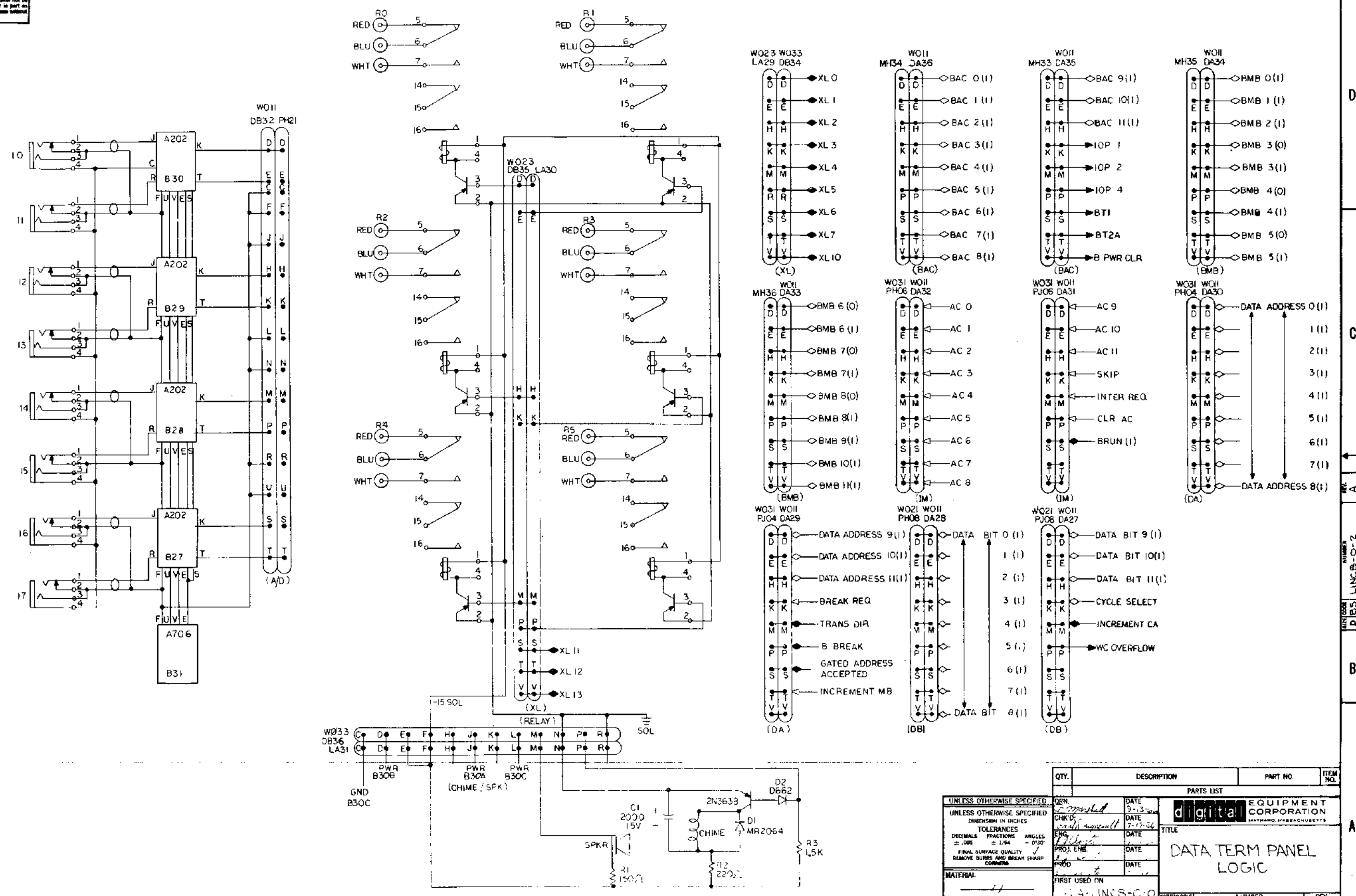
REV. NUMBER
D B S LINCS-0-2

B

A

This drawing and specifications herein are the property of Digital Equipment Corporation and shall not be reproduced or copied in whole or in part or be the basis for the manufacture or sale of items without written permission.

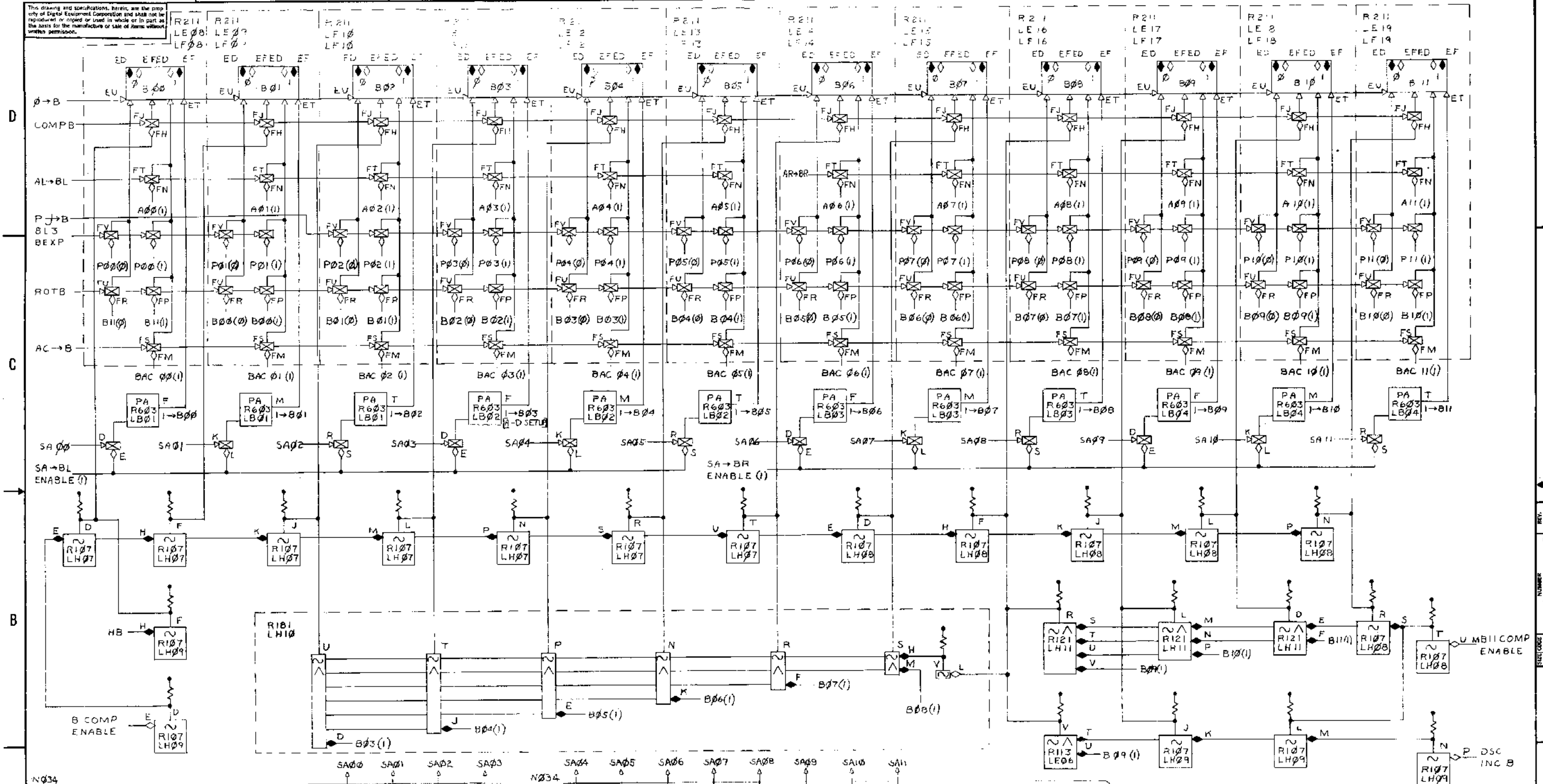
D
C
B
A



REVISIONS	CHANGE NO.	REV.	A
CHK	LINC-00004		
DATE	7-17-64		
BY	MILTON		
	5-1-24		

QTY.	DESCRIPTION	PART NO.	ITEM NO.
PARTS LIST			
UNLESS OTHERWISE SPECIFIED	DRN	DATE	7-13-64
UNLESS OTHERWISE SPECIFIED	CHKD	DATE	7-17-64
DIMENSIONS IN INCHES	ENG	DATE	
TOLERANCES	PROJ. ENG.	DATE	
DECIMALS FRACTIONS ANGLES	PROD.	DATE	
± .005 ± .004 - .0150	FIRST USED ON		
FINAL SURFACE QUALITY	LA-LINC-0-0		
REMOVE BURRS AND BREAK SHARP CORNERS	SCALE	NUMBER	REV.
	SHEET 1 OF 1	D15, LINC-0-2	A

This drawing and specifications, herein, are the property of Digital Equipment Corporation and shall not be reproduced or copied or used in whole or in part as the basis for the manufacture or sale of items without written permission.



N034	PA0:	A	B	D	E	F	H	J	K	L	M	N	P	R	S	T	U	V
LA22	LA22:	A	B	D	E	F	H	J	K	L	M	N	P	R	S	T	U	V
RA33	RA33:	A	B	D	E	F	H	J	K	L	M	N	P	R	S	T	U	V

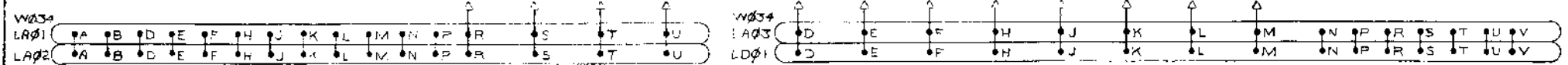
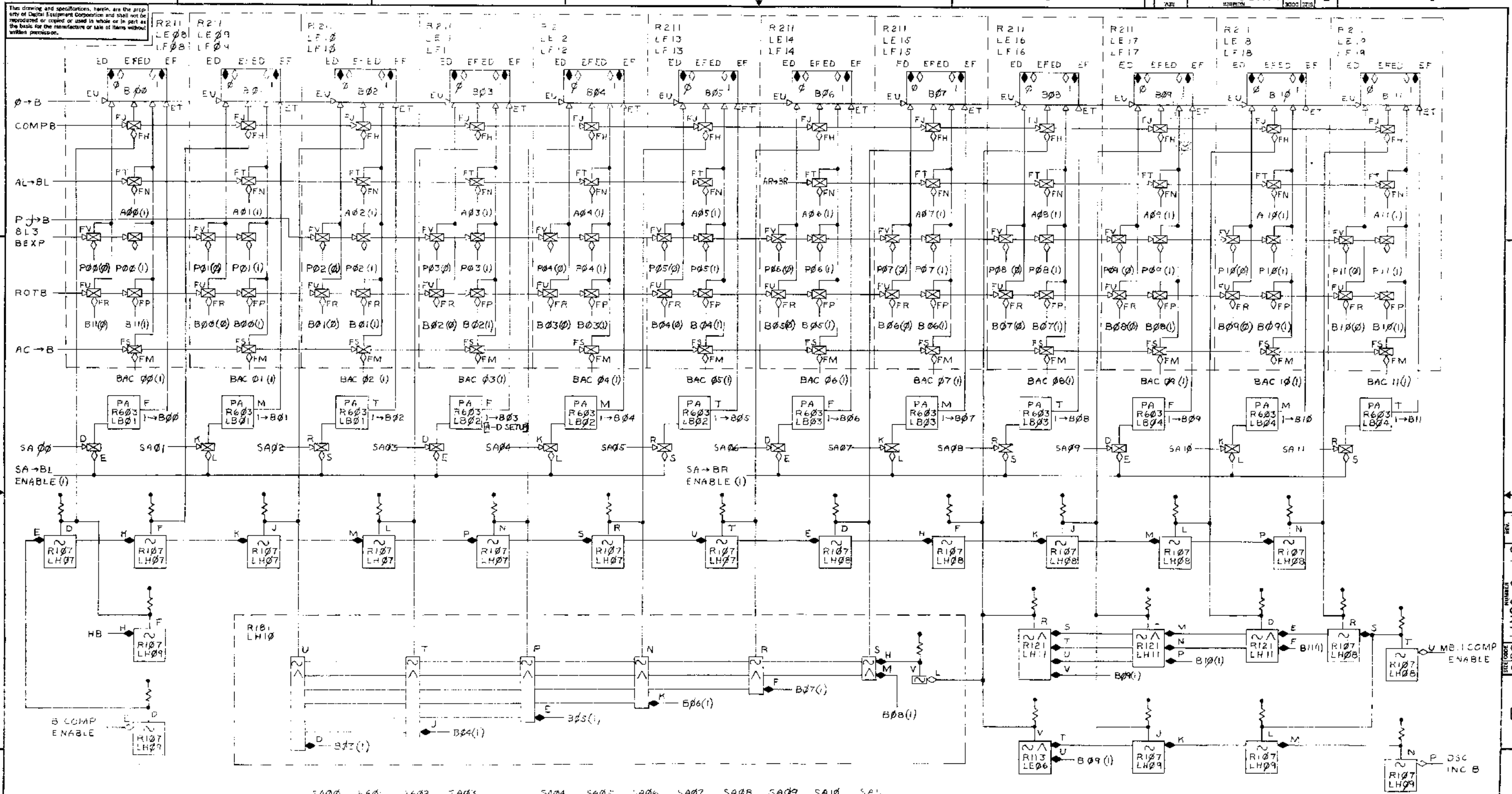
N034	SA00	A	B	D	E	F	H	J	K	L	M	N	P	R	S	T	U	V
PB01	SA01	D	E	F	H	J	K	L	M	N	P	R	S	T	U	V	W	X
LA03	SA02	D	E	F	H	J	K	L	M	N	P	R	S	T	U	V	W	X
LD01	SA03	D	E	F	H	J	K	L	M	N	P	R	S	T	U	V	W	X
MD40	SA04	D	E	F	H	J	K	L	M	N	P	R	S	T	U	V	W	X
	SA05	D	E	F	H	J	K	L	M	N	P	R	S	T	U	V	W	X
	SA06	D	E	F	H	J	K	L	M	N	P	R	S	T	U	V	W	X
	SA07	D	E	F	H	J	K	L	M	N	P	R	S	T	U	V	W	X
	SA08	D	E	F	H	J	K	L	M	N	P	R	S	T	U	V	W	X
	SA09	D	E	F	H	J	K	L	M	N	P	R	S	T	U	V	W	X
	SA10	D	E	F	H	J	K	L	M	N	P	R	S	T	U	V	W	X
	SA11	D	E	F	H	J	K	L	M	N	P	R	S	T	U	V	W	X

MB11 COMPENABLE	L10	AB0 TO A05	LB4
P TO B	L22	AB0 TO A11	LB5
R TO B	L22	AC TO B	L22
SA TO BL ENABLE	L22	AL TO BL	L22
SA TO BR ENABLE	L22	AR TO BR	L22
B TO B	L22	BAC 00 TO BAC 11	L17
BL3 BEXP	L28	BCONENABLE	L15
		COMP B	L22
		DSC INCB	L18
		HB	L10

QTY.	DESCRIPTION	PART NO.	ITEM NO.
PARTS LIST			
UNLESS OTHERWISE SPECIFIED			
DIMENSION IN INCHES			
TOLERANCES			
DECIMALS FRACTIONS ANGLES			
± .005 ± .004 ± 0°30'			
FINAL SURFACE QUALITY			
REMOVE BURRS AND BREAK SHARP CORNERS			
MATERIAL			
FINISH			
FIRST USED ON			
LINC 8			
SCALE			
SHEET 1 OF 1			
TITLE		NUMBER	REV.
B REGISTER		D85 LINC8-0-L2	A
DIST.			

REV.	DATE	BY
1	7/2/66	W.E. Bernier
2	10/20/66	W.E. Bernier
3	10/20/66	W.E. Bernier
4	10/20/66	W.E. Bernier
5	10/20/66	W.E. Bernier
6	10/20/66	W.E. Bernier
7	10/20/66	W.E. Bernier
8	10/20/66	W.E. Bernier

REV. A
NUMBER
LINC8-0-L2
SIZE CODE
D85



REV.	DESCRIPTION

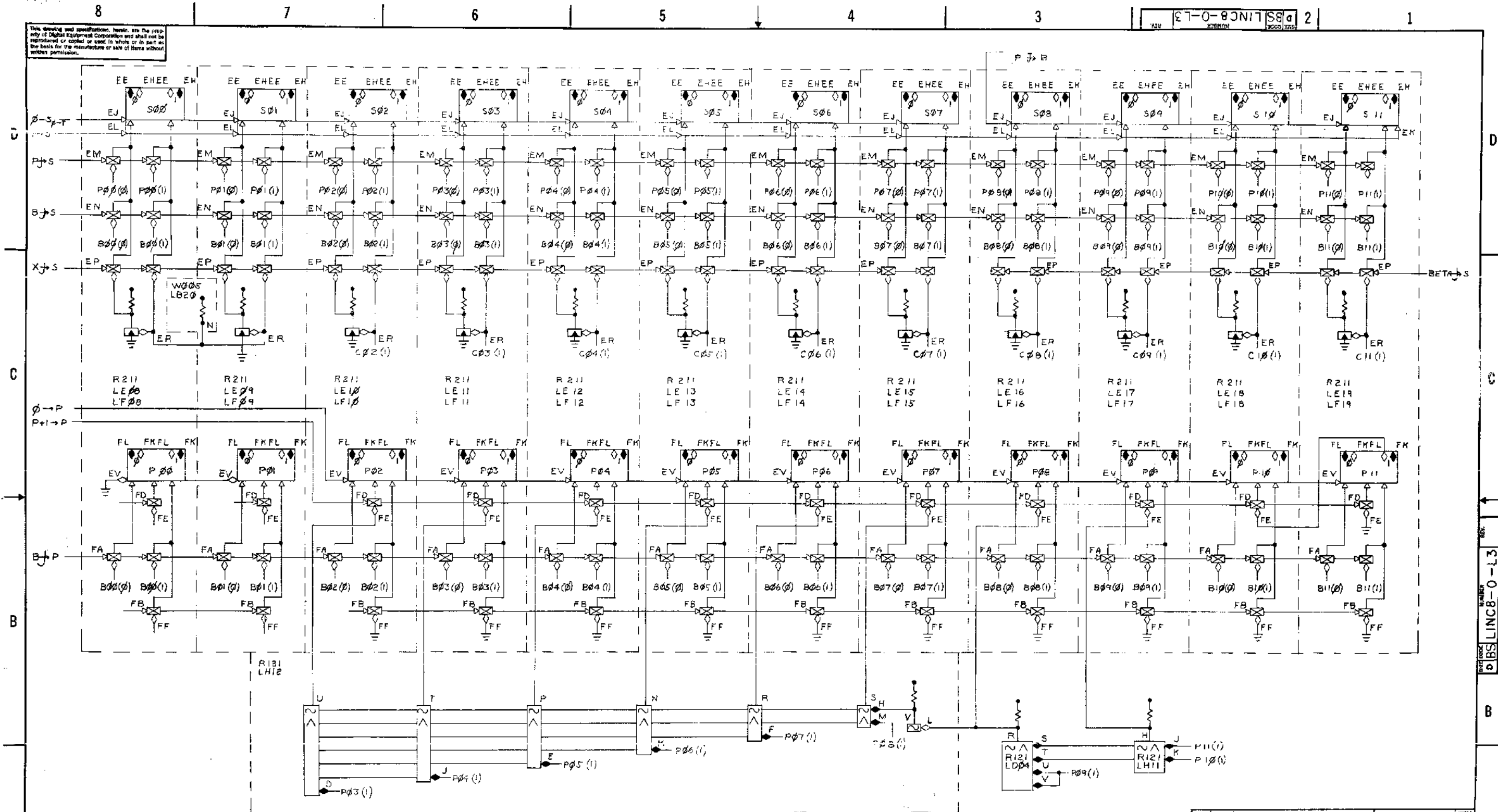
W034	LA01	A	B	D	E	F	H	J	K	L	M	N	P	R	S	T	U
LA02	A	B	D	E	F	H	J	K	L	M	N	P	R	S	T	U	

SB11 COMPENABLE	L18	AB8 TO AB5	LB4
P TO B	L22	AB6 TO A11	LB5
R TO B	L22	AC TO B	L22
SA TO BL ENABLE	L22	AL TO BL	L22
SA TO BR ENABLE	L22	AR TO BR	L22
B TO B	L22	SFC BR TO BAC 11	L17
BL3 BEXP	LCB	BCOMENABLE	L15
		COMP B	L22
		CSC INCB	L18
		HB	L18

UNLESS OTHERWISE SPECIFIED		DIM. <i>R. E. Bermer</i> DATE <i>7-7-66</i>		PARTS LIST	
UNLESS OTHERWISE SPECIFIED		CHKD. <i>[Signature]</i> DATE <i>[Date]</i>	digital EQUIPMENT CORPORATION		
DIMENSION IN INCHES		TITLE			
TOLERANCES		B REGISTER			
DECIMALS FRACTIONS ANGLES		DATE			
±.006 ±.004 ±.030		DATE			
FINAL SURFACE QUALITY		DATE			
REMOVE BURRS AND BREAK SHARP CORNERS		DATE			
MATERIAL		FIRST USED ON			
FINISH		LINC 8			
		SCALE		SIZE/CODE	
		SHEET 1 OF 1		NUMBER	
				DIST. DBS LINC8-C-L2	
				REV.	

This drawing and specifications, herein, are the property of Digital Equipment Corporation and shall not be reproduced or copied or used in whole or in part as the basis for the manufacture or sale of items without written permission.

2
DBS LINC 8-0-L3



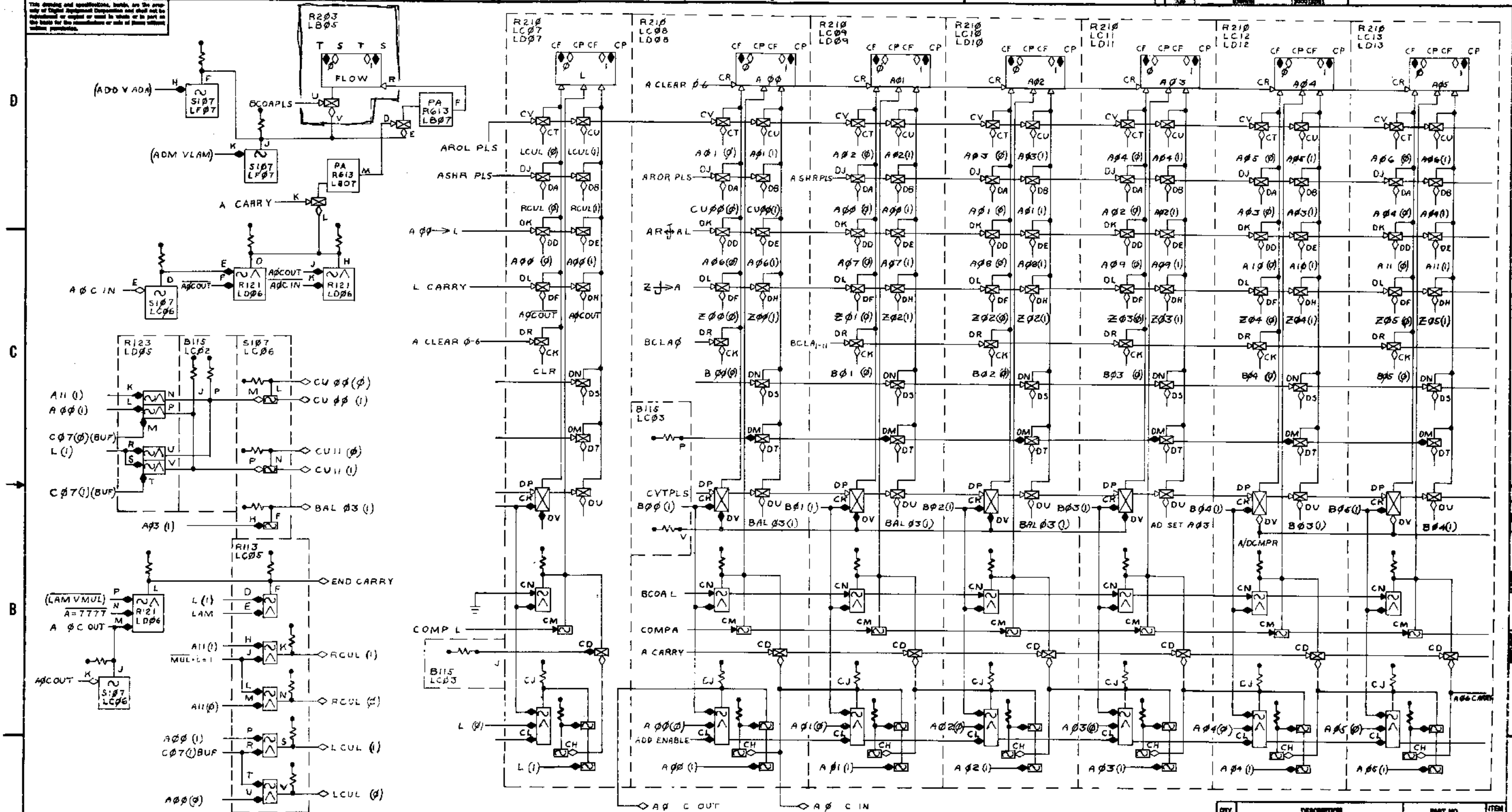
REV.	CHANGE NO.

B TO P	L21
B TO S	L21
BETA TO S	L21
B2 TO C 11	L14
P TO B	L22
P TO S	L21
P 1 TO P	L21
X TO S	L21
P TO B	L29
B TO S (C-7)	L21
1 TO S	L28

UNLESS OTHERWISE SPECIFIED
DIMENSION IN INCHES
TOLERANCES
DECIMALS FRACTIONS ANGLES
±.005 ±.002 ±.030
FINAL SURFACE QUALITY
REMOVE BURRS AND BREAK SHARP CORNERS

QTY.	DESCRIPTION	PART NO.	ITEM NO.
PARTS LIST			
DBS LINC 8-0-L3		DIGITAL EQUIPMENT CORPORATION MAYNARD MASSACHUSETTS	
S+P		REGISTERS	
SCALE	SHEET	DIST.	REV.
LINC 8	OF		

This drawing and specifications, herein, are the property of Digital Equipment Corporation and shall not be reproduced or copied or used in whole or in part in any form for the manufacture or sale of items without written permission.



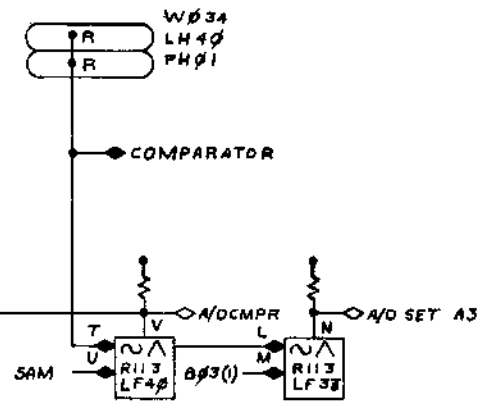
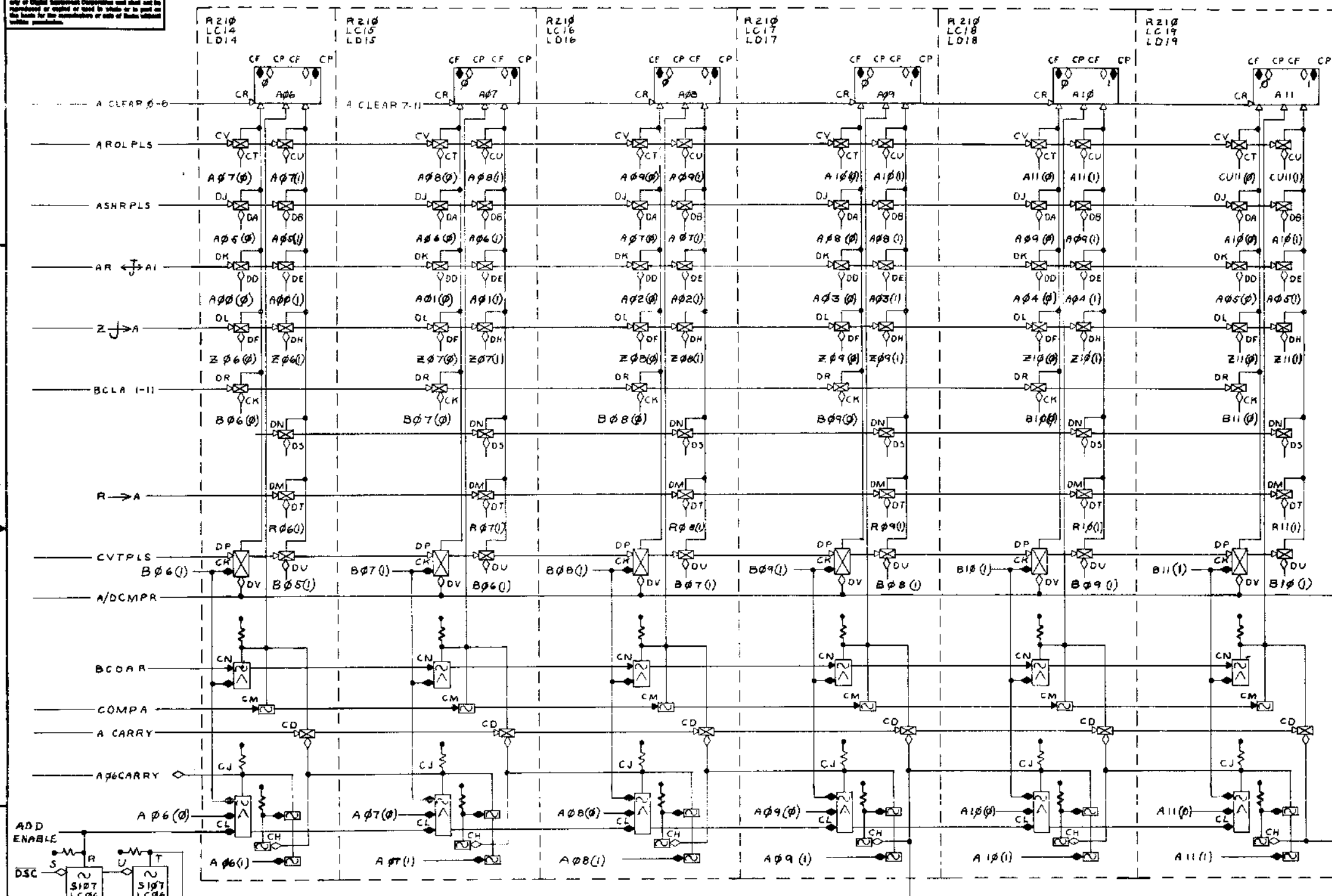
REV.	
DATE	
BY	
CHECKED	
APPROVED	

280 TO 284	L86	BCIAL	L22	A CARRY	L22
205	L86	BCOAPLS	L22	A CLEAR B B6	L28
A TO D COMPAR	L85	CB7 (BUF)	L14	A EG 7777	L19
		CLR	L18	ABS TO A11	L85
		COMP L	L22	AR TO FM AL	L22
		1 EQ 1 NCT MUL	L18	AR3PLS	L22
		L CARRY	L20	ASRPLS	L22
		LAM	L14	ASHRPLS	L22
(ADD V ADA)	L18	(ADM V LAM)	L18	ABS TO L	L28
(ADM V LAM)	L18	(LAM V MUL)	L18	ABS CARRY	L85
				ABS TO B05	L82
				SCLA B	L22

UNLESS OTHERWISE SPECIFIED	DATE	7/2/66
DIMENSION IN INCHES	DATE	3-10-66
TOLERANCES	DATE	10-1-66
DIMENSIONAL FRACTIONS	DATE	10-1-66
± .005 ± .004 ± .002	DATE	10-1-66
FINISH SURFACE QUALITY	DATE	10-1-66
REMOVE BURRS AND DEBURR SHARP CORNERS	DATE	10-1-66
MATERIAL	DATE	10-1-66
FINISH	DATE	10-1-66

QTY.	DESCRIPTION	PART NO.	ITEM NO.
PARTS LIST			
	LINC 8		
	DBSLINC8-O-L4		
TITLE		EQUIPMENT CORPORATION	
LINK, LEFT HALF		MAYFIELD, MASSACHUSETTS	
A REGISTER			
SCALE	DIST.	REV.	
SHEET 1 OF 1			

This drawing and specifications, herein, are the property of Digital Equipment Corporation and shall not be reproduced or copied or used in whole or in part in any form for the manufacture of parts of this product without written permission.



REV.	
CHG.	
REV.	
CHG.	

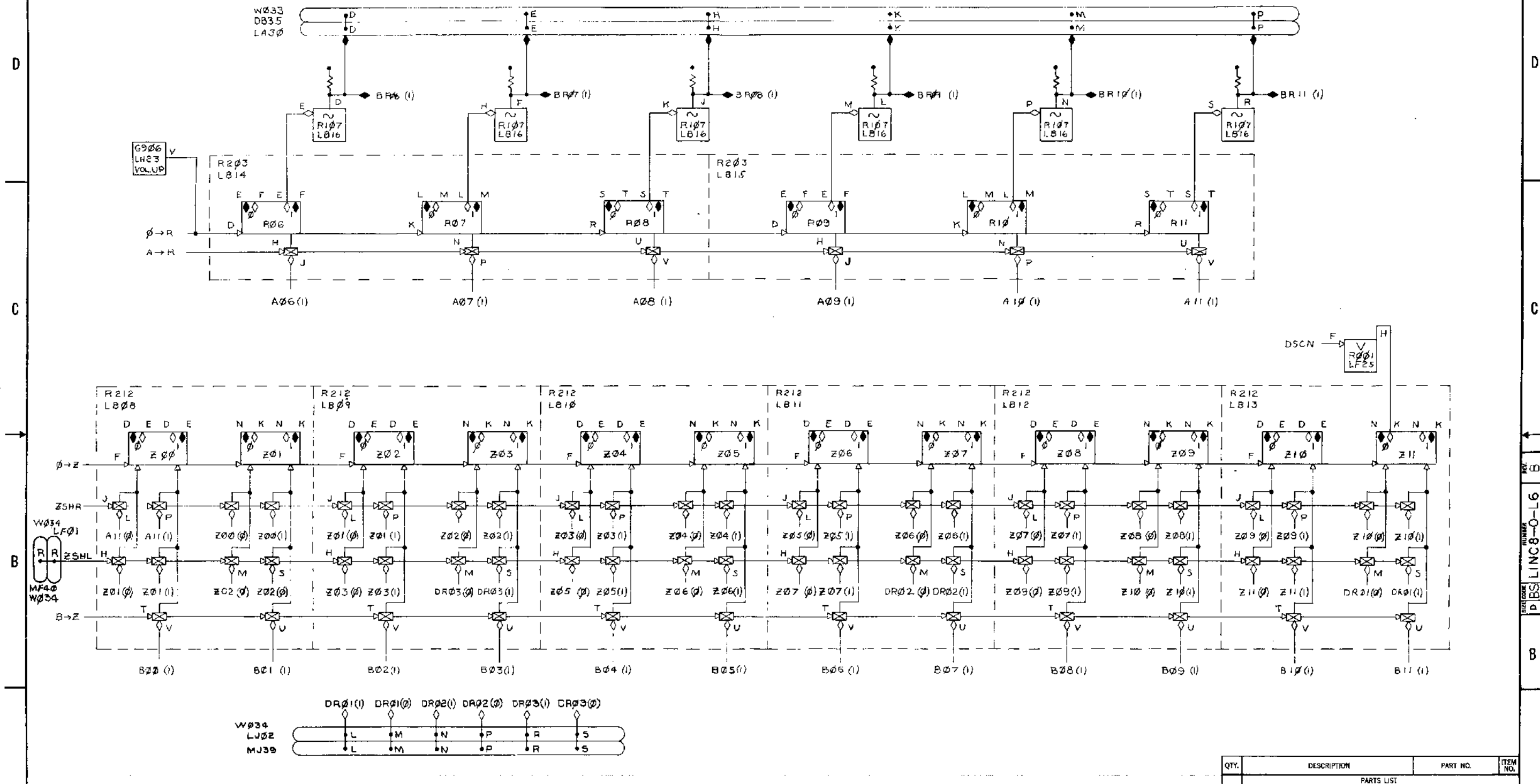
DSC	L14
END CARRY	L84
R TO A	L22
R86 TO R11	L86
SAM	L14
Z TO A	L22
Z86 TO Z11	L86

A CLEAR 0-06	L20
A CLEAR 7-11	L22
ADD TO A84	L84
883 TO 811	L82
8CLA 1-11	L22
8COAR	L22
8COMP A	L22
8COMPARATOR	P24
CU 1(L)	L84
CU 11(L)	L84
CVTPLS	L22

UNLESS OTHERWISE SPECIFIED
 DIMENSIONS IN INCHES
 TOLERANCES
 DECIMALS FRACTIONS ANGLES
 IN .001 ± .001 ± 0°30'
 FINISH SURFACE QUALITY
 REMOVE BURRS AND BREAK SHARP CORNERS

QTY.	DESCRIPTION	PART NO.	ITEM NO.
PARTS LIST			
	DIGITAL EQUIPMENT CORPORATION		
TITLE		NUMBER	REV.
RIGHT HALF		D85 LINC8-0-L5	
A REGISTER			
FIRST USED ON		SCALE	SHEET
LINC 8		OF	
		DWT.	

This drawing and specifications, herein, are the property of Digital Equipment Corporation and shall not be reproduced or copied or used in whole or in part as the basis for the manufacture or sale of items without written permission.



REV.	CHANGE NO.	DATE	BY
1	1	1/15/68	JML/TUN
2	1	1/15/68	JML/TUN

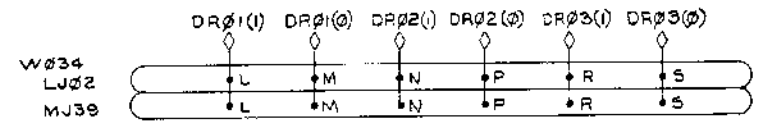
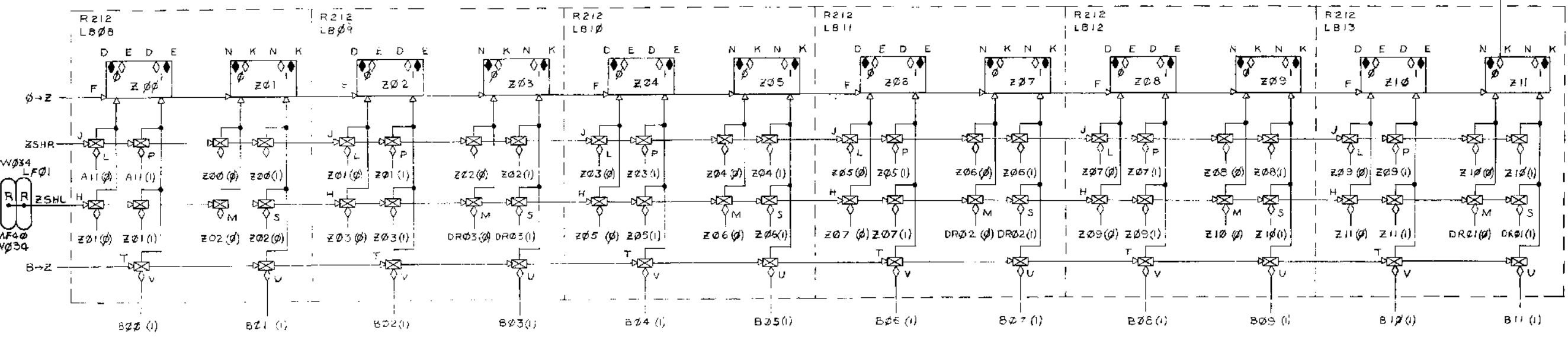
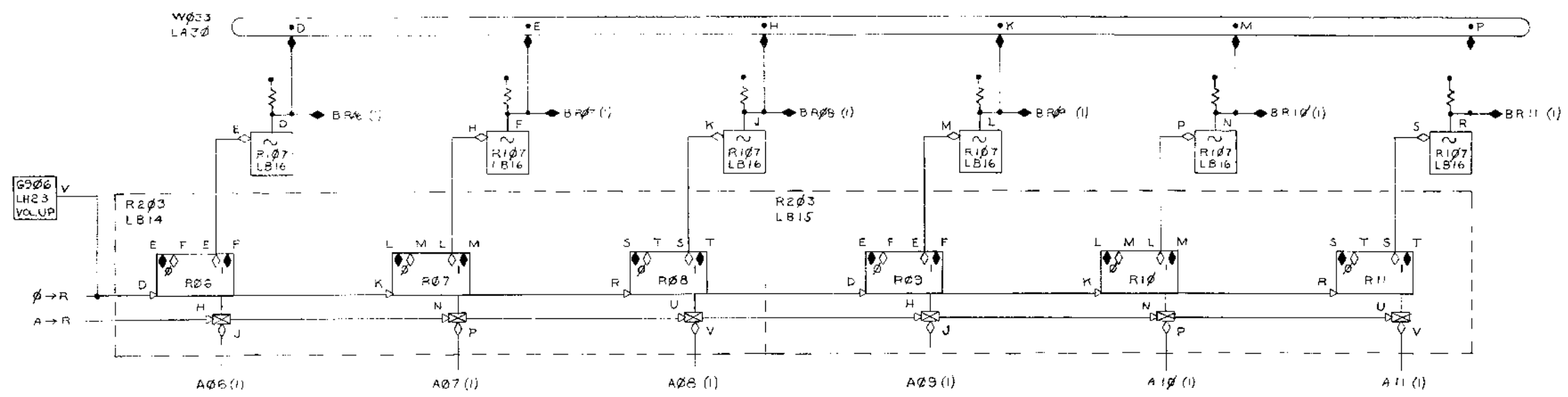
A TO R	L28
A06 TO A11	L05
B TO Z	L21
B00 TO B11	L02
DR1-DR3	M09
DSCN	L21
ZSHR	L21
B TO R	L28
B TO Z	L21

UNLESS OTHERWISE SPECIFIED	DRN	DATE
UNLESS OTHERWISE SPECIFIED	CHKD	DATE
DIMENSION IN INCHES	DATE	DATE
TOLERANCES	DATE	DATE
DECIMALS FRACTIONS ANGLES	DATE	DATE
± .005 ± 1/64 ± 0°30'	DATE	DATE
FINAL SURFACE QUALITY	DATE	DATE
REMOVES BURRS AND BREAK SHARP CORNERS	DATE	DATE
MATERIAL	DATE	DATE
FINISH	DATE	DATE

QTY.	DESCRIPTION	PART NO.	ITEM NO.
	PARTS LIST		
	digital EQUIPMENT CORPORATION MAYFARL MANSFIELD MASSACHUSETTS		
	TITLE RZ REGISTERS		
	SCALE	NUMBER	REV.
	LINC 8	D BS LINC8-0-L6	B
	SHEET	OF	

REV. NO. B BS LINC8-0-L6

This drawing and specifications, herein, are the property of Digital Equipment Corporation and shall not be reproduced or copied in whole or in part as the basis for the manufacture or sale of items without written permission.



REV.	DATE	BY	CHK.
A			

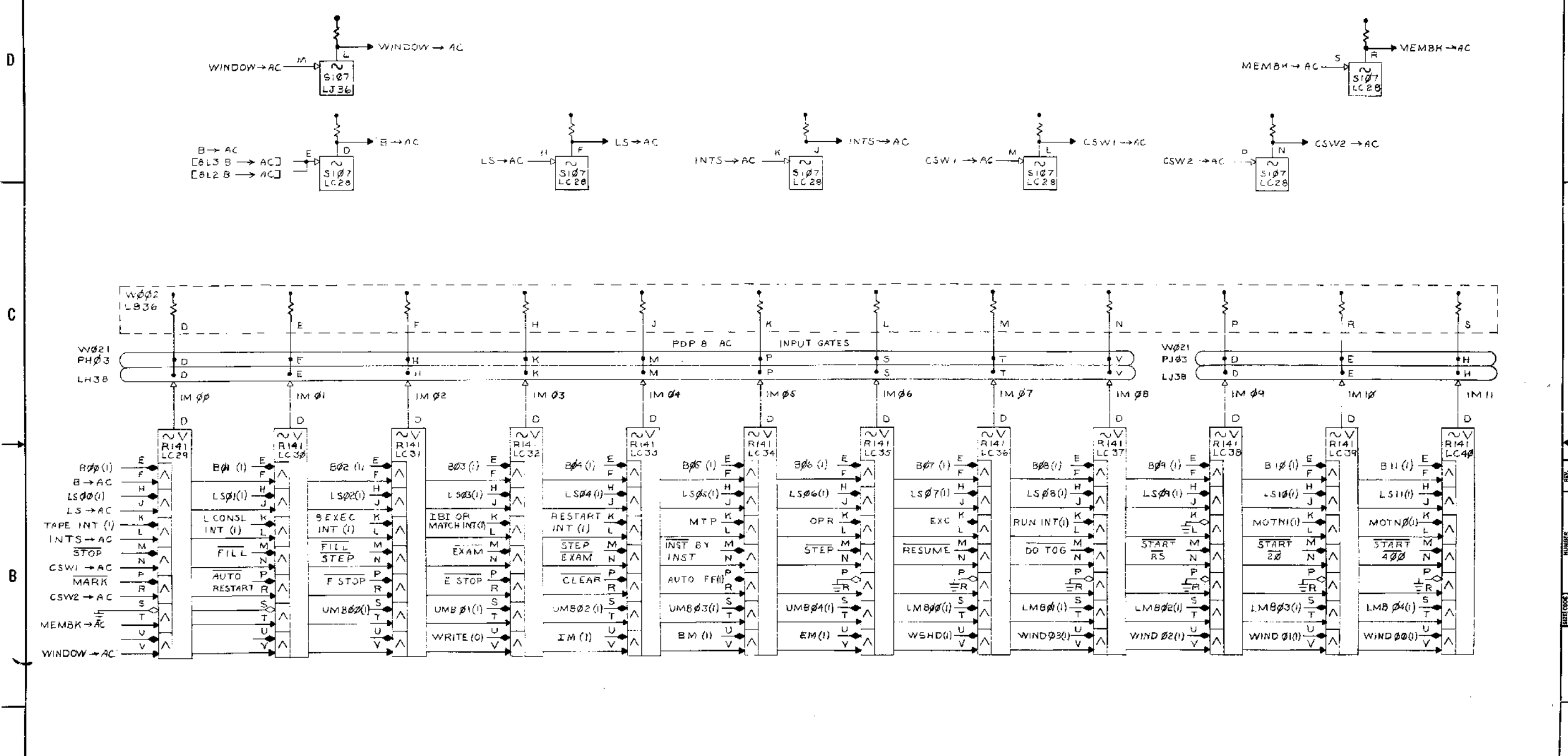
A TO R	L20
A06 TO A11	L25
B TO Z	L21
B06 TO B11	L22
DR1-DR3	M09
DSCN	L21
ZSHR	L21
B TO R	L20
B TO Z	L21

UNLESS OTHERWISE SPECIFIED
DIMENSION IN INCHES
TOLERANCES
DECIMALS FRACTIONS ANGLES
±.005 ± 1/64 = 0'30"
FINAL SURFACE QUALITY
REMOVE BURRS AND BREAK SHARP CORNERS

QTY.	DESCRIPTION	PART NO.	ITEM NO.
PARTS LIST			
digital EQUIPMENT CORPORATION			
TITLE R&Z REGISTERS			
FIRST USED ON LINC 8		SIZE CODE D	NUMBER LINC8-C-L6
SCALE		SHEET	REV. A

REV. NO. 1
LINC8-0-L6
A

This drawing and specifications, herein, are the property of Digital Equipment Corporation and shall not be reproduced or copied in whole or in part as the basis for the manufacture or sale of items without written permission.



REV.	CHG. NO.	DATE
A	2-23-67	

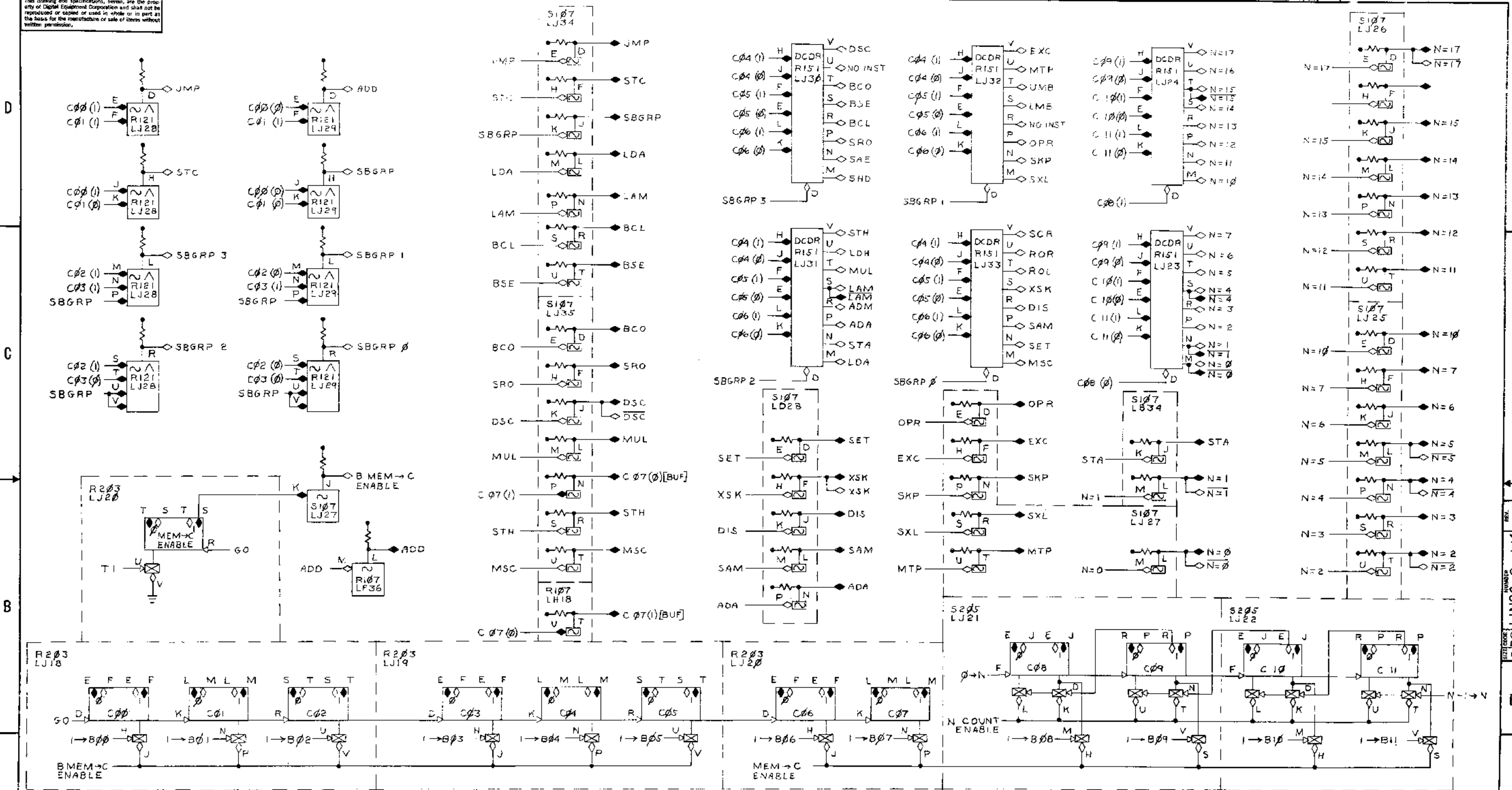
AUTO FF	L16	LMB #1 TO LMB #4	L26	STEP EXAM	L16
AUTO RESTART	L16	LS TO AC	L17	STEP EXAM	L16
B TO AC	L17, L20	LS 00 TO LS 08	L18	STOP	L18
CLEAR	L16	LS 09 TO LS 11	L19	TAPE INT	L16
DO TCG	L16	MARK	L16	UMB00 TO UMB04	L26
E STOP	L16	NOTN00 TO NOTN03	M12	B EXEC INT	L16
EXAM	L16	MTP	L14	WINDOW - AC	L17
F STOP	L14	OPR	L14	WIND 00-23	M13
FILL	L16	RESTART INT	L16	WRITE	M12
FILL STEP	L16	RESUME	L16	IM	M13
IBI OR MATCH INT	L16	RUN INT	L18	EM	M13
INST BY INST	L16	START RS	L16	BM	M12
LCONSL INT	L16	START 20	L16		
		START 400	L16		
		B 00-11	L02		

UNLESS OTHERWISE SPECIFIED	DRY	DATE
UNLESS OTHERWISE SPECIFIED	CHKD	DATE
DIMENSION IN INCHES	ENG	DATE
TOLERANCES	PROJ. ENG.	DATE
DECIMALS FRACTIONS ANGLES	PROD.	DATE
±.005 ±.1/64 ±.030		
FINAL SURFACE QUALITY		
REMOVE BURRS AND BREAK SHARP CORNERS		
MATERIAL	FIRST USED ON	
	LINC 8	
FINISH	SCALE	
	SHEET OF 1	

QTY.	DESCRIPTION	PART NO.	ITEM NO.
PARTS LIST			
digital EQUIPMENT CORPORATION			
TITLE			
PDP-8 AC INPUT GATES			
SIZE CODE	NUMBER	REV.	
DBS LINC8-0-L7		A	
DIST.			

DRAWING NUMBER DBS LINC8-0-L7 A

This drawing and specifications, herein, are the property of Digital Equipment Corporation and shall not be reproduced or copied or used in whole or in part as the basis for the manufacture or sale of items without written permission.



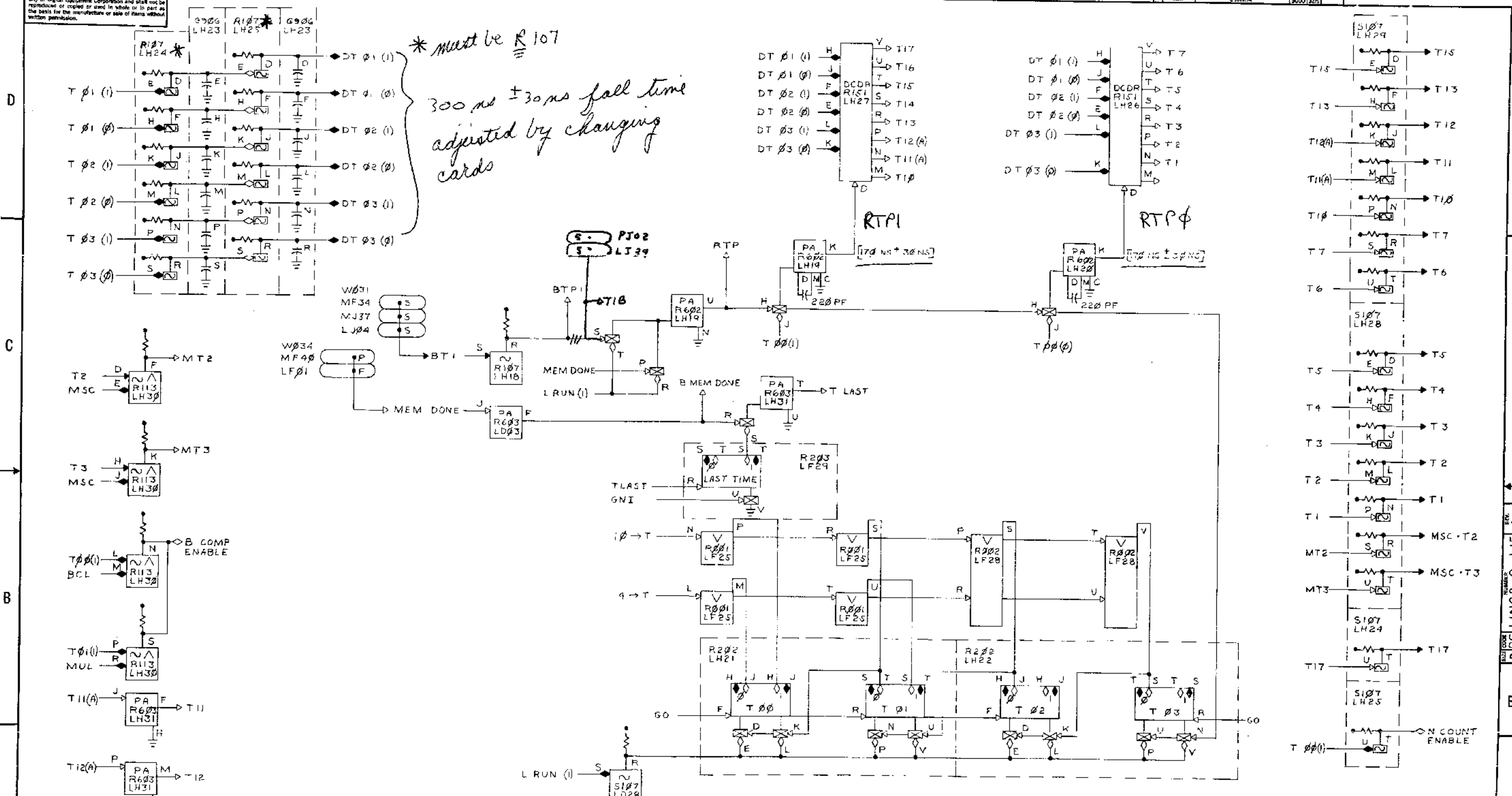
REV.	
CHG.	
REVISIONS	

GO	L18
N COUNT ENABLE	L15
N-1 TO N	L21
B TO N	L21
B00 TO B11	L82

UNLESS OTHERWISE SPECIFIED		DATE	12/16/66
DIMENSION IN INCHES		CHKD.	12/16/66
TOLERANCES		DATE	12/16/66
DECIMALS	FRACTIONS	ANGLS	
±.005	± 1/64	± 0°30'	
FINAL SURFACE QUALITY		DATE	12/16/66
REMOVE BURRS AND BREAK SHARP CORNERS		DATE	12/16/66
MATERIAL		FIRST USED ON	
FINISH		SCALE	
		SHEET	1 OF 1

PARTS LIST		ITEM NO.	
TITLE		CONTROL REG + INST DECODERS	
SIZE CODE		NUMBER	
D B S L I N C 8 - 0 - L 1 4			
DIST.		REV.	

This drawing and specifications herein, are the property of Digital Equipment Corporation and shall not be reproduced or copied in whole or in part as the basis for the manufacture or sale of items without written permission.



* Must be ≈ 107
 $300 \text{ ns} \pm 30 \text{ ns}$ fall time
adjusted by changing
cards

REVISIONS

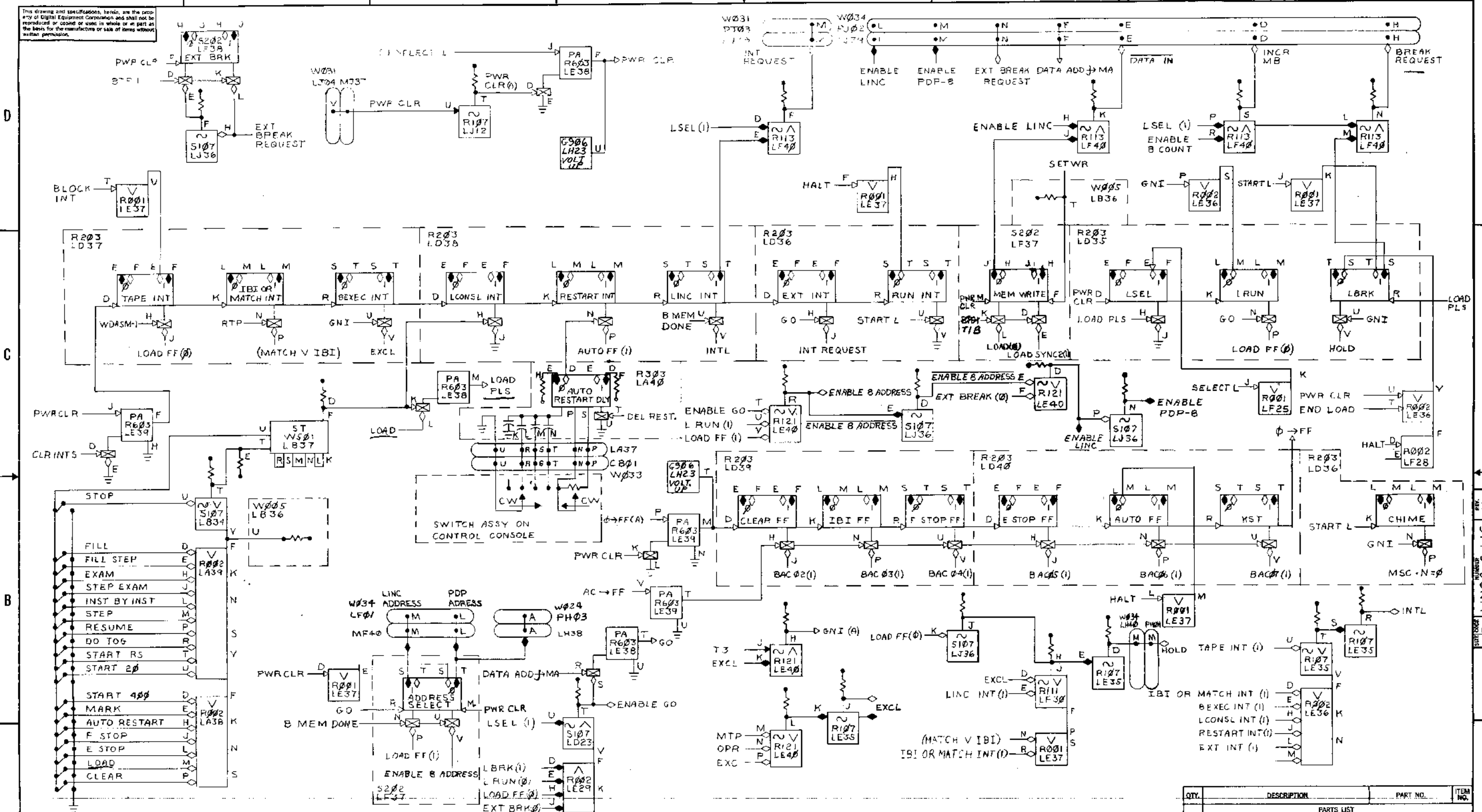
REV.	CHANGE NO.	DESCRIPTION
1	1	Initial Issue
2	2	...

RCL	L14
GO	L16
L RUN	L16
MSC	L14
MUL	L14
T1 TO T	L21
4 TO T	L21

UNLESS OTHERWISE SPECIFIED
DIMENSION IN INCHES
TOLERANCES
DECIMALS FRACTIONS ANGLES
 $\pm .005$ $\pm .004$ ± 0.007
FINAL SURFACE QUALITY
REMOVE BURRS AND BREAK SHARP CORNERS

QTY.	DESCRIPTION	PART NO.	ITEM NO.
	PARTS LIST		
	digital EQUIPMENT CORPORATION NATYARD MASSACHUSETTE		
	TITLE TIME PULSE DISTRIBUTOR		
	FIRST USED ON LINC 8	SCALE DBS LINC8-0-L15	REV. A

REV. A
DBS LINC8-0-L15



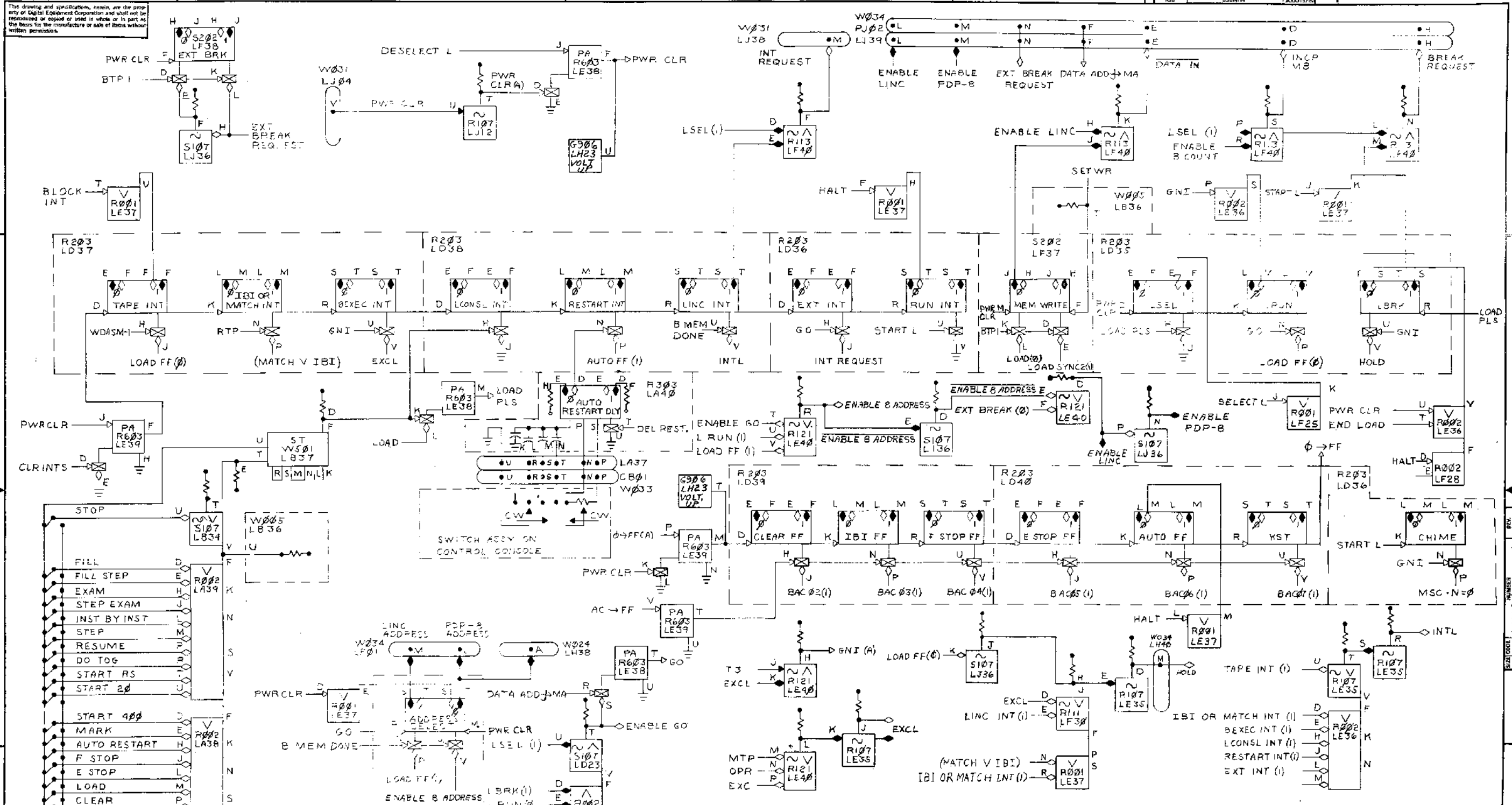
REVISIONS

REV.	DATE	BY	CHK	DESCRIPTION
A	12/14/66
B
C
D
E
F
G
H

AC TO FF	L20	BAC 04	L17	HALT	L20
B MEM DONE	L15	BAC 05	L17	LOAD FF	M12
BAC 02	L17	BAC 06	L17	LOAD SYNC 2	M12
BAC 03	L17	BAC 07	L17	MATCH V IBI	L19
SELECT LINC	L17	BLOCK INT	M12	MSC.N EO B	L18
DESELECT LINC	L17	BTP 1	L15	MTP	L14
		CLR INTS	L17	OPR	L14
		DEL REST	L17	RTP	L15
		ENABLE B COUNT	L18	SET AR	L20
		FFD LOAD	L21	START L	L17
		EXC	L14	TAS	L15
		GNI	L16	WASU-1	M12
		GNI(A)	L20	B TO FF(A)	L20
		EXT BREAK REQ	P23		

QTY.	DESCRIPTION	PART NO.	ITEM NO.
	PARTS LIST		
UNLESS OTHERWISE SPECIFIED			DRN: [Signature] DATE: 1/11/67 CHKD: [Signature] DATE: 1/11/67 ENG: [Signature] DATE: 1/11/67 PROJ. ENG: [Signature] DATE: 1/11/67 PROD: [Signature] DATE: 1/11/67 FIRST USED ON: LINC 8 SCALE: 1 OF 1 SHEET: 1 OF 1
DIMENSION IN INCHES			
TOLERANCES			
DECIMALS FRACTIONS ANGLES			
±.005 ±.010 ±.030			
FINISH: REMOVE BURRS AND BREAK SHARP CORNERS			
MATERIAL:		digital EQUIPMENT CORPORATION MILTON, MASSACHUSETTS	
FINISH:		TITLE: LINC INTERFACE CONTROL SIZE CODE: DBS LINC8-0-L16 NUMBER: 1 REV: 1	

This drawing and specifications, herein, are the property of Digital Equipment Corporation and shall not be reproduced or copied or used in whole or in part as the basis for the manufacture or sale of items without written permission.



REV.	DATE	BY	CHK	DESCRIPTION
1	7-28-67
2
3
4
5
6
7
8

SYMBOL	DESCRIPTION	QUANTITY	SYMBOL	DESCRIPTION	QUANTITY
AC TO FF	L20	1	BAC 04	L17	1
B MEM DONE	L15	1	BAC 05	L17	1
BAC 02	L17	1	BAC 06	L17	1
BAC 03	L17	1	BAC 07	L17	1
SELECT LINC	L17	1	BLOCK INT	W12	1
DESELECT LINC	L17	1	BTP 1	L15	1
			CLR INTS	L17	1
			DEL REST	L17	1
			ENABLE B COUNT	L18	1
			EXT LOAD	L21	1
			EXC	L14	1
			GNI	L16	1
			GNI (A)	L20	1
			EXT BREAK REQ	P23	1
			HALT	L20	1
			LOAD FF	W12	1
			LOAD SYNC 2	W12	1
			WATCH V IBI	L18	1
			MSC-N EO B	L18	1
			NTP	L14	1
			OPR	L14	1
			RTP	L15	1
			SET NR	L20	1
			START L	L17	1
			TB3	L15	1
			WDASM-1	W12	1
			B TO FF(A)	L20	1

QTY.	DESCRIPTION	PART NO.	ITEM NO.
1	AC TO FF	L20	1
1	B MEM DONE	L15	1
1	BAC 02	L17	1
1	BAC 03	L17	1
1	SELECT LINC	L17	1
1	DESELECT LINC	L17	1
1	BLOCK INT	W12	1
1	BTP 1	L15	1
1	CLR INTS	L17	1
1	DEL REST	L17	1
1	ENABLE B COUNT	L18	1
1	EXT LOAD	L21	1
1	EXC	L14	1
1	GNI	L16	1
1	GNI (A)	L20	1
1	EXT BREAK REQ	P23	1
1	HALT	L20	1
1	LOAD FF	W12	1
1	LOAD SYNC 2	W12	1
1	WATCH V IBI	L18	1
1	MSC-N EO B	L18	1
1	NTP	L14	1
1	OPR	L14	1
1	RTP	L15	1
1	SET NR	L20	1
1	START L	L17	1
1	TB3	L15	1
1	WDASM-1	W12	1
1	B TO FF(A)	L20	1

PART NO. 917-0-8CIN17SB a 2

REV. F

digital EQUIPMENT CORPORATION
WATBORO, MASSACHUSETTS

TITLE: **LINC INTERFACE CONTROL**

DATE: 7-28-67

BY: [Signature]

CHKD: [Signature]

DATE: 8-15-67

ENG: [Signature]

DATE: 8-15-67

PROJ. ENG: [Signature]

DATE: 8-15-67

PROD: [Signature]

DATE: 8-15-67

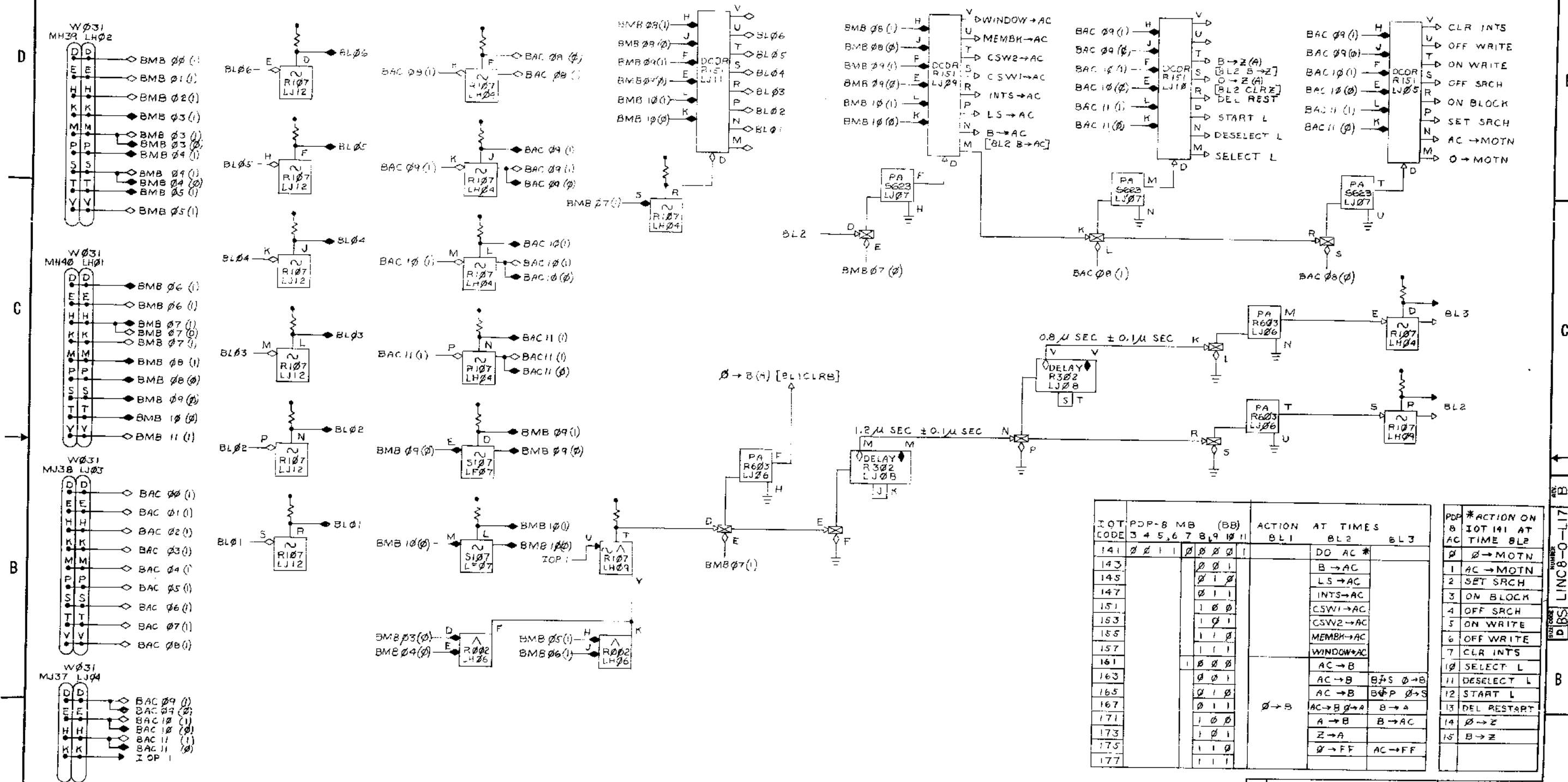
FIRST USED ON: LINC 8

SCALE: DIST.

SHEET 1 OF 1

This drawing and specifications, herein, are the property of Digital Equipment Corporation and shall not be reproduced or copied in whole or in part without the prior written permission of Digital Equipment Corporation.

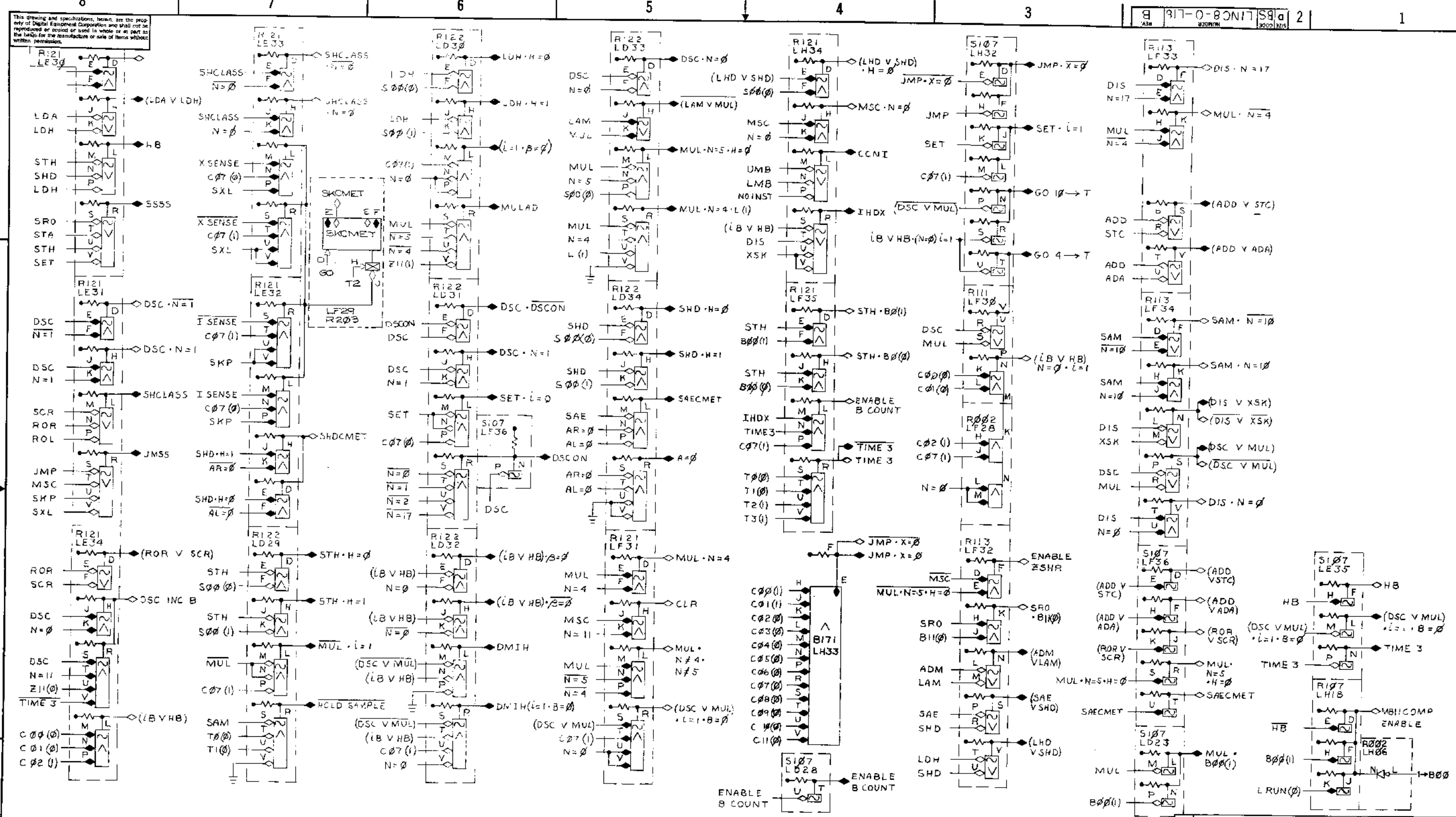
9 217-0-80-117 5810 2



IOT CODE	PDP-8 MB (BB)				ACTION AT TIMES			PDP ACTION ON IOT 141 AT AC TIME BL
	3	4	5	6	7	8	9	
141	0	0	1	1	0	0	0	DO AC *
143					0	0	1	B → AC
145					0	1	0	LS → AC
147					0	1	1	INTS → AC
151					1	0	0	CSW1 → AC
153					1	0	1	CSW2 → AC
155					1	1	0	MEMBK → AC
157					1	1	1	WINDOW → AC
161					1	0	0	AC → B
163					0	0	1	AC → B B → S 0 → B
165					0	1	0	AC → B B → P 0 → S
167					0	1	1	0 → B AC → B 0 → A B → A
171					1	0	0	A → B B → AC
173					1	0	1	Z → A
175					1	1	0	0 → FF AC → FF
177					1	1	1	

REV.	DATE	BY	CHKD
1	2-25-67	A	
2		B	

QTY.	DESCRIPTION	PART NO.	ITEM NO.
	PARTS LIST		
	digital EQUIPMENT CORPORATION		
	MAYNARD, MASSACHUSETTS		
	TITLE: IOT DECODERS		
	SCALE: DIST.	SIZE CODE: D	NUMBER: B
			REV. NO.: B



REV.	CHG.	NO.	DATE	DESCRIPTION
1				
2	11-15-64	A		
3		B		

REV.	CHG.	NO.	DATE	DESCRIPTION
1				
2				
3				
4				
5				
6				
7				
8				

REV.	CHG.	NO.	DATE	DESCRIPTION
1				
2				
3				
4				
5				
6				
7				
8				

REV.	CHG.	NO.	DATE	DESCRIPTION
1				
2				
3				
4				
5				
6				
7				
8				

REV.	CHG.	NO.	DATE	DESCRIPTION
1				
2				
3				
4				
5				
6				
7				
8				

REV.	CHG.	NO.	DATE	DESCRIPTION
1				
2				
3				
4				
5				
6				
7				
8				

REV.	CHG.	NO.	DATE	DESCRIPTION
1				
2				
3				
4				
5				
6				
7				
8				

REV.	CHG.	NO.	DATE	DESCRIPTION
1				
2				
3				
4				
5				
6				
7				
8				

REV.	CHG.	NO.	DATE	DESCRIPTION
1				
2				
3				
4				
5				
6				
7				
8				

REV.	CHG.	NO.	DATE	DESCRIPTION
1				
2				
3				
4				
5				
6				
7				
8				

REV.	CHG.	NO.	DATE	DESCRIPTION
1				
2				
3				
4				
5				
6				
7				
8				

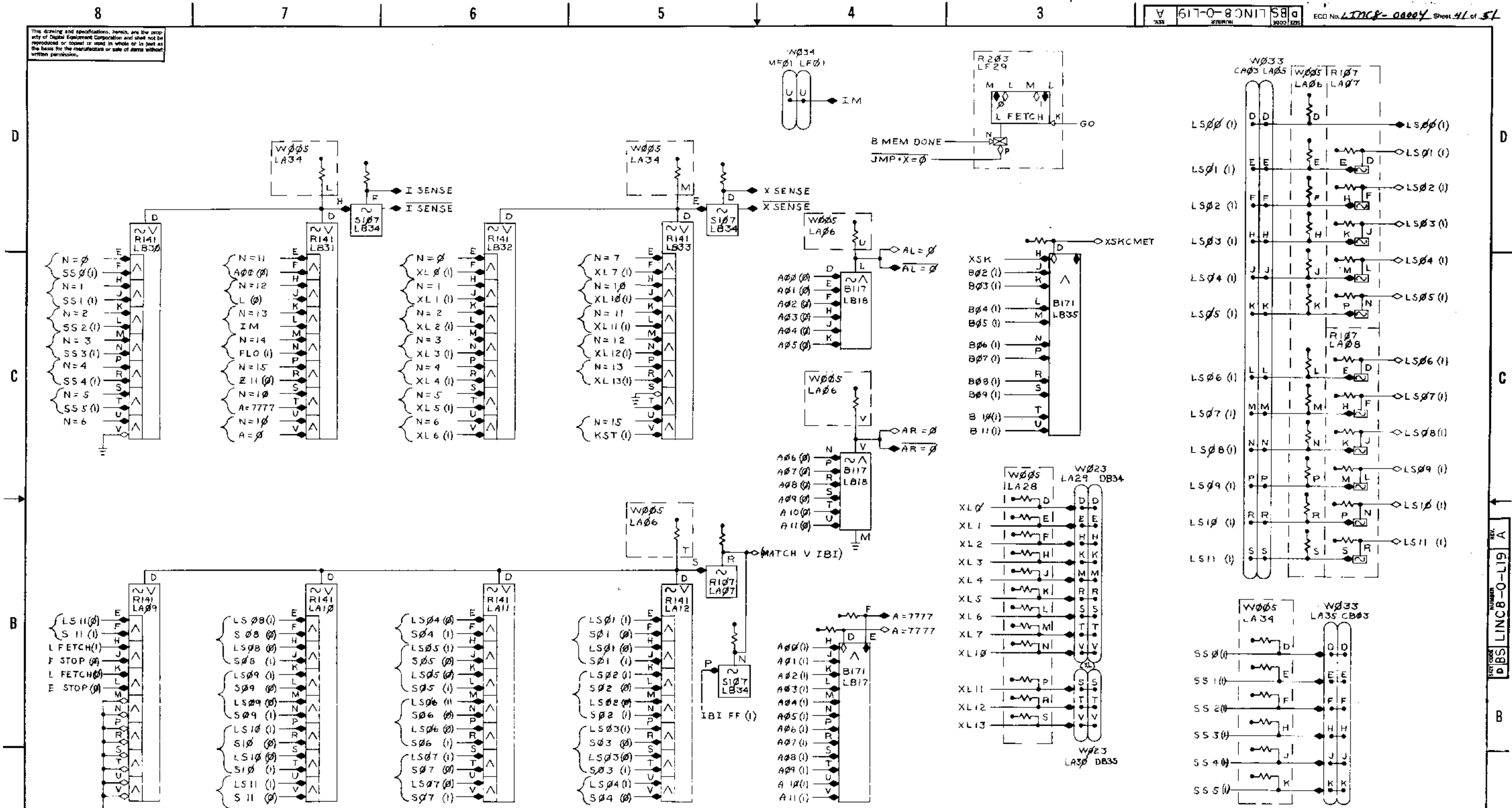
REV.	CHG.	NO.	DATE	DESCRIPTION
1				
2				
3				
4				
5				
6				
7				
8				

REV.	CHG.	NO.	DATE	DESCRIPTION
1				
2				
3				
4				
5				
6				
7				
8				

REV.	CHG.	NO.	DATE	DESCRIPTION
1				
2				
3				
4				
5				
6				
7				
8				

REV.	CHG.	NO.	DATE	DESCRIPTION
1				
2				
3				
4				
5				
6				
7				
8				

This drawing and specifications, herein, are the property of Digital Equipment Corporation and shall not be reproduced or copied or used in whole or in part as the basis for the manufacture or sale of items without written permission.



REVISIONS

CHK	CHANGE NO.	REV.	DATE
	LINC8-0004	A	

APPROVED BY: *[Signature]*
 MILTON

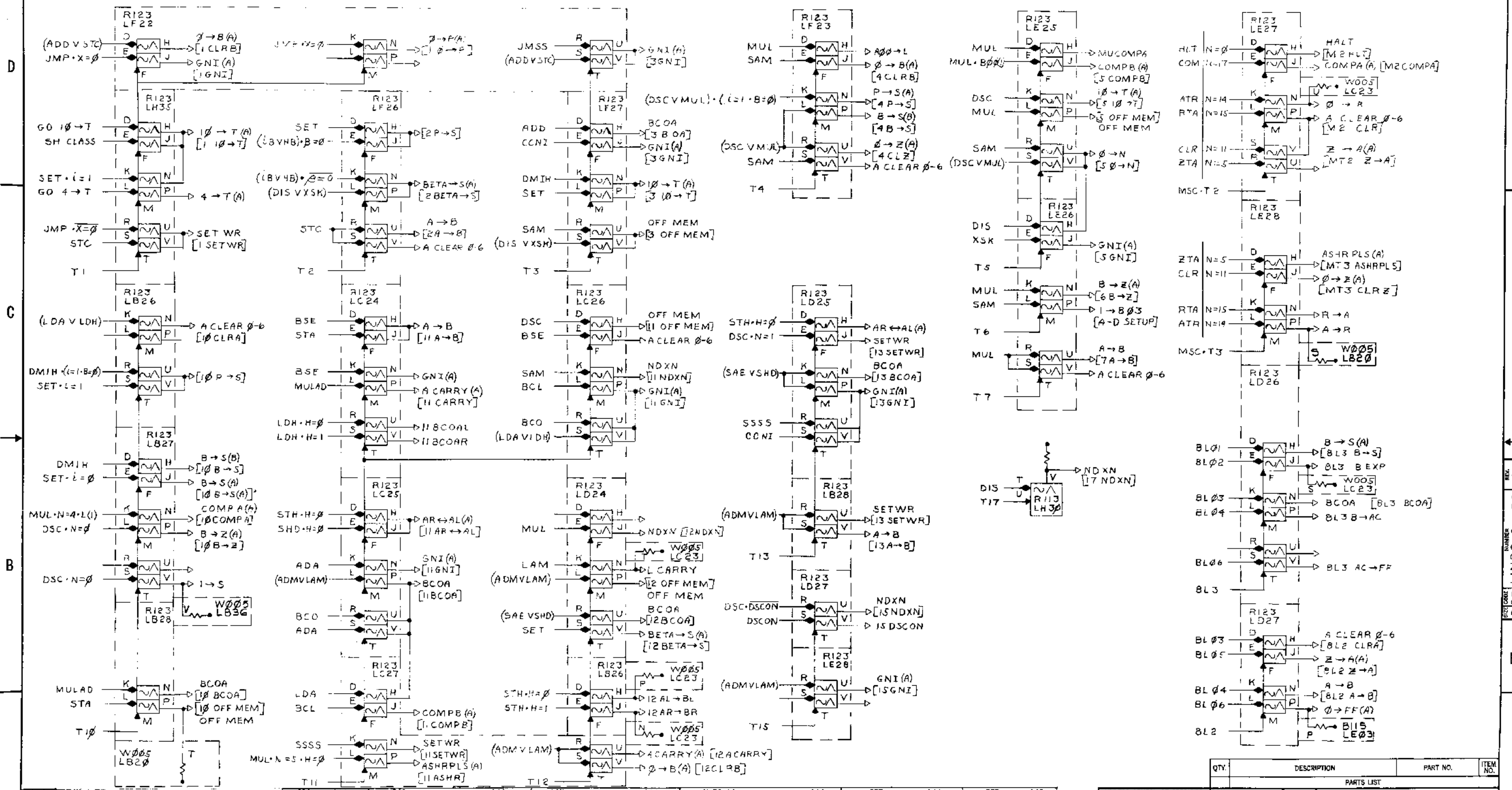
A 00 B L18	A 06 L05	B08 L02	N EQ 00 L14	N EQ 16 L14
A 01 L04	A 07 L05	B09 L02	N EQ 01 L14	S 01 L03
A 02 L04	A 08 L05	B10 L02	N EQ 02 L14	S 02 L03
A 03 L04	A 09 L05	B11 L02	N EQ 03 L14	S 03 L03
A 04 L04	A 10 L05	F STOP FF L16	N EQ 04 L14	S 04 L03
A 05 L04	A 11 L05	F STOP FF L16	N EQ 05 L14	S 05 L03
	B MEM DONE L15	FLO L04	N EQ 06 L14	S 06 L03
	L15	GHI L21	N EQ 07 L14	S 07 L03
	B 02 L02	GO L16	N EQ 08 L14	S 08 L03
	B 04 L02	IM M13	N EQ 09 L14	S 09 L03
	B 05 L02	IBI FF L16	N EQ 10 L14	S 10 L03
	B 06 L02	L16	N EQ 11 L14	S 11 L03
	B 07 L02	KST L04	N EQ 12 L14	S 10 L03
		L	N EQ 13 L14	S 11 L03
			N EQ 14 L14	XSK L14

QTY.	DESCRIPTION	PART NO.	ITEM NO.
PARTS LIST			
UNLESS OTHERWISE SPECIFIED			
UNLESS OTHERWISE SPECIFIED			
DIMENSION IN INCHES			
TOLERANCES			
DECIMALS FRACTIONS ANGLES			
±.005 ±.000 ±.030			
FINAL SURFACE QUALITY REMOVE BURRS AND BREAK SHARP CORNERS			
MATERIAL			
FINISH			
TITLE: SKIP NETS		DATE: 12/1/66	
DRAWN BY: <i>[Signature]</i>		CHECKED BY: <i>[Signature]</i>	
ENGR. BY: <i>[Signature]</i>		DATE: 12/1/66	
PROD. BY: <i>[Signature]</i>		DATE: 12/1/66	
FIRST USED ON		DATE	
LINC 8		SCALE	
SHEET 41 OF 51		DIST.	

digital EQUIPMENT CORPORATION
 MAYNARD MASSACHUSETTS

REV. A
 PART NO. DBS LINC8-0-L19

This drawing and specifications, herein, are the property of Digital Equipment Corporation and shall not be reproduced or copied in whole or in part as the basis for the manufacture or sale of items without written permission.



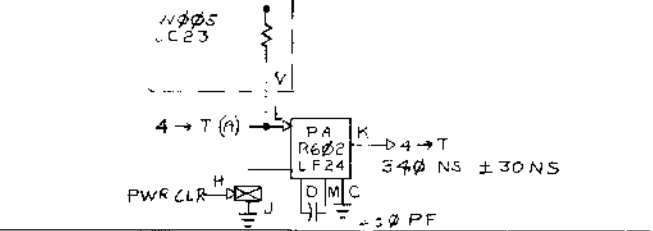
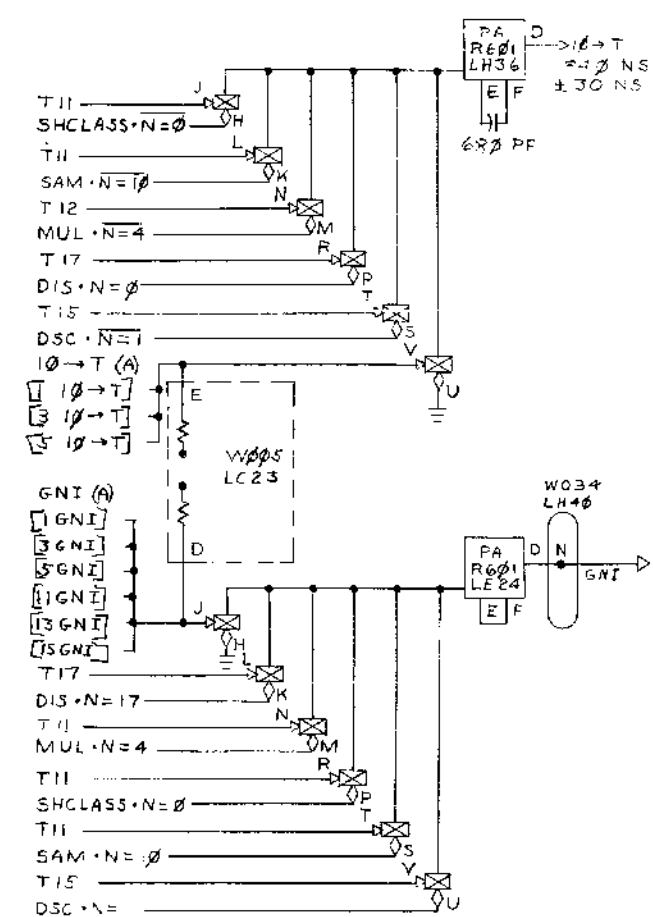
REV	CHANGE NO.	DATE	BY
12	1	1/18/67	T. J. C. / C. C.
13	1	1/18/67	T. J. C. / C. C.

REV	DESCRIPTION	REV	DESCRIPTION	REV	DESCRIPTION	REV	DESCRIPTION	REV	DESCRIPTION	REV	DESCRIPTION	REV	DESCRIPTION
A4	ADA	L14	DMS	L14	LAM	L14	N EQ 14	L14	SET	L14	T85	L15	
A4	ADD	L14	DMIH	L18	LDA	L14	N EQ 15	L14	SET. 1 EQ 1	L18	T86	L15	
A4	BCL	L14	DMIH. (1EQ1 B EQ 0)	L18	LDH. H EQ 1	L18	N EQ 17	L14	SHCLASS	L18	T87	L15	
A4	BCO	L14	DSC	L14	MSC. T02	L15	(ADD STG)	L18	SHD. H EQ 0	L18	T10	L15	
A4	BL1	L17	DSC. DSCON	L18	MSC. T03	L18	(ADM LAM)	L18	SSSS	L18	T11	L15	
A4	BL2	L17	DSC. N EQ 0	L18	MUL	L14	(DIS XSK)	L18	STA	L14	T12	L15	
A4	BL3	L17	DSC. N EQ 1	L18	MULAD	L18	(DSC MUL)	L18	STC	L14	T13	L15	
A4	BL4	L17	DSCON	L18	MUL. 90(1)	L18	(DSC MUL). 1 EQ 1. B EQ 0	L18	STH. H EQ 0	L18	T15	L15	
A4	BL5	L17	GO 10 TO 7	L18	MUL. N EQ 4 L(1)	L18	(10 H0). BETA EQ 0	L18	STM. H EQ 1	L18	T17	L15	
A4	BL6	L17	GO 4 TO T	L18	MUL. N EQ 5. 4 EQ 0	L18	(10 H0). BETA UNEQ 0	L18	T01	L15	T18	L18	
A4	BSE	L14	JMP X EQ 0	L18	N EQ 00	L14	(LDA LDH)	L18	T02	L15	XSK	L14	
A4	CCN1	L18	JMP X UNEQ 0	L18	N EQ 05	L14	(SAE SHD)	L18	T03	L15	BL2	L17	
A4					N EQ 11	L14	SAM	L14	T04	L14	BL3	L17	

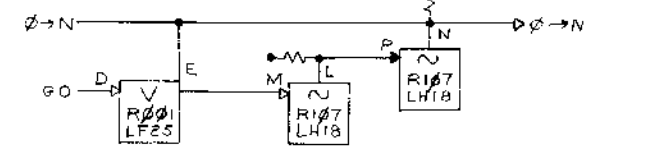
UNLESS OTHERWISE SPECIFIED		DATE	DATE	PARTS LIST	
DIMENSION IN INCHES		1/18/67	1/18/67	TITLE	
TOLERANCES		DATE		CONTROL PULSE GATES	
DECIMALS	FRACTIONS	ANGLES		EQUIPMENT CORPORATION	
± .005	± 1/64	± 0°30'		MATERIAL	
FINISH		DATE		NUMBER	
REMOVE BURRS AND BREAK SHARP CORNERS		DATE		REV.	
		DATE		A	
		DATE		SIZE CODE	
		DATE		D8S LINC8-0-L20	
		DATE		SHEET	
		DATE		OF	
		DATE		DIST.	
		DATE			
		DATE			
		DATE			
		DATE			
		DATE			
		DATE			
		DATE			

This drawing and specifications herein, are the property of Digital Equipment Corporation and shall not be reproduced or copied in whole or in part as the basis for the manufacture or sale of items without written permission.

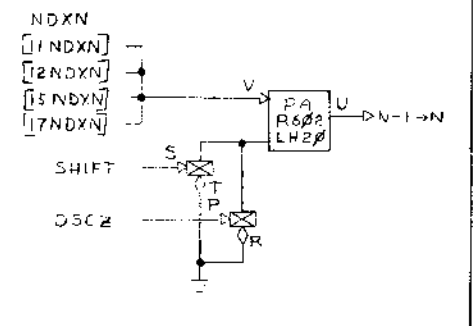
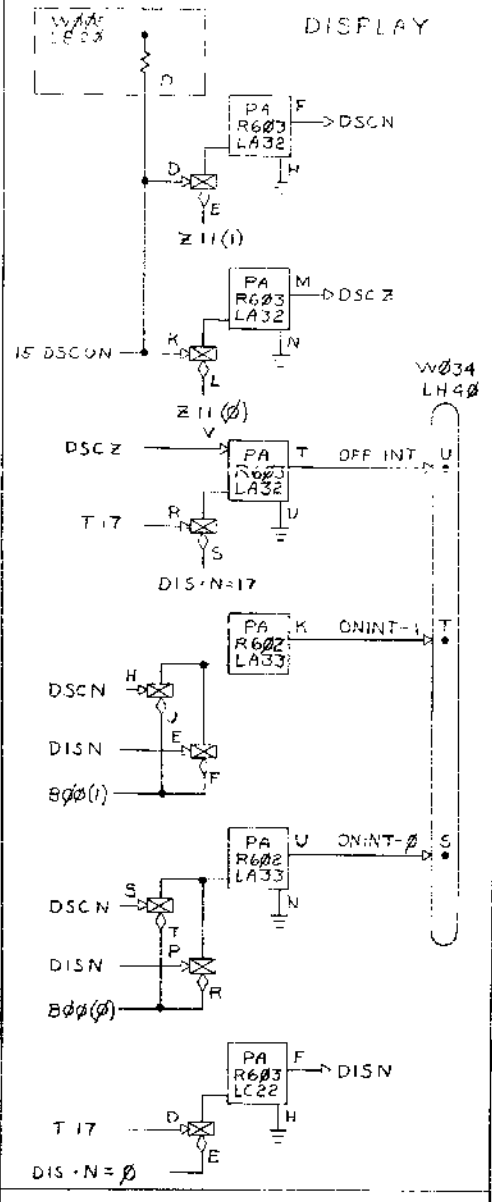
TIMING



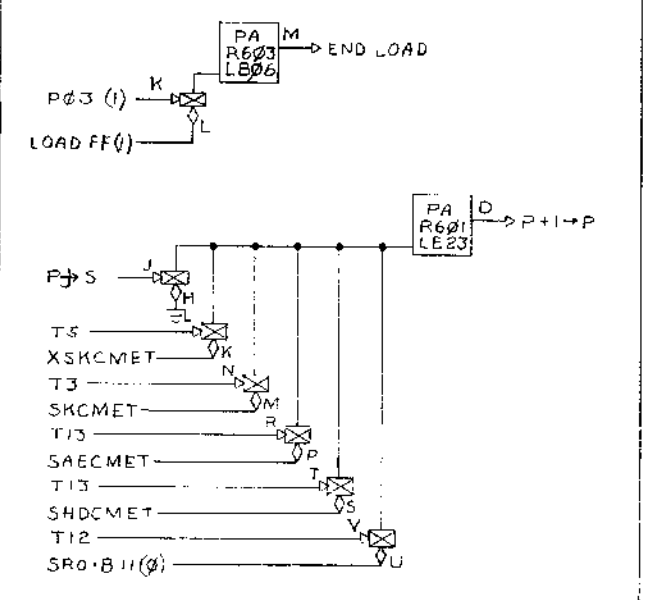
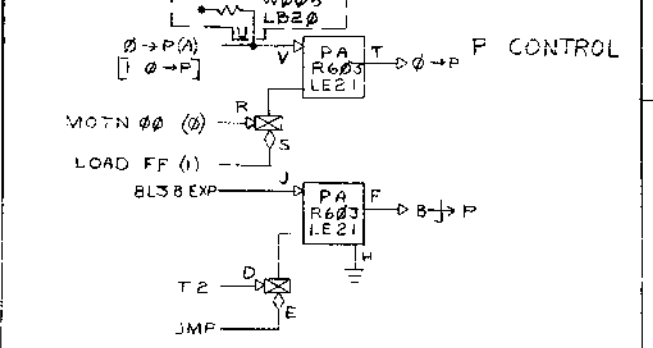
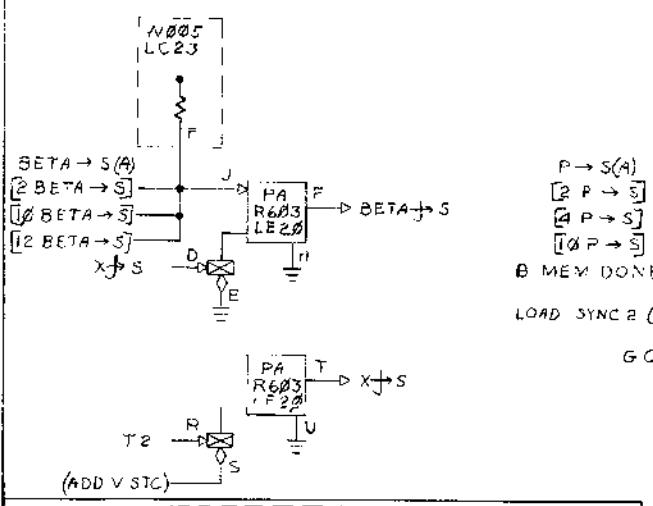
N CONTROL



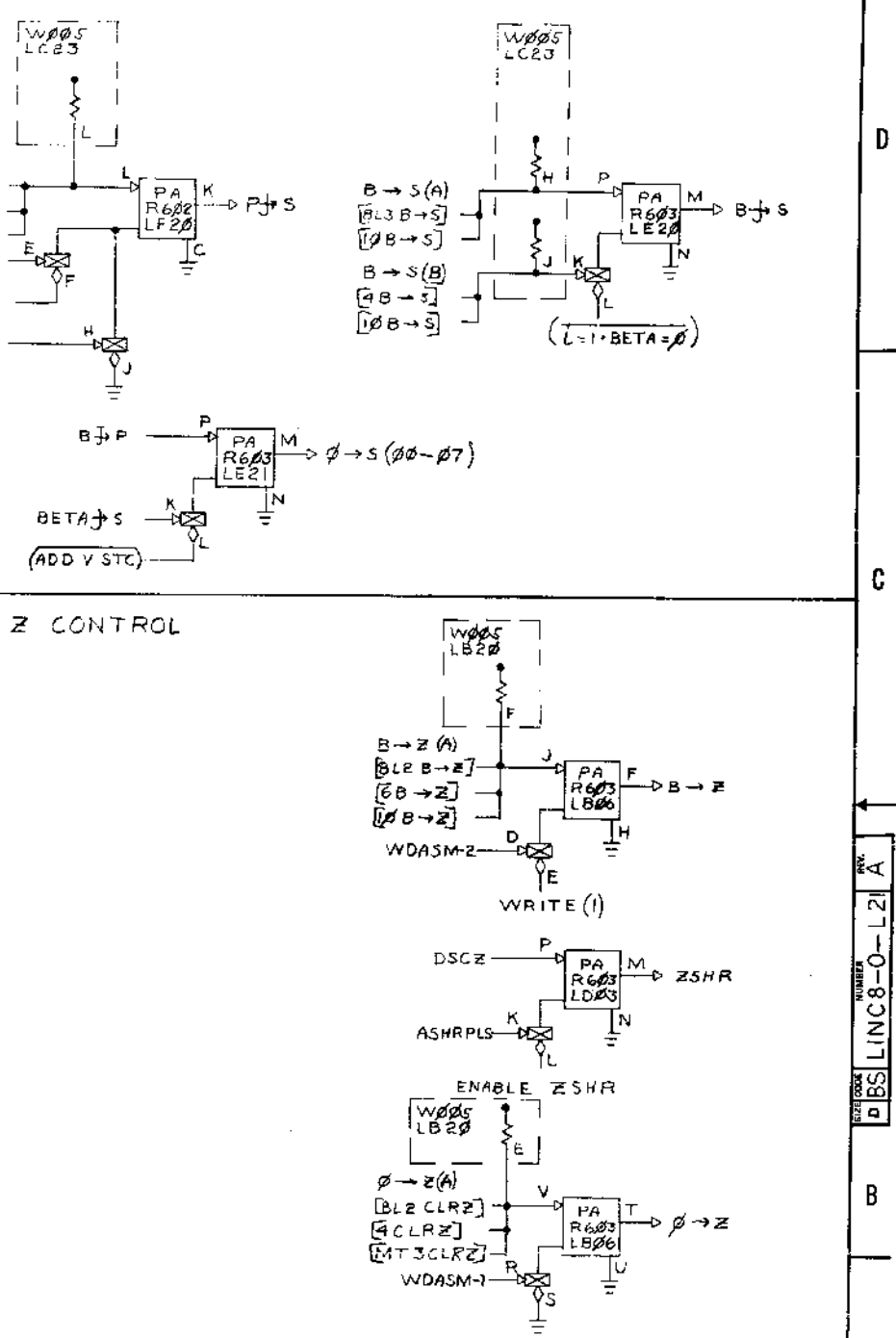
DISPLAY



S CONTROL



Z CONTROL



QTY.	DESCRIPTION	PART NO.	ITEM NO.
PARTS LIST			
UNLESS OTHERWISE SPECIFIED	DIGITAL CORPORATION		
UNLESS OTHERWISE SPECIFIED	S P Z T N & DIS. CONT. PULSES		
TOLERANCES		DATE	
DECIMALS	FRACTIONS	ANGLES	
± .006	± 1/64	± 0°30'	
MATERIAL			
FINISH			
SCALE		REV.	
SHEET 1 OF 1		D BSLINC8-0-L21 A	

REV. A

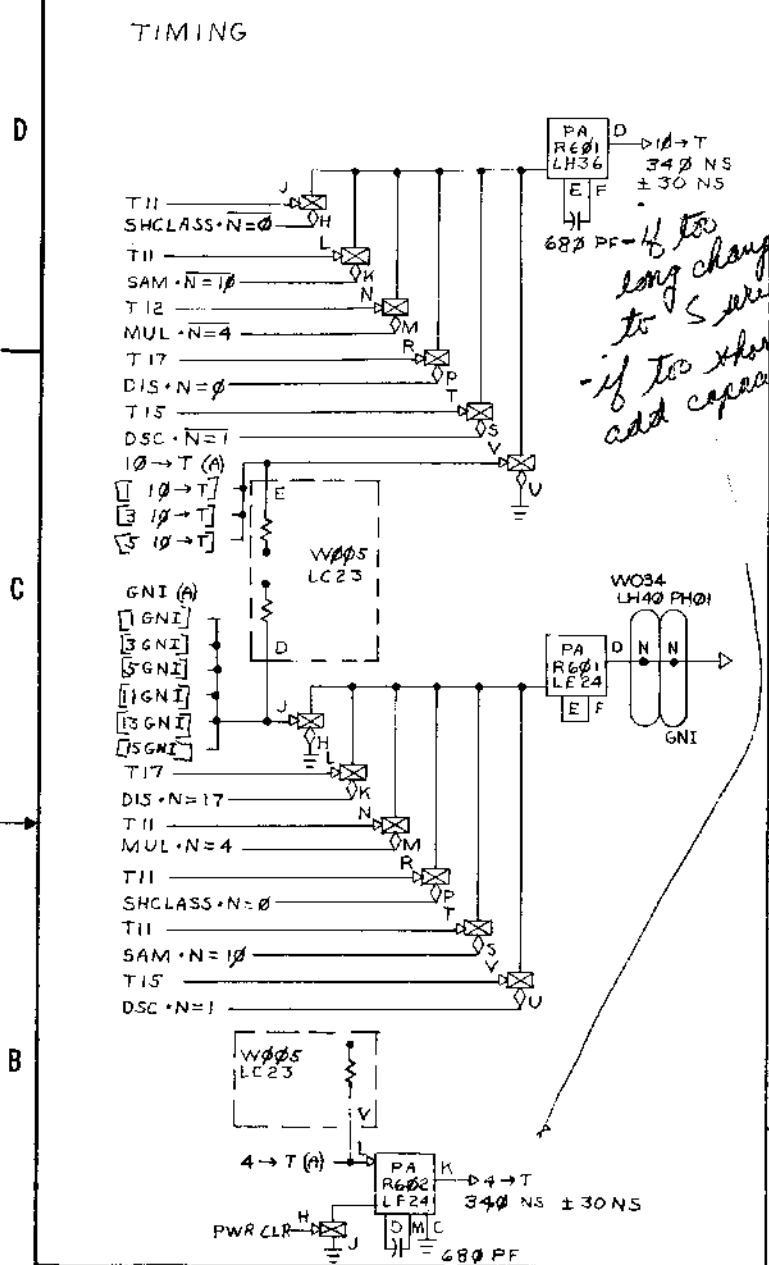
B

C

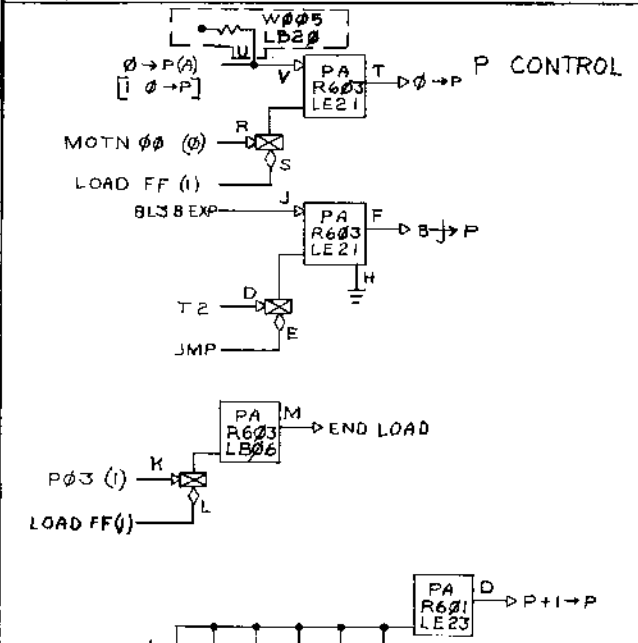
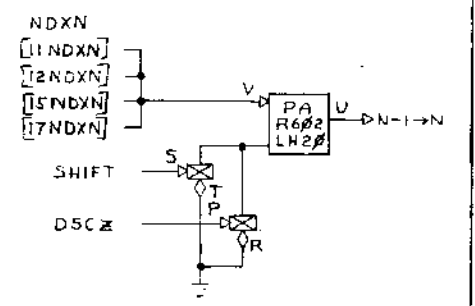
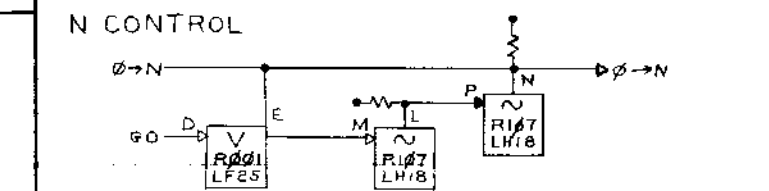
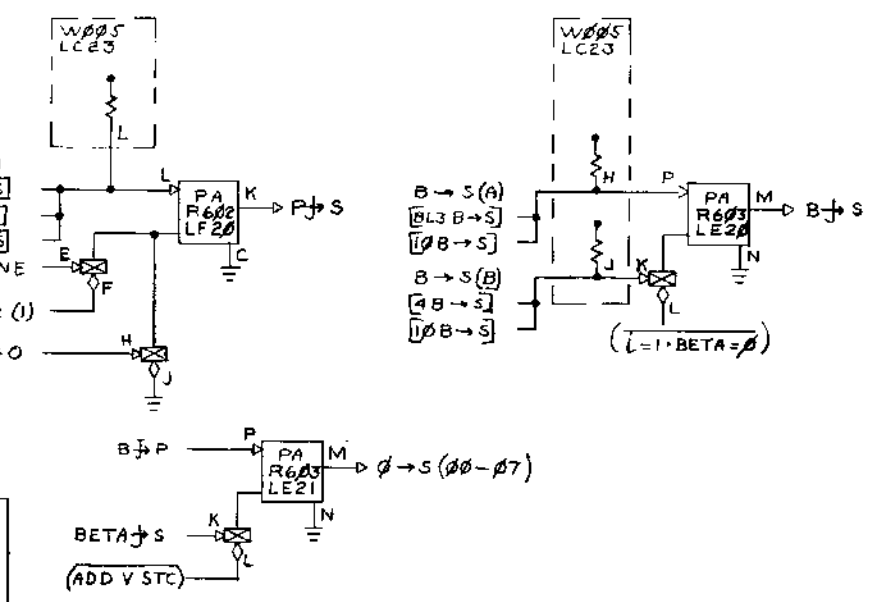
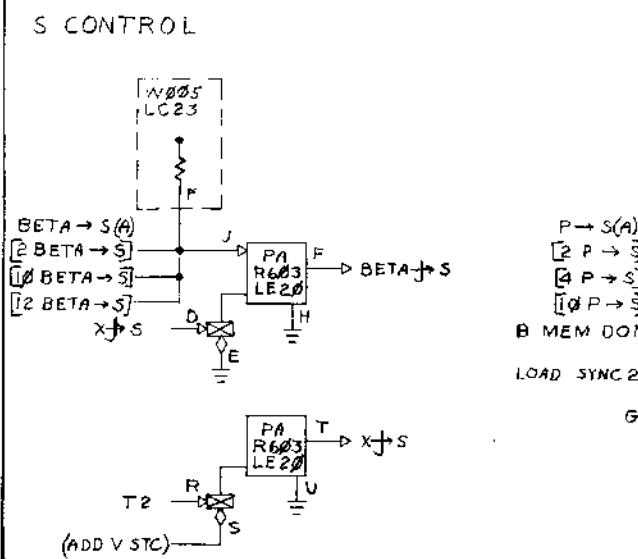
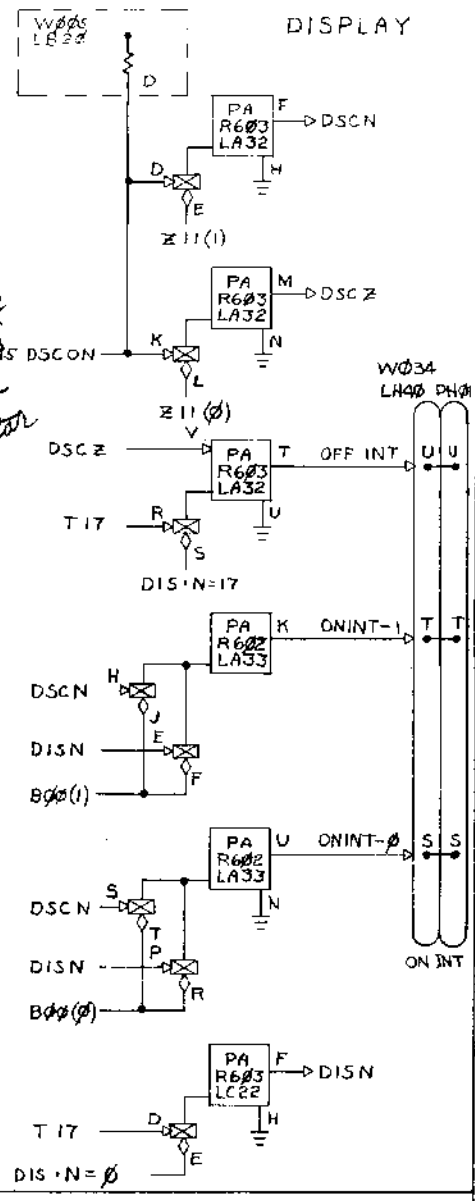
D

REV.	CHANGE NO.	DATE	BY
A	1	10/1/68	

The drawing and specifications herein are the property of Digital Equipment Corporation and shall not be reproduced or copied in whole or in part as the basis for the manufacture or sale of any other written permission.



long change to S wires - if too short add capacitor



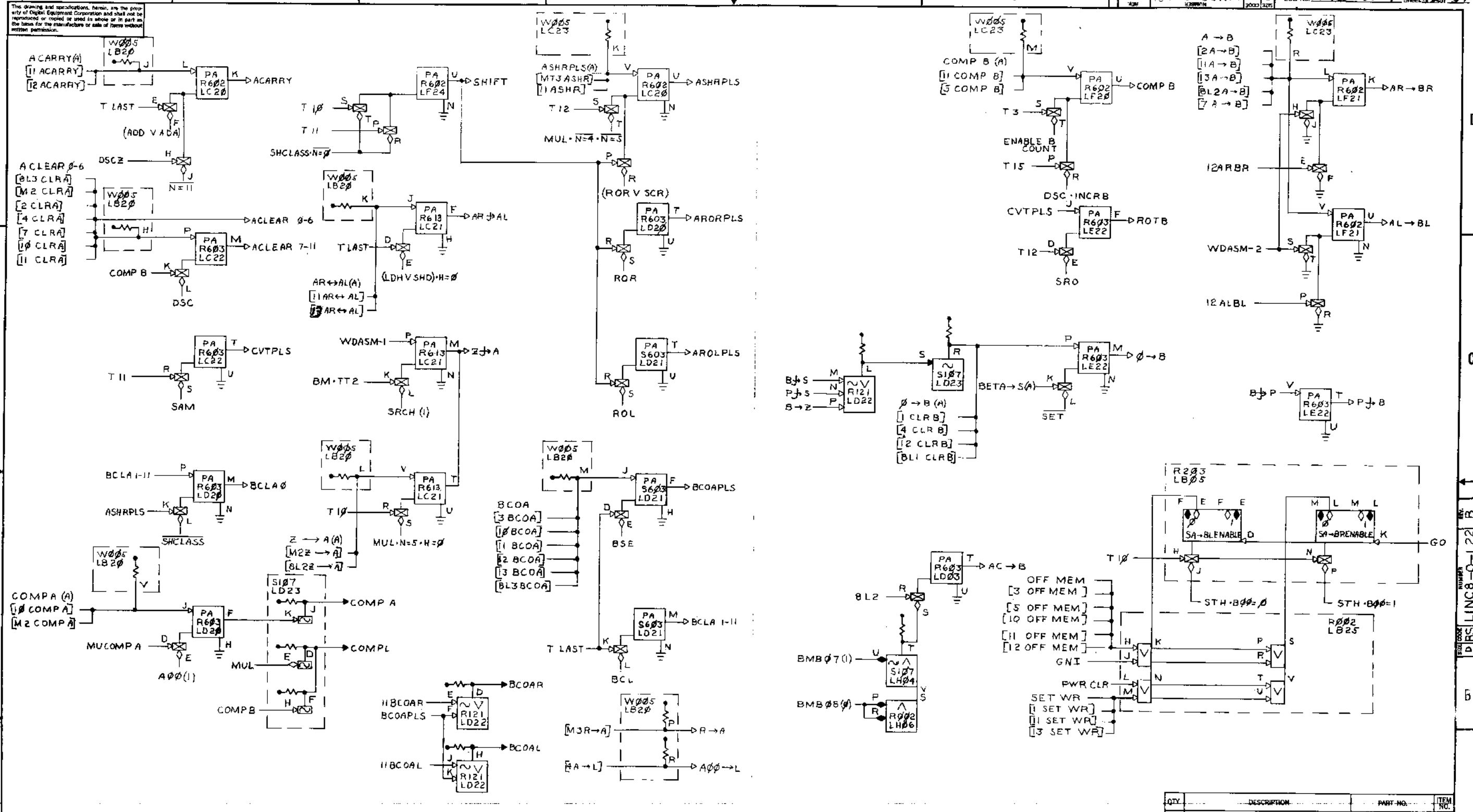
REV.	DATE	BY	CHKD.
1	7/27/66	W. J. MILTON	
2	8/1/66	J. MILTON	
3	8/1/66	J. MILTON	
4	8/1/66	J. MILTON	
5	8/1/66	J. MILTON	
6	8/1/66	J. MILTON	
7	8/1/66	J. MILTON	
8	8/1/66	J. MILTON	

DESCRIPTION	QTY.	PART NO.	ITEM NO.
ASHRPLS	L22		
B MEM DONE	L15		
0 TO S(A)	L20		
B TO S(B)	L20		
B TO Z(A)	L20		
B TO 00	L02		
BETA TO S(A)	L20		
DIS. N EQ 0	L18		
DSC. N EQ 1	L18		
DSC. N UNEQ 1	L20		
ENABLE ZSHR	L18		
GNI(A)	L20		
JMP	L14		
LOAD FF	M12		
LOAD SYNC 2	M12		
MOTN 00	M12		
MUL. N EQ 04	L18		
MUL. N UNEQ 04	L18		
NDXN	L20		
P TO S(A)	L20		
P03	L03		
PWR CLR	L16		
(ADD V ADA)	L18		
(ADD V STC)	L18		
(1 ED 1 BETA EQ 0)	L18		
SAECMET	L18		
SAM. N EQ 10	L18		
SAM. N UNEQ 10	L18		
SHCLASS. N EQ 0	L18		
SHCLASS. N UNEQ 0	L18		
SHOCT	L18		
SHIFT	L22		
SKCMET	L18		
SR0. B11(0)	L18		
T02	L15		
T03	L15		
T05	L15		
T10	L15		
T11	L15		
T12	L15		
T13	L15		
T15	L15		
T17	L15		
WDASM-1	M12		
WDASM-2	M12		
WRITE	M12		
XSKCMET	L18		
Z11	L06		
ZSHL	L21		
0 TO Z(A)	L20, L17		
10 TO T(A)	L20		
15 DSCN	L20		
4 TO T(A)	L20		
013 BEXP	L20		

UNLESS OTHERWISE SPECIFIED	DATE	BY	CHKD.
DRAWN	7/27/66	W. J. MILTON	
UNLESS OTHERWISE SPECIFIED			
DIMENSION IN INCHES			
TOLERANCES			
DECIMALS FRACTIONS ANGLES			
±.005 ±.015 ±.030			
FINAL SURFACE QUALITY			
REMOVE BURRS AND BREAK SHARP CORNERS			
MATERIAL			
FINISH			

TITLE: S P Z T N & DIS. CONT. PULSES
 PARTS LIST: LINC 8
 SCALE: DIST. OF 1
 SHEET 1 OF 1

LINC 8-0-L21 B
 LINC 8-0-L21 B



REVISIONS

REV.	CHANGE NO.	DATE	BY
1	22	11/1/66	R. P. Bernier
2	22	11/1/66	R. P. Bernier

ECO No. 27-0-8000Y
 J. MILTON
 J. MILTON

# CLEAR 0-6	L20	ABO TO L	L20	DSC	L14	R TO A	L20	T10	L15
A TO B	L20	B TO P	L21	DSC INCB	L18	ROL	L14	T11	L15
A BP	L04	B TO S	L21	DSCZ	L18	ROR	L14	T12	L15
AR TO FM AL(A)	L20	B TO Z	L21	ENABLE B COUNT	L18	(ADD V ADA)	L18	T15	L15
		BCL	L14	GNI	L21	(LHD V SHD) H EQ B	L18	WDASM-1	L12
		BCOA	L20	GO	L18	(ROR V SCR)	L18	WDASM-2	L12
		BETA TO S(A)	L20	MULCOMP A	L20	SET	L14	Z TO A(A)	L20
		BMB 07	L17	MUL	L14	SET AR	L20	11 BCOAL	L20
		BMB 08	L17	MUL N EQ 5. H EQ B	L18	SHCLASS N UNED B	L18	12 AL TO BL	L20
		BMB 09	L17	MUL N UNED 4 N UNED 5	L18	SRCH	L12	12 AR TO BR	L20
		BCL	L14	NQ 11	L14	SRO	L14	12 AL BL	L20
		BCLA 1-11	L20	OFF MEM	L20	T LAST	L15		
		ASHRPLS	L18	PWR CLR	L18				
		COMP A(A)	L20						
		COMP B(A)	L20						

QTY	DESCRIPTION	PART NO.	ITEM NO.

UNLESS OTHERWISE SPECIFIED
 DIMENSION IN INCHES
 TOLERANCES
 DECIMALS FRACTIONS ANGLES
 ±.006 ±.004 ±.030
 FINAL SURFACE QUALITY
 REMOVE BURRS AND BREAK SHARP CORNERS

DATE: 11/1/66
 DATE: 11/1/66
 DATE: 11/1/66
 DATE: 11/1/66

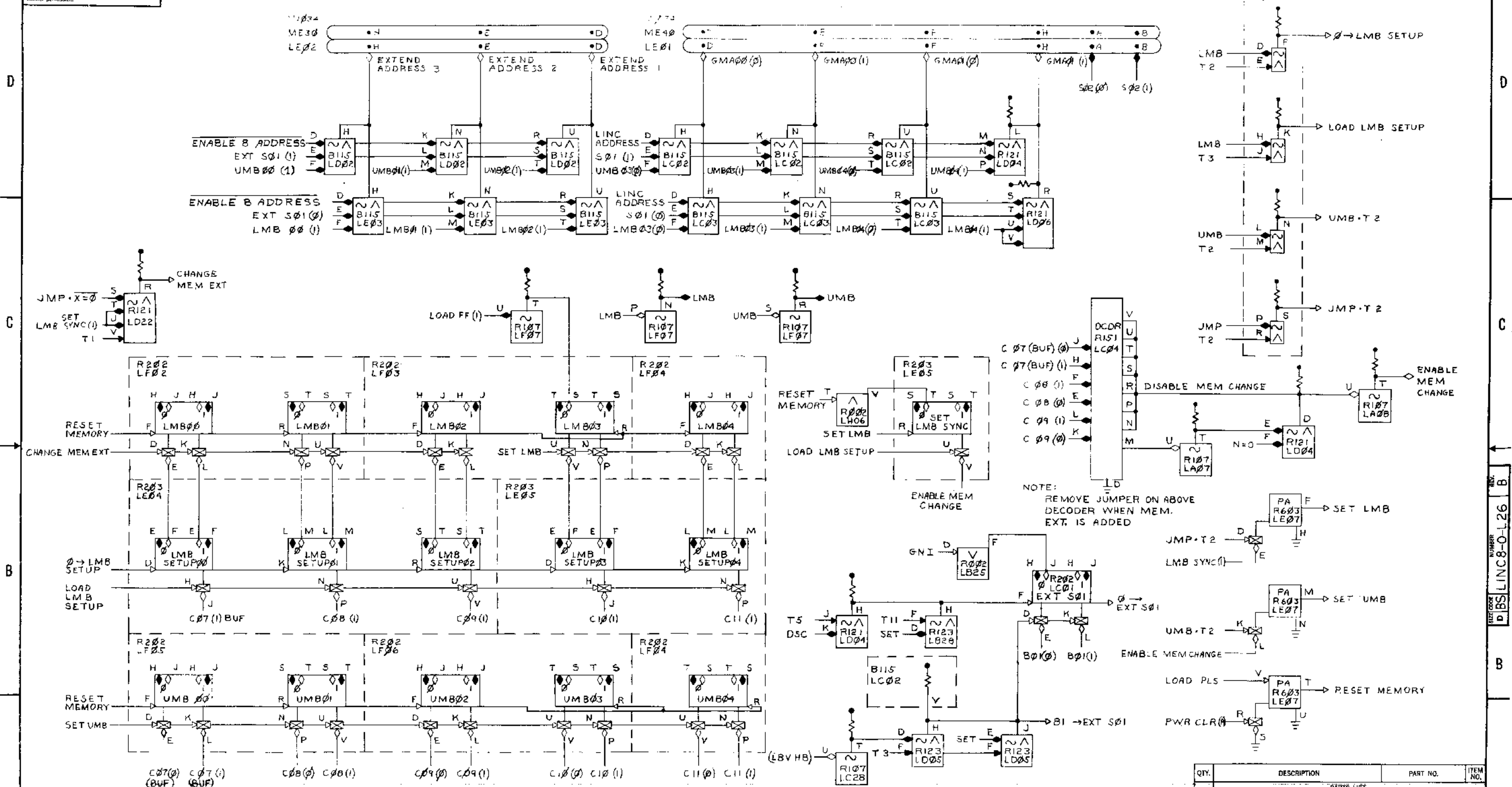
DRN: R. P. Bernier
 CHK: R. P. Bernier
 ENG: R. P. Bernier
 PROJ. ENG: R. P. Bernier
 PROF: R. P. Bernier

FIRST USED ON: LINC 8

SCALE: 1 OF 1
 SHEET: 1 OF 1

PARTS LIST
 TITLE: A/B REGISTER CONTROL PULSES
 NUMBER: D BS LINC 8-0-L22

This drawing and specifications herein are the property of Digital Equipment Corporation and shall not be reproduced or copied in whole or in part as the basis for the manufacture or sale of items without written permission.



REV.	CHANGE NO.	DATE	BY
1	1	3-28-67	A
2	2	4-11-67	B

REVISIONS
 927-0-80117 S9
 LINC-0004
 MILTON
 J. MILLER

QTY.	DESCRIPTION	PART NO.	ITEM NO.
	B01	L02	
	B07 (BUF)	L14	
	B08-C11	L14	
	ENABLE B ADDRESS	L16	
	DSC	L74	
	GNI (18 V HB)	L18	
	JMP	L14	
	LMB	L14	
	LOAD FF	M12	
	LOAD PLS	L16	
	N EQ 00	L14	
	PWR CLR	L16	
	SET	L14	
	S01-S07	L03	
	T1-T11	L15	
	UMB	L14	

UNLESS OTHERWISE SPECIFIED
 DIMENSION IN INCHES
 TOLERANCES
 DECIMALS FRACTIONS ANGLES
 ±.005 ±.004 ±.030
 FINISH SURFACE QUALITY
 REMOVE BURRS AND BREAK SHARP CORNERS

DATE: 7/2/68
 DATE: 7/12/68
 DATE: 7/12/68
 DATE: 7/12/68

PROJ. ENG. DATE: 7/12/68
 PROD. DATE: 7/12/68

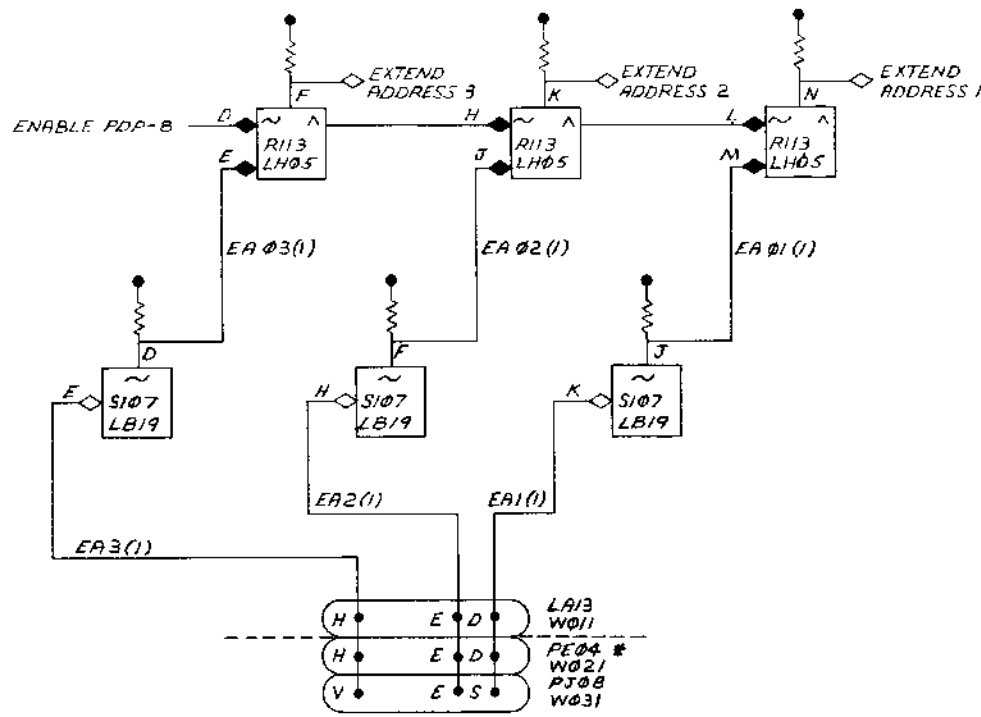
FIRST USED ON
 LINC 8

SCALE: D B S LINC 8 - 0 - L26
 SHEET 1 OF 2

digital EQUIPMENT CORPORATION
 MAYNARD, MASSACHUSETTS

TITLE: MEMORY EXTENSION

THIS DRAWING AND SPECIFICATIONS, HEREIN, ARE THE PROPERTY OF DIGITAL EQUIPMENT CORPORATION AND SHALL NOT BE REPRODUCED OR COPIED OR USED IN WHOLE OR IN PART AS THE BASIS FOR THE MANUFACTURE OR SALE OF ITEMS WITHOUT WRITTEN PERMISSION. COPYRIGHT © DIGITAL EQUIPMENT CORPORATION



* IF CABLING DIRECT FROM DWB-E, ADD CABLE PE04 TO LA13. IF CABLING VIA A DM01, DO NOT USE CABLE FROM PE04 TO LA13, BUT INSERT CABLE FROM DM01. SLOT ALL TO LINC8-L, SLOT LA13.

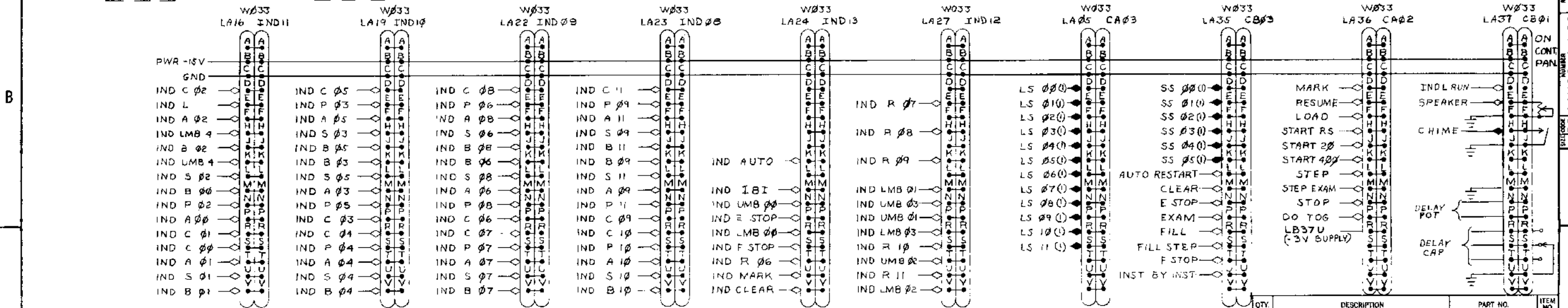
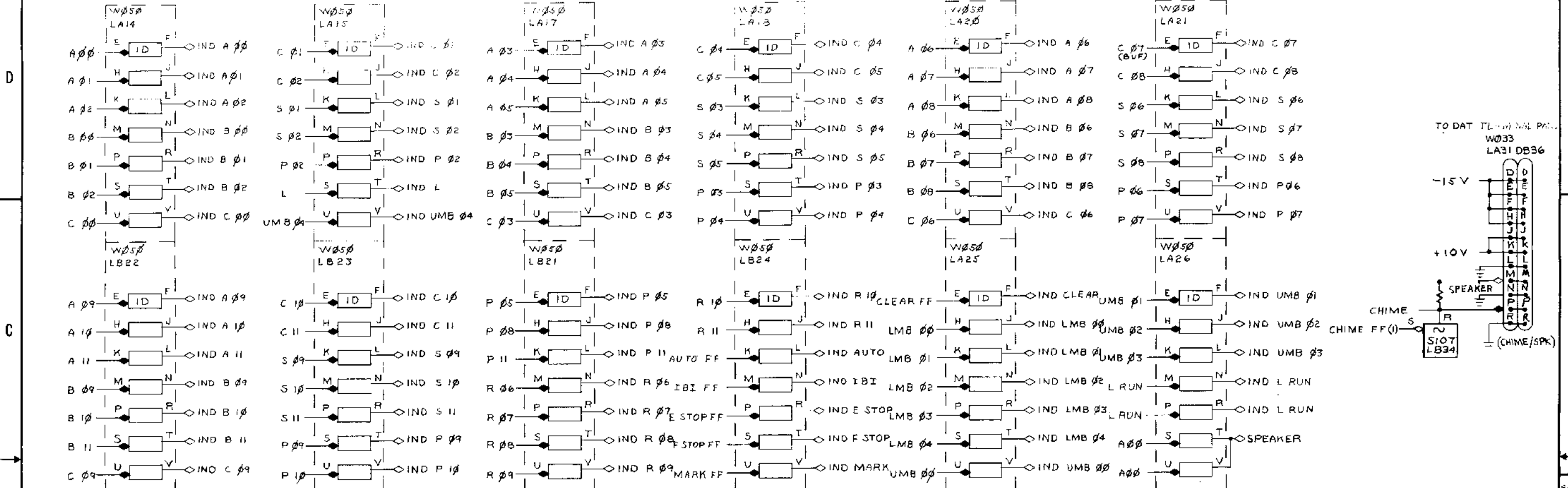
REV.	
CHG.	
NO.	

FIRST USED ON OPTION/MODEL		QTY.	DESCRIPTION	PART NO.	ITEM NO.
LINC8					
DIMENSIONAL TOLERANCE		PARTS LIST			
DIMENSIONS ARE MILLIMETERS UNLESS OTHERWISE SPECIFIED		DRAL P BENIER DATE 7-66	digital		
		CHKD P DAIGNAULT DATE 7-66			
MILLIMETERS INCHES ANGLES		ENG R CLAYTON DATE 7-66	TITLE MEMORY EXTENSION		
X.XX ± 0.10 .00X ± 0.006 90° 30'		PROJ. ENG. R CLAYTON DATE 7-66			
X.X ± 0.5 .00X ± 0.02		PROD. R CLAYTON DATE 7-66	SIZE/CODE NUMBER REV.		
THIRD ANGLE PROJECTION REMOVE BURRS AND BREAK SHARP CORNERS SURFACE QUALITY		NEXT HIGHER ASSY.	D/BS		LINC8-0-L26 B
MATERIAL		SCALE	SHEET 2 OF 2		
FINISH					

REV. B
LINC8-0-L26

This drawing and specifications, herein, are the property of Digital Equipment Corporation and shall not be reproduced or copied or used in whole or in part as the basis for the manufacture or sale of items without written permission.

ALL INDICATED INPUTS COMING FROM FIB FLOPS COME FROM THE 1 NEG. SIDE (I.E. A φ φ (1) →)



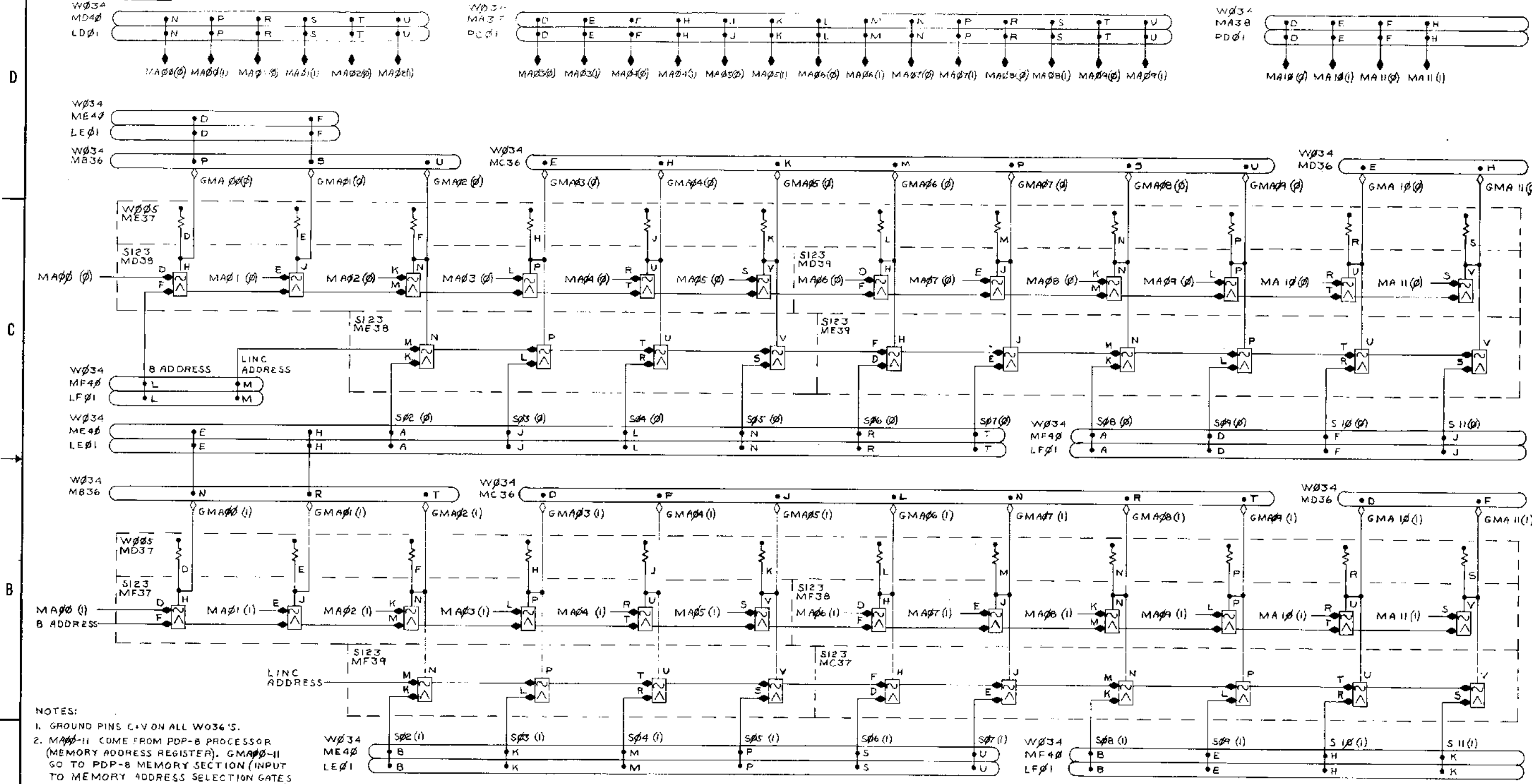
QTY.	DESCRIPTION	PART NO.	ITEM NO.
	PARTS LIST		
	UNLESS OTHERWISE SPECIFIED		
	DIMENSION IN INCHES		
	TOLERANCES		
	DECIMALS FRACTIONS ANGLES		
	± .005 ± 1/64 ± 90°		
	FINAL SURFACE QUALITY		
	REMOVE BURRS AND BREAK SHARP CORNERS		
	MATERIAL		
	FINISH		
	GRN. DATE		
	CHKD. DATE		
	ENG. DATE		
	PROF. ENG. DATE		
	PROD. DATE		
	FIRST USED ON		
	LINC 8		
	SCALE		
	SHEET OF		
	DIST.		
	TITLE		
	LINC SWITCHES & INDICATORS		
	EQUIPMENT CORPORATION		
	MADE IN MASSACHUSETTS		
	SIZE CODE NUMBER REV.		
	D BS LINC8-0-L28 A		

REVISIONS
 CHANGE NO. 1
 CHK. J. MILTON
 DATE 11/1/66

P82 TO P11 L85
 R86 TO R11 L86
 S81 TO S11 L83
 UMB 89 TO UMB 84 L26

ABB TO A85 L84
 A86 TO A11 L85
 AUTO FF L82
 R88 TO B11 L14
 C88 TO C11 L14
 E STOP FF L16
 F STOP FF L16
 IBI FF L18
 L L18
 L84 L84
 L26 L26
 MARK FF W12

The drawing and specifications, herein, are the property of Digital Equipment Corporation and shall not be reproduced or copied or used in whole or in part as the basis for the manufacture or sale of parts without written permission.



- NOTES:
1. GROUND PINS C+V ON ALL W036'S.
 2. MA00-11 COME FROM PDP-B PROCESSOR (MEMORY ADDRESS REGISTER). GMA00-11 GO TO PDP-B MEMORY SECTION (INPUT TO MEMORY ADDRESS SELECTION GATES AND BUFFERS FOR MEMORY EXTENSION) GMA00-11 GO TO ALL LOCATIONS CALLED OUT AS MA00-11 IN PDP-B MEMORY SECTION.

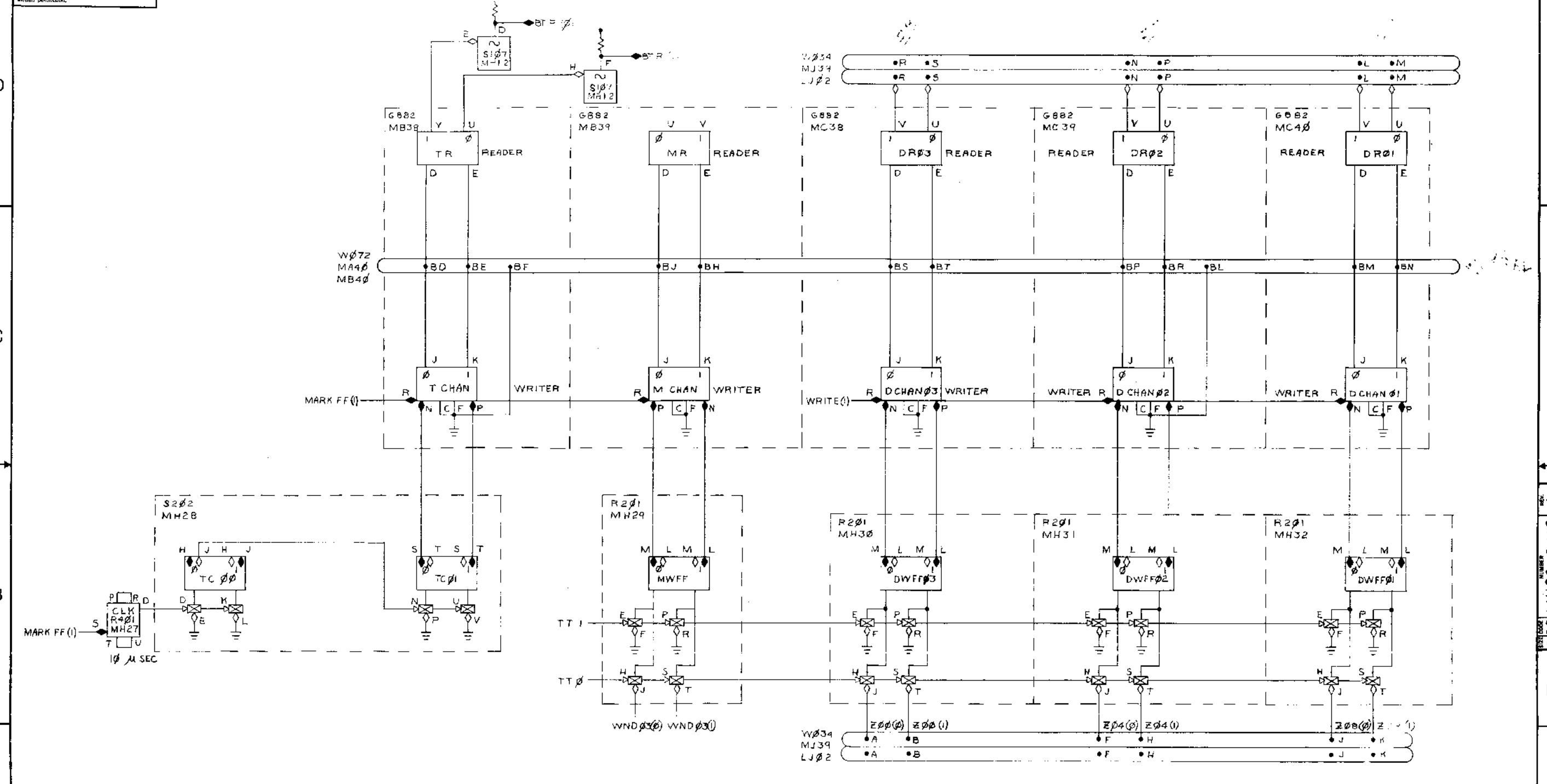
REV.	DATE	BY	CHK	CHANGE NO.
1	11-18-66	J. MILTON		LINC-0000-0004
2	1-15-67	J. MILTON		LINC-0000-0004

GMA 00	L26
GMA 01	U26
LINC ADDRESS	L16
S02 TO S11	L03
B ADDRESS	L16

QTY.	DESCRIPTION	PART NO.	ITEM NO.
PARTS LIST			
UNLESS OTHERWISE SPECIFIED			
DIMENSION IN INCHES			
TOLERANCES			
DECIMALS	FRACTIONS	ANGLES	
± .005	± 1/64	± 0°30'	
FINAL SURFACE QUALITY REMOVE BURRS AND BREAK SHARP CORNERS			
MATERIAL		FIRST USED ON	
		LINC 8	
FINISH		SCALE	
		SHEET 1 OF 1	
DRN R.E. BERMAN DATE 11/16/66		DATE 11/16/66	
CHK'D J. MILTON		DATE 11/16/66	
ENG. J. MILTON		DATE 11/16/66	
PROJ. ENG. J. MILTON		DATE 11/16/66	
PROD. J. MILTON		DATE 11/16/66	
TITLE PDP-8 ADDR INPUT GATES		EQUIPMENT CORPORATION MAYNARD, MASSACHUSETTS	
SIZE/CODE D15 LINC 8-0-M 8		NUMBER REV. A	

REV. A
 D15 LINC 8-0-M 8

This drawing and specifications herein are the property of Digital Equipment Corporation and shall not be reproduced or copied or used in whole or in part as the basis for the manufacture or sale of items without written permission.



REV.	CHG.	NO.	DATE	BY
A		0004		

MILTON
 S. PETERSON

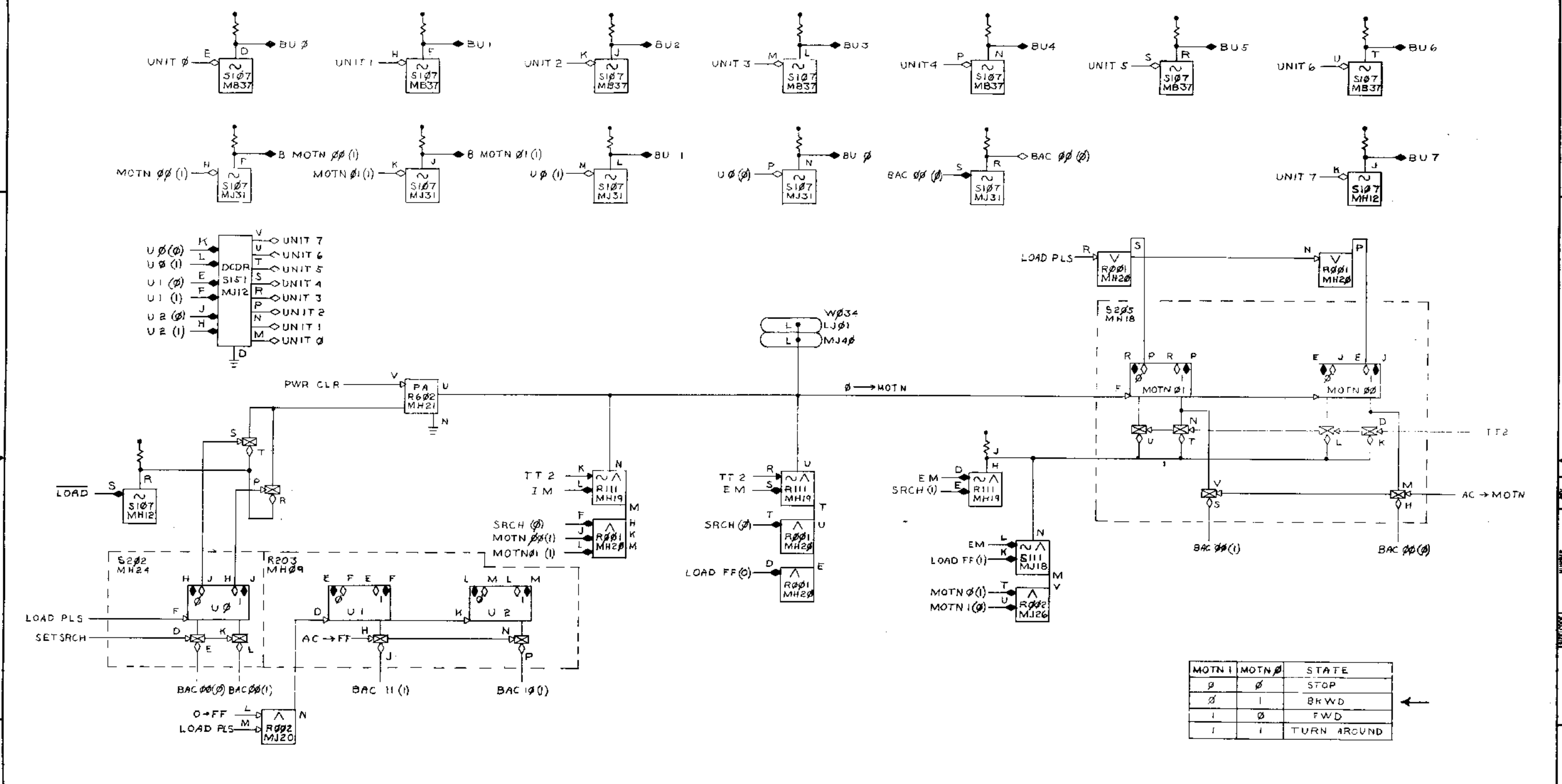
MARK FF	M12
WRITE	M12
Z88 TO Z89	L86

UNLESS OTHERWISE SPECIFIED	DATE
UNLESS OTHERWISE SPECIFIED	DATE
UNLESS OTHERWISE SPECIFIED	DATE
UNLESS OTHERWISE SPECIFIED	DATE
UNLESS OTHERWISE SPECIFIED	DATE
UNLESS OTHERWISE SPECIFIED	DATE
UNLESS OTHERWISE SPECIFIED	DATE
UNLESS OTHERWISE SPECIFIED	DATE
UNLESS OTHERWISE SPECIFIED	DATE
UNLESS OTHERWISE SPECIFIED	DATE

QTY.	DESCRIPTION	PART NO.	ITEM NO.
PARTS LIST			
digital EQUIPMENT CORPORATION (NATICK, MASSACHUSETTS)			
TITLE			
MAG TAPE READER / WRITER			
FIRST USED ON			
LINC 8			
SCALE		NUMBER	REV.
D BS LINC8-0-M9			A
SHEET OF		DIST.	

D BS LINC8-0-M9
 REV. A

This drawing and specifications, herein, are the property of Digital Equipment Corporation and shall not be reproduced or copied or used in whole or in part as the basis for the manufacture or sale of items without written permission.



REVISIONS

REV.	DATE	BY	DESCRIPTION
1	2-27-67	A	INITIAL DESIGN
2	3-1-67	B	REVISED TO 2-27-67
3	3-1-67	B	REVISED TO 3-1-67
4	3-1-67	B	REVISED TO 3-1-67
5	3-1-67	B	REVISED TO 3-1-67
6	3-1-67	B	REVISED TO 3-1-67
7	3-1-67	B	REVISED TO 3-1-67
8	3-1-67	B	REVISED TO 3-1-67

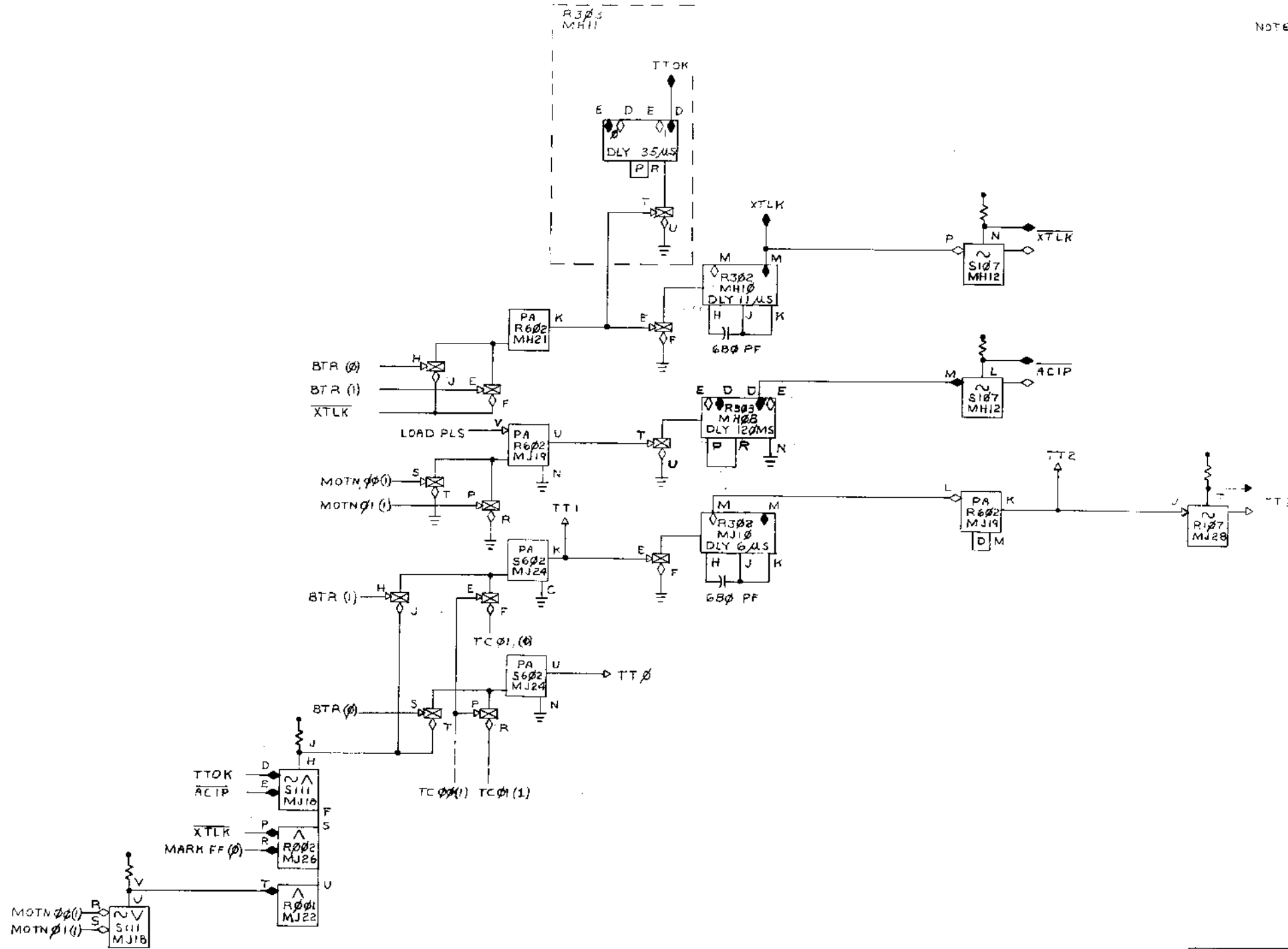
U. SCANLON
J. MILTON

AC TO FF	L17
AC TO MOTN	L17
EM	M13
LOAD FF	M12
LOAD PLS	L16
SET SRCH	L17
B TO FF	L17
B TO MOTN	L17
TT2	M11

QTY.	DESCRIPTION	PART NO.	ITEM NO.
PARTS LIST			
UNLESS OTHERWISE SPECIFIED: DIMENSION IN INCHES			
TOLERANCES: DECIMALS FRACTIONS ANGLES			
.005 .005 = .004 = 0.005			
FINISH: REMOVE BURRS AND BREAK SHARP CORNERS			
MATERIAL:			
FINISH:			
UNLESS OTHERWISE SPECIFIED: DATE 7/27/66			
DRAWN: DATE 7/27/66			
CHECKED: DATE 7/27/66			
ENG. DATE			
PROD. ENG. DATE			
PROD. DATE			
FIRST USED ON: LINC 8			
SCALE:		SIZE CODE: DBS LINC8-Q-MIO	REV. C
SHEET 1 OF 1		DIST.:	

This drawing and specifications, herein, are the property of Digital Equipment Corporation and shall not be reproduced or copied or used in whole or in part as the basis for the manufacture or sale of items without written permission.

NOTE: TTOK = 40 μS ON 50 CPS SYSTEMS



REV.	CHANGE NO.	DATE
1	2-27-67	A
2		B

DESIGNED BY: J. MILTON
 DRAWN BY: J. MILTON
 CHECKED BY: J. MILTON
 APPROVED BY: J. MILTON

BTR φ1	M12
LCAO FF	M12
MARK FF	M12
MOTN φ1	M12
MOTN φ2	M12
MOTN φ1	M12
MOTN φ2	M12

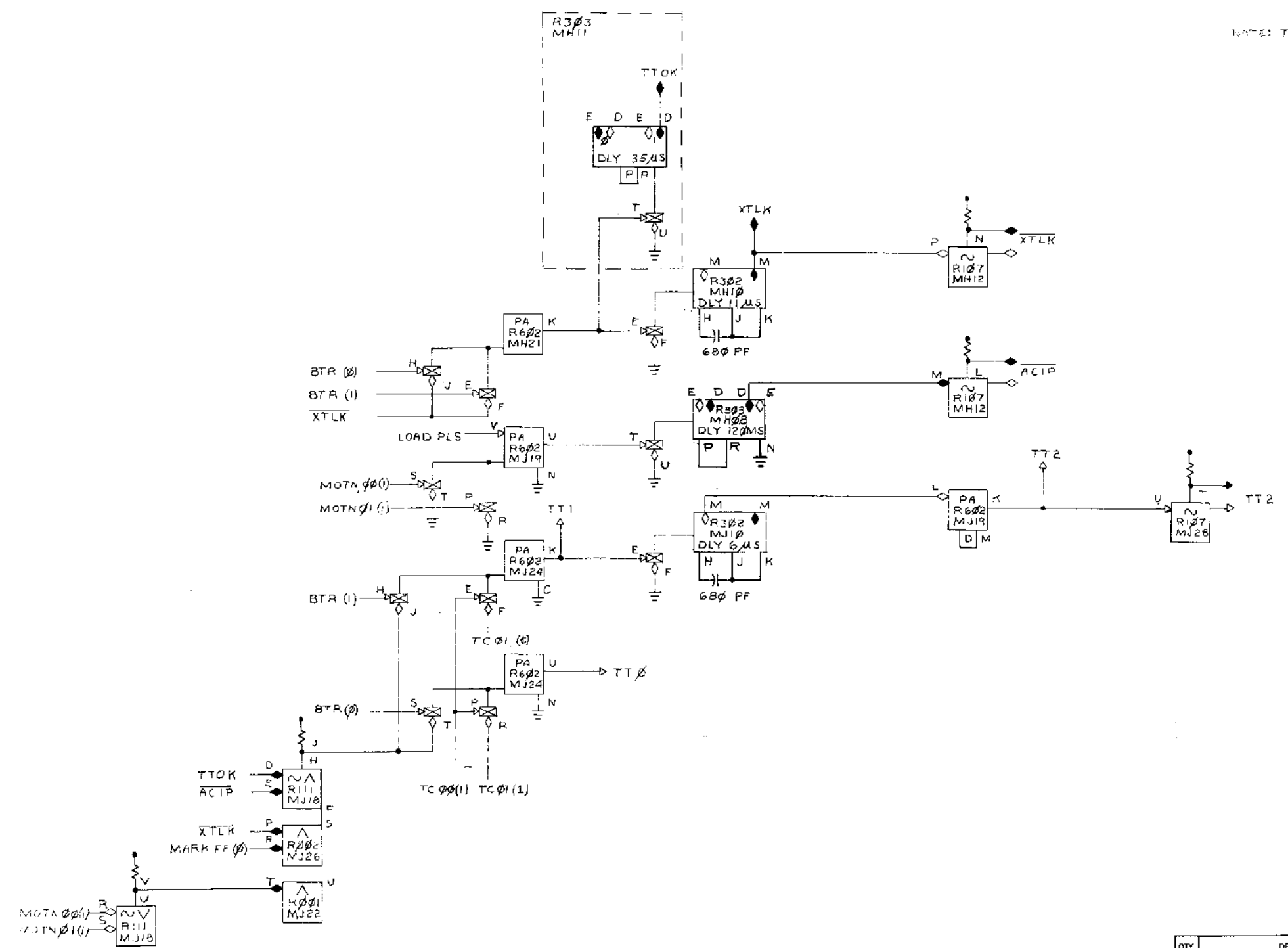
UNLESS OTHERWISE SPECIFIED	UNLESS OTHERWISE SPECIFIED
DIMENSION IN INCHES	TOLERANCES
DECIMALS	FRACTIONS
± .005	± 1/64
	± 0.002
FINAL SURFACE QUALITY	REMOVE BURRS AND BREAK SHARP CORNERS

QTY.	DESCRIPTION	PART NO.	ITEM NO.
PARTS LIST			
digital EQUIPMENT CORPORATION MAYNARD, MASSACHUSETTS			
TITLE: MAG TAPE TIMING GEN.			
FIRST USED ON: LINC 8		SCALE: DIST.	REV. E
SHEET 1 OF 1		NUMBER: DBS LINC 8-0-M11	

DBS LINC 8-0-M11

This drawing and specifications, herein, are the property of Digital Equipment Corporation and shall not be reproduced or copied or used in whole or in part as the basis for the manufacture or sale of items without written permission.

NOTE: TTOK = 40μS ON 500PS SYSTEMS



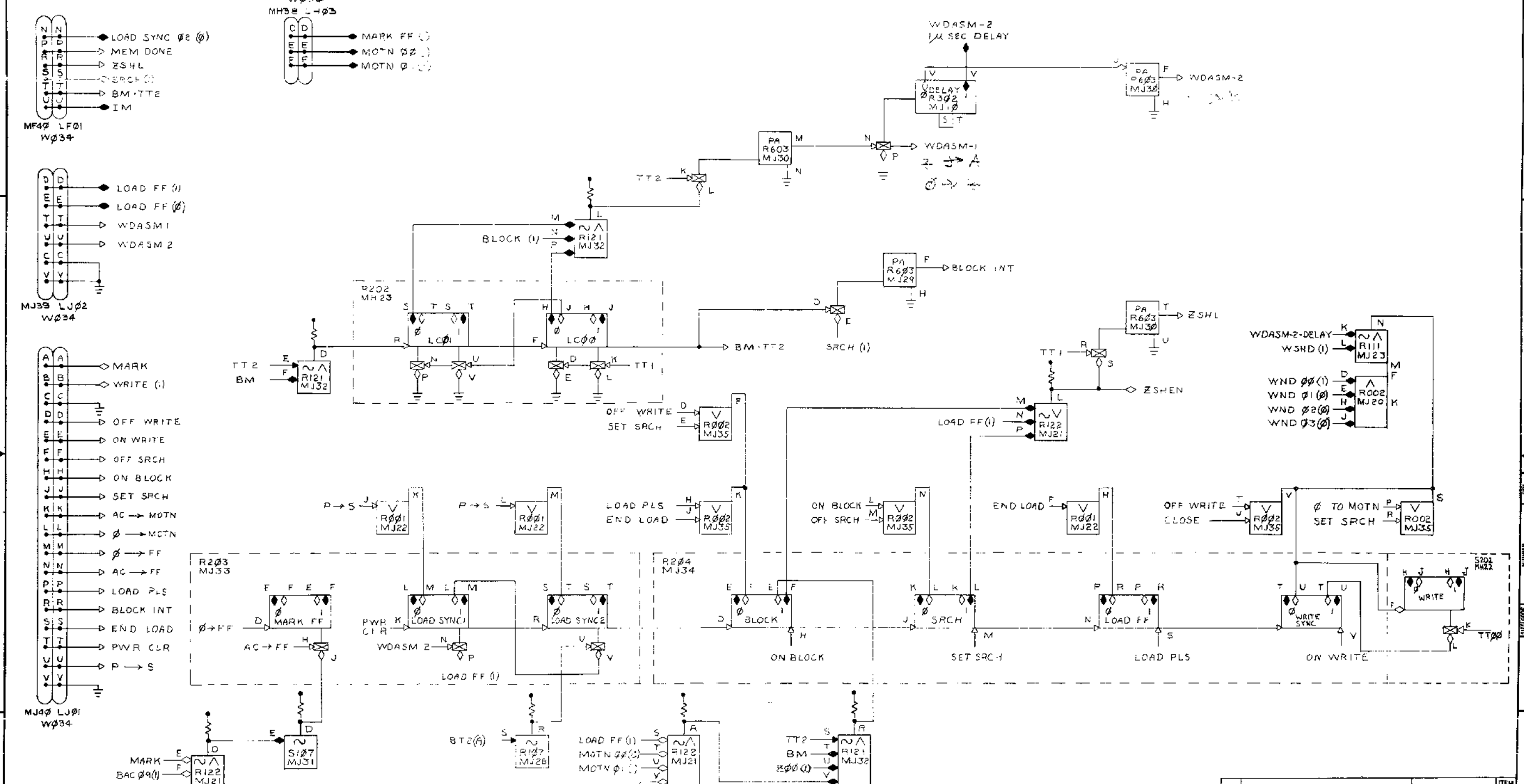
BTR	00	M09
LOAD FF	M12	
MARK FF	M12	
MOTN 00	M18	
MOTN 01	M18	

REV.	1
CHANGE NO.	2-27-67
CHK	L. L. L...
DESIGNER	P. J. L...

QTY.	DESCRIPTION	PART NO.	ITEM NO.
PARTS LIST			
UNLESS OTHERWISE SPECIFIED		DIR.	DATE
UNLESS OTHERWISE SPECIFIED		CHKD.	DATE
DIMENSION IN INCHES		ENG.	DATE
TOLERANCES		PROJ. ENG.	DATE
DECIMALS FRACTIONS ANGLES		PROD.	DATE
= .005 = 1/64 = 0°30'		FIRST USED ON	
FINAL SURFACE QUALITY		LINC 8	
REMOVE BURRS AND BREAK SHARP CORNERS		SCALE	
MATERIAL		SHEET 1 OF 1	
FINISH		DIST.	
TITLE		REV.	
MAG TAPE TIMING GEN.		A	
SIZE CODE		NUMBER	
DES LINC8-0-MII		REV.	
DIST.		A	

REV. A
NUMBER
DES LINC8-0-MII

This drawing and specifications, herein, are the property of Digital Equipment Corporation and shall not be reproduced or copied or used in whole or in part as the basis for the manufacture or sale of items without written permission.



REV.	CHANGE NO.	DATE
1	17-6-32-67	

DESCRIPTION	ITEM NO.
AC TO FF	L17
AC TO MOTN	L17
BM	M13
CLOSE	M13
END LGAD	L21
LOAD	L28
LOAD PLS	L16
MARK	L16
OFF SRCH	L17
OFF WRITE	L17
ON BLOCK	L17
ON WRITE	L17

DESCRIPTION	ITEM NO.
P TO S	L21
PWR CLR	L16
SET SRCH	L17
S TO FF	L17
S TO MOTN	L17

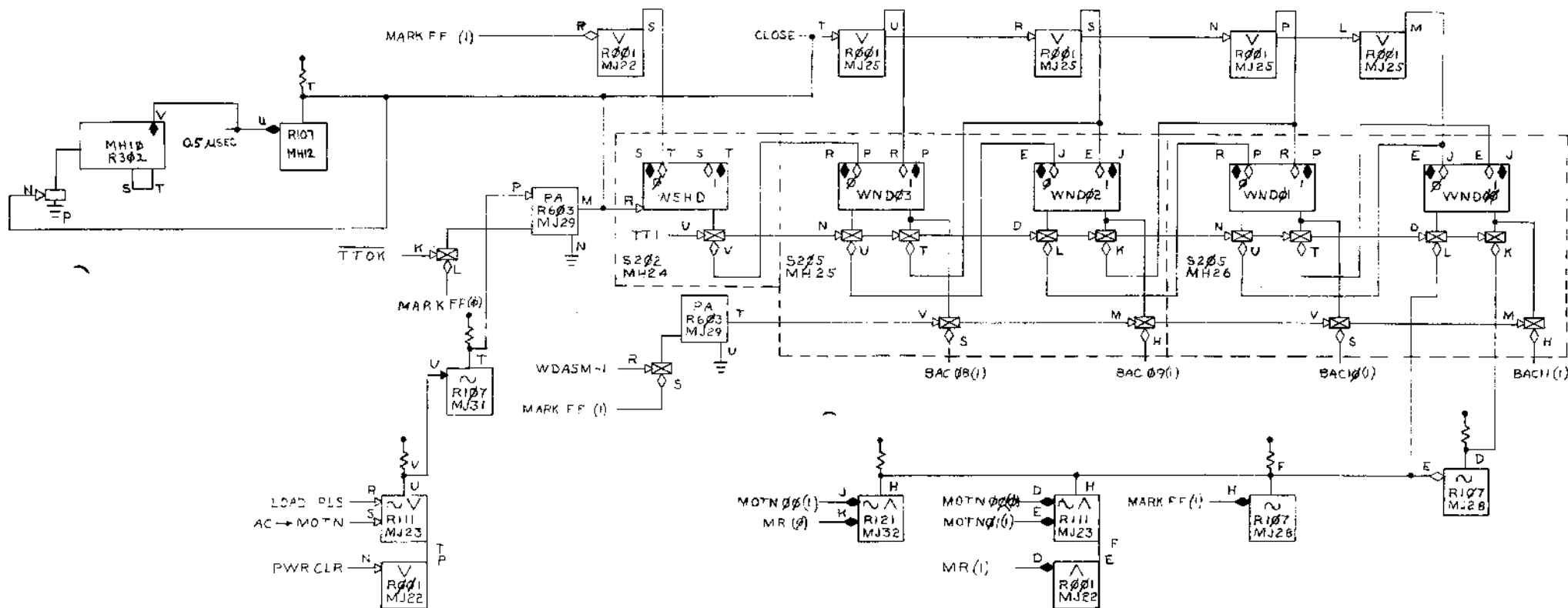
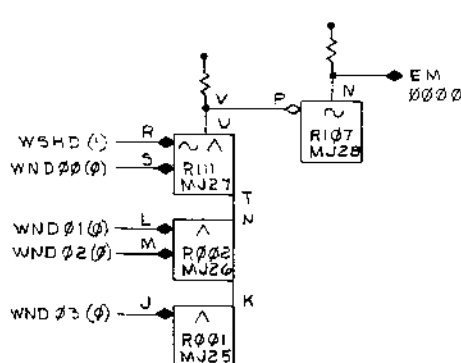
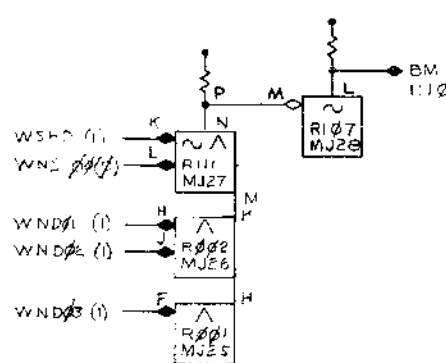
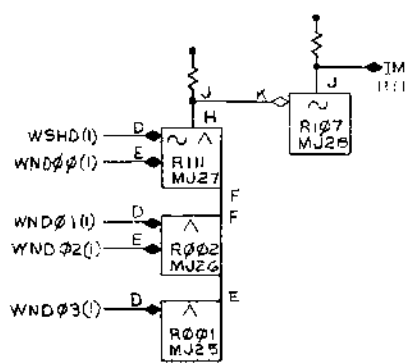
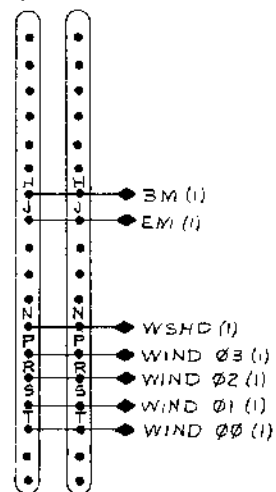
DESCRIPTION	ITEM NO.
BT2(A)	R127
LOAD FF (1)	R122
MOTN (1)	R121
MOTN (2)	R121
MOTN (3)	R121
TT2	R121
BM	R121
Z(1)	MJ30

DESCRIPTION	ITEM NO.
MARK	R122
BAC (1)	R122
S107	MJ31
S108	MJ31

QTY.	DESCRIPTION	PART NO.	ITEM NO.
PARTS LIST			
1	digital EQUIPMENT CORPORATION		
MAG TAPE MODE CONTROL			
FIRST USED ON		SIZE CODE	NUMBER
LINC 8		D B S LINC 8-0-M12	REV. A
SCALE		DIST.	
SHEET 1 OF 1			

This drawing and specifications, herein, are the property of Digital Equipment Corporation and shall not be reproduced or copied or used, in whole or in part as the basis for the manufacture or sale of items without written permission.

#034 W034
LH03 MH38

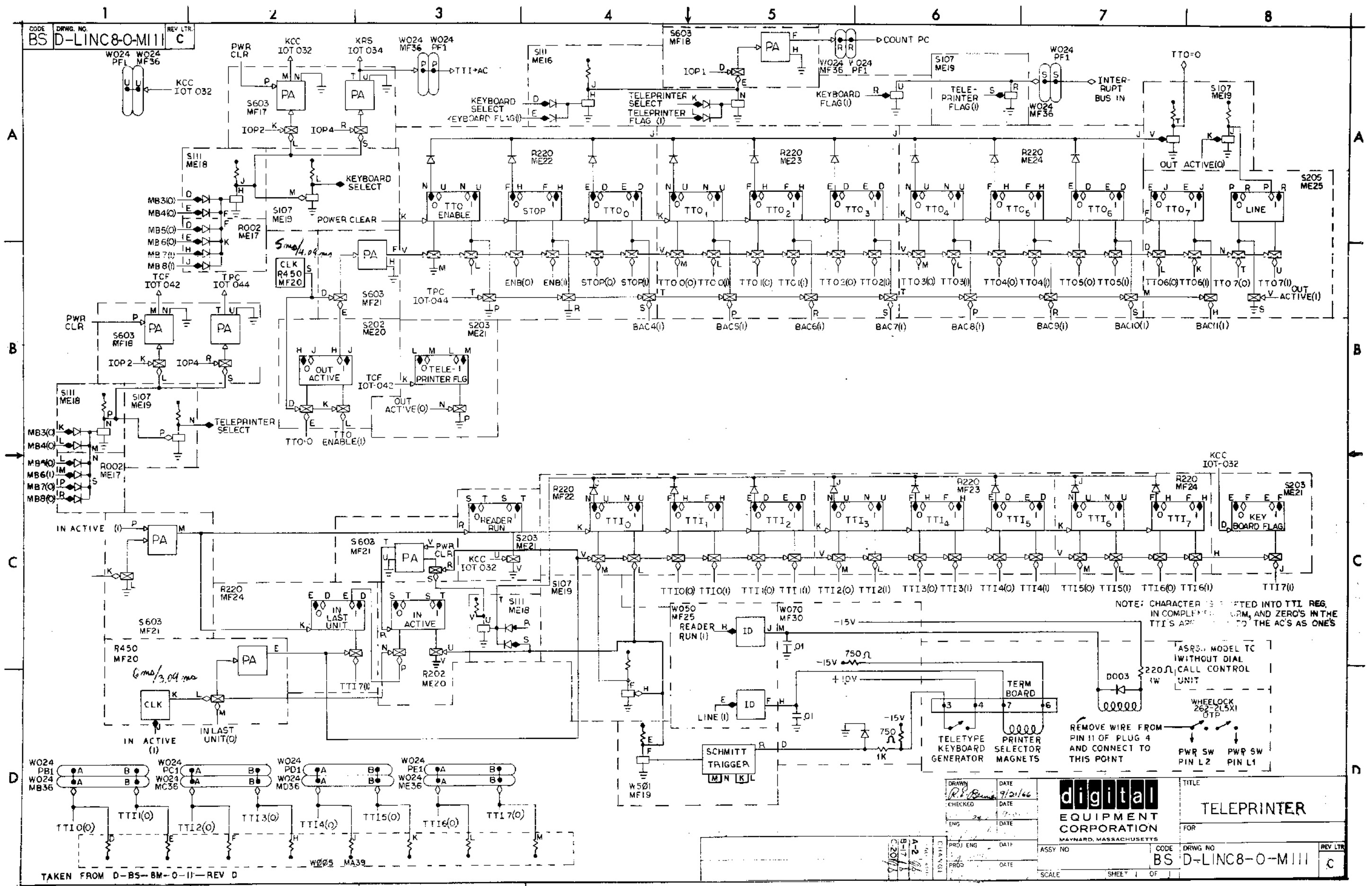


LOAD FF	M12
LOAD PLS	L18
MARK FF	M12
MOTN 00	V18
MOTN 01	V18
MR	M09
WDASM 1	M12

UNLESS OTHERWISE SPECIFIED:
 DIMENSIONS IN INCHES
 DECIMALS FRACTIONS ANGLES
 ±.005 ±.004 ±.030
 FINAL SURFACE QUALITY
 REMOVE BURRS AND BREAK SHARP CORNERS

QTY.	DESCRIPTION	PART NO.	ITEM NO.
PARTS LIST			
DIGITAL EQUIPMENT CORPORATION MILITARY MARKING METRIC			
TITLE MAG TAPE MARK WINDOW			
FIRST USED ON LINC 8			
SCALE		NUMBER	REV.
SHEET 1 OF 1		D BSLINC8-0-M13	C

REV.	CHANGE NO.	DATE	BY
1	1	8-27-67	A
2	2		
3	3		
4	4		



digital
EQUIPMENT CORPORATION
MAYNARD, MASSACHUSETTS

TITLE
TELEPRINTER

DRAWN R.P. B...	DATE 9/21/66
CHECKED	DATE
ENG	DATE
PROJ ENG	DATE
PROD	DATE

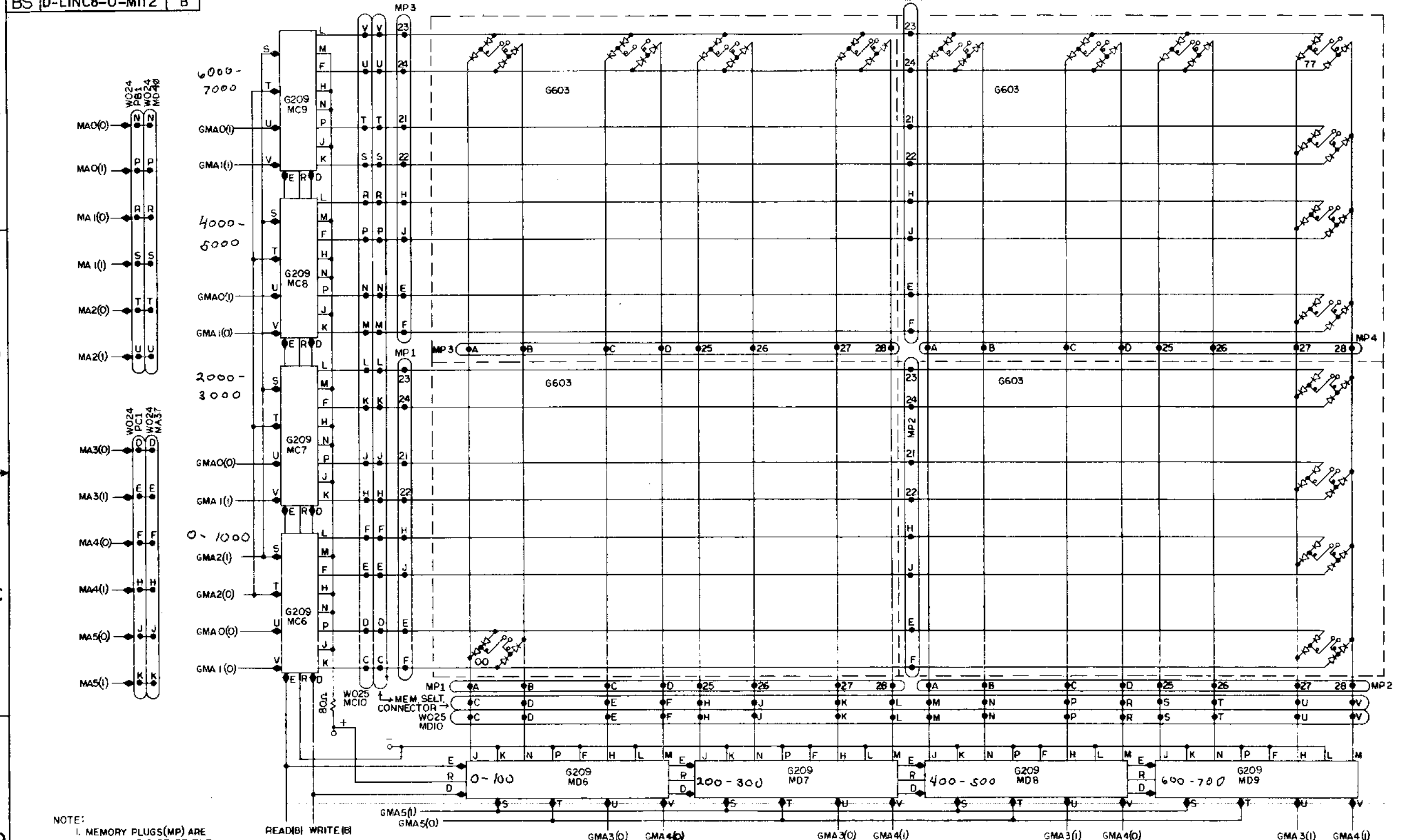
ASSY NO
CODE
DRWG NO
REV LTR

BS D-LINC8-0-M111 C

SCALE SHEET 1 OF

TAKEN FROM D-BS--BM-0-11--REV D

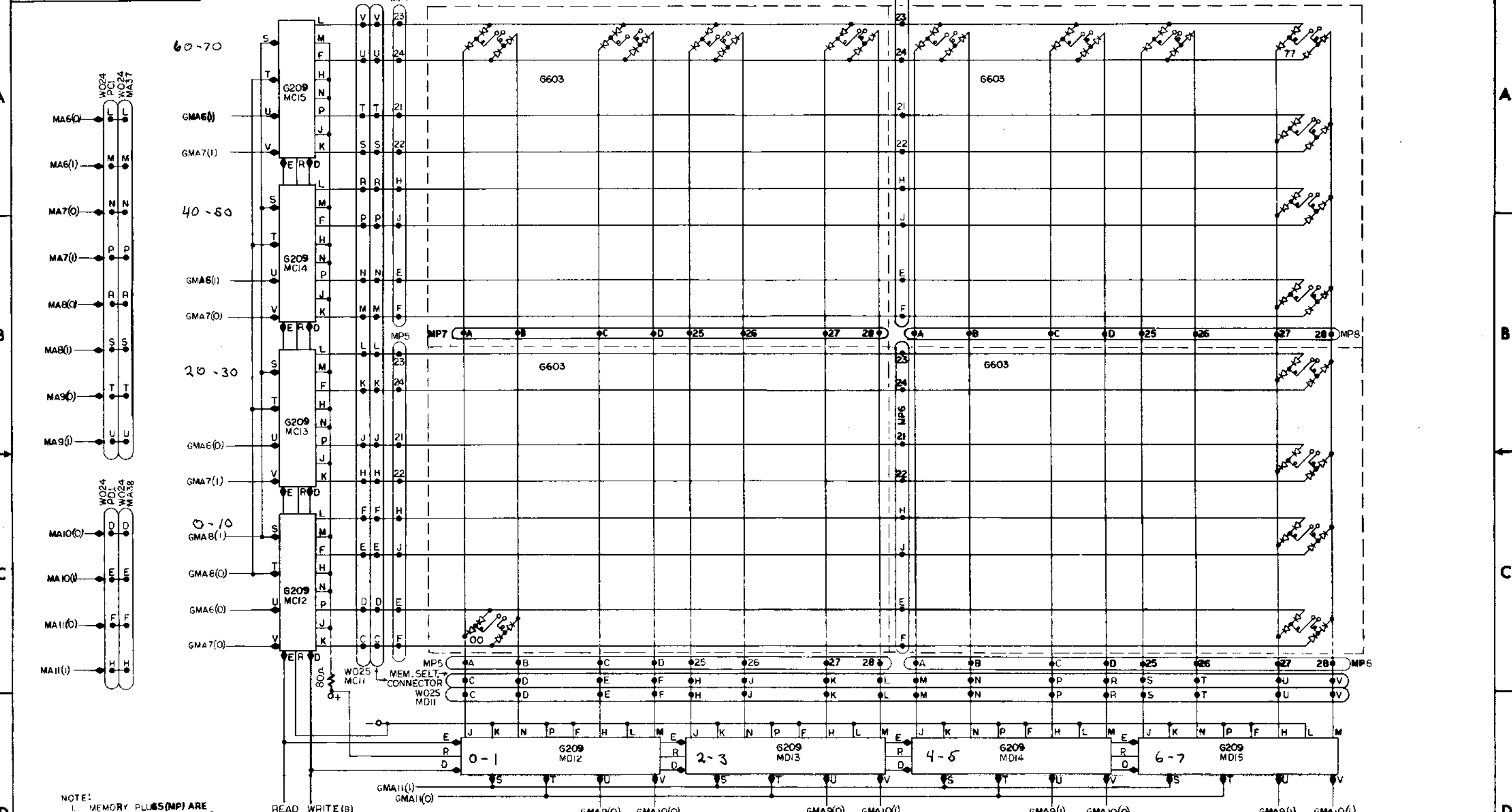
CODE **BS** DRWG. NO. **D-LINC8-0-M112** REV. LTR. **B**



NOTE:
 1. MEMORY PLUGS(MP) ARE LOCATED ON THE SIDE OF THE MEMORY STACK.
 2. TAKEN FROM D-BS-BM-0-12 REV B

REV. LTR.		DATE		<p>digital EQUIPMENT CORPORATION MAYNARD, MASSACHUSETTS</p>	TITLE	
A		9/20/66			X AXIS SELECTION	
B		7/23/66			FOR	
C		10-1-66			CODE	
D		10-1-66		ASSY NO		DRWG. NO. BS D-LINC8-0-M112
E		10-1-66		SHEET		REV. LTR. B

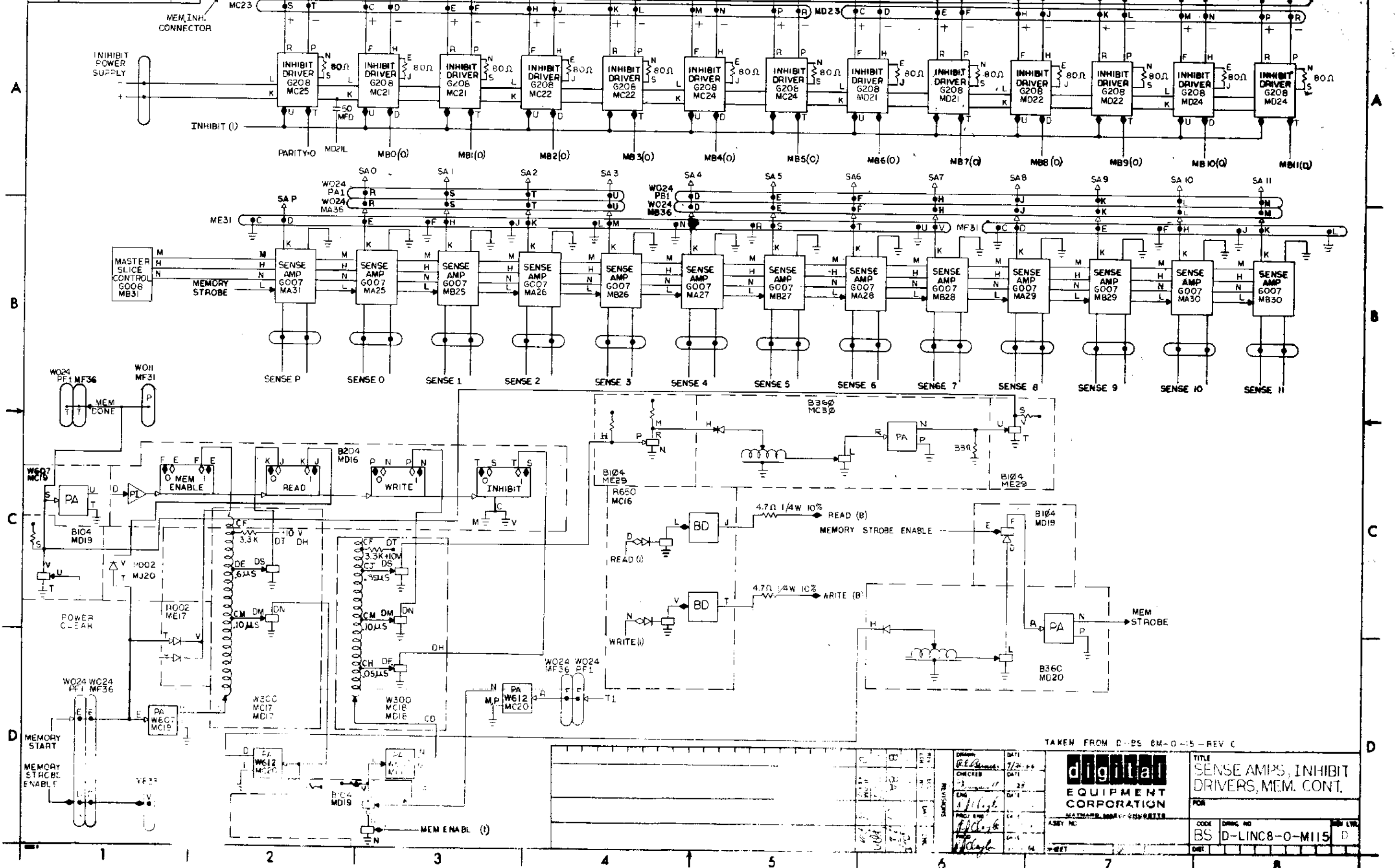
CODE **BS** DRWG. NO. **D-LINC8-0-M113** REV. LTR. **B**



NOTE:
 1. MEMORY PLUS(MP) ARE LOCATED ON THE SIDE OF THE MEMORY STACK.
 2. TAKEN FROM D-85-8M-0-13-REV B

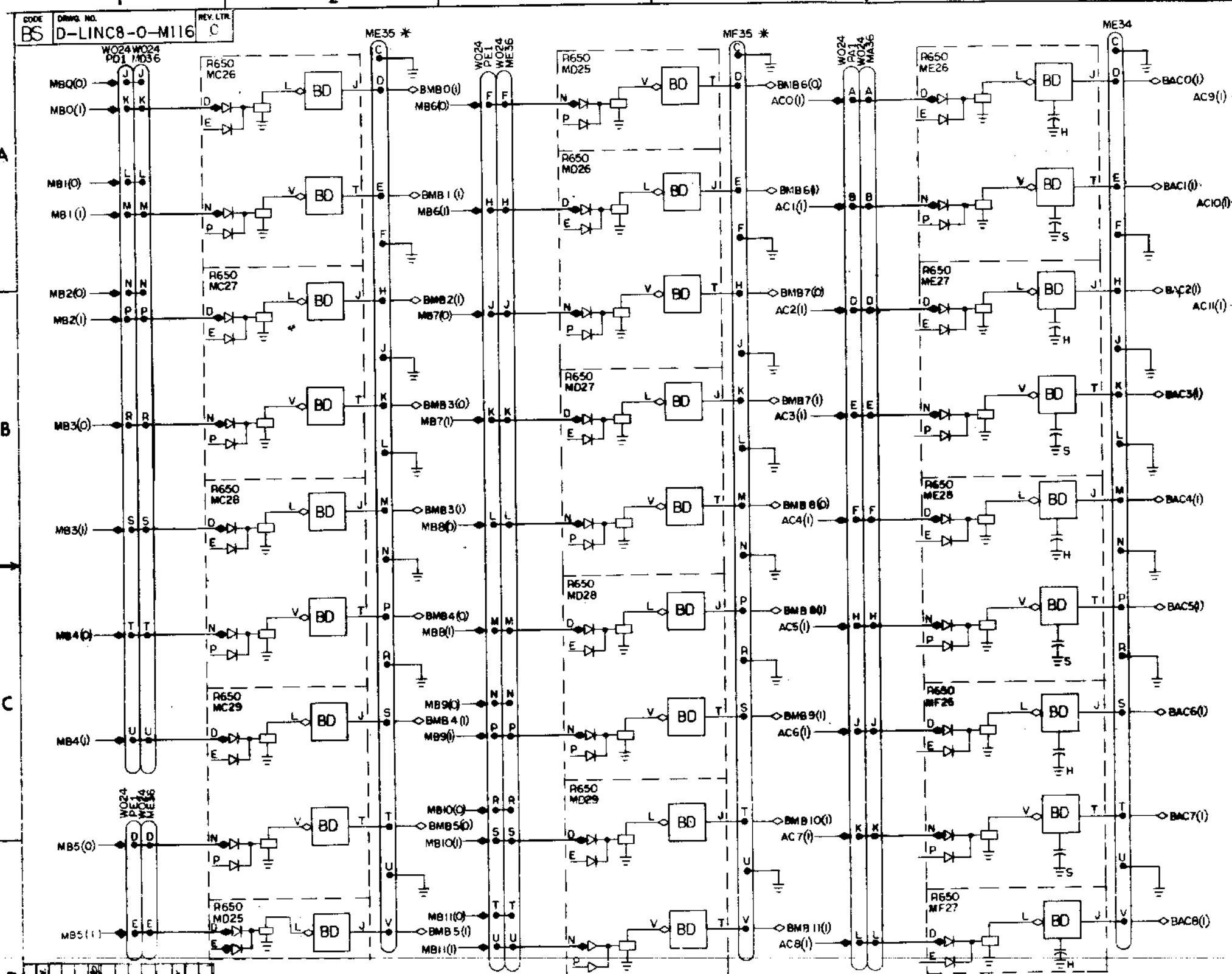
DRWING LTR. NO. D-LINC8-0-M113 DATE 4/17/66		DATE 7/20/66 CHECKED [Signature]		DATE 7/20/66 ENG. [Signature]		DATE 7/20/66 PROJ. ENR. [Signature]		DATE 7/20/66 PROD. [Signature]		
TITLE Y AXIS SELECTION				FOR				CODE BS D-LINC8-0-M113		REV. LTR. B
ASSY. NO.				SHEET 33 OF 51				DATE		DWT.



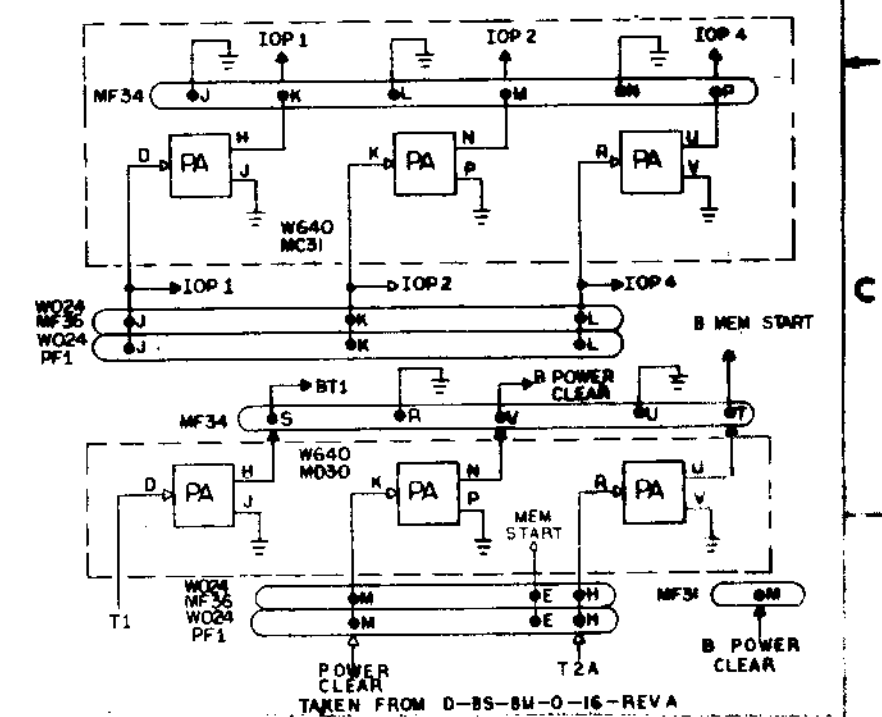


TAKEN FROM D-BS 8M-0-15-REV C

DESIGN CHECKED ENG PROJ. ENG DATE	DATE 7/2/54	digital EQUIPMENT CORPORATION MATTHEW MARK GIBNETT ASBY NO.	TITLE SENSE AMPS, INHIBIT DRIVERS, MEM. CONT.
	DATE 28		
	DATE 11/1/54		
	DATE 11/1/54		
FOR	CODE BS	DRAWING NO. D-LINC8-0-M115	REV. LTR. D



* IF CABLES ARE PLUGGED INTO THESE LOCATIONS, THEY WILL BE TERMINATED BY G795 TERMINATOR CARDS TO PREVENT EXCESSIVE RINGING OF THE BMB LINE. IF THE CABLES ARE NOT USED, THE G795 MODULES WILL BE IN SLOTS ME35 AND MF35.



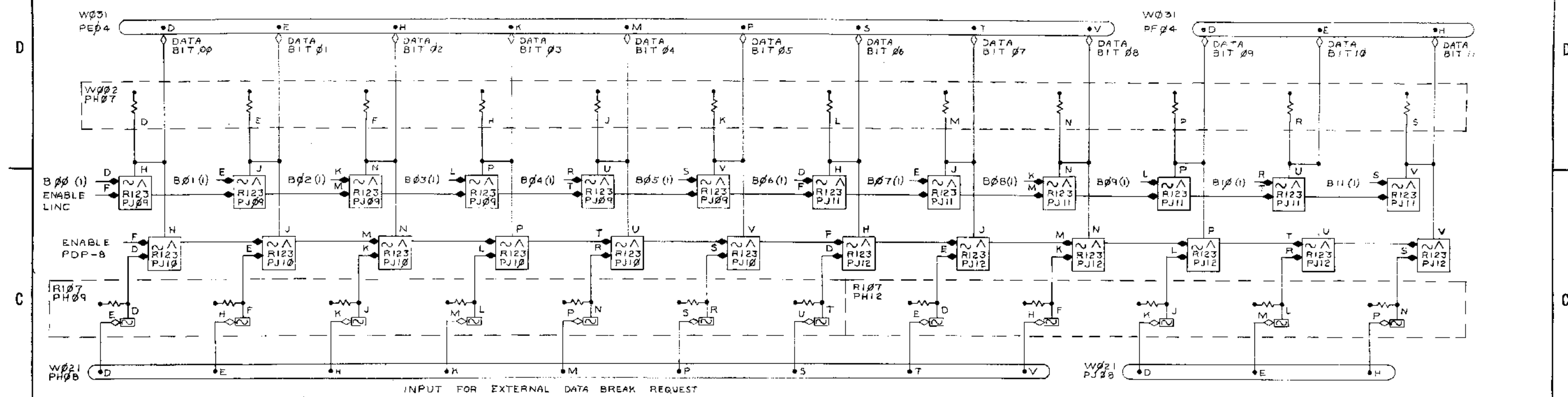
REV.	NO.	DATE	BY
1	1	1-15-66	...
2	1	1-15-66	...
3	1	1-15-66	...
4	1	1-15-66	...
5	1	1-15-66	...
6	1	1-15-66	...
7	1	1-15-66	...
8	1	1-15-66	...
9	1	1-15-66	...
10	1	1-15-66	...

UNLESS OTHERWISE SPECIFIED DIMENSIONS IN INCHES	DATE	7-23-66
TOLERANCES	BY	...
DECIMALS FRACTIONS ANGLES	DATE	1-15-66
± .005 ± .010 ± .015 ± .020	DATE	1-15-66
FULL FINISH QUALITY	DATE	1-15-66
REWORK SHOULD BE DONE GROUP	DATE	1-15-66
CONFORM	DATE	1-15-66
MATERIAL	FROM USES/IN	
FINISH	SCALE	
	SHEET 1 OF 5	

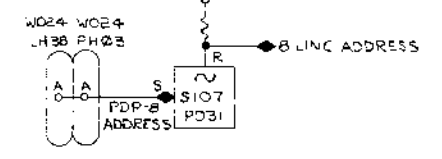
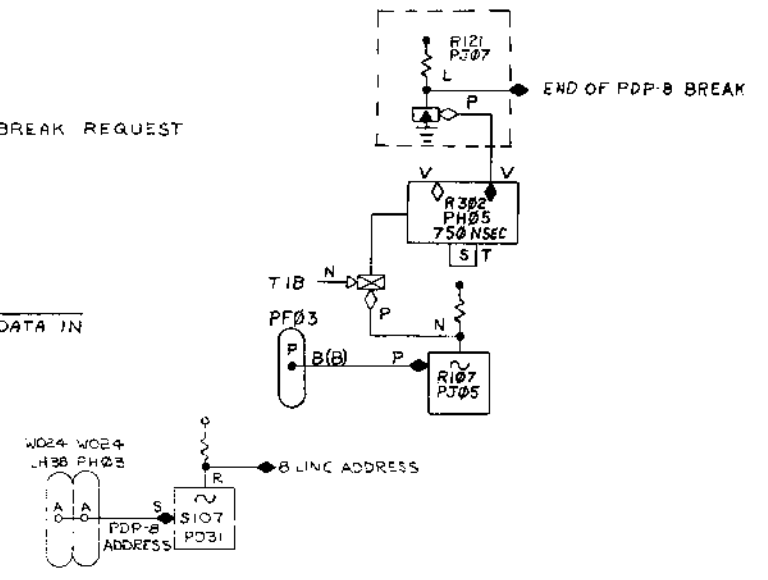
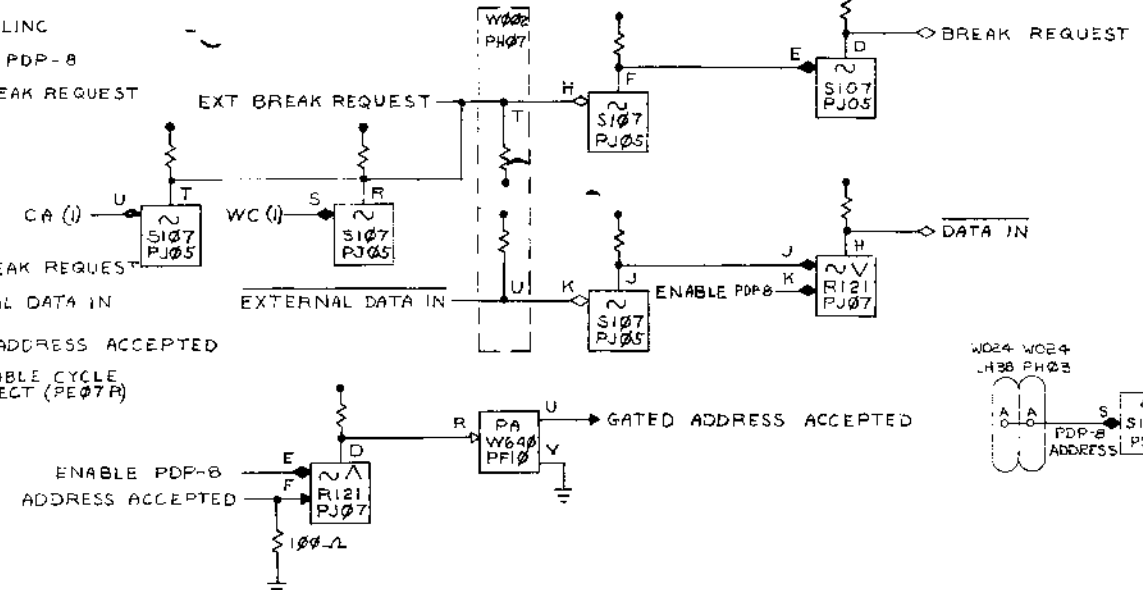
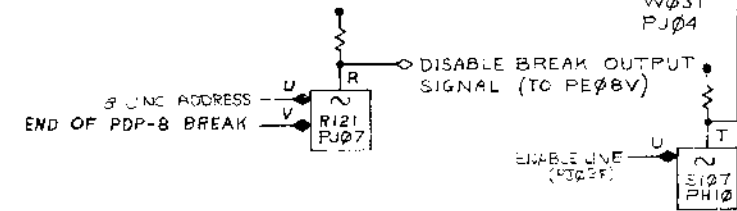
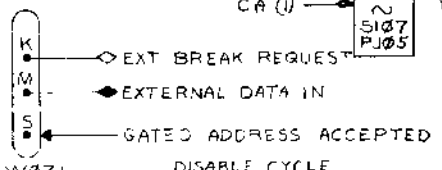
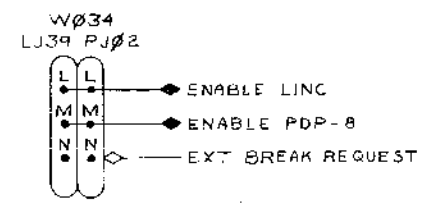
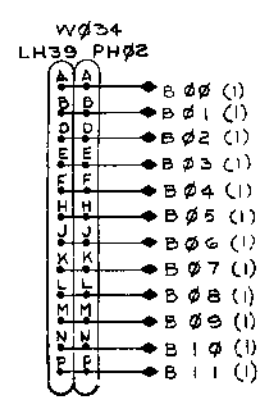
IN OUT BUFFERS

D B S L I N C 8 - 0 - M I I 6

This drawing and specifications, herein, are the property of Digital Equipment Corporation and shall not be reproduced or copied or used in whole or in part as the basis for the manufacture or sale of items without written permission.



INPUT FOR EXTERNAL DATA BREAK REQUEST



REVISIONS

CHK	CHANGE NO.	REV.
EDD	1	A
J. MILTON	2	B

DATE: 7-13-62
 BY: J. MILTON
 CHECKED: J. MILTON

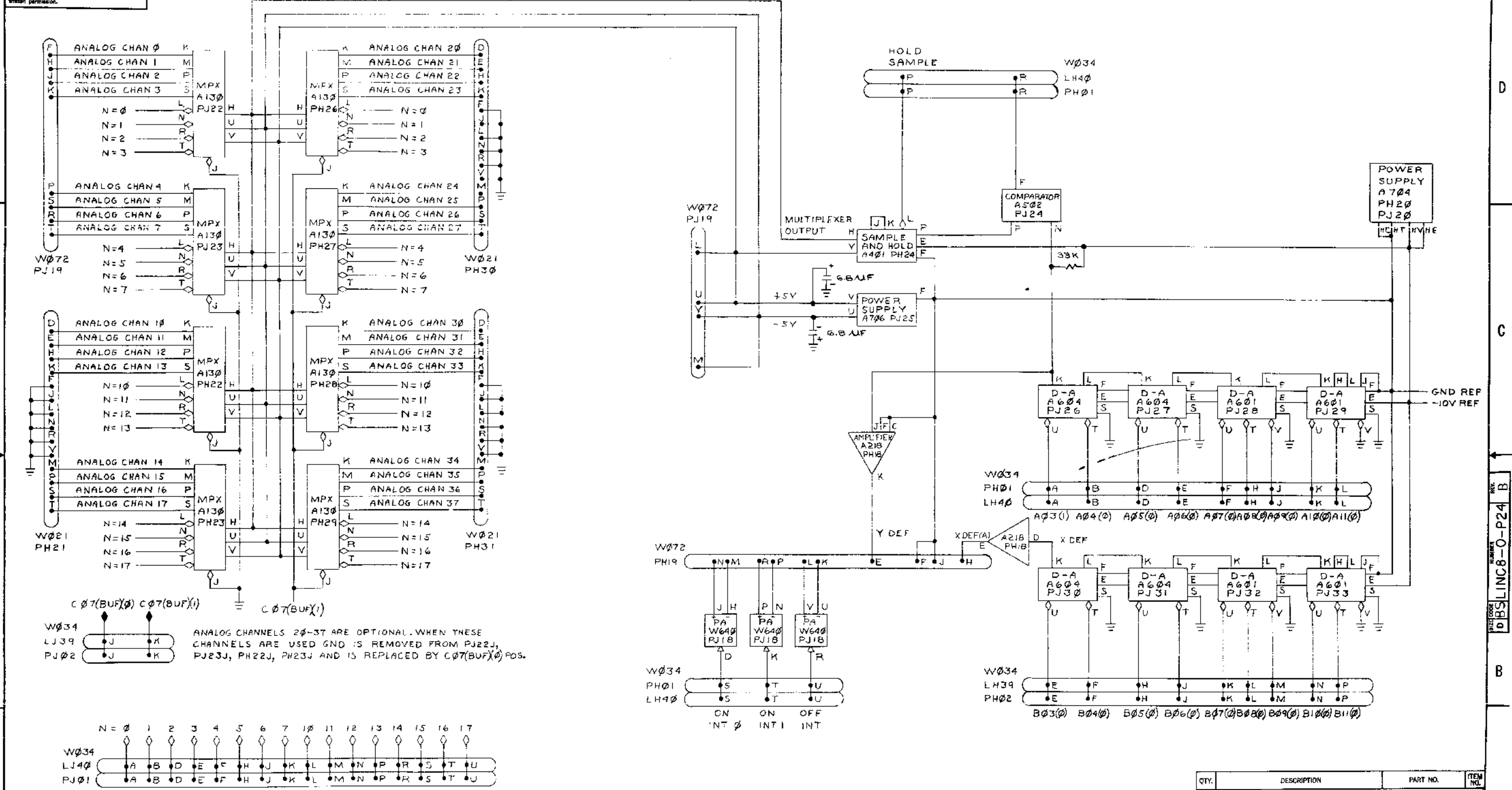
BA0-B11 102

UNLESS OTHERWISE SPECIFIED
 DIMENSION IN INCHES
 TOLERANCES
 DECIMALS FRACTIONS ANGLES
 = .005 = 1/64 = 0°30'

QTY.	DESCRIPTION	PART NO.	ITEM NO.
PARTS LIST			
	digital EQUIPMENT CORPORATION		
TITLE			
DATA BITS			
00-11 GATES			
SCALE	SIZE CODE	NUMBER	REV.
	D	B	B
SHEET	OF	DIST.	

REV. B
 NUMBER
 DIBS LINC8-0-P23

This drawing and specifications, herein, are the property of Digital Equipment Corporation and shall not be reproduced or copied or used in whole or in part as the basis for the manufacture or sale of items without written permission.



ANALOG CHANNELS 20-37 ARE OPTIONAL. WHEN THESE CHANNELS ARE USED GND IS REMOVED FROM PJ22J, PJ23J, PH22J, PH23J AND IS REPLACED BY C07(BUF) POS.

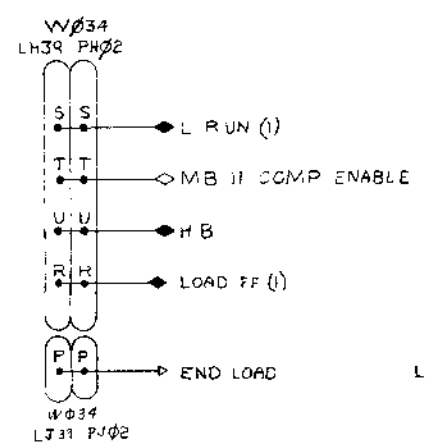
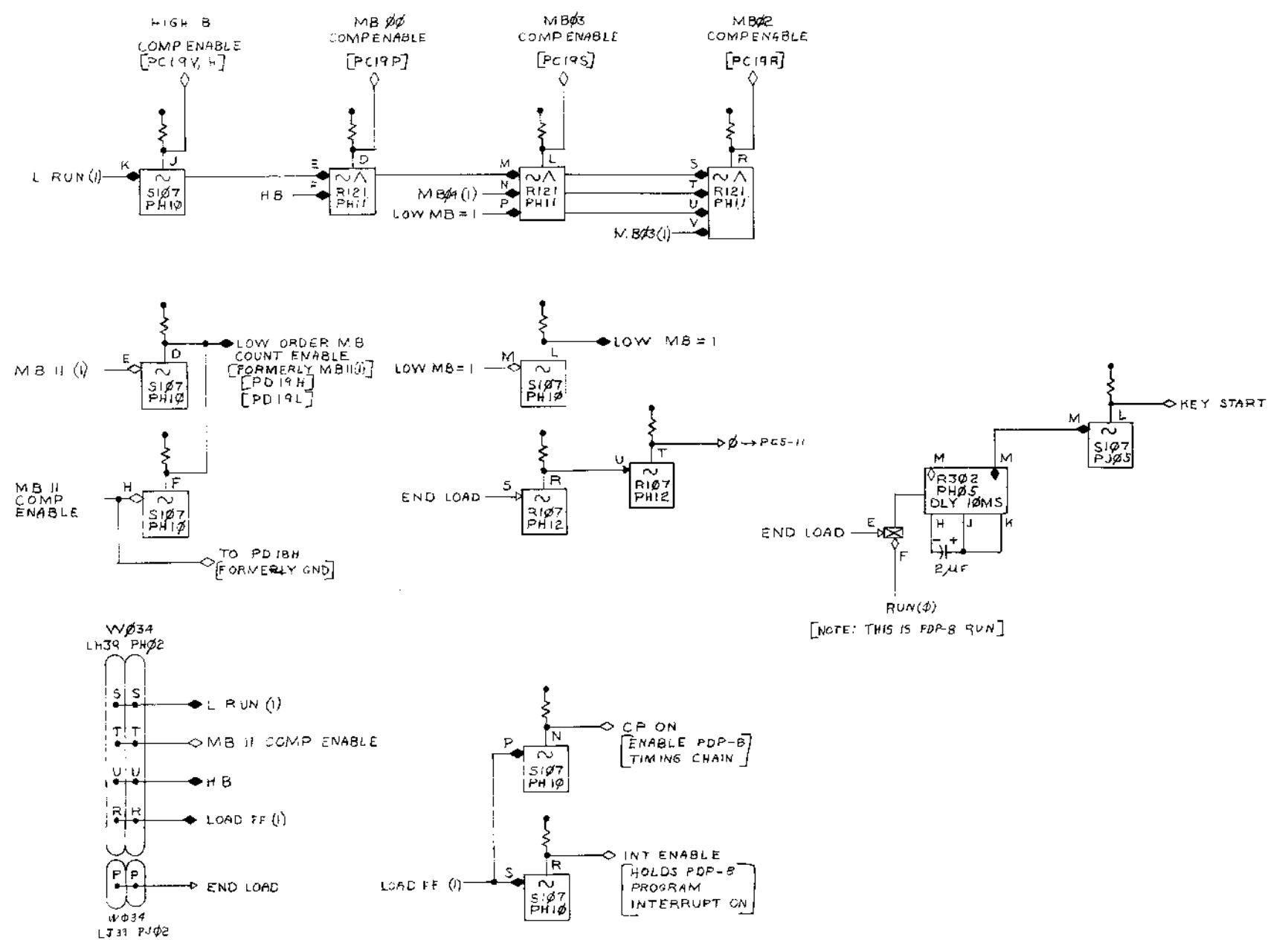
REV.	CHANGE NO.	DATE	BY
A	0001	1-10-69	L. GALE
B	0002	2-10-69	L. GALE
C	0003	3-10-69	L. GALE

DEC FORM NO. 990 102

QTY.	DESCRIPTION	PART NO.	ITEM NO.
	PARTS LIST		
	digital EQUIPMENT CORPORATION		
ANALOG SYSTEM			
SIZE CODE		NUMBER	REV.
D BS LINC8-0-P24		B	B
SCALE		SHEET OF	

DBS LINC8-0-P24

This drawing and specifications, herein, are the property of Digital Equipment Corporation and shall not be reproduced or copied or used in whole or in part as the basis for the manufacture or sale of items without written permission.

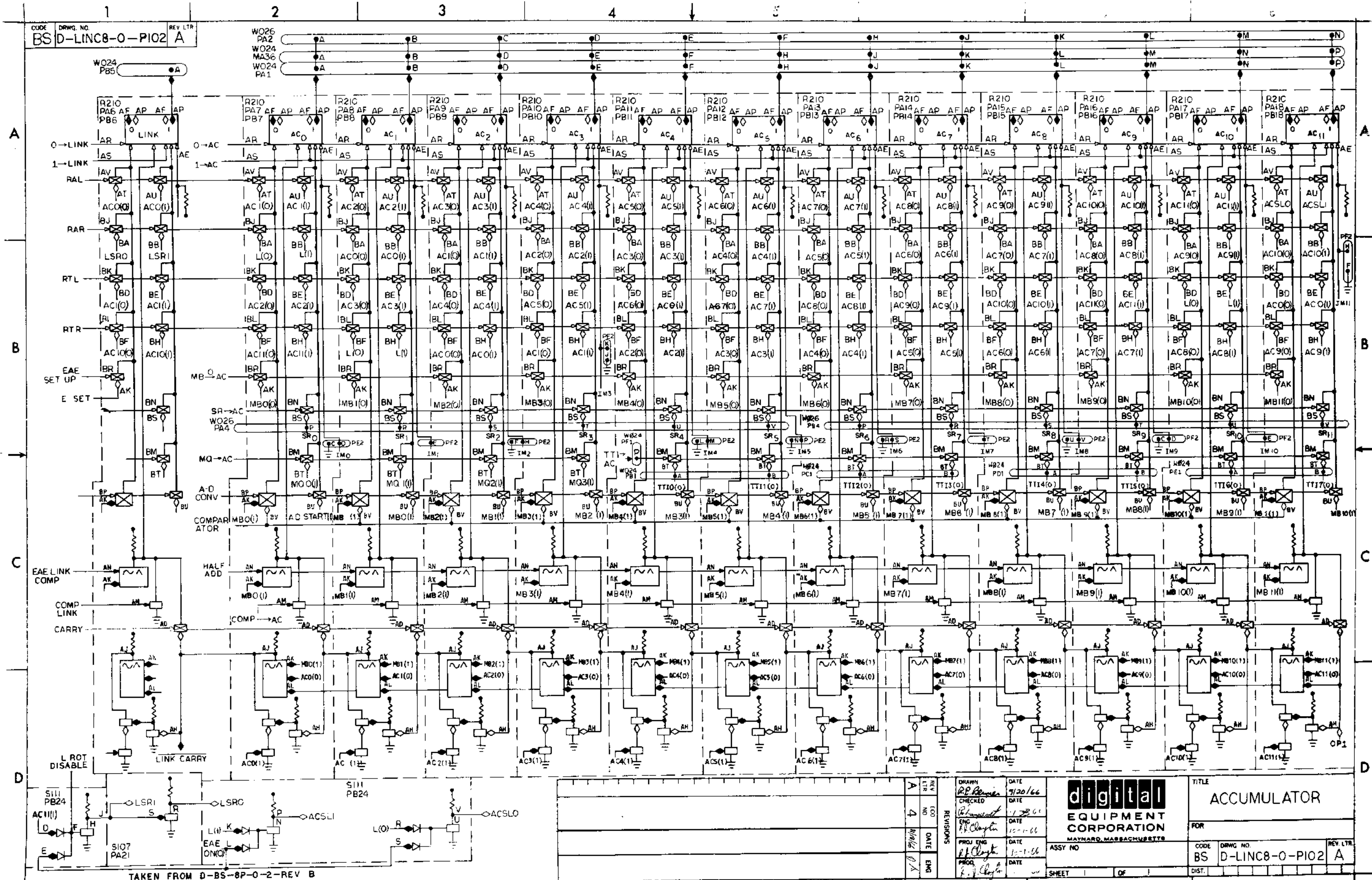


END LOAD	L21
HB	L18
L RUN	L18
MB II COMP ENABLE	L18

UNLESS OTHERWISE SPECIFIED
 DIMENSION IN INCHES
 TOLERANCES
 DECIMALS FRACTIONS ANGLES
 ±.005 ± 1/64 ± 0°30'
 FINAL SURFACE QUALITY
 REMOVE BURRS AND BREAK SHARP CORNERS

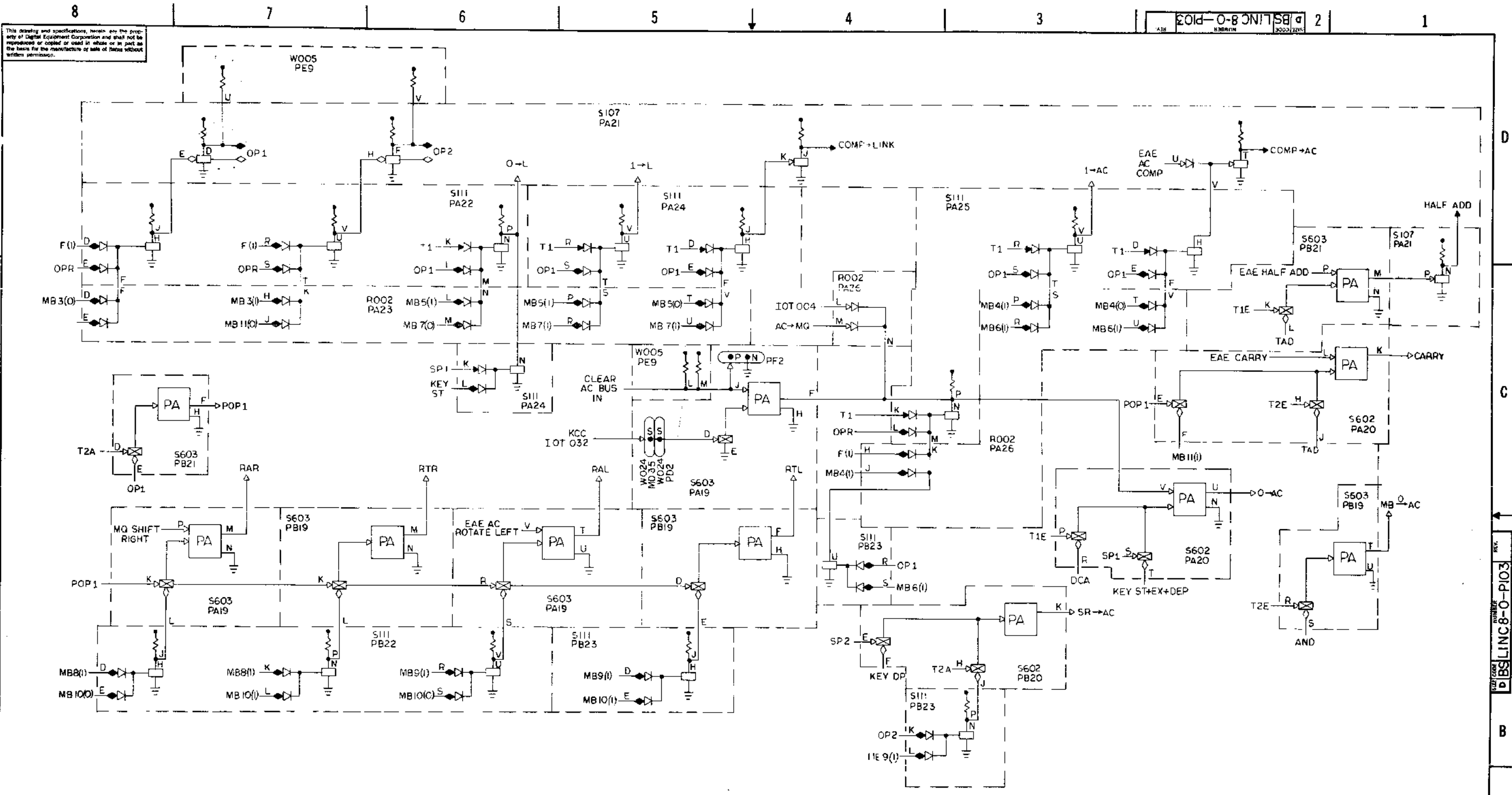
QTY.	DESCRIPTION	PART NO.	ITEM NO.
PARTS LIST			
		digital EQUIPMENT CORPORATION MAYNARD, MASSACHUSETTS	
	TITLE MB & LOAD MODS. IN PDP-8		
	FIRST USED ON LINC 8	SCALE	REV.
	SHEET 1 OF 1	DIST.	

REV.	CHG.	NO.



TAKEN FROM D-BS-8P-0-2-REV B

REVISIONS NO. DATE BY 1 1/20/66 R.P. Palmer 2 1/21/66 R.P. Palmer 3 1/21/66 R.P. Palmer 4 1/21/66 R.P. Palmer 5 1/21/66 R.P. Palmer 6 1/21/66 R.P. Palmer 7 1/21/66 R.P. Palmer 8 1/21/66 R.P. Palmer		DRAWN R.P. Palmer 7/20/66 CHECKED DATE 1/21/66 PROJ. ENG. DATE 1/21/66 PROG. DATE 1/21/66	DATE 7/20/66 DATE 1/21/66 DATE 1/21/66 DATE 1/21/66	digital EQUIPMENT CORPORATION MAYNARD, MASSACHUSETTS	TITLE ACCUMULATOR FOR CODE BS D-LINC8-0-PI02 A REV. LTR. A
SHEET 7 OF 8			ASSY NO.		

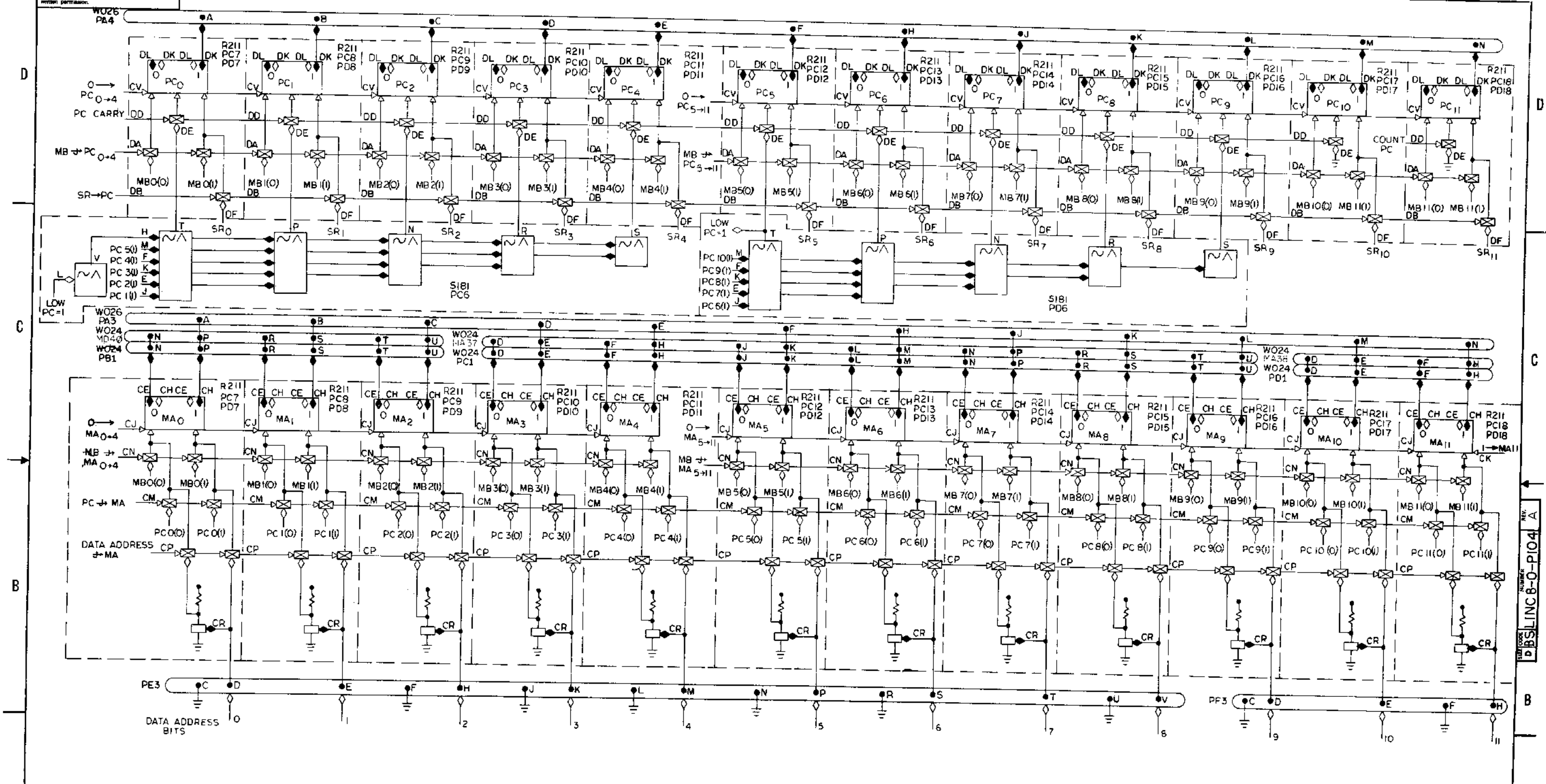


This drawing and specifications, herein are the property of Digital Equipment Corporation and shall not be reproduced or copied or used in whole or in part as the basis for the manufacture or sale of items without written permission.

D BSLINC 8-0-PI03

TAKEN FROM D-BS-8P-0-3-REV C			
QTY.	DESCRIPTION	PART NO.	ITEM NO.
PARTS LIST			
UNLESS OTHERWISE SPECIFIED		DATE 9/20/66	
UNLESS OTHERWISE SPECIFIED		DATE 4/28/66	
DIMENSION IN INCHES		DATE 10-1-66	
TOLERANCES		DATE 10-2-66	
DECIMALS FRACTIONS ANGLES		DATE 10-7-66	
±.008 ±.04 ± 0°22'		DATE 10-7-66	
FINAL SURFACE QUALITY		DATE 10-7-66	
REMOVE BURRS AND BREAK SHARP EDGES		DATE 10-7-66	
MATERIAL		FIRST USED ON	
FINISH		LINC 8	
SCALE		SIZE CODE NUMBER	
SHEET OF J		D BSLINC 8-0-PI03	
DIST.		REV.	

This drawing and specifications, herein, are the property of Digital Equipment Corporation and shall not be reproduced or copied in whole or in part as the basis for the manufacture or sale of items without written permission.



REVISIONS

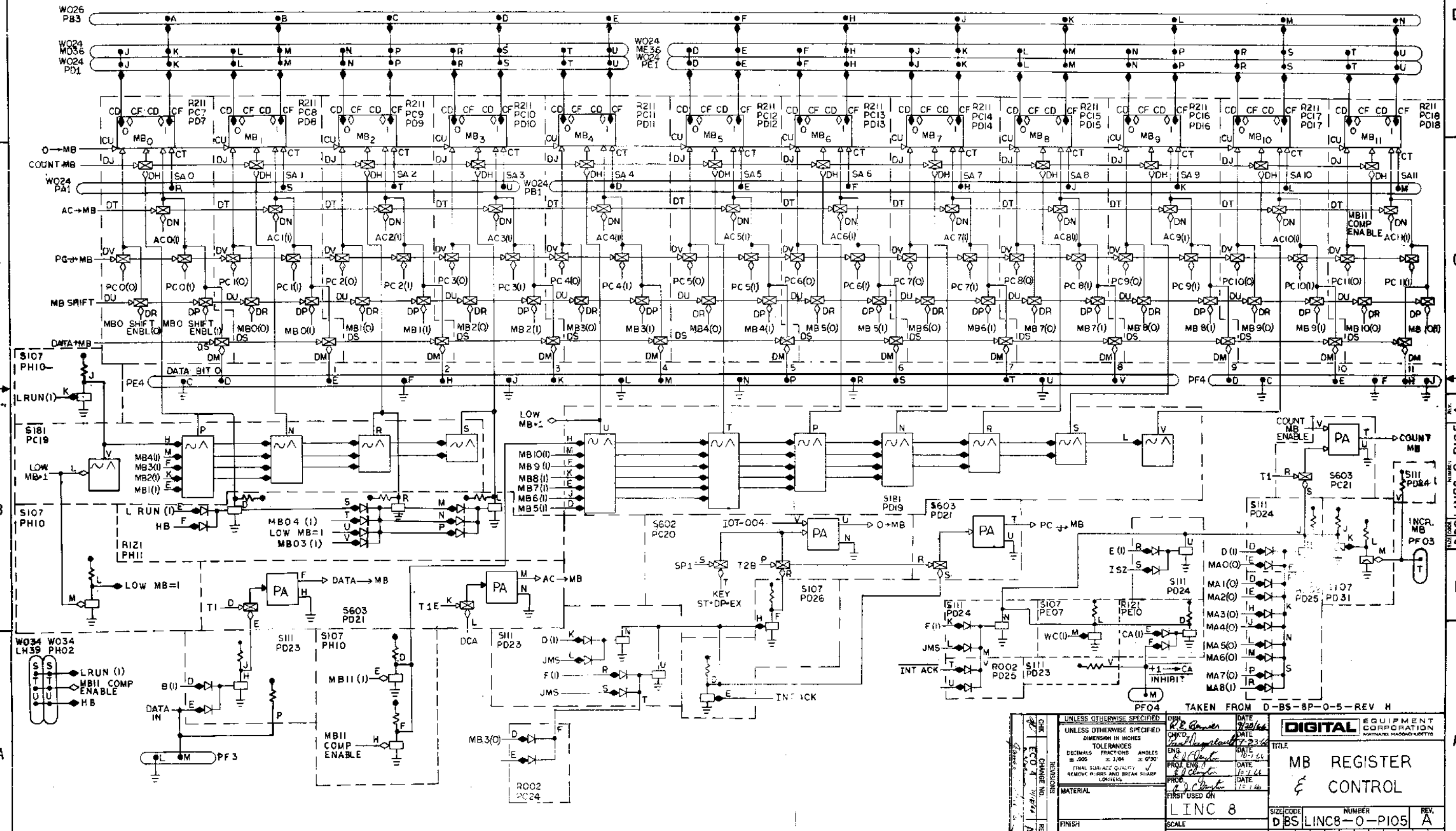
CHK	CHANGE NO.	REV.
1	1	A

DATE: 7-20-66
 BY: [Signature]
 CHECKED: [Signature]
 ENGINEER: [Signature]
 PROJ. ENG. [Signature]
 PROD. [Signature]

TAKEN FROM D-BS-BP-0-4-REV C

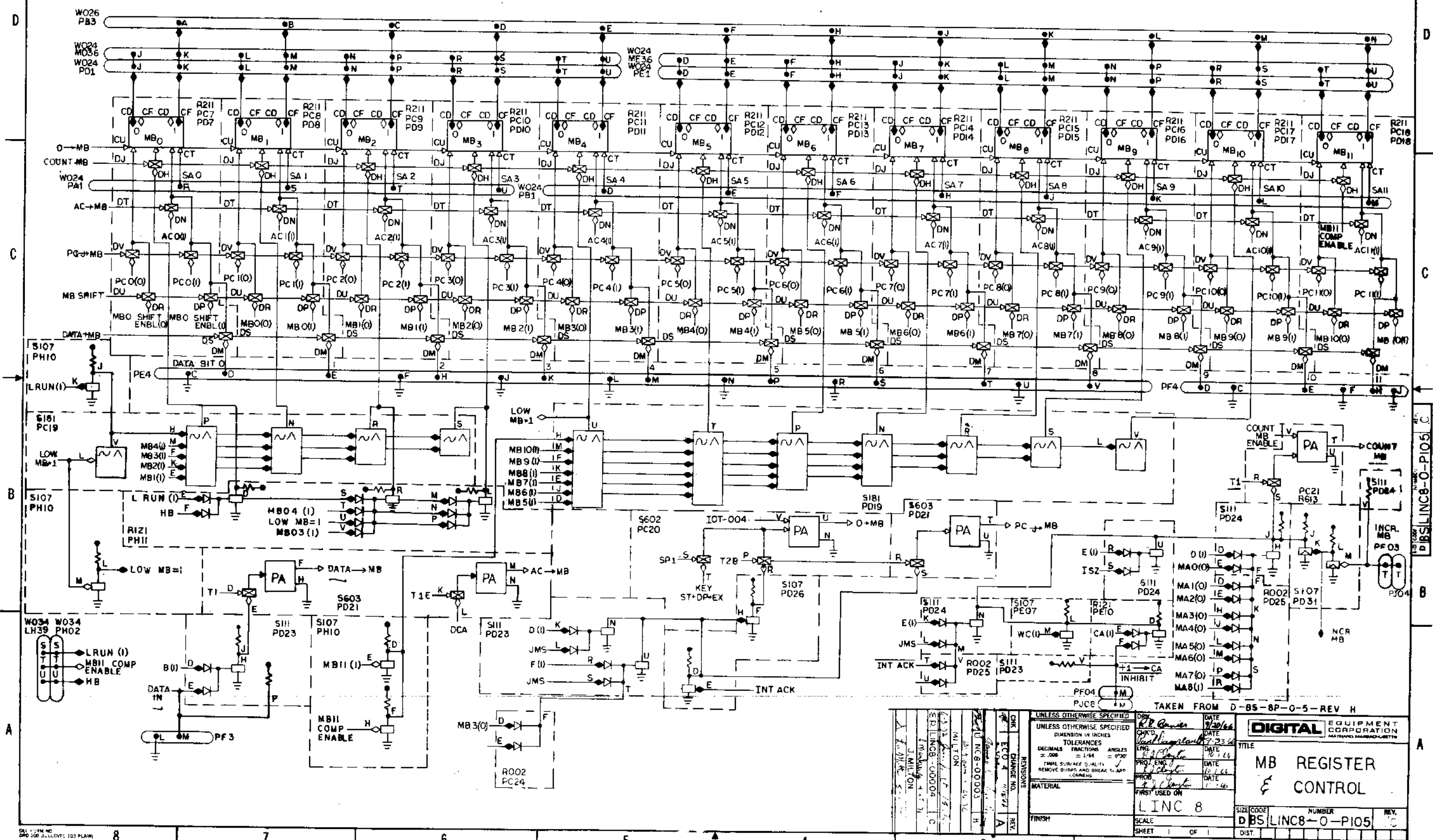
QTY.	DESCRIPTION	PART NO.	ITEM NO.
PARTS LIST			
<p>UNLESS OTHERWISE SPECIFIED:</p> <p>DRAWN: [Signature] DATE: 7-20-66</p> <p>CHECKED: [Signature] DATE: 7-20-66</p> <p>ENG: [Signature] DATE: 7-20-66</p> <p>PROJ. ENG.: [Signature] DATE: 7-20-66</p> <p>PROD.: [Signature] DATE: 7-20-66</p> <p>FIRST USED ON: LINC 8</p>			
<p>UNLESS OTHERWISE SPECIFIED:</p> <p>DIMENSION IN INCHES</p> <p>TOLERANCES</p> <p>DECIMALS FRACTIONS ANGLES</p> <p>±.005 ±.004 ±.030</p> <p>FINAL SURFACE QUALITY</p> <p>REMOVE BURRS AND BREAK SHARP CORNERS</p>		<p>DIGITAL EQUIPMENT CORPORATION</p> <p>MILITARY MANUFACTURING</p> <p>TITLE: PC & MA REGISTERS</p> <p>SIZE CODE: DBS LINC8-0-PI04</p> <p>NUMBER: A</p> <p>REV. A</p>	
MATERIAL:		SCALE: SHEET 2 OF 1	
FINISH:		DIST.:	

This drawing and specifications, herein, are the property of Digital Equipment Corporation and shall not be reproduced or copied in whole or in part as the basis for the manufacture or sale of items without written permission.



UNLESS OTHERWISE SPECIFIED DIMENSION IN INCHES TOLERANCES DECIMALS FRACTIONS ANGLES ±.005 ±.004 ±.030 FINAL SURFACE QUALITY REMOVE BURRS AND BREAK SHARP EDGES	DWN R.B. Gower DATE 7/20/66	DIGITAL EQUIPMENT CORPORATION MAYNARD, MASSACHUSETTS
	CHG DATE 10-7-66	
	ENGR DATE 10-7-66	
	PROJ ENGR DATE 10-7-66	
MATERIAL FINISH	PROD DATE 10-1-66	TITLE MB REGISTER & CONTROL
FIRST USED ON LINC 8	SCALE SHEET OF 1	SIZE/CODE D BS LINC8-0-PI05
DIST.	REV. A	TAKEN FROM D-BS-8P-0-5-REV H

This drawing and specifications, herein, are the property of Digital Equipment Corporation and shall not be reproduced, in whole or in part, or in any manner, without the written permission of Digital Equipment Corporation.



UNLESS OTHERWISE SPECIFIED		DATE	7/23/66
DIMENSION IN INCHES		DATE	7/23/66
TOLERANCES		DATE	7/23/66
DECIMALS FRACTIONS ANGLES		DATE	7/23/66
±.008 ±.004 = .002 = .001		DATE	7/23/66
FINAL SURFACE QUALITY REMOVE BURRS AND BREAK SHARP EDGES		DATE	7/23/66
MATERIAL		DATE	7/23/66
FINISH		DATE	7/23/66
FIRST USED ON		DATE	7/23/66
LINC 8		DATE	7/23/66
SCALE		DATE	7/23/66
SHEET 1 OF 1		DATE	7/23/66

CHK	DATE	7/23/66
ECO	DATE	7/23/66
REVISIONS	DATE	7/23/66
CHANGE NO.	DATE	7/23/66
REV	DATE	7/23/66

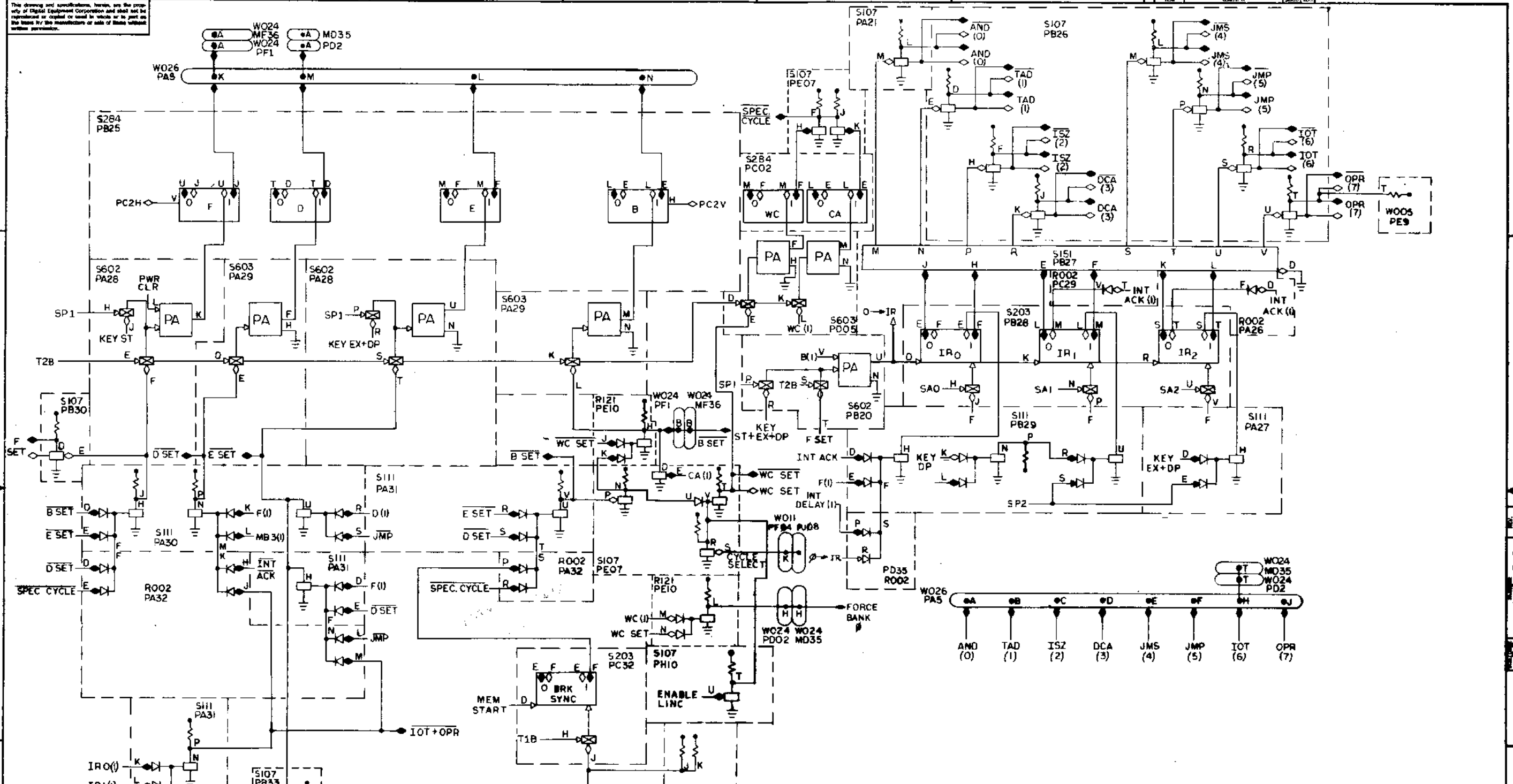
TAKEN FROM D-BS-8P-0-5-REV H

DIGITAL EQUIPMENT CORPORATION

MB REGISTER & CONTROL

SIZE CODE: LINC 8
 NUMBER: BSLINC8-0-PI05
 REV: 1

This drawing and specifications, herein, are the property of Digital Equipment Corporation and shall not be reproduced or used in whole or in part on the basis of the manufacture or sale of these without written permission.



REV	DATE	BY	CHK	DESCRIPTION
1	11/1/64	J. MILTON		REVISED FOR LINC 8
2	12/1/64	J. MILTON		REVISED FOR LINC 8
3	12/1/64	J. MILTON		REVISED FOR LINC 8
4	12/1/64	J. MILTON		REVISED FOR LINC 8
5	12/1/64	J. MILTON		REVISED FOR LINC 8
6	12/1/64	J. MILTON		REVISED FOR LINC 8
7	12/1/64	J. MILTON		REVISED FOR LINC 8
8	12/1/64	J. MILTON		REVISED FOR LINC 8

TAKEN FROM D-BS-BP-0-6-REV P

QTY.	DESCRIPTION	PART NO.	ITEM NO.
	PARTS LIST		
	UNLESS OTHERWISE SPECIFIED		
	DIMENSION IN INCHES		
	TOLERANCES		
	DECIMALS FRACTIONS ANGLES		
	± .005 ± 1/64 ± 0°30'		
	FINAL SURFACE QUALITY		
	REMOVE BURRS AND BREAK SHARP CORNERS		
	MATERIAL		
	FINISH		
	FIRST USED ON		
	LINC 8		
	SCALE		
	SHEET 7 OF 1		

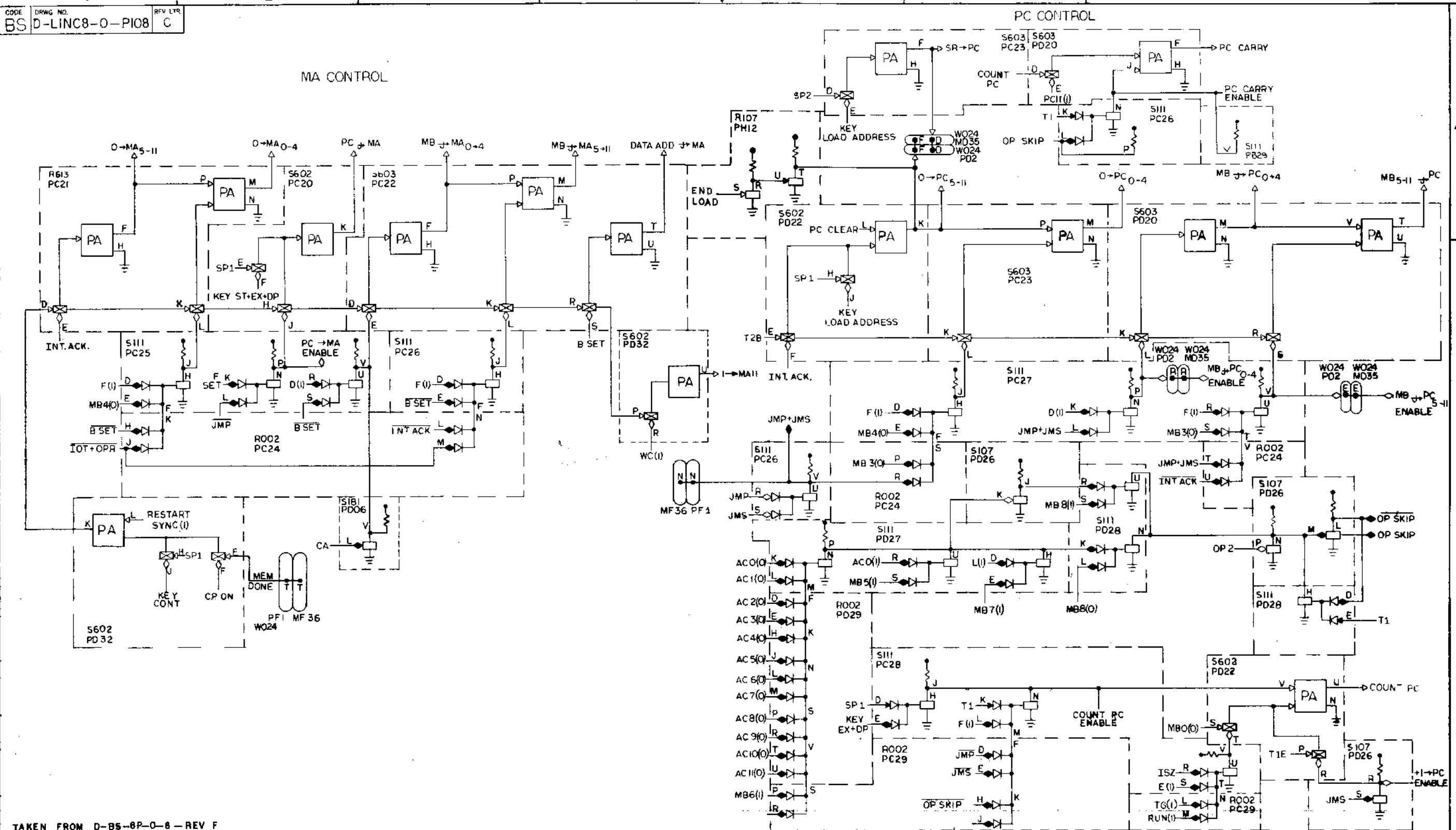
DATE	12-1-64	BY	J. MILTON
DATE	12-1-64	BY	J. MILTON
DATE	12-1-64	BY	J. MILTON
DATE	12-1-64	BY	J. MILTON
DATE	12-1-64	BY	J. MILTON
DATE	12-1-64	BY	J. MILTON
DATE	12-1-64	BY	J. MILTON
DATE	12-1-64	BY	J. MILTON

DIGITAL CORPORATION		EQUIPMENT	
MAJOR STATES		INSTRUCTION REG.	
SIZE/CODE	NUMBER	REV.	
D-BS-LINC8-0-PI06	C		

D-BS-LINC8-0-PI06 C

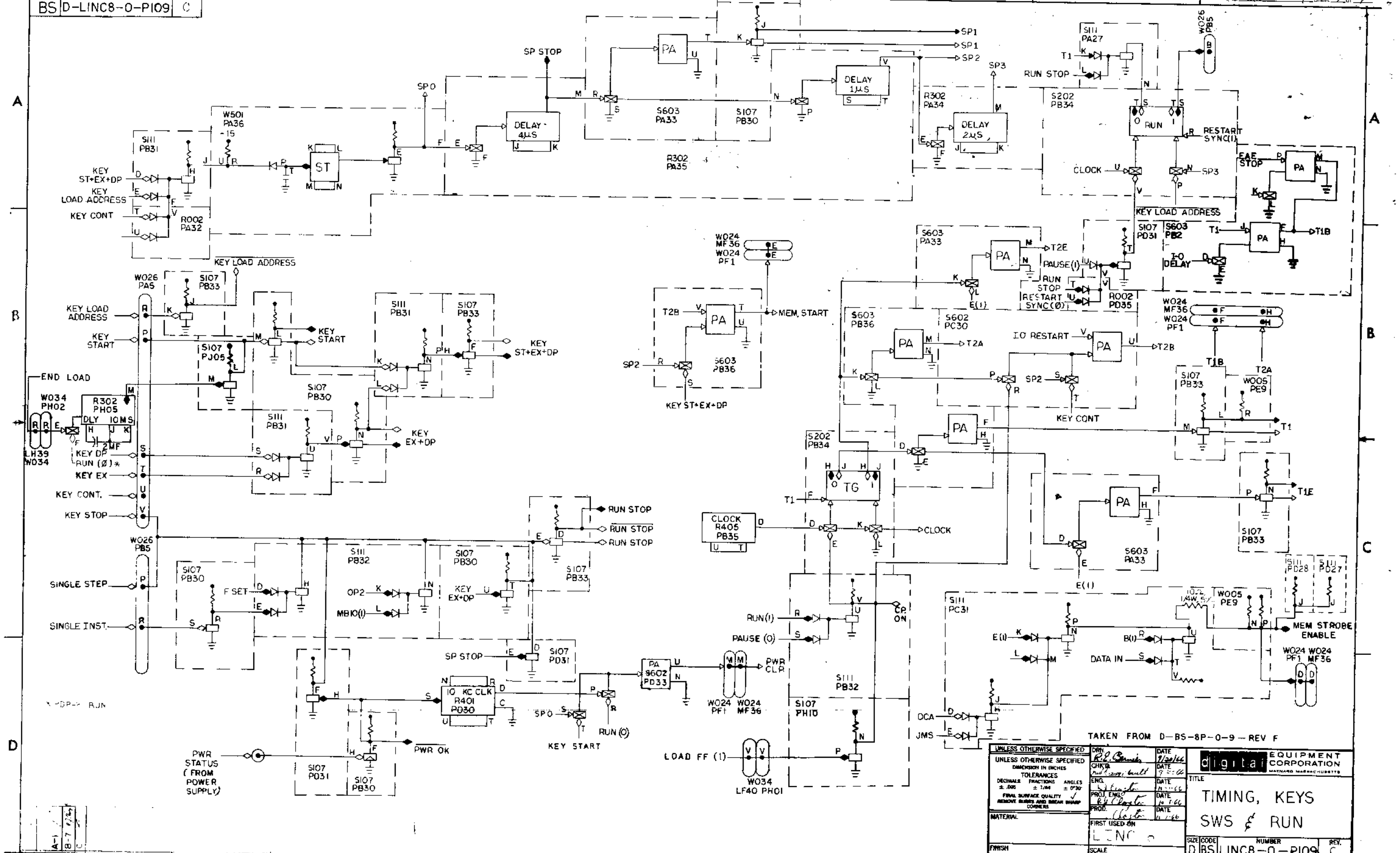
CODE BS
DRWG. NO. D-LINC8-0-PI08
REV. LTR. C

A
B
C
D



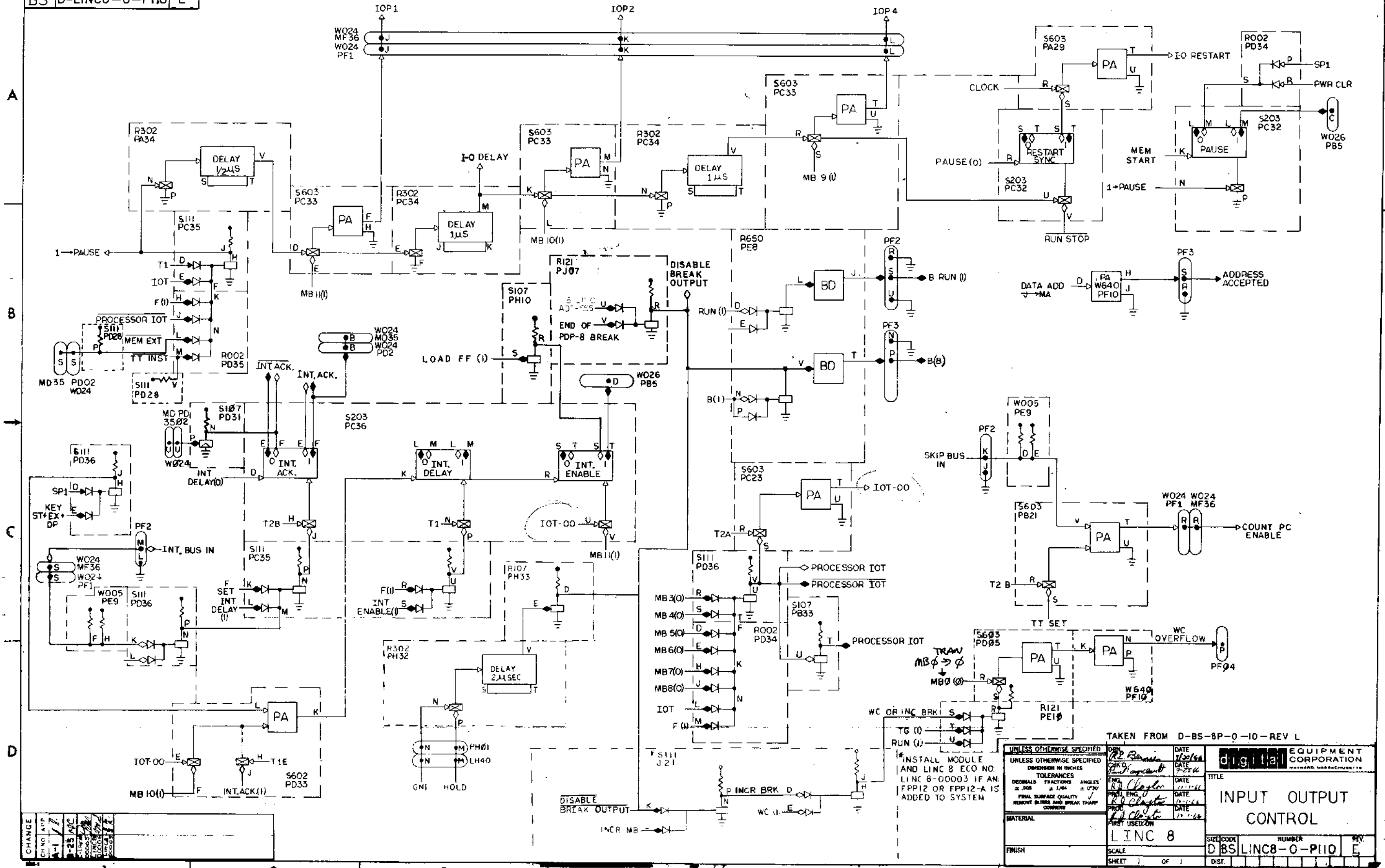
TAKEN FROM D-BS-8P-0-8-REV F

DRAWN R.P. [Signature]		DATE 7/20/66	 digital EQUIPMENT CORPORATION <small>NAYLOR, MASSACHUSETTS</small>	TITLE MA, PC CONTROL
CHECKED [Signature]		DATE 3/30/66		FOR
REV. NO. 25	ED. NO. 1	DATE 4/7/66	ASSY. NO.	CODE D-LINC8-0-PI08
REV. NO. 00004	ED. NO. 1	DATE 4/7/66	OF	REV. LTR. C



TAKEN FROM D-BS-8P-0-9-REV F

UNLESS OTHERWISE SPECIFIED DIMENSIONS IN INCHES TOLERANCES DECIMALS FRACTIONS ANGLES ±.005 ±.004 ±.030 FINAL SURFACE QUALITY REMOVE BURRS AND BEVEL SHARP CORNERS MATERIAL FINISH	DRY R.L. Collins 1/26/66	DATE 1/26/66	digital EQUIPMENT CORPORATION MATHEW HARRACHUBETS TITLE TIMING, KEYS SWS & RUN SIZE CODE D BS LINC8-0-PI09 NUMBER REVISION SHEET 7 OF 7
	CHK'D Paul J. Smith 9/25/66	DATE 9/25/66	
	ENGR R. J. G. [unclear] DATE 11/15/66	DATE 11/15/66	
	PROJ. ENGR R. J. G. [unclear] DATE 10/1/66	DATE 10/1/66	
	PROD. [unclear] DATE 11/15/66	DATE 11/15/66	

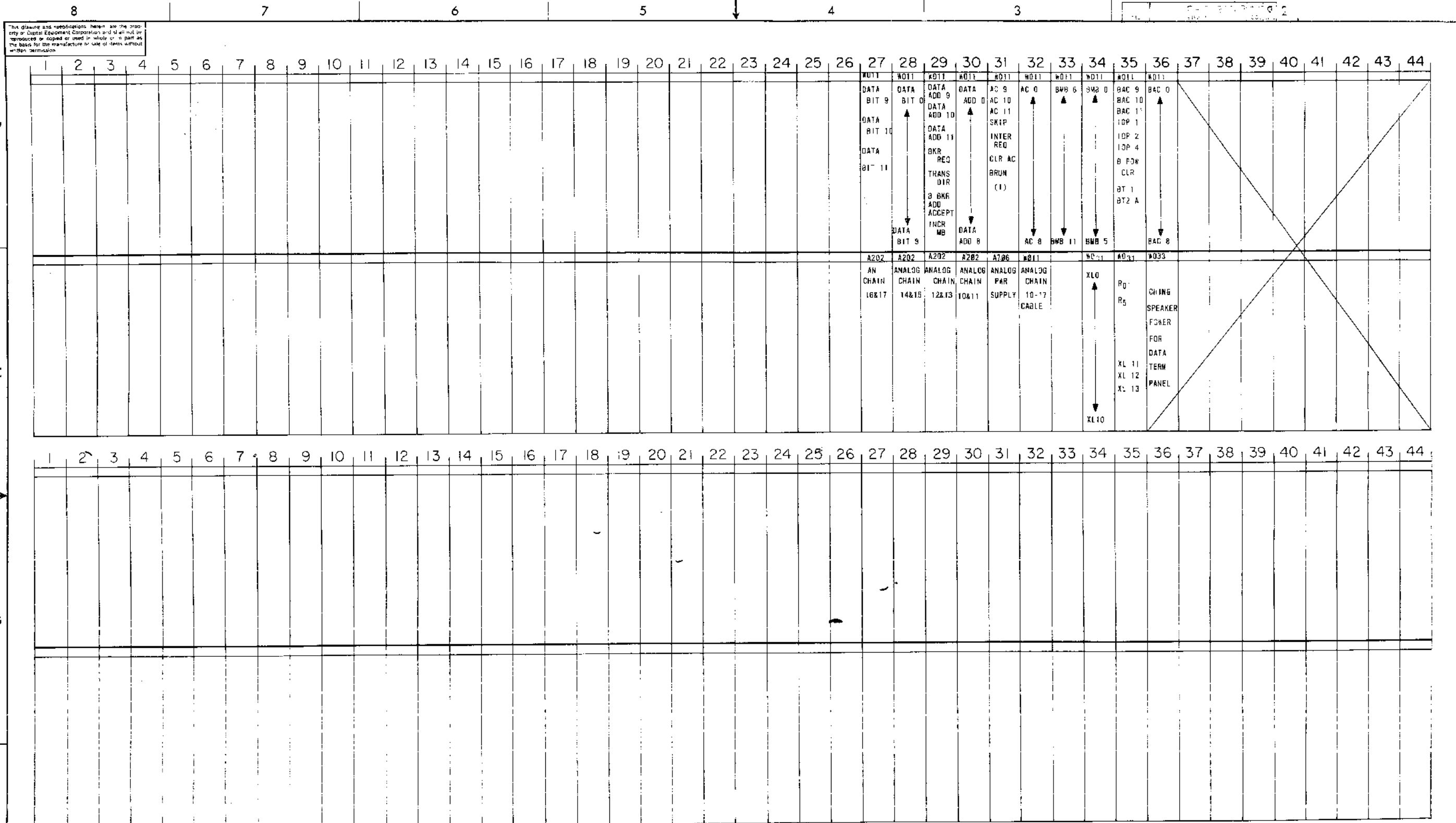


CHANGE	NO.	DATE	BY	REASON
1	1	11/25/64	R. J. Taylor	INITIAL DESIGN
2	1	12/1/64	R. J. Taylor	REVISED FOR PRODUCTION

INSTALL MODULE AND LINC 8 ECO NO. LINC 8-0003 IF AN FPP12 OR FPP12-A IS ADDED TO SYSTEM

TAKEN FROM D-BS-8P-0-10-REV L

UNLESS OTHERWISE SPECIFIED DIMENSIONS IN INCHES TOLERANCES DECIMALS FRACTIONS ANGLES ±.005 ±.004 ±.030 FINAL SURFACE QUALITY REMOVE BURRS AND BREAK SHARP CORNERS	DATE 11/25/64 DATE 12/1/64 DATE 12/1/64 DATE 12/1/64 DATE 12/1/64	digital EQUIPMENT CORPORATION WATERTOWN, MASSACHUSETTS
MATERIAL	FINISH	TITLE INPUT OUTPUT CONTROL
LINC 8	SCALE	SIZE CODE NUMBER REV D BS LINC8-0-PI10 E
SHEET 1 OF 1	DIST.	



REVISIONS CHANGE NO. CHK.	UNLESS OTHERWISE SPECIFIED	DRN. <i>W. Wall</i>	DATE <i>3-13-60</i>	digital EQUIPMENT CORPORATION WATUARD, MASSACHUSETTS
	UNLESS OTHERWISE SPECIFIED	CHK'D.	DATE	
	TOLERANCES	ENG.	DATE	
	DECIMALS FRACTIONS ANGLES	PROJ. ENG.	DATE	
DECIMALS = .005 FRACTIONS = 3/64 ANGLES = 0°30' FINAL SURFACE QUALITY REMOVE BURRS AND BREAK SHARP CORNERS	PROD.	DATE	TITLE DATA TERM PANEL UML	
MATERIAL	FINISH	FIRST USED ON DATA TERM PANE LIND. 3	SIZE CODE DMU LINC 0-3	NUMBER REV
SCALE	SHEET OF	DIST	1	2

This drawing and specifications, hereon, are the property of Digital Equipment Corporation, and shall not be reproduced or copied in whole or in part as the basis for the manufacture or sale of items without written permission.

8	7		6		5		4		3		2		1	
UNLESS OTHERWISE SPECIFIED DIMENSIONS IN INCHES TOLERANCES DECIMALS FRACTIONS ANGLES = .005 = 1/64 = 0°30'														
FINAL SURFACE QUALITY REMOVE BURRS AND BREAK SHARP CORNERS														

C													
B													
A													

8	7		6		5		4		3		2		1	
UNLESS OTHERWISE SPECIFIED DIMENSION IN INCHES TOLERANCES DECIMALS FRACTIONS ANGLES = .005 = 1/64 = 0°30'														
FINAL SURFACE QUALITY REMOVE BURRS AND BREAK SHARP CORNERS														

C													
B													
A													

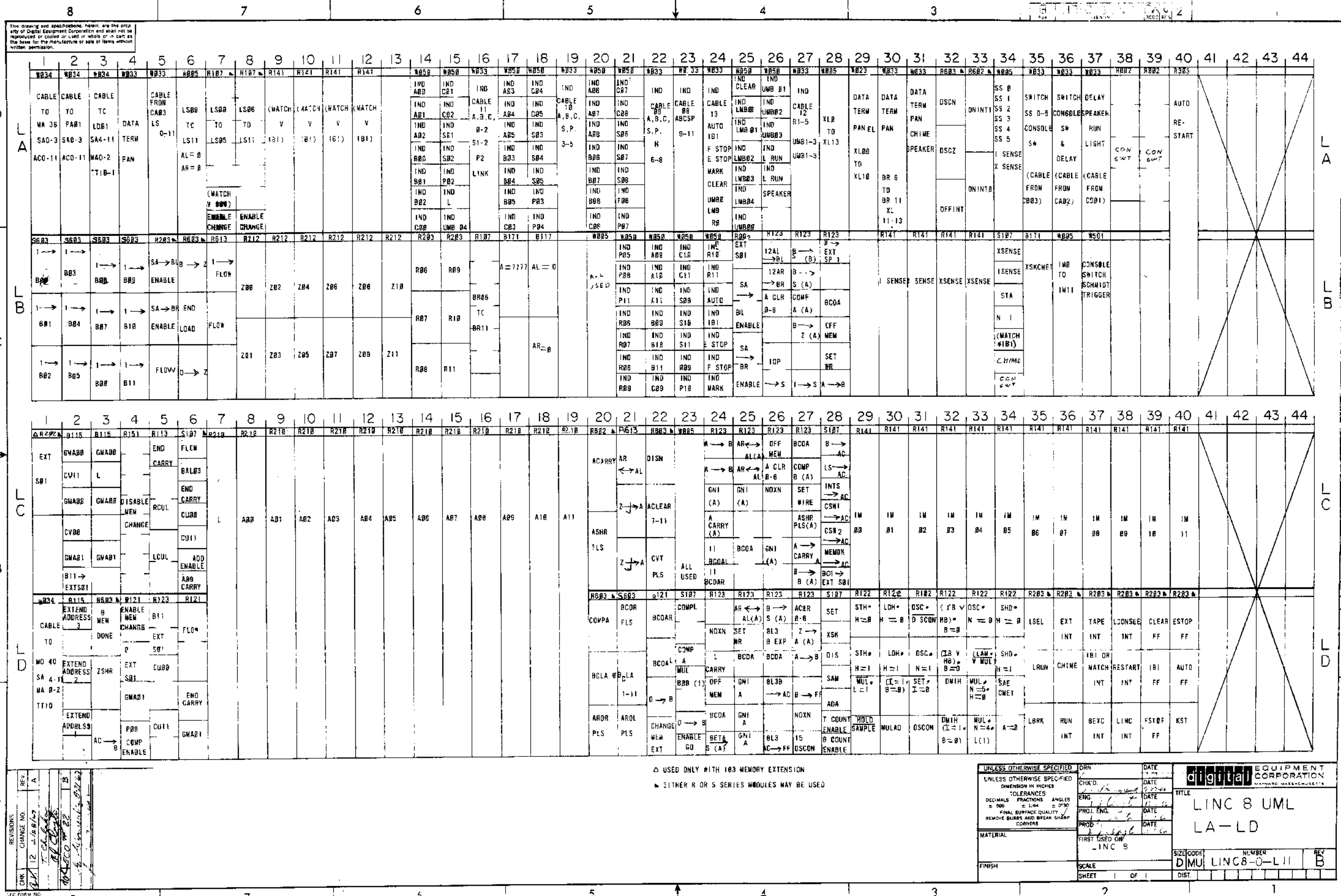
REVISIONS

CHK.	CHANGE NO.	REV.	DATE
JW	1	1	11-12-66
JW	2	2	1-11-67
JW	3	3	2-23-67
JW	4	4	3-28-67
JW	5	5	3-28-67
JW	6	6	3-28-67
JW	7	7	3-28-67
JW	8	8	3-28-67
JW	9	9	3-28-67
JW	10	10	3-28-67
JW	11	11	3-28-67
JW	12	12	3-28-67
JW	13	13	3-28-67
JW	14	14	3-28-67
JW	15	15	3-28-67
JW	16	16	3-28-67
JW	17	17	3-28-67
JW	18	18	3-28-67
JW	19	19	3-28-67
JW	20	20	3-28-67
JW	21	21	3-28-67
JW	22	22	3-28-67
JW	23	23	3-28-67
JW	24	24	3-28-67
JW	25	25	3-28-67
JW	26	26	3-28-67
JW	27	27	3-28-67
JW	28	28	3-28-67
JW	29	29	3-28-67
JW	30	30	3-28-67
JW	31	31	3-28-67
JW	32	32	3-28-67
JW	33	33	3-28-67
JW	34	34	3-28-67
JW	35	35	3-28-67
JW	36	36	3-28-67
JW	37	37	3-28-67
JW	38	38	3-28-67
JW	39	39	3-28-67
JW	40	40	3-28-67
JW	41	41	3-28-67
JW	42	42	3-28-67
JW	43	43	3-28-67
JW	44	44	3-28-67

▲ USED ONLY WITH 100 MEMORY EXTENSION CONTROL
 ▲ EITHER H OR S SERIES MODULES MAY BE USED

UNLESS OTHERWISE SPECIFIED DIMENSION IN INCHES TOLERANCES DECIMALS FRACTIONS ANGLES = .005 = 1/64 = 0°30'				FINAL SURFACE QUALITY REMOVE BURRS AND BREAK SHARP CORNERS			
MATERIAL		FINISH		SCALE		SHEET OF	
FIRST USED ON LINC 8				DATE 3-28-67			
UNLESS OTHERWISE SPECIFIED DIMENSION IN INCHES TOLERANCES DECIMALS FRACTIONS ANGLES = .005 = 1/64 = 0°30'				FINAL SURFACE QUALITY REMOVE BURRS AND BREAK SHARP CORNERS			
MATERIAL		FINISH		SCALE		SHEET OF	
FIRST USED ON LINC 8				DATE 3-28-67			

digital EQUIPMENT CORPORATION <small>MASSACHUSETTS</small>		TITLE LINC 8 UML LE-LJ	
SIZE CODE DMU LINC8-O-LIO	NUMBER H	REV. H	DIST.

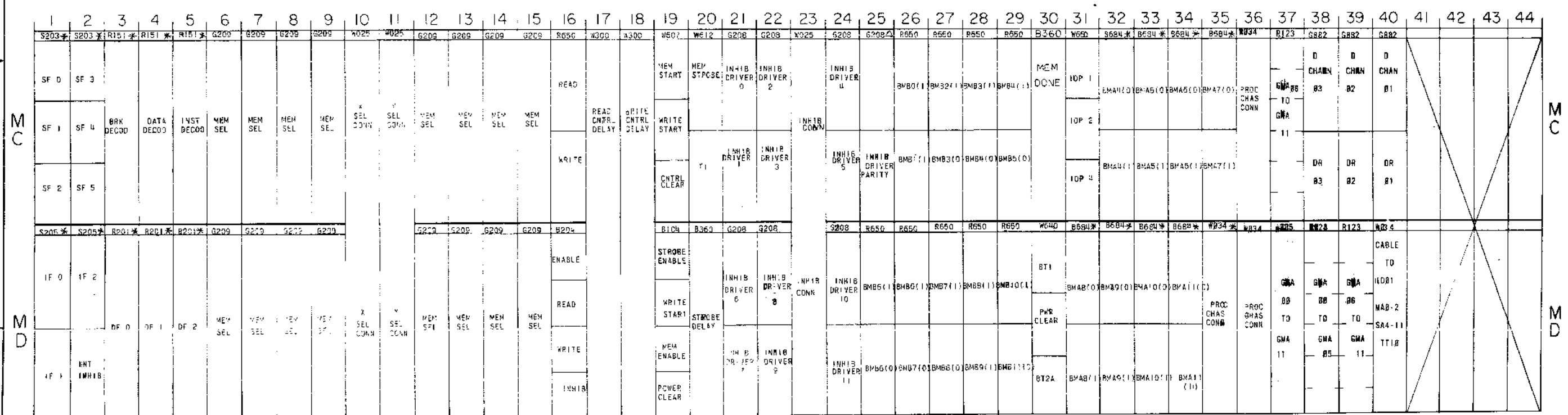
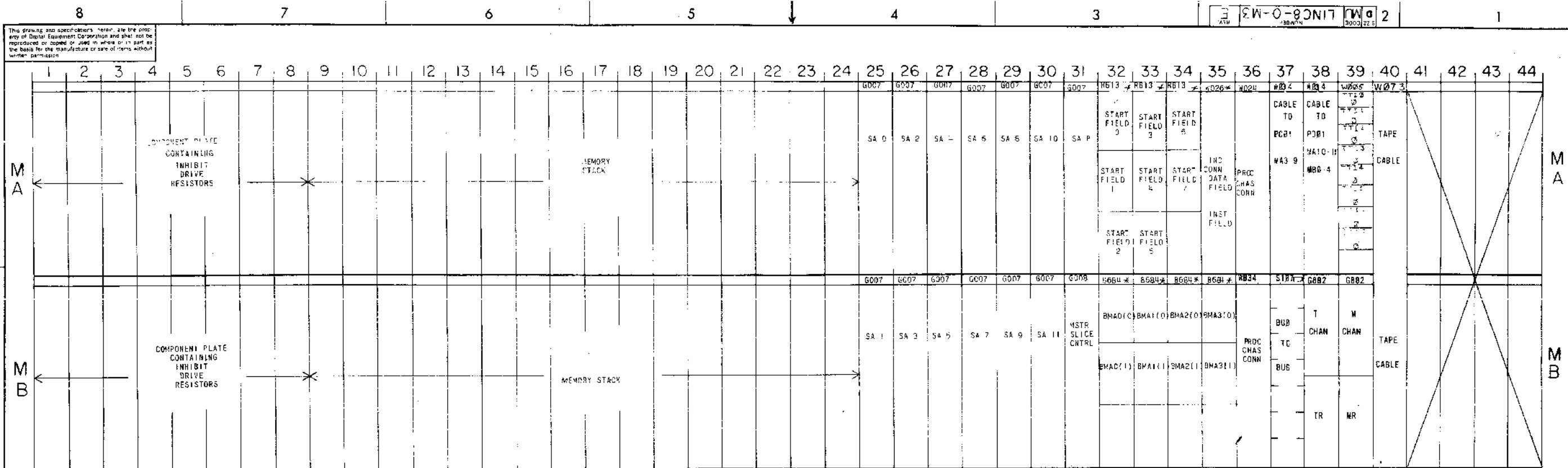


This drawing and specifications herein are the property of Digital Equipment Corporation and shall not be reproduced or copied or used in whole or in part as the basis for the manufacture or sale of items without written permission.

REV.	CHK	CHANGE NO.	DATE
1			
2			
3			
4			
5			
6			
7			
8			

Δ USED ONLY WITH 103 MEMORY EXTENSION
 ■ EITHER R OR S SERIES MODULES MAY BE USED

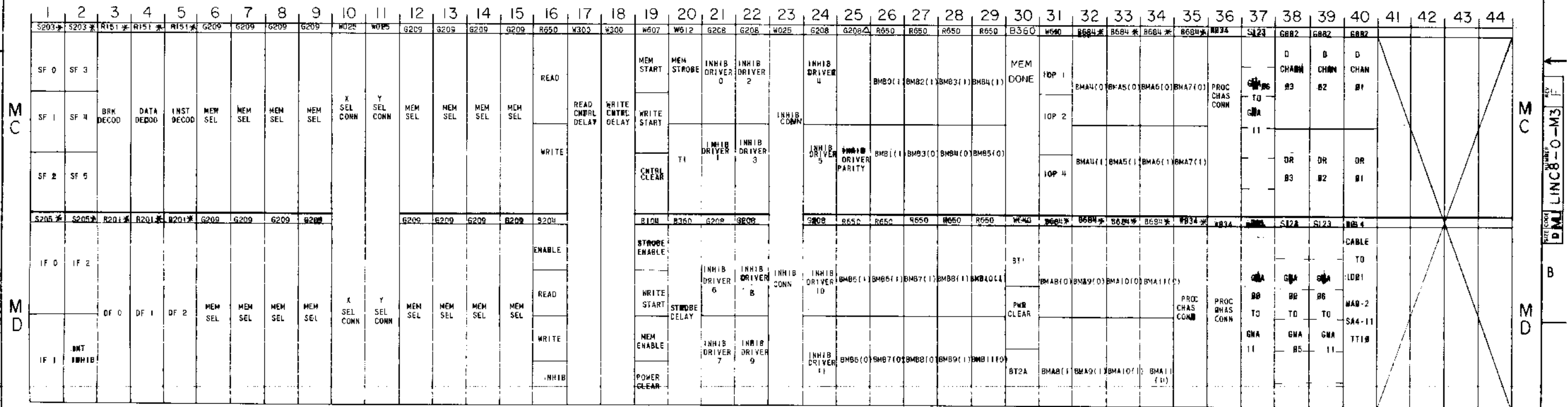
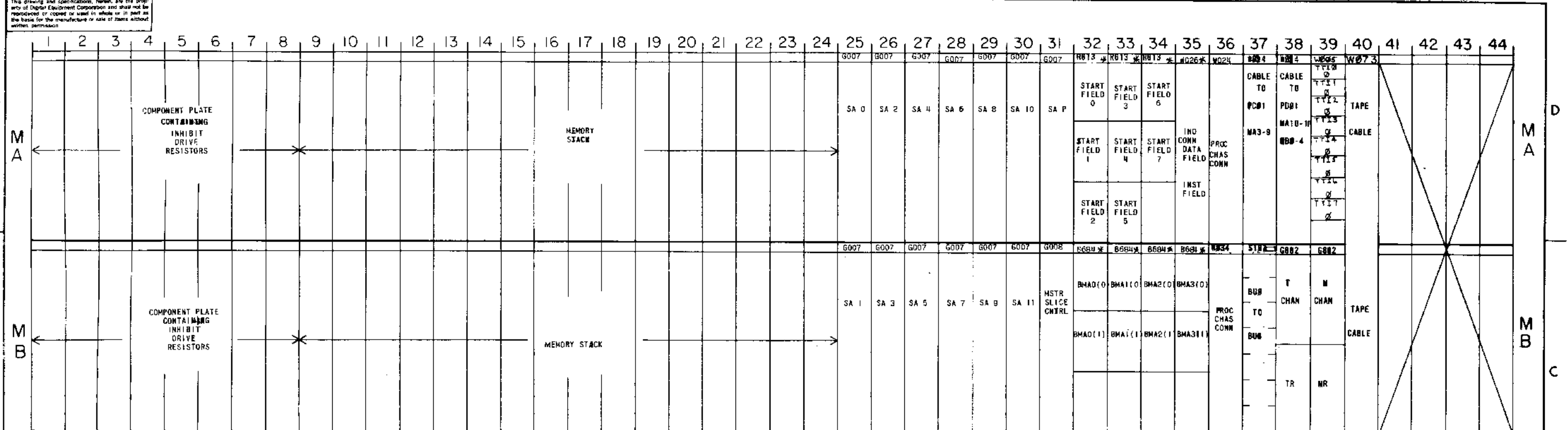
UNLESS OTHERWISE SPECIFIED		DATE	
UNLESS OTHERWISE SPECIFIED		DATE	
UNLESS OTHERWISE SPECIFIED		DATE	
TOLERANCES		DATE	TITLE LINC 8 UML LA-LD
DECIMALS FRACTIONS ANGLES		DATE	
MATERIAL		DATE	SIZE CODE DMU LINC8-0-LII
FINISH		DATE	
SCALE		DATE	NUMBER 1
SHEET		DATE	
OF		DATE	REV B
DIST.		DATE	



REV	DATE	BY	CHKD
1	11-16-67	J. SCANLON	
2	12-10-67	J. SCANLON	
3	1-10-68	J. SCANLON	
4	1-10-68	J. SCANLON	
5	1-10-68	J. SCANLON	
6	1-10-68	J. SCANLON	
7	1-10-68	J. SCANLON	
8	1-10-68	J. SCANLON	

* USED ONLY WITH 183 MEMORY EXTENSION CONTROL
 □ USED ONLY WITH ADDITIONAL LINC TAPE TRANSPORTS
 △ USED ONLY WITH 188 PARITY OPTION

UNLESS OTHERWISE SPECIFIED		DRN.	DATE
UNLESS OTHERWISE SPECIFIED		CHKD.	DATE
DIMENSION IN INCHES		ENG.	DATE
TOLERANCES		PROJ. ENG.	DATE
DECIMALS FRACTIONS ANGLES		PROD.	DATE
= .005 = 1/64 = 0°00'		FIRST USED ON	
FINAL SURFACE QUALITY		LINC 8	
REMOVE BURRS AND BREAK SHARP CORNERS		LINC 8	
MATERIAL	FINISH	SCALE	SHEET
			OF
TITLE		SIZE CODE	NUMBER
LINC 8 UML		DMU	LINC8-0-M3
MA-MD		DIST.	REV.
			E

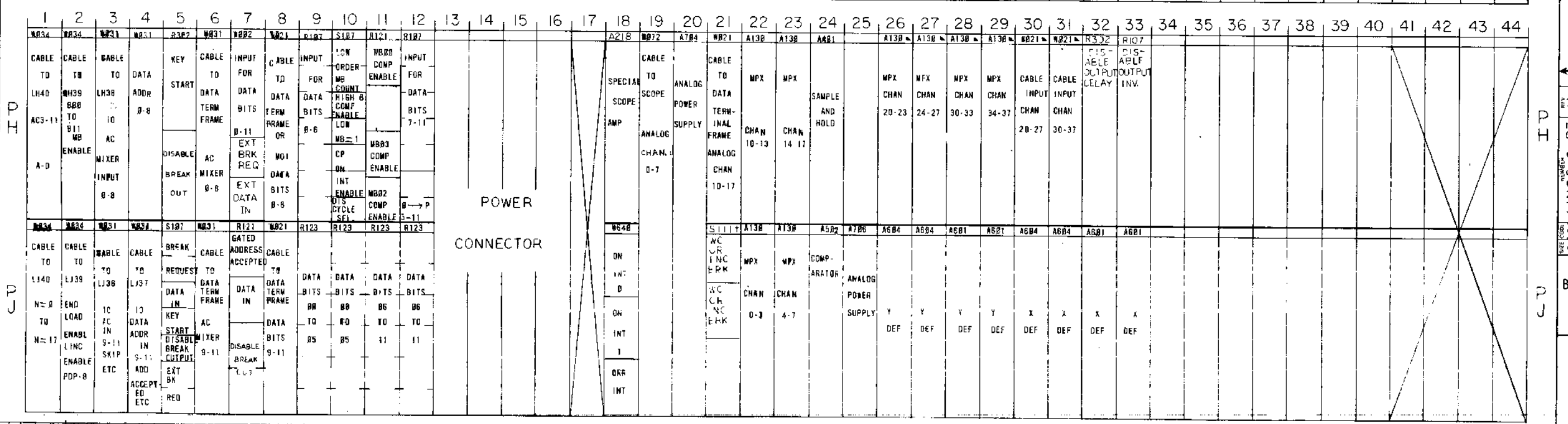
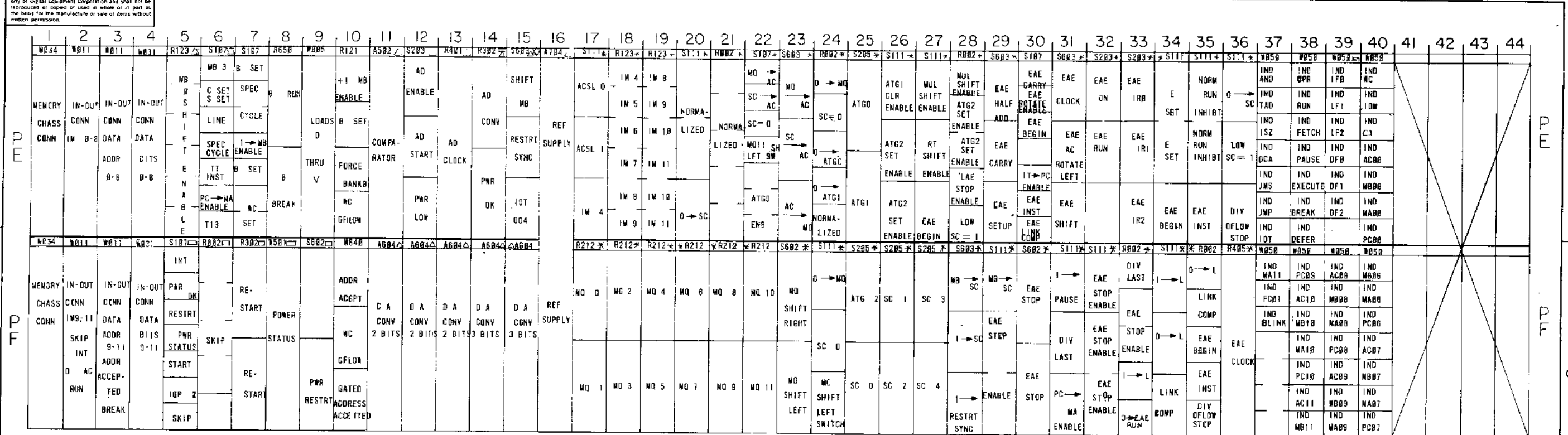


REV.	DATE	BY	CHKD.
A	1-16-67	J. MILTON	J. MILTON
B	1-16-67	J. MILTON	J. MILTON
C	1-16-67	J. MILTON	J. MILTON
D	1-16-67	J. MILTON	J. MILTON
E	1-16-67	J. MILTON	J. MILTON
F	1-16-67	J. MILTON	J. MILTON

* USED ONLY WITH 183 MEMORY EXTENSION CONTROL
 □ USED ONLY WITH ADDITIONAL LINC TAPE TRANSPORTS
 △ USED ONLY WITH 188 PARITY OPTION

UNLESS OTHERWISE SPECIFIED DIMENSION IN INCHES TOLERANCES DECIMALS FRACTIONS ANGLES ± .005 ± .004 ± .030		DATE	DATE
MATERIAL		DATE	DATE
FINISH		DATE	DATE
SCALE		DATE	DATE
SHEET 1 OF 1		DATE	DATE

digital EQUIPMENT CORPORATION
 TITLE: LINC 8 UML MA-MD
 NUMBER: DMU LINC 8-0-M3
 REV: F

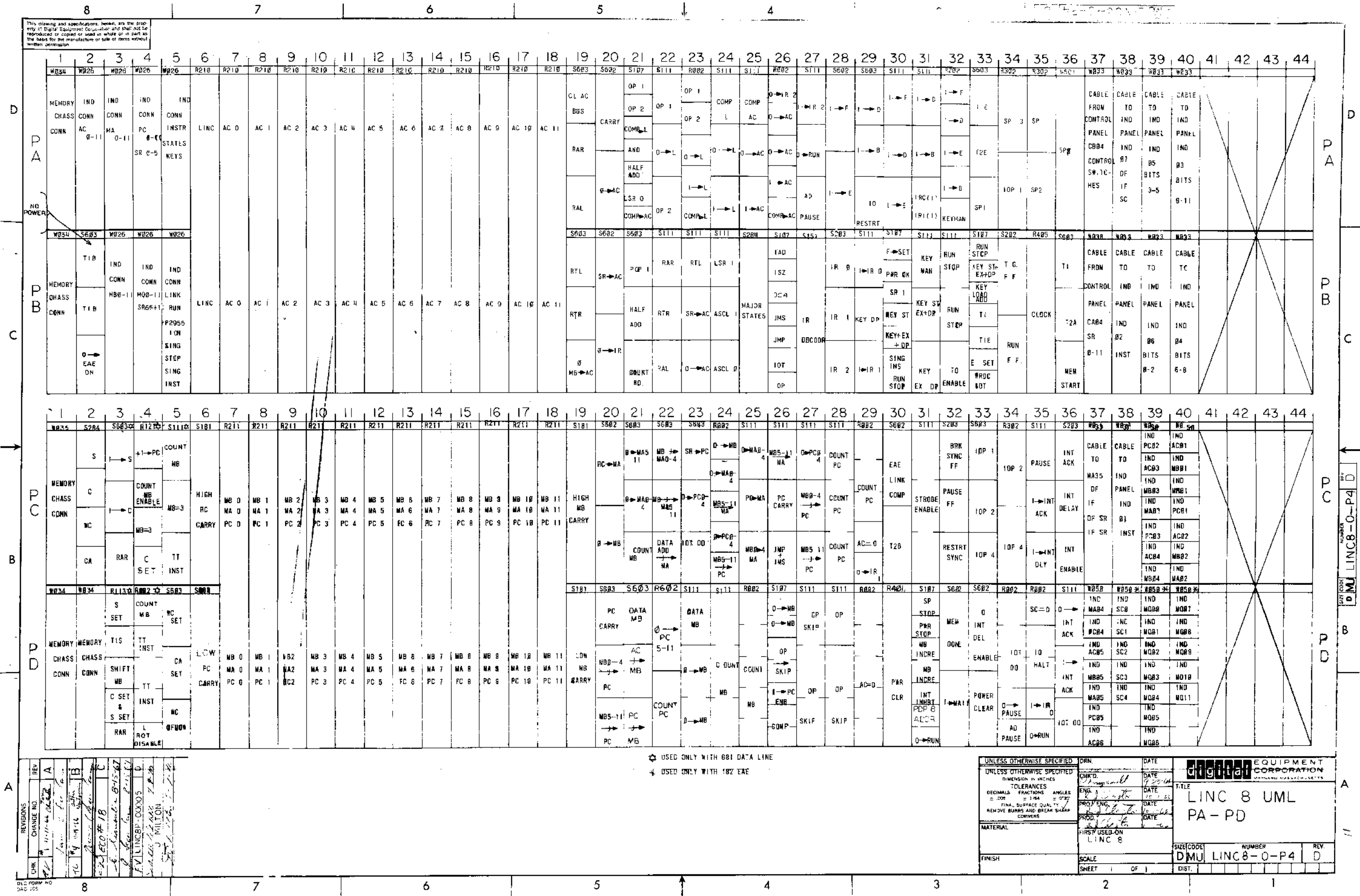


REV	DATE	BY	CHKD
1	11-14-66	W. J. GALE	W. J. GALE
2	1-18-67	W. J. GALE	W. J. GALE
3	2-1-67	W. J. GALE	W. J. GALE
4	2-1-67	W. J. GALE	W. J. GALE
5	2-1-67	W. J. GALE	W. J. GALE
6	2-1-67	W. J. GALE	W. J. GALE
7	2-1-67	W. J. GALE	W. J. GALE
8	2-1-67	W. J. GALE	W. J. GALE

- * USED ONLY WITH #182 EAE
- △ USED ONLY WITH #189 A-D CONVERTER
- USED ONLY WITH #189 POWER INTERRUPT
- ☆ USED ONLY WITH #81 DATA LINE INTERFACE
- ▲ USED ONLY WITH OPTIONAL LINC A-D MULTIPLEX CHANNELS
- ⊗ USED ONLY WITH #189 MEMORY EXTENSION CONTROL
- + USED ONLY WITH LINC 8 ECO NO. LINC8-00003

UNLESS OTHERWISE SPECIFIED		DRN	DATE
DIMENSION IN INCHES		CHKD	DATE
TOLERANCES		ENG	DATE
DECIMALS FRACTIONS ANGLES		PROJ. ENG.	DATE
= .009 ± .004 2 0/32		PROD.	DATE
FINAL SURFACE QUALITY		FIRST USED ON	
REMOVE BURRS AND BREAK SHARP CORNERS		LINC 8	
MATERIAL	TITLE		
FINISH	LINC 8 UML		
SCALE	PE-PJ		
SHEET	OF	SIZE CODE	NUMBER
1	1	DMU	LINC8-0-P3
		DIST.	REV.

This drawing and specifications herein are the property of Digital Equipment Corporation and shall not be reproduced or copied or used in whole or in part as the basis for the manufacture or sale of items without written permission.



⊕ USED ONLY WITH 681 DATA LINE
 ⊕ USED ONLY WITH 18Z EAE

REV	CHG	NO	DATE	BY
1	A	11-11-64	11-11-64	J. MILTON
2	B	11-11-64	11-11-64	J. MILTON
3	C	11-11-64	11-11-64	J. MILTON
4	D	11-11-64	11-11-64	J. MILTON

UNLESS OTHERWISE SPECIFIED		DRN	DATE
DIMENSION IN INCHES		CHK'D.	DATE
TOLERANCES		ENG.	DATE
DECIMALS	FRACTIONS	PROJ. ENG.	DATE
0.005	1/32	PROD.	DATE
FINAL SURFACE QUALITY		FIRST USED ON	
REMOVE BURRS AND BREAK SHARP CORNERS		LINC 8	
MATERIAL		SCALE	
FINISH		SHEET OF 1	
DIGITAL CORPORATION		TITLE	
LINC 8 UML		DMU LINC8-0-P4	
PA-PD		REV. D	

This drawing and specifications, herein, are the property of Digital Equipment Corporation and shall not be reproduced or copied or used in whole or in part as the basis for the manufacture or sale of items without written permission.

SIGNAL	SYMBOL	INTERF. CONN.	DATA TERM. PNL.	MODULE TERMINAL	MODULE TYPE
PROGRAMMED DATA TRANSFER INPUT SIGNALS					
AC 0	PE2N	DA32N	PA7E	W210	
1	E	E	8E		
2	H	H	9E		
3	K	K	10E		
4	M	M	11E		
5	P	P	12E		
6	S	S	13E		
7	T	T	14E		
8	PE2V	DA32V	15E		
9	PF2D	DA31D	16E		
10	E	E	17E		
AC 11	H	H	18E	R210	
CLEAR AC	P	P	PA19J	S605	
INTERLUPT REQUEST	M	M	PD36K	S111	
SKIP	K	DA31K	PB21V	S603	
PROGRAMMED DATA TRANSFER OUTPUT SIGNALS					
BAC 0(1)	ME34D	DA36D	ME26J	R650	
1(1)	E	E	ME26T		
2(1)	H	H	ME27J		
3(1)	K	K	ME27T		
4(1)	M	M	ME28J		
5(1)	P	P	ME28T		
6(1)	S	S	MF26J		
7(1)	T	T	MF26T		
8(1)	ME34V	DA36V	MF27J		
9(1)	MF34D	DA35D	MF27T		
10(1)	E	E	MF28J		
BAC 11(1)	H	H	MF28T	R650	
IDP 1	K	K	MC31H	W640	
2	M	M	MC31N	W640	
IDP 2	MF34P	DA35P	MC31U	W640	
QWB 3(0)	ME35K	DA34K	MC27J	R650	
3(1)	M	M	MC28J		
4(0)	P	P	MC28T		
4(1)	S	S	MC29J		
5(0)	T	T	MC29T		
5(1)	ME35V	DA34V	MD25J		
6(0)	MF35D	DA33D	MD25T		
6(1)	MF35E	E	MD26J		
7(0)	H	H	MD26T		
7(1)	K	K	MD27J		
8(0)	M	M	MD27T		
8(1)	MF35P	DA33P	MD28J	R650	
DATA BREAK TRANSFER INPUT SIGNALS					
DATA ADDRESS 0(1)	PH04D	DA30D	PC7R	R211	
1(1)	E	E	8R		
2(1)	H	H	9R		
3(1)	K	K	10R		
4(1)	M	M	11R		
5(1)	P	P	12R		
6(1)	S	S	13R		
7(1)	T	T	14R		
8(1)	PH04V	DA30V	15R		
9(1)	PJ04D	DA29D	16R		
10(1)	B	E	17R		
DATA ADDRESS 11(1)	PJ04H	DA29H	PC18R	R211	
DATA BIT 0(1)	PH08D	DA28D	PH09E	S107	
1(1)	E	E	H		
DATA BIT 2(1)	PH08H	DA28H	PH09K	S107	

SIGNAL	SYMBOL	INTERF. CONN.	DATA TERM. PNL.	MODULE TERMINAL	MODULE TYPE
DATA BIT 3(1)	PH08K	DA28K	PH09M	S107	
4(1)	V	M	P		
5(1)	P	P	S	PH09U	
6(1)	S	S			
7(1)	T	DA28T	PH12E		
8(1)	V	DA28V	H		
9(1)	PJ04D	DA27D	K		
10(1)	E	27E	M		
11(1)	PJ08H	27H	PH12P		
BREAK REQUEST	PJ04K	29K	PJ05H		
TRANSFER DIRECTION	04M	29M	PJ05K	S107	
INCREMENT W6	04T	29T	PJ05M	S107	
CYCLE SELECT	08K	27K	PE7S	S107	
INCREMENT CA	PJ08M	DA27M	PE7OF	RT21	
DATA BREAK TRANSFER OUTPUT SIGNALS					
SWB 0(1)	ME35D	DA34D	MC26J	R650	
1(1)	E	E	26T		
2(1)	H	H	27J		
3(1)	M	M	28J		
4(1)	S	S	MC29J		
5(1)	ME35V	DA34V	MD25J		
6(1)	MF35E	DA33E	MD26J		
7(1)	K	K	27J		
8(1)	P	P	28J		
9(1)	S	S	28T		
10(1)	T	T	29J		
11(1)	MF35V	DA33V	MD28T		
B BREAK	PJ04P	DA29P	PE8T	R650	
ADDRESS ACCEPTED	PJ04S	DA29S	PF10U	W640	
WC OVERFLOW	PJ08P	DA27P	FF10N	W640	
MISCELLANEOUS INPUT SIGNALS					
ADDR EXTENSION 1	ME30D	WE6K, MC3K	S107, S151		
2	E	WE6H, MC3E	S107, S151		
ADDR EXTENSION 3	ME30H	WE6E, MC3J	S107, S151		
MISCELLANEOUS OUTPUT SIGNALS					
B RUN (1)	PF2S	DA31S	PE0J	R650	
DATA FIELD 0(1)	ME30K		ME7L	S107	
1(1)	M		ME7N		
DATA FIELD 2(1)	ME30P		ME7R	S107	
BT 1	MF34S	DA35S	MD30H	W640	
BT 2A	T	T	U		
B POWER CLEAR	MF34V	DA35V	MD30N	W640	

DIRECTION IS INTO PDP-8 WHEN SIGNAL IS -3v. OUT OF PDP-8 WHEN GROUND POTENTIAL.
THE INCREMENT W6 INPUT TO THE PDP-8 MUST BE THE OUTPUT OF A GATING CIRCUIT THAT ENABLES GENERATION OF THE GROUND LEVEL SIGNAL ONLY WHEN THE B BREAK SIGNAL IS PRESENT.

QTY.	DESCRIPTION	PART NO.	ITEM NO.
PARTS LIST			
UNLESS OTHERWISE SPECIFIED:			
DBK	DATE	digital EQUIPMENT CORPORATION MAYFIELD, MASSACHUSETTS	
CIRCS.	DATE	TITLE	
ENG.	DATE	I/O LISTINGS	
PROJ. ENG.	DATE	FIRST USE/ON	
PROD.	DATE	SCALE	
MATERIAL		SHEET OF	
FINISH		DIST.	
SIZE CODE		NUMBER	
D IC LINCB-O-5		REV.	

REV.	CHANGE NO.

REV. 102

This drawing and specifications, herein, are the property of Digital Equipment Corporation and shall not be reproduced or copied or used in whole or in part, as the basis for the manufacture or sale of items without written permission.

CABLE NO	TYPE	FROM-TO	FUNCTION REMARKS
7405554-1-0	W034-W034	MA35-LA01	PDP-8 MEM-PROC I (1)
7405554-4-0	W034-W034	MA37-PC01	PDP-8 MEM-PROC III
7405554-4-0	W034-W034	MA38-PD01	PDP-8 MEM-PROC IV (3)
-5-0		NE36-PE01	LINC ADDRESS I (9)
-5-0		NF36-PF01	LINC ADDRESS II
-1-0		WD40-LD01	PDP-8 MEM-PROC II (1)
-1-0		WE40-LE01	PDP-8 MEM-PROC V
7405554-1-0	W034-W034	WF40-LF01	PDP-8 MEM-PROC VI
7405554-2-0	W034-W034	MH38-LH03	TAPE SYSTEM III
7405552-2-0	W031-W031	MH39-LH02	BWB 0-5
-1-0		MH40-LH01	BWB 6-11
-2-0		MJ37-LJ04	BAC 9-11 TOP 1,2,4, ETC.
7405552-2-0	W031-W031	MJ38-LJ03	BAC 0-8
7405554-1-0	W034-W034	MJ39-LJ02	TAPE SYSTEM II
7405554-1-0	W034-W034	MJ40-LJ01	TAPE SYSTEM I
7405555-1-0	W033-W036	MA35-PC37	OPTIONAL MEM EXT SW & IND (4&6)
7005187-0-0	W073	MA40 TAPE UNIT	TAPE TRANSPORT CABLE (10)
7405552-3-0	W031-W031	ME30-LA02	OPTIONAL EXT DAT ADD
7005186-0-0	W072	PH19 SCOPE	SCOPE DISPLAY
7405552-2-0	W031-W031	LH38-PH03	INPUT MIXER (AC 0-8)
-4-1-0	W034-W034	LH38-PH02	BD-11 & A 0-2
-4-1-0	W034-W034	LH40-PH01	A 3-11 & A-D SIGNAL
7405552-2-0	W031-W031	LJ38-PJ03	INPUT MIXER (AC 9-11) ETC.
7405554-1-0	W034-W034	LJ38-PJ02	MISC BREAK & A-D SIGNAL
-1-0		LJ40-PJ01	NDD-N17
-3-0		LA02-PAD1	PDP-8 MEM-PROC I
7405554-3-0	W034-W034	LA03-PAD1	PDP-8 MEM-PROC II
			DATA TERMINAL PANEL
7405556-7-0	W021-W011	MH33-DA35	PDP-8 IO BAC 9-11 TOP (5)
		MH34-DA36	PDP-8 IO BAC 0-8 (5)
		MH35-DA34	PDP-8 IO BWB 0-5 (5)
		MH36-DA33	PDP-8 IO BWB 6-11 (5)
		PH04-DA30	PDP-8 IO DATA ADD 0-8 (5)
		PJ04-DA28	PDP-8 IO DATA ADD 9-11 (5)
		PH06-DA32	PDP-8 IO INPUT MIXER 0-8 (5)
		PJ06-DA31	PDP-8 IO INPUT MIXER 9-11 (5)
		PH08-DA28	PDP-8 IO DATA BITS 0-8 (5)
		PJ08-DA27	PDP-8 IO DATA BITS 9-11 (5)
7405556-7-0	W021-W011	PH21-DB32	LINC ANALOG CHAIN 10-17 (5)
7405553-7-0	W033-W033	LA21-DB36	LINC CHIME POWER SPEAKER
7405556-7-0	W021-W011	LA29-DB34	LINC XL-0-10
7405556-7-0	W021-W011	LA30-DB35	LINC RELAYS XL 11-13
			INDICATOR CABLES
7405553-6-0	W033-W033	IND01-PC-38	PDP-8 RUN FETCH ETC. (1)
-5-0		02-PB-38	PDP-8 INSTRUCTIONS (1)
-4-0		03-PA40	PDP-8 BITS 9-11 (1)
-4-0		04-PB40	PDP-8 BITS 6-8 (1)
-3-0		05-PA39	PDP-8 BITS 3-5 (1)
-3-0		06-PB38	PDP-8 BITS 0-2 (1)
-2-0		07-PA38	PDP-8 INST-FIELD & DATA FIELD (1)
-2-0		08-LA23	LINC BITS 9-11 (1)
-2-0		09-LA22	6-8 (1)
-2-0		10-LA19	3-5 (1)
-2-0		11-LA16	LINC BITS 0-2 (1)
-2-0		12-LA27	LINC UNB, R LMB (1)
7405553-1-0	W033-W033	IND12-LA24	LINC AUTO IBI ETC (1)

CABLE NO	TYPE	FROM-TO	FUNCTION REMARKS
			CONTROL CONSOLE
7405553-1-0	W033-W033	CA02-LA36	LINC CONTROL SWITCHES (1)
-1-0		CB02-LA37	DELAY; AUDIO CHIME (1)
-1-0		CA03-LA05	LEFT SWITCH (1)
7405553-1-0	W033-W033	CB03-LA35	LINC SENSE SW & CONTROL SW (1)
7405555-2-0	W036-W033	CA04-PB37	PDP-8 RIGHT SWITCH (2)
7405555-2-0	W036-W033	CB04-PA37	PDP-8 CONTROL SWITCH (3)
			STANDARD IO CABLE TO PERIPHERAL
	W021	ME34	BAC 0-8
		MF34	BAC 9-11 TOP
		ME35	BWB 0-5
		MF35	BWB 6-11
		PE02	INPUT MIXER 0-8
		PF02	INPUT MIXER 9-11
		PH04	DATA ADD 0-8 (8)
		PJ04	DATA ADD 9-11 (8)
		PH08	DATA BITS 0-8 (8)
		PJ08	DATA BITS 9-11 (8)
7005423-0-0			TAPE UNIT TO TAPE UNIT LINC B TAPE EXTENSION CABLE (10)

M = MEMORY SECTION
 I = LINC SECTION
 P = PROCESSOR SECTION
 D = DATA TERM PANEL
 IND = INDICATORS
 C = CONTROL SWITCHES

NOTES:

- JUMPER PIN 'B'
- JUMPER PIN 'B' OF W033, JUMPER PIN 'B' & 'C' OF W036, 100 OHM PINS W-Y OF W036
- JUMPER PIN 'B' OF W033, JUMPER PIN 'B' & 'C' OF W036, 100 OHM ON PINS D-H,K & M-Y TO OHM ON PINS J & L OF W036
- DB64 JUMPER PINS A-N, 100 OHM RESISTORS PINS P-Y OF W036
JUMPER PINS A & B OF W033
- COAX CABLE
- OPTIONAL FOR EXTENDED MEMORY
- OPTIONAL FOR EAE
- ONLY ONE BREAK DEVICE IS ALLOWED UNLESS DMD1 (MULTIPLEXER) IS USED THEREFORE EITHER DATA TERM PANEL OR PERIPHERAL BREAK DEVICE MAY BE USED.
- 220 OHM RESISTORS IN MEMORY END OF CABLE 100 OHM RESISTORS IN PROCESSOR END OF CABLE.
- ONE CABLE ADDITIONAL FOR EACH ADDITIONAL DUAL TAPE UNIT.
- 100 OHM RESISTORS IN SERIES WITH PINS A AND B IN BOTH ENDS OF THE CABLE.

REV.	CHG	NO.	BY	DATE
1	A	1	ECO	11/29/66
2	A	2	ECO	12/15/67

ADDED D-IA-7005423
 -O-O EXTENSION CABLE
 AND NOTE 10
 [Handwritten signatures and initials]

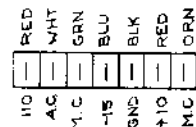
QTY.	DESCRIPTION	PART NO.	ITEM NO.
PARTS LIST			
UNLESS OTHERWISE SPECIFIED			
DRN.	DATE	DIGITAL EQUIPMENT CORPORATION BOSTON, MASSACHUSETTS	
CHK'D.	DATE		
ENG.	DATE	TITLE CABLE LIST	
PROL. ENG.	DATE		
PROD.	DATE	SIZE CODE NUMBER REV. D LINC 3 0 6 B	
FIRST USED ON	DATE		
MATERIAL		SCALE OF SHEET	
FINISH			

REV. B
D LINC 3 0 6

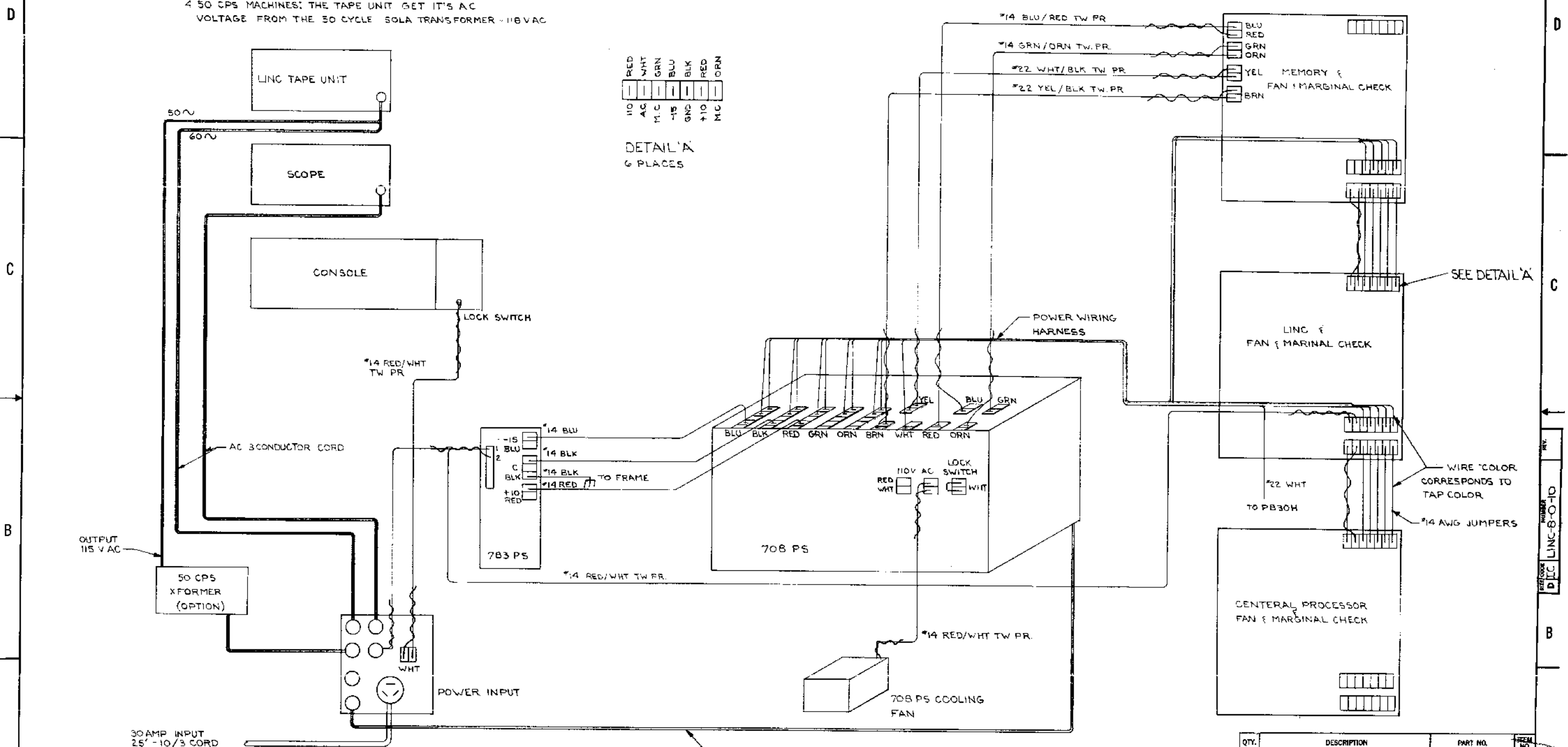
This drawing and specifications, herein, are the property of Digital Equipment Corporation and shall not be reproduced or copied or used in whole or in part as the basis for the manufacture or sale of parts without written permission.

NOTES:

1. LOCK SWITCH ON 708 PS HAS TO BE JUMPED.
2. RUN AC WIRES SEPARATE FROM D.C. WIRES
3. 50 CPS MACHINES: THE AC INPUT LOGIC FANS ARE CONNECTED TO TERMINALS 3 & 4 OF 783A PS.
4. 50 CPS MACHINES: THE TAPE UNIT GET IT'S AC VOLTAGE FROM THE 50 CYCLE SOLA TRANSFORMER - 115VAC



DETAIL 'A'
6 PLACES



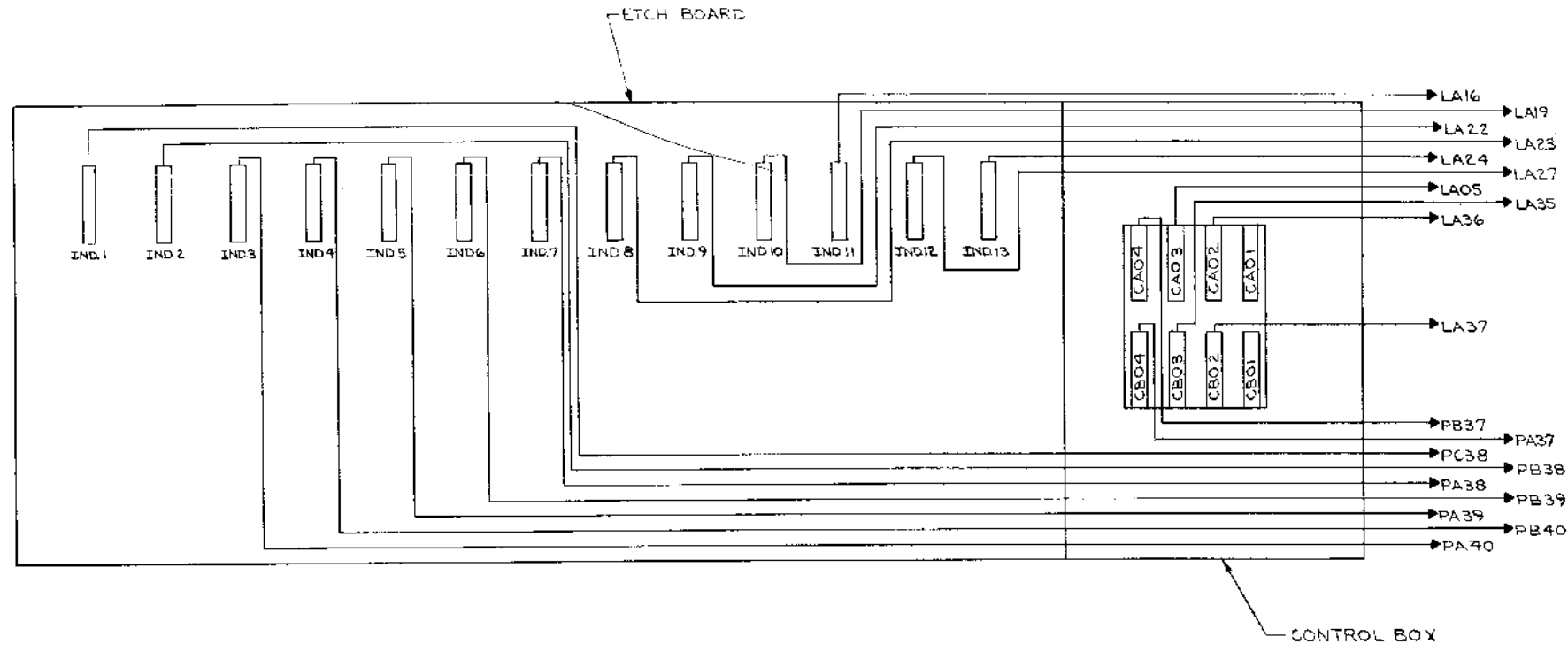
UNLESS OTHERWISE SPECIFIED	ORN	DATE	11-17-66
UNLESS OTHERWISE SPECIFIED	CHK'D	DATE	12-17-66
DIMENSION IN INCHES	ENG	DATE	1/11/67
TOLERANCES	PROJ. ENG.	DATE	2-1-67
DECIMALS FRACTIONS ANGLES	PROJ. ENG.	DATE	2-1-67
± .005 ± 1/64 ± 0°30'			
FINAL SURFACE QUALITY			
REMOVE BURRS AND BREAK SHARP CORNERS			
MATERIAL			
FINISH			

QTY.	DESCRIPTION	PART NO.	SERIAL NO.
PARTS LIST			
	digital EQUIPMENT CORPORATION WAYTOWN, MASSACHUSETTS		
	TITLE POWER WIRING AC & DC		
	SIZE CODE	NUMBER	REV.
	D-UA-LINC8-0-0	DIC LINC8-0-10	
SCALE NONE	SHEET 1 OF 1	DIST.	

REV.	
CHANGE NO.	
CHK	

This drawing and specifications, herein, are the property of Digital Equipment Corporation and shall not be reproduced or copied or used in whole or in part as the basis for the manufacture or sale of items without written permission.

NOTES:
1. CABLES ARE TO BE LAYED IN PATTERN SHOWN TO THE MINIMUM TAY PLAT



REAR VIEW OF CONTROL PANEL

QTY.	DESCRIPTION	PART NO.	ITEM NO.
PARTS LIST			
UNLESS OTHERWISE SPECIFIED		DRN. <i>2/2/62</i>	DATE <i>11-12-56</i>
UNLESS OTHERWISE SPECIFIED		CHK'D. <i>2/2/62</i>	DATE <i>11-12-56</i>
DIMENSION IN INCHES		ENG. <i>2/2/62</i>	DATE <i>11/17/62</i>
TOLERANCES		PRGJ. ENG. <i>2/2/62</i>	DATE <i>11/17/62</i>
DECIMALS FRACTIONS ANGLES		PROD. <i>2/2/62</i>	DATE <i>11/17/62</i>
= .005 = 1/64 = 0°00'			
FINAL SURFACE QUALITY			
REMOVE BURRS AND BREAK SHARP CORNERS			
MATERIAL	FIRST USED ON		
FINISH	D-VA LINC8-0-0		
SCALE NONE		SIZE CODE	NUMBER
SHEET 1 OF 1		DIST.	REV.

digital EQUIPMENT CORPORATION
MAYFORD, MASSACHUSETTS

TITLE
CABLE LAYOUT OF CONTROL PANEL

SIZE CODE **DIC LINC8-0-11** NUMBER REV.

REV.	CHANGE NO.	DESCRIPTION

FORM NO. 102

This drawing and specifications, herein, are the property of Digital Equipment Corporation and shall not be reproduced or copied or used in whole or in part as the basis for the manufacture or sale of items without written permission.

POWER CORD

#12-20 (J.W. MILLER) 20' 10/3 600V CORD WITH A 30 AMP HUBBEL TWIST LOCK MALE CONN ON ONE END AND A 30 AMP HUBBEL TWIST LOCK L FEMALE CONN ON OTHER END

708 P.S.

EXTENSION CORD #34-3FT (P.W.C.) MALE TO FEMALE CONN

783 P.S.

EXTENSION CORD #34-3FT (P.W.C.) REMOVE FEMALE CONN BY CUTTING TO 28 IN. LONG ADD SOLDERLESS CONN #36242 (AMP). (GND WIRE IS CUT OFF)

TAPE UNIT

(60 C.P.S.)

EXTENSION CORD 7 FT LONG (WABER) WITH MALE TO FEMALE CONNECTOR.

TAPE UNIT

(50 C.P.S.)

THIS CORD COMES FROM 50 CYCLES SOLA TRANSFORMER.

- (1) INPUT CORD: EXT CORD #34-3 FT. (P.W.C.) 28 IN. LG, MALE PLUG ON ONE END & 36242 (AMP) CONN ON OTHER END.
- (2) OUTPUT CORD: EXT. CORD 7 FT LONG (WABER) 44 IN LG FEMALE CONN ON ONE END & 36242 AMP CONN ON OTHER END.

REVISIONS	CHANGE NO.	REV.	DO NOT SCALE DRAWING		DRN.	DATE 12	DIGITAL EQUIPMENT CORPORATION MAYNARD, MASSACHUSETTS	TITLE AC CORDS	
			UNLESS OTHERWISE SPECIFIED DIMENSION IN INCHES	CHK'D.	16/66	DATE 12			
			TOLERANCES DECIMALS FRACTIONS ANGLES ± .005 ± 1/64 ± 0°30'	ENG.	11/17/62	DATE			
			FINAL SURFACE QUALITY ✓ REMOVE BURRS AND BREAK SHARP CORNERS	PROJ. ENGR.	2-7-61	DATE			
		MATERIAL //		PROD.	7-7-62	DATE	FIRST USED ON		
		FINISH //			A-PL-LINC8-0-0		SIZE CODE	NUMBER	REV.
					SCALE		A IC	LINC8-0-12	
					SHEET 1 OF 1		DIST.		

DEC FORM NO. DRA 100

REV. NUMBER 21-0-12
SIZE CODE A IC LINC8-0-12

PARTS LIST		DIGITAL EQUIPMENT CORPORATION MAYNARD, MASSACHUSETTS				REVISIONS		
PART NO.	DRWG. NO.	NO. REQD.	DESCRIPTION ITEM — STOCK SIZE — CAT. NO. — MFG.	DEC. STOCK NO.	CHANGE NO.	DATE	ENG.	
			LINC 8		A-6	12/66	RJC	
		1	G906 Linc Cap and Pwr Up		B-11	2-24 67	MC	
		3	B115 DIODE GATE		C-17	6-22-67		
		3	B171 DIODE GATE		D-18	8-15-67		
		2	R001 DIODE NETWORK		E-LINC8M-00001	1/26/68		
		7	R002 DIODE NETWORK		F-LINC8L-00001	12/29/67		
		6	R107 INVERTER		H-LINC8M-00003	1/10/68	DMA	
		6	R107 or S107 INVERTER					
		16	S107 INVERTER					
		1	R111 DIODE GATE					
		7	R113 DIODE GATE					
		15	R121 NAND GATE					
		6	R122 NOR GATE					
		21	R123 DIODE GATE					
		13	R151 BINARY TO OCTAL DECODER					
		2	R181 or S181 DC CARRY CHAIN					
MADE BY B. MARSHALL		DATE 10-12-66	TITLE MODULE PARTS LIST		SIZE A	CODE PL	NUMBER LINC8-0-8	REV. H
CHECKED P. DAIGNEAULT		DATE 10-26-66	FOR LINC 8		ASSY. NO.		SHEET 1 OF 18	
ENG. <i>J. Clayton</i>		DATE 10/31/66						

DEC FORM NO.
DRA 109

PARTS LIST		DIGITAL EQUIPMENT CORPORATION MAYNARD, MASSACHUSETTS				REVISIONS		
PART NO.	DRWG. NO.	NO. REQD.	DESCRIPTION ITEM — STOCK SIZE — CAT. NO. — MFG.	DEC. STOCK NO.	CHANGE NO.	DATE	ENG.	
			LINC 8					
		5	R202 OR S202 DUAL FLIP-FLOP					
		2	S202 DUAL FLIP-FLOP					
		2	R203 TRIPLE FLIP-FLOP					
		12	R203 or S203 TRIPLE FLIP-FLOP					
		2	S205 DUAL FLIP-FLOP					
		13	R210 PDP-8 ACCUMULATOR					
		12	R211 MA, MB, PC					
		6	R212 MQ REGISTER					
		1	R302 DELAY (ONE SHOT)					
		20	R141 AND/NOR GATE					
		1	R303 INTERGRATING ONE SHOT					
		1	B117 DIODE GATE					
		3	R601 PULSE AMPLIFIER					
		7	R602 or S602 PULSE AMPLIFIER					
MADE BY B. MARSHALL		DATE 10-12-66	TITLE MODULE PARTS LIST		SIZE A	CODE PL	NUMBER LINC8-0-8	REV. H
CHECKED P. DAIGNEAULT		DATE 10-26-66	FOR LINC 8		ASSY. NO.		SHEET 2 OF 18	
ENG.		DATE						

DEC FORM NO.
DRA 109

PARTS LIST		DIGITAL EQUIPMENT CORPORATION MAYNARD, MASSACHUSETTS				REVISIONS		
PART NO.	DRWG. NO.	NO. REQD.	DESCRIPTION ITEM — STOCK SIZE — CAT. NO. — MFG.		DEC. STOCK NO.	CHANGE NO.	DATE	ENG.
			LINC 8					
		15	R603 or S603 PULSE AMPLIFIER					
		4	S603 PULSE AMPLIFIER					
		1	R613					
		6	W005 CLAMPED LOAD					
		1	W023 CONNECTOR BOARD					
		5	W031 SIGNAL CABLE CONNECTOR					
		14	W033 CONNECTOR					
		14	W034 CONNECTOR					
		12	W050 INDICATOR DRIVER					
		1	W501 SCHMITT TRIGGER					
		1	S625 PULSE AMPLIFIER					
MADE BY B. MARSHALL		DATE 10-12-66	TITLE		SIZE A	CODE PL	NUMBER	REV. H
CHECKED P. DAIGNEAULT		DATE 10-26-66	MODULE PARTS LIST		ASSY. NO.		LINC8-0-8	
ENG.		DATE	FOR LINC 8				SHEET 3 OF 18	

DEC FORM NO.
DRA 109

PARTS LIST		DIGITAL EQUIPMENT CORPORATION MAYNARD, MASSACHUSETTS				REVISIONS		
PART NO.	DRWG. NO.	NO. REQD.	DESCRIPTION ITEM — STOCK SIZE — CAT. NO. — MFG.		DEC. STOCK NO.	CHANGE NO.	DATE	ENG.
			PDP 8 (MEMORY)					
		13	G007 SENSE AMPLIFIER					
		1	G008 MASTER SLICE CONTROL					
		6	G208 INHIBIT DRIVER					
		16	G209 MEMORY SELECTOR					
		1	R007 DIODE NETWORK					
		6	R220 8-BIT SHIFT REGISTER					
		10	R650 BUS DRIVER					
		1	R405 CRYSTAL CLOCK					
		2	S111 DIODE GATE					
		1	S107 INVERTER					
		6	S202 DUAL FLIP-FLOP					
		1	S203 TRIPLE FLIP-FLOP					
		1	S205 DUAL FLIP-FLOP					
		4	S603 PULSE AMPLIFIER					
		1	W050 IND DRIVER					
MADE BY B. Marshall		DATE 10-12-66	TITLE		SIZE A	CODE PL	NUMBER	REV. H
CHECKED P. Daigneault		DATE 10-26-66	MODULE PARTS LIST		ASSY. NO.		LINC 8-0-8	
ENG.		DATE	FOR LINC 8				SHEET 4 OF 18	

DEC FORM NO.
DRA 109

PARTS LIST		DIGITAL EQUIPMENT CORPORATION MAYNARD, MASSACHUSETTS				REVISIONS		
PART NO.	DRWG. NO.	NO. REQD.	DESCRIPTION ITEM — STOCK SIZE — CAT. NO. — MFG.	DEC. STOCK NO.	CHANGE NO.	DATE	ENG.	
			PDP 8 (MEMORY)					
		1	W070 TELETYPE CONNECTOR					
		2	W300 DELAY LINE					
		1	W607 PULSE AMPLIFIER					
		1	W640 PULSE AMPLIFIER					
		1	W650					
		2	B104 INVERTER					
		1	B204 QUARDUPLE FLIP-FLOP					
		2	B30 DELAY WITH PULSE AMPLIFIER					
		1	B602 PULSE AMPLIFIER					
		4	W011 SIGNAL CABLE CONNECTOR					
		3	W024 CONNECTOR BOARD					
		3	W025 CONNECTOR BOARD					
		3	W034 CONNECTOR					
MADE BY B. Marshall		DATE 10-12-66	TITLE MODULE PARTS LIST		SIZE A	CODE PL	NUMBER LINC 8-0-8	REV. H
CHECKED P. Daigneault		DATE 10-26-66	FOR LINC 8		ASSY. NO.		SHEET 5 OF 18	

DEC FORM NO.
DRA 109

PARTS LIST		DIGITAL EQUIPMENT CORPORATION MAYNARD, MASSACHUSETTS				REVISIONS		
PART NO.	DRWG. NO.	NO. REQD.	DESCRIPTION ITEM — STOCK SIZE — CAT. NO. — MFG.	DEC. STOCK NO.	CHANGE NO.	DATE	ENG.	
			PDP 8 (PROCESSOR)					
		13	R210 PDP-8 ACCUMULATOR					
		12	R211 MA, MB, PC					
		12	S603 PULSE AMPLIFIER					
		8	S602 PULSE AMPLIFIER					
		8	S107 INVERTER					
		23	S111 DIODE GATE					
		10	R002 DIODE NETWORK					
		3	S203 TRIPLE FLIP-FLOP					
		3	R302 DELAY (ONE SHOT)					
		1	S202 DJAL FLIP-FLOP					
		2	S284 QJADRAFLOP					
		1	S151 BINARY-TO-OCTAL DECODER					
		1	R405 CRYSTAL CLOCK					
		1	R410 CLOCK					
		4	S181 DC CARRY CHAIN					
MADE BY B. Marshall		DATE 10-12-66	TITLE MODULE PARTS LIST		SIZE A	CODE PL	NUMBER LINC 8-0-8	REV. H
CHECKED P. Daigneault		DATE 10-26-66	FOR LINC 8		ASSY. NO.		SHEET 6 OF 18	

DEC FORM NO.
DRA 109

PARTS LIST		DIGITAL EQUIPMENT CORPORATION MAYNARD, MASSACHUSETTS				REVISIONS		
PART NO.	DRWG. NO.	NO. REQD.	DESCRIPTION ITEM — STOCK SIZE — CAT. NO. — MFG.	DEC. STOCK NO.	CHANGE NO.	DATE	ENG.	
			PDP-8 (PROCESSOR)					
		1	W501 SCHMITT TRIGGER					
		1	R650 BUS DRIVER					
		1	W005 CLAMPED LOADS					
		1	R121 NAND GATE					
		1	W640 PULSE AMPLIFIER					
		7	W024 CONNECTOR BOARD					
		4	W011 SIGNAL CABLE CONNECTOR					
		2	W031 SIGNAL CABLE CONNECTOR					
		7	W026 CONNECTOR BOARD					
MADE BY B. Marshall		DATE 10-12-66	TITLE MODULE PARTS LIST		SIZE A	CODE PL	NUMBER LINC 8-0-8	REV. H
CHECKED P. Daigneault		DATE 10-26-66	FOR LINC 8		ASSY. NO.		SHEET 7 OF 18	
ENG.		DATE						

DEC FORM NO
ORA 109

PARTS LIST		DIGITAL EQUIPMENT CORPORATION MAYNARD, MASSACHUSETTS				REVISIONS		
PART NO.	DRWG. NO.	NO. REQD.	DESCRIPTION ITEM — STOCK SIZE — CAT. NO. — MFG.	DEC. STOCK NO.	CHANGE NO.	DATE	ENG.	
			LINC 8 (MEM)					
		3	R001 DIODE NETWORK					
		3	R002 DIODE NETWORK					
		2	R107 INVERTER					
		2	S107 INVERTER					
		1	R111 DIODE GATE					
		3	R111 or S111 DIODE GATE					
		1	R121 NAND GATE					
		1	R122 NOR GATE					
		8	R123 DIODE GATE					
		4	R201 FLIP-FLOP					
		3	R202 or S202 DUAL FLIP-FLOP					
		1	S203 or R203 TRIPLE FLIP-FLOP					
		1	R204 QUADRUPLE FLIP-FLOP					
		3	S205 DUAL FLIP-FLOP					
MADE BY B. MARSHALL		DATE 10-12-66	TITLE MODULE PARTS LIST		SIZE A	CODE PL	NUMBER LINC8-0-8	REV. H
CHECKED P. DAIGNEAULT		DATE 10-26-66	FOR LINC 8		ASSY. NO.		SHEET 8 OF 18	
ENG.		DATE						

DEC FORM NO
ORA 109

PARTS LIST		DIGITAL EQUIPMENT CORPORATION MAYNARD, MASSACHUSETTS				REVISIONS		
PART NO.	DRWG. NO.	NO. REQD.	DESCRIPTION ITEM — STOCK SIZE — CAT. NO. — MFG.		DEC. STOCK NO.	CHANGE NO.	DATE	ENG.
			LINC 8 (MEM)					
		2	R302 DELAY ONE SHOT					
		2	R303 INTERGATING ONE SHOT					
		1	R602 PULSE AMPLIFIER					
		2	R602 or S602 PULSE AMPLIFIER					
		2	R603 or S603 PULSE AMPLIFIER					
		1	R401 CLOCK					
		5	G885					
		3	W005 CLAMPED LOADS					
		4	W031 SIGNAL CABLE CONNECTOR					
		9	W034 CONNECTOR					
		1	W073 LINC8 SCOPE CABLE CONNECTOR					
		1	S202 DUAL FLIP FLOP					
MADE BY B. MARSHALL		DATE 10-12-66	TITLE MODULE PARTS LIST		SIZE A	CODE PL	NUMBER LINC8-0-8	REV. H
CHECKED P. DAIGNEAULT		DATE 10-26-66	FOR LINC 8		ASSY. NO.		SHEET 9 OF 18	
ENG.		DATE						

DEC FORM NO.
ORA 109

PARTS LIST		DIGITAL EQUIPMENT CORPORATION MAYNARD, MASSACHUSETTS				REVISIONS		
PART NO.	DRWG. NO.	NO. REQD.	DESCRIPTION ITEM — STOCK SIZE — CAT. NO. — MFG.		DEC. STOCK NO.	CHANGE NO.	DATE	ENG.
			LINC 8 (PROC)					
		1	W035 CONNECTOR					
		4	W034 CONNECTOR					
		6	W031 SIGNAL CABLE CONNECTOR					
		1	R302 DELAY ONE SHOT					
		1	W002 CLAMPED LOADS					
		3	W021 SIGNAL CABLE CONNECTOR					
		10	W033 CONNECTOR					
		10	W050 INDICATOR DRIVER					
		2	R107 INVERTER					
		2	S107 INVERTER					
		2	R121 NAND GATE					
		1	W500 HIGH IMPEDANCE FOLLOWER					
		1	W072 LINC8 SCOPE CABLE CONNECTOR					
		1	A704-10V PRECISION POWER SUPPLY					
		4	A130 MULTIPLEXER LINC-8					
MADE BY B. MARSHALL		DATE 10-12-66	TITLE MODULE PARTS LIST		SIZE A	CODE PL	NUMBER LINC8-0-8	REV. H
CHECKED P. DAIGNEAULT		DATE 10-26-66	FOR LINC 8		ASSY. NO.		SHEET 10 OF 18	
ENG.		DATE						

DEC FORM NO.
ORA 109

PARTS LIST		DIGITAL EQUIPMENT CORPORATION MAYNARD, MASSACHUSETTS				REVISIONS		
PART NO.	DRWG. NO.	NO. REQD.	DESCRIPTION ITEM — STOCK SIZE — CAT. NO. — MFG.	DEC. STOCK NO.	CHANGE NO.	DATE	ENG.	
			LINC 8 (PROC)					
		1	A401 SAMPLE FOUR HOLD					
		4	R123 DIODE GATE					
		1	W640 PULSE AMPLIFIER					
		1	A502 DIFFERENCE AMPLIFIER					
		1	A706 POWER SUPPLY FOR A202					
		4	A604 TWO BIT DAC					
		4	A601 THREE BIT DAC					
MADE BY B. MARSHALL		DATE 10-12-66	TITLE MODULE PARTS LIST		SIZE A	CODE PL	NUMBER LINC8-0-8	REV. H
CHECKED P. DAIGNEAULT		DATE 10-26-66	FOR LINC 8		ASSY. NO.		SHEET 11 OF 18	
ENG.		DATE						

DEC FORM NO
DRA 109

PARTS LIST		DIGITAL EQUIPMENT CORPORATION MAYNARD, MASSACHUSETTS				REVISIONS		
PART NO.	DRWG. NO.	NO. REQD.	DESCRIPTION ITEM — STOCK SIZE — CAT. NO. — MFG.	DEC. STOCK NO.	CHANGE NO.	DATE	ENG.	
			#182 EAE (OPTION)					
		12	S111 DIODE GATE					
		2	R123 DIODE GATE					
		5	R002 DIODE NETWORK					
		1	S107 INVERTER					
		3	S603 PULSE AMPLIFIER					
		4	S205 DUAL FLIP-FLOP					
		2	S203 TRIPLE FLIP-FLOP					
		1	R405 CRYSTAL CLOCK					
		2	S602 PULSE AMPLIFIER					
		6	R212 MQ REGISTER					
		3	W050 INDICATOR DRIVER					
		1	S613 PULSE AMPLIFIER					
MADE BY B. Marshall		DATE 10-12-66	TITLE MODULE PARTS LIST		SIZE A	CODE PL	NUMBER LINC 8-0-8	REV. H
CHECKED P. Daigneault		DATE 10-26-66	FOR LINC 8		ASSY. NO.		SHEET 12 OF 18	
ENG.		DATE						

DEC FORM NO
DRA 109

PARTS LIST		DIGITAL EQUIPMENT CORPORATION MAYNARD, MASSACHUSETTS				REVISIONS		
PART NO.	DRWG. NO.	NO. REQD.	DESCRIPTION ITEM — STOCK SIZE — CAT. NO. — MFG.	DEC. STOCK NO.	CHANGE NO.	DATE	ENG.	
			KR01 POWER INTERRUPT (OPTION)					
		2	R302 DELAY ONE SHOT					
		1	R002 DIODE NETWORK					
		1	S107 INVERTER					
		1	W501 SCHMITT TRIGGER					
		1	S602 PULSE AMPLIFIER					
			LINC A-D MUL CHANNEL (OPTION)					
		4	A130 MULTIPLEXER LINC-8					
		2	W021 SIGNAL CABLE CONNECTOR					
MADE BY E. Marshall		DATE 10-12-66	TITLE MODULE PARTS LIST		SIZE A	CODE PL	NUMBER LINC 8-0-8	REV. H
CHECKED P. Daigneault		DATE 10-26-66	FOR LINC 8		ASSY. NO.		SHEET 13 OF 18	
ENG.		DATE						

DEC FORM NO
DRA 109

PARTS LIST		DIGITAL EQUIPMENT CORPORATION MAYNARD, MASSACHUSETTS				REVISIONS		
PART NO.	DRWG. NO.	NO. REQD.	DESCRIPTION ITEM — STOCK SIZE — CAT. NO. — MFG.	DEC. STOCK NO.	CHANGE NO.	DATE	ENG.	
			I89 A-D- CONVERTER (OPTION)					
		1	A502 DIFFERENCE AMPLIFIER					
		5	A604 TWO BIT DAC					
		1	A704 -10V PRECISION POWER SUPPLY					
		1	S603 PULSE AMPLIFIER					
		1	S203 TRIPLE FLIP-FLOP					
		1	R401 CLOCK					
		1	R302 DELAY ONE SHOT					
			ADDITIONAL LINC TAPE TRANSPORT					
		1	R203 TRIPLE FLIP-FLOP					
		1	S151 BINARY TO OCTAL DECODER					
MADE BY Bob Marshall		DATE 10-12-66	TITLE MODULE PARTS LIST		SIZE A	CODE PL	NUMBER LINC 8-0-8	REV. H
CHECKED P. Daigneault		DATE 10-26-66	FOR LINC 8		ASSY. NO.		SHEET 14 OF 18	
ENG.		DATE						

DEC FORM NO
DRA 109

PARTS LIST		DIGITAL EQUIPMENT CORPORATION MAYNARD, MASSACHUSETTS				REVISIONS		
PART NO.	DRWG. NO.	NO. REQD.	DESCRIPTION ITEM — STOCK SIZE — CAT. NO. — MFG.		DEC. STOCK NO.	CHANGE NO.	DATE	ENG.
			681 DATE LINE (OPTION)					
		2	S603 PULSE AMPLIFIER					
		1	S111 DIODE GATE					
		1	R002 DIODE NETWORK					
		1	R113 DIODE GATE					
		1	R121 NAND GATE					
		1	R123 DIODE GATE					
		1	S107 INVERTER					
MADE BY B. Marshall		DATE 10-12-66	TITLE MODULE PARTS LIST		SIZE A	CODE PL	NUMBER LINC 8-0-8	REV. H
CHECKED P. Daigneault		DATE 10-26-66	FOR LINC 8		ASSY. NO.		SHEET 15 OF 18	
ENG.		DATE						

DEC FORM NO.

PARTS LIST		DIGITAL EQUIPMENT CORPORATION MAYNARD, MASSACHUSETTS				REVISIONS		
PART NO.	DRWG. NO.	NO. REQD.	DESCRIPTION ITEM — STOCK SIZE — CAT. NO. — MFG.		DEC. STOCK NO.	CHANGE NO.	DATE	ENG.
			186 PARITY (OPTION)					
		1	G208 INHIBIT DRIVER					
		1	R002 DIODE NETWORK					
		1	S111 DIODE GATE					
		6	B130 THREE BIT PARITY CIRCUIT					
		1	B360 DELAY WITH PULSE AMPLIFIER					
		1	B104 INVERTER					
		1	S603 PULSE AMPLIFIER					
		1	S202 DUAL FLIP-FLOP					
MADE BY B. Marshall		DATE 10-12-66	TITLE MODULE PARTS LIST		SIZE A	CODE PL	NUMBER LINC 8-0-8	REV. H
CHECKED P. Daigneault		DATE 10-26-66	FOR LINC 8		ASSY. NO.		SHEET 16 OF 18	
ENG.		DATE						

DEC FORM NO.
DRA 109

PARTS LIST		DIGITAL EQUIPMENT CORPORATION MAYNARD, MASSACHUSETTS				REVISIONS		
PART NO.	DRWG. NO.	NO. REQD.	DESCRIPTION ITEM — STOCK SIZE — CAT. NO. — MFG.	DEC. STOCK NO.	CHANGE NO.	DATE	ENG.	
			183 MEMORY EXTENSION CONTROL					
		1	W050 INDICATOR DRIVER					
		3	R613 PULSE AMPLIFIER					
		3	R202-S202 DUAL FLIP-FLOP					
		1	R203-S203 TRIPLE FLIP-FLOP					
		1	B115 DIODE GATE					
		6	R201 FLIP-FLOP					
		2	R002 DIODE NETWORK					
		2	S107 INVERTER					
		3	S111 DIODE GATE					
		2	S603 PULSE AMPLIFIER					
		2	R123 DIODE GATE					
		1	W640 PULSE AMPLIFIER					
		12	B684 BUS DRIVER					
		2	S203 TRIPLE FLIP-FLOP					
		3	S151 BINARY TO OCTAL DECODER					
MADE BY B. Marshall		DATE 10-12-66	TITLE MODULE PARTS LIST		SIZE A	CODE PL	NUMBER LINC 8-0-8	REV. H
CHECKED P. Daigneault		DATE 10-26-66	FOR LINC 8		ASSY. NO.		SHEET 17 OF 18	
ENG.		DATE						

DEC FORM NO.
ORA 109

PARTS LIST		DIGITAL EQUIPMENT CORPORATION MAYNARD, MASSACHUSETTS				REVISIONS		
PART NO.	DRWG. NO.	NO. REQD.	DESCRIPTION ITEM — STOCK SIZE — CAT. NO. — MFG.	DEC. STOCK NO.	CHANGE NO.	DATE	ENG.	
		2	S205 DUAL FLIP FLOP					
			183 MEMORY EXTENSION CONTROL					
		1	W034 CONNECTOR					
		7	W011 SIGNAL CABLE CONNECTOR					
		1	W026 CONNECTOR BOARD					
MADE BY B. Marshall		DATE 10-12-66	TITLE MODULE PARTS LIST		SIZE A	CODE PL	NUMBER LINC 8-0-8	REV. H
CHECKED P. Daigneault		DATE 10-26-66	FOR LINC 8		ASSY. NO.		SHEET 18 OF 18	
ENG.		DATE						

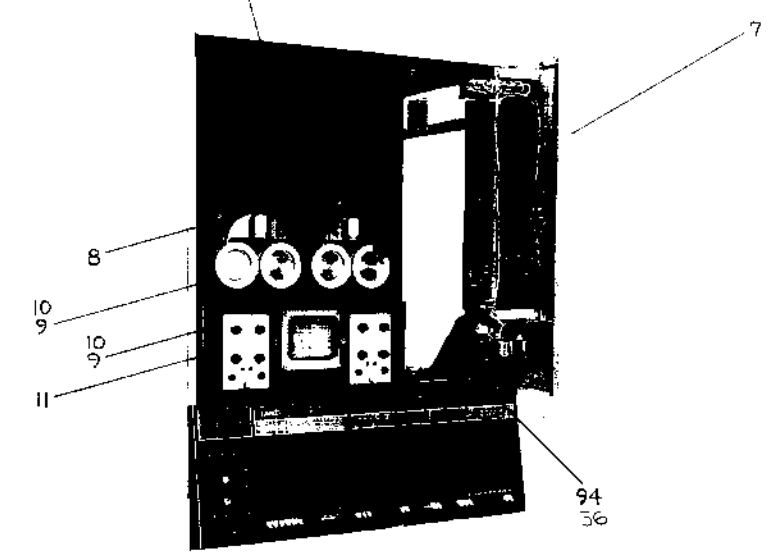
DEC FORM NO.
ORA 109

The drawing and specifications herein are the property of Digital Equipment Corporation and shall not be reproduced or copied or used in whole or in part as the basis for the manufacture or sale of parts without written permission.

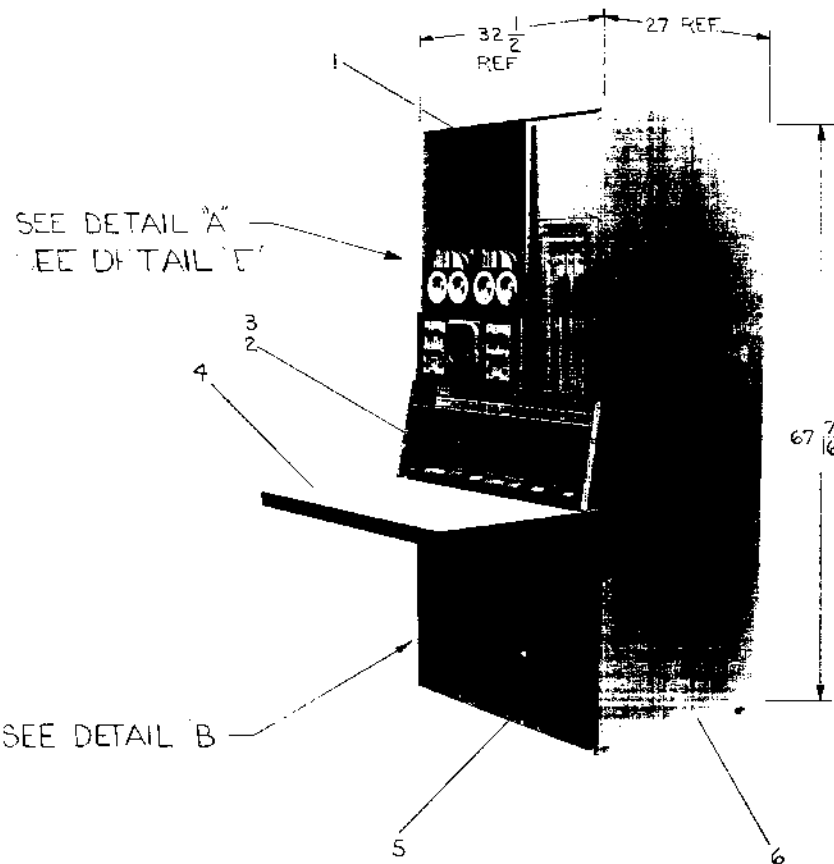
NOTES:

- 1 FOR MTG OF SHIPPING BRKT REFER TO (D-AD-7605130-0-0) SH #3 OF 5 SECTION H-H.
- 2 FOR DUAL INDEX LIST REFER TO D-DC-LINC8-0-14
- 3 FOR MOUNTING LINC TAPE SEE DETAIL A & SEC. J-J & H-H
- 4 FOR MOUNTING OF LINC TAPES SEE DETAIL E & SEC. K-K & L-L

PANEL CONFIGURATION IS INCORRECT - SEE DETAIL A

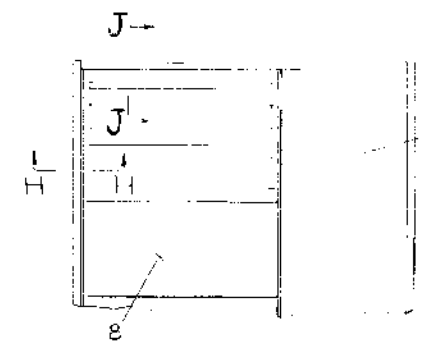


DETAIL A

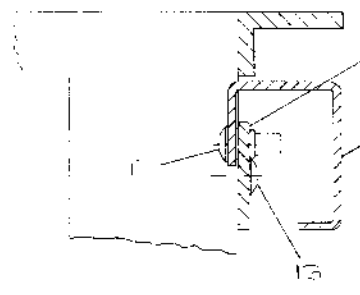


SEE DETAIL 'A' SEE DETAIL 'E'

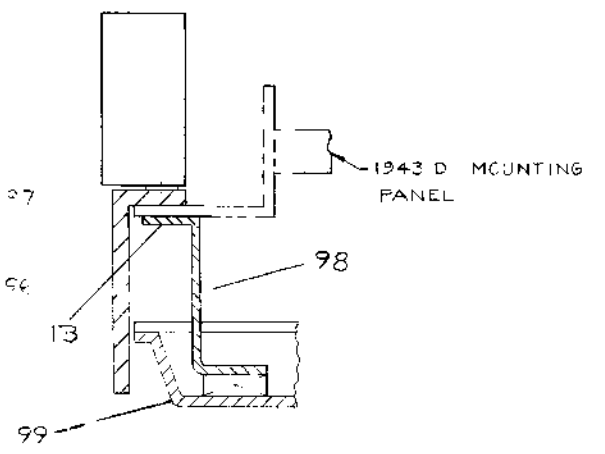
SEE DETAIL B



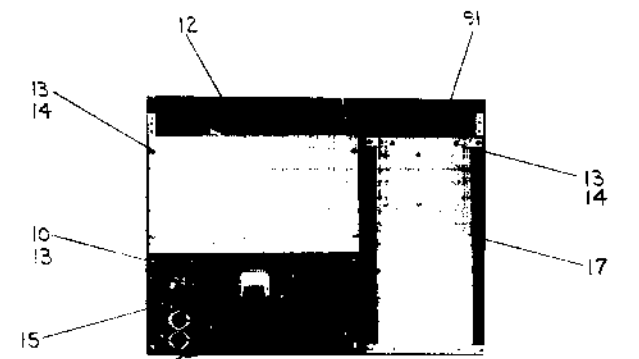
DETAIL A FOR MOUNTING OF LINC TAPE SEE NOTE 3



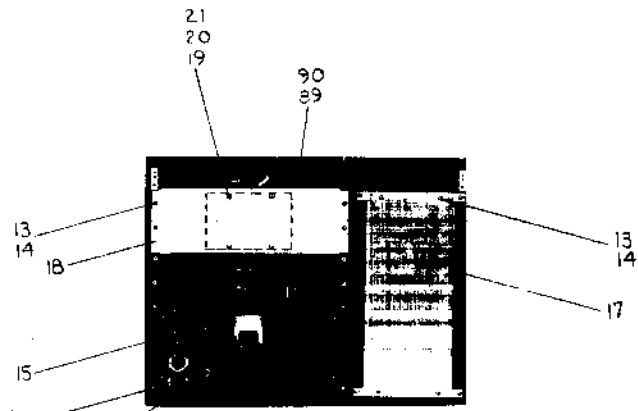
SECTION J - J



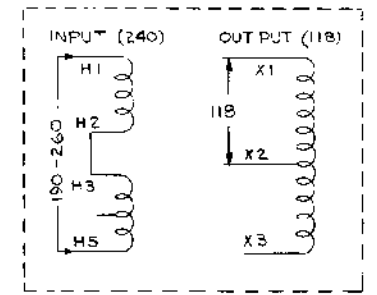
SECTION H-H



DETAIL B' WITH COVER REMOVED (60 CYCLE MACHINE)



DETAIL B' WITH COVER REMOVED (50 CYCLE MACHINE)

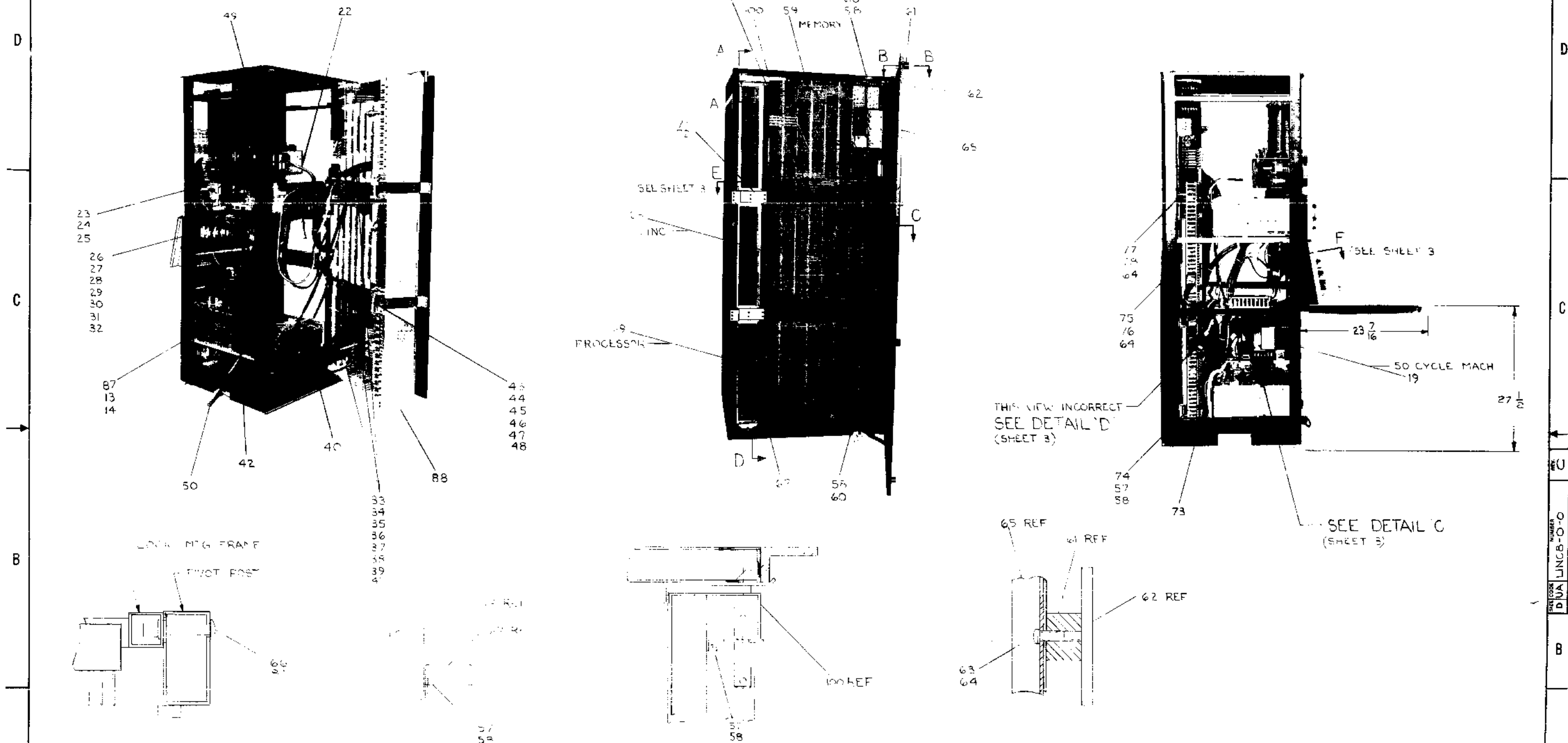


INTERNAL HOOK-UP OF SOLA TRANS. FOR 60 CYCLE MACHINE

REVISIONS	CHANGE NO.	REV.	DATE
1	1	A	10/1/60
2	2	B	10/1/60
3	3	C	10/1/60
4	4	D	10/1/60
5	5	E	10/1/60
6	6	F	10/1/60
7	7	G	10/1/60
8	8	H	10/1/60
9	9	I	10/1/60
10	10	J	10/1/60
11	11	K	10/1/60
12	12	L	10/1/60

LINC8 60 CYCLE MACH	D-UA-LINC8-1-0		
LINC8 50 CYCLE MACH	D-UA-LINC8-2-0		
QTY	DESCRIPTION	PART NO.	ITEM NO.
PARTS LIST			
UNLESS OTHERWISE SPECIFIED		DATE	
DIMENSION IN INCHES		DATE	
TOLERANCES		DATE	
DECIMALS	FRACTIONS	ANGLES	
.005	1/64	0/30	
FINAL SURFACE QUALITY REMOVE BURRS AND BREAK SHARP CORNERS			
MATERIAL		FIRST USED ON	
FINISH		SCALE	
		SHEET 1 OF 3	
digital EQUIPMENT CORPORATION		TITLE	
LINC8 ASSEMBLY		NUMBER	
DUA LINC8-0-0		REV.	
DIST.		C	

This machine and components herein are the property of Digital Equipment Corporation and shall not be reproduced or copied or used in whole or in part as the basis for the manufacture or sale of items without written permission.



SECTION C-C
SCALE: 1/1

SECTION D-D
SCALE: 1/1

SECTION A-A
SCALE: 1/1

SECTION B-B
SCALE: 1/1

REVISIONS	REV.
CHANGE NO.	
CHK	

QTY	DESCRIPTION	PART NO.	ITEM NO.
PARTS LIST			
UNLESS OTHERWISE SPECIFIED: DRN: <i>Shell</i> DATE: <i>1/1/68</i>			
UNLESS OTHERWISE SPECIFIED: DIMENSIONS IN INCHES: TOLERANCES: DATE: <i>1/1/68</i>			
DECIMALS FRACTIONS ANGLES: DATE: <i>1/1/68</i>			
.0005 .001 .005 .010 .020 .030 .040 .050 .060 .070 .080 .090 .100 .150 .200 .250 .300 .375 .450 .500 .625 .750 .875 .900 .950 .999: DATE: <i>1/1/68</i>			
MATERIAL: <i>1</i> FIRST USED ON: <i>1/1/68</i>			
FINISH: <i>1</i> SCALE: <i>1/1</i> SHEET: <i>2</i> OF: <i>5</i>			
TITLE		SIZE CODE	NUMBER
LINC8 ASSEMBLY		DIA LINC8-0-0	REV. C
DIST			

PART NO. LINC8-0-0
 REV. C
 SHEET 2 OF 5

DIGITAL EQUIPMENT CORPORATION MAYNARD, MASSACHUSETTS			QUANTITY										REVISIONS			
PARTS LIST			D-UA-LINC8-1-0	D-UA-LINC8-2-0	LINC 8 OPTION									CHANGE NO.	DATE	ENG.
ITEM NO	DWG NO	DESCRIPTION														
1	A-PL-7005088-0-0	LINC 8 CABINET	1	1										A-2931 DEL #51,52	4/17 /67	28
2	A-PL-7005114-0-0	CONTROL PANEL	1	1										53, 54, 55, 56 ADD #100		
3	E-SC-7405106-0-0	GLASS PANEL	1	1										B-2733 CHG #79	7/20 /67	
4	A-PL-7005090-0-0	TABLE	1	1										B-2733 DELETED	7/20 /67	
5	A-PL-7405181-0-0	DETACHABLE COVER	1	1										LOGIC OPTION- SEE PREV. REV.		
6	E-IA-7405092-0-0	END PANEL ASSY	2	2										C-3290 ADD #101, 102	1/19/68 /68	
7	A-PL-7005168-0-0	DATA TERM PANEL	1	1										103, CHG 8, 9, 10, 13.		
8	A-PL-7005260-0-0	TAPE TRANSPORT LINC8 (60CYC)	A/R													
8	A-PL-7005260-0-0	TAPE TRANSPORT LINC8 (50 CYC)	A/R													
9		SCR PHL HD TRUSS 10-32 X 5/8 BLK PASSIVATE	A/RA/R	FO												
10		WASH. 3/8 O.D. X 1/4 I.D. X .020 THK NYLON	A/RA/R	FO												
11	A-PL-3004810-1-0	CONSOLE REMOTE SCOPE (60 CYCLE)	1													
11	A-PL-3004810-2-0	CONSOLE & REMOTE SCOPE (50 CYCLE)		1												
12	B-MD-5100	STD FRONT PANEL "F" SIZE STOCK #7402027	1													
MADE BY R. MARSHALL		DATE 12-7-66	TITLE LINC 8 ASSEMBLY			DRWG. NO. A-PL-LINC8-0-0			REV. LTR. C							
CHECKED D. HEALY		DATE 12-13-66	FOR 50 CYCLE MACH LINC8-2-0 60 CYCLE MACH LINC8-1-0			ASSY NO (3 SHEETS) D-UA-LINC8-0-0			SHEET 1 OF 8							
ENG R. Cajolel		DATE 2/2/67	G													

DIGITAL EQUIPMENT CORPORATION MAYNARD, MASSACHUSETTS			QUANTITY										REVISIONS			
PARTS LIST			D-UA-LINC8-1-0	D-UA-LINC8-2-0	LINC 8 OPTION									CHANGE NO.	DATE	ENG.
ITEM NO	DWG NO	DESCRIPTION														
13		SCR PHL TRUSS 10-32 X 5/8 SST	A/RA/R	FO												
14		WASH INT TOOTH #10	16	16												
15	MA-D-708-0-1	708 POWER SUPPLY	1													
15	MA-D-708A-0-1	708A POWER SUPPLY		1												
16	A-IC-LINC8-0-12	708 P.S. CORD #34-3 FT (P.W.C.)	1	1												
17	MA-D-783-0-1	783 POWER SUPPLY	1													
17	MA-D-783A-0-1	783A POWER SUPPLY		1												
18	D-MD-7405324-0-0	MTG PANEL (SOLA TRANS)		1												
19		SOLA TRANS #23-22-612 TYPE CVS		1												
20		SCR PHL TRUSS H 1/4-20 X 1/2 SST		4												
21		NUT, KEPS 1/4-20 SST		4												
22	D-IA-7005187-0-0	LINC TAPE UNIT-W073 CABLE	1	1												
23	C-IA-7405556-7-0	W021-W011 CABLE	11	11												
24	C-IA-7405553-7-0	W033-W033 CABLE	1	1												
MADE BY R. MARSHALL		DATE 12-7-66	TITLE LINC 8 ASSEMBLY			DRWG. NO. A-PL-LINC8-0-0			REV. LTR. C							
CHECKED D. HEALY		DATE 12-14-66	FOR G			ASSY NO D-UA-LINC8-0-0			SHEET 2 OF 8							
ENG R. Cajolel		DATE 2/2/67	G													

DIGITAL EQUIPMENT CORPORATION MAYNARD, MASSACHUSETTS			QUANTITY										REVISIONS		
PARTS LIST			D-UA-LINC8-1-0	D-UA-LINC8-2-0	LINC 8-ASSEMBLY								CHANGE NO.	DATE	ENG.
ITEM NO.	DWG NO.	DESCRIPTION													
25	C-IA-7405552-4-0	W031-W031 CABLE	2	2											
26	C-IA-7405553-1-0	W033-W033 CABLE	5	5											
27	C-IA-7405553-2-0	W033-W033 CABLE	6	6											
28	C-IA-7405553-3-0	W033-W033 CABLE	2	2											
29	C-IA-7405553-4-0	W033-W033 CABLE	2	2											
30	C-IA-7405553-5-0	W033-W033 CABLE	1	1											
31	C-IA-7405553-6-0	W033-W033 CABLE	1	1											
32	C-IA-7405553-2-0	W036-W033 CABLE	2	2											
33	C-IA-7405552-1-0	W031-W031 CABLE	1	1											
34	C-IA-7405552-2-0	W031-W031 CABLE	5	5											
35	C-IA-7405554-1-0	W034-W034 CABLE	10	10											
36	C-IA-7405554-2-0	W034-W034 CABLE	1	1											
37	C-IA-7405554-3-0	W034-W034 CABLE	2	2											
38	C-IA-7405554-4-0	W034-W034 CABLE	2	2											
MADE BY R. MARSHALL	DATE 12-7-66	TITLE LINC 8-ASSEMBLY		DRWG. NO. A-PL-LINC8-0-0				REV. LT. C							
CHECKED D. HEALY	DATE 12-14-66	FOR		ASSY NO D-UA-LINC8-0-0				SHEET 3 OF 8							
ENG <i>R. Capolet</i>	DATE 2/2/67														

DIGITAL EQUIPMENT CORPORATION MAYNARD, MASSACHUSETTS			QUANTITY										REVISIONS		
PARTS LIST			D-UA-LINC8-1-0	D-UA-LINC8-2-0	LINC 8-ASSEMBLY								CHANGE NO.	DATE	ENG.
ITEM NO.	DWG. NO.	DESCRIPTION													
39	C-IA-7405554-5-0	W034-W034 CABLE	2	2											
40	D-IA-7005186-0-0	SCOPE-W072 CABLE	1	1											
41	D-IA-7405552-3-0	W031-W031 CABLE	1	1											
42		FASPIN #34-D-4-14R LEHIGH METALS	2	2											
43		JUMPER POWER (RED) DEC STOCK #7403401	2	2											
44		JUMPER POWER (BLU) DEC STOCK #7403401	2	2											
45		JUMPER POWER (BLK) DEC STOCK #7403358	2	2											
46		JUMPER POWER (ORN) DEC STOCK #7403403	2	2											
47		JUMPER POWER (GRN) DEC STOCK #7403402	2	2											
48		JUMPER PWR, RED/WHT TW PR #18 WIRE X 8" LG #42025-1 ON ENDS OF WIRE	1	1											
49	A-IC-LINC8-0-12	TAPE UNIT (60 C.P.S.) EXT CORD 7 FT. LG (WABER)	1												
50	A-IC-LINC8-0-12	POWER CORD 20 FT #12-20 J.W. MILLER	1												
51	C-MD-7405094-0-0	BRACKET LATCH	1												
MADE BY R. MARSHALL	DATE 12/7/66	TITLE LINC 8 ASSEMBLY		DRWG. NO. A-PL-LINC8-0-0				REV. LT. C							
CHECKED D. HEALY	DATE 12/14/66	FOR		ASSY NO D-UA-LINC8-0-0				SHEET 4 OF 8							
ENG <i>R. Capolet</i>	DATE 2/2/67														

DIGITAL EQUIPMENT CORPORATION MAYNARD, MASSACHUSETTS			QUANTITY				REVISIONS		
PARTS LIST			D-UA-LINC8-1-0	D-UA-LINC8-2-0	E-100-0-0		CHANGE NO	DATE	ENG.
ITEM NO	DWG NO	DESCRIPTION							
52		POP REVID 5/32 WADSTABS USMC	4	4					
53	C-MD-20407-3	PLENUM DOOR LATCH SPRING	1	1					
54	C-MD-20407-4	PLENUM DOOR LATCH PIN	1	1					
55		ROLL PIN 1/8 DIA X 1 1/8 LG SST	1	1					
56		ROLL PIN 1/8 DIA X 5/8 LG SST	1	1					
57		SCR PHL PAN H #6-32 x 5/8 SST	25	25					
58		WASHER INT TOOTH #6	29	29					
59	A-PL-7005110-0-0	MEMORY UNIT (FIRST SECTION)	1	1					
60		SCR PHL PAN H #6-32 x 1/4 SST	4	4					
61	A-MD-7405321-0-0	SPACER VENT STRIP	4	4					
62	D-MD-7405278-1-0	VENT STRIP (GRAY)	1	1					
63		SCR PHL PAN H #10-32 x 1/2 SST	4	4					
64		WASH. EXT TOOTH #10	9	9					
65	A-PL-7005171-0-0	DOOR ASSEMBLY	1	1					
MADE BY R. MARSHALL	DATE 12-7-66	TITLE LINC8 ASSEMBLY		DRWG. NO. A-PL-LINC8-0-0		REV. LTR. C			
CHECKED D. HEALY	DATE 12-14-66	FOR		ASSY NO D-UA-LINC8-0-0		SHEET 5 OF 8			
ENG <i>R. Coyle</i>	DATE 2/2/67	G							

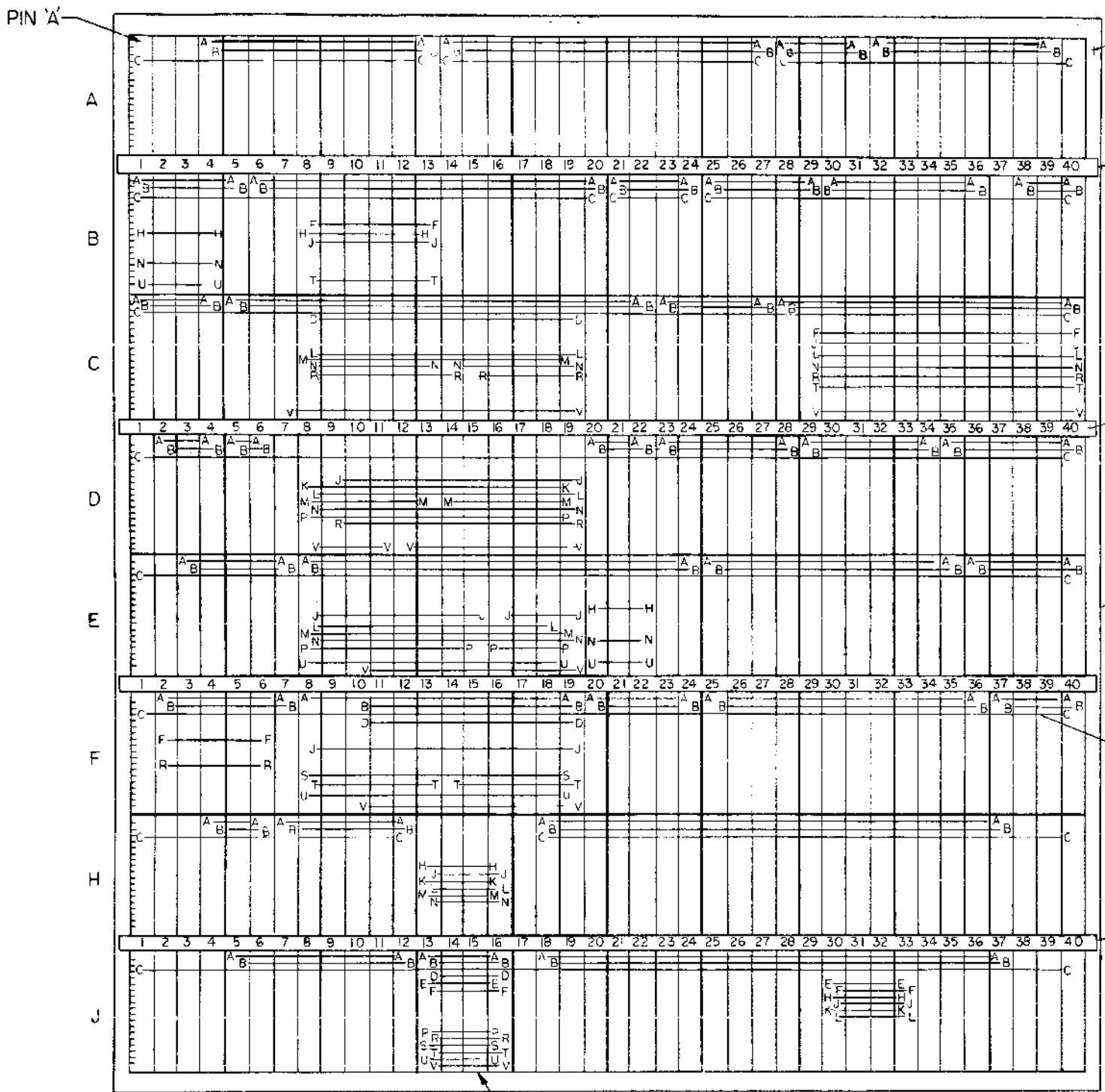
DIGITAL EQUIPMENT CORPORATION MAYNARD, MASSACHUSETTS			QUANTITY				REVISIONS		
PARTS LIST			D-UA-LINC8-1-0	D-UA-LINC8-2-0	E-100-0-0		CHANGE NO	DATE	ENG.
ITEM NO	DWG NO	DESCRIPTION							
66		SCR PHL HD TRUSS 1/4-20 X 1 1/2 SST	9	9					
67	C-MD-7405315-0-0	MAGNET CATCH	1	1					
68	A-PL-7005108-0-0	LINC UNIT (SECOND SECTION)	1	1					
69	A-PL-7005109-0-0	PROCESSOR UNIT (THIRD SECTION)	1	1					
70		SCR PHL HD TRUSS 1/4-20 X 5/8 SST	9	9					
71	B-MD-7405093-0-0	INTERMEDIATE SUPPORT	2	2					
72	C-MD-7405291-0-0	SHIPPING BRKT	2	2					
73	E-IA-7405511-0-0	POWER WIRING HARNESS	1	1					
74	D-MD-7405632-0-0	CABLE DUCT #2	1	1					
75	D-MD-7405327-0-0	CABLE HOLD DOWN	2	2					
76		SCR PHL PAN H 10-32 X 5/8 SST	4	4					
77		STANDOFF 1/4 ID X 3/8 OD 1 1/4	1	1					
78		SCR. PHL HD PAN 10-32 X 2 SST	1	1					
79	C-MD-7405633-1-0	CABLE DUCT #1	1	1					
MADE BY R. MARSHALL	DATE 12-7-66	TITLE LINC8 ASSEMBLY		DRWG. NO. A-PL-LINC8-0-0		REV. LTR. C			
CHECKED D. HEALY	DATE 12-14-66	FOR		ASSY NO D-UA-LINC8-0-0		SHEET 6 OF 8			
ENG <i>R. Coyle</i>	DATE 2/2/67	G							

DIGITAL EQUIPMENT CORPORATION MAYNARD, MASSACHUSETTS			QUANTITY										REVISIONS			
PARTS LIST			D-UA-LINC8-1-0	D-UA-LINC8-2-0	LINC 8 OPTION									CHANGE NO	DATE	ENG.
ITEM NO	DWG NO	DESCRIPTION														
80		BOLT, HEX 1/4-20 X 2 1/2 SST	4	4												
81		SCR PHL HD TRUSS 6-32 X 7/16 SST	6	6												
82		WASHER EXT TOOTH 1/4-20	22	22												
83		NUT, KEPS 6-32 SST	8	8												
84		WASH 3/16 ID X 5/16 OD 1/32 THK SST	12	12												
85		MUFFIN FAN, 115 VAC, 60 CYC, 14W DEC STOCK #33-MUFFIN FAN	1	1												
86	C-MD-7405625-0-0	SHIELD, 708 POWER SUPPLY	1	1												
87	A-PL-7005164-1-0	POWER INPUT PANEL ASS'Y	1													
87	A-PL-7005164-2-0	POWER INPUT PANEL ASS'Y		1												
88	A-PL-7005229-0-0	FAN & MARGINAL CHK ASS'Y	3	3												
89	A-IC-LINC8-0-12	TAPE UNIT (50 CYCLES) REWORK TO 28" LG		1												
90	A-IC-LINC8-0-12	TAPE UNIT (50 CYCLES) REWORK TO 44" LG.		1												
91	A-IC-LINC8-0-12	783 P.S. REWORK 34-3 FT. TO 28" LONG	1													
92	SEE MDL	LINC8 MASTER DWG LIST	1	1												
MADE BY R. MARSHALL		DATE 12/7/66	TITLE LINC 8 ASSEMBLY										DRWG. NO. A-PL-LINC8-0-0		REV. LTR.	
CHECKED D. HEALY		DATE 12/16/66	FOR										ASSY NO B-UA-LINC8-0-0		SHEET 7 OF 8	C
ENG <i>R. Coyle</i>		DATE 2/2/67														

DIGITAL EQUIPMENT CORPORATION MAYNARD, MASSACHUSETTS			QUANTITY										REVISIONS			
PARTS LIST			D-UA-LINC8-1-0	D-UA-LINC8-2-0	LINC 8 OPTION									CHANGE NO	DATE	ENG.
ITEM NO	DWG NO	DESCRIPTION														
93		ROTRON GRILLE/FILTER DEC STOCK #7403018	1	1												
94	MD-C-20400-27	STOP ROD	1	1												
95		CARR FASTENER RATCHET PLATE HS-47285	1	1												
96	C-MD-7405203-0-0	FILLER	1	1												
97	B-IA-7405760-0-0	PANEL, BLANK	1	1												
98	C-IA-7405570-2-0	COVER, RETAINER	4	4												
99	C-MD-7405644-0-0	COVER, REWORK	2	2												
100	C-AD-7005439-0-0	LATCH BRACKET	1	1												
101	C-IA-7406137-0-0	MTG BRACKET (TAPE DRIVE)	1	1												
102	B-IA-7406564-0-0	PANEL, BLANK	1	1												
103	B-MD-7406565-0-0	FILLER	1	1												
MADE BY R. MARSHALL		DATE 12-7-66	TITLE LINC 8 ASSEMBLY										DRWG. NO. A-PL-LINC8-0-0		REV. LTR.	
CHECKED D. HEALY		DATE 12-16-66	FOR										ASSY NO B-UA-LINC8-0-0		SHEET 8 OF 8	C
ENG <i>R. Coyle</i>		DATE 2/2/67														

This drawing and specifications, herein, are the property of Digital Equipment Corporation and shall not be reproduced or copied or used in whole or in part as the basis for the manufacture or sale of items without written permission.

NOTES:
1. REFER TO DWG # D-AD-7005050-0-0 FOR ASS'Y PROCEDURES.



6 - POP RIVET (1 REQ'D)

2 - MTG. BAR #7005099-0-0 (3 REQ'D)

5 - WASHER (8 REQ'D)

4 - SCREW (8 REQ'D)

1 - DOOR FRAME #7405034-0-0 (1 REQ'D)

7 - VOLTAGE CHAIN #12-3584-032 (AS REQ'D)

3 - MTG. BAR #7005102-0-0 (1 REQ'D)

REVERSED BLOCK

REV.	CHANGE NO.	DATE
1	2-23-67	A

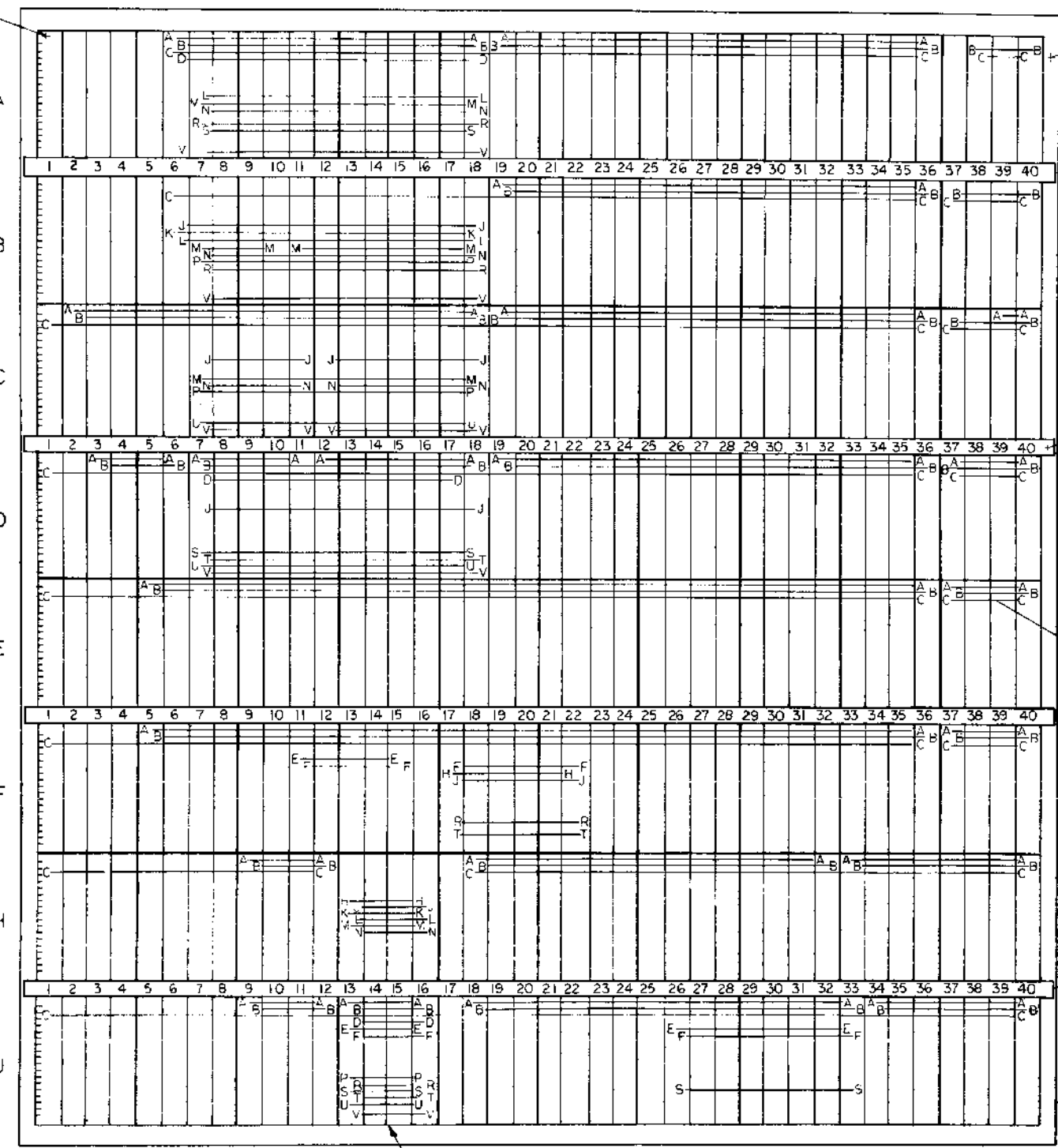
QTY.	DESCRIPTION	PART NO.	ITEM NO.
PARTS LIST			
DIGITAL EQUIPMENT CORPORATION			
TITLE: LINC UNIT (SECOND SECTION)			
UNLESS OTHERWISE SPECIFIED		DATE: 4-15-66	
UNLESS OTHERWISE SPECIFIED		DATE: 4-15-66	
DIMENSION IN INCHES		DATE: 4-15-66	
TOLERANCES		DATE: 4-15-66	
DECIMALS	FRACTIONS	ANGLES	DATE: 4-15-66
± .005	± 1/64	± 0°30'	DATE: 4-15-66
FINAL SURFACE QUALITY: REMOVE BURRS AND BREAK SHARP CORNERS			
MATERIAL: //		FIRST USED ON: UA-E-LINC8-0-0	
FINISH: //		SCALE: NONE	
SHEET: 2		OF: 2	
SIZE CODE: D		NUMBER: AD 7005108-0-0	
DIST.:		REV. A	

D AD 7005108-0-0

This drawing and specifications, herein, are the property of Digital Equipment Corporation and shall not be reproduced or copied or used in whole or in part as the basis for the manufacture or sale of same without written permission.

601900Z JAN 68
1200 325

NOTES:
1. REFER TO DWG. "D-AD-7005050-0-0 FOR ASSY PROCEDURES



7 - POP RIVET (1 REQ'D)

6 - MTG. BAR 7005099-0-0 (3 REQ'D)

5 - WASHER (8 REQ'D)

4 - SCREW (8 REQ'D)

3 - VOLTAGE CHAIN *12-3584-032 (AS REQ'D)

2 - MTG. BAR 7005102-0-0 (1 REQ'D)

1 - DOOR FRAME 7005034-0-0 (1 REQ'D)

REVERSED BLOCK

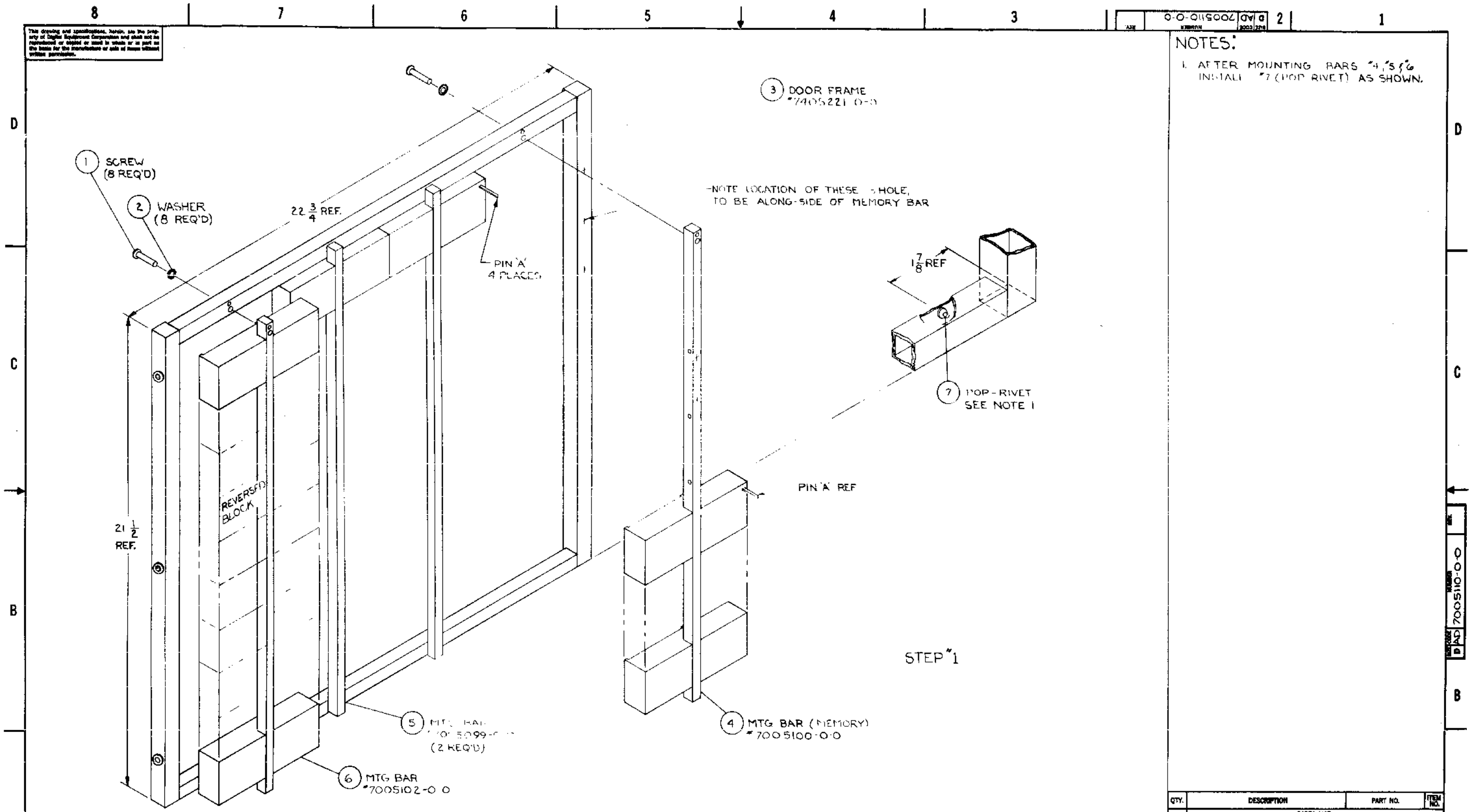
REVISIONS	REV.
CHK	CHANGE NO.

QTY.	DESCRIPTION	PART NO.	ITEM NO.
PARTS LIST			
UNLESS OTHERWISE SPECIFIED:		DATE	
UNLESS OTHERWISE SPECIFIED		DATE	
DIMENSION IN INCHES		DATE	
TOLERANCES		DATE	
DECIMALS	FRACTIONS	ANGLES	
± .005	± 3/64	± 0°30'	
FINAL SURFACE QUALITY		DATE	
REMOVE BURRS AND BREAK SHARP CORNERS		DATE	
MATERIAL		FIRST USED ON	
//		UA-E-LINC8-0-0	
FINISH		SCALE NONE	
//		SHEET NONE	
		SHEET OF	
		DIST.	
DIGITAL EQUIPMENT CORPORATION MAYFIELD, MASSACHUSETTS			
TITLE CENTRAL PROC. UNIT (THIRD SECT)			
SIZE CODE		NUMBER	
D AD 7005109-0-0		REV.	

D AD 7005109-0-0

This drawing and specifications, herein, are the property of Digital Equipment Corporation and shall not be reproduced or copied or used in whole or in part as the basis for the manufacture of any of same without written permission.

NOTES:
 1. AFTER MOUNTING BARS 4, 5 & 6 INITIAL #7 (POP RIVET) AS SHOWN.



REV. CHANGE NO. CHECK

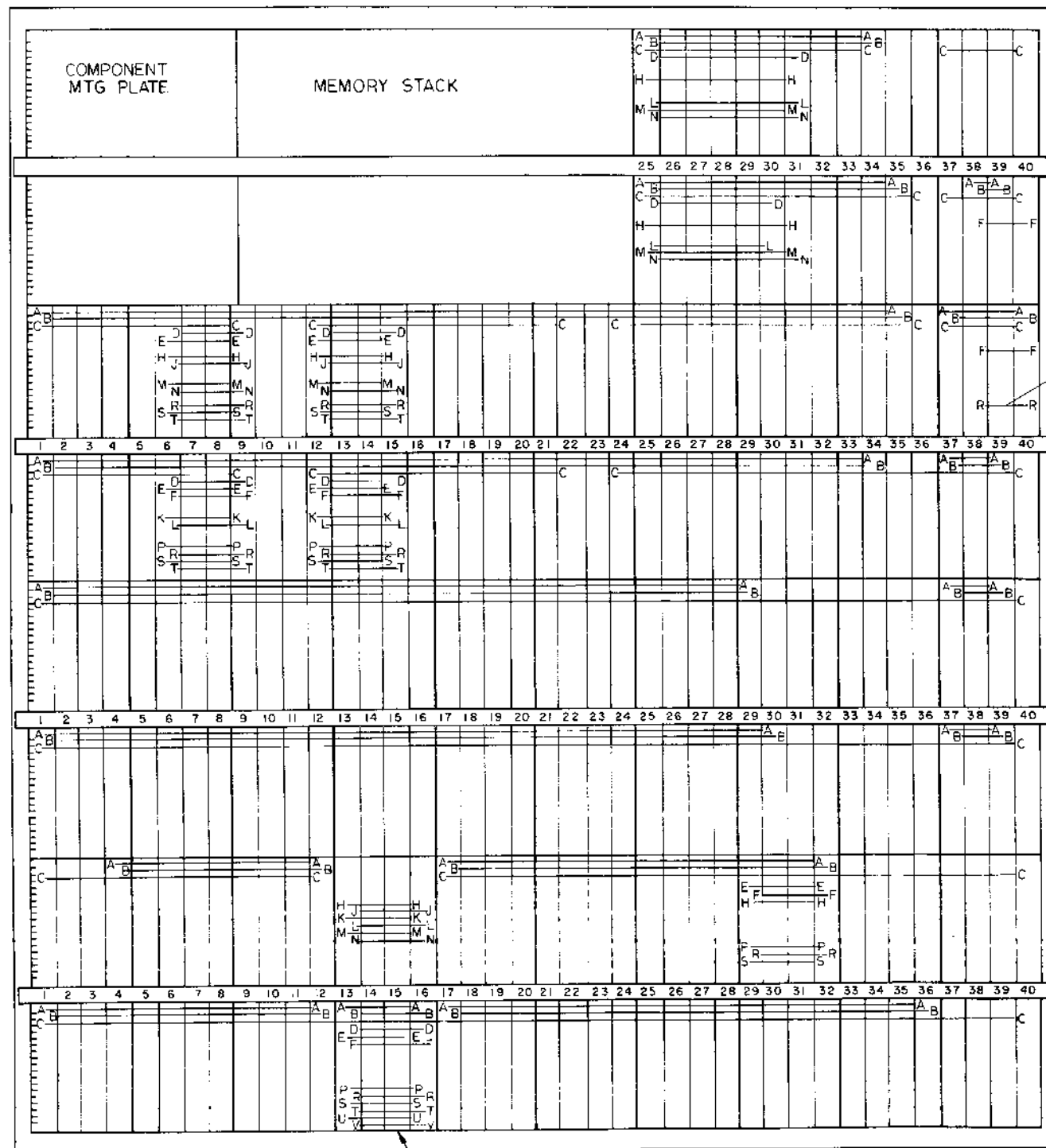
UNLESS OTHERWISE SPECIFIED DIMENSIONS IN INCHES
 TOLERANCES DECIMALS FRACTIONS ANGLES
 ± .005 ± 1/64 ± 0°30'
 FINAL SURFACE QUALITY REMOVE BURRS AND BREAK SHARP CORNERS

DATE 4-22-66
 DATE 4-22-66
 DATE 5/19/66
 DATE 8/10/66
 DATE 8-23-66
 LINC 8
 SCALE 1/2
 SHEET 1 OF 4

PARTS LIST
DIGITAL EQUIPMENT CORPORATION
 TITLE MEMORY UNIT (FIRST SECTION)
 SIZE CODE NUMBER REV.
 D AD 7005110-0-0
 DIST.

7005110-0-0
 D AD

This drawing and specifications, herein, are the property of Digital Equipment Corporation and shall not be reproduced or copied in whole or in part as the basis for the manufacture or sale of items without written permission.



23 VOLTAGE CHAIN
12-3584-032
(AS REQ'D)

REVERSED BLOCK
STEP #2

REV.	
CHG.	
REVISIONS	
CHANGE NO.	

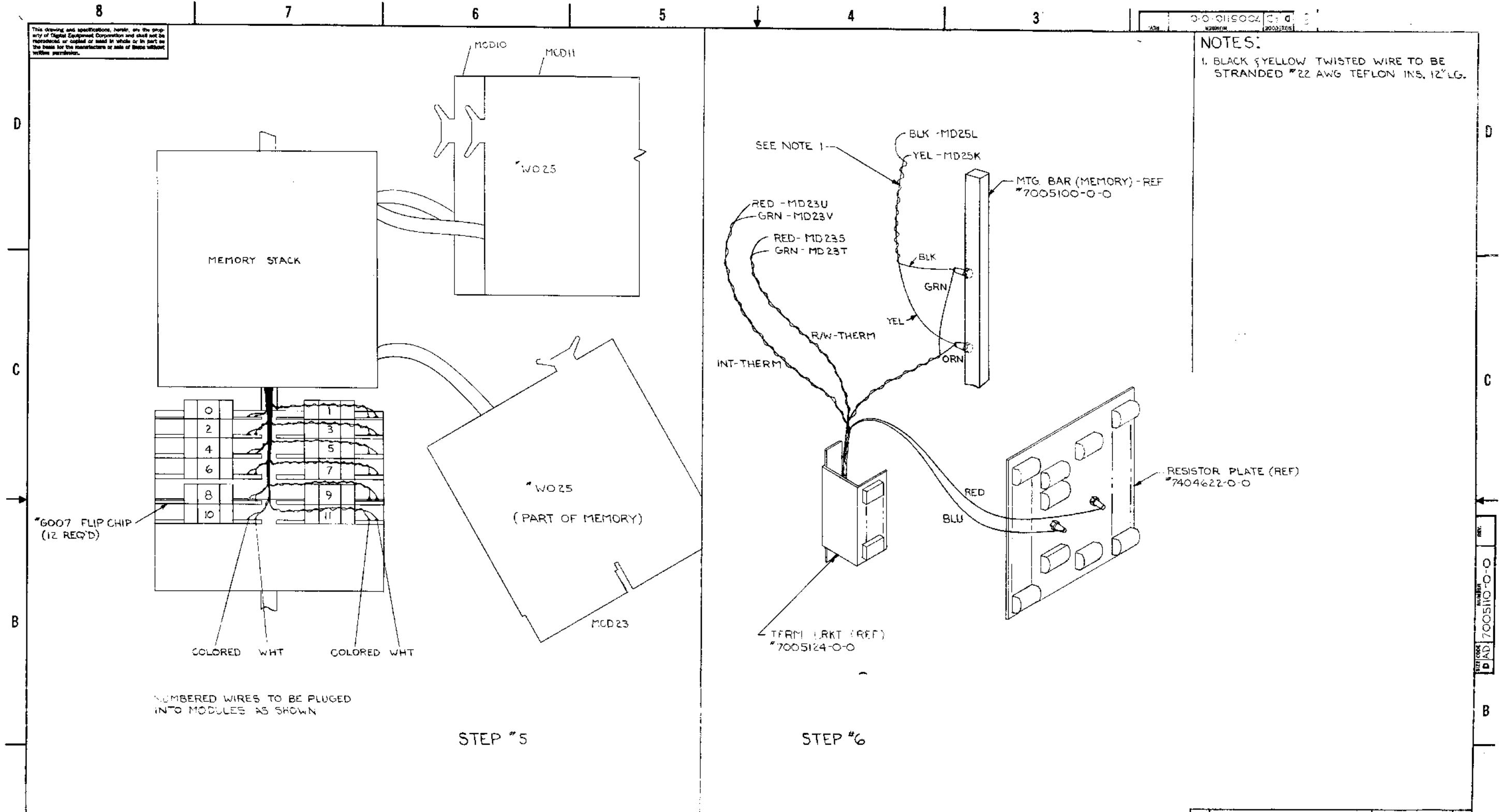
UNLESS OTHERWISE SPECIFIED		DRN	DATE
DIMENSION IN INCHES		<i>C. Marshall</i>	<i>4-2-66</i>
TOLERANCES		CHK	DATE
DECIMALS	FRACTIONS	<i>C. Marshall</i>	<i>5-2-66</i>
± .008	± 1/64	ENG	DATE
± .005	± 0.000	<i>C. Marshall</i>	<i>5-2-66</i>
FINAL SURFACE QUALITY		PROJ. ENG.	DATE
REMOVE BURRS AND BREAK SHARP CORNERS		PROJ.	DATE
MATERIAL	FIRST USED ON	TITLE	
— / —	LINC 8	MEMORY UNIT (FIRST SECTION)	
FINISH	SCALE	SIZE CODE	NUMBER
— / —	NONE	D AD	7005110-0-0
SHEET 2 OF 2		DIST.	

REV. NO. 7005110-0-0

This drawing and specifications, herein, are the property of Digital Equipment Corporation and shall not be reproduced, or copied or used in whole or in part as the basis for the manufacture or sale of those without written permission.

0-0-015004 C: 0 3

NOTES:
1. BLACK & YELLOW TWISTED WIRE TO BE STRANDED #22 AWG TEFLON INS. 12" LG.



NUMBERED WIRES TO BE PLUGGED INTO MODULES AS SHOWN

STEP #5

STEP #6


REV.	
CHG	
REV.	
CHG	

QTY.	DESCRIPTION	PART NO.	ITEM NO.
PARTS LIST			
DIGITAL EQUIPMENT CORPORATION PARTS LIST			
UNLESS OTHERWISE SPECIFIED			
DIMENSIONS IN INCHES			
TOLERANCES			
DECIMALS	FRACTIONS	ANGLES	
± .005	± 1/64	± 0°30'	
FINAL SURFACE QUALITY			
REMOVE BURRS AND BREAK SHARP CORNERS			
MATERIAL		FIRST USED ON	
---		LINC 8	
FINISH		SCALE NONE	
---		SHEET 4 OF 4	
TITLE		SIZE CODE	
MEMORY UNIT		D AD 7005110-0-0	
(FIRST SECTION)		NUMBER	
		REV.	

REV. NO. 1
D AD 7005110-0-0


DRWG NO	REV LTR
K-WL-LINC8-0-L9	M

REVISIONS			
REV LTR	ECO NO	DATE	ENG
A	3	11-15-66	JS
B	6	12/30/66	ASC
C	9	1-9-67	AS
D	10/12	2-23-67	PPC
E	14	3-28-67	PPC
F	22	8-21-67	AS
H	24	9/19/67	PPC
J	LINC8L-00001	1/22/69	AS
K	LINC8L-00002	1/31/70	AS
L	LINC8L-00003	7-9-70	PPM
M	LINC8L-00006	6-1-71	AS

DRAWN <i>R.E. Benier</i>	DATE 7/27/66	 digital EQUIPMENT CORPORATION MAYNARD, MASSACHUSETTS	TITLE WIRING LIST LINC 8			
CHECKED <i>R. J. Clough</i>	DATE 4-2-66		FOR			
ENG <i>R. J. Clough</i>	DATE 10-1-66		SIZE	CODE	DWG. NO.	
PROJ ENG <i>R. J. Clough</i>	DATE 10-1-66		K	WL	LINC8-0-L9	
PROD <i>R. J. Clough</i>	DATE 10-1-66	ASSY NO	SCALE	SHEET OF	DIST.	REV LTR M

DRWG NO	REV LTR
K-WL-LINC8-0-M2	H

REVISIONS			
REV LTR	ECO NO	DATE	ENG
A	5	12-30-66	PC
B	8A	1-20-67	PC
C	11	2-24-67	PC
D	16	4-13-67	PC
E	17	6-22-67	PC
F	21	8-21-67	PC
H	LINC8M-00003	3-30-76	PC

DRAWN <i>R. E. Bernier</i>	DATE 7/27/66		TITLE WIRING LIST LINC 8 MEMORY		
CHECKED <i>Thompson</i>	DATE 8-2-66		FOR		
ENG <i>R. J. Clayton</i>	DATE 10-1-66		SIZE	CODE	DWG. NO.
PROJ ENG <i>R. J. Clayton</i>	DATE 10-1-66		K WL		LINC8-0-M2
PRCD <i>R. J. Clayton</i>	DATE 10-1-66	ASSY NO	SCALE	SHEET OF	REV LTR H

DRWG NO
K-WL-LINC8-OP2

REVLTR
K

REVISIONS			
REV LTR	ECO NO	DATE	ENG
A	4	11-18-66	R.S.
B	7	1-5-67	R.S.
C	15	4-13-67	R.S.
D	19	8-17-67	gpc
E	25	9-14-67	R.S.
F	00002	12-12-67	P.L.
H	LINC8P 00003	3-31-69	R.S.
J	LINC8P 00005	7-8-70	R.S.
K	LINC8P 00006	5-12-71	R.S.

DRAWN
R.S. Bernier 7/27/66

CHECKED
Phingault 8-2-66

ENG
R.J. Clout 10-1-66

PROJ ENG
R.J. Clout 10-1-66

PROD
R.J. Clout 10-1-66

digital
EQUIPMENT
CORPORATION
MAYNARD, MASSACHUSETTS

ASSY NO

SCALE SHEET OF

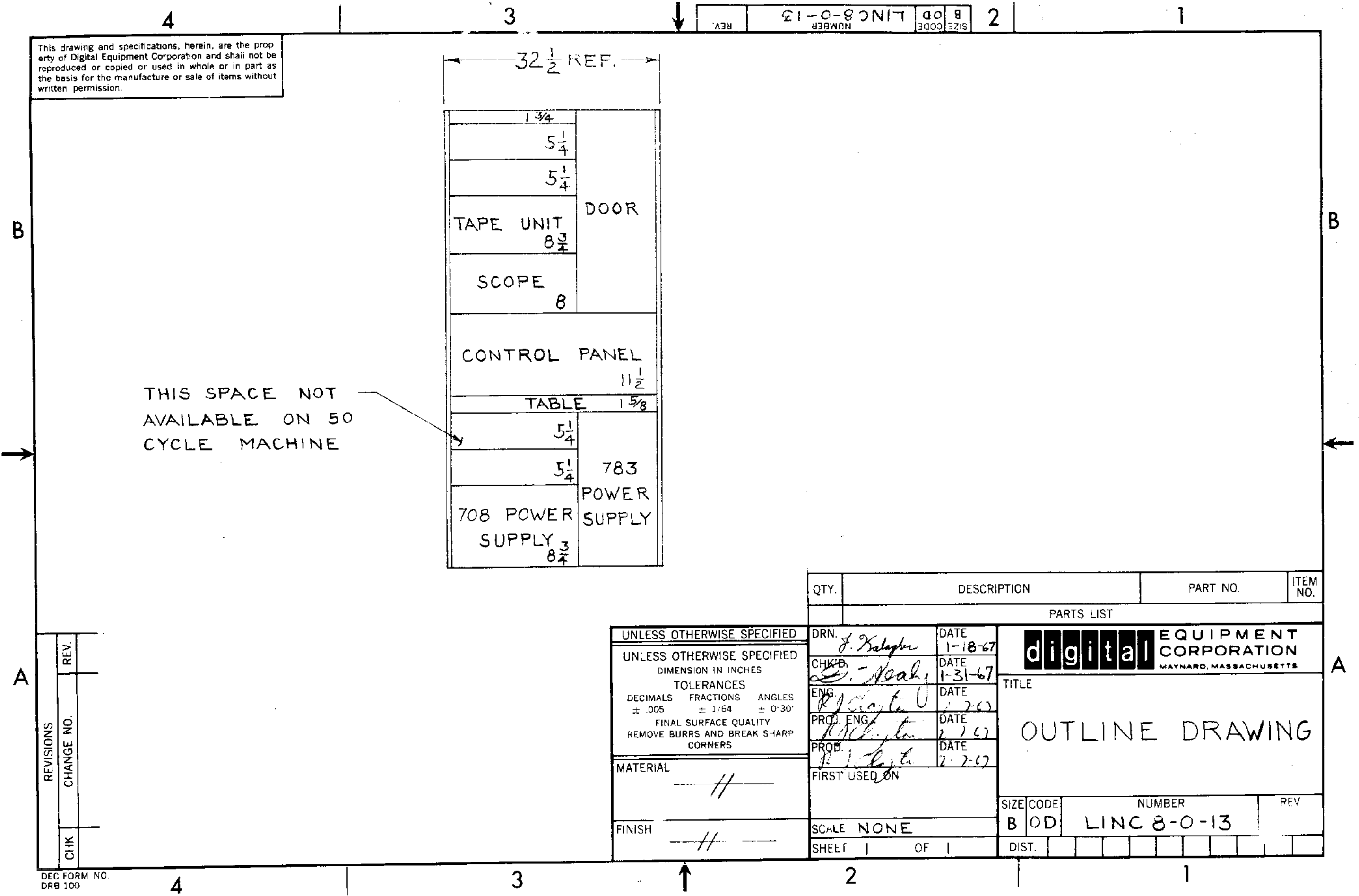
TITLE
WIRING LIST
LINC 8 PROCESSOR

FOR

SIZE	CODE	DWG. NO.	REV LTR
K	WL	LINC8-0-P2	K

DIST.

This drawing and specifications, herein, are the property of Digital Equipment Corporation and shall not be reproduced or copied or used in whole or in part as the basis for the manufacture or sale of items without written permission.



REV.	
CHANGE NO.	
CHK	

UNLESS OTHERWISE SPECIFIED
 DIMENSION IN INCHES
 TOLERANCES
 DECIMALS ± .005 FRACTIONS ± 1/64 ANGLES ± 0°-30'
 FINAL SURFACE QUALITY
 REMOVE BURRS AND BREAK SHARP CORNERS

MATERIAL //

FINISH //

QTY.	DESCRIPTION	PART NO.	ITEM NO.
PARTS LIST			
DRN. <i>J. Kalogir</i>		DATE 1-18-67	
CHK'D. <i>D. Nealy</i>		DATE 1-31-67	
ENG. <i>R. J. G. [unclear]</i>		DATE 1-20-67	
PROJ. ENG. <i>[unclear]</i>		DATE 2-1-67	
PROB. <i>[unclear]</i>		DATE 2-2-67	
FIRST USED ON			
SCALE NONE			
SHEET 1 OF 1			
TITLE		digital EQUIPMENT CORPORATION MAYNARD, MASSACHUSETTS	
TITLE		OUTLINE DRAWING	
SIZE CODE	NUMBER	REV	
B OD	LINC 8-0-13		
DIST.			

