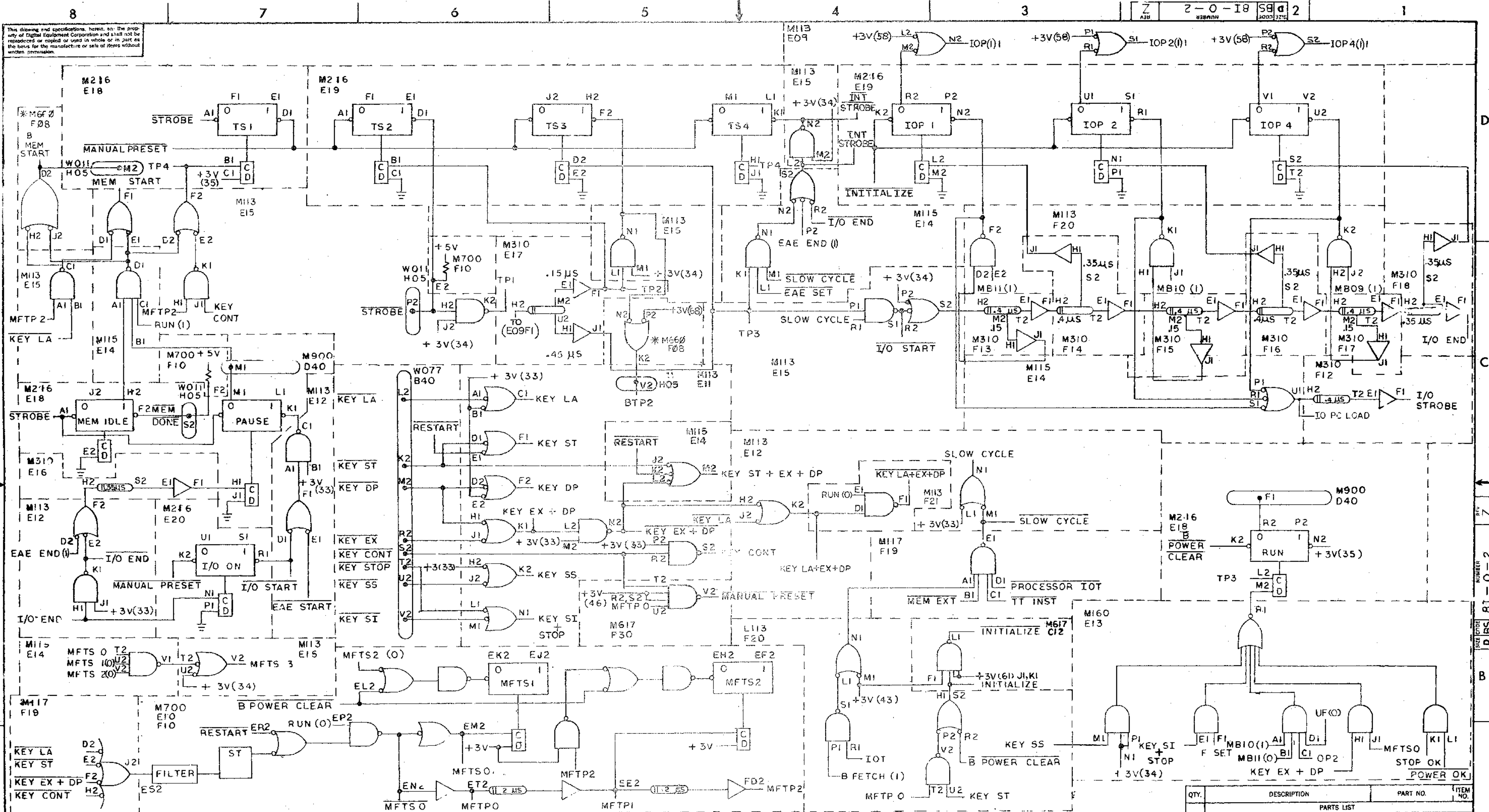


This drawing and specifications, herein, are the property of Digital Equipment Corporation and shall not be reproduced or copied or used in whole or in part as the basis for the manufacture or sale of items without written permission.



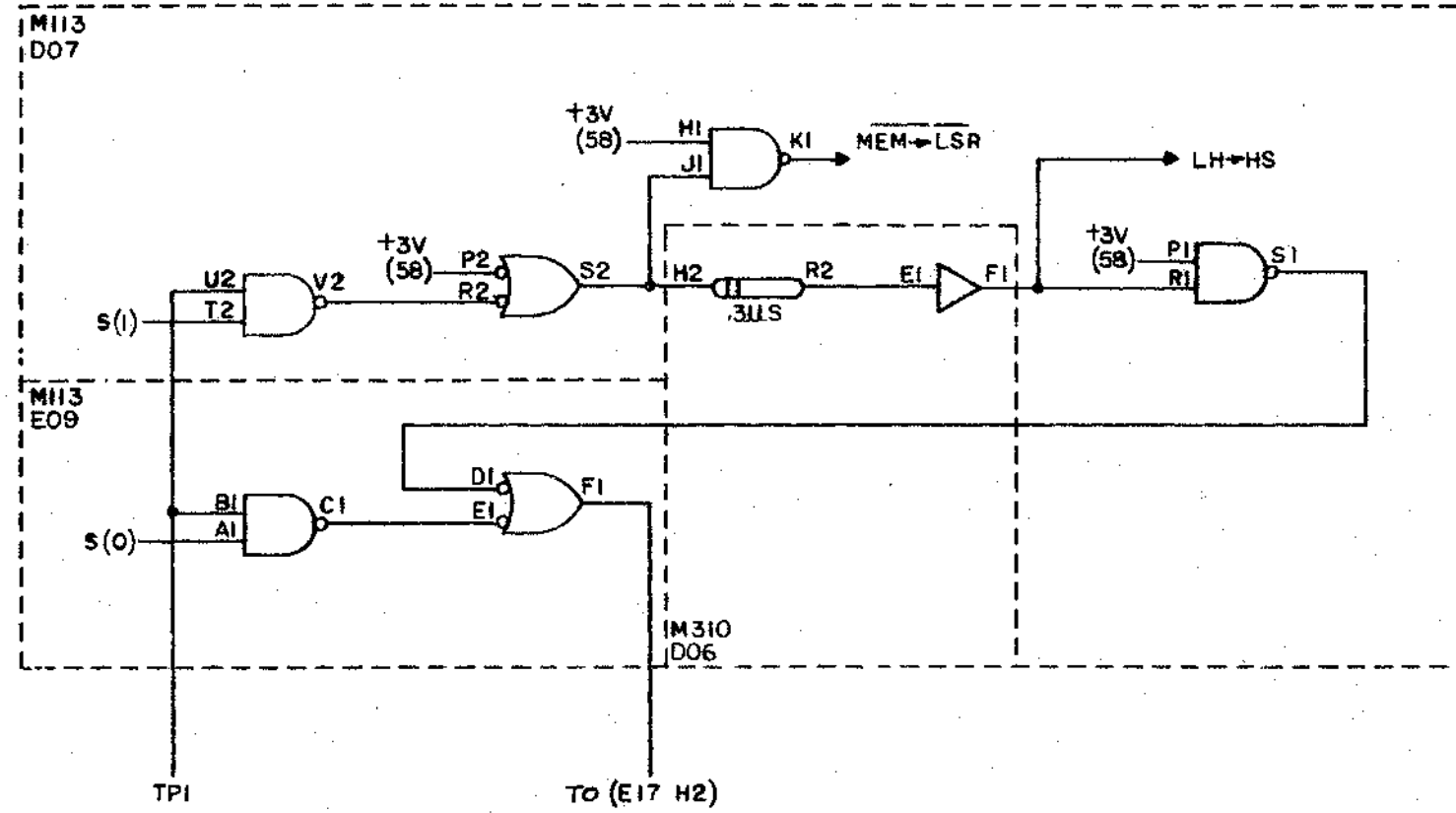
REV.	CHG.	NO.	DATE	BY	CHK.	DESCRIPTION
1	1	1	10-11-67	J. J. O'Connell	J. J. O'Connell	Initial
2	1	2	10-12-67	J. J. O'Connell	J. J. O'Connell	Change to MFTS0
3	1	3	11-1-67	J. J. O'Connell	J. J. O'Connell	Change to MFTS1
4	1	4	11-15-67	J. J. O'Connell	J. J. O'Connell	Change to MFTS2
5	1	5	11-20-67	J. J. O'Connell	J. J. O'Connell	Change to MFTS3
6	1	6	11-21-67	J. J. O'Connell	J. J. O'Connell	Change to MFTS4
7	1	7	11-21-67	J. J. O'Connell	J. J. O'Connell	Change to MFTS5
8	1	8	11-21-67	J. J. O'Connell	J. J. O'Connell	Change to MFTS6

3. TO BE INSTALLED WITH THE FIRST MMBIA ONLY.

NOTE:  
 1. SIGNAL NAMES INDICATE ASSERTED STATES FOR HIGH LEVELS PER DEC STD 054.  
 2. FOR KABI THE I/O STROBE DELAY LINE TAP IS CHANGED FROM PIN F122 TO F12V2 TO INCREASE DELAY TO 0.5 μS.

UNLESS OTHERWISE SPECIFIED		DRN	DATE	TITLE	
DECIMALS	FRACTIONS	DATE	DATE	TIMING, MANUAL FUNCTIONS & RUN	
0.005	1/64	10-11-67	10-12-67	DIGITAL EQUIPMENT CORPORATION	
FINAL SURFACE QUALITY	REMOVE BURRS AND BREAK SHARP CORNERS	PROJ. ENG.	DATE	MATERIAL	
		DATE	DATE	FINISH	
		DATE	DATE	FIRST USED ON	
		DATE	DATE	E-UA-BI-0-0	
		DATE	DATE	SCALE	
		DATE	DATE	SHEET 1 OF 2	

This drawing and specifications, herein, are the property of Digital Equipment Corporation and shall not be reproduced or copied, in whole or in part, as the basis for the manufacture or sale of items without written permission.



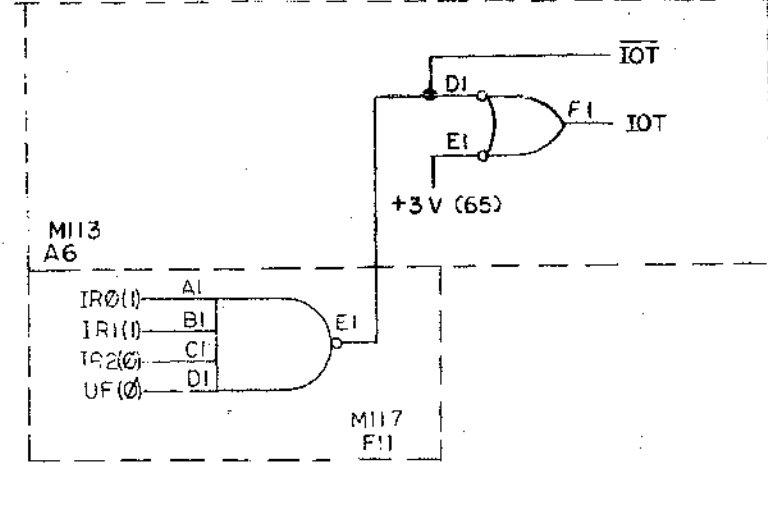
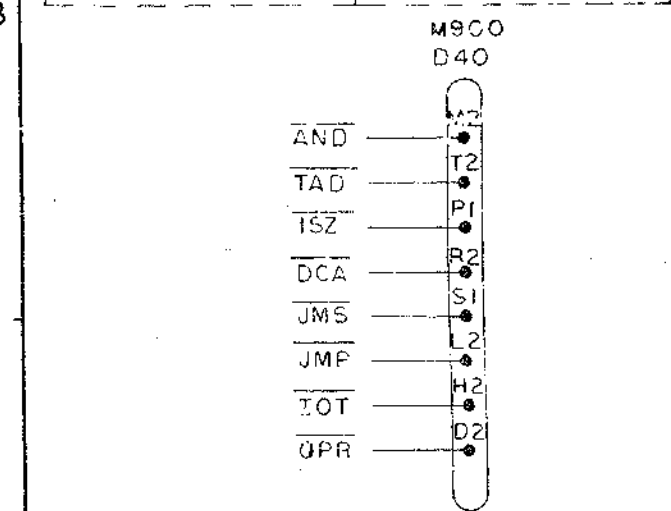
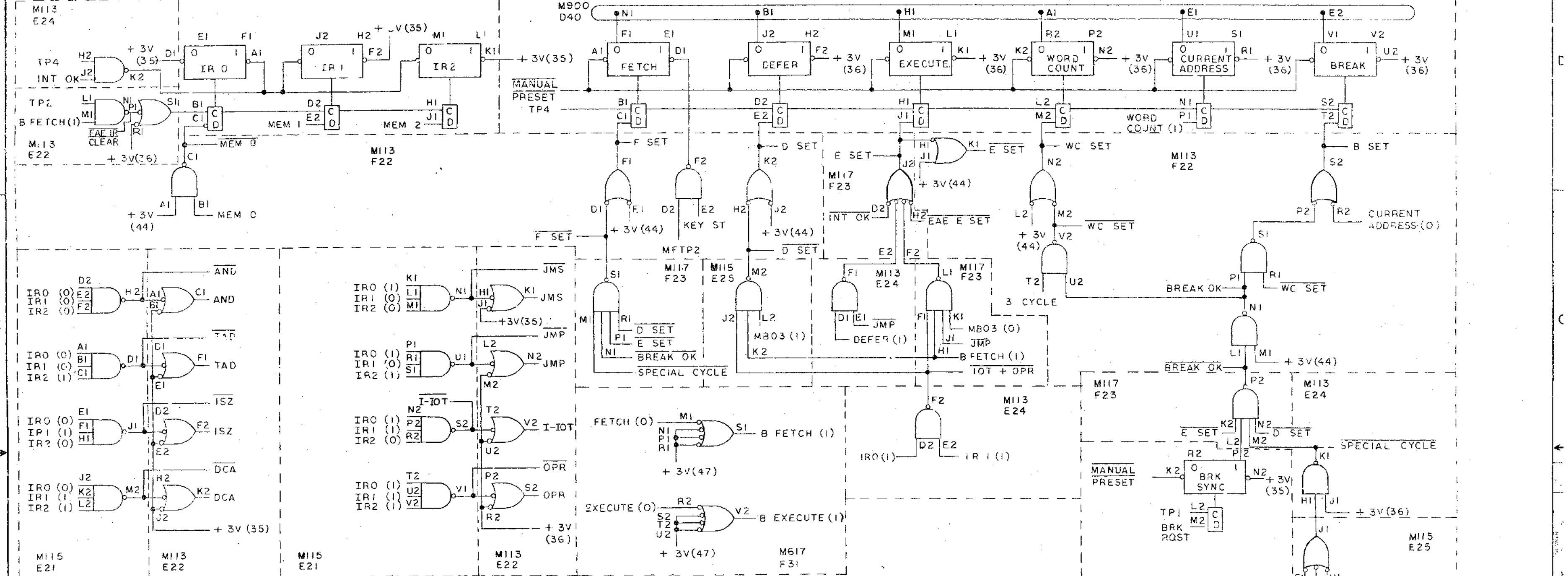
REV.	CHG.	NO.	DATE	BY	APP.
1	W	1	11-3-60	T.O. Wilson	
2	W	2	12-10-60	M. Arsenault	
3	W	3	12-10-60	M. Arsenault	
4	W	4	12-10-60	M. Arsenault	
5	W	5	12-10-60	M. Arsenault	
6	W	6	12-10-60	M. Arsenault	
7	W	7	12-10-60	M. Arsenault	
8	W	8	12-10-60	M. Arsenault	

UNLESS OTHERWISE SPECIFIED		DIMENSION IN INCHES	
DECIMALS	FRACTIONS	ANGLES	
± .005	± 1/64	± 0°30'	
FINAL SURFACE QUALITY REMOVE BURRS AND BREAK SHARP CORNERS			
MATERIAL		FINISH	

QTY.	DESCRIPTION	PART NO.	ITEM NO.
PARTS LIST			

DRN. <i>James R. ...</i>	DATE 7-24-68	 <b>digital EQUIPMENT CORPORATION</b> <small>MAYNARD, MASSACHUSETTS</small>
CHK'D.	DATE	
ENG.	DATE	
PROJ. ENG.	DATE	
PROD.	DATE	<b>TIMING MANUAL</b> <b>FUNCTIONS RUN</b>
FIRST USED ON		SIZE CODE: <b>D BS</b> NUMBER: <b>8I-0-2</b>
E-UA-8I-0-0		REV. <b>Z</b>
SCALE	SHEET 2 OF 2	DIST.

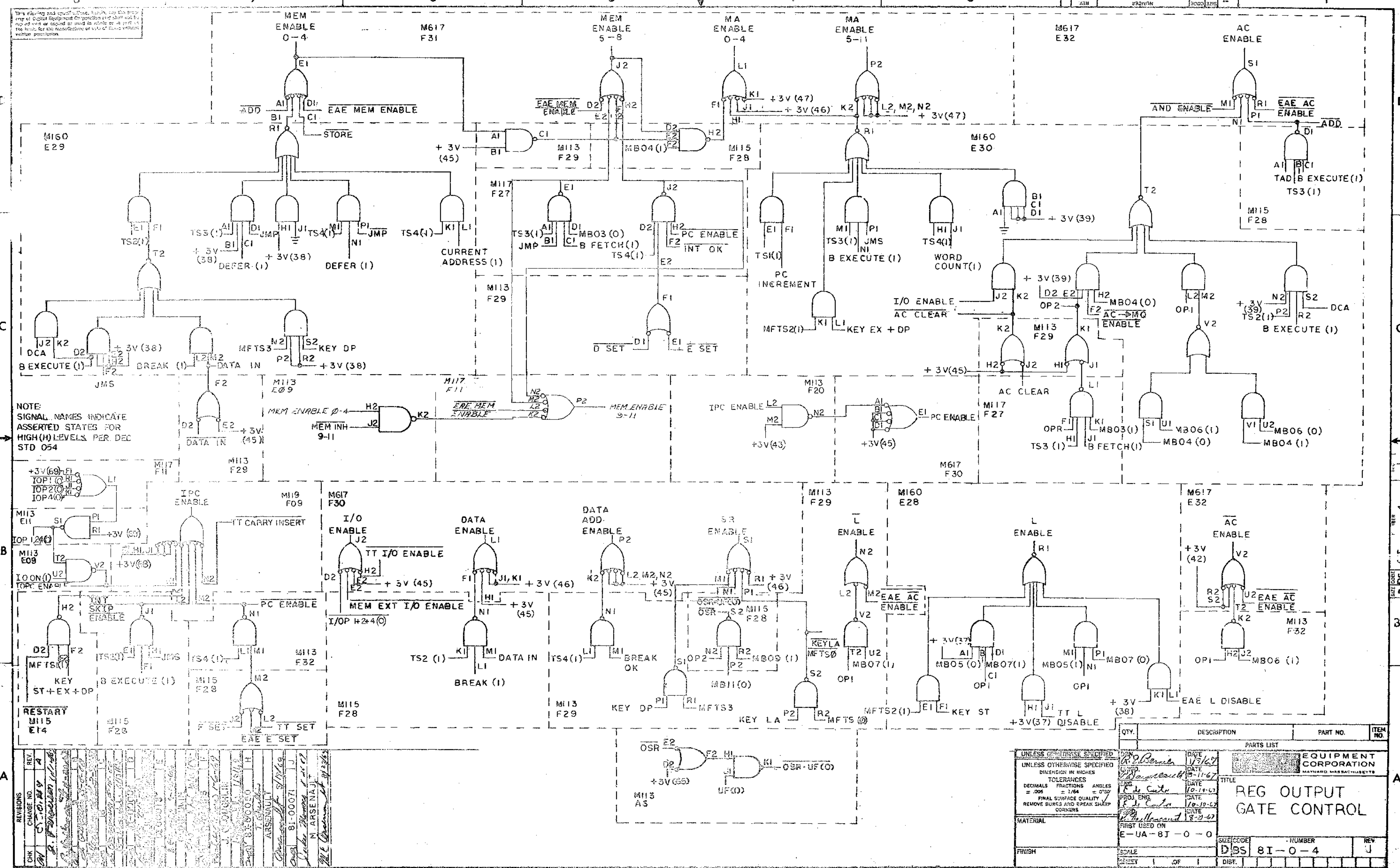
This drawing and specifications, herein, are the property of Digital Equipment Corporation and shall not be reproduced or copied in whole or in part as the basis for the manufacture or sale of items without written permission.



NOTE:  
SIGNAL NAMES INDICATE  
ASSERTED STATES FOR HIGH(H)  
LEVELS PER DEC STD 054

REV.	CHG. NO.	DATE	BY	CHK'D.	DATE
A	1	11/14/67	J. O'LOUGHLIN		
B	2	12-22-67	J. O'LOUGHLIN		
C	3	1-10-68	J. O'LOUGHLIN		
D	4	1-10-68	J. O'LOUGHLIN		
E	5	1-10-68	J. O'LOUGHLIN		
F	6	1-10-68	J. O'LOUGHLIN		
G	7	1-10-68	J. O'LOUGHLIN		
H	8	1-10-68	J. O'LOUGHLIN		
I	9	1-10-68	J. O'LOUGHLIN		
J	10	1-10-68	J. O'LOUGHLIN		

UNLESS OTHERWISE SPECIFIED	DRN	DATE	11/16/67
UNLESS OTHERWISE SPECIFIED	CHK'D.	DATE	11-1-67
DIMENSION IN INCHES	ENG.	DATE	10-1-67
TOLERANCES	PROJ. ENG.	DATE	10-1-67
DECIMALS = .005	PROD.	DATE	10-2-67
FRACTIONS = 1/64	FIRST USED ON		
ANGLES = 0°30'	E-JA-8I-0-0		
FINAL SURFACE QUALITY	SCALE		
REMOVE BURRS AND BREAK SHARP CORNERS	SHEET 1 OF 1		
MATERIAL	SIZE CODE	NUMBER	REV
	D	BS 8I-0-3	J
FINISH	DIST.		



NOTE:  
SIGNAL NAMES INDICATE  
ASSERTED STATES FOR  
HIGH (H) LEVELS PER DEC  
STD 054

REV	CHG	NO	DATE	BY	CHK
1	3	0	10-18-67	R. J. Coates	R. J. Coates
2	1	1	10-19-67	R. J. Coates	R. J. Coates
3	1	2	10-19-67	R. J. Coates	R. J. Coates
4	1	3	10-19-67	R. J. Coates	R. J. Coates

QTY.	DESCRIPTION	PART NO.	ITEM NO.																
	UNLESS OTHERWISE SPECIFIED DIMENSION IN INCHES TOLERANCES DECIMALS FRACTIONS ANGLES ± .005 ± 1/64 ± 0°30' FINAL SURFACE QUALITY REMOVE BURRS AND BREAK SHARP CORNERS																		
<table border="1"> <tr> <td>DATE</td> <td>10/18/67</td> </tr> <tr> <td>DATE</td> <td>10-11-67</td> </tr> <tr> <td>DATE</td> <td>10-19-67</td> </tr> <tr> <td>DATE</td> <td>10-19-67</td> </tr> <tr> <td>DATE</td> <td>8-2-67</td> </tr> </table>				DATE	10/18/67	DATE	10-11-67	DATE	10-19-67	DATE	10-19-67	DATE	8-2-67						
DATE	10/18/67																		
DATE	10-11-67																		
DATE	10-19-67																		
DATE	10-19-67																		
DATE	8-2-67																		
<table border="1"> <tr> <th colspan="2">PARTS LIST</th> <th colspan="2">EQUIPMENT CORPORATION MAYNARD, MASSACHUSETTS</th> </tr> <tr> <td colspan="4" style="text-align: center;">TITLE <b>REG OUTPUT GATE CONTROL</b></td> </tr> <tr> <td colspan="2">FIRST USED ON E-UA-8J-0-0</td> <td colspan="2">REV J</td> </tr> <tr> <td colspan="2">SCALE 1 OF 1</td> <td colspan="2">NUMBER DISP.</td> </tr> </table>				PARTS LIST		EQUIPMENT CORPORATION MAYNARD, MASSACHUSETTS		TITLE <b>REG OUTPUT GATE CONTROL</b>				FIRST USED ON E-UA-8J-0-0		REV J		SCALE 1 OF 1		NUMBER DISP.	
PARTS LIST		EQUIPMENT CORPORATION MAYNARD, MASSACHUSETTS																	
TITLE <b>REG OUTPUT GATE CONTROL</b>																			
FIRST USED ON E-UA-8J-0-0		REV J																	
SCALE 1 OF 1		NUMBER DISP.																	

This drawing and specifications, herein, are the property of Digital Equipment Corporation and shall not be reproduced or copied or used in whole or in part as the basis for the manufacture or sale of items without written permission.

D

D

C

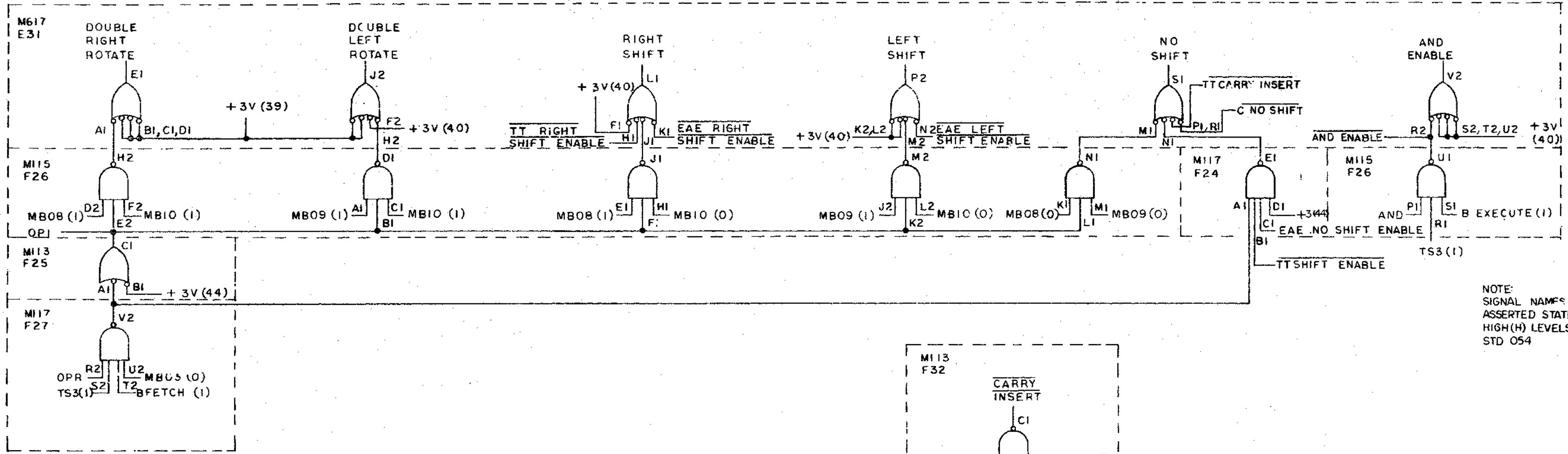
C

B

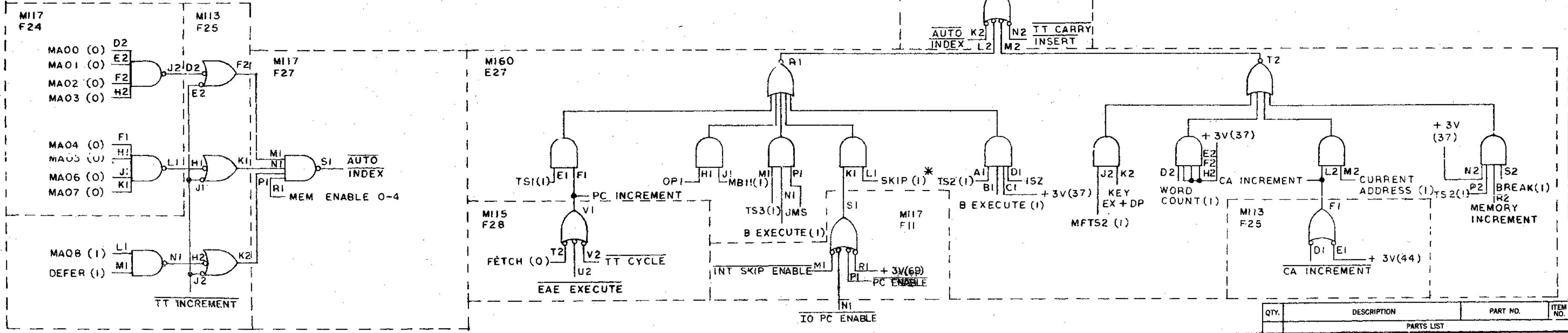
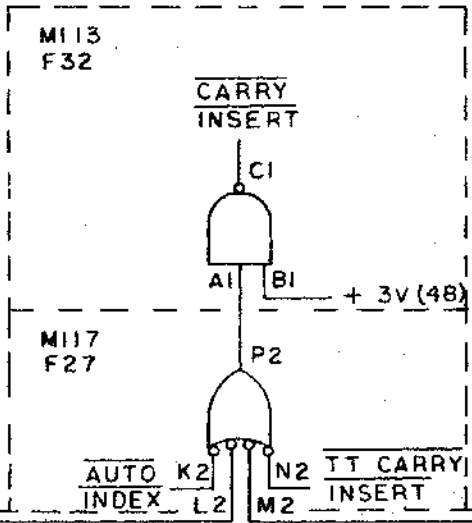
B

A

A



NOTE:  
SIGNAL NAMES INDICATE  
ASSERTED STATES FOR  
HIGH (H) LEVELS PER DEC  
STD 054



\*NOTE:  
IF A KT01 IS INSTALLED THIS  
BECOMES SKIP ORED. SEE  
OPTION JUMPERS 81-0-23

REV.	CHANGE NO.	DATE	BY	CHKD.
1	9/20/67			
2	9/22/67			
3	11/14/67			
4	12/22/67			
5	1/10/68			
6	1/10/68			
7	1/10/68			
8	1/10/68			

QTY.	DESCRIPTION	PART NO.	ITEM NO.

UNLESS OTHERWISE SPECIFIED		DATE	DATE
DRAWN	R.D. Bennett	11/16/67	11/16/67
CHKD.	R.D. Bennett	11/16/67	11/16/67
ENG.	R.D. Bennett	11/16/67	11/16/67
PROJ. ENG.	R.D. Bennett	11/16/67	11/16/67
PROD.	R.D. Bennett	11/16/67	11/16/67
FIRST USED ON	E-UA-81-0-0		

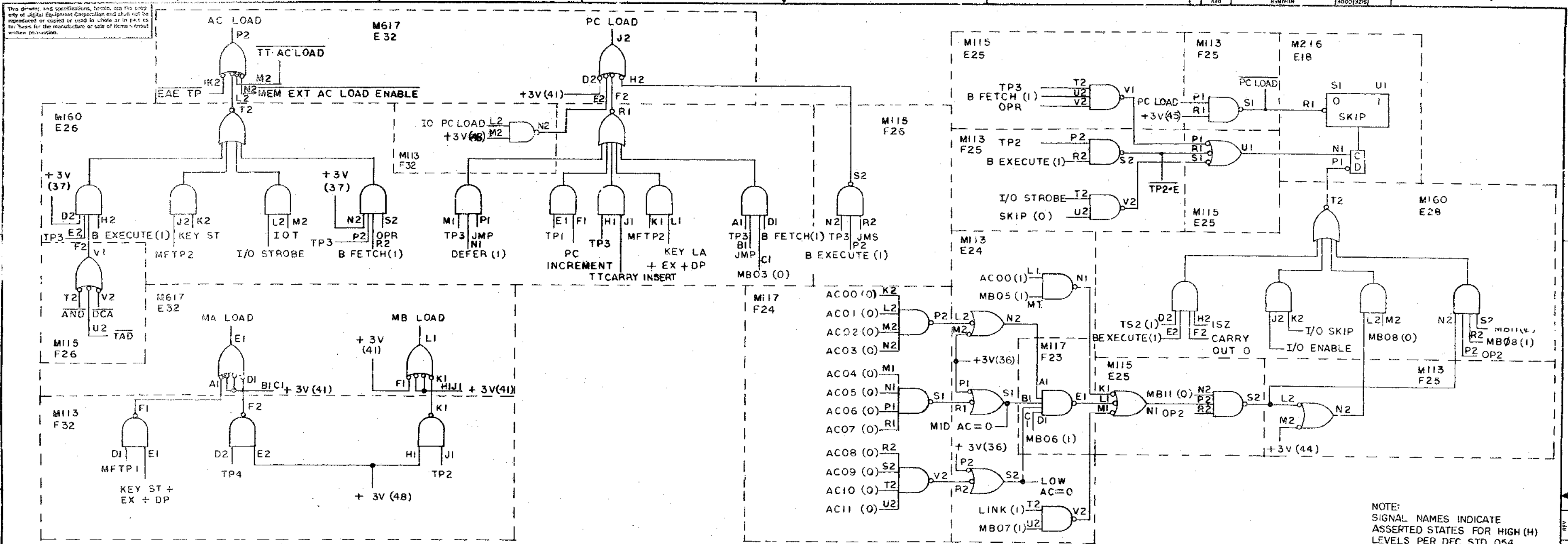
UNLESS OTHERWISE SPECIFIED	TOLERANCES IN INCHES
DECIMALS	FRACTIONS
± .005	± 1/64
	± .010
	FINAL SURFACE QUALITY
	REMOVE BURRS AND BREAK SHARP CORNERS

MATERIAL	FINISH

PARTS LIST		EQUIPMENT CORPORATION	
TITLE		MAYNARD, MASSACHUSETTS	
SHIFT & CARRY GATE CONTROL			
SIZE CODE	NUMBER	REV.	
DBS 81-0-5		H	
SHEET	OF	DIST.	
1	1		

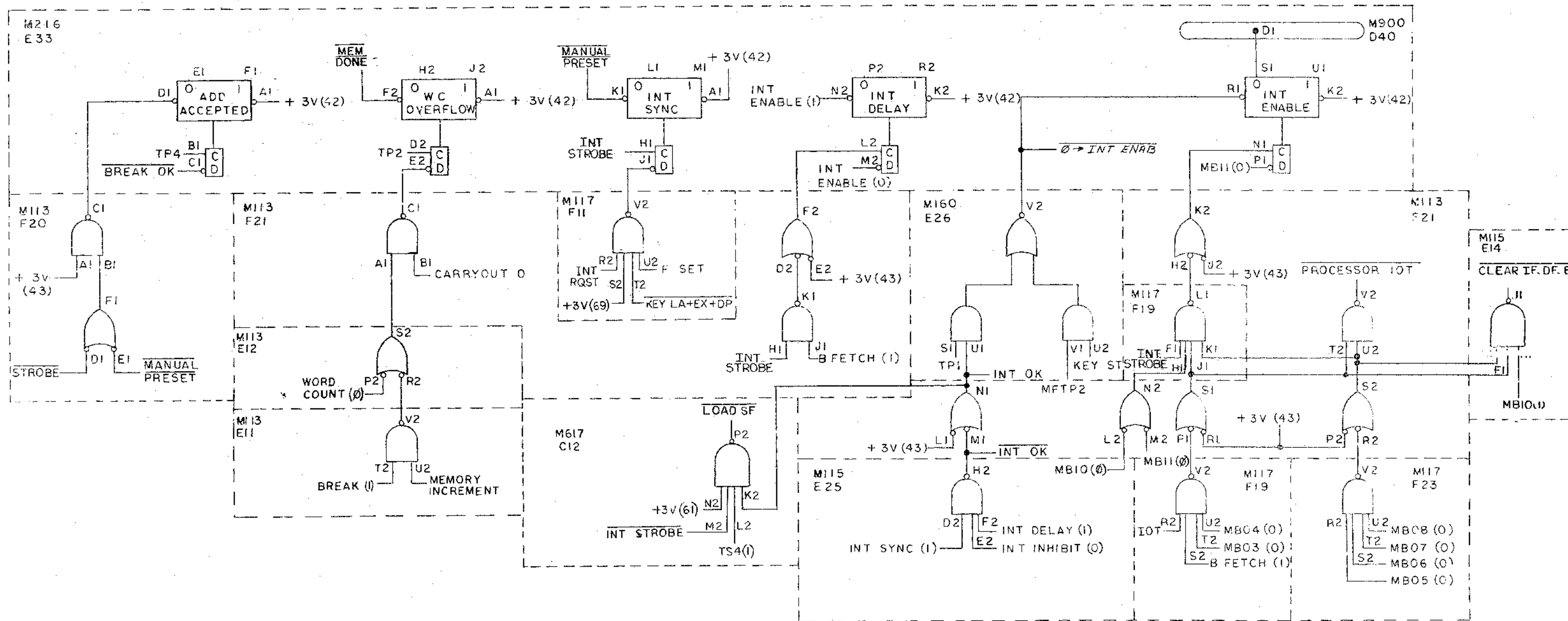


REV	CHG	NO.	DATE	BY	APP
1	ECO	9-5-67			
2					
3					
4					
5					
6					
7					
8					

QTY.	DESCRIPTION	PART NO.	ITEM NO.
PARTS LIST			
UNLESS OTHERWISE SPECIFIED			
DIMENSION IN INCHES			
TOLERANCES			
DECIMALS FRACTIONS ANGLES			
±.005 ± 1/64 ± 0°30'			
FINAL SURFACE QUALITY / REMOVE BURRS AND BREAK SHARP CORNERS			
MATERIAL			
FINISH			
UNLESS OTHERWISE SPECIFIED			
CHKD.	R. J. Berman	DATE	2/2/67
ENGR.	R. J. Berman	DATE	2/11/67
PROJ. ENG.	E. J. Carter	DATE	10-11-67
PROD.	E. J. Carter	DATE	12-10-67
FIRST USED ON	E-UA-81-0-0	DATE	7-21-67
SCALE		SHEET	1 OF 1
TITLE		SIZE/CODE	NUMBER
REG INPUT CONTROL & SKIP		DBS	81-0-6
DIST.		REV	H



This drawing and specifications herein are the property of Digital Equipment Corporation and shall not be reproduced or copied in whole or in part as the basis for the manufacture or sale of items without written permission.

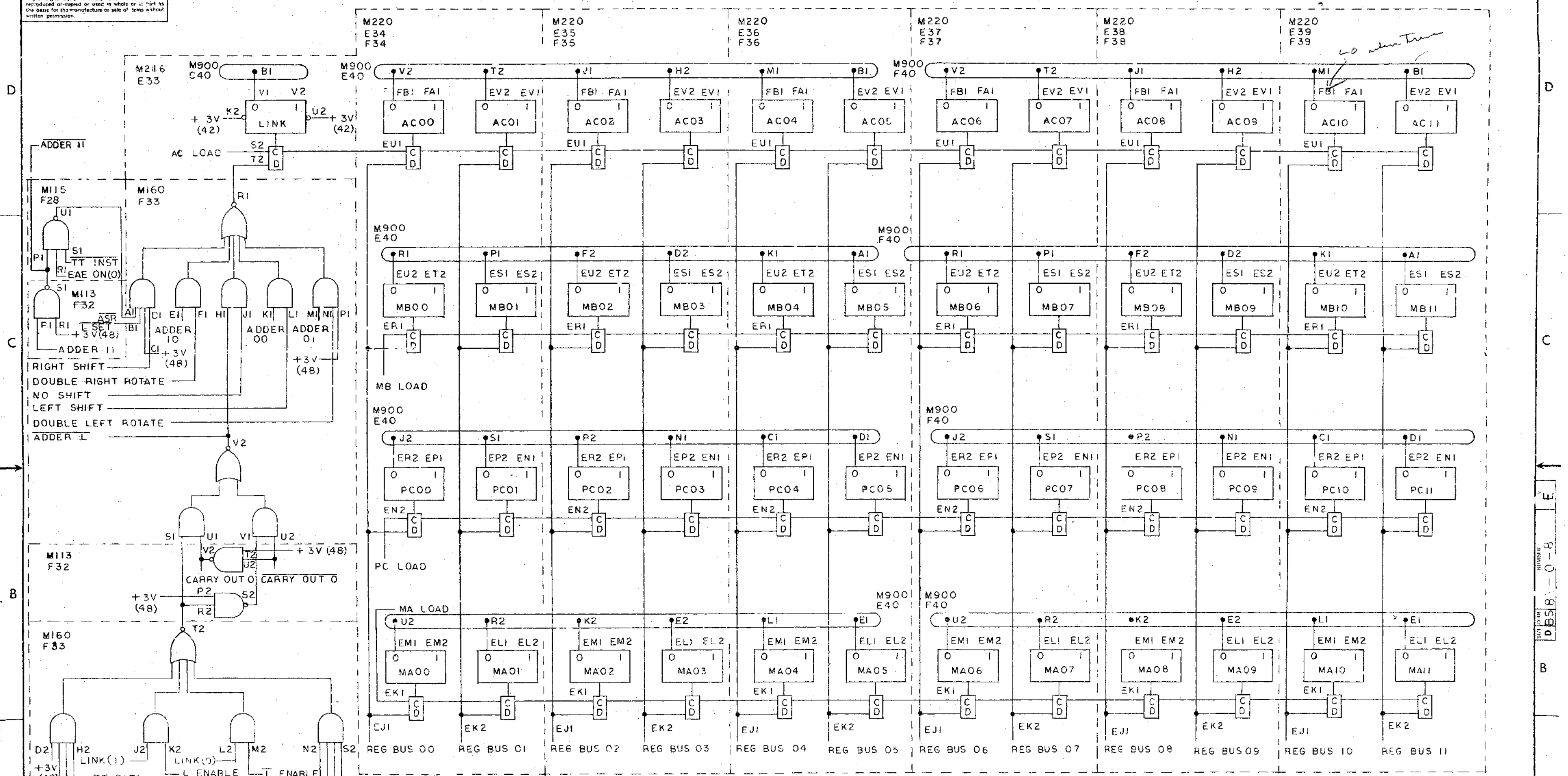


NOTE:  
SIGNAL NAMES INDICATE  
ASSERTED STATES FOR HIGH (H)  
LEVELS PER DEC STD 054

REV	CHG	NO	DATE	BY	REASON
1					
2					
3					
4					
5					
6					
7					
8					
9					
10					
11					
12					
13					
14					
15					
16					
17					
18					
19					
20					
21					
22					
23					
24					
25					
26					
27					
28					
29					
30					

QTY	DESCRIPTION	PART NO.	ITEM NO.
	PARTS LIST		
	<small>UNLESS OTHERWISE SPECIFIED</small> DIMENSION IN INCHES TOLERANCES DECIMALS FRACTIONS ANGLES = .005 = 1/64 = 0°30' FINAL SURFACE QUALITY REMOVE BURRS AND BREAK SHARP CORNERS MATERIAL FINISH SCALE SHEET 1 OF 1		
	DRN: R. J. Conner DATE: 2/12/67 CHY: R. J. Conner DATE: 2/12/67 ENG: C. S. Carter DATE: 10/19/66 PROJ. ENG: C. S. Carter DATE: 10/19/66 PRD: R. J. Conner DATE: 2/12/67 FIRST USED ON E-UA-BI-0-0 TITLE <b>INTERRUPT &amp; BREAK CONTROL</b> SIZE CODE: DIBS NUMBER: 81-0-7 DIST.		
	<b>DIGITAL EQUIPMENT CORPORATION</b> <small>MAYNARD MASSACHUSETTS</small>		

This drawing and specifications, herein, are the property of Digital Equipment Corporation and shall not be reproduced or used in whole or in part as the basis for the manufacture or sale of items without written permission.



NOTE: SIGNAL NAMES INDICATE ASSERTED STATES FOR HIGH (H) LEVELS PER DEC STD 054

REV.	CHG. NO.	DATE	BY	CHKD.
1	ECO 1-6-67		Berry Hill	
2				
3				
4				
5				
6				
7				
8				

QTY.	DESCRIPTION	PART NO.	ITEM NO.
	MAJOR REGISTERS	8I-0-8	E

UNLESS OTHERWISE SPECIFIED	DRN: R. Williams	DATE: 1/5/66
UNLESS OTHERWISE SPECIFIED	CHK'D: R. Williams	DATE: 1-11-67
DIMENSION IN INCHES	ENG: C. de Cante	DATE: 10-11-67
TOLERANCES	PROJ. ENG: P. de Cante	DATE: 10-11-67
DECIMALS FRACT ONS	PROD: R. Williams	DATE: 10-11-67
± .005 ± .004 ± .030	FIRST USED ON	
FINAL SURFACE QUALITY	E-UA-8I-0-0	
REMOVE BURRS AND BREAK SHARP CORNERS	SCALE	
	SHEET 1 OF 1	



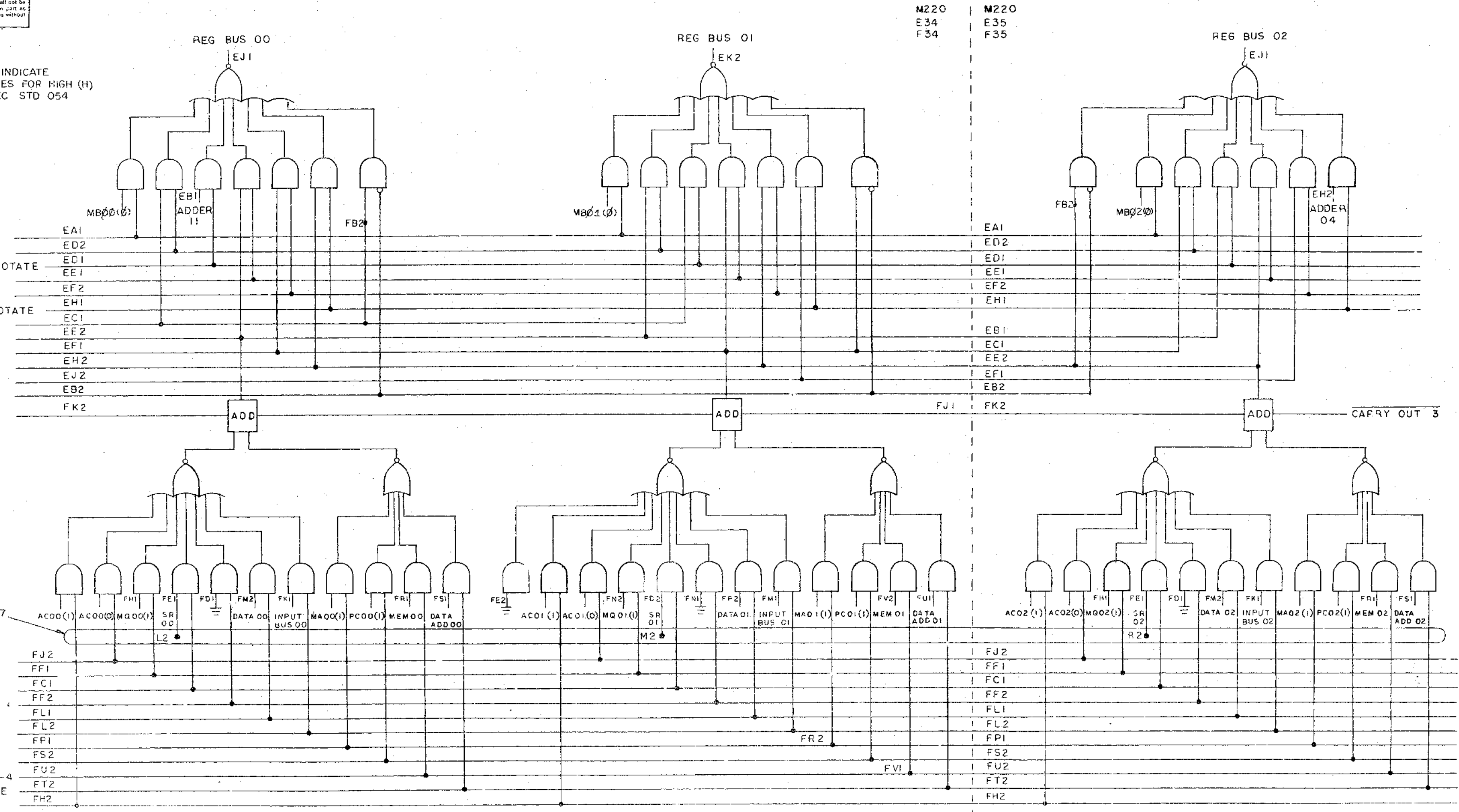
This drawing and specifications, herein, are the property of Digital Equipment Corporation. It shall not be reproduced or copied or used in whole or in part as the basis for the manufacture or sale of items without written permission.

NOTE:  
SIGNAL NAMES INDICATE  
ASSERTED STATES FOR HIGH (H)  
LEVELS PER DEC STD 054

AND ENABLE  
RIGHT SHIFT  
DOUBLE RIGHT ROTATE  
NO SHIFT  
LEFT SHIFT  
DOUBLE LEFT ROTATE  
ADDER 1  
ADDER 00  
ADDER 01  
ADDER 02  
ADDER 03  
TTL LINE SHIFT  
CARRY OUT 0

AC ENABLE  
MQ ENABLE  
SR ENABLE  
SC ENABLE  
DATA ENABLE  
I/O ENABLE  
MA ENABLE 0-4  
PC ENABLE  
MEM ENABLE 0-4  
DATA ADD ENABLE  
AC ENABLE

REV	CHG	NO	DATE	BY	APP
A	1	1	11/16/66	R. O'LOUGHLIN	
B	1	2	12/1/66	R. O'LOUGHLIN	
C	1	3	12/1/66	R. O'LOUGHLIN	
D	1	4	12/1/66	R. O'LOUGHLIN	
E	1	5	12/1/66	R. O'LOUGHLIN	



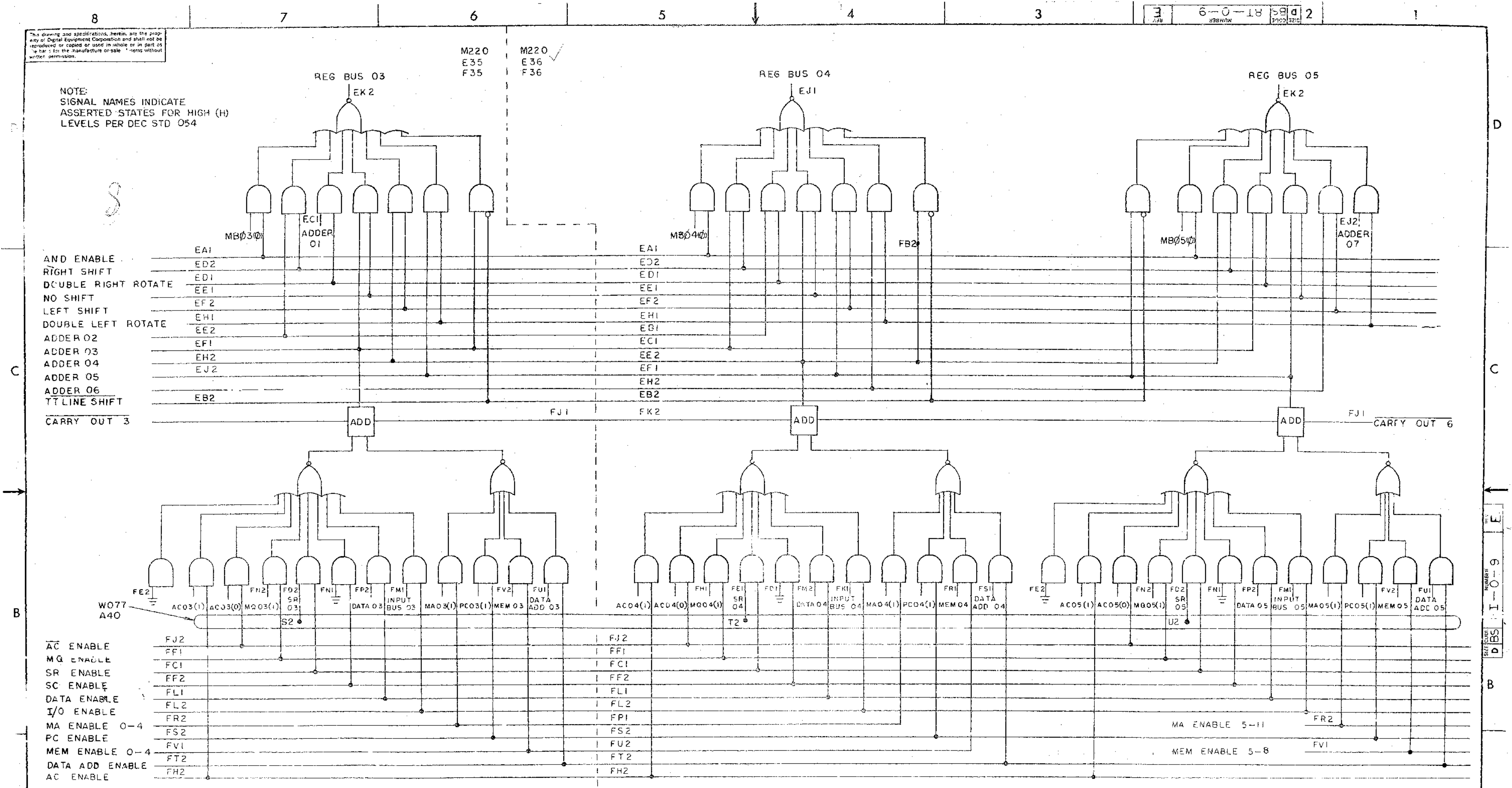
QTY.	DESCRIPTION	PART NO.	ITEM NO.
PARTS LIST			
UNLESS OTHERWISE SPECIFIED			
DIMENSION IN INCHES			
TOLERANCES			
DECIMALS	FRACTIONS	ANGLES	
± .005	± 1/64	± 0°30'	
FINAL SURFACE QUALITY			
REMOVE BURRS AND BREAK SHARP CORNERS			
MATERIAL			
FINISH			
DATE	1/3/66	DRAWN BY: R. O'LOUGHLIN	
DATE	6-1-67	CHK'D BY: R. O'LOUGHLIN	
DATE	12/1/66	ENG. BY: R. O'LOUGHLIN	
DATE	12/1/66	PROJ. ENG. BY: R. O'LOUGHLIN	
DATE	12/1/66	PROD. BY: R. O'LOUGHLIN	
FIRST USED ON			
E-UA-81-0-0			
SCALE	1 OF 4	TITLE	
SHEET		MAJOR REGISTER GATING	
DIST.		SIZE CODE	NUMBER
DIST.		DBS	81-0-9
REV		E	

This drawing and specifications, herein, are the property of Digital Equipment Corporation and shall not be reproduced or copied or used in whole or in part as a basis for the manufacture of parts without written permission.

NOTE:  
SIGNAL NAMES INDICATE  
ASSERTED STATES FOR HIGH (H)  
LEVELS PER DEC STD 054

M220  
E35  
F35

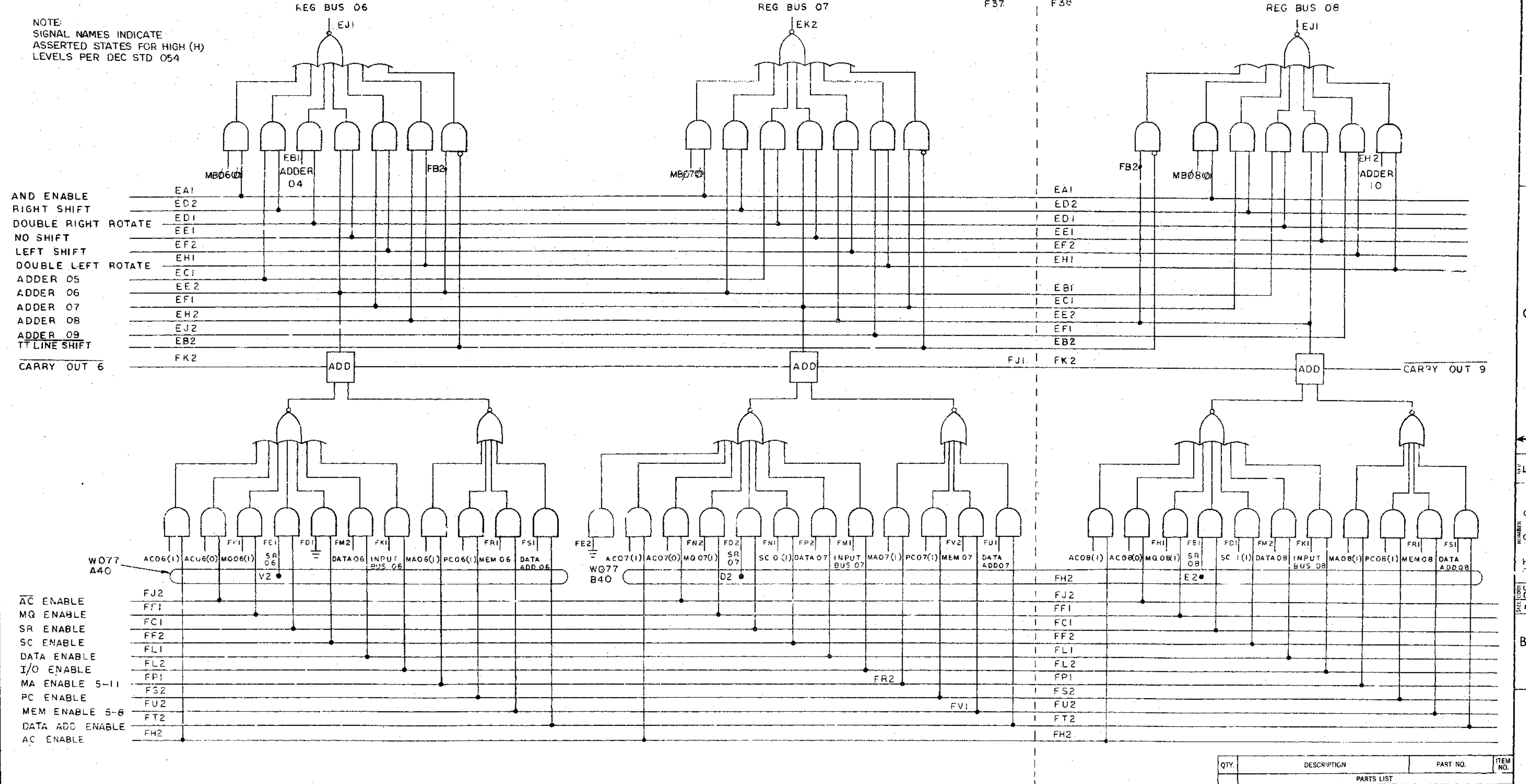
M220  
E36  
F36



REV.	CHANGE NO.

UNLESS OTHERWISE SPECIFIED DIMENSION IN INCHES TOLERANCES DECIMALS FRACTIONS ANGLES ± .005 ± 1/64 ± 0°30'	UNLESS OTHERWISE SPECIFIED DATE 1/15/66 CHK'D. [Signature] DATE 1-15-66 ENG. [Signature] DATE 1-15-66 PROJ. ENG. [Signature] DATE 1-15-66 PROD. [Signature] DATE 1-21-66	DATE 1/15/66 DATE 1-15-66 DATE 1-15-66 DATE 1-21-66	<table border="1"> <tr> <th>QTY.</th> <th>DESCRIPTION</th> <th>PART NO.</th> <th>ITEM NO.</th> </tr> <tr> <td> </td> <td> </td> <td> </td> <td> </td> </tr> </table>	QTY.	DESCRIPTION	PART NO.	ITEM NO.				
QTY.	DESCRIPTION	PART NO.	ITEM NO.								
<table border="1"> <tr> <td>                 DECIMALS FRACTIONS ANGLES                  ± .005 ± 1/64 ± 0°30'                  FINAL SURFACE QUALITY                  REMOVE BURRS AND BREAK SHARP CORNERS             </td> <td>                 TITLE  <b>MAJOR REGISTER GATING</b> </td> </tr> </table>		DECIMALS FRACTIONS ANGLES ± .005 ± 1/64 ± 0°30' FINAL SURFACE QUALITY REMOVE BURRS AND BREAK SHARP CORNERS	TITLE <b>MAJOR REGISTER GATING</b>	PARTS LIST EQUIPMENT CORPORATION MAYNARD, MASSACHUSETTS	SCALE SHEET 2 OF 4						
DECIMALS FRACTIONS ANGLES ± .005 ± 1/64 ± 0°30' FINAL SURFACE QUALITY REMOVE BURRS AND BREAK SHARP CORNERS	TITLE <b>MAJOR REGISTER GATING</b>										
MATERIAL FINISH		FIRST USED ON E-JA-8I-0-0	SIZE CODE DIST.								

This drawing and specifications, herein, are the property of Digital Equipment Corporation and shall not be reproduced or copied or used in whole or in part as the basis for the manufacture or sale of items without written permission.



REV.	CHG.	NO.

QTY.	DESCRIPTION	PART NO.	ITEM NO.

UNLESS OTHERWISE SPECIFIED:  
 DIMENSION IN INCHES  
 TOLERANCES  
 DECIMALS FRACTIONS ANGLES  
 ± .005 ± 1/64 ± 0°30'  
 FINAL SURFACE QUALITY  
 REMOVE BURRS AND BREAK SHARP CORNERS

DATE 1/15/66  
 DATE 9-11-65  
 DATE 12-10-67  
 DATE 10-10-67  
 DATE 8-21-67

DRN: R.D. Berman  
 CHK'D: [Signature]  
 ENG: [Signature]  
 PROJ. ENG: [Signature]  
 PROD: [Signature]

FIRST USED ON  
 E-UA-8I-0-0

SCALE  
 SHEET 3 OF 4

digital EQUIPMENT CORPORATION  
 MAYNARD, MASSACHUSETTS

TITLE  
**MAJOR REGISTER GATING**

SIZE CODE NUMBER REF.  
 DBS 8I-0-9 E

This drawing and specifications, herein, are the property of Digital Equipment Corporation and shall not be reproduced or copied or used in whole or in part as a basis for the manufacture or sale of items without written permission.

NOTE:  
SIGNAL NAMES INDICATE  
ASSERTED STATES FOR HIGH (H)  
LEVELS PER DEC STD 054

REG BUS 09

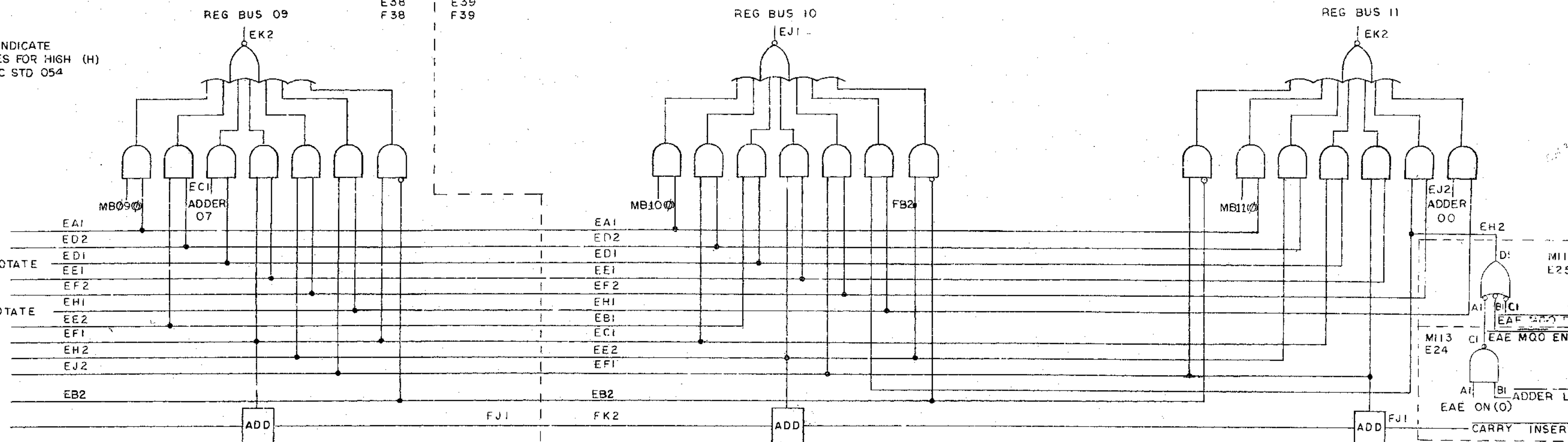
M220  
E38  
F38

M220  
E39  
F39

REG BUS 10

REG BUS 11

AND ENABLE  
RIGHT SHIFT  
DOUBLE RIGHT ROTATE  
NO SHIFT  
LEFT SHIFT  
DOUBLE LEFT ROTATE  
ADDER 08  
ADDER 09  
ADDER 10  
ADDER 11  
TT LINE SHIFT  
CARRY OUT 9



AC ENABLE  
MQ ENABLE  
SR ENABLE  
SC ENABLE  
DATA ENABLE  
I/O ENABLE  
MA ENABLE 5-11  
PC ENABLE  
MEM ENABLE 9-11  
DATA ADD ENABLE  
AC ENABLE

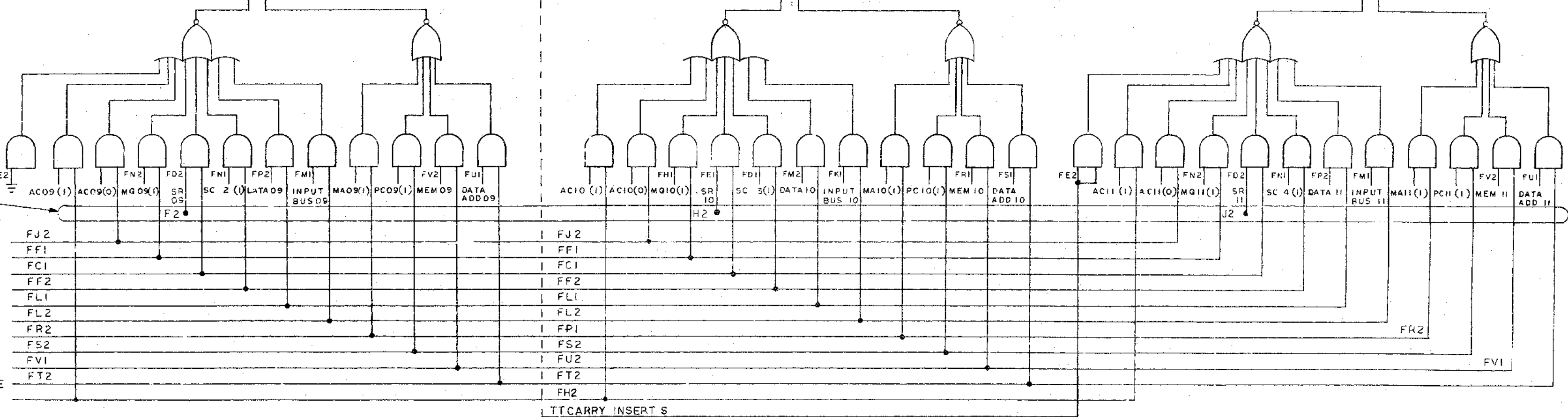
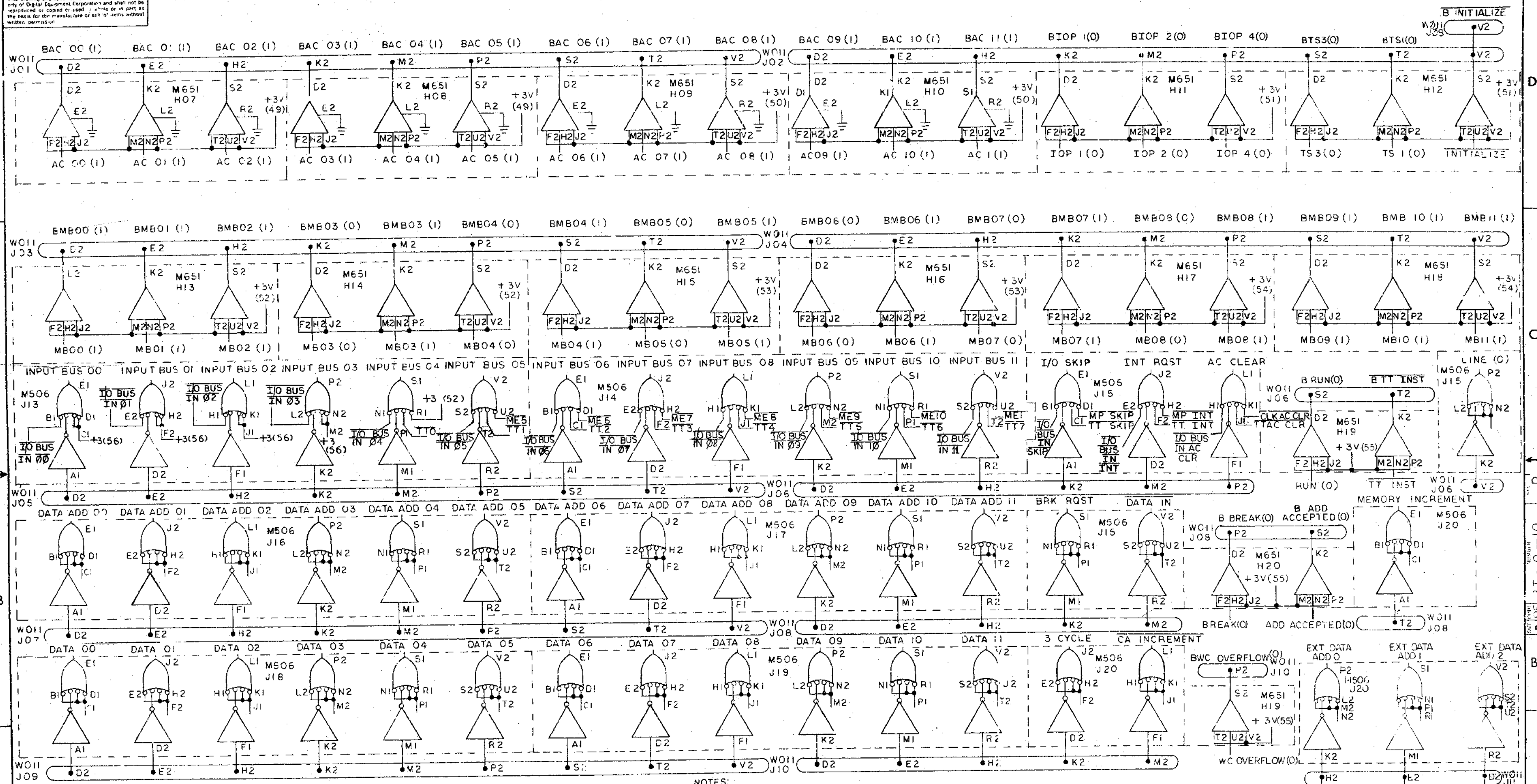


Table with columns for REVISIONS, CHANGE NO., and REV. The table is currently empty.

QTY.	DESCRIPTION	PART NO.	ITEM NO.
	UNLESS OTHERWISE SPECIFIED DIMENSION IN INCHES TOLERANCES DECIMALS FRACTIONS ANGLES = .005 = 1/64 = 0'30" FINAL SURFACE QUALITY REMOVE BURRS AND BREAK SHARP CORNERS	PARTS LIST	
	DATE 1/5/67 CHK'D. DATE 12-11-67 ENG. DATE 10-15-67 PROJ. ENG. DATE 12-15-67 PROD. DATE 12-15-67	digital EQUIPMENT CORPORATION MAYNARD, MASSACHUSETTS	
	MATERIAL	TITLE MAJOR REGISTER GATING	
	FINISH	FIRST USED ON E-UA-81-0-0	
	SCALE SHEET 4 OF 4	SIZE CODE D B5 81-0-9	
		NUMBER REV E	

This drawing and specifications herein are the property of Digital Equipment Corporation and shall not be reproduced or copied in whole or in part as the basis for the manufacture of any items without written permission.



NOTES:  
 1. FOR KA8I SUBSTITUTE  
 D-BS-KA8I-0-1 FOR THIS PRINT  
 2. SIGNAL NAMES INDICATE ASSERTED STATES FOR HIGH (H) LEVELS PER DEC. STD 054

REV.	NO.	DATE	BY	CHKD.
1	1	11/16/68	J. O'LOUGHLIN	M. ARSENAULT
2	1	11/16/68	J. O'LOUGHLIN	M. ARSENAULT
3	1	11/16/68	J. O'LOUGHLIN	M. ARSENAULT
4	1	11/16/68	J. O'LOUGHLIN	M. ARSENAULT
5	1	11/16/68	J. O'LOUGHLIN	M. ARSENAULT
6	1	11/16/68	J. O'LOUGHLIN	M. ARSENAULT
7	1	11/16/68	J. O'LOUGHLIN	M. ARSENAULT
8	1	11/16/68	J. O'LOUGHLIN	M. ARSENAULT

UNLESS OTHERWISE SPECIFIED DIMENSION IN INCHES TOLERANCES DECIMALS FRACTIONS ANGLES = .005 = 1/64 = 0.030 FINAL SURFACE QUALITY REMOVE BURRS AND BREAK SHARP CORNERS	DRN CHKD. ENG. PROJ. ENG. PRD.	DATE DATE DATE DATE DATE	 <b>I/O LEVEL CONVERTERS</b>
MATERIAL	FIRST USED ON E-UA-8I-0-0	SIZE CODE DIBS 8I-0-10	NUMBER P
FINISH	SCALE SHEET OF		

This drawing and specifications, herein, are the property of Digital Equipment Corporation and shall not be reproduced or copied or used in whole or in part as the basis for the manufacture or sale of items without written permission.

NOTE: SIGNAL NAMES INDICATE ASSERTED STATES FOR HIGH (H) LEVELS PER DEC STD 054

D

C

B

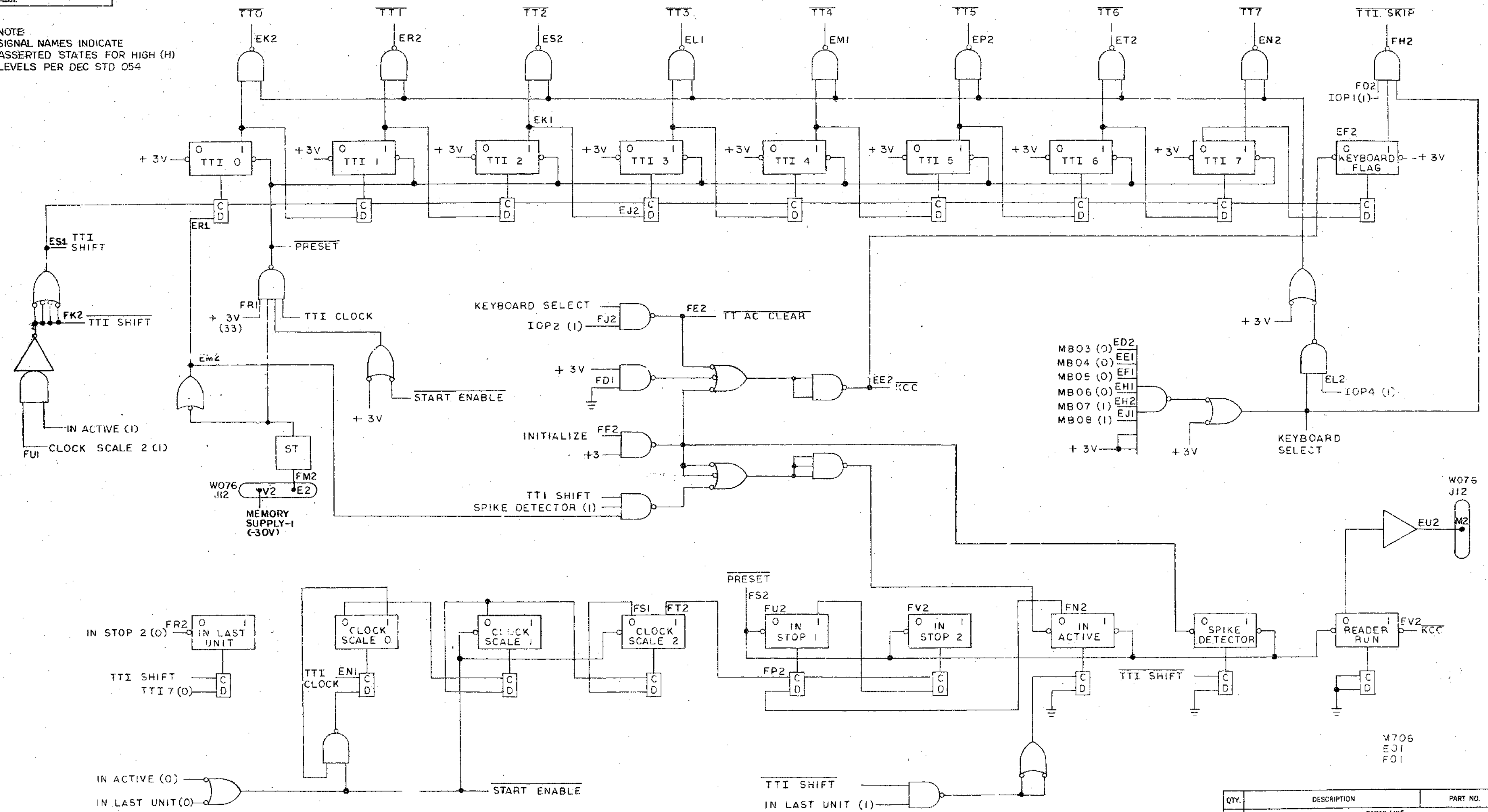
A

D

C

B

A



REV.	CHG.	NO.	DATE	BY
1	A	5	12-22-67	R. J. Costa
2	B	1	1-19-68	R. J. Costa
3	C	1	2-19-68	R. J. Costa
4	D	1	3-15-68	R. J. Costa

QTY.	DESCRIPTION	PART NO.	ITEM NO.
	PARTS LIST		
	UNLESS OTHERWISE SPECIFIED		
	DIMENSION IN INCHES		
	TOLERANCES		
	DECIMALS FRACTIONS ANGLES		
	± .005 ± 1/64 ± 0°30'		
	FINAL SURFACE QUALITY		
	REMOVE BURRS AND BREAK SHARP CORNERS		
MATERIAL		DATE	DATE
FINISH		DATE	DATE
FIRST USED ON		DATE	DATE
E-UA-81-0-0		12-22-67	1-19-68
SCALE	SIZE CODE	NUMBER	REV
SHEET 1 OF 1	D8S81-0-11		D

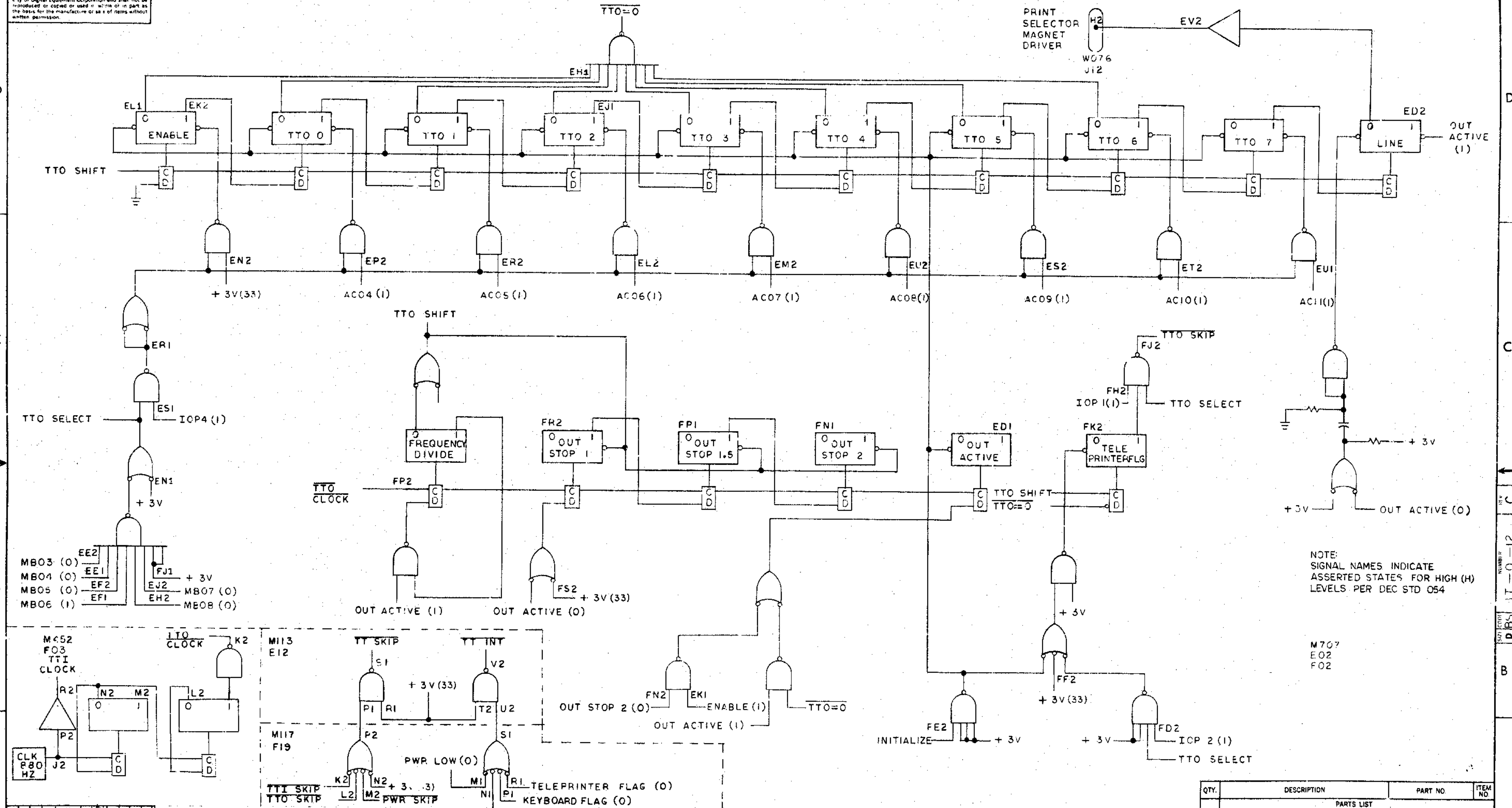
REV. 11-0-11

B

A



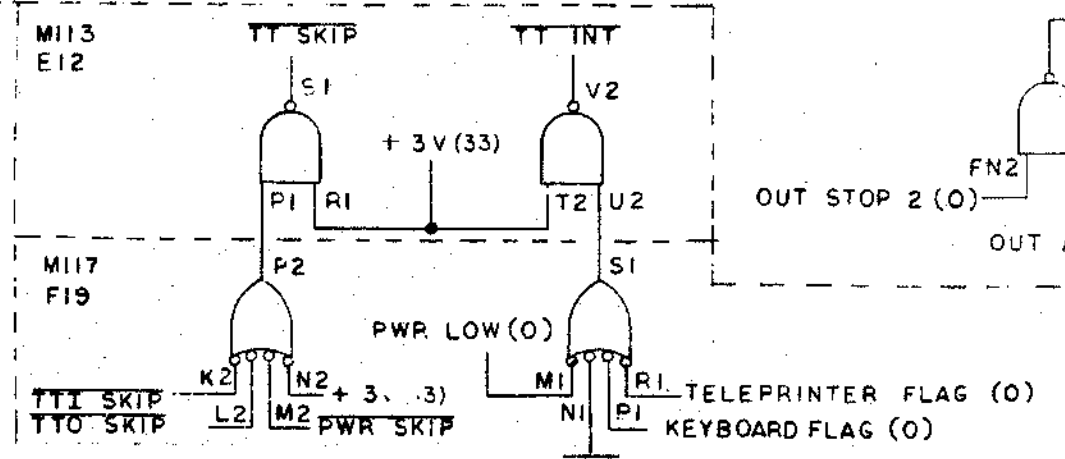
This drawing and specifications herein are the property of Digital Equipment Corporation and shall not be reproduced or copied or used in whole or in part as the basis for the manufacture of any items without written permission.



NOTE:  
 SIGNAL NAMES INDICATE  
 ASSERTED STATES FOR HIGH (H)  
 LEVELS PER DEC STD 054

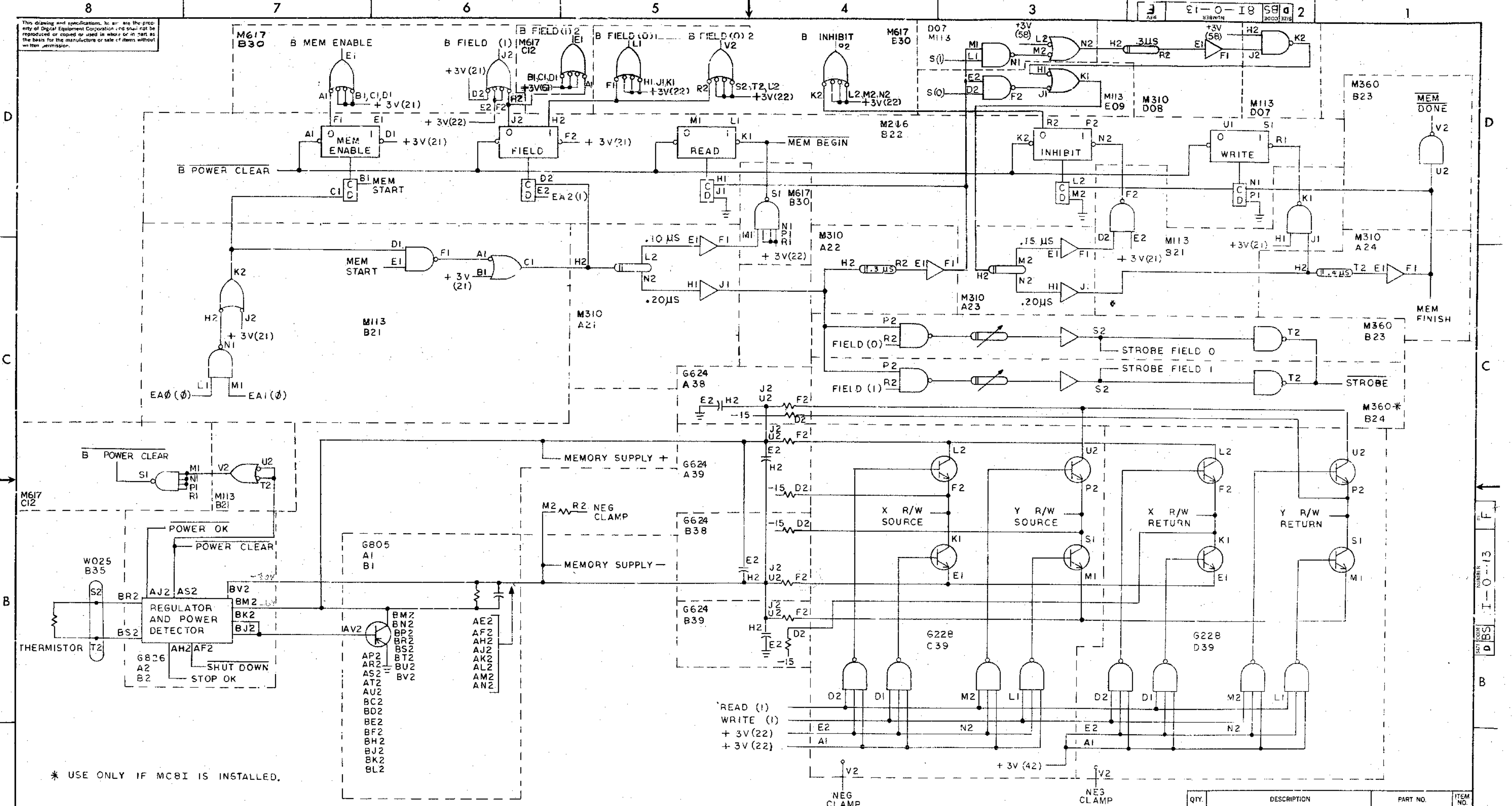
M707  
 E02  
 F02

REV.	CHANGE NO.	DATE	BY
A	1	11/14/67	J. O'LOUGHLIN
B	2	11-20-67	J. O'LOUGHLIN
C	3	12-12-68	J. O'LOUGHLIN
D	4	1-16-69	J. O'LOUGHLIN
E	5	1-19-69	J. O'LOUGHLIN



QTY.	DESCRIPTION	PART NO.	ITEM NO.
	PARTS LIST		
	UNLESS OTHERWISE SPECIFIED		
	UNLESS OTHERWISE SPECIFIED		
	DIMENSION IN INCHES		
	TOLERANCES		
	DECIMALS	FRACTIONS	ANGLES
	± .005	± 1/64	± 0°30'
	FINAL SURFACE QUALITY		
	REMOVE BURRS AND BREAK SHARP CORNERS		
	MATERIAL		
	FINISH		
	DRN. DATE		
	CHK'D. DATE		
	ENG. DATE		
	PROJ. ENG. DATE		
	PROP. DATE		
	FIRST USED ON		
	E-UA-81-0-0		
	TITLE		
	TELETYPE TRANSMITTER		
	SCALE	NUMBER	REV.
	SHEET 1 OF 1	DBS 81-0-12	C

This drawing and specifications, in all, are the property of Digital Equipment Corporation and shall not be reproduced or copied or used in whole or in part as the basis for the manufacture or sale of items without written permission.



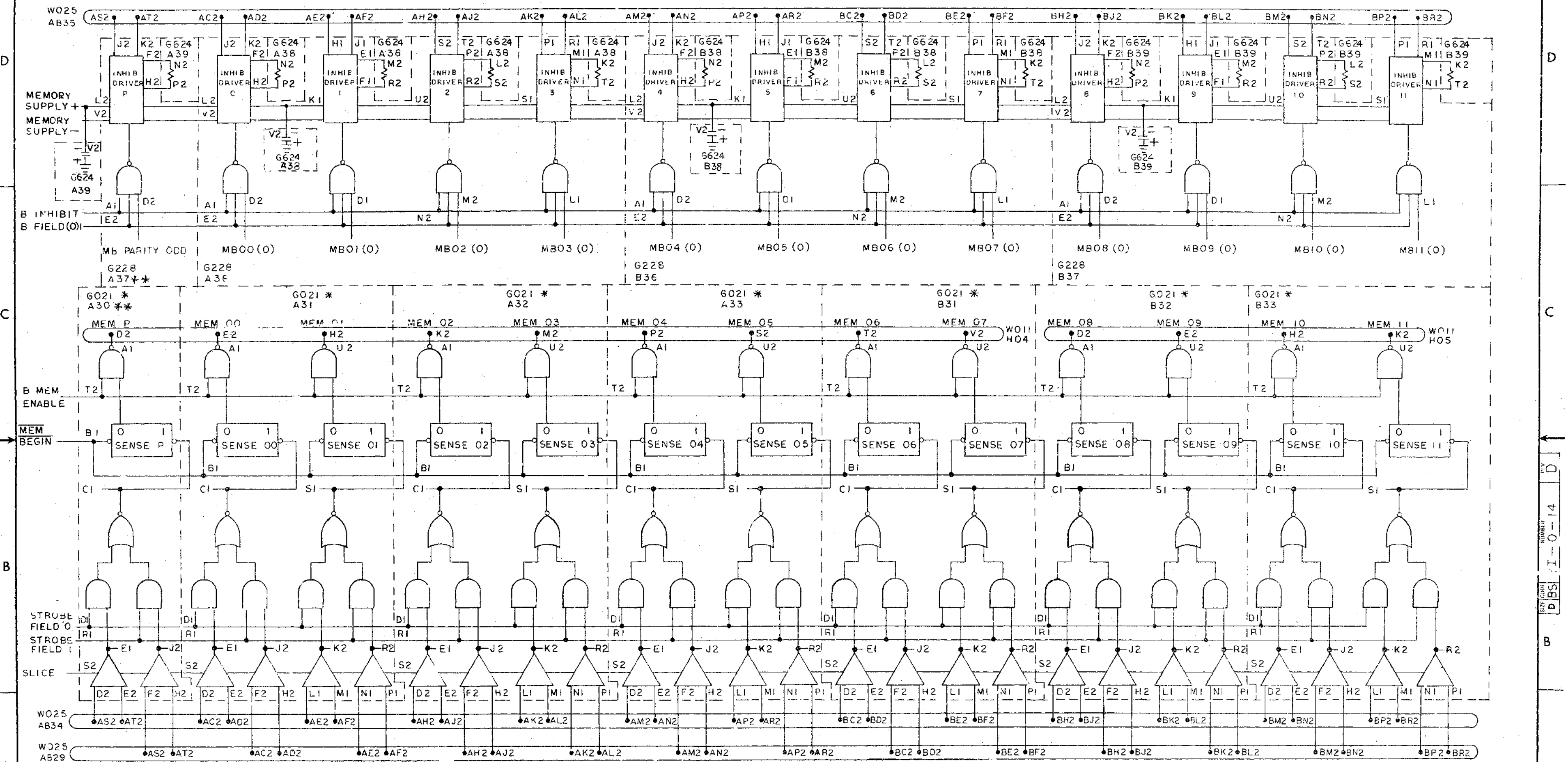
\* USE ONLY IF MC8I IS INSTALLED.

REV	NO.	DATE	BY	CHK
1	1	11/16/67	J. E. O'LOUGHLIN	
2	2	12/11/67	J. E. O'LOUGHLIN	
3	3	1/10/68	J. E. O'LOUGHLIN	
4	4	1/10/68	J. E. O'LOUGHLIN	
5	5	1/10/68	J. E. O'LOUGHLIN	
6	6	1/10/68	J. E. O'LOUGHLIN	
7	7	1/10/68	J. E. O'LOUGHLIN	
8	8	1/10/68	J. E. O'LOUGHLIN	

NOTE:  
SIGNAL NAMES INDICATE  
ASSERTED STATES FOR HIGH(+) LEVELS PER DEC STD 054

QTY.	DESCRIPTION	PART NO.	ITEM NO.
PARTS LIST			
UNLESS OTHERWISE SPECIFIED			
DIMENSION IN INCHES			
TOLERANCES			
DECIMALS FRACTIONS ANGLES			
= .005 = 1/64 = 0°30'			
FINAL SURFACE QUALITY			
REMOVE BURRS AND BREAK SHARP CORNERS			
MATERIAL			
FINISH			
DATE 1/10/68			
DRAWN BY J. E. O'LOUGHLIN			
CHECKED BY J. E. O'LOUGHLIN			
DATE 1/10/68			
PROJECT NO. 81-0-13			
FIRST USED ON E-UA-8I-0-0			
SCALE			
SHEET 1 OF 1			
digital EQUIPMENT CORPORATION			
MEMORY CONTROL			
SIZE CODE		NUMBER	REV.
D BS		81-0-13	F

This drawing and specifications herein are the property of Digital Equipment Corporation and shall not be reproduced or copied or used in whole or in part as the basis for the manufacture or sale of items without written permission.



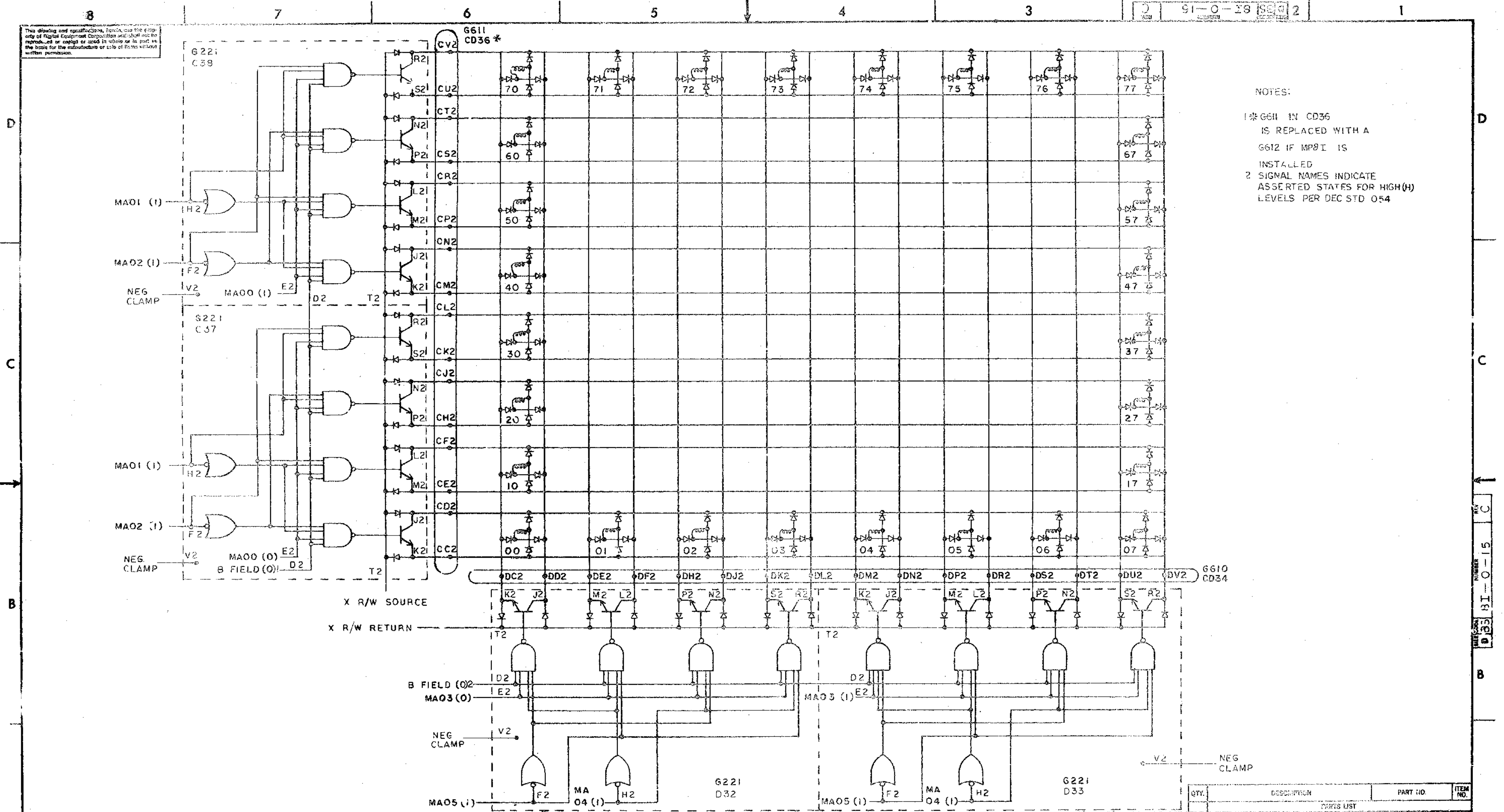
\* \* \* USED WITH MP81  
 \* USE G020 ONLY IF MCRI IS NOT INSTALLED

REV.	NO.	DATE	BY	CHKD.
A	1	11/16/67	B. Bernier	
B	2	3-11-68	E. J. Conner	
C	3	10-10-67	E. J. Conner	
D	4	10-10-67	E. J. Conner	
E	5	10-10-67	E. J. Conner	
F	6	10-10-67	E. J. Conner	
G	7	10-10-67	E. J. Conner	
H	8	10-10-67	E. J. Conner	
I	9	10-10-67	E. J. Conner	
J	10	10-10-67	E. J. Conner	
K	11	10-10-67	E. J. Conner	
L	12	10-10-67	E. J. Conner	

NOTE:  
 SIGNAL NAMES INDICATE  
 ASSERTED STATES FOR  
 HIGH(H) LEVELS PER DEC  
 STD 054

UNLESS OTHERWISE SPECIFIED DIMENSION IN INCHES		DATE: 11/16/67		DIGITAL EQUIPMENT CORPORATION MAYNARD, MASSACHUSETTS
TOLERANCES DECIMALS FRACTIONS ANGLES = .005 = 1/64 = 0.031°		DATE: 3-11-68		
FINAL SURFACE QUALITY: REMOVE BURRS AND BREAK SHARP CORNERS		DATE: 10-10-67		TITLE <b>SENSE AMPS &amp; INHIBIT DRIVERS</b>
MATERIAL		DATE: 10-10-67		
FINISH		FIRST USED ON E-UA-81-0-0		SIZE CODE D
SHEET 1 OF 1		SCALE		NUMBER 81-0-14
		DIST.		REV. D

This drawing and specifications, herein, are the property of Digital Equipment Corporation and shall not be reproduced, in whole or in part, without the written permission of Digital Equipment Corporation.



NOTES:  
 1 \* 6611 IN CD36 IS REPLACED WITH A 6612 IF MP81 IS INSTALLED  
 2 SIGNAL NAMES INDICATE ASSERTED STATES FOR HIGH (H) LEVELS PER DEC STD 054

REV	DATE	BY	CHKD	DESCRIPTION
A	11-11-67	C.C.C. NY	J.F. O'LOUGHLIN	INITIALS
B	11-11-67	C.C.C. NY	J.F. O'LOUGHLIN	INITIALS
C	11-11-67	C.C.C. NY	J.F. O'LOUGHLIN	INITIALS

UNLESS OTHERWISE SPECIFIED DIMENSIONS IN INCHES DECIMALS FRACTIONS ANGLES .025 .005 .005 FINAL SURFACE QUALITY REMOVE BURRS AND BREAK SHARP CORNERS		EQUIPMENT CORPORATION MAYNARD, MASSACHUSETTS	
TITLE X AXIS SELECTION		PART NO. 91-0-15	
REV. C		ITEM NO.	

REV. C  
NUMBER 91-0-15

This drawing and specifications, hereinafter referred to as the program of Digital Equipment Corporation and shall not be reproduced or copied in whole or in part as the basis for the manufacture or sale of items without written permission.

NOTES:

- 1. \*G611 IN CD36 IS REPLACED WITH A G612 IF MP81 IS INSTALLED
- 2. SIGNAL NAMES INDICATE ASSERTED STATES FOR HIGH (H) LEVELS PER DEC STD 054

D

C

B

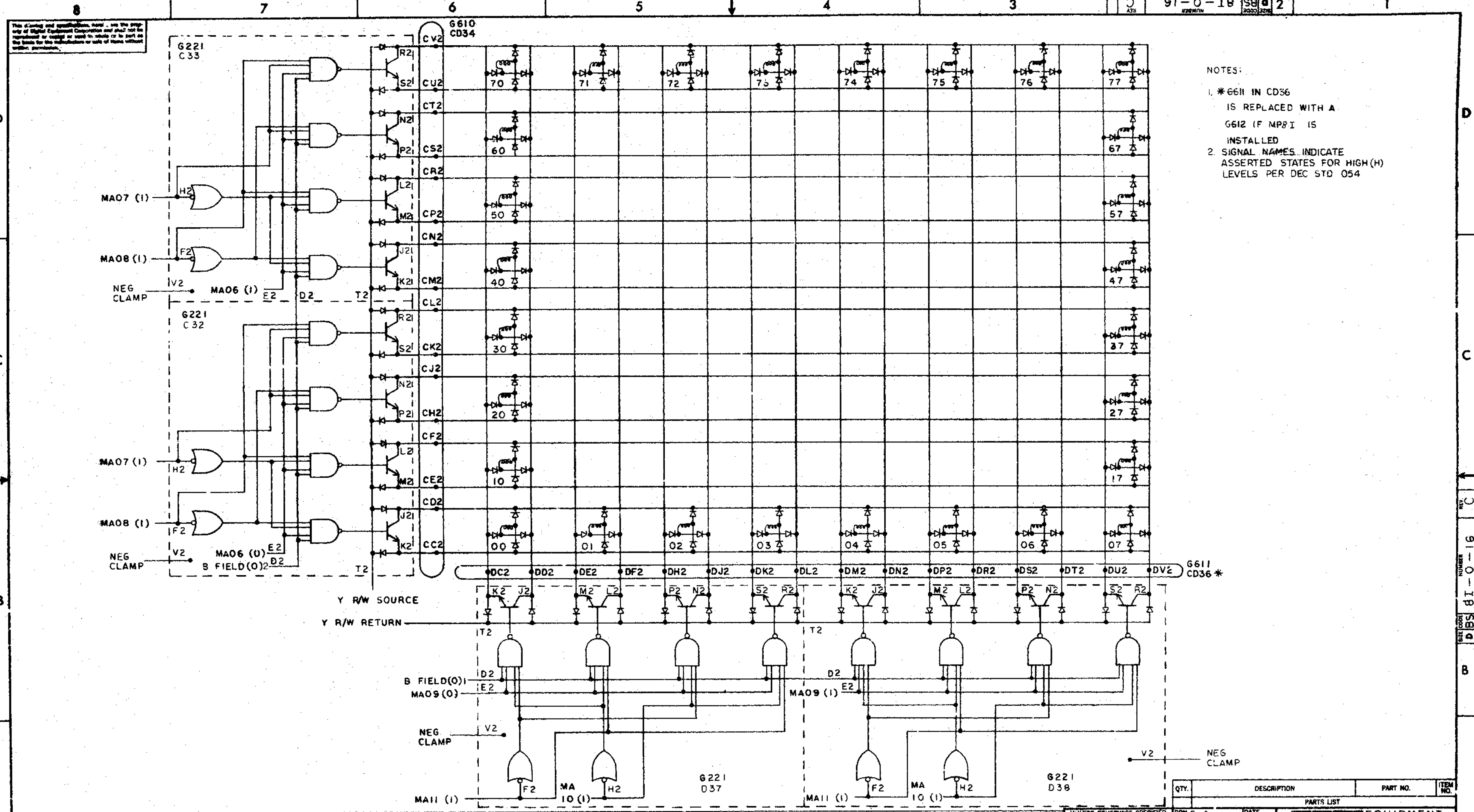
A

D

C

B

A



REV	CHANGED BY	DATE
1	J.F. O'LOUGHLIN	11/14/67
2	J.F. O'LOUGHLIN	11/14/67
3	J.F. O'LOUGHLIN	11/14/67
4	J.F. O'LOUGHLIN	11/14/67
5	J.F. O'LOUGHLIN	11/14/67
6	J.F. O'LOUGHLIN	11/14/67
7	J.F. O'LOUGHLIN	11/14/67
8	J.F. O'LOUGHLIN	11/14/67

QTY.	DESCRIPTION	PART NO.	ITEM NO.

UNLESS OTHERWISE SPECIFIED DIMENSION IN INCHES TOLERANCES DECIMALS FRACTIONS ANGLES ± .005 ± 1/64 ± 0°30'	DATE: 12/11/67 DATE: 12/11/67 DATE: 12/11/67 DATE: 12/11/67 DATE: 12/11/67 DATE: 12/11/67 DATE: 12/11/67
MATERIAL	DATE: 12/11/67
FINISH	DATE: 12/11/67

TITLE <b>Y AXIS SELECTION</b>	DATE: 12/11/67
DESIGNED BY: J.F. O'LOUGHLIN	CHECKED BY: J.F. O'LOUGHLIN
SCALE: 1 OF 1	SHEET: 2 OF 2
NUMBER: 91-0-18 SB 2	REV. C

REV. C  
NUMBER 91-0-18  
PARTS LIST







The drawing and specifications, herein, are the property of Digital Equipment Corporation and shall not be reproduced or copied in whole or in part as the basis for the manufacture or sale of items without written permission.

Main functional block diagram table with columns 1-44 and rows A-D. Contains various logic and control functions like REGULATOR, POWER CONN, SINT, MEM, MB, etc.

Secondary functional block diagram table with columns 1-44 and rows C-D. Contains various control and timing functions like PUNCH, RDR, DIS, etc.

NOTES: 1. NOTATION INDICATES USE ONLY WHEN OPTION INSTALLED

Revision table with columns: REV, CHG, NO, DATE, BY, etc. Lists various engineering changes and dates.

2. FOR MCBI REPLACE THE G020S IN LOC A30, A31, A32, A33, B31, B32 AND B33 WITH G021S  
3. FOR MB1 AND MB1B THE USUAL MEMORY STACK DEC-30-05256-1 IS REPLACED BY DEC-30-05256-2 WITH GR6 AT LOC C036 AND C029 RESPECTIVELY.

Technical specifications and title block. Includes 'UNLESS OTHERWISE SPECIFIED', 'DIMENSIONS', 'TOLERANCES', 'EQUIPMENT CORPORATION', 'MODULE UTILIZATION', 'E-UA-81-0-0', '81-0-17', 'AK'.

