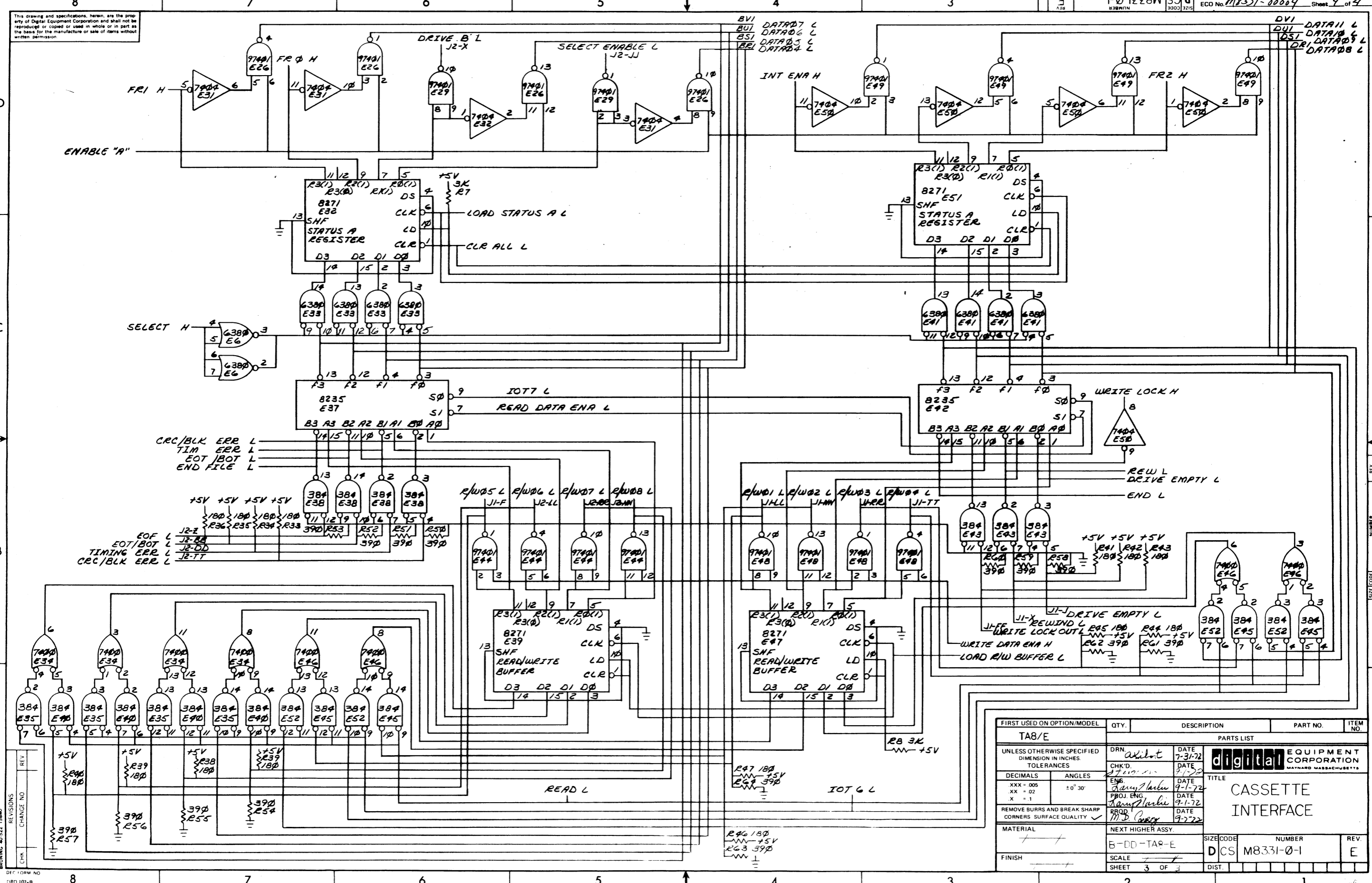






This drawing and specifications, herein, are the property of Digital Equipment Corporation and shall not be reproduced or copied or used in whole or in part as the basis for the manufacture or sale of items without written permission.



REV  
CHANGE NO  
CHK  
REVISIONS  
BRWING 40-532 15840  
DEF FORM NO  
PRD 102-B

FIRST USED ON OPTION/MODEL	QTY.	DESCRIPTION	PART NO.	ITEM NO.
TAB/E				
UNLESS OTHERWISE SPECIFIED DIMENSION IN INCHES. TOLERANCES				
DECIMALS	ANGLES	DRN. <i>akilnt</i>	DATE 7-31-72	PARTS LIST <b>digital</b> EQUIPMENT CORPORATION MAYNARD, MASSACHUSETTS
XXX = .005	±0° 30'	CHK'D. <i>AK</i>	DATE 7-1-72	
XX = .02		ENG. <i>Darry Markie</i>	DATE 9-1-72	
X = .1		PROJ. ENG. <i>Darry Markie</i>	DATE 9-1-72	
REMOVE BURRS AND BREAK SHARP CORNERS SURFACE QUALITY ✓		PROD. <i>M.D. Carey</i>	DATE 9-2-72	TITLE <b>CASSETTE INTERFACE</b>
MATERIAL	NEXT HIGHER ASSY.			
FINISH				
SCALE		SIZE CODE	NUMBER	REV.
SHEET 3 OF 3		D CS	M8331-0-1	E
		DIST.		