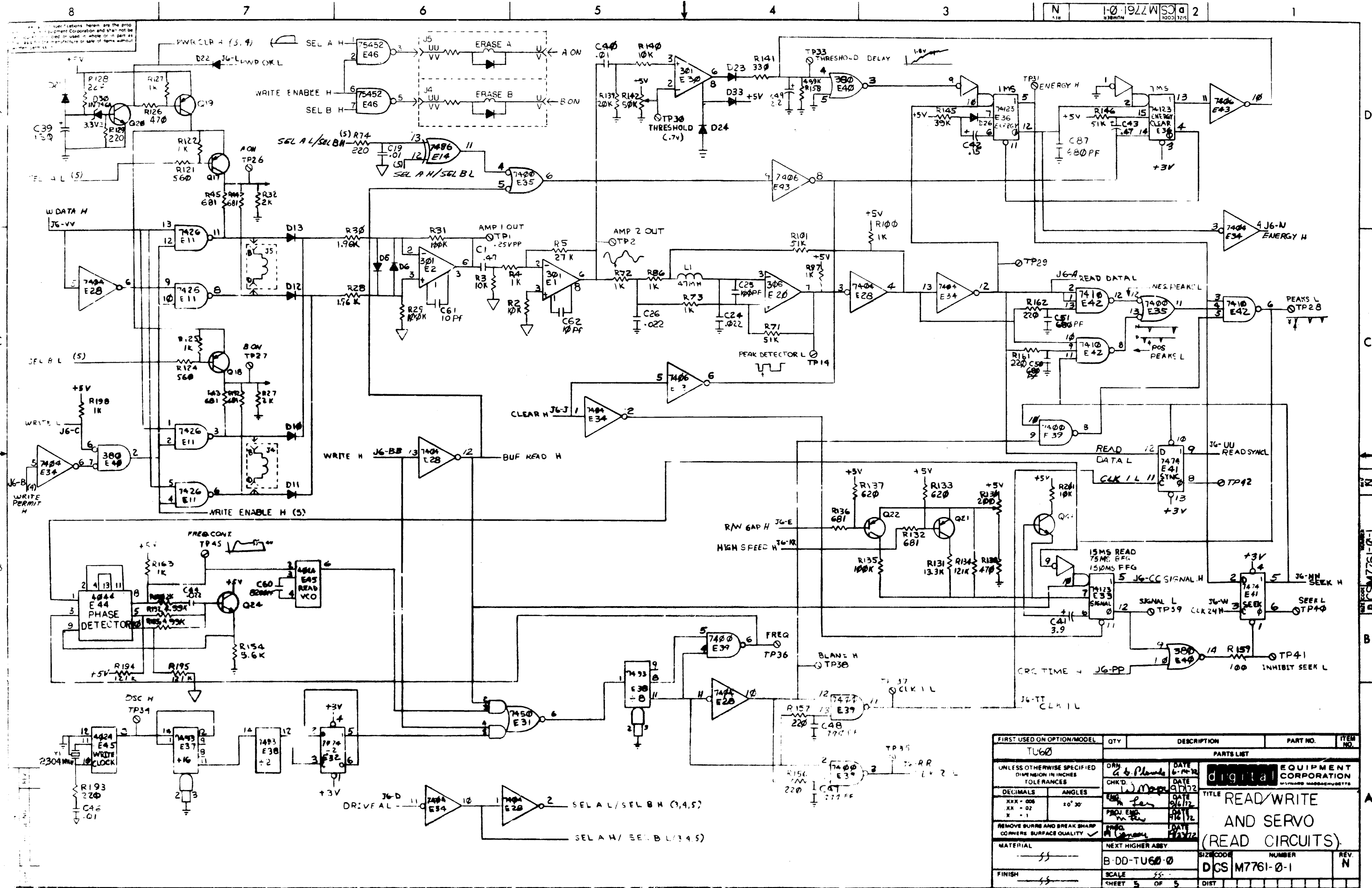


+5V J4-W,X, J5-W,X, L T, I, V.
 GND J4-H, E, H, P, L, Y, Z, 3B, PP, RR.
 J5-A, E, H, K, L, Y, Z, AA, BB, PP, RR.
 J6-EE, FF, HH, JJ.

FIRST USED ON OPTION/MODEL	QTY	DESCRIPTION	PART NO.	ITEM NO.
PARTS LIST				
UNLESS OTHERWISE SPECIFIED DIMENSION IN INCHES TOLERANCES	DRN	DATE	EQUIPMENT CORPORATION	
DECIMALS	CHK'D	DATE	SAVING HARBOR	
ANGLES	ENG	DATE	TITLE	
XXX - 000	PROJ. ENG.	DATE	READ/WRITE AND SERVO (REWIND/REG)	
XX - 02	PROD.	DATE	MATERIAL	
X - 1	REMOVE BURRS AND BREAK SHARP CORNERS SURFACE QUALITY	DATE	NEXT HIGHER ASBY.	
			B-DD TU60-0	
			FINISH	
			SCALE	
			SHEET 4 OF 5	
			DST.	
			REV. N	
			DCS M7761-0-1	

REV. N
 NUMBER
 DCS M7761-0-1
 REV. N



FIRST USED ON OPTION/MODEL	QTY	DESCRIPTION	PART NO.	ITEM NO.
TU60		PARTS LIST		
UNLESS OTHERWISE SPECIFIED DIMENSION IN INCHES TOLERANCES				
DECIMALS	ANGLES	digital EQUIPMENT CORPORATION MILFORD MASSACHUSETTS		
XXX - 008	10° 30'	TITLE READ/WRITE AND SERVO (READ CIRCUITS)		
REMOVE BURRS AND BREAK SHARP CORNERS SURFACE QUALITY		MATERIAL NEXT HIGHER ASSY		
FINISH	SCALE	SIZE CODE	NUMBER	REV.
	SHEET 5 OF 5	B-DD-TU60-0	DGS M7761-0-1	N