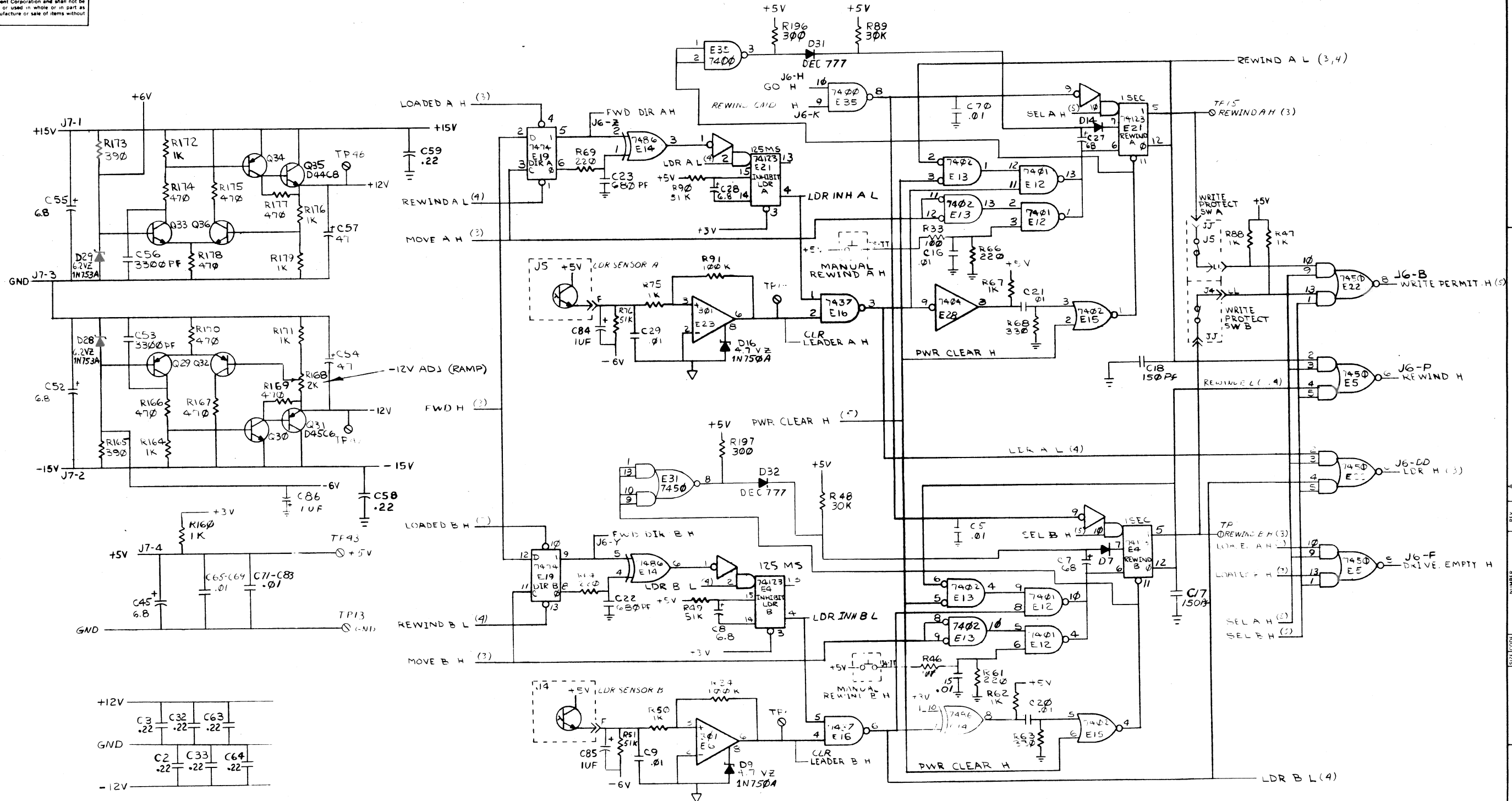








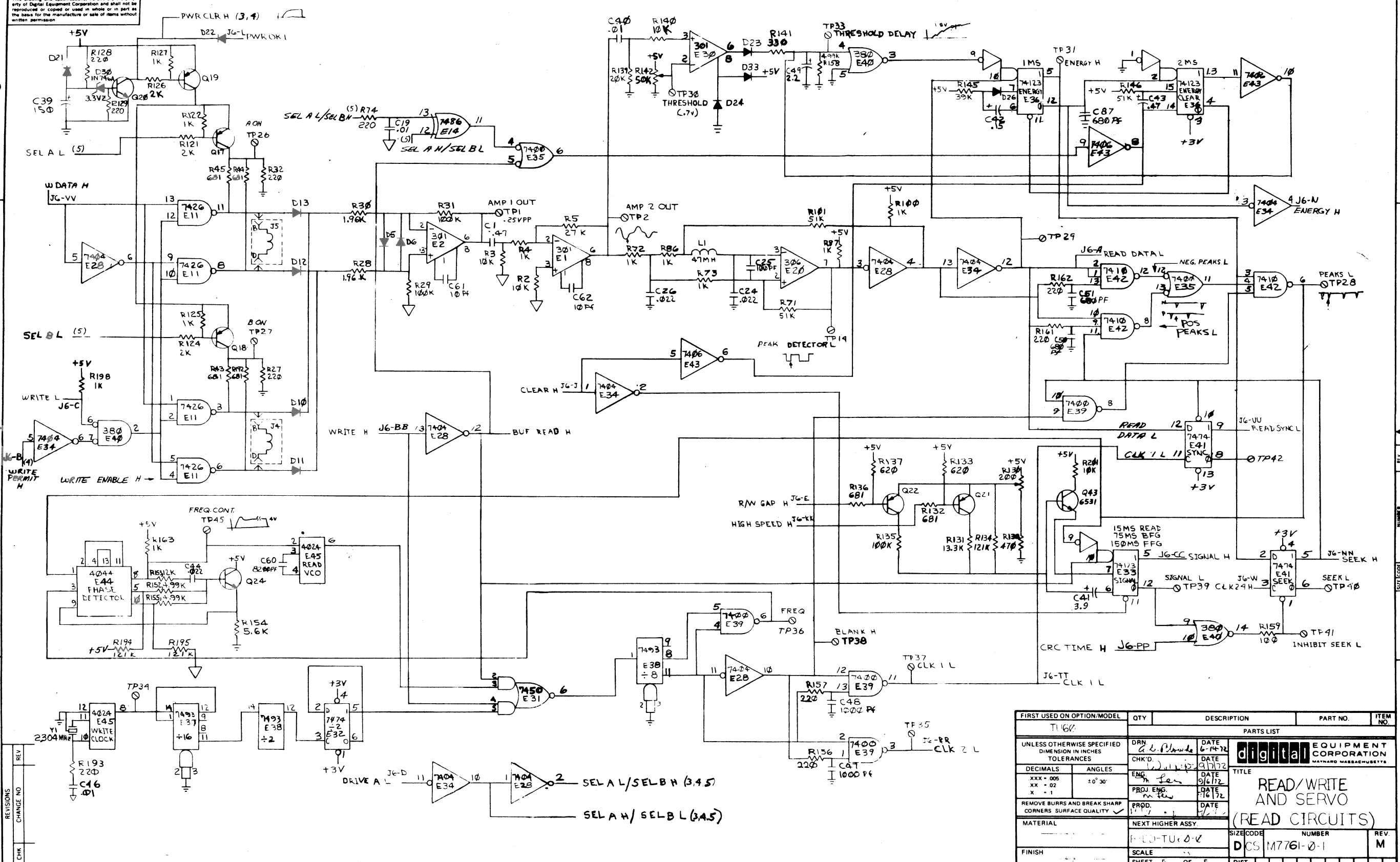
This drawing and specifications herein, are the property of Digital Equipment Corporation and shall not be reproduced or copied or used in whole or in part as the basis for the manufacture or sale of items without written permission.



+5V — J4-W, X. J5-W, X. J6-S, T, U, V.  
 GND — J4-A, C, E, H, K, L, Y, Z, AA, BB, PP, RR.  
 J5-A, C, E, H, K, L, Y, Z, AA, BB, PP, RR.  
 J6-EE, FF, HH, JJ.

REV	NO	DATE	BY	CHK

FIRST USED ON OPTION/MODEL	QTY.	DESCRIPTION	PART NO.	ITEM NO.	
TUEQ					
PARTS LIST					
UNLESS OTHERWISE SPECIFIED DIMENSION IN INCHES TOLERANCES	DRN CHK'D	DATE DATE	 <b>digital EQUIPMENT CORPORATION</b> MAYNARD MASSACHUSETTS		
DECIMALS	ANGLES	ENG			TITLE
XXX - 006	20° 30'	M LEC			READ/WRITE AND SERVO (REWIND/REG)
XX - 02		PROJ. ENG			
REMOVE BURRS AND BREAK SHARP CORNERS SURFACE QUALITY		PROD.			
MATERIAL	NEXT HIGHER ASSY		SIZE CODE	NUMBER	
FINISH	SCALE	SHEET 4 OF	D	CS M7761-0-1	
				REV M	



REVISIONS

REV	CHANGE NO

DEC FORM NO. DRD 100-B

FIRST USED ON OPTION/MODEL	QTY	DESCRIPTION	PART NO.	ITEM NO.
T160				
UNLESS OTHERWISE SPECIFIED DIMENSION IN INCHES TOLERANCES				
DECIMALS	ANGLES	PARTS LIST		
XXX - 005	±0° 30'	DRN	DATE	6-14-72
XX - 02		CHK'D	DATE	9/10/72
X - 1		ENG	DATE	9/15/72
		PROJ. ENG.	DATE	9/15/72
		PRD.	DATE	
REMOVE BURRS AND BREAK SHARP CORNERS SURFACE QUALITY				
NEXT HIGHER ASSY.				
MATERIAL		TITLE		
		READ/WRITE AND SERVO (READ CIRCUITS)		
FINISH		SCALE	SIZE CODE	NUMBER
			DCS	M7761-0-1
		SHEET 5 OF 5	DIST	