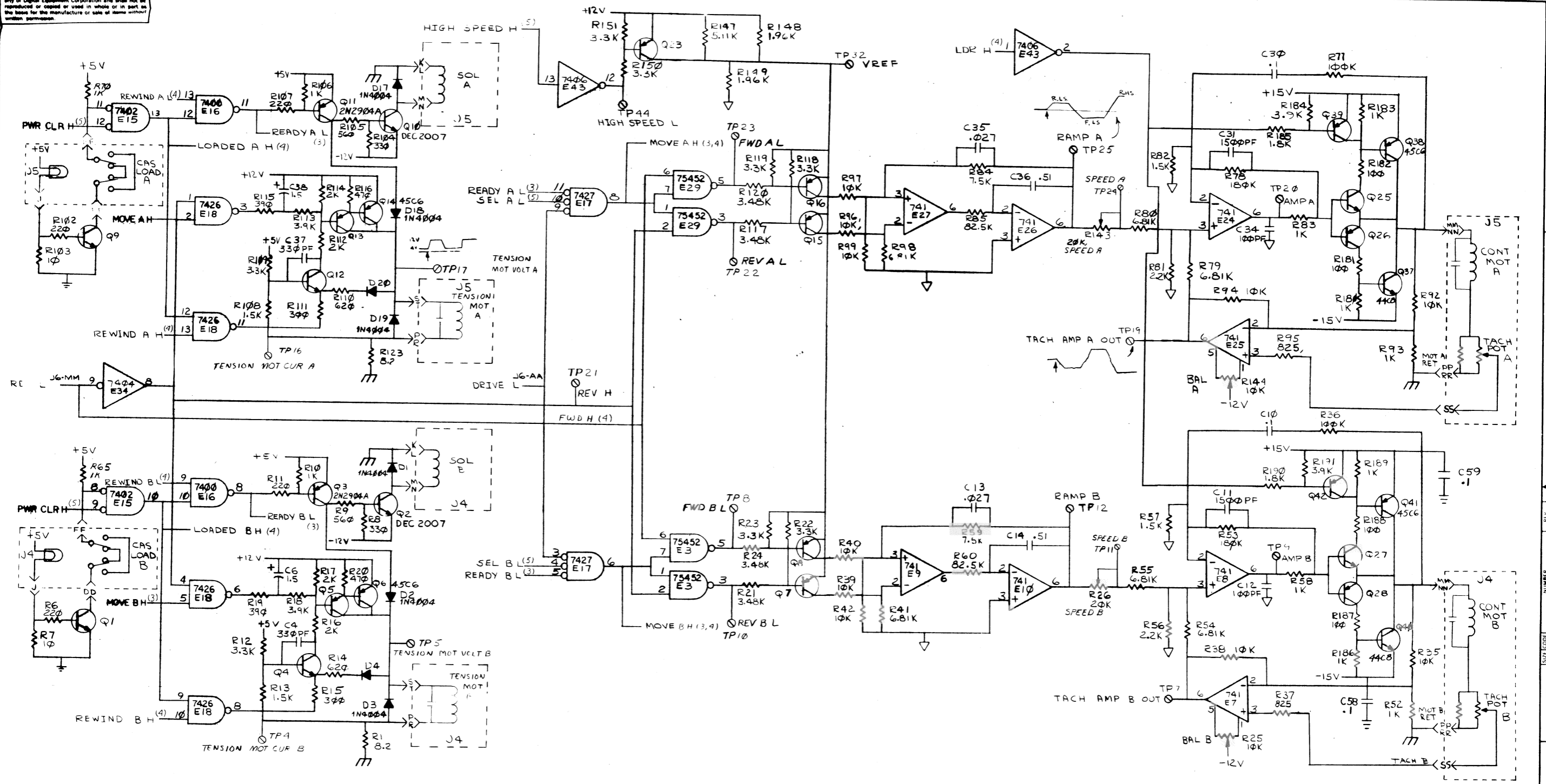


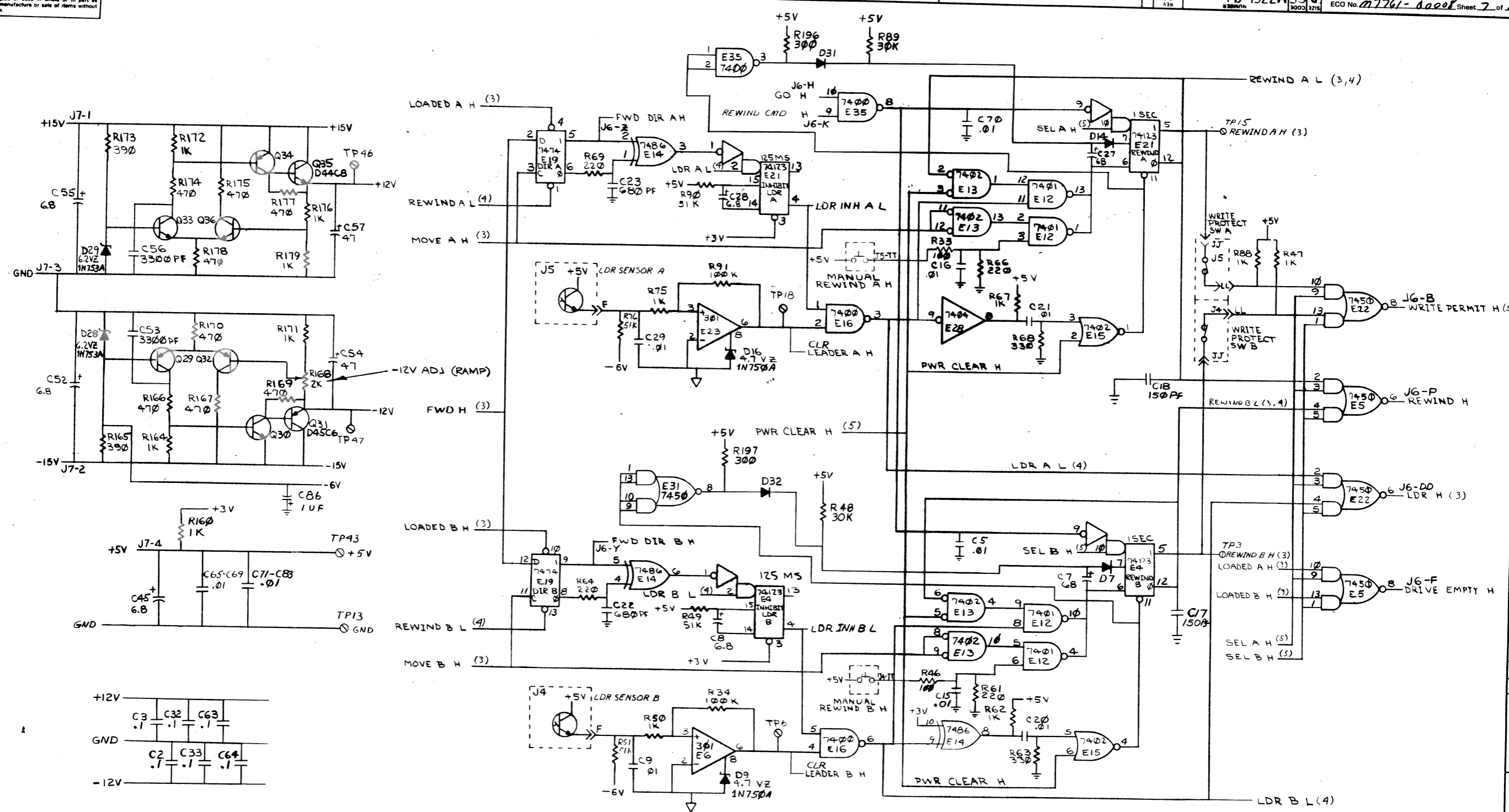
This drawing and specifications herein are the property of Digital Equipment Corporation and shall not be reproduced or copied or used in whole or in part as the basis for the manufacture or sale of items without written permission.



REV	CHANGE NO.

FIRST USED ON OPTION/MODEL	QTY.	DESCRIPTION	PART NO.	ITEM NO.
TUG0		PARTS LIST		
UNLESS OTHERWISE SPECIFIED DIMENSION IN INCHES TOLERANCES	DRN	DATE	digital EQUIPMENT CORPORATION MAYNARD, MASSACHUSETTS	
DECIMALS	CHK'D	DATE	TITLE	
XXX - 008	W. LEIC	9/16/72	READ / WRITE AND SERVO (MOTOR CIRCUITS)	
XX - 02	PROJ. ENG.	DATE	CORNERS SURFACE QUALITY	
X - 1	M. E. LEIC	9/16/72	NEXT HIGHER ASSY.	
MATERIAL	PRD	DATE	SIZE CODE	
			B-DD-TUG0-0	
FINISH			SCALE	
			DCS M7761-0-1	
			SHEET 3 OF 5	
			DIST.	

The drawing and specifications herein are the property of Digital Equipment Corporation and shall not be reproduced or used in whole or in part as the basis for the manufacture or sale of items without written permission.



+5V — J4-W, X, J5-W, X, J6-S, T, U, V.
 GND — J4-A, C, E, H, K, L, Y, Z, AA, BB, PP, RR.
 J5-A, C, E, H, K, L, Y, Z, AA, BB, PP, RR.
 J6-EE, FF, HH, JJ.

FIRST USED ON OPTION/MODEL	QTY.	DESCRIPTION	PART NO.	ITEM NO.
TU60				
UNLESS OTHERWISE SPECIFIED DIMENSION IN INCHES. TOLERANCES				
DECIMALS	ANGLES	PARTS LIST		
XXX - .005	±0° 30'	DRN	DATE	digital EQUIPMENT CORPORATION MAYFORD, MASSACHUSETTS TITLE READ/WRITE AND SERVO (REWIND/REG)
XX - .02		CHK'D	DATE	
X - .1		ENG.	DATE	
		PROJ. ENG.	DATE	
		PROD.	DATE	
REMOVE BURRS AND BREAK SHARP CORNERS SURFACE QUALITY				
MATERIAL		NEXT HIGHER ASSY.		
FINISH		B-DD-TU60-0	SIZE CODE	NUMBER
		SCALE	D CS	M7761-0-1
		SHEET 4 OF 5	DIST.	REV. K

BRUING 40.1F
 DFC FORM NO. DRD 100-A

REV. K
 NUMBER
 DCS M7761-0-1
 SIZE CODE

A

