

MASTER DRAWING LIST

MAINTENANCE MANUALS		UNIT VARIATIONS													
		KC8-EA	KC8-EB	KC8-EC	KC8-ED	KC8-EJ									
NO.	TITLE														
KC8-E	CONSOLE	X	X	X	X	X									

USED ON OPTIONS														
PDP8/E														

REVISIONS	REV.	DATE	CHG. NO.	APP'D.	DRN.	DATE	digital EQUIPMENT CORPORATION MAYNARD, MASSACHUSETTS				
	ORIG	8/71	MISC-86			K. GULICK				12/3/70	
	A	2/75	KC8E-9			K. GULICK	12/3/70				
						ENG. PROVIDENT	12/7/70	TITLE	CONSOLE (PDP8/E)		
						PROJ. ENG. VOGELSANG	12/7/70	SIZE	CODE	NUMBER	REV.
						PROD. L. SAYLOR	12/8/70	A	ML	KC8-E	A

PRINT SET		DWG. NO.	REV. LET.	NO. OF SHEETS	TITLE	OPTION NO.
KC8-E						
X		E-IA-5409057-0-0	F	1	FRONT PANEL CONTROL BOARD	
X		E-CS-5409057-0-1	E	1	CIRCUIT SCHEMATIC	
X		D-UA-KC8-E-Ø	F	1	CONSOLE ASSY	
X		A-PL-KC8-E-Ø	F	1	CONSOLE ASSY	
TITLE		CONSOLE			SHEET 2 OF 2	REV. A
					SIZE CODE A ML	NUMBER KC8-E

DRA 132
DEC 16-(325)-1048-1-N471

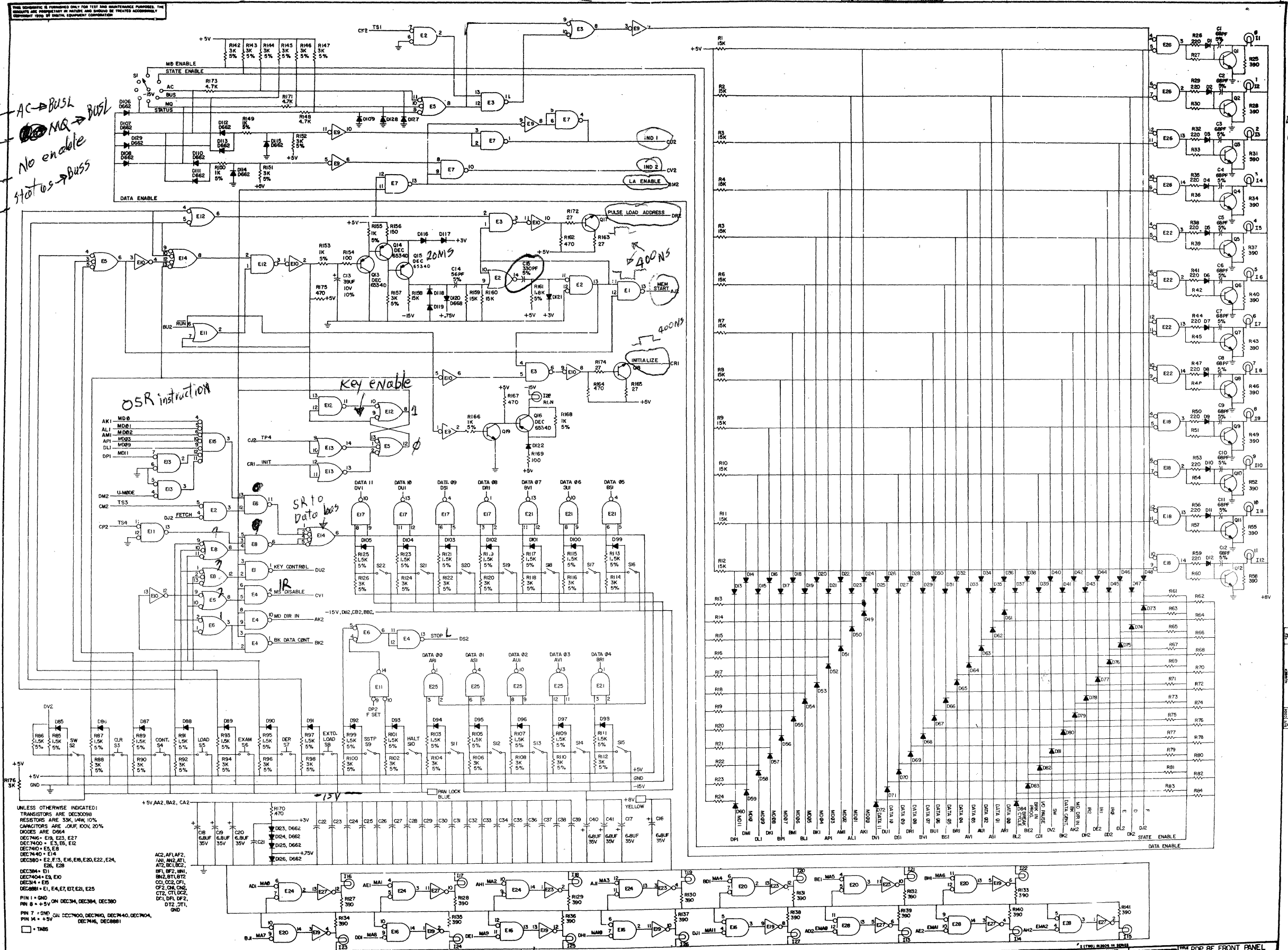
C15 - IF NOT 330PF MD MAY NOT INCREMENT PROPERLY

F48 (M9330)
PINS - 2

- AC IND 1
 - MQ L
 - Bus H
 - Status H
 - state H
 - MD H

IND 2
 L
 H
 H
 H
 H

AC → BUSH
 MQ → BUSH
 No enable
 status → BUSH



lower row of light

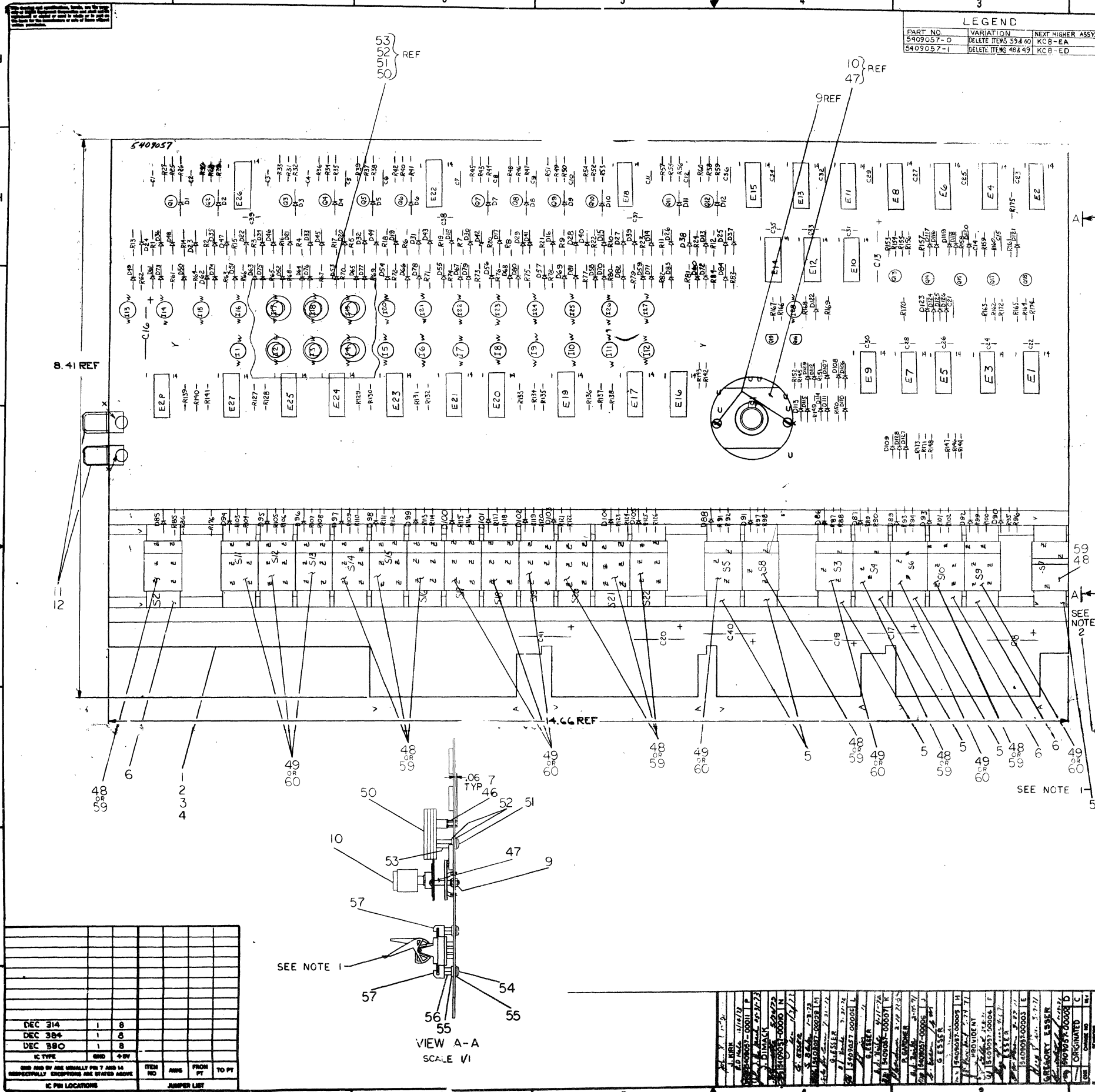
UNLESS OTHERWISE INDICATED:
 TRANSISTORS ARE DEC30098
 RESISTORS ARE 5% 1/4W, 10%
 CAPACITORS ARE .01UF 50V, 20%
 DIODES ARE D964
 DEC7400 = E19, E23, E27
 DEC7410 = E3, E9, E12
 DEC7414 = E14
 DEC380 = E2, E13, E16, E18, E20, E22, E24, E26, E28
 DEC384 = E11
 DEC7404 = E9, E10
 DEC34 = E5
 DEC388 = E1, E4, E7, E11, E21, E25
 C1, C2, C3, C4, C5, C6, C7, C8, C9, C10, C11, C12, C13, C14, C15, C16, C17, C18, C19, C20, C21, C22, C23, C24, C25, C26, C27, C28, C29, C30, C31, C32, C33, C34, C35, C36, C37, C38, C39, C40, C41, C42, C43, C44, C45, C46, C47, C48, C49, C50, C51, C52, C53, C54, C55, C56, C57, C58, C59, C60, C61, C62, C63, C64, C65, C66, C67, C68, C69, C70, C71, C72, C73, C74, C75, C76, C77, C78, C79, C80, C81, C82, C83, C84, C85, C86, C87, C88, C89, C90, C91, C92, C93, C94, C95, C96, C97, C98, C99, C100

Upper Row of Lights
 oMNibus

KCB-EA

Pin	Signal	Notes
1	MD0	
2	MD1	
3	MD2	
4	MD3	
5	MD4	
6	MD5	
7	MD6	
8	MD7	
9	MD8	
10	MD9	
11	MD10	
12	MD11	
13	MD12	
14	MD13	
15	MD14	
16	MD15	
17	MD16	
18	MD17	
19	MD18	
20	MD19	
21	MD20	
22	MD21	
23	MD22	
24	MD23	
25	MD24	
26	MD25	
27	MD26	
28	MD27	
29	MD28	
30	MD29	
31	MD30	
32	MD31	
33	MD32	
34	MD33	
35	MD34	
36	MD35	
37	MD36	
38	MD37	
39	MD38	
40	MD39	
41	MD40	
42	MD41	
43	MD42	
44	MD43	
45	MD44	
46	MD45	
47	MD46	
48	MD47	
49	MD48	
50	MD49	
51	MD50	
52	MD51	
53	MD52	
54	MD53	
55	MD54	
56	MD55	
57	MD56	
58	MD57	
59	MD58	
60	MD59	
61	MD60	
62	MD61	
63	MD62	
64	MD63	
65	MD64	
66	MD65	
67	MD66	
68	MD67	
69	MD68	
70	MD69	
71	MD70	
72	MD71	
73	MD72	
74	MD73	
75	MD74	
76	MD75	
77	MD76	
78	MD77	
79	MD78	
80	MD79	
81	MD80	
82	MD81	
83	MD82	
84	MD83	
85	MD84	
86	MD85	
87	MD86	
88	MD87	
89	MD88	
90	MD89	
91	MD90	
92	MD91	
93	MD92	
94	MD93	
95	MD94	
96	MD95	
97	MD96	
98	MD97	
99	MD98	
100	MD99	

DO NOT BE FRONT PANEL CONTROL BOARD 5409037



PART NO.	VARIATION	NEXT HIGHER ASSY.
5409057-0	DELETE ITEMS 53 & 50	KC8-EA
5409057-1	DELETE ITEMS 48 & 49	KC8-ED

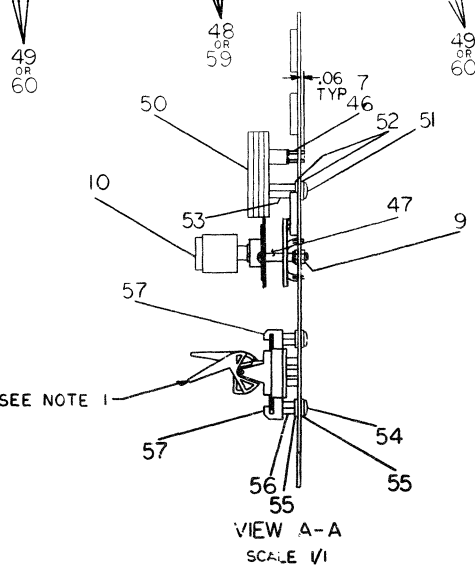
NOTES

- ITEM NO. 5 (MOMENTARY SWITCH) TO BE INSTALLED SO THAT ROCKER HANDLE IS DOWN WHEN IN 'OFF' POSITION. THIS LOCATION ONLY.
- ITEM NO. 28 (D664) MAY BE REPLACED WITH D600 DIODES P/N 11-05366 (REV C ONLY).

QTY.	REF DESIGNATION	DESCRIPTION	PART NO.	REV.
10		ROCKER HANDLE LINE	1205842-15	60
11		ROCKER HANDLE CHARTREUSE	1205849-14	59
12		WASH. WHT NYLON #8 X .032 THK	9006240-057	57
13		SWITCH MTG BAR	1207408240-057	57
14		SPACER 1/4" x 1/4" x .3125" HOLE	9006900	56
15		WASH. WHT NYLON #6 X .032 THK	9006207	55
16		SCR SLT HD PAN #32 X 44 NYLON	9006212	54
17		SPACER 1/4" x 1/2" x .3125" HOLE	9007477	53
18		WASH. WHT NYLON #8 X .032 THK	9006713	52
19		SCR PHL HD PAN SS #32 X 7/8	9006042-1	51
20		SUPPORT GLASS	D1A7408240-057	50
21		ROCKER HANDLE TERRACOTTA	1205849-13	49
22		ROCKER HANDLE, AMBER	1205849-12	48
23		ROCKY SWITCH	4210627	47
24		INDICATOR BULBS	1209219	46
25		I.C. DEC 7416	1909428	45
26		I.C. DEC 8881	1909705	44
27		I.C. DEC 314	1909704	43
28		I.C. DEC 7404	1909686	42
29		I.C. DEC 384	1909486	41
30		I.C. DEC 380	1909485	40
31		I.C. DEC 7440	1905579	39
32		I.C. DEC 7410	1905576	38
33		I.C. DEC 7400	1905575	37
34		TRANSISTOR DEC 6534D	1503409-00	36
35		TRANSISTOR DEC 3009B	1503100	35
36		RES. 4.7K, 1/4W, 10%	1300448	34
37		RES. 100, 1/4W, 10%	1300233	33
38		RES. 27, 1/4W, 10%	1301420	32
39		RES. 220, 1/4W, 10%	1300275	31
40		RES. 33K, 1/4W, 10%	1300510	30
41		RES. 5K, 1/4W, 10%	1300494	29
42		RES. 3K, 1/4W, 5%	1300432	28
43		RES. 1.8K, 1/4W, 5%	1300398	27
44		RES. 15K, 1/4W, 5%	1300391	26
45		RES. 1K, 1/4W, 5%	1300365	25
46		RES. 470, 1/4W, 10%	1300317	24
47		RES. 390, 1/4W, 10%	1300310	23
48		RES. 150, 1/4W, 10%	1300252	22
49		DIODE D668	1102161	21
50		DIODE D664	1100114	20
51		DIODE D662	1100113	19
52		CAP. .01UF, 100V, 20% DISC	1001610	18
53		CAP. 39UF, 10V, 10% S. TANT	1000076	17
54		CAP. 6.8UF, 35V, 20% S. TANT	1000067	16
55		CAP. 33PF, 100V, 5% D.M.	1000023	15
56		CAP. 68PF, 100V, 5% D.M.	1000014	14
57		CAP. 56PF, 100V, 5% D.M.	1000012	13
58		EYELET	9007827	12
59		TAB	9007712	11
60		ANGR CONTROL PANEL	1204747	10
61		MUT. NYLON #4-40	9007992	9
62		TERMINALS, SOLDERLESS	9007812	8
63		SWITCH, ROCKER RS-50-FB-PC	1205841	7
64		SWITCH, ROCKER RS-5-FB	1205875	6
65		ETCHED CIRCUIT BOARD	11-55024066-0-0	4
66		MODULE ECO HISTORY	B-M-5409057-0-6	3
67		CIRCUIT SCHEMATIC	EC-5409057-0-1	2
68		X-Y COORDINATE HOLE	K-CO-5409057-0-4	1

REV	DESCRIPTION	DATE	BY	CHKD
DEC 314	1	8		
DEC 384	1	8		
DEC 380	1	8		

IC TYPE	QTY	REV	FROM	TO



REV	DESCRIPTION	DATE	BY	CHKD

REV	DESCRIPTION	DATE	BY	CHKD