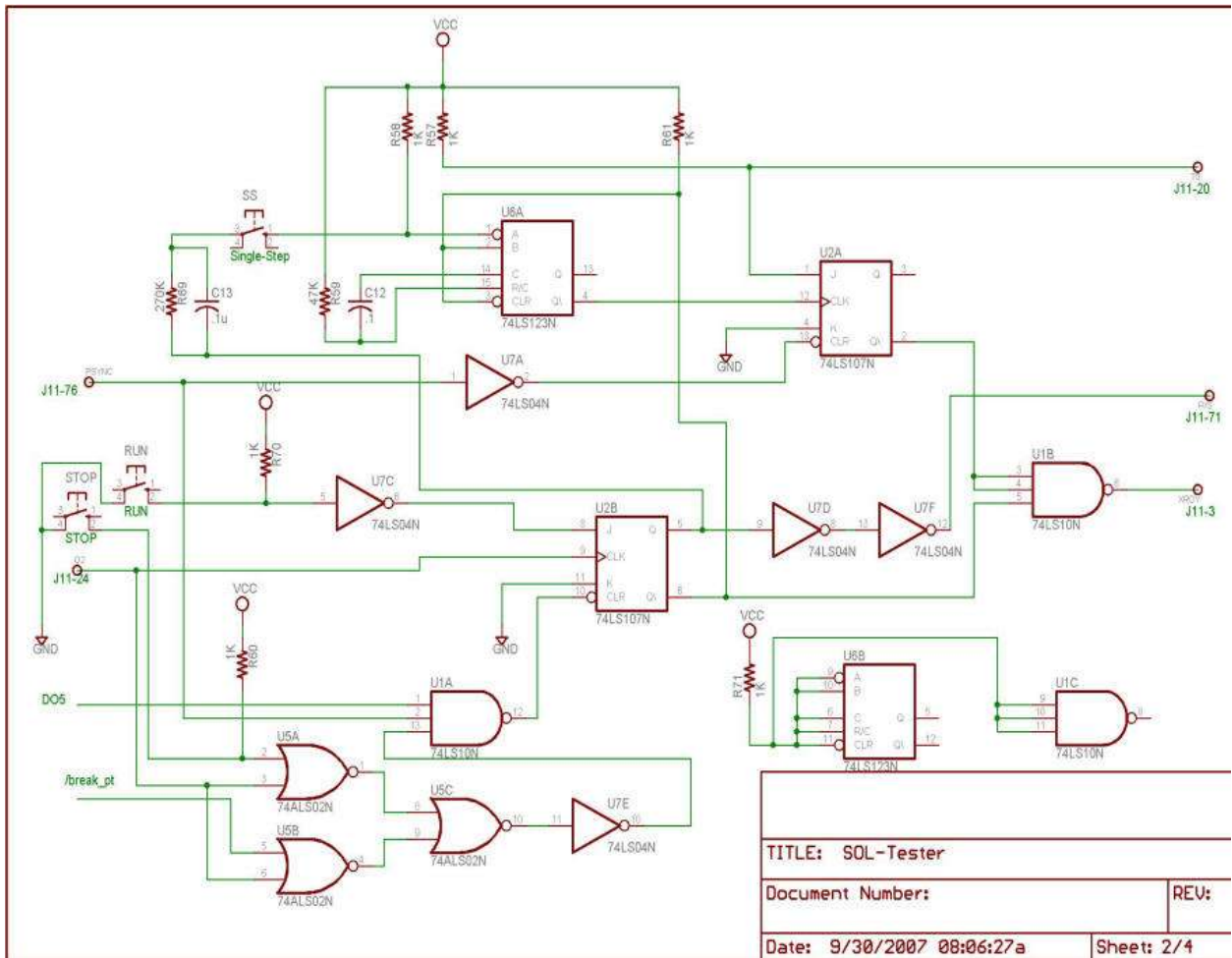


TITLE: SOL-Tester

Document Number: REV:

Date: 9/30/2007 08:06:27a Sheet: 1/4



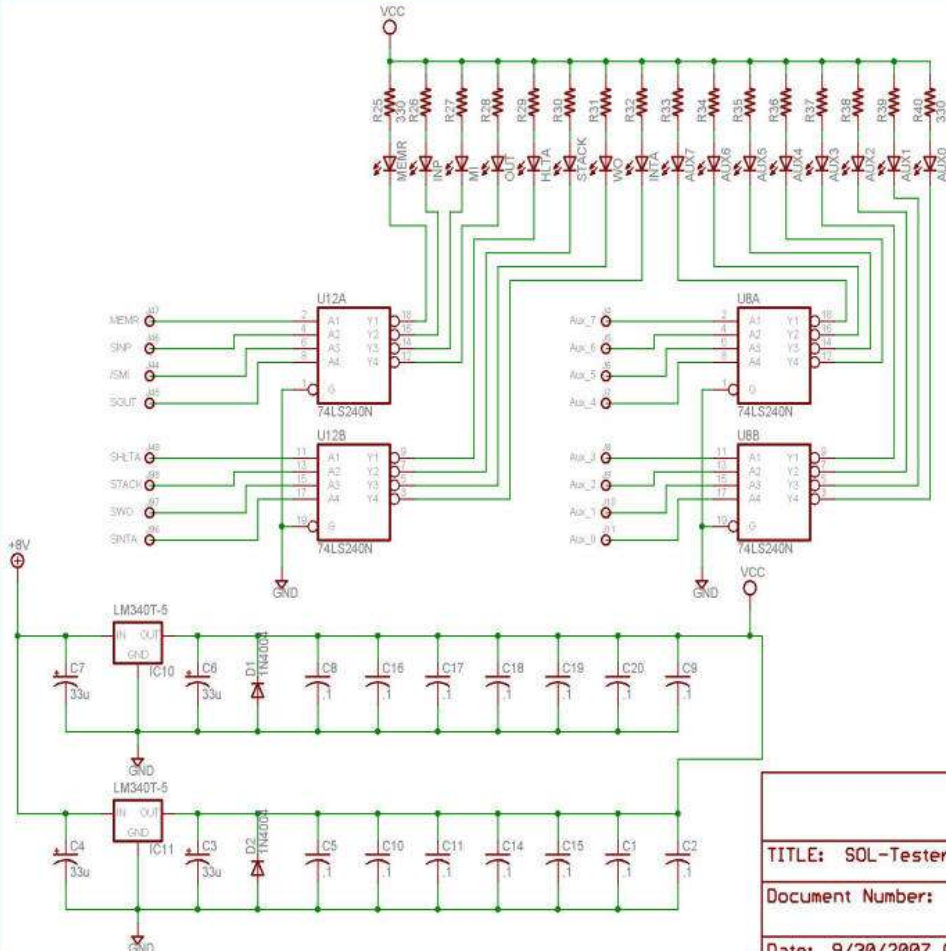
TITLE: SOL-Tester

Document Number:

REV:

Date: 9/30/2007 08:06:27a

Sheet: 2/4



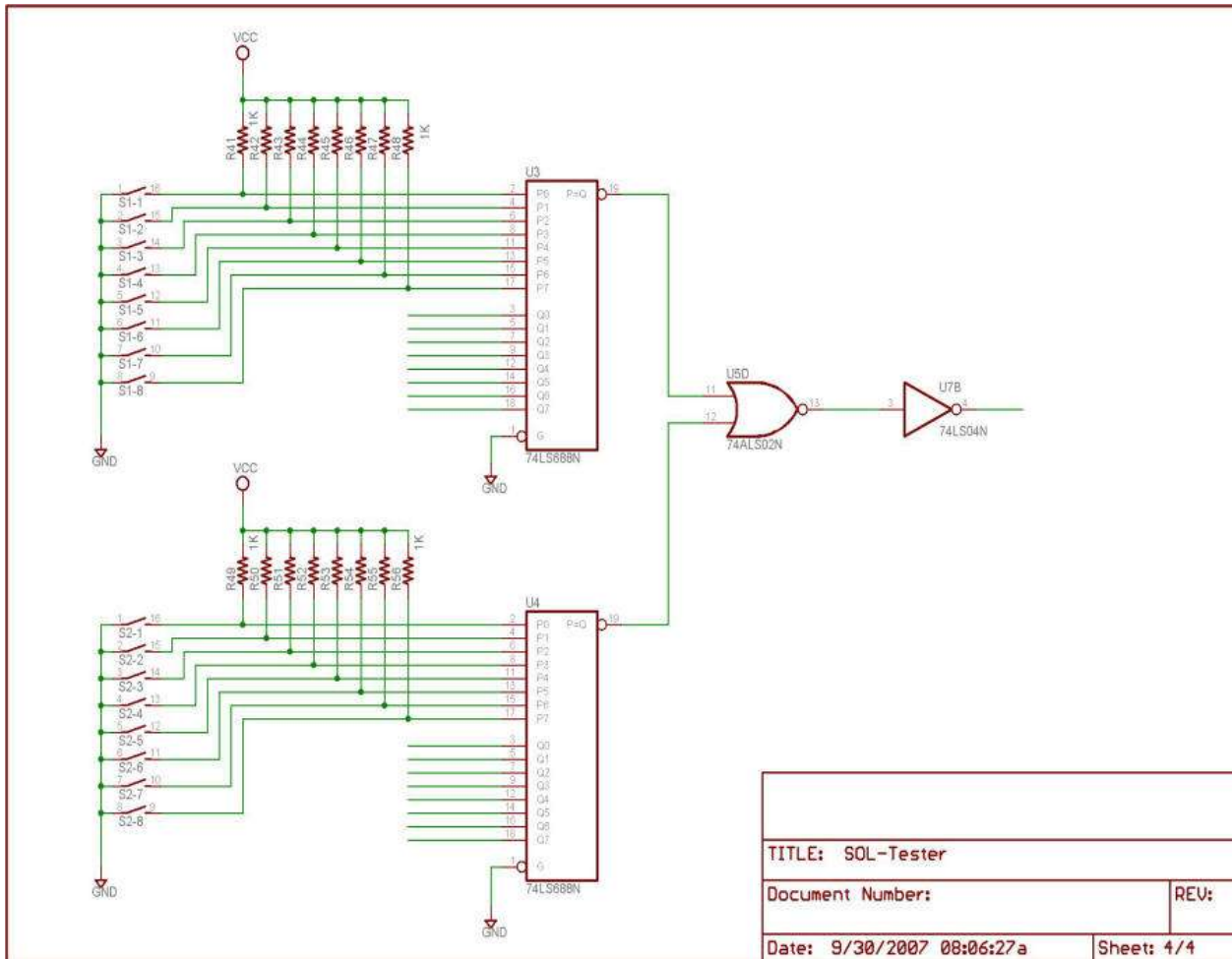
TITLE: SOL-Tester

Document Number:

REV:

Date: 9/30/2007 08:06:27a

Sheet: 3/4



TITLE: SOL-Tester

Document Number:

REV:

Date: 9/30/2007 08:06:27a

Sheet: 4/4