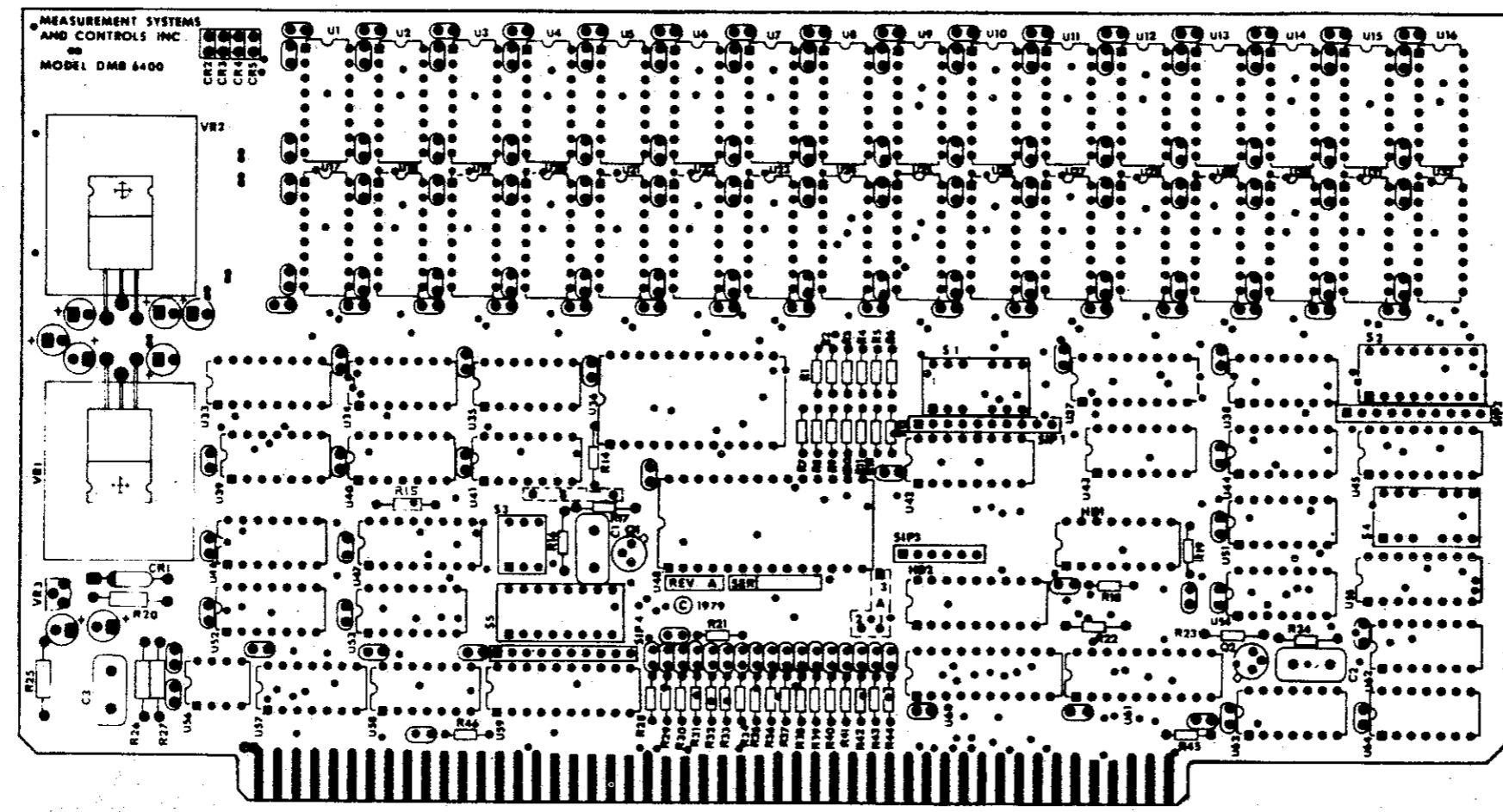


8 7 6 5 4 3 2 1

REV	DATE	APPROVED

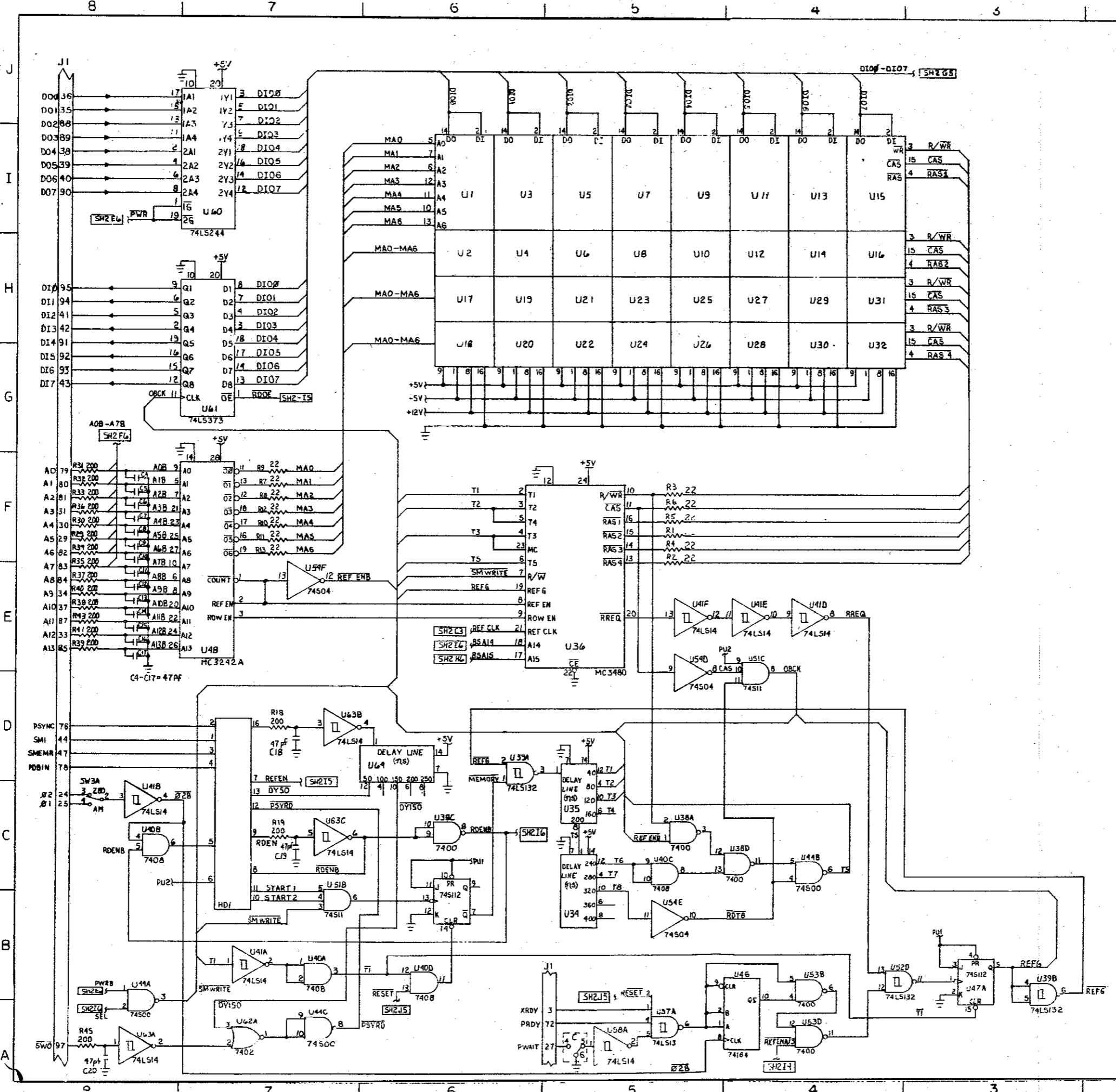
D
C
B
A



8 7 6 5 4 3 2 1

QTY REQD	CODE IDENT	PART OR IDENTIF. NO.	NOMENCLATURE OR DESCRIPTION
PARTS LIST			
UNLESS OTHERWISE SPECIFIED DIMENSIONS ARE IN INCHES TOLERANCES ARE FRACTIONS DECIMALS ANGLES XX XXX		CONTRACT NO.	MEASUREMENT SYSTEMS AND CONTROLS INC.
MATERIAL	APPROVALS DRAWN CHECKED	DATE 7/25/79 7/25/79	PRINTED WIRING ASSEMBLY MODEL DMB6400
FINISH	NEXT ASSY	USED ON	SIZE CODE IDENT NO DRAWING NO D DMB6400-100
APPLICATION	DO NOT SCALE DRAWING		SCALE 2/1 R1 v. 8 SHEET OF

REVISIONS			DATE
ZONE	LT#	DESCRIPTION	DATE
A	1	INITIALIZING RELEASE	7/20/79



2. U33, U49 AND U50 ARE NOT USED.
 NOTES: 1. UNLESS OTHERWISE SPECIFIED ALL RESISTOR ARE IN OHMS $\frac{1}{2}$ W AND ALL CAPACITORS ARE IN MICROFARADS.

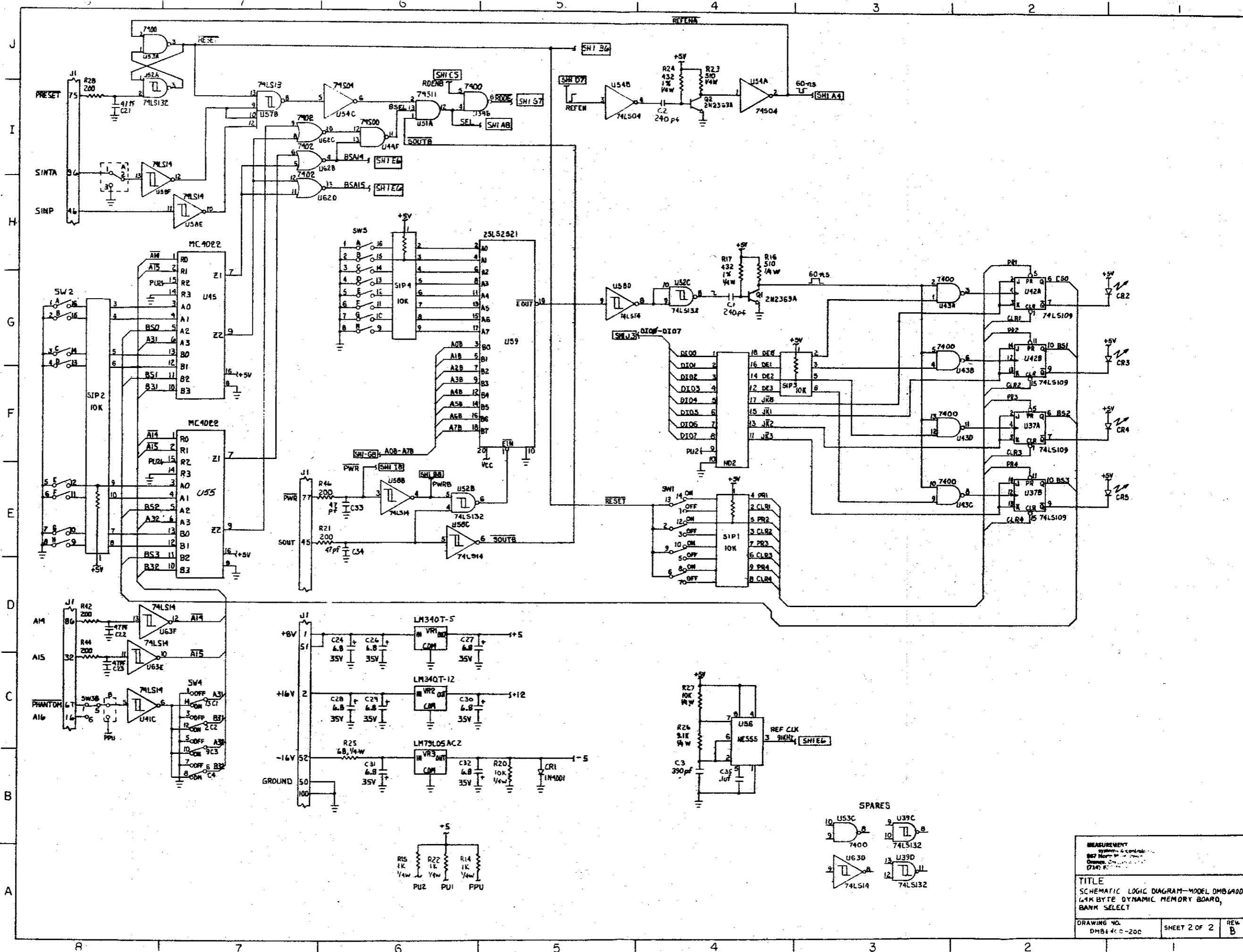
APPROVAL	NAME	DATE	MEASUREMENT
DRAWN	T. Scule	7/1/79	74LS132
PROJ ENGR/DSGN	J. Smith	7/1/79	74LS132
MFG APPR	J. Smith	7/1/79	74LS132
CHIEF ENGR	J. Smith	7/1/79	74LS132

TITLE
 SCHEMATIC LAME DIAGRAM MODEL-DMB4100
 64K BYTE DYNAMIC MEMORY BOARD,
 BANK SELECT

DRAWING NO.
 DMB6401-200

SHEET 1 OF 2

REV B



MEASUREMENT
 SYSTEMS & CONTROLS
 867 North ...
 Denver, CO ...
 (303) ...

TITLE
 SCHEMATIC LOGIC DIAGRAM—MODEL DMB400
 4K BYTE DYNAMIC MEMORY BOARD,
 BANK SELECT

DRAWING NO.
 DMB400-200

SHEET 2 OF 2

REV
 B