

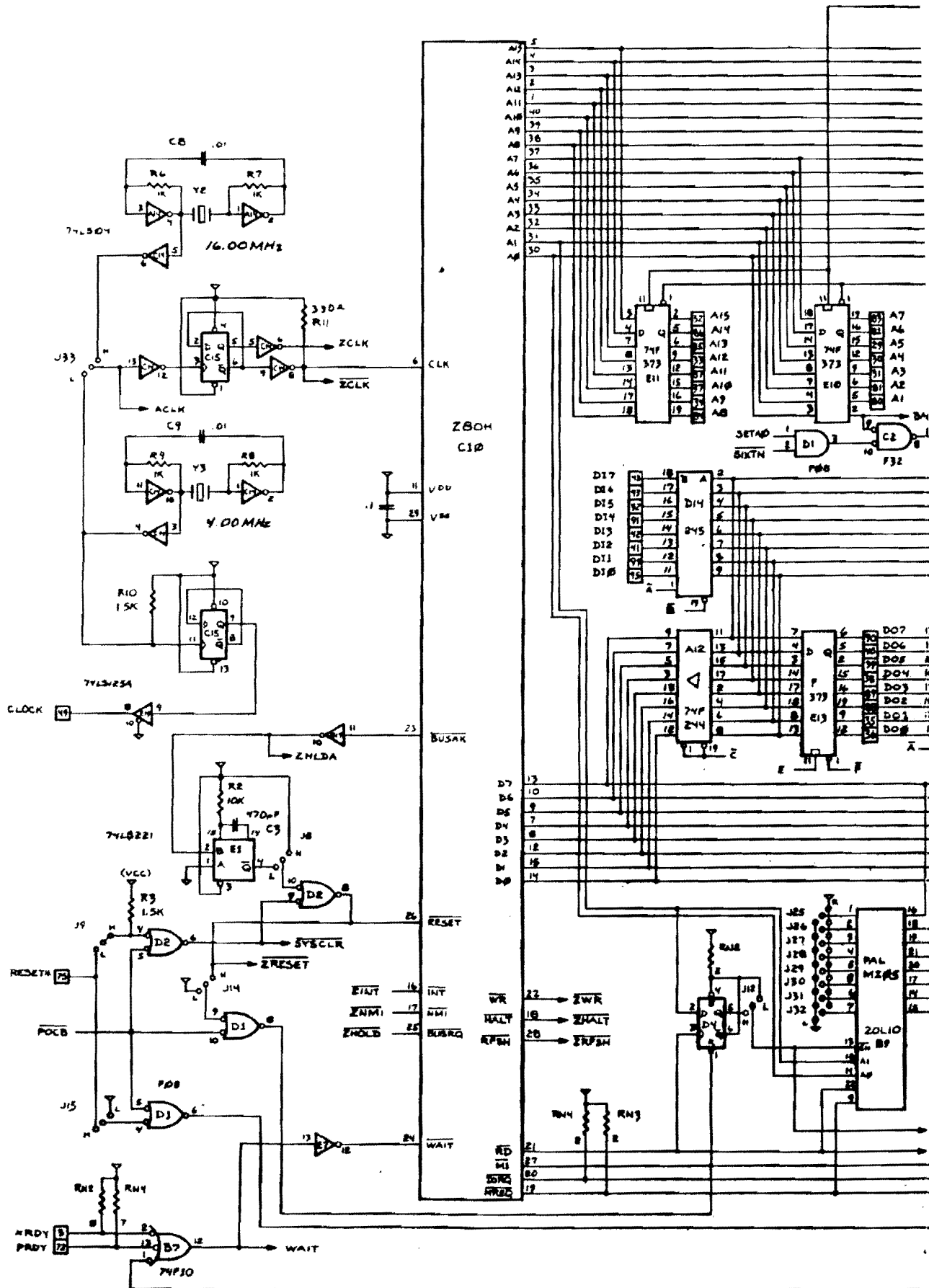
ALL D-FLOPS 74F74  
 ALL INVERTERS 74F04  
 ALL NETWORK RESISTORS 1.5KΩ, PIN-ONE-COMMON

J18  
 J19  
 J20  
 J21  
 J22  
 J23  
 J24 IS PRESENT  
 BUT UNUSED

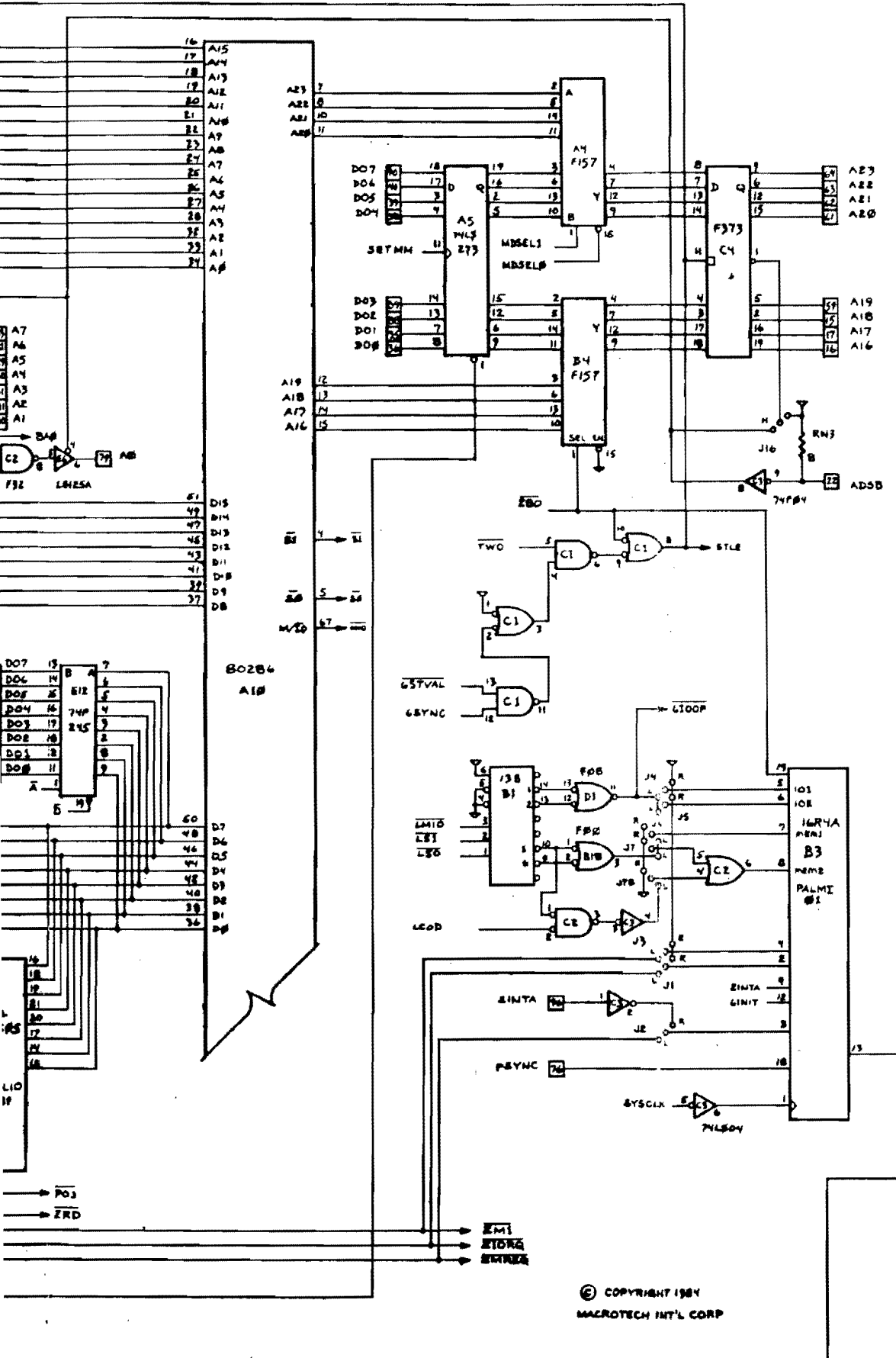








ALL D-FLOPS 74F74  
 ALL INVERTERS 74F04 EXCEPT C14  
 ALL NETWORK RESISTORS 1.5K $\Omega$ , PIN-ONE-COMMON



© COPYRIGHT 1984  
MACROTECH INT'L CORP

