

Sol SYSTEMS MANUAL,



6200 Hollis Street
Emeryville, CA. 94608
Phone: (415) 652-8080

Copyright 1976, 1977, Processor Technology Corporation
Third Printing, June, 1977
Manual No.106000

PREFACE

This new edition of the Sol Systems Manual contains many revisions and additions. Its release coincides with the release of a new "2708" Personality Module, and the Revision E version of the main circuit board: Sol-PC. The new "Sol-PC Rev E" has several improvements: resistors have been added which increase the reliability of the cassette motor relays, jumper options have been added, and traces moved to improve performance. Many improvements which had been accumulating as update information have been integrated into the text. Section VII, Operating Procedures, and Appendix 5, IC Pin Configurations, are now included. A subsection, Modification for 625 Line Video, has been added. If your copy is missing Section VIII, Theory of Operation, it will be available soon. New divider pages with plastic-coated tabs are included to make it easier to flip to frequently referenced sections.

Much effort has gone towards making this manual complete and accurate. The process of updating and revision always continues, however, and we invite your input. If you should find an error, or have suggestions for improving any of our documentation, please submit your suggestions in writing to our Technical Documentation Department, and they will be given thorough consideration.

The three-ring binder you are holding, is an "easel" binder. The cover is hinged from side to side, as well as down the binding, so that it may form its own "easel" stand. To use this feature, lay the manual open on a table. Bend the full width of the manual along the creased hinge, until a resistance to further bending is felt. Then set the manual up on the table, with the bottom of the pages down against the table, and the top inclining away from you. It is supported from falling by the portion of the binder you have bent back. In this position your hands are free for building, making measurements, or troubleshooting.

The first part of this manual you should read is at the very end: the Updates section. Integrate this information into your manual before you begin.

CONTENTS OUTILNE

Detailed contents precede each section.

- I INTRODUCTION and GENERAL INFORMATION
 - II Sol POWER SUPPLY ASSEMBLY and TEST
 - III Sol-PC ASSEMBLY and TEST
 - IV PERSONALITY MODULE ASSEMBLY
 - V KEYBOARD ASSEMBLY and TEST
 - VI Sol CABINET-CHASSIS ASSEMBLY
 - VII OPERATING PROCEDURES
 - VIII THEORY OF OPERATION
 - IX SOFTWARE
 - X DRAWINGS
- APPENDICES
- UPDATES

PROCESSOR TECHNOLOGY CORPORATION

Sol TERMINAL COMPUTER™

LIST OF ILLUSTRATIONS

<u>FIGURE</u>	<u>TITLE</u>	<u>PAGE</u>
2-1	sol-20 fan closure plate assembly	II-7
2-2	Coaxial cable preparation	II-9
2-3	Aluminum heat sink installation	II-12
2-4	Sol-10 power supply subchassis assembly	II-15
2-5	Sol-20 power supply subchassis assembly	II-16
2-6	Sol-PC power connector and voltage measurements .	II-19
2-7	Sol-20 power connector and voltage measurements .	II-19
3-1	Identification of components	III-5
3-2	Clock circuit waveforms	III-15
3-3	Test probe for Steps 16B and 25B	III-16
3-4	Coaxial cable preparation	III-19
3-5	Display section timing waveforms	III-21
3-6	Bending selected pins on U42, 59 and 75	III-23
3-7	U14 through U21 socket jumpers	III-24
3-8	Display circuits test pattern	III-25
3-9	CPU Functional Test No. 1 display	III-29
3-10	CPU Functional Test No. 2 display	III-31
3-11	Personality module bracket/guide installation . .	III-31
4-1	R1 through R4 installation	IV-4
4-2	Handle bracket (Sol-1045) installation	IV-5
6-1	Types of screws used in Sol cabinet-chassis assembly	VI-4
6-2	Brackets used in Sol cabinet-chassis assembly . .	VI-4
6-3	Sol-20 with covers removed	VI-11
6-4	Sol-20 with covers removed	VI-11
6-5	Sol-PC coaxial cable connector assembly	VI-14
6-6	Backplane board (Sol-BPB) installation	VI-16
6-7	Backplane board (Sol-BPB) installation	VI-17
6-8	Protective foot pad installation	VI-20
7-1	Connecting the basic Sol system	VII-6
7-2	Sol control switch settings for terminal mode . .	VII-7
7-3	Location Of positioning adjustments, VR1 and VR2	VII-8

PROCESSOR TECHNOLOGY CORPORATION

Sol TERMINAL COMPUTERTM

ILLUSTRATIONS/TABLES

<u>FIGURE</u>	<u>TITLE</u>	<u>PAGE</u>
7-5	Connecting Sol to two cassette recorders	VII-29
7-6	Connecting Sol SDI to current loop device such as TTY	VII-31
7-7	Connecting Sol SDI to communications modem	VII-31
7-8	Connecting Sol PDI to parallel device	VII-32

<u>TABLE</u>	<u>TITLE</u>	<u>PAGE</u>
2-1	Sol Regulator Parts List	II-2,3
2-2	Sol-10 Power Supply Parts List	II-4
2-3	Sol-20 Power Supply Parts List	II-4
3-1	Sol-PC Parts List	III-2,3,4
4-1	PM2708 Personality Module Parts List	IV-1
5-1	Sol Keyboard Parts List	V-2,3
6-1	Sol-10 Cabinet-Chassis Parts List	VI-2
6-2	Sol-20 Cabinet-Chassis Parts List	VI-3
7-1	Sol Operating Controls and Their Functions	VII-2
7-2	Baud Rate Selection with Switch S3	VII-15
7-3	Word Length Selection with S4-2 & 3	VII-15
7-4	Sol Keyboard Assignments	VII-18
7-5	Control Character Symbols and Definitions	VII-23

I INTRODUCTION and GENERAL INFORMATION

1.1	Introduction	I-1
1.2	General Information	I-2
1.2.1	Sol-PC Description	I-1
1.2.2	Receiving Inspection	I-2
1.2.3	Warranty Information	I-2
1.2.4	Replacement Parts	I-2
1.2.5	Factory Service	I-2

1.1 INTRODUCTION

This manual supplies the information needed to assemble, test and use the Sol-PC Single Board Terminal Computer. We suggest that you first scan the entire manual before starting assembly. Then make sure you have all the parts and components listed in the "Parts List" (Table 3-1) in Section III. When assembling the module, follow the instructions in the order given.

Should you encounter any problem during assembly, call on us for help if necessary. If your completed module does not work properly, recheck your assembly step by step. Most problems stem from poor soldering, backward installed components, and/or installing the wrong component. Once you are satisfied that the module is correctly assembled, feel free to ask for our help.

1.2 GENERAL INFORMATION

1.2.1 Sol-PC Description

The Sol-PC is a single board microcomputer/terminal built around an 8080 microprocessor. Support circuitry permits full implementation of every 8080 function.

It features both parallel and serial communications interfaces, a keyboard interface, an audio cassette interface, a video display generator, 1024 8-bit words of system RAM (random access memory), 1024 8-bit words of display RAM, and a plug-in personality module with up to 2048 bytes of ROM (read only memory) stored program, and bus compatibility with all Processor Technology hardware and firmware products. Power requirements for the Sol-PC are +5 V dc +5% at 2.5 A, +12 V dc +5% at 150 mA and -12 V dc +5% at 200 mA.

Parallel interfacing is eight bits each for input and output plus control handshaking signals, and the output bus is tristated TTL for bidirectional interfaces. The serial interface circuit includes both asynchronous RS-232 and 20 mA current loop provisions, 75 to 9600 baud (switch selectable).

Seven-level ASCII encoded, TTL keyboard interfacing requires a 2 to 10 usec strobe pulse after data is stable. The dual rate, 300 or 1200 bps (bits per second), audio cassette interface is program controlled and self clocking with phase-lock loop. It includes automatic level control in both the record and playback modes. Recording is CUTS/Byte standard compatible, asynchronously Manchester coded at 1200/2400 Hz or 600/1200 Hz.

The video display circuitry generates sixteen 64 character lines from data stored in an on-card 1024 8-bit word display RAM. Alphanumeric and control characters (the full 128 upper and lower case plus control ASCII character set) are displayed black on white

or reverse (switch selectable). Solid video inversion cursors, with switch selectable blink, are programmable. The display output is standard EIA, 1.0 to 2.5 V p-p with composite negative sync, with a nominal bandwidth of 7 MHz. It can consequently be used to drive any standard video monitor. (A monochrome TV, converted for video input, can also be used. See Appendix VI.)

Included on the card are 1024 words of static, low power system RAM capable of full speed operation and a plug-in personality module which contains the software control program. Three personality modules are available for Sol:

CONSOL™--allows simple terminal operations plus direct control of the basic computer functions for entering or examining data in any memory location, or executing a program stored at a known location in memory.

SOLED™--allows advanced terminal operations with CONSOL plus screen, file and cassette tape editing/transmission operations.

SOLOS™--allows full stand-alone terminal-computer operation.

1.2.2 Receiving Inspection

When your kit arrives, examine the shipping container for signs of possible damage to the contents during transit. Then inspect the contents for damage. (We suggest you save the shipping materials for use in returning the kit to Processor Technology should it become necessary to do so.) If your Sol-PC kit is damaged, please write us at once describing the condition so that we can take appropriate action.

1.2.3 Warranty Information

In brief, parts which fail because of defects in materials or workmanship are replaced at no charge for 3 months for kits, and one year for assembled products, following the date of purchase. Also, products assembled by the buyer are warranted for a period of 3 months after the date of purchase; factory assembled units carry a one year warranty. Refer to Appendix I for the complete "Statement of Warranty".

1.2.4 Replacement Parts

Order replacement parts by component nomenclature (DM8131 IC or 1N2222 diode, for example) and/or a complete description (680 ohm, 1/4 watt, 5% carbon resistor, for example).

1.2.5 Factory Service

In addition to in-warranty service, Processor Technology also provides factory repair service on out-of-warranty Processor Technology products. Before returning the unit to us, first obtain our authorization to do so by writing us a letter describing the problem. After you receive our authorization to return the unit, proceed as follows:

1. Write a description of the problem.
2. Pack the unit with the description in a container suitable to the method of shipment.
3. Ship prepaid to Processor Technology Corporation, 6200 Hollis Street, Emeryville, CA 94608.

Your unit will be repaired as soon as possible after receipt and return shipped to you prepaid. (Factory service charges will not exceed \$20.00 without prior notification and your approval.)

II	Sol POWER SUPPLY ASSEMBLY and TEST	
2.1	Introduction	II-1
2.2	Parts and Components	II-1
2.2.1	Sol Regulator (Sol-REG)	II-1
2.2.2	Power Supply Subchassis and Components	II-2
2.3	Assembly Tips.	II-5
2.3.1	Electrical	II-5
2.3.2	Mechanical	II-5
2.4	Assembly Precautions	11-5
2.5	Required Tools, Equipment and Materials . .	II-6
2.6	Orientation	II-6
2.6.1	Sol-REG PC Board	II-6
2.6.2	Fan Closure Plate	II-6
2.7	Assembly-Test	II-6
2.7.1	Fan Closure Plate Assembly	II-7
2.7.2	Sol-REG Assembly and Test	II-10
2.7.3	Power Supply Subchassis Assembly and Test	II-14

2.1 INTRODUCTION

The Sol power supply consists of a regulator board plus additional chassis-mounted components. This section covers assembly and test of the complete power supply.

2.2 PARTS AND COMPONENTS

2.2.1 Sol Regulator (Sol-REG)

Check all parts and components against the appropriate "Parts List", Tables 2-1, 2-2 and 2-3. If you have difficulty in identifying any parts by sight, refer to Figure 3-1 on Page III-5 in Section III of this manual.

2.2.2 Power Supply Subchassis and Components

In addition to the Sol-REG, you will need the following parts and components supplied with the Sol Cabinet-Chassis Kit. Check these parts against the appropriate "Parts List(s)", Tables 6-1 and 6-2, in Section VI and separate them from the other cabinet-chassis parts.

Fan Closure Plate

Power Supply Subchassis (L-shaped)

4 each 4-40 x 3/16 Machine Screw

4 each 4-40 x 5/16 Machine Screw

4 each 4-40 Hex Nut

10 each #4 Lockwasher

14 each 6-32 x 1/2 Machine Screw

14 each 6-32 Hex Nut

16 each #6 Lockwasher

3 each 8-32 x 1/2 Machine Screw

3 each 8-32 Hex Nut

3 each #8 Lockwasher

11 each #6 x 1/4 Sheet Metal Screw

1 each #6 x 5/16 Sheet Metal Screw

2 each #4 Solder Lug

2 each 1/4" Spacer, 4-40 Tapped

Table 2-1. Sol Regulator Parts List.

<u>INTEGRATED CIRCUITS**</u> 1 1458 (U2) 1 7812 (U1) 1 7912 (U3)	<u>DIODES and RECTIFIERS</u> 1 MDA101A (FWB2) 1 MDA970-1 (FWB1) 1 IR106B2 or MCR106-2 (SCR1) 2 1N4001 (D3 & 4) 1 1N4148 (D2) 1 1N5231B (D1)
<u>TRANSISTORS</u> 2 2N2222 (Q2 & 3) 1 T1P41 (Q1)	
<u>RESISTORS</u> 1 0.1 ohm, 3 watt, 5% or 5 watt, 5% 1 68 ohm, 1/4 watt, 5% 1 330 ohm, 1/4 watt, 5% 2 1 K ohm, 1/4 watt, 5% 4 10 K ohm, 1/4 watt, 5% 1 56 K ohm, 1/4 watt, 5% 1 1690 ohm, 1/4 watt, 5% 1 4020 ohm, 1/4 watt, 5%	<u>CAPACITORS</u> 2 .1 ufd, disc 3 15 ufd, tantalum dipped 2 2500 ufd, tubular electrolytic 1 "18,000 ufd, electrolytic
<u>CABLE ASSEMBLIES</u> 1 *Single wire, 3" (Fuse Holder to Power Switch) 1 *Single wire, 3 1/4" (Power Switch to Commoning Block) 1 Two wire, 10" (C8 to Regulator Board)	

*Chassis-mounted component

**When identifying IC's, you can ignore prefix and suffix characters in the IC nomenclature since these vary with the manufacturer. For example a 1458CP, 1458CPI and MC1458N are all 1458. This applies to all Parts Lists in this manual.

Table 2-1. Sol Regulator Parts List (Continued).

<u>MISCELLANEOUS</u>	
1	Sol REG Circuit Board
1	Heat Sink, 690-220-P
1	Heat Sink, 203-AP
1	Heat Sink, aluminum
1	Package Heat Sink Compound
2	Coax Connector, female* (Video Output)
1	Coax Connector, male (Video Output Cable)
1	Coax Connector Adapter Sleeve (Video Output Cable)
1	*AC Receptacle, female
1	*Fuse Holder
1	*SPST Power Switch, pushbutton (S5)
1	AC Power Cord
2	*Commoning Blocks
1	*Clamp for C8, 1 1/2"
4	Tie Wraps
3	Mica Insulators
1	4-40 x 7/16 screw
1	4-40 x 5/8 screw
2	4-40 Hex Nut
1	6-32 x 1/2 screw, metal
2	6-32 x 1/2 screw, Nylon
3	6-32 Hex Nut
5	Lockwasher, internal tooth
1	Length Solder

*Chassis-mounted component

Table 2-2. Sol-10 Power Supply Parts List.

The Sol-10 Power Supply Kit includes all Sol-REG parts listed in Table 2-1 plus the following components:

-
- 1 *Power Transformer, T1
 - 1 *Fuse, 3 amp Slo-Blo (F1)

*Chassis-mounted component

Table 2-3. Sol-20 Power Supply Parts List.

The Sol-20 Power Supply Kit includes all Sol-REG parts listed in Table 2-1 plus the following components:

<hr/>	
<u>RESISTORS</u>	<u>CAPACITORS</u>
1 *39 ohm, 2 watt, 5%	1 *54,000 ufd, electrolytic
<u>RECTIFIERS</u>	<u>TRANSFORMERS</u>
1 *MDA980-1 (FWB3)	1 *Power Transformer, T2
<u>MISCELLANEOUS</u>	
1 *Fan	1 5-wire Cable Assembly
1 *Fan Guard	1 *Clamp for C9, 2 1/2"
1 *Fuse, 3 amp Slo-Blo	2 solder lug, internal tooth

*Chassis-mounted component

2.3 ASSEMBLY TIPS

2.3.1 Electrical

For the most part the assembly tips given in Paragraph 3.2 of Section III (Page III-1) apply to assembling the Sol regulator board and power supply.

In addition, scan Section II completely before you start to assemble the power supply.

2.3.2 Mechanical

1. If you do not have the proper screwdrivers (see Paragraph 2.5), we recommend that you buy them rather than using a knife point, a blade screwdriver on a Phillips screw, and other makeshift means. Proper screwdrivers minimize the chances of stripping threads, disfiguring screw heads and marring decorative surfaces.

2. To assure a correct fit and tight assembly, be sure you use the screws specified in the instructions.

3. Lockwashers are widely used in the power supply assembly so that screws will not loosen when subjected to stress or vibration. When a lockwasher is specified, do not omit it and make sure you install it correctly.

4. Some instructions call for prethreading holes. This is done to make assembly easier by giving you maximum working space for installing relatively hard-to-drive sheet metal screws. If you bypass prethreading instructions you will only make subsequent cabinet-chassis assembly more difficult.

To prethread a hole, insert specified screw in the hole and position it as straight as possible. While holding the screw in this position, drive it into the metal with the proper screwdriver. If started straight the screw will continue to go straight into the metal so that the head and sheet metal surfaces are in full contact.

5. The diameter of the shank (threaded portion) of a screw increases in relation to its number. For example, a 6-32 screw is larger in diameter than a 4-40 screw. Also, a #8 lockwasher is larger than a #4 lockwasher.

6. Heat sink compound is supplied with this kit in a small clear plastic package. It is a thick white substance which improves transfer between components and their heat sinks. To use the compound, pierce a small hole near the edge of the top surface of the plastic package, using a pin or sharp knife point. Squeezing the package will cause a small amount of the compound to ooze out

out of the hole, which may then be applied with a toothpick or small screwdriver blade. Spread a thin film of the compound on the mating surfaces of both the heat-generating component and the heat sink surface which it will contact. Then assemble as directed.

2.4 ASSEMBLY PRECAUTIONS

The precautions concerning soldering and the installation and removal of integrated circuits given in Paragraph 3.3 of Section III (Page 111-6) also apply to assembling the Sol regulator board.

2.5 REQUIRED TOOLS, EQUIPMENT AND MATERIALS

The following tools, equipment and materials are recommended for assembling the Sol regulator board:

1. Needle nose pliers
2. Diagonal cutters
3. Sharp knife
4. Screwdriver, thin 1/4" blade
5. Screwdriver, #2 Phillips
6. Controlled heat soldering iron, 25 watt
7. 60-40 rosin-core solder (supplied)
8. Volt-ohm meter
9. Ruler

2.6 ORIENTATION

2.6.1 Sol-REG PC Board

Location C5 (2500 ufd capacitor) will be located in the lower right-hand corner of the circuit board when locations SCR1, Q1 and FWB1 are positioned along the top of the board. In this position the component (front) side of the board is facing up and the horizontal legends will read from left to right; the other legends will read from bottom to top. Subsequent position references related to the Sol-REG board assume this orientation.

2.6.2 Fan Closure Plate

The large circular cutout will be located in the upper right quadrant of the plate when the heavy gauge doubler plate is facing up. In this position the rectangular cutouts are on the left, the front side of the plate is facing down, the back side is facing up, and the small circular cutout is at the bottom. We suggest you label the two sides.

2.7 ASSEMBLY-TEST

NOTE: Instructions that apply only to the Sol-20 are preceded by an asterisk. Skip these instructions if you are assembling a Sol-10.

2.7.1 Fan Closure Plate Assembly

Refer to Assembly Drawings on Pages X-1 and 2 in Section X.
(Figure 2-1 shows a completed fan closure plate assembly.)

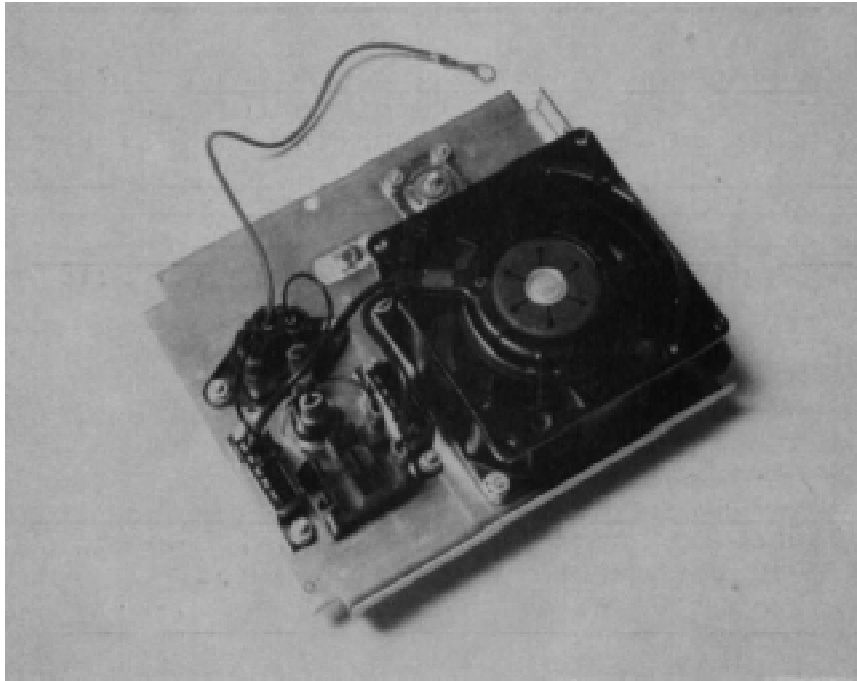


Figure 2-1. Sol-20 fan closure plate assembly.
(Top of plate in foreground.)

* () Step 1. Mount cooling fan and guard to fan closure plate.

Insert four 6-32 x ½" binder or pan head screws from back side of fan closure plate. (Use the holes positioned in each quadrant of the large circular cutout.) Slip fan guard over screws on front side of plate. Position fan so that air flow will be from front to back side of plate and with its leads next to the rectangular cutouts in the plate. Place #6 lockwasher on each screw and secure with 6-32 hex nut.

WARNING

FAILURE TO INSTALL FAN GUARD MAY RESULT
IN DAMAGE TO THE Sol AND/OR PERSONAL
INJURY.

() Step 2. Install power on-off switch in upper rectangular cutout in fan closure plate.

(Step 2 continued on Page il-S.)

Bend four retainer tabs on switch in and position switch with terminals facing front side of fan closure plate. Push switch unit from back side of plate through mounting hole and bend retainer tabs outward if needed to hold switch in place.

- () Step 3. Install commoning blocks (Item 6 on drawing on Page X-1) on front side of fan closure plate, one on each side of on-off switch.

Position each block with terminal #1 at top and terminal #5 at bottom and attach each block to front side of fan closure plate with two 6-32 X 1/2 binder or pan head screws. Insert screws from back side of plate, place block over screws, on front side of plate, put #6 lockwasher on each screw and secure with 6-32 hex nut.

- () Step 4. Install fuse holder in mounting hole located between the two rectangular cutouts in the fan closure plate.

Insert fuse holder from back side of plate, position large tab at top, next to on-off switch, and secure holder to plate with the large lockwasher and nut supplied with holder.

- () Step 5. Install AC Power cord receptacle on fan closure plate.

Position receptacle on front side of fan closure plate over the rectangular cutout below fuse holder. Orient receptacle with green lead at the bottom and align the receptacle and closure plate mounting holes. Insert two 6-32 x 1/2 binder or pan head screws from back side of plate through each mounting hole, put #6 lockwasher on each screw and secure with 6-32 hex nut. Be sure receptacle is properly seated in cutout before tightening to avoid damage.

- () Step 6. Install female coaxial connector on fan closure plate.

Insert connector from front side of plate so that the threaded end projects through to the back side. Then insert four 4-40 X 5/16 binder or pan head screws from back side of plate through the four connector and plate mounting holes. Place #4 lockwasher on each screw except the upper one which is closest to the AC receptacle. Secure with 4-40 hex nuts. (Leave upper nut closest to receptacle loose.)

- () Step 7. Prepare RG59/U coaxial cable.

Cut a 13" piece of coaxial cable from that supplied with the Sol-PC kit. Strip away one inch of the outer insulation at both ends to expose shield. Unbraid shield at one end and twist it into a single lead. Do the same thing at the other end. Tin shield lead at each end and solder a #4 lug to each lead. Then remove 1/2" of the inner conductor insulation at both ends. (See Figure 2-2.)

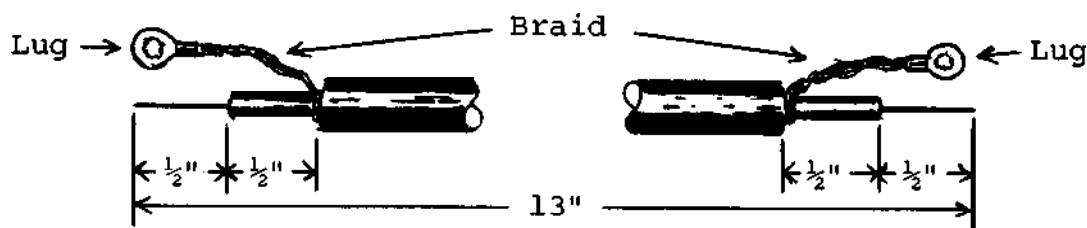


Figure 2-2. Coaxial cable preparation.

- () Step 8. Connect coaxial cable to coaxial connector installed in Step 6.

Solder inner conductor on one end to the pin of the connector. Remove hex nut on upper connector mounting Screw closest to AC receptacle, place lug (coaxial shield) on screw and reinstall hex nut.

- () Step 9. Connect fan closure plate wiring.
- () Install the 3" power switch-to-commoning block cable supplied with your Sol-REG kit. Connect the female spade lug end to the upper terminal of the on-off switch and the commoning block lug end to the #1 terminal of the commoning block closest to the fan. NOTE: To install commoning block lugs, position lug with its open side facing away from the terminal numbers on the block. Then gently push lug into appropriate terminal receptacle until it is fully seated.
 - () Install the 3 1/4" fuse holder-to-power switch cable supplied with your Sol-REG kit. (This cable has female spade lugs at both ends.) Connect one end to the bottom terminal of the on-off switch and the other to the longer male spade lug on the fuse holder.
 - () Connect the AC receptacle wire closest to the fan to the other fuse holder lug. NOTE: The green AC receptacle wire will be connected later.
 - () Connect other AC receptacle wire to terminal #4 on the commoning block furthest away from the fan.
 - * () Connect upper wire of fan cord to terminal #3 of the commoning block closest to fan.
 - * () Connect lower wire of fan cord to terminal #5 of commoning block furthest from fan.
 - () Put fan closure assembly aside.

2.7.2 Sol-REG Assembly and Test

Circuit references, values and outlines are printed on the component side of the board to assist in assembly.

- () Step 10. Visually check Sol-REG board for solder bridges (shorts) between traces, broken traces and similar defects.

If visual inspection reveals any defects, return the board to Processor Technology for replacement. If the board is not defective, proceed to next paragraph.

- () Step 11. Install the following resistors in the indicated locations. Bend leads to fit distance between mounting holes, insert leads, pull down snug to board, solder and trim.

<u>LOCATION</u>	<u>VALUE (ohms)</u>	<u>COLOR CODE</u>
() R1	.1, 3 watt	none
() R2	330 5 watt	orange-orange-brown
() R3	10 K	brown-black-orange
() R4	10 K	" " "
() R5	1 K	brown-black-red
() R6	68	blue-gray-black
() R7	10 K	brown-black-orange
() R8	1 K	brown-black-red
() R9	56 K	green-blue-orange
() R10	10 K	brown-black-orange
() R11	1690	bronw-blue-white-brown
() R12	4020	yellow-black-red-brown

- () step 12. Install U2 (1458) in its location between C2 and C3. U2 is positioned with pin 1 in the lower left-hand corner and soldered into place. See "Loading DIP Devices" in Appendix IV.

- () Step 13. Install diodes D1 (1N5231B), D2 (1N4148), D3 and D4 (1N4001). Bend leads to fit distance between mounting holes, insert leads, pull down snug to board, solder and trim. BE SURE to position D1 with its cathode (dark band) to the left, D2 and D3 with their cathode at the bottom, and D4 with its cathode at the top.

- () Step 14. Install the following capacitors in the indicated locations. Take care to observe the proper value, type and orientation, if applicable, for each installation. Bend leads outward on solder (back) side of board, solder and trim.

(See NOTE on Page 11-11.

NOTE

Disc capacitor leads are usually coated with wax during the manufacturing process. After inserting leads through mounting holes, remove capacitor and clear the holes of any wax. Reinsert and install.

	LOCATION	VALUE (ufd)	TYPE	ORIENTATION
()	C1	15	Tantalum	"+" lead bottom right
()	C2	.1	Disc	None
()	C3	.1	Disc	None
()	C6	15	Tantalum	"+" lead right
()	C7	15	Tantalum	"+" lead left

() Step 15. Install 2500 ufd capacitors in locations C4 and C5. Bend leads to fit distance between mounting holes, insert leads, pull down snug to board, solder and trim. Be sure to install C4 with its "+" lead to the right and C5 with its "+" lead to the left.

() step 16. Install Q2 and Q3 (2N2222) in their locations. The emitter lead (closest to tab on can) of Q2 is oriented toward the left and the base lead toward the bottom. The emitter lead of Q3 is oriented toward the bottom and the base lead toward the right.

() Step 17. Read assembly tip 6, on page 11-5. Apply heat sink compound to the inside of the small black "star-shaped" cooling fin, and install it, with the cylindrical grip down, on Q2 by slipping it down onto the can. Be sure heat sink does not touch any other component on the board.

() Step 18. Install bridge rectifier FWB 2 (MDA101A) in its location at the bottom of the board. Apply heat sink compound, per Assembly tip 6 on page 11-5. Position FWB2 with its "+" lead at the top and its "-" lead at the bottom, insert leads, solder and trim.

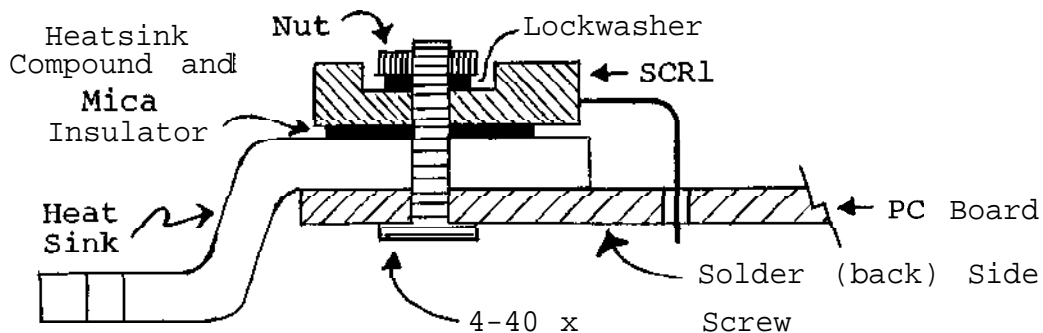
() Step 19. Install large heat sink, U1 and U3 in their locations on the bottom left corner of the circuit board.

() Position large black heat sink, (flat side to board) over the square foil area in the lower left corner of the PC board. Orient sink so that the two triangular cutouts in the sink are over the two triangles of mounting holes in the board.

() Position U1 (7812) on heat sink and observe how leads must be bent to fit mounting holes. Note that the center lead must be bent down approximately 0.2 inches.

further from the body than the other two leads. Bend leads so that no contact is made with the heat sink when U1 is flat against the sink and its mounting hole is aligned with the holes in the sink and PC board. Apply heat sink compound per Assembly Tip 6, on page 11-5. Fasten U1 and sink to board using a 6-32 x 1/2 metal screw, lockwasher and nut. Insert screw from back (solder) side of board and drive nut finger tight.

- () Position U3 (7912) on heat sink, determine how leads must be bent as you did for U1, and bend leads. Place a rectangular mica insulator over the leads of U3 so that it fully covers the bottom side of the U3 package. Apply heat sink compound to U3, the heat sink, and both sides of the mica insulator. Bend the two outside leads of U3 slightly in toward the center lead, insert leads in mounting holes as you did for U1, and fasten U3 to heat sink and PC board using a 6-32 x 1/2 Nylon screw, lockwasher and nut. Insert screw from back (solder) side of board and drive nut finger tight.
- () Position heat sink, U1 and U3 as needed to obtain correct fit and tighten the U1 and U3 mounting screws. REMEMBER, NO LEADS CAN CONTACT THE SINK. Solder all leads and trim if required.
- () Step 20. Install aluminum heat sink, SCR1, Q1 and bridge rectifier FWB1.
- () Position aluminum heat sink (see Figure 2-3) along top of PC board so that the three holes in one side of the sink are aligned with the SCR1, Q1 and FWB1 mounting holes in the PC board.



(Left end, cross-section view)

Figure 2-3. Aluminum heat sink installation.

- () Position Q1 (TIP41), with component nomenclature up, on heat sink so hole in Q1 package is aligned with the holes in sink and PC board. Observe how the leads of Q1 must be bent down to fit the pads for Q1 and bend them accordingly. Apply heat sink compound to Q1, the heat sink, and both sides of the rectangular mica insulator. Place mica insulator between heat sink and Q1, insert leads (emitter lead to right) and fasten Q1, insulator and heat sink to board with a 6-32 x 1/2 Nylon screw, lockwasher and nut. Insert screw from back (solder) side of board and drive nut finger tight.
- () Position FWB1 (MDA970-1), with "+" lead to the right, on heat sink, determine how leads must be bent as you did for Q1, and bend leads. Apply heat sink compound. Insert leads ("+" lead to right) and fasten FWB1 and heat sink to PC board with a 4-40 x 5/8 screw, lockwasher and nut. Insert screw from back (solder) side of board and drive nut finger tight.
- () Position SCR1 (IR106B2 or MCR106-2) on heat sink with component nomenclature up and prepare it for installation as you did Q1 and FWB1. Apply heat sink compound to SCR1, the heat sink, and both sides of the circular mica insulator. Place the mica insulator between the heat sink and SCR1, insert leads and fasten SCR1, insulator and heat sink to PC board with a 4-40 x 7/16" screw, lockwasher and nut. Insert screw from back (solder) side of board and drive nut finger tight.
- () Check alignment of heat sink, SCR1, Q1 and FWB2 and tighten the three mounting screws. Solder all leads and trim if required. Wipe off excess heat sink compound, if necessary. NOTE: The heat sink may have to be repositioned when you mount the Sol-REG on the power supply subchassis. This will require that you loosen the mounting screws for SCR1, Q1 and FWB2 and retighten them after repositioning the heat sink.
- () Step 21. Connect two wire cable assembly (C8 to Regulator Board cable) to regulator. Tin ends without lugs and solder green (+) lead to pad X2 and white (-) lead to pad X3.
- () Step 22. Test Sol-REG for short circuits. Check for continuity between FWB1 (MDA970-1) mounting screw and the following points: (The resistance should be greater than 20 ohms in all cases.)

x2	Q1, Base	D3, top lead
T2	Q1, Collector	D4, top lead
T1	D1, right-hand lead	*D3, bottom lead
Q1, Emitter	R1, left-hand lead	*D4, bottom lead

*Resistance will be initially low due to C4 and C5, but it should increase to greater than 20 ohms after a few seconds.

- () Step 23. Set Sol-REG to one side.

2.7.3 Power Supply Subchassis Assembly and Test

- () Step 24. Mount transformer (T1 for Sol-10, T2 for Sol-20) on power supply subchassis (L-shaped chassis).

Position transformer as shown in drawing on Page X-2 and attach it to the subchassis with three 8-32 x 1/2 binder or pan head screws, #8 lockwashers and 8-32 hex nuts. Insert screws from bottom and outer side of chassis as shown. Place lockwasher on each screw and secure loosely with hex nuts. Slide transformer as close as possible to the edge of the chassis and tighten nuts.

NOTE

Only one of the holes in the side wall is used. Use the one that lines up with the transformer mounting tab.

- () Step 25. Prepare transformer leads.
 - () Twist the two black wires together except for the last two inches at the commoning block lug end.
 - () Twist the two green wires together for their full length.
 - () Twist the two yellow wires together for their full length.
 - *() Twist the two blue wires together for their full length.
- () Step 26. Connect Sol-PC power cable (4-wire cable which connects to J10 on Sol-PC) to Sol-REG. Tin ends of cable and solder green lead to pad X9, white lead to pad X1, red lead to pad X7 and white-yellow lead to pad X8.
- *() Step 27. Connect Sol-20 DC power cable (5 wire) to Sol-REG. Tin ends of cable and solder white lead to pad X4 (above R8), red-white lead to pad X5 (between C5 and FWB2) and yellow-white lead to pad X6 (left of C5).
- () Step 28. Connect transformer leads to Sol-REG.
 - () Solder green leads to pads T1 and T2, white-yellow lead to pad T3 and yellow leads to pads T4 and T5 on Sol-REG circuit board.
- () Step 29. Prethread the three Sol-REG heat sink mounting holes in the power supply subchassis shown in drawing on page X-2 with #6 x 5/16 sheet metal screws. Remove screws.

- () Step 30. Place #4 lockwashers on two 4-40 x 3/16 binder or pan head screws. Insert these screws from the bottom side of the power supply subchassis through the two mounting holes located near the middle of the bottom of the power supply subchassis, one on each side. Place another #4 lockwasher on the screws and drive each screw tightly into a 4-40 x 1/4 tapped spacer.
- () Step 31. Position Sol-REG PC board with top edge over the previously installed spacers. Place #4 lockwashers on two 4-40 x 3/16 binder or pan head screws and drive screws through Sol-REG board into spacers.
- () Step 32. Attach heat sink on Sol-REG to power supply subchassis as shown in drawing on Page X-2. At this point use only the two side screws which you used in Step 29 to pre-thread the holes. (The middle screw will be installed later.) Place a #6 lockwasher on each screw before driving it through the sink into the subchassis. Figure 2-4 shows an assembled Sol-10 power supply subchassis.

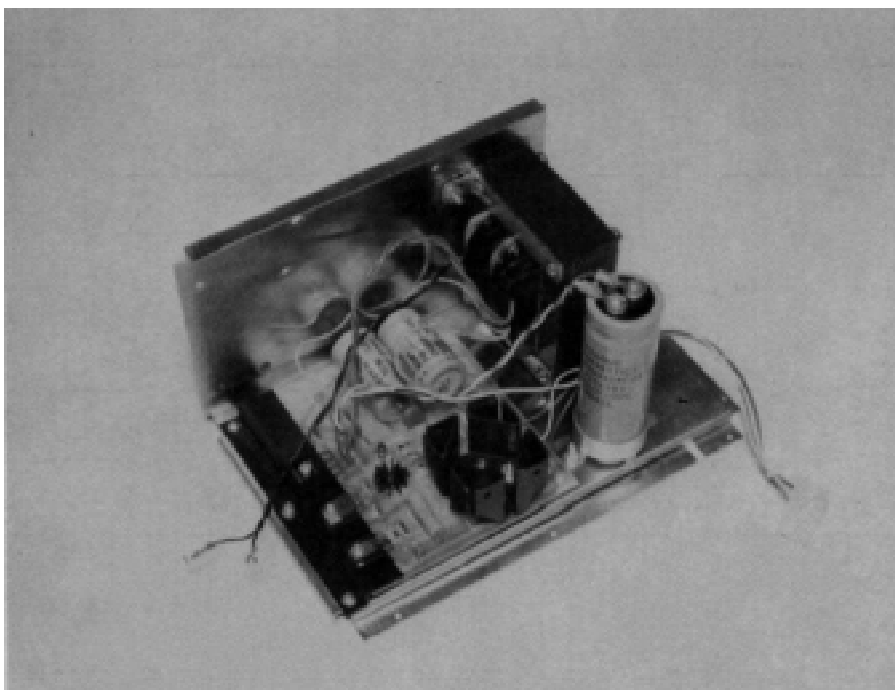


Figure 2-4. Sol-10 power supply subchassis assembly.
(Rear of subchassis at left.)

- *() Step 33. Install bridge rectifier FWB3 on power supply subchassis.

(Step 33 continued on Page 11-16.)

Position FWB3 (MDA980-1) on power supply subchassis as shown in drawing on Page X-2. BE SURE NEGATIVE (-) TERMINAL OF FWB3 is next to transformer. Insert a 6-32 x. $\frac{1}{2}$ binder or pan head screw from bottom of subchassis, place #6 lockwasher on screw and secure with 6-32 hex nut.

- * () Step 34. Connect blue transformer wires to unmarked terminals of FWB3.
- * () Step 35. Install large ($2\frac{1}{2}$ ") mounting ring for C9 (54,000 ufd capacitor) on side wall of power supply subchassis as shown in drawing on Page X-2.

Position ring over the three mounting holes in the side wall of subchassis so the clamping screw faces the bottom of subchassis and so it will be accessible from the Sol-REG end of the subchassis. Insert three 6-32 x $\frac{1}{2}$ binder or pan head screws from outer side of side wall through the mounting holes. Place #6 lockwasher on each screw and secure with 6-32 hex nut. Figure 2-5 shows an assembled Sol-20 power supply subchassis.

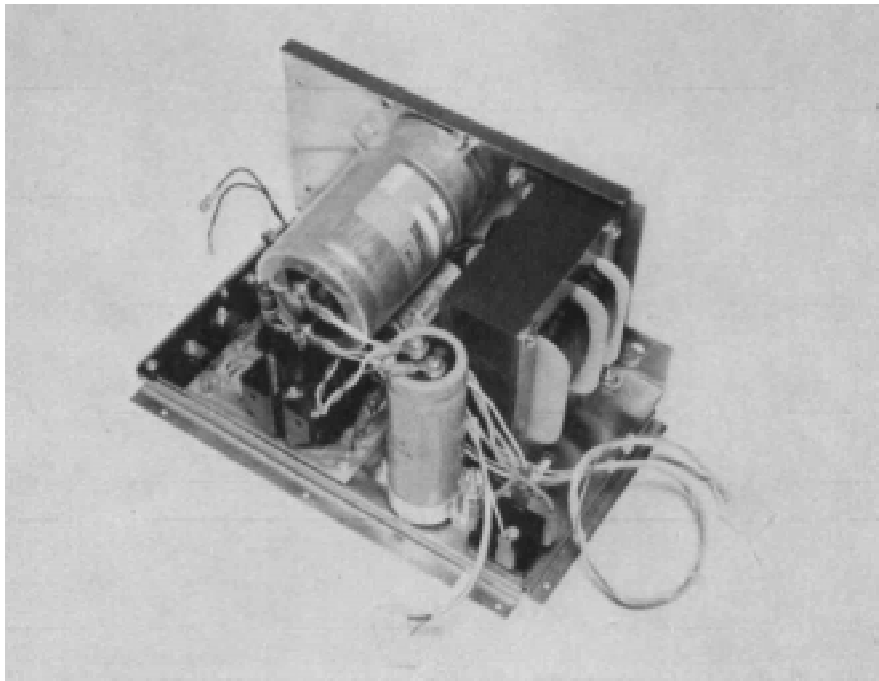


Figure 2-5. Sol-20 power supply subchassis assembly.
(Rear of subchassis at left.)

- () Step 36. Install small ($1\frac{1}{2}$ ") mounting ring for C8 (18,000 ufd capacitor) as shown in drawing on Page X-2.

(Step 36 continued on Page 11-17.)

Position ring over the two mounting holes located between FWB3 and the Sol-REG so that the clamping screw is positioned between the transformer and FWB3. Insert two 6-32 x 1/2 binder or pan head screws from bottom side of chassis through the mounting holes. Place #6 lockwasher on each screw and secure with 6-32 hex nut. (Refer to Figure 2-4.)

- () Step 37. Route Sol-PC power cable between C8 mounting ring and the transformer, mount C8 in its mounting ring, and tighten clamping-screw. (See Figure 2-4.)
- () Step 38. Connect white wire of C8 cable to negative (-) terminal of C8 and green wire to positive (+) terminal of C8. (This cable was soldered to the Sol-REG when you assembled it.) Remove terminal screws, place #10 lockwasher on each screw, place cable lugs on screws and drive screws tightly into appropriate terminals.
- *() Step 39. Mount C9 in its mounting ring with its "+" terminal slightly toward C8 and tighten clamping screw. (See Figure 2-5.)
- *() Step 40. Prepare R13 (39 ohm 2 watt) for installation on C9.
Solder a #10 lug to each lead of R13. Bend leads of R13 to fit the terminals of C9. (R13 should fit on C9 as shown in Figure 2-5.)
- *() Step 41. Connect Sol-20 DC power cable (5 wire) and R13 to C9. Route cable between C8 and transformer.

Remove terminal screws from C9. Place lockwasher, terminal screw, blue lead of Sol-20 DC cable and one R13 lead on one terminal screw and drive it into the positive (+) terminal on C9. Attach lockwasher, white cable lead and other R13 lead to negative (-) terminal on C9 in the same manner. Tighten both capacitor terminals tightly.

CAUTION

LOOSE CONNECTIONS ON C9 CAN LEAD TO ARC-
ING AND SUBSEQUENT POWER SUPPLY DAMAGE.

- *() Step 42. Connect blue pigtail of Sol-20 DC cable to positive (+) terminal of FWB3. (This pigtail has a spade lug at its free end and is connected to the lug you just attached to the positive terminal of C9.) Connect white pigtail of Sol-20 DC cable to negative (-) terminal of FWB3. (This pigtail has a spade lug at its free end and is connected to the lug you just attached to the negative terminal of C9.)

- () Step 43. Connect green lead from AC receptacle (mounted on fan closure plate) to power supply subchassis assembly as shown in drawing on Page X-2. (Use the #6 x 1/4 sheet metal screw with which you prethreaded the middle Sol-REG heat sink mounting hole in Step 29.) Place lug on screw and drive screw into the middle Sol-REG heat sink mounting hole.
- () Step 44. Route black transformer leads along side wall of power supply subchassis out toward the Sol-REG heat sink. (See Figure 2-4.) Attach one lead to pin 2 of the commoning block (mounted on fan closure plate) nearest the fan. Attach other lead to pin 3 of the other commoning block.
- () Step 45. Install cable tie wraps.
 - () Install one wrap around the wires that connect to Sol-REG pads T1,2,3,X2 and X3 as shown in the Detail A - Wiring portion of the drawing on Page X-2.
 - *() Install another wrap around the leads from C9 as shown in Detail B of drawing on Page X-2.

Two other wraps are supplied with your kit. Use them as appropriate to make your power supply cabling neater.
- () Step 46. Using a #6 x 1/4 sheet metal screw, attach fan closure plate to power supply subchassis as shown in Drawing No. X-2.
- () Step 47. Push on-off switch in and out to determine the OFF position (switch mechanically out). With switch in OFF position, connect AC power cord to AC receptacle. Then plug power cord into 110 V ac outlet.
- () Step 48. Test power supply for proper operation.
 - () Make sure on-off switch is in OFF position.
 - () Install fuse in fuse holder. CAUTION: NEVER INSTALL OR REMOVE FUSE WITH POWER ON.
 - () Check connector on Sol-PC power cable (4 wire) to insure it is wired as shown in Figure 2-6.
 - *() Check connector on Sol-20 power cable (5 wire) to insure it is wired as shown in Figure 2-7.
 - () Turn on-off switch ON.
 - () Measure the voltages at the Sol-PC connector at the points indicated in Figure 2-6. The voltages must be as given in Figure 2-6. NOTE: Do not take voltage measurements at any other points in the power supply, even through they may be more accessible. It is important that the indicator voltages be available at the connector.

- *() Measure the voltages at the Sol-20 connector at the points indicated in Figure 2-7. The voltages must be within the ranges given in Figure 2-7. (See preceding NOTE.)
- () If the power supply fails any of the preceding tests, locate and correct the cause before proceeding.

If the power supply is operating correctly, turn on-off switch OFF, disconnect power cord, set power supply to one side and go on to Section III.

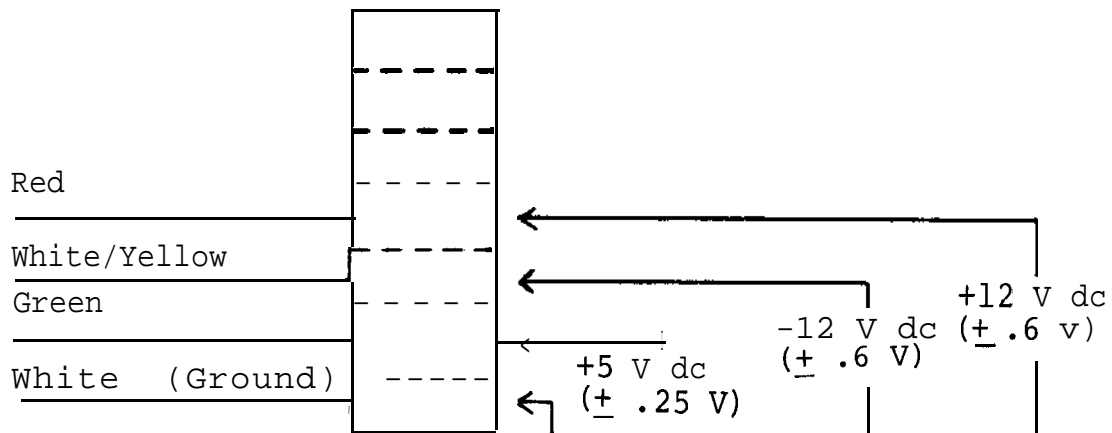


Figure 2-6. Sol-PC power connector and voltage measurements.

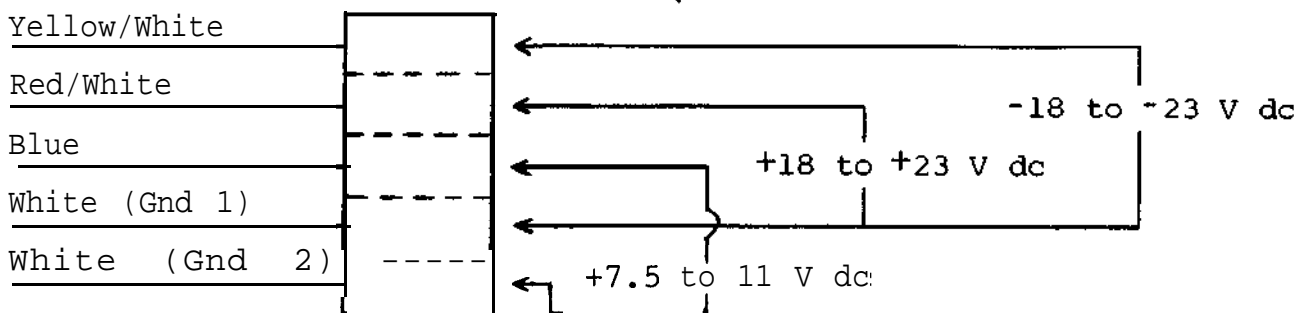


Figure 2-7. Sol-20 power connector and voltage measurements.

III Sol-PC ASSEMBLY and TEST

3.1	Parts and Components	III-1
3.2	Assembly Tips	III-1
3.3	Assembly Precautions	III-6
3.3.1	Handling MOS Integrated Circuits . .	III-6
3.3.2	Soldering	III-6
3.3.3	Power Connection (J10)	III-6
3.3.4	Installing and Removing Integrated Circuits	III-6
3.3.5	Installing and Removing Personalit Module	III-6
3.3.6	Use of Clip Leads	III-7
3.4	Required Tools, Equipment and Materials . .	III-7
3.5	Orientation (Sol-PCB)	III-7
3.6	Sol-PC Assembly-Test Procedure	III-7
3.6.1	Circuit Board Check	III-8
3.6.2	Personality Module Assembly	III-9
3.6.3	Sol-PCb Assembly and Test	III-9
3.6.4	Modification for 625 Line Video . . .	III-40

3.1 PARTS AND COMPONENTS

Check all parts and components against the "Parts List" on Pages III-2 through III-4 (Table 3-1). If you have difficulty in identifying any parts by sight, refer to Figure 3-1 on Page 111-5.

3.2 ASSEMBLY TIPS

1. Scan Sections III and IV in their entirety before you start to assemble your Sol-PC kit.
2. In assembling your Sol-PC, you will be following an integrated assembly-test procedure. Such a procedure is designed to progressively insure that individual circuits and sections in the Sol-PC are operating correctly. IT IS IMPORTANT THAT YOU FOLLOW THE STEP-BY-STEP INSTRUCTIONS IN THE ORDER GIVEN.
3. Assembly steps and component installations are preceded by a set of parentheses. Check off each installation and step as you complete them. This will minimize the chances of omitting a step or component.
4. When installing components, make use of the assembly aids that are incorporated on the circuit boards and the assembly drawings. (These aids are designed to assist you in correctly installing the components.)
 - a. The circuit reference (R3, C10 and U20, for example) for each component is silk screened on the PC boards near the location of its installation.
 - b. Both the circuit reference and value or nomenclature (1.5K and 74H00, for example) for each component are included on the assembly drawings near the location of its installation.
5. To simplify reading resistor values after installation, install resistors so that the color codes or imprints read from left to right and top to bottom as appropriate (boards oriented as defined in Paragraph 3.5 on Page 111-7).
6. Unless specified otherwise, install components, especially disc capacitors, as close as possible to the boards.
7. Should you encounter any problem during assembly, call on us for help if needed.

Table 3-1. Sol-PC Parts List.

<u>INTEGRATED CIRCUITS</u>	
1 AM0026 or DMO026 (U104)	1 74S04 (U92)
1 4N26 (U39)	2 7406 (U57,87)
1 8T94 (U58)	2 74LS10 (U47,61)
5 8T97 (U67,68,77,80,81)	3 74LS20 (U23,59,83)
2 1458CP or 1558CP (U56,108)	1 74LS86 (U74)
1 1489A (U38)	8 74LS109 (U43,52,63,64,70, 72,73,75)
2 TMS6011NC (U51,69)	1 74LS136 (U22)
1 MCM6574 or MCM6575 (U25)	3 74LS138 (U34,35,36)
1 4001 (U102)	3 74LS157 (U12,30,32)
2 4013 (U100,113)	4 74LS163 or 25LS163 (U28,31,33,40)
1 4019 (U111)	1 74166 (U41)
1 4023 (u98)	2 74173 (U95,96)
1 4024 (U86)	1 74175 (U97)
1 4027 (U101)	9 74LS175 or 25LS175 (U2,13,26,27,42,76,90,93,106)
3 4029 (U1,11,84)	4 74LS253 (U65,66,78,79)
1 4030 (U99)	7 74LS367 (U29,37,50,71,89, 94,107)
2 4046 (U85,110)	1 8080, 8080A or 9080A (U105)
2 4049 (U88,109)	1 8836 or 8T380 (U46)
1 4520 (U112)	16 91L02APC or 2102L1PC (U3 - 10, U14 - 21)
1 74H00 (U91)	1 93L16 (U62)
3 74LS00 (U44,48,55)	
2 74LS02 or 9LS02 (U53,60)	
4 74LS04 (U24,45,49,54)	
<u>TRANSISTORS</u>	<u>DIODES</u>
2 2N2222 (Q4 & Q5)	9 1N4148 or 1N914 (D1,D3 - 10)
2 2N2907 or 2N3460 (Q1 & Q2)	1 1N5231B Zener Diode (D11)
1 2N4360 (Q3)	4 1N4001 (D2,12,13,14)
<u>CRYSTAL</u>	<u>RELAYS</u>
1 14.318 MHz in HC-18/U Case (XTAL)	2 DIP Reed, Sigma 191-TE1A15S (K1 & K2)

PROCESSOR TECHNOLOGY CORPORATION
TM

501-PC SINGLE BOARD TERMINAL COMPUTER (Continued)

SECTION III

Table 3-1. Sd-PC Parts List (Continued).

<u>RESISTORS</u>	<u>CAPACITORS</u>
2 6.8 ohm, ½ watt, 5%	1 10 pfd, disc
2 47 ohm, ¼ watt, 5%	1 330 pfd, disc
1 75 ohm, ¼ watt, 5%	1 470 pfd, disc
1 100 ohm, ¼ watt, 5%	3 680 pfd, monolythic or disc ceramic (labeled 681 and usually blue)
3 100 ohm, ½ watt, 5%	6 .001 ufd,
1 200 ohm, ¼ watt, 5%	2 .001 ufd,
13 330 ohm, ¼ watt, 5%	2 .01 ufd,
1 330 ohm, ½ watt, 5%	37 .047 ufd,
3 470 ohm, ¼ watt, 5%	12 .1 Ufd,
2 470 ohm, ½ watt, 5%	1 .1 ufd,
9 680 ohm, ¼ watt, 5%	1 .68 ufd,
63 1.5K ohm, ¼ watt, 5%	1 1 ufd, tantalum dipped (usually orange or red)
1 3.3K ohm, ¼ watt, 5%	5 15 ufd, tantalum dipped (usually orange or red)
6 5.6K ohm, ¼ watt, 5%	1 100 ufd, aluminum electrolytic
32 10 K ohm, ¼ watt, 5%	
1 15 K ohm, ¼ watt, 5%	
2 39 K ohm, ¼ watt, 5%	
1 47 K ohm, ¼ watt, 5%	
3 50 K ohm, Potentiometer	
4 100 K ohm, ¼ watt, 5%	
2 150 K ohm, ¼ watt, 5%	
2 1 M ohm, ¼ watt, 5%	
1 2.2M ohm, ¼ watt, 5%	
2 3.3M ohm, ¼ watt, 5%	
<u>CONNECTORS</u>	
1 25-pin Female, AMP206584-2 (J1)	
1 25-pin Male, AMP206604-1 (J2)	
2 20-pin Header, 3M3492-2002 (J3 & J4)	
1 30-pin Right Angle Edge Connector, VIKING 3KH15/1JKC15 (J5)	
2 Miniature Phone Jack (J6 & J7)	
2 Subminiature Phone Jack (J8 & J9)	
1 7-pin Male Locking Molex Connector (J10)	
1 100-pin Edge Connector, TI H322150-0306A (J11)	
1 Molex-type DC Power Cable, mates with J10 (prefabricated)	

Table 3-1. Sol-PC Parts List (Continued).

MISCELLANEOUS	
1 Sol-PCB Circuit Board	length of #24 bare wire
2 8-pin DIP Socket	
29 14-pin DIP Socket	
74 16-pin DIP Socket	
1 24-pin DIP Socket	
3 40-pin DIP Socket	
16 Augat Pins on Carrier	
2 DIP Switch, 6 position (S1 & S4)	
2 DIP Switch, 8 position (S2 & S3)	
1 4-foot Length 72-ohm Coaxial Cable	
1 Tie Wrap for Coaxial Cable	
2 Mounting Bracket, Sol-1040	
2 Card Guide, SAE1250F	
10 #4 Lockwasher, internal tooth	
2 #4 Insulating Washer	
4 4-40 x 1/4 Binder Head Screw	
6 4-40 x 7/16 Binder Head Screw	
2 4-40 x 5/8 Binder Head Screw	
10 4-40 Hex Nut	
1 Length Solder	
1 Manual	
1 Personality Module Kit (See Section IV for contents.)	

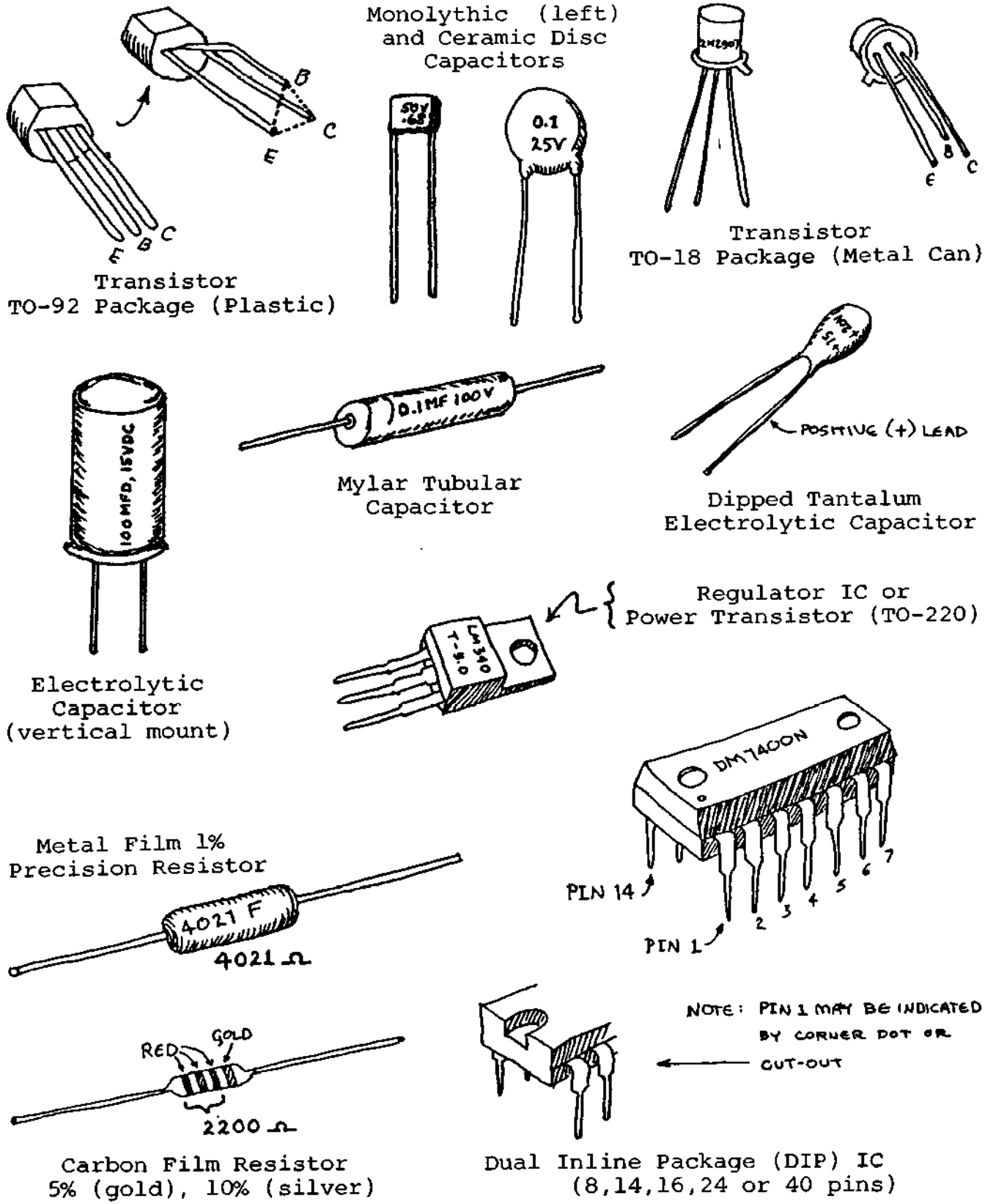


Figure 3-1. Identification of components.

3.3 ASSEMBLY PRECAUTIONS

3.3.1 Handling MOS Integrated Circuits

Many of the IC's used in the Sol-PC are MOS devices. They can be damaged by static electricity discharge. Always handle MOS IC's so that no discharge will flow through the IC. Also, avoid unnecessary handling and wear cotton--rather than synthetic--clothing when you do handle these IC's.

3.3.2 Soldering ****IMPORTANT****

1. Use a fine tip, low-wattage iron, 25 watts maximum.
2. DO NOT use excessive amounts of solder. DO solder neatly and as quickly as possible.
3. Use only 60-40 rosin-core solder. NEVER use acid-core solder or externally applied fluxes.
4. To prevent solder bridges, position iron tip so that it does not touch adjacent pins and/or traces simultaneously.
5. DO NOT press tip of iron on pad or trace. To do so can cause the pad or trace to "lift" off the board and permanently damage the board.
6. The Sol-PC uses circuit boards with plated-through holes. Solder flow through to the component (front) side of the board can produce solder bridges. Check for such bridges after you install each component.
7. The Sol-PC circuit boards have integral solder masks (a lacquer coating) that shield selected areas on the boards. This mask minimizes the chances of creating solder bridges during assembly. DO, however, check all solder joints for possible bridges.
8. Additional pointers on soldering are provided in Appendix IV of this manual.

3.3.3 Power Connection (J10)

NEVER connect the DC power cable to the Sol-PC when power supply is energized. To do so can damage the Sol-PC.

3.3.4 Installing and Removing Integrated Circuits

NEVER install or remove integrated circuits when power is applied to the Sol-PC. To do so can damage the IC.

Installing and Removing Personality Module

NEVER install or remove the plug-in personality module when power is applied to the Sol-PC. To do so can damage the module.

3.3.6 Use of Clip Leads

TARE CARE when using a clip lead to establish a ground connection when testing the Sol-PCB circuit board. Make sure that the clip makes contact only with the ground bus on the perimeter of the board.

3.4 REQUIRED TOOLS, EQUIPMENT AND MATERIALS

The following tools, equipment and materials are recommended for assembling and testing the Sol-PC:

1. Needle nose pliers
2. Diagonal cutters
3. Screwdriver
4. Sharp knife
5. Controlled heat soldering iron, 25 watt
6. 60-40 rosin-core solder (supplied)
7. Small amount of #24 solid wire
8. Volt-ohm meter
9. Video monitor or monochrome TV converted for video input.
10. IC test clip (optional)
11. Oscilloscope (optional)

3.5 ORIENTATION (Sol-PCB)

Location J5 (personality plug-in module connector) will be located in the upper right-hand area of the circuit board when location J10 (power connector) is positioned at the bottom of the board. In this position the component (front) side of the board is facing up and all IC legends (U1 through U10, U22 through U24, etc.) will read from left to right. Subsequent position references related to the Sol-PCB assume this orientation.

3.6 Sol-PC ASSEMBLY-TEST PROCEDURE

The Sol-PC is assembled and tested in sections and/or circuits. You will first test the Sol-PCB circuit board for shorts (solder bridges) between the power buses and ground. After assembling

the personality module (see Section IV), the clock and display control circuits are assembled. The bus, CPU, decoder and memory circuits are then assembled, followed by the parallel and serial input/output (I/O) and audio cassette I/O sections.

CAUTION

THE Sol-PC USES MANY MOS INTEGRATED CIRCUITS. THEY CAN BE DAMAGED BY STATIC ELECTRICITY DISCHARGE. HANDLE THESE IC'S SO THAT NO DISCHARGE FLOWS THROUGH THE IC. AVOID UNNECESSARY HANDLING AND WEAR COTTON, RATHER THAN SYNTHETIC, CLOTHING WHEN YOU DO HANDLE MOS IC'S. (STATIC CHARGE PROBLEMS ARE MUCH WORSE IN LOW HUMIDITY CONDITIONS.)

3.6.1 Circuit Board Check

- () Visually check Sol-PCB board for solder bridges (shorts) between traces, broken traces and similar defects.
- () Check board to insure that the +5-volt-bus, +12 volt-bus and -12-volt bus are not shorted to each other or to ground. Using an ohmmeter, on "OHMS X 1K" or "OHMS X 10K" scale, make the following measurements (refer to Sol-PC Assembly Drawing X-3).
 - () +5-volt Bus Test. Measure between positive and negative mounting pads for C58. There should be no continuity. (Meter reads close to "infinity" ohms.)
 - () +12-volt Bus Test. Measure between positive and negative mounting pads for C59. There should be no continuity.
 - () -12-volt Bus Test. Measure between positive and negative mounting pads for C60. There should be no continuity.
 - () 5/12/(-12) Volt Bus Test. Measure between positive mounting pads for C58 and C59, between positive pad for C58 and negative pad for C60, and between positive pad for C59 and negative pad for C60. You should measure no continuity in any of these measurements.

If visual inspection reveals any defects, or you measure continuity in any of the preceding tests, return the board to Processor Technology for replacement. If the board is not defective, proceed to next paragraph.

3.6.2 Personality Module Assembly

Since the personality module is required for testing the Sol-PC in the later stages of its assembly, we suggest that you assemble the personality module first. In so doing, your Sol-PC assembly will proceed uninterrupted. Assembly instructions for the personality module are provided in Section IV of this manual.

If you wish to wait to assemble the personality module until it is needed, go on to Paragraph 3.6.3.

3.6.3 Sol-PCB Assembly and Test

Refer to Sol-PC assembly drawing X-3.

- () Step 1. Install DIP sockets. Install each socket in the indicated location with its end notch oriented as shown on the circuit board and assembly drawing. Take care not to create solder bridges between the pins and/or traces. (Refer to footnotes at end of this step before installing U105.)

INSTALLATION TIP

Insert socket pins into mounting pads of appropriate location. On solder (back) side of board, bend pins at opposite corners of socket (e.g., pins 1 and 9 on a 16-pin socket) outward until they are at a 45 angle to the board surface. This secures the socket until it is soldered. Repeat this procedure with each socket until all are secured to the board. Then solder the unbent pins on all sockets. Now straighten the bent pins to their original position and solder.

<u>LOCATION</u>	<u>TYPE SOCKET</u>
() U1 through 21	16 pin
() U22 through 24	14 pin
() U25	24 pin
() U26 through 37	16 pin
() U38	14 pin
() U39	None
() U40 through 43	16 pin
() U44 through 49	14 pin
() U50	16 pin
() U51	40 pin
() U52	16 pin
() U53 through 55	14 pin
() U56	8 pin
() U57 through 61	14 pin

(Continued on Page

PROCESSOR TECHNOLOGY CORPORATION

Sol-PC SINGLE BOARD TERMINAL COMPUTER™

SECTION III

<u>LOCATION</u>	<u>TYPE SOCKET</u>
() U62 through 68	16 pin
() U69	40 pin
() U70 through 73	16 pin
() U74	14 pin
() U75 through 81	16 pin
() U82#	None#
() U83	14 pin
() U84,85	16 pin
() U86,87	14 pin
() U88 through 90	16 pin
() U91,92	14 pin
() U93 through 97	16 pin
() U98 through 100	14 pin
() U101	16 pin
() U102	14 pin
() U103*	None#
() U104	None
() U105*	40 pin
() U106,107	16 pin
() U10B	8 pin
() U109 through 112	16 pin
() U113	14 pin

#Spare locations, not used.

*Note that U105 notch is positioned at the top.

- () Step 2. Install the following capacitors in the indicated locations. Take care to observe the proper value, type and orientation, if applicable, for each installation. Bend leads outward on solder (back) side of board, solder and trim.

NOTE

Disc capacitor leads are usually coated with wax during the manufacturing process. After inserting leads through mounting holes, remove capacitor and clear the holes of any wax. Reinsert and install.

<u>LOCATION</u>	<u>VALUE (ufd)</u>	<u>TYPE</u>	<u>ORIENTATION</u>
() C1	.047	Disc	None
() C2	.047	"	"
() C3	.047	"	"
() C4	.047	"	"
() C5	.047	"	"
() C6	.047	"	"
() C7	.047	"	"
() C8	.047	"	"

PROCESSOR TECHNOLOGY CORPORATION

Sol-PC SINGLE BOARD TERMINAL COMPUTER™

SECTION III

<u>LOCATION</u>	<u>VALUE (ufd)</u>	<u>TYPE</u>	<u>ORIENTATION</u>
() C10	.047	Disc	None
() C11	.047	"	"
() C13	.047	"	"
() C14	.047	"	"
() C15	15	Tantalum	"+" lead bottom
() C16	.047	Disc	None

() Step 3. Check for +5-volt bus to ground shorts. Using an ohmmeter, measure between positive and negative mounting pads for C58. There should be no continuity. If there is, find and correct the problem before proceeding to Step 4.

() Step 4. Install the following capacitors in the indicated locations. Take care to observe the proper value type and orientation, if applicable, for each installation. Bend leads outward on solder (back) side of board, solder and trim. (refer to NOTE in Step 2.)

<u>LOCATION</u>	<u>VALUE (ufd)</u>	<u>TYPE</u>	<u>ORIENTATION</u>
() C19	.047	Disc	None
() C20	.047	"	"
() C21	.047	"	"
() C24	.047	"	"
() C25	.047	"	"
() C26	.047	"	"
() C33	.047	"	"
() C38	.047	"	"
() C40	15	Tantalum	+" lead bottom
() C41	.047	Disc	None
() C42	.047	"	"
() C45	.047	"	"
() C56	.047	"	"
() C58	15	Tantalum	"+" lead top
() C59	15	Tantalum	"+" lead top
() C60	15	Tantalum	"+" lead top
() C65	.047	Disc	None

() Step 5. Check for +5-volt bus to ground shorts. Using an ohmmeter, measure between the positive and negative leads of C58. You should measure at least 100 ohms. Less than 100 ohms indicates a short. If required, find and correct the problem before proceeding to Step 6. NOTE: In this and subsequent resistance measurements, any value greater than the minimum may normally occur, even much higher, unless otherwise indicated.

() Step 6. Install the following capacitors in the indicated locations. Take care to observe the proper value and type for each installation. Bend leads outward on solder (back) side of board, solder and trim. (Refer to NOTE in Step 2.)

(Step 6 continued on Page 111-12.)

PROCESSOR TECHNOLOGY CORPORATION

Sol-PC SINGLE BOARD TERMINAL COMPUTER™

SECTION III

<u>LOCATION</u>	<u>VALUE (ufd)</u>	<u>TYPE</u>	<u>ORIENTATION</u>
() C9	.047	Disc	None
() C12	.047	"	"
() C17	.047	"	"
() C18	.047	"	"
() C22	.047	"	"
() C23	.047	"	"
() C27	.047	"	"
() C28	.047	"	"
() C46	.047	"	"

- () Step 7. Check for +5-volt bus to ground shorts. Using an ohmmeter, measure between the positive and negative leads of C58. You should measure some resistance. Zero resistance indicates a short. If required, find and correct the problem before proceeding to Step 8.
- () Step 8. Install diodes D8 (1N4148 or 1N914), D11 (1N5231B) and D12 (1N4001) in their locations (in the area below U90 through U92). Position D8 with its dark band (cathode) to the right, D11 with its band at the bottom, and D12 with its band at the top.

NOTE

The leads of D12 and its mounting holes are a snug fit. Take care when installing this diode.

- () Step 9. Install the following resistors in the indicated locations. Bend leads to fit distance between mounting holes, insert leads, pull down snug to board, solder and trim.

<u>LOCATION</u>	<u>VALUE ohms</u>	<u>COLOR CODE</u>
() R104	10 K	brown-black-orange
() R105	1.5K	brown-green-red
() R106	1.5K	" " "
() R130	100, ½ watt	brown-black-brown
() R131	100, ½ watt	" " "
() R132	100, ½ watt	" " "
() R133	330	orange-orange-brown
() R134	330	" " "
() R135 & 136	10 K	brown-black-orange
() R137 & 138	47	yellow-violet-black

- () Step 10. Install the following capacitors in the indicated locations. Take care to observe the proper value and type for each installation. Bend leads outward on solder (back) side of board, solder and trim. (Refer to NOTE in Step 2.)

PROCESSOR TECHNOLOGY CORPORATION

Sol-PC SINGLE BOARD TERMINAL COMPUTER™

SECTION III

<u>LOCATION</u>	<u>VALUE</u>	<u>TYPE</u>
() C39	.1 ufd	Disc
() C43	680 pfd	Monolythic or Disc
() C44	680 pfd	Monolythic or Disc
() C61	.001 ufd	Disc
() C62	.68 ufd	Monolythic
() C63	.1 ufd	Disc
() C64	10 pfd	Disc

- () Step 11. Install 14.318 MHz crystal in its location just above C61. Insert leads and pull down until the case is 1/16" above the front surface of the board. Solder quickly and trim.
- () Step 12. Install male Molex connector in location J10. Position connector so the locking clip is facing the crystal (XTAL), insert shorter pins in mounting holes and solder.
- () Step 13. In the jumper area labeled CLK on the assembly drawing (between U90 and U91), install Augat pins in mounting holes A,B,C,D and E. (Refer to "Installing Augat Pins" in Appendix IV.) Using #24 bare wire, install a jumper between the A and B pins and another jumper between the D and E pins.
- () Step 14. Install the following IC's in the indicated locations. Pay careful attention to the proper orientation. DO NOT SUBSTITUTE FOR ANY OF THESE IC's.

NOTE

Dots on the assembly drawing and PC board indicate the location of pin 1 of each IC.

<u>IC NO.</u>	<u>TYPE</u>
() U77	8T97
() U90	74L5175 or 25L5175
() U91	74H00
() U92	74S04
() U104*	AM0026 or DM0026*

*Solder this IC in its location.
See "Loading DIP Devices" in Appendix IV.

- () Step 15. Connect power to power connector J10. Power and interconnection requirements are as follows:

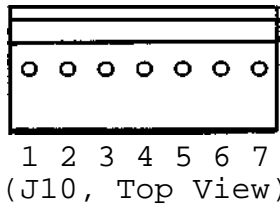
(Step 15 continued on Page 111-14.)

CAUTION 1

NEVER CONNECT POWER CABLE TO J10 WITH POWER SUPPLY ENERGIZED.

CAUTION 2

MAKE SURE POWER CABLE CONNECTOR MATES EXACTLY WITH J10; THAT IS, PIN 1 TO PIN 1, PIN 2 TO PIN 2, ETC. ANY OTHER MATING RELATIONSHIP WILL "BLOW" THE IC' s.



<u>J10 PIN NO.</u>	<u>POWER</u>
1	Ground
2and6	+5Vdc+5%, 2 Amax
3and5	-12Vdc+5%, 300mAmAmax
4	+12Vdc+5%, 100mAmAmax
7	Ground

NOTE

Though not labeled on the connector, J10 pins are designated 1 through 7, reading from left to right.

- () Step 16. Check clock circuits. If you have an oscilloscope, use part A of this step. If you do not, use part B.

A. Oscilloscope Check

- () Using an oscilloscope, check for the waveforms given in Figure 3-2 on Page 111-15 at the indicated observation points and in the order given. The waveforms shown in Figure 3-2 approximate actual waveforms. If any waveforms are incorrect, determine and correct the cause before proceeding with assembly.

NOTE

Irregularities up to 1 volt are acceptable on positive portions of waveforms. Negative portions, however, should be relatively flat.

B. Volt-ohm Meter Check

- () Using the test probe shown in Figure 3-3 on Page 111-16, set meter to DC volts and make the following measurements:

(Volt-ohm Meter Check continued on Page 111-16.)

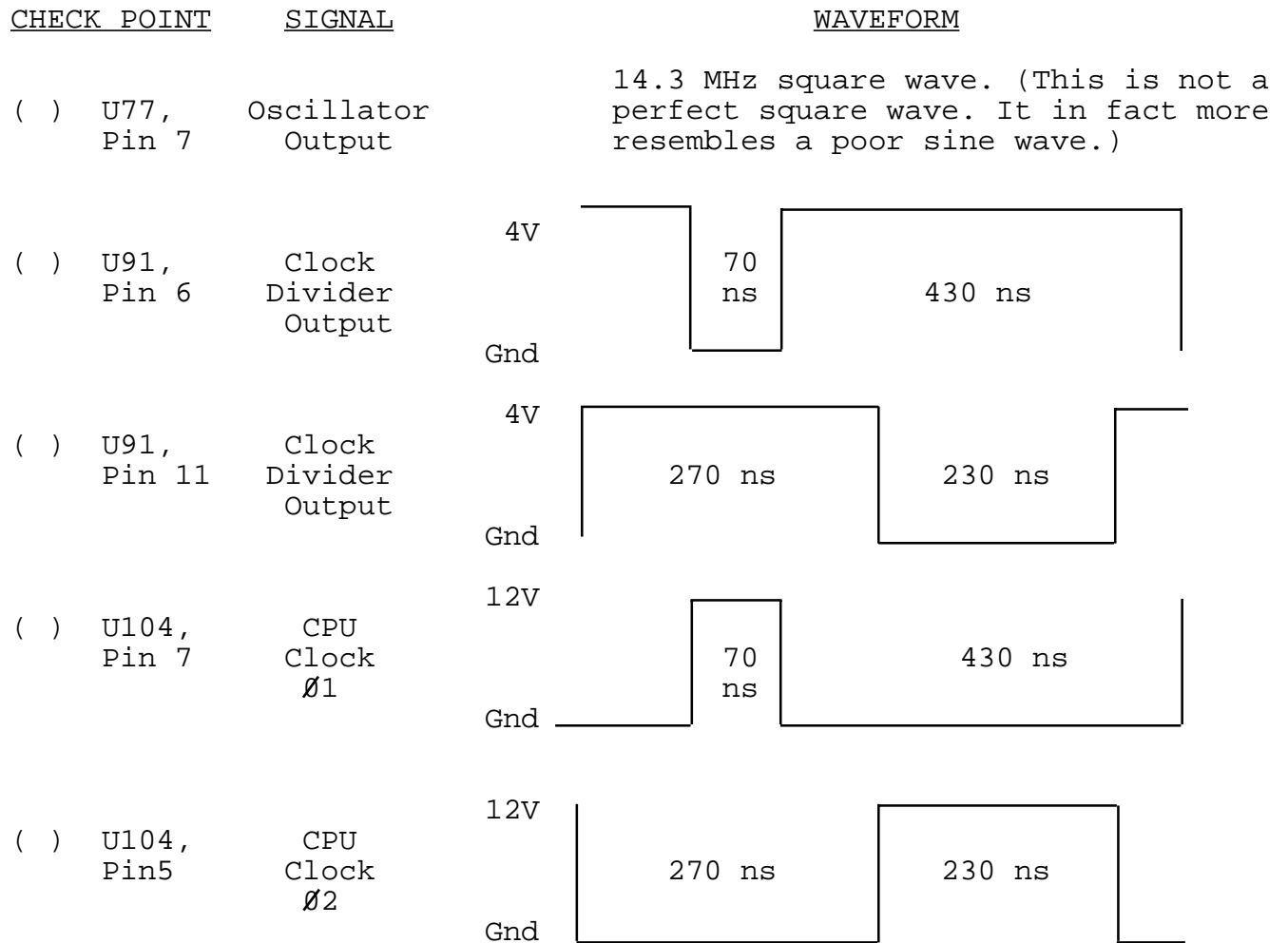


Figure 3-2. Clock circuit waveforms.

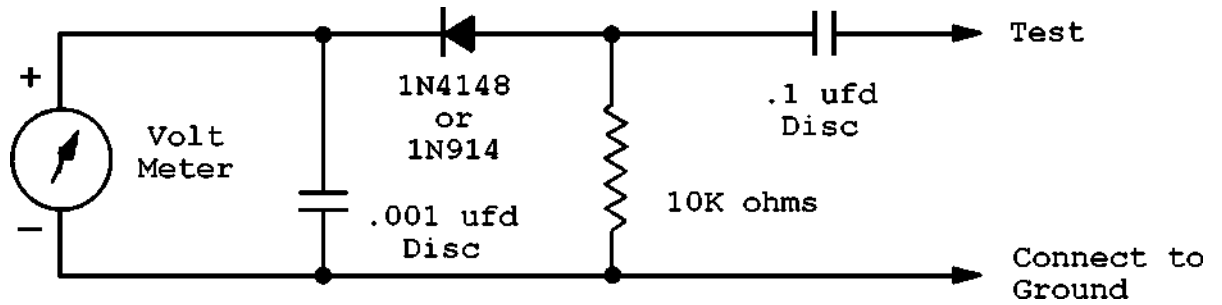


Figure 3-3. Test probe for Steps 16B and 25B.

NOTE 1

The probe shown in Figure 3-3 can be made using parts supplied with your Sol-PC kit. Since these parts will be used later in the Sol-PC assembly, DO NOT shorten the leads or otherwise alter the components. Assemble the probe using tack soldering technique.

NOTE 2

Make sure you have a good ground connection between the meter, probe and Sol-PCB.

- () At pin 7 of U77 you should measure 1.5 V dc or higher. (A significantly lower reading indicates a faulty oscillator circuit.)
- () At pin 6 of U91 you should measure 0.25 V dc or higher. (A significantly lower reading indicates a faulty clock divider, U90.)
- () At pin 11 of U91 you should measure 1.25 V dc or higher. (A significantly lower reading indicates a faulty clock divider, U90.)
- () At pin 5 of U104 you should measure 4 V dc or higher. (A significantly lower reading indicates a problem with U104.)
- () At pin 7 of U104 you should measure 8 V dc or higher. (A significantly lower reading indicates a problem with U104.)
- () If any voltages are incorrect, correct the problem before proceeding; if correct, turn off the power supply and disconnect the power cable.

PROCESSOR TECHNOLOGY CORPORATION

Sol-PC SINGLE BOARD TERMINAL COMPUTER™

SECTION III

- () Step 17. Install the following resistors in the indicated locations. Bend leads to fit distance between mounting holes, insert leads, pull down snug to board, solder and trim.

<u>LOCATION</u>	<u>VALUE (ohms)</u>	<u>COLOR CODE</u>
() R1	1.5K	brown-green-red
() R2	1.5K	" " "
() R3	1.5K	" " "
() R4	1.5K	" " "
() R5	1.5K	" " "
() R6	1.5K	" " "
() R7	1.5K	" " "
() R8	1.5K	" " "
() R9	1.5K	" " "
() R10	1.5K	" " "
() R11	1.5K	" " "
() R16	1.5K	" " "
() R17	1.5K	" " "
() R19	1.5K	" " "
() R30	1.5K	" " "
() R80*	330, ½ watt	orange-orange-brown
() R81	75	violet-green-black
() R82	200	red-black-brown
() R83	1.5K	brown-green-red
() R84	3.3M	orange-orange-green
() R85	1.5K	brown-green-red
() R86	1.5K	" " "
() R87	330	orange-orange-brown
() R88	680	blue-gray-brown
() R89	1.5K	brown-green-red
() R90	1.5K	" " "
() R96	1.5K	" " "
() R97	1.5K	" " "
() R98	10 K	brown-black-orange
() R99	1.5K	brown-green-red
() R100	10 K	brown-black-orange
() R101	1.5K	brown-green-red
() R102	3.3M	orange-orange-green
() R103	1.5K	brown-green-red
() R120	100 K	brown-black-yellow
() R121	10 K	brown-black-orange
() R122	10 K	" " "
() R123	39 K	orange-white-orange
() R124	1.5K	brown-green-red
() R125	1.5K	" " "
() R126	39 K	orange-white-orange
() R127	10 K	brown-black-orange
() R128	3.3K	orange-orange-red
() R129	10 K	brown-black-orange
() VR1 & VR2	50 K	Potentiometer

*The leads of R80 and its mounting holes form a snug fit. Take care when installing this resistor.

PROCESSOR TECHNOLOGY CORPORATION

- () Step 18. Install the following capacitors in the indicated locations. Take care to observe the proper value and type for each installation. Bend leads outward on solder (back) side of board, solder and trim. (Refer to NOTE in Step 2.)

CAUTION

REFER TO FOOTNOTE AT END OF THIS STEP BEFORE INSTALLING C31.

<u>LOCATION</u>	<u>VALUE</u>		<u>TYPE</u>
() C31*	100	ufd	Aluminum Electrolytic
() C32	.1	ufd	Disc
() C34	680	pfd	Monolythic or Disc
() C35	.1	ufd	Mylar Tubular
() C36	.1	ufd	Disc
() C37	.1	ufd	Disc
() C52	.001	ufd	Mylar Tubular
() C53	.01	ufd	Mylar Tubular
() C54	.001	ufd	Disc
() C55	.001	ufd	Disc
() C57	.1	ufd	Disc

*Install C31 with "+" lead at the top.

- () Step 19. Install Q2 (2N2907 or 2N3460) in its location below and to the right of U88. The emitter lead (closest to tab on can) is oriented toward the left of the board and the base is oriented toward the bottom. Push straight down on transistor until it is stopped by the leads. Solder and trim.
- () Step 20. Install diodes D9 and D10 (1N4148 or 1N914) in their locations below U88. Position D9 with its dark band (cathode) to the left and D10 with its band to the right.
- () Step 21. Install coaxial cable, composite video output. (See Figure 3-4 for details on how to prepare cable.)
- () Strip away about 1¼" of the outer insulation to expose shield. Unbraid shield, gather and twist into a single lead. Then strip away the inner conductor insulation, leaving about ¼" at the shield end.

CAUTION

WHEN PREPARING AND INSTALLING SHIELD, BE SURE BITS OF BRAID DO NOT FALL ONTO BOARD. SUCH DEBRIS CAN CREATE HARD-TO-FIND SHORT CIRCUITS.

- () Insert inner conductor in mounting hole P1 (left side of board), solder and trim.

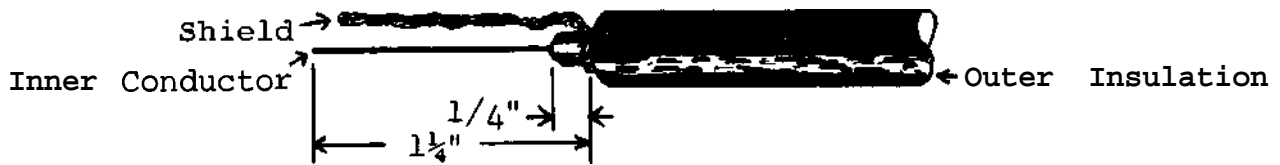


Figure 3-4. Coaxial cable preparation.

- () Insert twisted shield in mounting hole P2, solder and trim. Using the two large holes to the right of VR1 and VR2, tie cable to board with tie wrap (see CAUTION below).

CAUTION

AFTER INSTALLATION, FINE BITS OF THE BRAID FROM THE SHIELD MAY WORK LOOSE AND FALL ONTO THE BOARD AND CREATE HARD-TO-FIND SHORT CIRCUITS. TO PREVENT THIS, COAT ALL EXPOSED BRAID WITH AN ADHESIVE AFTER SOLDERING AND TIEING. USE AN ADHESIVE SUCH AS SILICONE, CONTACT CEMENT OR FINGERNAIL POLISH. DO NOT USE WATER BASE ADHESIVES.

- () Step 22. Install 6-position DIP switch in location on left end of board. Position Switch No. 1 at the bottom.
- () Step 23. Install 20-pin header in location J4 (video connector) between U28 and U29. Position header so pin 1 is in the lower right corner. (An arrow on the connector points to pin 1.)
- () Step 24. Install the following IC's in the indicated locations. Pay careful attention to the proper orientation.

NOTE

Dots on the assembly drawing and PC board indicate the location of pin 1 of each IC.

<u>IC NO.</u>	<u>TYPE</u>
() U28	74LS163 or 25LS163
() U31	74LS163 or 25LS163
() U33	74LS163 or 25LS163
() U40	74LS163 or 25LS163
() U43	74LS109
() U47	74LS10
() U49	74LS04

(Step 24 continued on Page 111-20.)

<u>IC NO.</u>	<u>TYPE</u>
() U59	74LS20
() U60	74LS02 or 9LS02
() U62	93L16
() U74	74LS86
() U75	74LS109
() U87	7406
() U88*	4049*
() U102*	4001*

*MOS device. Refer to CAUTION on Page 111-8.

- () Step 25. Apply power to Sol-PC and check display section timing chain operation. If you have an oscilloscope, use part A of this step. If you do not, use part B.

A. Oscilloscope Check

- () Using an oscilloscope, check for the waveforms given in Figure 3-5 at the indicated observation points and in the order given. The waveforms shown in Figure 3-5 approximate actual waveforms. If any waveforms are incorrect, determine and correct the cause before proceeding with assembly.

NOTE

Irregularities up to 1 volt are acceptable on positive portions of waveforms. Negative portions, however, should be relatively flat.

B. Volt-ohm Meter Check

- () Using the test probe made in Step 16B, measure the voltage at pin 12 of U28. You should measure approximately 1 V dc. If you get a significantly lower reading, find and correct the cause before you proceed with assembly.
- () Turn off power supply and disconnect power connector.
- () Step 26. Check synchronization circuits.
- () Set all S1 switches to OFF.
- () Connect Sol-PC video output cable to video monitor.

SEE CAUTION ON PAGE III-22 BEFORE CONNECTING MONITOR.

(Step 26 continued on Page 111-22.)

CHECK POINT

WAVEFORM

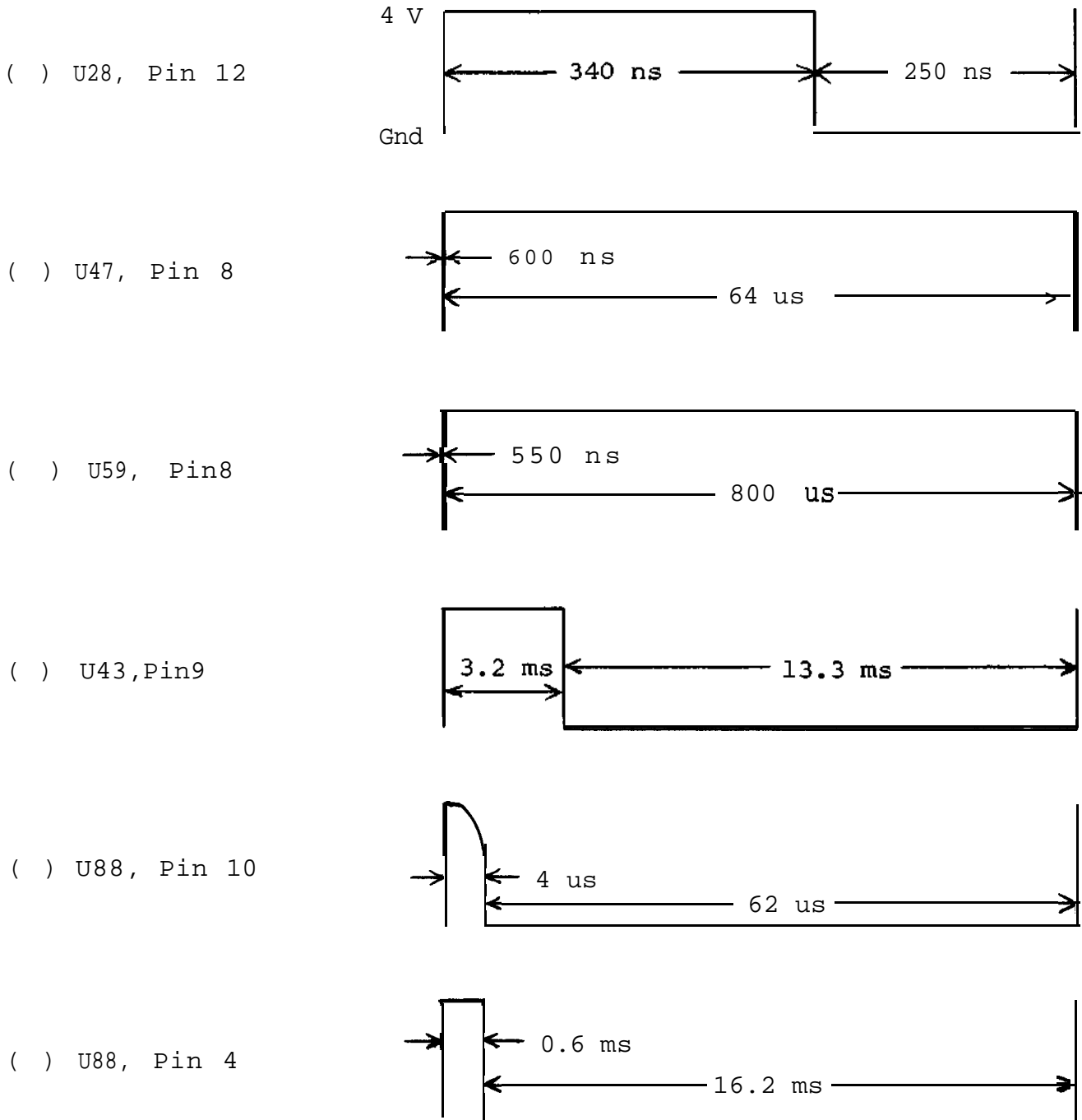


Figure 3-5. Display section timing waveforms.

CAUTION

DO NOT CONNECT THE Sol-PC VIDEO OUTPUT TO A MONITOR OR TV RECEIVER THAT IS NOT EQUIPPED WITH AN ISOLATION TRANSFORMER. (SEE PAGE AVI-7 IN APPENDIX VI.)

- () Set VR2 (VERT) and VR1 (HORIZ) on the Sol-PC to their mid-range settings. Turn monitor on and apply power to the Sol-PC.

- () The display raster will be pulled in. Using the monitor Vertical Hold, you should be able to obtain a slow roll (black horizontal bar moves slowly down the screen) and a stationary raster. Using the monitor Horizontal Hold, you should be able to adjust for an out of sync raster (numerous black lines cutting across the raster) and a stable raster. If you cannot obtain these conditions, locate and correct the cause before proceeding.

NOTE

For a stable presentation, a few monitors (especially modified TV sets) may require a higher sync amplitude than that supplied by the Sol-PC. In such cases, increase sync amplitude by reducing the value of R80. DO NOT DECREASE R80 BELOW 225 OHMS.

- () If the synchronization circuits are operating correctly, turn monitor and power supply off, disconnect the power cable and go on to Step 27.
- () Step 27. Install the following IC's in the indicated locations. Pay careful attention to the proper orientation.

NOTE

Dots on the assembly drawing and PC board indicate the location of pin 1 of each IC.

(Step 27 continued on Page 111-23.)

PROCESSOR TECHNOLOGY CORPORATION

<u>IC NO.</u>	<u>TYPE</u>
() U1*	4029*
() U2	74L5175 or 25L5175
() U11*	4029*
() U12	74L5157
() U13	74L5175 or 25L5175
() U25*	MCM6574 or MCM6575*
() U26	74L5175 or 25L5175
() U27	74L5175 or 25L5175
() U29	74L5367
() U30	74L5157
() U32	74LS157 or 25L5157
() U41	74166
() U42	74L5175 or 25L5175
() U44	74L500
() U61	74L510
() U89	74L5367

*MOS device. Refer to CAUTION on Page 111-8.

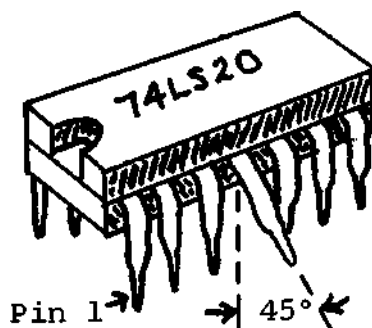
() Step 28. Check display circuits.

() Set Si switches as follows:

No. 1 through 5: OFF

No. 6: ON

() Remove U42 and bend pin 6 out 45° to its normal position. (See Figure 3-6.) Re-install U42 with pin 6 out of the socket.



Bend desired pin out 45° to vertical.

Figure 3-6. Bending selected pins on U42, 59 and 75 (U59 shown).

() Remove U59 and bend pin 4 in same manner as U42. Re-install U59 with pin 4 out of the socket.

(Step 28 continued on Page 111-24.)

- () Remove U75 and bend pin 5 in same manner as U42. Re-install U75 with pin 5 out of the socket.
- () Using #24 wire, install the following TEMPORARY jumpers in the sockets for U14 through U21. Double check jumpers after installing for correctness. (See Figure 3-7.)

<u>IC SOCKET</u>	<u>JUMPER</u>
() U14	Pin 12 to 6
() U15	Pin 12 to 5
() 1J16	Pin 12 to 4
() U17	Pin 12 to 8
() U18	Pin 12 to 2
() U19	Pin 12 to 7
() U20	Pin 12 to 1
() U21	Pin 12 to 16

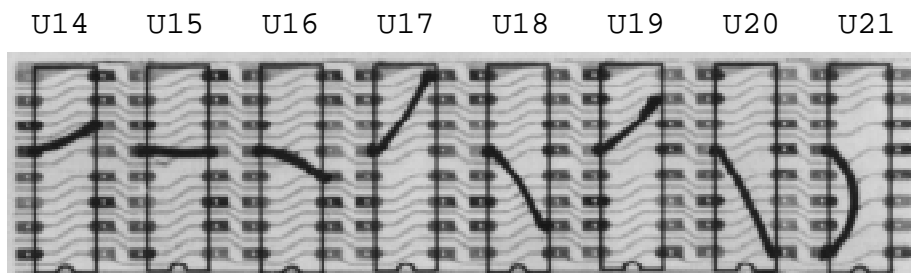


Figure 3-7. U14 through U21 socket jumpers.

- () Turn monitor on and apply power to Sol-PC.
- () Momentarily ground pin 1 of U2 and pin 5 of U75. The display shown in Figure 3-8 should appear on the monitor screen.
- () If the display circuits do not pass this test, determine and correct the cause before proceeding with assembly.
- () If the display circuits are operating correctly:
 - () Turn monitor and power supply off and disconnect the power cable.
 - () Remove jumpers from U14 through U21 sockets.
 - () Bend pin 6 on U42, pin 4 on U49 and pin 5 on U75 back to their normal position and re-install these three IC's in their appropriate sockets.

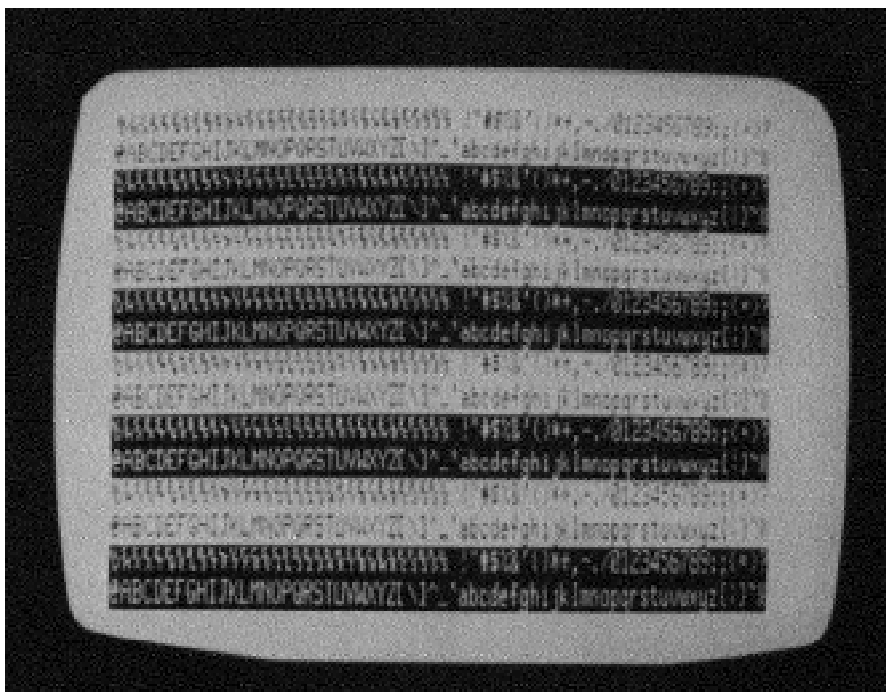


Figure 3-8. Display circuits test pattern with 6575 character generator as U25. 6574 is the same except graphic control characters are displayed.

- () Step 29. Install 91L02APC or 2102L1PC IC's in locations U14 through U21. Dots on the assembly drawing and PC board legend indicate the location of pin 1 of each IC.

CAUTION

IC's U14 THROUGH U21 ARE MOS DEVICES. REFER TO CAUTION ON PAGE 111-8 BEFORE YOU INSTALL THESE IC's.

- () Step 30. Install the following resistors in the indicated locations. Bend leads to fit distance between mounting holes, insert leads, pull down snug to board, solder and trim.

<u>LOCATION</u>	<u>VALUE (ohms)</u>	<u>COLOR CODE</u>
() R12	1.5K	brown-green-red
() R18	10 K	brown-black-orange

(Step 30 continued on Page 111-26.)

PROCESSOR TECHNOLOGY CORPORATION

So1-PC SINGLE BOARD TERMINAL COMPUTER™

SECTION III

<u>LOCATION</u>	<u>VALUE (ohms)</u>	<u>COLOR CODE</u>
() R20	1.5K	brown-green-red
() R31	1.5K	" " "
() R32	1.5K	" " "
() R33	1.5K	" " "
() R34	1.5K	" " "
() R35	1.5K	" " "
() R36	1.5K	" " "
() R41	1.5K	" " "
() R50	1.5K	" " "
() R51	1.5K	" " "
() R52	1.5K	" " "
() R53	1.5K	" " "
() R54	1.5K	" " "
() R55	1.5K	" " "
() R56	1.5K	" " "
() R57	1.5K	" " "
() R58	330	orange-orange-brown
() R107	10 K	brown-black-orange
() R108	10 K	" " "
() R109	10 K	" " "
() R110	10 K	" " "
() R111	10 K	" " "
() R112	10 K	" " "
() R113	10 K	" " "
() R114	10 K	" " "
() R11S	1.5K	brown-green-red

- () Step 31. Install diode D7 (1N4148 or 1N914) in its location between U46 and U47. Position D7 with its dark band (cathode) at the bottom.

- () Step 32. Install 20-pin header in location J3 (keyboard interconnect) between U64 and U65. Position header so pin 1 is in the upper left corner. (An arrow on the connector points to pin 1.)

- () Step 33. In the jumper area labeled PHTM on the assembly drawing (below U64), install Augat pins in mounting holes F and G. (Refer to "Installing Augat Pins" in Appendix IV.) Using #24 bare wire, install a jumper between pins F and G.

- () Step 34. In the jumper area labeled RST on the assembly drawing (between U76 and U77), install Augat pins in mounting holes N and P. (Refer to "Installing Augat Pins" in Appendix IV.) Using #24 bare wire, install a jumper between pins N and P.

PROCESSOR TECHNOLOGY CORPORATION

Sol-PC SINGLE BOARD TERMINAL COMPUTER™

SECTION III

- () Step 35. Install the following IC's in the indicated locations. Pay careful attention to the proper orientation.

NOTE

Dots on the assembly drawing and PC board indicate the location of pin 1 of each IC.

<u>IC NO.</u>	<u>TYPE</u>
() U45	74LS04
() U46	8T380 or 8836
() U48	74LS00
() U50	74LS367
() U54	74LS04
() U63	74LS109
() U64	74LS109
() U67	8T97
() U68	8T97
() U76	74LS175
() U94	74LS367
() U107	74LS367

- () Step 36. Apply power to Sol-PC and make the following voltage measurements:

<u>MEASUREMENT POINT</u>	<u>VOLTAGE*</u>
Pin 11 of U105 Socket	-5 V dc +- .25v
Pin 20 of U105 Socket	+5 V dc +- .25v
Pin 28 of U105 Socket	+12 V dc +- .6 V
Pin 1 of U51 Socket	+5 V dc +- .25V
Pin 2 of U51 Socket	-12 V dc +- .6 V

*All voltages referenced to ground.

- () If any voltages are incorrect, locate and correct the cause before going on to Step 37.
- () If voltages are correct, turn power supply off, disconnect power cable and go on to Step 37.
- () Step 37. Install the following IC's in the indicated locations. Pay careful attention to the proper orientation.

NOTE

Dots on the assembly drawing and PC board indicate the location of pin 1 of each IC.

(Step 37 continued on Page 111-28.)

IC NO.TYPE

- () U51* TMS6011NC*
- () U105*# 8080,8080A or 9080A*#

*MOS device. Refer to CAUTION on Page 111-8.

#Note that pin 1 of this IC is in the upper left corner-

- () Step 38. Perform Functional Test No. 1 of CPU circuits.
 - () Set S1 switches as follows:
 - No. 1 through 5: OFF
 - No. 6: ON
 - () Turn monitor on and apply power to Sol-PC.
 - () Momentarily ground pin 1 of U2. You should see a full display (64 characters x 16 lines) on the monitor.
 - () Momentarily ground pin 2 of U75. The display should blank while pin 2 of U75 is grounded. When you remove the ground, the display shown in Figure 3-9 on Page III-29 should appear.

NOTE

The pattern shown in Figure 3-9 (delete characters) results from all bits of the DIO Bus being high. If you do not see the delete characters, one or more bits of the DIO bus are low. Consult the MCM6575 or MCM6574 pattern, as appropriate, in Section VIII of this manual to determine which bits are low.

- () If the test fails, determine and correct the cause before proceeding with assembly.
- () If the Sol-PC passes this test, turn monitor and power supply off, disconnect power cable and proceed to Step 39.
- () Step 39. Install the following IC's in the indicated locations. Pay careful attention to the proper orientation.

(Step 39 continued on Page 111-29.)

NOTE

Dots on the assembly drawing and PC board indicate the location of pin 1 of each IC.

<u>IC NO.</u>	<u>TYPE</u>
() U80	8T97#
() U81	8T97#

#DO NOT substitute.

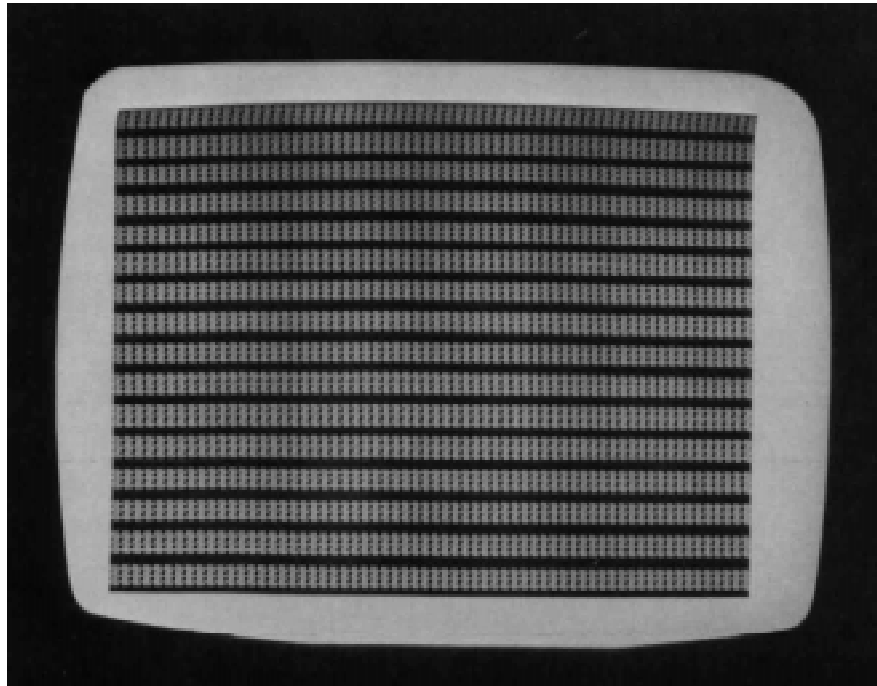


Figure 3-9. CPU Functional Test No. 1 display, 6574 or 6575 character generator (U25)

- () Step 40. Perform Functional Test No. 2 of CPU circuits.
 - () Check that S1 switches are set as specified in Step 38.
 - () Turn monitor on and apply power to Sol-PC.
 - () Momentarily ground pin 1 of U2 and pin 2 of U75. The display shown in Figure 3-10 on Page 111-31 should appear on the monitor.
 - () If the test fails, determine and correct the cause before proceeding with assembly.
 - () If the Sol-PC passes this test, turn monitor and power supply off, disconnect power cable and proceed to Step 41.

PROCESSOR TECHNOLOGY CORPORATION

Sol-PC SINGLE BOARD TERMINAL COMPUTER™

SECTION III

- () Step 41. Install the following IC's in the indicated locations. Pay careful attention to the proper orientation.

NOTE

Dots on the assembly drawing and PC board indicate the location of pin 1 of each IC.

<u>IC NO.</u>	<u>TYPE</u>
() U65	74LS253
() U66	74LS253
() U78	74LS253
() U79	74LS253
() U93	74LS175
() U106	74LS175
() U70	74LS109

- () Step 42. Turn monitor on, apply power to Sol-PC and perform the test described in Step 40, except ground ~in S of U75 instead of pin 2. You should get the same results.
 - () If the test fails, determine and correct the cause before proceeding with assembly.
 - () If the Sol-PC passes this test, turn monitor and power supply off, disconnect power cable and proceed to Step 43.
- () Step 43. Install the following resistors in the indicated locations. Bend leads to fit distance between mounting holes, insert leads, pull down snug to board, solder and trim.

<u>LOCATION</u>	<u>VALUE (ohms)</u>	<u>COLOR CODE</u>
() R13	1.5K	brown-green-red
() R14	1.5K	" " "
() R15	1.5K	" " "
() R60	1.5K	" " "

- () Step 44. Using two 4-40 x 5/8 binder head screws, two #4 insulating washers, two lockwashers and hex nuts, install 30-pin right angle edge connector in location J5. Insert screws from back (solder) side of board and place an insulating washer on each screw on front (component) side of board. Position connector with socket side facing right, place over screws and seat pins in mounting holes. Then place lockwasher on each screw, start nuts and tighten. Solder pins to board.

- () Step 45. Using four 4-40 x 1/4 binder head screws, lockwashers and hex nuts, install two brackets (Sol-1040) for personality module in area to right of J5. Position brackets over the mounting holes as shown in Figure 3-11. Insert screws from front (component) side of board, place lockwasher on each screw on back (solder) side of board, start nuts and tighten.

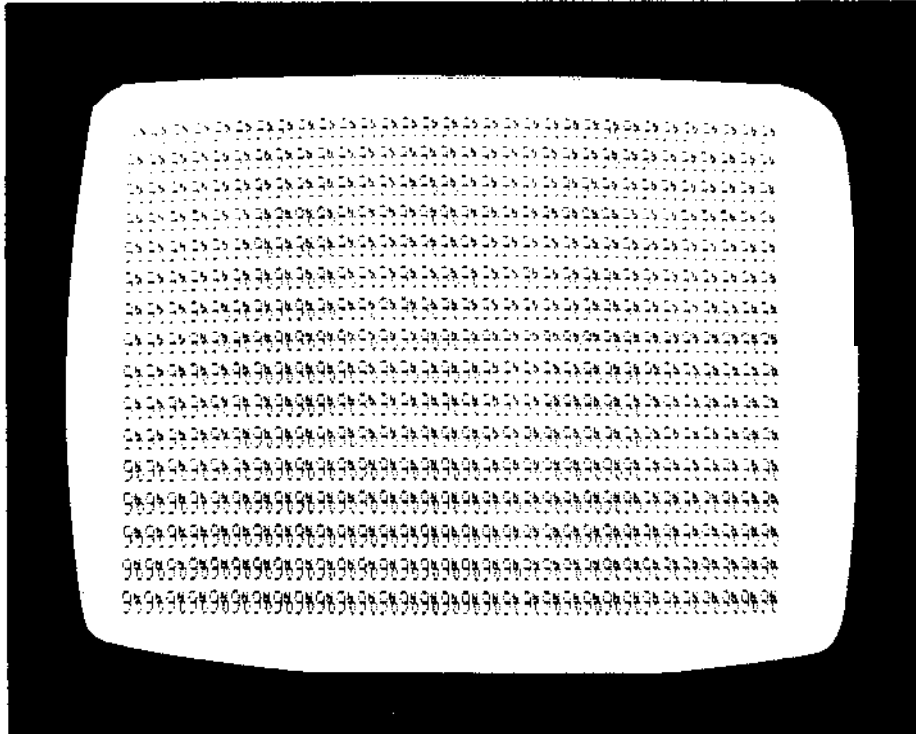


Figure 3-10. CPU Functional Test No. 2 display, 6575 character generator (U25). 6574 displays: 9 □ 9 □ 9 □ etc.

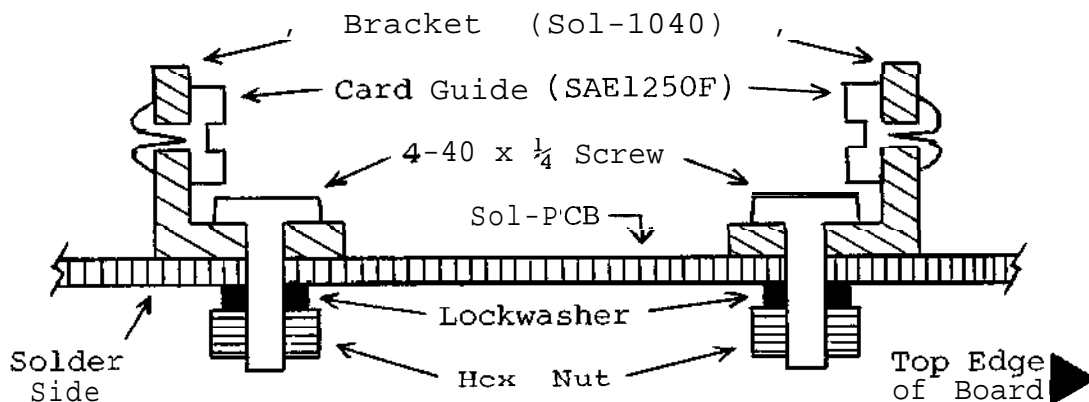


Figure 3-11. Personality module bracket/guide installation (Viewed from right end of Sol-PCB).

PROCESSOR TECHNOLOGY CORPORATION

- () Step 46. Attach plastic card guide (SAE1250F) to each of the brackets installed in Step 45. (See Figure 3-11.) Insert posts on guides into bracket holes and push in until they snap into place.
- () Step 47. Install the following IC's in the indicated locations. Pay careful attention to the proper orientation.

NOTE

Dots on the assembly drawing and PC board indicate the location of pin 1 of each IC.

<u>IC NO.</u>	<u>TYPE</u>
() U3*	91LO2APC or 2102L1PC*
() U4*	91LO2APC or 2102L1PC*
() U5*	91LO2APC or 2102L1PC*
() U6*	91LO2APC or 2102L1PC*
() U7*	91LO2APC or 2102L1PC*
() U8*	91LO2APC or 2102L1PC*
() U9*	91LO2APC or 2102L1PC*
() U10*	91LO2APC or 2102L1PC*
() U22	74LS136
() U23	74LS20
() U24	74LS04
() U34	74LS138
() U35	74LS138
() U36	74LS138
() U53	74LS02 or 9LS02
() U71	74LS367
() U83	74LS20

*MOS device. Refer to CAUTION on Page III-8.

- () Step 48. Test memory and decoder circuits.
 - () Set S1 switches as specified in Step 38.
 - () Turn monitor on and apply power to Sol-PC.
 - () Ground pin 1 of U2. You should see the same display as shown in Figure 3-10 on Page III-31. In this case, however, there should be a vertical "flickering" movement with an apparent flicker rate of approximately three times per second.
 - () Turn Switch No. 1 of 51 to ON. The flicker should stop.
- (Step 48 continued on Page III-33.)

PROCESSOR TECHNOLOGY CORPORATION

Sal-PC SINGLE BOARD TERMINAL COMPUTER™

SECTION III

- () If the test fails, determine and correct the cause before proceeding with assembly.
- () If the Sol-PC passes this test, turn monitor and power supply off, disconnect power cable, set Switch No. 1 of S1 to OFF and go on to Step 49.
- () Step 49. Assemble personality module if you have not yet done so. (See Section IV.) If you have, go to Step 9 in Section IV and complete the personality module assembly.
- () Step 50. Install the following resistors in the indicated locations. Bend leads to fit distance between mounting holes, insert leads, pull down snug to board, solder and trim.

<u>LOCATION</u>	<u>VALUE (ohms)</u>	<u>COLOR CODE</u>
() R21	470	yellow-violet-brown
() R22	470, ½ watt	" " "
() R23	470, ½ watt	" " "
() R24	1.5K	brown-green-red
() R25	10 K	brown-black-orange
() R26	10 K	" " "
() R27	470	yellow-violet-brown
() R28	10 K	brown-black-orange
() R29	10 K	" " "
() R37	1.5K	brown-green-red
() R38	1.5K	" " "
() R39	5.6K	green-blue-red
() R40	1.5K	brown-green-red
() R42	1.5K	" " "
() R43	1.5K	" " "
() R44	1.5K	" " "
() R45	330	orange-orange-brown
() R46	5.6K	green-blue-red
() R47	10 K	brown-black-orange
() R48	10 K	" " "
() R49	1.5K	brown-green-red
() R59	1.5K	" " "
() R61	1.5K	" " "
() R62	5.6K	green-blue-red
() R63	5.6K	" " "
() R64	330	orange-orange-brown
() R65	330	" " "
() R66	330	" " "
() R67	330	" " "
() R68	330	" " "
() R69	330	" " "
() R70	330	" " "
() R71	330	" " "

(Step 50 continued on Page III-34.)

PROCESSOR TECHNOLOGY CORPORATION

Sol-PC SINGLE BOARD TERMINAL COMPUTER™

SECTION III

<u>LOCATION</u>	<u>VALUE (obms)</u>	<u>COLOR CODE</u>
() R72	680	blue-gray-brown
() R73	680	" " "
() R74	680	" " "
() R75	680	" " "
() R76	680	" " "
() R77	680	" " "
() R78	680	" " "
() R79	680	" " "
() R92	5.6K	green-blue-red
() R93	1.5K	brown-green-red
() R94	10 K	brown-black-orange
() R95	15 K	brown-green-orange
() R116	1.5K	brown-green-red

- () Step 51. Install the following capacitors in the indicated locations. Take care to observe the proper value and type for each installation. Bend leads outward on solder (back) side of board, solder and trim. (Refer to NOTE in Step 2.)

<u>LOCATION</u>	<u>VALUE</u>	<u>TYPE</u>
() C29	.1 ufd	Disc
() C30	330 pfd	Disc

- () Step 52. Install diodes D1 (1N4148 or 1N914), D2 (1N4001) and D3 through D6 (1N4148 or 1N914) in their locations in the area of U39. Position all diodes with their dark band (cathode) to the right.

- () Step 53. Install the following DIP switches in the indicated locations. Take care to observe proper orientation.

<u>LOCATION</u>	<u>TYPE</u>	<u>ORIENTATION</u>
() S2	8-position	Switch No. 1 at top
() S3	8-position	Switch No. 1 at top
() S4	6-position	Switch No. 1 at top

- () Step 54. Install Q1 (2N2907 or 2N3460) in its location between U55 and U56. The emitter lead (closest to tab on can) is oriented toward the bottom and the base lead toward the right. Push straight down on transistor until it is stopped by the leads. Solder and trim.

- () Step 55. Using two 4-40 x 7/16 binder head screws, hex nuts and lockwashers, install 25-pin female connector in location J1 (serial I/O interface). Position connector with socket side facing right and insert pins into their holes in the circuit board. Insert screws from back (solder) side of board, place lockwasher on each screw, start nuts and tighten. Then solder connector pins to board.

- () Step 5.6. Using two 4-40 x 7/16 binder head screws, 1 hex nut and lockwashers, install 25-pin male connector in location J2 (parallel I/O interface). Install J2 in the same manner as you did J1.
- () Step 57. Install Augat pins in mounting holes K, L and M. (Refer to "Installing Augat Pins" in Appendix IV.) These holes are located between U85 and U86. No juniper will be installed.
- () Step 58. Install the following IC's in the indicated locations. Pay careful attention to the proper orientation.

NOTE

Dots on the assembly drawing and PC board indicate the location of pin 1 of each IC.

<u>IC NO.</u>	<u>TYPE</u>
() U37	74L5367
() U38*	1489A*
() U39#	4N26#
() U52	74L5109
() U55	74L500
() U56	1458CP or 1558CP
() U57	7406
() U58	8T94
() U72	74L5109
() U73	74L5109
() U84*	4029*
() U85*	4046*
() U86*	4024*
() U95	74173
() U96	74173
() U97	74175

*MOS device. Refer to CAUTION on Page III-8.

#Solder this IC in its location. See "Loading DIP Devices" in Appendix IV.

- () Step 59. Check input/output (I/O) circuits.

NOTE

The parallel I/O interface should be tested with the device you will be using. Refer to "I/O Interfacing" in Section VII.

(Step 59 continued on Page III-36.)

To check the serial I/O circuits, proceed as follows:

- () Set S1 as in previous test,
Set S2 switches all OFF,
Set S3 switches all OFF, except S3-1 ON,
Set S4 switches all OFF
- () Set all S4 switches to OFF.
- () Connect Sol-PC video output cable to monitor, turn monitor on and apply power to Sol-PC.
- () Set Sol-PC to local by depressing LOCAL key on keyboard to turn keyboard indicator light on.
- () Data entered from the keyboard should appear on the monitor.
- () If the Sol-PC fails this test, locate and correct the cause before proceeding.
- () If the Sol-PC passes this test, turn monitor and power supply off, disconnect power cable and video output cable and go on to Step 60.
- () Step 60. Install the following resistors in the indicated locations. Bend leads to fit distance between mounting holes, insert leads, pull down snug to board, solder and trim.

<u>LOCATION</u>	<u>VALUE (ohms)</u>	<u>COLOR CODE</u>
() R117	10 K	brow-n-black-orange
() R118	10 K	" " "
() R119	10 K	" " "
() R139	1.0M	brown-black-green
() R140	10 K	brown-black-orange
() R141	150 K	brown-green-yellow
() R142	10 K	brown-black-orange
() R143	1 M	brown-black-green
() R144	47 K	yellow-violet-orange
() R145	10 K	brown-black-orange
() R146	10 K	" " "
() R147	2.2M	red-red-green
() R148	100 K	brown-black-yellow
() R149	100	brown-black-brown
() R150	470	yellow-violet-brown
() R151	5.6K	green-blue-red
() R152	150 K	brown-green-yellow
() R153	100 K	brown-black-yellow
() R154	100 K	" " "
() R155	6.8, ½ watt	blue-grey-gold
() R156	6.8, ½ watt	blue-grey-gold
() VR3	50 K	Potentiometer

PROCESSOR TECHNOLOGY CORPORATION

- () Step 61. Install the following capacitors in the indicated locations. Take care to observe the proper value and type for each installation. Bend leads outward on solder (back) side of board, solder and trim. (Refer to NOTE in Step 2.)

CAUTION

REFER TO FOOTNOTE AT END OF THIS STEP
BEFORE INSTALLING C67.

<u>LOCATION</u>	<u>VALUE (ufd)</u>	<u>TYPE</u>
() C47	.001	Disc
() C48	.047	"
() C49	.001	"
() C50	.01	Mylar TQbular
() C51	.1	Disc
() C66	.1	"
() C67*	1	Tantalum
() C68	.1	Disc
() C69	.1	"
() C70	.1	"
() C71	.001	"
() C72	.001	Mylar Tubular
() C73	.047	Disc
() C74	470 pfd	

*Install C67 with "+" lead at top right.

- () Step 62. Install miniature phone jacks in locations J6 and J7 located to the right of U101. Position J6 and J7 with jack facing right, insert pins in mounting holes and solder.
- () Step 63. Install subminiature phone jacks in locations J8 and J9 in lower right corner of board. Install J8 and J9 as you did J6 and J7.
- () Step 64. Install Q3 (2N4360) in its location to the left of C67. Install Q3 with its flat "side" at the bottom. Push straight down on transistor until it is stopped by the leads, solder and trim.

CAUTION

THE 2N4360 IS STATIC SENSITIVE. REFER TO
CAUTION ON PAGE III-8.

- () Step 65. Install Q4 and Q5 (2N2222) in their locations above and to the left of U108. For both transistors, the emitter lead (closest to tab on can) is oriented toward the left and the base lead toward the right. Push straight down on transistor until it is stopped by the leads, solder and trim.

- () Step 66. Install diodes D13 and D14 (1N4001) in their locations in the lower right corner of the board. Position both diodes with their dark band (cathode) at the bottom.
- () Step 67. Install DIP reed relays in locations K1 and K2 to the right of U113. Be sure to install K1 and K2 with their end notch at the bottom (pin 1 in lower right corner). These relays are soldered to the board. (Refer to "Loading DIP Devices" in Appendix IV.)
- () Step 68. Install the following IC's in the indicated locations. Pay careful attention to the proper orientation.

NOTE

Dots on the assembly drawing and PC board indicate the location of pin 1 of each IC.

<u>IC NO.</u>	<u>TYPE</u>
() U69*	TMS6011NC*
() U98*	4023*
() U99*	4030*
() U100*	4013*
() U101*	4027*
() U10S	1458CP or 1558CP
() U109*	4049*
() U110*	4046*
() U111*	4019*
() U112*	4520*
() U113*	4013*

*MOS device. Refer to CAUTION on Page III-8.

- () Step 69. Install Augat pins in mounting holes H, I and J (located to left of C70). (Refer to "Installing Augat Pins" in Appendix IV.) Using #24 bare wire, install a jumper between pins I and J.
 - () Step 70. Adjust VR3.
 - () Using a cable with a male phono jack on both ends, connect ACI audio output (J6) to ACI audio input (J7).
 - () Apply power to Sol-PC.
 - () Set VR3 fully clockwise (CW).
 - () Measure the DC voltage at pin 13 of U110 and write the measured voltage down. (Call this Voltage A.)
 - () Set VR3 fully counterclockwise (CCW).
- (step 70 continued on Page III-39.)

- () Measure the DC voltage at pin 13 of U110 and write the measured voltage down. (Call this Voltage B.)
- () Add Voltages A and B and divide the sum by 2. (Call the result Voltage C.) An example follows:

Voltage A (VR3 full CW):	3.45 V dc
Voltage B (VR3 full CCW):	1.80 V dc

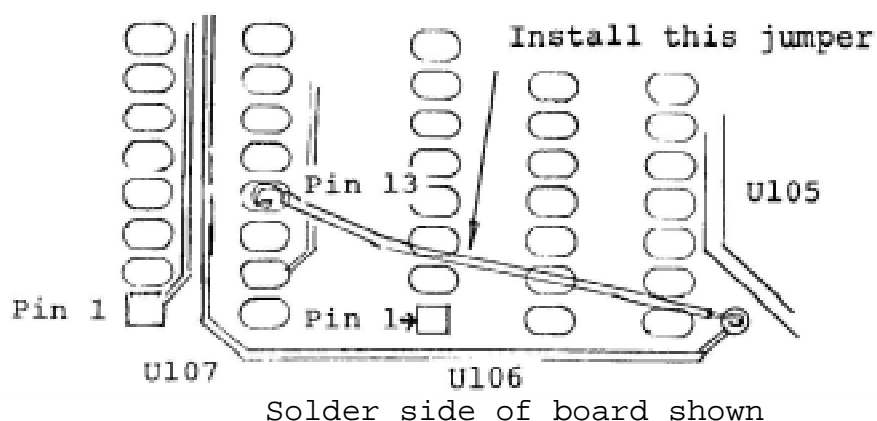
$$A + B = 5.25 \text{ V dc}$$

$$\text{Voltage C} = 5.25 \text{ V dc} / 2 = 2.63 \text{ V dc}$$

- () Adjust VR3 so that the voltage at pin 13 of U110 equals Voltage C. (In the preceding example this would be 2.63 V dc.)
- () Step 71. If your recorder has only a microphone input, remove the I-to-J jumper you installed in Step 69 and install a jumper (#24 bare wire is recommended) between the I and H pins.

Otherwise, leave the I-to-J jumper in and go on to Step 72.

- () Step 72. Install 100-pin edge connector, J11. Using two 4-40 x 7/16 binder head screws, install 100-pin edge connector in location J11 (center of PC board). Seat the pins in the mounting holes. Then thread screws from front (component) side of board into the threaded inserts that are pre-installed in the J11 mounting holes. Tighten screws and solder pins to board.
- () Step 73. Look on the rear of the board, on the component side, where the Personality Module plugs in, for a mark "Rev E". If your board is marked this way, complete this step, otherwise ignore this step. Connect a jumper of #24 a.w.g. insulated wire between pin 13 of U107 and the feed-through pad adjacent to pin 21 of U105. Solder, check for solder bridges, and trim excess wire strands if needed. The installed jumper is shown below.



3.6.4 Modification for 625 Line Video

The European televisions standard defines a raster of 625 lines at a field rate of 50 Hz. The horizontal rate of the U.S. standard, 15,750 Hz., is maintained. Only the number of scan lines on the screen is increased.

The Video Display Generator section may be modified for the 50 Hz. standard by following the additional steps below. The effect of the modification is to increase the modulus of the counter U62 to eight during VDISP. This results in four extra character lines (52 scan lines) between the bottom and top of the display area, for a total of 312 scan lines per field and 624 scan lines per frame.

The field rate should be close enough to 50 Hz. to reduce any swim effects to less than 0.1 Hz. Some difficulty may be encountered in obtaining centering of the display within the frame. This is because the stand-off time to VSYNC from the bottom of the display is unchanged from the 60 Hz. standard. If objectionable, increase the value of resistor R100 which is in series with the VPOS control.

To convert for 50 Hz., perform these additional steps:

- () Locate U62 on the component side legend. Find pin 5 of this IC on the component (front) side of the board. Cut the "V"-shaped trace connecting pin 5 to the nearby pad designated "AF", using a sharp exacto blade or scribe, so that there is no continuity between these pads.
- () Bend a small piece of bare wire, such as a resistor clipping, into a loop to form a jumper between pad "AF", and the adjacent pad "AG". Insert the jumper, pull close to the board, solder, and trim the leads.

If this modification is made, change the schematic, X-18, to show that pin 5 of U62 now connects to pin 4 (ground), instead of pin 6 as shown.

IV PERSONALITY MODULE ASSEMBLY

4.1	Parts and Components	IV-1
4.2	Assembly Tips	IV-1
4.3	Assembly Precautions	IV-1
4.4	Required Tools, Equipment and Materials . .	IV-1
4.5	Orientation	IV-1
4.6	Assembly-Test	IV-2
	4.6.1 Circuit Board Check	IV-2
	4.6.2 Assembly-Test Procedure	IV-2

4.1 PARTS AND COMPONENTS

When ordering your Sol, you selected one of two types of Personality Modules: CONSOL Or SOLOS. The outer carton of your kit is stamped with the Personality Module type. Both use the same PC board marked 2708, assembly #107000, and differ only in the type of ROM's and their programming. (An alternative PC board marked 5204 and designed for type 5204 EPROM's is also available but not supplied with this kit. Schematic diagram X-4 and assembly drawing X20 refer to this alternative board.) Check all parts against Table 4-1 below. If you have difficulty identifying any parts, refer to Figure 3-1 on page 111-5.

One of two kits, using the same PC board: 2708-0 or 2708-1 may be supplied. The 2708-0 version uses one 9216 masked ROM which has no window on top of the IC package. The 2708-1 version uses two 2708 EPROM's which have windows.

Table 4-1. PM2708 Personality Module Parts List.

1	PM2708 PC Board	1 or 4*	1-ufd Capacitor,
1 or 2*	9216 ROM or 2708 EPROM's with Personality program	1 or 2*	Tantalum Dipped 24-pin DIP Socket
1	74LS08	1	14-pin DIP Socket
0 or 2*	1.N523]B Zener Diode	1	Handle Bracket (Sol-1045)
3 or 4*	10K ohm, ¼ watt, 5% Res.	2	2-56X1/8 Binder Head
0 or 2*	100 ohm, ½ watt, 5% Res.		Screw
1	.047-ufd Disc Ceramic		

* These are the quantities of parts used in the 2708-1 version.

4.2 ASSEMBLY TIPS

For the most part the assembly tips given in Paragraph 3.2 of Section III (Page III-1) apply to assembling the personality module.

4.3 ASSEMBLY PRECAUTIONS

For the most part the assembly precautions given in Paragraph 3.3 in Section III (Page III-6) apply.

4.4 REQUIRED TOOLS, EQUIPMENT AND MATERIALS

The following tools, equipment and materials are recommended for assembling the personality module.

- | | |
|----------------------------|--|
| 1. Needle nose pliers | 5. 60-40 rosin-core solder
(supplied) |
| 2. Diagonal cutters | 6. Small amount of #24
solid wire |
| 3. Screwdriver | |
| 4. Soldering iron, 25 watt | |

4.5 ORIENTATION

Capacitor location C2 will be located in the upper left hand corner of the board when the edge connector is positioned at the

left end of the board. In this position the component (front) side of the board is facing up. Subsequent position references related to the personality module circuit board assume this orientation.

4 . 6 ASSEMBLY-TEST

4.6.1 Circuit Board Check

- () Visually check circuit board for broken traces, shorts (solder bridges) between traces and similar defects.
- () Check circuit board to insure that the +5-volt bus, +12 volt bus and -12-volt bus are not shorted to each other or to ground. Using an ohmmeter, make the following measurements (refer to personality module assembly drawing in Section X)
 - () +5 volt Bus Test. On U1, measure between pin 12, (ground) and pin 24 (+5 volts). There should be no continuity.
 - () -5 volt Bus Test. On U1 and U2, measure between pin 12 (ground) and pin 21 (-5 volts) . There should be no continuity.
 - () +12 volt Bus Test. Also on U1, measure between pin 12 (ground) and the bottom edge connector pin on the component side of the board marked A1.
 - () Inter-bus Test. On U1, measure between pins 12 and 21, then between edge connector pin A1 and pins 21, then 12. There should be no continuity in any of these measurements.

If visual inspection reveals any defect, or you measure continuity in any of the preceding tests, return the board to Processor Technology for replacement. If the board is not defective, proceed to next paragraph.

4.6.2 Assembly-Test Procedure

Refer to personality module assembly drawing X-6.

CAUTION

THE MEMORY IC'S USED ON THE PERSONALITY MODULE ARE MOS DEVICES. THEY CAN BE (CAUTION continued on Page IV-3)

DAMAGED BY STATIC ELECTRICITY DISCHARGE. HANDLE THESE IC'S SO THAT NO DISCHARGE FLOWS THROUGH THE IC. AVOID UNNECESSARY HANDLING AND WEAR COTTON, RATHER THAN SYNTHETIC, CLOTHING WHEN HANDLING MOS IC'S. (STATIC DISCHARGE PROBLEMS ARE MUCH WORSE IN LOW HUMIDITY CONDITIONS.)

- () Step 1. Install DIP sockets. Install each socket in the indicated location with its end notch oriented as shown on the circuit board and assembly drawing. Take care not to create solder bridges between the pins and/or traces.

INSTALLATION TIP

Insert socket pins into mounting pads of appropriate location. On back (solder) side of board, bend pins at opposite corners of socket (e.g. pins 1 and 9 on a 16-pin socket) outward until they are at a 45 degree angle to the board surface. This secures the socket until it is soldered. Repeat this procedure with each socket until all are secured to the board. Then solder the pins on all sockets.

<u>LOCATION</u>	<u>TYPE SOCKET</u>
() U1	24 pin
() U2*	24 pin*
() U3	14 pin

*Used on 2708-1 version only.

- () Step 2. Install the following resistors in the indicated locations. Install these resistors parallel with the board. Bend leads by using needle nose pliers to grip the resistor lead right next to the resistor body, and bend the portion of the lead on the other side of the pliers with your finger. The bend must be the right distance from the resistor body for the resistor to fit easily into its two holes. Insert the leads into the two holes, and from the opposite side of the board pull the leads to bring the resistor body down to touch the board, head the leads outward on the solder (back) side of the board so the resistors do not slip out of position.

PROCESSOR TECHNOLOGY CORPORATION

Sol PERSONALITY MODULE

SECTION IV

<u>LOCATION</u>	<u>VALUE</u>	<u>COLOR CODE</u>
() R1*	100 ohms	brown-black-brown
() R2*	100 ohms	brown-black-brown
() R3	10K	brown-black-orange
() R4*	10K	brown-black-orange
() R5	10K	brown-black-orange
() R6	10K	brown-black-orange

*not used on 2708-0 version

() Step 3. Install 1N5231B Zener Diodes in locations Z1, and Z2 if you have the 2708-1 version. Form the leads as in Step 2. Insert the diodes so that the white band on the diode is in the position indicated by the legend. Bend the leads outward to retain the diodes, then solder and trim the leads.

() Step 4. Install the following capacitors in the indicated locations. Take care to observe the proper value, type and orientation for each installation. On the dipped tantalum capacitors, the "+" lead is the one which is closest to the "+" marking on the body of the capacitor. Insert this lead in the hole marked "+" on the PC board legend. After inserting C5, remove it from the board before soldering to clear wax from the leads and holes. After inserting all capacitors, pull them close to the board and bend the leads outward to secure them. Solder and trim all leads.

<u>LOCATION</u>	<u>VALUE (ufd)</u>	<u>TYPE</u>
() C1*	1	Dipped Tantalum
() C2	1	Dipped Tantalum
() C3*	1	Dipped Tantalum
() C4*	1	Dipped Tantalum
() C5	.047	Disc Ceramic

*not used on 2708-0 version

() Step 5. Check for +5, +12, and -12 volt bus-to-ground shorts. Using an ohmmeter on OHMS times 1K or OHMS times 10K scale, make the following measurements. A typical reading is 1 Megohm. A reading less than 10K indicates a short.

() Measure between edge connector pins A2 and A15.

() Measure between edge connector pins A14 and A15.

() Measure between edge connector pins A1 and A15.

() If any measurement indicates a short, find and correct the problem before proceeding.

Rev C () Step 6. Using two 2-56 x 1/8" binder head screws, install

handle bracket (Sol-10 45) . Position bracket on front (component) side of board at the right end as shown in Figure 4-2. Align bracket holes with mounting holes in board, insert screws from back (solder) side of board and drive into bracket. No nuts are needed since the bracket holes are tapped.

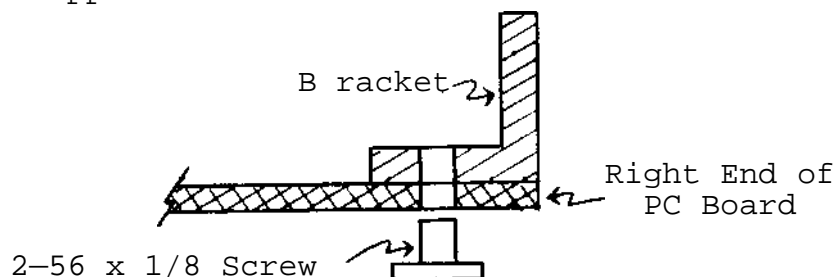


Figure 4-2. Handle bracket (Sol-1045) installation.

- () Step 7. If you have a 2708-0 version with the 9216 ROM (windowless) , omit this step. If you have the 2708-1 version, find the area above the U1 socket where the legend reads "-5V 21 CO 19 +12V." This legend designates five PC pads in a row directly underneath. On the back (solder) side of the board, there is a small trace which connects the "CO" and "21" pad. Cut this trace with a sharp knife or scribe point so there is no longer continuity between these pads. Form the clipping from a resistor lead, or other small bare wire into a loop and insert this jumper between the "-5V" pad and the "21" pad. Solder and trim the leads. Next find the two pads between C2 and R6, with legend "-16" under the right pad of the pair. On the back (solder) side of the board, cut the trace which connects these pads.
- () Step 8. Stop assembly at this point and proceed with Sol-PC assembly and test up through Step 48. (See Section III.) Then go on to Step 9 of this procedure.
- () Step 9. Plug personality module into J5 on Sol-PC, apply power to Sol-PC and make the following voltage measurements on the personality module, with respect to chassis ground:

<u>MEASUREMENT POINT</u>	<u>VOLTAGE</u>
Pin 24 of U1, U2	+5 V dc \pm 5%
Pin 14 of U3	+5 V dc \pm 5%
Pin 21*of U1, U2	-5 V dc \pm 5%
Pin 12 of U1, U2	Ground
Pin 7 of U3	Ground

*For 2708-1 version only

- () Measure between edge connector pin B14 and pin B15. You should measure more than 1M ohms. A reading less than 10K ohms indicates a short.

PROCESSOR TECHNOLOGY CORPORATION

- () If any voltages are incorrect, locate and correct the cause before proceeding to Step 10.
- () If the voltages are correct, turn power off, disconnect power cable, unplug personality module and go on to Step 10.
- () Step 10. Install IC's in the sockets numbered U1 through U3. Make sure the dot or notch indicating pin 1 on the IC package is in the correct position as indicated on the PC board component legend and the assembly drawing X-6. Socket U2 is left empty on 2708-0 versions (9216 ROM with no window). As shown in the table, the 2708 EPROM's have paper labels with the designation shown, while 9216 ROM's have the designation printed on the IC package itself.

		<u>IC LABEL</u>		
	<u>IC NO.</u>	<u>TYPE</u>	<u>CONSOL</u>	<u>SOLOS</u>
	() U1*	2708	C	S4
2708-0	() U2*	2708	Empty	S5
version	() U3	74LS08	--	--
	() U1*	9216		SOLOS
2708-1	() U2	Empty	--	--
version	() U3	74LS08	--	--

*MOS devices. See CAUTION on pages IV-2, 3.

- () Step 11. Plug personality module into J5 on Sol-PC and connect Sol-PC video output cable to video monitor. (Refer to CAUTION on Page III-22 in Section III.)
- () Set S1 switches as follows:
 - No. 1 through 4: OFF
 - No. 5: ON
 - No. 6: OFF
- () Turn monitor on and apply power to Sol-PC
- () With both the CONSOL and SOLOS modules, you should see the cursor, preceded by a prompt character, like this:
 - > █
- () If you do not see a cursor, locate and correct the problem before proceeding.

- () If a blinking cursor is present, the ENter and DUmp commands should operate as described in Section IX of this manual.
- () If the ENter and Dump commands do not operate correctly, locate and correct the problem before proceeding.
- () If the personality module is operating correctly, turn monitor and power off, disconnect power cable and video output cable and go on to Step 50 in Section III. (The personality module can be left plugged in.)

V KEYBOARD ASSEMBLY and TEST

5.1	Parts and Components	V-1
5.2	Assembly Tips	V-1
5.3	Assembly Precautions	V-1
5.4	Required Tools, Equipment and Materials . .	V-1
5.5	Orientation	V-1
5.6	Assembly-Test	V-3
5.6.1	Circuit Board Check	V-3
5.6.2	Assembly-Test Procedure	V-3

5.1 PARTS AND COMPONENTS

Check all parts and components against the "Parts List", Table 5-1. If you have difficulty in identifying any parts by sight, refer to Figure 3-1 on Page III-S in Section III of this manual.

5.2 ASSEMBLY TIPS

For the most part the assembly tips given in Paragraph 3.2 of Section III (Page III-1) apply to assembling the Sol keyboard.

In addition, be sure your hands are clean before handling the circuit board, especially the area containing the keyboard switch pads.

5.3 ASSEMBLY PRECAUTIONS

For the most part the assembly precautions given in Paragraph 3.3 in Section III (Page III-6) apply to assembling the Sol keyboard.

5.4 REQUIRED TOOLS, EQUIPMENT AND MATERIALS

The following tools, equipment and materials are recommended for assembling the personality module:

1. Needle nose pliers
2. Diagonal cutters
3. Screwdriver (thin blade)
4. Controlled heat soldering iron, 25 watt
5. 60-40 rosin-core solder (supplied)

5.5 ORIENTATION

Light emitting diode location LED3 will be located in the lower left-hand corner of the board when locations J1 and U4 through U16 are at the top of the board. In this position the component (front) side of the board is facing up and all horizontal reading legends will read from left to right. Subsequent position references related to the keyboard circuit board assume this orientation.

PROCESSOR TECHNOLOGY CORPORATION

Sol KEYBOARD

SECTION V

Table 5-I. Sol Keyboard Parts List.

<u>INTEGRATED CIRCUITS</u>					
1	555 (U3)	1	74LS30 (U25)		
1	2101 or 9101 (U20)	2	7442 (U17 & 21)		
2	4051A (U19 & 22)	5	74LS74 (U8,9,11,15,26)		
4	74LS00 (U4,10,14,16)	2	7493 (U6,U5)		
1	74LS04 (U23)	1	74LSI32 (U7)		
1	7406 (U24)	2	74LS175 (U1,U2)		
2	74LS10 (U13 & 27)	1	8334, 9334 or 83L34 (U12)		
		1	8574, 74S287, or 82S129 (U18)		
<u>TRANSISTORS</u>		<u>DIODES (ZENER)</u>			
6	2N3640	1	1N5221B (D1)		
3	2144274				
		<u>DIODES (LIGHT EMITTING)</u>			
		3	MV5752 (LED1,2,3)		
RESISTORS	CAPACITORS				
1	10	ohm, ¼ watt, 5%	2	220	pfd, disc
3	150	ohm, ¼ watt, 5%	1	470	pfd, disc
1	390	ohm, ¼ watt, 5%	1	.0022	ufd, disc
1	680	ohm, ¼ watt, 5%	2	.01	ufd, disc
7	1 K	ohm, ¼ watt, 5%	5	.047	ufd, disc
10	1.5K	ohm, ¼ watt, 5%	1	.1	ufd, Mylar tubular
1	2.2K	ohm, ¼ watt, 5%	2	15	ufd, tantalum dipped
5	3 K	ohm, ¼ watt, 5%			
2	33 K	ohm, ¼ watt, 5%			
2	68 K	ohm, ¼ watt, 5%			
2	2.2K ohm resistor network				
2	33 K ohm resistor network				

Table 5-1. Sol Keyboard Parts List (Continued).

MISCELLANEOUS

1	Sol-KBD Printed Circuit Board
1	8-pin DIP Socket
17	14-pin DIP Socket
8	16-pin DIP Socket
1	22-pin DIP Socket
1	20-pin Header, 3M3492-2002
1	9-3/4" 20-conductor Rainbow Cable Assembly
1	70-key (Sol-10) or 85-key (Sol-20) Keyboard Assembly
1	Plastic Insert (Sol-10) for Key Pad
18	Torx Screw (Similar to #4 by 3/8" sheet metal screws.)
3	Fiber Spacer
1	Length Solder

5.6 ASSEMBLY-TEST

5.6.1 Circuit Board Check

- () Visually inspect circuit board for obvious flaws. (The design of the board includes numerous unconnected traces and traces that are shorted to each other.)
- () Check circuit board to insure that the +5-volt bus is not shorted to ground. Using an ohmmeter, measure between the GND and +5V pads located in the upper left corner of the board. There should be no continuity.

If no visual inspection reveals any defect, or you measure continuity between the GND and +5v pads, return the board to Processor Technology for replacement. If the board is not defective, proceed to next paragraph.

5.6.2 Assembly-Test Procedure

Refer to keyboard assembly drawing X-7.

CAUTION

SOME MOS INTEGRATED CIRCUITS ARE USED ON THE S01 KEYBOARD. THEY CAN BE DAMAGED BY STATIC ELECTRICITY DISCHARGE. HANDLE MOS IC'S SO THAT NO DISCHARGE FLOWS THROUGH TEE IC. AVOID UNNECESSARY HANDLING AND WEAR COTTON, RATHER THAN SYNTHETIC, CLOTHING WHEN YOU DO HANDLE MOS IC'S. (STATIC CHARGE PROBLEMS ARE MUCH WORSE IN LOW HUMIDITY CONDITIONS.)

- () Step 1. Install DIP sockets. Install each socket in the indicated location with its end notch oriented as shown on the circuit board and assembly drawing. Take care not to create solder bridges between the pins and/or traces. (Refer to "Installation Tip" on Page 111-9 in Section III.)

<u>LOCATION</u>	<u>TYPE SOCKET</u>
() U1 and 2	16 pin
() U3	8 Pin
() U4 through U11	14 pin
() U12	16 pin
() U13 through U16	14 pin
() U17 through U19	16 pin
() U20	22 pin
() U21 and 22	16 pin
() U23 through U27	14 pin

- () Step 2. Install the following Capacitors in the indicated locations. Take care. to observe the proper value, type and orientation (if applicable) for each installation. Insert leads, pull down snug to board, bend leads outward on solder (back) side of board, solder and trim.

NOTE

Disc capacitor leads em usnally coated with wax during the manufacturing process. After inserting leads through mounting holes, remove capacitor and clear the holes of any wax. Reinsert and install.

<u>LOCATION</u>	<u>VALUE</u>	<u>TYPE</u>	<u>ORIENTATION</u>
() C1	15 ufd	Tantalum	"+" lead top
() C2	.047 ufd	Disc	None
() C3	.1 ufd	Mylar:	"

(Continued on Page V-5.

PROCESSOR TECHNOLOGY CORPORATION

Sal KEYBOARD

SECTION V

<u>LOCATION</u>	<u>VALUE</u>	<u>TYPE</u>	<u>ORIENTATION</u>
() C4	.01 ufd	Disc	None
() C5	.047 ufd	"	"
() C6	.047 ufd	"	"
() C7	.0022 ufd	"	"
() C8	470 pfd	"	"
() C9	220 pfd	"	"
() C10	220 pfd	"	"
() C11	.01 ufd	"	"
() C12	.047 ufd	"	"
() C13	.047 ufd	"	"
() C14	15 ufd	Tantalum	"+" lead top

- () Step 3. Install the following resistors in the indicated locations. Bend leads to fit distance between mounting holes, insert leads, pull down snug to board, solder and trim.

<u>LOCATION</u>	<u>VALUE (ohms)</u>	<u>COLOR CODE</u>
() R1	150	brown-green-brown
() R2	150	" " "
() R3	150	" " "
() R4	68 K	blue-gray-orange
() R5	560 K	green-blue-yellow
() R6	33 K	orange-orange-orange
() R7	1 K	brown-black-red
() R8	1.5K	brown-green-red
() R9	3 K	orange-black-red
() R10	3 K	" " "
() R11	3 K	" " "
() R12	3 K	" " "
() R13	1.5K	brown-green-red
() R14	1.5K	" " "
() R15	1.5K	" " "
() R16	1 K	brown-black-red
() R17	390	orange-white-brown
() R18	1 K	brown-black-red
() R19	10	brown-black-black
() R20	1 K	brown-black-red
() R21	1 K	" " "
() R22	3 K	orange-black-red
() R23	1 K	brown-black-red
() R24	1 K	" " "
() R25	1.5K	brown-green-red
() R26	680	blue-gray-brown
() R27	33 K	orange-orange-orange
() R28	1.5K	brown-green-red
() R29	1.5K	" " "

(Continued on Page V-6.)

<u>LOCATION</u>	<u>VALUE (ohms)</u>	<u>COLOR CODE</u>
() R30	1.5K	brown-green-red
() R31	1.5K	" " "
() R32	68 K	blue-gray-orange
() R33	1.5K	brown-green-red
() R34	2.2K	red-red-red

() Step 4. Install Zener diode D1 (1N5221B) in its location to the left of R17. Position D1 with its dark band (cathode) at the bottom.

() Step 5. Install Q1, Q2 and Q9 (2N4274) and Q3 through Q8 (2N3640) in their respective locations at the top center of the board. The emitter lead (closest to flat side of case) is oriented toward the right of the board and the base is oriented toward the top. Insert leads until transistor is approximately 3/16" above surface of circuit board, solder and trim.

() Step 6. Install resistor networks RX1 and RX3 (2.2K ohms) and RX2 and RX4 (33K ohms) in their respective locations just above the keyboard pads. Install each network so that the dot on its package is positioned next to the foil square on the circuit board. Recheck values before soldering.

CAUTION

THESE RESISTOR NETWORKS ARE DELICATE.
HANDLE WITH CARE.

- () Step 7. Install light emitting diodes LED1, 2 and 3 (MV5752) in their respective locations in the lower left corner of the circuit board. Insert leads through fiber spacer, position each diode with its cathode lead (longer lead and/or the lead next to flat edge of LED package) at the bottom, insert leads into mounting holes in circuit board, pull down so that spacer and LED are snug to board, solder and trim. (If fiber spacers are not supplied with your kit, install LED's so they are approximately 3/16" above surface of circuit board.)
- () Step 8. Install 20-pin header in location J1 (upper left corner of board). Position header so pin 1 is in the lower left corner. (An arrow on the header points to pin 1.) Solder.
- () Step 9. Using an ohmmeter, measure between GND and +5V pads in upper left corner of the board. You should measure some resistance. Zero resistance indicates a short. If required, find and correct the problem before proceeding to Step 10.

- () Step 10. Install the following IC's in the indicated locations. Pay careful attention to the proper orientation.

NOTE

Dots on the assembly drawing and PC board indicate the location of pin 1 of each IC.

<u>IC NO.</u>	<u>TYPE</u>
() U1	74LS175
() U2	74LS175
() U3	555
() U4	74LS00
() U5	7493
() U6	7493
() U7	74LS132
() U8	74LS74
() U9	74LS74
() U10	74LS00
() U11	74LS74
() U12	8334, 9334 or 83L34
() U13	74LS10
() U14	74LS00
() U15	74LS74
() U16	74LS00
() U17	7442
() U18	8574, 74S287, or 82S129
() U19*	4051A*
() U20*	2101 or 9101*
() U21	7442
() U22*	4051A*
() U23	74LS04
() U24	7406
() U25	74LS30
() U26	74LS74
() U27	74LS10

*MOS device. Refer to CAUTION on Page V-4.

- () Step 11. Connect 20-conductor ribbon cable between J1 on keyboard to J3 on Sol-PC so that cable goes left from J3.

- () Step 12. Check keyboard operation.

- () Set S1 switches on Sol-PC as follows:

No. 1 through 4: OFF

No. 5: ON

No. 6: OFF

- () Connect TV monitor to Sol-PC.
- () With personality module installed, apply power to Sol-PC.
- () Using a CLEAN finger, touch key pad #62 (MODE SELECT).
- () You should get a carriage return and line feed and see a greater than" sign (>) on the screen above the cursor.

NOTE

You may have to touch pad #62 several times to obtain the specified display.

- () If you are unable to obtain the specified display, locate and correct the problem before proceeding.
- () if the keyboard is operating correctly, turn monitor and Sol-PC power off, disconnect 20-conductor ribbon cable at J1 on the keyboard and go on to Step 13.
- () Step 13. Place keyboard assembly carefully over key pads on PC board. Be sure the three LED's fit in the holes in the sheet metal. Carefully align holes in PC board, 18 in all, with threaded mounting holes on bottom of keyboard assembly. Insert Torx screws from solder (back) side of board and, using a thin-blade screwdriver, drive into keyboard assembly mounbing holes. Drive screws evenly and tighten just enough to hold keyboard assembly in place.

CAUTION: DO NOT OVERTIGHTEN THESE SCREWS

- () Step 14. Reconnect 20-conductor ribbon cable to J1 on keyboard.
- () Step 15. Test keyboard for proper operation.
 - () Apply power to monitor and Sol-PC.
 - () Strike MODE SELECT key.
 - () Strike UPPER CASE key. Indicator light should come on.
 - () Strike UPPER CASE key again. Indicator light should go off.
 - () Strike LOCAL key. Indicator light should come on.
 - () Strike LOCAL key again. Indicator light should go off.

(Step 15 continued.)

- () Strike SHIFT LOCK key. Indicator light should come on.
- () Strike either SHIFT key. Indicator light should go off.
- () Verify operation of all alphanumeric keys. (As you strike each key you should observe the corresponding character on the monitor.)
- () Should the keyboard fail any of the preceding checks, locate and correct the problem before proceeding.
- () If the keyboard passes all of the preceding tests, congratulations on a job well done.

At this point you have successfully assembled the Sol keyboard and tested it for proper operation. It is now ready for use with the Sol-PC Single Board Terminal Computer™

Having completed the Sol keyboard, power supply, Sol-PC and personality module, you are now ready to assemble the Sol cabinet-chassis. Cabinet-chassis assembly instructions are provided in Section VI.

VI Sol CABINET-CHASSIS ASSEMBLY

6.1	Introduction	VI-1
6.2	Parts and Components	VI-1
6.3	Assembly Tips	VI-1
6.3.1	General	VI-1
6.3.2	Electrical	VI-1
6.3.3	Mechanical	VI-5
6.4	Required Tools, Equipment and Materials	VI-6
6.5	Orientation	VI-6
6.5.1	Sol Backplane Board, Sol-BPB	VI-6
6.5.2	Sol Cabinet-Chassis	VI-6
6.6	Assembly-Test	VI-6
6.6.1	Backplane Board (Sol-BPB) Assembly	VI-6
6.6.2	Sol Assembly	VI-9

6.1 INTRODUCTION

This section covers assembly of the Sol-20 chassis and cabinet. The instructions contained herein assume that you have already assembled the power supply and Sol-PC Single Board Terminal Computer™... including the personality module.

6.2 PARTS AND COMPONENTS

You will need the parts listed in Table 6-1 to assemble your Sol cabinet-chassis. At this point in assembly, Table 6-1 should reflect the remaining parts in your Sol kit. (Note that you may have been supplied extra pieces of some hardware items, so do not panic should you have a few pieces of hardware left over after you have completed assembling your Sol-20.) If you have any difficulty in identifying individual pieces of hardware, refer to Figure 6-1 and 6-2. Table 6-1 lists each part, its description, quantity and reference designation on the drawing(s) you will use in assembling the cabinet-chassis. The assembly drawings in Section X will also prove useful in identifying parts.

6.3 ASSEMBLY TIPS

6.3.1 General

1. Scan Section VI in its entirety before you start to assemble your Sol cabinet-chassis.

2. IT IS IMPORTANT that you follow the step-by-step instructions in the order given when assembling the Sol cabinet-chassis if your assembly is to be done correctly and with minimum effort.

3. Assembly steps and component installations are preceded by a set of parentheses. Check off each installation and step as you complete them. This will minimize the chances of omitting a step or component.

4. Should you encounter any problem during assembly, call on us for help if needed.

6.3.2 Electrical

1. Use a low-wattage soldering iron, 25 watts maximum, for all soldering.

2. Solder neatly and as quickly as possible.

3. Use only 60-40 rosin-core solder. NEVER use acid-core solder or externally applied fluxes.

PROCESSOR TECHNOLOGY CORPORATION

Sol CABINET-CHASSIS

SECTION VI

Table 6-1. Sol-20 Cabinet-Chassis Parts List.

<u>PART</u>	<u>DESCRIPTION</u>	<u>QUANTITY</u>	<u>REFERENCE</u>	
			<u>Drawing No.</u>	<u>Designator</u>
Circuit Board	Sol Backplane	1	X-8	4
Cable Assembly	Sol Backplane, 3", 5-wire	1	X-10	1
Connector	PC, 100-pin	1	X-8	5
Connector	PC, 100-pin	5	X-8	6
Plug	Coax, 75 ohm	1	Fig. 6-5 Sect. VI	-
Sleeve	Coax Adapter	1	Fig. 6-5 Sect. VI	-
Chassis	Main	1	X-8	11
Subchassis	Expansion	1	X-9	12
Bracket	Connecting, Power Supply Subchassis	1	X-9	13
Bracket	Keyboard Support	2	X-9	14
Bracket	Backplane, Right Angle	2	X-8	16
Bracket	Backplane, Left Gusset	1	X-8	17
Bracket	Backplane, Right Gusset	1	X-8	18
Card Guide	Plastic, 4"	10	X-8	34
Assembly	Left Side Panel	1	X-9	5
Assembly	Right Side Panel	1	X-9	6
Cover	Keyboard	1	X-10	10
Cover	Top	1	X-10	22
Cover	Logo, Plexiglass	1	X-10	20
Label*	Sol Logo*	1*	X-10	21
Label	Fingerwell, Black	2	X-9	28
Label	Connector Identification	1	X-8	29
Label	Serial Number	1	X-8	26
Foot	Rubber, Adhesive	4	Fig. 6-8 Sect. VI	-
Screw	Machine, 4-40 x 3/16	2	X-8	44
Screw	Machine, 4-40 x 5/16	16	X-8&9	39
Screw	Machine, 4-40 x 5/8	6	X-8	38

*May be packaged under logo cover.

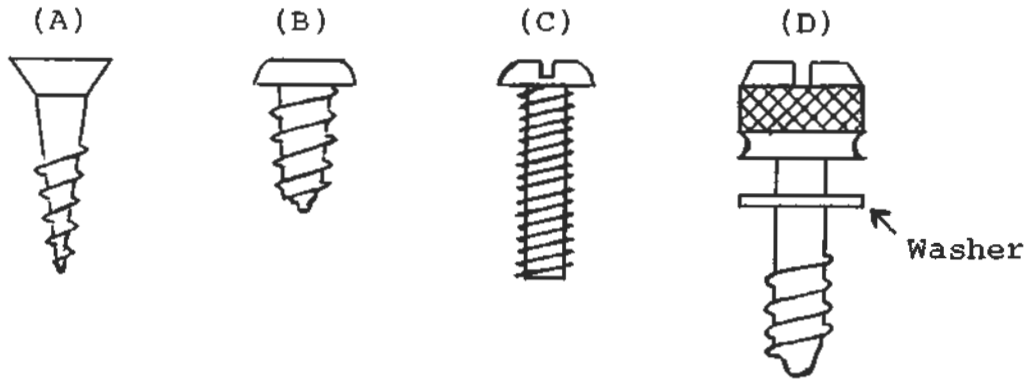
PROCESSOR TECHNOLOGY CORPORATION

Sol CABINET-CHASSIS

SECTION VI

Table 6-1. Sol-20 Cabinet-Chassis Parts List. (Continued)

<u>PART</u>	<u>DESCRIPTION</u>	<u>QUANTITY</u>	<u>REFERENCE</u>	
			<u>Drawing No.</u>	<u>Designator</u>
Lockwasher	Internal Tooth, #4	16	X-8&9	48
Lockwasher	Spring, #4	8	X-8	56
Hex Nut	4-40	16	X-8&9	51
Screw	Machine, metal, 6-32 x 1/2	8	X-9&10	40
Screw	Self-tapping, 6-32 x 5/16	1	X-9	43
Screw	Sheetmetal, #6 x 1/4	32	X-8&9	45
Lockwasher	Internal Tooth, #6	8	X-8&10	49
Washer	Flat, #6	18	X-8&9	56
Screw	Machine, 10-24 x 3/8	8	X-9	42
Screw	Machine, 10-24 x 1	2	X-9	41
Screw	Quick Connect, Knurled	2	X-10	33
Cable	Flat, 20-wire	1	X-10	23
Assembly	Keyboard	1	X-10	3
Cable	AC Power, 3-wire	1	X-10	36
Subassembly	Sol Power Supply	1	X-9	1
Subassembly	Sol-PC	1	X-10	2
Subassembly	2708/9216 Personality Module	1	X-10	8



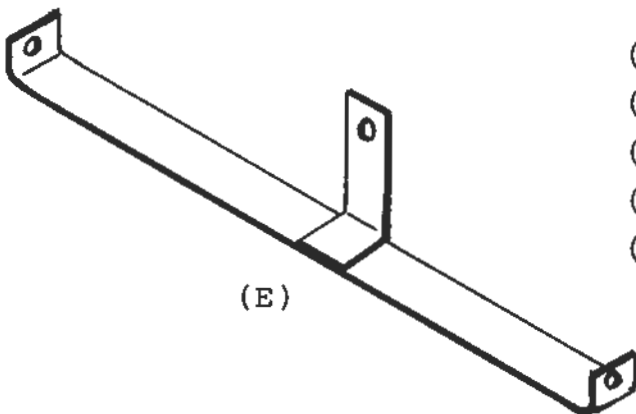
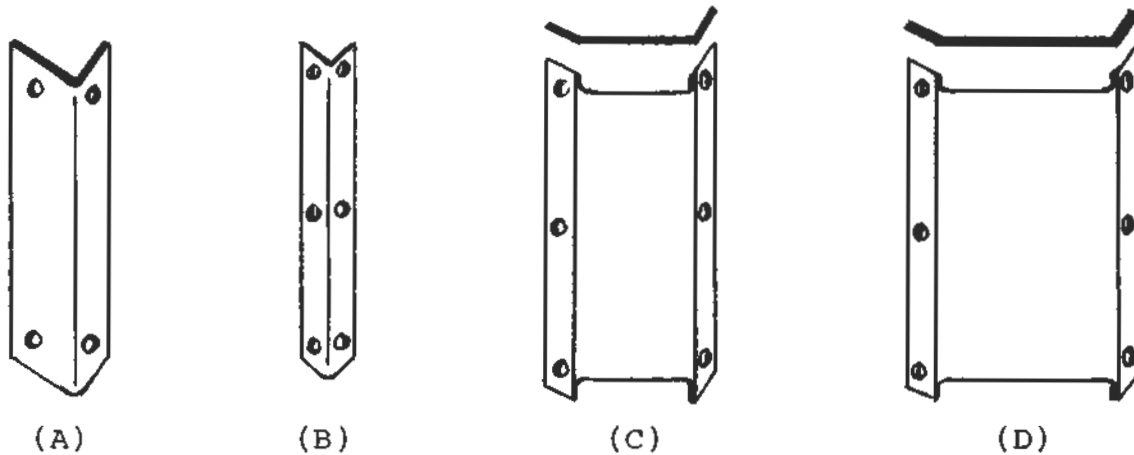
(A) Flat Head Wood Screw

(C) Binder or Pan Head Screw

(B) Sheet Metal Screw

(D) Thumb Screw

Figure 6-1. Types of screws used in Sol cabinet-chassis assembly.



(A) Keyboard Bracket

(B) Backplane Bracket, Right Angle

(C) Gusset Bracket, Left

(D) Gusset Bracket, Right

(E) Power Supply Subchassis Bracket

Figure 6-2. Brackets used in Sol cabinet-chassis assembly.

6.3.2 Electrical (continued)

4. DO NOT press the tip of the soldering iron on pads or traces when installing components and/or attaching leads to a PC board. To do so can cause the pad or trace to "lift" off the board and permanently damage it.

5. The Backplane PC board (Sol-BPB) has plated-through holes. Solder flow through to the component side of the board can produce solder bridges (shorts). Check for such bridges after you install each component or wire.

6. The Backplane PC board (Sol-BPB) has an integral solder mask (a lacquer coating) that shields selected areas on the board. This mask minimizes the chances of creating solder bridges during assembly.

6.3.3 Mechanical

1. If you do not have the proper screwdrivers (see Paragraph 6.4), we recommend that you buy them rather than using a knife point, a blade screwdriver on a Phillips screw, and other makeshift means. Proper screwdrivers minimize the chances of stripping threads, disfiguring screw heads and marring decorative surfaces.

2. To assure a correct fit and tight assembly, be sure you use the screws specified in the instructions.

3. Lockwashers are widely used in the Sol cabinet-chassis assembly so that screws will not loosen when subjected to stress or vibration. When a lockwasher is specified, do not omit it and make sure you install it correctly.

4. Some instructions call for prethreading holes. This is done to make assembly easier by giving you maximum working space for installing relatively hard-to-drive sheet metal screws. If you bypass prethreading instructions you will only make your cabinet-chassis assembly more difficult.

To prethread a hole, insert specified screw in the hole and position it as straight as possible. While holding the screw in this position, drive it into the metal with the proper screwdriver. If started straight the screw will continue to go straight into the metal so that the head and sheet metal surfaces are in full contact.

5. The diameter of the shank (threaded portion) of a screw increases in relation to its number. For example, a 6-32 screw is larger in diameter than a 4-40 screw. Also, a #8 lockwasher is larger than a #4 lockwasher.

6.4 REQUIRED TOOLS, EQUIPMENT AND MATERIALS

The following tools, equipment and materials are recommended for assembling the Sol cabinet-chassis. (Unless indicated otherwise, none of the following items are supplied with your kit.)

1. Needle nose pliers
2. Diagonal cutters
3. Screwdriver, thin 1/4" blade
4. Screwdriver, #2 Phillips
5. Controlled heat soldering iron, 25 watt
6. Ohmmeter
7. Masking tape
8. Transparent tape
9. Rubber mallet or small hammer

6.5 ORIENTATION

6.5.1 Sol Backplane Board, Sol-BPB

When the side without the solder mask (no green lacquer) is facing you, the PC board identification (Sol-BPB) and revision level will be located in the upper left-hand corner of the board when the edge connector (gold contacts) is positioned at the bottom of the board. In this position, the component (front) side of the board (no solder mask) is facing up. Subsequent position references related to the Sol-BPB assume this orientation.

6.5.2 Sol Cabinet-Chassis

Unless specified otherwise, all position references (e.g., left, right, front, back, bottom and top) in the cabinet-chassis assembly instructions assume the Sol cabinet is viewed from the front (keyboard) when it is sitting in its normal position (keyboard up).

6.6 ASSEMBLY-TEST

6.6.1 Backplane Board (Sol-BPB) Assembly

Refer to Detail B on Drawing X-8 in Section X.

PROCESSOR TECHNOLOGY CORPORATION

Sol CABINET-CHASSIS

SECTION VI

- () Step 1. Visually inspect Sol-BPB PC board for obvious flaws such as solder bridges (shorts) between traces, broken traces and similar defects.

If visual inspection reveals any defects, return the board to Processor Technology for replacement. If the board passes inspection, go on to Step 2.

- () Step 2. Install 100-pin edge connector (Item 5 on Drawing X-8) on top edge of PC board. (This edge has silver (not gold) contacts.)

NOTE

This connector is supplied as a trouble-shooting aid. It is not critical to normal operation of the Sol-20.

Position connector on PC board so that its #1 trace is aligned with the #1 trace on the board, and push connector fully onto board. Bend the connector pins slightly so that both rows of pins are in light contact with the traces on the board. DO NOT CLOSE CONNECTOR PINS SO MUCH THAT YOU WILL DAMAGE THE TRACES WHEN PLACING THE CONNECTOR OVER THE EDGE OF THE BOARD. While holding the connector and board together, place board solder side down on a book, or other flat surface that is higher than your work surface, so the connector extends fully over the edge. That is, the connector should not rest on the book. Reposition connector if needed to align the pins and traces. On the component (front) side of board, solder a pair of traces. On the component (front) side of board, solder a pair of pins at each end of the connector to their respective traces on the board. Then solder the remaining 46 pins on the component side to traces.

The connector must be perpendicular to the edge of the board. If it is not, bend the pins you just soldered to obtain the required alignment. Then solder the other 50 pins to the traces.

- () Step 3. Install the other five 100-pin edge connectors. Position connector on front side of board (the side without the green solder mask) and insert pins. On solder (back) side of board (the side with the green solder mask), solder pins at opposite corners of the connector to hold it in place while making sure the entire connector is seated firmly. Then solder the remaining 98 pins.
- () Step 4. First check that wire color code in Sol backplane cable assembly (3" 5-wire cable) conforms with that given below and in Figure 2-7 on Page II-21 in Section II. Then connect cable to circuit board to upper-most pads in top right corner: Insert wires from solder (back) side of board (green

PROCESSOR TECHNOLOGY CORPORATION

S01 CABINET-CHASSIS

SECTION VI

solder mask side) and solder on component (front) side of board. If a wire is too large for the mounting hole, snip off as many individual strands as needed to obtain a fit. Connect cable leads as follows:

<u>CABLE LEAD</u>	<u>PAD</u>
White	Ground (fifth hole from right)
White	Ground (fourth hole from right)
Blue	+8 V dc (third hole from right)
Red-White	+16 V dc (second hole from right)
Yellow-White	-16 V dc (first hole from right)

NOTE

Pad orientations given above are as viewed from component (front) side of circuit board, the side without the green solder mask.

- () Step 5. Fill feedthrough holes on right-hand side of board with solder. Fill only those that are exposed (not covered with green lacquer) on the solder mask (back) side. Fill these holes from the solder mask side so that no solder protrudes above the back of the board.
- () Step 6. Check +8-volt, +16-volt and -16-volt buses to insure they are not shorted to each other or to ground. Using an ohmmeter, make the following measurements on one of the edge connectors:
 - () +8-volt Bus Test. Measure between pins 1 or 51 and 50 or 100. There should be no continuity (meter reads close to "infinity" ohms).
 - () +16-volt Bus Test. Measure between pins 2 and 50 or 100. There should be no continuity.
 - () -16-volt Bus Test. Measure between pins 52 and 50 or 100. There should be no continuity.
 - () 8/16/(-16) Volt Bus Test. Measure between pins 1 or 51 and 2, between pins 1 or 51 and 52, and between pins 2 and 52. There should be no continuity in any of the three measurements.

If you measure continuity (indication of a short) in any of the preceding tests, check your work for solder bridges.

If you measure no continuity in any of the tests, you have completed the backplane board assembly. Set it to one side for later installation in the cabinet-chassis.

NOTE

Since the Sol right and left side panels are now supplied as pre-assembled units, Steps 7 through 12 have been eliminated.

6.6.2 Sol Assembly

Refer to Drawings X-8 through X-10 in Section X. Figure 6-3 and 6-4 show complete Sol assemblies without covers.

- () Step 13. Mount keyboard support bracket (heavy gauge right angle brackets) to each side of the main chassis as shown in Drawing X-9. These are mounted with the narrower side of the bracket at the top.

Attach each bracket to main chassis with two 6-32 x $\frac{1}{2}$ binder or pan head screws and #6 lockwashers. Place lockwasher on screw, insert screw from outer surface of main chassis side wall and drive into the threaded bracket mounting holes.

- () Step 14. Attach power supply subchassis bracket (short leg "T" shaped bracket) to top front of power supply subchassis as shown in Drawing X-9. (Note that leg of "T" is closer to side wall of subchassis. This leg is for mounting a "power on" indicator light--not supplied.) Insert #6 x $\frac{1}{4}$ sheet metal screw from right side of side wall and drive into bracket.
- () Step 15. To gain access to the rear area of the power supply subchassis side wall, remove the #6 x $\frac{5}{16}$ sheet metal screw that attaches the fan closure plate to the subchassis. You should not have to disconnect the transformer (black wires) or AC receptacle ground (green wire) leads since they have sufficient slack to permit moving the closure plate out of the way. (Set screw to one side for use in re-installing the fan closure plate.)

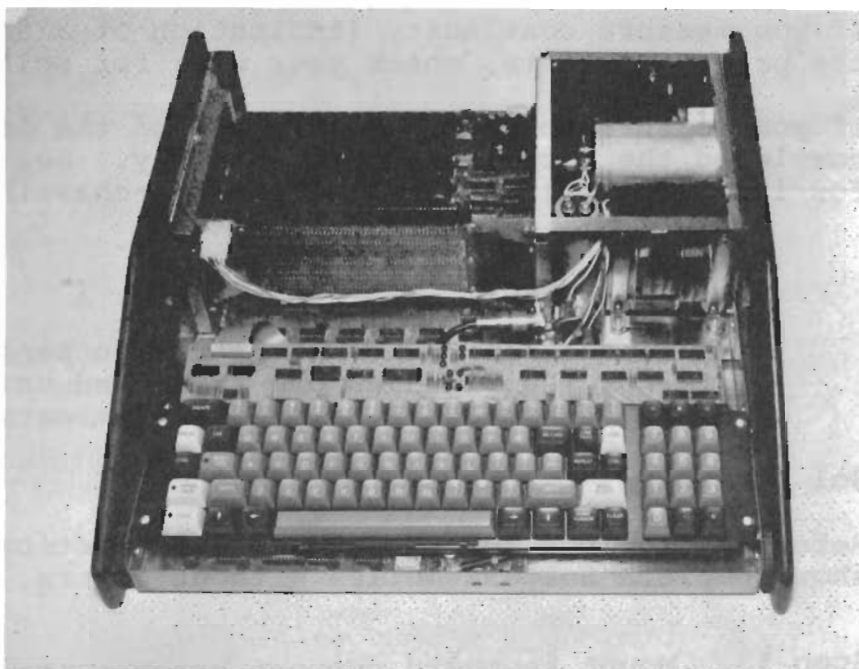


Figure 6-3. Sol-20 with covers removed. Front (or keyboard) is in foreground, power supply is in right rear corner, expansion chassis (with 8KRA Memory installed) is to left of power supply. The vertical board just behind white connector on left is the backplane board.

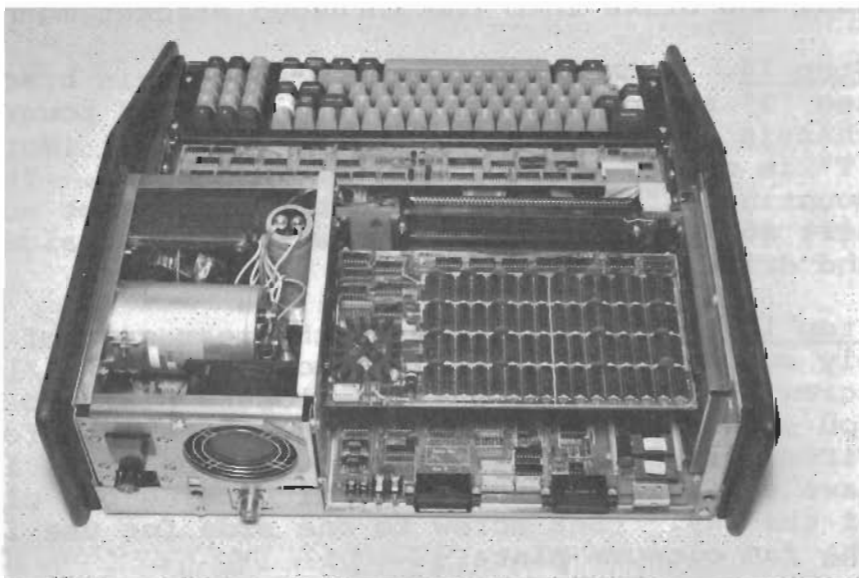


Figure 6-4. Sol-20 with covers removed. Rear side of assembly is in foreground and Sol-PC is just visible at lower right rear of assembly. 8KRA Memory is installed in expansion chassis above Sol-PC.

PROCESSOR TECHNOLOGY CORPORATION

Sol CABINET-CHASSIS

SECTION VI

- () Step 16. Install power supply subchassis in main chassis as shown in Drawing X-9.

Place subchassis over the right rear corner of main chassis and lower it almost vertically into position. Attach subchassis to main chassis using seven #6 x 1/4 and one #6 x 5/16 sheet metal screws and five #6 flat washers. Five #6 x 1/4 screws, fitted with #6 flat washers, are driven through the bottom of the main chassis into the subchassis. The #6 x 5/16 screw is driven through the rear hole in the right side of the main chassis into the subchassis. The remaining #6 x 1/4 screws are driven through the main chassis into the subchassis.

- () Step 17. Place right side walnut-masonite assembly in proper position against right side of main chassis and outline the finger well on the chassis. Remove backing from one black finger well label and affix it to the right side of main chassis. Position label to cover the finger well outline you made. Be sure label extends beyond all edges of the outline.
- () Step 18. Using five 10-24 x 3/8 binder or pan head screws, attach right side assembly to main chassis and power supply subchassis as shown in Drawing X-9. Insert screws from inside surface of chassis and drive into the plastic inserts. Note that the two front screws are driven through the main chassis, the two lower rear screws are driven through both the power supply subchassis and main chassis, and the upper rear screw is driven through the power supply subchassis.
- () Step 19. Assemble expansion chassis ("U" shaped chassis).
 - () Prethread 12 mounting holes (six on each side) on expansion chassis side walls for backplane brackets with #6 x 1/4 sheet metal screws. Three of these holes on each side are located near the front edge of the main chassis. The remaining three holes on each side are about 1-1/2 to 2 inches behind the front three. Leave screws installed.
 - () Install female coaxial connector on the tab that extends out from the lower right front of the expansion chassis. Insert connector through tab so threaded end faces left as shown in Drawing X-9. Insert three 4-40 x 5/16 binder or pan head screws from left side of tab through the two front and lower rear mounting holes. Place #4 lockwasher on each and secure with 4-40 hex nuts. Insert another 4-40 x 5/16 binder or pan head screw through upper rear mounting hole and install 4-40 hex nut. (Leave this nut loose.)
 - () See Details C and L on Drawing X-8. Install 10 plastic card guides (five on each side) on inside surface of both side walls of the expansion chassis.

PROCESSOR TECHNOLOGY CORPORATION

Sol CABINET-CHASSIS

SECTION VI

These are installed over the ventilation cutout with the gripper fingers pointing towards the backplane board. To install, simply insert posts on guide into appropriate mounting holes and push in until they snap into place.

- () Step 20. Install expansion chassis on main chassis as shown in Drawing X-9.

Position expansion chassis with coaxial connector at the front (near FWB3 on power supply subchassis) over left rear area of main chassis and lower into place. Attach expansion chassis to main chassis using nine #6 x 1/4 sheet metal screws and five #6 flat washers. Five screws, fitted with #6 flat washers, are driven through the bottom of the main chassis into the expansion chassis, three are driven through the left side of the main chassis into the expansion chassis, and one is driven through the lower left corner of the back side of the main chassis into the expansion chassis.

- () Step 21. Attach left end of power supply subchassis bracket to expansion chassis as shown in Drawing X-9. Drive one 6 x 1/4 sheet metal screw through expansion chassis into bracket.
- () Step 22. Route coaxial cable from connector on fan closure plate along left side of power supply subchassis to connector on expansion chassis.
- () Step 23. Using the #6 x 1/4 sheet metal screw you removed in Step 15, re-attach fan closure plate to power supply subchassis. (Make sure side lip on plate is on right side of expansion chassis side wall.
- () See Drawing X-9. Attach fan closure plate to expansion chassis with two #6 x 1/4 sheet metal screws. Drive screws through expansion chassis into fan closure plate.

NOTE

If lip on fan closure plate and expansion chassis are not in contact, insert one or two 1/2" flat washers as needed between the two surfaces. Place washers so screws pass through them.

- () Step 25. Connect free end of coaxial cable from connector on fan closure plate to connector on expansion chassis. Solder inner conductor to pin of connector. Remove hex nut on upper rear connector mounting screw, place lug (coaxial shield) and #4 lockwasher on screw, in that order, and secure with nut.

- () Step 26. Install male coaxial connector on free end of coaxial cable that is connected to Sol-PC (the composite video output cable). Install connector as follows (refer to Figure 6-5):

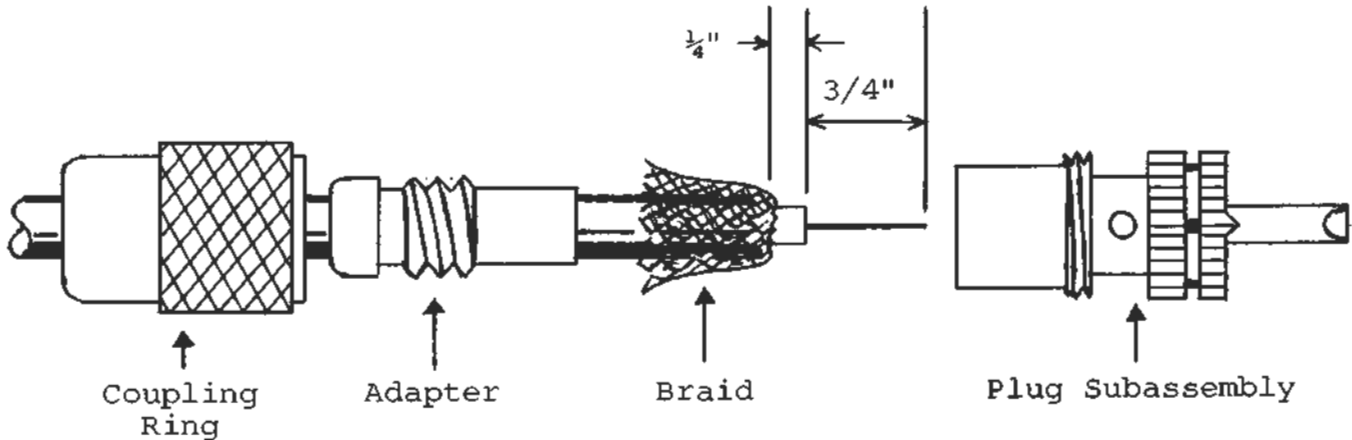


Figure 6-5. Sol-PC coaxial cable connector assembly.

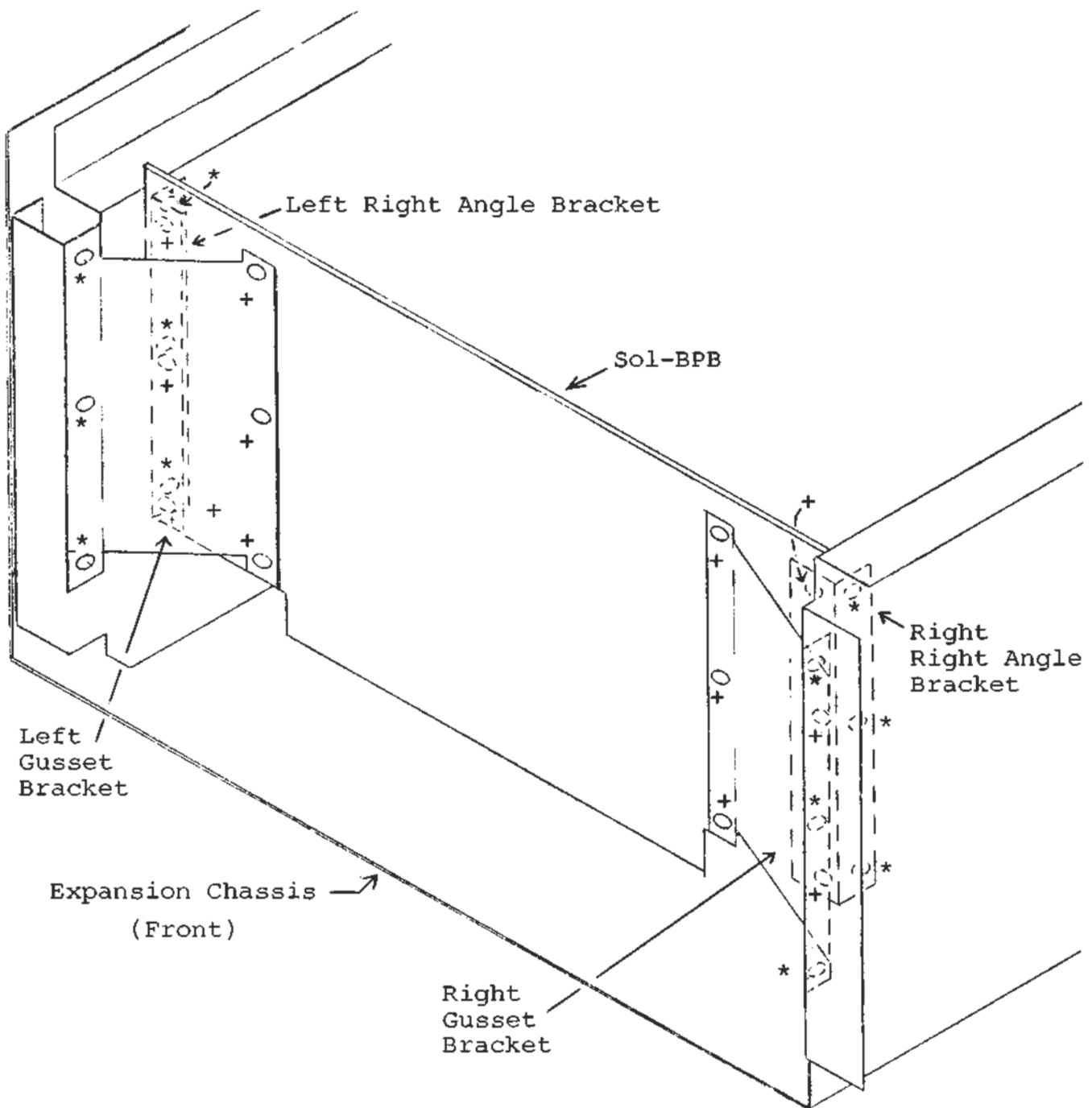
- () Slide coupling ring and adapter on cable in that order and cut end of cable even.
- () Remove one inch of outer insulation.
- () Fan braid slightly and fold back over outer insulation as shown.
- () Slide adapter fully up under braid and press braid down over adapter body.
- () Trim braid so that it does not interfere with adapter threads.
- () Remove 3/4" of inner conductor insulation and tin exposed conductor.
- () Slide cable fully into plug subassembly and screw subassembly on adapter.
- () Solder braid to plug subassembly shell through solder holes. (Use enough heat to create a good bond between braid and shell.)
- () Solder center conductor to plug contact by filling contact with solder. Cut off excess conductor.
- () Slide coupling ring over plug subassembly and screw it onto plug.

- () Step 27. Install Sol-PC in expansion chassis.

Position Sol-PC on bottom of expansion chassis with J1, J2 and J6 through J9 at the rear. Align threaded standoffs on bottom of Sol-PC with the oblong holes in the bottom of the main chassis.

Attach Sol-PC board to chassis with two 4-40 x 3/16 and six 4-40 x 5/16 binder or pan head screws, eight #6 flat washers and eight #4 spring lockwashers as shown in Detail F on Drawing X-8 in Section X. (Note that the two shorter screws attach to the same standoffs to which S100 connector, J11, is attached.) Place lockwasher and flat washer on screw in that order and drive screw loosely into standoff from bottom of main chassis. Leave all eight screws loose.

- () Step 28. Connect Sol-PC composite video output cable to expansion chassis coaxial connector.
- () Step 29. Affix black finger well label to left side of main chassis in same manner as you did the right side. (See Step 17.) MAKE SURE LABEL DOES NOT OBSTRUCT COOLING CUTOUT.
- () Step 30. Using three 10-24 x 3/8 and two 10-24 x 1 binder or pan head screws, attach left side assembly to main chassis as shown in Drawing X-9. Insert screws from inside surface of chassis and drive into plastic inserts. Note that the two front screws (10-24 x 3/8) are driven through the main chassis, the uppermost screw (10-24 x 3/8) is driven through the expansion chassis, and the two lower rear screws (10-24 x 1) are driven through both the expansion chassis and main chassis.
- () Step 31. Install left and right backplane right angle brackets (light gauge brackets) on expansion chassis side walls. Refer to Figure 6-6 on Page VI-15.) These two brackets are installed just to the front of the card guides and should be positioned as shown in Figure 6-6. Attach each bracket to the chassis with three #6 x 1/4 sheet metal screws. USE THE SCREWS YOU USED IN STEP 19 TO PRETHREAD THE HOLES.
- () Step 32. See Detail B on Drawing X-8. Install backplane circuit board (Sol-BPB). The photograph in Figure 6-7 on Page VI-16 shows the backplane board installed.
- () Position Sol-BPB with 100-pin male edge connector down and the five female edge connectors facing the card guides. The board should rest against the front face of the right angle brackets as shown in Figure 6-6. Adjust position of Sol-PC as needed so that you can plug the Sol-BPB edge connector into J11 on the Sol-PC.
- () Align holes on left and right ends of Sol-BPB with those in right angle brackets.
- (Step 32 continued on Page VI-16.)



* #6 x $\frac{1}{4}$ sheet metal screw

+ 4-40 x $\frac{5}{8}$ binder or pan head screw,
#4 lockwasher and 4-40 hex nut

Figure 6-6. Backplane board (Sol-BPB) installation.

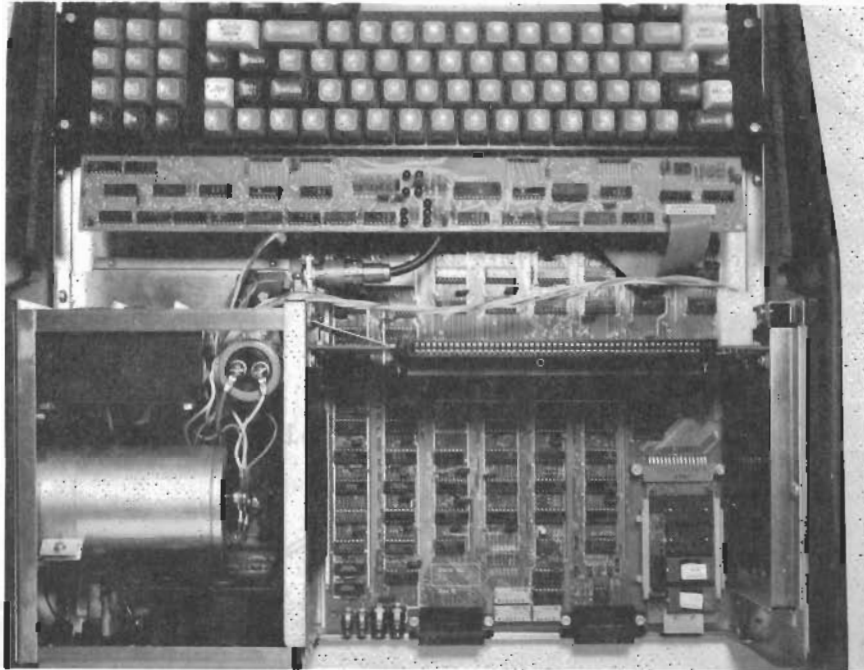


Figure 6-7. Backplane board (Sol-BPB) installation. Rear of Sol is at bottom and Sol-BPB is to right of power supply subchassis in line with C8 and transformer.

(Step 32 continued)

- () See Detail E on Drawing X-8. Attach Sol-BPB to brackets with three 4-40 x 5/16 binder or pan head screws, #4 lockwashers and 4-40 hex nuts on each side. Insert screws from the back side of bracket through Sol-BPB, place lockwasher on each screw and secure each with nut.
- () Step 33. Install left and right gusset brackets as shown in Figure 6-6 on Page VI-15.
 - () Fit narrower gusset bracket on left side so that its flanges are flat against the expansion chassis side wall and the backplane board. (You may have to bend the flange slightly to obtain a proper fit.)
 - () Attach bracket to expansion chassis side wall with the three #6 x $\frac{1}{4}$ sheet metal screws you used in Step 19 to prethread the holes.

****See WARNING on Page VI-17.****

(Step 33 continued on Page VI-17.)

(Step 33 continued.)

WARNING

IT IS QUITE EASY TO SCRATCH OR CUT YOUR HAND ON THE SOLDER SIDE OF THE BACKPLANE BOARD WHEN DRIVING THESE SCREWS. PLACE A SUITABLE PROTECTIVE BARRIER, SUCH AS CARDBOARD, AGAINST SOLDER SIDE OF BACKPLANE BOARD DURING INSTALLATION TO PREVENT SUCH INJURY.

- () See Detail E on Drawing X-8. Attach bracket to backplane board with three 4-40 x 5/8 binder or pan head screws, #4 lockwashers and 4-40 hex nuts. Insert screws from front side of bracket through Sol-BPB, place lockwasher on each screw and secure each with nut.
- () Install wider gusset bracket on right side in the same manner as you did the left bracket. THE PRECEDING WARNING ALSO APPLIES TO INSTALLING THIS BRACKET.
- () Step 34. Connect Sol-20 DC power cable from power supply subchassis to the Sol-BPB power cable you installed in Step 4.
- () Step 35. Check that Sol-PC is in optimum position and tighten the eight screws holding the Sol-PC to the expansion-main chassis assembly. (See Step 27.)
- () Step 36. Connect Sol-PC power cable (4-wire) to J10 on Sol-PC. CAUTION: Make sure cable connector mates exactly with J10.
- () Step 37. See Drawing X-10. Position keyboard (Sok-KBD) near its mounting brackets and connect 20-conductor ribbon cable supplied with Sol keyboard between J1 on keyboard and J3 on Sol-PC. With the cable connected properly, the cable will run away from the keys from J1 on the keyboard, and towards the keys from J3 on Sol-PC.
- () Step 38. See Drawing X-10. Attach keyboard to keyboard brackets with two 6-32 x 1/2 binder or pan head screws and #6 lockwashers on each side. Place washer on each screw and drive screws loosely into threaded holes in brackets.

PROCESSOR TECHNOLOGY CORPORATION

Sol CABINET-CHASSIS

SECTION VI

- () Step 39. See Drawing X-10. Remove protective cover from one side of Plexiglass strip and attach "Sol Terminal Computer" trim plate to Plexiglass with small pieces of transparent tape. Place trim plate with printed side against Plexiglass.
- () Step 40. See Drawing X-10. Remove protective cover from other side of Plexiglass and slide it into the channel above the keyboard cutout.

NOTE

A hole is provided in the sheet metal behind the trim plate. This may be used for a "power on" indicator light if desired.

- () Step 41. Refer to Drawing X-10. Install keyboard cover. Hook front of cover under front edge of main chassis and lower it over the keyboard. (A slight adjustment of the keyboard position may be needed to obtain a proper fit.)

Position keyboard within cutout in cover if needed and tighten keyboard mounting screws.

- () Step 42. Install top cover.
 - () Be sure power cord is not plugged into 110 V ac outlet and disconnect cord from fan closure plate receptacle.
 - () Remove fuse holder cap and fuse.

CAUTION

NEVER REMOVE OR INSTALL FUSE WITH POWER ON.

- () See Drawing X-10. Hook top cover over back edge of keyboard cover and lower it down into place over the rear of the main chassis. Install the two thumb screws (one at the lower left corner and the other to the right of the fan closure plate coaxial connector) to attach cover to rear of main chassis.
- () Step 43. Re-install fuse and plug power cord into receptacle. BE SURE POWER CORD IS NOT PLUGGED INTO 110 V ac OUTLET.

See CAUTION on Page VI-19.

(Step 43 continued.)

CAUTION

NEVER REMOVE OR INSTALL FUSE WITH POWER ON.

- () Step 44. Remove backing from connector identification label and affix it to rear of top cover. Position label just above Sol-PC connector opening in cover so that "J9" is aligned with left-most (as viewed from rear of Sol) subminiature phone jack and "J1" is aligned with right-most 25-pin female connector.
- () Step 45. See Detail A on Drawing X-8. Remove backing from serial number label and affix it to rear of top cover. Position label to right (as viewed from rear of Sol) of fan opening in cover.
- () Step 46. Affix self-stick protective pads to bottom of Sol as shown in Figure 6-8.

You have now completed assembly of your Sol Terminal ComputerTM. It is ready for use as a stand-alone computer or CRT terminal. Congratulations on a job well done. Proceed now to Section VII to test and learn to operate your Sol.

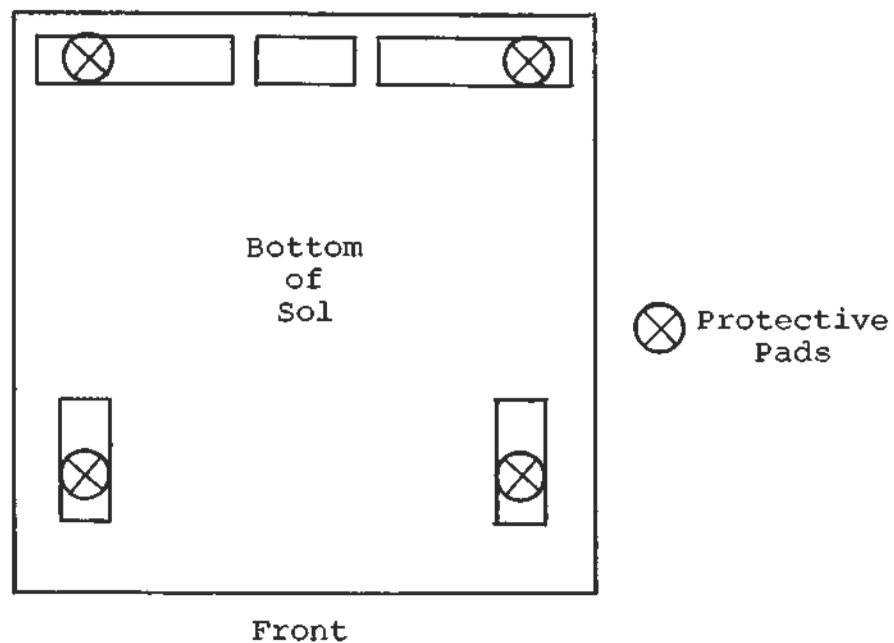


Figure 6-8. Protective foot pad installation.

7.1 INTRODUCTION

Information in this section will help you to become familiar with the operation of your Sol Terminal ComputerTM. Following brief explanations of the operating controls and the two basic operating modes, you will put your Sol through some simple operations. This should sufficiently acquaint you with the keyboard and control switches so that you will feel at ease with your Sol. In addition, you will have performed functional tests of all Sol sections except the parallel data interface.

Detailed descriptions of the control switches are also provided to allow you to gain greater proficiency in their use. For the same reason, individual keyboard key descriptions are also given. They are intended to be used along with the BASIC/5 and SOLOS Users' Manuals (or if applicable the CONSOL description in Section IX of this manual).

The balance of this section supplies instructions for 1) connecting typical peripheral devices to the serial and parallel data interfaces (J1 and J2), 2) using audio cassette recorders, and 3) changing the fuse.

7.2 THE OPERATING CONTROLS

Sol operating controls are identified and their functions briefly defined in Table 7-1 on Page VII-2. Unless noted otherwise, the location of each control is shown on the Sol-PC assembly drawing in Section X, Page X-3.

7.3 BASIC OPERATING MODES

7.3.1 Command Mode

In this mode Sol operates as a stand alone computer under control of the program (software) contained in the personality module and additional software that is stored in the Sol, stored either in a read only memory (ROM) that is plugged into the computer or the Sol random access memory (RAM). (For a description of the CONSOL and SOLOS Personality Modules, refer to Section IX in this manual and the SOLOS Users' Manual respectively.)

With the SOLOS Personality Module installed, the computer is in the command mode when power is applied to the Sol. Command mode is a sort of "home base" from which excursions may be made into other programs. An analysis of three levels of programs will make the concept of command mode more understandable.

At the lowest level of software are the instructions which the 8080 CPU (central processing unit), the brains of the computer,

Table 7-1. Sol Operating Controls and Their Functions.

CONTROL	FUNCTION
ON-OFF Switch (See Figure 7-1)	Connects and disconnects primary power to Sol.
RST (Restart) Switch, S1-1	Permits manual restart of Sol without turning power off. (Useful for test purposes.)
BLANK Switch, S1-3	Determines if control characters are displayed or not.
POLARITY Switch, S1-4	Selects normal (white characters on black background) or reverse video display.
BLINK-SOLID Switches, S1-5 & 6	Selects blinking, nonblinking or no cursor.
SSW0 - 7 S2-1 through 8	Permits direct data entry to processor.
BAUD RATE Switches, S3-1 through 8	Sets operating speed of serial data interface (SDI).
PS & PI Switches S4-1 & 5	Selects no parity, even parity or odd parity for SDI.
WLS-1 & 2 Switches, S4-2 & 3	Selects number of data bits in transmitted word for SDI.
SBS Switch, S4-4	Determines number of stop bits in transmitted word for SDI.
F/!H Switch, S4-6	Selects half or full duplex operation for SDI.
Keyboard (See Figure 7-4)	Data entry, mode selection, command input and cursor control.

can understand and run. All programs must ultimately be reduced to this basic level to be operated on by the computer. In the case of the 8080 microprocessor, the program is in an "object code" or "machine language", since the "machine" or 8080 CPU understands it. The SOLOS program contained in the personality module is stored in this machine language form, and the computer can therefore run directly from this program. Since the SOLOS program is contained in permanent ROM which is plugged directly into the computer, the SOLOS program is always available, and is automatically selected whenever the power switch of the Sol is turned on. There is also provision for returning at all times to the command mode of SOLOS. From the command mode other programs may be brought in for various operations or stored on cassette tape. The contents of the computer's memory may be displayed or changed. The command mode also performs "housekeeping" functions such as setting the rate at which data is read from tape, or the rate at which characters are displayed on the video monitor.

The command mode allows the introduction of the second level of software. This level includes higher-level language programs such as BASIC/5 or FOCAL in which complex application programs may be more easily written. These are called higher level languages because they permit the user to write programs in a form much closer to human languages such as English. However, programs written in these languages must be translated into the more basic machine language before they can be run. Besides higher level languages, this second level of software includes programs such as the TREK 80 and GAMEPAC video games and the ALS-8 program (a software package used for developing programs), all of which are offered by Processor Technology Corporation. Through the facilities of the command mode, these second level programs are transferred (loaded) into memory from cassette tape or other storage media, and then "executed" (used). These programs may also exist in ROM or EPROM (erasable programmable ROM) memory which is plugged into the computer to make them instantly available like the SOLOS program. All first and second level programs are stored in the computer as binary object code.

Let us illustrate the concept of the second level of programs with an example, BASIC/5. Using the "XEQ" command available in the SOLOS command mode, we load the BASIC/5 program into the computer's memory from cassette tape. With this command BASIC/5 is ready for use as soon as the tape has stopped moving. The control of the computer is now taken over by the BASIC/5 program now in memory, and SOLOS is no longer in command. All the features of BASIC/5 language are now available to us, with a new set of commands and rules. Since the CPU of the computer only understands the machine language of the first level of software, the BASIC/5 program must translate the commands and data we enter to this lower level. BASIC/5 does this as we go. While we are using BASIC/5, we still have access to some of the commands and features of SOLOS, although they may have a modified form while we are in BASIC/5. We will load and use BASIC/5 later in this section.

The third level of software consists of programs written using the higher order languages of the second level programs. A program written in BASIC/5 is on this third level. This program only makes sense to the computer while the computer has BASIC/5 in memory and control has been transferred to the BASIC/5 program. Third level programs written in any high level language are often called "applications programs" since they are usually written in order to fit a specific application need.

The ALS-8 Program Development System is another second level program. A program to be developed within ALS-8 would then be a third-level application program. The ALS-8 also includes an Assembler which takes a program written on the third level in "assembly" language, and translates it to object code which the computer can run. The object code version then resides in memory and can be run in another operation. For a further discussion, of types of software see the article "Your Personal Genie" in Appendix VIII of this manual.

7.3.2 Terminal Mode

Sol operates as a CRT terminal in this mode, capable of sending keyboard data to an output port and displaying data received at the serial input port on an external video monitor via the Sol video display circuitry. When Sol is "hard-wired" to another computer or connected to a modem, the terminal mode is used for data entry, data retrieval, inquiry/response and monitoring and control applications.

Capabilities in the terminal mode depend on the personality module used. Both CONSOL and SOLOS Personality Modules permit operation as a CRT terminal. CONSOL 1) initializes Sol in the terminal mode whenever you turn the power on or initiate a system reset, 2) sends keyboard data to the serial data interface (SDI) only, and 3) provides simple stand-alone computer capabilities. SOLOS, on the other hand, 1) enters the terminal mode when given the "TERM" (terminal) command, 2) sends keyboard data to any output port available with the "SET 0" (set out) command, and 3) duplicates CONSOL functions while providing additional capabilities.

7.4 GETTING ACQUAINTED WITH Sol

One of the best ways to get acquainted with your Sol is to use it. After connecting a cassette recorder and video monitor to your Sol, you will operate the system in the terminal mode to become familiar with the keyboard and the functions of the video display switches. You will then switch to the command mode and perform some of the basic computer operations.

7.4.1 Monitor and Cassette Recorder Connections

The basic Sol system consists of the Sol, a video monitor for display (e.g., the Processor Technology PT-872 TV-Video Monitor by Panasonic) and a cassette recorder for external storage (e.g., the Panasonic Model RQ-413S).

To connect these three system components, you will need the following cables:

Audio In & Out Cables -- two cables of shielded wire fitted with miniature phone plugs at both ends.

Motor 1 Cable -- one cable pair, such as speaker wire, fitted with subminiature phone plugs at both ends. (An identical cable for Motor 2 is needed if you use two recorders.)

Video Cable -- one RG59/U coaxial cable fitted with a PL259 UHF male connector on one end and a monitor-compatible connector on the other.

Connect the basic Sol system as follows (refer to Figure 7-1 on Page VII-6):

- () Step 1. Remove top and keyboard covers from Sol.
- () Step 2. Plug one end of Audio In Cable into Audio IN jack (J7) on Sol rear panel, and plug other end into MONITOR or EARPHONE jack on recorder.
- () Step 3. Plug one end of Audio Out Cable into Audio OUT jack (J6) on Sol rear panel, and plug other end into AUXILIARY or MICROPHONE jack on recorder. (The AUXILIARY input is preferred and recommended over the MICROPHONE input.)

NOTE

If your recorder has only a microphone jack, remove the I-to-J jumper installed in Step 69 in Section III and install a jumper between I and H.

- () Step 4. Plug one end of Motor I Cable into Motor I jack (J8) on Sol rear panel, and plug other end into REMOTE jack on recorder.
- () Step 5. Connect PL259 UHF connector on Video Cable to video output connector on Sol rear panel, and connect other end to video monitor input connector.
- () Step 6. Make sure monitor, recorder and Sol power switches are in their OFF position. Then connect AC power cord to AC receptacle on Sol rear panel and connect Sol, monitor and recorder to appropriate power source.

7.4.2 Terminal Mode Operation

The following procedure assumes your Sol is equipped with a SOLOS personality module.

- () Step 7. Set Sol control switches as follows (see Figure 7-2 on Page VII-7):
 - RST Switch (S1-1): OFF
 - S1-2 (spare): OFF
 - BLANK Switch (S1-3): OFF (display control characters)
 - POLARITY Switch (S1-4): OFF (reverse video display)
 - BLINK Switch (S1-5): OFF (solid cursor)
 - SOLID Switch (S1-6): ON (solid cursor)
 (Step 7 continued on Page VII-7.)

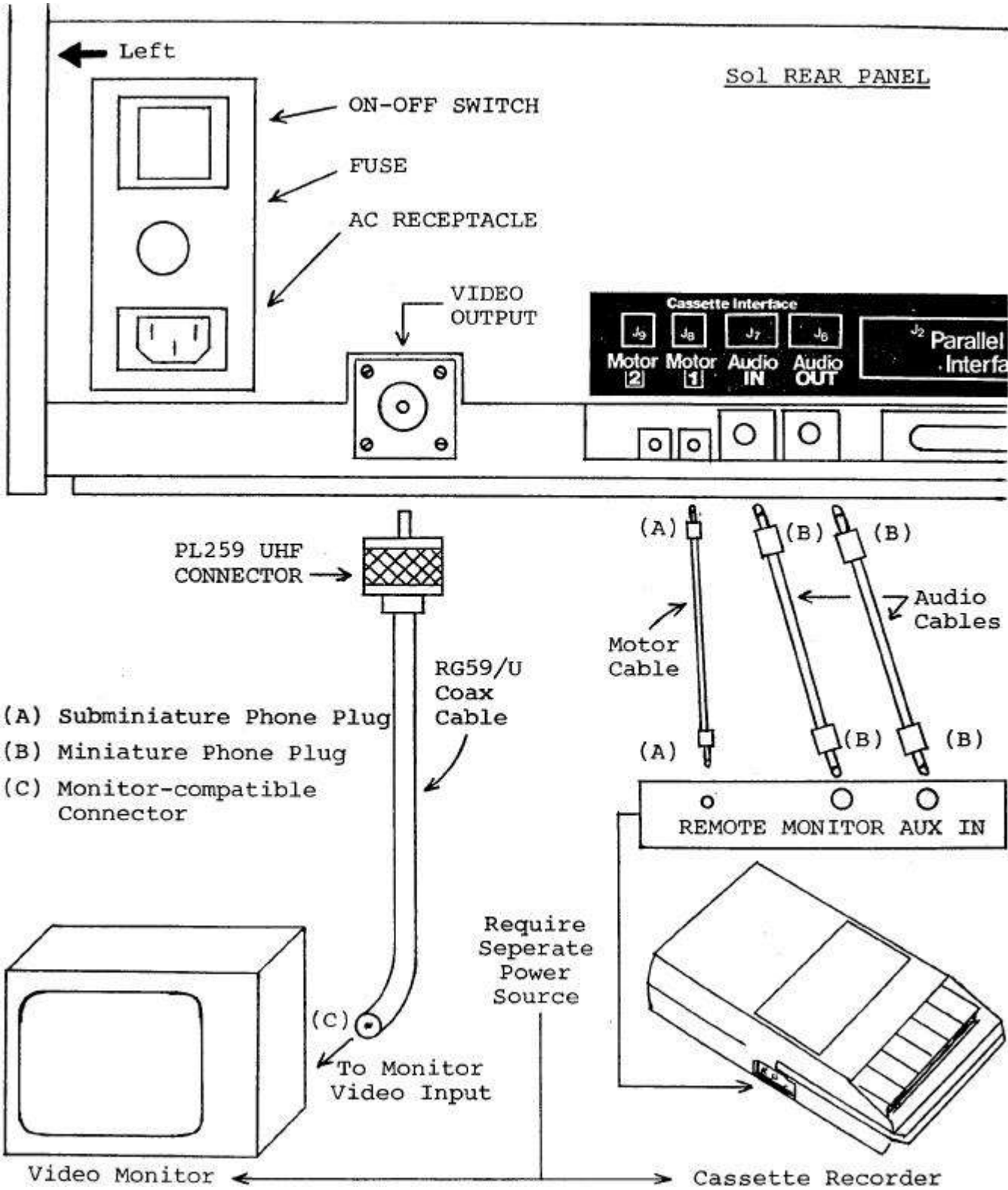


Figure 7-1. Connecting the basic Sol system

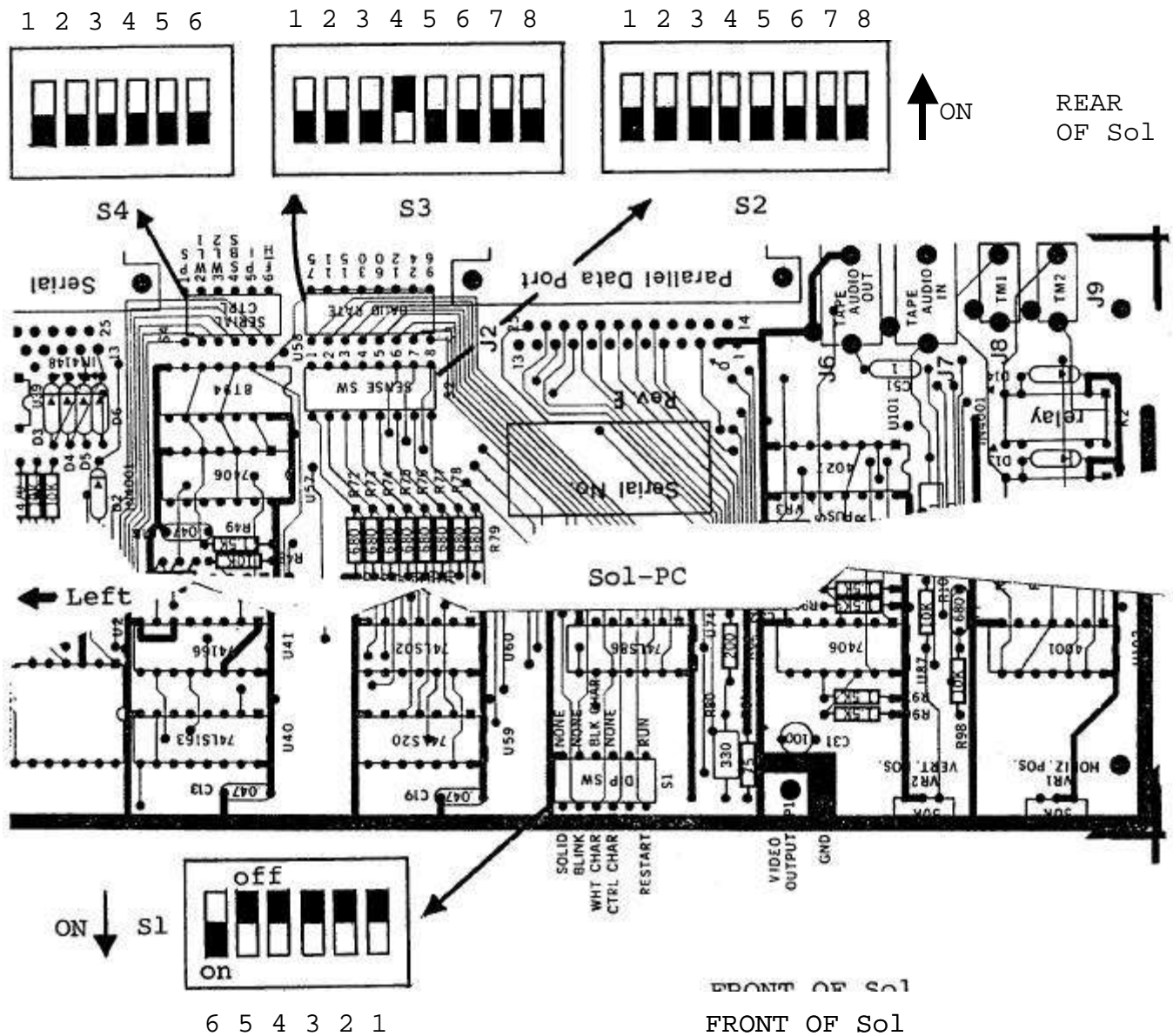


Figure 7-2. Sol control switch settings for terminal mode.

(Step 7 continued.)

SSW Switches (S2-1 - 8): OFF

BAUD RATE Switches (S3-1 - 8): S3-4 ON, all others OFF
(300 Baud)

SDI Switches (S4-1 - 6): OFF (selects full duplex operation,
8 data bits, 2 stop bits and no parity)

- () Step 8. Turn Sol and monitor on.
- () Step 9. If the monitor display raster is out of sync (black horizontal bar moves slowly down screen, numerous black lines cut across raster, or both), adjust monitor vertical and horizontal hold controls for a stable raster.
- () Step 10. You should see a prompt character followed by the cursor (>■) in the upper left corner of the screen. If you don't, adjust VRI and VR2 (see Figure 7-3) to move the prompt character and cursor onto the screen. (With CONSOL, only the cursor will appear on the screen.)

NOTE

Use VRI (horizontal position) and VR2 (vertical position) to center the display page (16 lines, 64 characters/line) on the screen.

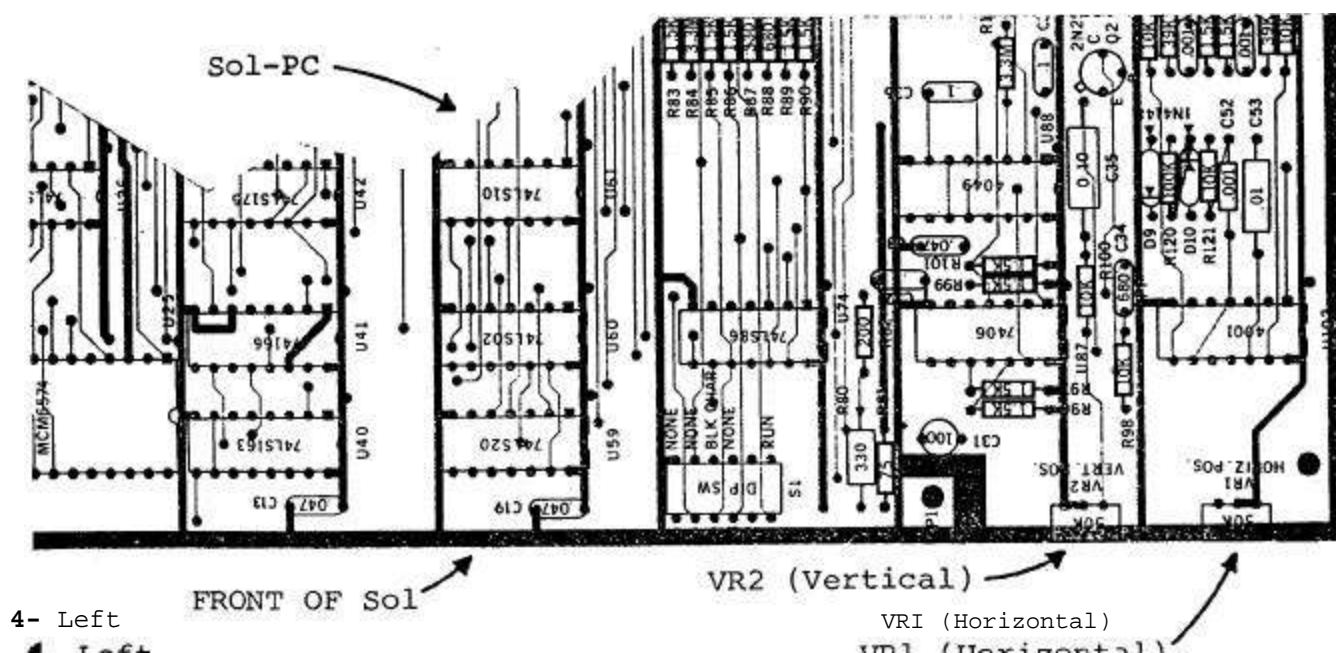


Figure 7-3. Location of positioning adjustments, VRI and VR2.

- () Step II. Enter terminal mode by 1) pressing UPPER CASE key to turn the indicator light on (Alphabetic characters are now entered as upper case, regardless of SHIFT key status, but dual character keys do respond to SHIFT key.), 2) typing TERM and 3) pressing RETURN key. (If your Sol is equipped with CONSOL, it entered terminal mode when you turned the Sol on.) "TERM" will appear on the screen as you type, and the cursor will disappear when you press the RETURN key.

NOTE: All commands must be given in upper case characters in order to be recognized, and the RETURN key must be pressed after a command so that SOLOS can execute the command (MODE SELECT excepted).

- () Step 12. Set for local operation by pressing LOCAL key to turn indicator light on. Set for lower case operation by pressing UPPER CASE again (indicator light out).
- () Step 13. Press each of the alphanumeric, punctuation and symbol keys. As each is pressed, the lower case character in the UNSHIFTED column of Table 7-4 should appear on the screen. Read Section 7.7 on page VII-17 to become familiar with Table 7-4.

NOTE: If the MODE SELECT key is pressed, SOLOS will return to the command mode and display a prompt character followed by the cursor. In this case return to terminal mode by typing "TERM" in upper case letters, followed by a carriage return.

- () Step 14. Press SHIFT LOCK key to return keyboard to shifted operation (indicator light will go out) and repeat Step 13. Each corresponding upper case character should appear from the SHIFTED column of Table 7-4.
- () Step 15. Use the control sequences given in Table 7-4 on Page VII-18 to generate the indicated control characters. Control characters are generated by pressing the CTRL (control) key and, while holding it depressed, pressing the desired key given in the first column of the table. As the table shows in the last two columns, the symbol generated by a control sequence depends on whether a 6574 or 6575 character generator (U25) is installed in your Sol. Two examples follow:

<u>CONTROL SEQUENCE</u>	<u>6574 SYMBOL</u>	<u>6575 SYMBOL</u>
CTRL and I	→	H _T
CTRL and 5 or %	⊗	E _Q

- () Step 16. Change video display polarity by setting POLARITY Switch (SI-4) to ON and observe the effect on the display. It should change from black characters on a white background to white characters on a black background.
- () Step 17. Switch from non-blinking cursor to a blinking cursor by setting SOLID Switch (SI-6) to OFF and BLINK Switch (SI-5) to ON in that order. You should see a rectangular solid cursor that blinks on and off approximately two times per second. Never put SI-5 and SI-6 ON at the same time.
- () Step 18. Blank control characters by setting BLANK Switch (SI-3) to ON. Any control characters generated (refer to Step should not appear on the screen.

Up to this point, keyboard data has been processed by the CPU, transmitted out through the serial channel output, looped back

to the serial channel input and then displayed on the video monitor. You have consequently just "tested" the CPU, serial channel and display section functions in your Sol.

7.4.3 Command Mode Operation

The following operations assume your Sol is equipped with a SOLOS personality module.

Using the Cassette Recorder. The following procedure for loading a program from cassette tape into Sol memory provides a good example of how to use an audio cassette recorder with Sol. In this example you will use the BASIC/5 cassette supplied with your Sol.

- () Step 19. Set POLARITY (S1-4) and BLANK (S1-3) Switches as desired.
- () Step 20. Replace top and keyboard covers.
- () Step 21. Load BASIC/5 cassette in recorder. If required, fully rewind tape. (This can be done by disconnecting the REMOTE plug from the recorder and using the REWIND control on the recorder.) After rewinding, reconnect REMOTE plug.
- () Step 22. Set the following recorder controls and indicator, if so equipped, as indicated:

Transport: press STOP control

Volume: midrange

Tone: top of range (maximum treble)

Tape Counter: 0

- () Step 23. Press PLAY control on recorder. The tape should not move. If it does, there is a malfunction in the remote control circuitry or cabling. (With the Sol off, there should be no continuity between the REMOTE plug contacts.)

NOTE

The tape head must be clean to reliably read a tape or write on tape.

- () Step 24. If needed, press MODE SELECT key on Sol to enter command mode. (Remember SOLOS initializes in the command mode while CONSOL initializes in the terminal mode whenever Sol is turned on.) You should see a prompt character followed by the cursor (>■) on the left of the screen.

- () Step 25. Type the XEQ command as follows:

XEQ BASIC

- () Step 26. Press the RETURN key on Sol. The cursor should disappear and the tape should advance. The display should not change otherwise. NOTE: With certain cassette recorders or cassettes there may be a misreading of the tape when the splice joining the leader to the tape passes the tape head. In this case an ERROR message will appear and the tape will stop. To resume tape "loading", retype the XEQ BASIC command. If further difficulty is encountered, try different cassette recorder volume settings until a reliable setting is found.
- () Step 27. If the tape has loaded successfully, in approximately two minutes BASIC/5 will display five lines of text ending with:

SOL BASIC 5

READY

- () Step 28. BASIC/5 is now ready for use. Refer to your BASIC/5 User's Manual. Become familiar with both BASIC/5 and the Sol keyboard. Try some exercises in BASIC/5.

Dump Operation. The dump operation displays memory data in hexadecimal on the video monitor. It can also be used with the appropriate SET command to output memory data to a hard-copy device (e.g., a printer). As an example, dump the first part of the SOLOS personality module (C000 through C0E0) as follows:

- () Step 29. Set UPPER CASE key so that the indicator is on. If you are still in BASIC/5, type the BASIC/5 command "BYE" at the beginning of a command line to re-enter SOLOS command mode. BASIC/5 remains in memory and may be returned to by typing a command line: "EXEC 0".
- () Step 30. Type the DUMP command as follows:

DUMP C000 C0E0

- () Step 31. Press RETURN key. Lines of 16 bytes of hexadecimal data will scroll (move) rapidly up the screen until the last address (C0E0) is displayed. At this point the display will stop scrolling.

Enter Operation. The enter operation is used to enter hexadecimal data from the keyboard into available Sol memory. As an example, enter 16 bytes of data, starting at address C900 and ending at address C90F, as follows:

- () Step 32. Type the ENTER command as follows:

ENTER C900

- () Step 33. Press RETURN key. The monitor should display a colon (:) prompt character at the start of the next line.

- () Step 34. Type the following data:

II 22 33 44 55 66 77 88 99 00 AA BB CC DD EE FF/

NOTE

The slash (/) terminates the enter function.

- () Step 35. If you made a mistake in typing the above line of data, refer to Paragraph 7.8.3 on Page VII-25. If you made no mistakes, press RETURN key.

The data entered in Step 34 now resides in locations C900 through C90F in the Sol memory.

- () Step 36. To verify that the data did indeed enter Sol memory, simply give your Sol this DUMP command:

DUMP C900 C90F

Then press RETURN key. The line of data you entered in Step 35 should be displayed on the monitor screen, preceded by the starting address.

- () Step 37. Using your SOLOS User's Manual, experiment with the other commands until you feel at home with your Sol.

The preceding command mode operations used the CPU, personality module, audio cassette interface (ACI) and the Sol RAM. You have consequently just tested the functions of these sections.

7.5 OPERATING CONTROLS IN DEPTH

Unless indicated otherwise, the location of the controls described in this paragraph are shown on the Sol-PC assembly drawing in Section X, Page X-3.

7.5.1 ON-OFF Switch (See Figure 7-1 on page VII-6.)

Push this switch in to turn your Sol on. In the ON position the switch remains locked in its "in" position. To turn your Sol off, push the switch again. This releases the locking mechanism, and the switch will return to its OFF ("out") position.

7.5.2 Restart (RST) Switch, S1-1

This switch permits you to restart your Sol without turning the power off. You should normally leave it in its OFF, or run, position. Set it to ON and then OFF to initialize the Sol circuitry and reset the CPU program counter to zero. (A manual restart with this switch performs the same function as turning the power on or pressing a keyboard generated restart: UPPER CASE key with REPEAT key.)

7.5.3 Control Character Blanking (BLANK) Switch, S1-3

Set this switch to its ON position if you do not want control characters (see Table 7-4 on Page VII-18) to be displayed on the screen. In the OFF position, control characters are displayed.

7.5.4 Video Display (POLARITY) Switch, S1-4

If you want a normal video display (white characters on a black background), set this switch to its ON position. In the OFF position, black characters will be displayed on a white background (reverse video display).

7.5.5 Cursor Selection (BLINK, SOLID) Switches, S1-5 & 6

CAUTION

DO NOT SET S1-5 AND S1-6 TO THEIR ON
POSITIONS AT THE SAME TIME. TO DO SO MAY
DAMAGE YOUR Sol.

If you want the cursor to blink, set S1-6 to OFF and S1-5 to ON. The cursor will blink on and off about two times per second.

Set S1-5 to OFF and S1-6 to ON if you want a non-blinking (solid) cursor.

With both S1-5 and S1-6 in their OFF positions, there will be no cursor display.

7.5.6 Sense (SSW0 - 7) Switches, S2-1 through S2-8

These eight switches are normally left in the OFF position. They are used to manually enter data into the CPU. (They serve the same function as the front panel sense switches on the Altair 8800 and IMSAI 8080.)

S2-1 is the least significant data bit (D100) and S2-8 is the most significant data bit (DIO7). To pull a DIO bit low (when the program tests SSW0 - 7), set the switch associated with the bit to ON. An open (OFF) switch pulls the associated DIO bit high when the program tests SSW0 - 7.

NOTE

The configuration of SSW0 - 7 is tested by the CPU only when it executes an input port FF instruction. Otherwise, the Sense Switches have no bearing on Sol operation.

7.5.7 Baud Rate Switches, S3-1 through S3-8

The setting of the Baud Rate Switches determines the operating speed of the Serial Data Interface (SDI). Assuming you have not installed any of the K, L and M jumper options, you can select any one of eight Baud rates. Table 7-2 on page VII-15 defines Baud rate as a function of S3-1 through S3-8.

CAUTION

DO NOT SET MORE THAN ONE S3 SWITCH TO THE ON POSITION AT THE SAME TIME. TO DO SO CAN DAMAGE YOUR Sol.

7.5.8 Parity (PS, PI) Switches, S4-1 & 5

With these two switches you can select no parity, parity, even parity or odd parity for data handled through the SDI (J1).

Set S4-5 (PI) to its ON position if you want a parity bit. When OFF, there will be no parity bit. (A stop bit immediately follows the data if no parity bit is selected.)

S4-1 (PS) selects even or odd parity if S4-5 is ON. It otherwise has no affect. For even parity, set S4-1 to ON. Set S4-1 OFF for odd parity.

7.5.9 Data Word Length (WLS-I & 2) Switches, S4-2 & 3

Use these two, switches to select the number of bits, excluding parity, in the transmitted word for the SDI. You have a choice of 5, 6, 7 or 8 bits. Table 7-3 defines word length as a function of S4-2 and S4-3.

7.5.10 Stop Bit Selection (SBS) Switch, S4-4

Set this switch to ON if you want one stop bit transmitted out of the SDI. In the OFF position, two stop bits are transmitted unless you have selected a five bit word length. In that case 1.5 stop bits are transmitted.

Table 7-2. Baud Rate Selection With Switch S3.

BAUD RATE	SWITCH S3 CONFIGURATION*
75	S3-1 ON, all others OFF
110**	S3-2 ON, all others OFF
150	S3-3 ON, all others OFF
300	S3-4 ON, all others OFF
600	S3-5 ON, all others OFF
1200	S3-6 ON, all others OFF
2400	S3-7 ON, all others OFF
4800***	S3-8 ON, all others OFF
<p>*Set no more than one switch to ON at the same time.</p> <p>**Rate required by standard 8-level TTY's (Teletype Machine).</p> <p>***Assumes K-to-M jumper on Sol-PC is not installed. With K-M jumper in and L-M trace on back side of Sol-PC cut, SDI operates at 9600 Baud when S3-8 is ON and all others OFF.</p> <p>NOTE FOR REV D Sol-PC BOARDS: With S3-7 ON and all others OFF, Baud rate is either 2400 (K-to-M jumper not installed) or 4800 (K-M jumper in and L-M trace on back side of Sol-PC cut). With S3-8 ON and all others OFF, Baud rate is 9600.</p>	

Table 7-3. Word Length Selection With S4-2 & 3.

WORD LENGTH (Number of Bits)	SWITCH SETTINGS	
	S4-2	S4-3
5	ON	ON
6	ON	OFF
7	OFF	ON
8	OFF	OFF

7.5.11 Full/Half Duplex (F/H) Switch, S4-6

Set this switch to ON if you want half duplex operation in the terminal mode. In half duplex operation, data transmitted out the SDI (J1) is "looped back" and received by the SDI for subsequent

display on the monitor. Use this type of operation when your Sol works with an external computer that does not "echo" data back to the Sol.

For full duplex: operation in the terminal mode, set S4-6 to OFF. Only received data is displayed in full duplex operation. Use full duplex when Sol's transmitted data need not be displayed. (Note that transmitted data from the Sol, if echoed back, is displayed as received data.)

NOTE

If no Baud rate is selected, data will not be transmitted out of the SDI.

7.5.12 Keyboard

The keyboard is an output device that produces ASCII (American Standard Code for Information Interchange) encoded data. It is hardwired to an input port on the Sol and is used for data entry. ASCII data is interpreted by the Sol as data and/or commands as determined by the current system monitor program. The monitor program may be in the personality module, ALS-8, Sol RAM memory or some memory.

7.6 THE KEYBOARD, GENERAL DESCRIPTION

The Sol Terminal Computer has ASCII 96-character keyboard. Its key arrangement conforms with the QWERTY (standard typewriter) format. As shown in the photo on page X-26, there are also 12 control keys (including five basic cursor controls) and seven special function keys. A 15-key arithmetic pad, available as an option on the Sol-10, is provided as standard equipment on the Sol-20.

7.6.1 Operating Features

The Sol keyboard features N-key rollover. That is, several keys can be pressed at the same time without loss of characters or commands. Key entries, however, are in the order of actual key closures. (The keyboard circuitry includes a scanning circuit that prevents simultaneous key operation.)

7.6.2 Keyboard Indicators

Three keys (SHIFT LOCK, UPPER CASE and LOCAL) have indicator lights to indicate keyboard/terminal status. When any of these keys is pressed to turn an indicator light on, the light remains on after the key is released to show that the status persists. Pressing the key again turns the light out to indicate the change in status.

7.7 INDIVIDUAL KEY DESCRIPTIONS

The exact function of most keys on the Sol keyboard is determined by the software used (e.g., the personality module). Others have predefined functions that are common to the CONSOL and SOLOS Personality Modules. (Note that any key that generates a code can be redefined by a program to perform a specific function.) The code generated by each key on the keyboard and the corresponding character, or symbol, produced by the Sol's character generator (U25) are given in Table 7-4 on Pages VII-18 through VII-21.

Table 7-4 has two main headings: 1) KEY which identifies the keys on the Sol keyboard and 2) HEXADECIMAL CODE/CHARACTER GENERATION which specifies for each key the hexadecimal code generated by the keyboard and the symbol produced by the Sol's character generator. The second heading is divided into three major categories: UNSHIFTED, SHIFTED and CONTROL. UNSHIFTED defines the results when operating the keys unshifted (lower case), SHIFTED provides the same information when they are operated shifted (upper case), and CONTROL defines the results of control sequences (refer to Paragraph 7.7.7 on Page VII-22). Within each of these three categories you will find the hexadecimal code generated and the symbol displayed in response to that code by either of the two possible character generators that can be supplied with your Sol, the 6574 and 6575. Some keys move the cursor without displaying a new character.

Looking at the "W" entry on Page VII-18 and reading across the table, we see that:

1. Pressing "W" unshifted would generate the code 77 and either character generator (6574 or 6575) produces a lower case "W" (w). Do not actually press the keys at this point.
2. Pressing "W" shifted would generate the code 57 and either character generator would produce an upper case "W" (W).
3. Pressing CTRL (control) and "W", whether shifted or unshifted, generates the code 17 which causes the 6574 to produce the graphic symbol "-|" for the ASCII "end of transmission block" control character and the 6575 to produce a two-character mnemonic (E_B) for that same control character.

In the following paragraphs, each key function is described in terms of its role in the terminal mode only and assumes the control character display option is enabled and the LOCAL indicator light is on. Many key functions differ from these descriptions in SOLOS command modes BASIC/5, ALS-8, etc. As an aid to learning each key location, we suggest that you keep the keyboard photo, X-26, in view as you study these functions.

7.7.1 Alphanumeric-Punctuation-Symbol Keys

These keys enter the applicable character into the Sol.

PROCESSOR TECHNOLOGY CORPORATION

Sol OPERATING PROCEDURES

SECTION VII

Table 7-4. Sol Keyboard Assignments.

KEY #	HEXADECIMAL CODE/CHARACTER GENERATION								
	UNSHIFTED			SHIFTED			CONTROL		
	Hex. Code	Symbol Displayed*		Hex. Code	Symbol Displayed*		Hex. Code	Symbol Displayed*	
		6574	6575		6574	6575		6574	6575
STANDARD KEYS									
ESCAPE	1B	None	None	1B	None	E _C	1B	None	None
1 !	31	1	1	21	!	!	01	⌈	S _H
2 "	32	2	2	22	"	"	02	⌋	S _X
3 #	33	3	3	23	#	#	03	⌌	E _X
4 \$	34	4	4	24	\$	\$	04	⌍	E _T
5 %	35	5	5	25	%	%	05	⌎	E _Q
6 &	36	6	6	26	&	&	06	⌏	A _K
7 ' /	37	7	7	27	' /	' /	07	⌐	B _L
8 (38	8	8	28	((08	⌑	B _S
9)	39	9	9	29))	09	⌒	H _T
∅	30	∅	∅	20	None	None	00	None	None
- =	2D	-	-	3D	=	=	0D	Return	Return
^ ~	5E	^	^	7E	~	~	1E	⌔	R _S
[{	5B	[[7B	{	{	1B	None	None
\ -	5C	\	\	7C	-	-	1C	⌕	F _S
] }	5D]]	7D	}	}	1D	⌖	G _S
BREAK	None	None	None	None	None	None	None	None	None
TAB	09	→	H _T	09	→	H _T	09	⌗	H _T
Q	71	q	q	51	Q	Q	11	⌘	D ₁
W	77	w	w	57	W	W	17	⌙	E _B
E	65	e	e	45	E	E	15	⌚	E _Q
R	72	r	r	52	R	R	12	⌛	D ₂
T	74	t	t	54	T	T	14	⌜	D ₄
Y	79	y	y	59	Y	Y	19	⌝	E _M
U	75	u	u	55	U	U	15	⌞	N _K
I	69	i	i	49	I	I	09	⌟	H _T

PROCESSOR TECHNOLOGY CORPORATION

SOL OPERATING PROCEDURES

SECTION VII

Table 7-4. Sol Keyboard Assignments. (Continued)

KEY #	HEXADECIMAL CODE/CHARACTER GENERATION								
	UNSHIFTED			SHIFTED			CONTROL		
	Hex. Code	Symbol Displayed*		Hex. Code	Symbol Displayed*		Hex. Code	Symbol Displayed*	
		6574	6575		6574	6575		6574	6575
STANDARD KEYS (Continued)									
O	6F	o	o	4F	O	O	0F	⊙	S _I
P	70	p	p	50	P	P	10	⊠	D _L
@ \	40	@	@	60	\	\	00	None	None
RETURN	0D	←	C _R	0D	←	C _R	0D	Return	Return
LINE FEED	0A	Line Feed	Line Feed	0A	Line Feed	Line Feed	0A	Line Feed	Line Feed
CTRL	None	None	None	None	None	None	None	None	None
SHIFT LOCK	None	None	None	None	None	None	None	None	None
A	61	a	a	41	A	A	01	⌞	S _H
S	73	s	s	53	S	S	13	⊙	D ₃
D	64	d	d	44	D	D	04	↘	E _T
F	66	f	f	46	F	F	06	↙	A _K
G	67	g	g	47	G	G	07	↻	B _L
H	68	h	h	48	H	H	08	↺	B _S
J	6A	j	j	4A	J	J	0A	Line Feed	Line Feed
K	6B	k	k	4B	K	K	0B	↓	V _T
L	6C	l	l	4C	L	L	0C	↘	F _F
; +	3B	;	;	2B	+	+	0B	↘	V _T
: *	3A	:	:	2A	*	*	0A	Line Feed	Line Feed
DEL _	7F	None	None	5F	Delete	Delete	1F	⊠	U _S
REPEAT	None	None	None	None	None	None	None	None	None
CTRL	None	None	None	None	None	None	None	None	None
UPPER CASE	None	None	None	None	None	None	None	None	None
SHIFT	None	None	None	None	None	None	None	None	None
Z	7A	z	z	5A	Z	Z	1A	⌞	S _B
X	78	x	x	58	X	X	18	⌞	C _N
C	63	c	c	43	C	C	03	⌞	E _X

*See notes at end of this table. Page VII-21.

PROCESSOR TECHNOLOGY CORPORATION

Sol OPERATING PROCEDURES

SECTION VII

Table 7-4. Sol Keyboard Assignments. (Continued)

KEY #	HEXADECIMAL CODE/CHARACTER GENERATION								
	UNSHIFTED			SHIFTED			CONTROL		
	Hex. Code	Symbol Displayed*		Hex. Code	Symbol Displayed*		Hex. Code	Symbol Displayed*	
		6574	6575		6574	6575		6574	6575
STANDARD KEYS (Continued)									
V	76	v	v	56	V	V	16		S _Y
B	62	b	b	42	B	B	02		S _X
N	6E	n	n	4E	N	N	0E		S _O
M	60	m	m	40	M	M	0D	Return	Return
, <	2C	,	,	3C	<	<	0C		F _F
. >	2E	.	.	3E	>	>	0E		S _O
/ ?	2F	/	/	3F	?	?	0F		S _I
SHIFT	None	None	None	None	None	None	None	None	None
LOCAL	None	None	None	None	None	None	None	None	None
Space Bar	20	None	None	20	None	None	20	None	None
ARITHMETIC PAD KEYS									
-	2D	-	-	2D	-	-	2D	-	-
*	2A	*	*	2A	*	*	2A	*	*
÷	2F	/	/	2F	/	/	2F	/	/
7	37	7	7	37	7	7	37	7	7
8	38	8	8	38	8	8	38	8	8
9	39	9	9	39	9	9	39	9	9
4	34	4	4	34	4	4	34	4	4
5	35	5	5	35	5	5	35	5	5
6	36	6	6	36	6	6	36	6	6
1	31	1	1	31	1	1	31	1	1
2	32	2	2	32	2	2	32	2	2
3	33	3	3	33	3	3	33	3	3
∅	30	∅	∅	30	∅	∅	30	∅	∅
.	2E	.	.	2E	.	.	2E	.	.
+	2B	+	+	2B	+	+	2B	+	+

KEY#	HEXADECIMAL CODE/CHARACTER GENERATION								
	UNSHIFTED			SHIFTED			CONTROL		
	HEX. Code	Symbol Displayed*		HEX. Code	Symbol Displayed*		HEX. Code	Symbol Displayed*	
		6574	6575		6574	6575		6574	6575
SPECIAL KEYS									
LOAD	8C	None	F _F	8C	None	F _F	8C	None	F _F
MODE SELECT	80	None	None	80	None	None	80	None	None
↑	97	None	None	97	None	None	97	None	None
←	81	None	None	81	None	None	81	None	None
→	93	None	None	93	None	None	93	None	None
↓	9A	None	None	9A	None	None	9A	None	None
HOME CURSOR	8E	None	None	8E	None	None	8E	None	None
CLEAR	8B	None	None	8B	None	None	8B	None	None
#Vertical line between characters indicates dual character key. *Character generated is displayable and transmittable. "None" means no code is generated or no symbol is displayed. Return is defined in Section 7.7.11, and line feed in Section 7.7.12, on page VII-24.									

7.7.2 Space Bar

Pressing the Space Bar, shifted or unshifted, generates the ASCII space code (20) and moves the cursor one space to the right.

7.7.3 Arithmetic Pad Keys

Except for the division symbol key (/), these keys enter the applicable character into the Sol. The division symbol key enters a forward slash (/) character. SHIFT does not affect these keys.

The arithmetic pad is useful for entering large amounts of numerical data. Each key in the pad duplicates its corresponding numeric, period (decimal point), dash (minus), plus (addition), asterisk (multiplication) and forward slash (division) key in the "typewriter" group of keys. That is, pressing one of the pad keys does the same thing as pressing its corresponding key in the "type-writer" group.

7.7.4 ESCAPE Key

Pressing ESCAPE, shifted or unshifted, generates the ASCII escape character (1B). The character is displayed.

7.7.5 BREAK Key

Pressing BREAK, shifted or unshifted, forces the SDI output line to a space level for as long as the key is depressed. No character is displayed. (Some communications systems use this feature.)

7.7.6 TAB Key

Pressing TAB, shifted or unshifted, generates the ASCII horizontal tab character (09). The character is displayed.

7.7.7 Control (CTRL) Key

CTRL, shifted or unshifted, is used with alphanumeric, punctuation and symbol keys to initiate functions or generate the characters defined in Table 7-4. Table 7-5 defines the ASCII control characters. The characters in Table 7-5 are not always displayed on the video monitor.

A control sequence (e.g., CTRL plus J, which produces ASCII line feed) requires that CTRL be pressed first and held down while the other key or keys are pressed in sequence.

7.7.8 SHIFT Key and SHIFT LOCK Key/Indicator

The SHIFT key generates no code and is thus not displayed. It is interpreted as a direct internal operation, and when pressed specifically shifts the keyboard from lower case to upper case and from the lower to upper character on dual character keys as on a typewriter. The keyboard remains in upper case as long as SHIFT is held down.

Pressing SHIFT LOCK to turn the indicator light on electronically locks the SHIFT key in the upper case position. Again, no code is generated and no character is displayed. Pressing SHIFT returns the keyboard to lower case and causes the SHIFT LOCK indicator light to go out.

7.7.9 UPPER CASE Key/Indicator

Pressing this key, shifted or unshifted, to turn the indicator light on activates the upper case keyboard function so that all alphanumeric characters entered from the keyboard, regardless of SHIFT key status, are transmitted as upper case characters. (Dual character keys, however, do respond to the SHIFT key.) With the indicator light on, the Sol keyboard essentially simulates a teletype (TTY) keyboard.

Pressing UPPER CASE to turn the indicator light off returns the keyboard to normal SHIFT key operation.

Table 7-5. Control Character Symbols and Definitions.

HEXADECIMAL CODE	SYMBOL GENERATED BY		DEFINITION
	6574 Generator	6575 Generator	
06	✓	AK	Acknowledge
07	🔔	BL	Bell
08	↶	BS	Backspace
18	✕	CN	Cancel
0D	↵	CR	Carriage Return
11	Ⓛ	D1	Device Control 1
12	Ⓜ	D2	Device Control 2
13	Ⓝ	D3	Device Control 3
14	Ⓞ	D4	Device Control 4
7F	☒	☒	Delete
10	▣	DL	Data Link Escape
17	⏏	EB	End of Transmission Block
1B	⦿	EC	Escape
19	⦿	EM	End of Medium
05	☒	EQ	Enquiry
04	↶	ET	End of Transmission
03	↶	EX	End of Text
0C	↶	FF	Form Feed
1C	☒	FS	File Separator
1D	☒	GS	Group Separator
09	↶	HT	Horizontal Tab
0A		LF	Line Feed
15	✕	NK	Negative Acknowledge
00	☐	NU	Null
1E	☒	RS	Record Separator
1A	⦿	SB	Substitute
01	↶	SH	Start of Heading
0F	⦿	SI	Shift In
0E	⊗	SO	Shift Out
02	↶	SX	Start of Text
16	☒	SY	Synchronous Idle
1F	☒	US	Unit Separator
0B	↵	VT	Vertical Tab

7.7.10 LOCAL Key/Indicator

The LOCAL key internally connects the SDI output to the SDI input and disables serial transmission. No character is displayed. Pressing LOCAL, shifted or unshifted, to turn the indicator light on sets Sol for local operation. Keyboard entries are not transmitted, but they are "looped back" to the SDI input for display. That is, Sol is not on "line". Pressing LOCAL to turn the light off ends local operation. This corresponds to the local/line operation of a TTY.

7.7.11 RETURN Key

Pressing RETURN, shifted or unshifted, generates the ASCII carriage return character (0D), which is not displayed, and moves the cursor to the start of the line on which it resided prior to RETURN being depressed. (This is the same action as a TTY carriage return.) RETURN also erases all data in the line to the right of the cursor.

7.7.12 LINE FEED Key

Pressing LINE FEED, shifted or unshifted, generates the ASCII line feed character (0A), which is not displayed, and moves the cursor vertically downward one line. (This is the same action as a TTY line feed.) Line feed action does not erase any data in the line to the right of the cursor.

7.7.13 LOAD Key

The LOAD key character is displayed, but the key is non-functional with CONSOL and SOLOS. The code generated by this key is 8C, and it may be used by a program to meet a specific need.

7.7.14 REPEAT Key

The REPEAT key generates no character and is consequently not displayed. Pressing REPEAT, shifted or unshifted, and another key at the same time causes the other key to repeat at an approximate rate of 15 times per second as long as both keys are held down. Pressing REPEAT at the same time as UPPER CASE performs a restart. See Section 7.5.2 on page VII-13.

7.7.15 MODE SELECT Key

Pressing this key, shifted or unshifted, generates the code 80 and causes Sol to enter the command mode.

7.7.16 CLEAR Key

Pressing CLEAR, shifted or unshifted, erases the entire screen and moves the cursor to its "home" position (upper left corner of the screen).

7.7.17 Cursor Control (HOME CURSOR and Arrows) Keys

Five keys control basic cursor movement. They are HOME CURSOR and the four keys with arrows. None are affected by SHIFT status, and none are displayed or transmitted.

Pressing HOME CURSOR moves the cursor to its home position--the first character position in the upper left corner of the screen.

To move the cursor up, down, left or right, press the applicable "arrow" key. Each time you press a key the cursor moves one unit in the direction you wish--one space horizontally or one line vertically. These keys may be used with REPEAT. The cursor will not move across any margin of the screen with these four keys.

7.8 BASIC OPERATIONS

7.8.1 Switching From Terminal To Command Mode

To switch from terminal to command mode, simply press the MODE SELECT key. Sol enters the command mode, issues a prompt character (>) and waits for a command input.

7.8.2 Switching From Command To Terminal Mode

To switch from command to terminal mode, press UPPER CASE, TERM and RETURN in that order. Sol enters the terminal mode and all keyboard data will be sent to the SDI output and all data received (including "looped back" data) will appear on the screen.

7.8.3 Entering Commands In The Command Mode

The various commands for CONSOL and SOLOS are described in Section IX of this manual and the SOLOS Users' Manual respectively.

You can place more than one command on the screen. For each command, use the arrowed cursor control keys to position the cursor at the start of a new line and begin the new command line with a prompt character (>).

A command is executed when you press the RETURN key, and all characters on the line to the left of the cursor are interpreted as the command. This means that if more than one command line is on the screen, you can execute any one of them as follows: position the cursor with the arrowed cursor control keys to the right of the desired command and press RETURN.

Should you make a mistake when entering a command, there are two ways to correct it:

(Paragraph 7.8.3 continued on Page VII-26.)

1. If you see the error immediately (the error is to the immediate left of the cursor), press the DEL key (unshifted) to erase the mistake. Then make the correction.
2. If the error is more than one character position to the left of the cursor, use the arrowed cursor control keys to position the cursor over the mistake. Then make the correction

7.8.4 Keyboard Restart

To perform a keyboard restart, press the UPPER CASE and REPEAT keys at the same time. This key combination performs the same function as a power on initialization or setting the RST switch to ON. Use the keyboard restart to return to SOLOS/CONSOL from 1) a program which does not recognize the MODE SELECT key or 2) a program that is stuck in an endless loop.

7.9 Sol-PERIPHERAL INTERFACING

7.9.1 Audio Cassette Recorders

Your Sol is capable of controlling one or two recorders. The interconnect requirements for one recorder were previously covered in Paragraph 7.4.1 in this section.

Since the Sol has only one audio input and one audio output jack, however, the interconnect requirements for two recorders are somewhat different than for one.

You will need two "Y" adapters, one to feed the single Sol audio output to the AUXILIARY input of two recorders and the other to feed the MONITOR output of two recorders to the single Sol audio input. (If you intend to use the Audio In and Out cables described in Paragraph 7.4.1 in this section, miniature phone jack-to-two miniature phone plug adapters are required.) Since the recorder outputs are most likely unbalanced, we also suggest that you incorporate 1000 ohm resistors in the MONITOR adapter as shown in Figure 7-5 on Page VII-29. Figure 7-5 also illustrates, in schematic form, how to connect two recorders to your Sol.

When using two recorders you may read or write to both under program control as well as read one tape while writing on the other. If you intend to read one tape while writing on the other, however, you may have to disconnect the MONITOR plug from the write unit, with the need for disconnect being determined by the recorder design. The MONITOR disconnect must be made if the recorder has a

"monitor" output in the record mode. (Panasonic RQ-413S and RQ-309DS do, for example.)

NOTE 1

Recorders on which the "monitor" jack is labeled MONITOR usually provide a monitor output in the record mode. If the jack is labeled EAR or EARPHONE, the recorder usually does not provide a monitor output in the record mode.

NOTE 2

To determine if your recorder provides a monitor output in the record mode, install a blank tape, plug earphone into "monitor" jack and microphone into MICROPHONE jack, set recorder controls to record, and speak into microphone while listening with the earphone. If you hear yourself through the earphone, your recorder does provide a monitor output in the record mode.

Write Operations. Other than placing the recorder(s) in the record mode, loading the cassette(s) and making sure that the head(s) is on tape (not leader), no manual operations are needed to write on tape.

In the case of two recorders, however. Unit 1 and 2 must be specified in the SAVE command in order to select the desired recorder. A default selects Unit 1. Refer to your SOLOS Users' Manual for instructions on how to use tape commands.

Read Operations. In order to read a specific file on tape, you must start the tape at least two seconds ahead of that file. This delay allows the Sol audio cassette interface circuitry and the recorder playback electronics to stabilize after power is turned on. Since all file searches are in the forward direction, the simplest approach is to fully rewind the cassette(s) before a read operation unless you know that the file of interest is advanced at least two seconds. (See Paragraph 7.4.3, Step 21 for instructions on how to rewind the tape.)

For a read operation, proceed as follows:

1. Load cassette(s) as just described.
2. If only one recorder is used, set its volume control at midrange. With two recorders, set both volume controls at their high end.

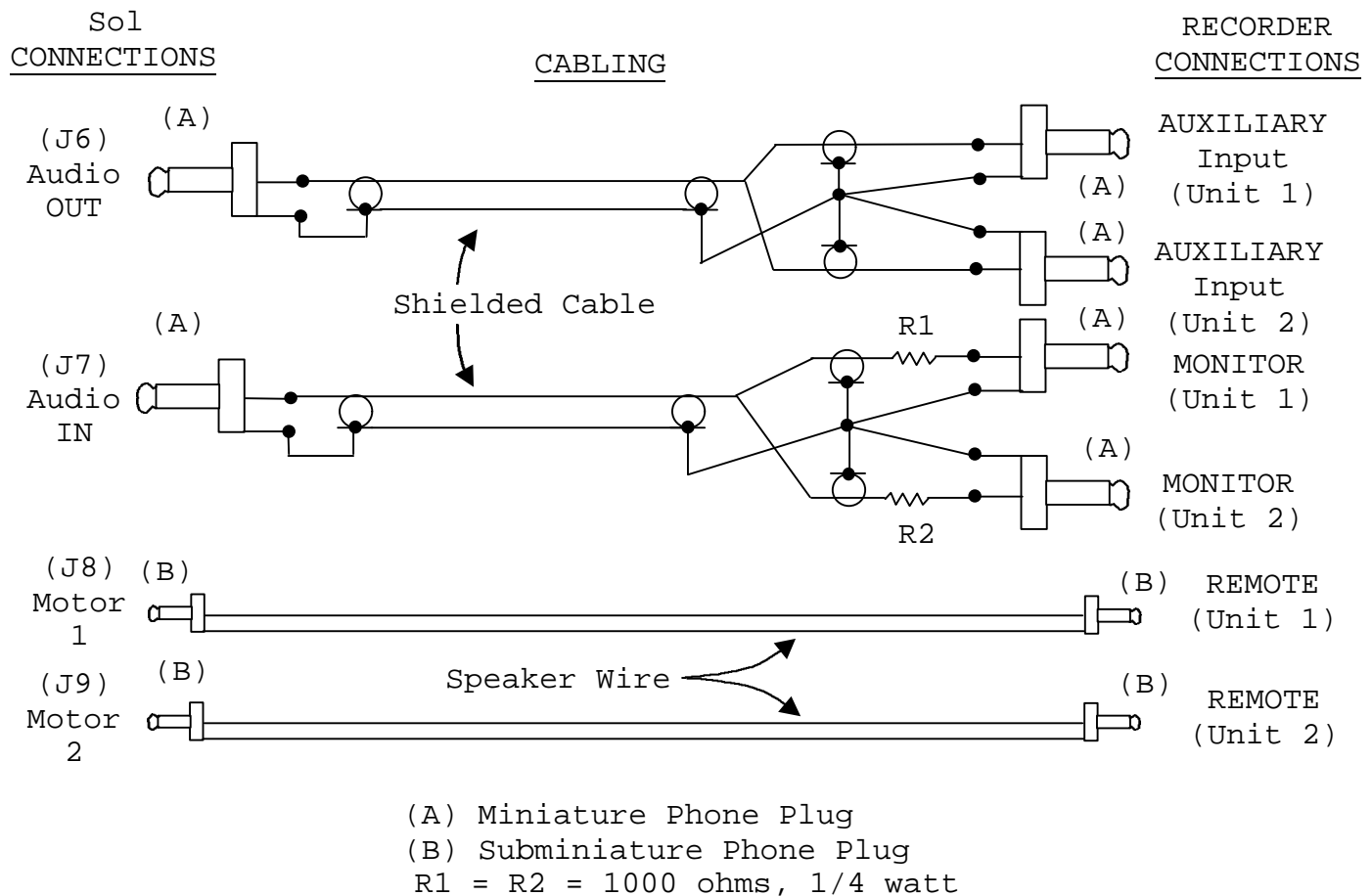


Figure 7-5. Connecting Sol to two cassette recorders

3. Set recorder(s) tone control(s) at the top of the range (maximum treble).
4. Set PLAY control(s) for playback mode.
5. Give Sol the GET or "GET, then Execute" command as appropriate. (Refer to your SOLOS Users' Manual for instructions on how to use tape commands.)

7.9.2 Serial Data Interface (SDI)

The Sol Serial Data Interface (J1) is capable of driving an RS-232 device, such as a modem, or a current loop device, such as the ASR33 TTY.

S3 (Baud Rate) and S4 (Parity, Word Length, Stop Bits and Full/Half Duplex) are used to select the various serial interface options as described in Paragraphs 7.5.7 through 7.5.11 in this section.

Set S3 switches to select the Baud rate required by the modem or current loop device. (Standard 8-level TTY's operate at 110 Baud, S3-2 ON and all other S3 switches OFF.) For standard 8-level TTY's and most modems, set all S4 switches OFF. (This selects eight data bits, two stop bits, no parity bit and full duplex operation for the SDI.

Figures 7-6 and 7-7 show examples of current loop and modem interconnections to the Sol SDI connector (J1). The ASR33 TTY is used to illustrate a current loop interconnect, and the Bell 103 modem is used to illustrate a modem interconnect.

When operating in the terminal mode and full duplex. Sol keyboard data is transmitted out on Pin 2 of J1 and data received on Pin 3 of J1 is displayed on the video monitor. In the command mode, SOLOS set in and out commands can be used to channel output data and input data through the SDI. (Refer to your SOLOS Users' Manual for instructions on how to use the set commands.)

In either mode, the LOCAL key directly controls the SDI. With the LOCAL indicator light on, received data is ignored and keyboard data is not transmitted. It is, however, looped back for display on the video monitor. With the LOCAL light off, received data is displayed and keyboard data is transmitted but not displayed unless it is echoed back.

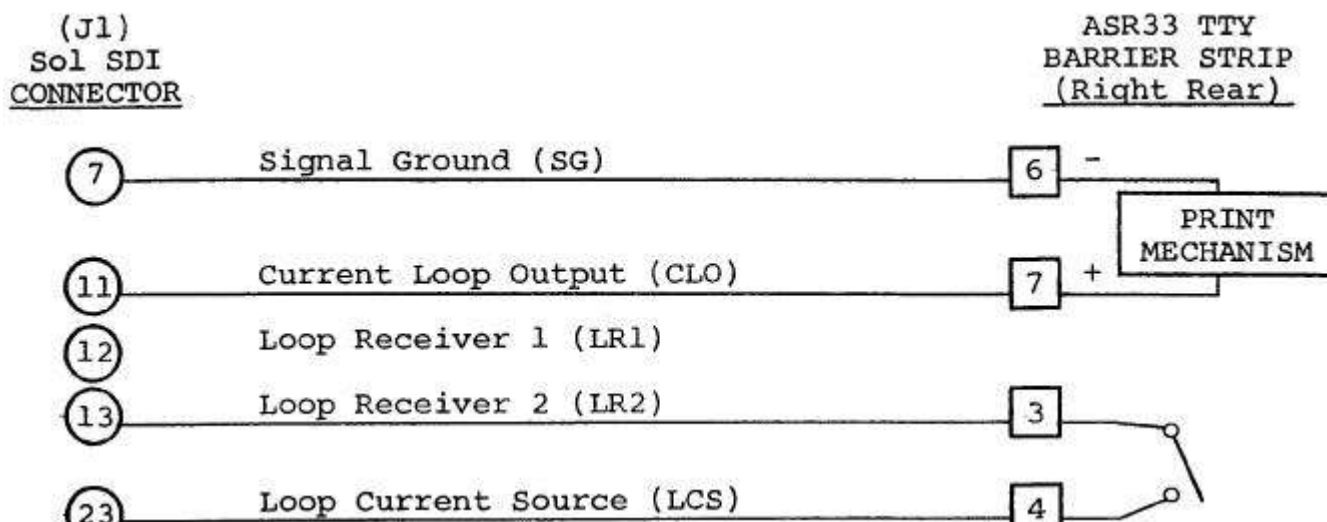
7.9.3 Parallel Data Interface (PDI)

The Sol Parallel Data Interface (J2) is used to drive parallel devices such as paper tape readers/punches and line printers. It provides eight output data lines, eight input data lines, four handshaking signals and three control signals. The latter allow up to four devices to share the PDI connector. (See Appendix VII for J2 pinouts.)

The port address for parallel input and output data is FD (hexadecimal), and the control port address for the PDI is FA (hexadecimal). PXDR is available at bit 2 of port FA. When this bit is set to 0, the external device is ready to receive a byte of data. PDR is available at bit 1 of port FA, with 0 indicating the external device is ready to send a byte of data. Parallel Unit Select (PUS) is controlled by bit 4 of port FA. The input and output enable lines are available for tri-stating an external two-way data bus.

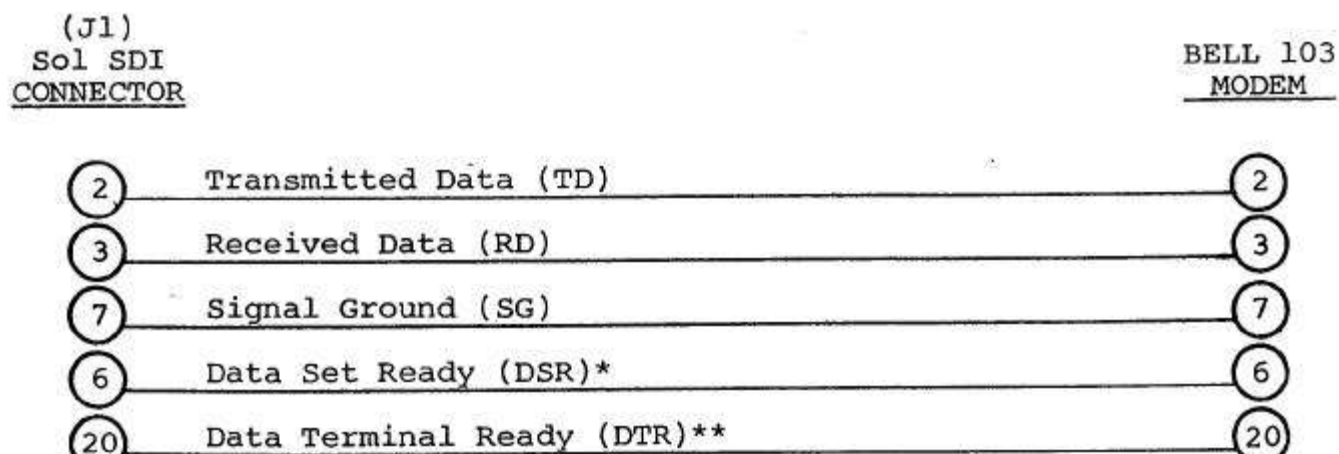
Use of the three control signals is optional and is unnecessary when only one device is connected to the PDI connector.

(Paragraph 7.9.3 continued on Page 31.)



CAUTION: PINS 1 AND 2 ON TTY BARRIER STRIP CARRY 120 V ac LINE VOLTAGE.

Figure 7-6. Connecting Sol SDI to current loop device such as TTY.



*Available at bit 1 of port F8. Terminal mode software (SOLOS et al) does not use this signal and transmits data whether or not the modem is ready.

**Sol is wired so that DTR indicates a ready condition whenever power is on.

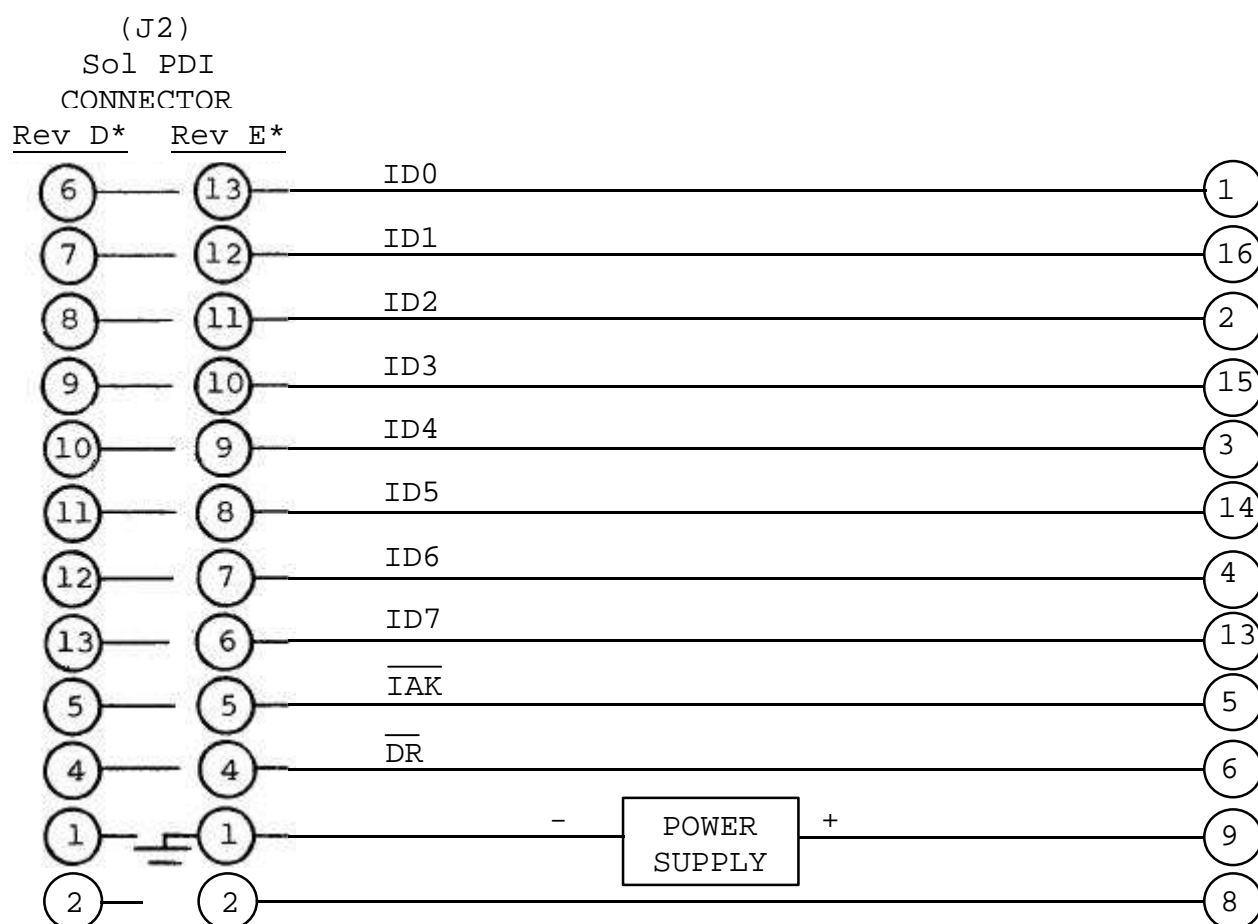
Figure 7-7. Connecting Sol SDI to communications modem.

In Figure 7-8, the Oliver OP80 Manual Paper Tape Reader is used to illustrate a typical PDI interconnect.

7.10 CHANGING THE FUSE

Sol is protected with a 3.0 amp Slo-Blo fuse housed on the rear panel (see Figure 7-1 on Page VII-6). To remove the fuse, turn Sol off, disconnect power cord, turn fuse post cap one quarter turn counterclockwise, pull straight out and remove fuse from cap.

To install a fuse, insert fuse in cap, push in and turn one-quarter turn clockwise.



NOTE: +5 V dc is not available at J2. The use of an external +5 V dc power supply with its ground connected to Pin 1 of J2 (Sol chassis ground) is recommended.

*Sol-PC Board

Figure 7-8. Connecting Sol PDI to parallel device.

VIII THEORY OF OPERATION

8.1 INTRODUCTION VIII-1

8.2 OVERVIEW VIII-1

8.3 BLOCK DIAGRAM ANALYSIS, Sol-PC VIII-3

8.3.1 Functional Elements And Their Relationships VIII-3

8.3.2 Typical System Operation VIII-5

Keyboard Data Entry and Display VIII-5

SDI/UART Transfer and Display VIII-6

8.4 POWER SUPPLY CIRCUIT DESCRIPTION VIII-6

8.5 Sol-PC CIRCUIT DESCRIPTIONS VIII-8

8.5.1 CPU and Bus VIII-8

8.5.2 Memory and Decoder VIII-14

8.5.3 Input/Output VIII-18

8.5.4 Display Section VIII-22

8.5.5 Audio Tape I/O VIII-33

8.6 KEYBOARD VIII-38

8.6.1 Block Diagram Analysis VIII-38

8.6.2 Circuit Description VIII-39

TABLES AND ILLUSTRATIONS

<u>TABLE</u>	<u>TITLE</u>	<u>PAGE</u>
8-1	Port Decoder (U35 & U36) Outputs and Their Functions	VIII-17

<u>FIGURE</u>	<u>TITLE</u>	<u>PAGE</u>
8-1	Clock Generator Timing	VIII-11
8-2	Example of uppercase character (I) display	VIII-24
8-3	Example of lowercase character (p) display	VIII-24
8-4	Video Display timing	VIII-27
8-5	6574 Character Generator ROM pattern	VIII-30
8-6	6575 Character Generator ROM pattern	VIII-31

8.1 INTRODUCTION

This section concerns itself with the hardware aspects of the Sol Terminal Computer^{T.M.}. It specifically deals with the operation of the power supply and the logic associated with the Sol-PC and keyboard. Descriptions of software and the operation of the circuitry contained in the multitude of integrated circuits (IC's) used in the Sol fall outside the scope of this section. In some cases, references to other publications or sections in this manual are provided when it is felt that additional information will contribute to a better understanding of how Sol operates. Should the reader wish to delve further into the operation of a specific IC, we suggest that he study the appropriate data sheet for that IC.

The section begins with an overview of the Sol design. A block diagram analysis then provides the reader with an understanding of the relationship between the functional elements of the Sol-PC. This analysis sets the stage for detailed descriptions of the circuitry that makes up these elements. The section concludes with a block diagram analysis and circuit description of the keyboard.

8.2 OVERVIEW

The Sol Terminal Computer^{T.M.} as the name implies, is both a terminal and computer. It is designed around the S-100 bus structure used in other 8080 microprocessor-based computers and incorporates all of the circuitry needed to perform either function. In essence, Sol combines a central processor unit (CPU) with several S-100 peripheral modules--memory, keyboard input interface (including the keyboard), video display output interface plus audio cassette tape, parallel, and serial input/output (I/O) interfaces. Sol-20 also includes a five-slot backplane board for adding other memory and I/O modules that are compatible with the S-100 bus.

An 8080 microprocessor (the CPU) is the "brain" of the Sol. It controls the functions performed by the other system components, obtains (fetches) instructions stored in memory (the program), accepts (inputs) data, manipulates (processes) data according to the instructions and communicates (outputs) the results to the outside world through an output port. (For information on 8080 operation, refer to the "Intel® 8080 Microcomputer Systems User's Manual.")

As shown in the Sol Simplified Block Diagram on Page X-24 in Section X, data and control signals travel between the CPU and the rest of the Sol over three buses: 1) a 16-line Address Bus, 2) an eight-line Bidirectional Data Bus, and 3) a 28-line Control Bus which is interfaced to the CPU with support logic circuitry. (Note that the use of a bidirectional data bus permits eight lines to do the work of 16, eight input and eight output.) These three buses account for the bulk of the S-100 Bus which connects the Sol to expansion memory and I/O modules.

In the Sol-20, the S-100 Bus structure takes the form of a five-slot backplane board. It consists of a printed circuit board with 100 lines (50 on each side) and five edge connectors on which like-numbered pins are connected from one connector to another. Functionally, the Sol version of the S-100 Bus is comprised of:

1. Sixteen output address lines from the CPU which are input to all external memory and I/O circuitry. (Direct memory access (DMA) devices must generate addresses on these lines for DMA transfers.)
2. Eight data input/output lines that transfer data between external memory and I/O devices and the CPU or DMA devices. (These eight lines are paralleled with eight other bus lines.)
3. Eight status output lines from the CPU support logic: Memory and I/O devices use status signals to obtain information concerning the nature of the CPU cycle. (DMA devices must generate these signals for DMA transfers.)
4. Nine processor command and control lines: Six of these are output signals from the CPU support logic; three of them are input signals to the CPU support logic from memory and I/O devices. (In a DMA transfer, the DMA device assumes control of these lines.)
5. Five disable lines: Four of these are supplied by a DMA device to disable the tri-state drivers on the CPU outputs during DMA transfers. The fifth is a derivative of the DBIN output from the CPU, and it is used to disable any memory addressed in Page ft. Use of this disable is optional with a jumper.
6. Two input lines to the CPU support logic which are used for requesting a wait period. One is used by memory and I/O devices and the other by external devices.
7. Six power supply lines which supply power to expansion modules.
8. Three clock lines.
9. Four special purpose signal lines.
10. Thirty-one unused lines.

Definitions for each S-100 Bus line, as used in the Sol, are provided on Pages AVII-3 through AVII-6 in Appendix VII.

In addition to the S-100 Bus structure, Sol also uses an eight-line keyboard input port, an eight-line parallel input port,

an eight-line parallel output port, an eight-line sense switch logic input port, and a unidirectional eight-line internal data bus.

The use of a unidirectional (input) data bus accommodates Sol's internal low-drive memory and I/O devices that do not meet the heavy drive requirement of the bidirectional data bus. The low-drive requirement of the internal bus also allows using the tri-state capabilities of the UART's (Universal Asynchronous Receiver/Transmitter) in the serial and audio cassette I/O circuits without additional drivers.

All CPU data and address lines are buffered through tri-state drivers to support a larger array of memory and I/O devices than would otherwise be possible with the 8080 output drive capability. Data input to the CPU is selected by a four-input multiplexer from the Keyboard Port, Parallel Port, Bidirectional Data Bus and Internal Data Bus. The Internal Data Bus is the source of all data input to the CPU from Sol's internal memory, the serial interface and the cassette interface. The Bidirectional Data Bus is the source of all data fed to memory and I/O, both internal and external. It is also the source of data input to the CPU from eight internal sense switches as well as from external memory and I/O.

8.3 BLOCK DIAGRAM ANALYSIS, Sol-PC

8.3.1 Functional Elements And Their Relationships

As can be seen in the Sol block diagram on Page X-24 in Section X, timing signals for Sol are derived from a crystal controlled oscillator that produces a "dot clock" frequency of 14.31818 MHz. (This frequency, four times that of the NTSC color burst, provides compatibility with color graphics devices.) The dot clock is applied directly to the Video Display Generator circuit and divided in the Clock Generator to provide $\phi 1$, $\phi 2$ and CLOCK. CLOCK synchronizes all control inputs to the 8080; $\phi 1$ and $\phi 2$ are the nonoverlapping, two phase clocks required by the 8080.

Memory internal to the Sol is divided between 2K of ROM (Read Only Memory), 1K of System RAM (Random Access Read/Write Memory) and 1K of Display RAM. The ROM permanently stores the instructions that direct the CPU's activities. (To enhance Sol's versatility, this particular memory is on a plug-in "personality module". Thus, Sol can be easily optimized for a particular application by plugging in a personality module that contains a software control program designed for the task. The CONSOL and SOLOS programs, which are described in Section IX, are examples of such personality modules.) Display RAM stores data for display on a video monitor, and the System RAM provides temporary storage for programs and data. All memories are addressed on the Address Bus (ADR0-15) and, except for the Display RAM, input data to the CPU on the Internal Data Bus (INT0-7). Data entry into both RAM's is done on the Bidirectional Data Bus (DIO0-7).

As can be seen, Sol's internal memory consists of four contiguous 1024-byte pages. There are two pages (C0 and C4, hexadecimal or hex) of ROM, with Page C0 at hex addresses C000 through C3FF and Page C4 at hex addresses C400 through C7FF. System RAM (Page C8) is at hex addresses C800 through CBFF, and Display RAM (Page CC) is at hex addresses CC00 through CFFF.

The six high order bits of the address are decoded in the Address Page and I/O Port Decoder to supply the required four memory page selection signals. The I/O Port Decoder portion of this circuit decodes the eight high order address bits to provide outputs that control Data Input Multiplexer switching, Data Bus Driver enablement and I/O port selection.

The video display section consists of the Video Display Generator and Display RAM. The RAM is a two-port memory, with the CPU having the higher priority. Screen refresh circuitry in the Video Display Generator controls the second port to call up data as needed for conversion by a character generator ROM into video output signals. Other circuitry generates horizontal and vertical sync and blanking signals as well as cursor and video polarity options.

A 1200 Hz signal, extracted from dot clock by a divider in the Video Display Generator, drives the Baud Rate Generator. This generator supplies the receive and transmit clocks for the serial data interface (SDI/UART) and provides all frequencies required for Baud rates between 75 and 9600. It also supplies clock signals to the Cassette Data Interface (GDI).

A UART controls data flow through the Serial Data Interface (SDI/UART) and provides for compatibility between the Sol and a data communications system, be it RS-232 standard or a 20 ma current loop device. In the transmit mode, parallel data on the Bidirectional Data Bus is converted into serial form for transmission. Received serial data is converted in the receive mode into parallel form for entry into the CPU on the Internal Data Bus. SDI/UART status is also reported to the CPU on the Internal Data Bus. The SDI/UART channel is enabled by the port strobe from the Address Page and I/O Port Decoder.

Circuitry within the GDI derives timing signals from clocks supplied by the Baud Rate Generator. The Cassette Data UART functions to 1) convert parallel data on the Bidirectional Data Bus into serial audio signals for recording on cassette tape, and 2) convert serial audio signals from a cassette recorder into parallel data for entry into the CPU from the Internal Data Bus. Note that Cassette Data UART status is also reported to the CPU on the Internal Data Bus. Again, a UART performs the necessary parallel-to-serial and serial-to-parallel conversions. Other GDI circuitry performs the needed digital-to-audio and audio-to-digital conversions and provides the signals that allow motor control for two recorders. As with the SDI/UART, the Cassette Data UART is enabled by a port strobe from the Address Page and I/O Port Decoder.

Output data from the CPU that is channeled through the Parallel Port (PP) is latched from the Bidirectional Data Bus by the parallel strobe from the Address Page and I/O Port Decoder. This data is made available at P2, the PP connector. Parallel input data (PID0-7) on P2, however, is fed directly to the Data Input Multiplexer for entry into the CPU.

As can be seen, keyboard data (KBD0-7) from J3 is also fed directly to the Data Input Multiplexer. The keyboard data ready flag, though, is input to the CPU on the internal data bus.

The remaining internal source of data input to the CPU is the Sense Switch Logic, with the data being input on the Bidirectional Data Bus. This is an eight-switch Dual Inline Package (DIP) array that lets the CPU read an eight-bit word when it issues the sense switch strobe via the Address Page and I/O Port Decoder. The sense switch data source is available to interact with the user's software.

CPU Support Logic accepts six control outputs from the CPU, status information from the CPU's data bus and control signals from the Control Bus. It controls traffic on the data buses by generating signals to 1) select the type of internal or external device (memory or I/O) that will have bus access and 2) assure that the device properly transfers data with the CPU.

8.3.2 Typical System Operation

Basic Sol system operation is as follows: The CPU fetches an instruction and in accordance with that instruction issues an activity command on the Control Bus, outputs a binary code on the Address Bus to identify the memory location or I/O device that is to be involved in the activity, sends or receives data on the data bus with the selected memory location or I/O device, and upon completion of the activity issues the next activity command.

Let's now look at some typical operating sequences.

Keyboard Data Entry and Display. Assume the "A" and SHIFT keys on the keyboard are pressed. The keyboard circuitry converts the key closures into the 7-bit ASCII (American Standard Code for Information Interchange) code for an "A" {1000001} and sends a keyboard-data-ready status signal to the CPU on the Internal Data Bus. The monitor program in ROM repetitively "looks" for the status signal. When it finds this signal the program enters its keyboard routine and enables the transfer by switching the Data Input Multiplexer to the keyboard bus via the Address Page and I/O Port Decoder.

Following program instructions, the CPU addresses the Display RAM on the Address Bus to determine where the next character is to appear on the screen. It then stores the ASCII code for the "A" at the appropriate location in the Display RAM and adds one to the cursor position in readiness for the next character. (Addressing is

done over the Address Bus; cursor position and the "A" enter the Display RAM on the Bidirectional Data Bus.) The CPU is now finished with the transfer, and will issue the next activity command.

When the refresh control circuitry calls up (addresses) the "A" from the Display RAM, the character generator ROM decodes the ASCII-coded "A" that is input from the Display RAM and generates the "A" dot pattern (see Figure 8-5 and 6) in parallel form. The ROM output is serialized into a video signal and combined with a composite sync signal to provide an Electronic Industries Association (EIA) composite video signal for display on an external video monitor.

SDI/UART Transfer and Display. A data transfer through the SDI/UART is similar to a keyboard entry, but data can be transferred in either direction.

Assume the SDI/UART wants to transfer an "A" from a modem to the CPU for display on a video monitor. The ASCII code for the "A", received in serial form from the modem on the serial data input of the SDI connector (J1), is fed to the SDI/UART. In the receiver section of the UART the serial data is converted into parallel form and placed in the UART's output register. The UART also sends a "received data ready" status signal to the CPU on the Internal Data Bus. When the program in ROM checks and finds the status signal, the program enters the SDI routine, and enables the transfer by switching the Data input Multiplexer to the Internal Data Bus. The "A" enters the CPU on the Internal Data Bus and is sent to the Display RAM on the Bidirectional Data Bus. Operations involved in displaying the "A" are identical to a keyboard entry.

Now assume the CPU wants to send an "A" to the SDI/UART for transmission. The CPU, under program control, sends the SDI/UART status input port strobe via the Address Page and I/O Port Decoder to the UART. In turn, the UART responds with its status on the Internal Data Bus. Assuming the UART is ready to transmit, the CPU places the ASCII code for the "A" on the Bidirectional Data Bus and sends the SDI/UART data output port strobe which loads the Bidirectional Data Bus content into the UART's transmitter section. The "A" is serialized by the UART and sent out the transmitted data pin of J1.

8.4 POWER SUPPLY CIRCUIT DESCRIPTION

Refer to the Sol-REG and Sol-10 or Sol-20 Power Supply Schematics in Section X, Pages X-12, 13 and 14.

The Sol power supply consists of the Sol-REG regulator and either the Sol-10 or Sol-20 power supply components. An 8 V dc unregulated supply in the Sol-20 is the only difference between the two. We will, therefore, describe the complete Sol-10 supply followed by the unregulated 8 V dc supply in the Sol-20.

Fused primary power is applied through S5 to T1 (T2 in the Sol-20). FWB1, a full-wave bridge rectifier, is connected across the 8-volt secondary (green leads). The rectified output is filtered by C8 and applied to the collector of Q1. Q1, a pass transistor, is driven by Q2, with the two connected as a Darlington pair. The output of Q1 is connected to R1 which serves as an overload current sensor.

An overload current (approximately 4 amps) increases the voltage drop across R1. The difference is amplified in one-half of U2 (an operational amplifier) and the output on pin 7 turns Q3 on. Q3 in turn "steals" current from Q1-Q2 and diverts current from the output on pin 1 of U2. This in effect turns the supply off to reduce the current and voltage. Note that the circuit is not a constant current regulator since the current is "folded back" by R6 and R8. The current is reduced to about 1 amp as the output voltage falls to zero.

Divider network R11 and R12, which is returned to -12 volts, senses changes in the output voltage. If the output voltage is 5 volts, the input on pin 2 of U2 is at zero volts. U2 provides a positive output on pin 1 if pin 3 is more positive than pin 2 and a negative output for the opposite condition.

When the output voltage falls below 5 volts, pin 2 of U2 goes more negative than pin 3. This means pin 1 of U2 goes positive to supply more current to the base of Q1. The resulting increase in current to the load causes the output voltage to rise until it stabilizes at 5 volts. Should the output voltage rise above 5 volts, the circuit operates in a reverse manner to lower the voltage.

Protection against a serious over-voltage condition (more than 6 volts) is provided by SCR1, D1, R2, R13, R14 and C8. Zener diode, (D1), with a 5.1 zener voltage, is connected in series with R13 and R2. When the output voltage exceeds about 6 volts, the resulting voltage drop across R2 triggers SCR1 to short the foldback current to ground. Since the overload current circuit is also working, the current through SCR1 is about 1 amp. Once the current is removed, this circuit restores itself to its normal condition; that is, SCR1 turns off. R13, R14 and C8 serve to slightly desensitize the circuit so that it will not respond to small transient voltage spikes.

Bridge rectifier FWB2, connected across the other T1 secondary, supplies +12 and -12 V dc. The positive output of FWB2 is filtered by C5 and regulated by IC regulator U1. The negative output is filtered by C4 and regulated by U3. Shunt diodes D3 and D4 protect U1 and U3 against discharge of C6 and C7 when power is turned off. (Note that should the -12 volt supply short to ground, the +5 volt supply turns off by the action of U2.)

Unregulated -16 and +16 V dc, at 1 amp, from the filtered outputs of FWB2 are made available on terminals X6 and X5. These are not used in the Sol-10, but they are supplied to the backplane board in the Sol-20 to drive S-100 Bus modules.

In the case of the Sol-20, the power transformer (T2) has an additional 8-volt secondary winding and a third bridge rectifier (FWB3) to supply +8 V dc at 8 amps. The output of FWB3 is filtered by C9 and controlled by bleeder resistor R13. Again, this voltage is supplied to the backplane board in the Sol-20.

Sol-20 also includes a cooling fan powered by the AC line voltage.

8.5 Sol-PC CIRCUIT DESCRIPTIONS

8.5.1 CPU and Bus

Refer to the CPU and Bus Schematic in Section X, Page X-15.

A crystal, two inverter sections in U92 and four D flip-flops (U90) and associated logic make up the Clock Generator.

The two U92 sections function as a free-running oscillator that runs at the crystal frequency of 14.31818 MHz. R133 and R134 drive these two sections of U92 into their linear regions, and C61 and C64 provide the required feedback loop through the crystal. U77, a permanently enabled tri-state non-inverting buffer/amplifier, furnishes a high drive capability.

This fundamental clock frequency is fed directly to the Video Display Generator and to the clock inputs of U90. U90 is a four-stage register connected as a ring counter that is reset to zero when power is applied to the Sol. This reset is accomplished with D8, R104 and C39.

The bits contained in the ring counter shift one to the right with every positive-going clock transition, but the output of the last stage is inverted or "flipped" before being fed back to the input. In a simple four-stage "flip-tail" ring counter, the contents would progress from left to right as follows: 1000, 1100, 1110, 1111, 0111, 0011, 0001, 0000--on the first through eighth clocks respectively. The hypothetical counter would go through eight states, dividing the clock by eight.

The Sol counter, however, is a modified flip-tail ring counter that can be configured to divide by one of three divisors--5, 6 or 7. This is made possible by using a two-input NAND gate (U91) in the feedback path and three jumper options (no jumper, D-to-C and D-to-E) to alter the feedback path. Let's see how it works.

Sol is normally configured with the D-to-E jumper installed to meet the clock requirements of the 8080A CPU. With this jumper installed, the outputs of the third and fourth U90 stages are applied to pins 9 and 10 of U91. Assuming U90 is reset to zero, pin 8 of U91 is high, and on the first clock pulse the counter contents change to 1000. (Refer to 2.045 MHz Clocks portion of Figure 8-1 on Page VIII-11.) Pin 8 of U91 cannot change until the fourth state (1111), at which time it goes to zero. On the fifth clock pulse the counter changes to 0111. Again, pin 8 of U91 cannot change from zero until one of its inputs changes. As shown in Figure 8-1, the third U90 stage (C) changes on the seventh clock. The counter now stands at 0001, and on the eighth clock the counter flips to 1000 and the count cycle repeats. The pattern is thus 1000, 1100, 1110, 1111, 0111, 0011, 0001. U90 consequently goes through seven states. We have a 3.5-stage counter that divides DOT CLOCK by seven to supply a 2.045 MHz output.

With no jumper installed, pin 10 of U91 is pulled high by R105, and U91 operates as a simple inverter for feeding back the output of the third U90 stage. In effect we have a three-stage counter that operates in a similar manner to that described in the preceding paragraph. It goes through six states (100, 110, 111, 011, 001, 000) to divide DOT CLOCK by six which produces a 2.386 MHz output. The timing for this option is also shown in Figure 8-1.

Let's now put the D-to-C jumper in. The feedback in this case is the NAND combination of the outputs from the second (B) and third (C) U90 stages. This gives us a 2.5-stage counter that divides DOT CLOCK by five. As can be determined from the 2.863 MHz portion of Figure 8-1, the counter has five states with this option, and the count pattern is: 100, 110, 111, 011, 001.

Outputs from U90 are applied to the logic comprised of the remaining three sections in U91. This logic and the A-to-B jumper option permits extracting clock pulses of varying widths and relationships to each other from various points within the counter. We extract two clock signals: $\phi 1$ on pin 6 of U91 and $\phi 2$ on pin 11 of U91. (The ability to select the frequency and pulse width for $\phi 1$ and $\phi 2$ permits the use of either the 8080A, 8080A-1 or 8080A-2 CPU for U105. The "A" version is the slowest speed unit, the "A-2" has an intermediate speed, and the "A-1" is the fastest.) Let's now see how the pulse width of $\phi 1$ and $\phi 2$ are determined.

$\phi 1$ on pin 6 of NAND gate U91 is low only when its two inputs are high, and this happens only when there is a 1 in the second and fourth stages of U90. This occurs during the time between the fourth and sixth fundamental clocks for 2.04 MHz operation--the fourth and fifth clocks for 2.38 MHz and 2.86 MHz. Keeping in mind that the fundamental clock period is 70 nsec, it is readily seen that the low frequency pulse train on pin 6 of U91 has a pulse width of 140 nsec and the two higher frequency pulse trains have a pulse width of 70 nsec. (Refer to Figure 8-1 on Page VIII-11.)

The A-to-B jumper is installed when the 8080A or 8080A-1 CPU is used in the Sol. Note that the output ($\phi 2$) on pin 11 of NAND gate U91 is low only when the output on pin 3 of NOR gate U91 is high. (This section in U91 is actually a two-input NAND gate which is functionally the same as a two-input NOR gate.) Pin 3 of U91, with the A-to-B jumper in, is high when either the second (B) or third (C) U90 stage is at zero. As shown in Figure 8-1, this occurs between the sixth and tenth DOT CLOCKS, or 280 nsec (4×70 nsec), for 2.04 MHz operation. For 2.863 MHz, it occurs between the fifth and eighth DOT CLOCKS for 210 nsec. The section of NAND gate U91 with its output on pin 11 inverts the output on pin 3 of U91 and introduces a slight delay to insure there is no overlap between $\phi 1$ and $\phi 2$.

With the A-to-B jumper out, pin 11 of U91 is low only when the second stage (B) of U90 is at zero. At 2.386 MHz, this occurs between the fifth and eighth DOT CLOCKS for 210 nsec. This configuration is used for the 8080A-2 CPU.

In summary, we have two non-overlapping pulse trains which represent the 01 and 02 clocks required by the 8080 CPU, and the pulse widths of these two clocks vary with frequency as follows:

<u>FREQUENCY</u>	<u>$\phi 1$ PULSE WIDTH</u>	<u>$\phi 2$ PULSE WIDTH</u>	<u>CPU</u>
2.045 MHz	140 nsec	280 nsec	8080A
2.386 MHz	70 nsec	210 nsec	8080A-2
2.863 MHz	70 nsec	210 nsec	8080A-1

$\phi 1$ and $\phi 2$ are applied to S-100 Bus pins 25 and 24 respectively through inverters (U92) and bus drivers (U77). They are also capacitively coupled to pins 2 and 4 respectively of driver U104, the phase clock conditioner.

An additional clock, called CLOCK, is taken from pin 8 of NAND gate U91. It occurs 70 nsec after $\phi 2$. It is used on the Sol-PC and is also made available on S-100 Bus pin 49 as a general 2.04, 2.38 or 2.86 MHz clock signal.

Three J-K flip-flops (U63 and 64) are used to synchronize the READY, RESET and HOLD inputs to the CPU. All three are connected as D-type flip-flops so that their outputs follow their inputs on the low-to-high transition of the clock. The READY flip-flop input on pins 2 and 3 of one section in U63 is either PRDY or XRDY from the S-100 Bus; these are normally pulled high by R34 and R12 respectively. S-100 Bus signal !PRESET, which is normally pulled high by R55, inputs the RESET flip-flop, the other section of U63. The HOLD flip-flop (U64) input is !P_HOLD, normally pulled high by R56, from the S-100 Bus. Pull up resistors R51, R50 and R53 insure that the high states of these three flip-flops are adequate for the CPU.

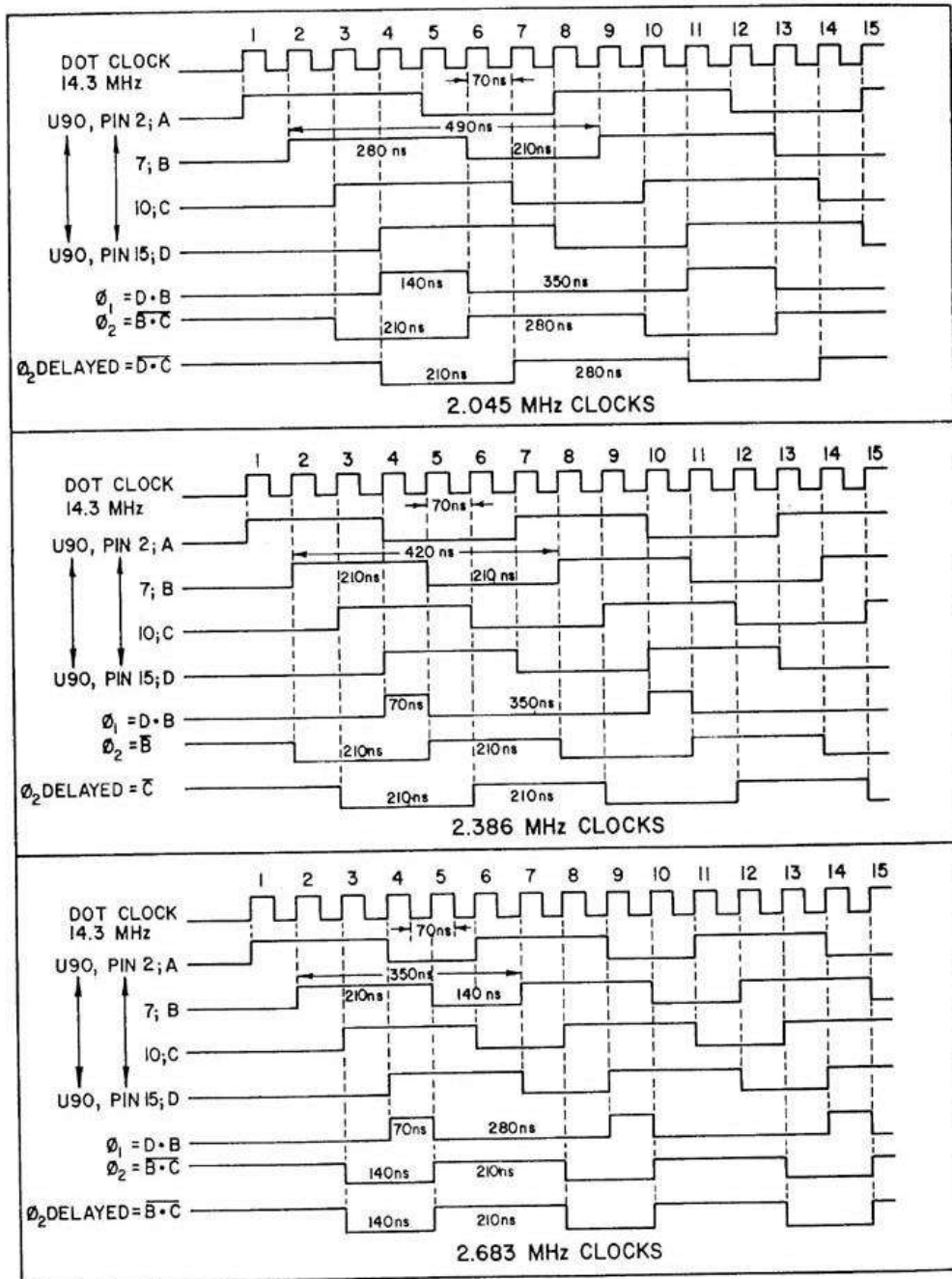


Figure 8-1. CLOCK GENERATOR TIMING

Diode D7, C15 and R18 make up the POC (power on clear) circuit. When power is applied, C15 starts to charge slowly until it reaches the threshold on pin 6 of U46, a Schmitt trigger. (By this time the logic and 5 volt supply have stabilized.) When the threshold is reached, pin 1 of U46 suddenly goes low. The resulting output on pin 8 of inverter U92 is initially low and then rapidly goes high. This signal is passed through a section of U77, a permanently enabled noninverting tri-state driver, as !POC to S-100 Bus pin 99. It is also inverted in a section of U45 to become POC.

The output on pin 8 of U92 is also connected to pin 15 of U63. Thus, pin 9 (RESET) of U63 is high to start the CPU in the reset condition when the Sol is initially turned on.

When !POC goes high, the RESET flip-flop section of U63 is free to clock. Assuming !PRESET is not active, it will change state on the first CLOCK transition. The resulting high on pins 10 and 5 of U63 cause pin 7 (READY) of U63 to go low to place the CPU in the not ready or wait state. This state is subsequently removed on the CLOCK transition following the transition which removed the low from pin 5 of U63. This helps prevent the CPU from starting in a crash condition.

The HOLD flip-flop (U64), however, is not affected by the POC circuit, and was clocked to a low on pin 7 well before the RESET and READY signals became active.

Operation of the POC circuit can also be initiated, without turning the power off, by a keyboard restart signal on pin 13 of J3 or by closing S1-1 if the N-P jumper is in. In either case, C15 is discharged through R58 and then allowed to recharge after !KBD_RESTART is removed or S1-1 is opened.

!POC also resets all stages of D flip-flop U76 (the phantom start-up circuit) to zero. On initial start-up, the CPU performs four fetch machine cycles (refer to Intel® 8080 Microcomputer Systems User's Manual) in accordance with program instructions. For each fetch, the CPU outputs a DBIN on pin 17. U76, connected as a four-stage shift register, is clocked by the inverted DBIN signal on pin 3 of NOR gate U46. Thus, !PHANTOM, on S-100 Bus pin 67, is active low (assuming the F-to-G jumper is in) for the first four fetches or machine cycles. After the fourth DBIN, !PHANTOM goes high. !PHANTOM is used to 1) disable any memory addressed in Page 0 that has Processor Technology's exclusive "Phantom Disable" feature and 2) cause the Sol program memory (ROM), which normally responds to Page C0 (hex) to respond to Page 00 (hex). The second function is discussed in Paragraph 8.5.2.

The inverted DBIN on pin 3 of U46 is also applied to pin 12 of NOR gate U46 and inverted to appear as PDBIN on S-100 Bus pin 78. This section of U46 also allows !DIG1 (bus pin 57) to override DBIN. (!DIG1 is used when an external DMA device replaces the CPU in terms of writing into and reading from memory.) The other CPU control signals (SYNC, INTE, HLDA, WR and WAIT) are also fed to the S-100 Bus pins as indicated. These, as well as DBIN or !DIG1, are placed on the bus through tri-state drivers which are enabled by C/C DSB on S-100 Bus pin 19. Note that this signal is normally pulled high by R20.

The data lines of the CPU (D0-7) are bidirectional and are used for several functions. One of these is to output status at the start of each cycle which is marked by the SYNC output of the CPU. Status on D0-7 is latched in U93 and U106 (each of which contains four D flip-flops) when pin 8 of inverter U45 goes high. Status information, as identified on the schematic, is then buffered through tri-state drivers U94 and U107 to the S-100 Bus. The status latch strobe on pin 8 of U45 is extracted in the middle of the SYNC pulse by gating PSYNC and ! ϕ 2 in NAND gate U44. !STAT_DSB on S-100 Bus pin 18 is used to disable the U94 and U107 buffers when a DMA device or another processor assumes control of the S-100 Bus.

A second function of D0-7 is to output data from the CPU to the Bidirectional Data Bus. Data out of the CPU is placed on this bus through tri-state drivers (U80 and U81). Note that these drivers are normally enabled unless this bus is in the input mode or an external device has control of the bus. In the latter case, !DO_DSB on S-100 Bus pin 23 would be pulled low to make pin 8 of NOR gate U48 high. In the input mode pin 8 of U48 is high because !OUT_DSB is low. This signal is generated by decoding !PAGE_CC, MEM_SEL, !PORT_IN_FC, PORT_IN_FD, INT_SEL to produce MPX_ADR_A and MPX_ADR_B on pins 3 and 11 respectively of two NOR gates in U48. MPX_ADR_A and MPX_ADR_B are decoded with !DBIN on pin 5 of NAND gate U47.

The D0-7 bus lines are also used to input data to the CPU. Data input to the CPU is multiplexed from four data buses with four 4-to-1 line multiplexers (U65, 66, 70 and 79). These four buses are the: 1) Keyboard Data Bus, KDB0-7, 2) Parallel Input Data Bus, PID0-7, 3) Internal Data Bus, INT0-7, and 4) Bidirectional Data Bus, DIO0-7.

These data multiplexers are tri-state devices, with their outputs pulled up by R107 through R114 to a level that satisfies the input requirements of the CPU. Their outputs are active only when both their E1 and E2 (pins 1 and 15) are low. As can be seen, this occurs only when !DBIN on pin 3 of NOR gate U46 is low; that is, when the DBIN output of the CPU is active to indicate its data bus is in the input mode.

Input selection to the multiplexers is done with the A and B inputs to U65, 66, 78 and 79. These two inputs are driven by MPX_ADR_A on pin 3 of NOR gate U48 and MPX_ADR_B on pin II of NOR gate U48. There are four possible states for the combination of MPX_ADR_A and _B, and their relation to input selection is as follows:

1. If both are active (high), the multiplexers select the Bidirectional Data Bus.
2. When the keyboard is called up by the CPU, only !PORT_IN_FC is active (low) to make MPX_ADR_A low. This selects the Keyboard Data Bus.
3. When the parallel port is called up by the CPU, only !PORT_IN_FD is active (low) to make MPX_ADR_B low. This selects the Parallel Input Data Bus.
4. When the CPU selects any I/O port that uses the Internal Data Bus, only !INT_SEL (pin 2 of U47 and U61) is active. Thus, both MPX_ADR_A and _B are low to select the Internal Data Bus.

Two other conditions, defined by !PAGE_CC on pin 2 and MEM_SEL on pin 1 of NAND gate U44, are possible. When any of the four memory pages in the Sol are accessed, MEM_SEL goes high and an inversion in U44 (!PAGE_CC is normally high) appears as a low MPX_ADR_A and _B to select the Internal Data Bus. Should Page CC (the Display RAM) be addressed, !PAGE_CC also goes active (low) to override MEM_SEL. MPX_ADR_A and _B are consequently high to select the Bidirectional Data Bus. These two conditions are required since the ROM and System RAM use the Internal Data Bus and the Display RAM uses the Bidirectional Data Bus.

The address outputs of the CPU (A0-15) are placed on the Address Bus via tri-state drivers (U67, 68 and 81). These drivers are normally enabled since pin 3 of inverter U49 is pulled high by R36. !ADD_DSB on S-100 Bus pin 22 is used to disable the address drivers when a DMA device or another CPU takes over the bus.

A 5.1 volt zener diode, D11, and a divider network composed of R130, 131 and 132 derive -5 V dc from the -12 V dc supply for use by the CPU. Diode D12 and the same divider supply -12 V dc to pin 3 of U104, the phase clock conditioner.

8.5.2 Memory and Decoder

Refer to the Memory and Decoder Schematic in Section X, Page X-16.

The System RAM consists of eight 1K by 1 bit static memory chips, U3 through U10, and it is assigned addresses C800-CBFF (hex). When the CPU wants to write data into memory, it addresses the System RAM on ADR0-15. ADR0-4 select the row inside the RAM chips, ADR5-9 select the column, and ADR10-15 select the page (in this case Page C8, hex). Page selection enables the eight RAM chips on pin 13. For a read operation, MWRITE on S-100 Bus pin 68 is low, and the resulting high on pin 3 (WE) of the RAM chips keeps them in the read mode. Thus, data on the Bidirectional Data Bus is read into the PRAM'S on their D1 (pin 11) inputs. MWRITE is high, however, during the time the CPU wants to write data into memory. In this case, pin 3 of the RAM's is low to enable them to accept data from the Bidirectional Data Bus.

The ROM is also addressed on ADR0-15 as is the System RAM. Since there can be two pages, however, two enable lines (one for Page C0, hex, and the other for C4, hex) are provided. The C0 and C4 enables are connected to pins A6 and A5 respectively of J5, the Personality Module connector. Unlike the RAM, the ROM can only read data into the CPU, so the previously discussed MWRITE signal is not needed. Data out of the ROM is output on the Internal Data Bus on pins A3, A4 and B5-10 of J5.

ADR10-15 are input to the Address Page and Port Decoder (U34, 35, 36 and their associated logic). U34 (Address Page), U35 (Output Port) and U36 (Input Port) are 3-to-8 line decoders which have three enable inputs (G1, G2A and G2B). G1 must be high and both G2A and B must be low in order to obtain an active output.

Let's look at the Address Page Decoder, U34, first. It must be able to decode four pages: C0 and C4 (ROM), C8 (System RAM) and CC (Display RAM). (Note that these are the hexadecimal digits of the six high order address bits, ADR10-15).

The high order four bits (ADR12-15) must be 1100 (C, hex) in all cases by virtue of the U22 exclusive OR logic. If they are not, the G1 enable on U34 is low to disable that decoder. Bits ADR10 and 11 (The A and B inputs to U34) are the high order bits of the second hexadecimal digit which must be 00 (0, hex), 01 (4, hex), 10 (8, hex) or 11 (12, hex) if U34 is to have an active output. For C0, pin 11 of U34 is active (low); for C4, pin 10 is active; for C8 pin 9 is active; and for CC pin 7 is active. These outputs are applied to the appropriate memories and also provide the MEM_SEL signal on pin 6 of one section in U23. (This section is actually a 4-input NAND gate which is functionally the same as a 4-input NOR gate.)

Note that the U22 logic input with ADR14 and 15 is also connected to !PHANTOM. When this signal is active (low), the output on pins 3 and 11 will be low to disable U34 when ADR12-15 represent a C. If Page 0 is addressed, however, pins 3 and 11 of U22 are high, and this, coupled with lows on ADR10-13, are decoded by U34 as an active output on pin 11. The ROM will consequently respond to addresses in Page 0 and C0 (hex) as long as !PHANTOM is active.

The other two enables on U34 (G2A and G2B) are connected to SINP and SOUT. These two status signals indicate an input or output operation during the CPU cycle. U34 is therefore disabled during these operations.

SINP and SOUT are also fed to pins 5 and 6 of NOR gate U53 which detects an input or output operation. Its output is inverted by U54 and applied to pin 9 of another U53 NOR gate. The other input (pin 8) to U53 is MEM_SEL. So during a memory reference, input operation or output operation, pin 10 of U53 is active to enable the PRDY driver, U71. The low on pin 10 of U53 is also clocked by ϕ_2 as a high to pin 7 of U70, a J-!K flip-flop that is connected as a D flip-flop. Note that the $!(PSYNC \ \& \ !\phi_2)$ signal on pin 5 of U70 forces U70 to set during the middle of PSYNC (refer to CPU and Bus discussion). U70 cannot clock until pin 5 is released, and this occurs simultaneously with the low-to-high transition of ϕ_2 . PRDY is thus low immediately after pin 10 of U53 goes low and remains in that state from the middle of PSYNC to the first positive-going ϕ_2 after PSYNC. This is the time the CPU tests the status of the ready lines (PRDY and XRDY). If either is low, the CPU enters a WAIT state. U53, 70 and 71 thus guarantees that the CPU enters one WAIT state during cycles in which an input, output or memory reference is made.

U35 and 36, the Output and Input Port Decoders respectively, decode the higher order eight address bits (ADR8-15).

All Sol ports have a hexadecimal F (1111) in their high order four bits (ADR12-15 are 1's). The second hexadecimal digit is also never less than eight. This means that ADR11 is always 1 for a port address. These five address bits are thus NAND gated in U23 to provide one of the enables on U35 and 36. Note that the ADR14-15 combination is derived from the output on pins 3 and 11 of the U22 exclusive OR logic. This is permissible since no I/O operations are performed during the first four start-up cycles of the CPU.

The A, B, and C inputs to U35 and 36 (ADR8, 9 and 10 respectively) specify the second hexadecimal digit in the port address and are decoded to supply the indicated outputs. These outputs and their functions are defined in Table 8-1. U36 is enabled to decode when PDBIN and SINP are active; that is, during an input operation. U35 is enabled when SOUT and !PWR are active; that is, during an output operation.

INT_SEL on pin 8 of inverter U83 is the remaining signal generated by the Input Port Decoder circuit. This signal is active when either input port F8, F9, FA or FB is decoded by U36.

Both the address page and input/output decoders can be disabled by SINTA (S-100 Bus pin 96) when the AE-to-AC and AB-to-AD jumpers are installed. SINTA is active (high) when the CPU is responding to an interrupt. Should an external device issue addresses during this time, any memory response would interfere with the

Table 8-1. Port Decoder (U35 & U36) Outputs and Their Functions.

PORT DECODER OUTPUT	FUNCTION
!PORT_OUT_FE	Loads starting row address and first display line position information from Bidirectional Data Bus into Video Display scroll circuit.
!PORT_OUT_FD	Clocks data from Bidirectional Data Bus to output data pins of PP connector.
!PORT_OUT_FB	Loads data from Bidirectional Data Bus into Cassette Data UART.
!PORT_OUT_FA	Clocks PP and CDI control bits from Bidirectional Data Bus.
!PORT_OUT_F9	Loads data from Bidirectional Data Bus into SDI UART.
!PORT_OUT_F8	Clocks RTS (request to send) from bit 4 of Bidirectional Data Bus to pin 4 of SDI connector.
!PORT_IN_FF	Permits CPU to read data byte entered from Sense Switches.
!PORT_IN_FE	Places Video Display scroll timer and screen position status on bits 0 and 1 of Bidirectional Data Bus.
!PORT_IN_FD	Switches Data Input Multiplexer to input data pins of PP connector and resets PP at end of a transfer to ready it for another.
!PORT_IN_FC	Switches Data Input Multiplexer to Keyboard Data Bus.
!PORT_IN_FB	Strobes received data in CDI UART to Internal data Bus.
!PORT_IN_FA	Places PP, keyboard and CDI UART status on Internal Data Bus.
!PORT_IN_F9	Strobes received data in SDI UART to Internal Data Bus.
!PORT_IN_F8	Places SDI UART status on Internal Data Bus.

interrupt operation. To prevent this, SINTA is inverted in U58 to 1) disable U34 on pin 6 and 2) force pin 8 of NAND gate U23 high to disable U35 and U36 on pin 5. (This feature is provided to enable future versions of Sol to operate with a vectored interrupt system.)

8.5.3 Input/Output

Refer to the Input/Output Schematic In Section X, Page X-17.

This section in the Sol has five functional circuits: 1) Parallel I/O Logic, 2) Sense Switch Logic, 3) Keyboard Flag Logic, 4) SDI/UART and 5) Baud Rate Generator.

The PP uses U95 and 96 (4-bit D-type registers) and their related logic. Data output to the PP connector (J2) is latched from DIO0-7 by U95 and U96. Data is strobed into these registers on the leading edge of an inverted active !PORT_OUT_FD signal on pin 4 of inverter U54. This strobe is also applied to pin 2 of U73 which functions as a J-K flip-flop that is clocked by ! ϕ 2. When the ! ϕ 2 goes from low to high 200 to 300 nsec after !PORT_OUT_FD, pin 7 of U73 goes low to become !POL on pin 17 of J2. (This delay allows U95 and 96 to stabilize.) U73 is reset in the middle of the following PSYNC which means !POL is active for the balance of the cycle.

The outputs of U95 and 96 are tri-state outputs that are enabled by a low on pin 2. In the absence of POE at pin 15 of J2, pin 2 of U95 and 96 are low by virtue of the output on pin 8 of inverter U55. Note that the input to U55 is normally pulled up through R63. The POE provision permits tri-stating an external bidirectional data bus.

As discussed in Paragraph 8.5.1, parallel input data on J2 is fed directly to the Data Input Multiplexer (see Page X-15). The strobe that indicates the presence of input data, !PDR on pin 4 of J2, is applied to pins 2 and 3 of one section in U72, a J-!K flip-flop which is connected as a D flip-flop. When !PDR goes active (low), pin 7 of U72 will go high on the next low-to-high transition of ϕ 2 to toggle the following U72 stage. At this point pins 9 and 10 of the second section in U72 go high and low respectively. Pin 9 supplies PIAK on pin 5 of J2. When high, PIAK signals the external device that Sol has yet to complete acceptance of the data. The state of pin 10 of U72 is transmitted to INT1 of the Internal Data Bus through a U71 tri-state noninverting buffer. U71 is enabled only for the duration of !PORT_IN_FA (auxiliary status). During the time U71 is enabled, the CPU reads the Internal Data Bus. A high INT1 indicates the parallel input data is not ready; a low indicates the data is ready.

The second U72 flip-flop is preset by !PORT_IN_FD or POC. !PORT_IN_FD is active to read data in from the PP; POC occurs only when Sol is restarted or power is turned on. Thus the PP is reset and ready for another transfer at the end of a transfer or when POC is active.

PXDR on pin 16 of J2 is supplied by the external device. It indicates the device is ready to receive data. !PXDR is buffered to INT2 and will effect the transfer of data to the Internal Data Bus during the status input to the CPU. !PXDR is analogous to the previously discussed PIAK signal.

Sense Switches S2-1 through 8 are driven by !PORT_IN_FF when it is low. Thus, the DIO lines connected to closed switches are driven low, and those connected to open switches are pulled high.

U97 (a 4-bit D-type register) and one section of U52 (a J-!K flip-flop connected as a D flip-flop) latch five bits of data on D103-7 when !PORT_OUT_FA goes active. These bits, which supply the indicated outputs, control conditions in both the PP and CDI. With respect to the PP, PIE enables parallel input, and PUS selects the parallel device for the transfer. The data in these two latches remains until either a new word is read out or POC goes active.

Also during !PORT_OUT_FA, the keyboard flag is reported. !KEYBOARD_DATA_READY on pin 3 of J3 is a low going pulse 1 to 10 usec in duration. It is applied to pin 13 of J-!K flip-flop U70. Some time after pin 13 of U70 goes low, but before 500 nsec, U70 is set by ϕ_2 and pin 10 goes low. This low is buffered through U71 to INT0 to indicate the keyboard is ready to send data. Reset of U70 occurs with a POC or by !PORT_IN_FC. The latter occurs when data is accepted from the keyboard.

The other half of flip-flop U52, with its output on pin 6, latches one bit of status, D104, when !PORT_OUT_F8 is active. Its output is applied to pin 5 of one operational amplifier section in U56 to become the SRTS (request to send) signal on pin 4 of J1, the SDI connector.

The SDI/UART centers around a UART, U51. The UART transmission conditions (parity, word length and stop bits) are determined by the settings of S4-1 through 5. (Refer to Paragraphs 7.5.8 through 7.5.10 in Section VII for descriptions of the switch settings and their effect on transmission.

Data destined to leave Sol through the SDI/UART enters the UART on its TI1-6 inputs from the Bidirectional Data Bus when TBRL (pin 23) is low; that is, when !PORT_OUT_F9 goes active. Circuitry within the UART serializes the input data, which is in parallel form, and outputs it on pin 25 at a rate determined by the clock on pin 40. The binary states at pin 25 are low for a zero and high for a one. Assuming Sol is not in local operation ("off line"), the output on pin 25 of the UART is applied to pins 2 and 11 of J1 via two gates in U55 and the other half of U56.

Data that enters Sol through the SDI/UART on pins 3, 12 or 13 of J1 is input to the SDI UART on pin 20 by way of U38, an inverting level converter that converts data levels of up to 25 volts to TTL levels. (Note that current loop data on pin 12 or 13 of J1 is first rectified before it is applied to U38.) The UART converts this serial data into parallel form and outputs it on R01 through R08 (pins 12 through 5 respectively) to the Internal Data Bus when ROD (pin 4) is low; that is, when !PORT_IN_F9 goes active.

The receive-transmit clock for the SDI UART is supplied by the Baud Rate Generator (U84, U85, U86 and their associated circuitry). U85 is a phase locked loop, U86 is a 7-stage binary counter and U84 is connected as a divide-by-11 counter. The 1200 Hz reference signal applied to pin 14 of U85 is supplied from the Video Display Generator. A phase comparator in U85 compares this signal to the output of a voltage controlled oscillator (VCO) in U85. By feeding an output from U86 (in this case the 1200 Hz output on pin 3) back to the compare input (pin 3) of U85, the circuit acts as a frequency multiplier. The output (pin 4) of U85 remains locked, therefore, to a multiple of its input on pin 14. In this case we have a 128X multiplier to generate 153.6 KHz which is counted down in U86. Since U86 is a 7-stage binary counter, the first stage output (pin 12) is 76.8 KHz (one-half of 153.6 KHz, the clock for U86), the second stage output (pin 11) is 38.4 KHz (one-fourth of 153.6 KHz), the third stage output (pin 9) is 19.2 KHz (one-eighth of 153.6 KHz), and so on to the seventh stage output (pin 3) which is 1.2 KHz (1/128 of 153.6 KHz).

With the exception of outputs on pins 12 and 9, the outputs of U86 are connected to S3, the Baud Rate Switch. The 19.2 KHz output on pin 9 is divided by 11 in U84 to supply 1745 Hz to S3-2. The 38.4 KHz on pin 12 can be connected to S3-8 instead of the 153.6 Hz clock by cutting the L-M connection and installing a jumper between K and M.

Let's now translate the frequencies input to S3 into Baud rates. The Baud rate of a UART is 1/16 of its clock rate. Thus, a 1200 Hz clock equates to a 75 Baud transmission rate, a 1745 Hz clock equates to a 109.1 (110) Baud rate, etc. It is now readily seen that the Baud rate available with S3-8 is 9600 assuming the L-M connection is made (153.6 KHz - 16 = 9600). (The L-M connection is default wired on the Sol-PC; that is, there is a trace between L and M on the circuit board.) If the L-M trace is cut and a jumper is installed between K and M, the Baud rate with S3-8 is 4800 (76.8 KHz - 16 = 4800).

We can thus select any one of eight clock frequencies for the SDI UART with S3, with the highest being determined by the K, L and M jumper arrangement. The selected clock is applied to both the receive and transmit clock inputs (pins 17 and 40 respectively) of the UART. This means, of course, that the UART always receives and transmits at the same Baud Rate.

Returning to the SDI UART, we see that its transmitter output on pin 25 is applied to pin 5 of U55, a two-input NAND gate that is functionally a NOR gate. It is normally enabled on pin 4 by pull-up resistor R44. A low on pin 5 represents a binary 0; a high represents a binary 1. The inverted output on pin 6 of U55 is again inverted (assuming Sol is not operating in Local) by the following U55 NAND gate. One-half of operational amplifier U56, operating open loop, converts TTL levels to RS-232 levels (5 to 15 volts). Pin 3 of U56 is held at +2.5 V dc by the R47 and R48 divider network. When pin 2 is more negative than pin 3, the output on pin 1 of U56, which is fed to pin 2 of J1, is at approximately +10 volts. For the opposite condition, pin 2 of J1 is about -10 volts. Thus, U56 also inverts, and a high or low on pin 2 of J1 represent a binary 1 and 0 respectively.

Two conditions can override transmitted data: a keyboard break (!BRK) or local (!KBD_LOC) command. For a break command, !BRK on pin 4 of J3 and pin 4 of NOR gate U55, is low to hold pin 6 of U55 high for the duration of the !BRK signal. This appears as a "space", or high level, on pin 2 of J1. (A space, or break, condition requires that the space level exist for a period longer than the normal length of a character.) In the case of a !KBD_LOC command from the keyboard, pins 1 and 13 of the other two U55 sections are low. Thus, data cannot be transmitted to pin 3 of NAND gate U55, and pin 11 of NOR gate U55 is held high to enable tri-state driver U37 at pin 15. Data on pin 6 of U55 is consequently looped back by way of U37 and R21 to pin 12 of U38. Data on pin 12 of U38 overrides any data arriving at pin 13 of U38. In local operation, therefore, data from pin 25 of the UART does not appear at pin 2 of J1, but it is looped back to the receiver input (pin 20) of the UART via U37, R21 and U38.

Notice that data on pin 25 of the UART will also be looped back if S4-6 is closed (half duplex operation). But in this case, data from the UART is also fed to pin 2 of J1.

Serial data from the UART that appears at pin 1 of U56 also drives transistor Q1 by way of R45 and R46 to supply the serial current loop output (SCL0) on pin 11 of J1. Q1 supplies 20 ma. (max.) current for a binary 1 and no current for a binary 0.

Pin 23 of J1 (connected through R23 to +12 V dc) is the serial loop current source (SLCS). It can supply up to 20 ma of current to ground and is used when the external current loop device has no current source.

Data received from a current loop device enters Sol on pins 12 and 13 of J1 in the form of no current for a 0 and 20 ma of current for a 1. This input is rectified by bridge rectifier D3-D6 and applied to a light emitting diode (LED) in optical isolator U39. As its name implies, U39 electrically isolates the current loop circuit from the rest of the Sol. (This isolation permits a high offset voltage on pins 12 and 13 of J1.) For a 1, the LED is energized, and

the light is optically coupled to the base of a photo transistor in U39 to cause the transistor to conduct. Conduction translates to a low, or mark, level at the input (pin 13) of U38. Since both the current loop and RS-232 received data (SLR1/SLR2 and SRD respectively) share the input to U38, both should not be used simultaneously.

There are five external control signals in the RS-232 section of the SDI/UART: two are sent to the external device (SRTS and SDTR), and three are received from the device (SCTS, SCD and SDSR).

SRTS on pin 4 of J1 was discussed earlier. SDTR (serial data terminal ready) is simply tied to +12 V dc through R24. This indicates to the external device that Sol is connected to it.

SCTS (serial clear to send), SCD (serial carrier detect) and SDSR (serial data set ready) indicate status of the external device. They enter Sol on pins 5, 8 and 6 of J1 respectively, and all three are active high. Following level conversion and inversion in line receivers U38, data on these lines is gated through noninverting tri-state buffers U37 to the Internal Data Bus when !PORT_IN_F8 is active.

!PORT_IN_F8 also enables five bits of UART status to be reported over the Internal Data Bus. These are PE, FE, OE, DR and TBRE on pins 13, 14, 15, 19 and 22 respectively of the UART. They are defined as follows:

- PE: Parity Error--received parity does not compare to that programmed. (Bit INT2)
- FE: Framing Error--valid stop bit not received when expected. (Bit INT3)
- OE: Overrun Error--CPU did not accept data before it was replaced with additional data. (Bit INT4)
- DR: Data Ready--data received by UART is available when requested. (Bit INT6)
- TBRE: Transmitter Buffer Register Empty--UART is ready to accept another word from the Bidirectional Data Bus. (Bit INT7)

8.5.4 Display Section

An understanding of how characters are formed on the video monitor will help you follow operation of the display section.

The monitor screen can be thought of as a large matrix of small light elements, or dots, that can be turned on and off. In this context the overall video presentation consists of light and dark dots.

In the Sol, the display format is 64 characters maximum per character row, with a maximum of 16 rows per frame (page). Thus, up to 1024 characters can be displayed per page.

A 9x13 (columns by lines) dot area, or character position, is allotted on the monitor screen for each displayed character (see Figures 8-2 and 8-3 on Page VIII-24). Consequently, each character row consisting of sixty-four 9 x 13 dot areas requires 13 horizontal scan lines. To provide spacing between both characters and rows, only 12 dot lines and seven dot columns within the 9 x 13 matrix are used for character display. Only nine of the available 12 dot lines, however, are used for any given character.

Let's take a closer look at how the 9 x 13 dot matrix is used. The first seven dot columns are available for all character displays; the last two are used to provide a space between characters. The first dot line in a character row is always blank to provide a space between character rows. As shown in Figure 8-2, the second through tenth dot lines are available for all upper case (capital) and control characters, all symbol and punctuation marks (except the comma and semicolon), and all lower case characters (except the g, j, p, q and y). As shown in Figure 8-3, dot lines five through 13 are available to display characters that normally extend below the base line--lower case g, j, p, q and y plus the comma and semicolon.

Now that we have a feeling for how characters are formed on the video monitor screen, we will move on to the circuit description.

Refer to Display Section Schematic in Section X, Page X-18.

The 14.31818 MHz DOT_CLOCK, which defines the period of one dot (69.8 nsec) in a character display matrix, controls all timing in the Video Display Generator. DOT_CLOCK is applied to pin 2 of U28, a four-bit binary counter that is preset to count from seven through 15 to divide DOT_CLOCK by nine. Two 1.591 MHz outputs are supplied by U28: LOAD_CLOCK on pin 11 and !CHARACTER_CLOCK on pin 12. Pin 11 is a low-active pulse of one DOT_CLOCK duration. Pin 12 is high for five and low for four DOT_CLOCK periods. Both the LOAD_ and !CHARACTER_CLOCK low-to-high transitions occur synchronously on the same DOT_CLOCK.

!CHARACTER_CLOCK, which defines the period of one character position (628 nsec), is inverted in U49 to become CHARACTER_CLOCK. It performs most of the clocking functions in the Video Display Generator and is made available on pin 4 of J4 for use by external graphic display devices.

CHARACTER_CLOCK is in turn divided in U31 and U33, both of which are presettable four-bit binary counters. Both start at count 3 when pin 8 of NAND gate U47 is low, and together they count 102 CHARACTER_CLOCKS to define horizontal timing at 64 usec (102 x 628 nsec = 64 usec).

CHARACTER ADDRESS*	LINE ADDRESS	SCAN LINE NO.	COLUMN NO.									VIDEO INFORMATION BITS
			1	2	3	4	5	6	7	8	9	
1001001 ↑ ↓ 1001001	1111	1	0	0	0	0	0	0	0	0	0	000000000 (blank)
	0000	2	0	#	#	#	#	#	0	0	0	011111000
	0001	3	0	0	0	#	0	0	0	0	0	000100000
	0010	4	0	0	0	#	0	0	0	0	0	000100000
	0011	5	0	0	0	#	0	0	0	0	0	000100000
	0100	6	0	0	0	#	0	0	0	0	0	000100000
	0101	7	0	0	0	#	0	0	0	0	0	000100000
	0110	8	0	0	0	#	0	0	0	0	0	000100000
	0111	9	0	0	0	#	0	0	0	0	0	000100000
	1000	10	0	#	#	#	#	#	0	0	0	011111000
	1001	11	0	0	0	0	0	0	0	0	0	000000000 (blank)
	1010	12	0	0	0	0	0	0	0	0	0	000000000 (blank)
	1011	13	0	0	0	0	0	0	0	0	0	000000000 (blank)

*7-bit ASCII code for I # = illuminated dot

Figure 8-2. Example of uppercase character (I) display.

CHARACTER ADDRESS*	LINE ADDRESS	SCAN LINE NO.	COLUMN NO.									VIDEO INFORMATION BITS
			1	2	3	4	5	6	7	8	9	
1110000 ↑ ↓ 1110000	1111	1	0	0	0	0	0	0	0	0	0	000000000 (blank)
	0000	2	0	0	0	0	0	0	0	0	0	000000000 (blank)
	0001	3	0	0	0	0	0	0	0	0	0	000000000 (blank)
	0010	4	0	0	0	0	0	0	0	0	0	000000000 (blank)
	0011	5	#	0	#	#	#	0	0	0	0	101110000
	0100	6	#	#	0	0	0	#	0	0	0	110001000
	0101	7	#	0	0	0	0	#	0	0	0	100001000
	0110	8	#	0	0	0	0	#	0	0	0	100001000
	0111	9	#	#	0	0	0	#	0	0	0	110001000
	1000	10	#	0	#	#	#	0	0	0	0	101110000
	1001	11	#	0	0	0	0	0	0	0	0	100000000
	1010	12	#	0	0	0	0	0	0	0	0	100000000
	1011	13	#	0	0	0	0	0	0	0	0	100000000

*7-bit ASCII code for p # = illuminated dot

Figure 8-3. Example of lowercase character (p) display.

As indicated in Figure 8-4 on Page VIII-27, Subgroup Counter U31 and Group Counter U33 are preset to a count of 3 at the start of each horizontal scan line. U31 counts from 3 through 15 (13 character positions) and enables U33 for one count. U31 then counts 0 through 15 and enables U33 for the second count. The sequence continues through four more groups of 16 character positions, and at this point U33 is at its sixth count (a binary 9). Thus, pins 11 and 14 are high at pins 10 and 11 of U47. U31 continues to count from 0, and on the ninth count (a binary 8) pin 9 of U47 goes high. The resulting low on output pin 8 of U47 loads three into U31 and U33, and the cycle repeats. The U31-U33 cycle) from preset, is then 13, 16, 16, 16, 16 and 9 character position counts for a total of 102.

The QD output on pin 11 of U33 is SCAN_ADV, and the QC output on pin 12 is HDISP. SCAN_ADV is used to generate horizontal synchronization signals, and HDISP defines the start of the display portion of the horizontal scan line.

Four outputs from U31 and the two low order outputs of U33 (pins 13 and 14) are input to the Character Address Multiplexer, U30 and U32, which supplies the low order six address bits to the Display RAM (U14 through U21). The second address source for the Display RAM is the Address Bus, bits ADR0-5. Address source selection is controlled by the output on pin 7 of D flip-flop U75. Pin 7 of U75 goes high when !PAGE_CC (the Display RAM) is active and !(PSYNC & !Φ2) goes high (which it does in the middle of PSYNC). Pin 7 of U75 remains high for the rest of the memory access cycle.

The preset signal (pin 8 of U47) to U31 and U33 is applied to the Scan Counter (U40) via inverter U87. U40 counts the horizontal scan lines that make up a row of characters and supplies the line number to U25, the Character Generator ROM. (This ROM is discussed later.) U40 is preset to a count of 15 for the first scan line in the character row. It then counts from 0 through 11. On count 11, SCAN_ENABLE on pin 8 of U47 is inverted in U87 to disable the Scan Counter. A decoder, comprised of NAND gates U59 and U60, decodes the 13th count (count 11) in U40 and SCAN_ENABLE to supply a load pulse to pin 9 of U40. This resets U40 to a count of 15, and the cycle repeats. (Presetting the Scan Counter to a count of 15 permits the Character Generator ROM to provide a blank spacer line between character rows since line 15 in the ROM is always blank.)

The output on pin 8 of NAND gate U59, after inversion in U87, becomes the OVERFLOW_LINE signal. This signal occurs after each character row and appears at pins 7 and 10 of Text Counter U62 to enable it to count. Thus, the Text Counter counts character rows. It resets itself with its carry output (pin 15) through another inverter in U87, with the reset count being determined by the state on pin 10 (VDISP) of J-!K flip-flop U43. If VDISP is low, the Text Counter resets to a count of 0; if VDISP is high, it resets to a count of 12.

Assume VDISP is active (low), which it is during the vertical display portion of the displayable area on the screen. (Refer to Figure 8-4.) U62 is then preset to a count of 0 and will count from 0 through 15 (16 character rows). The resulting carry output on count 15 of the Text Counter causes the U43 VDISP flip-flop to toggle. It also appears as a low on the load input of the Text Counter. The Text Counter is also enabled to reset by virtue of the OVERFLOW_LINE going low after the reset of the Scan Counter. Since VDISP is now high, the Text Counter is reset to a count of 12 and will count 12 through 15 (four character rows). The carry output from the Text Counter then causes the U43 VDISP flip-flop to toggle, and the Text Counter is reset to a count of 0. We can now see that the Text Counter counts 16 character rows when the display is active (VDISP is low) and four character rows when the display is blanked (VDISP is high). The total of 20 character rows represents a full display of 260 scan lines for 60 Hz operation (13 scan lines/row x 20 rows = 260 scan lines per page).

Horizontal and vertical synchronization signals are generated by two one-shot multivibrators consisting of three two-input NOR gates in U102. Horizontal sync is triggered by SCAN_ADVANCE and vertical sync by !VDISP. Both circuits generate fixed-length sync pulses with adjustable starting times. C52 determines the length of the horizontal sync pulse and C53 the length of the vertical sync pulse. The starting times, with respect to triggering, are variable with variable resistors VR1 (HORIZ) and VR2 (VERT) to provide continuous adjustment of the display position on the screen. An exclusive OR gate in U74 combines the two sync pulses into a composite sync (COMP_SYNC) signal. Note that the use of the exclusive OR inverts the horizontal sync pulses when the vertical sync pulse appears. Since vertical sync information is extracted in a monitor by an integrating, or averaging, process, this technique maintains horizontal synchronization during the vertical sync period.

Two types of blanking are available: control character blanking and video blanking. The first blanks control characters and causes cursor information to be displayed in their place. Video blanking forces portions of the video display to a white or black level, depending on whether normal or reverse video is selected with S1-4.

Control character blanking, switch selectable with S1-3, is accomplished with one NAND gate in U60 and one NAND gate in U61. When a control character is present in the Data Latch (U26 and U27), pins 3 and 15 of U26 are high. Assuming the blanking option is selected (S1-3 closed), the output of U60 (!LOAD_CLOCK) is gated with the control character bits by U61 to clear the video parallel-to-serial converter, U41. U41 then loads all zeros instead of the character.

Video blanking is initiated by the PRE_BLANK or COMP_BLANK (pin 14 of Blank Latch U42) inputs to U59, a three-input NOR gate. The third input, the video output on pin 6 of exclusive OR gate U74, is blanked when any of the two blanking inputs is active.

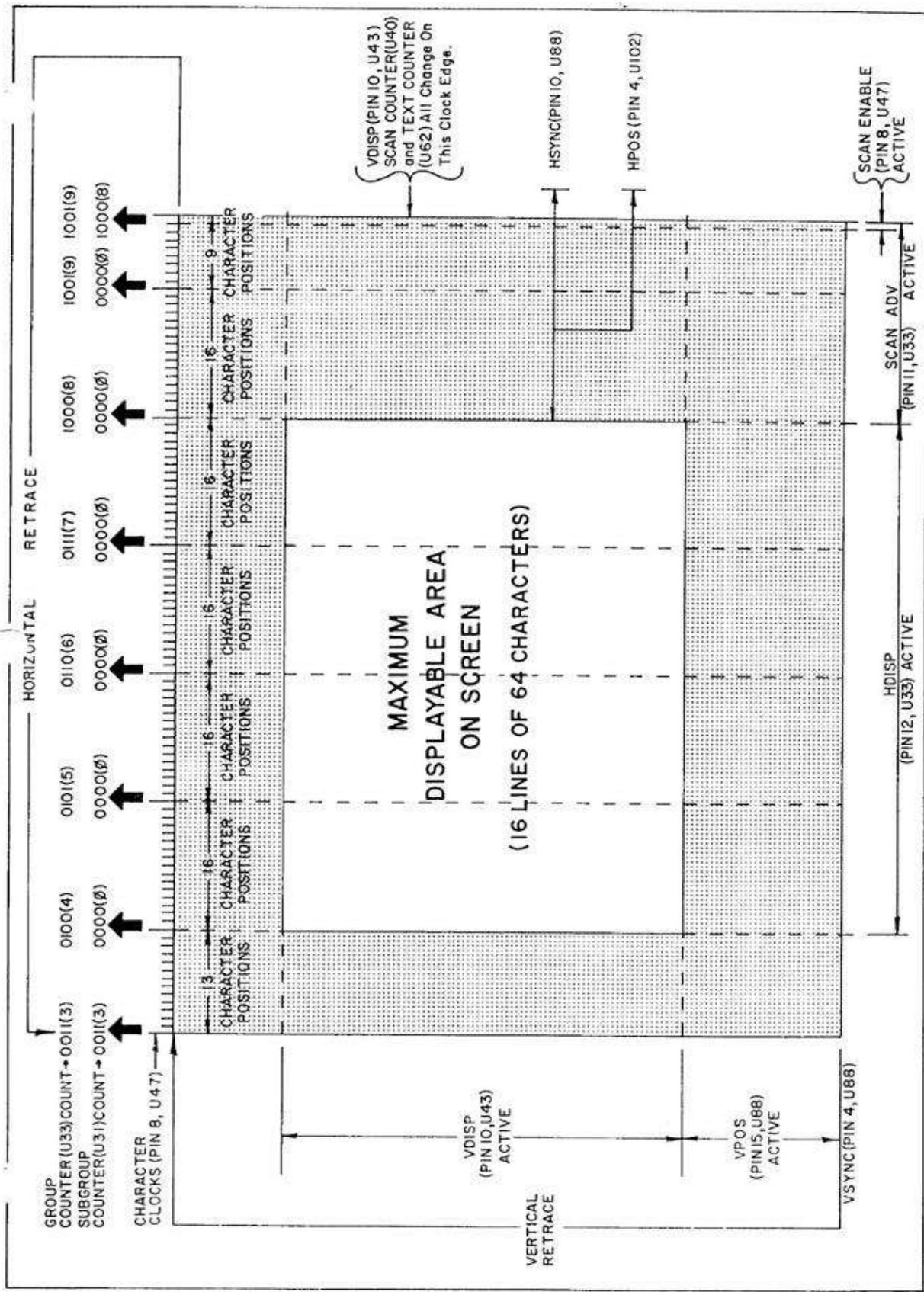


Figure 8-4. VIDEO DISPLAY TIMING

The PRE_BLANK input provides "window shade" blanking which is analogous to pulling a window shade down from the top of the display. PRE_BLANK is generated in one half of J-K flip-flop U43. U43 is reset by the TC output of First Screen Position Counter, U11, and set by VDISP. The output on pin 7 of U11 is generated by the scrolling circuitry (to be discussed later) and defines the character row for which the "window shade" ends. It may begin with any character row from zero through 14.

The remaining video blanking function concerns the output on pin 14 of D flip-flop U42. This signal, COMP_BLANK, is a composite of HDISP and VDISP.

Since there is a two character time delay between Display RAM addressing and the corresponding video output on pin 6 of exclusive OR gate U74, the horizontal and vertical blanking signals must be delayed an equal amount. U42, connected as a two-stage shift register, functions to shift the blanking into synchronization with the video. Since U42 is clocked by LOAD_CLOCK (which has a period equal to one character time), COMP_BLANK is delayed two character times from the input on pin 4 of U42. COMP_BLANK is active low during nondisplayable portions of the video scan to override any video input data on pins 1 and 2 of NOR gate U59. The display is thus blanked.

The Display RAM consists of eight 1K x 1 bit RAM (random access memory) chips, U14 through U28. All chips are held permanently enabled by connecting their CE (pin 13) inputs to ground. Memory addressing is provided through two-to-one multiplexers (U30, U32 and U12) which select one of two display address sources: 1) an external address on Address Bus bits ADR0-9 and 2) an internal address supplied by the Subgroup Counter (U31), Group Counter (U33) and the Beginning Address Counter (U1). The function of the address bits associated with each address source is as follows:

1. External address bits ADR0-5 specify the character position (one of 64) in the character row.
2. External address bits ADR6-9 specify the character row position (one of 16) on the display screen.
3. Internal address bits, a total of six outputs from U31 and U33, specify the character position (one of 64) in the character row.
4. Internal address bits, the four outputs from U1, specify the character row position (one of 16) on the display screen.

Normally the internal display address is multiplexed to the Display RAM. When the CPU or a DMA device requests access (!PAGE_CC active), the multiplexers switch to the external address lines, ADR0-9.

Seven-bit ASCII-coded data is written into RAM chips U14 through U20 from bits DIO0-6 of the Bidirectional Data Bus, and the cursor bit (DIO7) is written into RAM chip U21. This writing occurs when the write enable (WE) input to the RAM chips is low. This occurs when the Display RAM is addressed (!PAGE_CC active low) and MWRITE on S-100 Bus pin 68 is high. The enable is supplied on output pin 8 of NAND gate U44. Data is read out of the Display RAM when pin 8 of U44 is high. Data out of the Display RAM is placed on the Bidirectional Data Bus via tri-state drivers U29 and U89 when !PAGE_CC and PDBIN (S-100 Bus pin 78) are active. U29 and U89 are enabled by a low output on pin 11 of another U44 NAND gate.

Data out of the Display RAM is also strobed into Data Latches U26 and U27 by LOAD_CLOCK. Seven outputs from these latches are used to address the Character Generator ROM, U25. Note that the output from RAM chip U19 is inverted in exclusive OR gate U74 before being applied to the C input (pin 13) of U26, and the complement (pin 14) of the QC output of U26 is used in addressing U25. This is done so that the Data latches will output the space code (0100000) to the Character Generator ROM when the latches are reset. These latches are reset each time !PAGE_CC is active by way of U75, a J-!K flip-flop connected as a D flip-flop, and D flip-flop U42 (Q output pin 6). By outputting the space code on reset, the Data Latches insure a blank character position on the screen.

The Character Generator ROM, U25, has seven character address inputs (A1 through A7), four scan line inputs (RS1 through RS4) and seven data outputs (B1 through B7). It is programmed to generate seven bits (dots) of character information for the selected scan line of the character row. U25 also automatically blanks scan lines that are not a part of the character and shifts the g, j, p, q, y, comma and semicolon to the fifth through 13th scan lines in the dot matrix (refer to Figures 8-2 and 8-3 on Page VIII-24). Complete patterns for the 6574 and 6575 Character Generator ROM's are provided in Figures 8-5 and 8-6 respectively. Note that the address bits A0 through A6 in Figures 8-4 and 8-5 correspond to the A1 through A7 inputs to U25 on the schematic, scan lines R0 through R8 are specified by the RS1 through RS4 inputs to U25 on the schematic, and the data output bits D0 through D6 correspond to the B1 through B7 outputs from U25 on the schematic.

Let's see how the Character Generator ROM produces a character using an uppercase "C" and "T" as an example. In this example, these two characters are to be displayed in the first and second character positions respectively on the third character row of the display screen. Remember that the character position and row parameters are contained in the Display RAM since the 7-bit ASCII-coded

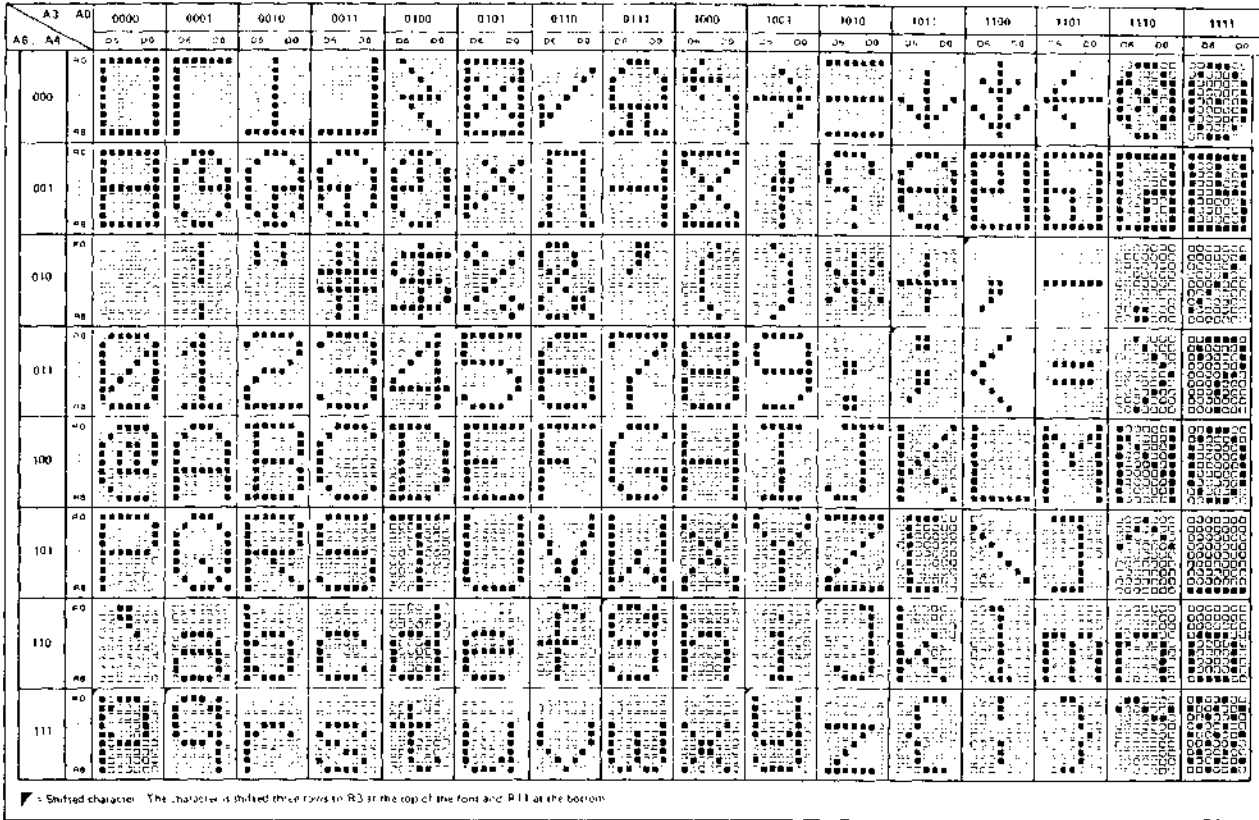


Figure 8-5. 6574 Character Generator ROM pattern.

"C" and "T" were stored in the RAM in the proper character positions in the third character row.

After the first two character rows have been displayed, the Scan Counter (U40) is reset to a binary count of 15 (1111) and the Character and Line Address Multiplexers (U30, U32 and U12) call up the "C" in the Display RAM. The Scan Counter output specifies line 15 in the Character Generator ROM on RSI through RS4. As previously mentioned, this line in the ROM is blank. Thus, the first scan line of the third character row is blank.

The 7-bit ASCII code for the "C" (1000011) is input from the Display RAM to address the Character Generator ROM by way of the Data Latches (U26 and U27). This address is applied to ROM inputs A7 through A1 (A6 through A0 in Figures 8-5 and 8-6). The Scan Counter changes to a count of zero which specifies scan line R0 in the Character Generator ROM. As shown in Figures 8-5 and 8-6, the ROM in turn outputs a 7-bit word, 0011110, on D6 through D0 respectively (B7 through B1 on the schematic).

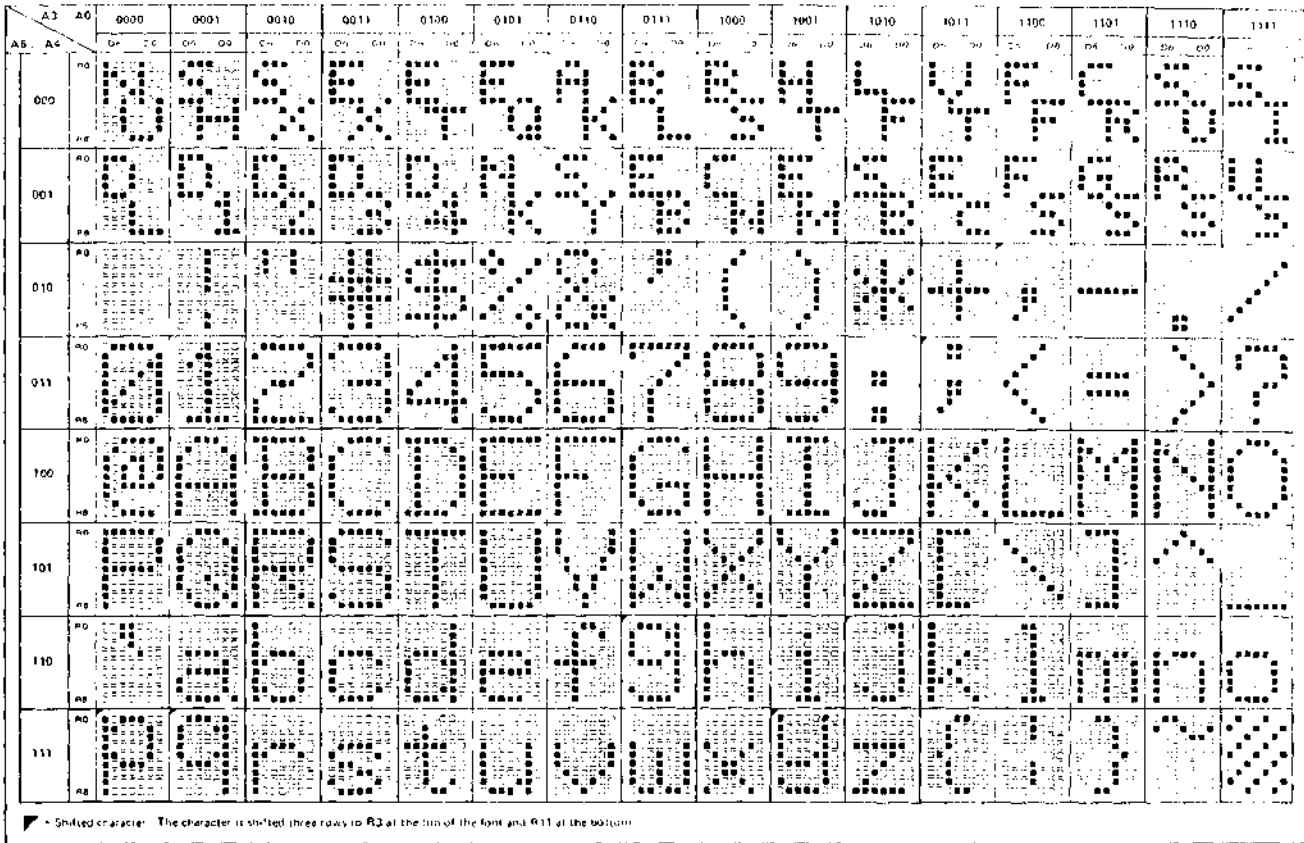


Figure 8-6. 6575 Character Generator ROM pattern.

For the second character position the Character and Line Address Multiplexers call up the "T" in the Display RAM. The resulting ASCII code for a "T" (1010100) ultimately appears on the address inputs to the Character Generator ROM. Since the Scan Counter is still at a count of zero, the ROM outputs 1111111. This process continues for the balance of the displayable portion of the video scan line.

At the end of the horizontal scan line, the Scan Counter changes to a binary count of 0001 which specifies scan line R1 in the Character Generator ROM. The "C" and "T" are again called up from the Display RAM for the first and second character position respectively. The ROM consequently outputs 0100001 and then 0001000. This sequence continues through scan line R8 when the Scan Counter is at a count of 8 (1000) to produce the "C" and "T".

As discussed earlier, the Scan Counter cycles through 13 counts or scan lines. For the "C" and "T" in our example, the Scan Counter has counted ten lines (15, 0, 1, 2, 3, 4, 5, 6, 7 and 8). The remaining three scan lines are not used in forming the "C" or "T", so on counts 9, 10 and 11 of the Scan Counter the Character

Generator ROM automatically outputs all zeros for these two character positions. After the last scan line in the third character row, the Scan Counter is reset to a count of 15 to start the fourth character row.

The Character Generator ROM output is converted from parallel to serial form in an 8-bit shift register (U41) that is clocked by DOT_CLOCK. For each high bit on the input, the serial output (QH, pin 13) of U41 is high for one DOT_CLOCK period. For each low bit, QH is low for one DOT_CLOCK period. Note that parallel input bit PH (pin 14) is tied to ground. This effectively adds a low bit (or dot) following the data and provides one of the spacer dots between characters. The second spacer dot is generated by connecting the serial input (pin 1) to ground and applying LOAD_CLOCK to the load (LD, pin 15) input to U41. When LOAD_CLOCK goes low, which it does every ninth DOT_CLOCK, U41 shifts in one zero.

A blink oscillator (two inverter sections in U88), a latch (one section in U42) and their associated components comprise the cursor circuit. The blink oscillator runs continuously at a rate set by R84 and C36. Its output has a nominal 0.5 sec period. If the blink option is selected with S1-5, the blink signal is applied to one input of a gate in U60. The other input to this gate is provided by the blink latch, one section in U41. If the cursor bit QA out of Data Latch U26 is high, D flip-flop U42 sets for the time the ROM is active on the character and remains set during the period when video data is shifted out of U41. The output of U42 is gated high through NAND gate U60 when BLINK (pin 6 of U88) is low. BLINK is held low when the blink option is not selected. The output of U60 is in turn gated with the video output of U41 in U74, an exclusive OR gate. U74 thus inverts the video if the output of U60 is high, and no inversion takes place if the output of U60 is low.

The video signal including the cursor, is gated to pin 9 of another U74 exclusive OR gate in the absence of any blanking signals at the other two inputs to NOR gate U59. If S1-4 is open, U74 inverts the video signal to produce a reverse (black on white) display. Raw video on pin 8 of U74 is supplied to pin 15 of J4. Video out on pin 6 of inverter U87 is combined with COMP_SYNC on pin 8 of another U87 inverter in a resistive mixer, R80-R82, to meet EIA composite video signal standards, and coupled to P1 for use by a video monitor. This mixer has a 61-ohm output impedance.

Both Beginning Address Counter U1 and First Screen Position Counter U11 are enabled to advance their counts when pin 9 of J-!K flip-flop U75 is low, which it is for about 600 nsec following !OVERFLOW_LINE; that is, after the Scan Counter (U40) is loaded. This, of course, occurs at the end of every scan line in the character row.

The scroll circuit consists of U1, U11, Scroll Control Latch U2 and Screen Position Control Latch U13 and their associated circuitry. U1 and U11 are up and down counters respectively that are pre-

set to the outputs of latches U2 and U13. U2 latches the starting row address from DIO0-3 and U13 latches the data on DIO4-7, with !PORT_OUT_FE being the strobe. Data on DIO4-7 specifies where the first line will be displayed. Thus, the number loaded into U1 is the address of the first displayable scan line, and the number loaded into U22 defines the character row (0 through 15).

U11 is preset by !VDISP from pin 9 of J-!K flip-flop U43. This means U11 is forced to its preset condition from the end of the displayed text to the top of the next character row. During this time, pin 6 of another U43 J-!K flip-flop is set high to preset U1. If U11 is preset to 0, its TC output on pin 7 is low and pin 6 of U43 is reset to a low. This allows U1 to count with each horizontal scan line.

If U11 is preset to any number other than 0, pin 6 of U43 cannot be reset low until U11 reaches zero. Assume U11 is preset to two. It must count down two character rows before U1 starts counting. During this time, pin 7 of U43 (PRE_BLANK) is low, and as previously discussed, the display is blanked.

We can now see that the PRE_BLANK time, often called "window shade", is variable with the number loaded into U11. Therefore, scrolling is performed by changing the numbers in U2 and U13 without the need to reposition the text within the Display RAM.

The remaining circuit in the Display Section consists of transistor Q2, one section of U87, U89 and U102. U88 and U102 are connected as a one-shot 250 msec timer that is triggered when !PORT_OUT_FE goes active (pin 1 of inverter U87 goes high). Thus, when data is loaded into U2 and U13, this timer starts. Tri-state driver U89, which is enabled by !PORT_IN_FE, transmits the state of this timer to D100 on the Bidirectional Data Bus. The CPU can consequently test the timer status by looking for a high on DIO0. This timing allows a 250 msec scroll rate without the need for complex timing routines in the CPU. Q2, R102 and C37 serve to speed up timer reset.

8.5.5 Audio Tape I/O

Refer to Audio Tape I/O Schematic in Section X, Page X-19.

Timing for the Audio Tape I/O is derived from the 1200, 2400, 4800, 19,200 and 38,400 Hz signals received from the Baud Rate Generator in the Input/Output section of Sol. The first two are used by the write data synchronizer (U100) and the digital-to-audio converter (U101).

The remaining three signals are fed to two sections of U111, a quad multiplexer or select gate. All four sections of U111 are used to select clocks for low speed or high speed operation according to the select inputs, pins 9 (A) and 14 (B). The states of these two select inputs must be complementary to each other in order to select

the high or low speed clocks. Specifically, A must be high and B low to select high speed clocks; the converse condition selects low speed clocks. The select inputs are supplied by TAPE_HI_SPEED and !TAPE_HI_SPEED.

The output of the second section on pin 11 of U111 is BYTE_WRITE_CLOCK, 4800 Hz on low speed and 19.2 KHz on high speed. The third section outputs a 19.2 KHz (high speed) or 38.4 KHz (low speed) timing signal to input pin 10 of binary up counter (U112).

RECOVER_CLOCK is produced by a phase locked loop (U110), another U112 binary up counter and the first and fourth sections of U111. The signal input (pin 14) to U110 is supplied from output pin 1 of D flip-flop U113. It is a constant frequency, regardless of whether one or two transitions are detected in the read data during the count out time (12 counts) of the U112 counter with outputs on pins 13 and 14. A phase comparator in U110 compares the signal input to the output of a voltage controlled oscillator (VCO) in U110 (pin 4). By feeding the VCO output through a counter (the other half of U112) before feeding the counter output back to the compare input (pin 3) of U110, the circuit acts as a frequency multiplier. The output of this circuit remains locked, therefore, to a multiple of the signal input on pin 14 of U110.

The output of U110 is nominally 19.2 KHz. The actual output is determined by the signal input which in turn is a function of tape speed. In other words, the phase lock loop circuit tracks input frequency variations. And it will track such variations within its locking range which is determined by the setting of variable resistor VR3 (connected to pin 12 of U110).

For high speed, the divide-by-four output of U112 (pin 4) is selected as RECOVER_CLOCK. For low speed, the VCO output of U110 is selected for RECOVER_CLOCK. This clock serves as read clock for the CDI UART, U69.

CDI control involves !PORT_IN_FA, !PORT_IN_FB, !PORT_OUT_FB, TAPE_CONTROL_1 and _2, POC (power on clear), TAPE_HIGH_SPEED and !TAPE_HI_SPEED. The last two were previously explained in the discussion of U111. !PORT_IN_FA strobcs the CDI UART status (DR, TBRE, OE and FE--refer to Page VIII-22 for definitions) to the Internal Data Bus, INT3-7. !PORT_IN_FB strobcs received data on pins 5-12 of U69 to the Internal Data Bus, INT0-7. !PORT_OUT_FB loads data from the Bidirectional Data Bus (DIO0-7) into U69. POC simply resets U69 whenever power is applied to the Sol.

TAPE_CONTROL_1 and _2 are used to turn one or two recorder motors on and off. An active low TAPE_CONTROL_1 energizes K1 to close its contacts and turn recorder #1 on; a high de-energizes K1 to turn the recorder off. TAPE_CONTROL_2 does the same thing with K2 to control another recorder. Diodes D13 and 14, which shunt K1 and K2

respectively, prevent damage to the logic circuitry in the Input/Output section due to inductive kickback. R155 and 156 are current limiters that keep the relay contacts from "welding" together.

When the CDI is in the write mode, data is input to the UART (U69) under control of !PORT_OUT_FB. Upon completion of this strobe, the transmit sequence is initiated within the UART, with the transmission rate being governed by BYTE_WRITE_CLOCK.

The transmission sequence begins with a start bit, a low (data zero) on the UART's TO output. It is followed by eight data bits and two stop bits (high on the UART's TO output), with the number of bits being fixed by the connections to pins 34 through 39 of U69.

The data from U69 is applied to the D input of D flip-flop U100 which is clocked at 1200 Hz. Consequently, the output on pin 1 of U100 follows the input data on pin 5 after the rising edge of the 1200 Hz clock. This output is connected to the reset (pin 4) of U101, so when the data out of the UART is high, the first section in U101 is forced to a reset condition. In this condition the J and K inputs to the second stage of U101 are held high which allows the flip-flop to change state on the rising edge of the clock.

The clock for U101 (OUTPUT_CLOCK) is 2400 Hz in the high speed mode or 4800 Hz in the low speed mode. This clock is derived from 2400 Hz in conjunction with the low speed select signal in NAND gate U98 and exclusive-OR gate U99.

In the high speed mode, pins 12 and 13 of U98 are held low, thus holding pin 10 of U98 high. As a result the 2400 Hz signal is inverted in U99 to become the clock for U101.

Pins 12 and 13 of U98 are held high, however, in the low speed mode to enable U98. In this case R117 and C47 provide a delay in the U98 gate. When the 2400 Hz signal on pin 2 of U99 changes state, so does pin 3 of U99. Also, C47 charges through R117 for several usec, at which point pin 10 of U98 is brought to the opposite polarity. The output from U99 then goes high. A series of positive pulses, with a pulse width approximately equal to the R117, C47 time constant (10 usec) and occurring at every transition of the 2400 Hz signal, appears on pin 3 of U99. This circuit thus operates as a frequency doubler in the low speed mode to provide a 4800 Hz clock for U101.

The 2400 Hz signal from which the U101 clocks are derived also produces the 1200 Hz clock signal for U100. As a result the 1200 Hz signal changes state following a propagation delay after the 2400 Hz signal falls.

As previously stated, the second stage of U101 is allowed to change state on the positive going transitions of the OUTPUT_CLOCK as long as the data out of the synchronizer is a "1". The end result is an output on pin 14 of U101 that is one-half the clock frequency (1200 Hz and 2400 Hz in the high and low speed modes respectively).

Assume the data stream out of the UART goes low ("0"). On the next rising edge of the 1200 Hz signal, U100 will reset with Q low and !Q high. A low reset on pin 4 of U101 enables the first U101 stage to toggle on the next rising edge of the OUTPUT_CLOCK which occurs 1/2400 second after the synchronizer output falls. Remember that OUTPUT_CLOCK moves from a low to a high shortly before the 1200 Hz signal did. The reset on pin 4 of U101 is thus removed slightly after the OUTPUT_CLOCK occurred. With the J and K inputs to the first U101 stage high, its output will change state on each succeeding low to high transition of OUTPUT_CLOCK. The second U101 stage in turn can only toggle on the positive going transition of OUTPUT_CLOCK when its J and K inputs are high. Since the inputs are high at one-half the clock rate, by virtue of the first U101 stage, the second U101 stage toggles at one-fourth the OUTPUT_CLOCK rate.

The two sections of U101, therefore, operate as a frequency divider, dividing the OUTPUT_CLOCK by two when the write data is a "1" and by four when the data is a "0". Thus, in the low speed mode, four cycles of the 1200 Hz represent a "0" and eight cycles of 2400 Hz represent a "1". In the high speed mode, one cycle of 1200 Hz represents a "1" and one-half cycle of 600 represents a "0".

The output on pin 14 of U101 is applied to one section in U109 which provides sufficient current drive for the divider network. This divider and a jumper arrangement allow selecting one of three outputs to be fed to the audio output jack J6. The I-to-J jumper selects a 500 mv signal for the auxiliary input to an audio recorder; the I-to-H jumper selects a 50 mv signal for the microphone input to an audio recorder.

When the CDI is in the read mode, data from the recorders enters on J7. This input is fed to the negative input (pin 6) of operational amplifier U108.

The first section of U108 is a high gain amplifier, with its gain (approximately 100) being determined by R142 and R143. The output from this amplifier is coupled to input pin 2 of the following U108 stage and the base of a Darlington pair (Q4 and Q5) which provides high current gain.

Current into the base of transistor Q5 causes C67 to discharge. (C67 charges through R39 to 5 V dc.) The voltage on C67 in turn controls the gate of field effect transistor (FET) Q3. Q3 functions as a variable resistor which can be changed by its gate voltage. Since Q3 is connected between ground and the input network to the

first U108 stage, it serves as a variable shunt. A low gate voltage on Q3 decreases the shunt resistance and the input to U108. In a like manner, a high voltage on C67 results in an increased input to U108. Q3, Q4 and Q5 with their associated circuitry, therefore, serve as an automatic gain control (AGC) circuit which limits the input to the second U108 stage to approximately a positive 2 volt peak signal.

The second stage of U108 is a comparator with hysteresis that performs the needed audio to digital conversion. Feedback resistor R147, in conjunction with R145, establishes the level on the positive input (pin 3) of U108. This level, be it positive or negative, is the threshold voltage, ± 50 mv, which the negative input (pin 2) must exceed in order for the output of U108 to switch levels, positive to negative and the converse. Since the feedback loop is regenerative, U108 switches at its maximum rate, and U108 switches on each transition of the audio signal input. It is in this manner that U108 performs the audio to digital conversion.

The digital output of U108 is inverted in one section of inverter U109 and applied to pin 9 of exclusive OR gate U99 which is connected as a buffer without inversion. If the output of U109 is low, the output on pin 10 of U99 is also low and the output on pin 4 of another U99 exclusive OR gate is high. The voltage across C49 under this condition is minimal. When the output of U109 goes high, C49 starts to charge through R118 until pin 9 of U99 crosses the threshold of that gate. At this point pin 10 of U99 goes high, and since the two inputs to the second exclusive-OR gate are both high, pin 4 of U99 goes low. C49 now discharges because pins 9 and 10 of U99 are at the same level so that the circuit can repeat the operation on the next high to low transition at pin 4 of U109. R118, C49 and U99 consequently serve as a transition detector that produces a pulse less than one microsecond long for each transition of the output on pin 4 of U109, regardless of the polarity of the transition.

Transition pulses from U99 clock both D flip-flops in U113. A transition pulse clocks the top U113 at pin 3 which sets Q (pin 1) high and \bar{Q} (pin 2) low to enable up binary counter U112 on pin 15. Pin 1 is applied to the T) input (pin 9) of the lower U113 and the circuit remains in this state until one of two things occurs: 1) a second transition pulse arrives before U112 reaches count 12 or 2) U112 reaches count 12.

If a second transition pulse arrives before count 12, the bottom U113 stage is set and presents a "1" to the D input (pin 9) of flip-flop U100. This is clocked by the $\bar{!Q}$ output on pin 2 of U113 as a low to pin 12 of U100.

If a transition pulse does not arrive before count 12, the bottom U113 stage outputs a "0" to input pin 9 of U100. On count 12, the C and D outputs of U112 go high to reset U113 by way of U98 at pin 4. As a result the U100 clock goes high, as does pin 12 of

U100. The output on pin 12 of U100 is inverted by U109 and applied to the receive input (pin 20) of the UART.

The Q output on pin 1 of U113, which occurs at the actual bit rate of the incoming data, is also used by the receive clock circuitry to reconstruct the receive clock from the data signal. Received data undergoes serial-to-parallel conversion in the UART and is placed on the R01-8 data outputs of the UART when ROD (pin 4 of the UART) is low (!PORT_IN_FB active) and onto INT0-7. Four status outputs from the UART can also be enabled when SFD (pin 16) is low. These four bits are FE (framing error), OE (overrun error), DR (data ready) and TBRE (transmitter buffer regis-ter empy).

8.6 KEYBOARD

8.6.1 Block Diagram Analysis

A simplified block diagram of the keyboard is provided on Page X-25 in Section X.

The Clock Oscillator produces the basic timing signals for the keyboard, and they are distributed as indicated.

At the heart of the keyboard is a Key Switch Capacitive Matrix which can be viewed as a 16 x 16 X-Y matrix, with X being the column and Y the row. Conceptually, a key depression increases the capacitance between the X and Y coordinates that uniquely define that key.

The Column Scanner supplies a pulse train to the X lines in the matrix, with only one line being pulsed at any given point in time. When a key is depressed to increase the capacitance between the Column Scanner output and a Row Scanner input, the X-Y coordinates for that key are detected to provide an input to the Sense Circuit.

The Sense Circuit in turn generates an input to the Sequence Detector when a key closure occurs. This detector basically detects key closures and count cycles of the Row Scanner to discriminate against false key signals and insure that valid closures are serviced in order.

In the absence of key closures, the Sequence Detector feeds PKD to the Sense Circuit to increase its threshold. This action serves to increase the circuit's noise immunity. On valid key closures, the PKD input is such as to decrease the Sense Circuit's threshold. When valid key closures exist, the Sequence Detector strobes data into the Output Latch. The low order four bits to this latch are supplied by the Row Scanner; the high order four bits are

supplied by the Encoding ROM, with the data being determined by inputs from the Column Scanner and Function Latch Decoder. This strobe (Data Out) also enables the Strobe Generator to output !STROBE a 6 usec pulse that signals the Sol CPU that the Keyboard is ready to send data.

Eight bits of keyboard data (KBD0 through KBD7) are stored in the Output Latch. KBD0 through KBD6 represent the ASCII code for the character associated with the key closure, or closures, that initiated the Data Out strobe from the Sequence Detector. KBD7 is used only for special control characters (e.g. MODE SELECT, CLEAR and cursor movement) that are recognized by the Sol program. The data on KBD0-7 is input to the Sol CPU when it issues !PORT_IN_FC (refer to Paragraph 8.5.2 on Page VIII-14).

The Repeat Counter is enabled when the REPEAT key and a character key in the Key Switch Capacitive Matrix are pressed at the same time. When this occurs, Key Out (initiated by the character key closure) is active, and the Repeat Counter generates a periodic Repeat Strobe. This strobe disables the Sequence Detector and causes the Strobe Generator to output repetitive !STROBE pulses. Column 30 also prevents the Sequence Detector from strobing additional data into the Output Latch.

The Function Latch and Decoder latches and decodes the Low Order Count from the Row Scanner when the "function key" column in the Switch Matrix is selected by the Column Scanner. It then outputs, as appropriate, !LOCAL, !RST and !BRK to J1 and SHIFT/SHIFT_LOCK, UPPER_CASE and CONTROL bits to the Encoding ROM. The latter three supply three of the seven address bits to the ROM which specify the high order four KBD bits (KBD4-7).

All keyboard outputs are supplied to J1 which is connected to J3 on the Sol-PC.

8.6.2 Circuit Description

Refer to the Keyboard schematic in Section X, Page X-23.

Keyboard operation is controlled by a 3 usec clock circuit consisting of NAND gate U7, R7 and C7. U7 is connected as a Schmitt trigger inverter with negative feedback through R7 and C7. The output on pin 11 of U7, a square wave with a 3 usec period, is inverted in U4 (a NAND gate connected as a simple inverter) and applied to the clock input (pin 11) of U8. U8 operates in a toggle mode by virtue of feeding its !Q output on pin 8 to the D input on pin 12. Thus, its output state changes on each clock to produce a 6 usec and an inverted 6 usec clock on pins 9 and 8 respectively.

Each of these outputs is connected to a section of U7 where each is AND'ed with the 3 usec clock. This generates two negative going clocks at pins 8 and 6 of U7. These outputs are called ! ϕ 1 and

ϕ_2 respectively. This circuit thus generates a symmetrical two phase clock, with each phase having a 6 usec period with a 1.5 usec negative going pulse.

ϕ_1 advances the cascaded ripple counter, U5 and 6, in the Column Scanner circuit (U5, U6, NAND gates U4 and decoders U17 and U21). U6 divides ϕ_1 by two on each advance. The output on pin 12 is consequently a square wave with a 12 usec period, the output on pin 9 is a square wave with a 24 usec period, and so on to pin 11 which has a 96 usec period. The output on pin 11 is then divided by two in U5 to provide 192, 384, 760 and 1536 usec periods. We will call these Clock_1 for the 12 usec period, Clock_2 for the 24 usec period, Clock_4 for the 48 usec period, and so on from Clock_8, _16, _32, _64 and _128.

Clocks_16, _32 and _64 are applied to the A, B and C inputs of binary-to-decimal decoders U17 and U21. In order for these decoders to yield outputs, their D inputs (pin 12) must be low. U4 is used to enable one or the other of these inputs, with Clock 128 being the determining factor. When Clock_128 is low, U17 is selected through U4 when ϕ_1 is high at pin 4 of U4. U21 is selected when Clock_128 is high and ϕ_1 is high at pin 13 of U4. By AND'ing ϕ_1 and Clock_128, neither decoder is selected when ϕ_1 is low, the time U5 and U6 count. During this time false binary signals can appear on the outputs of U5 and 6.

The net effect is that only one of the 15 outputs from U17 and 21 will be low, and this low advances on each count advance. The low outputs of U17 and 21 drive the column lines in the key switch matrix.

Clocks_1 through _8 are connected to analog multiplexers U19 and U22. Only one channel from input to output is connected at one time. Note that Clock_8 and ϕ_1 from U6 enable U19 and U22 respectively. U19 and U22 (the Row Scanner) thus scan through the 16 rows in the sequence indicated by the numbers contained within the "boxes" of the key switch matrix. An entire scan of the rows is made before the next column is selected by U17 and 21.

We now have U17 and U21 driving the column lines and U19 and U22 testing each row line by connecting it to an input to the Capacitance Key switch (KTC) Detector. These two inputs are normally high at 5 volts. Within the switch matrix there is a small capacitance connected between each column and row line; that is, there is a capacitance associated with each key on the keyboard. When a key is depressed on the keyboard, the capacitance associated with that key increases. When the column and row lines associated with that key are selected, there is a significant voltage difference between the two and the capacitance charges to produce a small negative going spike at the input to the Capacitance Keyswitch Detector.

This detector circuit consists of three transistors, Q7, Q8, and Q9 (connected as a linear amplifier with negative feedback) followed by Q4 and Q2. Q4 and Q2 are large signal amplifiers biased in their cut-off region. The input to the detector is selectively connected to +5 V dc by way of the analog multiplexers (U19 and U22), the row matrix wires, and the 33K resistors. A key depression causes a negative current pulse through R16 to the base of the input amplifier transistor, Q8, which is biased near cut-off. The pulse is then amplified by Q8 with inversion to appear as a positive pulse at the input of Q7. Q7 is an emitter follower circuit which gives a positive pulse at its output, across R18, at a low impedance. This signal is coupled back to the input through transistor Q9, a common base amplifier which has its base clamped to 2.5 V dc by zener diode CR4. When the positive pulse appears at the emitter of Q9, it is amplified without inversion and applied to the input of Q8. Since the original input was a negative pulse, the positive pulse constitutes negative feedback. The output across R18, a positive pulse, is further amplified by pulse amplifier transistor Q4, a common base amplifier that is normally biased off. The output stage Q2 is biased in the cut-off region also, but a sufficient positive pulse from Q4 will cause Q2 to conduct to give a negative pulse output across R12.

Transistors Q1, Q6, Q5 and Q3, represent a second pulse amplifier circuit that is analogous to transistors Q9, Q8, Q7 and Q4 respectively. The output of this second amplifier, which appears at the collector of Q3, is also connected to the base of the output transistor Q2. An input pulse from either U19 or U22 will therefore supply an amplified negative pulse to pin 13 of NOR gate U14.

The !PKD signal through R24 helps to set the threshold at the base of Q4 and Q3. This threshold is normally high when !PKD is high, so the output from Q7 and Q5 has to overcome a higher threshold at the emitter of Q4 and Q3 in order to cause conduction of Q4 and Q3. On the second such pulse on the same count address, !PKD goes low to reduce the threshold at the bases of Q4 and Q3. This sensitizes the circuit, acting as a positive feedback path, and gives an output. Thus two consecutive detections of a key stroke are necessary to give an output. This feature provides noise immunity since a single noise pulse will not pass through the amplifier. The complete key switch matrix is scanned at a very high rate compared to the time it takes to physically press and release a key. Thus a key closure will be detected, even though the key is not held down for any appreciable time.

Two sections of NOR gate U14 are connected as a cross-coupled flip-flop. A low on pin 13 of U14 sets output pin 11 of U14 high, providing that the low is longer than 1.5 usec (which it is when a valid key closure is detected). That is because ! ϕ 1 is applied to pin 9 of U14. ! ϕ 1 effectively prevents switching noise, which is short in duration, from being interpreted as a key closure. The high, let's call it KEY, on pin 11 of U14 will remain until ! ϕ 1 again goes low about 4.5 usec later.

KEY is fed to pin 5 of 8-input NAND gate U25, pin 9 of ROM U20 and pin 1 of NAND gate U27. Let's examine the other inputs to U25.

KEY, as mentioned, is fed to pin 9 of U20 which is a 256 x 4 bit static ROM. Only two bits are used. For each possible row-column combination, there is one storage location in U20. DI1 and DO1 (pins 9 and 11) are the input and output respectively of one bit location; DI2 and DO2 serve the same functions for the other bit location. The row count is applied to A0-4 and the column count is applied to A5-7 to address U20.

When a key closure is detected, the counts are presented to U20 continuously. When the counts change shortly after the falling edge of $\phi 1$, U20 outputs the status of the address that is already stored in the ROM about 1 usec later on pin 10. On the rising edge of $\phi 1$ after the address change, the status on pin 10 is latched in one-half of D flip-flop U26 and presented at output pins 9 and S. About 1.5 usec later the R/W signal on pin 20 of U20 goes low, and the KEY signal on pin 9 enters the specified location in U20. Note that this KEY is related with the new count address. The key stored in U26 represents the preceding address. We consequently call the KEY in U26 "KEY_minus_1", and it is applied to pin 11 of U25.

The remaining inputs to U25 are 1) $\phi 2$ (an inverted $\phi 2$) on pin 12, 2) a repeat strobe signal on pin 4 (supplied by pin 11 of NAND gate U16 which is high without a repeat command), 3) PKD_minus_1 on pin 6 (supplied on pin 3 of U26 which is low if three or more count cycles have occurred since one key closure), and 4) the column output on pin 4 of U17 which is applied to pins 1, 2 and 3. The last signal drives the column associated with the special function keys on the keyboard (SHIFT, SHIFT_LOCK, LOCAL, BREAK, UPPER_CASE, REPEAT and CONTROL).

In order for U25 to output a low on pin 8, therefore, we need a current KEY, a KEY from the preceding count cycle, no repeat function, no drive on pin 4 (column 30, hexadecimal), and we must be on the second count cycle during the current key depression.

With these conditions satisfied output pin 3 of U25 goes low. It is inverted by U10 to a high on pin 11. This signal then clocks the output latches, U1 and 2. On this signal, the data present on the inputs are latched into U1 and 2, and it remains latched until the next output on pin 8 of U25 occurs.

A low on pin 8 of U25 also resets one-half of D flip-flop U11 at pin 13 which causes output pin 9 to go low. On the rising edge of the inverted 6 usec clock from US, the second U11 stage sets and out-

put pin 5 goes low to clear the first stage. The high on output pin 6 is inverted by NAND gate U10 to supply a low active !STROBE on pin 3 of J1. (Note that J1 on the keyboard connects to J3 on the Sol-PC.) The next inverted ϕ clock resets the second U11 stage. We thus have a 6 usec strobe pulse following the latching of data into U1 and U2.

The complement of KEY_minus_1 on output pin 8 of U26 is fed to input pin 10 of NAND gate U16 and is translated to a high on pin 8. The other input on pin 9 is high at this time since it is driven by the signal which indicates the third count cycle. A three-input NAND gate, U27, thus has a high on pin 2. A second input on pin 1 is KEY which is active (high) from the first count cycle of the key closure. The remaining input on pin 13 is supplied by pin 11 of U16, and it is low only when the repeat function is operating. U27 is consequently satisfied and outputs a low on pin 12.

This low appears at pin 5 of NOR gate U16. Pin 4 of U5 is high at this point by virtue of a low on pin 1 of U16 which indicates the third count. Thus, the high on pin 6 of U16 will be stored in the second bit location U20 when ! ϕ 2 goes low at pin 20 of U20. When this happens D02 (pin 12) of U20 goes high to indicate the new status of this bit.

The D02 output is inverted in U10 and applied to input pin 2 of another U26 D flip-flop and to the Capacitance Keyswitch Detector as PKD. PKD serves to lower the detector threshold; that is, the detector offers less "resistance" to its input. This is positive feedback that allows the detector to discriminate between noise and a key closure. Note that two key closures are required before the detector threshold is lowered.

The inverted D02 output from U20 also appears at the D input (pin 2) of U26. Since this flip flop is clocked by ! ϕ 1, the prior status of !PKD, called "!PKD_minus_1", is already present in this latch on output pin 5. If we are on the second count cycle of a key closure, pin 5 is high. If we are on the third count or more, it is low to inhibit U25. As previously mentioned, !PKD_minus_1 is also connected to the NOR gate (U16) used to feed data to pin 11 of U20 from KEY_minus_1.

When the current KEY signal is released, pin 12 of NAND gate U27 and pin 5 of NAND gate U16 go high. The U16 NAND gate that inputs to pin 4 of U16 looks at KEY_minus_1 on pin 2 and the complement of !PKD_minus_1 on pin 1. Thus, pin 1 is high for the first one and a half counts and pin 2 is high for the first count. Upon release of KEY, therefore, pin 3 of U16 is low for the first count. On the second count, KEY_minus_I goes low--as do pin 6 of U16 and pin 12 of U20. On the next ! ϕ 2 clock, the data is read into U20. The output on pin 12 of U20 changes to remove !PKD which increases the Capacitance Keyswitch Detector threshold for greater noise immunity. It also sets !PKD_minus_1 on pin 5 of U26 on the third count cycle

following release of KEY. On the third cycle the circuit reverts to its original state.

This circuit, comprised of U20, U26, U16 and U17 serves two functions. By requiring two events during two consecutive count cycles before generating a KEY, it discriminates against false key closures. It also insures that multiple key strokes are serviced in order. (This is the n-key rollover feature.) That is because the row-column addresses are continuously presented to U20 and this circuit's cycle can occur for each possible key closure. U20 can thus contain data for all possible key closures, and the data will enter U1 and U2 on the KEY generated for each closure as the row-column count progresses.

The previously mentioned column 30 output on pin 4 of U17 drives the keyboard control key "switches". Data for these key closures, present on pins 1, 2 and 3 of addressable latch U12 is latched in U12 during Clock 8 and ϕ_2 when column 30 is driven. Pin 13 of U12 is connected to the complement of PKD_minus_1. Thus, the data (active low) is strobed into U12 on the first count cycle. During the third count it will be strobed again and a high is read in. When the key is released, a low is strobed in again. As a result, a high active pulse appears on the output line related to the key that was closed for the duration of the key closure.

SHIFT and SHIFT_LOCK, on pins 11 and 10 respectively, are applied through U23 inverter stages to NOR gates U13 and U14. These are connected as a cross-coupled flip-flop. An active SHIFT sets this flip-flop at pin 5 of U13 to make output pin 6 of U13 and output pin 3 of U14 high. The latter is connected to pin 3 of U18, a 512 x 4 bit ROM. U18 is programmed to output the high-order four bits of the data to U1 according to the states of pins 1, 2 or 3.

The U13-14 flip-flop is set to a high on pin 6 if SHIFT_LOCK is active. As can be seen, the shift bit to U18 is high by virtue of the low on pin 6 of U13 and it will remain so until SHIFT again causes U13-14 to change state. When output pin 6 of U14 is high, pin 12 of U24 is low to turn light emitting diode LED1 on. This LED is located in the SHIFT_LOCK key and indicates the keyboard is in a locked shift condition.

When UPPER_CASE is active, pin 7 of U12 goes high to clock D flip-flop U15 on pin 3. This flip-flop is connected to operate in a toggle mode. On the UPPER_CASE "clock", pin 5 of U15 goes to make pin 2 of U18 low. The high on pin 6 of U15 is inverted by U24 to turn on LED2. LED2 is located in the UPPER CASE key. A second closure of this key toggles U15 to the opposite condition.

Now assume the LOCAL key is depressed, the output on pin 5 of U12 goes active high to clock the other D flip-flop U15 stage at pin 11. This stage also operates as a toggle, and output pin 9 goes low to become LOCAL on pin 14 of J1. Again, the high on output pin 8

causes LED3, the LOCAL light, to turn on. A second closure of the LOCAL key toggles this section of U15 to the opposite condition. Note that LOCAL has no affect on keyboard data.

The other outputs from U12 are BREAK (pin 12), CONTROL (pin 6) and REPEAT (pin 9). BREAK is inverted in U23 to become !BRK on pin 4 of J1. CONTROL is applied directly to input pin 1 of U18 so that the control character related to the low order bits enters U1 and U2.

REPEAT is applied to pins 10 and 11 of NAND gate U27 and pin 13 of NAND gate U16. The input to U27 is gated with UPPER_CASE to generate !RST at pin 13 of J1. This means, of course, that REPEAT and UPPER_CASE must be depressed at the same time to generate !RST.

On pin 13 of U16, REPEAT enables that gate so that U16 transmits the output on pin 9 of U9. U9 is connected as a two-stage shift register whose input (pin 2) is ground. It is clocked by clock_128 from U5.

U9 is initially set with output pins 5 and 9 high during the third count cycle by PKD_minus_1. This is also the time when U12 outputs data. If the key is released, U9 clears to a low on pin 9 five count cycles following KEY. If the key is held down, U9 cannot shift since PKD minus 1 remains on preset input pins 4 and 10.

When REPEAT exists at pin 13 of U16, pin 11 of U16 is low to inhibit U25 and U27 at pin 13. This prevents further KEY signals and disables the n-key rollover circuitry. The low on pin 11 of U16 is also inverted by open collector inverter U24 to enable the repeat oscillator (timer U3, R4, R5 and C3). U3 generates a square wave on pin 3 with a period determined by the RC network.

This clocks the first stage of D flip-flop U11, the !STROBE generator, and U11 produces the previously discussed 6 usec !STROBE. U11 continues to generate !STROBE at the repeat oscillator rate until either the REPEAT or character key is released. And with each !STROBE, of course, the data associated with the character key is latched into U1 and U2.

Eight ASCII-coded data bits are output by U1 and U2 to J1 as indicated. Seven bits (0-6) are used for ASCII characters, and the eighth bit (7) is set only for certain control characters that are recognized by the Sol program. These are used for control functions such as MODE_SELECT and cursor movement.

The remaining circuit, R32 and C14, initializes the keyboard when power is applied. That is, it resets the output latches and the SHIFT/SHIFT_LOCK, UPPER_CASE and LOCAL flip-flops. It also inhibits STROBE at pin 1 of NAND gate U10.

SECTION IX

SOFTWARE

So1 TERMINAL COMPUTER™

Processor
Technology

9.1 CONSOL

CONSOL is a 1024 byte program designed to allow the Sol TERMINAL/COMPUTER to operate as a standard CRT terminal and to provide access to the essential computer capabilities of the Sol. Using CONSOL, self test and small diagnostic programs can be entered to system memory and executed. This in addition to providing verification of correct system operation helps in finding errors in case of a malfunction.

In addition, CONSOL contains standardized entry points for all normal I/O operations. These routines are common with all Sol System Software allowing each personality module in the Sol line to interface with external programs in an almost identical manner.

A cassette read routine is also resident in the CONSOL module allowing Sol Software to be loaded and run in a system with additional memory. Sol System Software as of November 1976 includes BASIC, FOCAL, a Scientific Calculator and numerous "game" packages including a 8K assembly language version of STARTREK called TREK80.

When power is applied to the Sol unit, CONSOL initializes the system RAM area, clears the screen, and enters the terminal mode.

In this mode the Sol System acts as a standard CRT terminal sending keyboard data to an output port and displaying received data on the screen. The COMMAND KEYS of the keyboard are not transmitted to the output port but are interpreted as direct internal operation keys. CURSOR MOVEMENT, HOME and CLEAR SCREEN all operate in this manner, while MODE SELECT causes an immediate change in the operation of the unit.

When the MODE key is depressed CONSOL issues a prompt character (>) and waits for a command line to be input. The Sol is now operating as a computer and is ready to accept one of the following commands:

DUmp	Dump memory locations to screen
ENter	Enter data to memory
EXecute	Execute a program in external memory
BAsic	Execute a program located at address zero
TErминаl	Return to terminal mode
TLoad	Load program or data from cassette tape
MODE	Press MODE SELECT key to start new command line

9.1.1 DUmP (addr) (addr)

The DUmP command displays memory data on the screen in a Hexidecimal representation. As with all Sol commands the command is recognized by the first two characters and up to ten additional characters can be input without an error being forced.

Thus, DU; DUST; DUMP; DUMPTHESE would all be recognized as being a DUmP command.

At least one address must follow the command or a error displayed on the screen. If two addresses are input then all values from the first address to the last will be displayed.

```
DUMP 0      EF
```

Up to ten blanks may be inserted between each parameter without forcing an error condition. Errors are indicated by a question mark (?) replacing the character where the error occurred. For example if the DU command were given without an address the question mark would appear ten spaces to the right of the "U".

9.1.2 ENter addr

The ENter command places sequential bytes into memory beginning at the specified address. Data, represented as hexadecimal values, are input from the keyboard for entry to memory. All CONSOL commands except MODE SELECT are executed when the RETURN key is pressed. After the ENTER, (address), RETURN sequence the Sol Displays a colon (:) prompt character. Values are then input one line at a time with each line terminated by a carriage return or linefeed. The ENter function itself is terminated with a slash (/) and the Sol goes back to the command mode when the slash is encountered.

With all command functions of CONSOL, input lines are terminated with a carriage return or line feed. If the terminator is a C/R, CONSOL will erase all characters from the current cursor location to the end of the screen line. In this case, all valid input should be to the left of the cursor. If an error occurred during input the cursor may be moved to the left using the "cursor-left" key and the erroneous characters changed. A linefeed would then be used as a terminator since LF does not erase the line prior to processing the characters. This is particularly useful when using the ENter command since the input line can be visually scanned and errors corrected prior to the actual entry of input data to memory.

9.1.3 TLoad (speed)

Included within COINSOL are routines to read standardized cassette tape Software which is recorded with a sixteen byte header that includes NAME, LOAD INFORMATION, FILE TYPE and execute address. CONSOL, because of space limitations, is unable to search for a

program or file by name. After receiving the TLoad command, CONSOL turns on the cassette player and waits for the next header, then uses the header information and loads the file to memory. The cassette recorder must be in play mode and properly connected before executing the TLoad command.

After loading the data, CONSOL returns to the command mode where the EXEC command can be used to execute the just loaded program. Also, a return can normally be made to the command mode by pressing the MODE SELECT key. Space limitations again limited escape during the header search, so if the system locks up in this routine the standard Sol restart must be used. To restart the Sol press UPPER CASE and REPEAT keys simultaneously.

The CUTS cassette interface electronics within the Sol will record or receive data at either of two standard speeds. TLoad will accept a parameter to select this speed, 0 being high speed and 1 being low. (1200 and 300 bits per second respectively). If no parameter is given CONSOL will default to high speed operation as all standard Processor Technology Sol-System Software is recorded at this speed.

9.1.4 EXecute addr

The execute command is used to run programs located in external memory. CONSOL branches to the external routine in a manner similar to an 8080 CALL instruction so the program can return to the command mode using a standard 8080 RET instruction if normal stack operations are used.

9.1.5 BASic

The BASic command is provided for executing programs whose starting address is 0, such as Sol-BASIC5.

9.2 STANDARD I/O ROUTINES

All Sol System personality modules contain similar I/O code for input/output operations. CONSOL, using 1K of memory, has routines for KEYBOARD and SERIAL PORT input as well as Serial Communications Channel and VIDEO DISPLAY OUTPUT. Although the same code for SOLOS and SOLED contains expanded functions, the I/O operations appear almost identical when used with external software.

Sol-BASIC5, for example, performs all I/O using the jump table of the personality modules. Thus, without altering BASIC the user may output to either the serial port or to the display screen. Provision is also made within BASIC to programatically change to any of the four available Input or Output options. CONSOL is of course limited to the two provided.

SOLOS^{T.M.}

CUTTER^{T.M.}

USER'S MANUAL



Processor Technology Corp.
6200 Hollis St.
Emeryville, CA 94608
(415) 652-8080



Software Technology Corporation
P.O. Box 5260
San Mateo, CA 94402
(415) 349-8080

SOLOS^(tm) / CUTER^(tm)

USER'S MANUAL

PROCESSOR TECHNOLOGY CORP.
6200 Hollis Street
Emeryville, CA 94608

(415) 652-8080

SOFTWARE TECHNOLOGY CORP.
P. O. Box 5260
San Mateo, CA 94402

(415) 349-8080

(C) 1977 by Processor Technology Corporation

I M P O R T A N T N O T I C E

This copyrighted software product is distributed on an individual sale basis for the personal use of the original purchaser only. No license is granted herein to copy, duplicate, sell or otherwise distribute to any other person, firm or entity. This software product is copyrighted and all rights are reserved.

S O F T W A R E W A R R A N T Y

Software Technology-Corporation warrants this Software Product to be free from defects in material and workmanship for a period of three months from the date of original purchase.

This warranty is made in lieu of any other warranty expressed or implied and is limited to repair or replacement, at the option of Software Technology Corporation, transportation and handling charges excluded.

To obtain service under the terms of this warranty, the defective part must be returned, along with a copy of the original bill of sale, to Software Technology Corporation within the warranty period.

The warranty herein extends only to the original purchaser and is not assignable or transferable and shall not apply to any software product which has been repaired by anyone other than Software Technology Corporation or which may have been subject to alterations, misuse, negligence, or accident, or any unit which may have had the name altered, defaced or removed.

P R E F A C E

This manual describes the use and operation of either SOLOS^(tm) or CUTER^(tm). SOLOS is a program designed to be a personality module in a Sol^(tm). CUTER is a program designed to provide much of the power of SOLOS for the non-Sol user. Because SOLOS and CUTER have been designed to be compatible operating systems, this manual will refer to SOLOS meaning the SOLOS/CUTER operating system. The few differences between SOLOS and CUTER will be stated explicitly.

^(tm)SOLOS, CUTER and Sol are trademarks of Processor Technology Corporation.

SOLOS/CUTER User's Manual

TABLE OF CONTENTS

I. INTRODUCTION	
Definition of Terms	1
Quick Command Reference List	2
II. CONSOLE COMMANDS	
Console Commands in Brief	4
Console Commands in Detail	
Execute Command	4
Enter Command	4
Dump Command	4
Terminal Command	5
Custom Command	5
III. TAPE COMMANDS	
Tape Commands in Brief	6
Tape Commands in Detail	
Get a File from Tape into Memory	7
Get, then Execute	7
Save a File	7
Catalog a File	7
IV. SET COMMANDS	
SOLOS' Ten Set Commands	9
Set Commands in Detail	
Set Speed of Display	9
Input/Output Commands	9
Set Out Command	9
Set In Command	10
Set Tape Command	10
Set Type Command	11
Set Execute Command	11
Custom Input/Output Commands	11

SOLOS/CUTER User's Manual

TABLE OF CONTENTS (cont.)

IV. SET COMMANDS (cont.)

Set CRC Error Checking Command	12
Set Number of NULLS Command	12

SUBROUTINES

A. Introduction to SOLOS Machine		
Language Interface	14
Pseudo Ports for SOLOS	14
Pseudo Ports for CUTER	14
Defined Register Usages	15
SOLOS Jump Table - Defined	15
Jump Table	16
B. System Entry Points	17
C. SOLOS Input Entry Points		
SINP	17
AINP	17
D. SOLOS Output Entry Points		
SOUT	17
AOUT	18
E. SOLOS VDM Display Driver	18
F. Cassette Tape Entry Points to SOLOS	19
File Header	19
Block Access	20
Read Tape Block Routine	20
Write Tape Block Routine	21
Byte Access	21
File Open Routine	22
Write Byte Routine	22
Read Byte Routine	23
Close File Routine	23
VI. LOADING & EXECUTING CUTER	24

I. INTRODUCTION

SOLOS is a 2048 byte program that configures the Sol-20 and one or two cassette tape recorders into a powerful, stand-alone computing system. SOLOS takes advantage of the Sol-20's built-in hardware peripherals and the 8080 instruction set to optimize the convenience and power of the inherent computer capabilities of the Sol.

Outstanding features of SOLOS include...

- **STANDARDIZED I/O SOFTWARE PROTOCOL** which makes all Sol-20 I/O (keyboard, display, serial, parallel and cassette) accessible to external programs from one entry point--a standard feature in all future Sol system software products that will require less memory than would normally be used for I/O routines.
- **SOFTWARE INTERFACE** permits user defined routines for custom applications.
- **"INDUSTRY STANDARD-SETTING" CASSETTE I/O CONTROL** includes methods for loading and saving programs and commands that execute programs after automatic loading.
- **EXCLUSIVE CASSETTE I/O ROUTINES** allow cassette files to be accessed on a byte-by-byte basis as though each file were a byte-by-byte device. Thus, data transfer to and from cassettes appears as normal I/O--and two cassettes can be used simultaneously to assemble and edit programs.
- **NEW DISPLAY CONTROL** features found only in expensive video terminals--including ESCAPE sequences for cursor positioning and character speed control.
- **19 COMMANDS** to access the basic requirements of the Sol-20 control cassette tape recorders and set up special conditions in SOLOS. (See the "Quick Command Reference List".)

Definition of Terms

In this manual:

addr means word address hexadecimal characters, (0-FFFF)
range

data means hexadecimal characters, (0-FF) range

file means a collection of data

name means any one to five character identification for a
file

port means a SOLOS pseudoport from 0 to 3

unit means a number of 1 or 2 corresponding to the
appropriate tape recorder

() means optional parameters

INTRODUCTION (cont.)

Only the first two letters of the command expressions must be typed when entering a command expression. (The underscored letters in the following Quick Command Reference List.)

Quick Command Reference List

COMMAND	FUNCTION
<u>Console</u>	
<u>EXEC</u> addr	Begin program execution at 'addr'
<u>ENTR</u> addr	Enter data into memory starting at 'addr'
<u>DUMP</u> addr1 (addr2)	Dump memory data, 'addr1' to 'addr2'
<u>TERM</u> (portin (portout))	Enter Terminal Mode
<u>CUST</u> name (addr)	Insert or remove a custom command
<u>Tape</u>	
<u>GET</u> (name(/unit) (addr))	Get a tape file into memory
<u>SAVE</u> name (/unit) addr1 addr2 (addr3)	Save a file from memory to tape
<u>XEQ</u> (name(/unit) (addr))	Get then execute a tape file
<u>CAT</u> (/unit)	Catalog tape files
<u>Set</u>	
<u>SET</u> <u>S</u> =data	Screen character rate
<u>SET</u> <u>I</u> =port	Input port to SOLOS
<u>SET</u> <u>O</u> =port	Output port to SOLOS
<u>SET</u> <u>N</u> =data	Number of NULLS following CRLF
<u>SET</u> <u>XEQ</u> addr	Auto-execute addr
<u>SET</u> <u>TAPE</u> 0 or 1	0=1200 baud, 1=300 baud
<u>SET</u> <u>TYPE</u> data	Type 'byte' header
<u>SET</u> <u>COUT</u> addr	Custom output addr
<u>SET</u> <u>CIN</u> addr	Custom input addr
<u>SET</u> <u>CRC</u> data	Allows ignoring of tape CRC Read Errors

I. INTRODUCTION (cont.)

With a Sol, or CUTER on a Processor Technology GPM board, a power-on performs a reset which causes a SOLOS system reset. The Sol user may initiate this system reset anytime by simultaneously pressing the upper case and repeat keys.

A SOLOS system reset enters SOLOS into COMMAND mode. When in COMMAND mode, SOLOS will do a Carriage Return-Line Feed (CRLF) followed by a prompt (>). SOLOS then awaits the entry of a COMMAND. A COMMAND is processed upon receipt of a Carriage Return (CR). Pressing the MODE (or Control-@) key while awaiting a COMMAND causes the current COMMAND input line to be ignored and return to COMMAND mode. CUTER also resets the current I/O pseudo port selections to the system default.

The MODE (or Control-@) key is also used to abort the execution of most commands. This use of the MODE (or Control-@) key turns off both tape machines (if on) and returns to COMMAND mode.

II. CONSOLE COMMANDS

Console Commands in Brief

SOLOS has five console commands. They are:

<u>Command</u>	<u>Function</u>
<u>EXEC</u> addr	Begin program execution at 'addr'.
<u>ENTR</u> addr	Enter data into memory starting at 'addr'.
<u>DUMP</u> addr1 (addr2)	Dump memory data, 'addr1' to 'addr2'.
<u>TERM</u> (portin (portout))	Enter Terminal Mode (available under SOLOS only)
<u>CUST</u> name (addr)	Insert or remove a custom command.

Console Commands in Detail

Execute Command EXEC addr

This command begins program execution at memory location specified by (addr).

Example: EXEC 200

Enter Command ENTR addr

Example: ENTR 500

: C3 00 01 1000: 05/

Result: Beginning at memory location 500, the following data was entered: C3 00 01. The new memory location of 1000: was selected to enter the data 51. The slash (/) terminated the ENTR command and returned to command mode.

Dump Command DUMP addr1 (addr2)

This command displays sequential memory data on the screen starting at location (addr1) and ending with (addr2).

Example: DUMP C02E C037

Result: C02E E1 DB FA 2F E6 01 C8 DB FC C9

 Dumped the SOLOS keyboard input routine.
 (See listing.) Starting at memory location
 C02E and ending at memory location C037.

II. CONSOLE COMMANDS (cont.)

Terminal Command TERM (port-I (port-O)) (Available under SOLOS only)

This command causes the Sol system to become a video terminal for connection to an external computer or modem. This command begins by automatically setting the I/O pseudo ports to the specified values. An omitted port parameter will be set to 1. Execution then proceeds by sending all Sol keyboard entries (except cursor control) to the specified Output pseudo port. Any input available from the Input pseudo port will be processed by the SOLOS display driver.

Example: TERM

Result: Keyboard data will be sent to the serial port and all data from the serial port will appear on the display screen.

Custom Command CUST name (addr) definition/removal

When a non-SOLOS command is entered, a separate table of custom commands (in RAM) will be searched. The CUST command is used to enter and remove up to six custom command names from the custom command table. (Only the first two letters of the name are significant.) When the name (2 to 5 letters) specified by the CUST command is not already in the custom command table, a new custom command will be entered into the table having an execute address as specified. When the addr is not specified, the beginning address of SOLOS will be used.

When the name specified on the CUST command already exists in the custom command table, this table entry will be replaced with an 'end-of-table' indicator. Therefore, not only will the specified name be removed, but any other custom command names following in the table will also be removed.

Example: CUST BASIC 0
CUST ALS8 E060

Result: Two new custom commands are now known.
ALS8 at location E060, and
BASIC at location 0.

III. TAPE COMMANDS

Tape commands are used to control the tape cassette recorders. In these commands, unit selection is optional, with a default selecting unit 1. When a unit is specified, however, it must be separated from the file identification name with a slash (/) and without spaces in between: e.g., TARGT/2.

Tape Header

At the start of each tape file is header information. This information includes the following data:

name: name of file, 5 ASCII characters or less
type: number is specified by user at time file is created
addr: starting address of file
size: number of data bytes in file
XEQ addr: auto-execute address word (See Set Commands - Section IV)

Error Messages

Cassette error messages are printed in this format:

"ERROR (name) (type) (addr) (size)"

Reasons for an error message are:

1. bad read of file (tape error or CRC ERROR)
2. MODE (or Control-@) key used for escaping while reading a tape file
3. XEQ command given to a non-executable file.

Tape Commands in Brief

SOLOS has four tape commands. They are:

GET (name (/unit) (addr)) Get a file from tape to memory
SAVE name (/unit) addr1 addr2
(addr3) Save file
XEQ (name (/unit) (addr)) Get, then execute, a file
CAT (/unit) Catalog of tape files

III. TAPE COMMANDS (cont.)

Tape Commands in Detail

Get a file from tape GET (name(/unit) (addr))

This command transfers the specified or next tape file into memory. If a (name/unit) is given, this command will search forward on the cassette until that file is found. The (addr) parameter, if given, specifies the memory location at which the file will be loaded. If the addr is omitted, the file will be loaded as specified in the header.

Example: GET TARGET/2

Result: Gets the program WARM from tape unit #2 into memory as specified by the tape file header information. Returns to SOLOS command mode.

Get, then Execute XEQ (name(/unit) (addr))

This command is an extension of the GET command which gets a tape file and executes as specified by the header information. The (/unit) and (addr) are optional and operate the same as with the GET command.

Example: XEQ FOCAL

Result: Gets, then executes, a program named "FOCAL" from tape unit 1.

Save a file SAVE name (/unit) addr1 addr2 (addr3)

This command transfers program or data onto a tape cassette file name (name) starting at (addr1) and ending at (addr2). The name of the file becomes part of the tape's header information. SET TYPE and SET XEQ commands affect the header information on the tape file. The optional addr3 specifies the address (if different than addr1) to be entered in the tape header.

Example: SAVE CHASE/2 0 1FF

Result: Saves onto tape unit 2 a program named "CHASE" starting at location 0000 and ending at location 1FF.

Catalog of files CAT (/unit)

This command will start the tape unit specified and list each tape file header information.

Example: CAT /2

Result: SLOPE 0500 0200
 HUM 0500 0B00

III. TAPE COMMANDS (cont.)

Note: A very useful feature of the CAT command is to apply power to the tape units when needed to rewind tape. Depressing the MODE (or Control-@) key will remove power from tape unit and return to COMMAND mode.

IV. SET COMMANDS

SOLOS has 10 set commands. They are:

<u>SET</u> <u>S</u> =data	Screen character rate
<u>SET</u> <u>I</u> =port	Input port to SOLOS
<u>SET</u> <u>O</u> =port	Output port to SOLOS
<u>SET</u> <u>N</u> =data	Number of NULLS following CRLF
<u>SET</u> <u>XEQ</u> addr	Auto-execute addr
<u>SET</u> <u>TAPE</u> 0 or 1	0=1200 baud, 1=300 baud
<u>SET</u> <u>TYPE</u> data	Type 'byte' header
<u>SET</u> <u>COU</u> T addr	Custom output addr
<u>SET</u> <u>CIN</u> addr	Custom input addr
<u>SET</u> <u>CRC</u> data	Allows ignoring of tape CRC Read errors

Set Commands In Detail

Set Speed of Display SET S=0-FF

This command determines character display rate to the screen:

data = 0 - Fastest

data = FF - Slowest

Input/Output Command Parameters

The next two SET commands affect SOLOS input and output command parameters.

Set Out Command SET O=port

This command selects the output driver routine to which SOLOS routes data. Under SOLOS, COMMAND mode text is always sent to the display screen. Under CUTER, all output goes to the current Output pseudo port. In all cases, the output from each command is sent to the current output pseudo port.

V. SET COMMANDS (cont.)

The Output Pseudo ports command parameter values are:

- 0 = Video Display
- 1 = Serial Output Port
- 2 = Parallel Output Port
- 3 = User Defined by SET COUT command

Example: SET O=1
 DUMP 0 2F

Result: Select serial output port. 'Dump 0 2F' would be displayed, but the data would go to the serial output port.

Set In Command SET I=port

This command selects the input driver routine to SOLOS. All future input commands would come from the new selected input pseudo port.

The Input Pseudo port parameter values are:

- 0 = Keyboard
- 1 = Serial Input Port
- 2 = Parallel Input Port
- 3 = User defined by SET CIN command

Example: SET I=1

Result: SOLOS would expect the next command to come from the serial port input routine. The Sol keyboard would have no affect except to simultaneously hit repeat and upper case keys to reset the computer.

Cassette Tape Parameter Commands

The Following SET commands affect the cassette tape parameters:

Set Tape Command SET TAPE 0 or 1

This command selects one of two standard speeds.

- 0 = 1200 baud high speed
- 1 = 300 baud low speed

Normally set to 0.

IV. SET COMMANDS (cont.)

Set Type Command

SET TYPE data

This command sets (data) values into the 'type' byte in the tape header information when used in conjunction with the SAVE command. The 'type' byte data is entered as a hexadecimal value, but it will appear on the screen as an ASCII character when displayed by the GET or CAT command. Only displayable characters should be used for type values (data). The most significant bit of the type value determines if the tape file can be executed automatically by an XEQ command. (0 = Auto-execute, 1 = Not executable.) Typing of tape files can be very useful in grouping common files.

Example: SET TYPE 47

47 = 'G' character for GAME FILES
Sign Bit = 0, auto-execute

SET TYPE 50

50 = 'P' character for PROGRAM FILES
Sign Bit = 0, auto-execute

SET TYPE C4

C4 = 'D' character for DATA FILES
Sign Bit = 1, non-execute

Set Execute Command

SET XEQ addr

This command sets the auto-execute address (addr) word into the tape header information when used in conjunction with the SAVE command. This address word is used by the XEQ command after loading a tape file to begin program execution at location specified by tape header information (addr). Note that the 'TYPE' byte determines if the file is of the auto-execute type.

Example: SET XEQ 200

Result: The auto-execute address of 200 Hex will be written onto the tape header when the next SAVE command is issued.

Custom Input/Output Commands

The next SET commands set address pointers to custom input and output driver routines when 'SET I=3' and/or 'SET O=3' are used. These custom I/O drivers must meet the SOLOS I/O drivers requirements. See the SOLOS software listing for model input routine.

Set Custom Output Command

SET COUT addr

This command informs SOLOS software where the user defined output routine specified by 'addr' is located.

V. SET COMMANDS (cont.)

The Custom Output driver requirements are:

1. The 'addr' (address) word in the SET COUT command will equal the starting address of the output routine.
2. It is the user's responsibility to save registers prior to any modification of the register.
3. The "B" register will contain the data passed from SOLOS for output routine.
4. The output routine will end with a 'RET' instruction or equivalent.

Set Custom Input Command

SET CIN addr

This command informs SOLOS software where the user defined input routine specified by 'addr' is located.

The Custom Input driver requirements are:

1. The 'addr' address word in the SET CIN command will equal the starting address of the input routine.
2. It is the user's responsibility to save registers prior to any modification of the register.
3. The input routine combines actually inputting the character along with STATUS. The routine returns either a zero flag indicating no character is available or the character in Register "A" with a non-zero flag. The calling program can then take appropriate action based on a zero or non-zero condition.

Set CRC Error Checking

SET CRC data

This command is used to specify whether or not the standard CRC error checking routines are to be used. When a value of FF is specified, all further tape reads will ignore CRC errors. Any value other than FF indicates standard error checking is to be in effect. This command is very useful to allow a tape to be read in which would otherwise not be readable. When CRC errors are being ignored, it must be remembered that the data read in may not be valid.

Example: SET CRC FF

Result: CRC error checking will be set to ignore all CRC errors.

Set Number of NULLS

SET N=data

This command sets the number of nulls (binary zeroes) to be output following a carriage return-linefeed (CRLF) sequence. The value is

IV. SET COMMANDS (cont.)

initialized to zero but may be set to any number up to FF (hex). This command is useful when using output devices requiring a delay following a carriage return.

Example: SET N=3

Result: Every CRLF issued by SOLOS will be followed by three nulls.

V. SUBROUTINES

A. Introduction to the SOLOS Machine Language Interface

The Machine Language Interface with SOLOS is based on:

1. A predefined set of 'pseudo' I/O ports allowing software compatibility as well as providing an easy means of supporting any I/O device.
2. A system defined register usage when interfacing with SOLOS.
3. A system jump table of entry points.

First are the pseudo ports. Built into SOLOS are four input and four output pseudo ports. I/O requests made to a pseudo port are converted internally to a request either to a specific device, a built-in routine, or a user written routine. All non-tape I/O requests made to SOLOS are made with reference to one of the following pseudo ports.

PSEUDO PORTS FOR SOLOS

<u>Pseudo Port</u>	<u>Input</u>	<u>Output</u>
0	Keyboard	VDM driver
1	Serial port	Serial port
2	Parallel Port	Parallel Port
3	User written routine	User written routine

PSEUDO PORTS FOR CUTER

<u>Pseudo Port</u>	<u>Input</u>	<u>Output</u>
0	Keyboard data from parallel port 3, not KDR status, on port 0; bit 0.	VDM driver
1	Serial port 1, RDA status on port 0, bit 6.	Serial port 1, TBE status on port 0, bit 7.
2	Parallel port 2 with not-PDR status on port 0, bit 2.	Parallel port 2 with not-PXDR status on port 0, bit 1.
3	User written routine.	User written routine.

V. SUBROUTINES (cont.)

Second are the defined register usages when interfacing at the machine language level with SOLOS.

Whenever a machine program is executed by SOLOS (via the EXEC or XEQ command, or via a custom command), the stack pointer and HL registers are predefined by SOLOS >. The stack pointer is set such that the user may perform stacking operations which will use the SOLOS stack. The SOLOS stack begins at the end of the SOLOS RAM area and works its way down from there. Excessive use of this stack can destroy data maintained by SOLOS within its RAM area. The stack is also prepared so that the user may issue a standard RET instruction to return control to SOLOS command mode processor.

The HL register pair is initialized to point to the very beginning of SOLOS. It is at this point that the SOLOS jump table begins. The user program may then use the address presented in the HL register pair as the beginning of the jump table.

This address is provided for two reasons:

1. CUTER may be located at any address in memory, providing the means for programs to function with CUTER located at any address, and
2. the first byte of the jump table for SOLOS is different from the first byte for CUTER, providing an easy means of distinguishing between SOLOS and CUTER.

Third is the SOLOS jump table (see next page). All requests to SOLOS should be made based on this jump table and not to the actual routine addresses as scattered throughout SOLOS. By using only this jump table, the user can be assured of maintaining compatibility between SOLOS and CUTER.

V. SUBROUTINES (cont.)

JUMP TABLE

<u>Address</u>	<u>Label</u>	<u>Length</u>	<u>Function</u>
C000	START	1	This byte allows power-on reset of SOLOS. It is 00 for SOLOS and 7F for CUTER, providing an easy means of differentiating the exact operating system in use.
C001	INIT	3	This is a "JMP" to the power-on reset.
C004	RETRN	3	Enter at this point to return control to SOLOS command mode processor.
C007	FOPEN	3	Enter here to open a tape file.
C00A	FCLOS	3	Enter here to close a tape file.
C00D	RDBYT	3	Enter here to read a byte from an open tape file.
C010	WRBYT	3	Enter here to write a byte to an open tape file.
C013	RDBLK	3	Enter here to read one tape block into memory based on a header.
C016	WRBLK	3	Enter here to write one tape block from memory based on a header.
C019	SOUT	3	Enter here to output the character in register "B" to the current system output pseudo port. This is always an "LDA" pointing to the byte containing the current system output pseudo port value.
C01C	AOUT	3	Enter here to output the character in register "B" to the pseudo port specified in register "A".
C01F	SINP	3	Enter here to obtain status/character from the current system input pseudo port into register "A". This is always an "LDA" to the byte containing the current system input pseudo port value.
C022	AINP	3	Enter here to obtain status/character from the input pseudo port specified in the "A" register. On return, register "A" will contain the character with the flags set to indicate whether a character is present or not.

V. SUBROUTINES (cont.)

B. System Entry Points

There are actually only two system entry points within the SOLOS jump table. Entry at these points does not require that any register be initialized. The first (at either label "START" or "INIT") is used to perform a complete power-on system reset. As a part of the system reset, the system RAM area data used by SOLOS will be cleared. The only reason for entering via "START" or "INIT" is that the power-on circuitry requires a one byte instruction to allow various circuits to stabilize. The other use of the byte labeled "START" is to determine if a user program is being executed under SOLOS or is CUTER controlled. When under SOLOS, this byte will be zero. When under CUTER, this byte will be non-zero.

The other system entry point ("RETRN") is used to return to SOLOS command mode. This entry point does not perform a system reset.

C. SOLOS Input Entry Points

SINP entry point address C01F

This entry point will set register "A" to the current system input pseudo port. The current system input pseudo port is changed by the "SET I=" command. After setting register "A", this command proceeds by executing an "AINP". (See below.)

AINP entry point address C022

This entry point is used to input one character or status from any pseudo port. Register "A" on entry indicates the desired input pseudo port from 0 to 3. Because this entry point is a combination status/get-character routine, it is the user's responsibility to interpret return flags properly. When a character is not available, the zero flag will be reset and the character will be placed into register "A". What this means is that, if the user wants to wait for a character to be entered, simply follow the CALL AINP (or SINP) with a "JZ" jump-if-zero instruction back to the call. A combined status/get-character routine is very important when allowing user written input routines.

D. SOLOS Output Entry Points

SOUT entry point address C019

This entry point will set register "A" to the current system out-put pseudo port. The current system output pseudo port is changed by using the "SET O=" command. After setting register "A", this command proceeds by executing an "AOUT". (See next definition.)

V. SUBROUTINES (cont.)

AOUT entry point address C01C

This entry point is used to output one character to any pseudo port. Register "A" is assumed to be a binary value from 0 to 3 indicating the desired output pseudo port. Register "B" will contain the character to be output. On return, the PSW and Register "A" are undefined. All other registers are as they were on entry.

E. SOLOS VDM Display Driver

Because the VDM is much more powerful than a standard hardcopy device, the built-in VDM driver supports many expanded functions. The following characters, when sent to the VDM driver (output pseudo port 0), cause special functions to be performed:

<u>Hex</u>	<u>Character</u>		<u>Function</u>
01	Control-A	(SOH)	Move cursor left (wrap mode) one position.
0B	Control-K	(VT)	Clear screen; position cursor at home.
0D	Control-M	(CR)	Clear remainder of line; then move cursor to beginning of same line.
13	Control-S	(DC3)	Move cursor right (wrap mode) one position.
17	Control-W	(ETB)	Move cursor up (wrap mode) one line.
1A	Control-Z	(SUB)	Move cursor down (wrap mode) one line.

The escape key (hex code 1B) is also a special character to the VDM driver. It initiates what is known as an escape sequence. The escape character is always followed by one or two hexadecimal values (bytes) which indicate what expanded function is to be performed. The following lists the escape sequences and corresponding results. Where a third byte must follow the escape, this will be represented by (##), indicating that this third byte actually contains a value being passed to the VDM driver.

<u>Escape sequence</u>	<u>Function</u>
1B 01 ##	Place the cursor onto position (##) of the current display line. (##) is in the range 00 - 3F.
1B 02 ##	Place the cursor onto line number (##) of the display screen. (##) is in the range 00 - 0F, with the topmost line being line 00.
1B 03	Pass back the current cursor line/character position in Registers BC. Register "B" is set to the character position (00-3F), and Register "C" is set to the line position (00-0F).
1B 04	Pass back the memory address of the current cursor location into Registers "BC".

more escape sequences . . .

V. SUBROUTINES (cont.)

<u>Escape sequence</u>	<u>Function</u>
1B 05 ##	
1B 06 ##	
1B 07 ##	The third byte is output to the VDM at the current cursor position exactly as is, regardless of this byte's value. No check is made of this character (##). Being a control character, it is only placed into the VDM memory as-is, and the cursor is advanced one position.
1B 08 ##	The display speed is set to the value (##) specified. The speed ranges from 00 (fastest) to FF (slowest).
1B 09 ##	This functions the same as escape sequence 01. The cursor is positioned to character position ## of the current display line.

F. Cassette Tape Entry Points to SOLOS

SOLOS contains subroutines to handle data transfer to and from two cassette units. Both block-by-block and byte-by-byte access are available. While performing any tape read, the user can return to the present calling software program by pressing the MODE (or Control-@) key.

In block transfers, each request results in tape movement and a transfer of an information block to or from a location in memory. SOLOS uses block-by-block access to provide the tape commands.

In byte transfers, on the other hand, SOLOS buffers the data into 256 byte blocks, doing cassette operations only once per 256 transfers. BASIC uses byte-by-byte access for data files. Other programs--such as editors, assemblers or special user-written programs--can also call the byte-by-byte routines if a few specific conventions and calling sequences are followed.

File Header

The file header for SOLOS provides specific attributes to a file. These attributes consist of a five ASCII character name and a file type.

File name serves two functions:

1. It permits easy human identification of the file, and
2. It provides the identification for which SOLOS searches to find the correct file.

File type is used in SOLOS to prevent certain operations, such as automatic XEQ, if the file is not of the proper type.

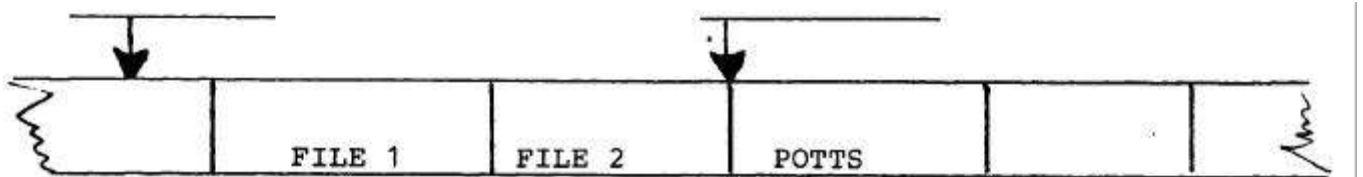
V. SUBROUTINES (cont.)

When calling open the register, pair "HL" should point to a memory location that contains the header. Following is the layout of a SOLOS file header:

NAME	ASC	'12345'	A five character name with trailing binary zeroes.
	DB	0	Should always be zero.
TYPE	DB	'B'+80H	File type. If Bit 7=1, then this is a data file (not executable).
SIZE	DW	LENGTH	Length of file in number of bytes.
ADDR	DW	FROM	Address at which file is to be read to or from which it is to be written.
XEQ	DW	EXEC	Auto execute address (ignored for data files).
	DS	3	Space - not currently used by SOLOS.

As previously mentioned, SOLOS uses the name to find the correct data for the file operations. Assume you were about to read data from a file named POTTs, for example, and you had correctly opened the file with a header pointing to that name. SOLOS, when you first requested a data transfer, would read past File 1 and File 2 (as shown below) and then read data from the POTTs file.

Beginning position of tape Beginning of file to be read
(current position)



Block Access

The Block Access method invokes no management by the system. Each 'call' to the 'Read' or 'Write' routines performs a complete cassette operation. Read and Write routines are used by SOLOS for GET and SAVE commands and serve as examples of the calling conventions for RDBLK and WRBLK routines.

Read Tape Block Routine

RDBLK

The entry point for RDBLK is C013.

On entry: Register A contains Unit and Speed data with bit 5 (speed) 0 for 1200 baud (or 1 for 30 baud); bit 7=1 for Tape 1; bit 6=1 for Tape 2; and all other bits=0.

V. SUBROUTINES (cont.)

Registers H & L contain the address of file header information.

Registers D & E contain the address-of where the file is to be loaded into memory. (If set to 0, this information is taken from file header information on tape.)

On exit: Normal return: Carry Flag is cleared, and data has been transferred into memory.

Error return: On errors, or user pressing MODE (or Control-@) from keyboard, the Carry Flag is set.

Write Tape Block Routine WRBLK

The entry point for WRBLK is C016.

On entry: Register A contains unit and speed with the same bit values as specified for RDBLK.

Registers H & L contain file header address. The file header information will be written onto the specified tape unit followed by the data.

On exit: Normal return: Carry Flag is-cleared, and data has been transferred to tape.
There are no error returns.

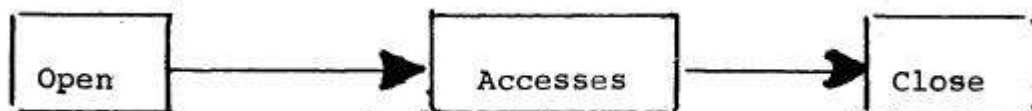
Byte Access

Data stored on, or about to be stored on, a tape should be considered a file. In a SOLOS file, data is stored one byte at a time as a string of bytes along the tape with no assumed meaning or structure. It is simply a collection of bytes that can be accessed by someone with responsibility for the intelligence of the data.

When writing to tape, SOLOS records the data in a form that allows the data to be read from the tape later. When reading from tape, SOLOS provides the management to access each byte sequentially.

SOLOS also provides start and stop control of two units. File operations view unit 1 as File 1 and Unit 2 as File 2. Thus, data in Unit 1 is associated with File 1, and data in Unit 2 is associated with File 2.

When using Byte Access, two important user management operations are necessary. As shown in Figure below, the first is to open a file to tell SOLOS you want to access the file. The second is to close a file to inform SOLOS you are finished with it.



V. SUBROUTINES (cont.)

SOLOS provides entry points to Open, Read, Write and Close tape files. Each of these routines requires that certain conventions be followed to ensure accurate data transfers.

File Open Routine FOPEN

The Open routine sets up certain internal parameters to keep track of data requests. This operation should be called only once prior to the first access of the file. The File Header information is the same format as in the Block Access mode and is used in both reading and writing of files. If the Byte Accesses are of the Read type, SOLOS will search the tape file until the correct file 'name' is found as specified by the File Header information. On the next Read access, SOLOS will transfer the first data byte of the file. If the Byte Accesses are of the Write type, the File Header information will be transferred onto the file.

The entry point for FOPEN is C007.

On entry: Register A contains File # (1 or 2) same as tape unit (1 or 2).

Registers H & L contain address of the File Header information.

On exit: Normal return: All registers are altered and file is ready for accesses.

Error return: The Carry Flag is set. Reason for error: file already open.

Write Byte Routine WRBYT

The Write Byte routine writes a single byte of data into a buffer file. SOLOS stores this data until it contains 256 bytes. It then writes this block onto the tape, followed by a CRC character (error checking character). SOLOS then resets the buffer file for the next 256 bytes of data.

The entry point for WRBYT is C010.

On entry: Register A contains File # (1 or 2).

Register B contains the byte of data to be transferred onto tape.

On exit: Normal return: Carry Flag cleared.

Error return: Carry Flag set - errors caused by:

1. file NOT open, or
2. file previously used for reading.

V. SUBROUTINES (cont.)

Read Byte Routine RDBYT

The Read Byte routine reads a single byte of data from a buffer file. SOLOS fills this buffer as needed per read request. Each time SOLOS fills the file buffer (reads a block), the CRC character is checked for data accuracy.

The entry point for RDBYT is C00D.

On entry: Register contains file # (1 or 2)

On exit: Normal return: Register A contains data byte.
 Carry and Minus Flags set mean 'end of file'.

Error return: Carry Flag set. Errors are caused
by:

1. file NOT open
2. file previously used for writing
3. CRC character error
4. pressing MODE (or Control-@) while
 actually reading from the tape.

Close File Routine FCLOS

The Close file routine closes the current file and resets the internal parameters for the next open operation. It is very important to close the file after all data transfers are completed. Failure to do so could result in lost data and prevent further open operations.

The entry point for FCLOS is C00A.

On entry: Register A contains File # (1 or 2) to be
 closed.

On exit: Normal return: Carry Flag cleared.

Error return: Carry Flag set. (Error is caused
by file NOT open.)

VI. LOADING & EXECUTING CUTER (Applicable to CUTER only)

CUTER is available (1) on cassette tape with its own loader which can be loaded at any memory address from 0200 through F400, or (2) in ROM at the address C000. In order to load CUTER from cassette tape, perform the following steps. When CUTER is being used in ROM, the procedure is much simpler: make sure the sense switches are set according to H below prior to executing location C000.

- A. Verify that the hardware is connected and functioning properly.
- B. Enter the following bootstrap routine into memory beginning at location 0. The following is presented in a format similar to that produced by a "DUMP" command with an address shown every 10 (hex) bytes:

```
0000: 21 40 00 F9 45 4D 3E 80 D3 FA E7 05 C2 0A 00 E7
0010: 3D C2 0F 00 E7 02 03 FE DD C2 14 00 E9 00 00 00
0020: DB FA A5 CA 20 00 DB FB C9
```
- C. Verify that the above bootstrap is in memory exactly as presented.
- D. Set the sense switches to the address at which CUTER is to be loaded. The sense switches will be the hi-order byte of the memory address, with the lo-order byte zero. As an example: Sense switches set to 34 hex will cause CUTER to be loaded into memory beginning at location 3400 hex. For convenience, a memory address should be selected that also specifies the default I/O pseudo ports (see "H" below). The address specified must be between 0200 and F400. Remember, however, that CUTER occupies 2K of memory and uses 1K of RAM beyond that.
- E. Make sure that the CUTER tape is rewound and placed into the proper cassette machine. The CUTER bootstrap will activate the motor control for tape unit one. If your cassette machine motor control is attached as tape unit one, you may now place the machine into "PLAY" mode.
- F. Execute location zero (the bootstrap). This can be accomplished by allowing a "Reset" to specify an address of zero. At this time, be certain that the cassette machine is in "PLAY" mode and is activated:
- G. When completed, the CUTER loader program will "HALT". This is not an error condition. When completed, the motor control will also be turned off.

VI. LOADING & EXECUTING CUTER (cont.) (Applicable to CUTER only)

H. Via sense switches, select the default I/O pseudo ports as follows:

	X X X X	I I O O
Bit	7 6 5 4	3 2 1 0

Where: X X X X doesn't matter

I I which pseudo port from 0 - 3 (00-11 binary)
is to be the default input pseudo port.

O O which pseudo port from 0 - 3 (00-11 binary)
is to be the default Output pseudo port.

NOTE: Whenever CUTER does a full system reset (begins execution at its beginning memory address), the sense switches will be accessed to determine the default I/O pseudo ports.

I. If either Input or Output default is to be pseudo port 3 (user written routine), verify the following:

(i) The appropriate user written routine is in memory.

(ii) The address of the appropriate I/O routine is entered into the CUTER system RAM area. The system RAM area begins exactly 2K (800 hex) after the beginning of CUTER. The first word of this area is used to contain the address for the user Input routine. The second word will contain the address of the user Output routine. Addresses are entered in lo-hi order.

J. Execute location ZERO. The CUTER loader will have properly prepared this location to either transfer control to the CUTER just loaded or to indicate an error while loading CUTER. If there was no error, CUTER will now be in control.

Remember to turn off the cassette machine and remove the CUTER tape.

K. IF your computer halts again, this means one of the following errors has occurred. Display memory location ONE to determine the error code. The error code will be one of the following:

<u>Error Code in Hex</u>	<u>Meaning</u>
00	The specified load address was not within the range 0200-F400, or the tape file loaded was not CUTER.
01	A tape read error was detected.
02	There was no tape read error, but the CRC (error checking) character was invalid.
40	The file was loaded, but it was not CUTER.

APPENDICES

- AI Deleted
- AII 8080 Operating Codes
- AIII Standard Color Code
- AIV Loading DIP Devices, Soldering Tips,
and Installing Augat Pins
- AV IC Pin Configurations
- AVI TV Interface
- AVII Pin-outs for Connectors
S-100 Bus Definitions, Switch Functions,
and Bit Assignments
- AVIII "Your Personal Genie,"
(An Article on Types of Software)

PROCESSOR TECHNOLOGY CORPORATION

Sol TERMINAL COMPUTERTM

APPENDIX III

STANDARD COLOR CODE FOR RESISTORS AND CAPACITORS

COLOR	SIGNIFICANT FIGURE	DECIMAL MULTIPLIER	TOLERANCE (%)	VOLTAGE RATING*
Black	0	1		--
Brown	1	10		100
Red	2	100		200
Orange	3	1,000		300
Yellow	4	10,000		400
Green	5	100,000		500
Blue	6	1,000,000		600
Violet	7	10,000,000		700
Gray	8	100,000,000		800
White	9	1,000,000,000		900
Gold	-	0.1	5	1000
Silver	-	0.01	10	2000
No Color	-	---	20	500

*Applies to capacitors only.

LOADING DIP (DUAL IN-LINE PACKAGE) DEVICES

Most DIP devices have their leads spread so that they can not be dropped straight into the board. They must be "walked in" using the following procedure:

- (1) Orient the device properly. Pin 1 is indicated by a small embossed dot on the top surface of the device at one corner. Pins are numbered counterclockwise from pin 1.
- (2) Insert the pins on one side of the device into their holes on the printed circuit card. Do not press the pins all the way in, but stop when they are just starting to emerge from the opposite side of the card.
- (3) Exert a sideways pressure on the pins at the other side of the device by pressing against them where they are still wide below the bend. Bring this row of pins into alignment with its holes in the printed circuit card and insert them an equal distance, until they begin to emerge.
- (4) Press the device straight down until it seats on the points where the pins widen.
- (5) Turn the card over and select two pins at opposite corners of the device. Using a fingernail or a pair of long-nose pliers, push these pins outwards until they are bent at a 45° angle to the surface of the card. This will secure the device until it is soldered.

SOLDERING TIPS

- (1) Use a low-wattage iron--25 watts is good. Larger irons run the risk of burning the printed-circuit board. Don't try to use a soldering gun, they are too hot.
- (2) Use a small pointed tip and keep it clean. Keep a damp piece of sponge by the iron and wipe the tip on it after each use.
- (3) Use 60-40 rosin-core solder ONLY. DO NOT use acid-core solder or externally applied fluxes. Use the smallest diameter solder you can get.

NOTE: DO NOT press the top of the iron on the pad or trace. This will cause the trace to "lift" off of the board which will result in permanent damage.

- (4) In soldering, wipe the tip, apply a light coating of new solder to it, and apply the tip to both parts of the joint, that is, both the component lead and the printed-circuit pad. Apply the solder against the lead and pad being heated, but not directly to the tip of the iron. Thus, when the solder

melts the rest of the joint will be hot enough for the solder to "take", (i.e., form a capillary film).

- (5) Apply solder for a second or two, then remove the solder and keep the iron tip on the joint. The rosin will bubble out. Allow about three or four bubbles, but don't keep the tip applied for more than ten seconds.
- (6) Solder should follow the contours of the original joint. A blob or lump may well be a solder bridge, where enough solder has been built upon one conductor to overflow and "take" on the adjacent conductor. Due to capillary action, these solder bridges look very neat, but they are a constant source of trouble when boards of a high trace density are being soldered. Inspect each integrated circuit and component after soldering for bridges.
- (7) To remove solder bridges, it is best to use a vacuum "solder puller" if one is available. If not, the bridge can be reheated with the iron and the excess solder "pulled" with the tip along the printed circuit traces until the lump of solder becomes thin enough to break the bridge. Braid-type solder remover, which causes the solder to "wick up" away from the joint when applied to melted solder, may also be used.

INSTALLING AUGAT PINS

Augat pins are normally supplied on carriers (e.g., 8-pin and 16-pin carriers). In many cases the PC board layout permits Augat pins to be installed while still attached to the carrier or a portion of the carrier. In other cases the pins must be installed singly.

To install two or more pins that are still attached to the carrier, proceed as follows:

NOTE

It is perfectly alright to appropriately cut a carrier to accommodate the installation. For example, an 8-pin carrier can be cut in half (4 pins each) across the short dimension to fit a 4-pin, 4-corner layout. It may also be cut in half along the long dimension to fit a 4-pin, inline layout.

- (1) Insert pins in the mounting holes from the front (component) side of board. (The carrier will hold the pins perpendicular to the board.)
- (2) Solder all pins from back (solder) side of board so the solder "wicks up" to the front side.

- (3) Check for solder bridges.
- (4) Remove carrier.

To install single pins, proceed as follows:

- (1) Hold board between two objects so that it stands on edge.
- (2) Insert pins in the mounting holes from front (component) side of board.
- (3) Solder pins from back (solder) side of board so the solder "wicks up" to the front side. (This will hold the pins firmly in place.)
- (4) Insert a component lead into one pin and reheat the solder. Using the component lead, adjust pin until it is perpendicular to board. Allow solder to cool while holding the pin as steady as possible. Remove component lead. Repeat this procedure with other pins.

NOTE

If cooled solder is mottled or crystallized, a "cold joint" is indicated, and the solder should be reheated.

- (5) Check each installation for cold joints and solder bridges.

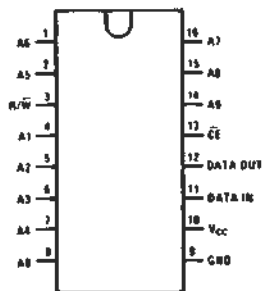
PROCESSOR TECHNOLOGY CORPORATION

So1 TERMINAL COMPUTER™

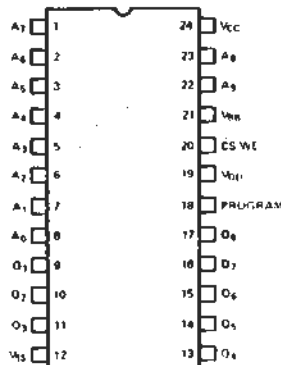
APPENDIX V

<p><u>0026</u></p>	<p><u>4N26</u></p>
<p><u>555</u></p>	<p><u>8T94</u></p>
<p><u>8T97 or 74367</u></p>	<p><u>1458</u></p>
<p><u>1489</u></p>	<p><u>2101</u></p>

21L02 or 91L02



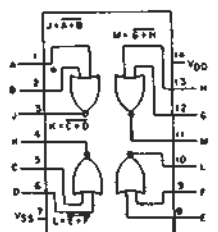
2708



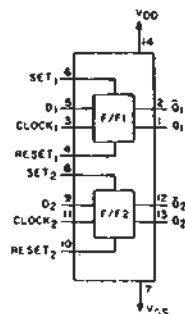
PIN NAMES

- A₀ A₉ ADDRESS INPUTS
- O₁ O₈ DATA OUTPUTS
- CS CHIP SELECT INPUTS

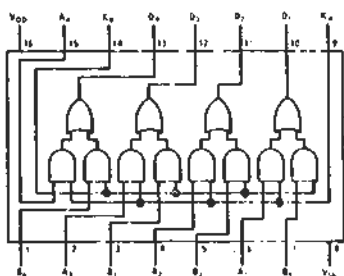
4001



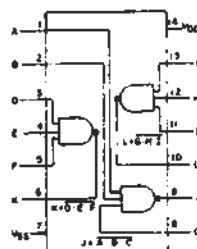
4013



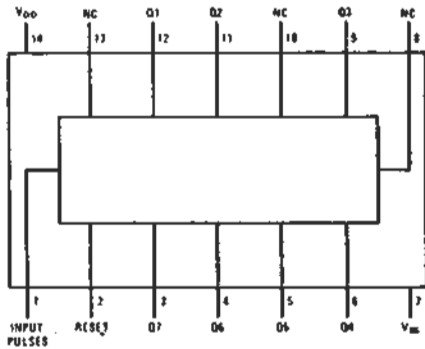
4019



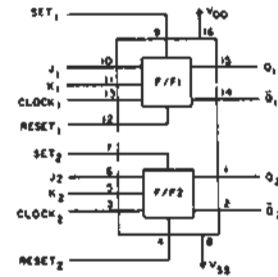
4023



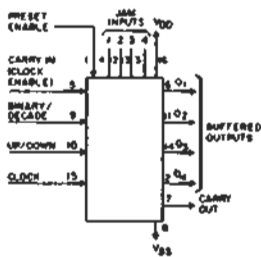
4024



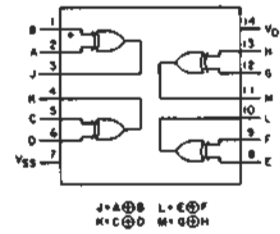
4027



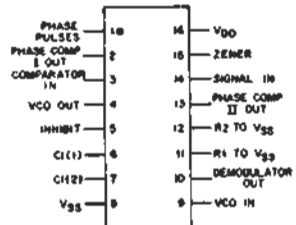
4029



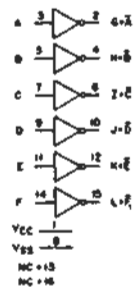
4030



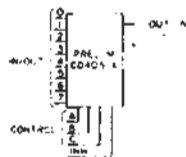
4046



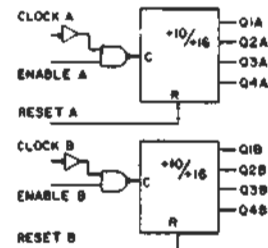
4049



4051



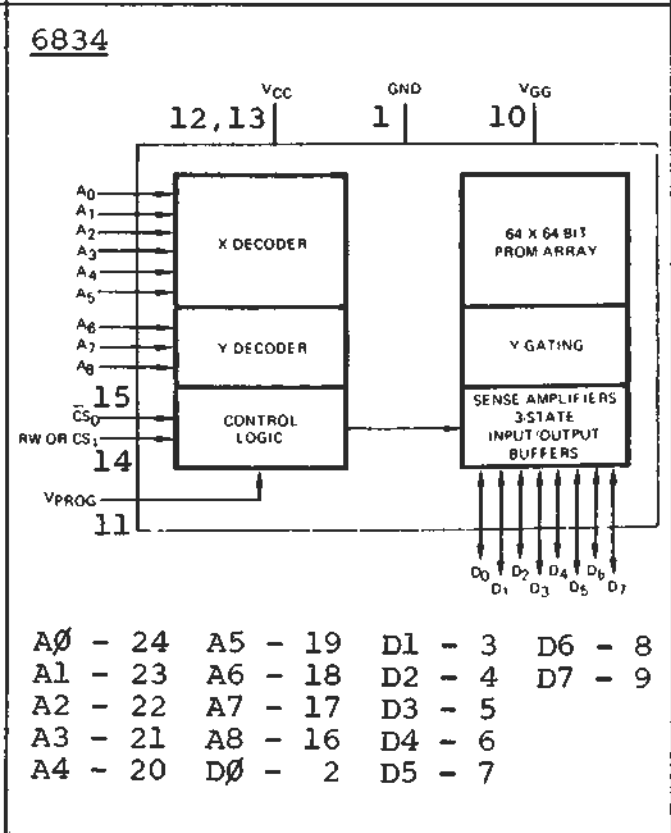
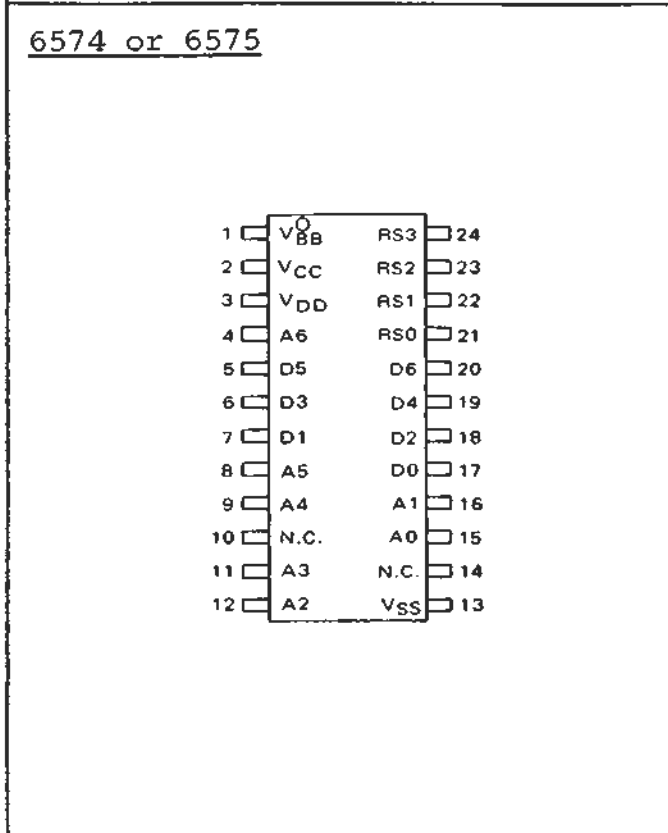
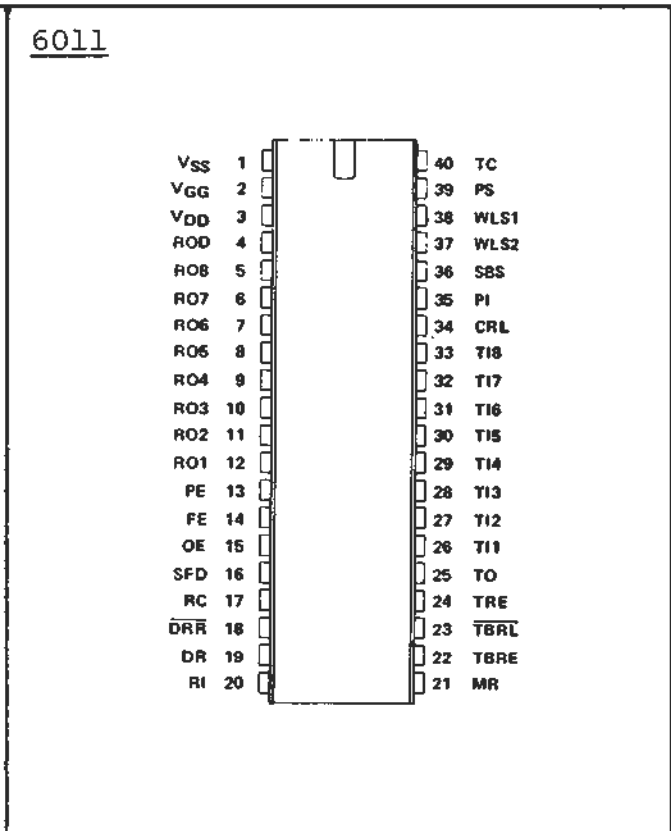
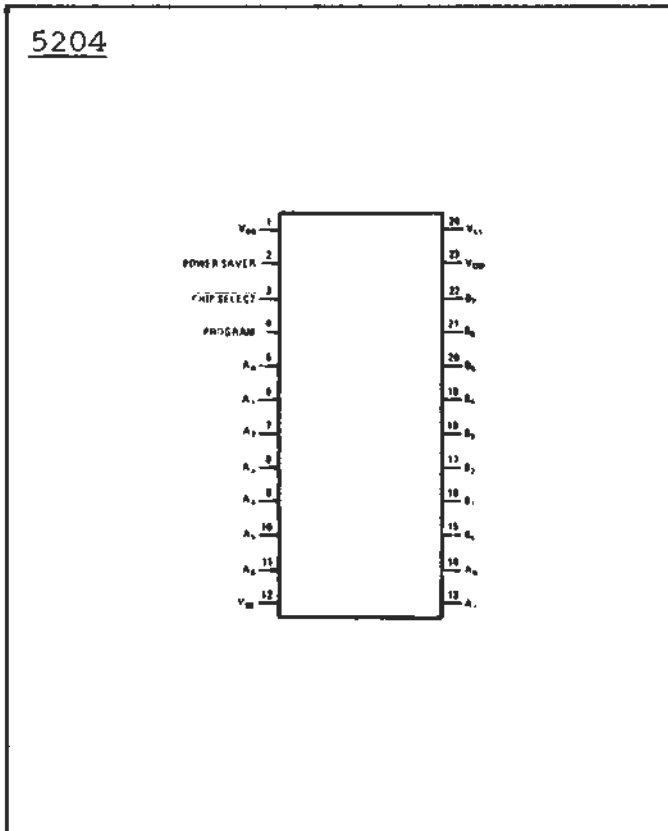
4520



PROCESSOR TECHNOLOGY CORPORATION

SO1 TERMINAL COMPUTER™

APPENDIX V

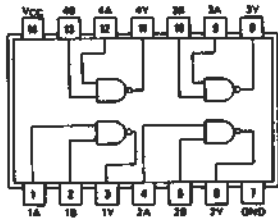


PROCESSOR TECHNOLOGY CORPORATION

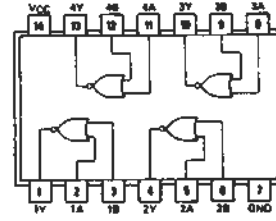
So1 TERMINAL COMPUTER™

APPENDIX V

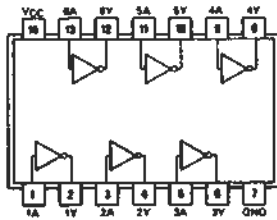
7400



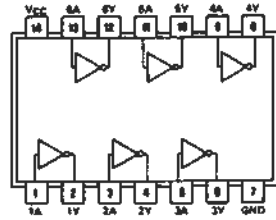
7402



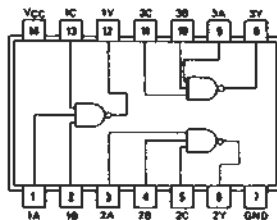
7404



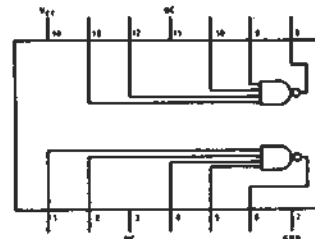
7406



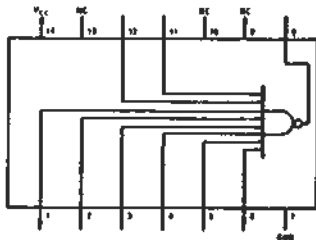
7410



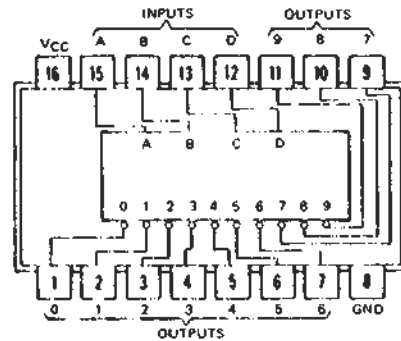
7420



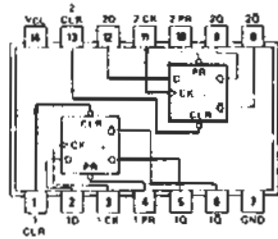
7430



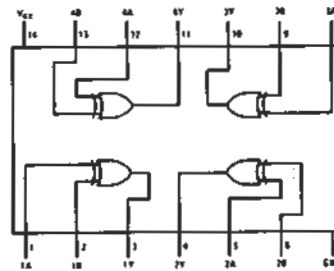
7442



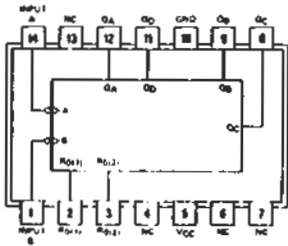
7474



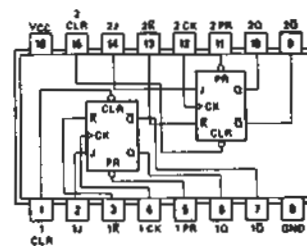
7486



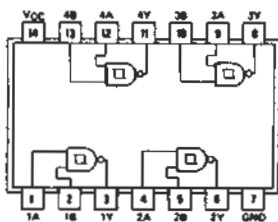
7493



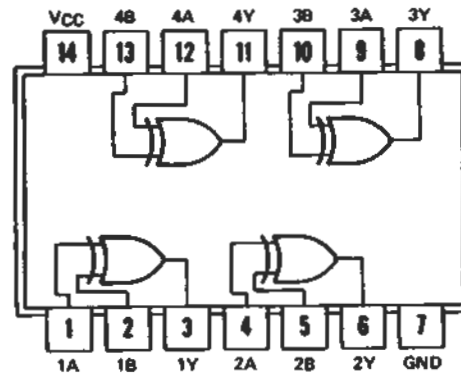
74109



74132



74136

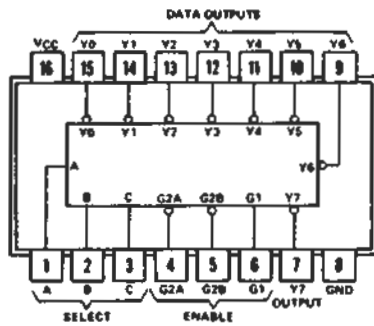


PROCESSOR TECHNOLOGY CORPORATION

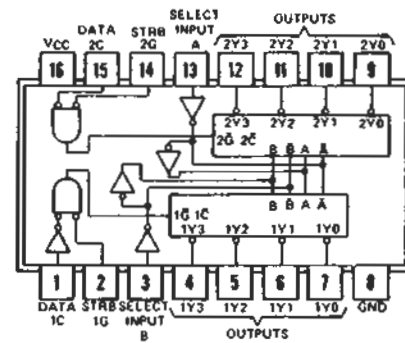
So1 TERMINAL COMPUTER™

APPENDIX V

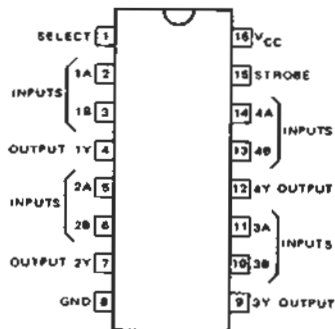
74138



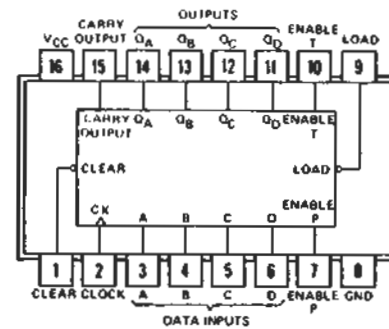
74155



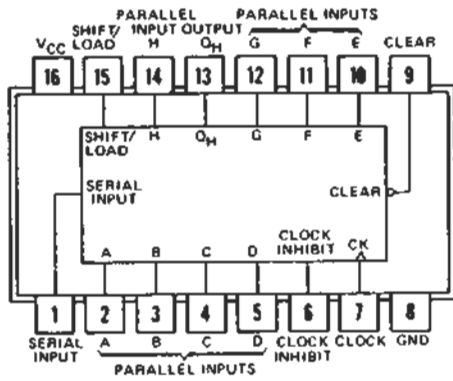
74157



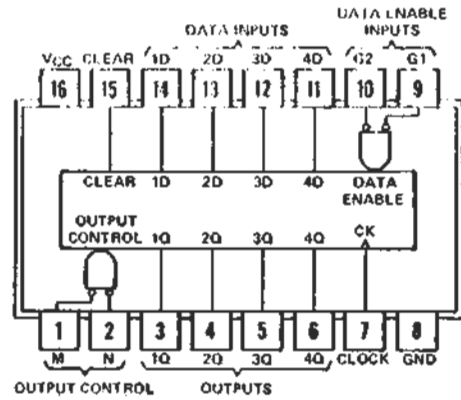
74163 or 93L16



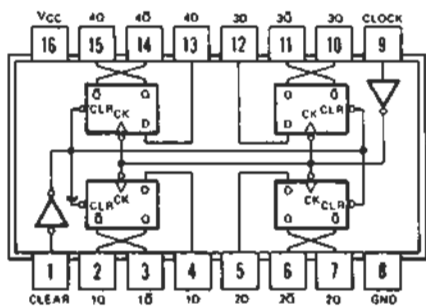
74166



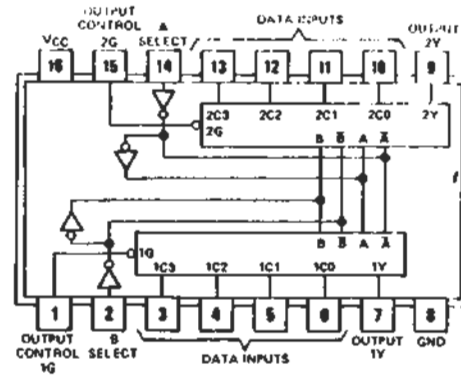
74173



74175



74253

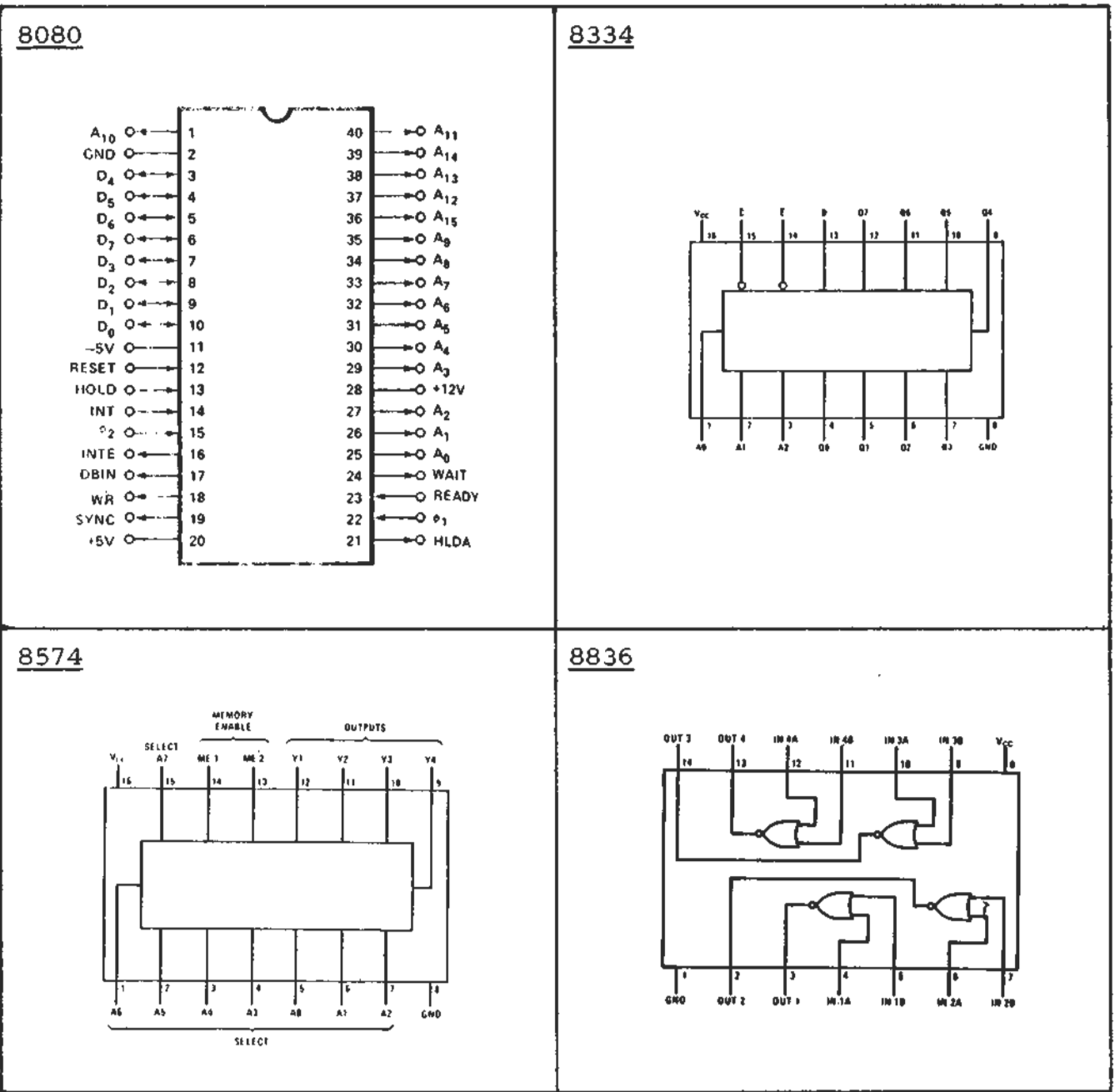


7812 and 7912

Pin 1 Input (Base)
Pin 2 Output (Emitter)
Pin 3 Ground (Collector)

Heat sink surface connected to pin 3





Pinouts: Parallel Data Interface (PDI) as
used on Processor Tech. Sol System

Sept. 30, 1976

MASTER UNIT-Male connector

J2 Pin #	Signal mnemonic	Signal name	J2 pin#	Signal mnemonic	Signal name
1	CG	Chassis Ground	14	US	Unit Select
2	SG	Signal Ground	15	OE	Output Enable
3	IE	Input Enable	16	XDR	eXternal Device Ready
4	DR	Data Ready	17	OL	Output Load
5	IACK	Input Acknowledge	18	OD7	Output Data, bit 7
6	ID7	Input Data, bit 7	19	OD6	Output Data, bit 6
7	ID6	Input Data, bit 6	20	OD5	Output Data, bit 5
8	ID5	Input Data, bit 5	21	OD4	Output Data, bit 4
9	ID4	Input Data, bit 4	22	OD3	Output Data, bit 3
10	ID3	Input Data, bit 3	23	OD2	Output Data, bit 2
11	ID2	Input Data, bit 2	24	OD1	Output Data, bit 1
12	ID1	Input Data, bit 1	25	OD0	Output Data, bit 0
13	ID0	Input Data, bit 0			

Pinouts: Serial Data Interface (SDI) as
used on Processor Tech. Sol System

Female connector-DB25S

J1 pin#	Signal mnemonic	Signal name	J1 pin#	Signal mnemonic	Signal name
1	CG	Chassis Ground	8	CD	Carrier Detect
2	TD	Transmit Data	11	CLO	Current Loop Output
3	RD	Receive Data	12	LR1	Loop Receiver 1
4	RTS	Request To Send	13	LR2	Loop Receiver 2
5	CTS	Clear To Send	20	DTR	Data Terminal Ready
6	DSR	Data Set Ready	23	LCS	Loop Current Source
7	SG	Signal Ground			

Note 1: Many pins not specified here are used in EIA RS-232C specification. USE THEM WITH CAUTION.

Note 2: Terminals output on pins 2, 4 & 20 and input on pins 3, 5 & 6 for EIA type hookups. Modems and computer mainframes output on pins 3, 5 & 6 and input on pins 2, 4 & 20.

Note 3: Current loop hookups are the same for terminals, modems, mainframes.

J3 Keyboard Connector (between U64 and U65)

Sol-PC, Rev. 2,E
10/18/76

pin no.	Signal name	pin no.	Signal name
1	ground	11	ground
2	+5v	12	+5v
3	Kbd Data Ready	13	Restart
4	Break	14	Local
5	Kbd Data 0	15	Kbd Data 4
6	Kbd Data 1	16	Kbd Data 5
7	Kbd Data 2	17	KBD Data 6
8	Kbd Data 3	18	KBD Data 7
9	+5v	19	+5v
10	ground	20	ground

J4 Display Expansion Connector (between U28, 29)

pin no.	Signal name	pin no.	Signal name
1	ground	11	ground
2	N.C.	12	N.C.
3	Char. addr. 4	13	Dot Clock, 14.318MHz
4	Character clock	14	Composite sync. out
5	Char. addr. 0	15	TTL Serial Data Out
6	Char. addr. 1	16	Composite blanking out
7	Char. addr. 2	17	Scan advance out
8	Char. addr. 3	18	Char. addr. 5
9	N.C.	19	N.C.
10	ground	20	ground

J5 Personality Module Edge Connector

pin no.	Signal name	pin no.	Signal name
B15	B Ground	A15	Ground
B14	O +5VDC	A14	+5VDC
B13	T Addr. 9	A13	T Addr. 0
B12	T Addr. 8	A12	O Addr. 4
B11	T Addr. 7	A11	P Addr. 3
B10	O INT Bus 0	A10	P Addr. 2
B9	M INT Bus 1	A9	R Addr. 1
B8	INT Bus 2	A8	O Addr. 5
B7	R INT Bus 3	A7	W Addr. 6
B6	O INT Bus 4	A6	W C4
B5	W INT Bus 5	A5	C0
B4	Program 0	A4	P INT Bus 6
B3	P Program 1	A3	I INT Bus 7
B2	I Program 2	A2	N -12VDC
B1	N Program 3	A1	S +12VDC

J6 Audio Out for CUPS Cassette Interface: Mini-phone jack at rear panel

J7 Audio In for CUPS Cassette Interface: Mini-phone jack at rear panel

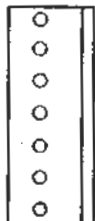
J8 Tape Motor Control 1: (See output port FA, bit 7) Sub-mini jack at rear panel

J9 Tape Motor Control 2: (See output port FA, bit 6) Sub-mini jack at rear panel

Rev A

J10 DC Power Connector, Sol-PC

Ground
+5VDC
-12 VDC
+12 VDC
-12 VDC
+5 VDC
Ground



S-100 Bus Definitions

PIN NUMBER	SYMBOL	NAME	FUNCTION
1	+8V	+8 Volts	Unregulated voltage on bus, supplied to PC boards and regulated to 5V, supplied by Sol-20 supply
2	+16V	+16 Volts	Positive unregulated voltage supplied by Sol-20 power supply
3	XRDY	EXTERNAL READY	External ready input to CPU ready circuitry
4	VI0	Vectored Interrupt Line #0	
5	VI1	Vectored Interrupt Line #1	
6	VI2	Vectored Interrupt Line #2	
7	VI3	Vectored Interrupt Line #3	
8	VI4	Vectored Interrupt Line #4	
9	VI5	Vectored Interrupt Line #5	
10	VI6	Vectored Interrupt Line #6	
11	VI7	Vectored Interrupt Line #7	
12	XRDY2	EXTERNAL READY #2	not used by Sol-PC
13 to 17	TO BE DEFINED		
18	$\overline{\text{STAT DSB}}$	STATUS DISABLE	-Allows the buffers for the 8 status lines to be tri-stated
19	$\overline{\text{C/C DSB}}$	COMMAND/CONTROL DISABLE	-Allows the buffers for the 6 output command/control lines to be tri-stated
20	UNPROT	UNPROTECT	-not used by Sol-PC electronics
21	SS	SINGLE STEP	-not used by Sol-PC
22	$\overline{\text{ADD DSB}}$	ADDRESS DISABLE	-Allows the buffers for the 16 address lines to be tri-stated
23	$\overline{\text{DO DSB}}$	DATA OUT DISABLE	-Allows the buffers for the 8 data output lines to be tri-stated
24	Ø2	PHASE 2 CLOCK	
25	Ø1	PHASE 1 CLOCK	
26	PHLDA	HOLD ACKNOWLEDGE	Processor command/control output signal that appears in response to the HOLD signal; indicates that the data and address bus will go to the high impedance state and processor will enter HOLD state after completion of the current machine cycle.

S-100 Bus Definitions-continued

<u>PIN NUMBER</u>	<u>SYMBOL</u>	<u>NAME</u>	<u>FUNCTION</u>
27	PWAIT	WAIT	-Processor command/control output signal that indicates the processor is in the wait state in response to a low READY signal or a HALT instruction.
28	PINTE	INTERRUPT ENABLE	-Processor command/control output signal; indicates interrupts are enabled, as determined by the contents of the CPU internal interrupt flip-flop. When the flip-flop is set (Enable Interrupt instruction), interrupts are accepted by the CPU; when it is reset (Disable Interrupt instruction), interrupts are inhibited.
29	A5	Address Line #5	
30	A4	Address Line #4	
31	A3	Address Line #3	
32	A15	Address Line #15 (MSB)	
33	A12	Address Line #12	
34	A9	Address Line #9	
35	DIO1	Data In/Out line #1	same as pin 94
36	DIO0	Data In/Out line #0	same as pin 95
37	A10	Address Line #10	
38	DIO4	Data In/Out Line #4	same as pin 91
39	DIO5	Data In/Out Line #5	same as pin 92
40	DIO6	Data In/Out Line #6	same as pin 93
41	DIO2	Data In/Out Line #2	same as pin 88
42	DIO3	Data In/Out Line #3	same as pin 89
43	DIO7	Data In/Out Line #7	same as pin 90
44	SM1	MACHINE CYCLE 1	-Status output signal that indicates that the processor is in the fetch cycle for the first byte of an instruction
45	SOUT	OUTPUT	-Status output signal that indicates the address bus contains the address of an output device and the data bus will contain the output data when PWR is active
46	SINP	INPUT	-Status output signal that indicates the address bus contains the address of an input device and the input data should be placed on the data bus when PDBIN is active
47	SMEMR	MEMORY READ	-Status output signal that indicates the data bus will be used to read memory data
48	SHLTA	HALT ACKNOWLEDGE	-Status output signal that acknowledges a HALT instruction
49	<u>CLOCK</u>	<u>CLOCK</u>	- Inverted output of the 02 CLOCK
50	GND	GROUND	
51	+8V	+8 Volts	Unregulated input to 5 volt regulators supplied by Sol-20 power supply
52	-16V	-16 Volts	Negative unregulated voltage supplied by Sol-20 power supply

S-100 Bus Definitions-continued

PIN NUMBER	SYMBOL	NAME	FUNCTION
53	<u>SSWI</u>	SENSE SWITCH INPUT	not used by Sol
54	<u>EXT CLR</u>	EXTERNAL CLEAR	not used by Sol-PC electronics
55	<u>RTC</u>	REAL TIME CLOCK	not used by Sol-PC electronics
56	<u>STSTB</u>	STATUS STROBE	not used by Sol
57	<u>DIGI</u>	DATA INPUT GATE #1	When low forces PDBINS low and forces CPU input multiplexers to the DIO bus. During CPU DBIN cycle, disables CPU DIO bus drivers
58	FRDY	FRONT PANEL READY	-When low disables MWRITE driver
59			
to		TO BE DEFINED	
64			
65	<u>MREQ</u>	<u>MEMORY REQUEST</u>	- Z 80 signal not used by Sol-PC electronics
66	<u>REF</u>	<u>REFRESH</u>	- Z 80 signal not used by Sol-PC electronics
67	<u>PHANTOM</u>	PHANTOM DISABLE	-Output from CPU section used to disable RAM or ROM during power on initialization program execution
68	MWRITE	MEMORY WRITE	-Indicates that the data present on the Data Out Bus is to be written into the memory location currently on the address bus
69	<u>PS</u>	<u>PROJECT STATUS</u>	-not used by Sol-PC electronics
70	PROT	PROTECT	-not used by Sol-PC electronics
71	RUN	RUN	- not used by Sol-PC electronics
72	PRDY	PROCESSOR READY	- Memory and I/O input to the CPU Board wait circuitry
73	<u>PINT</u>	<u>INTERRUPT REQUEST</u>	- The processor recognizes an interrupt request on this line at the end of the current instruction or while halted. If the processor is in the HOLD state or the Interrupt Enable flip-flop is reset, it will not honor the request.
74	<u>PHOLD</u>	<u>HOLD</u>	-Processor command/control input signal that requests the processor enter the HOLD state; allows an external device to gain control of address and data buses as soon as the processor has completed its use of these buses for the current machine cycle
75	<u>PRESET</u>	<u>RESET</u>	-Processor command/control input; while activated, the content of the program counter is cleared and the instruction register is set to 0
76	PSYNC	SYNC	-Processor command/control output; provides a signal to indicate the beginning of each machine cycle
77	<u>PWR</u>	<u>WRITE</u>	-Processor command/control output; used for memory write or I/O output control. Data on the data bus is stable while the PWR is active
78	PDBIN	DATA BUS IN	-Processor command/control output; indicates to external circuits that the data bus is in the input mode

S-100 Bus Definitions-continued

PIN NUMBER	SYMBOL	NAME	FUNCTION (LSB)
79	A0	Address Line #0	
80	A1	Address Line #1	
81	A2	Address Line #2	
82	A6	Address Line #6	
83	A7	Address Line #7	
84	A8	Address Line #8	
85	A13	Address Line #13	
86	A14	Address Line #14	
87	A11	Address Line #11	
88	DI02	Data In/Out Line #2	same as pin 41
89	DI03	Data In/Out Line #3	same as pin 42
90	DI07	Data In/Out Line #7	same as pin 43
91	DI04	Data In/Out Line #4	same as pin 38
92	DI05	Data In/Out Line #5	same as pin 39
93	DI06	Data In/Out Line #6	same as pin 40
94	DI01	Data In/Out Line #1	same as pin 35
95	DIO0	Data In/Out Line #0	same as pin 36
96	SINTA	INTERRUPT ACKNOWLEDGE	-Status output signal; acknowledges signal for INTERRUPT request
97	SWO	WRITE OUT	-Status output signal; indicates that the operation in the current machine cycle will be a WRITE memory or output function
98	SSTACK	STACK	-Status output signal indicates that the address bus holds the pushdown stack address from the Stack Pointer
99	POC	POWER-ON CLEAR	
100	GND	GROUND	

SWITCH FUNCTION DEFINITION -- Display Ctrl---Schematic Drawing #4

Switch No.	Mnemonic	Function	
		ON	OFF
S1-1	RST	Restart to Zero	RUN (Dwg. #1)
S1-2	not used		
S1-3	BLANK	Blank Ctrl Characters Display Ctrl Char.	
S1-4	Polarity		
S1-5	BLINK	Blinking cursor	*Solid or NO cursor
S1-6	SOLID	Solid cursor	*Blinking or NO cursor

*NO cursor if S1-5 and S1-6 are off at same time.
Both switches should not be on at the same time.

Drawing #3 -- Sense Switch

Switch No.	Mnemonic	Function	
		ON	OFF
S2-1	SSW0	LSB, data bit	0=LO 1=HI
S2-2thruS2-7		etc.	LO HI
S2-8	SSW7	MSB data bit 7	LO HI

SERIAL I/O BAUD RATE SWITCH -- Schematic Drawing #3
Function

Switch No.	Mnemonic	ON	OFF
S3-1	75	75 BAUD	* Do not turn more than one switch on at a time
S3-2	11	110 BAUD	
S3-3	15	150 BAUD	
S3-4	30	300 BAUD	
S3-5	60	600 BAUD	
S3-6	12	1200 BAUD	
S3-7	24/48	2400 or 4800 (normally 2400 if not jumpered K to M)	
S3-8	96	9600 BAUD	

SERIAL I/O CONTROL -- Schematic Drawing #3

Switch No.	Mnemonic	ON	OFF												
S4-1	PS	Parity odd	Parity even (if S4-5 on)												
S4-2	WLS 1	Data word length	<table border="1"> <tr> <td>8bits</td> <td>7bits</td> <td>6bits</td> <td>5bits</td> </tr> <tr> <td>Off</td> <td>On</td> <td>Off</td> <td>On</td> </tr> <tr> <td>Off</td> <td>Off</td> <td>On</td> <td>On</td> </tr> </table>	8bits	7bits	6bits	5bits	Off	On	Off	On	Off	Off	On	On
8bits	7bits			6bits	5bits										
Off	On	Off	On												
Off	Off	On	On												
S4-3	WLS 2														
S4-4	SBS	1 stop bit	2 stop bits (1.5 if 5bits/word)												
S4-5	PI	Parity	No parity												
S4-6	F/H	Half duplex	Full duplex												

MEMORY ALLOCATION: ON CARD

Hexidecimal Address	Function
C000 - C7FF	Personality Module ROM or PROM (2048 words)
C800 - CBFF	System RAM (1024 words)
CC00 - CFFF	Display RAM Memory (1024 characters)

ON CARD INPUT PORT ALLOCATION

Hexidecimal Port Address	Function
F8	Status, Serial Comm. channel
F9	Serial Communication Channel Data
FA	Aux. Status, Cassette tape interface, parallel I/O, keyboard input
FB	Audio Cassette (CUTS) Data
FC	Keyboard Data (from J3)
FD	Parallel Port Data (from J2)
FE	Display Status
FF	Sense Switch (S2-1 thru S2-8)

OUTPUT PORTS

Hex Port Address	Function
F8	Control, Serial Comm. Channel
F9	Data, Serial Comm. Channel
FA	Control, Parallel I/O, CUTS Cassette I/O
FB	Data, CUTS audio cassette Interface
FC	Alarm (optional)
FD	Data, Parallel output Data channel
FE	Scroll control, Display Section
FF	not used in Sol-PC

STATUS PORT INPUT BIT ASSIGNMENTS

PORT F8 (STATUS, SERIAL COMM. CHANNEL)

<u>BIT</u>	<u>SIGNAL NAME</u>	<u>FUNCTION</u>	<u>ACTIVE DIRECTION</u>
Ø	SCD	Serial Carrier Detect (EIA)	1 carrier
1	SDSR	Serial Data Set Ready (EIA)	Ø link ok
2	SPE	Serial Parity Error	1 error
3	SFE	Serial Framing Error	1 error
4	SOE	Serial Overrun Error	1 error
5	SCTS	Serial Clear to Send (EIA)	Ø clear
6	SDR	UART Serial Data Ready	1 ready
7	STBE	UART Serial Transmit Buffer Empty	1 empty

PORT FA (AUX. STATUS, CASSETTE TAPE INTERFACE, PARALLEL I/O, KEYBOARD INPUT)

<u>BIT</u>	<u>SIGNAL NAME</u>	<u>FUNCTION</u>	<u>ACTIVE DIRECTION</u>
Ø	KDR	Keyboard Data Ready	Ø ready
1	PDR	Parallel Data Ready	Ø ready
2	PXDR	Parallel eXternal Device Ready	Ø ready
3	TFE	Tape Framing Error	1 error
4	TOE	Tape Overrun Error	1 error
5	not used		
6	TDR	Tape Data Ready	1 ready
7	TTBE	Tape Transmitter Buffer Empty	1 empty

PORT FE (DISPLAY STATUS)

<u>BIT</u>	<u>SIGNAL NAME</u>	<u>FUNCTION</u>	<u>ACTIVE DIRECTION</u>
Ø	SOK	Scroll OK; ¼ sec timeout after scroll	Ø time complete

CONTROL PORT OUTPUT BIT ASSIGNMENTS

PORT F8 (CONTROL, SERIAL COMM. CHANNEL)

<u>BIT</u>	<u>SIGNAL NAME</u>	<u>FUNCTION</u>	<u>ACTIVE DIRECTION</u>
4	SRTS	Serial Request to Send	1 request

PORT FA (CONTROL, PARALLEL I/O, CUTS CASSETTE I/O)

<u>BIT</u>	<u>SIGNAL NAME</u>	<u>FUNCTION</u>	<u>ACTIVE DIRECTION</u>
3	PIE	Parallel Input Enable	1 pin 3 J2 low
4	PUS	Parallel Unit Select	0 pin 14 J2 low
5	TBR	Tape Baud Rate (300/1200)	0 1200 Baud
6	TT2	Tape Transport 2	0 run tape
7	TT1	Tape Transport 1	0 run tape

PORT FE (SCROLL CONTROL, DISPLAY SECTION)

<u>BIT</u>	<u>SIGNAL NAME</u>	<u>FUNCTION</u>	<u>ACTIVE DIRECTION</u>
Ø - 3	BDLA	Beginning Display Line Absolute address	4-bit data nybble
4 - 7	FDSP	First Displayed Line Screen Position	4-bit data nybble

CONNECTOR DESIGNATION

J1	Serial data	J6	Cassette Tape Audio Out
J2	Parallel Data	J7	Cassette Tape Audio In
J3	Keyboard	J8	Tape Motor 1
J4	Display Expansion	J9	Tape Motor 2
J5	ROM Personality Module	J10	PC Power
		J11	S-100 Bus Expansion

Sol SYSTEM OVERVIEW AND GENERAL THEORY

A) CPU and support circuitry:

- 1) Clock generation.
- 2) Status generation.
- 3) Control signal encoding and buffering.
- 4) Data multiplexing and multiplex selection.
- 5) Data buffers.
- 6) Phantom generation.

B) Memory and I/O decoders:

- 1) Address decoding using the Phantom line.
- 2) Memory decoding/page selection.
- 3) I/O port decoding and selection.
- 4) Wait state generation.
- 5) System RAM/ROM addressing/selection.

C) Video display:

- 1) Clock timing.
- 2) Sync generation.
- 3) Character generation.
- 4) Memory addressing.
- 5) Column and row address generation.

D) Audio cassette interface:

- 1) AGC and comparator network.
- 2) Data and transition detection.
- 3) UART.
- 4) Phase Lock Loop circuitry.
- 5) Clock multiplexing.
- 6) Write data logic.

E) Input/Output circuitry:

- 1) Serial interface;
 - a) RS-232-C.
 - b) 20 ma current loop.
- 2) Parallel interface.
- 3) Sense switch operation.
- 4) Handshaking logic and generation.
 - a) E.I.A.
 - b) Parallel.

SET-UP PROCEDURES FOR Sol SYSTEM 3 AND 4

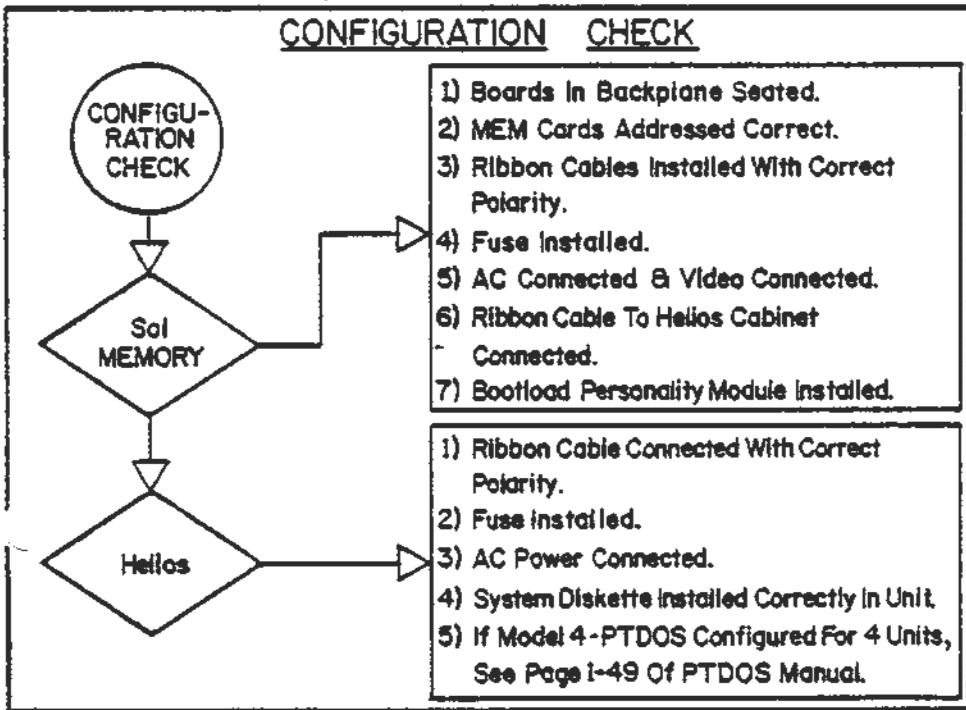
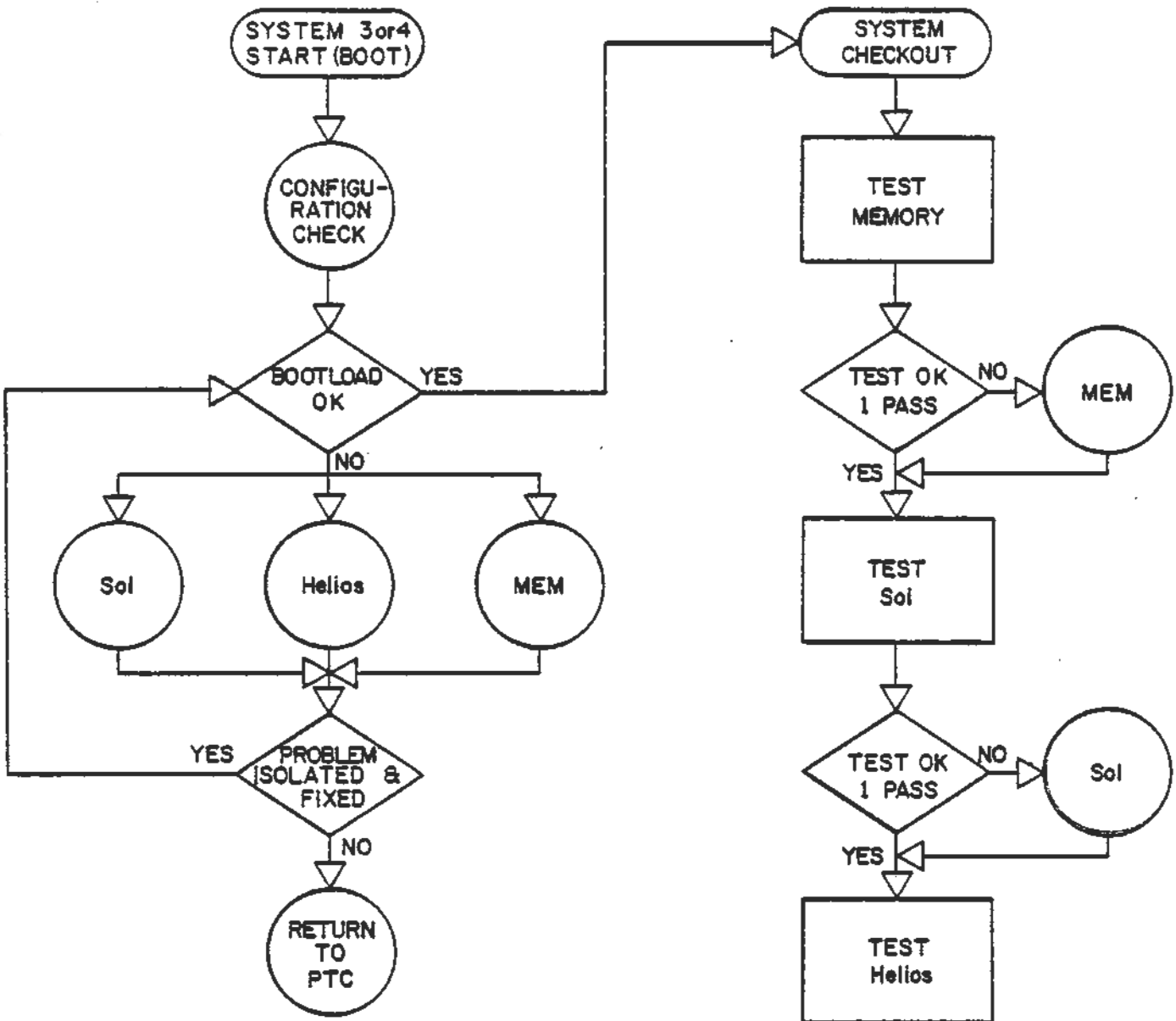
- 1) Remove covers from Sol.
- 2) Remove all PC boards from Sol backplane.
- 3) Visually inspect interior of Sol, checking for loose ICs, shipping material, broken cables or wires and shipping damage.
- 4) Make sure keyboard cable is connected to the correct connector on the Sol P.C. (J3).
- 5) Connect video cable to monitor.
- 6) Install AC power cord.
- 7) Configure switches S1-S4 as per the Sol manual, to your specifications.
- 8) Turn Sol power switch on.
- 9) Screen should display a prompt '>' and a cursor '█' in the upper left-hand corner of the screen.

NOTE: IF Sol DOES NOT PASS STEP 9 DO NOT PROCEED ANY FURTHER UNTIL PROBLEM HAS BEEN CORRECTED!

- 10) Load and run Solt.
- 11) Power down the Sol and install the memory boards.
- 12) Load and run the MEMORY test.
- 13) Power down the Sol and install the format and disk controller boards.
- 14) Install all cables and complete the CONFIGURATION check.
- 15) Run the DOST test.

NOTE: If Helios does not pass Step 15, do not proceed any further until problem has been corrected!

~~16) Follow BOOTLOAD procedure.~~



COMMON SYMPTOMS OF FAILURE IN THE Sol

WARNING: WHENEVER A PROBLEM OCCURS, IT IS ADVISABLE TO FIRST CHECK THE OUTPUTS OF THE POWER SUPPLY .

This section is designed to aid the technician in the location and isolation of problem areas in the Sol computer. It is not intended to be a point-to-point troubleshooting guide, therefore, it only identifies ICs by number and not pin numbers.

- 1) The screen fills with alternating nines and nulls, screen flickers:

NOTE: THIS CONDITION IS REFERRED TO AS A "STACK CRASH," AND IS CAUSED BY THE CPU ENCOUNTERING AN `FF' ON THE DATA BUS DURING AN INSTRUCTION CYCLE.

A> Bad RAM (U3-10).

B> Open or short on INT bus:

NOTE: PROBLEMS WITH THE INT BUS CAN SOMETIMES BE CAUSED BY BAD UART'S (U51, 69).

C> Bad MUX's or MUX select logic (U24, 36, 47, 48, 61, 65, 66, 78, 79, 83).

D> Bad FOUR-PHASE-WONDER (U22, 23, 24, 76, 77).

- 2) Screen fills with random characters and flickers:

A> MWRITE not present (U46, 49, 50, 107), plus one of the above symptoms.

- 3) Screen fills with random characters and does not flicker:

A> CPU not running (No PSYNC or DBIN);

1) No -5,+5,;12 volts.

2) Bad CPU (U105).

3) No clock to CPU (XTAL, U77, 90, 91, 92, 104).

4) Ready line held low (U48, 63).

5) Hold line held high (U64).

6) INT (Interrupt) line held high (U45).

- B) CPU running (PSYNC and DBIN present);
 - 1) No MWRITE to video section (U44).
- 4) Screen clears, displays cursor and prompt, but also displays an extra character on the screen or incorrect characters:
 - A> Bad display RAM (U14-21).
 - B> Intermittent or floating MWRITE (U44, 46, 49, 50, 107).
- 5) Screen clears momentarily, displays cursor then fills with flickering nines and nulls as in symptom 1:
 - A> Bad system RAM (U3-10).
- 6) Screen is blank:
 - A> No video output (U41, 59, 74, 87).
 - B> CPU not running, +5, +12, or -5 voltage not present.
 - C> Reset (RST) line from keyboard is held low.
- 7) Will not scroll correctly:
 - A> Bad scroll latch or MUX circuitry (U1, 2, 11, 13, 30, 32).
- 8) Characters on screen are incomplete or broken up:
 - A> Shift register bad (U41).
- 9) Cannot enter from keyboard:
 - A> Bad keyboard (see section on kybd problems).
 - B> Keyboard flag logic (U53, 54, 70, 71).
 - C> Bad MUX or MUX decode logic (U36, 65, 66, 78, 769).
- 10) Keyboard output continuously displayed:
 - A> Keyboard flag logic (U53, 54, 70, 71).
- 11) Will not respond to commands:
 - A> Places question mark on screen in command (U29, 89, PHASE 1 and 2 timing incorrect).
 - B> Stack crash-bad RAM (U3-10).
- 12) Will not read cassette tape-doesn't give error message:
(Will not respond to CAT command, also)
 - A> Bad AGC circuit (Q3, 4, 5, U108, 109).
 - B> Bad read logic (U98, 99, 100, 112, 113, 119).

- C> Bad UART (U69).
 - 1) Bad data input (see A and B).
 - 2) Bad data output (UART).
 - 3) Bad status in (UART, U22, 23, 24, 36, 93, 94).
 - 4) Bad status output.

D> Bad clock to UART (U85, 86, 109, 111, 112).

E> PLL inoperative (U110).

F> check below

NOTE: CHECK VALUES OF ALL DISCRETE COMPONENTS AT INPUT.

13) Will not read cassette tape-gives error message:

- A> Bad PLL (U110) or PLL not adjusted correctly.
- B> Bad clock to PLL (U11,112).
- C> Bad UART (U69).

12 F → ~~Two~~ Two Baud Rate Switches on at one time (S3).

14) Will not write to cassette:

- A> Bad UART (U69).
- B> Bad clock to UART (U85, 86, 109, 11, 112).
- C> Bad write logic (U98, 99, 100, 101, 109).

NOTE: CHECK VALUES OF ALL DISCRETE COMPONENTS AT OUTPUT.

15) Motor control of cassette inoperable (won't turn off or on):

- A> Bad control logic (U97).
- B> Bad relay (K1, K2).

16) Power supply failure:

- A> No +5V (U2, Q1, 2, 3, D1, SCR1, FWB1).

NOTE 1: Check reference voltages on U2.

NOTE 2: Check values of all discrete components.

- B> Ripple on +5V (FWB1, U2-reference voltages).
- C> No +12V (U1, D3, C5, FWB2).
- D> Ripple on +12V (C5, FWB2).
- E> No -12V (U3, D4, C4, FWB2).

- F> Ripple on -12V (C4, FWB2).
- G> No + or -16V Unregulated (FWB2).

COMMON SYMPTOMS OF FAILURE IN THE I/O SECTION.

- 1) No data output from TTY section:
 - A> Bad UART (U51).
 - B> Bad strobe to UART (U22, 23, 35).
 - C> Bad TTY driver logic (U55, 56, Q1, D2).
 - D> +12V missing at Q12.
 - E> + or -12V missing at U56 (reference voltages).
- 2) Incorrect data out from TTY section:
 - A> Two Baud Rate Switches selected at once (S3).
 - B> Bad UART (U51).
 - C> Wrong word length selected (S4).
- 3) No data input to TTY section:
 - A> Bad receive logic (U38, 39, D1, 3, 4, 5, 6).
 - B> Bad UART (U51).
 - C> Bad strobe to UART (U22, 23, 36).
- 4) Incorrect data input to TTY section:
 - A> Two Baud Rate Switches selected at once (S3).
 - B> Bad UART (U51).
 - C> Wrong word length selected (S4).
- 5) No data output from RS-232 section:
 - A> Bad UART (U51).
 - B> Bad strobe to UART (U22, 23, 35).
 - C> Bad RS-232 driver logic (U55, 56).
 - D> Handshaking signal missing (External).
- 6) Incorrect data output from RS-232 section:
 - A> See same symptom for TTY.

- 7) No input data to RS-232 section:
 - A> Bad RS-232 driver logic (U37, 38).
 - B> Bad UART (U51).
 - C> Bad strobe to UART (U22, 23, 36).
- 8) Incorrect data input to RS-232 section:
 - A> See same symptom for TTY.
- 9) No data output from parallel section:
 - A> Bad output latches (U95, 96).
 - B> Bad strobe to latches (U35, 54).
- 10) No data input to parallel section:
 - A> Bad input multiplexers (U65, 66, 78, 79).
 - B> Bad input MUX logic (U36, 47, 48).
- 11) Bad sense switch operation:
 - A> Bad drivers (U57, 58).
 - B> Bad strobe logic (U36).

COMMON SYMPTOMS OF FAILURE IN THE Sol KEYBOARD

- 1) No data output:
 - A) No +5V.
 - B) Bad output logic (U1, 2, 28, 10).
 - C) Bad decode logic (U10, 14, 15, 25, 26, 27).
 - D) Bad key detect circuitry (U17, 19, 21, 22).

NOTE: CHECK FOR SHORTS ON MATRIX

- E) Bad clock generation (U7, 8).
- F) Bad KTC circuit.
 - 1) No amplification (Q2, 4, 7).
 - 2) No PKD signal (Q3, 4, U10, 16, 20, 26, 27).

- 2) Character continually repeated:
 - A) Strobe line held low (U10, 11).
 - B) Repeat oscillator malfunctioning (U3, C3, R4, 5).
 - C) Addressable latch output low (U12).
- 3) Shift, shift lock, upper case, local, control, break, tab keys not functional:
 - A) Bad addressable latch (U12).
- 4) LED's won't light:
 - A) Bad LED's.
 - B) Bad driver (U24).

NOTE: All mods involving grounding should be 20 gauge solid, insulated wire. All mods involving signal paths should be no greater than 26 gauge and no less than 30 gauge insulated wire.

Sol

REV D to E

The following is a complete list of changes necessary to modify a Revision D Sol to a Revision E Sol. These changes are illustrated in Figures A & B for your convenience:

1. CLOCK WIDTH FIX: -----

On component side of Sol PCB, cut the trace between jumpers D and E (U90 and U91) of the clock generator. On the solder side of the PCB, connect a jumper from pin E to the feedthrough which leads to U91 pin 5. This brings PHASE 1 into 8080 spec at 140 ns rather than 70 ns without this mod.

2. PHANTOM GLITCH FIX: -----

On the solder side of the PCB, connect a jumper from U76 pin 4 to the feedthrough immediately below U76 pin 1. This assures the Sol will always power up with 4 PHANTOM cycles.

3. GROUND NOISE FIX: -----

On the solder side of the PCB, jumper pin 8 of U33, U50, U68 and U81 to the ground feedthrough leading to C45. Use 20 gauge insulated solid wire and keep the leads as short as possible. The fix shortens the return path to ground from the bus drivers. On occasion the present return path can be quite noisy.

4. PROTECT FIX: -----

On the solder side of the PCB, connect a jumper from the ground side of C11 to pin 70 of the 100-pin bus connector J11. This will ground the PROTECT line which is currently floating. Again, use 20 gauge insulated solid wire.

✓5. DMA/INTERRUPT UNSCRAMBLE:

On the component side of the PCB, cut the trace leading to pin 73 of J11 (S100 connector). Cut the trace leading to pin 1 of U45 on the solder side of the PCB. Also on the solder side, cut the second trace to the right of U64.

Jumper pin 73 of J11 to pin 1 of U45. Jumper from pin 28 of J11 to the feedthrough which formerly led to pin 73 of J11 before the trace was cut. Jumper the feedthrough directly below pin 1 of U45 to the feedthrough to the right of U64 pin 3. This fix will allow the Sol to be used with DMA devices. Helios II, and other DMA devices will not work without this fix.

✓6. MWRITE FIX:

On the solder side of the PCB, cut the trace leading to pin 7 of U93. On the solder side, cut the trace leading to the feedthrough immediately below pin 1 of U92. DO NOT CUT THE TRACE LEADING TO U92 PIN 1!! Connect a jumper from this feedthrough to pin 13 of U107.

On the solder side, jumper the feedthrough leading to U94 pin 9 to the trace which formerly led to U94 pin 7 before the trace cut. This fix decodes the MWRITE signal from SOUT and PWR even when a DMA device has disabled the Status Drivers. This is especially important to memory boards which require MWRITE and do not decode PWR and SOUT internally and DMA devices (such as Helios) which do not supply their own MWRITE to the bus.

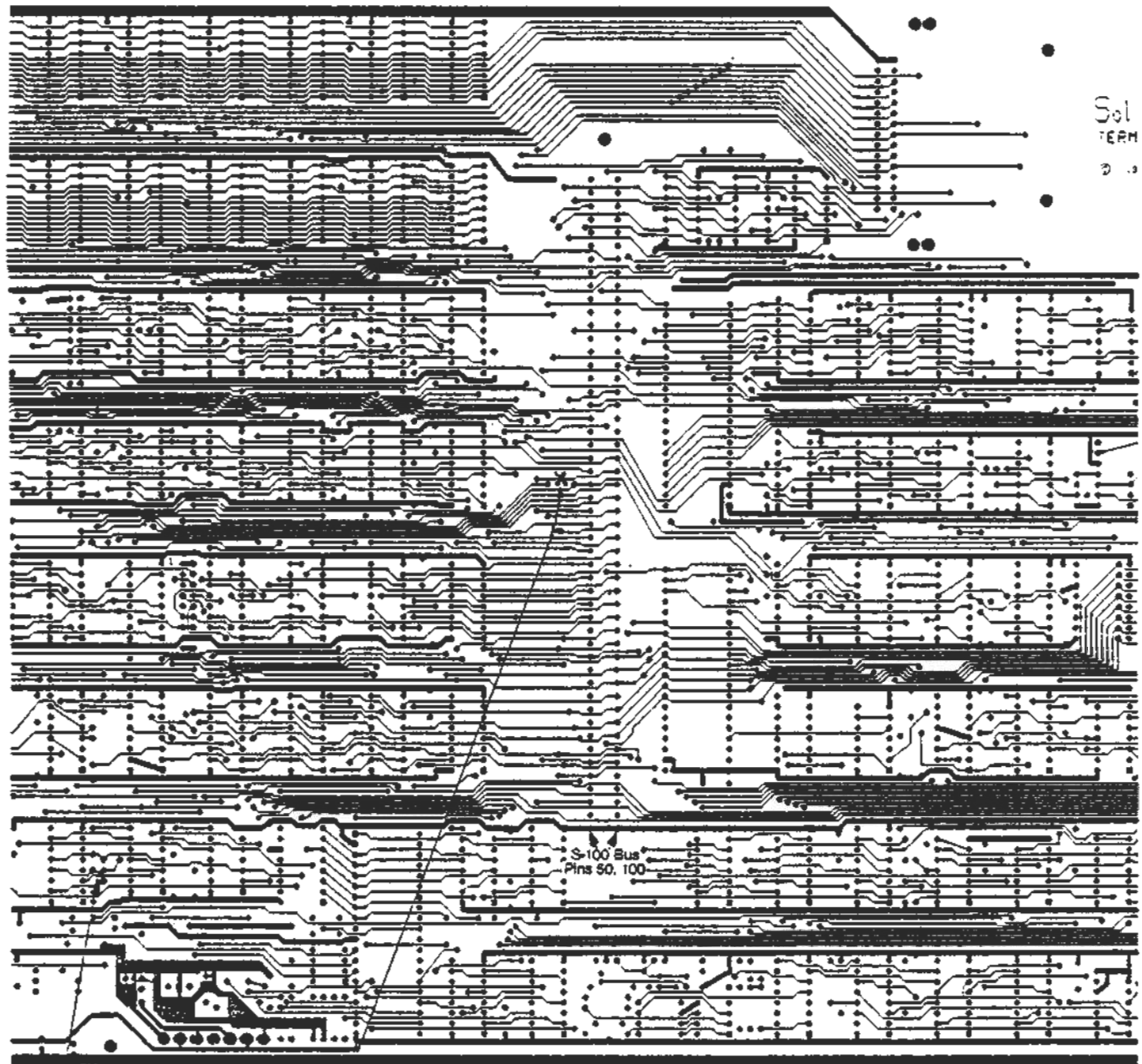
✓7. CURRENT LOOP FIX:

Cut the large trace which leads to R23 and R24 on the solder side of the PCB. Connect the now isolated end of R23 to the +12 Volt feedthrough as shown in Figure B.

8. CASSETTE RELAY FIX:

On component side of Sol PCB, cut the trace leading to the hot lead of J9. On the solder side connect a 6.8 ohm, 1/4 watt (5%) resistor between the hot pin of J9 and cathode (banded end) of D14. Also on the solder side, cut the trace leading to the hot pin of J8 to the feedthrough isolated by the trace cut. This change is adding a series resistance to the cassette drive jack to limit the amount of current drawn by the cassette motor from the reed relays. Certain models of cassettes might draw excessive current and burn out the relays without this fix.

NOTE: These changes were elaborated in Issues 2 and 3 of ACCESS.
(April and June of 1977)



Sol
TECH
2 3

S-100 Bus
Pins 50, 100

PROCESSOR TECHNOLOGY
COMPONENT SIDE
P-ART-5 9-1-76

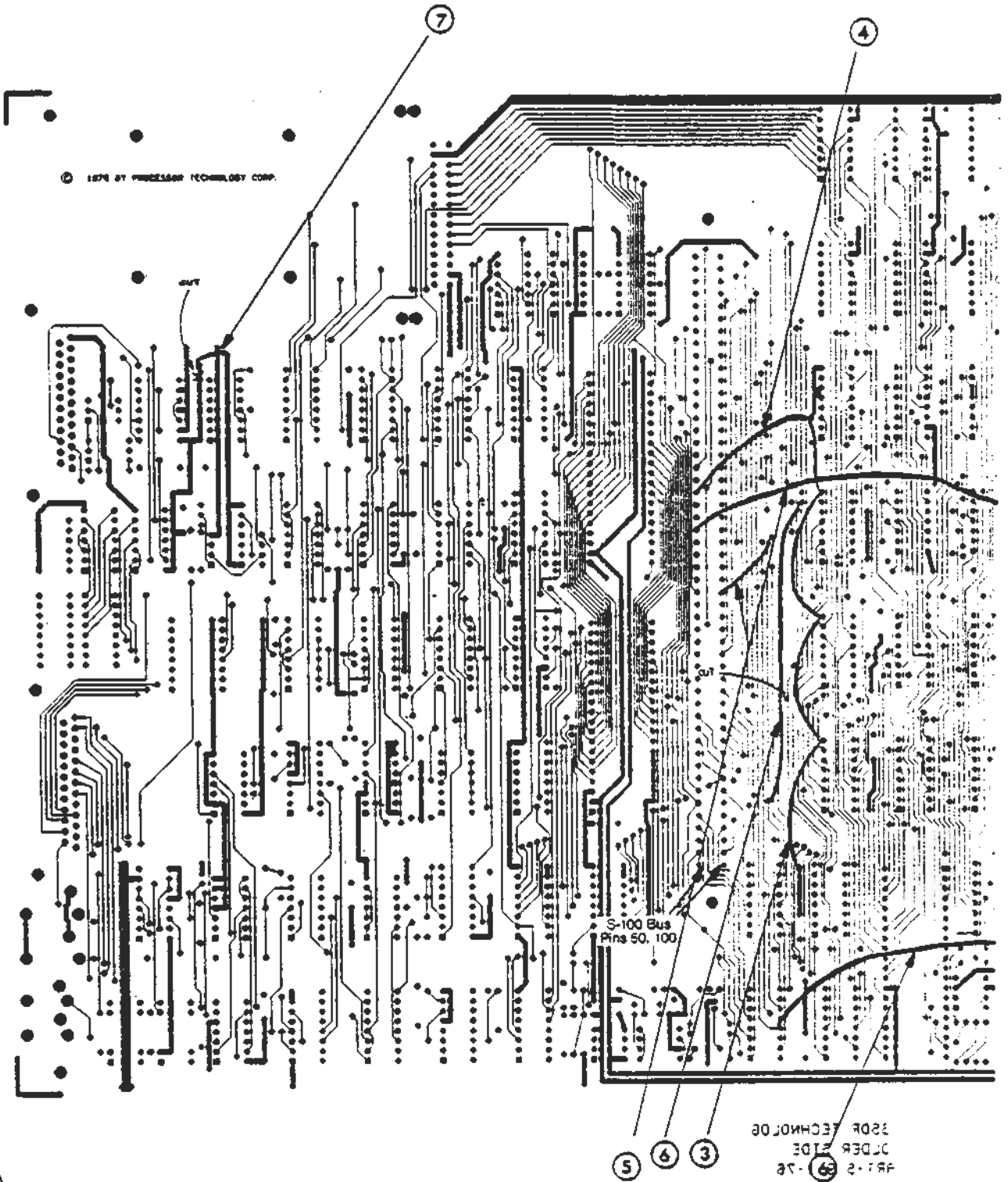
1

5

Sol-PC (Rev. D)—Component Side

Figure A

© 1978 BY PROCESSOR TECHNOLOGY CORP.



Sol-PC (Rev. D)—Solder Side
Figure B

Sol

REV E to F

The following is a list of changes to bring a Revision E Sol to a Revision F Sol:

1. Substitute a 270 ohm, 1/4 watt (5%) resistor for R21 (formerly a 470 ohm resistor).

This change is to increase the drive capability of the serial current loop and was elaborated in CHANGE NOTICE #10.

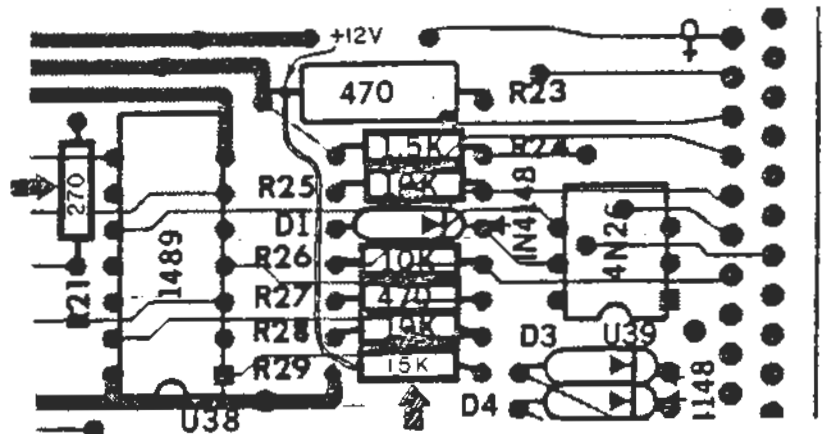
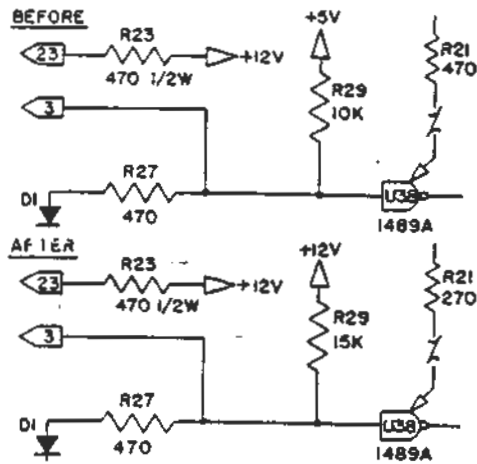
2. Change the value of VR3 from 50K pot to a 100K pot. This allows a wider range of variation when adjusting the VCO center frequency to account for part variation among vendors. Also, change the value of R154 from 100K to 47K.

To reset this frequency, turn Sol on and measure pin 4 of U110. It should read 14.0 KHz or 71.4 usec. This change is advised in CHANGE NOTICE #11.

3. If your Sol has a revision B Regulator PCB, it may be necessary to perform a mod to the crowbar circuit to enhance its reliability. These changes may be found in CHANGE NOTICE #6-2, REV C.

The following are the changes from a Revision F Sol to a Revision G Sol:

1. Substitute a 15K, 1/4 watt (5%) resistor for R29 (formerly a 10K resistor). Substitute a 270 ohm resistor in place of R21 (formerly a 470 ohm resistor). Install 1" length of tubing on R29 and bend lead near resistor body to form a 90-degree angle. With the PCB legend in the normal reading position, connect the angled end of R29 to the left hand lead of R23 (470 ohm). This connects the resistor to +12 Volts. See diagram below for details. This change was covered in CHANGE NOTICE #10 and is to increase the drive going into U38 of the serial current loop input.



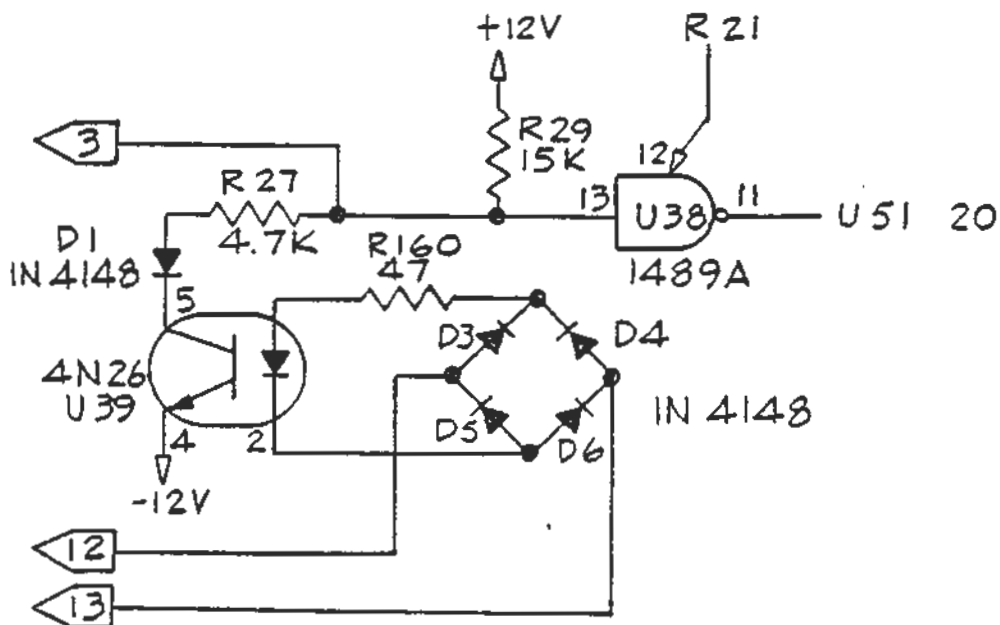
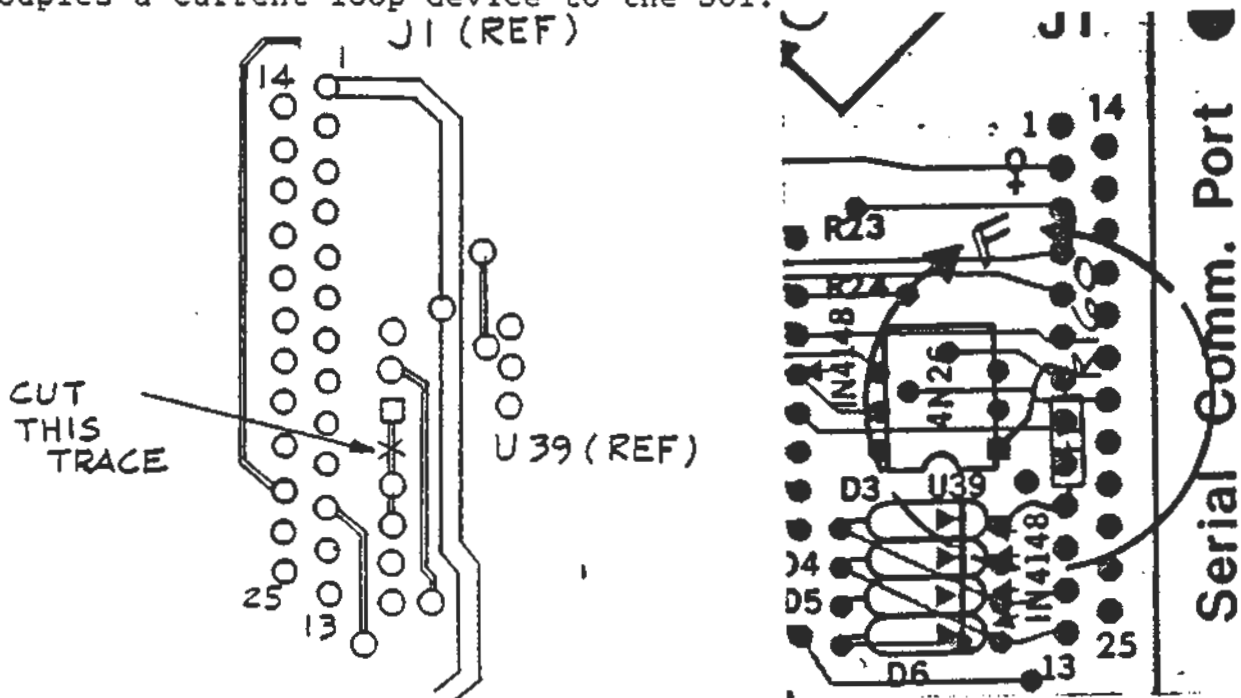
Sol

REV G to REV H

The following changes bring Revision G Sols to Revision H level:

1. Change the value of R27 from 470 ohms to 4.7K ohms.
2. On the solder side of the PCB, cut the trace connecting U39 pin 1 to the cathode of D3. Check with an ohmmeter to be sure the cut is complete.
3. Wrap one lead of R160 (47 ohm resistor) around pin 1 of U39 (4N26) and wrap the other end around the cathode end of D3 (band side of 1N4148). Solder both leads of R160 and check for possible shorts.

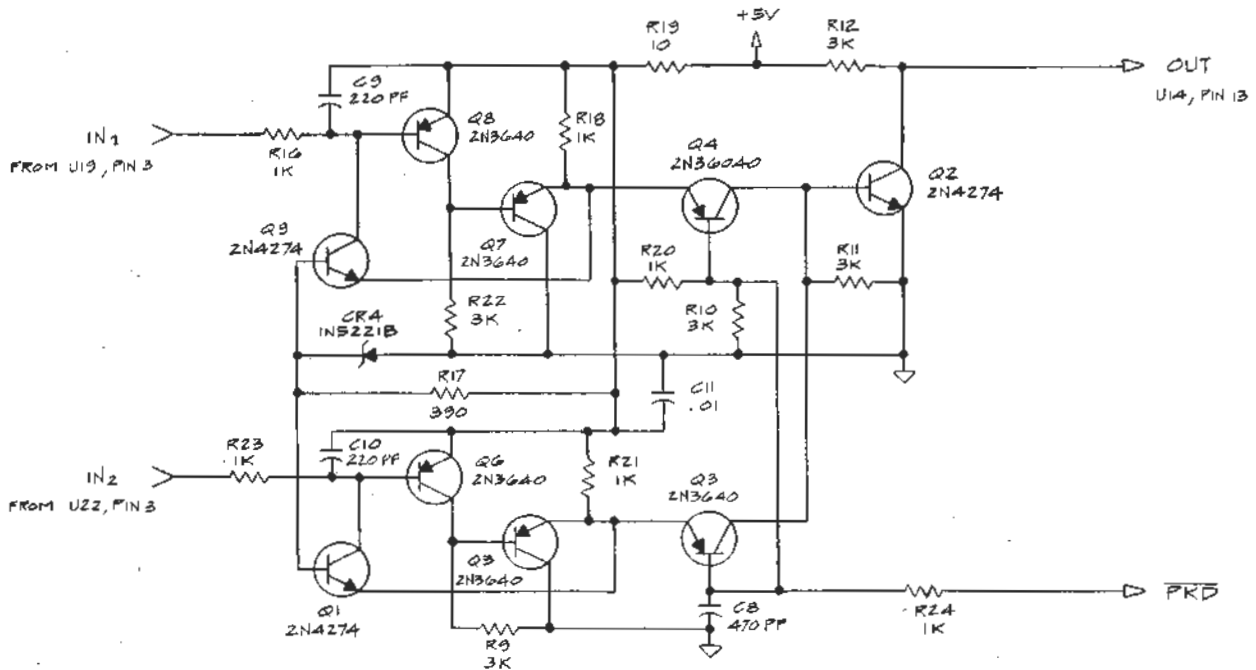
This change was to enhance the reliability of the opto-isolator which couples a current loop device to the Sol.



So1 MANUAL ADDENDUM #1

Reference Section X, Drawing X-23.

A block function labelled "K.T.C." is shown between U-19 and U22, and U14. This block contains the Capacitive Switch Detector Circuit. The parts constituting this circuit are listed, and the assembly covered in Section V of this manual. The theory of operation is covered in Section VIII. At the time of publication of this manual, operation of this circuit was proprietary information, but has now been released. The schematic is shown below. Note on the schematic X-23 that this detail is shown here on this page.



A 1 6/77

Cassette Recorders for use with Sol

Not all audio cassette recorders are suited for data storage use with the Sol. The following models have been tested and approved by Processor Technology:

1. Panasonic RQ-413AS
2. Realistic CTR-21

Some users have reported unsuccessful results with the Panasonic RQ-309 and the J. C. Penny Catalog #851-0018. If you should wish to select a different model, the following features, included on the models above, are necessary:

1. An AUX input. Although the Sol can be jumpered for low level Microphone level input, the procedure is no longer recommended.
2. A digital counter. The counter is necessary in locating programs on the cassette.
3. A tone control. The existence of a tone control is one indication of high quality electronics.

Even though a recorder has the three features, there is no guarantee that it will work properly for the purpose. Recorders vary greatly in the quality of their electronics. If possible, test the recorder with a long file before purchasing it, in both record (SAVE) and playback (GET or XEQ) mode. If the recorder is not working properly, either you will get an error message, or you will find differences between what was recorded and what was played back.

Observe the following pointers for best results:

1. Keep the recorder at least a foot away from the Sol, or other equipment which can generate magnetic fields. The recorder can pick up hum which may generate errors.
2. Keep the tape heads cleaned and demagnetized in accordance with the manufacturer's instructions.
3. Use high quality brand-name tape. Cheap tape can wear down the tape heads and give erratic results.
4. Bulk erase tapes before using.
5. Keep the cassettes in their protective plastic covers, in a cool place, when not in use. Cassettes are vulnerable to dirt, high temperatures, liquids, and physical abuse.
6. Set the tone control at midrange, and set the volume control about 2/3 full volume. The Sol has an automatic gain control circuit which compensates for a wide range of levels, but operation in the middle of this range will

give the most reliable results. Experiment to find the best setting of volume and tone controls.

7. On some cassette recorders, the microphone can be live while recording through the AUX input. Deactivate the mike in accordance with the manufacturer's instructions. In some cases this can be done by inserting a dummy plug into the microphone jack.
8. During recording, some recorders present the signal being recorded at the monitor or earphone output. In a system with two cassette recorders this could cause problems if an attempt was made to read from one recorder while the other was writing. Since both recorders share the same audio lines, the monitor output of the recorder which was recording could interfere with the signal being read from the other recorder.
9. If you record more than one file on a tape side, SAVE a special file, which could be named END, to let you know when you have played past the files of interest. After recording the last file on a side, rewind the tape, set the digital counter to zero, and issue a CATalog command (see SOLOS/CUTER User's Manual). As each file header is displayed, make a note of the reading on the digital counter, the exact name of the file, load address, and file length. Mark the cassette with this information to make file retrieval much easier.

If you experience a read error, use the following procedure to isolate the problem:

1. Check for proper settings, and make sure you have followed the pointers above.
2. Check cables for intermittent connections and shorts.
3. Note the exact reading of the digital counter at the time of the error.
4. Rewind the tape and try to read the same part of the tape again. If the tape reads without errors this time, the error was not recorded on the tape. If there is a read error at the same point, then the error is recorded on the tape.
5. Rewind the tape and record a file on the same part of the tape. Read the file. If the tape reads without errors, then the original read error was generated during the recording process. If there is still a read error at the same point, then the cassette itself is faulty.

Sol MANUAL ERRATA NOTICE #3

1. Reference Section X, Drawings, Drawing X-17, Input/Output.

In the Baud Rate Generator section of this schematic, the function of switch S3-7 is incorrectly shown as selecting 2400/4800 Baud, and S3-8 is incorrectly shown as selecting only 9600 Baud. Change the schematic to show that S3-7 selects 2400 Baud only, and that S3-8 selects 9600/4800 Baud. Draw a line connecting points L and M to indicate a jumper.

2. Reference Section VII, page VII-15, Table 7-2.

In the Baud Rate column of this table, change "4800***" to read "9600***". Also, in the footnote with the triple asterisk, change the phrase "SDI operates at 9600 Baud..." to read "SDI operates at 4800 Baud..."

ASSEMBLY PROCEDURE CHANGE NOTICE #6-2 Rev B

This Change Notice concerns the Sol-REG board and applies only to Revision Level B boards.

A problem was detected in early Sol-REG boards in which the "crow-bar" circuit would trigger without adequate cause and short circuit the 5-volt output. A circuit change has been made which will be reflected in Revision Level C and above boards to correct the problem. Revision Level B boards, however, require the following modification to correct the problem. Parts for this modification are supplied with your kit:

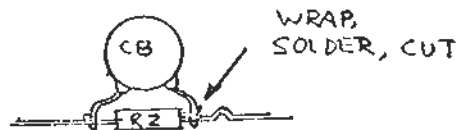
- 1) R2, 330 ohms, 1/4 watt, color code orange-orange-brown
- 2) R14, 100 ohms, 1/4 watt, color code brown-black-brown
- 3) D1, 1N5231B
- 4) C8, 0.047 uF disc ceramic

Assemble these parts as follows:

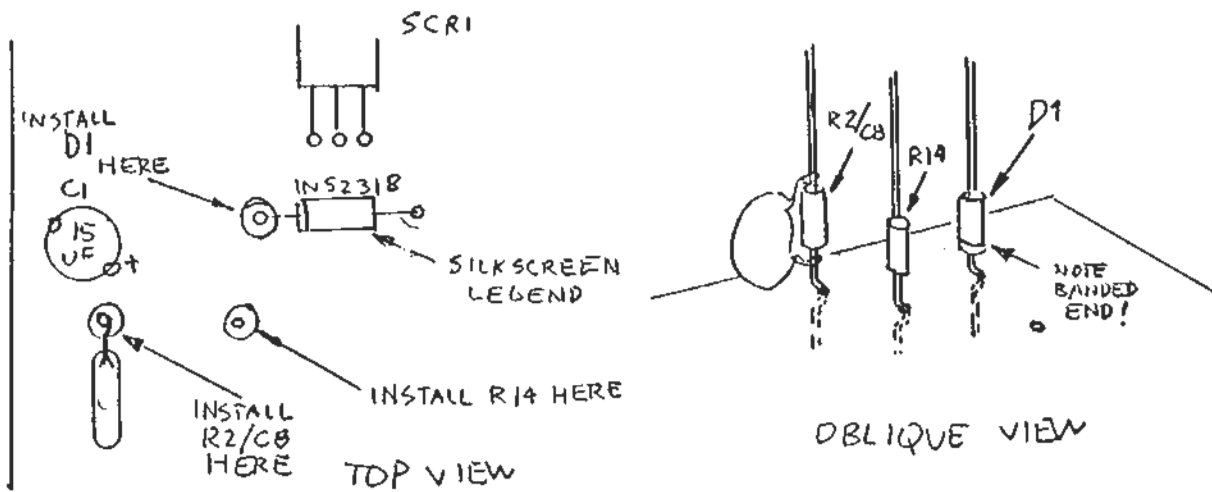
1. Form one lead of R2, R14, and the cathode (banded) lead of D1 for upright P.C. insertion as shown:



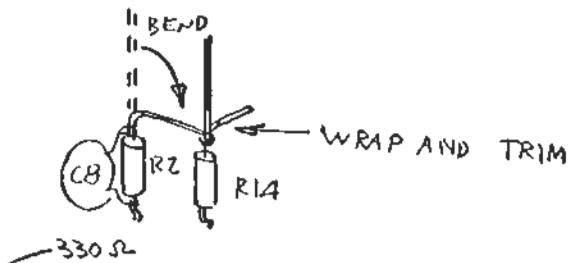
2. Solder C8 in parallel with R2 as shown:



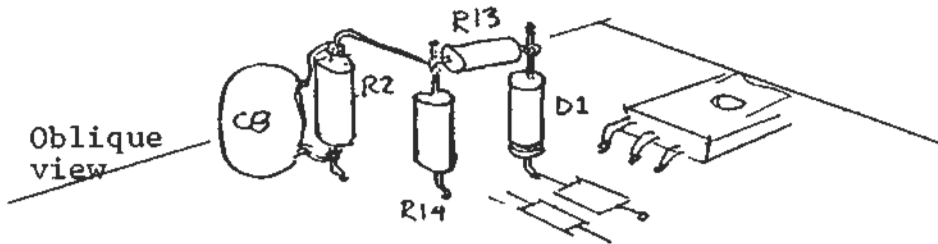
3. Install and solder R2-C8, R14, and D1 as shown below. Install the formed leads into the board with the unformed leads vertical. Position R2-C8 so that the body of C8 is parallel to the board edge and oriented away from C1.



4. Bend the top lead of R2-C8 over towards R14, and bend it around the top lead of R14 one-eighth inch from the body of R14. Solder, and trim the excess lead of R2-C8 only.



5. Install R13 between the top leads of D1 and R14. Wrap R13's leads around R14 and D1 leads. Solder all connections at both points, and trim excess lead lengths. The resulting final configuration is shown below.



Schematic Diagram X-12 of the regulator includes these changes.

Sol MANUAL

ASSEMBLY PROCEDURE CHANGE NOTICE #6-2 REV C

Subjects: Crowbar Fix for Sol Rev B Regulator P.C. Board
Flat Washers in Final Cabinet Assembly

To enhance the reliability of the crowbar circuit which protects circuitry from overvoltage on the +5 volt supply, add the following additional parts, supplied with your kit, to Sol-Reg. Use the procedures given below after completing Step 13 of Section II, Sol Power Supply Assembly and Test. Make a note in your manual after Step 13 to remind you to do the additional steps below. Refer to the drawing on the next page as you add the parts to Sol-Reg.

Select the following additional parts from your kit:

- 1) R13, 330 ohms, 1/4 watt, color code orange-orange-brown
- 2) R14, 100 ohms, 1/4 watt, color code brown-black-brown
- 3) D5, 1N270
- 4) C8, .047 disc ceramic

() Step 1. Pass the two leads of C8 under the two leads of R2 (330 ohms) and bend around the leads of C8, close to the body of the resistor. Solder and trim the leads.

() Step 2. Wrap the leads of R14 around the right-hand leads of SCR1 and R2 (330 ohms), dressing the leads as shown in the drawing. Make sure the leads of R14 do not short to other leads of SCR1 or D1. Solder the lead to SCR1, but not the lead to R2 (330 ohms).

() Step 3. Wrap one lead of R13 (330 ohms) around the same right-hand lead of R2 (330 ohms), with the position of R13 parallel to D1 (1N5231B) as shown below. Solder the two leads which are wrapped around R2.

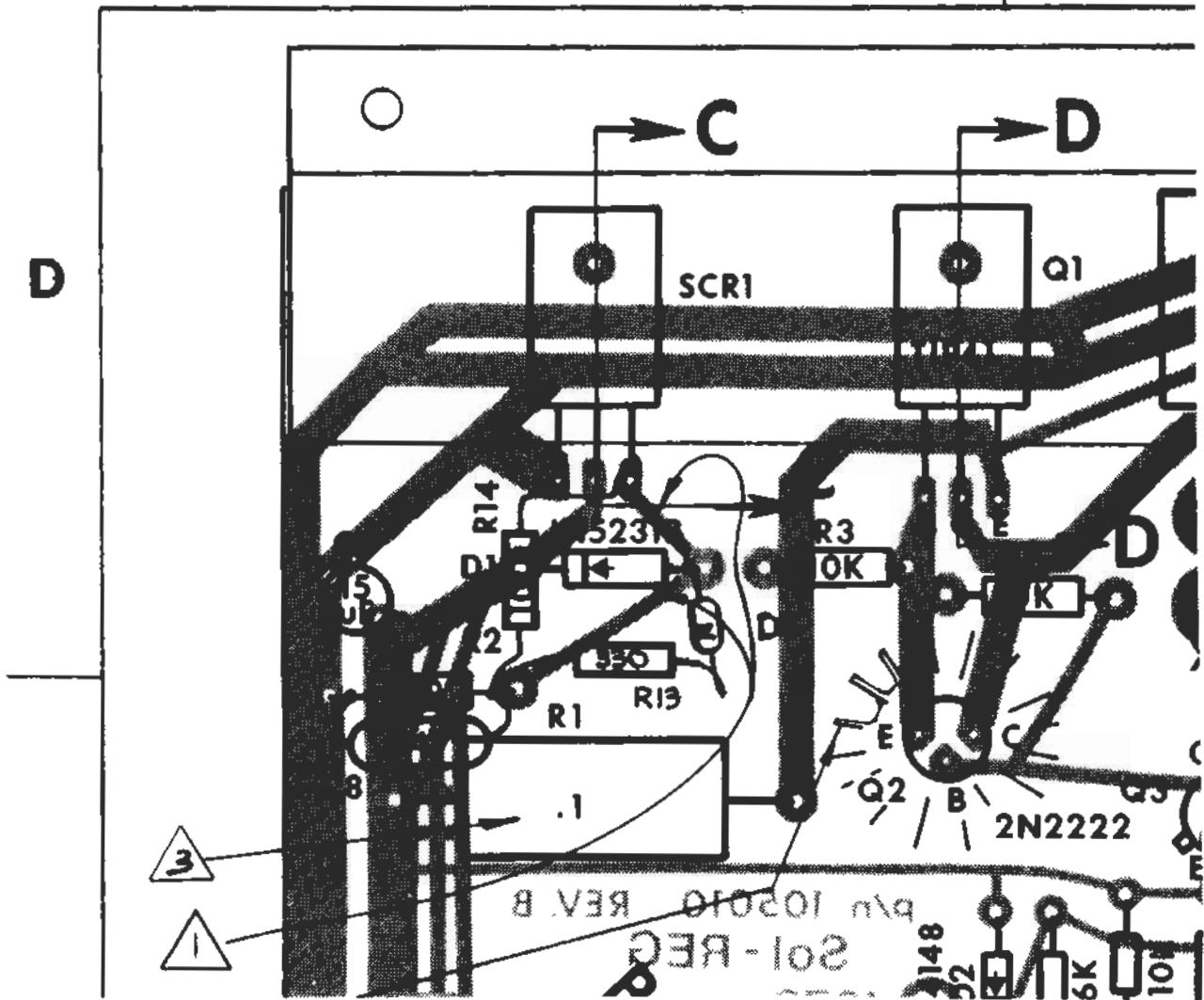
() Step 4. Wrap the leads of D5 (1N270) around the anode end (opposite banded end) of D1, and the loose end of R13 (330 ohms). Make sure the cathode (banded end) lead of D5 is connected to R13, not D1. Solder both ends of D5.

() Step 5. Trim all excess lead lengths, check lead dress, inspect for possible shorts or solder bridges.

The parts you have added are shown on the schematic Drawing X-16, with the exception of D5, which may be added by hand.

Add the underlined words to the second paragraph of Step 30, Section 6.6.3: "...pan head screws, #4 lockwashers, and #6 flat washers. Place lockwasher then flat washer on screw..." Add the following item to Hardware in Table 6-1: "8 (each) #6 flat washers." Add the following sentence at the end of Section 2.2.1: "Refer to the assembly drawing on page 2 of Assembly Procedure Change Notice #6-2 REV C, as you assemble the regulator."

4



Cut these traces on the solder side of the PCB and add R13, R14 and C8 as shown.



Mount R1 approximately .15 from board surface.

<u>Item</u>	<u>Page No.</u>	<u>Figure or Step No.</u>	<u>Changes</u>
13	III-25	Step 28	Add note before Step 29, "Do Step 73 (p III-39) now."
14	III-27	Step 35	Add note to install: () U93 74LS175, and () U106 74LS175
15	III-30	Step 41	Delete installation of: () U93 74LS175, and () U106 74LS175
16	III-39	Step 71	Add note: "Mike input not recommended".
17	III-28	Step 38	In the third sub-step, add: "as in Figure 3-9".

In item 10 above, you made a note referring you to this Change Notice. Instead of the adjustment procedure given in Step 70 on page III-38, use the following procedure:

- () Ground the "Audio In" jack J7 on Sol-PC.
- () Apply power to Sol-PC.
- () Using a high-impedance probe from an oscilloscope with a calibrated time base (a frequency counter is preferred, if available), monitor the VCO frequency appearing at pin 4 of U110 (type 4046).
- () Adjust VR3 for a measured frequency of 14.0 kHz. This is a period of 71.4 usec.

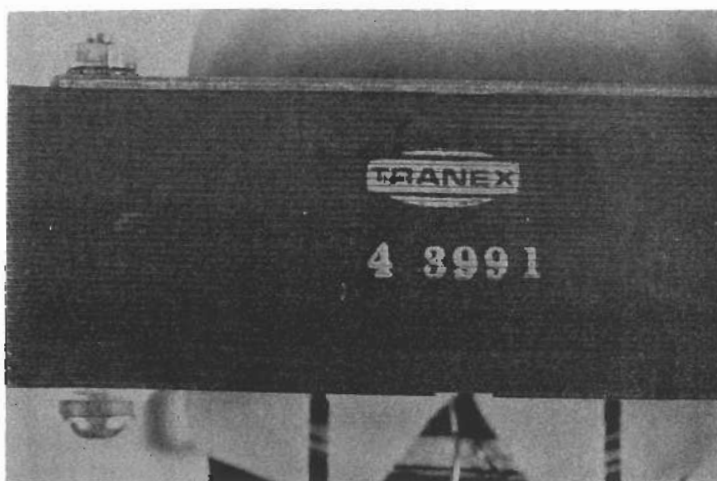
Due to variations in the availability of ICs from various suppliers, a number of substitutions may be made of equivalent IC types. Please make the following changes in the manual on the pages given to reflect these possible substitutions:

<u>Item</u>	<u>Page Nos.</u>	<u>ICs</u>	<u>Main Type</u>	<u>Additional Substitutes</u>
1	III-2, III-35	U95,6	74173	8T10
2	III-2, III-13	U104	AM0026	MH0026, 0026, "xx"0026
3	III-2, III-28 III-38	U51, U69	TMS6011NC	S1883, AV-5-1013, TR1602B
4	V-2, V-7	U1, U2	74LS175	25LS175
5	V-2, V-7	U18	8574	many possible equivalents

CHANGE NOTICE #9

Refer to the Sol Systems Manual, Section X, drawing X-14. The main power transformer, Sol-T2, supplies power for the +8 V dc unregulated supply, which is used by S100 cards plugged into the backplane. Distributed regulators on each S100 card reduce this voltage to +5 volts regulated. Some Sol-T2 transformers supplied with the Sol 20 kits were designed for brown-out conditions; even though the A. C. power line voltage should drop below normal tolerances, these transformers can maintain the unregulated supply so that the +5 volt regulators do not drop out of regulation. Unfortunately, these transformers can provide over +11 volts at a normal line voltage of 120 volts. If the unregulated supply is lightly loaded by boards in the backplane, and the boards in the backplane place heavy demands on their +5 volt regulators, the result can be excessive dissipation in the regulators, activating their normal thermal shut-down circuitry. The power supply circuit can be modified with the addition of a bucking transformer which reduces the effective primary voltage at Sol-T2 by 10 or 20% thus reducing the unregulated supply by 10 or 20% to eliminate the problem. This modification is recommended for all Sols which have the brown-out transformers, if they are used at a line voltage of 110-120 v.a.c. A schematic of the new circuit is shown below.

The transformers can be identified by looking for markings on the laminations of the transformer, on either the top or sides. If the marking "Sol T2" in large letters is found as in the photos below, no modification is necessary. If the marking "4 3991" in small letters is found, make the modification. If any other or no marking is found, contact Processor Technology for further information. If a voltmeter is used to confirm an



overvoltage condition, unplug all boards in the backplane, disconnect the five-pin molex connector which supplies power to the backplane board, and make the measurements at the connector between the blue wire, +8 V dc, and the end white wire, ground.

The following parts are included in the modification kit:

- (1) Triad F-57X 25.2 Volt CT Transformer, modified
- (1) Molex commoning block, (07-01-70)
- (1) 6-32 by .5" machine screw
- (1) 6-32 hex nut
- (1) #6 lockwasher
- (5) Tywraps

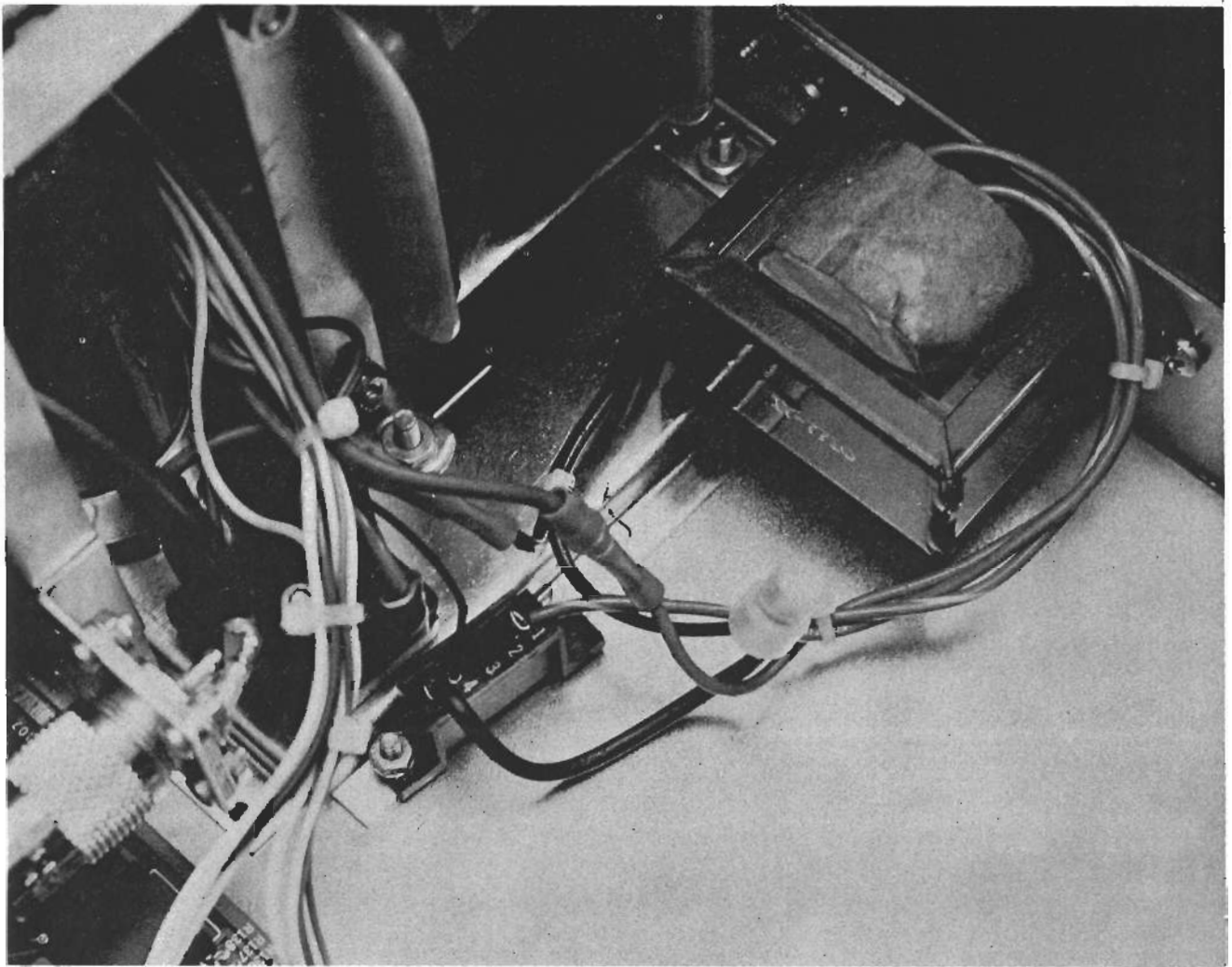
With the covers removed from the Sol, and facing the front (keyboard) side, perform the following modifications:

- 1) Remove the A.C. line cord, and video cable from the rear panel.
- 2) Remove the four screws and lockwashers which hold the keyboard circuit board in place.
- 3) Remove the keyboard from the Sol and detach the interconnecting cable from J3 on the main circuit board.
- 4) Remove the two 8-32 by .5" screws on the right-hand chassis lip between the Sol-T2 transformer and the keyboard bracket. These screws go into inserts in the wood side panel. See the photo below for assembly details.
- 5) Place the new bucking transformer into position over the two holes from which the two 8-32 screws were removed, with the two black primary leads down, and the three secondary leads up. Reinstall the two screws and tighten.
- 6) Locate the #6 sheet metal screw in front of the MDA 980-1 bridge rectifier, from the photograph. Remove the screw from the bottom of the Sol chassis, and insert the 6-32 by .5" from the modification parts in its place.
- 7) Place the new commoning block over the screw and secure with the #6 lockwasher and 6-32 nut.
- 8) Remove the fan closure plate (designated part 1 in drawing X-1) from the chassis, as follows: Remove one screw from the bottom center of the plate, which holds the plate to the rear of the chassis. Remove two additional screws which go through the expansion back chassis into the lip of the fan closure plate. Lift the plate out vertically by rocking back and forth - it may be a tight fit.
- 9) Examine the cabling within the power supply. Two new wires must pass through this cabling from the area of the new transformer to the two existing commoning blocks beside the fan. Cut tywraps as necessary to accomodate the new wires.
- 10) Remove the black lead which is inserted into the number 2 position of the commoning block which is nearest the fan.

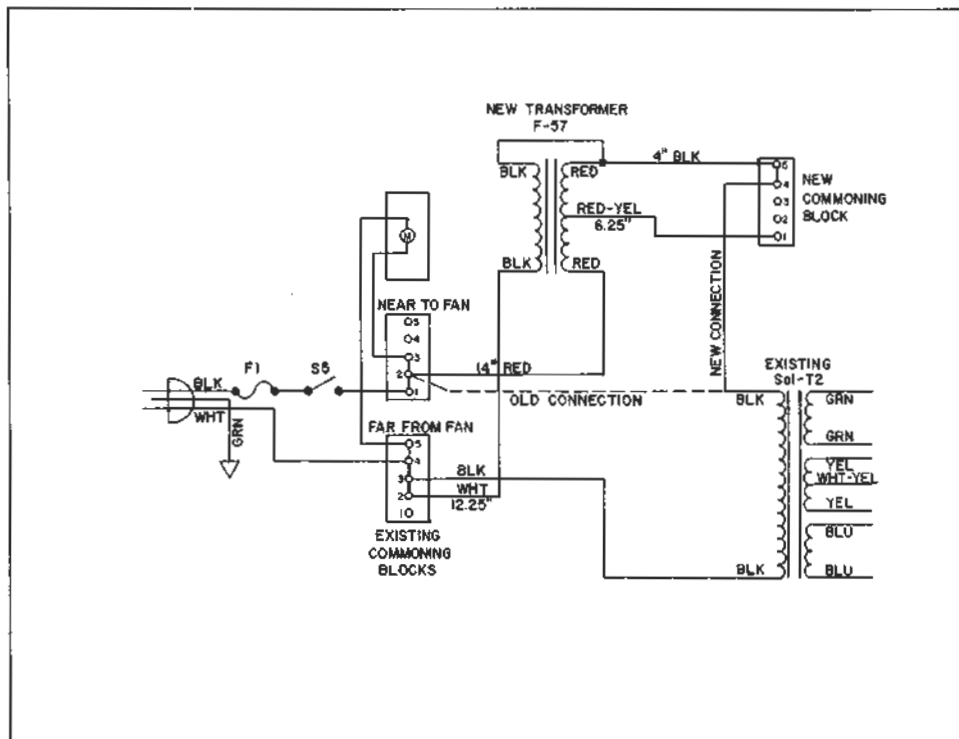
This lead is from the Sol-T2 transformer. Separate this lead from the twisted pair, back to its origin at the transformer.

- 11) Note that each of the leads to the new transformer has a different color: white, red, black, and yellow-red. Twist together the red and white wires into a twisted pair and route the pair beside Sol-T2, through the existing power supply cabling, to the two existing commoning blocks.
- 12) Insert the molex crimp pin from the red lead into position 2 of the commoning block nearest the fan, from which the other transformer lead was just disconnected. Push the crimp pin firmly into place until it clicks. Try to pull it out gently to confirm that it is properly seated.
- 13) Insert the crimp pin from the white lead into the position 2 of the commoning block farthest from the fan.
- 14) Insert the crimp pin of the black lead of the new transformer into position 5 of the new commoning block near the bridge rectifier.
- 15) Insert the crimp pin of the red-yellow lead of the new transformer into position 1 of the new commoning block.
- 16) Determine the line voltage at which the Sol will typically operate by a measurement or averaged series of measurements using an A.C. voltmeter.
- 17) If the typical line voltage is under 112 v.a.c., insert the crimp pin of the black lead of Sol-T2 which was previously detached into position 2 of the new commoning block, for a 10% voltage reduction at the primary of Sol-T2.
- 18) If the typical line voltage is over 112 v.a.c., insert the same crimp pin into position 4 on the new commoning block for a 20% voltage reduction.
- 19) Dress all leads, and install the tywraps provided to the cabling within the power supply.
- 20) Push the fan closure plate back into position and secure with the three screws which were removed.
- 21) Plug the cable from the keyboard into J3 on the main circuit board. J3 is to the right of a similar jack.
- 22) Place the keyboard back into position and secure with its four screws and lockwashers.
- 23) Apply power and measure the unregulated supply using the procedure described above, to confirm a 10 or 20% reduction.

Keep the pages of this notice in the Updates section of the Sol Systems Manual. Detach the schematic from page 4 and tape it into the blank area on drawing X-14.



CUT ALONG LINE

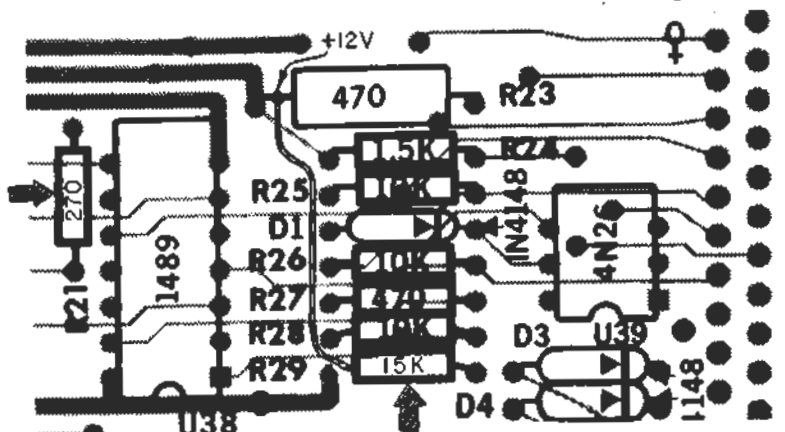
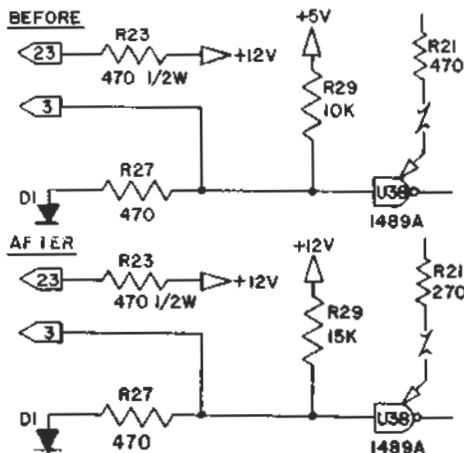


CHANGE NOTICE #10

Refer to Section X, Drawing X-17, Serial Data Interface/U.A.R.T. block. The section of U38 which has its input connected to pin 3 of J1 (Serial Loop Current Source) may not have enough drive at its input under worst case conditions, with the present values of R29, the input pull-up resistor, and R21, the resistor connected to pin 12 of U38. Substitute a 15K, 1/4 watt, 5% resistor for R29 (shown as 10K), and a 270 ohm, 1/4 watt, 5% resistor for R21 (shown as 470 ohm). These parts are included in the kit. Note in the schematics below that R29 is to be returned to +12 instead of +5. When R29 is installed, put the .9" length of tubing over the right hand lead. Clip this lead .1" longer than the tubing. With the legend on the P.C. board in normal reading position, hook this lead around the left-hand lead of R 24, a 1.5K resistor, and solder. Inspect the solder joint and lead dress for shorts. An assembly drawing detail of this modification is shown below.

Make the following changes in the manual before assembling Sol-PC.

Step	Page No.	Figure No., if any	Changes
1	X-17	Schematic, Input/Output	Change R21 value to 270 ohm
2	X-17	"	Change R29 value to 15K
3	X-17	"	Change R29 return to +12 V
4	X-3	Sol-PC Rev E Assembly	Change R21 value to 270 ohm
5	X-3	"	Change R29 value to 15K
6	X-3	"	Change R29 return to +12 V
7	III-3	Sol-PC Parts List	Add 1 270 ohm 1/4 watt, 5%
8	III-3	"	Change Qty. 470 ohm 1/4 watt to 2
9	III-3	"	Change Qty. 10K ohm to 31
10	III-3	"	Change Qty. 15K ohm to 2
11	III-33	Step 50	Change R21: 270 ohms, red-violet-brown
12	III-33	"	Change R29: 15K ohms, brown-green-orange
13	III-33	"	Under Step 50 instructions add: "See Change Notice #10"



Serial Comm. Port

Processor Technology

Processor Technology
Corporation

7100 Johnson Industrial Drive
Pleasanton, CA 94566

(415) 829-2600
Cable Address - PROCTEC

Sol MANUAL - CHANGE NOTICE

CHANGE NOTICE #11

Refer to Section X, Drawing X-19, Sol Audio Tape I/O Schematic. U110, a 4046 phase-locked-loop IC, has its VCO center frequency adjusted by VR3, shown as a 50K potentiometer. The upper frequency limit of adjustment is determined by R154, shown as a 100K resistor. The lower frequency limit is determined by the total resistance of VR3 and R154. Due to extreme variations in the specifications of this part among various vendors, the range of adjustment provided by VR3 and R154 is occasionally insufficient. To correct this problem, the value of VR3 has been changed to 100K, and the value of R154 has been changed to 47K. Parts of these new values have been included in your kit or assembled Sol. To insure that the parts are correctly installed if you have a kit, and in any case to insure that the manual reflects these changes, make the following notes in the manual:

<u>Item</u>	<u>Page No.</u>	<u>Figure or Step No.</u>	<u>Changes</u>
1	X-19	Schematic	Change VR3 value to 100K
2	"	"	Change R154 value to 47K
3	X-3	Sol PC Assembly	Change VR3 value to 100K
4	"	"	Change R154 value to 47K
5	III-3	Table 3-1.	Change Qty 47K resistor to 2
6	"	"	Change Qty 50K pot. to 2
7	"	"	Add 1 100K pot.
8	"	"	Change Qty 100K resistor to 3
9	III-36	Step 60	Change R154 value to 47K, yellow-violet-orange; VR3-100K
10	III-38	Step 70	Add note: "See Change Notice #11."
11	III-7	Section 3.4	Under item 11, Oscilloscope, delete "(optional)", add "with calibrated time base".

Make the following additional changes in the manual, unrelated to the substitution of new values for VR3 and R154:

11	III-24	Step 28	After sub-step relating to Figure 3-8, add note: "Adjust VR1 and VR2 for centering of the display."
12	"	"	In last sub-step on this page, change U49 to U59.

Sol MANUAL

CHANGE NOTICE #13

SUBJECT: Side Panel Assemblies. Supersedes Change Notice #12.

The two wooden side panels of the Sol are now supplied as completely assembled and finished subassemblies consisting of the walnut and masonite side pieces, the tinnerman plastic inserts, and 5/8" wood screws presently listed in the Parts List, Table 6-1. Section 6.6.2 contains the procedure which was used to assemble the panels. The procedure may be useful if it becomes necessary to refinish the walnut pieces; otherwise it is no longer necessary. Write the following note in the manual on page VI-8 next to the heading for Section 6.6.6: Skip to 6.6.3.

To achieve a better grip in the tinnerman plastic inserts in the side panels, the 10 screws which mate with the inserts have been changed from type 8-32 to type 10-24.

Document these changes in your manual now by making notes in the manual as indicated below. This will save you confusion later during assembly.

1) Change Table 6-1, page VI-2, as follows:

- a) Change "1 Left Side Piece, Walnut" to "1 Left Side Assy."
- b) Change "1 Right Side Piece, Walnut" to "1 Right Side Assy."
- c) Delete "1 Left Side Piece, Masonite".
- d) Delete "1 Right Side Piece, Masonite".
- e) Change quantity 8-32 x 1/2 Screw, Machine from 11 to 3.
- f) Change "2 8-32 x 1 Screw, Machine" to type "10-24".
- g) Delete "12 5/8 Screw, Wood".
- h) Delete "10 Tinnerman Plastic Inserts, Tapped".
- i) Add "8 10-24 x 3/8 Screw, Machine".

2) Change all references in Steps 18 and 30, pages VI-12 and VI-30 from type 8-32 to type 10-24.

3) Change items 9 and 10 in Drawing X-10 from 8-32 to 10-24.

Processor Technology

Processor Technology
Corporation

7100 Johnson Industrial Drive
Pleasanton, CA 94566

(415) 829-2600
Cable Address - PROCTEC

Sol MANUAL

CHANGE NOTICE #14

Step 27, on page II-14 calls for the connection of the white wire from the Sol-20 DC power cable to pad X4, a ground connection. This pad is too small; the wire should be run instead to the pad immediately to the right of pad T3, also a ground connection. This pad is shown on the legend as pad X-10. (NOTE: Some legends incorrectly show this pad as a second pad X-5. Make sure that the red-white lead goes to the pad labelled X-5 which is between C5 and FWB2.)

To avoid confusion when you reach this point in the assembly procedures, cross out "X4 (above R8)" in Step 27, and write in its place "X10 (to right of T3)". If pad X10 is incorrectly labelled X5, the note should read "X5 (to right of T3)". Also make a note reading "See Change Notice #14."

Processor Technology

Processor Technology
Corporation

7100 Johnson Industrial Drive
Pleasanton, CA 94566

(415) 829-2600
Cable Address: PROCTEC

Sol MANUAL - CHANGE NOTICE

CHANGE NOTICE #15

SUBJECT: 2708 Personality Module, value change for R1 and R2.

If you have a Personality Module using 9216 ROMs, ignore this notice. The 100 ohm values for R1 and R2 shown in your manual may cause overheating under certain conditions. Use 130 ohm, 1/2 watt, 5% resistors instead, which may have been included in your kit.

To make sure your documentation reflects the improvement, note the change in pencil at the following places:

- 1) Section IV, Table 4-1.
- 2) Section IV, Step 2.
- 3) Section X, Drawing X-6, Assembly.
- 4) Section X, Drawing X-22, Schematic.

Processor Technology

Processor Technology
Corporation

7100 Johnson Industrial Drive
Pleasanton CA 94566

(415) 829-2600
Cable Address PROCTEC

Sol MANUAL

CHANGE NOTICE #16

SUBJECT: Vectored Interrupt Capability for Sol

The Sol Computer and other S100 modules built by Processor Technology do not require use of the vectored interrupt capability which the 8080A microprocessor used in the Sol provides. The Sol provides, however, means for implementing vectored interrupt when the interrupt signal is made available by a circuit board inserted in the S100 bus, on S100 bus pin 96, SINTA. If a circuit board in the backplane generates interrupts, two jumpers, shown below, should be added to Sol P.C., to enable the SINTA signal to reach the memory decoder circuit. These jumpers may be added after completing the assembly of Sol-P.C., or even after the Sol is completely assembled and tested. The jumpers should be made from #24 solid, insulated wire (not provided). The electrical effects of these jumpers may be seen on Drawing X-16. These jumpers may be left in place even if no S100 board generates interrupts. S100 bus pin 96 may float with no interference.

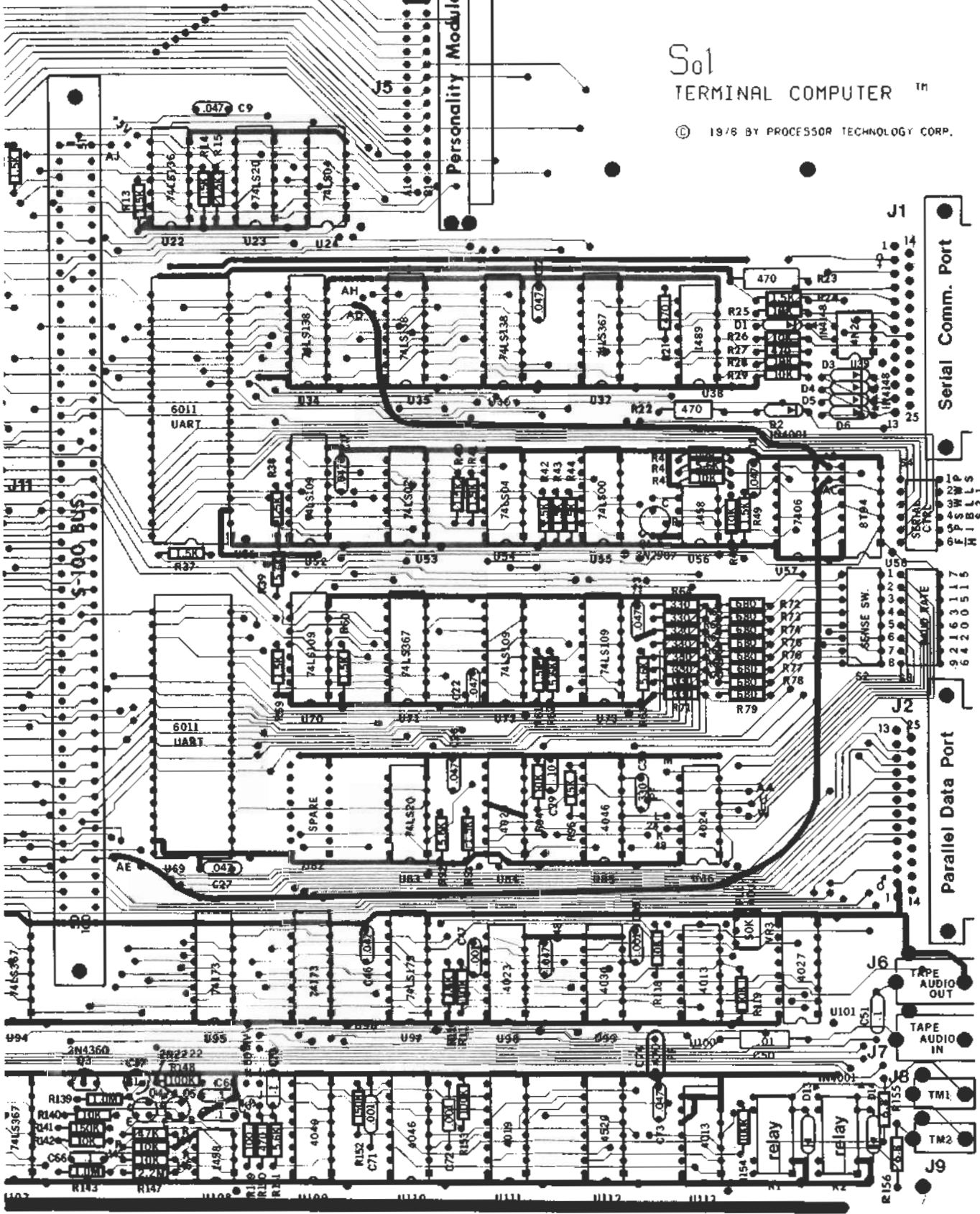
- () Step 1. Strip .1" of insulation from one end of each of two eight-inch lengths of wire, and insert into pads AC and AB (near U58) from the component side of the board. Solder and check for solder bridges.
- () Step 2. Dress the wires as shown in the drawing below, trim to length, strip .1" from the loose ends. Insert the wire from pad AB into pad AD, and the wire from pad AC to AE. Solder and inspect for solder bridges.
- () Step 3. Fix the long runs of wire to the board using silicone compound or tape.

PC102001

Personality Module

S01 TERMINAL COMPUTER™

© 1978 BY PROCESSOR TECHNOLOGY CORP.



Sol UPDATE 731011

SUBJECT: Optical Isolator (U39) Circuit Change

To enhance reliability of the optical isolator (U39) which couples data from a current loop device to the Sol, make the following circuit changes. Use the procedure given below after you complete Step 49 in Section III, Sol-PC Assembly and Test. Make a note in your manual after Step 49 to remind you of this change in the assembly procedure. Refer to the drawings on the next page while performing the following steps.

- () Step 1. In Table 3-1, Page III-3, increase quantity of 47 ohm resistor from 2 to 3, reduce quantity of 470 ohm, 1/4 watt resistor from 2 to 1, and add one 4.7K ohm, 1/4 watt, 5% resistor.
- () Step 2. In Step 50 on Page III-33, change R27 value from 470 ohms to 4.7K ohms (color code yellow-violet-red).
- () Step 3. Complete Steps 50 through 58 in Section III.
- () Step 4. Install R160 (47 ohm resistor, color code yellow-violet-black) as follows:
 - () Wrap one R160 lead around pin 1 of U39 (4N26) and the other around the cathode lead (banded end) of D3 (1N4148), dressing the leads as shown in Figure A.
 - () Solder both R160 leads in place and trim excess lead lengths.
 - () Inspect for possible shorts or solder bridges, especially between pins 1 and 2 of U39.
 - () On the back (solder) side of the board, the trace that connects pin 1 of U39 to the cathode lead of D3 must be cut. Using an Xacto knife or a razor blade, make two cuts approximately 1/8" apart, cutting across the trace down to the epoxy base. Insert blade tip beneath the cut section and gently work it away from the board. Be sure the "break" is free of solder.

- () Step 5. On Drawing X-17 in Section X, change value of R27 from 470 ohms to 4.7K ohms and add R160 (47 ohm resistor) between pin 1 of U39 and the cathodes of D3 and D4. (Refer to Figure B.)
- () Step 6. Go on to Step 59 in Section III.

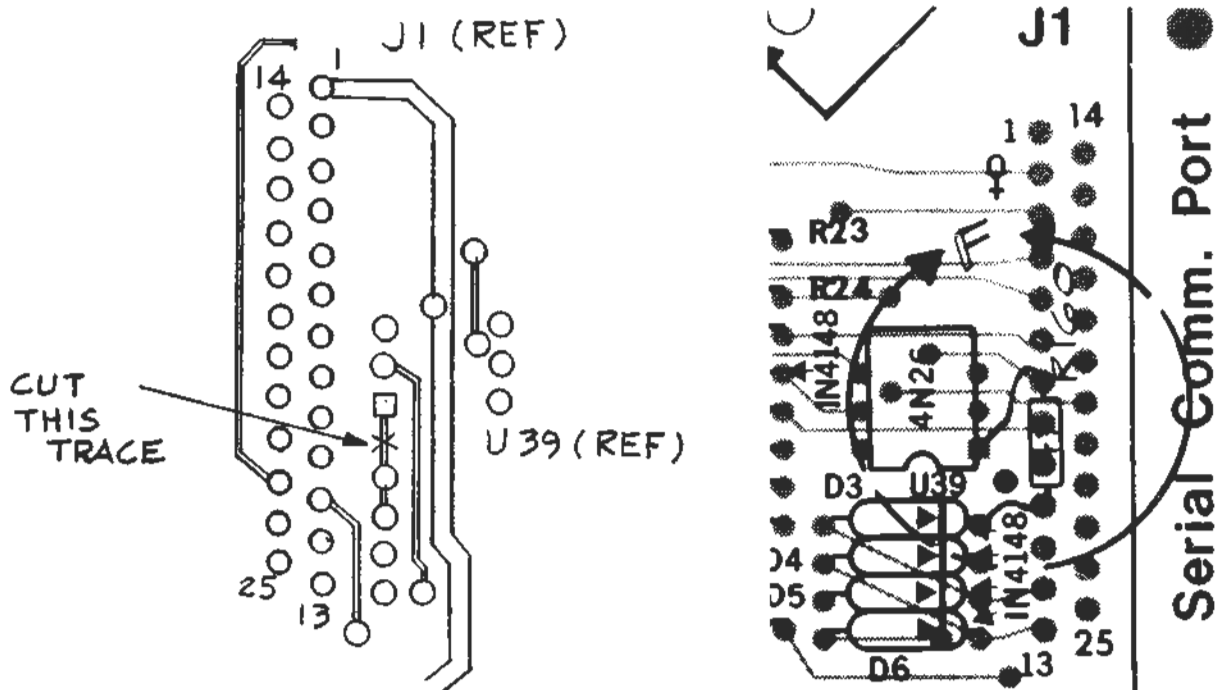


Figure A

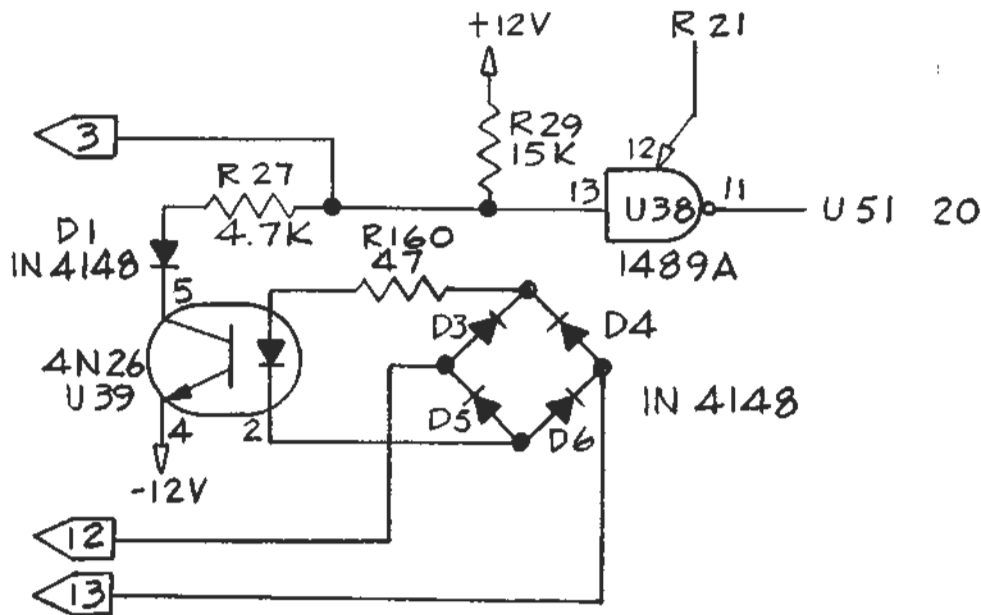


Figure B