

# Supelam™

## User's Manual

### TABLE OF CONTENTS

Introduction	1
Operating Instructions	2
Memory Diagnostic	6
Parts List	11
Assembly Instructions	12
Power Supply/Voltage Regulator Check Out	15
Principles of Operation	17
Warranty	20
Component Layout Diagram	21
Schematics	22

Copyright 1978 G. Morrow

**Thinker**  
**Toys**™ 1201 10th. Street,  
Berkeley, CA 94710

## SUPERAM

### INTRODUCTION

The ECONORAM\* was one of the first low cost fully buffered S-100 memory boards on the market. It made its appearance as the venerable 2102 1K memory chip made its way down the learning curve into high production. Today, the 2114 is at that same point on the volume/learning curve. It is natural then that a low density, low cost, fully buffered 16K static memory board based on the 2114 should be offered by the designer of the original ECONORAM. This time the name is SuperRam! The 2114 memory chip promises to be an even higher volume part than the 2102. This means the SuperRam memory boards will be faster, lower in power consumption, and (hopefully) cheaper with each passing of a milestone on the learning curve of the 2114 1Kx4 memory chip.

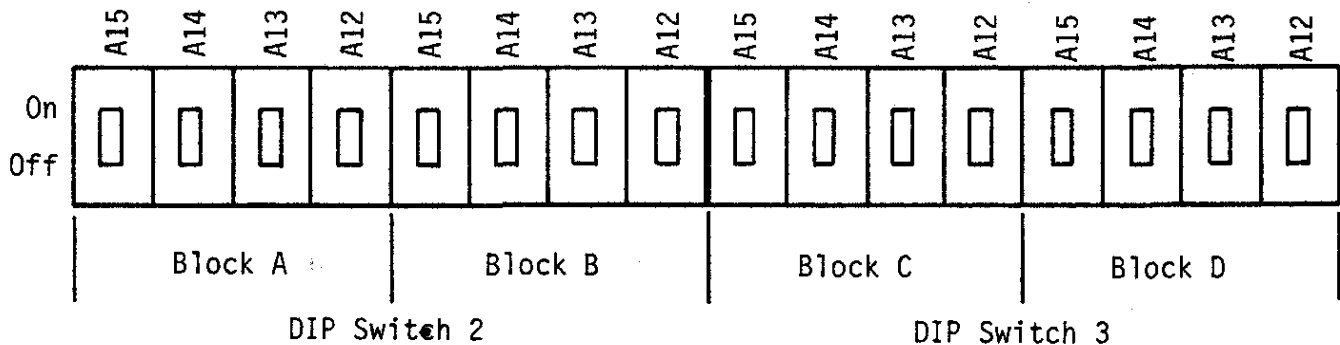
\*Trademark of Godbout Electronics.

## OPERATING INSTRUCTIONS

Whenever the Superam memory is plugged into or removed from the host computer, it is important that the power is off.

### ADDRESSING

At the top of the circuit board are three eight-position DIP switches. The right two determine the addressing of the memory. (See illustration below for DIP switches 2 and 3. DIP switch 1 will be discussed later.)



In the 64K bytes of address space of the S-100 buss, there are sixteen blocks of 4K segments. The positions of the four switches above Blocks A through D determine which 4K segment of the address space the 4K blocks of the Superam will occupy. For example, if the switches above Block A are all on (up), Block A will occupy locations 000:000 through 17:377 octal or 0000 FFF hex. If the switches above Block B are on (15 through 13) and off (12), Block B will occupy memory locations 20:000 through 37:377 octal or 1000 through 1FFF hex.

Above each switch is an address bit that the switch corresponds to. Block positions are formed by making a hex digit pattern with each group of four switches. These hex digits represent the starting address of the block associated with the switches (when followed by three hex zeros). Following is a table of switch positions and corresponding starting addresses.

OPERATING INSTRUCTIONS

Starting Address		A	A	A	A	Corresponding Hex Digit	Corresponding Binary Number
Hex	Octal	15	14	13	12		
0000	000:000	up	up	up	up	✓ 0	0000 ✓
1000	020:000	up	up	up	down	1	0001 ✓
2000	040:000	up	up	down	up	2	0010 ✓
3000	060:000	up	up	down	down	✓ 3	0011
4000	100:000	up	down	up	up	✓ 4	0100
5000	120:000	up	down	up	down	✓ 5	0101 ✓
6000	140:000	up	down	down	up	✓ 6	0110 -DYNAM
7000	160:000	up	down	down	down	7	0111
8000	200:000	down	up	up	up	8	1000
9000	220:000	down	up	up	down	9	1001
A000	240:000	down	up	down	up	A	1010
B000	260:000	down	up	down	down	B	1011
C000	300:000	down	down	up	up	C	1100
D000	320:000	down	down	down	up	D	1101
E000	340:000	down	down	down	up	E	1110
F000	360:000	down	down	down	down	F	1111

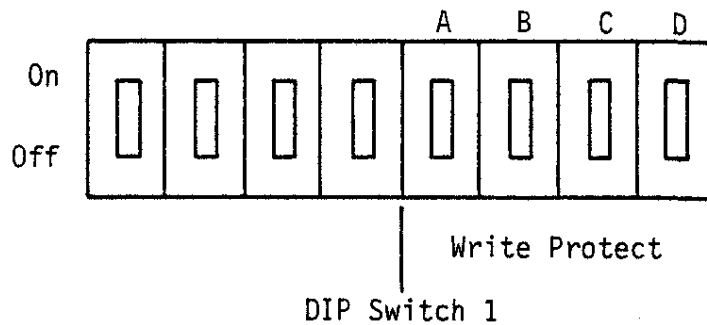
Note: up = on; down = off.

The 74S287 PROM which is responsible for doing board selection and chip selection has been programmed in such a way that if any two (or more) of the groups of switches address the same block of memory, those two (or more) blocks will disappear from the address space of the S-100 buss. For instance, if all four blocks on the board had their address selection switches on (i.e., all starting at location zero), the board would never be selected and the host computer would behave as if the memory board was not plugged into the chassis.

*Dynam*  
6000-7000

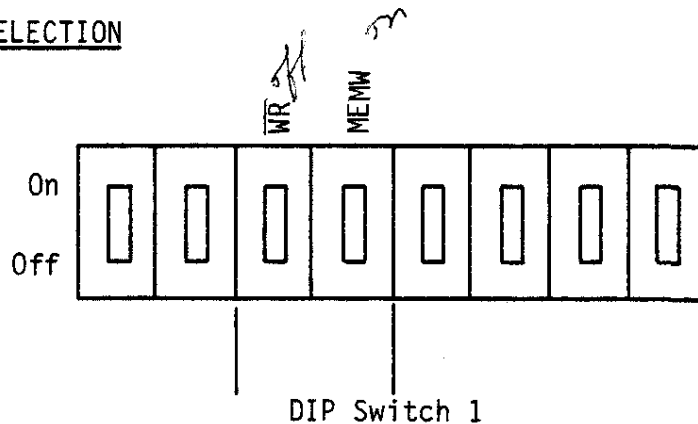
## OPERATING INSTRUCTIONS

### WRITE PROTECTION LOGIC



The right most four switches of DIP switch #1 are devoted to write protection for the four blocks A, B, C and D. If the switch below A is on, block A is write proted. When this switch is on (up), it is impossible for the CPU to alter any of the 4096 memory locations spanned by Block A. When this switch is off (down), the processor can write into the memory locations of Block A. A similar set of circumstances holds for the switches below B, C and D. These switches have been arranged in the same order as the address selection switches (A to the left, D to the right) to help minimize errors when these switches are manipulated.

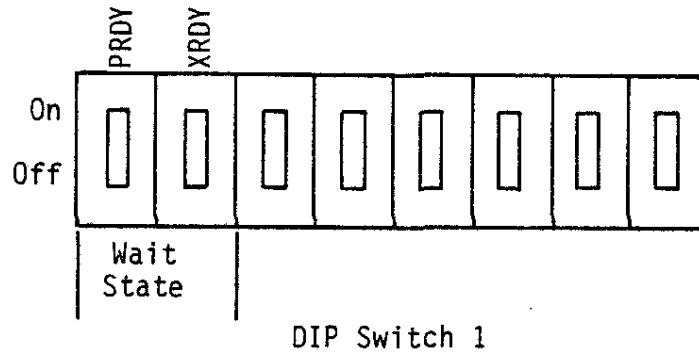
### WR and MWRITE SELECTION



Some CPU boards do not generate the signal MWRITE which represents the "memory write" strobe function. The original Altair generated MWRITE on the front panel and not on the CPU board. Several other vendors of CPU boards copied this design and so, when this type of CPU is plugged into an S-100 buss board, very likely MWRITE will be absent. If this is the case, the switch below WR should be "on" while the switch below MEMW should be "off". If the signal MWRITE is indeed generated by the CPU board in the host computer, the switch below MEMW should be "on" while the switch below WR should be "off". At no time should both switches be on.

# OPERATING INSTRUCTIONS

## WAIT STATE



The memory chips included with SuperRam have a guaranteed access time of at least 450 ns over the entire 0-70° C temperature range. At 25° C (room temperature), the typical 2114 in this kit has access times between 175 and 250 ns. Although not guaranteed to run at 4 Mhz over the entire 0-70° C temperature range, the majority of the SuperRam kits currently being shipped will comfortably run at 4 Mhz.

If the host computer is running at 4 Mhz and the SuperRam does not function reliably at this speed, one of the two wait switches should be turned on (up) to produce one wait state of 250 ns. Some mainframes pre-empt PRDY (most notably the Altair front panel). If this is the case, the switch above XRDY should be turned on. Other mainframes pre-empt XRDY (the IMSAI front panel). If the host processor does indeed actively drive XRDY at all times, the switch above PRDY should be turned on.

## MEMORY DIAGNOSTIC

The memory test described below was designed by Phil Meads of William Brobeck Associates to exercise the most sensitive circuitry of the memory chips -- the address buffers. The test starts from the middle and works its way outward alternately to the top and bottom of memory. This type of test inverts the address lines more often than sequential ones. This continual inversion process punishes and eventually breaks down weak or faulty address buffers in the device.

### USING THE TEST

The test itself must be placed in an area which is different than the location of the board(s) to be tested. The test starts on a page boundary to make the task of relocating the binary code easier.

There are two parameters in the test to be set by the user:

- (1) The number of 4K blocks to be tested -- keep in mind that there are four 4K blocks per board. This constant is called BLKCNT and is located at the eleventh byte of the test.
- (2) The starting page number of the lowest 4K block to be tested is called PAGENO and is located at the ninth byte of the test.

When testing more than one 4K block of memory, be sure that they occupy contiguous memory.

The page number of the position of the test itself must be entered wherever a (YYY)<sub>8</sub> or (YY)<sub>16</sub> occurs in the test listing. This is necessary because JMP and CALL need both the page number and the location within the page to execute correctly.

The only other thing to remember when loading the test is that it must be placed at the starting address of a page.

Start the test at the first instruction. Once started, the test will run continuously unless an error is detected. If the test encounters an error, all the data pertinent to this error is stored in the last ten locations of the test. After storing this data, the test comes to a dynamic halt at the label STALL. The test may be restarted by stopping the computer and restarting it at the POP PSW instruction following JMP STALL. The user may also restart the test from the beginning. If errors indicate the board is malfunctioning, return it as soon as possible for warranty service.

MEMORY TEST PROGRAM FOR 4K NMOS RAMS  
(Octal)

YYY	000	061	175	YYY	START	LXI	SP,STACK	INITIALIZE STACK POINTER
	003	001	000	000		LXI	B,0	INITIALIZE CYCLE COUNT
	006	305			NEWCYL	PUSH	B	UPDATE CYCLE COUNT
	007	006	100			MVI	B,PAGENO	STARTING ADDR OF TEST MEM
	011	016	002			MVI	C,BLKCNT	# OF 4K BLOCKS TO TEST
	013	041	377	007	LOOP	LXI	H,7:377Q	HALF SIZE OF MEMORY -1
	016	170				MOV	A,B	
	017	204				ADD	H	CALCULATE MIDDLE
	020	147				MOV	H,A	OF CURRENT BLOCK
	021	345				PUSH	H	SAVE INITIAL ADDRESS
	022	315	114	YYY	WRITE	CALL	TWORD	GET TEST WORD
	025	167				MOV	M,A	STORE
	026	315	123	YYY		CALL	COMP	COMPLEMENT ADDRESS
	031	315	114	YYY		CALL	TWORD	GET TEST WORD
	034	167				MOV	M,A	STORE
	035	315	134	YYY		CALL	INCR	COMPLEMENT & DECREMENT
	040	302	022	YYY		JNZ	WRITE	ADDRESS
	043	341				POP	H	RECOVER INITIAL ADDRESS
YYY	044	315	114	YYY	READ	CALL	TWORD	GET TEST WORD
	047	256				XRA	M	COMPARE
	050	304	145	YYY		CNZ	ERROR	
	053	315	123	YYY		CALL	COMP	COMPLEMENT ADDRESS
	056	315	114	YYY		CALL	TWORD	GET TEST WORD
	061	256				XRA	M	COMPARE
	062	304	145	YYY		CNZ	ERROR	
	065	315	134	YYY		CALL	INCR	COMPLEMENT & DECREMENT
	070	302	044	YYY		JNZ	READ	ADDRESS
YYY	073	076	020			MVI	A,20Q	ADVANCE
	075	200				ADD	B	THE
	076	107				MOV	B,A	BLOCK
	077	015				DCR	C	DECREMENT BLOCK COUNT
	100	302	013	YYY		JNZ	LOOP	
	103	173				MOV	A,E	CALCULATE NEW
	104	306	207			ADI	135	BASE FOR
	106	137				MOV	E,A	TEST WORD
	107	301				POP	B	
	110	003				INX	B	INCREMENT CYCLE COUNT
	111	303	006	YYY		JMP	NEWCYL	
	114	175			TWORD	MOV	A,L	GET LOWER BYTE OF ADDRESS
	115	007				RLC		ROTATE
	116	207				ADD	A	SHIFT
	117	204				ADD	H	ADD HIGHER BYTE OF ADDR
	120	203				ADD	E	ADD BASE
	121	127				MOV	D,A	SAVE TEST WORD
	122	311				RET		



YYY	123	174		COMP	MOV	A,H	COMPLEMENT THE UPPER
	124	356	017		XRI	17Q	BYTE ADDRESS
	126	147			MOV	H,A	WITH RESPECT TO MEM SIZE
	127	175			MOV	A,L	COMPLEMENT THE LOWER
	130	356	377		XRI	377Q	BYTE OF THE
	132	157			MOV	L,A	ADDRESS
	133	311			RET		
YYY	134	315	123	YYY	INCR	CALL	COMP
	137	053				DCX	H
	140	300				RNZ	RESTORE ADDR TO NORMAL SIZE
	141	170				MOV	A,B
	142	075				DCR	A
	143	274				CMP	H
	144	311				RET	BOUNDARY
YYY	145	345			ERROR	PUSH	H
	146	305				PUSH	B
	147	325				PUSH	D
	150	365				PUSH	PSW
	151	303	151	YYY	STALL	JMP	STALL
	154	361				POP	PSW
	155	321				POP	D
	156	301				POP	B
	157	341				POP	H
	160	311				RET	THE CPU
YYY	161	000			TABLE	DB	0
	162	000				DB	0
	163	000				DB	0
	164	000				DB	0
	165	000				DB	0
	166	000				DB	0
	167	000	000			DW	0
	171	000	000			DW	0
	173	000	000			DW	0
	175	000	000		STACK	DW	0
							FLAGS
							ACC - ONES ARE ERROR BITS
							E - CURRENT RANDOM OFFSET
							D - CURRENT TEST WORD
							C - CURRENT BLOCK COUNT
							B - CURRENT BLOCK PAGE
							HL - ERROR ADDRESS
							RETURN ADDRESS
							CYCLE COUNT

MEMORY TEST PROGRAM FOR 4K NMOS RAMS  
(Hex)

YY	00	31	7D	YY	START	LXI	SP,STACK
	03	01	00	00		LXI	B,0
	06	C5			NEWCYL	PUSH	B
	07	06	40			MVI	B,PAGENO
	09	0E	02			MVI	C,BLKCNT
	0B	21	FF	07	LOOP	LXI	H,7:377Q
	0E	78				MOV	A,B
	0F	84				ADD	H
	10	67				MOV	H,A
	11	E5				PUSH	H
	12	CD	4C	YY	WRITE	CALL	TWORD
	15	77				MOV	M,A
	16	CD	53	YY		CALL	COMP
	19	CD	4C	YY		CALL	TWORD
	1C	77				MOV	M,A
	1D	CD	5C	YY		CALL	INCR
	20	C2	12	YY		JNZ	WRITE
	23	E1				POP	H
YY	24	CD	4C	YY	READ	CALL	TWORD
	27	AE				XRA	M
	28	C4	65	YY		CNZ	ERROR
	2B	CD	53	YY		CALL	COMP
	2E	CD	4C	YY		CALL	TWORD
	31	AE				XRA	M
	32	C4	65	YY		CNZ	ERROR
	35	CD	5C	YY		CALL	INCR
	38	C2	24	YY		JNZ	READ
YY	3B	3E	10			MVI	A,20Q
	3D	80				ADD	B
	3E	47				MOV	B,A
	3F	0D				DCR	C
	40	C2	0B	YY		JNZ	LOOP
	43	7B				MOV	A,E
	44	C6	87			ADI	135
	46	5F				MOV	E,A
	47	C1				POP	B
	48	03				INX	B
	49	C3	06	YY		JMP	NEWCYL
YY	4C	7D			TWORD	MOV	A,L
	4D	07				RLC	
	4E	87				ADD	A
	4F	84				ADD	H
	50	83				ADD	E
	51	57				MOV	D,A
	52	C9				RET	

YY	53	7C		COMP	MOV	A,H
	54	EE	OF		XRI	17Q
	56	67			MOV	H,A
	57	7D			MOV	A,L
	58	EE	FF		XRI	377Q
	5A	6F			MOV	L,A
	5B	C9			RET	

YY	5C	CD	53 YY	INCR	CALL	COMP
	5F	2B			DCX	H
	60	C0			RNZ	
	61	78			MOV	A,B
	62	3D			DCR	A
	63	BC			CMP	H
	64	C9			RET	

YY	65	E5		ERROR	PUSH	H
	66	C5			PUSH	B
	67	D5			PUSH	D
	68	F5			PUSH	PSW
	69	C3	69 YY	STALL	JMP	STALL
	6C	F1			POP	PSW
	6D	D1			POP	D
	6E	C1			POP	B
	6F	E1			POP	H
	70	C9			RET	

YY	71	00		TABLE	DB	0
	72	00			DB	0
	73	00			DB	0
	74	00			DB	0
	75	00			DB	0
	76	00			DB	0
	77	00	00		DW	0
	79	00	00		DW	0
	7B	00	00		DW	0
	7D	00	00	STACK	DW	0

FLAGS  
 ACC - ONES ARE ERROR BITS  
 E - CURRENT RANDOM OFFSET  
 D - CURRENT TEST WORD  
 C - BLOCKS LEFT TO TEST  
 B - CURRENT BLOCK PAGE  
 HL - ERROR ADDRESS  
 RETURN ADDRESS  
 CYCLE COUNT

## PARTS LIST

- 1 8" x 10" glossy photo
- 1 5" x 10" printed circuit board
- 3 SIP resistor packs
- 23 by-pass capacitors\*
- 5 39  $\mu$ fd tantulum capacitors
- 4 14-pin low-profile sockets
- 4 16-pin low-profile sockets
- 32 18-pin low-profile sockets
- 2 20-pin low-profile sockets
- 1 24-pin low-profile socket
- 3 8-position DIP switches
- 4 heat sinks
- 4 6-32 x 5/16 machine screws
- 4 6-32 hex machine screws
- 1 74LS154/74154 1 of 16 decoder
- 2 74LS240/74LS241/74LS244 octal tristate\*\* buffer
- 4 74LS266 quad exclusive nor gates
- 1 74S287/82S129/6301 4x256 PROM
- 1 74S288/82S123/6331 8x32 PROM
- 1 74368 hex tristate\*\* inverting buffer
- 1 74LS368 hex tristate\*\* inverting buffer
- 32 2114 4 x 1K static PROMs
- 4 7805/340.5 monolithic 5 volt regulators

\*by-pass capacitors will vary in value between .01  $\mu$ fd and .1  $\mu$ fd.

\*\*tristate is a trademark of National Semiconductor.

## ASSEMBLY INSTRUCTIONS

DO NOT INSTALL OR SOLDER ANY PARTS UNTIL YOU HAVE READ THESE INSTRUCTIONS SEVERAL TIMES AND HAVE FULLY DIGESTED THE INFORMATION!

CAUTION - DO NOT SOLDER OR CLIP COMPONENT LEADS WITHOUT USING SAFETY GLASSES!

### INSPECTION

Use the parts list to make sure that there are no missing items in your kit. Please notify us of any shortages. Be sure to check for missing parts before you start assembling.

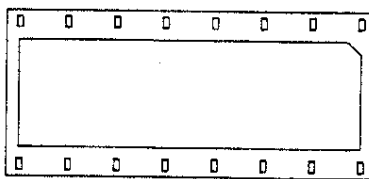
### SOCKETS

A socket is furnished for every integrated circuit. It is important that you use the sockets; otherwise, a defective part will be extremely difficult to replace.

NO REPAIR OR SERVICE WILL BE PERFORMED ON A CIRCUIT BOARD WHICH HAS HAD INTEGRATED CIRCUITS SOLDERED TO IT.

### PARTS ORIENTATION

In all references throughout the instructions, the convention used is that the gold edge connector is the bottom of the board. Orientation identification is molded into the plastic of the sockets either with numbers or in the manner illustrated below.



This orientation mark or an embossed "1" identifies where pin #1 of the integrated circuit is to be positioned when inserted into the socket. The sockets should be inserted in the board so that the orientation mark is in the upper right hand corner.

## ASSEMBLY INSTRUCTIONS

The tantulum capacitors should be oriented so that the red strip or positive mark is to the left when the part is inserted in the board. The three DIP switches at the top of the board should be positioned so that switch #1 is to the left.

The SIP resistor packs have an orientation dot at one end. The pin associated with this dot is the common point of the nine resistors in this package and must be to the right when the parts are soldered to the board.

## SOLDERING AND SOLDER IRONS

The most desirable soldering iron for complex electronic kits is a constant temperature soldering iron with an element regulated at 650° F. The tip should be fine so that it can be brought in intimate contact with the pads of the circuit board. Both Unger and Weller have excellent products which fit the above requirements.

There are three important soldering requirements for building this kit:

1. Do not use an iron that is too cold (less than 600° F) or too hot (more than 750°).
2. Do not apply the iron to a pad for extended periods.
3. Do not apply excessive amounts of solder.

The proper procedure for soldering components to the circuit board is as follows:

1. Bring the iron in contact with both the component lead and the pad.
2. Apply a small amount of solder at the point where the iron, component lead, and pad all make contact.
3. After the initial application of solder has been accomplished with the solder flowing to the pad and component lead, the heat of the iron will have transferred to both the pad and the lead. Apply a small amount of additional solder to cover the joint between the pad and the lead. **DO NOT PILE SOLDER ON THE JOINT! EXCESSIVE HEAT AND SOLDER CAUSE PADS AND LEADS TO LIFT FROM THE CIRCUIT BOARD. EXCESSIVE SOLDER IS THE PRIMARY CAUSE FOR BOARD SHORTS AND BRIDGED CONNECTIONS.**

## ASSEMBLY INSTRUCTIONS

### PARTS INSTALLATION

Install:

- Sockets 1B-8B, 1C-8C, 1D-8D, 1E-8E, 18-pin low-profile. Pin #1 to upper right.
- Sockets 1F, 2F, 2H, 8H, 16-pin low-profile sockets. Pin #1 to upper right.
- Sockets 3F, 4F, 3H, 4H, 14-pin low-profile sockets. Pin #1 to upper right.
- Sockets 5F, 5H, 20-pin low profile. Pine #1 to upper right.
- Socket 7H, 24-pin low-profile. Pin #1 to upper right.
- C1-C5, 39  $\mu$ fd tantulum capacitors. Orientation mark to the left. .6" wide.
- SIPS 1, 3, 4. Single-in-line resistor packs. Orientation dot to the right.
- By-pass capacitors (23) as shown on the silk screen legend on the circuit board.
- DIP switches 1, 2 and 3. Switch #1 of each DIP is to the left.
- 7805/LM340.5 5-volt regulators (4) by bending the leads, inserting and hand tightening the nut and bolt through the regulator, heat sink, and circuit board. Solder the leads. If heat sink grease is available, apply a thin film between the board, heat sink and regulator before soldering the leads. Finally, tighten the nut.

## POWER SUPPLY/VOLTAGE REGULATOR CHECK OUT

Voltage requirements: (reference to ground - pins 50 and 100)

Pins 1 and 51: not less than 7 volts approx. 2000 ma  
not more than 10 volts

Before installing any of the integrated circuits, apply power to pins 1 and 51 as specified above. Power can come from external supplies or from a host computer. After applying power, perform the following measurements:

(1)	1F pin 16	+5 volts
(2)	2H pin 16	+5 volts
(3)	3H pin 4	+5 volts
(4)	4H pin 14	+5 volts
(5)	5H pin 20	+5 volts
(6)	7H pin 24	+5 volts
(7)	8H pin 16	+5 volts

If the voltage at any of the check points differs by more than 5% of the required value, return the board for warranty/repair trouble shooting.

## POWER-UP CHECK OUT

Install the integrated circuits as per the layout sheet. Be very careful not to bend pins of the ICs under the package. Often a pin which is bent under an IC appears to be inserted in the socket. REMEMBER: BENT PINS ARE THE MOST COMMON REASON FOR A MALFUNCTIONING BOARD!

After the parts have been installed, repeat the seven voltage measurements specified in the previous section. If the test points differ from the required values, the board should be returned. Under no circumstance should sockets be removed from the board. Such abuse may void the warranty under which repair and service is performed.

## SYSTEM CHECK OUT

Select four different bank positions for the four blocks of memory on the board. Make sure that the write protect switches are all off. Select PWR or MWRITE (switches number 3 and 4 of DIP switch #1) as appropriate for the host computer. Finally, qualify XRDY or PRDY if the host computer is running at 4 Mhz (switches number 1 and 2 of DIP switch #1). Normally, both switch #1 and #2 of DIP switch #1 should be off. Next, plug the board into



## System Check Out

an empty slot of the main frame and apply power. Examine several locations in each of the four different blocks and verify that all zeros and all ones can be written into and read from each of the four 1K sub-blocks of each 4K block.

Finally, a memory test (either the one included in this manual or one of your own choosing) should be run for several hours over the entire 16K. After completion of these steps, the memory is ready for use in your mainframe.

## PRINCIPLES OF OPERATION

287  
288

### ADDRESS SELECTION

Sixteen address switches are set up to select memory as four independently addressable blocks of 4K bytes each. The first four address switches of DIP switch #2 set memory address for the first 4K block and the second four switches set memory address for the second 4K block; the first four switches of DIP switch #3 set memory address for the third 4K block and the second four switches set memory address for the fourth 4K block.

Each address switch is connected to an open-collector exclusive NOR gate and pull-up resistor so that if the switch is closed, less than .6 volts pass, producing a logical 0. If the switch is open, more than 2.4 volts pass, producing a logical 1. The logical values of the voltages passing through each address line and its switch line are compared, determining the signal sent to the select line: if both the address line and the switch line equal logical 1 or both equal logical 0, that selecting signal is high, but if they do not equal each other, that selecting signal is low. When each pair in each set of four lines match, producing a high signal (whether through matching at logical 0 or logical 1) the corresponding 4K block of memory is selected; if the pairs of lines do not match (for example, if three pairs produce a high signal but one produces a low signal) the memory block is not selected.

Truth Table of the 74LS266 Open Collector Exclusive NOR Gate

Input	Input	Output
0	0	Off
0	1	On
1	0	On
1	1	Off

These select lines enter PROM 74S287/82S131/6301, effectively a 4 to 2 encoder, which ultimately selects the memory boards and chips to be used. It combines the select signals with five other bus signals as discussed below. Provided that PHANTOM is high while SOUT, SINP, and SINT are low, BD ENBL will be low. When BD ENBL is low, STB BUFFER goes low if PDBIN goes high and vice versa. STB BUFFER acts to enable the 74LS240/241/244 input data buffers to transfer data from the memory to the CPU. (If PHANTOM is low, all other signals will be ignored and addressing is not enabled. If either SINP or SOUT is high, an input or input instruction is occurring and the address lines are ignored. If PDBIN is low, signals are moving from the CPU to the memory board. If SINTA is low, the unit will work as memory; if it is high, other signals will be ignored.)

## Principles of Operation

Pin 9 of the 74S287/6301 PROM will be referred to as BLOCK SELECT I (BS I) and Pin 10 as BLOCK SELECT II (BS II). If SELECT A is the only high select line, both the BSI and BS II lines will equal logical 0; if SELECT B is the only high select line, BS I line will equal logical 0 and BS II line will equal logical 1; if SELECT C is the only high select line, BS I line will equal logical 1 while BS II line will equal logical 0; if SELECT D is the only high select line, both BS I and BS II lines will equal logical 1. If two or more select lines are high, STB BUFFER and BD ENBL signals will remain high and no block will be selected.

In addition to these BS I and II lines entering decoder chip 74154 are two address lines, A10 and A11. These four lines, governed by the BD ENBL signal, select two of thirty-two chips, each pair of chips containing 1K by 8 bits (1K bytes) of memory. If BD ENBL is high, all chip selects are high and no chips are selected. If BD ENBL is low, one chip pair is selected by matching the logical values of the two BLOCK SELECT lines and the two address lines as shown in the following table:

A10	A11	BS I	BS II	Selected Pair
0	0	0	0	0
1	0	0	0	1
0	1	0	0	2
1	1	0	0	3
0	0	1	0	4
1	0	1	0	5
0	1	1	0	6
1	1	1	0	7
0	0	0	1	8
1	0	0	1	9
0	1	0	1	10
1	1	0	1	11
0	0	1	1	12
1	0	1	1	13
0	1	1	1	14
1	1	1	1	15

Each chip contains ten address lines, four (bidirectional) input/output data lines, a 5 volt power supply, a ground, and a write line (low for writing and high for reading). Additionally, memory chips and buffers are tri-state and when enabled can transmit a high signal to turn the data buffers on or a low signal to turn the data buffers off, or they can transmit no signal (completely off).

WRITE OPERATION

Four write-protect switch lines enter PROM 74S288, each switch governing one 4K block of memory. Additionally, the  $\overline{PWR}$  line carries signals from the CPU (or, in some computers, the  $\overline{PWR}$ , front panel write, and low SOUT combine to produce a MWRITE signal) to enable writing. During a write operation, PDBIN is low, and  $\overline{PWR}$  is low and/or MWRITE is high. Signals enter the PROM and when combined with signals from write-protect switches in the unprotected mode emit a write enable signal.

READ OPERATION

To read, PDBIN is high, and  $\overline{PWR}$  is high and/or MWRITE is low. When an address is selected (see "Address Selection"), the  $\overline{STB}$  BUFFER enables the output buffers of the selected board which then buffer data from the selected chip through the input data buss lines.

WAIT STATE

To allow guaranteed operation at 4 Mhz with standard speed 2114 parts, two switches of DIP Switch 1 are set aside to invert PSYNC through the 74368 tri-state buffer to conditionally drive either XRDY or PRDY low to produce one wait state during a memory cycle which addresses the board.

OCTAL BUFFERS

For writing and reading, data buffers containing eight input and output lines are used. These buffers may or may not invert signals, but in SuperRam the buffers are paired so that signals are consistently inverted or not inverted and the 74S288 PROM can be programmed to set enabling at a low or high value.

## WARRANTY

Parts are warranted to be free from defects in material and workmanship. Defective parts returned postpaid will be exchanged free of charge. Superams purchased in kit form are warranted for six months from date of invoice; Superams purchased as assembled units are warranted for one year from invoice date. Malfunctioning units will be repaired, tested, and returned with a minimal charge for postage/handling if in the opinion of Morrow's Micro-Stuff or Thinker Toys care has been exercised in their assembly and/or use. Warranty is void if on inspection by Morrow's or Thinker Toys it is found that the product has been subject to improper assembly or abuse. Charges will be assessed accordingly for repair parts and labor if the unit is determined to be repairable. Repair fees will not exceed \$25.00 unless prior approval has been obtained from purchaser.

The foregoing warranty is in lieu of all other warranties expressed or implied and in any event is limited to product repair or replacement.

Please note: a registration card is enclosed with each Thinker Toy product; please return to record your warranty.

