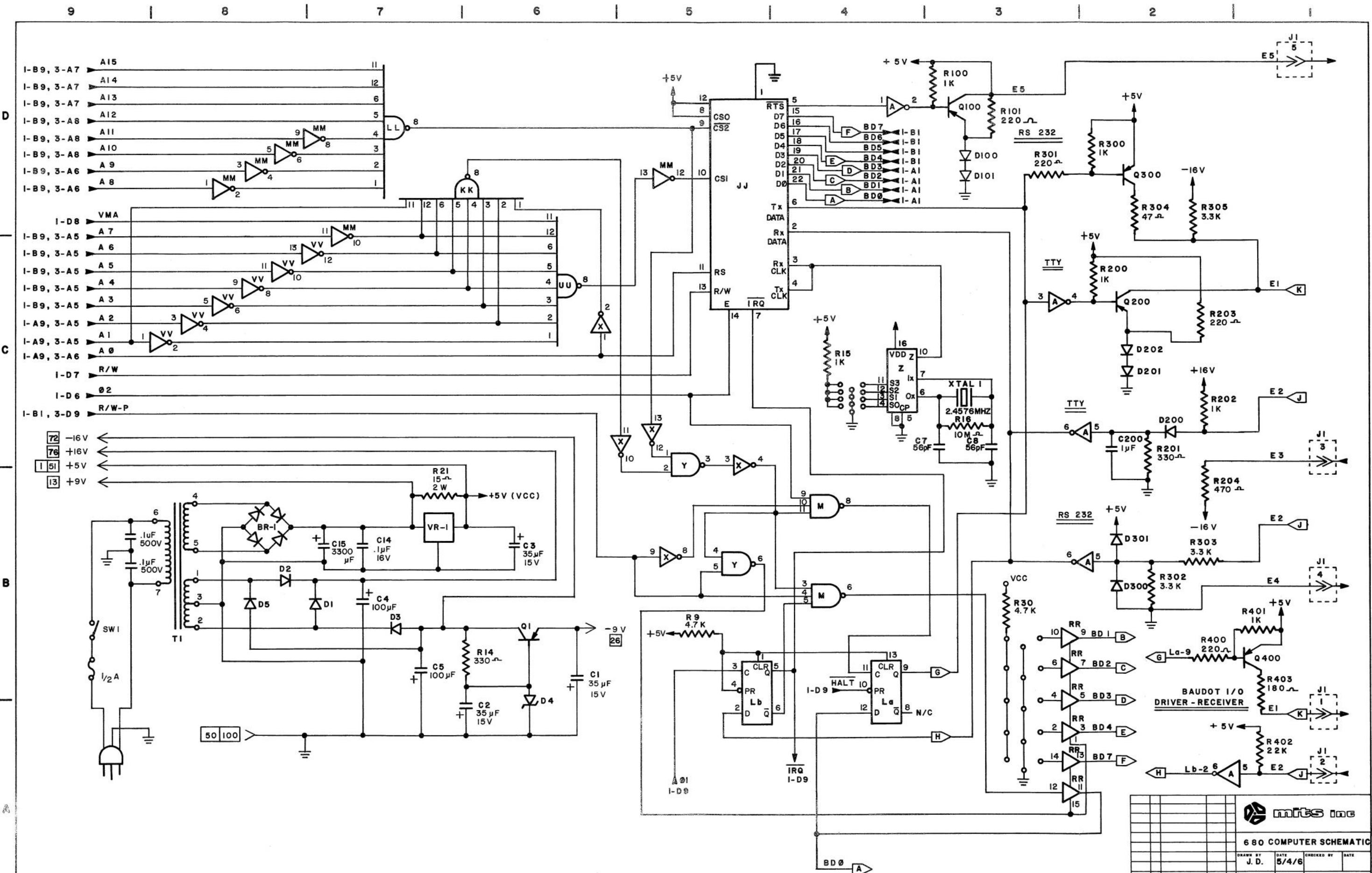


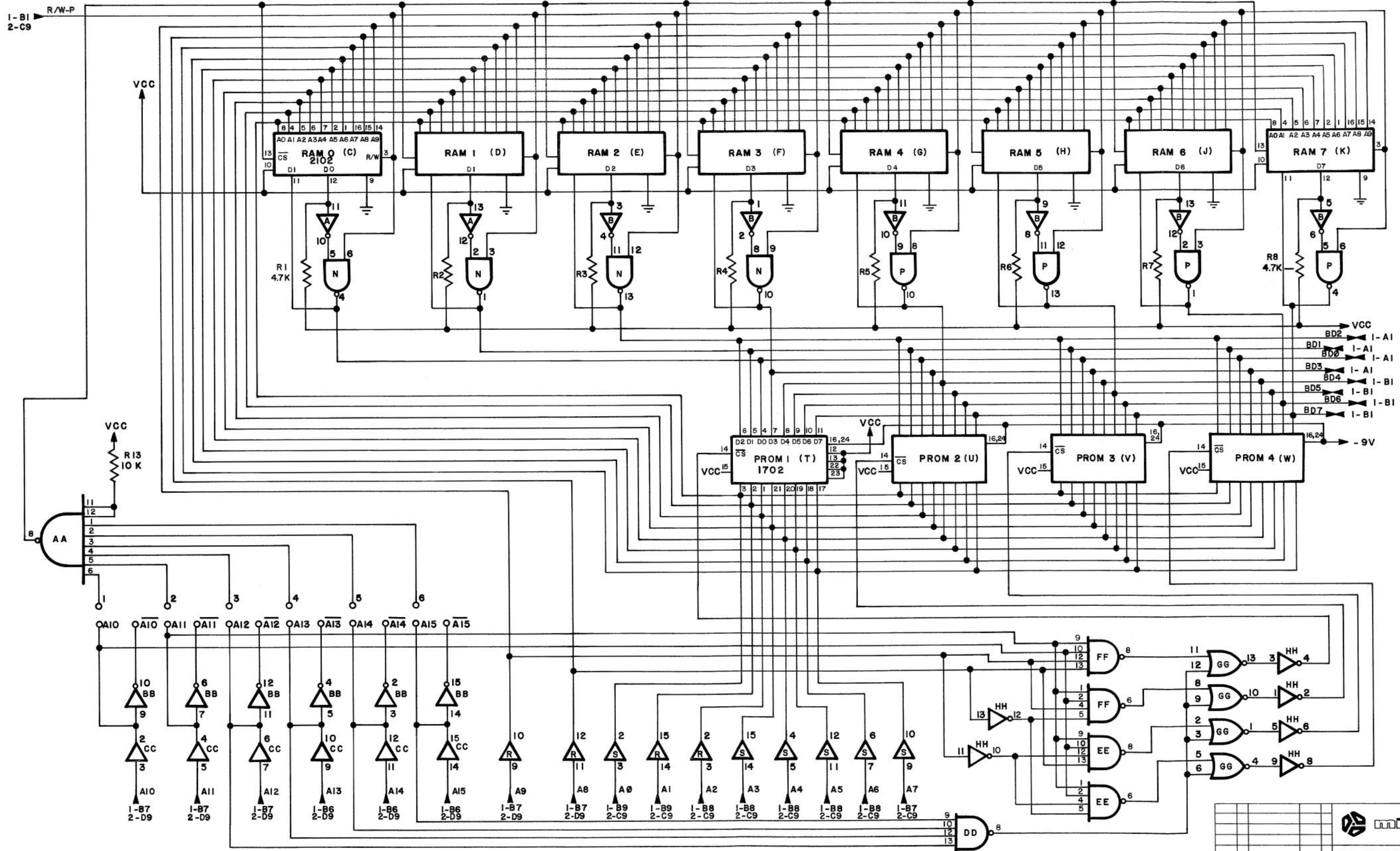
6800 COMPUTER SCHEMATIC	
DRAWN BY ACR	DATE 5-4-76
ENGINEER DATE	CHECKED BY DATE
ZONE LTR DESCRIPTION DATE BY	SCALE 20:1
DWG. NO. 680-101	
SH 1 OF 4	

BRUNING 28440

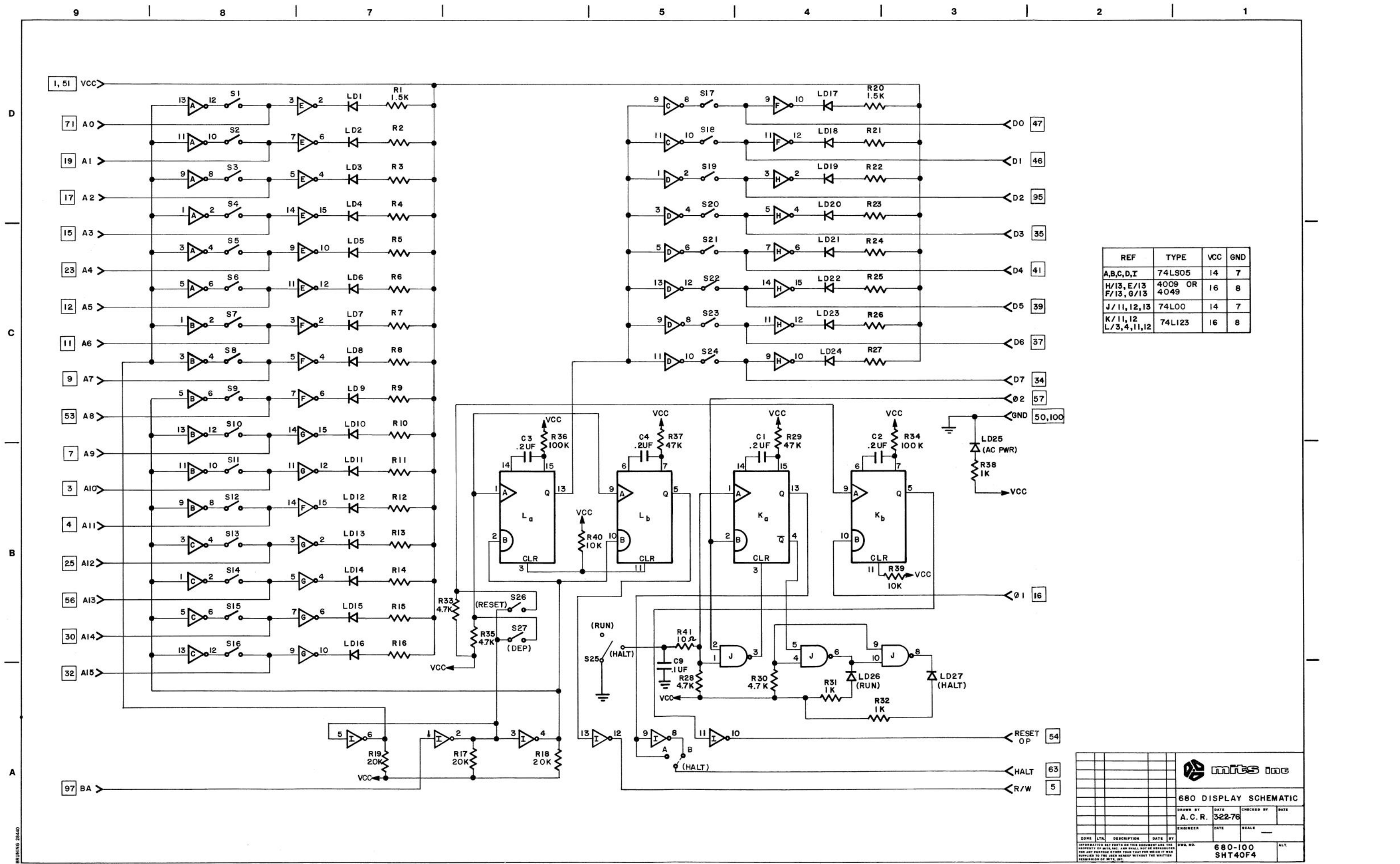


		680 COMPUTER SCHEMATIC	
		DRAWN BY J. D.	DATE 5/4/6
ENGINEER 	DATE 	SCALE 	
ZONE 	LTA 	DESCRIPTION 	DATE BY
Dwg. No. 680-101		SHEET 2 OF 4	

DRAWING 28440



mits inc	
680 COMPUTER SCHEMATIC	
DRAWN BY A.C.R.	CHECKED BY DATE 3-19-76
ENGINEER	SCALE
ZONE	DESCRIPTION
DATE	DATE
Dwg. No. 680-101	
SHT 3 OF 4	



REF	TYPE	VCC	GND
A,B,C,D,I	74LS05	14	7
H/13, E/13 F/13, G/13	4009 OR 4049	16	8
J/11, 12, 13	74LS00	14	7
K/11, 12 L/3, 4, 11, 12	74LS123	16	8

		680 DISPLAY SCHEMATIC	
		DRAWN BY A. C. R.	DATE 3-22-76
ENGINEER	DATE	SCALE	ALT.
DWS. NO. 680-100		SHT40F4	

BRUNING 26440