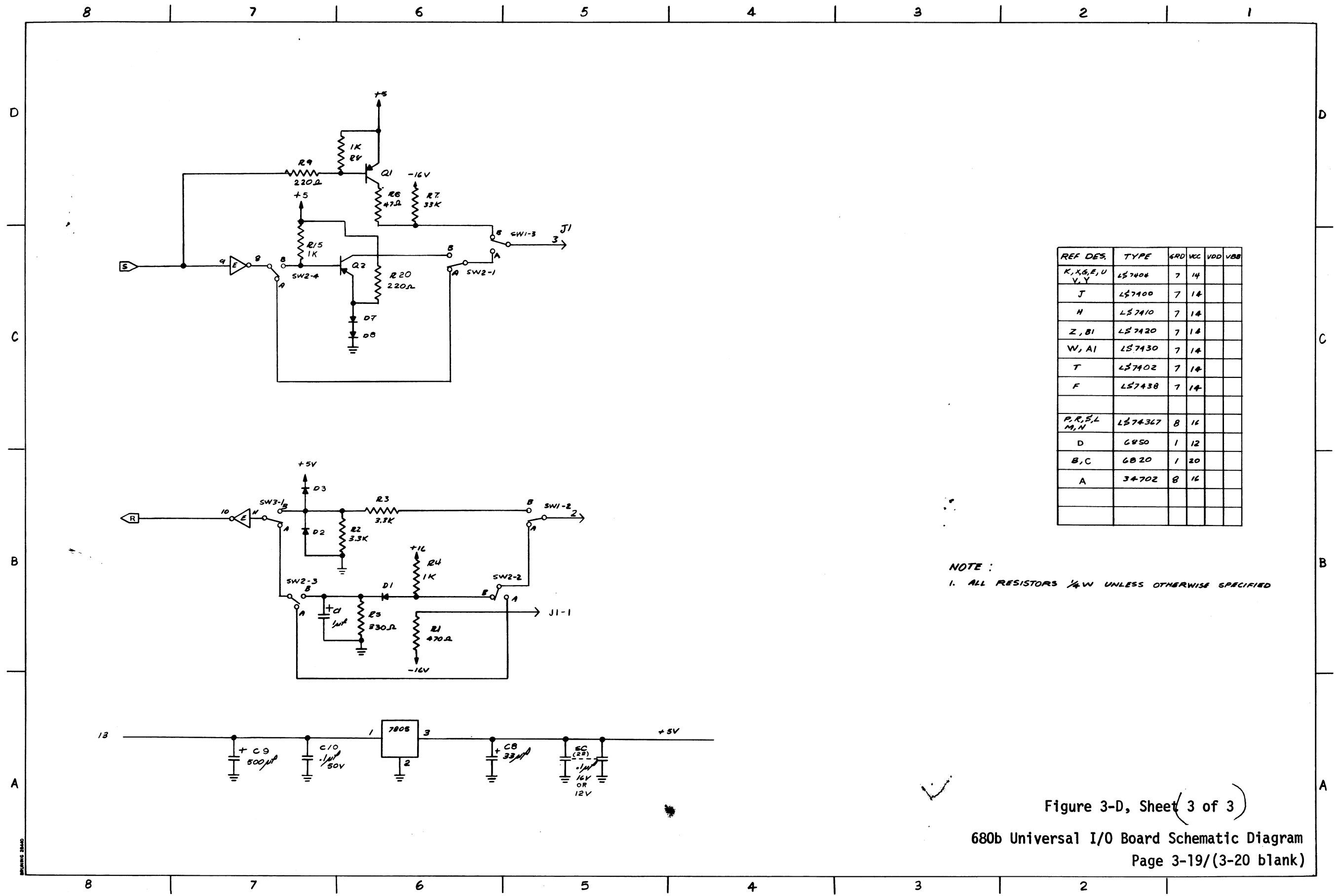


Figure 3-C, Sheet (2 of 3)  
 680b Universal I/O Board Schematic Diagram  
 Page 3-17/(3-18 blank)



REF DES	TYPE	GRD	VCC	VDD	VBB
K, X, G, E, U V, Y	LS7404	7	14		
J	LS7400	7	14		
H	LS7410	7	14		
Z, B1	LS7420	7	14		
W, A1	LS7430	7	14		
T	LS7402	7	14		
F	LS7438	7	14		
P, R, S, L M, N	LS74367	8	16		
D	6850	1	12		
B, C	6820	1	20		
A	34702	8	16		

NOTE:  
1. ALL RESISTORS 1/4W UNLESS OTHERWISE SPECIFIED

Figure 3-D, Sheet (3 of 3)  
680b Universal I/O Board Schematic Diagram  
Page 3-19/(3-20 blank)