

- NOTE:
1. P2 CONNECTOR HOUSING P/N
AMP 1-480484-0 (1 REQ)
MITS 101640
 2. P2 CONNECTOR PINS P/N
AMP 60617-4 (* REQ)
MITS 101640
 3. P7 CONNECTOR HOUSING P/N
AMP 1-480339-0 (1 REQ)
MITS 101636
 4. P7 CONNECTOR PINS P/N
AMP 60618-4 (* REQ)
MITS 101636
 5. P7 SHORTING STRIP P/N
AMP 60643-1 (* REQ)
MITS 101641
 6. S7 CONNECTOR HOUSING P/N
AMP 1-480285-0 (1 REQ)
MITS 101636
 7. S7 CONNECTOR PINS P/N
AMP 60617-4 (* REQ)
MITS 101640

IC	TYPE	POWER CONNECTION		
		VCC	GND	OTHER
C	74367	16	8	
D	7406	14	7	
B	7410	14	7	
A	7402	14	7	

Figure 4-16.
Minidisk Buffer/Power Supply

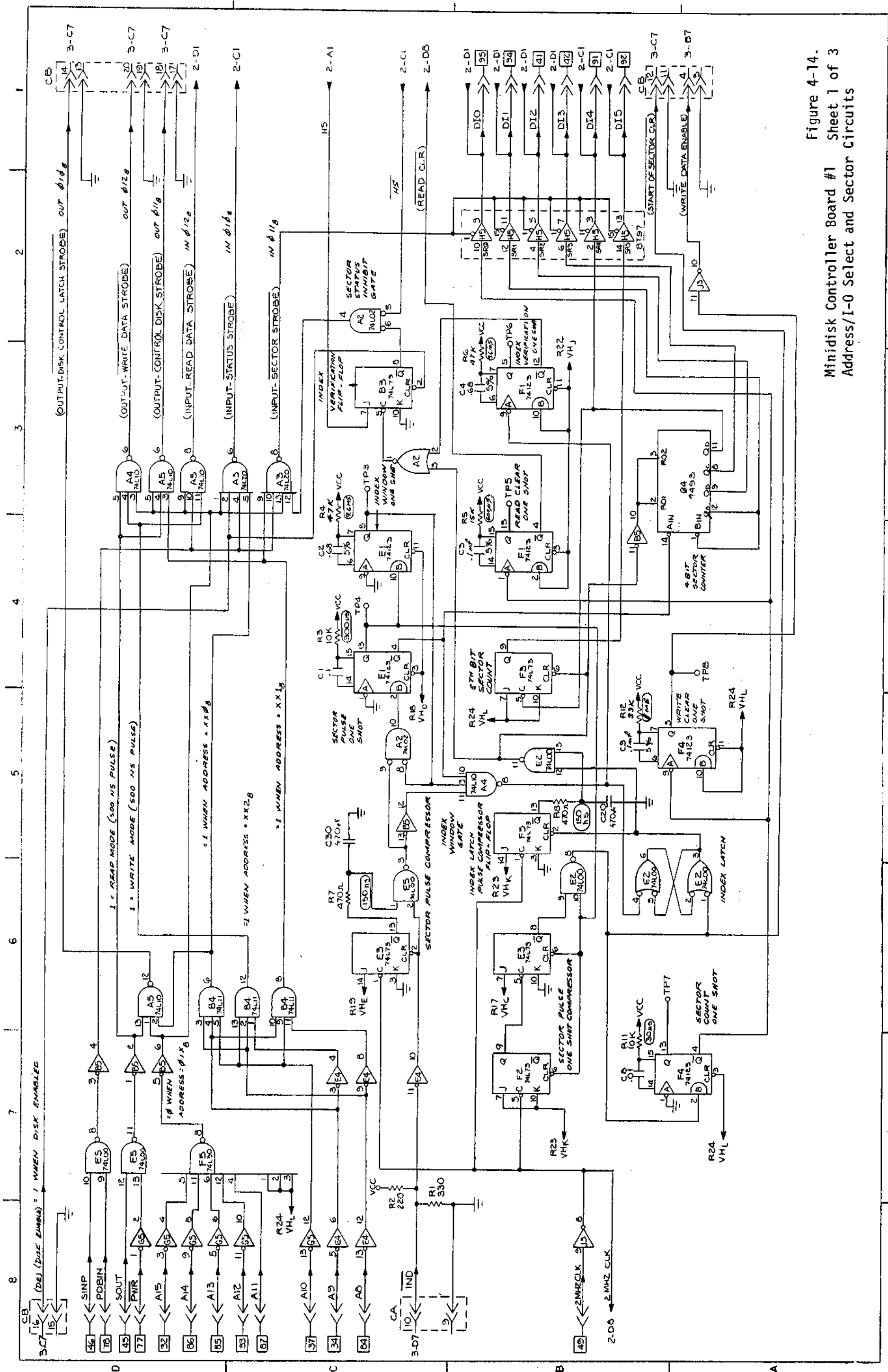


Figure 4-14.
Minidisk Controller Board #1 Sheet 1 of 3
Address/I-O Select and Sector Circuits

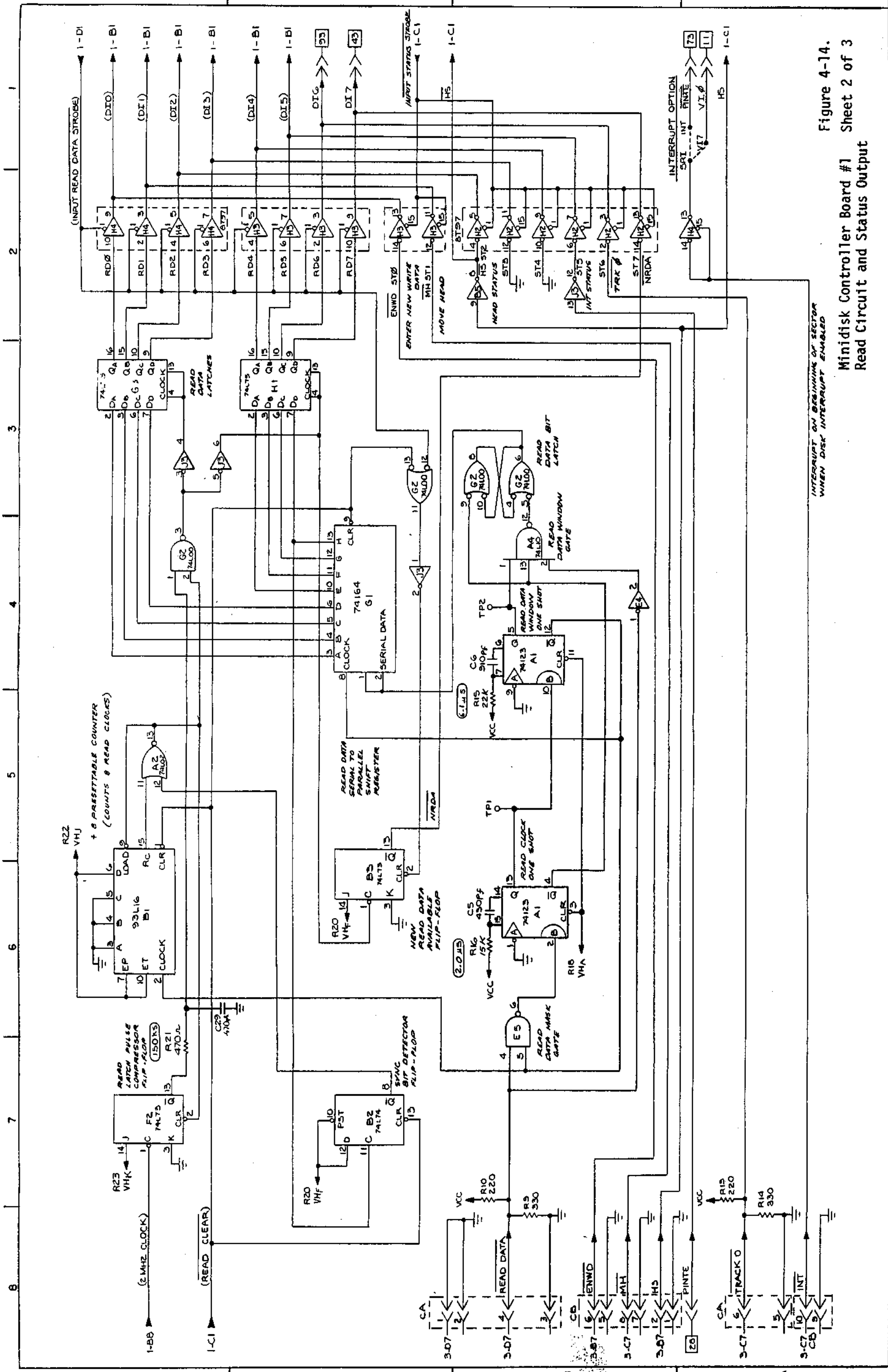
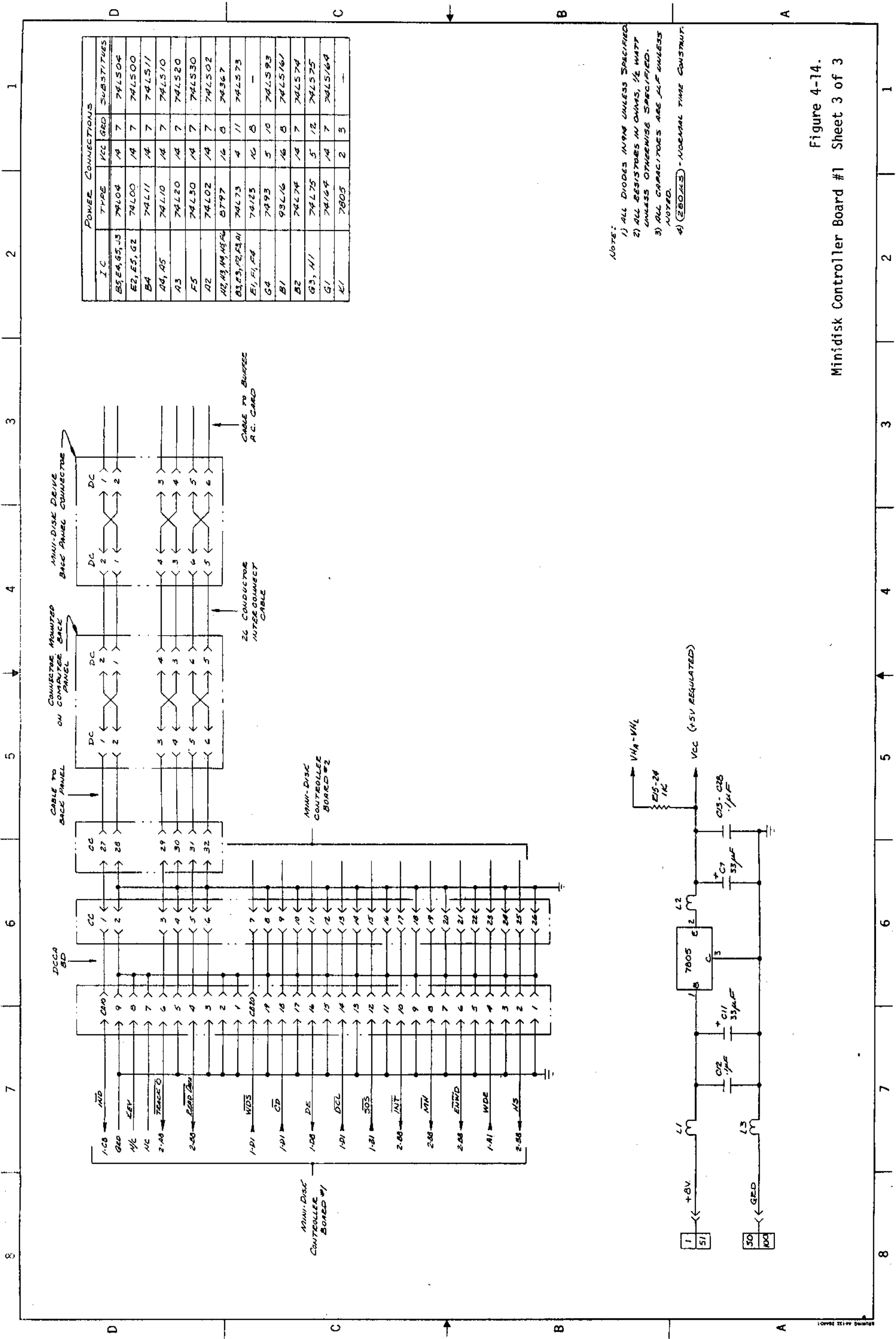


Figure 4-14. Minidisk Controller Board #1 Sheet 2 of 3 Read Circuit and Status Output



POWER CONNECTIONS			
I.C.	TYPE	VOL	GRD
B5, E4, G5, J5	74104	14	7
E2, E5, G2	74100	14	7
B4	74111	14	7
A4, A5	74110	14	7
A3	74120	14	7
F5	74130	14	7
A2	74102	14	7
A0, A3, A4, A5, A6	8797	16	8
B3, B5, F2, F3, H1	74173	4	11
E1, F1, F4	74123	16	8
G4	7493	5	10
B1	93116	16	8
B2	74174	14	7
G3, H1	74175	5	12
G1	74164	14	7
K1	7805	2	5

NOTE:
 1) ALL DIODES IN 99M UNLESS SPECIFIED
 2) ALL RESISTORS IN OHMS, 1/2 WATT UNLESS OTHERWISE SPECIFIED.
 3) ALL CAPACITORS ARE .1UF UNLESS NOTED.
 4) (2804S) - NORMAL TIME CONSTRAINT.

Figure 4-14.
 Minidisk Controller Board #1 Sheet 3 of 3

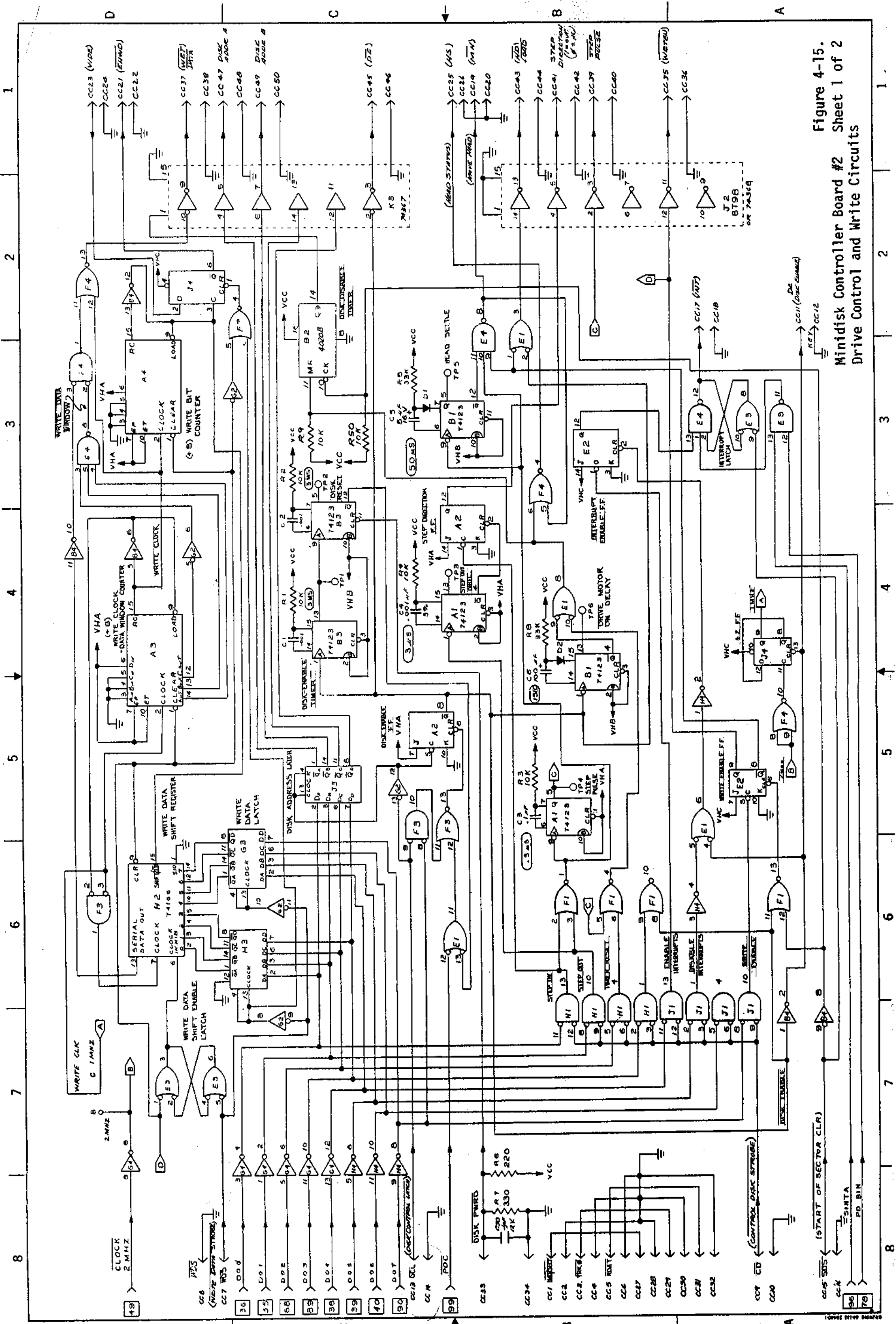
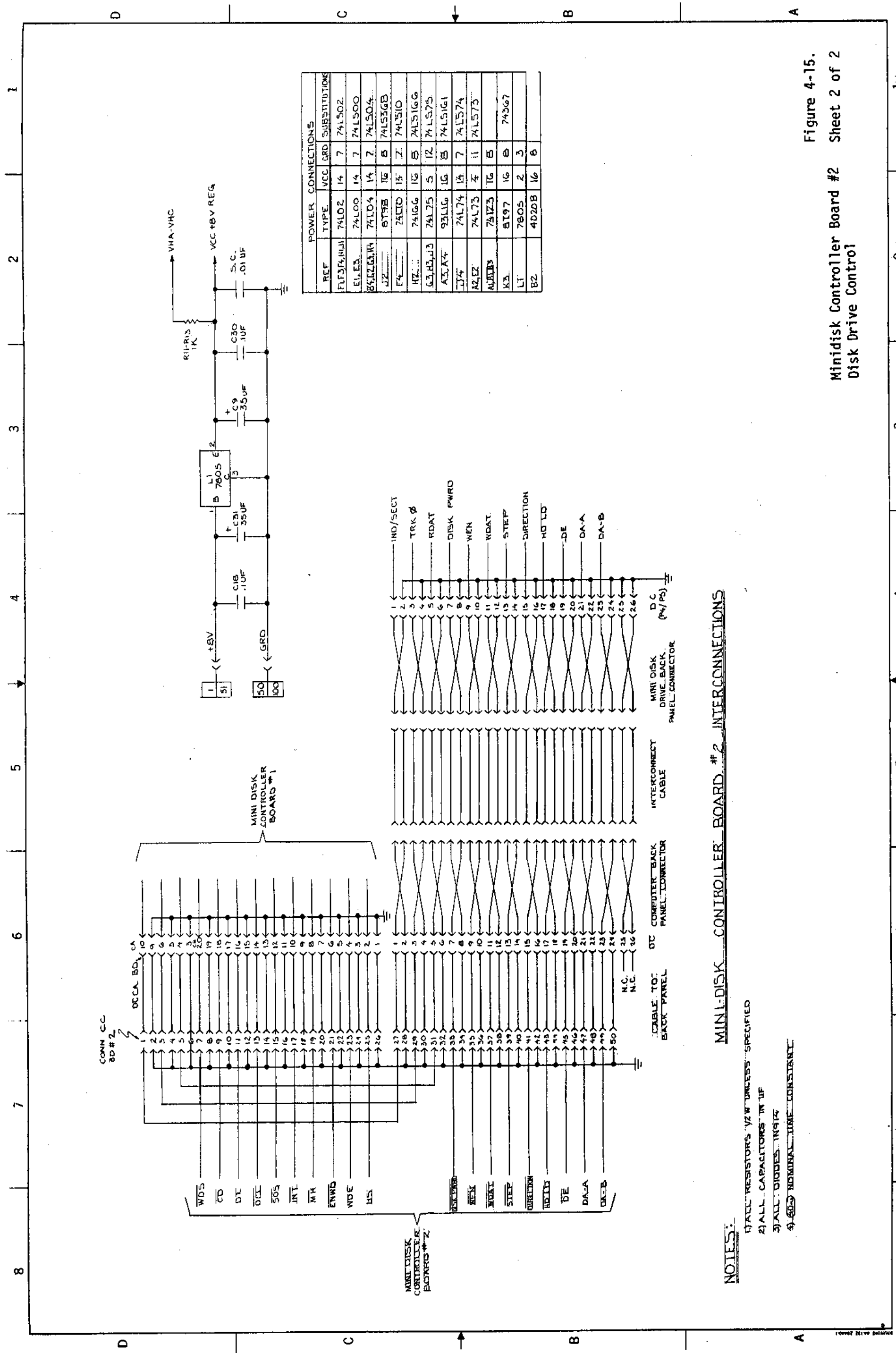


Figure 4-15.
Minidisk Controller Board #2 Sheet 1 of 2
Drive Control and Write Circuits



REF	TYPE	VCC	GRD	SUBSTITUTIONS
F1,F3,F4,H1,H2	74102	14	7	74LS02
E1,E3	74100	14	7	74LS00
B4,E2,G1,H4	74104	14	7	74LS04
J2	8T98	16	8	74LS36B
F4	7410	15	7	74LS10
H2	74106	16	8	74LS16G
G3,H3,J3	74175	5	12	74LS75
A3,A4	93116	16	8	74LS161
J4	74174	14	7	74LS74
A2,E2	74173	4	11	74LS73
A1,B1,B3	74123	16	8	
K3	8197	16	8	74367
L1	7805	2	3	
B2	4020B	16	8	

MINI-DISK CONTROLLER BOARD #2 INTERCONNECTIONS

- NOTES:**
- 1) ALL RESISTORS 1/2W UNLESS SPECIFIED
 - 2) ALL CAPACITORS IN UF
 - 3) ALL DIODES 1N914
 - 4) 603 NOMINAL TIME CONSTANT

Figure 4-15.
Minidisk Controller Board #2
Disk Drive Control