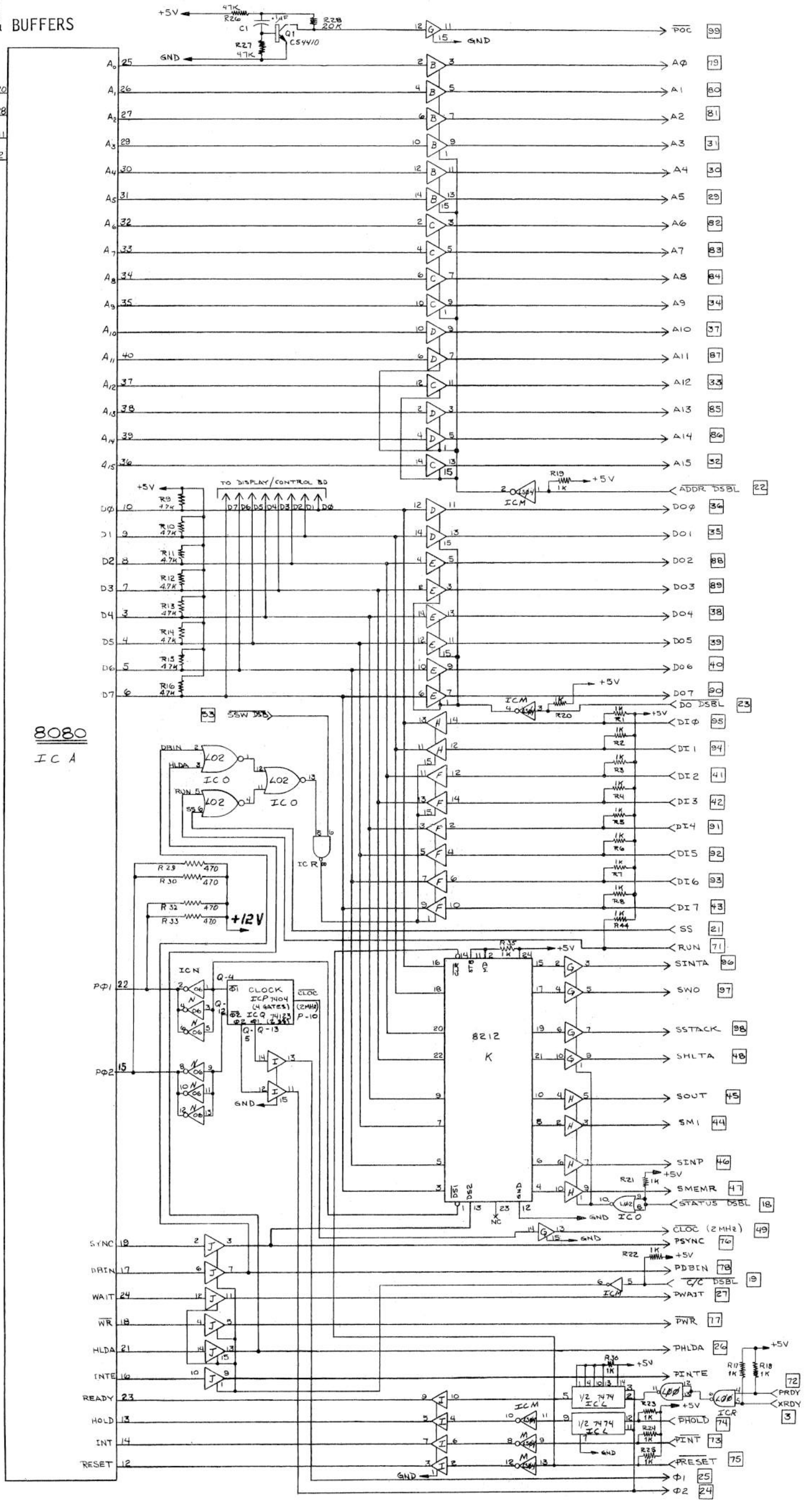
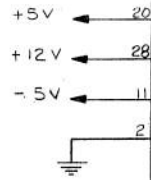
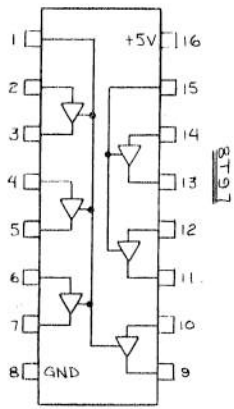
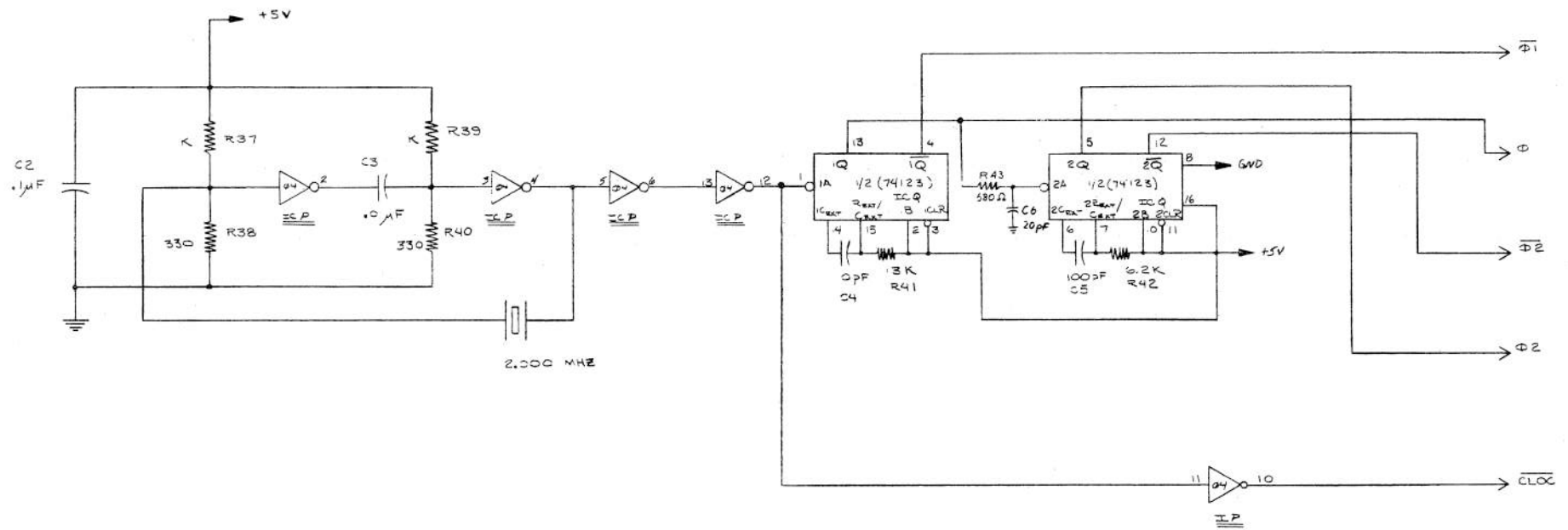


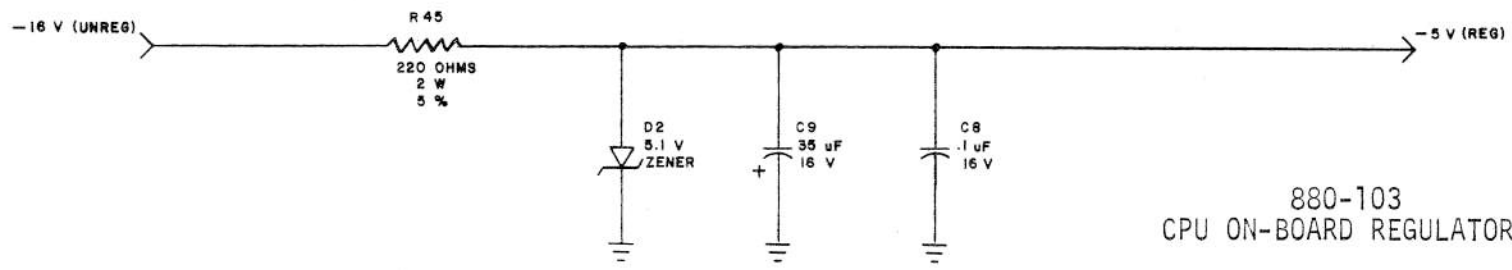
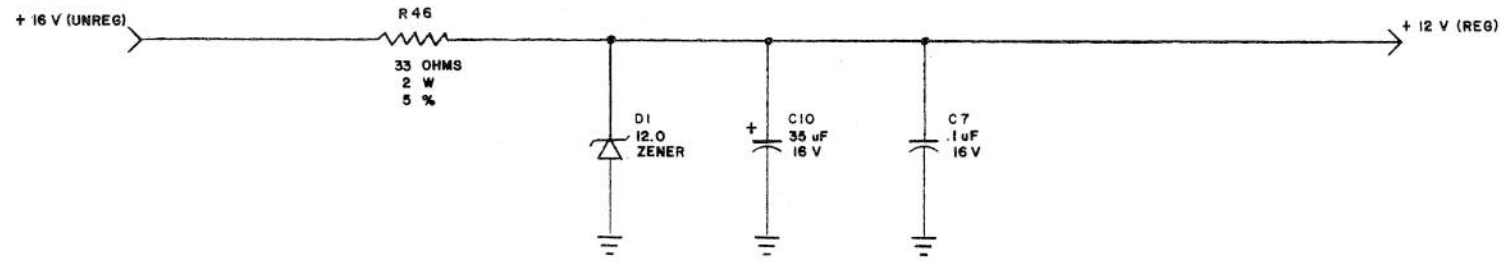
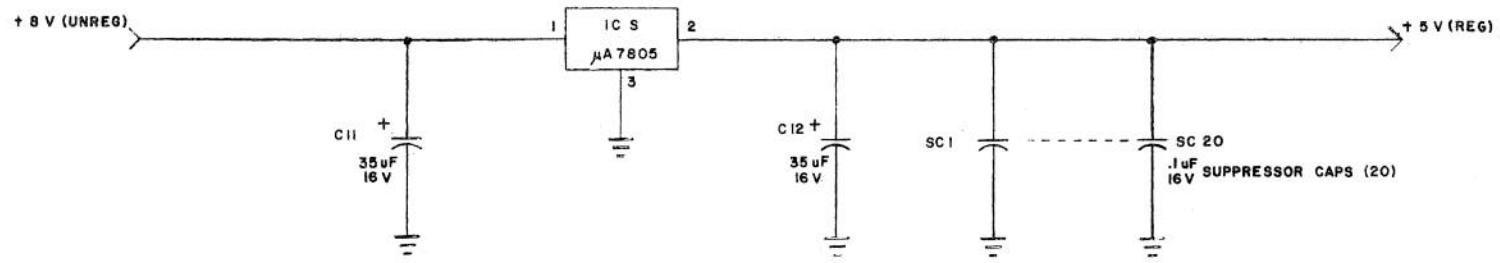
# 880-101 COMPUTER CPU & BUFFERS



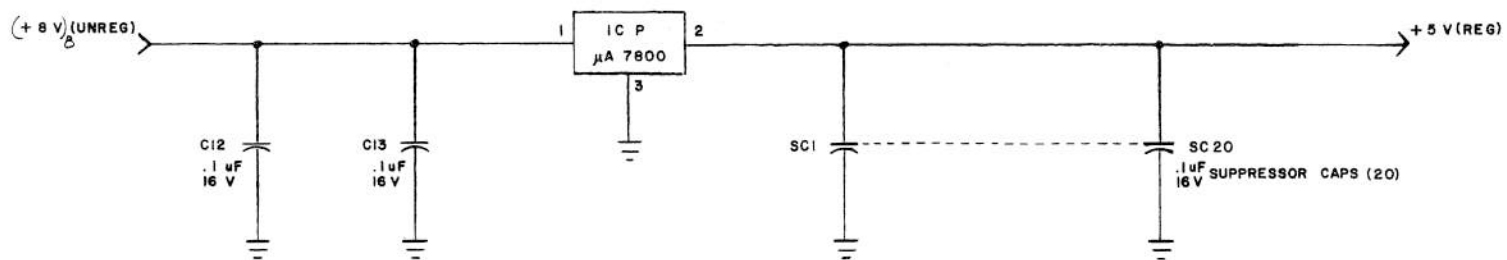
8080  
IC A



880-102  
SYSTEM CLOCK

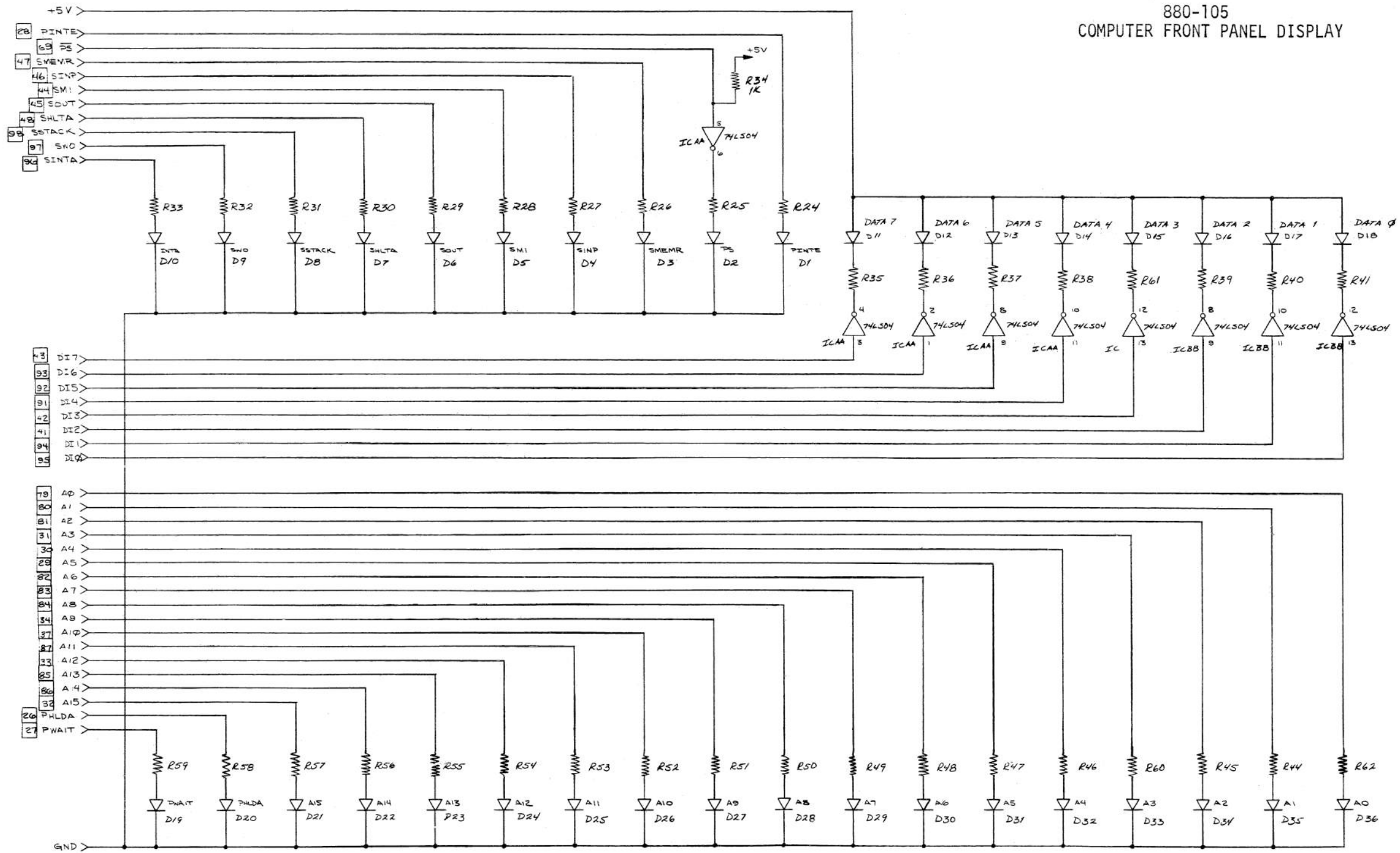


880-103  
CPU ON-BOARD REGULATORS

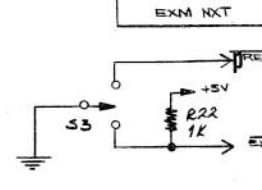
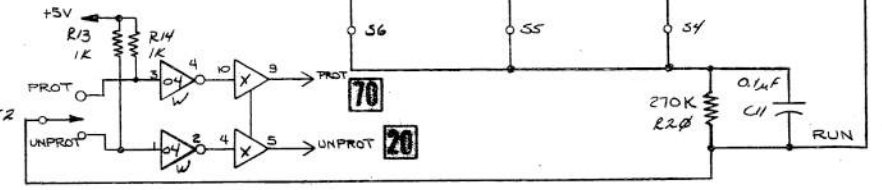
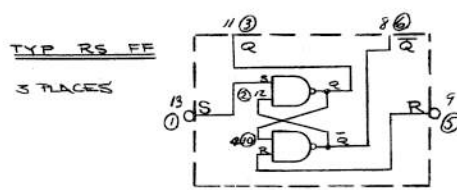
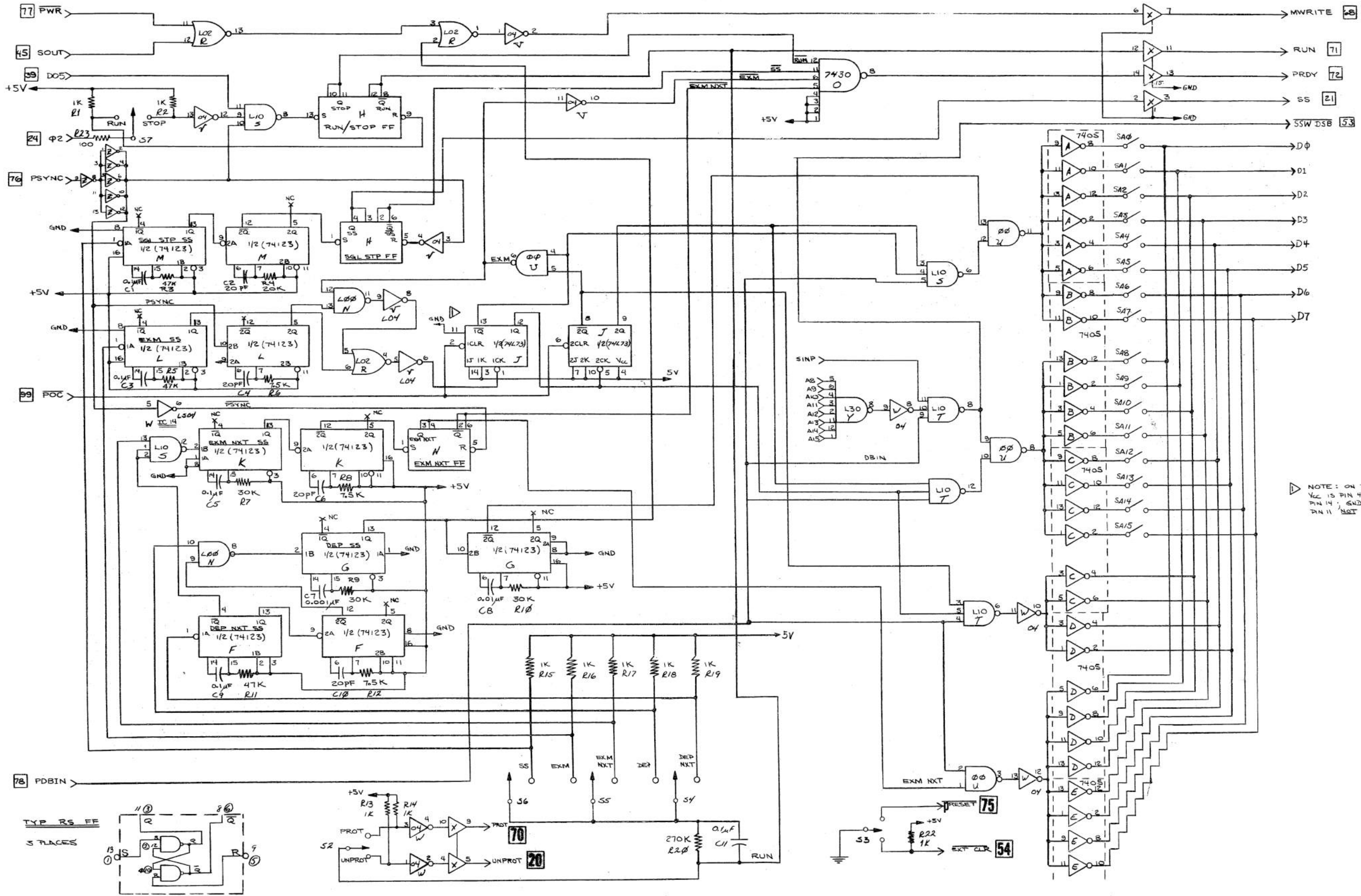


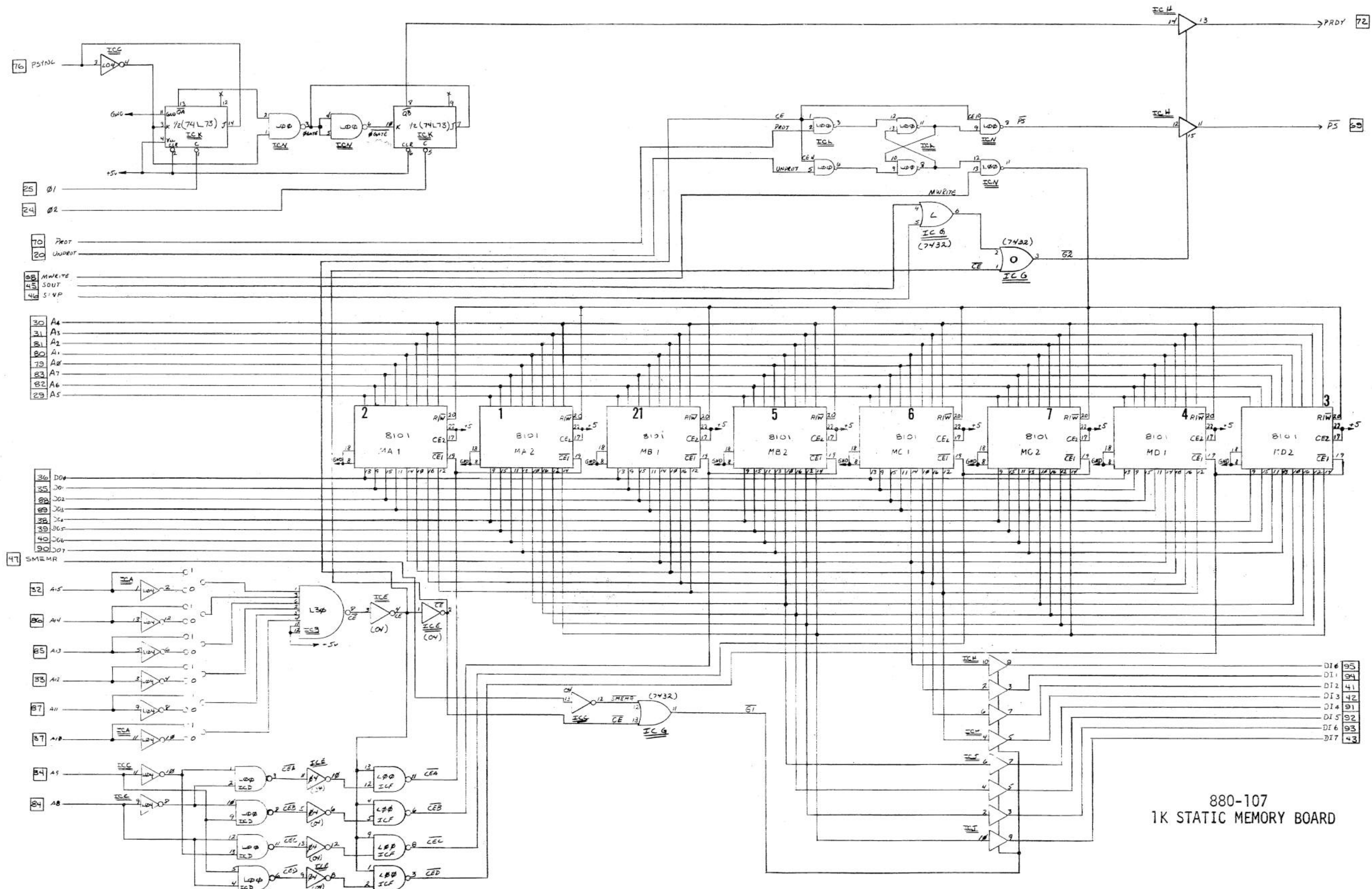
880-104  
DISPLAY/CONTROL ON-BOARD REGULATOR

880-105  
COMPUTER FRONT PANEL DISPLAY

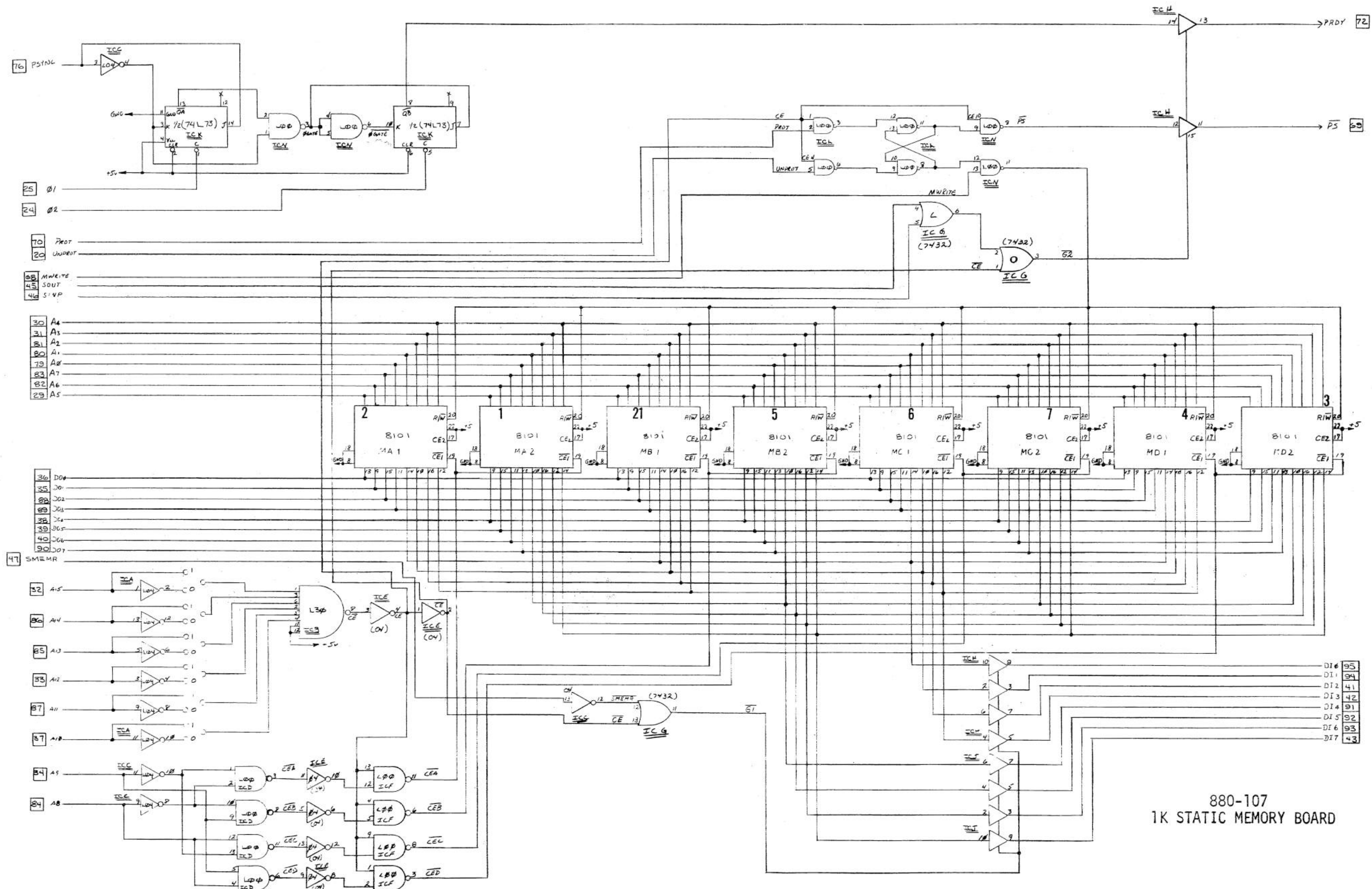


# 880-106 COMPUTER FRONT PANEL CONTROL

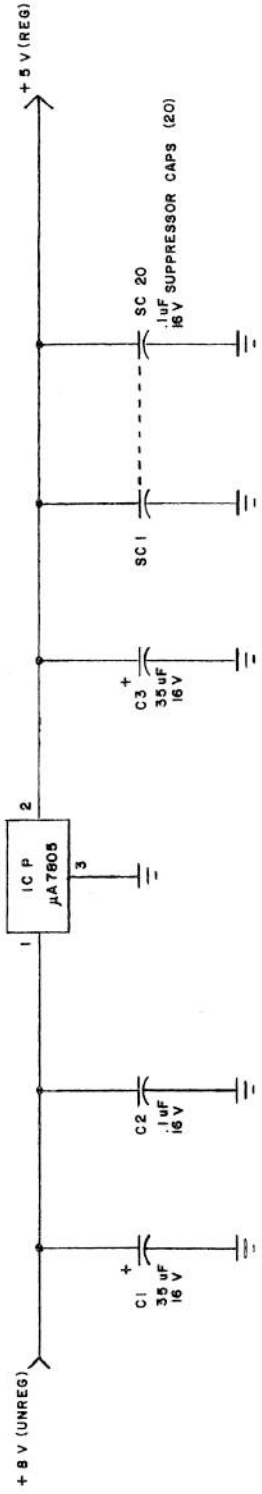




880-107  
1K STATIC MEMORY BOARD

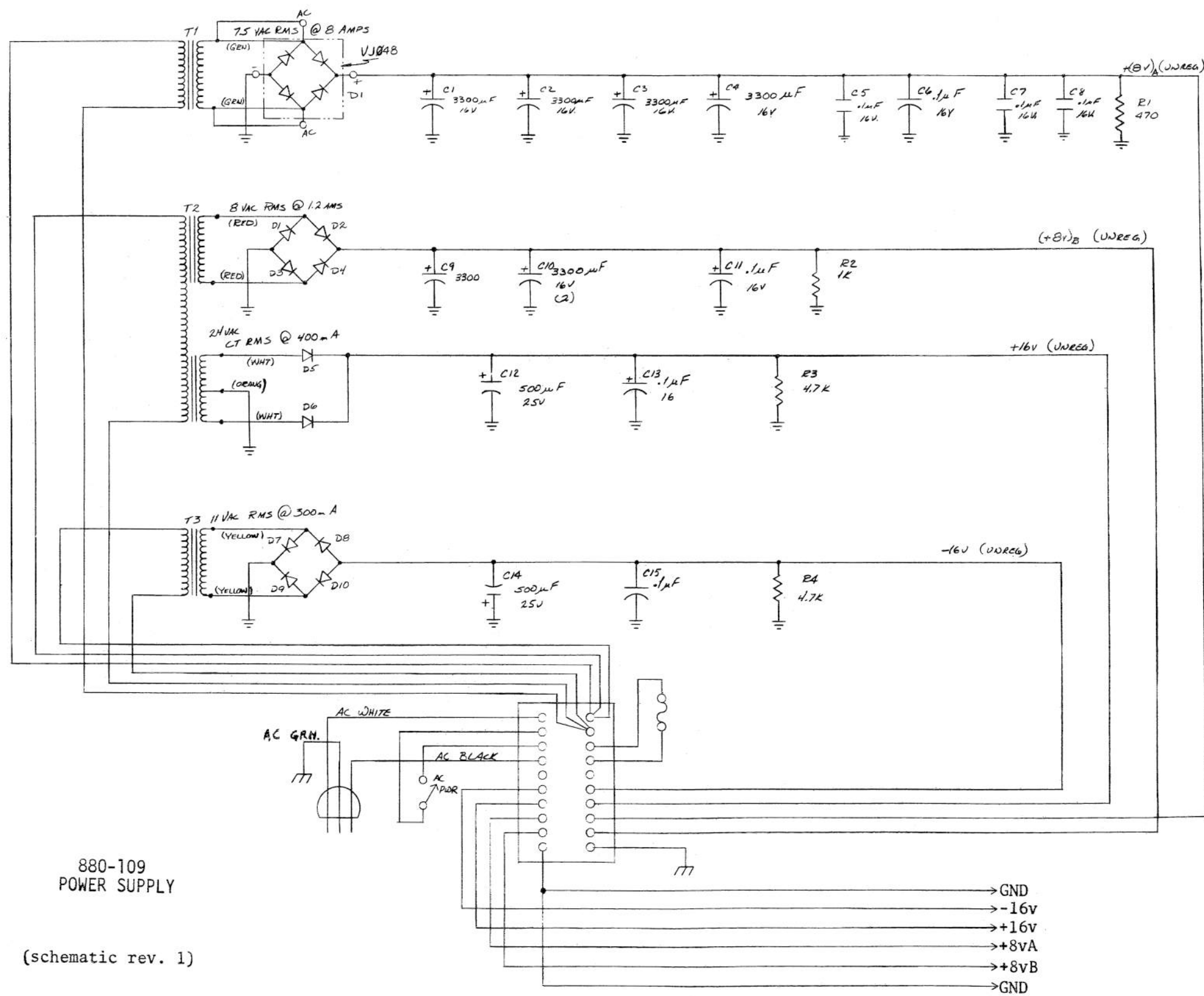


880-107  
1K STATIC MEMORY BOARD



880-108  
1K STATIC MEMORY ON-BOARD REGULATOR



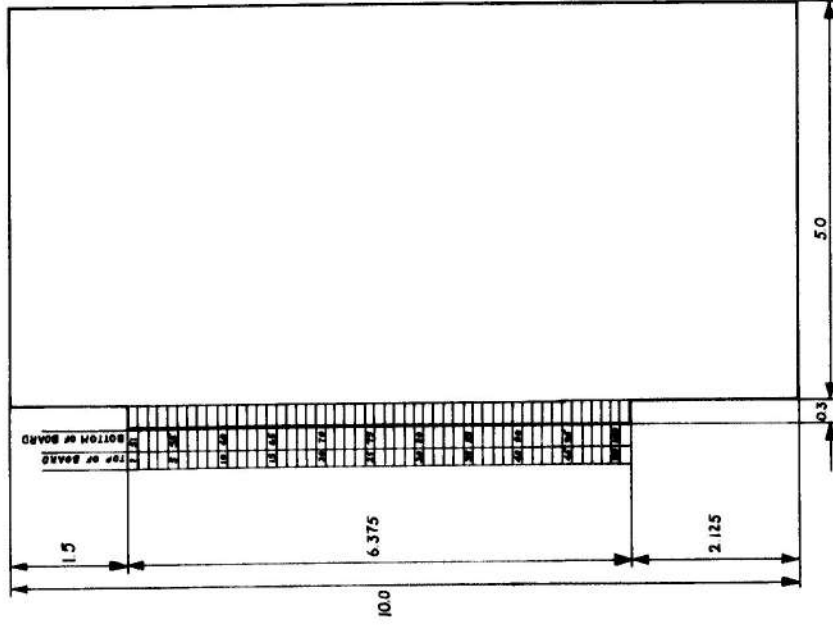


TOP OF BOARD

1	+5 V
2	+15 V
3	FRDY
4	V1.4
5	V1.1
6	V1.2
7	V1.3
8	V1.4
9	V1.5
10	V1.6
11	V1.7
12	
13	
14	
15	
16	
17	SW RESET
18	CR BARREL
19	PROJECT
20	
21	FRDY
22	V1.1
23	V1.2
24	V1.3
25	V1.4
26	V1.5
27	V1.6
28	V1.7
29	SW RESET
30	CR BARREL
31	PROJECT
32	
33	FRDY
34	V1.1
35	V1.2
36	V1.3
37	V1.4
38	V1.5
39	V1.6
40	V1.7
41	SW RESET
42	CR BARREL
43	PROJECT
44	
45	FRDY
46	V1.1
47	V1.2
48	V1.3
49	V1.4
50	GND

BOTTOM OF BOARD

51	+5 V
52	+15 V
53	SW RESET
54	EXT CLR
55	
56	
57	
58	
59	
60	
61	
62	
63	
64	
65	
66	
67	
68	
69	
70	
71	
72	
73	
74	
75	
76	
77	
78	
79	
80	
81	
82	
83	
84	
85	
86	
87	
88	
89	
90	
91	
92	
93	
94	
95	
96	
97	
98	
99	
100	



880-110  
SYSTEM BUS STRUCTURE