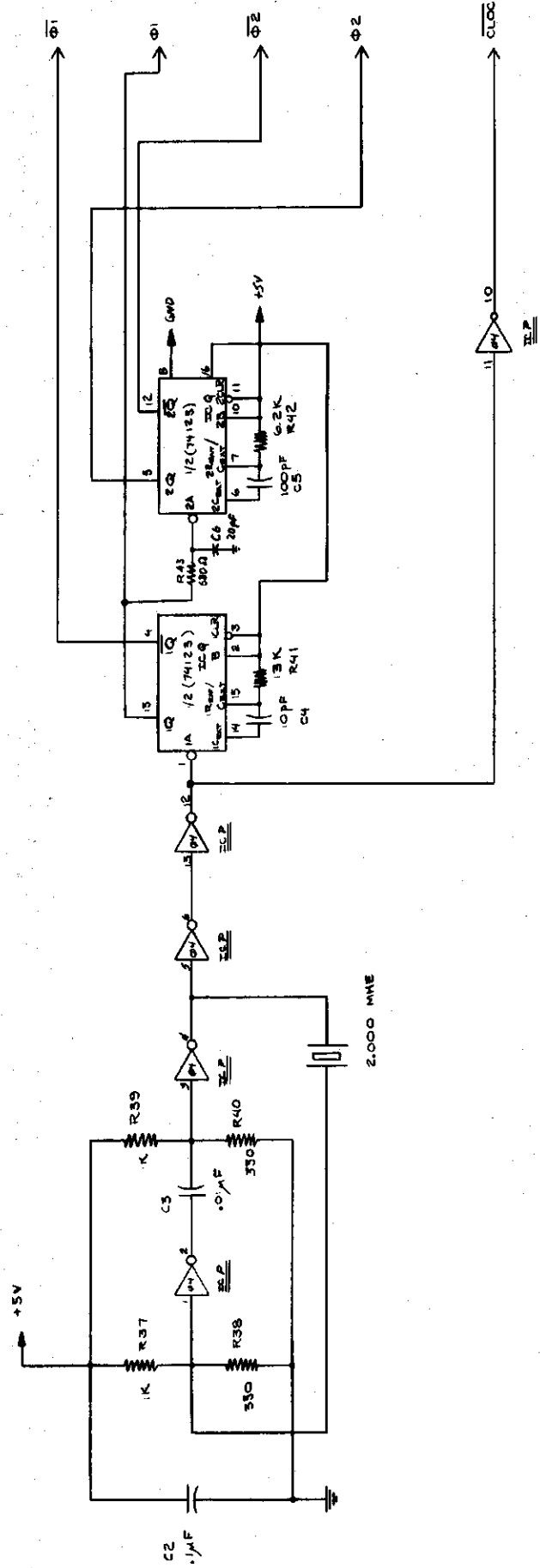


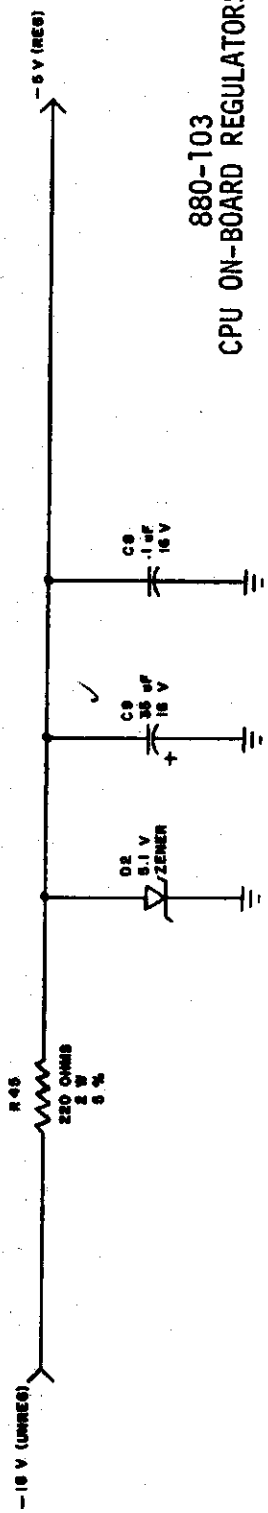
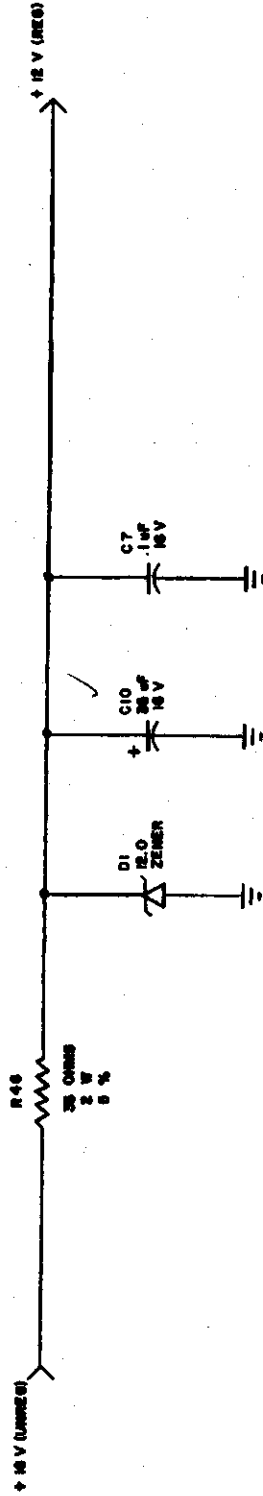
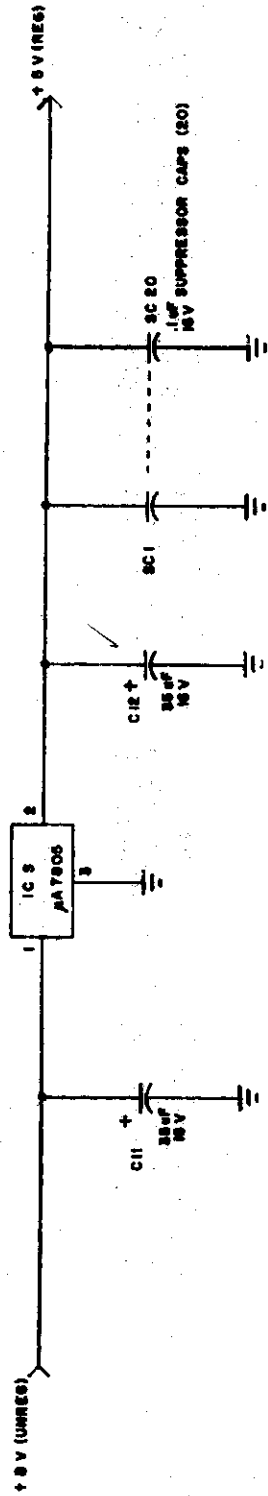
880-102

cpu



880-102 SYSTEM CLOCK (details)

88-103  
CPU

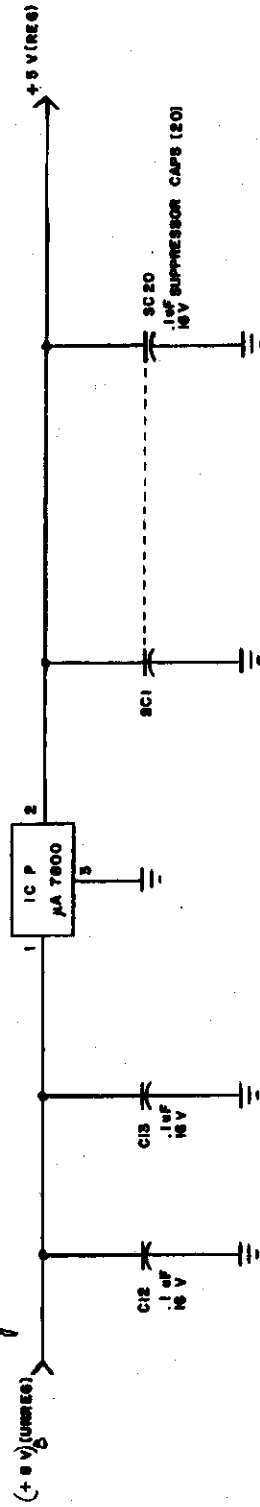


880-103  
CPU ON-BOARD REGULATORS

880-104

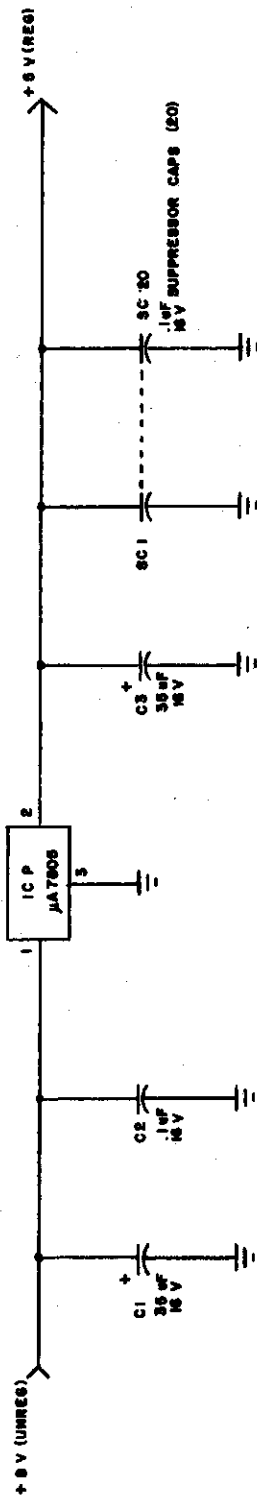
d/c

*100K to 1M*



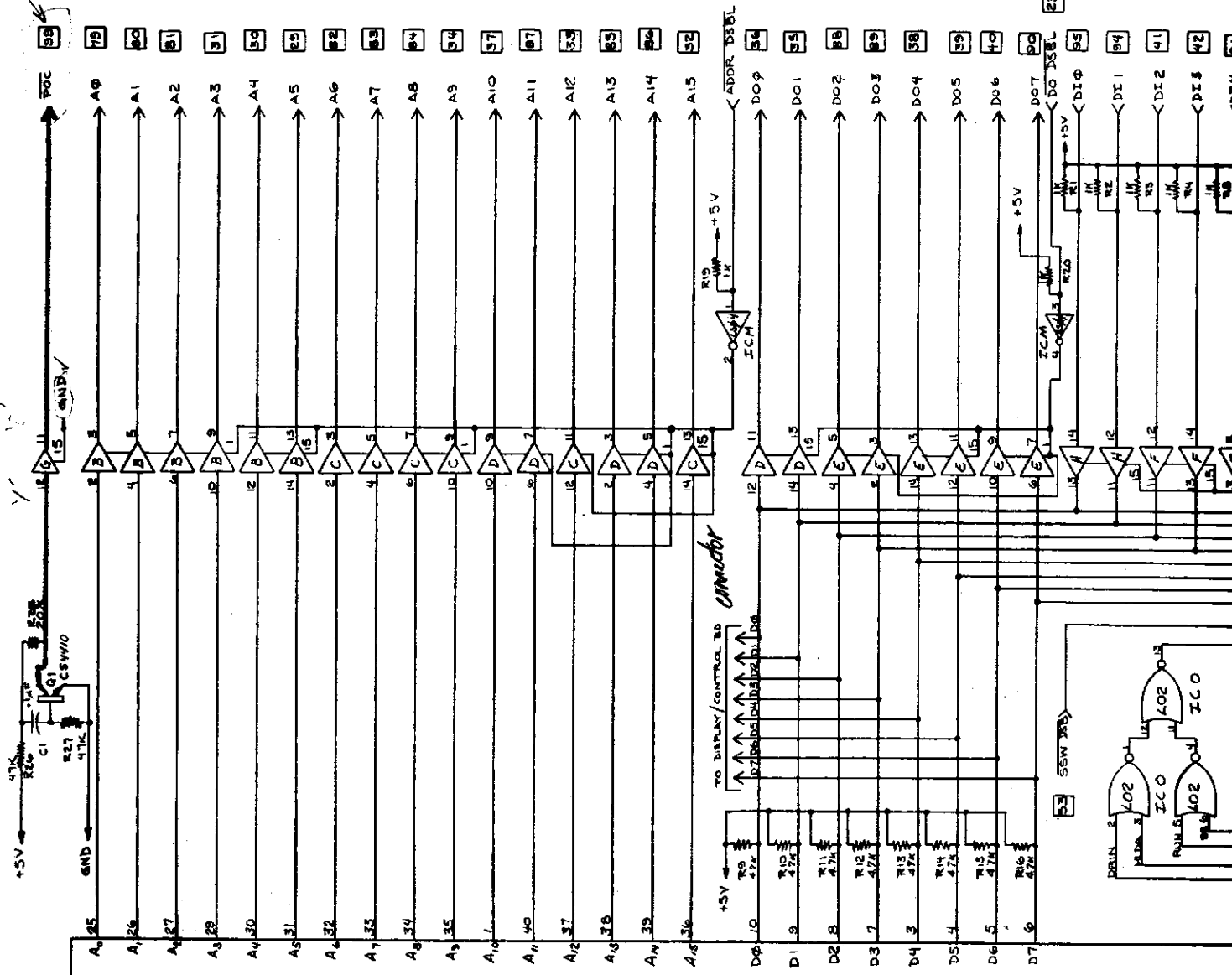
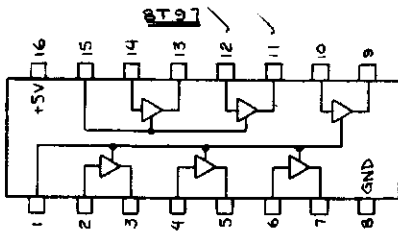
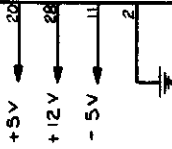
880-104  
DISPLAY/CONTROL ON-BOARD REGULATOR

880-108  
1K static memory



880-108  
1K STATIC MEMORY ON-BOARD REGULATOR

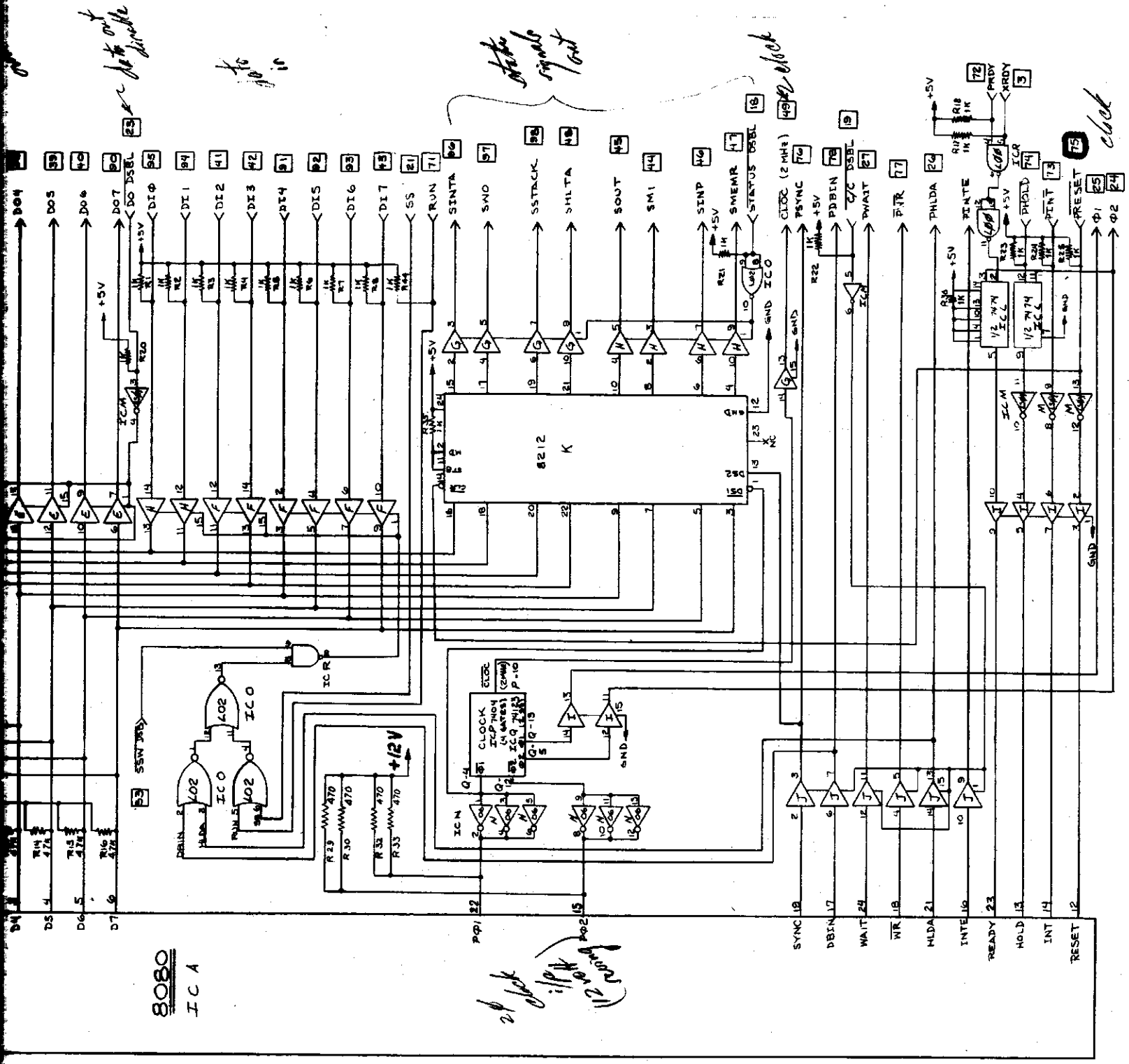
# 880-101 COMPUTER CPU & BUFFERS



8080  
I C A

*Handwritten notes:*  
 19 13  
 14 15  
 16  
 17  
 18  
 19  
 20  
 21  
 22  
 23  
 24  
 25  
 26  
 27  
 28  
 29  
 30  
 31  
 32  
 33  
 34  
 35  
 36  
 37  
 38  
 39  
 40  
 41  
 42  
 43  
 44  
 45  
 46  
 47  
 48  
 49  
 50  
 51  
 52  
 53  
 54  
 55  
 56  
 57  
 58  
 59  
 60  
 61  
 62  
 63  
 64  
 65  
 66  
 67  
 68  
 69  
 70  
 71  
 72  
 73  
 74  
 75  
 76  
 77  
 78  
 79  
 80  
 81  
 82  
 83  
 84  
 85  
 86  
 87  
 88  
 89  
 90  
 91  
 92  
 93  
 94  
 95  
 96  
 97  
 98  
 99  
 100

8080  
I C A



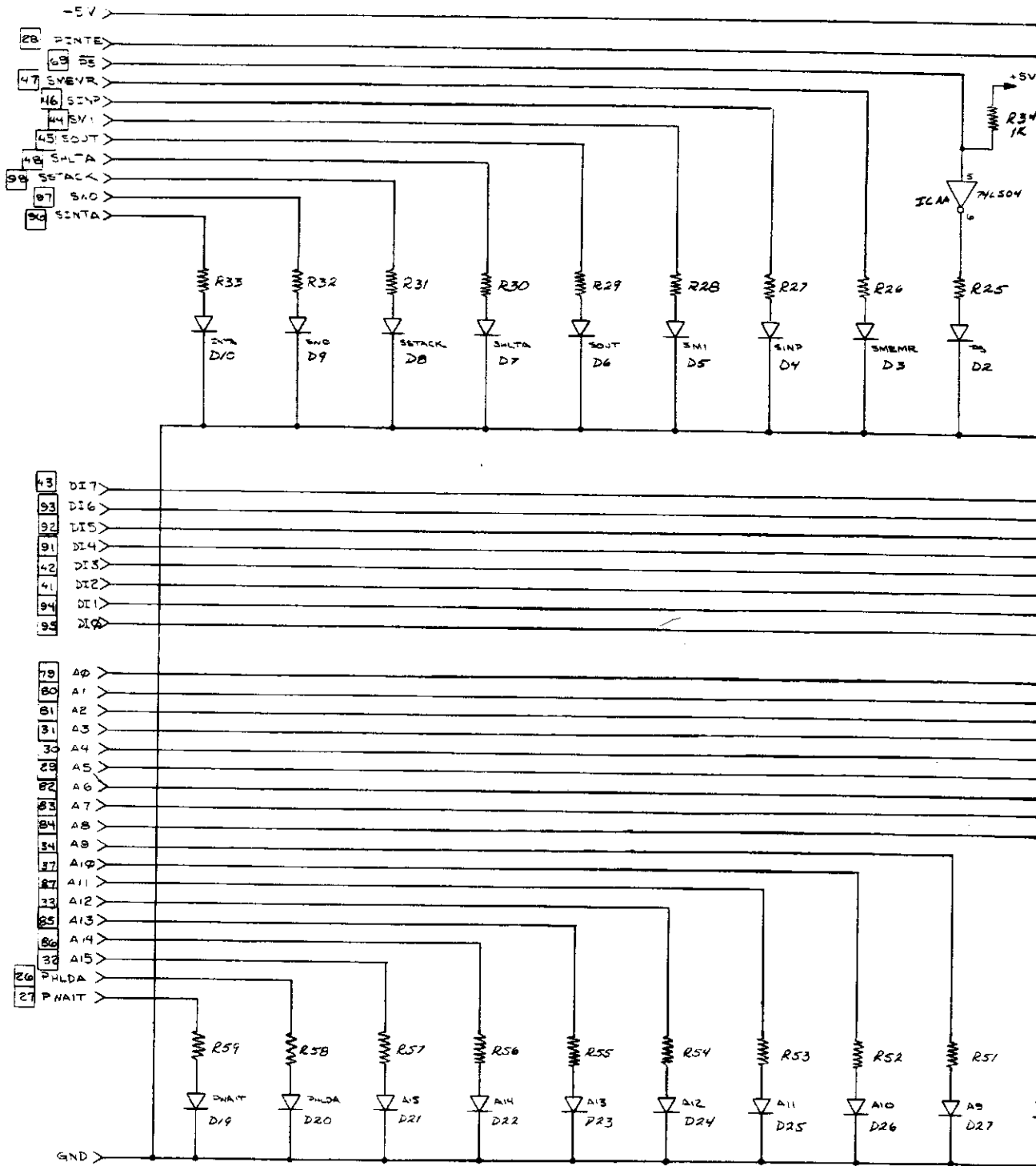
2nd clock  
clock

clock

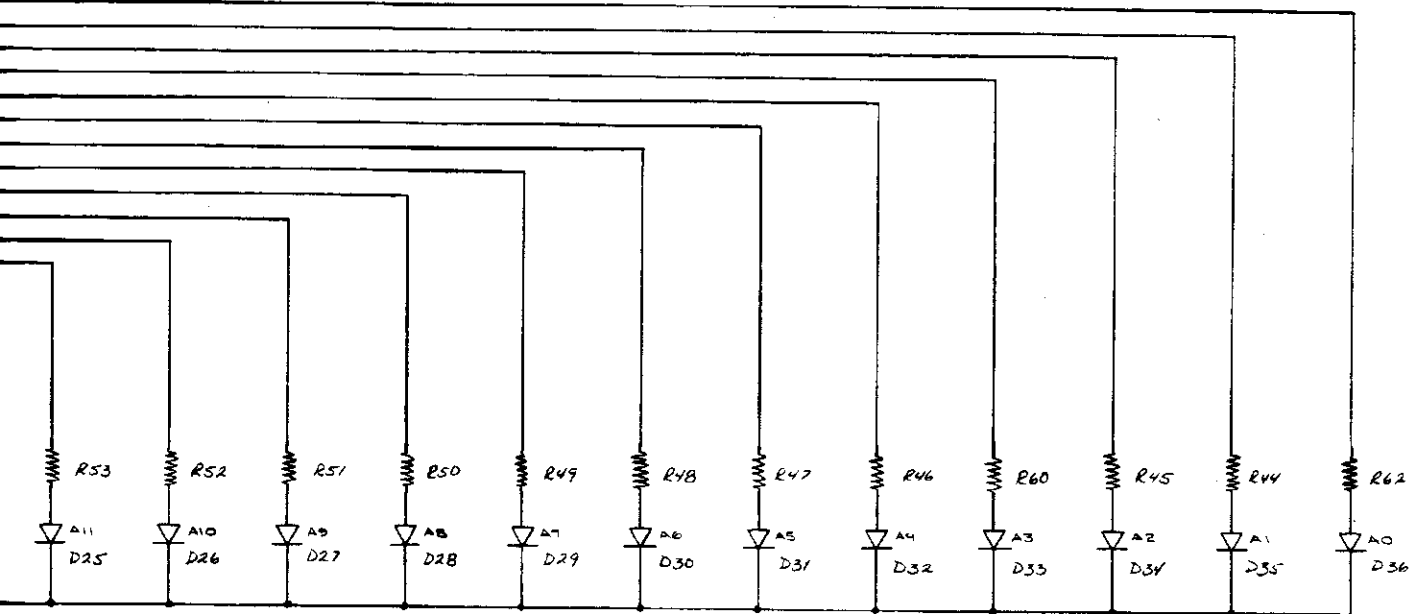
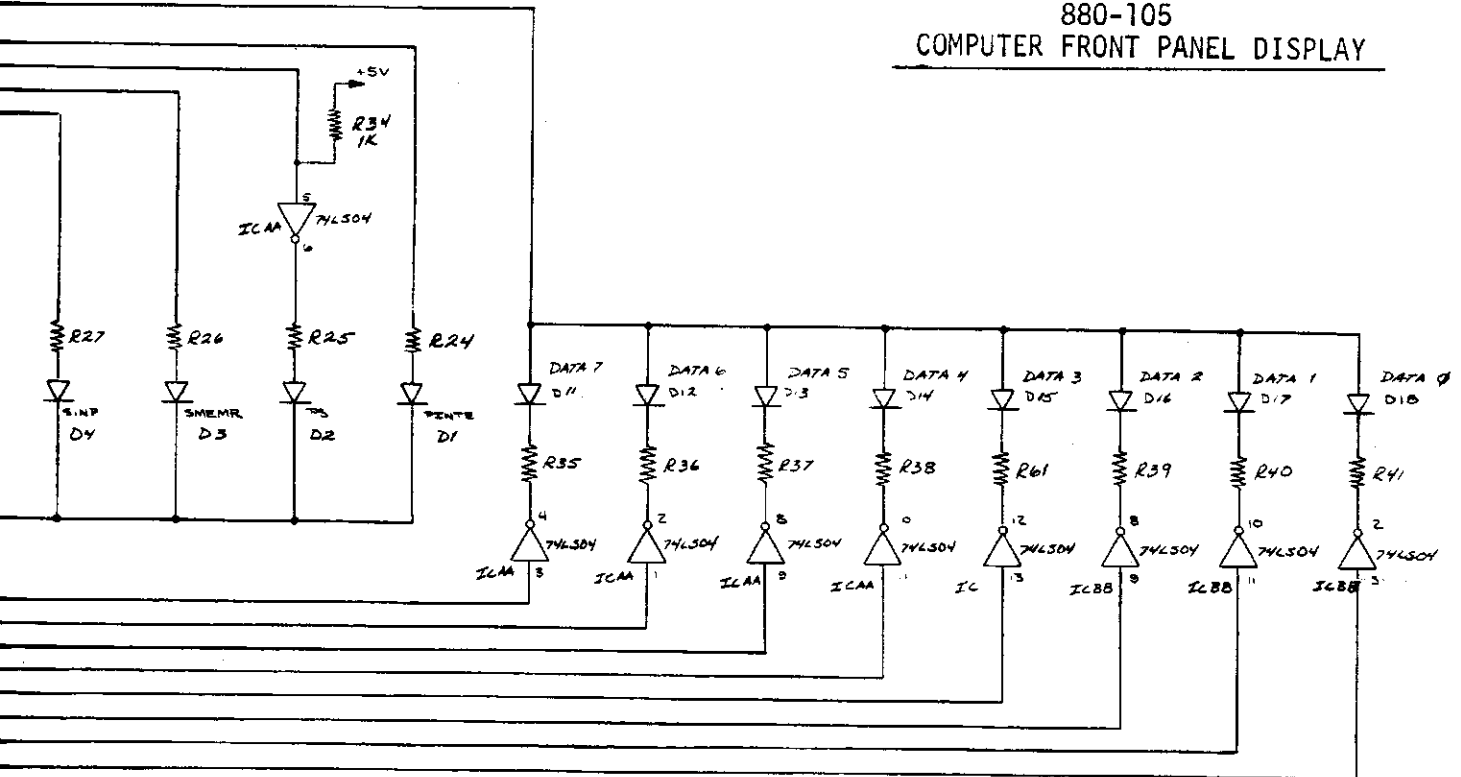
to 10 pin

status signals

clock

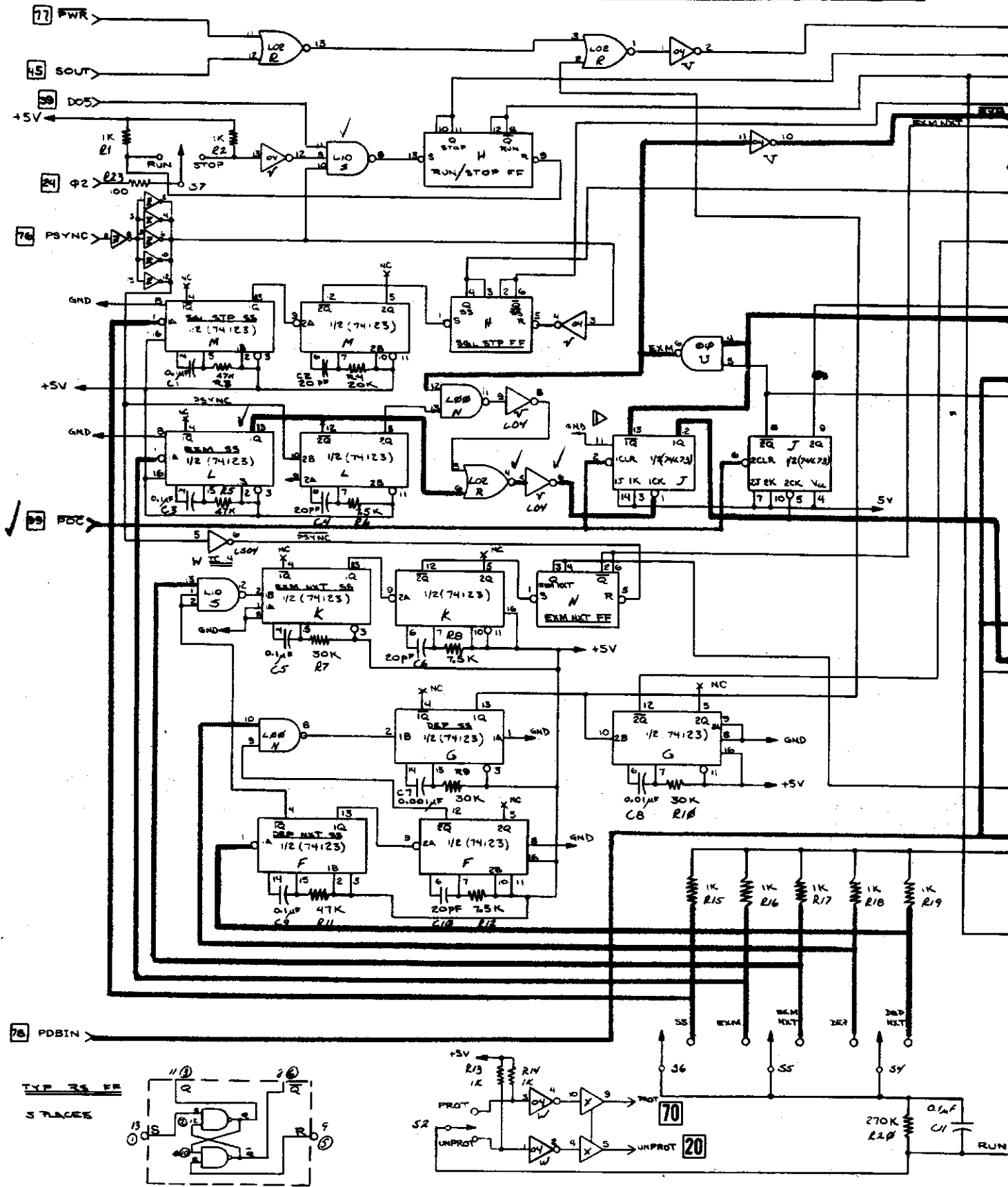


880-105  
COMPUTER FRONT PANEL DISPLAY

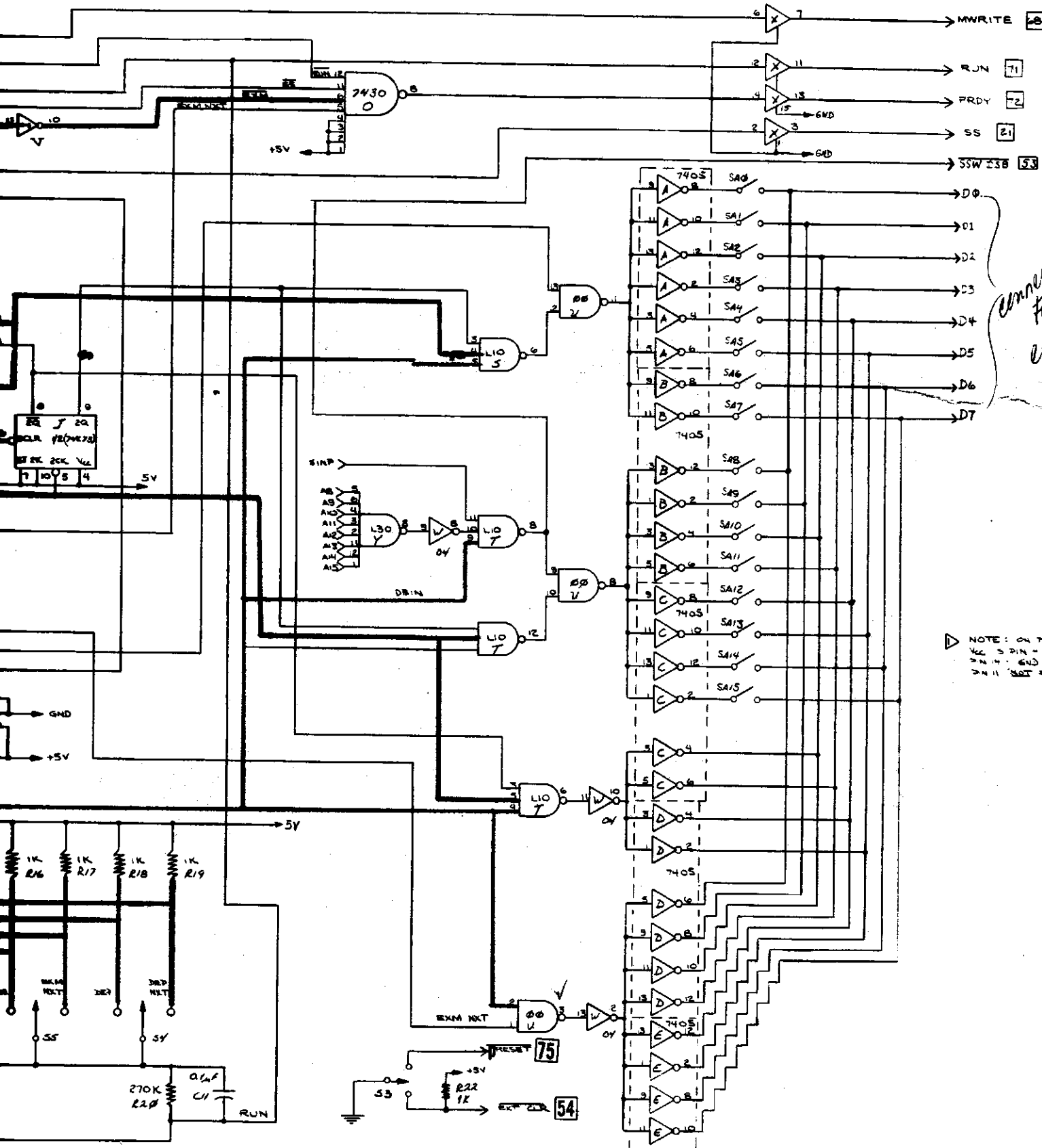




# 880-T06 COMPUTER FRONT PANEL CONTROL

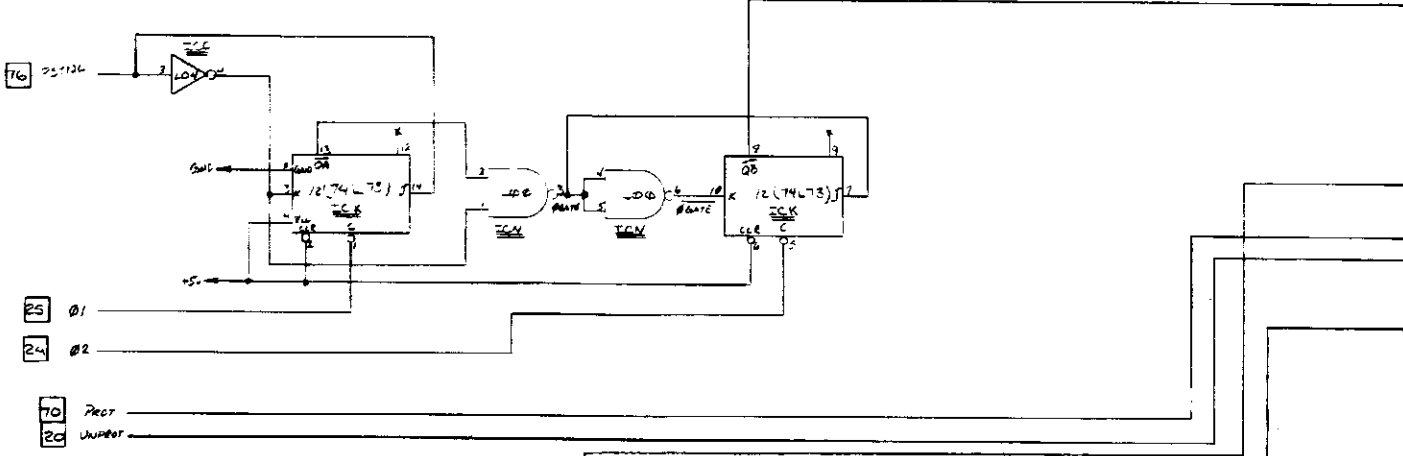


90-106 FRONT PANEL CONTROL



connector to epri board.

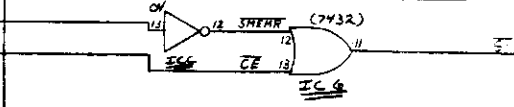
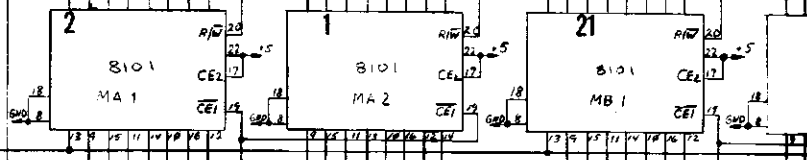
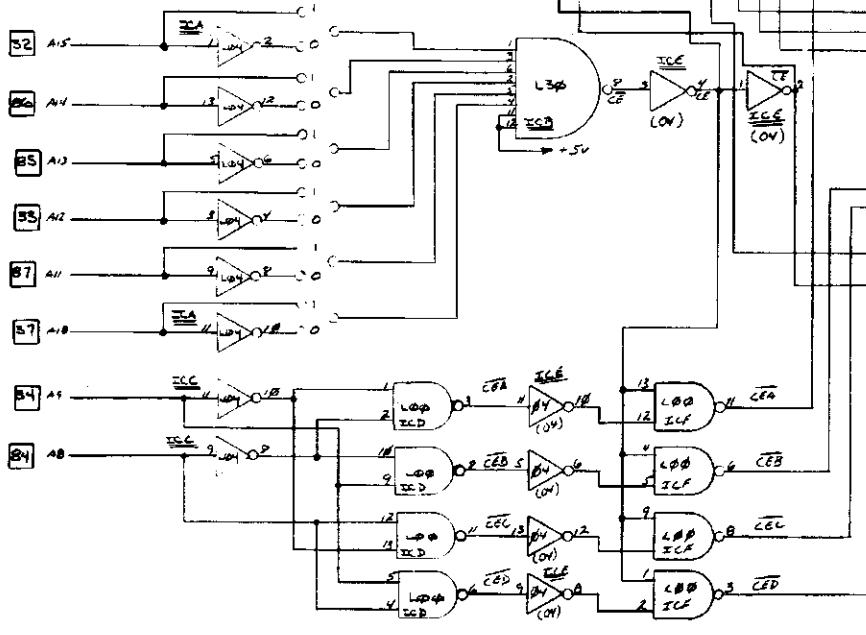
NOTE: ON 7175  
PINS 3, 14 - GND  
PINS 1, 2, 5 - GND

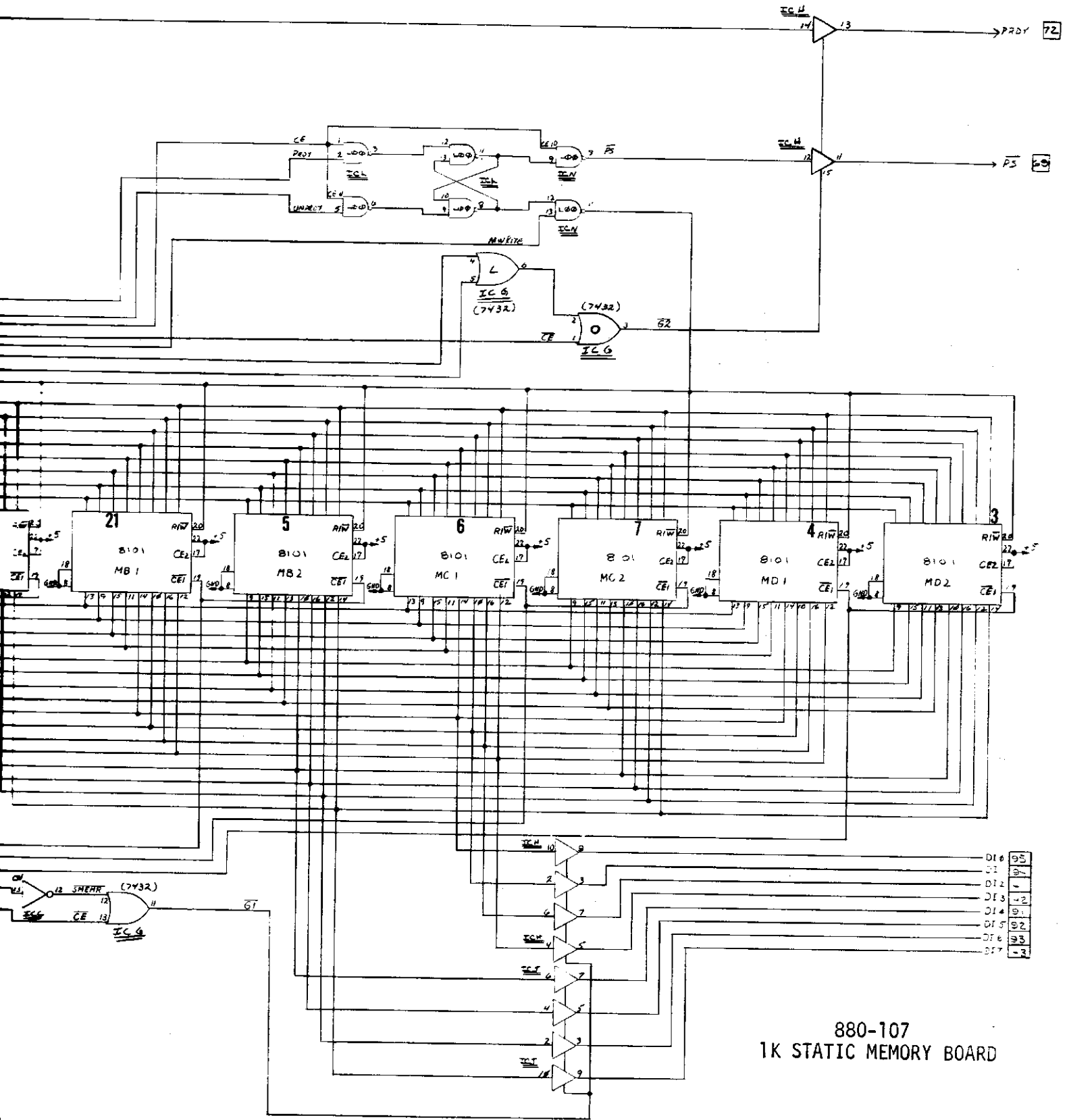


- 48 MARETE
- 45 SOUT
- 46 S VP

- 30 A4
- 31 A3
- 81 A2
- 80 A1
- 79 A0
- 83 A7
- 82 A6
- 29 A5

- 36 D04
- 35 D03
- 88 D02
- 89 D01
- 38 D06
- 39 D05
- 40 D04
- 30 D01
- 47 S MEMR

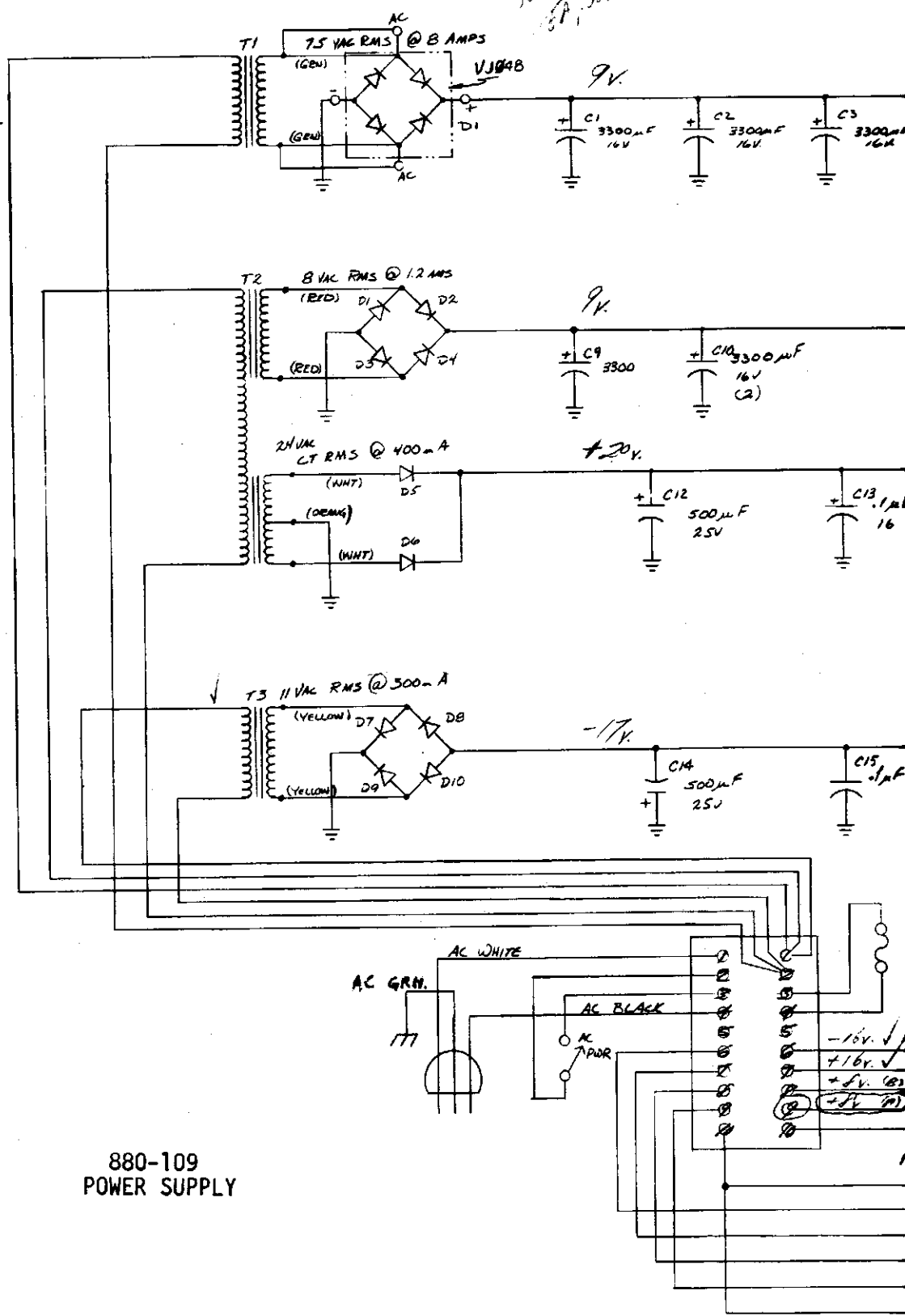




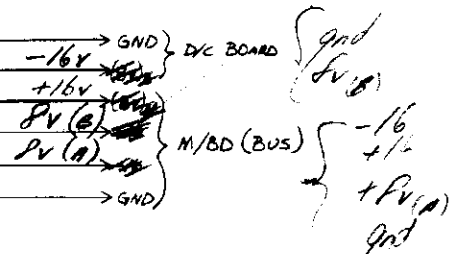
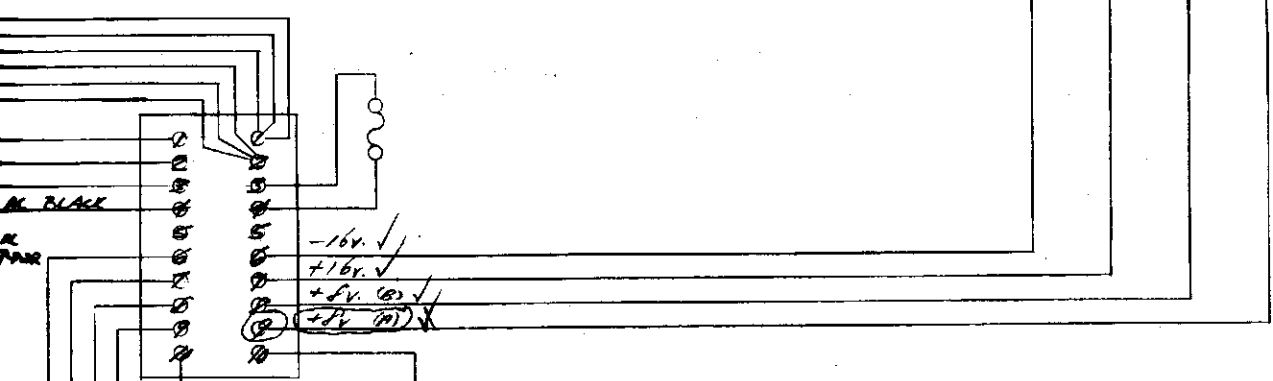
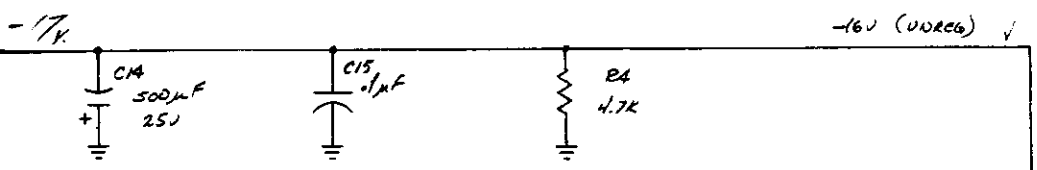
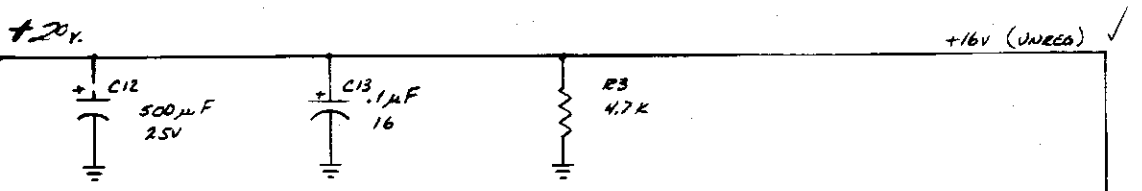
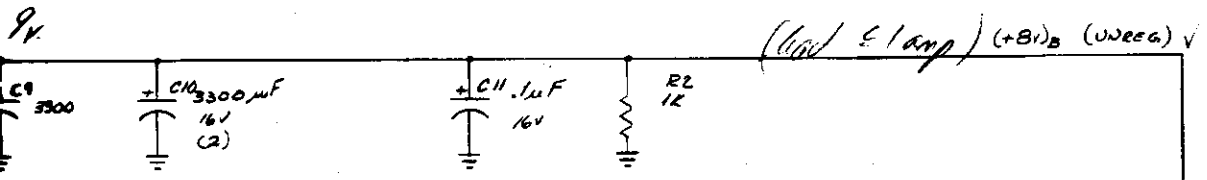
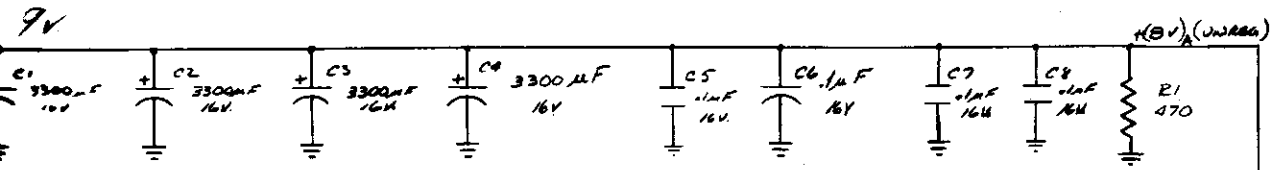
880-107  
1K STATIC MEMORY BOARD

- DI 0 95
- DI 1 96
- DI 2 97
- DI 3 98
- DI 4 99
- DI 5 100
- DI 6 101
- DI 7 102

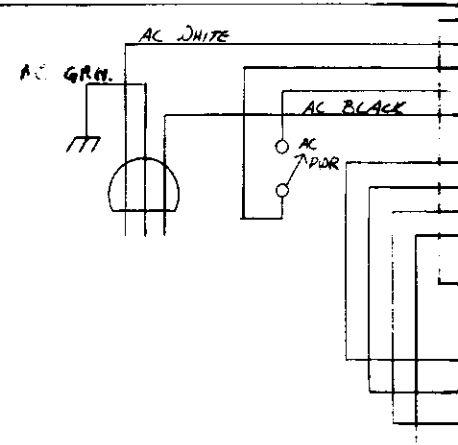
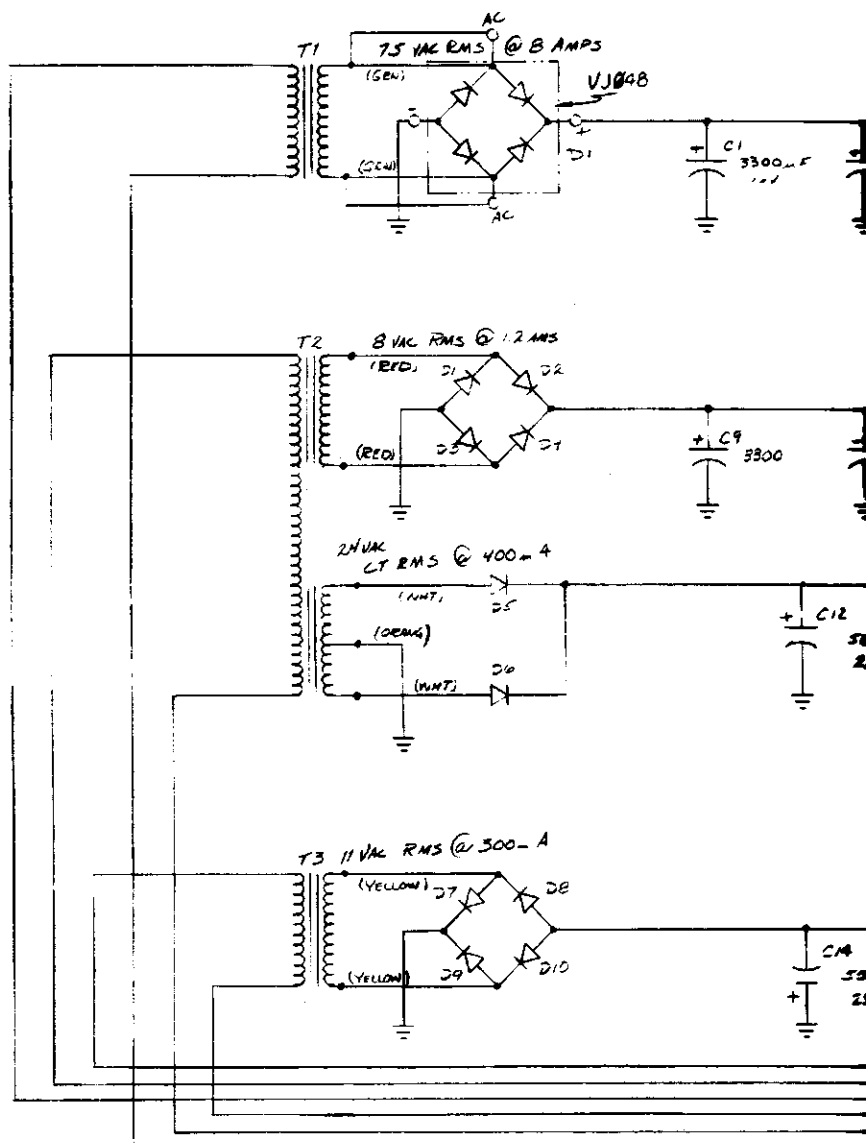
*Attair  
is used as  
in this diagram.*



880-109  
POWER SUPPLY



note 9V<sub>A</sub> goes to bus  
9V<sub>B</sub> goes to d/c board.



880-109  
POWER SUPPLY

(schematic rev. 1)

