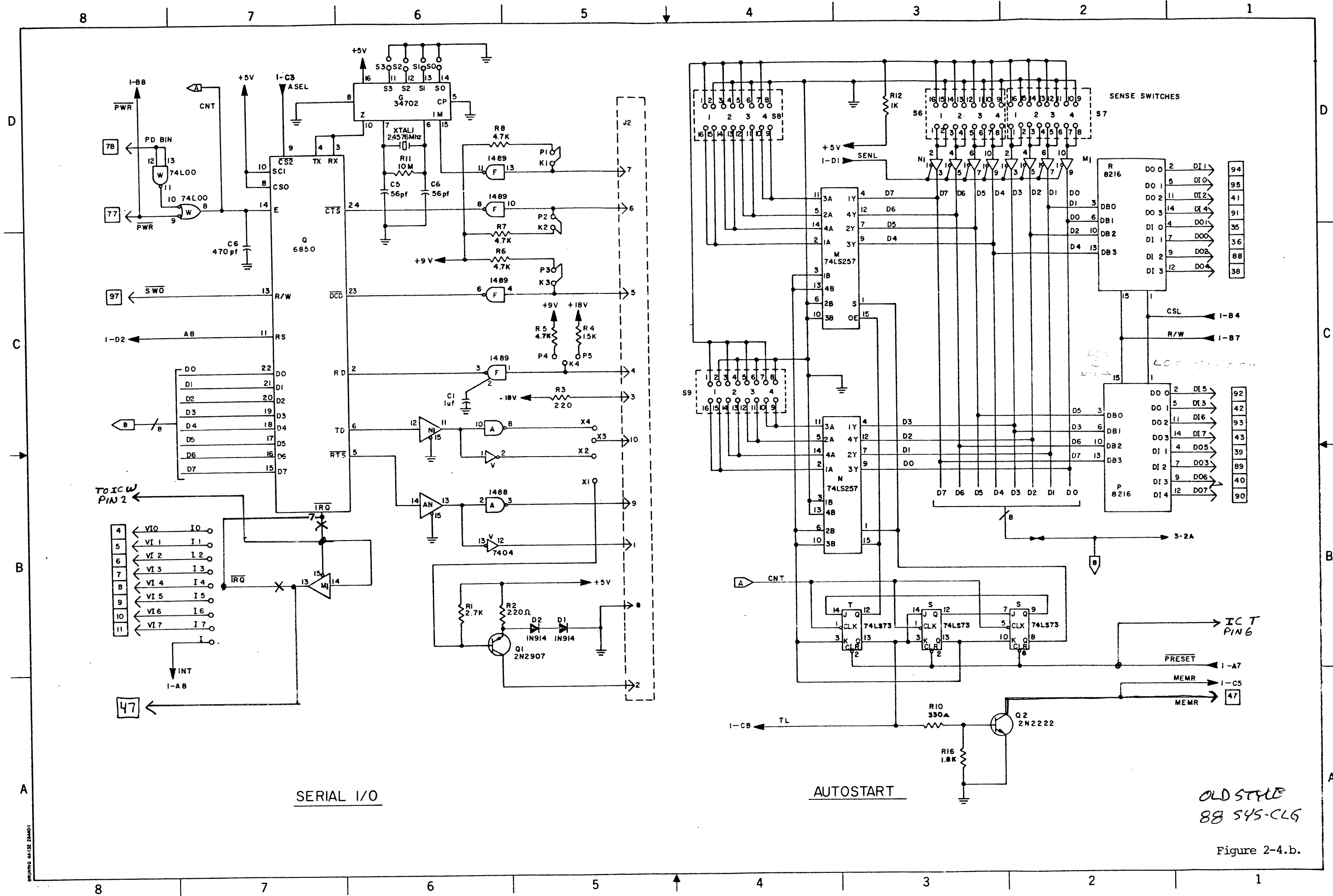


Figure 2-4.a.
OLD STYLE
 Turnkey Module Schematic
 88 545-CLG



SERIAL I/O

AUTOSTART

OLD STYLE
88 545-CL6

Figure 2-4.b.

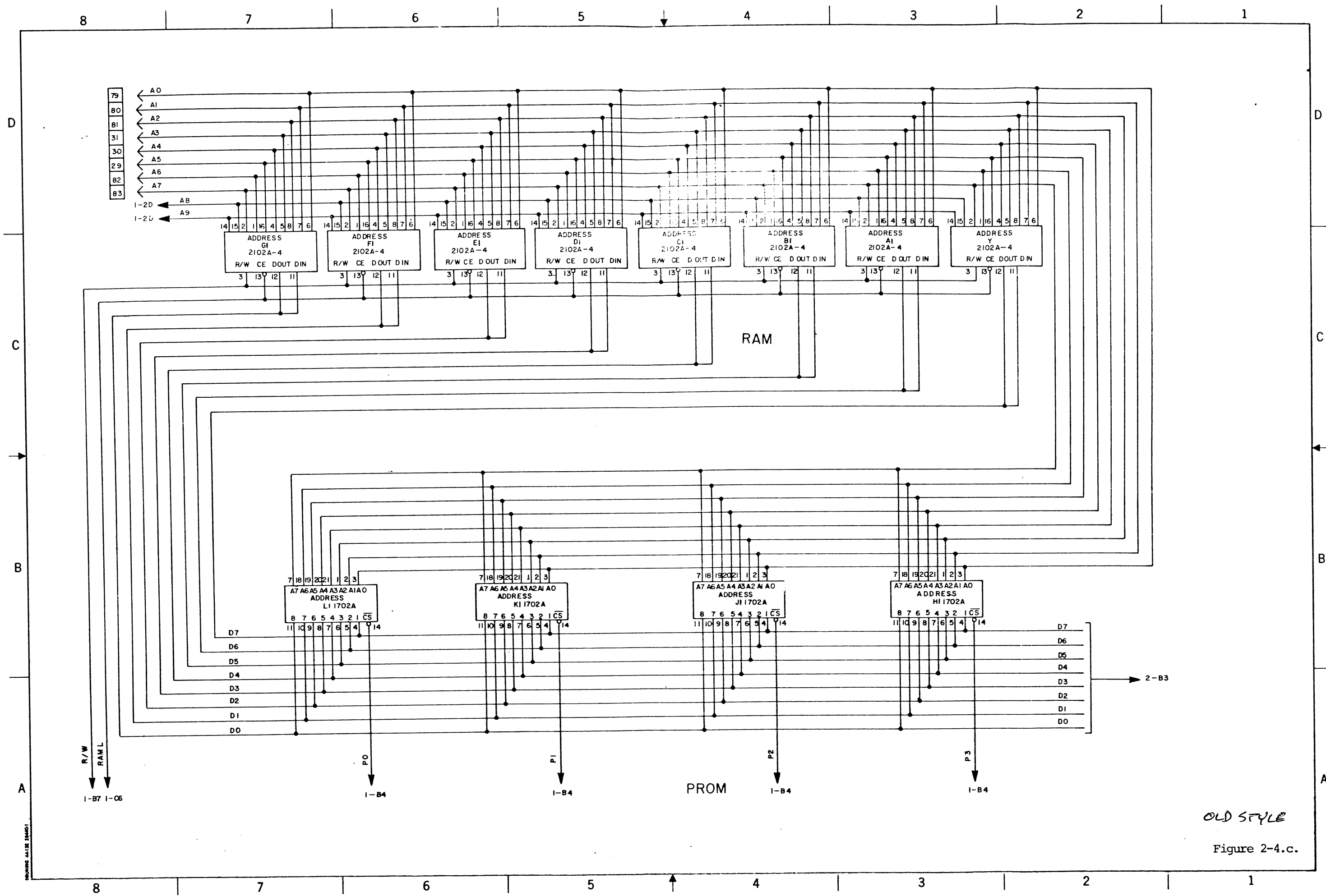
TO ICW PIN 2

4	VI0	I0
5	VI1	I1
6	VI2	I2
7	VI3	I3
8	VI4	I4
9	VI5	I5
10	VI6	I6
11	VI7	I7

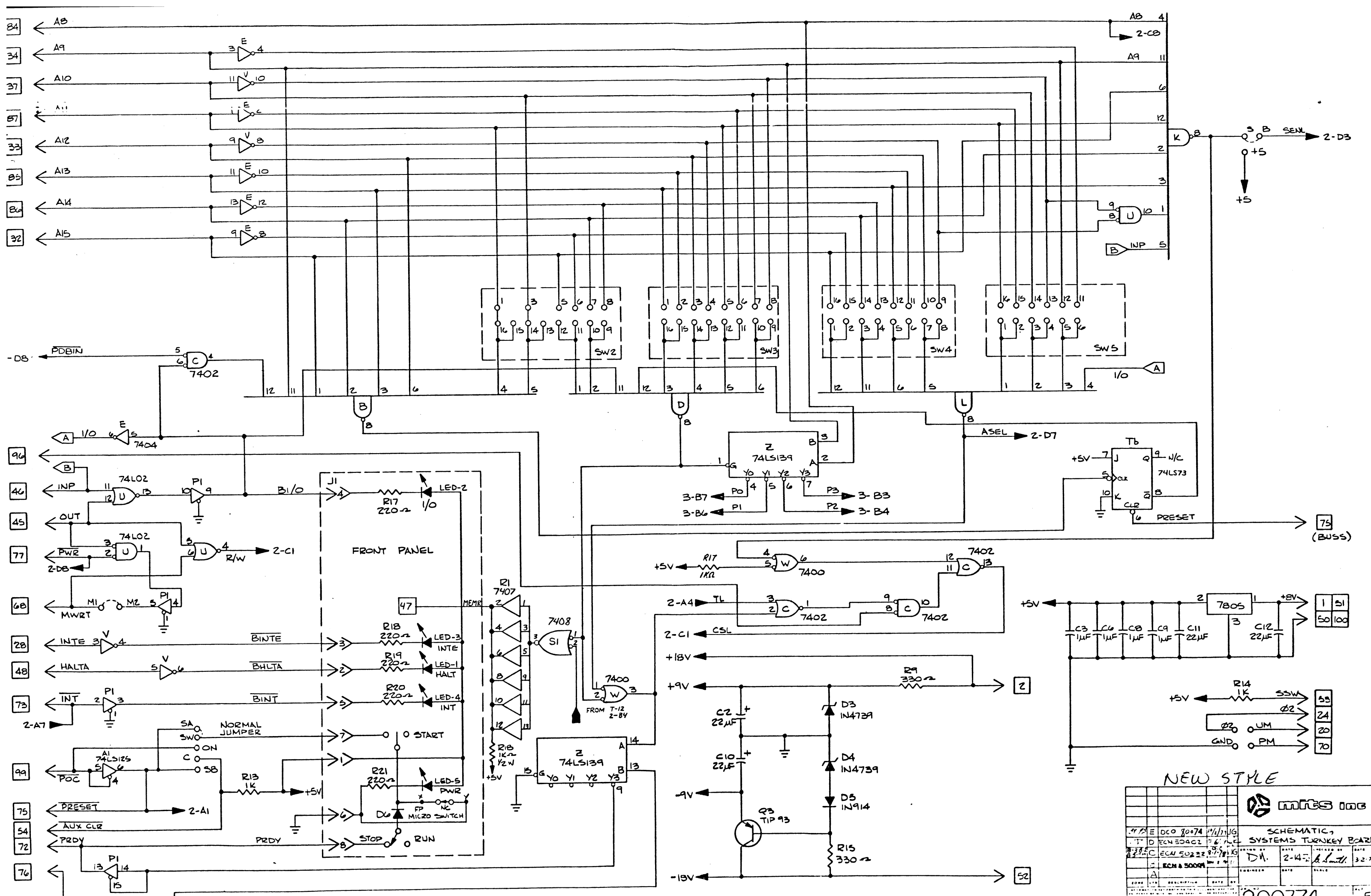
94	DI1
95	DI0
41	DI2
91	DI4
35	DI0
36	DI1
88	DI2
38	DI3

92	DI5
42	DI3
93	DI6
43	DI7
39	DI1
89	DI2
40	DI3
90	DI4

DRAWING 44-13 2840-1



OLD STYLE
Figure 2-4.c.

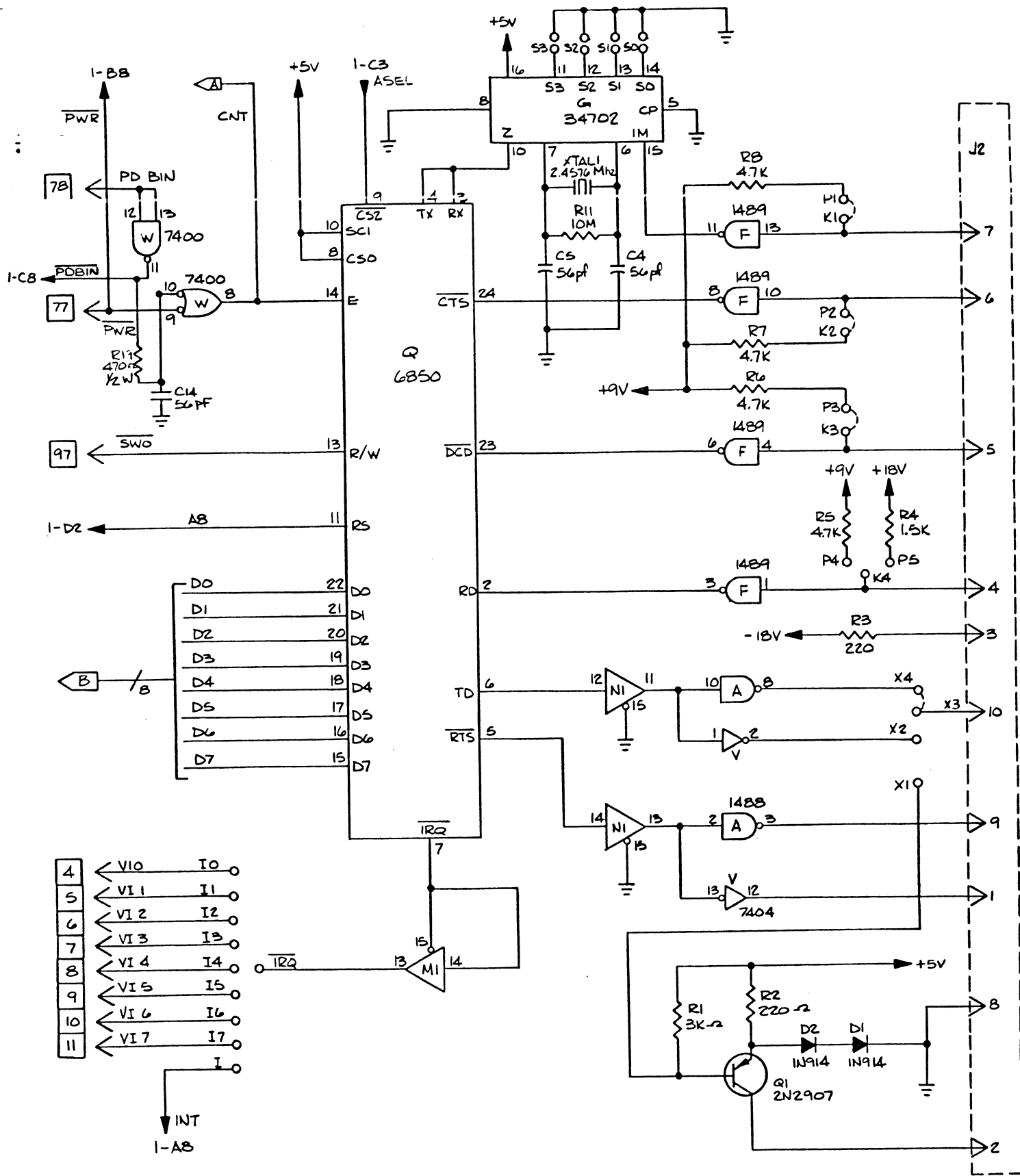


NEW STYLE

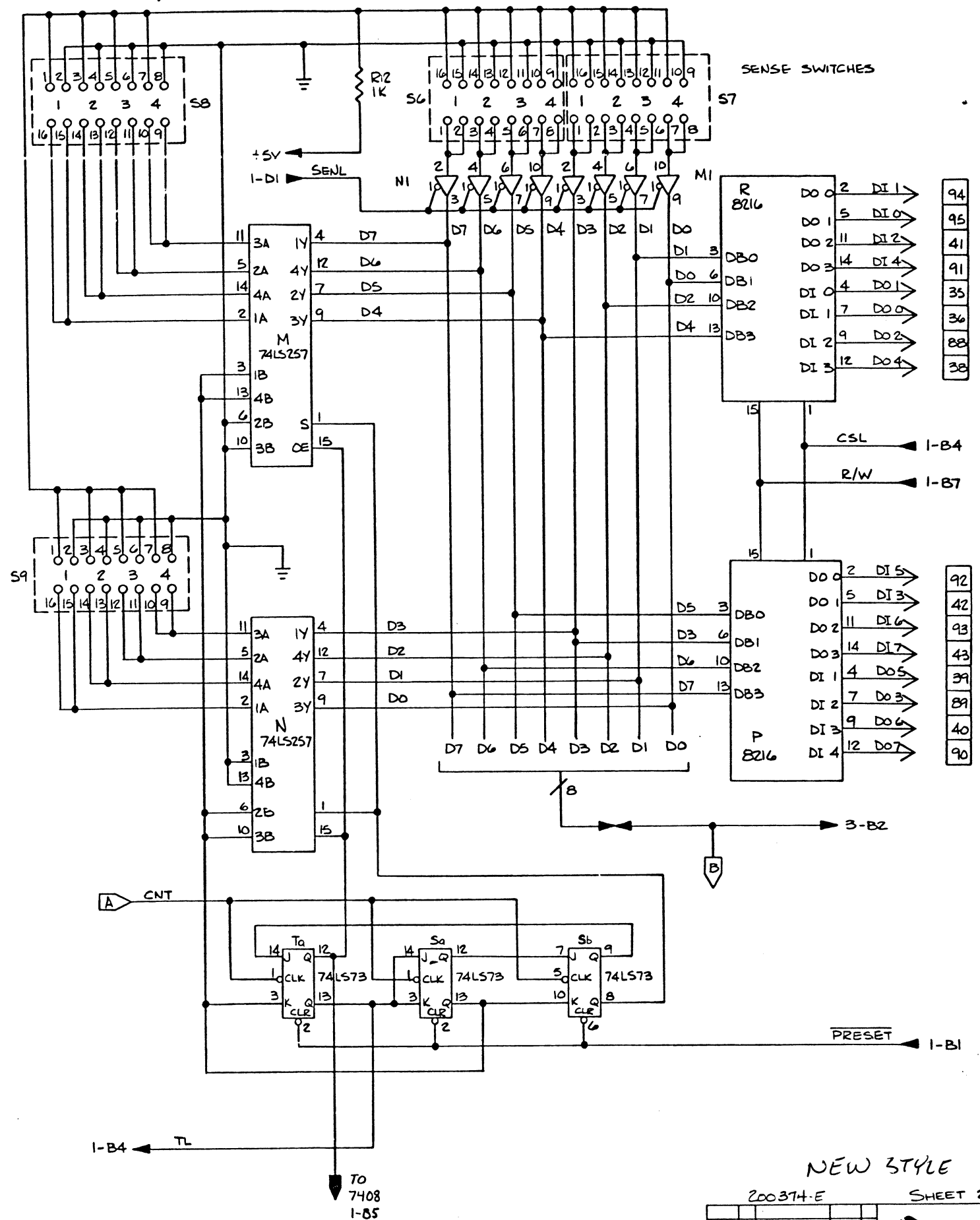
DCO 8007A		1/1/71		1/1/71	
ECN 50402		1/1/71		1/1/71	
ECN 50222		1/1/71		1/1/71	
ECN 50004		1/1/71		1/1/71	

SCHEMATIC, SYSTEMS TURNKEY BOARD

DATE	2-14-71	BY	A.L.M.	DATE	3-2-71
DESIGNED BY		CHECKED BY		DATE	



SERIAL I/O



AUTOSTART

NEW STYLE

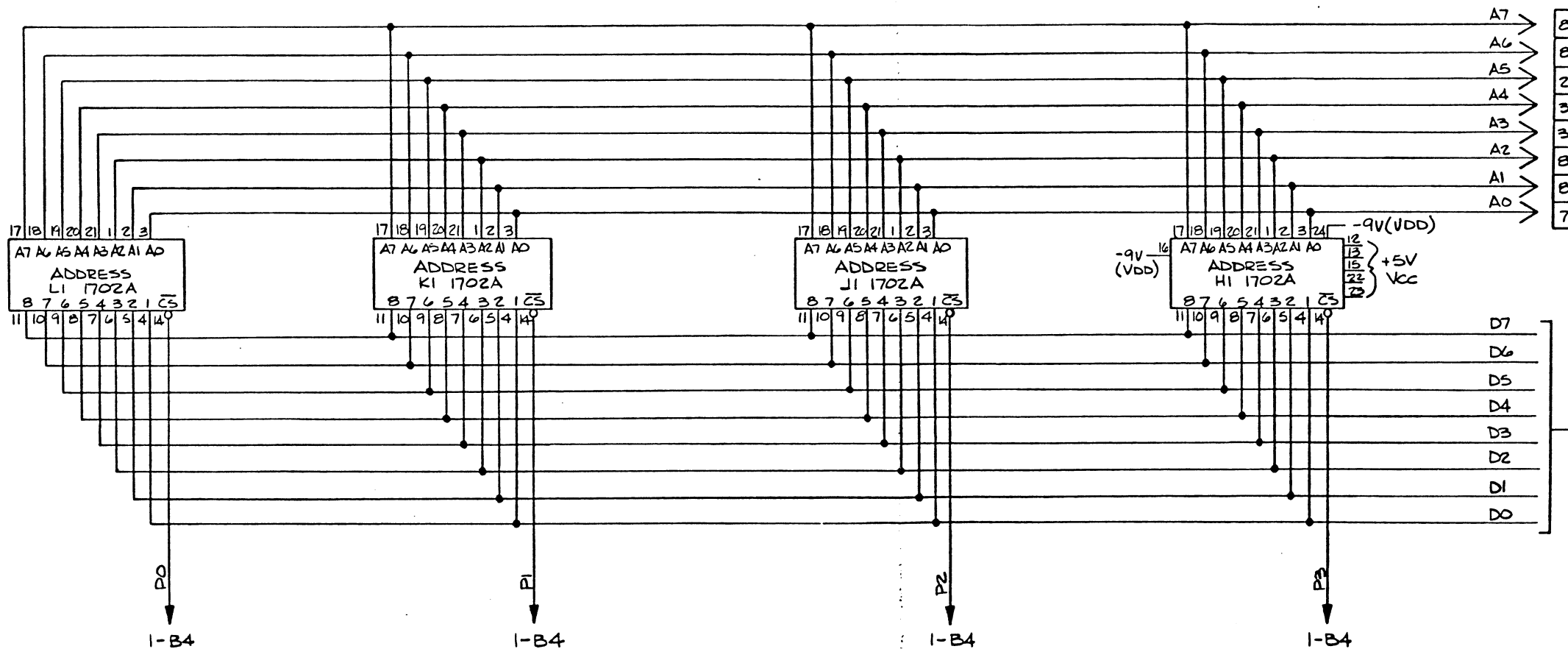
200374-E SHEET 2 OF 3

E D10 80074 10/4/76		SHEETS		DATE	
D ECN 50402 9/7/76		DRAWN BY		DATE	
C ECN 50232 9-7-76		CHECKED BY		DATE	
B ECN 85009 9-7-76		D.M.		2-16-78	



SYSTEMS TURNKEY BOARD

3-2



PROM

POWER CONNECTIONS				
REF DES	PART #	GND PIN	VCC PIN	# OF PINS
L1, K1, J1, H1	1702A	—	12, 22, 23	24
B, V	7404	7	14	14
U, C	7402	7	14	14
A1	74LS125	7	14	14
Z	74LS139	8	16	16
W	7400	7	14	14
R1	7407	7	14	14
T, S	74LS73	11	4	14
B, D, L, K	74LS30	7	14	14
P1, N1, M1	74367	8	16	16
F	1489	7	14	14
Q	6880	1	12	24
M, N	74LS257	8	16	16
R, P	8216	8	16	16
S1	7408	7	14	14
A	1488	7	14	14

mrs inc
NEW STYLE

SCHMATIC,
SYSTEMS TURNKEY BOARD

DATE: 2-15-78
DRAWN BY: J.M.
CHECKED BY: B. Smith
DATE: 3-2-78

20037A 3 of 3 E

D
C
B
A