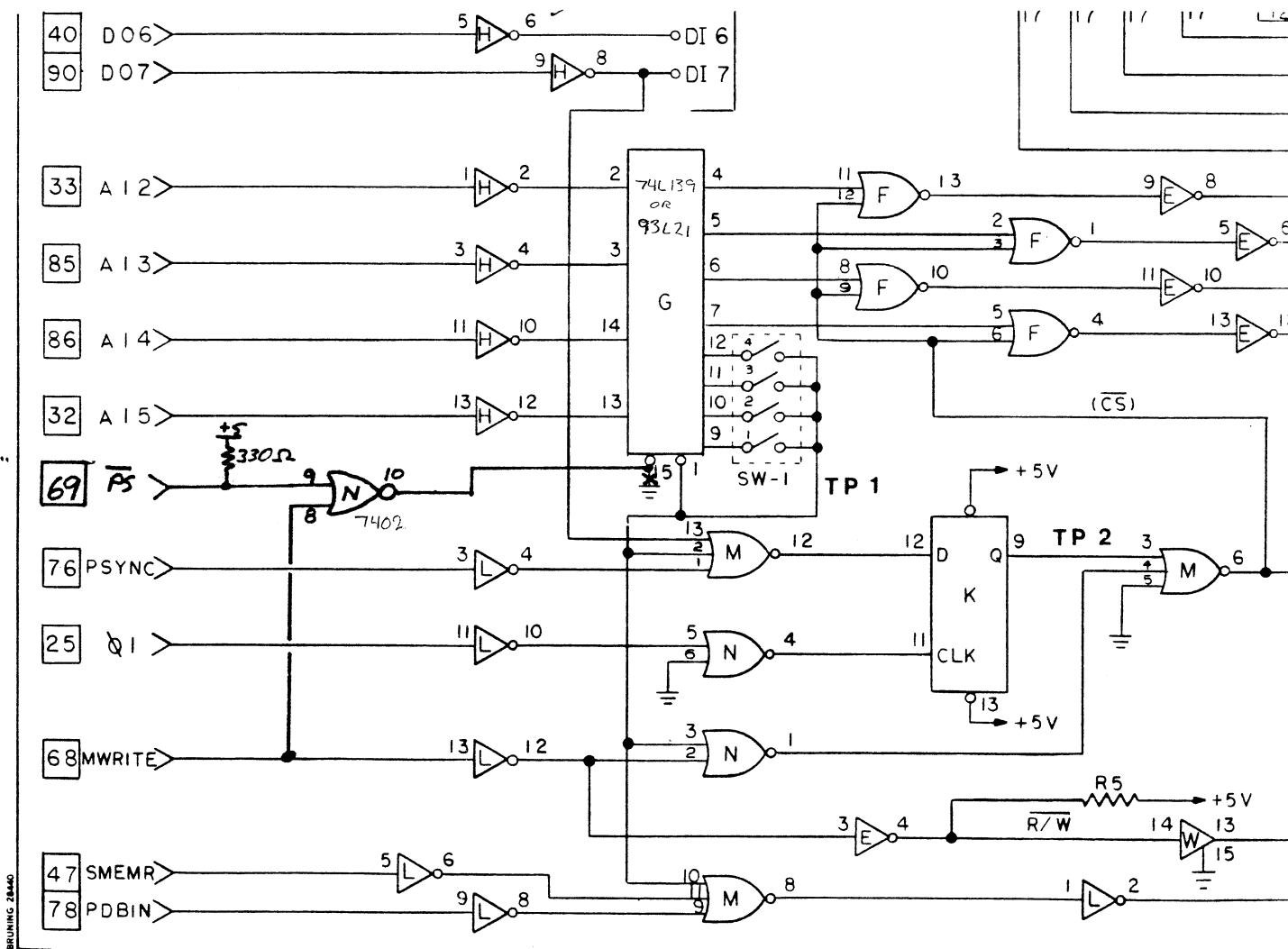


16 MCS MOD For 64K (62K) Operation with 2K Prom Board

- 1) Cut land going from Pin 15 of ICG (U3) to ground.
- 2) Jumper from pin 69 of buss (\overline{PS}) to pin 9 of ICN (U8)
- 3) Jumper from pin 8 of ICN (U8) to Pin 13 of ICL (U6)
- 4) Jumper from pin 10 of ICN (U8) to pin 15 of ICG (U3)
- 5) Jumper from V_{CC} (+5V) to 330 ohm resistor and from opposite side of the 330 ohm resistor to pin 9 of ICN (U8) (PREVIOUSLY INSTALLED COMPAN IS ALREADY IN PLACE)

SHEPARD



16 MCS MOD For 64K (62K) Operation with 2K Prom Board

- 1) Cut land going from Pin 15 of ICG. (U3) to ground.
- 2) Jumper from pin 69 of buss (\overline{PS}) to pin 9 of ICN (U8)
- 3) Jumper from pin 8 of ICN (U8) to Pin 13 of ICL (U6)
- 4) Jumper from pin 10 of ICN (U8) to pin 15 of ICG (U3)
- 5) Jumper from V_{CC} (+5V) to 330 ohm resistor and from opposite side of the 330 ohm resistor to pin 9 of ICN (U8)

*When 2K PROM BOARD PULLS BUSS **69** LOW, ICG IS DISABLED (DURING BASIC INITIALIZATION)*

