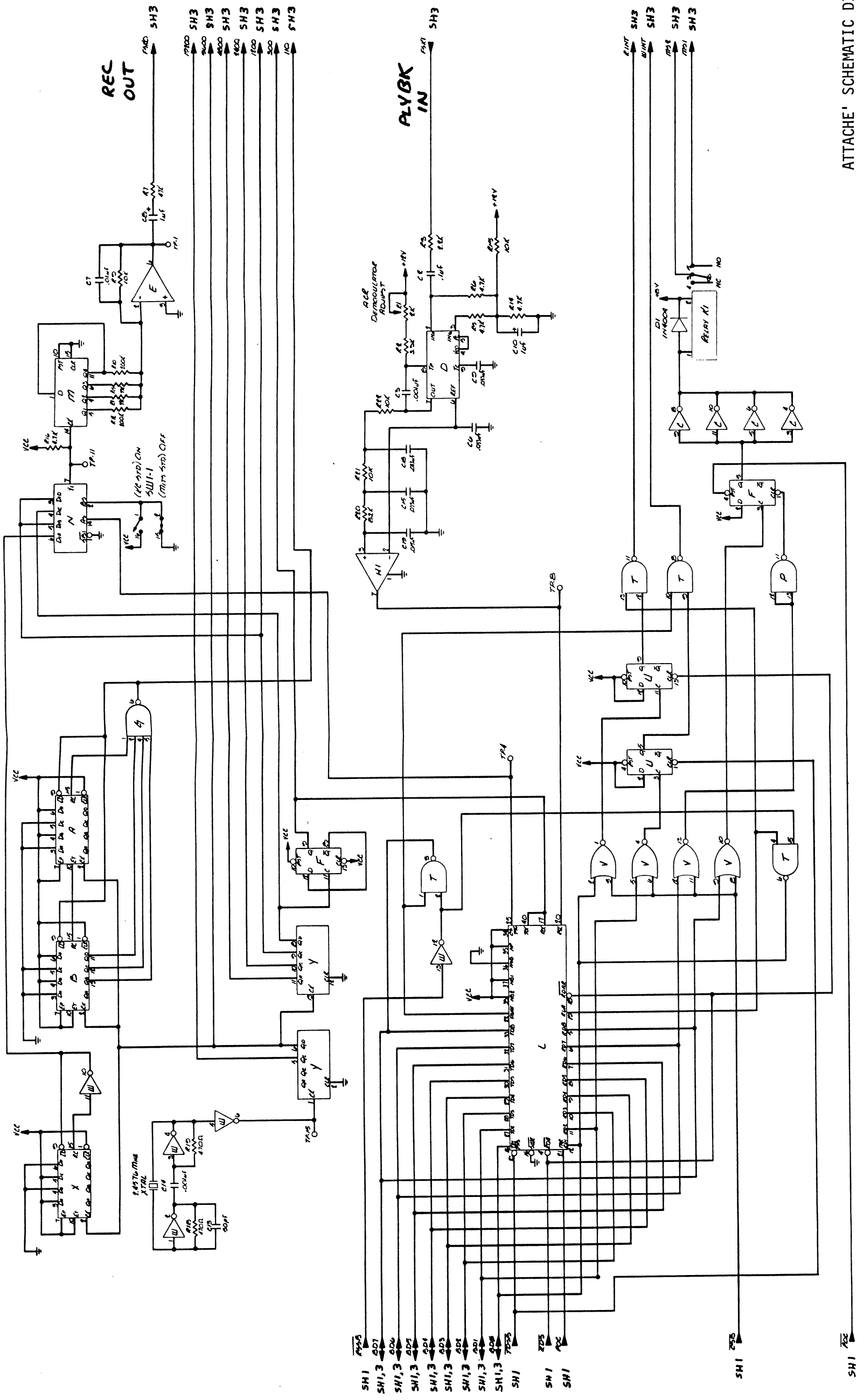
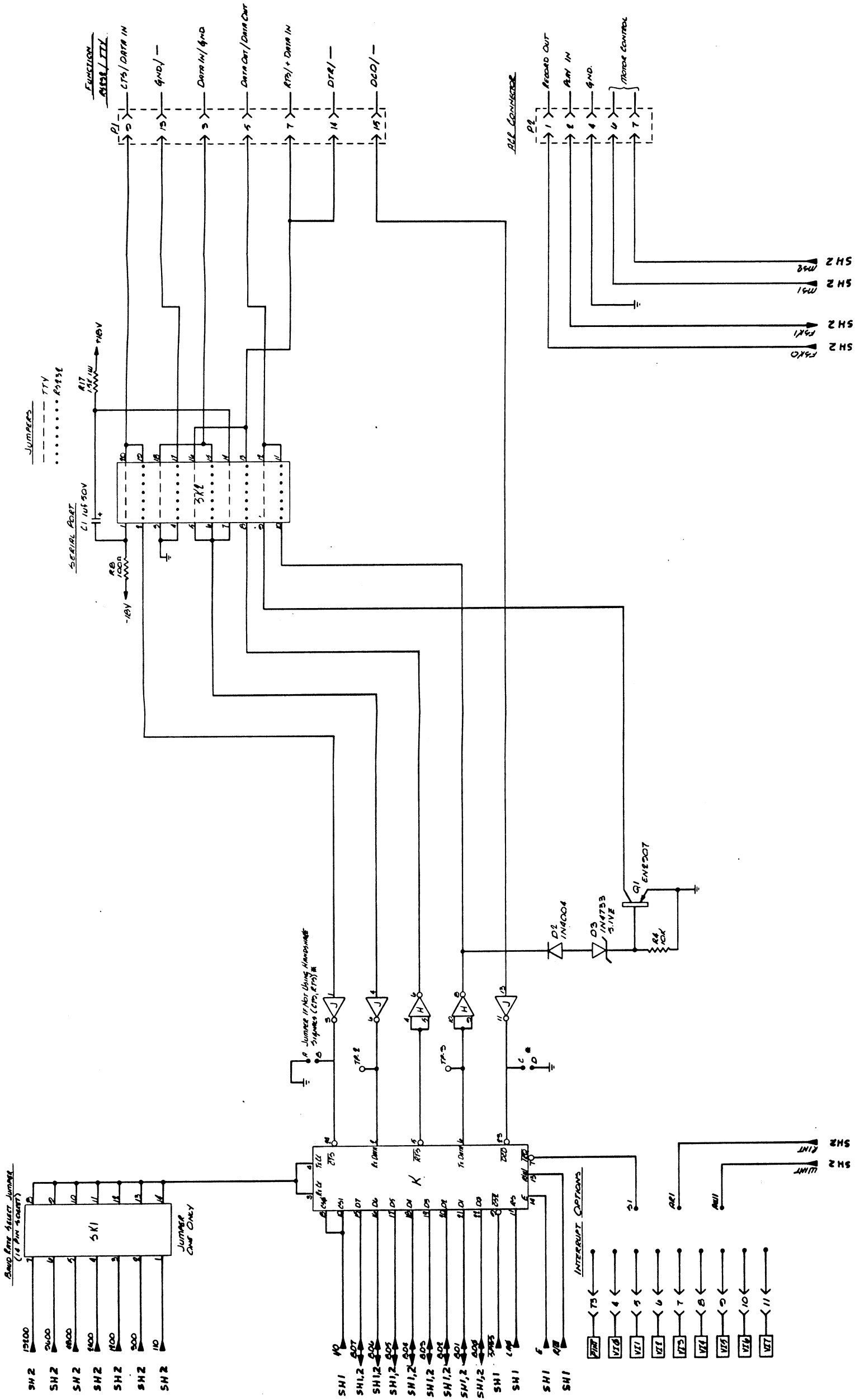


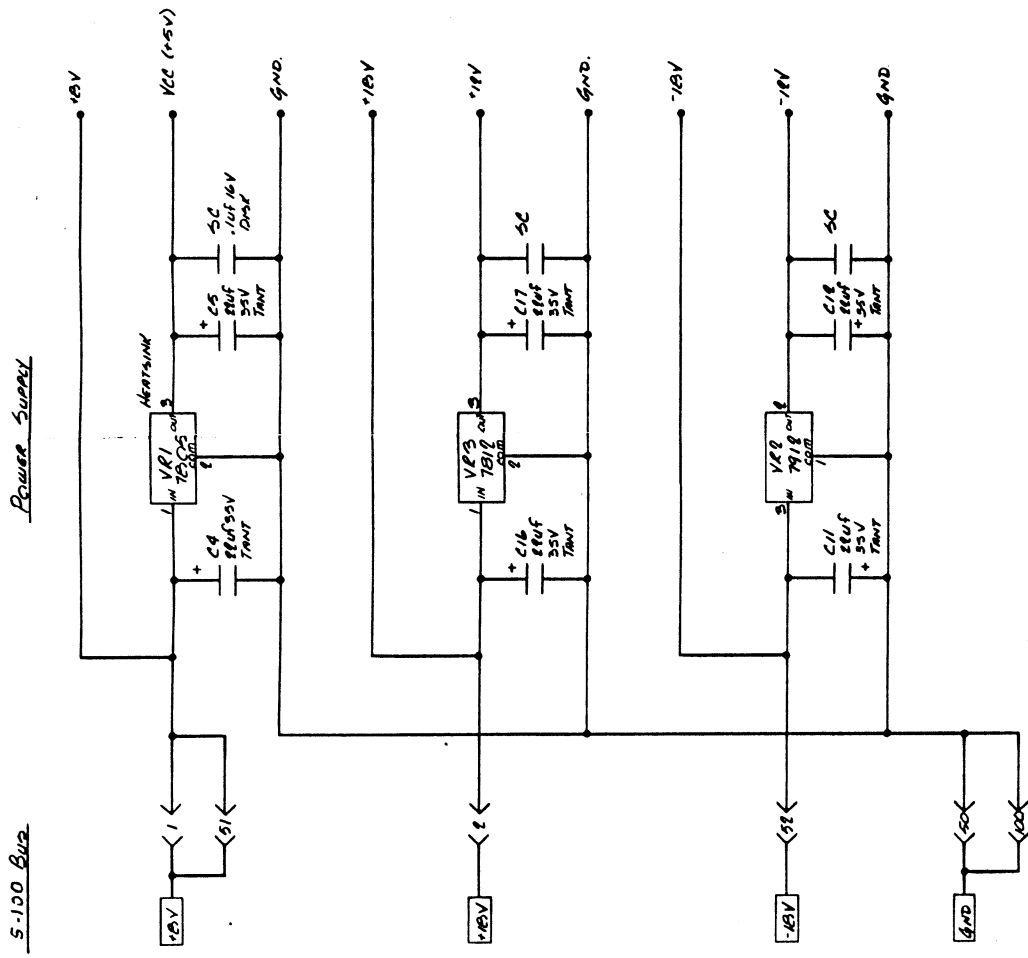
I.C. CHART							
I.C.	TYPE	VCC	GND	No. of Pins	Pin No.	Pin No.	
A, B, X	74LS161	16	8	16	16	16	
C	74LS06	14	7	14	14	10	
D	LM555P		1	14	14	10	
E	LM741			8	8	7	4
F, U	74LS74	14	7	14	14		
G	74LS80	14	7	14	14		
H	74LS14		7	14	14	14	1
J	74LS09	14	7	14	14		
K	74LS00	14	1	14	14		
L	74LS103	1	3	40			2
M	74LS165	16	8	16	16		
N	74LS155	16	8	16	16		
P, R1	74LS00	14	7	14	14		
Q, R	74LS90	14	7	14	14		
S	74LS138	16	8	16	16		
T	74LS28	14	7	14	14		
V, D, E1	74LS08	14	7	14	14		
W	74LS04	14	7	14	14		
Y	74LS90	14	7	14	14		
Z	74LS107	14	7	14	14		
D1, E1	74LS25	5	12	16	16		
F1, G1	74LS24	8	10	16	16		
H1	LM311		4	8	8		



ATTACHE' SCHEMATIC DIAGRAMS
 88-U10 BOARD (Sheet 2 of 4)
 CLOCK & ACR CIRCUIT



ATTACHE' SCHEMATIC DIAGRAMS
 88-UIO BOARD (Sheet 3 of 4)
 SERIAL & PARALLEL CONNECTIONS
 B-12



ATTACHE' SCHEMATIC DIAGRAMS
 88-UIO BOARD (Sheet 4 of 4)
 VOLTAGE REGULATION