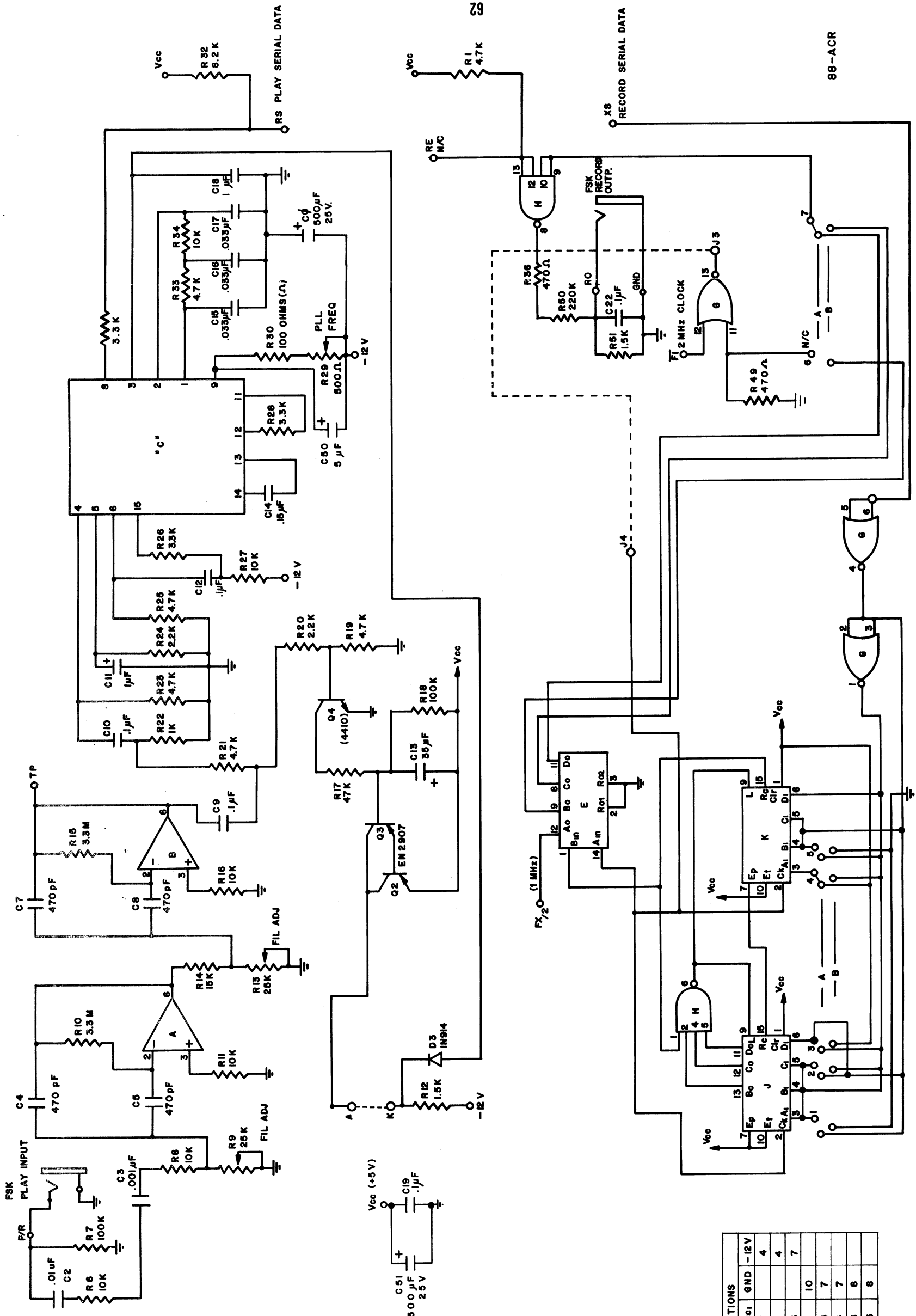


10

SERIAL I/O SCHEMATIC





IC	TYPE	Vcc1	GND	-12V
A	741	7	4	4
B	741	7	4	4
C	XR 210	16	10	7
E	7493	5	10	7
G	7402	14	7	7
H	7420	14	7	7
J	9316	16	8	8
K	9316	16	8	8