

**H/Z-100 #85-2806 MOTHERBOARD**  
 PORT DECODERS, MONITOR, TIMING, AND REGULATORS MB8-2

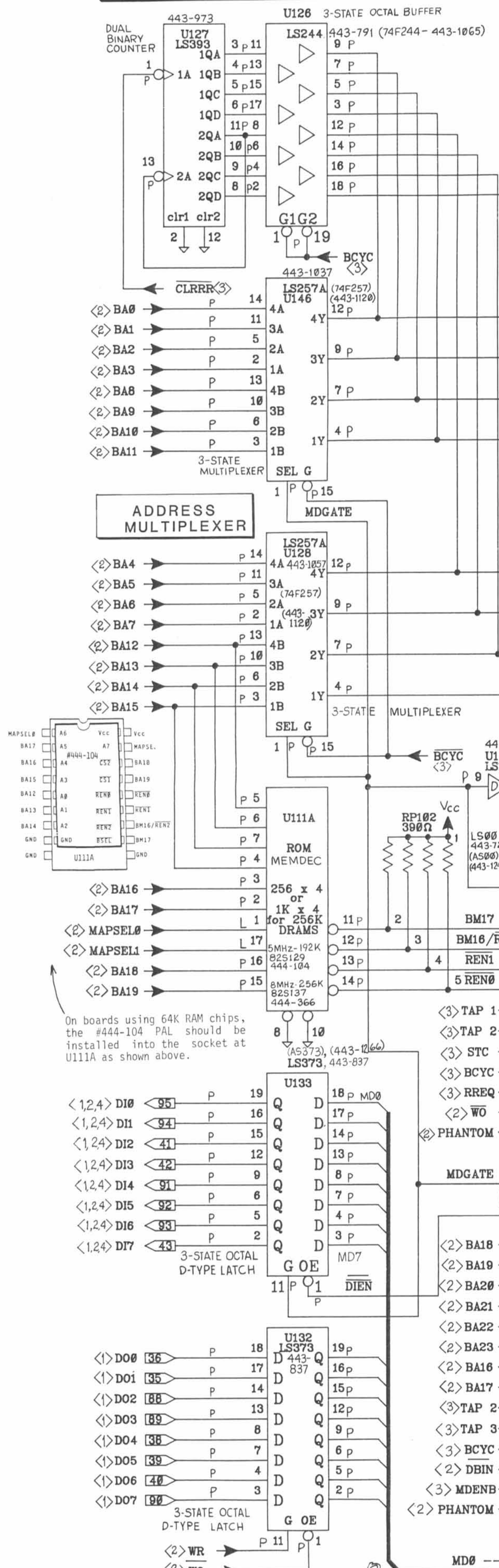
4/85 Service Publications and Training

RS-232C POWER SUPPLY  
 +8V (S100) AND +5V (Vcc) POWER SUPPLIES AND HI PULLUPS

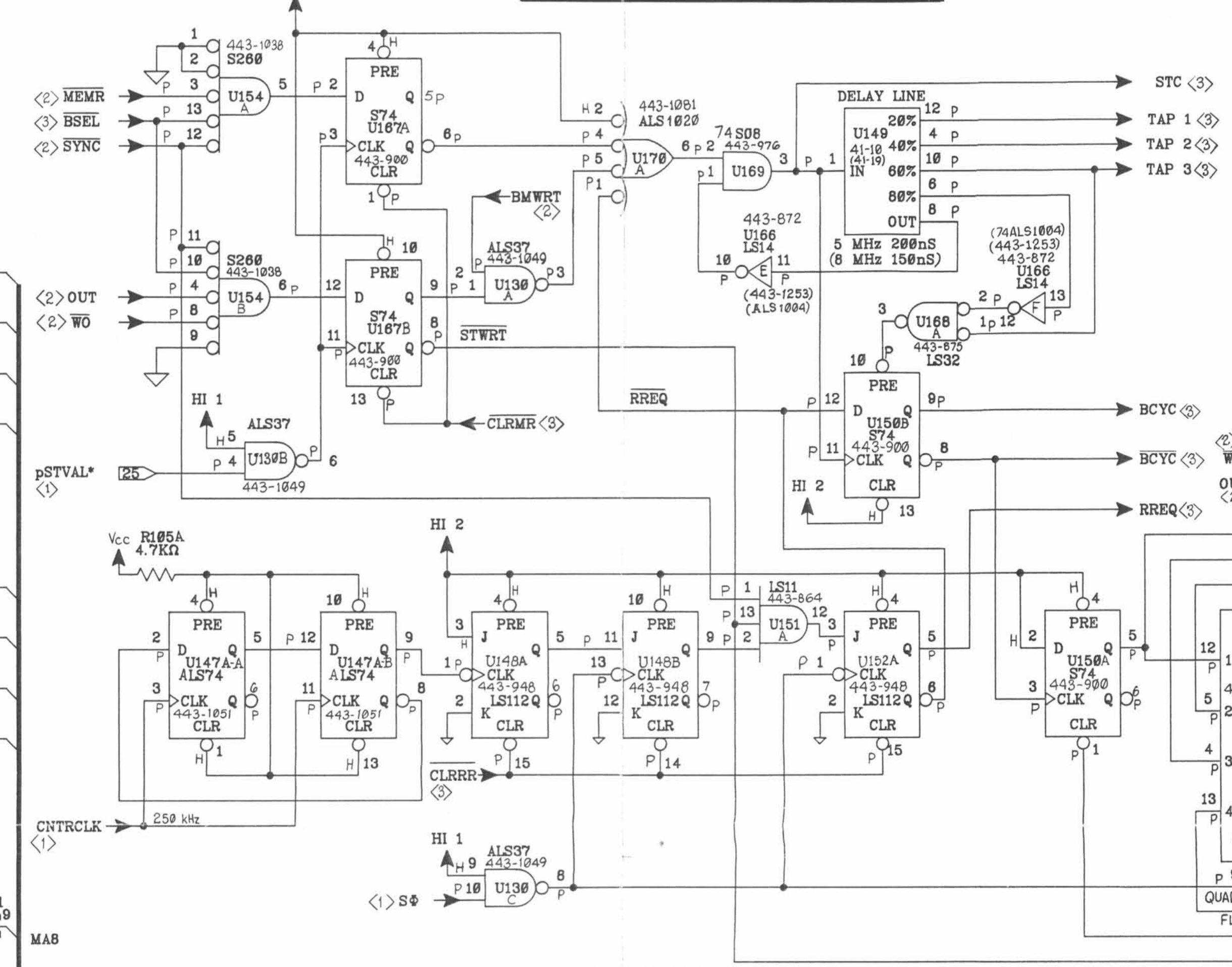
\*\* 5, 6, 7, 8, 33, 34, 39, 40, 41, 42, 47, 48, 59, 60, 77, 78, 79, 80



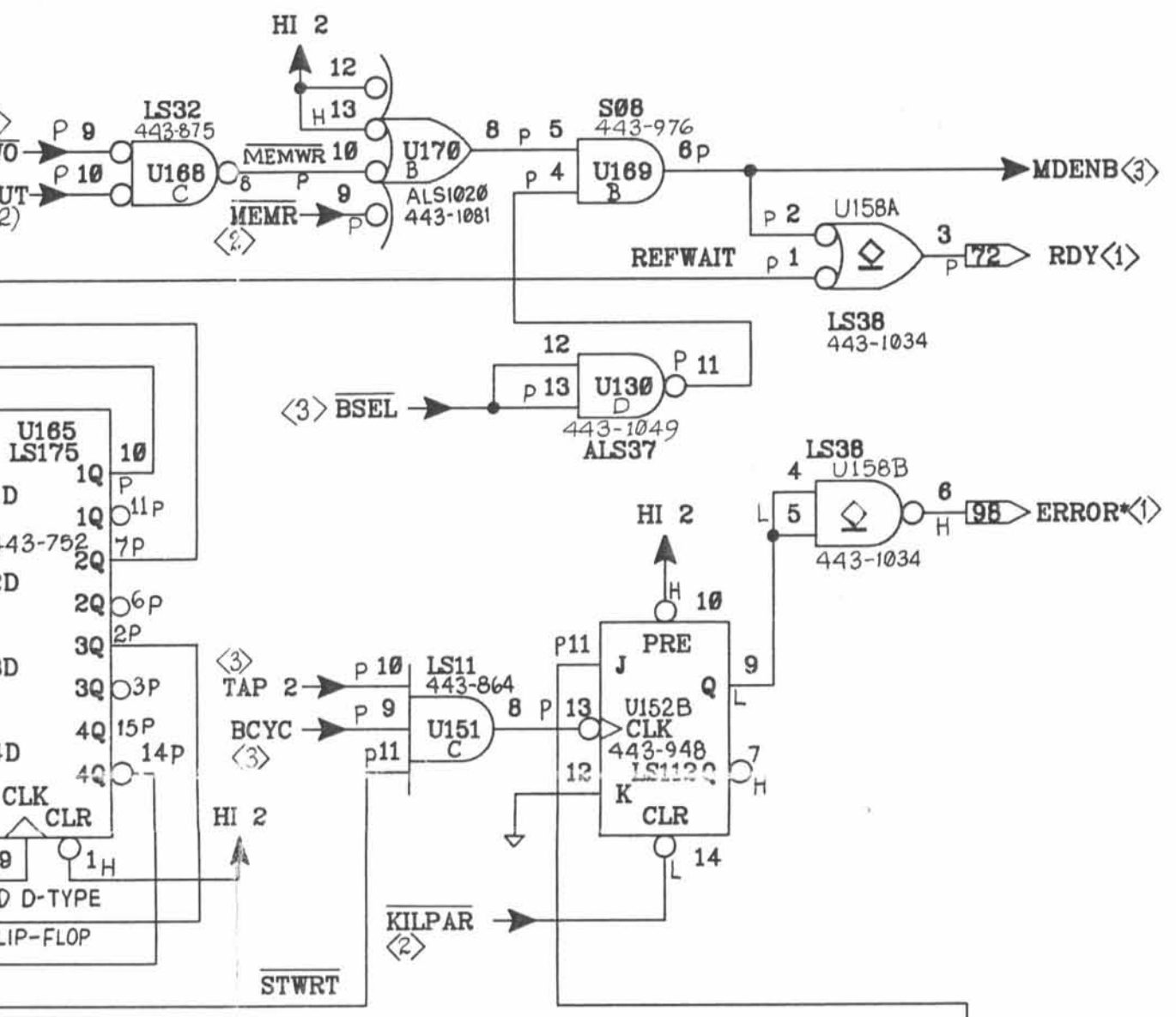
REFRESH ADDRESS GENERATOR



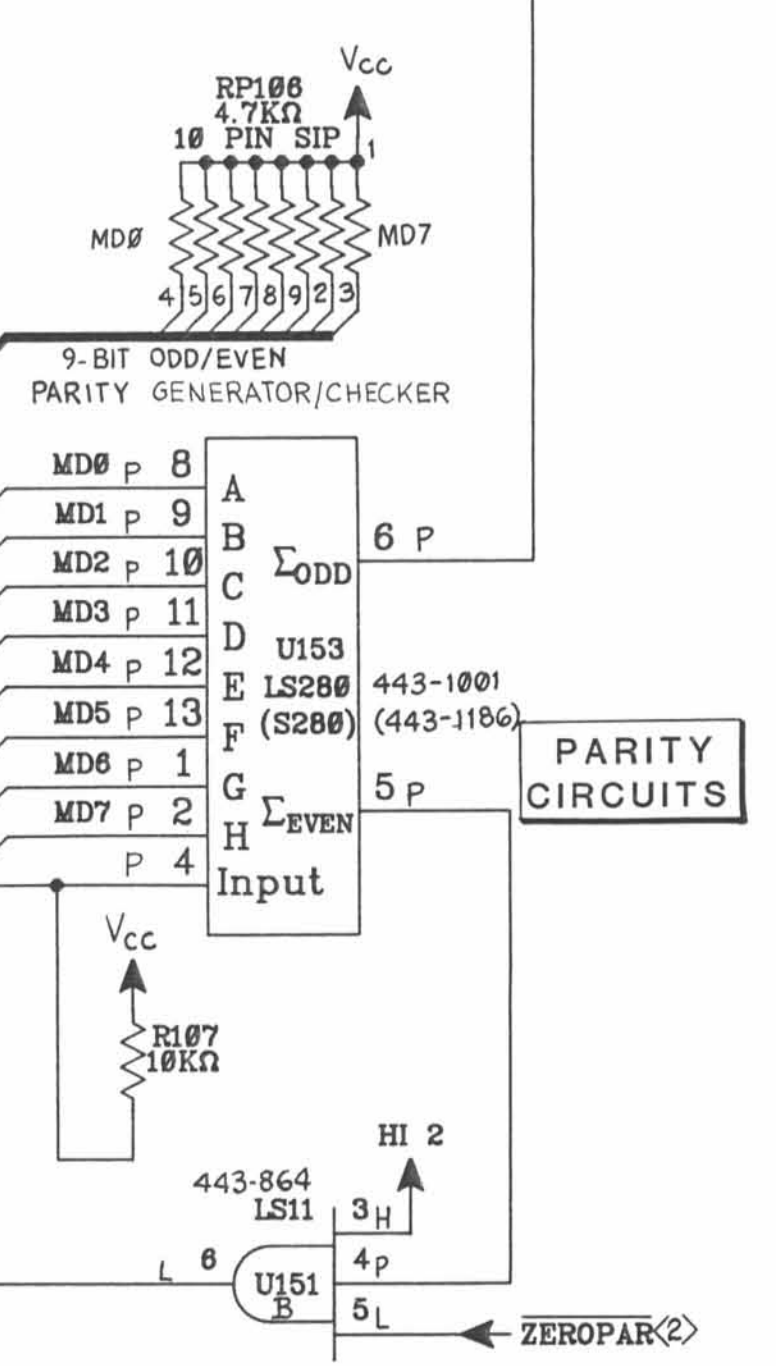
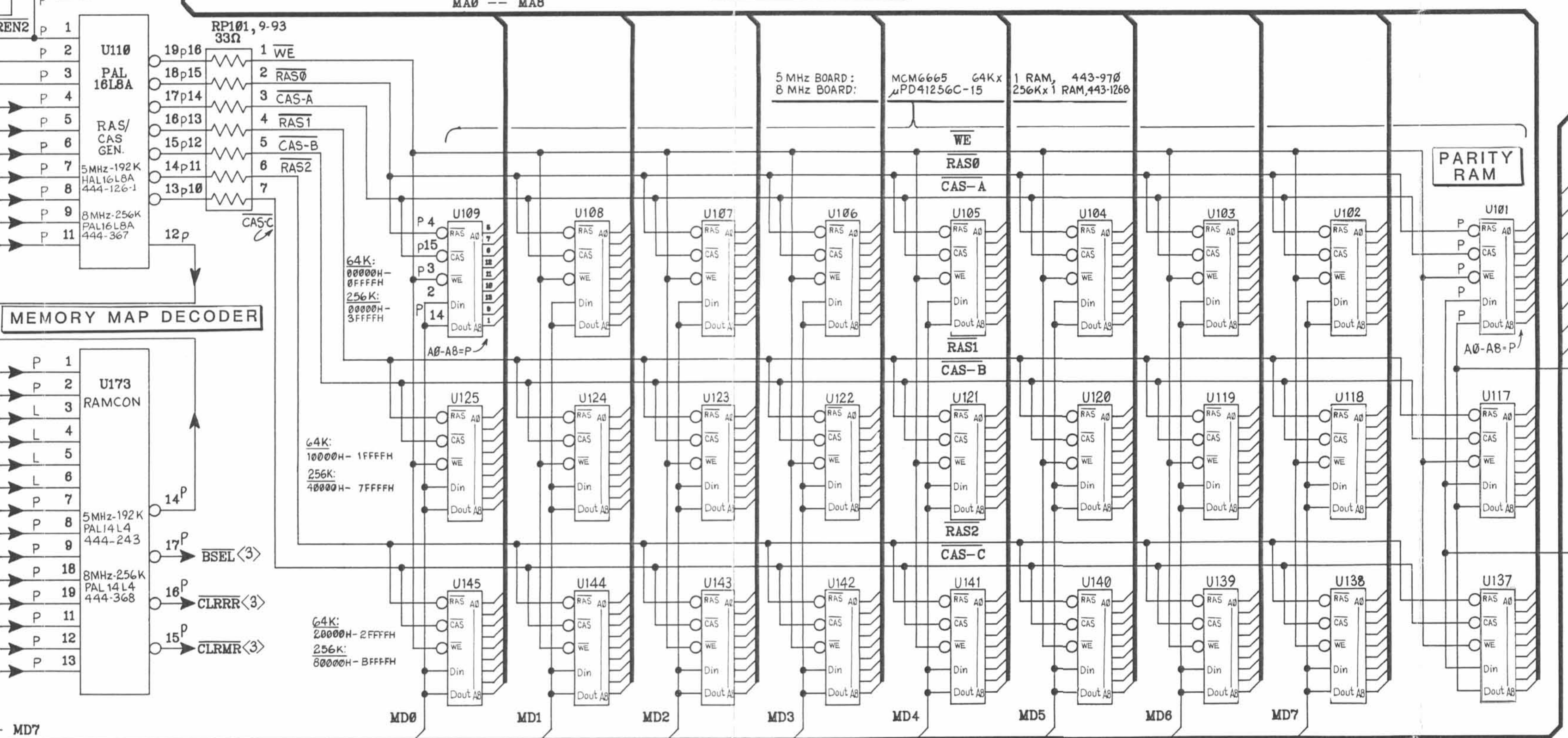
REFRESH TIMING AND ARBITRATION



REFRESH, WAIT TIMING, AND ERROR-GENERATION CIRCUITS

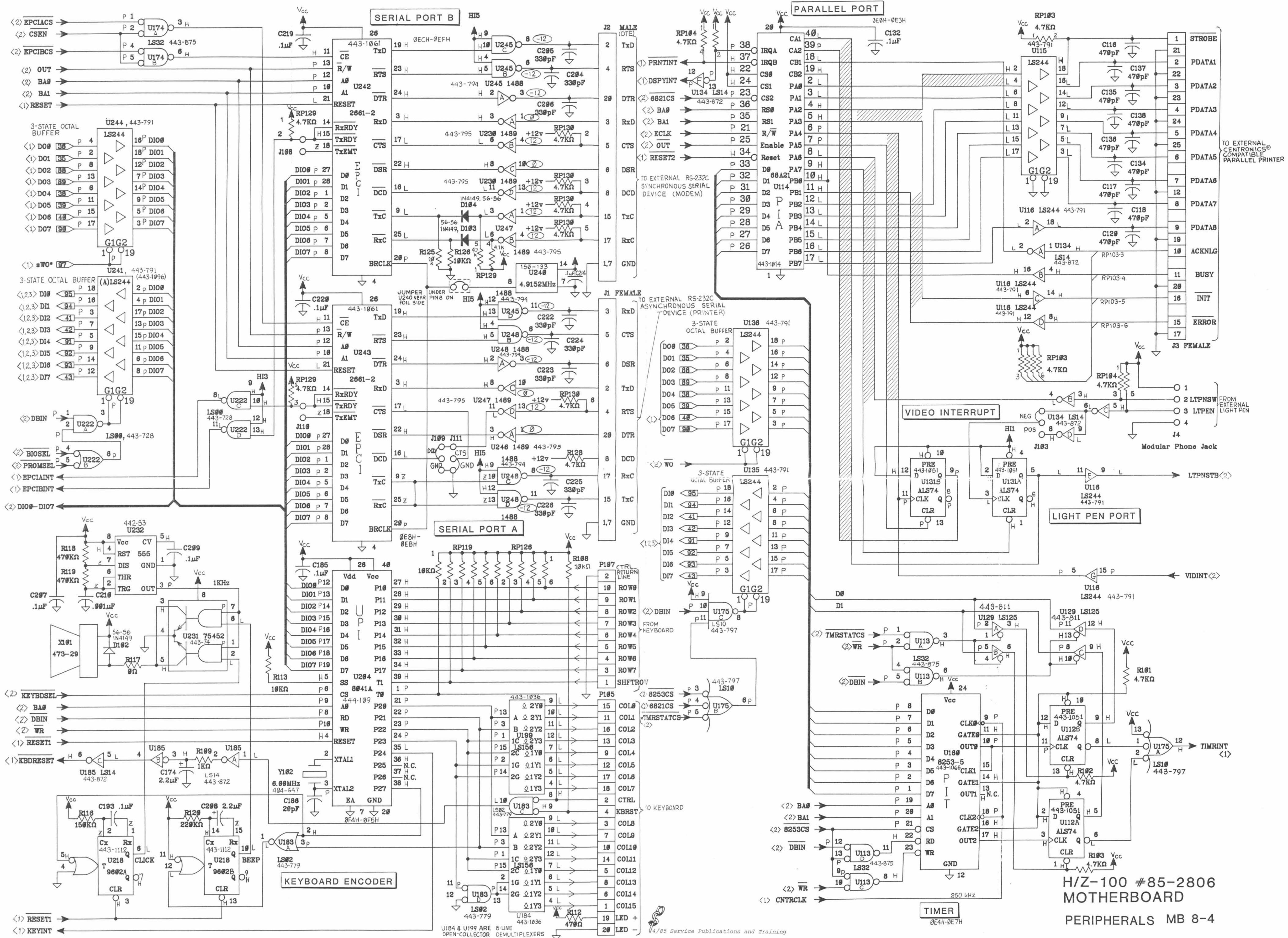


SYSTEM MEMORY



H/Z-100 #85-2806 MOTHERBOARD MEMORY SECTION MB8-3





H/Z-100 #85-2806  
MOTHERBOARD  
PERIPHERALS MB 8-4