

Cromemco

TU-ART

Digital

Interface

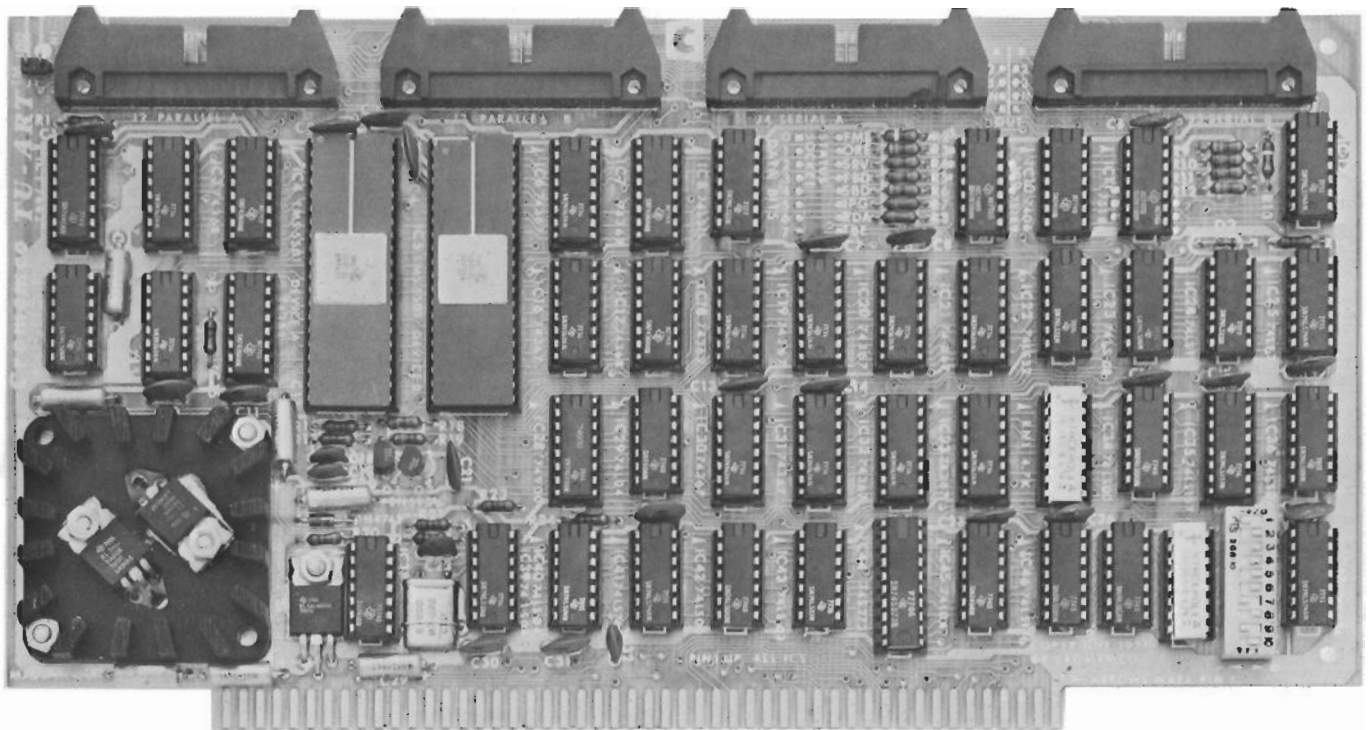
Instruction Manual

Five Dollars

Cromemco

TU-ART

Digital Interface



© Copyright 1978. All Rights Reserved.

 **Cromemco**
i n c o r p o r a t e d
Specialists in computers and peripherals
280 BERNARDO AVE., MOUNTAIN VIEW, CA

Table of Contents

INTRODUCTION	1
Definitions	1
Switch Selectable Options	1
Dip Switch Settings (Figure 1)	2
Interrupt Priority Chain	3
Status Bit Selection	3
Interface Options	4
Summary of Data And Control Port Addresses (Figure 2)	5
REGISTER DESCRIPTION	6
Status	6
Baud Rate	7
Receiver Data	7
Transmitter Data	7
Command Register	7
Interrupt Address	8
Interrupt Mask	8
Parallel Input	8
Parallel Output	8
Timers	9
Summary Of Register Formats (Figure 3)	9
INTERRUPT OPERATION	10
Operation Using Z-80 Mode Interrupts	10
Z-80 (Mode 2) Response (Table 1)	10
Operation Using 8080 Mode Interrupts	11
8080 (Mode 0) Response (Table 2)	11
CONNECTING THE TU-ART TO I/O DEVICES	13
Parallel Ports	13
Parallel Port Timing (Figure 4)	13
Block Input (Figure 5)	14
Block Output (Figure 6)	15
J2 Parallel A (Table 3)	16
J3 Parallel B (Table 4)	17
Serial Ports	18
J4 Serial A (Table 5)	18
J5 Serial B (Table 6)	19
Cable Connection (Figure 7)	20
Terminal to TU-ART Cable (Figure 8)	21
Originate Mode Modification	22
Spare RS232 Drivers And Receivers	22
PROGRAMMING EXAMPLES	23
1-Second Metronome	23
Initialization Subroutine	24
Character Output Subroutine	25
Character Input Subroutine	25
"Echo" Program	26

Table of Contents

TU-ART KIT ASSEMBLY INFORMATION.....	27
PARTS LIST.....	27
PARTS LOCATION DIAGRAM.....	29
THEORY OF OPERATION.....	30
Introduction.....	30
Power Supply.....	30
Crystal Controlled Clock.....	30
Clock Waveforms (Figure 9).....	31
Address Select.....	32
Function Decode.....	32
State Sequencer.....	32
Status Strobe.....	32
State Sequencer Timing (Figure 10).....	33
Bus Multiplexers.....	34
Serial Interface.....	34
Parallel Interface.....	34
Priority Chain.....	34
Bus Signal Flow (Figure 11).....	35
APPLICATION NOTES.....	36
OAE OP-80A Paper Tape Reader.....	36
4FDC Compatibility.....	36
ASCII CHARACTER CODES.....	37
WARRANTY.....	38
"Schematic Diagram Included"	

Introduction

The Cromemco TU-ART (Twin Universal Asynchronous Receiver and Transmitter) provides two channels of duplex serial data exchange; two channels of parallel data exchange; and ten interval timers. Status information is available through polling or by interrupt. In addition, each interval timer activates

an interrupt and two interrupt request lines are brought out for the user. The TU-ART has its own crystal-controlled clock and interfaces to the S-100 bus asynchronously so that CPU clock frequency is not critical. The TU-ART incorporates two TMS 5501 Nmos I/O Controller chips.

Definitions

Throughout this manual the two TMS 5501 chips will be referred to as "Device A" and "Device B." Device A (IC 4) is the leftmost chip. Device B (IC 5) is the rightmost chip. Device A is nearer the heat

sink and drives serial connector J4 and parallel connector J2. Device B is located to the right of Device A and drives serial connector J5 and parallel connector J3.

Switch Selectable Options

Device A Address

The base address of the ports associated with Device A is set with positions 6-3 of the DIP switch which determine the A7, A6, A5, and A4 of the I/O address. Setting a switch "on" conditions the TU-ART to respond to a "0" in that address bit. Bits A7, A6, and A5 also control D7, D6, and D5 of the TU-ART's Z-80 mode 2 Interrupt Acknowledge Response vector. Address bits A3, A2, A1, and A0 are decoded to select which control or data port is being accessed (see Figure 2).

Device B Address

The base address of the ports associated with Device B is set with positions 10-7 of the DIP switch

which determine the A7, A6, A5, and A4 of the I/O address. Setting a switch "on" conditions the TU-ART to respond to a "0" in that address bit.

Interrupt Mode

When this switch (position 1) is on, the TU-ART operates in the 8080 interrupt mode: one of eight "Restart" instructions is gated to the data bus during an Interrupt Acknowledge cycle. Since the TU-ART can interrupt from one of 16 different sources, it is necessary to poll the devices if the TU-ART is in 8080 mode (see "Operation Using 8080 Mode Interrupts").

When switch position 1 is off, the TU-ART responds in Z-80 mode 2. In this mode, the TU-ART supplies a byte to the data bus during Interrupt Acknowledge

that is used as the lower eight bits of a memory address. The Z-80 supplies the upper eight bits from the I register and automatically reads the corresponding memory location, as well as the next location, to find the starting location of an interrupt routine. (Refer to "Operation Using Z-80 Interrupts" and/or the Z-80 CPU Reference manual for details.)

Normal/Reverse Address

When this switch (position 2) is on, it allows Device A and Device B to swap base addresses by means of an output to one of the parallel ports (Software Address-Reverse). This allows either Device A or Device B to be driven by a software driver whose port assignments are frozen in memory. Setting the switch "on" connects the msb of Device A's parallel output port to the Reverse Address control so that addresses

may be flipped under software control. To flip addresses, output a byte with D7 high to Device A's parallel output port. To return to normal addressing, output a byte with D7 low to Device B's parallel output port. When switch position 2 is off, the Address Reverse switch is disconnected from the parallel port.

The Address Reverse signal is brought out to pin 1 of J2 and J3. When the Address Reverse switch is on, pin 1 will show the state of the TU-ART:

- Pin 1 = 0 means Reverse Mode,
- Pin 1 = 1 means Normal Mode.

When the Address Reverse switch is off, pin 1 of J2 or J3 may be grounded externally to place the TU-ART in reverse Mode (Hardware Address-Reverse). Do not ground pin 1 of J2 or J3 while the Reverse Address switch is on as this will conflict with operation of Device A's parallel port.

Figure 1 Dip Switch Settings

Switch	Off	On
1	IM2 (Z-80 Interrupts)	IM0 (8080 Interrupts)
2	Hardware Address-Reverse	Software Address-Reverse
3	A4 = 1, Device A	A4 = 0, Device A
4	A5 = 1, Device A	A5 = 0, Device A
5	A6 = 1, Device A	A6 = 0, Device A
6	A7 = 1, Device A	A7 = 0, Device A
7	A4 = 1, Device B	A4 = 0, Device B
8	A5 = 1, Device B	A5 = 0, Device B
9	A6 = 1, Device B	A6 = 0, Device B
10	A7 = 1, Device B	A7 = 0, Device B

Caution: Base addresses 00, 30H, 40H and 50H are already used by Cromemco's 4FDC floppy disc controller, bank-selectable memory, and the PRI printer interface, respectively.

Interrupt Priority Chain

When more than one TU-ART is used in a system, it is necessary to coordinate the Interrupt Responses in order to prevent bus conflict during Interrupt Acknowledge cycles. This is done by first connecting J1 PRIORITY $\overline{\text{OUT}}$ from the highest priority TU-ART to J1 PRIORITY $\overline{\text{IN}}$ of the next highest priority TU-

ART, then connecting J1 PRIORITY $\overline{\text{OUT}}$ of the second TU-ART to J1 PRIORITY $\overline{\text{IN}}$ of the next TU-ART, and so on until all TU-ARTs are connected. The J1 PRIORITY $\overline{\text{IN}}$ pin of the highest priority board is left unconnected. Device A is internally prioritized over Device B on each TU-ART.

Status Bit Selection

The connection of status flag bits to data bits is done on the PC board at the location of the status socket below J3. Cromemco software conventions assign D6=Receiver Data Available (RDA), and D7=Transmitter Buffer Empty (TBE). For specialized assignments (like more than one bit per flag) see the following "Status Socket" section.

Status Socket

The status flag bits available on input port \emptyset are connected to the data bits by foil traces in the "status" socket located between IC's 8 and 9.

The flag assignment used by all Cromemco software is discussed in the section entitled "Register Description."

If necessary, the flags may be assigned to different data bits. This may be most easily done as follows:

1. Notice that the flags are arranged along the left row of pads and that the data bits are arranged along the right side row of pads. Note also that **only** those 8 traces connecting the right and left pads are **not** covered by the solder mask. There are 5 traces which pass through this area which are covered.

2. Use a razor blade or similarly sharp knife to cut **all 8** of the traces connecting the left and right rows of pads. Be very careful not to cut the traces which are covered by the solder mask.
3. Install and solder a 16 pin IC socket in the 2 rows of pads.
4. Install a 16 pin "component header" in the socket.
5. Using small (24 or 28 Awg) insulated wire connect the flags (on the left) to the desired data bits (on the right) on the component header.
6. The component header is now a "plug" for your particular flag assignment. Several different flag assignment "plugs" can be prepared in the same manner and used at different times to suit the requirements of the software being executed.

Any given flag may be assigned to more than one data bit. However, each data bit can have only one flag assigned to it.

Interface Options

TTY 20 mA

To drive a Teletype, the following connections should be made (at J4 or J5 for Device A or B respectively):

- | | |
|--------|--|
| Pin 23 | Current into printer (ASR-33 pin 7) |
| Pin 25 | Return current from printer (ASR-33 pin 6) |
| Pin 17 | Current into keyboard (ASR-33 pin 4) |
| Pin 24 | Return current from keyboard (ASR-33 pin 3). |

RS/232C

An RS232 terminal (such as a CRT) may be plugged into an interface cable directly out of J4 or J5. The TU-ART assumes the role of data-set (computer) in this case. See Figure 8: **Terminal to TU-ART Cable** for this connection.

Parallel I/O

The parallel port output drivers may be tristated by grounding pin 8 of the parallel port (J2, J3). A bidirectional bus may be implemented by simply wiring the input and output lines together and using pin 8 to control the direction of data flow. Pin 8 low implies data input to the TU-ART and pin 8 high implies data output from the TU-ART.

Figure 2 Summary Of Data And Control Port Addresses

OFFSET	A7 A6 A5 A4 A3 A2 A1 A0	FUNCTION
0		IN Device A status register
0		OUT Device A baud rate register
1		IN Device A receiver data register
1	Set by DIP switch at "A Base Address"	OUT Device A transmitter data register
2		OUT Device A command register
3		IN Device A interrupt address register
3		OUT Device A interrupt mask register
4		IN Device A parallel port
4		OUT Device A parallel port
5		OUT Device A timer 1
6		OUT Device A timer 2
7		OUT Device A timer 3
8		OUT Device A timer 4
9		OUT Device A timer 5
0		IN Device B status register
0		OUT Device B baud rate register
1		IN Device B receiver data register
1	Set by DIP switch at "B Base Address"	OUT Device B transmitter data register
2		OUT Device B command register
3		IN Device B interrupt address register
3		OUT Device B interrupt mask register
4		IN Device B parallel port
4		OUT Device B parallel port
5		OUT Device B timer 1
6		OUT Device B timer 2
7		OUT Device B timer 3
8		OUT Device B timer 4
9		OUT Device B timer 5

NOTES

All unassigned ports are free for system use (IN #2, OUTs #5-9. INs and OUTs #10-15).

If Device A and Device B are set to the same base address, Device A will override.

Device A (IC 4) is located leftmost.

Device B is IC 5.

Register Description

In the following sections, each I/O port (register) will be discussed. The operation of these ports is the same in Device A and Device B. Refer to Figure 3:

Summary of Register Formats for TU-ART, Each Device, for a summary.

Offset IN/OUT Description

0 IN Status Register

Bit assignment by PC Board traces.

D7	D6	D5	D4	D3	D2	D1	D0
Transmit Buffer Empty	Read Data Avail.	Int. Pending	Start Bit Detect	Full Bit Detect	Serial Rcv	Over-run Error	Frame Error

The functions of these flags are indicated in the following sections.

D7 Transmitter Buffer Empty (TBE)

A high in bit 7 indicates that the transmitter data buffer is ready to accept a new byte. TBE goes high as soon as the serial transmitter begins to send the byte currently in the buffer. Since the transmitter is "double-buffered," the user may respond to the TBE signal and load the buffer even before the previous byte has been totally transmitted. TBE also activates interrupt request 5. TBE is cleared when the buffer is loaded and is set by the RESET command.

D6 Receiver Data Available (RDA)

A high in bit 6 indicates that a byte of data is available from the receiver buffer. This flag remains high until the buffer is read. A RESET command clears the flag. If the buffer is not read by the time the next byte from the receiver is ready, the new byte will write over the old byte and the overrun error flag will be set. RDA also activates interrupt request 4.

D5 Interrupt Pending (IPG)

A high in bit 5 indicates that one or more of the eight interrupt request sources has become active. This flag goes high at the same time as the interrupt request pin of the TMS 5501.

D4 Start Bit Detect (SBD)

A high in bit 4 indicates that the serial receiver has detected a start bit. This bit remains high until the full character has been received. SBD is cleared by RESET command. This bit is provided for test purposes.

D3 Full Bit Detect (FBD)

The FBD flag in bit 3 goes high one full bit time after the start bit has been detected. This bit remains high until the full character has been received. FBD is cleared by a RESET command. This bit is provided for test purposes.

D2 Serial Receive (SRV)

A high in bit 2 indicates high level on the serial data input line. A low in bit 2 indicates a low level on the serial data input line. SRV is high when no data is being received. This bit is provided for break detection and for test purposes.

D1 Overrun Error (ORE)

A high in bit 1 indicates that the receiver has loaded the receiver data buffer before the previous contents were read. ORE is cleared after the status port is read or by the RESET command.

D0 Frame Error (FME)

A high in bit 0 indicates an error in one or both of the stop bits which "framed" the last received data byte. FME remains high until a valid character is received.

0 OUT Baud Rate Register

Loading this register sets the baud rate and stop bits for serial receive and transmit data. Bit assignment is as follows:

D7	D6	D5	D4	D3	D2	D1	D0
STOP BITS	9600	4800	2400	1200	300	150	110

D7 Stop

A high in bit 7 selects one stop bit for serial receive and transmit data. A low in bit 7 selects two stop bits.

D6-D0 Baud Rate

A high in one of the lower seven bits selects the corresponding baud rate. If more than one bit is high, the highest rate selected will result. If none of the bits are high, the serial transmitter and receiver will be disabled. (For special purposes these baud rates can be octupled—see the description of HBD in the command register.)

1 IN Receiver Data

This register contains an assembled byte of data from the serial receiver.

1 OUT Transmitter Data

This register is loaded with data for the serial transmitter.

2 IN Not Assigned

Reading this port causes no response from the TU-ART. This address is available for other parts of the computer system.

2 OUT Command Register

The format for the command register is as follows:

D7	D6	D5	D4	latched		D1	D0
Not Used	Not Used	Test	HIGH BAUD	INTA Enable	RST7 Sel.	Break	Reset

D5 Test Bit (TB5)

A high in bit 5 disables the internal interrupt priority logic and then enables the internal clock. Thus, the signal on the INT pin of the 5501 becomes a TTL level clock of 1562.5 Hz (12.5 kHz if HBD is high—see "D4 High Baud" below). TB5 should be low for normal operation.

D4 High Baud (HBD)

A high in bit 4 octuples the rate of the internal clock. This causes the interval timers to count eight times faster and the serial data rates to increase eight-fold. When bit 4 is high, baud rates up to 76.8k are available for high speed data transfers.

D3 INTA Enable (INE)

A high in bit 3 allows the 5501 to respond to an Interrupt Acknowledge by gating a Restart instruction into the data bus at the correct time and resetting its internal interrupt request latch.

A low in bit 3 prevents the 5501 from detecting an INTA cycle. Bit 3 should be high for normal operation.

D2 RST7 Select (RS7)

A high in bit 2 connects the MSB of the parallel input port to the interrupt request latch for the lowest priority interrupt (interrupt 7). A low-to-high transition on the MSB of the parallel input port (PI7) will activate the interrupt request latch.

A low in bit 2 connects the output of Timer 5 to the interrupt request latch for the lowest priority interrupt (interrupt 7). When the timer count reaches zero, the interrupt request latch will be activated.

D1 Break (BRK)

A high in bit 1 holds the serial transmitter output in the low state (spacing). RES will override (see "D0 Reset" below).

A low in bit 1 allows normal operation. BRK should be low for normal operation.

D0 Reset (RES)

A high in bit 0 causes the following actions:

- a) The Serial Receiver goes into search mode;

RDA, SBD, FBD, and ORE are set to zero. The contents of the receiver buffer are not affected.

- b) The Serial transmitter output is set high (marking). If D0 and D1 are both high, the RES function will override. RES sets TBE high.
- c) The interrupt register is cleared except for the TBE interrupt request which is set high.
- d) The interval timers are cleared.

RES is not latched.

03 IN Interrupt Address

This register contains the encoded address of the highest priority interrupt currently requesting service. This address is identical to the "Restart" instruction op-code for the interrupt acknowledge. Thus, the register contents may be (in order of service priority):

HEX	SOURCE
C7	Timer 1
CF	Timer 2
D7	Sens
DF	Timer 3
E7	Receiver Data Available
EF	Transmitter Buffer Supply
F7	Timer 4
FF	Timer 5 or P17

This register is provided for servicing interrupts via polling. After the register is read, the corresponding bit in the interrupt request register is reset. If the register is read when no interrupt is pending, it will read 0FFH.

03 OUT Interrupt Mask

D7	D6	D5	D4	D3	D2	D1	D0
Timer5 P17	Timer4	TBE	RDA	Timer3	Sens	Timer2	Timer1

The contents of this register are logically "And"-ed with output from the interrupt request register on the 5501. A high bit in the interrupt mask allows the corresponding request to pass on into the priority encoder. A low bit in the interrupt mask inhibits the corresponding interrupt from passing any further. Since the interrupt requests are latched independently of the state of the mask, an interrupt may be requested while the mask bit is low. The request will be retained until the mask is changed and the request allowed to pass on (assuming no RES command in the interim).

04 IN Parallel Input

This register contains the data presented at J2 (Device A) or at J3 (Device B). The input data must be stable 75 ns after Input Strobe goes low. The peripheral supplying data to the TU-ART can indicate data available by activating the SENS line (or by raising the MSB of the parallel input if the RS7 bit in the command register is high).

When using Z-80 block input commands, it is not necessary to supply data at full speed. The input peripheral should simply pull down the WAIT line (pin 21 of J1 or J3) whenever Input Strobe goes low and should not let WAIT go high until the next byte is presented to the TU-ART. (The TU-ART will not read this byte until Input Strobe goes low again.)

04 OUT Parallel Output

This register contains the data which drives the parallel output buffers. The output data is guaranteed stable 1.45 μ sec after the falling edge of Output Strobe. The TTL output buffers which drive J2 (Device A) and J3 (Device B) may be put in a high-impedance state by pulling down on Disable (pin 8).

When using the Z-80 block output commands, it is not necessary to receive data at full speed. The output peripheral should simply pull down the WAIT line (pin 21 of J2 or J3) whenever Output Strobe goes low and not let WAIT go high until the output peripheral has had time to "digest" the data.

05 IN Not Connected

Addressing this port causes no response from the TU-ART. This address is available for use by other parts of the computer system.

05 OUT Timer 1

This register contains the count used to start Timer 1. This count is decremented by 1 every 64 μ seconds after initial loading. When the count reaches zero, bit 0 of the interrupt request register is set and the timer disabled. Since the maximum count is 255, the longest interval is $255 \times 64 \mu\text{sec.} = 16.32 \text{ msec.}$ Accuracy is plus 0 and minus 64 $\mu\text{sec.}$ Loading a count of zero causes an immediate interrupt request to the interrupt request register. Loading a new count while the timer is counting reinitializes the timer without an interrupt request. If HBD is high in the command register, the timers will count 8 times as fast.

06 IN Not Connected

Same as Input 05.

06 OUT Timer 2

Operates in the same fashion as Timer 1.

07 IN Not Connected

Same as Input 05.

07 OUT Timer 3

Operates in the same fashion as Timer 1.

08 IN Not Connected

Same as Input 05.

08 OUT Timer 4

Operates in the same fashion as Timer 1.

09 IN Not Connected

Same as Input 05.

09 OUT Timer 5

Operates in the same fashion as Timer 1.

0AH - 0FFH IN And OUT Not Connected

Same as Input 05.

Figure 3 Summary Of Register Formats For TU-ART, Each Device

OFFSET	FUNCTION	D7	D6	D5	D4	D3	D2	D1	D0	REF. PAGE
0	IN STATUS	TBE	RDA	IPG	SBD	FBD	SRV	ORE	FME	6
0	OUT STATUS	STOP	9600	4800	2400	1200	300	150	110	7
1	IN SERIAL	MSB	Direction of shift \longrightarrow						LSB	7
1	OUT SERIAL	MSB	Direction of shift \longrightarrow						LSB	7
2	OUT COMMAND	- - -	- - -	TB5	HBD	INE	RS7	BRK	RES	7-8
3	IN INT ADDR	1	1	I4*	I2*	I0*	1	1	1	8
3	OUT INT MASK	T5/P17	T4	TBE	RDA	T3	SENS	T2	T1	8
4	IN PARALLEL	MSB							LSB	8
4	OUT PARALLEL	MSB							LSB	8
5-9	OUT Timer 1-5	MSB (Delay=count x 64 $\mu\text{sec.}$, HBD=0) (Delay=count x 8 $\mu\text{sec.}$, HDB=1)								9

I4	I2	I0	Source of Interrupt
0	0	0	Timer 1
0	0	1	Timer 2
0	1	0	SENS
0	1	1	Timer 3
1	0	0	RDA
1	0	1	TBE
1	1	0	Timer 4
1	1	1	Timer 5/P17

Interrupt Operation

The TU-ART offers sophisticated interrupt capabilities, including on-board priority encoding, interrupt generation, interrupt acknowledgment, and daisy chain expandability. These features, in conjunction with the Cromemco 4 MHz Z-80 processor, make very high throughput possible.

IMPORTANT

Both channels of the TU-ART must be properly initialized. An uninitialized TU-ART may generate spurious interrupts! Further, the rest of the system must be interrupt compatible (all Cromemco boards are, although the 8K Bytesaver requires the interrupt modification shown on the 8K Bytesaver schematic).

A description of interrupt operation follows for both the Z-80 and 8080 type interrupt modes.

Operation Using Z80 Interrupts

When the TU-ART is used with the Cromemco ZPU, all 16 of the possible interrupt sources on the TU-ART can generate a unique response without the need for chaining the interrupt requests and polling the responses. This means fast response from interrupt request to service routine and, when coupled with the 4MHz Z-80, an extremely powerful realtime system can be implemented.

A "high priority" interrupt request is one which takes precedence over lower priority requests. This is shown in the following table where the interrupts serviced first are at the top.

It is, of course, possible to use the interrupt mask of each Device to selectively enable and disable the sources of interrupts (see the description of the operation of output port 3). Remember that the INE bit in the status register must be high for correct operation of Interrupt Acknowledge cycles. Also, be

Table 1 Z80 (Mode 2) Response

Priority	TU-ART's (Hex) Z-80 INTA Response								Source of Interrupt	
	D7	D6	D5	D4	D3	D2	D1	D0		
15	Set By Device A Adr. A7	Set By Device A Adr. A6	Set By Device A Adr. A5	0	0	0	0	0	Device A, Timer 1	
14				0	0	0	1	0	0	Device A, Timer 2
13				0	0	1	0	0	0	Device A, SENSEA
12				0	0	1	1	1	0	Device A, Timer 3
11				0	1	0	0	0	0	Device A, RDA
10				0	1	0	1	0	1	Device A, TBE
9				0	1	1	1	0	0	Device A, Timer 4
8				0	1	1	1	1	0	Device A, Timer 5 (PI7)
7				1	0	0	0	0	0	Device B, Timer 1
6				1	0	0	0	1	0	Device B, Timer 2
5				1	0	1	0	0	0	Device B, SENSEB
4				1	0	1	1	1	0	Device B, Timer 3
3				1	1	0	0	0	0	Device B, RDA
2				1	1	0	1	0	1	Device B, TBE
1				1	1	1	1	0	0	Device B, Timer 4
0				1	1	1	1	1	1	Device B, Timer 5 (PI7)

sure that the Z-80 has executed the interrupt mode setting command 0ED5EH ("IM2") and the interrupt enable command 0FBH ("EI"). A Reset input to the Z-80 will necessitate both of these operations.

Assuming that both the Z-80 and the TU-ART have been initialized, the sequence following reception of a byte of serial data at Device B would be as follows:

- a) The assembled byte is loaded into the receiver data buffer.
- b) The RDA status bit is set and the interrupt request register (bit 3) is set.
- c) If bit 3 of the interrupt mask of the Device in question is a one, the request passes on to the priority encoder. If bit 3 is a zero, no further action occurs until the mask is changed.
- d) The priority encoder compares all incoming interrupt requests and sets its output to the value of the highest priority incoming interrupt. Thus, since Device B receives the serial data byte in our example; the priority encoder will set its output to "priority 3" if Timers 1, 2, 3, and SENS \bar{B} from Device B are inactive or masked out.
- e) Device B's INT pin goes high, which in turn pulls PINT on the S-100 bus.
- f) The Z-80 checks the interrupt line at the end of the current instruction, and finding the line active, goes into an Interrupt Acknowledge (INTA) cycle.
- g) The occurrence of the INTA cycle is detected

by the TU-ART which then transmits PRIORITY $\bar{O}UT = 0$ to connector J1. This temporarily disables Interrupt Acknowledge from lower priority boards. If no board with higher priority is holding down PRIORITY $\bar{I}N$, and if Device A has no interrupt pending, then Device B gates onto the data bus the proper Z-80 INTA response vector. In this example, Device B would place on the data bus 18H (logically "OR"ed with A7, A6, A5 0 0 0 0 0 from Device A's Base Address). The corresponding bit in the interrupt request latch is reset.

- h) The Z-80 reads the INTA response byte and appends it to the byte in the I register. This then forms a sixteen bit address which points to the first of two sequential bytes in memory which in turn designate the actual starting address of the service routine. The CPU automatically executes a CALL to the starting address.

Operation Using 8080 Mode Interrupts

When the TU-ART is used with 8080 processors, it is necessary to "chain" Device B through the SENS input on Device A. This requires one of the eight 8080 INTA responses, RST2 (0D7H), to be serviced by a routine which polls the status and interrupt address registers of Device B. The remaining seven 8080 INTA responses are serviced immediately. The resulting priority assignment is as follows:

Table 2 8080 (Mode 0) Response

Priority	TU-ART's (Hex) 8080 INTA Response	Source of Interrupt
15	C7 (RST0)	Device A, Timer 1
14	CF (RST1)	Device A, Timer 2
13	D7 (RST2)	Device B, Timer 1
12	"	" Timer 2
11	"	" SENS \bar{B}
10	"	" Timer 3
9	"	" RDA
8	"	" TBE
7	"	" Timer 4
6	"	" Timer 5 (PI7)
5	"	" SENS \bar{A}
4	DF (RST3)	Device A, Timer 3
3	E7 (RST4)	" RDA
2	EF (RST5)	" TBE
1	F7 (RST6)	" Timer 4
0	FF (RST7)	" Timer 5 (PI7)

It is, of course, possible to use the interrupt mask of each Device to selectively enable and disable the sources of interrupts (see the description of output port 3).

It is not necessary to reset the INE status bit of Device B to zero even though Device B can never respond directly to an Interrupt Acknowledge (INTA) cycle. The INTA status information is not fed to Device B if 8080 mode INTA has been selected on the Option DIP Switch. Therefore, the 5501 never attempts to drive the bus during INTA.

No wiring changes are necessary to disconnect the INT pin of Device B from the $\overline{\text{PINT}}$ driver and to connect it to the Device A SENS pin. All this is done automatically when 8080 mode INTA has been selected on the Option DIP Switch. Note that $\overline{\text{SENSA}}$ at J1 is still connected. Pulling this line down will generate an interrupt request. The 8080 must execute the EI instruction (0FBH) after resets or interrupts before an interrupt may take place.

For the 8080, the sequence of events corresponding to Device B receiving a byte of serial data are as follows:

- a) The assembled byte is loaded into the receiver data buffer.
- b) The RDA status bit is set, the interrupt request register bit 3 is set, and the IPG status bit is set in the device which received the character (Device B in this example).
- c) If bit 3 of the interrupt mask of the device in question is a one, the interrupt request passes on to the priority encoder. If bit 3 is a zero, no further action occurs until the mask is changed.
- d) The priority encoder compares all incoming interrupt requests and sets its output to the value of the highest priority incoming interrupt. Thus, if Device B received the serial data byte in our example, the priority encoder will set its output to priority three if and only if Device B's Timers 1, 2, and 3 and $\overline{\text{SENSB}}$ are inactive or masked out.
- e) Device B's INT pin goes high which in turn activates the SENS pin of Device A.
- f) If bit 2 of Device A's interrupt mask is a one, the interrupt request will pass on to the priority

encoder. If bit 2 is a zero, no further action occurs until the mask is changed.

- g) The priority encoder in Device A compares all incoming interrupt requests and sets its output to the value of the highest priority incoming interrupt. In our example, the interrupt from Device B activates the SENS input at Device A. This interrupt will have top priority if and only if Device A's Timers 1 and 2 are inactive or masked out.
- h) Device A's INT pin goes high which in turn pulls down $\overline{\text{PINT}}$ on the S-100 bus.
- i) The 8080 checks the interrupt line at the end of the current instruction and, finding it active, goes into an Interrupt Acknowledge (INTA) cycle.
- j) The occurrence of the INTA cycle is detected by the TU-ART which then transmits PRIORITY OUT = 0 to J1. This temporarily disables Interrupt Acknowledge from lower priority boards. If no board with high priority is holding down PRIORITY IN, Device A will gate an 8080 INTA response onto the bus. In this example, Device A would place on the data bus D7H (RST2). The corresponding bit in Device A's interrupt request register is reset.
- k) The 8080 reads the INTA response byte and performs a CALL to location 10H.
- l) The service routine located at starting location 10H, reads the status register of Device B. If IPG is zero, no interrupts are pending in Device B so that the interrupt request must have originated from the $\overline{\text{SENSA}}$ line. The service routine branches to the appropriate subroutine.

If IPG is one, Device B has an interrupt pending which must be serviced. The source of the interrupt is determined by reading Device B's Interrupt Address register. In our example, the Interrupt Address register would contain E7H. When this byte is read, the corresponding bit of the interrupt request register will be reset. The service routine has now determined the true cause of the interrupt and branches to the appropriate subroutine.

Connecting The TU-ART To I/O Devices

Parallel Ports

Each device has an 8-bit output port and an 8-bit input port with TTL buffering. The I/O connectors J2 and J3 provide these signals, along with several control lines. A full listing of these lines and their pin assignments is given in Tables 3 and 4.

Figure 4 shows the timing of the TU-ART's parallel ports. Notice that Input Strobe (\overline{ISB}) is low while the TU-ART is reading the parallel port and therefore data must be stable. Data should become stable no later

than 75 nanoseconds after \overline{ISB} goes low and should be held stable for at least 40 nanoseconds after \overline{ISB} goes high.

Output Strobe (\overline{OSB}) goes low while the TU-ART is loading a byte from the S-100 bus. There is an additional delay of up to 450 nanoseconds inside the TMS 5501 IC, so data becomes available at J2 or J3 a maximum of 450 nanoseconds after \overline{OSB} goes high.

Figures 5 and 6 show suggested circuits for block-mode transfers. In these schemes, the peripheral requests service from the processor and holds down the "ready" (Wait) lines between bytes.

Figure 4 Parallel Port Timing

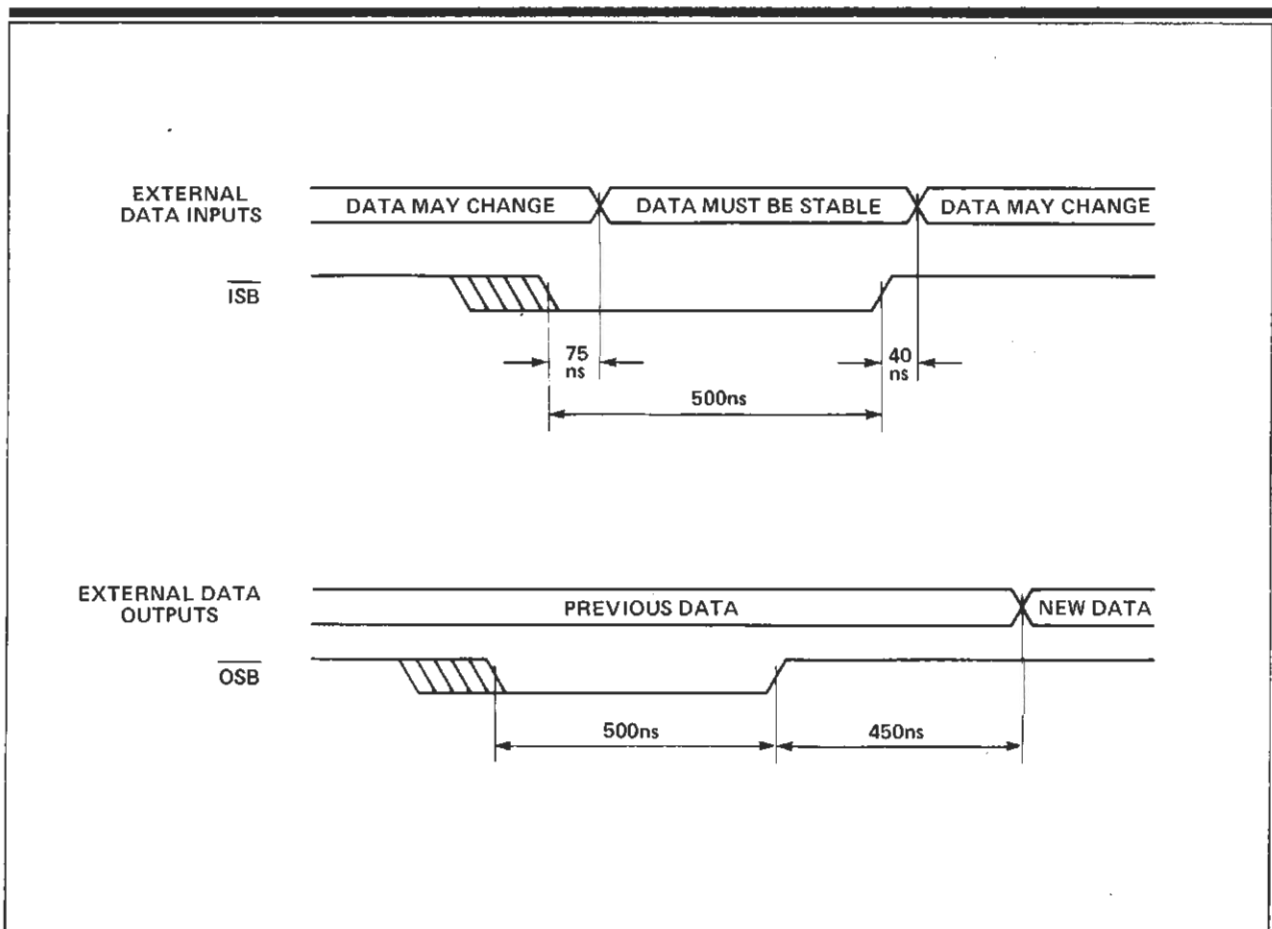


Figure 5 Suggested Block Input Circuit

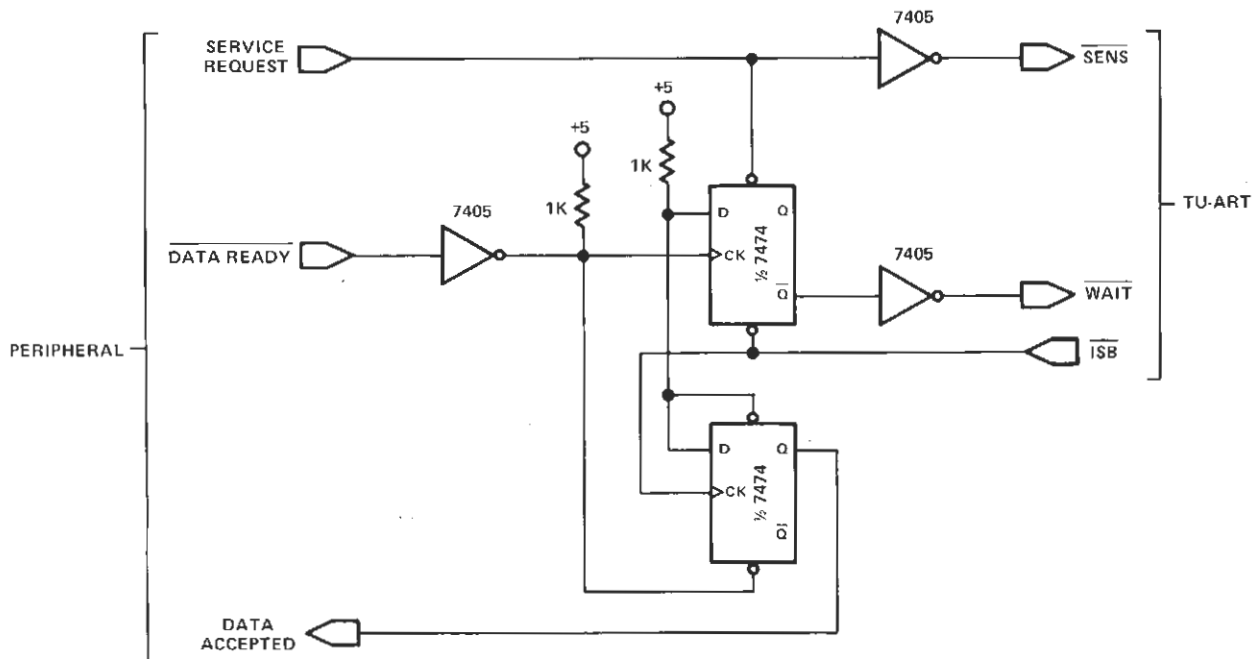
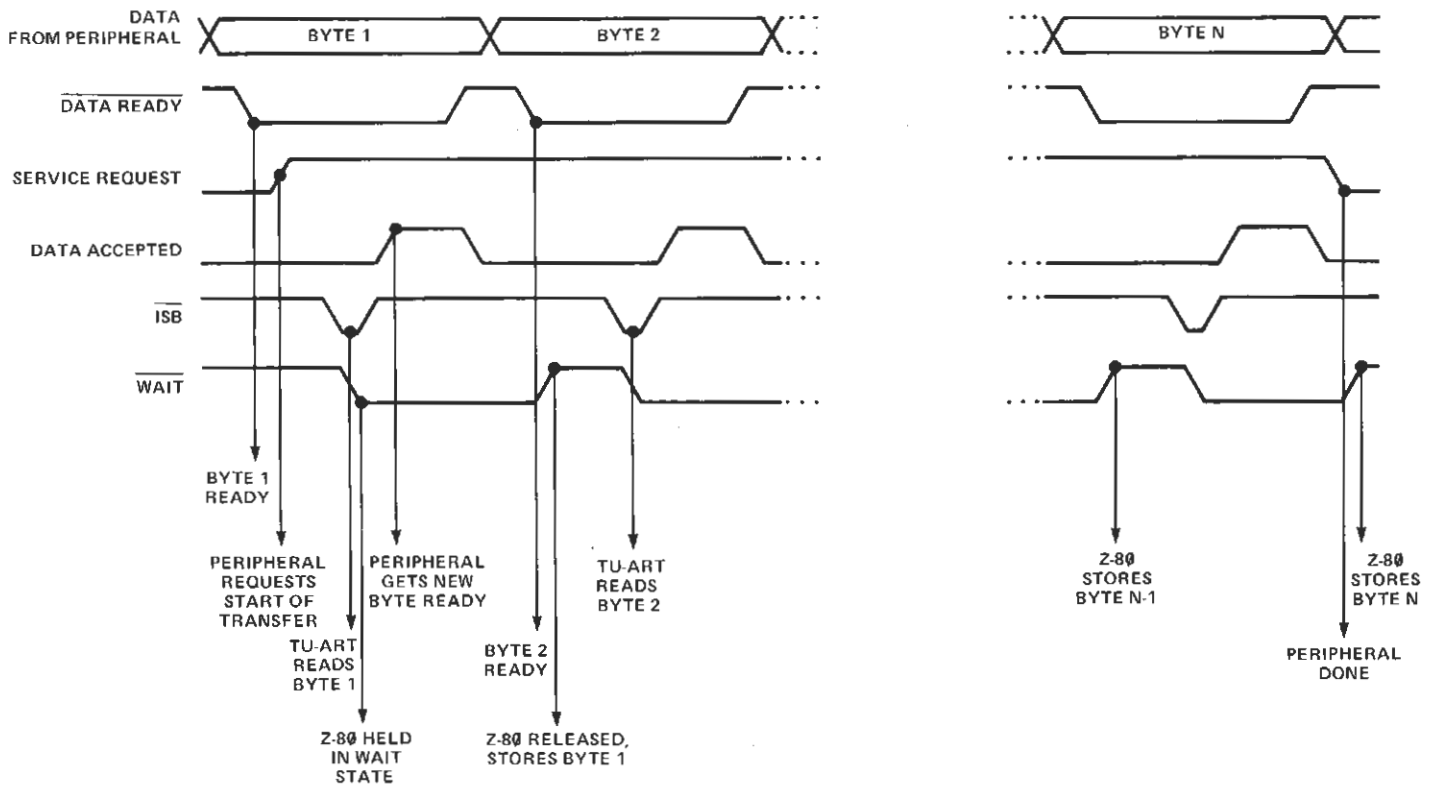


Figure 6 Suggested Block Output Circuit

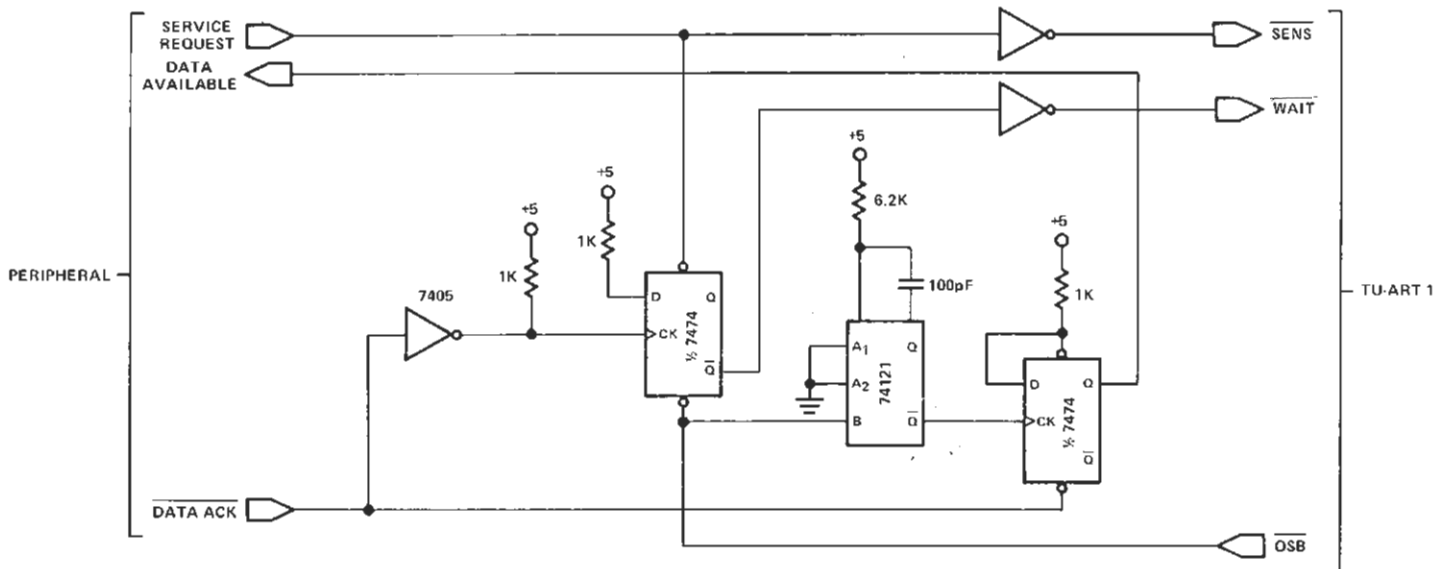
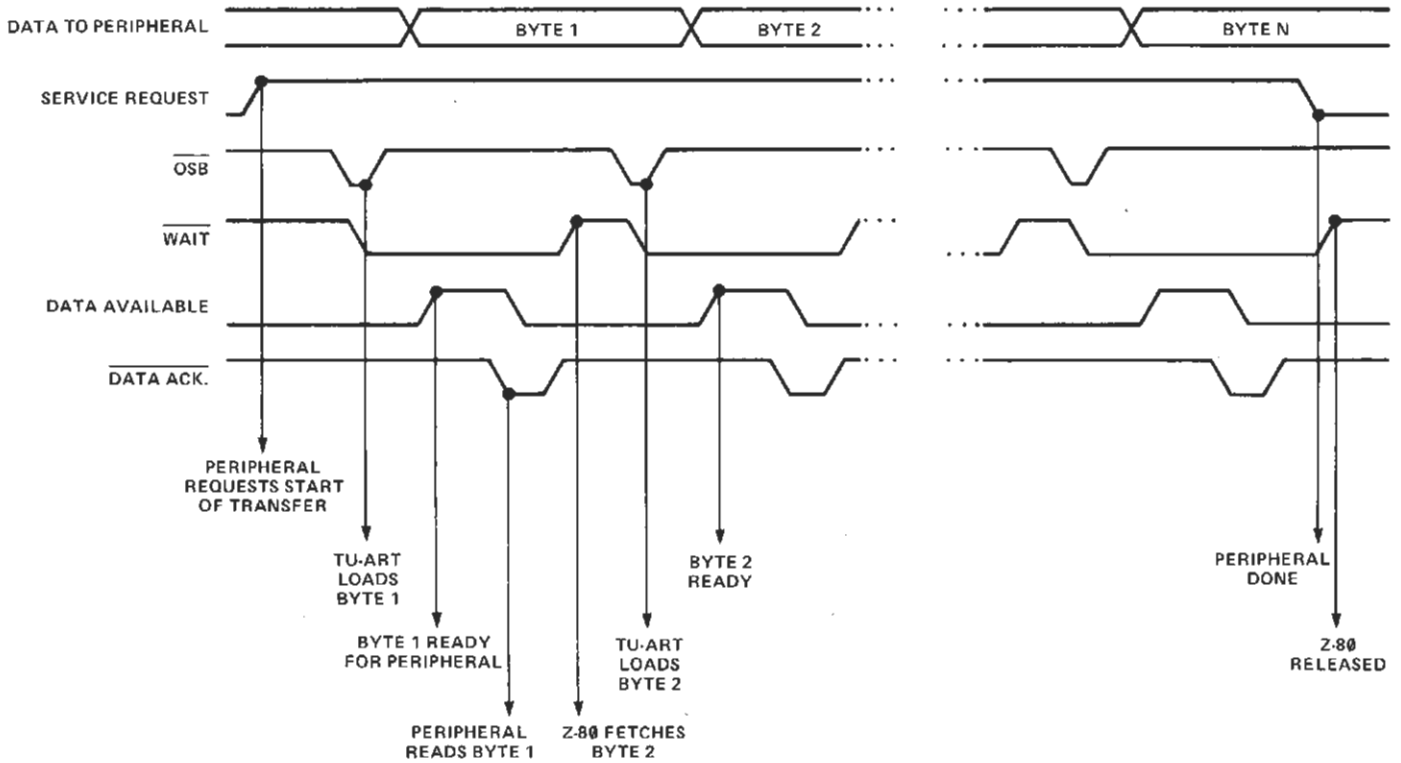
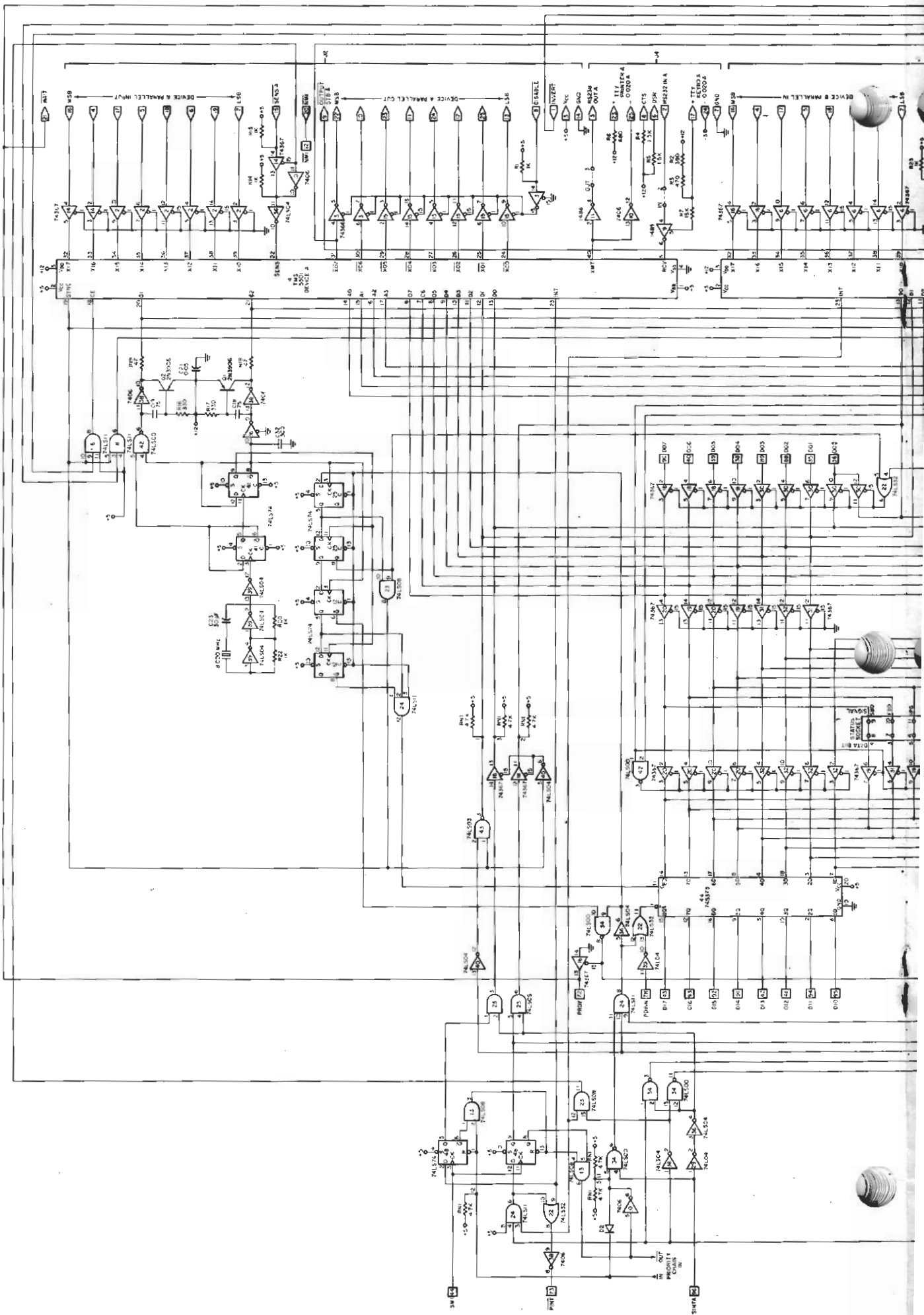
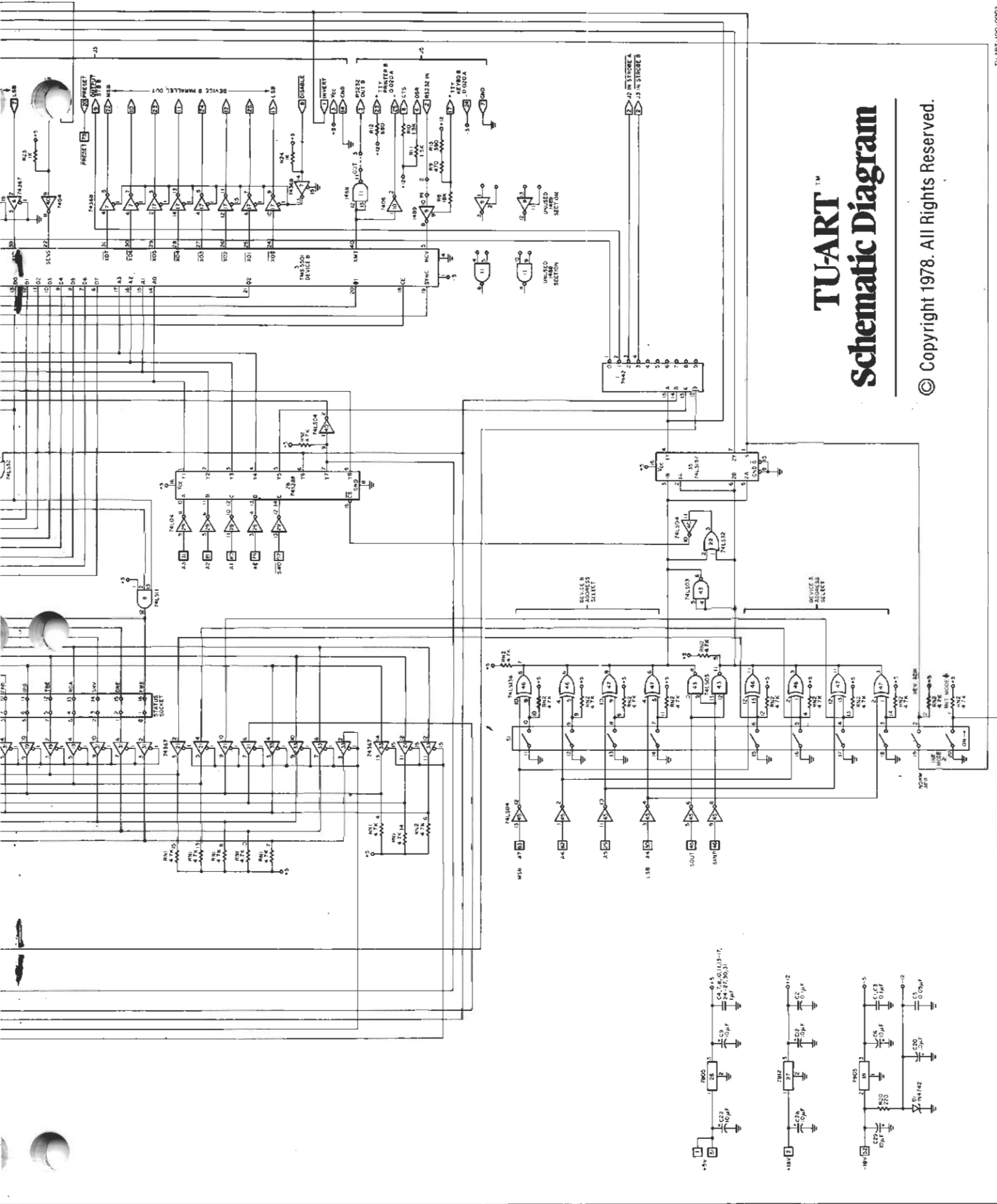


Table 3 J2 Parallel A

Pin	Name	Signal Direction	Voltage Level	Function
1	$\overline{\text{Invert}}$	Input	TTL	Used for normal/reverse address switching. See discussion under "Switch Selectable Options."
2	$\overline{\text{Input Strobe A}}$	Output	TTL	When active indicated that the data present on input bits 0-7 is being sampled.
3	Vcc	Output	+5V	
4	Bit 6	Input	TTL	
5	Bit 4	Input	TTL	
6	Bit 2	Input	TTL	
7	Bit 0	Input	TTL	
8	$\overline{\text{Disable}}$	Input	TTL	Turns the output drivers for the parallel output bits off.
9	$\overline{\text{Output Strobe}}$	Output	TTL	Indicates that data is present on parallel output bits 0-7.
10	Bit 6	Output	TTL	
11	Bit 4	Output	TTL	
12	Bit 2	Output	TTL	
13	Bit 0	Output	TTL	
14	Signal Ground	Output	0V	
15	$\overline{\text{SENS A}}$	Input	TTL	Interrupt request, input to IC 4 5501 (A)
16	Bit 7	Input	TTL	
17	Bit 5	Input	TTL	
18	Bit 3	Input	TTL	
19	Bit 1	Input	TTL	
20	$\overline{\text{NMI}}$	Input	TTL	Non maskable interrupt. This pin is tied directly to pin 12 of the S-100 bus. Consult the Z-80 manual for use. Only usable with the Cromemco ZPU card.
21	$\overline{\text{Wait}}$	Input	TTL	This pin is tied directly to pin 72 (PRDY) of the S-100 bus. Stops the CPU when active.
22	Bit 7	Output	TTL	
23	Bit 5	Output	TTL	
24	Bit 3	Output	TTL	
25	Bit 1	Output	TTL	





TU-ART™ Schematic Diagram

© Copyright 1978. All Rights Reserved.

Table 4 J3 Parallel B

Pin	Name	Signal Direction	Voltage Level	Function
1	$\overline{\text{Invert}}$	Input	TTL	Used for normal/reverse address switching. See discussion under "Switch Selectable Options."
2	$\overline{\text{Input Strobe B}}$	Output	TTL	When active indicates that the data present on input bits 0-7 is being sampled.
3	Vcc	Output	+5V	
4	Bit 6	Input	TTL	
5	Bit 4	Input	TTL	
6	Bit 2	Input	TTL	
7	Bit 0	Input	TTL	
8	$\overline{\text{Disable}}$	Input	TTL	Turns the output drivers for the parallel output bits off.
9	$\overline{\text{Output Strobe}}$	Output	TTL	Indicates that data is present on parallel output bits 0-7.
10	Bit 6	Output	TTL	
11	Bit 4	Output	TTL	
12	Bit 2	Output	TTL	
13	Bit 0	Output	TTL	
14	Signal Ground	Output	0V	
15	$\overline{\text{SENS B}}$	Input	TTL	Interrupt request, input to IC 5 5501 (B).
16	Bit 7	Input	TTL	
17	Bit 5	Input	TTL	
18	Bit 3	Input	TTL	
19	Bit 1	Input	TTL	
20	$\overline{\text{PRESET}}$	Input	TTL	Preset. This pin is tied directly to pin 75 of the S-100 bus. Consult the Z-80 manual for use. Only usable with the Cromemco ZPU card.
21	$\overline{\text{Wait}}$	Input	TTL	This pin is tied directly to pin 72 ($\overline{\text{PRDY}}$) of the S-100 bus. Stops the CPU when active.
22	Bit 7	Output	TTL	
23	Bit 5	Output	TTL	
24	Bit 3	Output	TTL	
25	Bit 1	Output	TTL	

Serial Ports

Each device has a bidirectional serial port with RS-232 and current loop buffering. The I/O connectors J4 and J5 provide these signals, along with

several control lines. A full listing of these lines and their pin assignments is given in Tables 5 and 6.

Figure 7 shows how flat wire cables should be connected to the TU-ART. Figure 8 shows a suggested wiring diagram.

Table 5 J4 Serial A

Pin	Name	Signal Direction	Voltage Level	Function
1	FRAME GROUND	---	---	Not connected on PC board. This pin should be tied to the chassis at the back panel if an RS232 terminal is being used.
2	INPUT A	Input	±12V	RS232 data input.
3	OUT A	Output	±12V	RS232 data output.
4	NC			
5	NC			
6	DSR	Output	+12V	RS232 data set ready. Tied to +12V through 1.5k (R5) on the PC board.
7	SIGNAL GND	---	0V	RS232 signal ground
8	CTS	Output	+12V	RS232 clear to send. Tied to +12V through 1.5k (R4) on PC board.
9-16	NC			
25	TTY OUT A	Output	---	Data output current loop – (current sink)
23	TTY OUT A	Output	+12V	Data output current loop + (current source)
17	TTY IN A	Input	+12V	Data input current loop + (current source)
24	TTY IN A	Input	-5V	Data input current loop – (current sink)
18-22	NC			
25-26	NC			

Table 6 J5 Serial B

Pin	Name	Signal Direction	Voltage Level	Function
1	FRAME GROUND	---	---	Not connected on PC board. This pin should be tied to the chassis at the back panel if an RS232 terminal is being used.
2	INPUT B	Input	±12V	RS232 data input.
3	OUT B	Output	±12V	RS232 data output.
4	NC			
5	NC			
6	DSR	Output	+12V	RS232 data set ready. Tied to +12V through 1.5k (R5) on PC board.
7	SIGNAL GND	---	0V	RS232 signal ground.
8	CTS	Output	+12V	RS232 clear to send. Tied to +12V through 1.5k (R4) on PC board.
9-16	NC			
25	TTY OUT B	Output	---	Data output current loop – (current sink)
23	TTY OUT B	Output	+12V	Data output current loop + (current source)
17	TTY IN B	Input	+12V	Data input current loop + (current source)
24	TTY IN B	Input	–5V	Data input current loop – (current sink)
18-22	NC			
25-26	NC			

Figure 7 Cable Connection

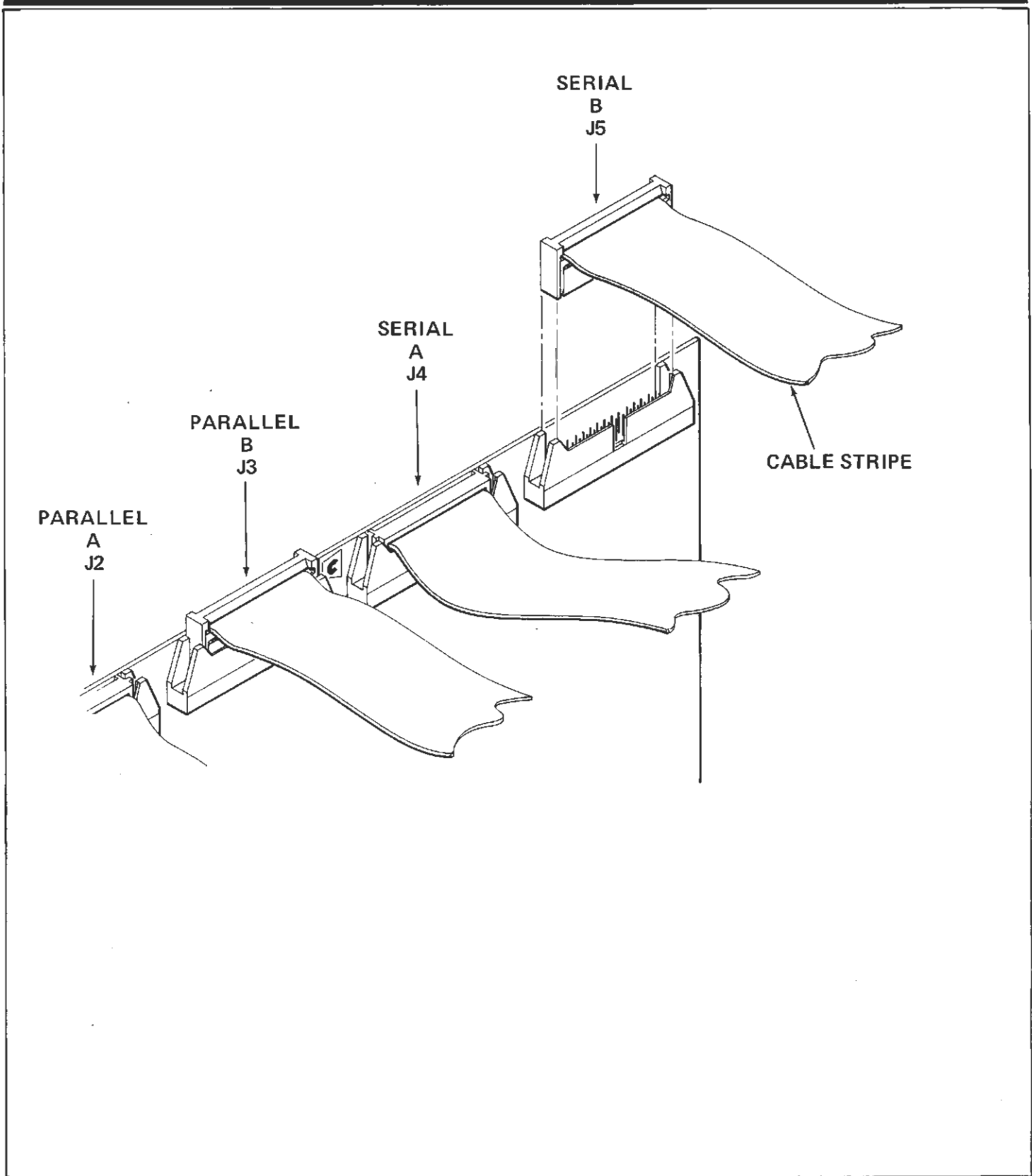
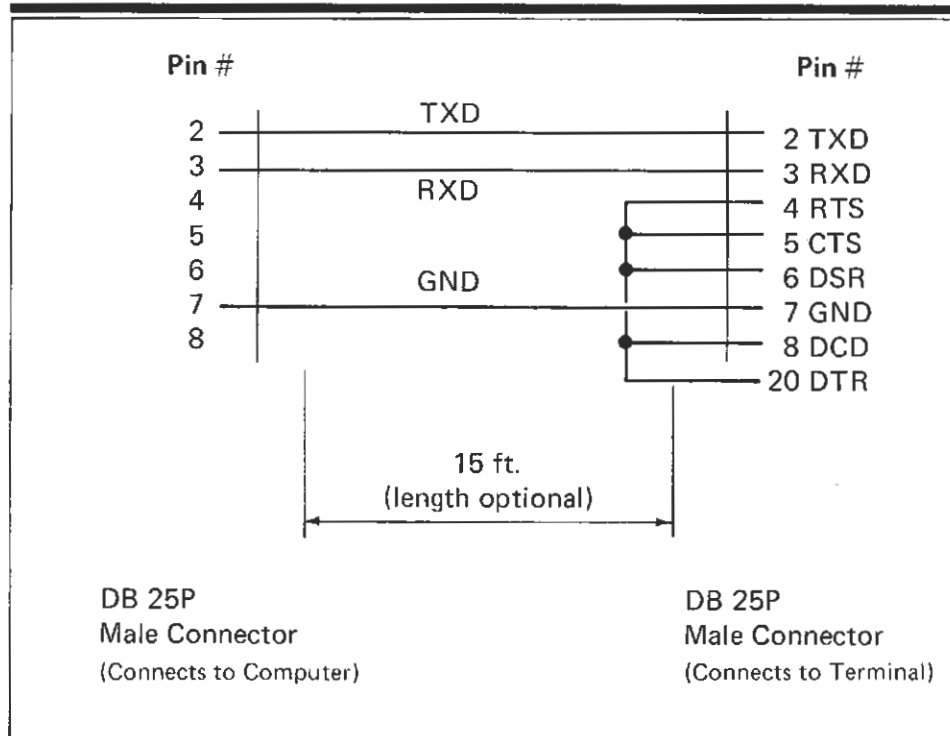


Figure 8 Terminal To TU-ART Cable



This is a diagram of the cable required to connect a serial RS-232 I/O device (such as a CRT terminal) from the DB 25-S socket of the TU-ART cable (model TRT-CBL) to the DB 25-S connector of the RS-232 device.

The jumper connection between pins 4, 5, 6, 8 and 20 may not be required since some terminals have internal pullups on these lines.

Originate Mode Modification

The TU-ART is factory wired for answer mode on both A and B serial I/O channels. This means that RS232 serial data is **input** to the TU-ART on J4 pin 3 (Channel A) or J5 pin 3 (Channel B), and that serial data is **output** from the TU-ART on J4 pin 2 (Channel A) or J5 pin 2 (Channel B).

The TU-ART can be configured for originate mode (that is, assume the role of terminal) by reversing the direction of data flow on pins 2 and 3 of J4 and/or J5. Pads have been provided in the area between J4 and J5 for doing this. The modification can be made to either or both channels.

Note that there are two vertical rows of pads. Those closest to J4 are labeled **A** and affect Channel **A** only while those closest to J5 are labeled **B** and affect Channel **B** only.

The uppermost pad is connected to pin 2 of the DB-25 connector and is also connected by a short foil trace on the solder side of the board to the bottom pad. The bottom pad is connected to a data receiver (IC 9). The pad second from the top is connected to pin 3 of the DB-25 connector and is also connected by a short foil trace on the solder side to the pad third from the top. The pad third from the top (labeled "in") is connected to a data driver (IC 11).

To modify the board for originate mode, proceed as follows (the modification is the same for both channels):

1. Cut the trace connecting the top and bottom pads on the solder side. (For Channel A be certain to cut the trace between 2 pads and not the trace between the bottom pad and IC 9 Pin 4.)
2. Cut the trace between the pad second from the top and the pad third from the top.
3. Connect a jumper from the bottom pad (out) to the pad second from the top.
4. Connect a jumper from the pad third from the top (in) to the top pad.

Spare RS232 Drivers And Receivers

There are two uncommitted sections in IC 9, A 75189 driver. Pads for jumper wires have been provided at pins 1, 2, 3 and at pins 11, 12, 13.

There are two uncommitted sections on IC 11, A 75188 Receiver. Pads have been provided at pins 4, 5, 6 and at pins 8, 9, 10.

These uncommitted sections are shown on the schematic diagram.

Programming Examples

1-SEC Metronome

This program rings the console bell at 1-second intervals using Z80 mode interrupts. It is provided as an example of TU-ART operation. It is assumed that the CRT or terminal being used will be connected to serial ports 0 and 1 of the 4FDC and that this program will be loaded and executed from the disk.

Set TU-ART switches 1, 6, 7, and 9 OFF; all other switches on the TU-ART DIP switch should remain ON. This addresses Device B at base port 50H and Device A at base port 80H. Note that Timer 1, Device A is used to generate the interrupt below.

```

0000          0014 ;
              0015 ;
0100          0016          ORG      100H
              0017 ;
0100  F3      0018  TUART:  DI
0101  310003  0019          LD      SP,300H
0104  3E00    0020          LD      A,0      ;Select Device A (see
0106  D354    0021          OUT     54H,A    ;software ADDR-REVERSE).
0108  3E09    0022          LD      A,9      ;Reset Device A & enable
010A  D382    0023          OUT     82H,A    ;interrupt ack. response.
010C  3E01    0024          LD      A,1      ;Mask out all interrupts but
010E  D383    0025          OUT     83H,A    ;those from Timer1, Device A
0110  3E00    0026          LD      A,0      ;Mask out all interrupts
0112  D353    0027          OUT     53H,A    ;from Device B.
0114  3E02    0028          LD      A,2      ;Select page 2
0116  ED47    0029          LD      I,A     ;for interrupt vectors.
0118  ED5E    0030          IM2     ;Interrupt mode 2 (Z80 mode).
011A  CD2801  0031          CALL   INIT    ;Initialize the Timer.
              0032 ;
              0033 ; What follows is an infinite loop. It could
              0034 ; instead be some useful program entirely
              0035 ; unrelated to the Timer program.
              0036 ;
011D  C31D01  0037  HERE:   JP      HERE
              0038 ;
              0039 ; Interrupt Service Routine.
              0040 ;
0120  05      0041  TIMER:  DEC     B
0121  C22A01  0042          JP      NZ,TM2
0124  3E07    0043          LD      A,7      ;Outputting 7 (^C) to the
0126  D301    0044          OUT     1,A     ;console will ring the bell.
0128  067D    0045  INIT:   LD      B,125   ;Multiplier factor.
012A  3E7D    0046  TM2:   LD      A,125   ;Count for Timer1.
012C  D385    0047          OUT     85H,A    ;(125 * 64 usec = 8 msec).
012E  FB      0048          EI      ;Enable interrupts before
012F  C9      0049          RET     ;going to label HERE.
              0050 ;
              0051 ;
0130          0052          ORG      280H
0280  2001    0053          DW      TIMER  ;Interrupt vector, Timer1
0282  (0000)  0054          END
Errors      0

```

Initialization Subroutine

```

0001 ;
0002 ;
0003 ;      TU-ART PROGRAMMING EXAMPLES
0004 ;
0005 ;
0006 ;
(0000) 0007 ABASE: EQU      0      ;BASE ADDRESS DEVICE A
(0050) 0008 BBASE: EQU     50H     ;BASE ADDRESS DEVICE B
0009 ;
(00C0) 0010 BAUDA: EQU     0C0H    ;9600 BAUD, ONE STOP BIT
(0001) 0011 BAUDE: EQU      1      ;110 BAUD, TWO STOP BITS
(0003) 0012 ABDR:  EQU     ABASE+3 ;BAUD RATE PORT A
(0053) 0013 BBDR:  EQU     BBASE+3 ;BAUD RATE PORT B
0014 ;
(0009) 0015 RESET: EQU      9      ;RESET+INTA COMMAND
(0002) 0016 ACMD:  EQU     ABASE+2 ;COMMAND PORT A
(0052) 0017 BCMD:  EQU     BBASE+2 ;COMMAND PORT B
0018 ;
(0000) 0019 MASKA: EQU      0      ;NO INTERRUPTS FROM A
(0000) 0020 MASKE: EQU      0      ;NO INTERRUPTS FROM B
(0003) 0021 AMSK:  EQU     ABASE+3 ;INTERRUPT MASK PORT A
(0053) 0022 BMSK:  EQU     BBASE+3 ;INTERRUPT MASK PORT B
0023 ;
0024 ;
0025 ;
0026 ;
0027 ;
0028 ;      EXAMPLE 1 --- INITIALIZATION ROUTINE
0029 ;
0030 ;      SUBROUTINE INIT:
0031 ;          CALLING PARAMETERS: NONE
0032 ;          RETURN CONDITION: TU-ART INIT'ED
0033 ;
0034 ;
0035 ;
0000 0036      ORG      1000H
1000 F5      0037 INIT:  PUSH   AF      ;SAVE STATE
1001 3E09    0038      LD     A,RESET ;GET COMMAND
1003 D302    0039      OUT   ACMD,A  ;DEVICE A RESET
1005 D352    0040      OUT   BCMD,A  ;DEVICE B RESET
0041 ;
1007 3E00    0042      LD     A,MASKA ;GET INTERRUPT MASK
1009 D303    0043      OUT   AMSK,A  ;MASK A SET
100B 3E00    0044      LD     A,MASKE ;GET INTERRUPT MASK
100D D353    0045      OUT   BMSK,A  ;MASK B SET
0046 ;
100F 3EC0    0047      LD     A,BAUDA ;GET BAUD RATE
1011 D303    0048      OUT   ABDR,A  ;RATE A SET
1013 3E01    0049      LD     A,BAUDE ;GET BAUD RATE
1015 D353    0050      OUT   BBDR,A  ;RATE B SET
1017 F1      0051      POP   AF      ;RETRIEVE STATE
1018 C9      0052      RET

```

Character Output Subroutine

```

0053 ;
0054 ;
0055 ;
0056 ;
0057 ;
0058 ;      EXAMPLE 2 --- SUBROUTINE TO TRANSMIT A CHARACTER
0059 ;      TO DEVICE A
0060 ;
0061 ;      SUBROUTINE CHAROUT:
0062 ;      CALLING PARAMETERS: ASCII CHR. IN REG. A
0063 ;      RETURN CONDITION: CHARACTER SENT
0064 ;
0065 ;
0066 ;
0067 ;
(0000) 0068 ASTAT: EQU      ABASE+0 ;STATUS REGISTER A
(0001) 0069 ADATA: EQU      ABASE+1 ;DATA REGISTER A
(0080) 0070 TBE:   EQU      80H      ;BUFFER EMPTY BIT
0071 ;
1019 F5 0072 CHROUT: PUSH AF      ;SAVE THE CHARACTER
101A DB00 0073 SCHK:  IN  A,ASTAT ;READ STATUS
101C E680 0074      AND  TBE      ;TRANSMIT BFR. EMPTY?
101E 2BFA 0075      JR   Z,SCHK   ;LOOP UNTIL READY
1020 F1 0076      POP  AF      ;RETRIEVE CHARACTER
1021 D301 0077      OUT  ADATA,A  ;TRANSMIT IT
1023 C9 0078      RET                ;DONE

```

Character Input Subroutine

```

0079 ;
0080 ;
0081 ;
0082 ;
0083 ;      EXAMPLE 3 --- SUBROUTINE TO READ A CHARACTER
0084 ;      FROM DEVICE A
0085 ;
0086 ;      SUBROUTINE CHRIN:
0087 ;      CALLING PARAMETERS: NONE
0088 ;      RETURN CONDITION: ASCII CHR IN A
0089 ;      Z FLAG RESET
0090 ;
0091 ;
(0040) 0092 RDA:   EQU      40H      ;DATA AVAILABLE BIT
1024 DE00 0093 CHRIN: IN  A,ASTAT ;GET STATUS
1026 E640 0094      AND  RDA      ;RCVR DATA AVAIL?
1028 2BFA 0095      JR   Z,CHRIN ;LOOP TILL READY
102A DE01 0096      IN  A,ADATA  ;READ CHARACTER
102C C9 0097      RET                ;DONE
0098 ;
0099 ;
0100 ;
0101 ;

```

"Echo" Program

```
0102 ;      EXAMPLE 4 --- "ECHO" PROGRAM FOR DEVICE A
0103 ;
0104 ;
0105 ;
0106 ;
102D      0107      ORG      100H
           (0200)   0108 STACK: EQU      200H      ;STACK AREA
0100 310002 0109      LD      SP,STACK;SET STACK POINTER
0103 CD0010 0110      CALL     INIT      ;RESET TUART
0106 CD2410 0111 READ:  CALL     CHRIN    ;WAIT FOR AN INPUT
0109 CD1910 0112      CALL     CHROUT   ;NOW SEND IT BACK
010C 18FB   0113      JR      READ     ;LOOP
           0114 ;

0000 ERRORS
```


TU-ART Kit Assembly Information

If you purchased your TU-ART as a kit you will find the assembly to be straightforward. The locations of all the components are clearly marked on the pc board itself. Take care that the parts are positioned and oriented properly before they are soldered in place.

When installing the IC sockets note that no socket should be installed in the position marked "status socket." A socket is only used here if there is a need to change the assignment of status bits in the status word, as described on page 3 of this manual.

Also note that three different three-terminal regulators are used in the TU-ART: a 7805, 7812, and 7905.

These regulators are not interchangeable. Take caution that each regulator is installed only in the proper position.

It is important that the "+" end of the tantalum capacitors are oriented as marked on the pc board. The cathode (banded) end of the 1N4742 diode (D1) must be oriented to the left. The flat surfaces of transistor Q1 and Q2 should also face the left.

After soldering all parts in place, install the ICs in their sockets. BE VERY CAREFUL THAT EACH PIN OF EVERY IC IS PROPERLY ENGAGED IN ITS SOCKET. After installing the ICs carefully, inspect your work.

Parts List

Integrated Circuits			Part No.	Integrated Circuits			Part No.
IC 1	7442	010-0022		IC 25	74LS74	010-0055	
IC 2	74367	010-0080		IC 26	7805	012-0001	
IC 3	74368	010-0079		IC 27	7812	012-0002	
IC 4	5501	011-0005		IC 28	74900	010-0083	
IC 5	5501	011-0005		IC 29	74L04	010-0074	
IC 6	74367	010-0080		IC 30	74367	010-0080	
IC 7	74368	010-0079		IC 31	74367	010-0080	
IC 8	74LS11	010-0062		IC 32	74367	010-0080	
IC 9	75189	010-0077		IC 33	74367	010-0080	
IC 10	7406	010-0028		IC 34	74LS00	010-0069	
IC 11	75188	010-0076		IC 35	74LS157	010-0046	
IC 12	74LS74	010-0055		IC 36	74LS04	010-0066	
IC 13	74LS08	010-0064		IC 37	7905	012-0000	
IC 14	74367	010-0080		IC 38	7406	010-0028	
IC 15	74368	010-0079		IC 39	74LS04	010-0066	
IC 16	74367	010-0080		IC 40	74LS04	010-0066	
IC 17	74368	010-0079		IC 41	74LS74	010-0055	
IC 18	74367	010-0080		IC 42	74LS00	010-0069	
IC 19	74367	010-0080		IC 43	74LS03	010-0067	
IC 20	74367	010-0080		IC 44	74S373	010-0099	
IC 21	74367	010-0080		IC 45	74L04	010-0074	
IC 22	74LS32	010-0058		IC 46	74LS136	010-0050	
IC 23	74LS08	010-0064		IC 47	74LS136	010-0050	
IC 24	74LS11	010-0062		IC 48	74LS74	010-0055	

<u>Capacitors</u>		<u>Part No.</u>
C1	0.10 μ F	004-0030
C2	0.05 μ F	004-0027
C3	0.10 μ F	004-0030
C4	0.10 μ F	004-0030
C5	0.05 μ F	004-0027
C6	10.00 μ F	004-0032
C7	0.10 μ F	004-0030
C8	0.10 μ F	004-0030
C9	10.00 μ F	004-0032
C10	0.10 μ F	004-0030
C11	0.10 μ F	004-0030
C12	10.00 μ F	004-0032
C13	0.10 μ F	004-0030
C14	0.10 μ F	004-0030
C15	0.10 μ F	004-0030
C16	0.10 μ F	004-0030
C17	0.10 μ F	004-0030
C18	75.00 pF	004-0007
C19	75.00 pF	004-0007
C20	10.00 μ F	004-0032
C21	0.05 μ F	004-0027
C22	10.00 μ F	004-0032
C23	30.00 pF	004-0003
C24	0.10 μ F	004-0030
C25	0.10 μ F	004-0030
C26	0.10 μ F	004-0030
C27	0.10 μ F	004-0030
C28	10.00 μ F	004-0032
C29	10.00 μ F	004-0032
C30	0.10 μ F	004-0030
C31	0.10 μ F	004-0030
C32	300.00 pF	004-0015

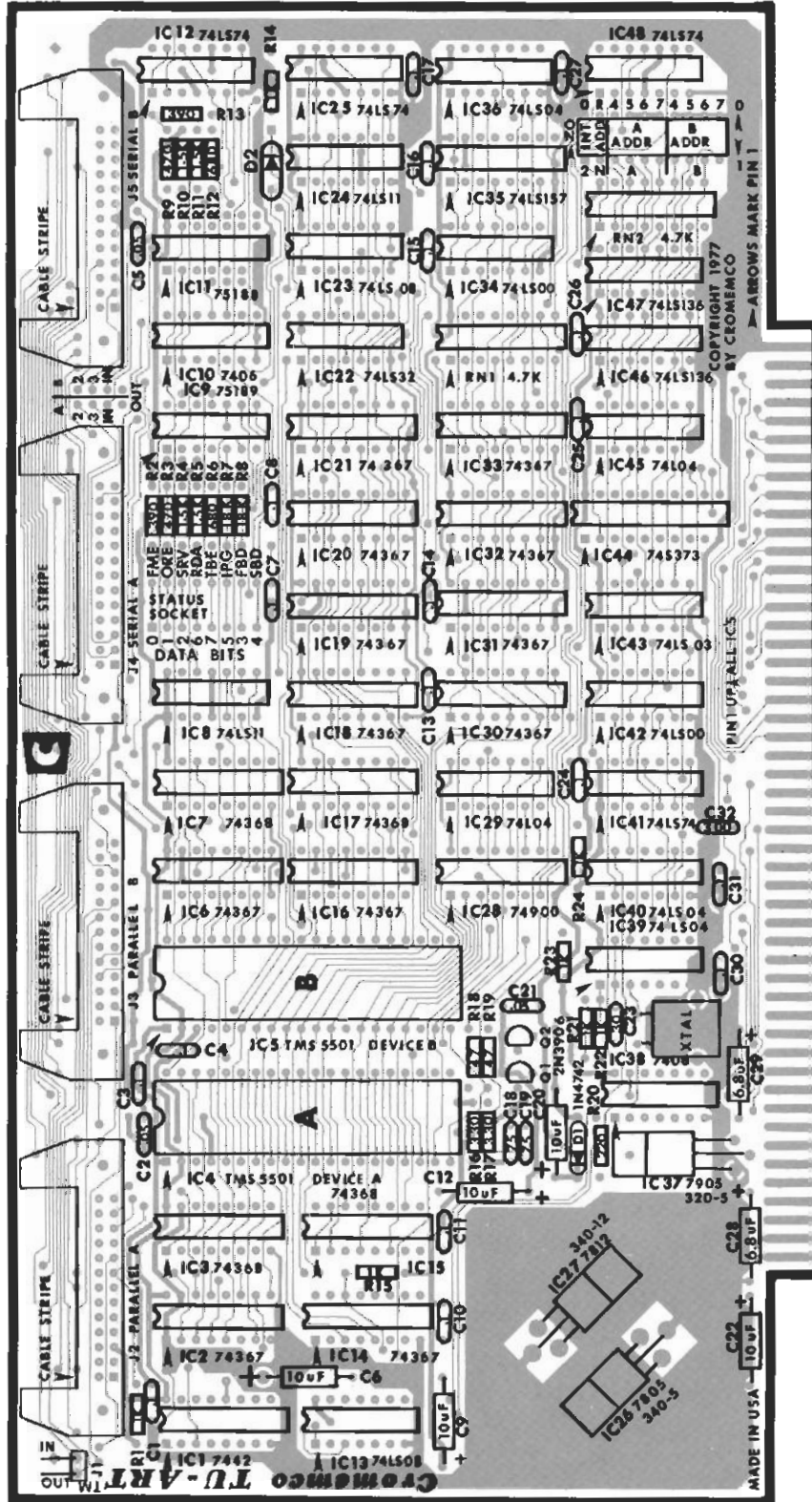
<u>Miscellaneous</u>		<u>Part No.</u>
1	Printed circuit board	020-0017
1	10 pole DIP switch	013-0003
4	26-pin cable sockets	017-0022
1	Heatsink	021-0017
5	6-32 screws	015-0000
5	6-32 nuts	015-0013
8	2-56 screws	015-0003
8	2-56 nuts	015-0014
1	Manual and Schematic Diagram	

<u>Resistors</u>		<u>Part No.</u>
R1	1K	001-0018
R2	390	001-0013
R3	470	001-0014
R4	1.5K	001-0020
R5	1.5K	001-0020
R6	680	001-0016
R7	18K	001-0032
R8	18K	001-0032
R9	470	001-0014
R10	1.5K	001-0020
R11	1.5K	001-0020
R12	680	001-0016
R13	390	001-0013
R14	1K	001-0018
R15	1K	001-0018
R16	330	001-0012
R17	330	001-0012
R18	47	001-0003
R19	47	001-0003
R20	220	001-0010
R21	1K	001-0018
R22	1K	001-0018
R23	1K	001-0018
R24	1K	001-0018
RN1	4.7K DIP (15 resistors)	003-0017
RN2	4.7K DIP (15 resistors)	003-0017

<u>IC Sockets</u>		<u>Part No.</u>
2	40 pin sockets	017-0006
1	20 pin sockets	017-0004
23	14 pin sockets	017-0001
21	16 pin sockets	017-0002

<u>Diodes/Transistors</u>		<u>Part No.</u>
D1	1N4742 Zener	008-0008
D2	1N914	008-0002
Q1	2N3906	009-0002
Q2	2N3906	009-0002

Parts Location Diagram



TU-ART
LEGEND
TUART-020-0017

REV F

Theory Of Operation

Introduction

The TU-ART has ten functional blocks supporting the TMS 5501s:

Power Supply Three IC regulators and a zener diode are used to generate ± 5 and ± 12 volts.

Crystal Controlled Clock An 8 MHz crystal oscillator is used as an on-board reference to control the internal state machine and to drive the $\phi 1$ and $\phi 2$ clocks of the TMS 5501s.

Address Select Two four-bit address comparators generate base address select signals when the four most significant device address bits of an input or output instruction agree with one of the two base address switch settings on the TU-ART. The base address select signals enable the appropriate TMS 5501 (depending on the current state of the Address Reverse multiplexer).

Function Decode The four function address pins on the TMS 5501s are driven by a read only memory addressed by the lower four bits of the S-100 address bus and status signal \overline{WO} . The ROM also generates signals for internal bus control.

State Sequencer The internal state sequencer starts up whenever the TU-ART is addressed and cycles the internal bus through an 8080 M3-like sequence. The sequence starts with a SYNC pulse to the 5501s while the internal data bus is strobed with status information appropriate to the type of cycle requested by the processor (IO read, IO write, or Interrupt Acknowledge); continues while data is written or read; and terminates after signalling READY to the processor.

Status Strobe Data bus pins $D0$ and $D1$ are controlled by the status strobe circuit during internal SYNC time to select the proper TMS 5501 operation.

Bus Multiplexers The internal data bus is time multiplexed (for status information), direction multiplexed (depending on the type of cycle: read or write), and path multiplexed (depending on the particular read-type function being performed) under control of the state generator and three-state bus drivers.

Serial Interface The TTL level serial output signal

from the TMS 5501s is converted to EIA RS/232 levels and to a teletype compatible current switch. Serial input may be from either EIA or teletype.

Parallel Interface TTL Bus buffers drive the parallel ports. Handshaking signals are controlled by the function decoder ROM.

Priority Chain A ripple priority resolver controls Data bit $D0$ (INTA) on each TMS 5501 during SYNC time. This prevents both devices from responding to an Interrupt Acknowledge cycle from the processor when both devices have active interrupt requests. The priority chain is expandable to multiple boards.

These ten blocks, which are listed in the approximate order of attack for troubleshooting, will be discussed in detail below.

Power Supply

The TMS 5501s require three power supplies: $V_{CC} = +5$, $V_{DD} = +12$, and $V_{BB} = -5$. A -12V source is created by zener diode D1 for the EIA line driver and receiver IC's. The +12 supply is used by the EIA line drivers, the TTY interface, and the $\phi 1$, $\phi 2$ clock drivers. The -5 supply is used by the TTY interface.

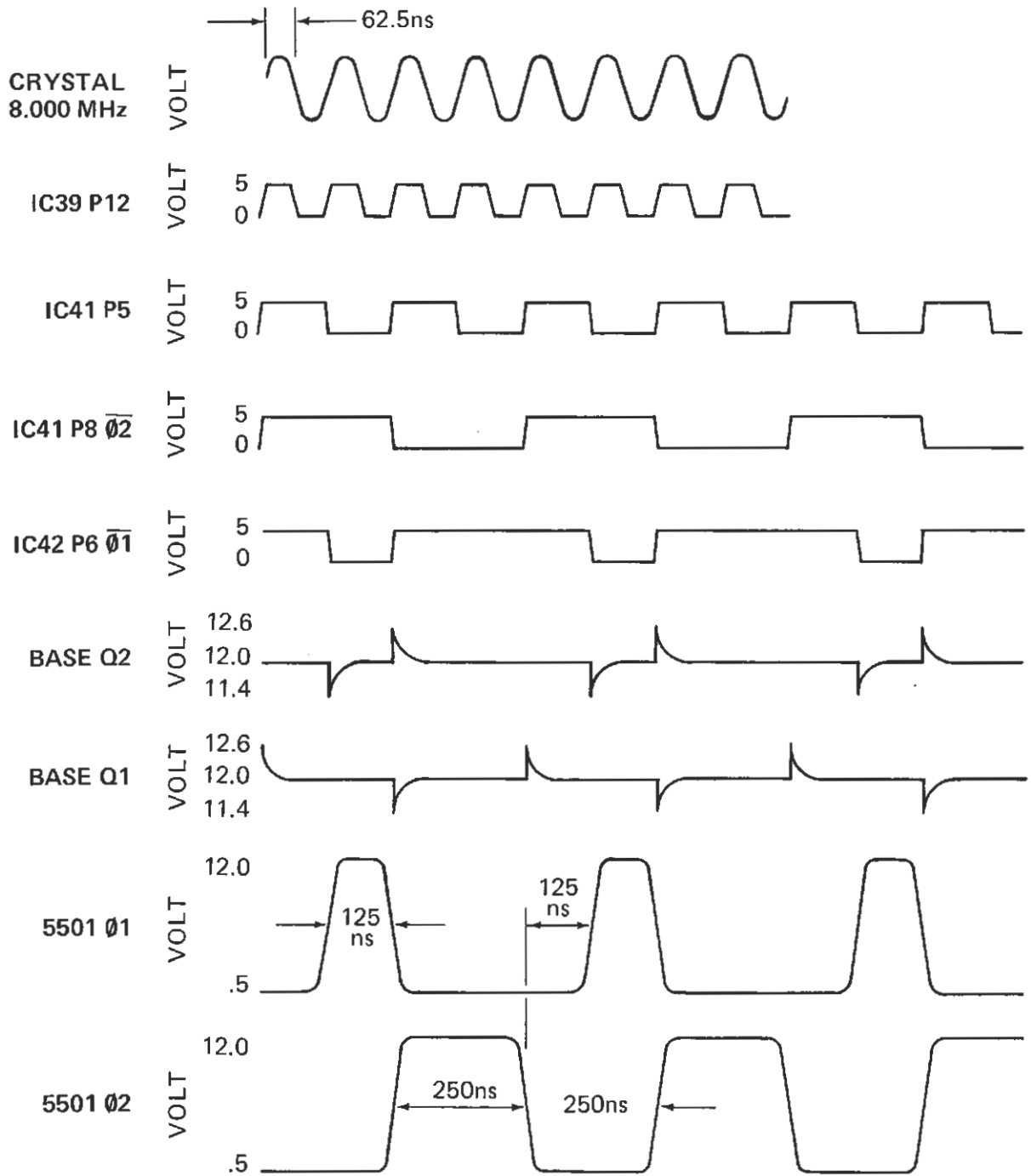
Crystal Controlled Clock

An 8.000 MHz crystal oscillator generates the TU-ART's timebase. A two-phase, 2MHz clock is derived from the IC41P8 ($\phi 2$ TTL) and IC42P6 ($\phi 1$ TTL). These signals are followed by high voltage inverters to generate the 12 volt clocks for the TMS 5501s. Transistors Q1 and Q2 form edge-active pullups for the inverters. A 75 pf - 330 ohm differentiator network on the base of each transistor couples a spike from the falling edge of the TTL input into the base. This switches the transistor on briefly and pulls the collector to +12 volts. A 47 ohm series resistor in the clock lead reduces ringing and overshoot. The rising edge of the TTL input turns on the 7406 inverter which pulls the collector of the transistor (now off) back to ground.

The state generator is clocked by $\phi 2$ TTL and $\phi 2$ TTL outputs from IC41P9 and IC41P8.

Clock waveforms are summarized in Figure 9.

Figure 9 Clock Waveforms



Address Select

Four-bit address comparison is performed by open collector exclusive or gates IC46 and IC47. Incoming address lines are deglitched and inverted by 74L04 inverters, then ex-ored with 4 bits from the DIP switch base address select positions. A closed switch matches a "1" on the Address bus; an open switch matches a "0" on the Address bus; when all four bits match and SOUT or SINP is active then the open collector wired — and node will go high. If the node at RN2P7 is high Base Address B is being selected. If RN2P5 is high Base Address A is being selected. When Device A is addressed IC43P6 pulls down the Device B select node to prevent bus conflict if both base addresses accidentally have been set equal. When either Device select is active IC40P10 goes low, enabling the Function Decoder ROM. Multiplexer IC35 performs Base Address reversing when its select pin goes low. In the normal case Device A select enables the CE driver of IC4, while Device B select enables the CE driver of IC5. Base address reversing enables IC5 in IC4's place and vice versa. The select pin of the MUX, IC35P1 is controlled by the signal applied to J2P1 or J3P1; or, if DIP Switch 2 is closed, by IC4P31 (the MSB of Device A's output parallel port).

Function Decode

TTL PROM IC28 is enabled when IC28P15 goes low (which occurs at the beginning of Input and Output cycles). IC28 is not enabled during interrupt acknowledge. When IC28 is enabled, it supplies function address signals to the 4 address pins of the 5501s. IC28P5 goes low during I/O operations involving the parallel ports and drives IC1, a decoder chip which generates Input and Output strobe signals. IC28P6 goes low during Output cycles. This signal controls the incoming bus buffers, generates a state-cycle request by pulling down IC24P10, and is strobed on the internal data bus bit D1 at SYNC time by IC43P3. IC28P7 goes low during INPUT cycles. This signal controls the outgoing bus drivers and generates a state-cycle request by pulling down IC24P9. This signal is not active (floats) during INTA cycles. IC28P9 goes low when the status port of the TMS 5501s is read. This signal controls an internal data path from the TMS 5501s to the output data latch, IC44.

State Sequencer

The heart of the TU-ART is the state sequencer, a four-stage shift register which times the status drivers and data in/out circuits to form an 8080-like internal

bus. The input to the state sequencer, IC25P2, is the signal from IC36P6 (IOREAD + IOWRITE + INTERRUPT ACKNOWLEDGE). While this signal is low, the state sequencer is held in a reset state by direct clear pins 1 and 13 of ICs 25 and 12. When the input goes high a high level will be shifted to IC25P5 at the first falling edge of ϕ_2 . IC23P8 then goes high, generating a SYNC signal at Pin 19 of both TMS 5501s and turning on status strobe driver IC18 through IC40P6 and IC43P1.

The state sequencer is now clocked by the rising edge of ϕ_2 , shifting a high level to IC25P9. IC23P10 goes low and remains low until the state sequencer is reset at the end of the I/O cycle. The status strobe drivers are shut off. The TMS 5501 now arranges internal data paths according to the address and status information it received during SYNC time. If the TU-ART is in an IOWRITE cycle the S-100 DO bus receivers IC18 and IC30 are enabled.

The state sequencer is clocked for a third time by ϕ_2 falling edge, propagating the high level at IC25P9 to IC12P5. The Gate input of the DI bus latch is raised (IC44P11). The PRDY driver IC16 is disabled, signalling "READY" to the CPU, and releasing the bus from its WAIT condition.

The final change in state occurs on the rising edge of ϕ_2 when IC12P8 goes low. This shuts off the DI latch gate. The state sequencer has completed its cycle and remains in this state until the processor terminates the I/O cycle.

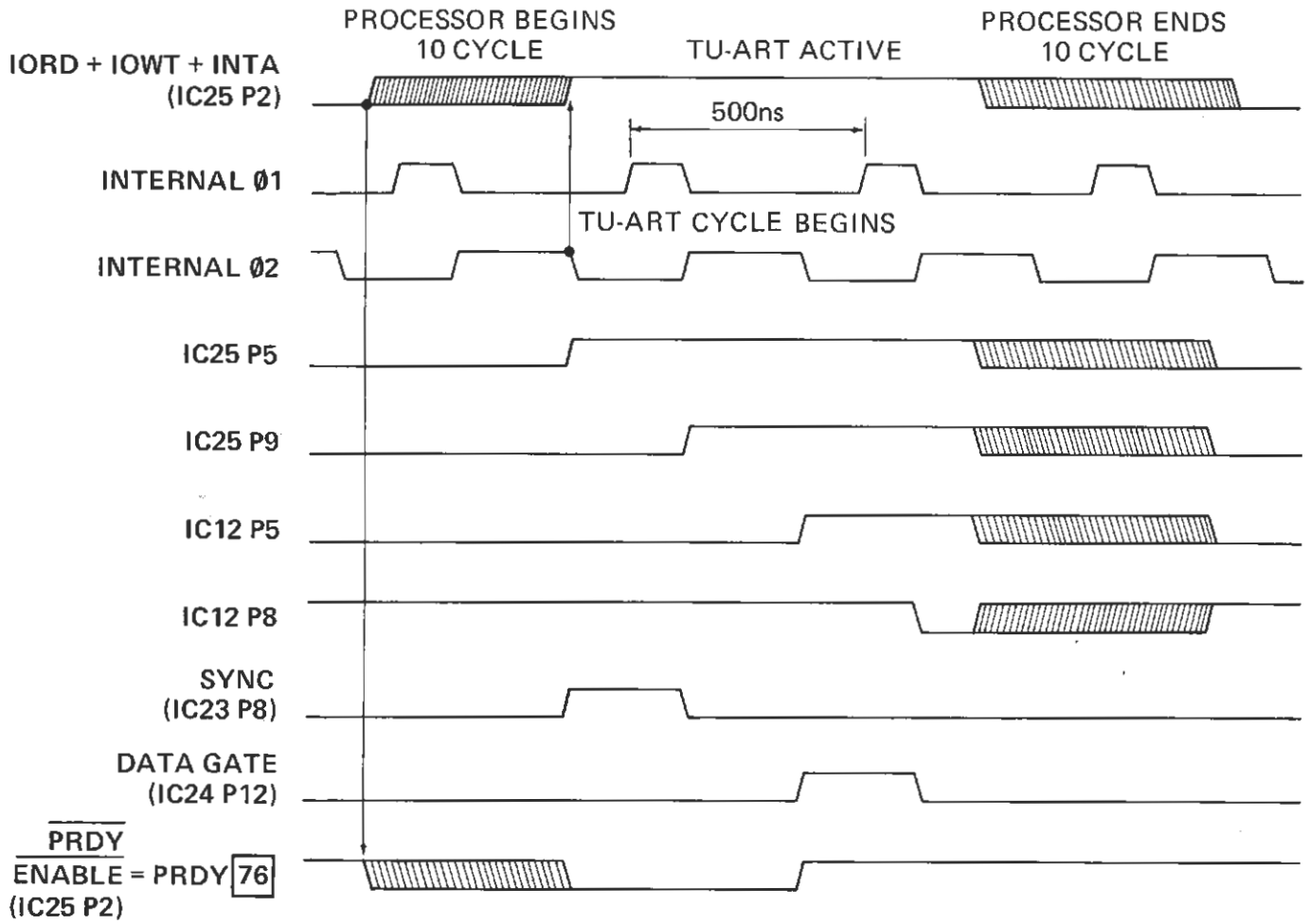
State sequencer timing is summarized in Figure 10.

Status Strobe

The TMS 5501s have no control pins for DBIN or \overline{WR} ; instead the ICs monitor bits D0 and D1 of the data bus during SYNC for status information. If D0 is high during SYNC, an Interrupt Acknowledge cycle is beginning, and the 5501 will send data to the bus during "T3" of the cycle. If D1 is high an IOREAD operation is beginning and the 5501 whose CE pin was high during SYNC will access the internal register addressed by A3-A0 and present data to the bus at "T3" of the cycle. If D1 is low during SYNC, an IOWRITE operation is beginning and the 5501 whose CE pin was high during SYNC will latch data from the bus during "T3" of the cycle.

Bit D1 is controlled by an open collector nand, IC 43, which is strobed by SYNC. Bit D0 is split into D0A and D0B so that INTA can be sent to the TMS 5501s individually. This is necessary because CE no longer selects the chip during interrupt acknowledge. Three-state driver IC18 controls D0A and D0B during SYNC.

Figure 10 State Sequencer Timing



Bus Multiplexers

The internal data bus which connects the two TMS 5501s will float while idle. At the beginning of a cycle it is strobed by the status drivers as described in the previous section. Following status the bus assumes one of five configurations (see Figure 11).

1. IOWRITE cycle: The S-100 DO bus receivers drive the internal data bus during WR · ($T \geq T_2$).
2. IOREAD (EXCEPT READ STATUS PORT): The internal data bus is buffered by a set of permanently-enabled 74367 sections, then passed through another set of 74367s, enabled by the assertion of READ and $\overline{\text{STATUS}}$. These 74367s drive the output latch IC44 which latches during T3 of the internal cycle. IC44 has three state output drivers built in which drive the S-100 D1 bus during DBIN · IOACTIVITY.
3. IOREAD STATUS: The buffered internal data bus passes through the status bit select pocket where bits from the 5501 may be arranged arbitrarily in order to control flag bit assignments. The "scrambled" bits are then passed through 74367s which have been enabled by $\overline{\text{STATUS}}$ going low. The output latch operates as before.
4. INTA MODE 0 (8080): During MODE 0 INTA the buffered internal data bus bits D3-D5 are routed through 74367s straight to the output latch. The remaining bits are passively pulled high.
5. INTA Mode 2 (Z-80): During a mode 2 INTA the buffered internal data bus bits D3-D5 plus INTA B plus A7, A6 and A5 from Base address A form inputs to a set of 74367s which drive the output latch.

Serial Interface

Transmit output from the TMS 5501 is inverted to RS232 levels by IC11 (1488). Output is also provided

from a 7406 high voltage inverter for grounding a 20 mA current source or for TTL level output. The RS232 output idles at -12v, the 7406 output idles at ground (conducting).

Receiver input is taken from an RS232 line receiver, IC9 (1489). IC9 converts RS232 levels to TTL. When a TTY keyboard is used, it switches the bias voltage on IC9 from +12 to -5 which causes TTL level switching at the output.

The output of the 1489 idles at +5 volts.

Parallel Interface

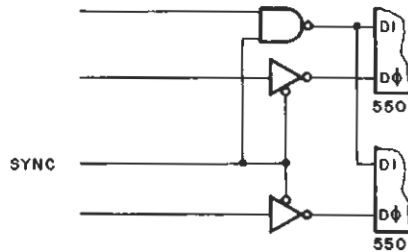
Parallel inputs to the TMS 5501 are TTL buffered by 74367s. Parallel outputs are inverted and buffered by 74368s to keep positive logic. The 74368s may be three stated by grounding $\overline{\text{DISABLE}}$. Strobe signals are decoded by IC1.

Priority Chain

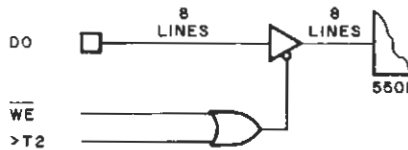
The TU-ART will respond to an Interrupt Acknowledge cycle from the processor when three conditions are satisfied: 1) The processor has raised SINTA, the Interrupt Acknowledge status signal, 2) one of the TMS 5501s is requesting interrupt (high level on IC4P23 or IC5P23), and 3) no other device higher up the priority chain is requesting an interrupt. The priority chain input at J1 is used to clear IC48, the INTA enable flip flop. Suppose IC4 (Device A) requested an interrupt at the same time as IC5 (Device B). If $\overline{\text{Priority IN}}$ was being held low by a higher priority TU-ART, both sections of IC48 would remain cleared, disabling IC23P5 and IC23P6 from generating SINTA status bits. When $\overline{\text{Priority IN}}$ is allowed to float to +5, the next M1 occurrence will clock the two sections of IC48 (M1 may be the start of an INTA cycle, though it doesn't have to be). Both IC48P5 and IC48P9 go high momentarily because both DEVICE A and Device B have interrupts pending. However IC48P6 ripples through IC13P3 to force IC48P9 low in exactly the same manner as $\overline{\text{PRIORITY IN}}$ from J1. Thus only DEVICE A actually receives the INTA status bit and no bus conflict is allowed.

Figure 11 Bus Signal Flow

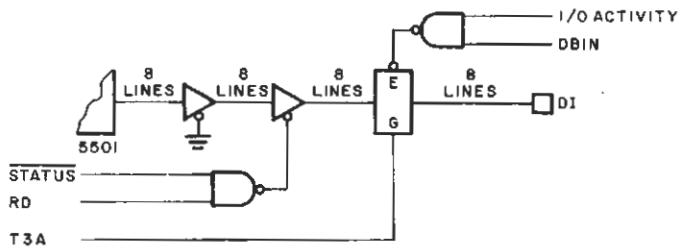
CYCLE BEGINS STATUS



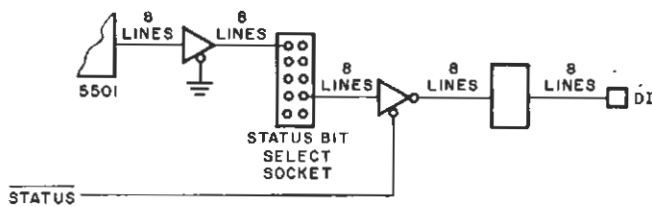
I/O WRITE



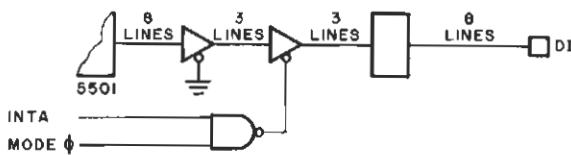
I/O READ (NOT STATUS)



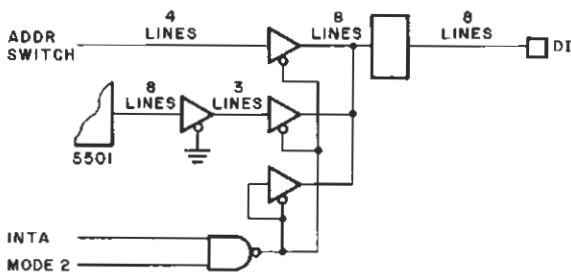
I/O READ STATUS



INTA 8080 MODE 0



INTA MODE 2



Application Notes

Cromemco TU-ART Interface For The Oliver Audio Engineering Model OP-80A Paper Tape Reader (or any device requiring a parallel port with hand shake)

This routine uses the TU-ART Sense line as a DATA
READY flag for the parallel port:

0000:	F3	DI	DISABLE INTERRUPTS
0001:	3E 04	MVI A,04H	GET INT. MASK FOR SENS
0003:	D3 03	OUT 03	OUTPUT IT
0005:	DB 00	IN 00	GET STATUS
0007:	E6 20	ANI 20	ISOLATE INT. PENDING BIT.
0009:	CA 01 00	JZ 0001H	WAIT FOR NEW DATA
000C:	DB 03	IN 03	CLEAR CAUSE OF INT.
000E:	DB 04	IN 04	GET DATA FROM PARALLEL PORT & GENERATE NACK

*User routine
goes here.
Example:*

0010:	CD 12 E1	CALL PCHR	PRINT ASCII CHAR.
0013:	C3 00 00	JMP 0000H	DO AGAIN

CONNECT $\overline{\text{RDA}}$ TO $\overline{\text{SENSA}}$ LINE (J2 Pin 15)

CONNECT $\overline{\text{INPSTBA}}$ (J2 Pin 2) TO NACK

CONNECT THE EIGHT DATA LINES TO INPUT BITS 0-7 ON J2
(Pins 4-7 and 10-13)

CONNECT GND TO SIGNAL GND (J2 Pin 14)

CONNECT +5V TO VCC (Pin 3)

Using The TU-ART In 4FDC Systems

The TU-ART is often used to provide additional I/O facilities in systems based around the Cromemco 4FDC Disk Controller. Since the 4FDC has a built-in I/O port which is addressed at 00H (base address), the TU-ART will conflict if the usual addresses of 00H and 50H are used. We recommend 20H and 80H for Device A base

address and Device B base address, respectively.

If CDOS is used, the TU-ART will be initialized for you. If CDOS is not used you must be certain to initialize both sections of the TU-ART (even if only one section is used) to prevent spurious interrupts.

ASCII Character Codes

DEC	CHAR	DEC	CHAR	DEC	CHAR	DEC	CHAR
000	CTRL-@	033	!	066	B	099	c
001	CTRL-A	034	"	067	C	100	d
002	CTRL-B			068	D	101	e
003	CTRL-C	035	#	069	E	102	f
004	CTRL-D	036	\$			103	g
		037	%	070	F	104	h
005	CTRL-E	038	&	071	G		
006	CTRL-F	039	'	072	H		
007	CTRL-G			073	I	105	i
008	BS	040	(074	J	106	j
009	HOR. TAB	041)			107	k
		042	*	075	K	108	l
010	LINE FEED	043	+	076	L	109	m
011	VERT. TAB	044	,	077	M		
012	FF			078	N	110	n
013	CR	045	-	079	O	111	o
014	CTRL-N	046	.			112	p
		047	/	080	P	113	q
015	CTRL-O	048	0	081	Q	114	r
016	CTRL-P	049	1	082	R		
017	CTRL-Q			083	S	115	s
018	CTRL-R	050	2	084	T	116	t
019	CTRL-S	051	3			117	u
		052	4	085	U	118	v
020	CTRL-T	053	5	086	V	119	w
021	CTRL-U	054	6	087	W		
022	CTRL-V			088	X	120	x
023	CTRL-W	055	7	089	Y	121	y
024	CTRL-X	056	8			122	z
		057	9	090	Z	123	{
025	CTRL-Y	058	:	091	[124	
026	CTRL-Z	059	;	092	\		
027	CTRL-[093]	125	}
028	CTRL-\	060	<	094	↑	126	-
029	CTRL-]	061	=			127	DEL
		062	>	095	—		
030	CTRL-↑	063	?	096	,		
031	CTRL-—	064	@	097	a		
032	SPACE	065	A	098	b		

CTRL = Control Character
 CR = Carriage Return
 DEL = Rubout

BS = Backspace
 FF = Form Feed

Warranty

Your factory-built TU-ART is warranted against defects in materials and workmanship for a period of 90 days from the day of delivery. We will repair or replace products that prove to be defective during the warranty period provided that they are returned to Cromemco. No other warranty is expressed or implied. We are not liable for consequential damages.

Should your factory-built TU-ART fail after the warranty period, it will be repaired, provided that it is returned to Cromemco, for a fixed service fee. We reserve the right to refuse to repair any product that in our opinion has been subject to abnormal electrical or mechanical abuse. The service fee is currently \$70 and is subject to change.

Your assembled TU-ART kit will be repaired, provided that it is returned to Cromemco, for a fixed service fee. We reserve the right to refuse to repair any kit that in our opinion has not been assembled in a workmanlike manner or has been subject to abnormal electrical or mechanical abuse. Payment of the service fee must accompany the returned merchandise. The service fee is currently \$70 and is subject to change.