

NOTE:

1. P2 CONNECTOR HOUSING P/N  
AMP 1-480424-0 (1 REQ)  
MITS 101640
2. P2 CONNECTOR PINS P/N  
AMP 60617-4 (\* REQ)  
MITS 101640
3. P7 CONNECTOR HOUSING P/N  
AMP 1-480339-0 (1 REQ)  
MITS 101636
4. P7 CONNECTOR PINS P/N  
AMP 60618-4 (\* REQ)  
MITS 101634
5. P7 SHORTING STRIP P/N  
AMP 60843-1 (\* REQ)  
MITS 101641
6. S7 CONNECTOR HOUSING P/N  
AMP 1-480285-0 (1 REQ)  
MITS 101636
7. S7 CONNECTOR PINS P/N  
AMP 60617-4 (\* REQ)  
MITS 101640

IC	POWER CONNECTION		
	TYPE	VCC	GND OTHER
C	74367	16	8
D	7406	14	7
B	7410	14	7
A	7402	14	7

Figure 4-16.  
Minidisk Buffer/Power Supply

1 2 3 4 5 6 7 8

1 2 3 4 5 6 7 8

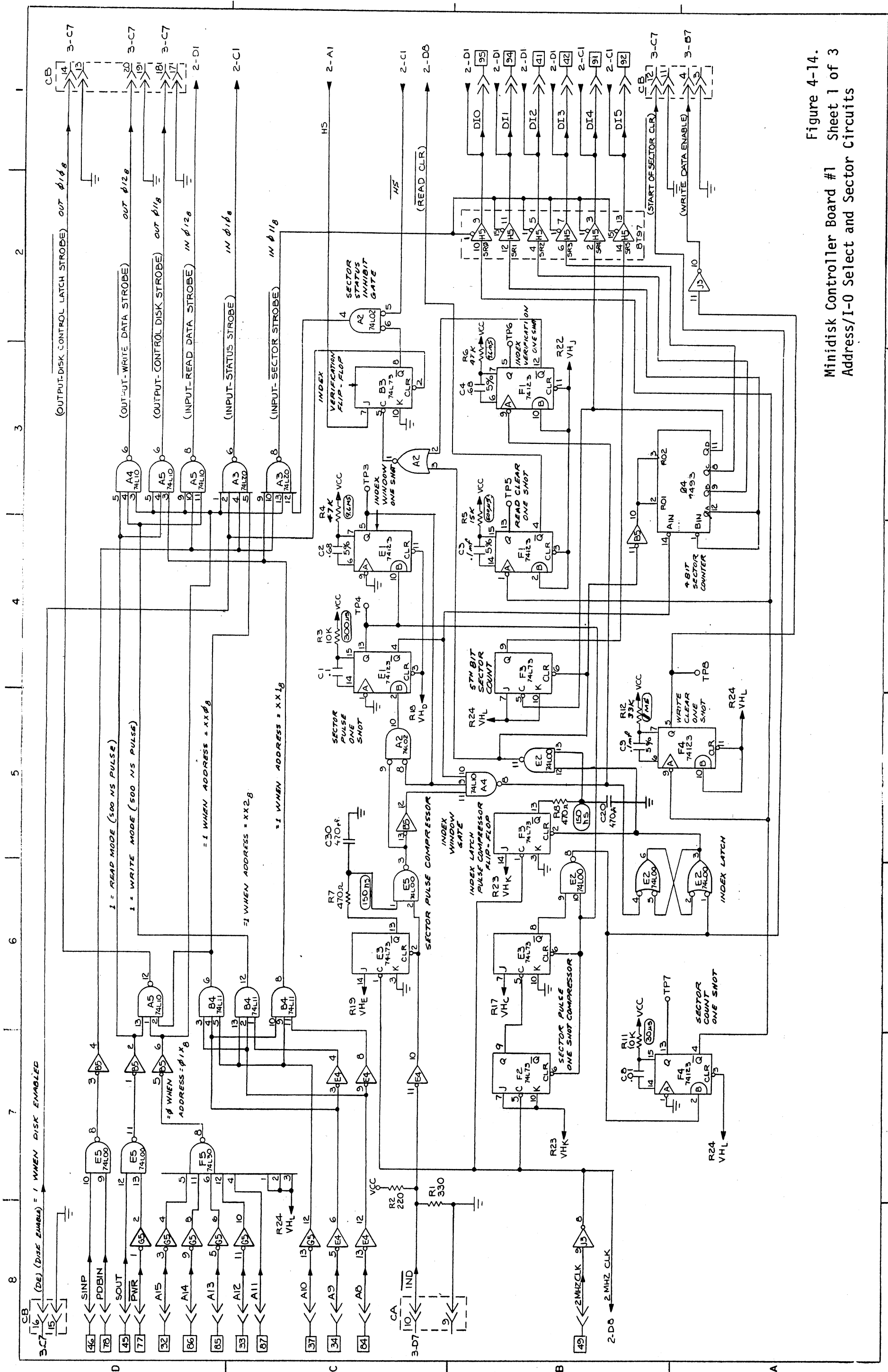
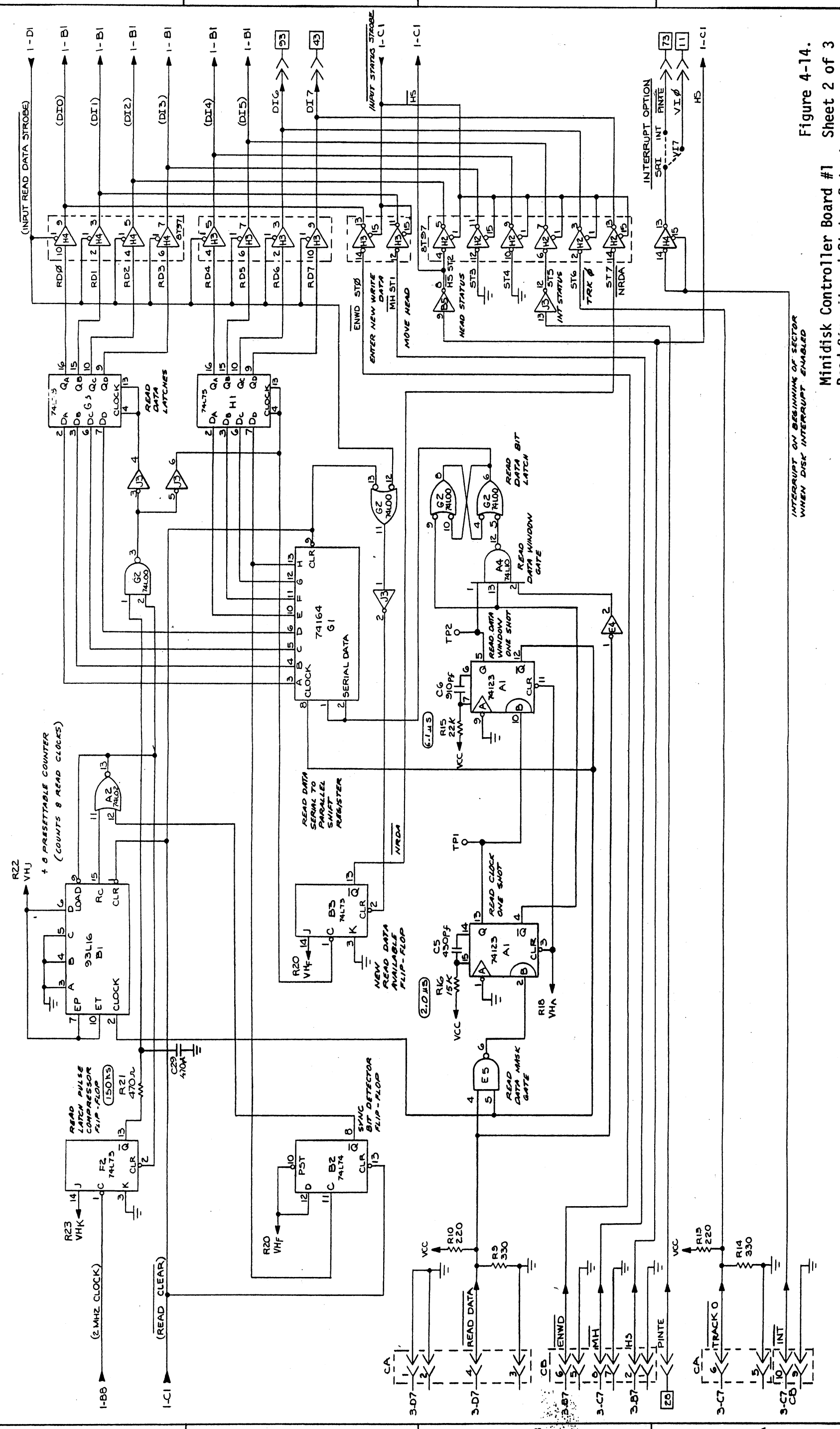


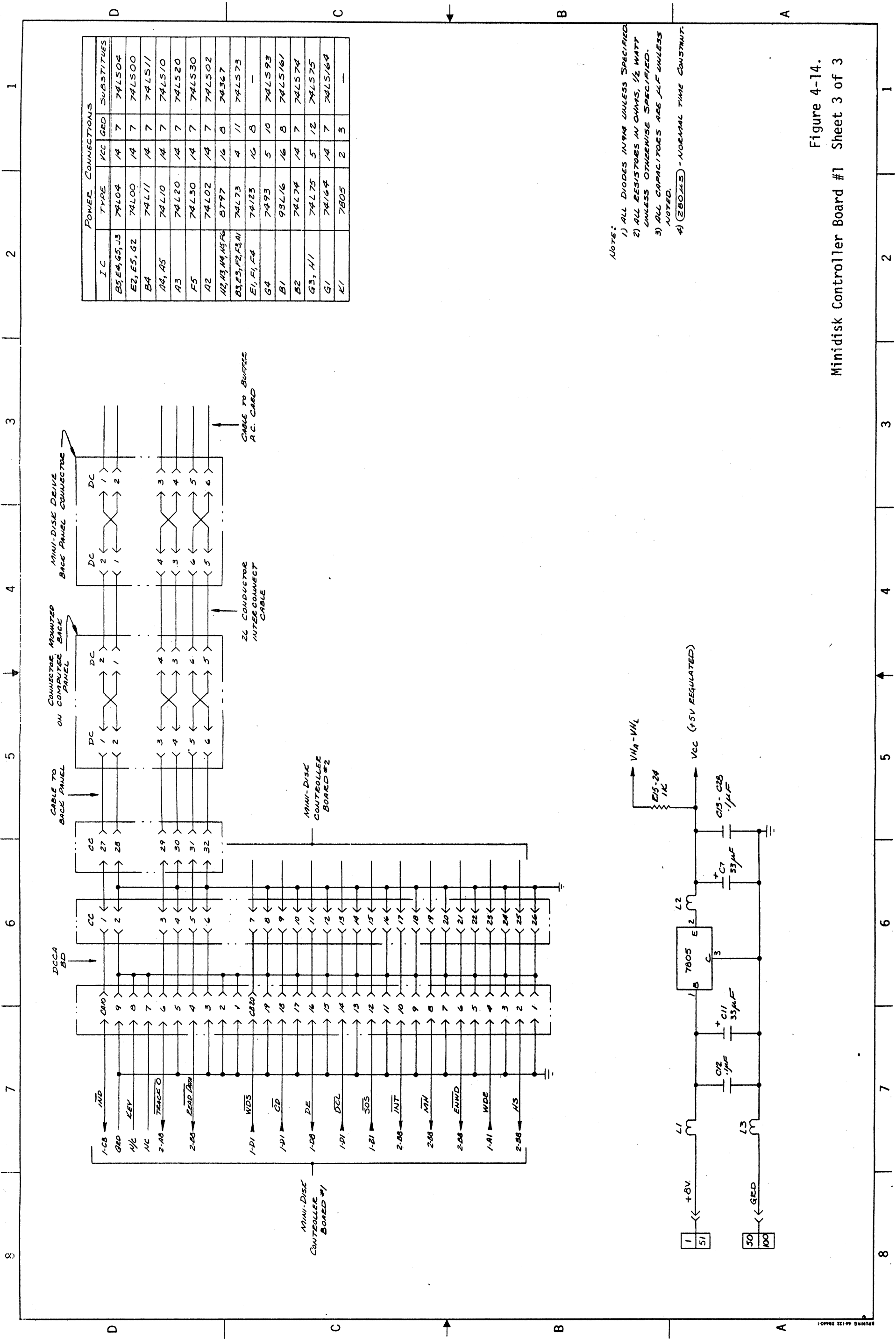
Figure 4-14.  
Minidisk Controller Board #1 Sheet 1 of 3  
Address/I-O Select and Sector Circuits

1 2 3 4 5 6 7 8



INTERRUPT ON BEGINNING OF SECTOR WHEN DISK INTERRUPT ENABLED

Figure 4-14. Minidisk Controller Board #1 Sheet 2 of 3 Read Circuit and Status Output



POWER CONNECTIONS			
I.C.	TYPE	VCC	GED
B5, E4, G5, J5	74104	14	7
E2, E5, G2	74100	14	7
B4	74111	14	7
A4, A5	74110	14	7
A3	74120	14	7
F5	74130	14	7
A2	74102	14	7
A2, A3, A4, A5, A6	8797	16	8
B3, E3, F2, F3, A1	74173	4	11
E1, F1, F4	74123	16	8
G4	7493	5	10
B1	93116	16	8
B2	74174	14	7
G3, H1	74175	5	12
G1	74164	14	7
K1	7805	2	5

NOTE:  
 1) ALL DIODES IN 994 UNLESS SPECIFIED  
 2) ALL RESISTORS IN OHMS, 1/2 WATT UNLESS OTHERWISE SPECIFIED.  
 3) ALL CAPACITORS ARE  $\mu$ F UNLESS NOTED.  
 4) (88045) - NORMAL TIME CONSTANT.

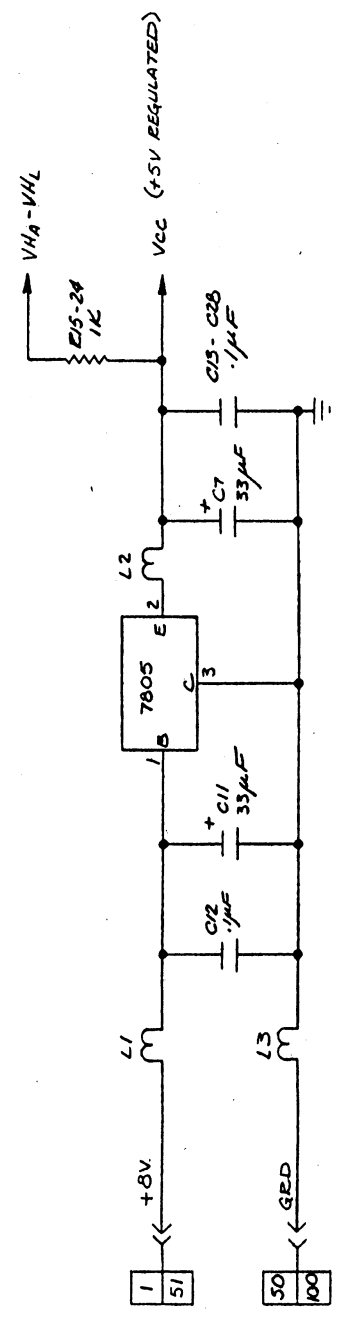


Figure 4-14.  
 Minidisk Controller Board #1 Sheet 3 of 3

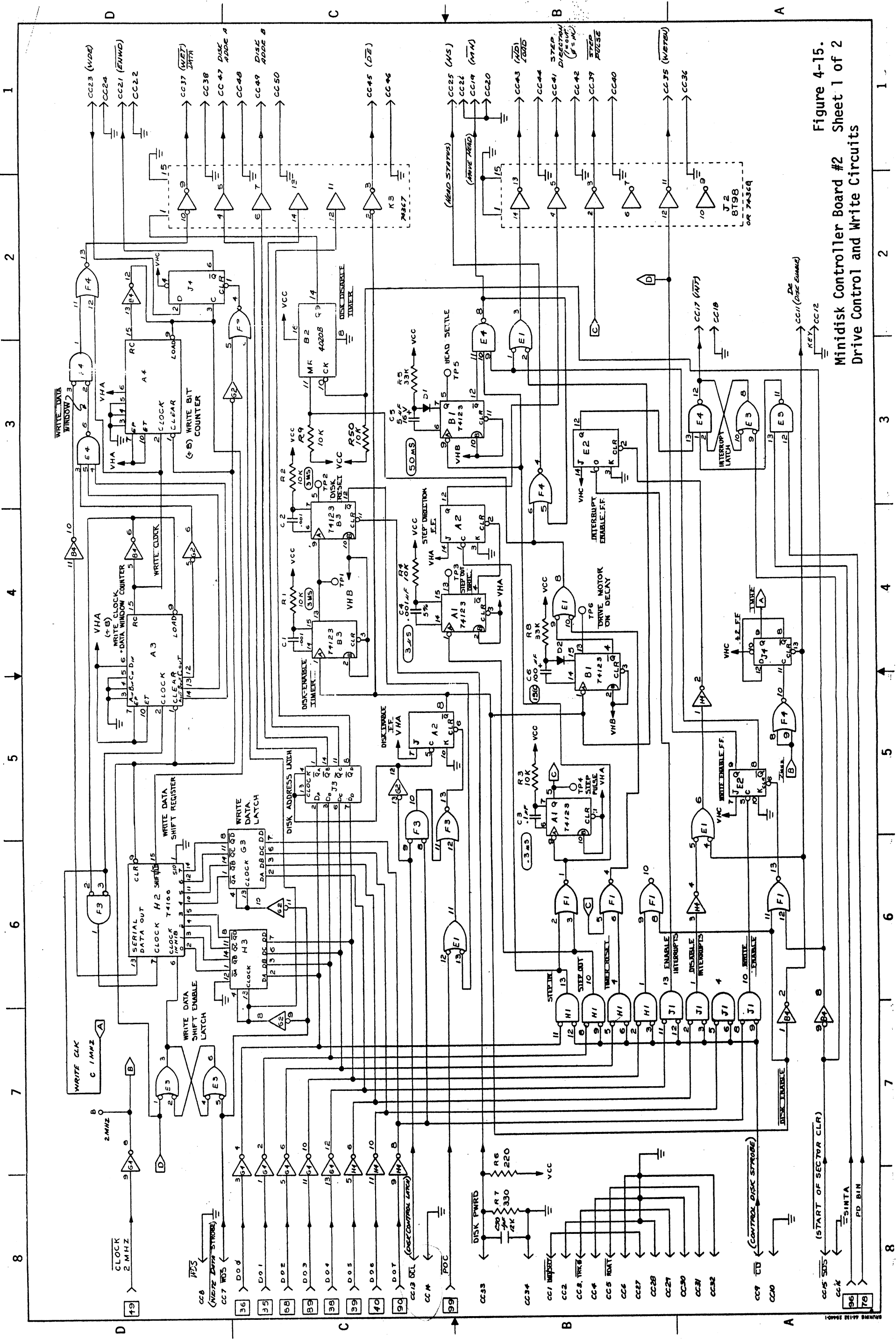


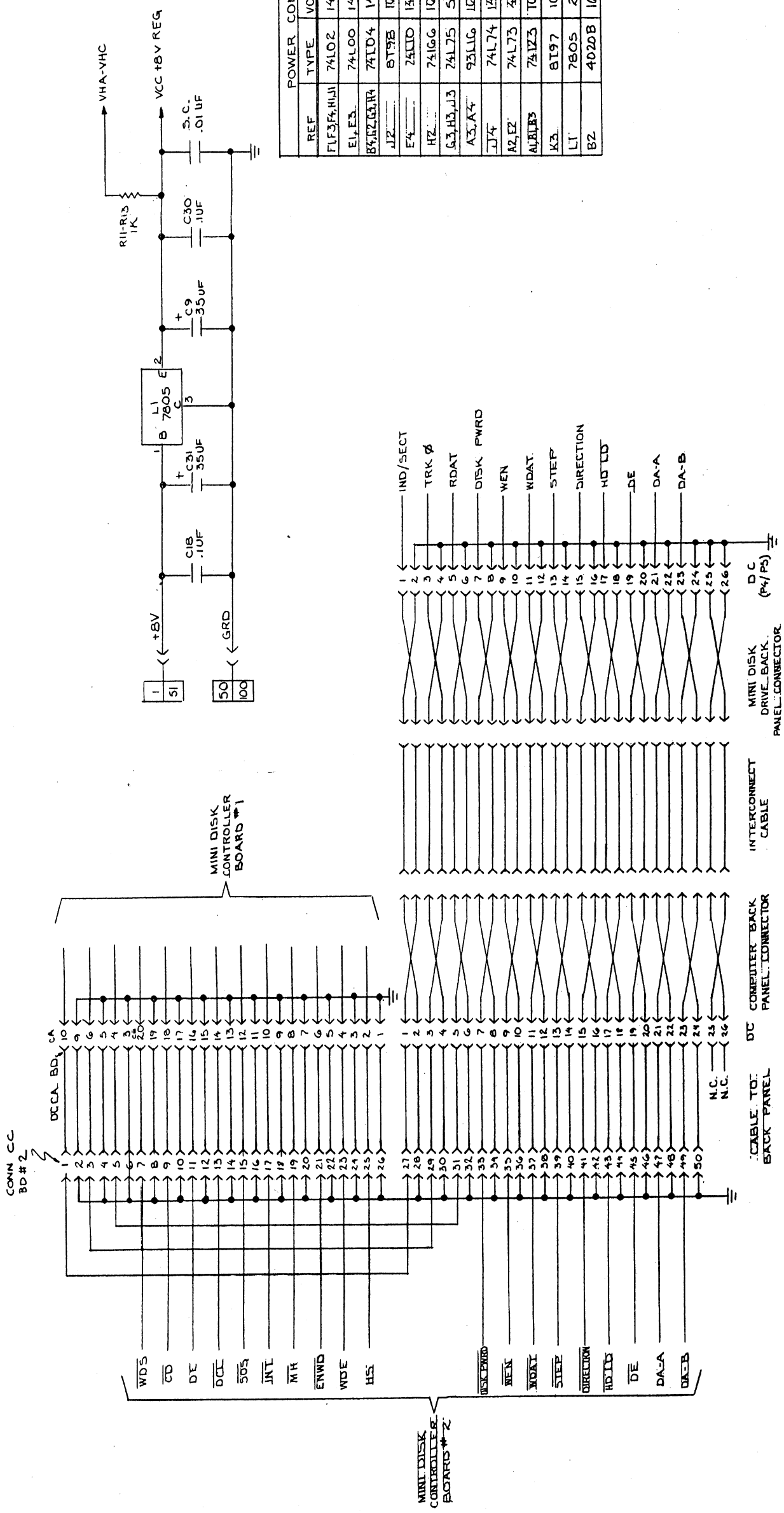
Figure 4-15.  
Minidisk Controller Board #2 Sheet 1 of 2  
Drive Control and Write Circuits

1 2 3 4 5 6 7 8

1 2 3 4 5 6 7 8

MINI

1 2 3 4 5 6 7 8



REF	TYPE	VCC	GRD	SUBSTITUTIONS
F1,F3,F4,H1,H2	74102	14	7	74LS02
E1,E3	74100	14	7	74LS00
B4,B2,B3,R4	74104	14	7	74LS04
J2	8T98	16	8	74LS16B
F4	74110	14	7	74LS10
H2	74166	16	8	74LS166
G3,H3,J3	74175	5	12	74LS75
A3,A4	93116	16	8	74LS161
J4	74174	14	7	74LS74
A2,E2	74173	4	11	74LS73
A1,B1,B3	74173	16	8	
K3	8T97	16	8	74367
L1	7805	2	3	
B2	4020B	16	8	

**MINI-DISK CONTROLLER BOARD #2 INTERCONNECTIONS**

- NOTES:**
- 1) ALL RESISTORS 1/2W UNLESS SPECIFIED
  - 2) ALL CAPACITORS 10% TOL
  - 3) ALL DIODES 1N914
  - 4) 603 NOMINAL TIME CONSTANT

Figure 4-15.  
Minidisk Controller Board #2  
Disk Drive Control

1 2 3 4 5 6 7 8