



A Division of Pertec Computer Corporation  
6741 VARIEL AVENUE - CANOGA PARK - CALIFORNIA 91303 - PHONE: (213) 348-1391  
TELEX/TWX 910-494-2788

SCHEMATIC AND LOGIC DIAGRAMS

FOR

FD3700 AND FF37 SERIES

FLOPPY DISK SYSTEMS

AND

CONTROLLER/FORMATTER CF3700

March, 1977



A Division of Persec Computer Corporation  
5741 VARIEL AVENUE - CAROLINA PARK - CALIFORNIA 91303 - PHONE: (818) 248-1301  
TELEX/TWX 910-484-2788

SCHEMATIC AND LOGIC DIAGRAM  
FOR

FD3700 AND FF37 SERIES  
FLOPPY DISK SYSTEMS

NOTICE

Information contained within this document may not be reproduced, distributed or disclosed in full or in part by any person without prior approval of iCOM.

## CONTENTS

This section contains the following schematics:

### Controller/Formatter

Z1 200028-200

Z2 200058-200

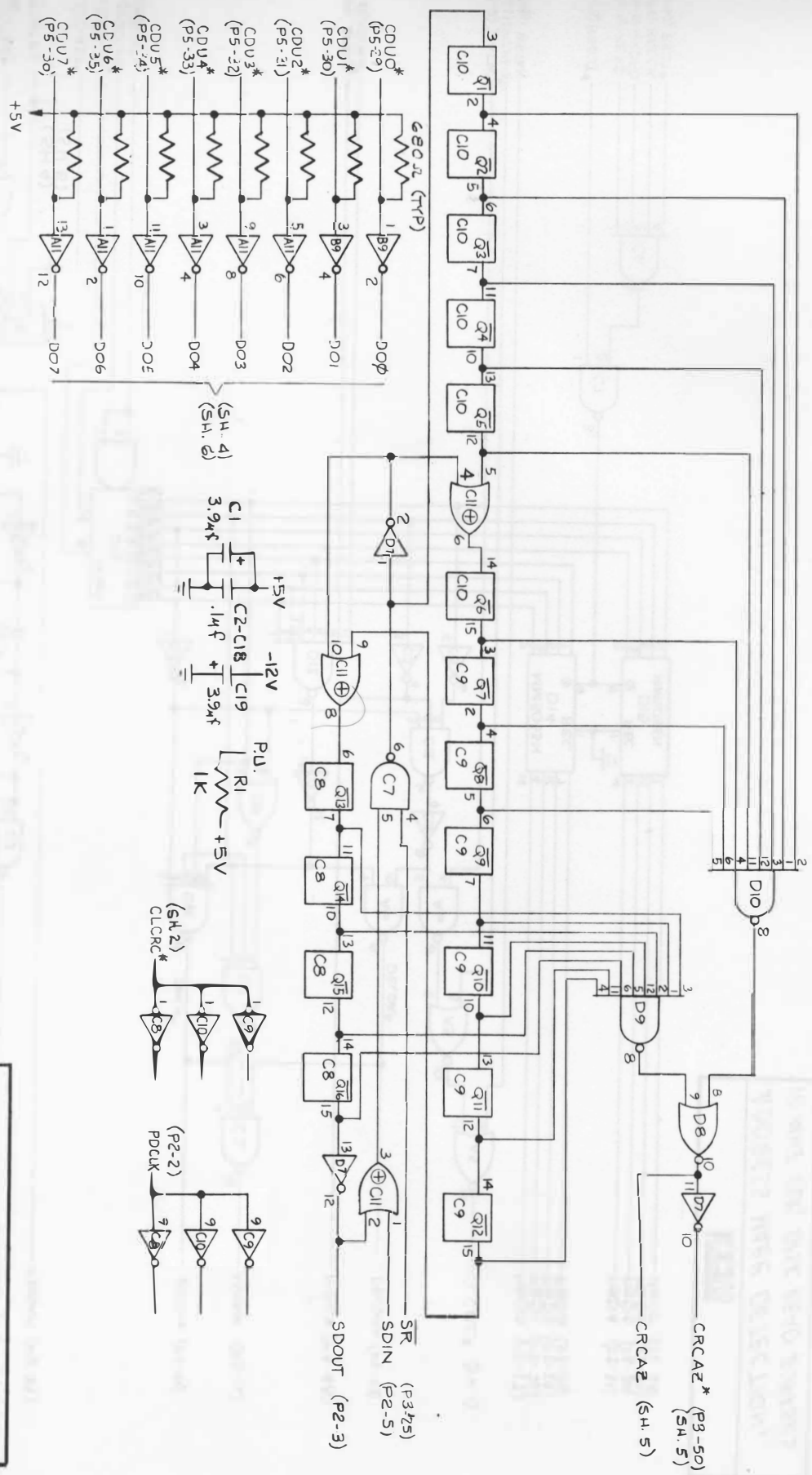
Power Supply PS1010

Disk Drive System 100034-200A

FD Basic II A 600265

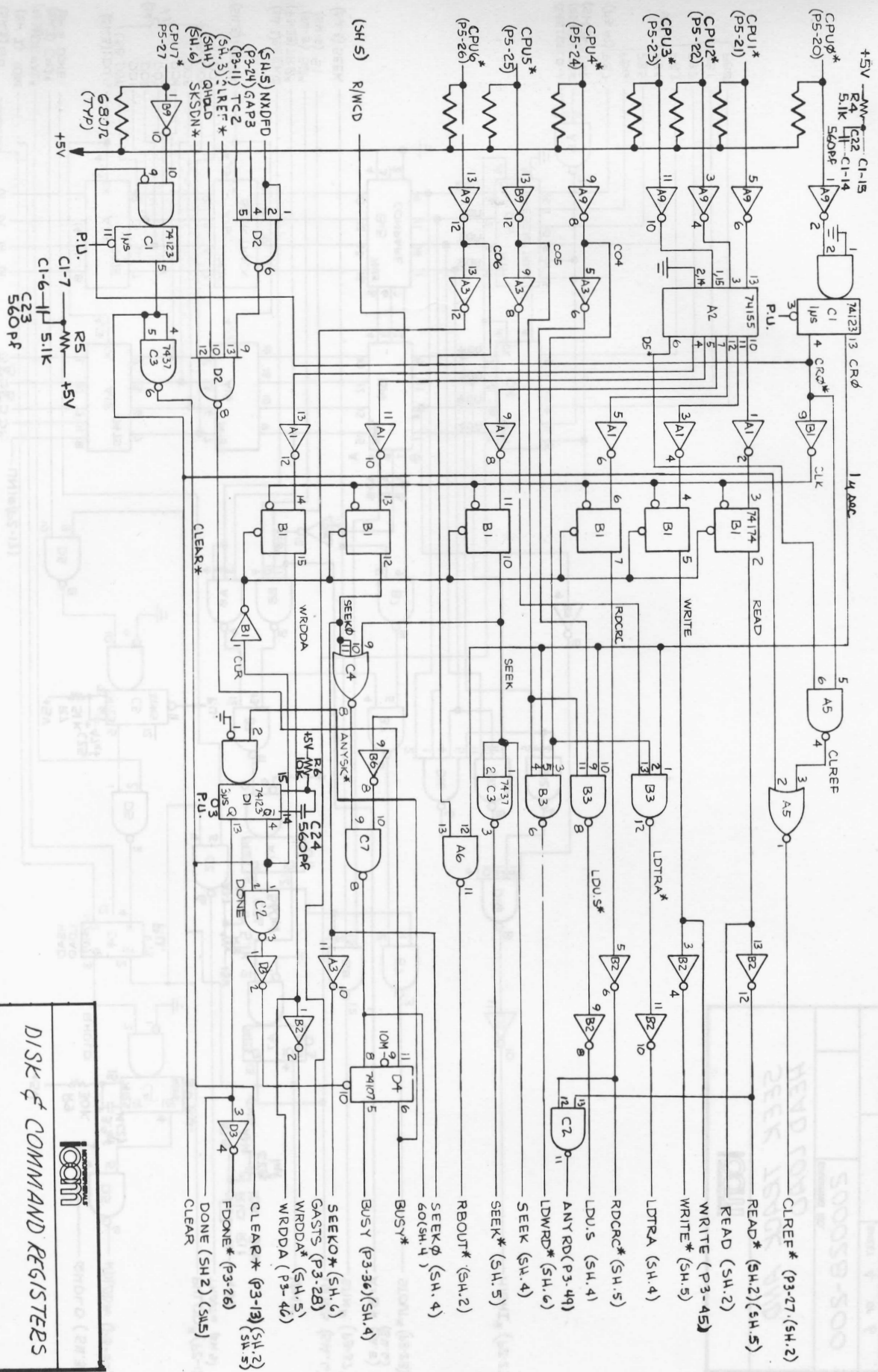
FD Basic II A PCBA 600266




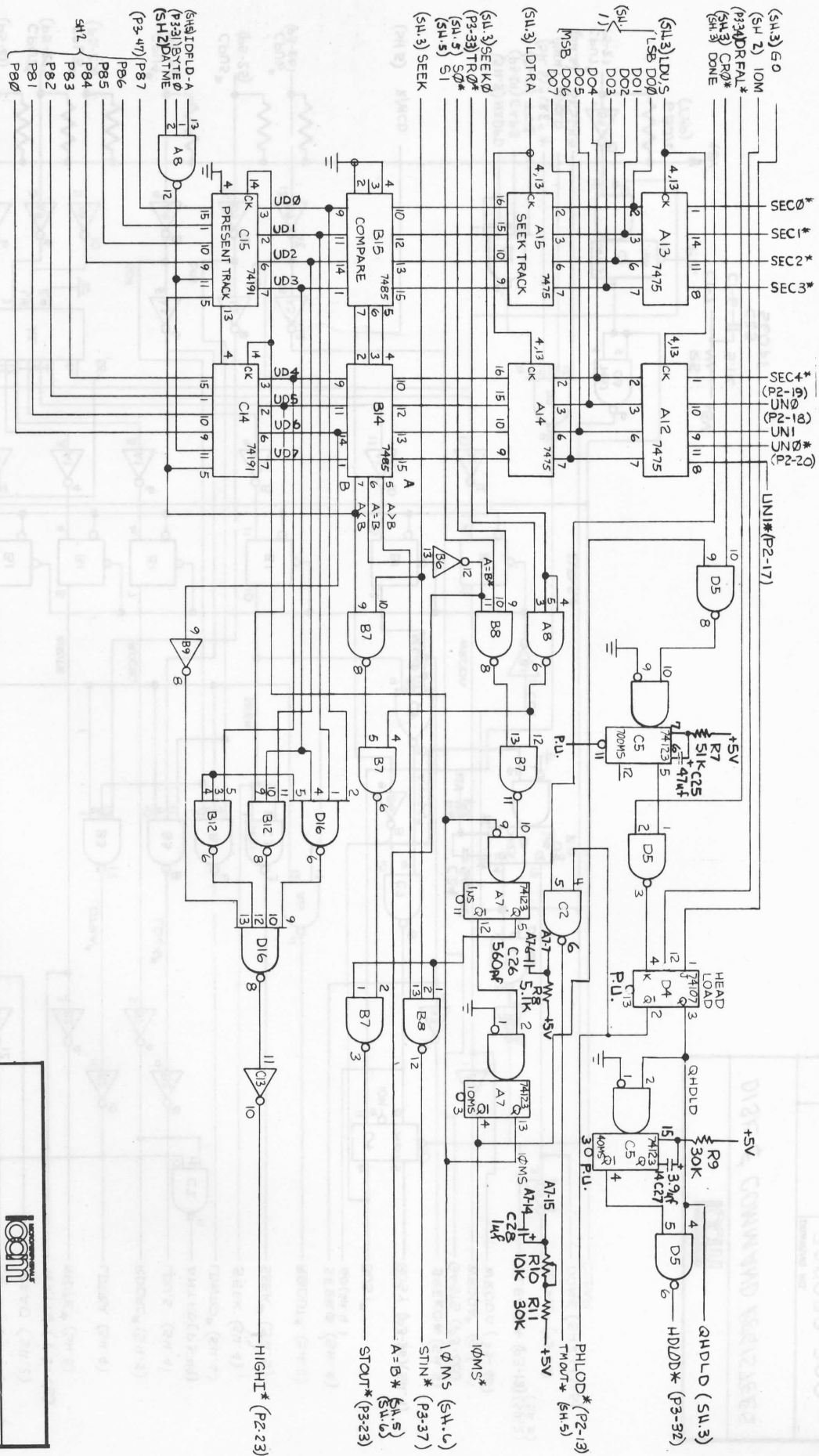


CRC REGISTER AND DATA BUFFER (FROM CRC)	
DRAWING NO.	200028-200C
SHEET 1	OF 6





	
<b>DISK COMMAND REGISTERS</b>	
DRAWING NO.	200028-200
SHEET	3 OF 6

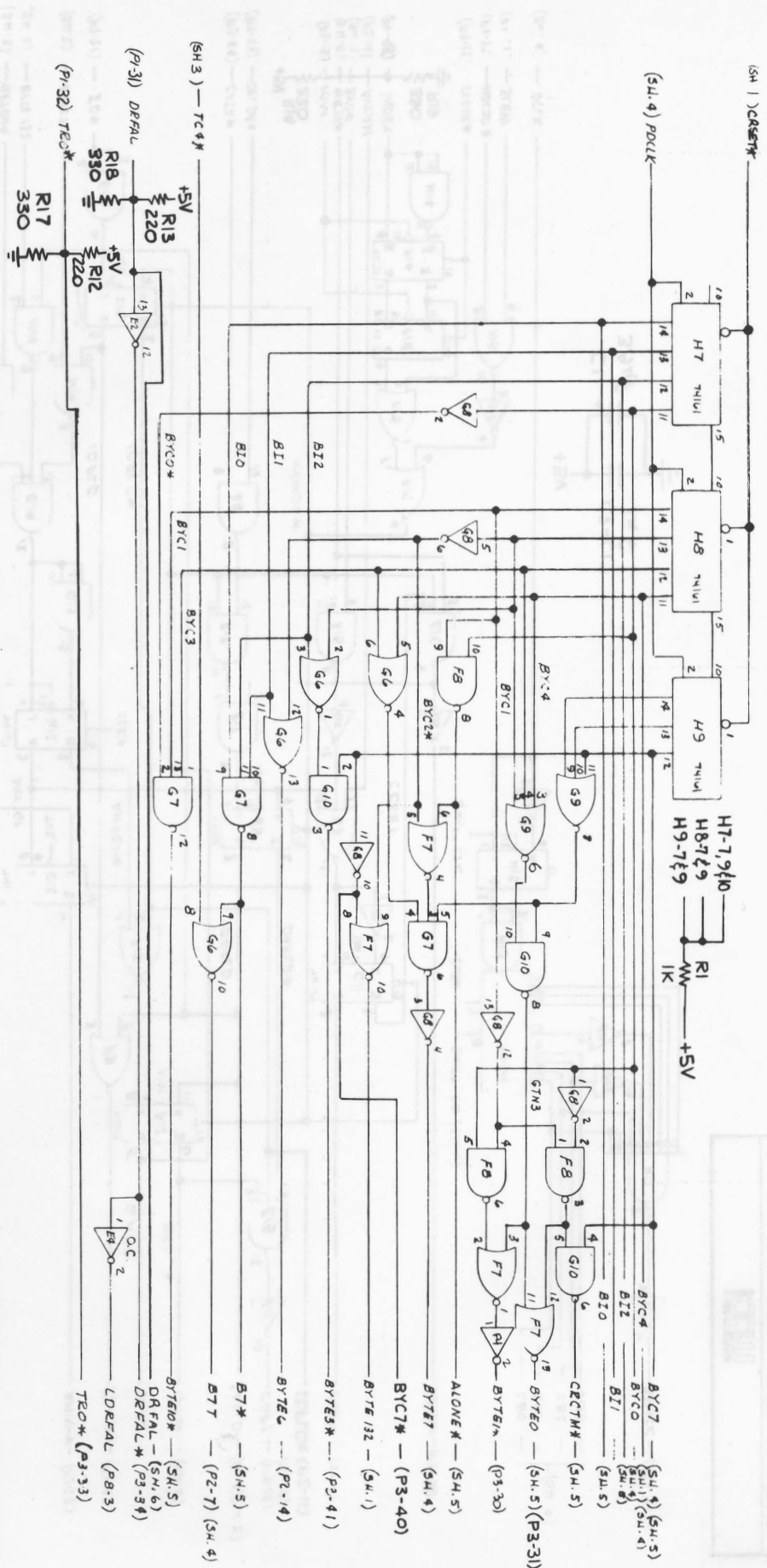







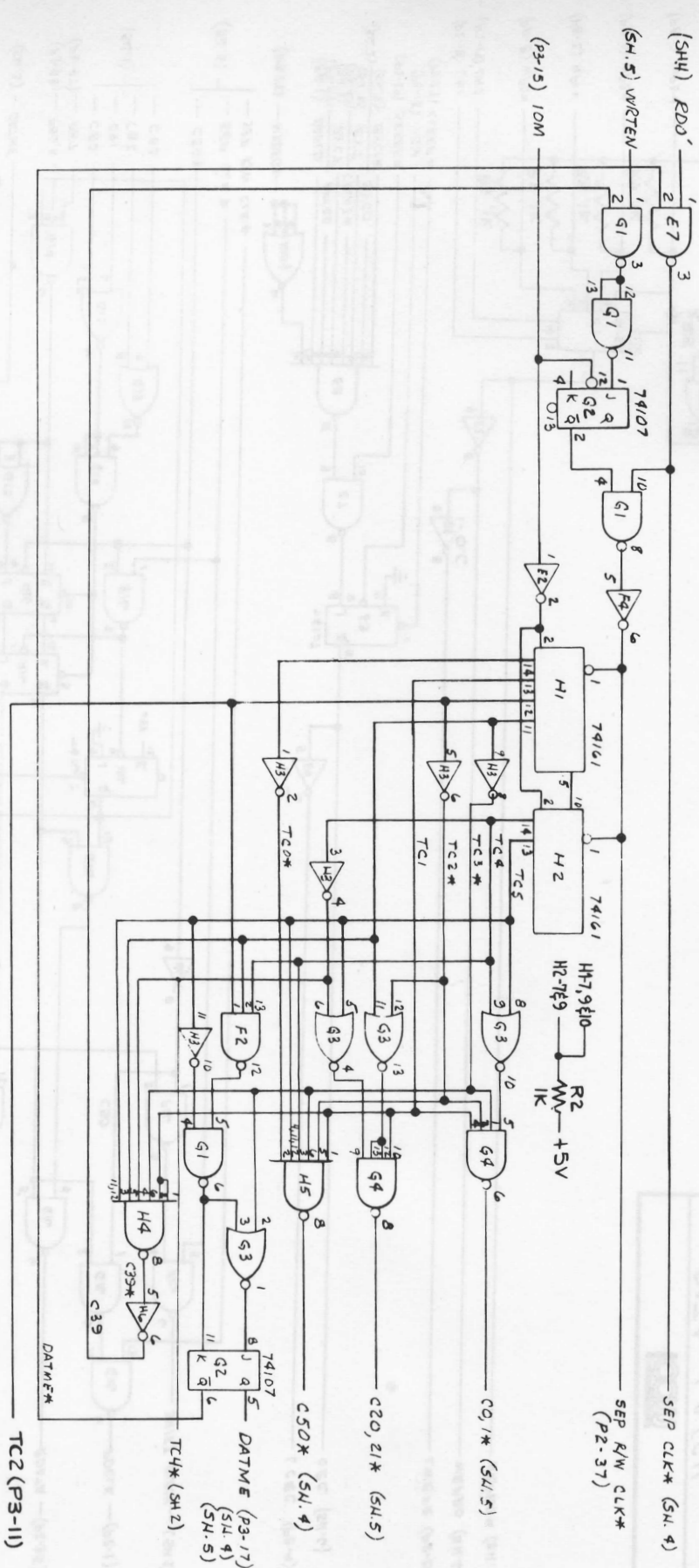






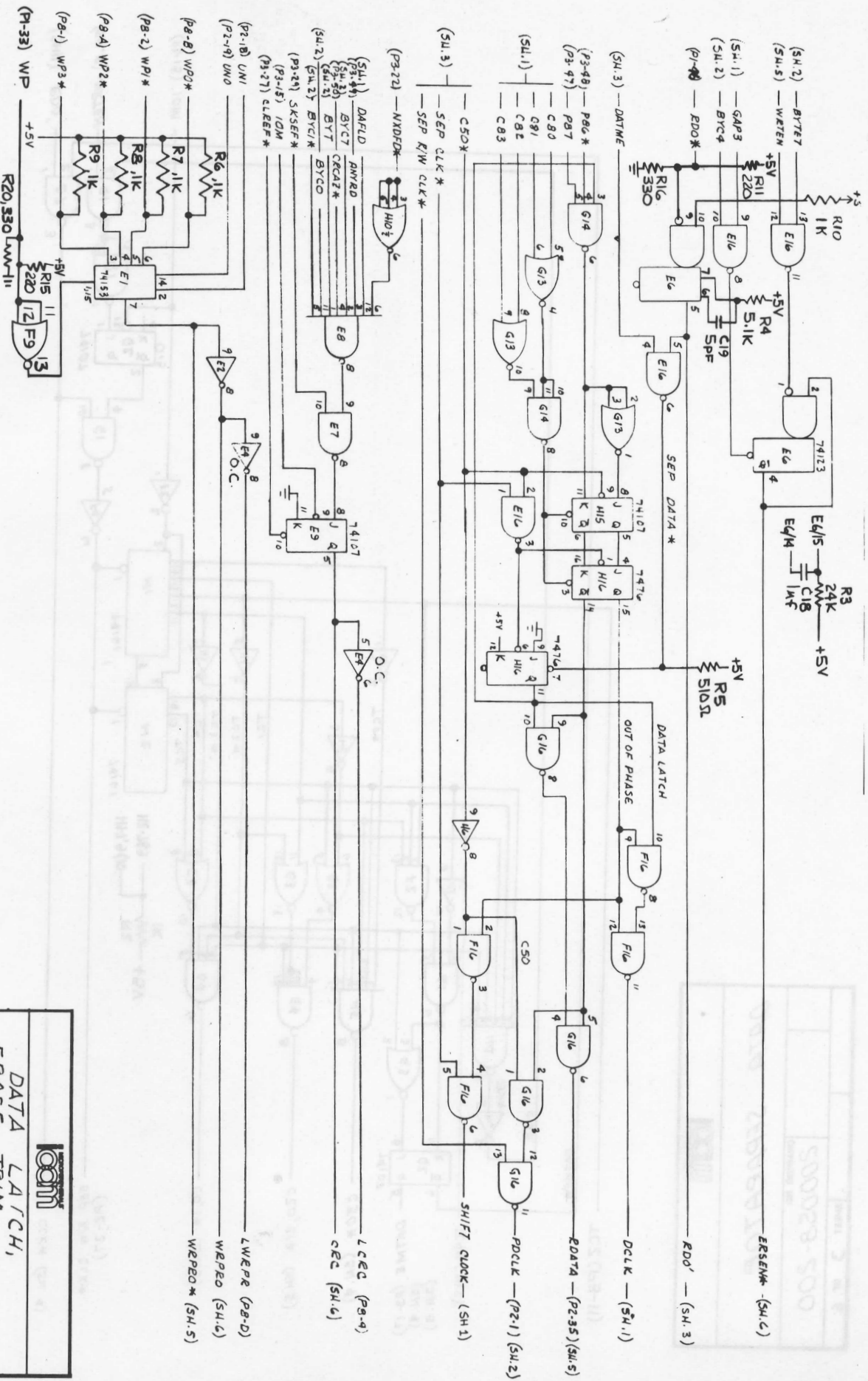
5000-B-500  
 200058-200  
 DRAWING NO.  
 SHEET 2 OF 6

	
<b>BYTE COUNT DECODING</b>	
DRAWING NO.	
<b>200058-200</b>	
SHEET 2 OF 6	

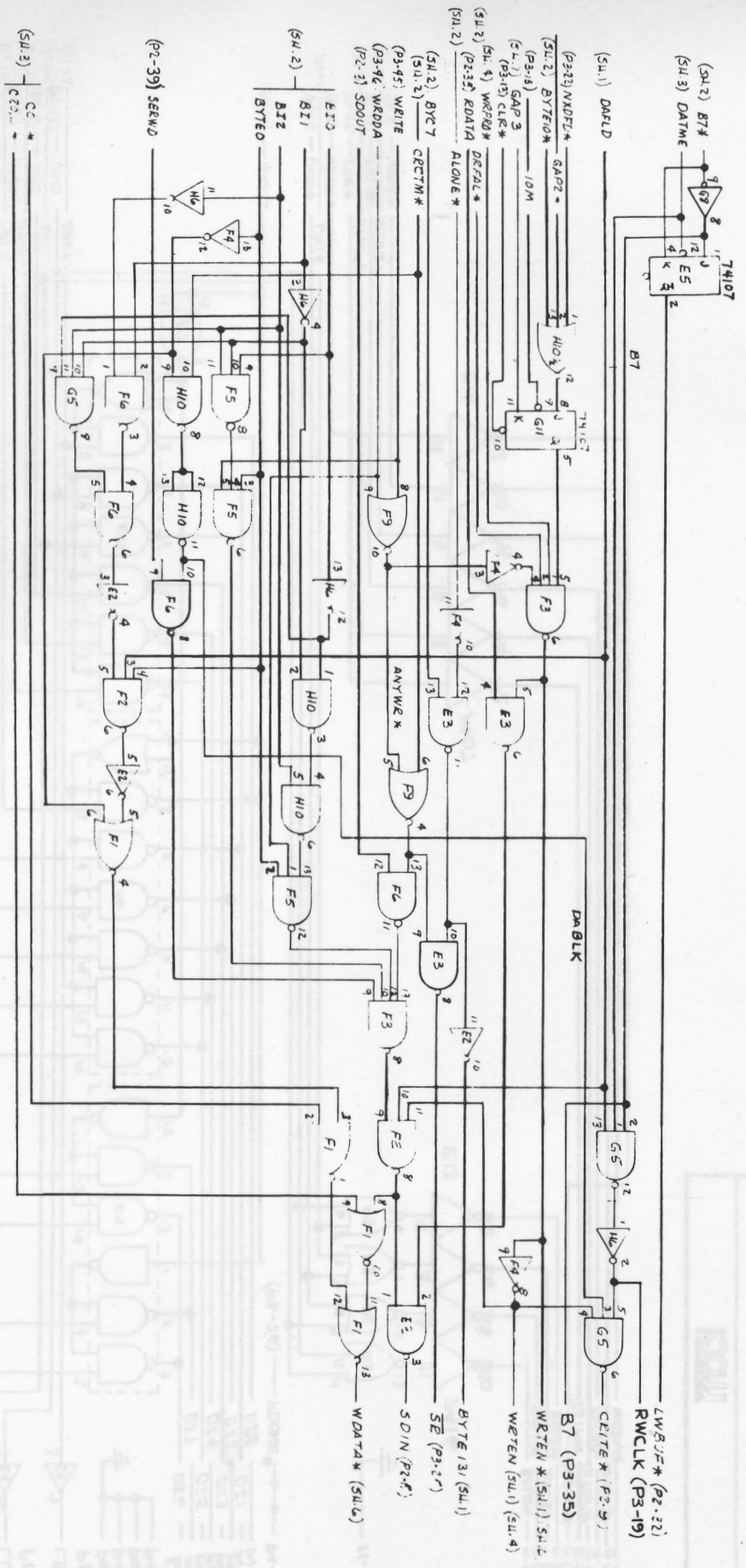



500028-500  
 CSC ESSOR WATCH  
 E02E 'JCM'  
 DATA WATCH  
 DATE 1/1/81

<b>LOGIC</b>	
<b>DATA SEPARATOR</b>	
DRAWING NO.	200058-200
SHEET	3 OF 6



<b>koorn</b>	
DATA LATCH, ERASE TRIM, CRC ERROR LATCH	
DRAWING NO. 200058-200	
SHEET 4	OF 6

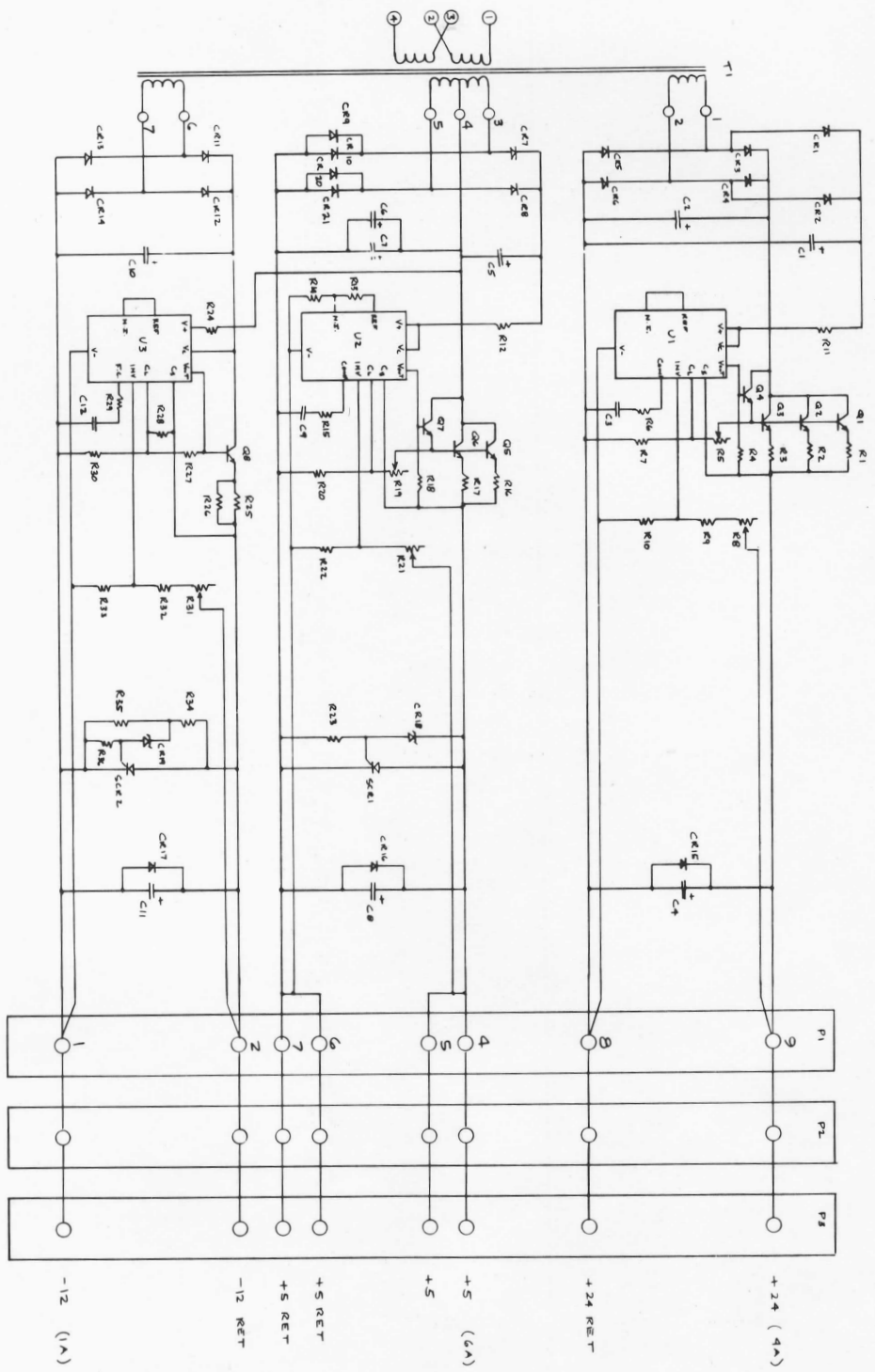


	
<b>DISK WRITE LOGIC</b>	
DRAWING NO.	200058-200
SHEET 5	OF 6





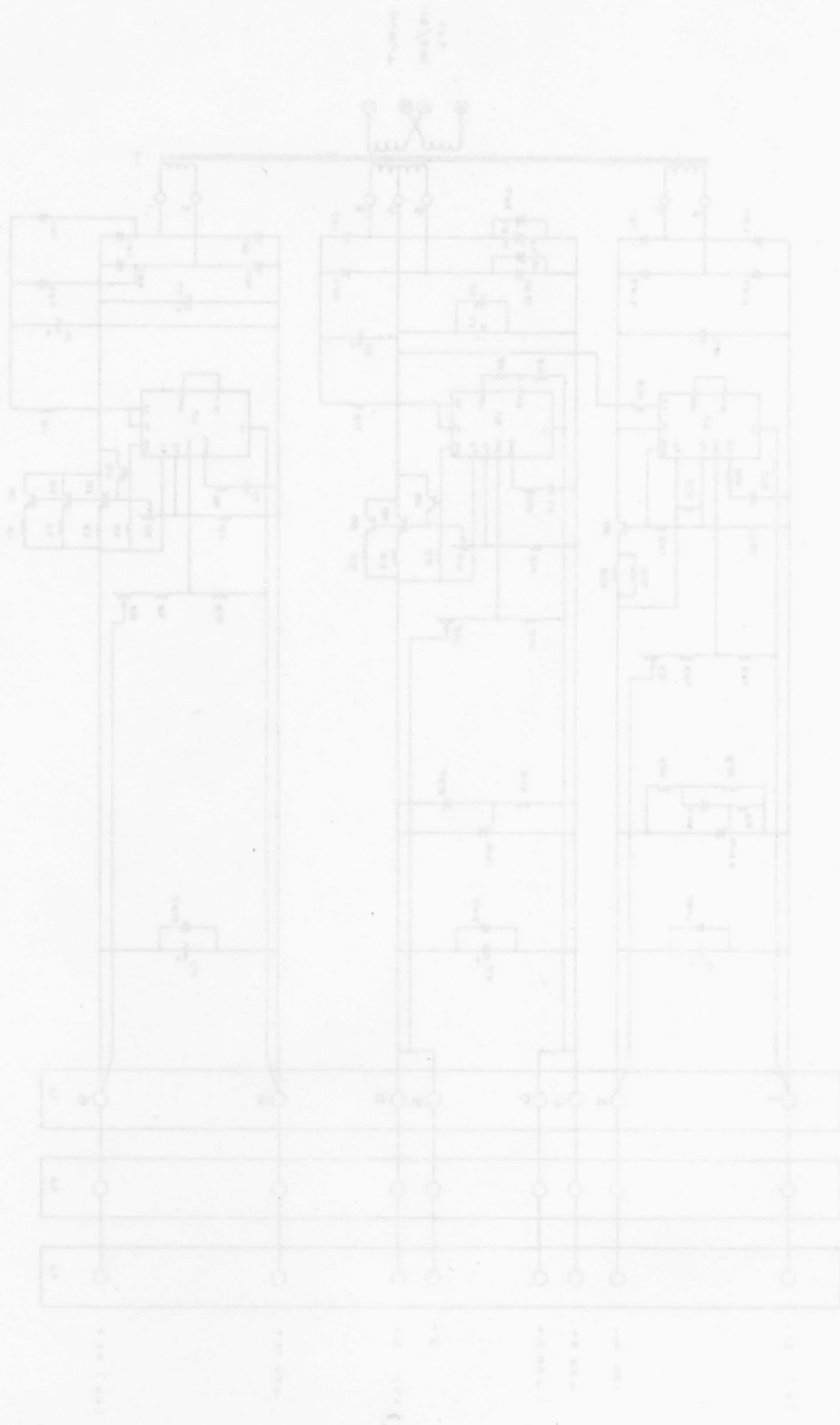
INPUT  
115/230  
VAC



P1,2+3 MOLEX CONNECTORS  
P/N 09-67-1092  
REMOVE PINS

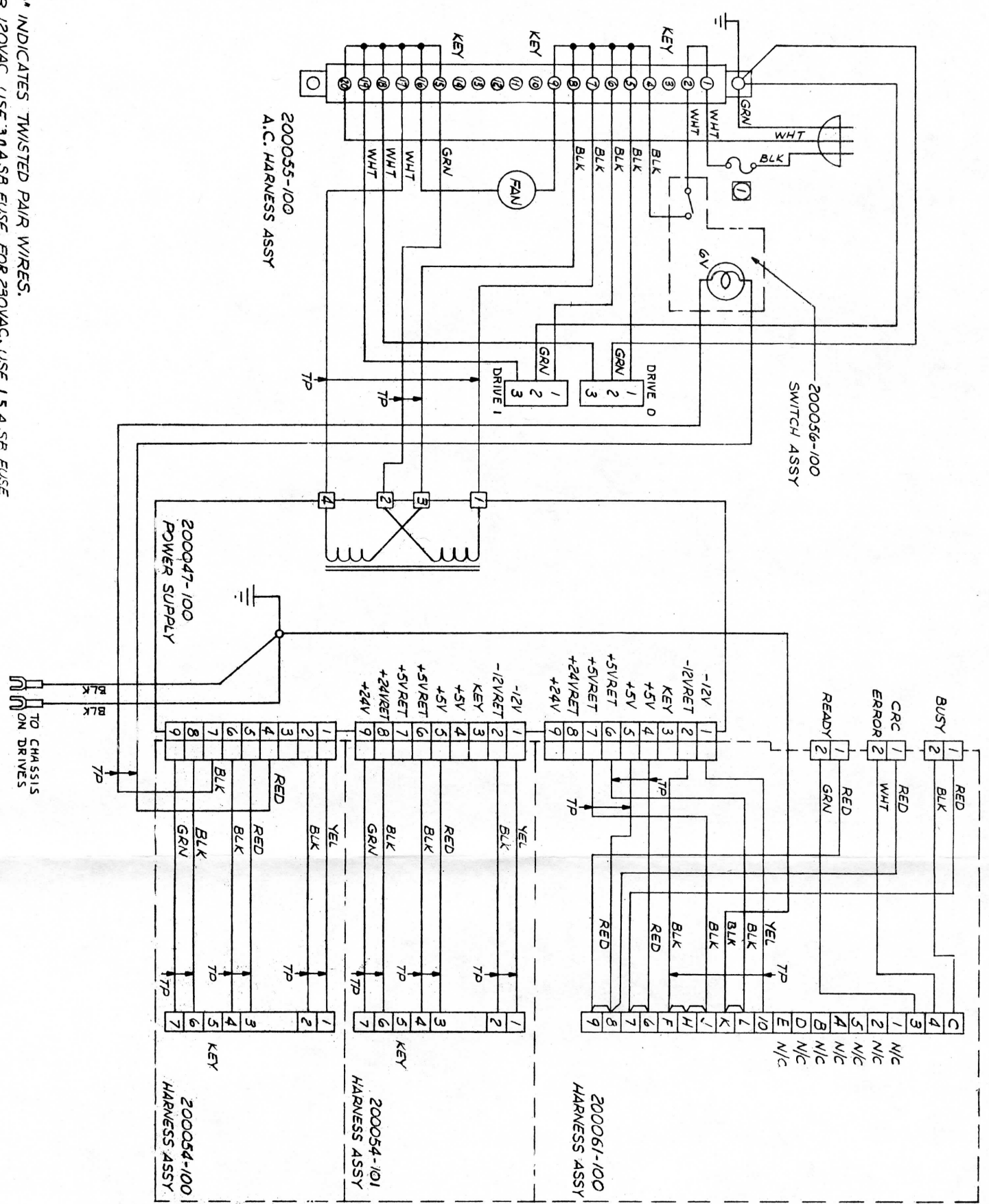
WATING CONNECTOR: MOLEX  
P/N 09-50-7091, PINS 08-50-0106

Power Supply PS1010

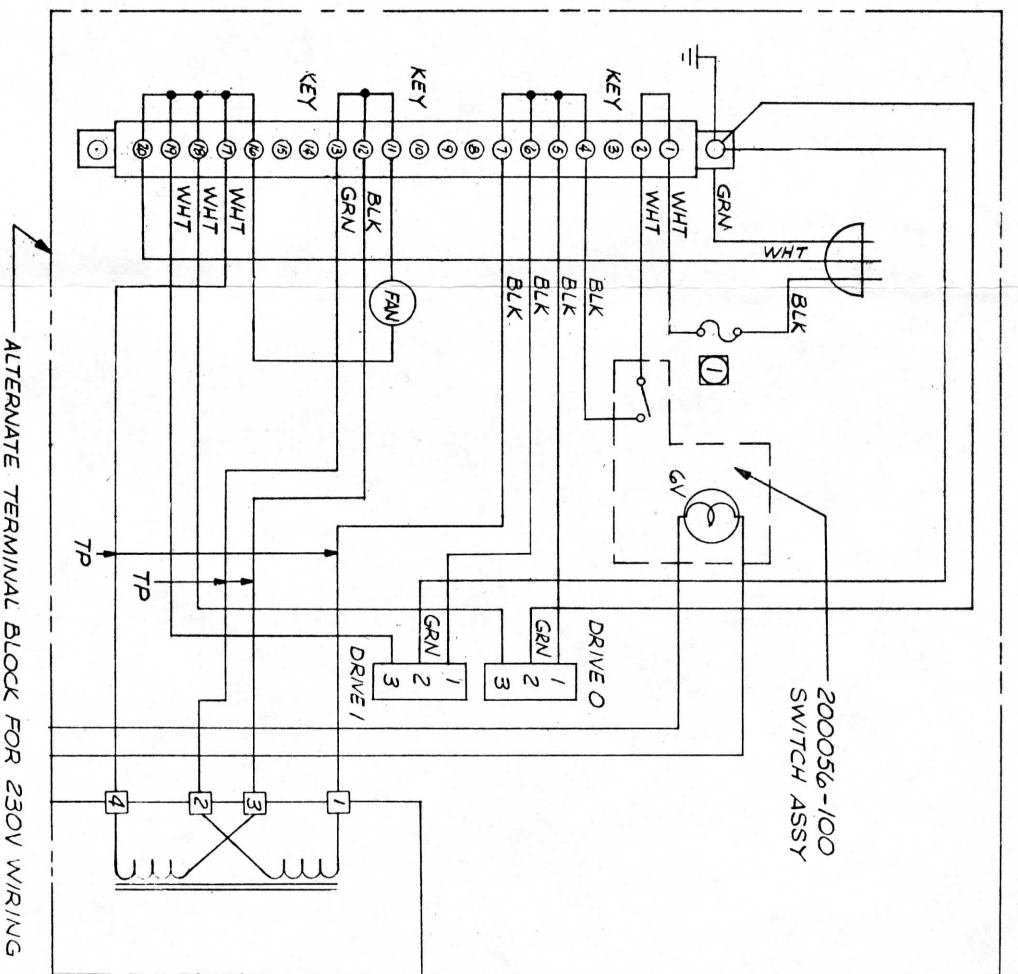


ELECTRICAL SCHEMATIC  
 POWER SOURCE  
 L1 L2 L3  
 1 2 3 4 5 6 7 8 9 10 11 12 13 14 15 16 17 18 19 20 21 22 23 24 25 26 27 28 29 30 31 32 33 34 35 36 37 38 39 40 41 42 43 44 45 46 47 48 49 50 51 52 53 54 55 56 57 58 59 60 61 62 63 64 65 66 67 68 69 70 71 72 73 74 75 76 77 78 79 80 81 82 83 84 85 86 87 88 89 90 91 92 93 94 95 96 97 98 99 100

POWER SOURCE - 220V/110V



2 \*TP\* INDICATES TWISTED PAIR WIRES.  
 1 FOR 120VAC, USE 3.0 A SB FUSE. FOR 230VAC, USE 1.5 A SB FUSE  
 NOTES: UNLESS OTHERWISE SPECIFIED



SCHEMATIC- DISC DRIVE SYSTEM	
SIZE	CODE IDENT NO. DRAWING NO.
D	100034-200 A
SCALE	NCVF
SHEET 1 OF 1	