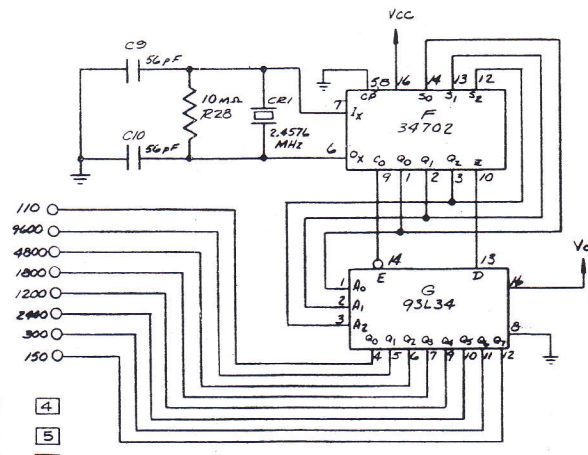


○ - OUTPUT (ON BOARD JUMPER.)  
 ◇ - INPUT (ON BOARD JUMPER.)

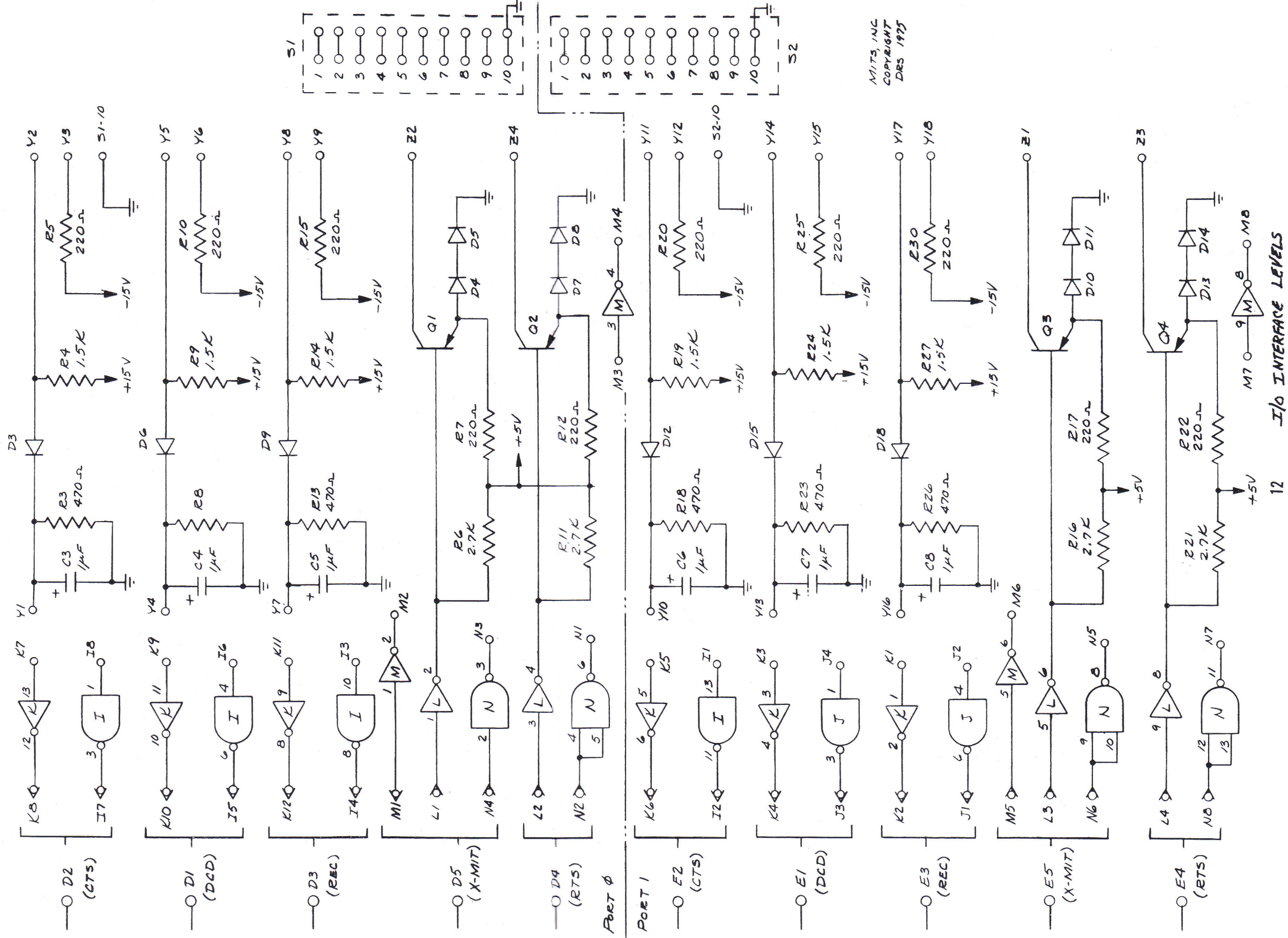


- VI0 [4]
- VI1 [5]
- VI2 [6]
- VI3 [7]
- VI4 [8]
- VI5 [9]
- VI6 [10]
- VI7 [11]
- PINT [13]

MITS	
TITLE 88-2 SIO SCHEMATIC	
DRAFTSMAN SAUNER	DATE 12-3-75
CHECKER	SCALE NONE
ENGINEERING	PROJ. MGR
DRAWING NO. 8800-140	
SHEET 1 OF 2	

2S10

2510



MIT, INC  
COPYRIGHT  
DEC 1975