

* THE MATERIAL HEREIN IS FOR INFORMATION PURPOSES ONLY AND IS SUBJECT TO CHANGE WITHOUT NOTICE. DIGITAL EQUIPMENT CORPORATION ASSUMES NO RESPONSIBILITY FOR ANY ERRORS WHICH MAY APPEAR HEREIN.*

FIELD MAINTENANCE PRINT SET

* THIS DRAWING AND SPECIFICATIONS, HEREIN, ARE THE PROPERTY OF DIGITAL EQUIPMENT CORPORATION AND SHALL NOT BE REPRODUCED OR COPIED OR USED IN WHOLE OR IN PART AS THE BASIS FOR THE MANUFACTURE OR SALE OF ITEMS WITHOUT WRITTEN PERMISSION.* COPYRIGHT © 1985 DIGITAL EQUIPMENT CORPORATION.

TABLE OF CONTENTS

B-TC-6300Z-0-DBU	6300Z RACK MOUNT MICRO VAX II
B-DD-6300Z-0-DBU	6300Z RACK MOUNT MICRO VAX II (DD ONLY)
K-PL-6300Z-0-DBP	6300Z RACK MOUNT MICRO VAX II (PL)
B-DD-7022395-0-DBU	MICRO VAX II ASSY (DD ONLY)
K-PL-7022385-0-DBP	MICRO VAX II ASSY (PL)
D-UA-7022385-0-DBU	MICRO VAX II ASSY
K-PL-7021860-0-DBP	MICRO CHASSIS ASSY (PL)
D-AD-7021860-0-DBU	MICRO CHASSIS ASSY
E-IC-7021860-0-DBU2	SYSTEM CABLE INTERCONNECT
E-BD-7021860-0-DBU3	SYSTEM SIGNAL INTERCONNECT
D-AD-7019985-0-DBU	CHASSIS ASSY
K-PL-7019985-0-DBP	CHASSIS ASSY (PL)
B-DD-5415633-0	BA23 SIGNAL DISTRIBUTION PANEL (DD ONLY)
K-PL-5415633-0-DBP	BA23 SIGNAL DISTRIBUTION PANEL (PL)
E-UA-5415633-0-0	BA23 SIGNAL DISTRIBUTION PANEL
D-CS-5415633-0-1	BA23 SIGNAL DISTRIBUTION PANEL
B-DD-H9278-A	8 SLOT BACKPLANE (DD ONLY)
K-PL-H9278-A-DBP	8 SLOT BACKPLANE (PL)
E-UA-H9278-A-0	8 SLOT BACKPLANE
E-CS-H9278-A-1	8 SLOT BACKPLANE

UNIT VARIATIONS COVERED BY THIS PRINT SET
6300Z-A2
6300Z-A3
6300Z-B2
6300Z-B3
6300Z-C2
6300Z-C3
6300Z-D2
6300Z-D3

6300Z


**FIELD MAINTENANCE
PRINT SET**

**DIGITAL EQUIPMENT
CORPORATION**

**PRINT SET PART
NUMBER MP-02028-01**

REV. A1

FILE NAME: TC-6300Z-0-DBUA

REVISION HISTORY		DRN.	DATE	TITLE	SIZE	CODE	NUMBER	REV.
DATE	ECO NUMBER			 6300Z RACK MOUNT MICRO VAX II				A
	INITIAL	D. RICHARD	1 JAN 85					
		D. HEALY	8 MAR 85					
		J. NICHOLS	8 MAR 85	B TC 6300Z-0-DBU				
		J. NICHOLS	8 MAR 85					
		G. LIDINGTON	8 MAR 85	SHEET 1 OF 2				
		TOP DOC. B-DD-6300Z-0-DBU						

REV. A
 NUMBER 6300Z-0-DBU
 SIZE CODE B TC

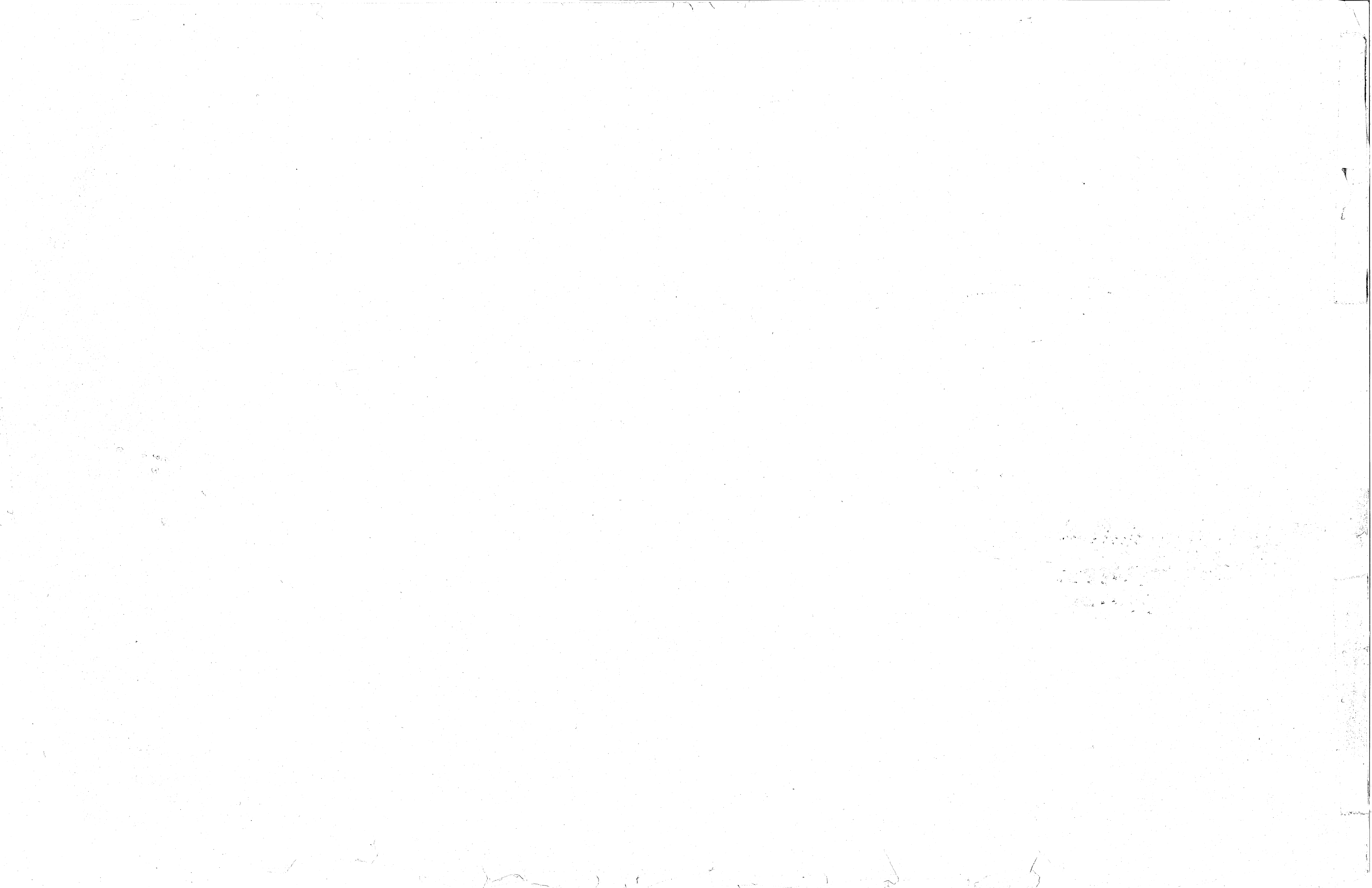


TABLE OF CONTENTS CONTINUED

B-DD-M7606-0	MICRO VAX II CPU (DD ONLY)	B-DD-M7608-0-0	2MB MEMORY EXP
D-UA-M7606-0-0	MICRO VAX II CPU MODULE	D-UA-M7608-0-0	2MB MEMORY EXP
K-PL-M7606-0-DBP	MICRO VAX II CPU MODULE (PL)	K-PL-M7608-0-DBP	2MB MEMORY EXP (PL)
K-BD-M7606-0-1	MICRO VAX II CPU MODULE	D-CS-M7608-0-1	2MB MEMORY EXP
D-CS-M7606-0-1	MICRO VAX II CPU MODULE	A-PS-3021749-0-0	H7864-A P.S. (REV 20)
B-DD-M8639-0	RD/RX CONTROLLER BD. (DD ONLY)	C-1A-7020449-0-DBU	CABLE, FAN
K-PL-M8639-0-DBP	RD/RX CONTROLLER BD. (PL)	K-PL-7020449-0-DBP	CABLE, FAN (PL)
D-UA-M8639-0-0	RD/RX CONTROLLER BD.	D-1A-7020435-0-DBU	CABLE, D. C. POWER DRIVE
D-CS-M8639-0-1	RD/RX CONTROLLER BD.	K-PL-7020435-0-DBP	CABLE, D. C. POWER DRIVE (PL)
B-DD-M9047-0	GRANT CONT (DD ONLY)	D-1A-7020450-0-DBU	CABLE, D. C. POWER BACKPLANE
D-UA-M9047-0-0	GRANT CONT	K-PL-7020450-0-DBP	CABLE, D. C. POWER BACKPLANE (PL)
D-CS-M9047-0-1	GRANT CONT	D-1A-7020451-0-DBU	CABLE, FRONT PANEL TO BACKPLANE
D-AD-7022007-0-0	CONTROL PANEL ASSY	K-PL-7020451-0-DBP	CABLE, FRONT PANAL TO BACKPLANE (PL)
K-PL-7022007-0-DBP	CONTROL PANEL ASSY (PL)	D-1A-BC02D-0-DBU	50 COND SIGNAL (BC02D)
B-DD-5416458-0-0	BA23 FRONT PANEL	K-PL-BC02D-0-DBP	50 COND SIGNAL (BC02D)
D-UA-5416458-0-0	BA23 FRONT PANEL	A-PS-1700712-0-0	CABLE ASSY, 20 PIN
K-PL-5416458-0-DBP	BA23 FRONT PANEL (PL)	A-PS-1700624-0-0	CABLE, CONSOLE BACKPLANE (10 PIN)
D-CS-5416458-0-1	BA23 FRONT PANEL	A-PS-1700716-0-0	CABLE ASSY MEM BUSING
B-DD-5416744-0-0	FUNCTION SEL/SLU CONSOLE CONN		
D-UA-5416744-0-0	FUNCTION SEL/SLU CONSOLE CONN		
K-PL-5416744-0-DBP	FUNCTION SEL/SLU CONSOLE CONN (PL)		
D-CS-5416744-0-1	FUNCTION SEL/SLU CONSOLE CONN		
K-PL-KA630-0-DBP	MICRO VAX CPU OPTION (PL)		
B-DD-H3263-0-0	MICRO VAX CONFIGURATION CONN		
D-UA-H3263-0-0	MICRO VAX CONFIGURATION CONN		
K-PL-H3263-0-DBP	MICRO VAX CONFIGURATION CONN (PL)		
D-CS-H3263-0-1	MICRO VAX CONFIGURATION CONN		
B-DD-M7607-0-0	1MB MEMORY EXP		
D-UA-M7607-0-0	1MB MEMORY EXP		
K-PL-M7607-0-DBP	1MB MEMORY EXP (PL)		
D-CS-M7607-0-1	1MB MEMORY EXP		

" THE MATERIAL HEREIN IS FOR INFORMATION PURPOSES ONLY AND IS SUBJECT TO CHANGE WITHOUT NOTICE. DIGITAL EQUIPMENT CORPORATION ASSUMES NO RESPONSIBILITY FOR ANY ERRORS WHICH MAY APPEAR HEREIN. "

DRAWING DIRECTORY


" THIS DRAWING AND SPECIFICATIONS, HEREIN, ARE THE PROPERTY OF DIGITAL EQUIPMENT CORPORATION AND SHALL NOT BE REPRODUCED OR COPIED OR USED IN WHOLE OR IN PART AS THE BASIS FOR THE MANUFACTURE OR SALE OF ITEMS WITHOUT WRITTEN PERMISSION." COPYRIGHT © 1985 DIGITAL EQUIPMENT CORPORATION.

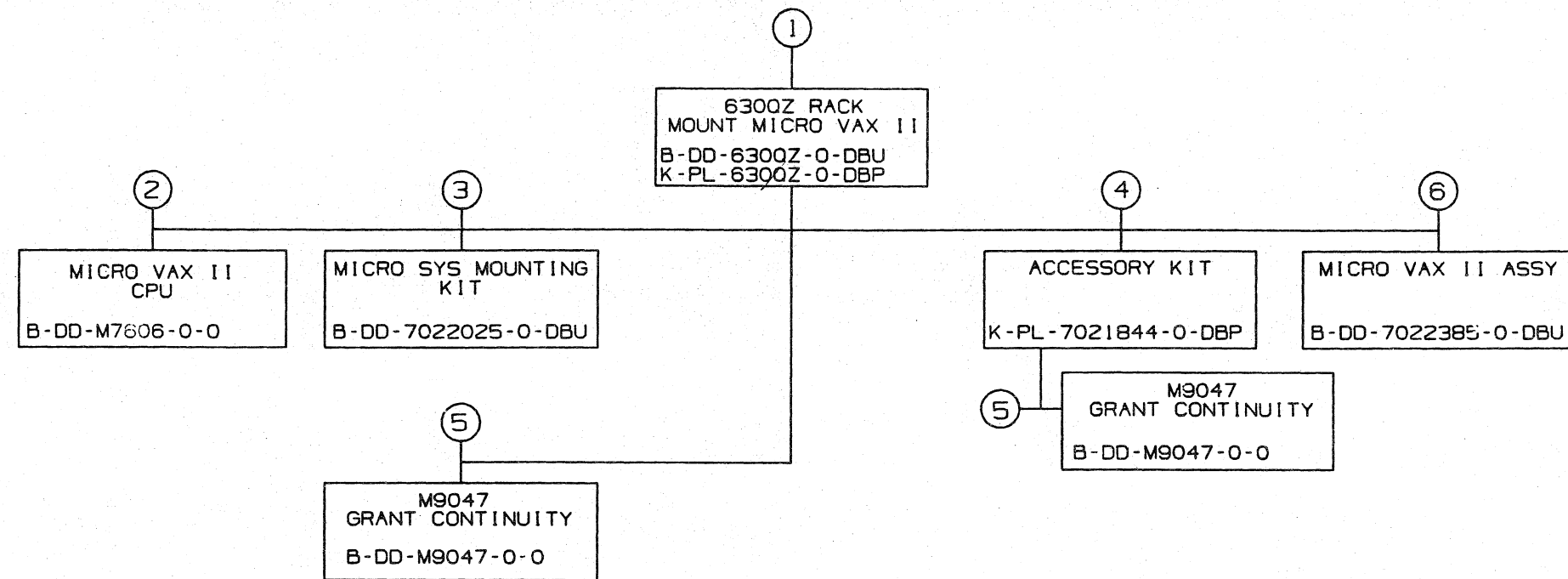
UNIT VARIATIONS

VAR	TITLE
6300Z-A2	MICRO VAX II RACK MNT 1 MB FP 120V
6300Z-A3	MICRO VAX II RACK MNT 1 MB FP 240V
6300Z-B2	MICRO VAX II RACK MNT 1 MB NO FP 120V
6300Z-B3	MICRO VAX II RACK MNT 1 MB NO FP 240V
6300Z-C2	MICRO VAX II RACK MNT 256 KB FP 120V
6300Z-C3	MICRO VAX II RACK MNT 256 KB FP 240V
6300Z-D2	MICRO VAX II RACK MNT 256 KB NO FP 120V
6300Z-D3	MICRO VAX II RACK MNT 256 KB NO FP 240V

FILE NAME: DD-6300Z-0-DBUA

REVISIONS	REV. NO.	INITIAL
	CHANGE NO.	
CHK		A

USED ON OPTION/MODEL	DRN. D. RICHARD	DATE 12-12-84	TITLE			
	CHK'D D. HEALY	DATE 03-08-85	6300Z			
	PROJ. ENG. J. NICHOLS	DATE 03-08-85	RACK MOUNT			
	PROD. K. WORTMAN	DATE 03-08-85	MICRO VAX II			
	TOP DOC.		SIZE	CODE	NUMBER	REV.
SHEET 1 OF 3	B-DD-6300Z-0-DBU	DIST.	B	DD	6300Z-0-DBU	A

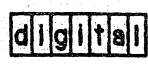


TITLE:	SIZE CODE	NUMBER	REV.
6300Z RACK MOUNT MICRO VAX II	B DD	6300Z-0-DBU	A

SHEET 2 OF 3

FIND NO.	DRAWING NO.	DESCRIPTION	TYPE	FIND NO.	DRAWING NO.	DESCRIPTION	TYPE
1	MP-02028-01	6300Z RACK MOUNT MICRO VAX II (MP)	—				
	B-TC-6300Z-0-DBU	6300Z RACK MOUNT MICRO VAX II (TC)	—				
	K-PL-6300Z-0-DBP	6300Z RACK MOUNT MICRO VAX II (PL)	E/M				
	A-PS-1700083-0-0	PWR CORD TERM 3-14 SJT 125	E/M				
	D-MD-7429910-0-DBU	MEDALLION MICRO VAX II	M				
	A-PS-3617880-0-0	LABEL, FCC	M				
	A-PS-3617674-0-0	LABEL, SERIAL	M				
	A-PS-3617905-0-0	LABEL, WARNING, EQUIP RATING	M				
2	B-DD-M7606-0-0	MICRO VAX II CPU	E/M				
3	B-DD-7022025-0-DBU	MICRO SYSTEM MTG KIT	M				
4	K-PL-7021844-0-DBP	ACCESSORIES KIT	M				
	B-MD-7427012-0-DBU	FOOT	M				
	D-MD-7428501-0-DBU	STRIP, FILLER	M				
	A-PS-1700313-0-0	CABLE ASSY, BC22 W/CONN 10'	M				
	C-IA-7427720-0-DBU	PLATE CONN, 40/50 PIN	M				
	K-PL-7427720-0-DBP	PLATE CONN, 40/50 PIN (PL)	M				
	A-PS-3621549-0-0	LABEL, CONTROL PANEL, MICRO PDP-11	M				
	A-PS-3622092-0-0	LABEL, LCP5 CONFIGURATION	M				
	A-PS-3622091-0-0	LABEL, LCP5 COUNTRY DOCUMENTATION	M				
	A-PS-1700301-0-0	CABLE ASSY 10' LG (BCC08-10)	M				
	A-PS-3623314-0-0	LABEL, CPU	M				
5	B-DD-M9047-0-0	M9047 GRANT CONTINUITY	E/M				
6	B-DD-7022385-0-DBU	MICRO VAX II ASSY	E/M				

TYPE: E ELECTRICAL
M MECHANICAL
E/M ELECTRO/MECHANICAL



TITLE: 6300Z RACK MOUNT MICRO VAX II SHEET 3 OF 3
SIZE CODE: B DD NUMBER: 6300Z-0-DBU REV.: A

LINE	ITEM	TOP DOCUMENT	PART NUMBER	MIN REV	DESCRIPTION	QTY PER VARIATION							
						A2	A3	B2	B3	C2	C3	D2	D3
VARIATION REVISION LEVEL:						A1	A1	A1	A1	A1	A1	A1	A1
1	1	B-DD-M7606-0-0	M7606-AA		MICROVAX II W/1MB,FP,INCLUDES TI	1	1	-	-	-	-	-	-
2	2	B-DD-M7606-0-0	M7606-BA		M7606-AA W/NO FP (CPU,1MB) = M76	-	-	1	1	-	-	-	-
3	3	B-DD-M7606-0-0	M7606-CA		M7606-AA W/256KB MEM (CPU,256KB,	-	-	-	-	1	1	-	-
4	4	B-DD-M7606-0-0	M7606-DA		M7606-AA W/256KB MEM,NO FP = M76	-	-	-	-	-	-	1	1
5	5	A-PS-1700083-0-0	1700083-02	K	PWR CORD,TERM 3-14 SJT 125	1	-	1	-	1	-	1	-
6	6	A-PS-1700083-0-0	1700083-01	K	PWR CORD,TERM 3-14 SJT 250	-	1	-	1	-	1	-	1
7	7	D-AD-7022025-0-DBU	7022025-01		MICRO SYSTEM MOUNTING KIT	1	1	1	1	1	1	1	1
8	8	B-DD-7022385-0-DBU	7022385-01		MICRO VAXII ASSY.	1	1	1	1	1	1	1	1
9	9	K-PL-7021844-0-DBP	7021844-04		ACCESSORY KIT	1	1	1	1	1	1	1	1
10	10	SEE NOTE 1	7429910-04	A	MEDALLION,MICROVAX II	1	1	1	1	1	1	1	1
11	11	SEE NOTE 1	1220113-01	B	SPRING,COMPRESSION .3000DX .380	1	1	1	1	1	1	1	1
12	12	A-PS-3617880-0-0	3617880-02		LABEL,FCC,CLASS A,PROCESSOR	1	-	1	-	1	-	1	-
13	13	A-PS-3617674-0-0	3617674-14		LABEL,SERIAL & POWER,UNIVERSAL W	A/R	A/R	A/R	A/R	A/R	A/R	A/R	A/R
14	14	A-PS-3617674-0-0	3617674-20	A	LABEL,SERIAL/POWER,W/UL & CSA MA	A/R	A/R	A/R	A/R	A/R	A/R	A/R	A/R
15	15	A-PS-3617674-0-0	3617674-22	A	LABEL,SERIAL/POWER,W/UL & CSA MA	A/R	A/R	A/R	A/R	A/R	A/R	A/R	A/R
16	16	A-PS-3617905-0-0	3617905-16	A	LABEL,WARNING EQUIP. RATING,100-	1	-	1	-	1	-	1	-
17	17	A-PS-3617905-0-0	3617905-17	A	LABEL,WARNING EQUIP. RATING,220-	-	1	-	1	-	REF	-	REF
18	18	A-PS-1700198-0-0	1700198-00	B	PWR CORD,TERM 3-18 250	-	REF	-	REF	1	REF	-	REF
19	19	A-PS-1700199-0-0	1700199-00	A	PWR CORD,TERM 3 250	-	REF	-	REF	-	REF	-	REF
20	20	A-PS-1700209-0-0	1700209-00	A	PWR CORD,TERM 3- .75MM 5A 250	-	REF	-	REF	-	REF	-	REF
21	21	A-PS-1700210-0-0	1700210-01	A	PWR CORD,TERM 3- .75MM 250V 6	-	REF	-	REF	-	REF	-	REF
22	22	A-PS-1700310-0-0	1700310-01	A	PWR CORD,TERM 3- .75MM 250	-	REF	-	REF	-	REF	-	REF
23	23	A-PS-1700364-0-0	1700364-01	A	PWR CORD,TERM 3- .75MM 250V	-	REF	-	REF	-	REF	-	REF
24	24	B-DD-M9047-0-0	M9047-00		QBUS GRANT CONTINUITY,1ST USED I	A/R	A/R	A/R	A/R	A/R	A/R	A/R	A/R

25 NOTE: 1: FOR INSTALLATION OF MEDALLION & SPRING REF, D-UA-7022385-0-DBU

REVISION HISTORY			BASIC PART NO: 630QZ			DRN: D. RICHARD			DATE: 26-DEC-84			D I G I T A L		
ENG	ECO NUMBER	REV	SECTION A OF A			CHK'D: D. HEALY			DATE: 08-MAR-85			TITLE PARTS LIST		
---	INITIAL	A	SECTION VARIATION INDEX			DES.ENG: J. NICHOLS			DATE: 08-MAR-85			DOCUMENT NUMBER		
			(A)A2,A3,B2,B3,C2,C3, D2,D3			RESP.ENG.: J. NICHOLS			DATE: 08-MAR-85			K PL 630QZ-0-DBP A		
			(B)			MFG.ENG.: K. WORTMAN			DATE: 08-MAR-85			RELEASE DATE: 08-MAR-85		
			(C)			ASSEMBLY NUMBER:			TOP DOCUMENT NUMBER:			FILE NAME: EDIT #		
			(D)						B-DD-630QZ-0-DBU			ML510A.PLS 31		
			(E)											
			(F)											

"THIS DRAWING AND THE SPECIFICATIONS CONTAINED HEREIN ARE CONFIDENTIAL AND PROPRIETARY. THEY ARE THE PROPERTY OF DIGITAL EQUIPMENT CORPORATION AND SHALL NOT BE REPRODUCED OR COPIED OR USED IN WHOLE OR IN PART AS THE BASIS FOR THE MANUFACTURE OR SALE OF ITEMS WITHOUT WRITTEN PERMISSION. THIS IS AN UNPUBLISHED WORK PROTECTED UNDER THE FEDERAL COPYRIGHT LAWS."

* THE MATERIAL HEREIN IS FOR INFORMATION PURPOSES ONLY AND IS SUBJECT TO CHANGE WITHOUT NOTICE. DIGITAL EQUIPMENT CORPORATION ASSUMES NO RESPONSIBILITY FOR ANY ERRORS WHICH MAY APPEAR HEREIN.

DRAWING DIRECTORY

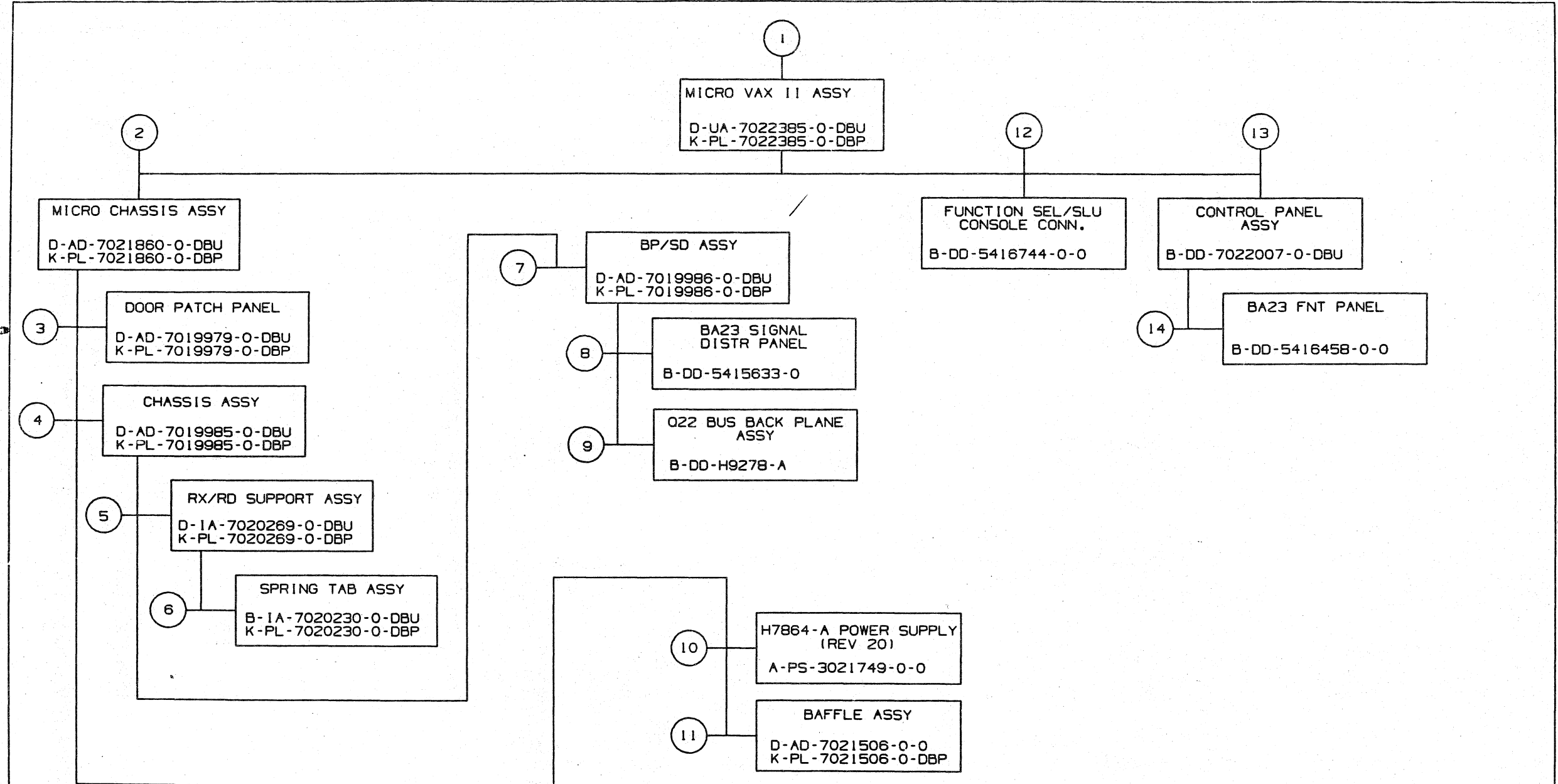
* THIS DRAWING AND SPECIFICATIONS, HEREIN, ARE THE PROPERTY OF DIGITAL EQUIPMENT CORPORATION AND SHALL NOT BE REPRODUCED OR COPIED OR USED IN WHOLE OR IN PART AS THE BASIS FOR THE MANUFACTURE OR SALE OF ITEMS WITHOUT WRITTEN PERMISSION. * COPYRIGHT © 1985 DIGITAL EQUIPMENT CORPORATION.

UNIT VARIATIONS

VAR	TITLE
7022385-01	MICRO VAX II ASSY

FILE NAME: DD7022385-0-DBUA

REVISIONS	CHK	CHANGE NO.	REV.	INITIAL		
			A			
USED ON OPTION/MODEL		DRN.	DATE	TITLE		digital
		D. RICHARD	28DEC84			
		CHK'D	DATE	MICRO VAX II ASSY		
		D. HEALY	26FEB85			
		PROJ. ENG.	DATE			
		J. MCMULLIN	26FEB85			
		PROD.	DATE			
		K. WORTMAN	26FEB85	SIZE CODE	NUMBER	REV.
				B DD	7022385-0-DBU	A
SHEET 1 OF 4		TOP DOC. B-DD-7022385-0-DBU		DIST.		



TITLE: MICRO VAX II ASSY	SHEET 2 OF 4	SIZE CODE BDD	NUMBER 7022385-0-DBU	REV. A
-----------------------------	--------------	-------------------------	-------------------------	-----------

FIND NO.	DRAWING NO.	DESCRIPTION	TYPE
1	D-UA-7022385-0-DBU	MICRO VAX II ASSY	E/M
	K-PL-7022385-0-DBP	MICRO VAX II ASSY (PL)	E/M
	A-PS-1700712-0-0	CABLE ASSY, 20 PIN	E/M
	A-PS-1700624-0-0	CABLE, CONSOLE BACKPLANE (10 PIN)	E/M
2	D-AD-7021860-0-DBU	MICRO CHASSIS ASSY	E/M
	K-PL-7021860-0-DBP	MICRO CHASSIS ASSY (PL)	E/M
	E-BD-7021860-0-DBU3	SYSTEM SIGNAL INTERCONNECT	E
	E-IC-7021860-0-DBU2	SYSTEM CABLE INTERCONNECT	E
	C-1A-7020449-0-DBU	CABLE, FAN	E/M
	K-PL-7020449-0-DBP	CABLE, FAN (PL)	E/M
	D-1A-7020435-0-DBU	CABLE, D.C. POWER DRIVE	E/M
	K-PL-7020435-0-DBP	CABLE, D.C. POWER DRIVE (PL)	E/M
	D-1A-7020450-0-DBU	CABLE, D.C. POWER BACKPLANE	E/M
	K-PL-7020450-0-DBP	CABLE, D.C. POWER BACKPLANE (PL)	E/M
	D-MD-7427751-0-DBU	COVER, LOGIC	M
	K-PL-7427751-0-DBP	COVER, LOGIC (PL)	M
	C-MD-7427574-0-DBU	PLATE, COVER	M
	C-MD-7428683-0-DBU	PLATE, CONNECTOR BLANK	M
	D-MD-7427584-0-DBU	COVER, RX/RD	M
	K-PL-7427584-0-DBP	COVER, RX/RD (PL)	M

FIND NO.	DRAWING NO.	DESCRIPTION	TYPE
3	D-AD-7019979-0-DBU	DOOR, PATCH PANEL	M
	K-PL-7019979-0-DBP	DOOR, PATCH PANEL (PL)	M
	E-1A-7427547-0-DBU	BRKT, PATCH PANEL	M
	K-PL-7427547-0-DBP	BRKT, PATCH PANEL (PL)	M
	C-1A-7427546-0-DBU	BRKT, ADAPTER PATCH PANEL	M
	K-PL-7427546-0-DBP	BRKT, ADAPTER PATCH PANEL (PL)	M
4	D-AD-7019985-0-DBU	CHASSIS ASSY	E/M
	K-PL-7019985-0-DBP	CHASSIS ASSY (PL)	E/M
	E-1A-7427541-0-DBU	CHASSIS	M
	K-PL-7427541-0-DBP	CHASSIS (PL)	M
	E-1A-7427553-0-DBU	PARTITION	M
	K-PL-7427553-0-DBP	PARTITION (PL)	M
	D-1A-7427545-0-DBU	COVER, LOGIC FIXED	M
	K-PL-7427545-0-DBP	COVER, LOGIC FIXED (PL)	M
	C-MD-7427542-0-DBU	PLATE, EJECTOR	M
	E-MD-7427555-0-DBU	GUIDE, CARD	M
	D-1A-7020451-0-DBU	CABLE, FRONT PANEL TO BACKPLANE	E/M
	K-PL-7020451-0-DBP	CABLE, FRONT PANEL TO BACKPLANE (PL)	E/M
	D-1A-7427552-0-DBP	SUPPORT CHASSIS FRONT	M
	K-PL-7427552-0-DBP	SUPPORT CHASSIS FRONT (PL)	M
	D-1A-BC02D-0-0	50 COND SIGNAL (BC02D)	E/M
	K-PL-BC02D-0-DBP	50 COND SIGNAL (BC02D) (PL)	E/M
	A-PS-1212907-0-0	CABLE ASSY, NYLON, 6" LG, CRIMPED	E/M
5	D-1A-7020269-0-DBU	RX/RD SUPPORT ASSY	M
	K-PL-7020269-0-DBP	RX/RD SUPPORT ASSY (PL)	M
	E-1A-7427563-0-DBU	BRACKET, RX/RD SUPPORT	M
	K-PL-7427563-0-DBP	BRACKET, RX/RD SUPPORT (PL)	M
	D-MD-7427554-0-DBU	HALF SLIDE	M
	D-MD-7425653-0-DBU	GUIDE, SLIDE	M
	B-MD-7427544-0-DBU	DOOR ACCESS	M

TYPE: E ELECTRICAL
M MECHANICAL
E/M ELECTRO/MECHANICAL



TITLE: MICRO VAX II ASSY

SHEET 3 OF 4

SIZE CODE
B DD

NUMBER
7022385-0-DBU

REV.
A

DRB 108A

FIND NO.	DRAWING NO.	DESCRIPTION	TYPE	FIND NO.	DRAWING NO.	DESCRIPTION	TYPE
				13	B-DD-7022007-0-DBU	CONTROL PANEL ASSY	E/M
6	B-1A-7020230-0-DBU	ASSY, SPRING TAB	M				
	K-PL-7020230-0-DBU	ASSY, SPRING TAB (PL)	M	14	B-DD-5416458-0-0	BA23 FNT PANEL	E/M
	B-MD-7427217-0-DBU	TAB, SPRING	M				
	B-MD-7427749-0-DBU	BRACKET, SPRING TAB	M				
7	D-AD-7019986-0-DBU	BP/SD ASSY	M				
	K-PL-7019986-0-DBU	BP/SD ASSY (PL)	M				
	D-MD-7427551-0-DBU	BRACKET, DISTRIBUTION	M				
8	B-DD-5415633-0	BA23 SIGNAL DISTRIBUTION PANEL	E/M				
9	B-DD-H9278-A	8 SLOT BACKPLANE, H9278-A	E/M				
10	A-PS-3021749-0-0	H7864-A POWER SUPPLY (REV 20)	E/M				
11	D-AD-7021506-0-DBU	BAFFLE ASSY	M				
	K-PL-7021506-0-DBP	BAFFLE ASSY (PL)	M				
	D-MD-7429643-0-DBU	BAFFLE	M				
12	B-DD-5416744-0-0	FUNCTION SEL/SLU CONSOLE CONN	E/M				

TYPE: E ELECTRICAL
M MECHANICAL
E/M ELECTRO/MECHANICAL



TITLE: MICRO VAX II ASSY

SHEET 4 OF 4

SIZE CODE
B DD

NUMBER
7022385-0-DBU

REV.
A

LINE ITEM	TOP DOCUMENT	PART NUMBER	MIN REV	DESCRIPTION	QTY PER VARIATION
1	1	D-AD-7021860-0-DBU	7021860-02	MICRO VAX CHASSIS ASSY	1
2	2	B-DD-7022007-0-DBU	7022007-01	CONTROL PANEL ASSY.	1
3	3	B-DD-5416744-0-0	5416744-01	FUNCTION SEL/SLU CONSOLE CONNECT	1
4	4	A-PS-1700624-0-0	1700624-01	A CABLE, CONSOLE BACKPLANE	1
5	5	A-PS-1700712-0-0	1700712-02	A CABLE ASSY, 20PIN	1
6	6	A-PS-9009636-0-0	9009636-00	- CLAMP, CABLE, FOR FLAT CABLE	3
7	7	A-PS-9008264-0-0	9008264-00	MOUNT, CABLE TIE, ADHESIVE BACKE	1
8	8	A-PS-9007031-0-0	9007031-00	TIE, CABLE BUNDL. DIA 0- 3/4"=101	1
9	9	A-PS-9010174-0-0	9010174-00	C SCREW, SEMS PAN PHIL 6-	4

REVISION HISTORY			BASIC PART NO: 7022385		
ENG	ECO NUMBER	REV	SECTION A OF A	DRN: D. RICHARD	DATE: 28-DEC-84
---	INITIAL	A	SECTION VARIATION INDEX (A)01	CHK'D: D. HEALY	DATE: 20-FEB-85
			(B)	DES. ENG: J. MCMULLIN	DATE: 20-FEB-85
			(C)	RESP. ENG.: J. MCMULLIN	DATE: 20-FEB-85
			(D)	MFG. ENG.: K. WORTMAN	DATE: 20-FEB-85
			(E)		
			(F)	ASSEMBLY NUMBER: D-UA-7022385-0-DBU	TOP DOCUMENT NUMBER: B-DD-7022385-0-DBU
					FILE NAME: ML798A.PLS
					EDIT #: 16

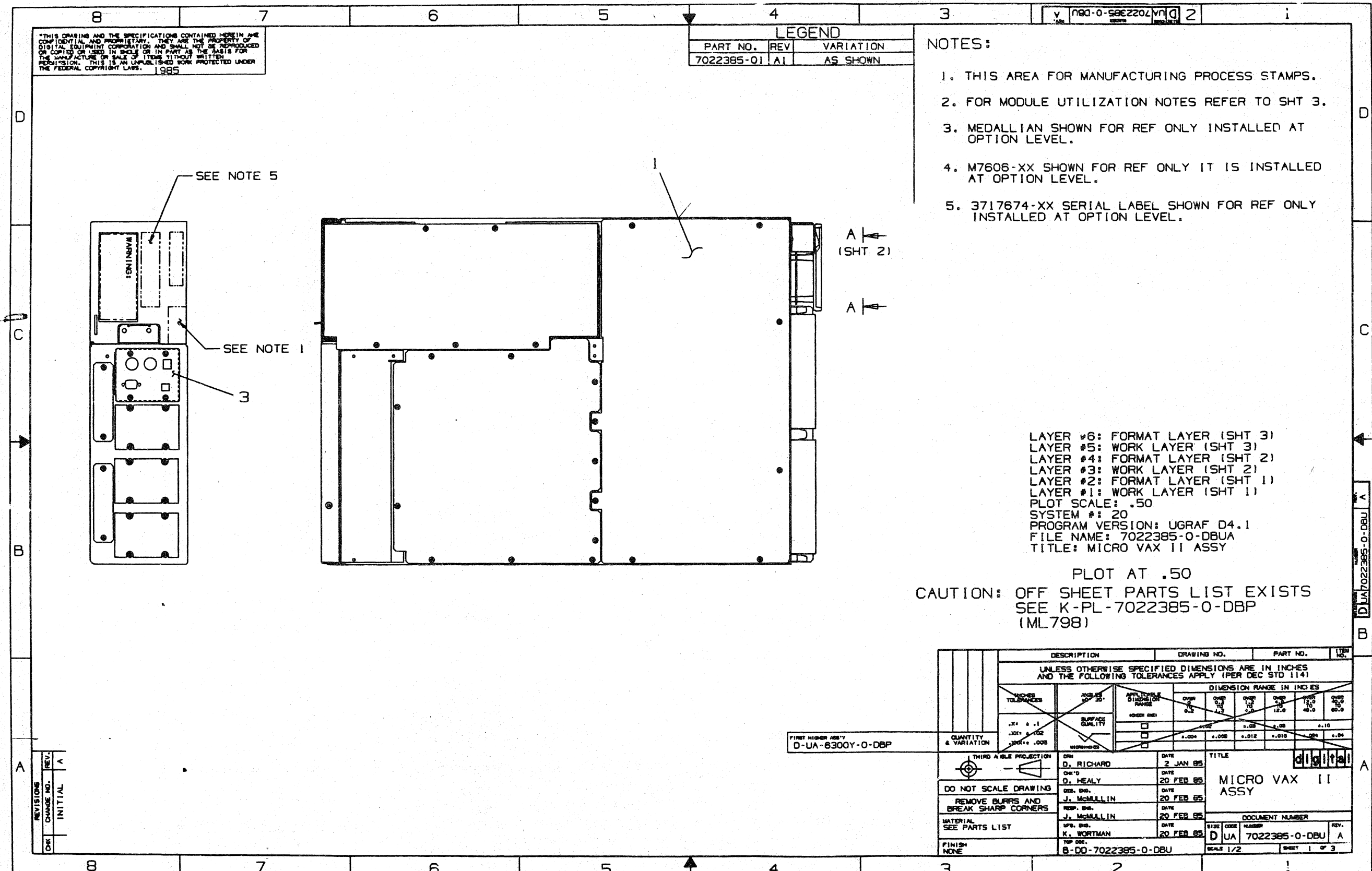
"THIS DRAWING AND THE SPECIFICATIONS CONTAINED HEREIN ARE CONFIDENTIAL AND PROPRIETARY. THEY ARE THE PROPERTY OF DIGITAL EQUIPMENT CORPORATION AND SHALL NOT BE REPRODUCED OR COPIED OR USED IN WHOLE OR IN PART AS THE BASIS FOR THE MANUFACTURE OR SALE OF ITEMS WITHOUT WRITTEN PERMISSION. THIS IS AN UNPUBLISHED WORK PROTECTED UNDER THE FEDERAL COPYRIGHT LAWS."

THIS DRAWING AND THE SPECIFICATIONS CONTAINED HEREIN ARE CONFIDENTIAL AND PROPRIETARY. THEY ARE THE PROPERTY OF DIGITAL EQUIPMENT CORPORATION AND SHALL NOT BE REPRODUCED OR COPIED OR USED IN WHOLE OR IN PART AS THE BASIS FOR THE MANUFACTURE OR SALE OF ITEMS WITHOUT WRITTEN PERMISSION. THIS IS AN UNPUBLISHED WORK PROTECTED UNDER THE FEDERAL COPYRIGHT LAWS. 1985

LEGEND		
PART NO.	REV	VARIATION
7022385-01	A1	AS SHOWN

NOTES:

1. THIS AREA FOR MANUFACTURING PROCESS STAMPS.
2. FOR MODULE UTILIZATION NOTES REFER TO SHT 3.
3. MEDALLIAN SHOWN FOR REF ONLY INSTALLED AT OPTION LEVEL.
4. M7606-XX SHOWN FOR REF ONLY IT IS INSTALLED AT OPTION LEVEL.
5. 3717674-XX SERIAL LABEL SHOWN FOR REF ONLY INSTALLED AT OPTION LEVEL.



LAYER #6: FORMAT LAYER (SHT 3)
 LAYER #5: WORK LAYER (SHT 3)
 LAYER #4: FORMAT LAYER (SHT 2)
 LAYER #3: WORK LAYER (SHT 2)
 LAYER #2: FORMAT LAYER (SHT 1)
 LAYER #1: WORK LAYER (SHT 1)
 PLOT SCALE: .50
 SYSTEM #: 20
 PROGRAM VERSION: UGRAF D4.1
 FILE NAME: 7022385-0-DBUA
 TITLE: MICRO VAX II ASSY

PLOT AT .50
 CAUTION: OFF SHEET PARTS LIST EXISTS
 SEE K-PL-7022385-0-DBP
 (ML798)

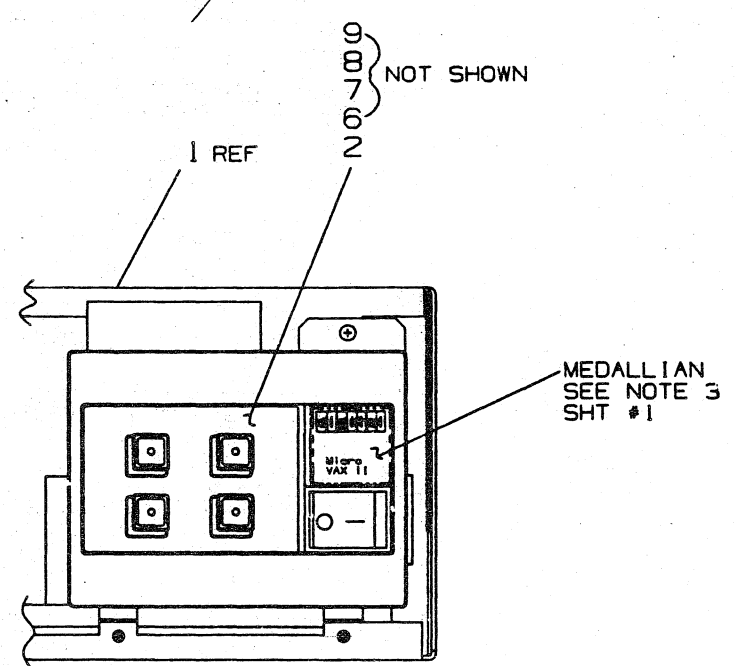
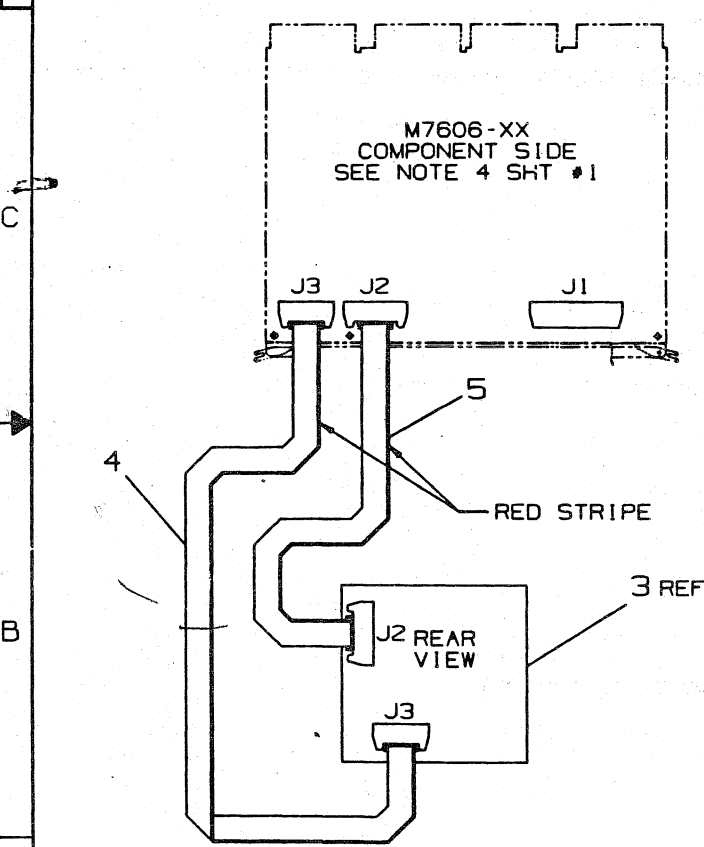
REV.	INITIAL
1	

DESCRIPTION	DRAWING NO.	PART NO.	ITEM NO.
UNLESS OTHERWISE SPECIFIED DIMENSIONS ARE IN INCHES AND THE FOLLOWING TOLERANCES APPLY (PER DEC STD 114)			
DIMENSION RANGE IN INCHES			
TOLERANCES			
SURFACE QUALITY			
QUANTITY & VARIATION			
THIRD ANGLE PROJECTION		DATE	TITLE
DO NOT SCALE DRAWING		DATE	MICRO VAX II ASSY
REMOVE BURRS AND BREAK SHARP CORNERS		DATE	
MATERIAL SEE PARTS LIST		DATE	DOCUMENT NUMBER
FINISH NONE		DATE	SIZE CODE NUMBER
FIRST HIGHER ASSY: D-UA-6300Y-0-DBP		DATE	7022385-0-DBU A
		TOP DET.	SCALE 1/2 SHEET 1 OF 3

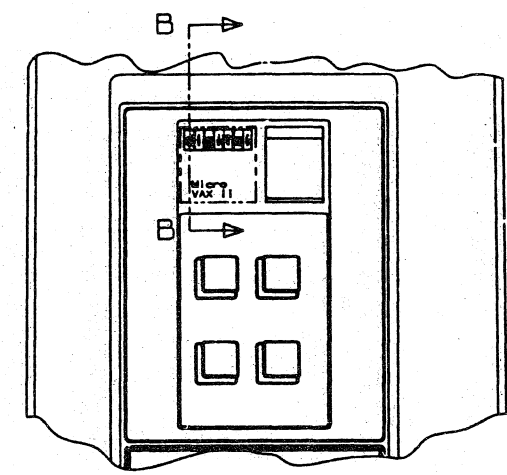
"THIS DRAWING AND THE SPECIFICATIONS CONTAINED HEREIN ARE CONFIDENTIAL AND PROPRIETARY. THEY ARE THE PROPERTY OF DIGITAL EQUIPMENT CORPORATION AND SHALL NOT BE REPRODUCED OR COPIED OR USED IN WHOLE OR IN PART AS THE BASIS FOR THE MANUFACTURE OR SALE OF ITEMS WITHOUT WRITTEN PERMISSION. THIS IS AN UNPUBLISHED WORK PROTECTED UNDER THE FEDERAL COPYRIGHT LAWS. 1985

ITEM NO.	FROM		TO		REMARKS
	CONN	ON	CONN	ON	
5	J2	M7606-XX	J2	ITEM 3	(1700712-02, A 20 PIN CABLE)
4	J3	M7606-XX	J3	ITEM 3	(1700624-01, A 10 PIN CABLE)

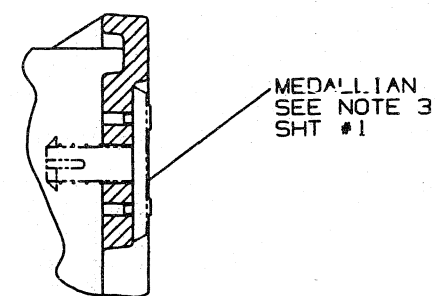
DUAL 7022385-0-DBU



VIEW A-A
SHOWING MEDALLION ORIENTATION FOR RACK MOUNTED SYSTEMS



VIEW A-A
SHOWING MEDALLION ORIENTATION PEDESTAL MOUNTED SYSTEMS



SECTION B-B
SCALE 2:1

PLOT AT .50

REVISIONS		
CHK	CHANGE NO	REV

THIS DRAWING AND THE SPECIFICATIONS CONTAINED HEREIN ARE CONFIDENTIAL AND PROPRIETARY. THEY ARE THE PROPERTY OF DIGITAL EQUIPMENT CORPORATION AND SHALL NOT BE REPRODUCED OR COPIED OR USED IN WHOLE OR IN PART AS THE BASIS FOR THE MANUFACTURE OR SALE OF ITEMS WITHOUT WRITTEN PERMISSION. THIS IS AN UNPUBLISHED WORK PROTECTED UNDER THE FEDERAL COPYRIGHT LAWS. 1985

V 080-0-582204 V 0 2

NOTES:

- BACKPLANE VIEWS ARE FROM THE MODULE SIDE
- THE AB ROWS OF SLOTS 1-8 AND THE CD ROWS OF SLOTS 4-8 ARE EACH LABELED "O-BUS" BECAUSE THEY ARE INTERCONNECTED PER THE O-BUS SPECIFICATION. THE NUMBER IN PARENTHESIS SHOWS THE PATH OF INTERRUPT AND DMA GRANT CONTINUITY; INCREASING VALUE DENOTES DECREASING PRIORITY.
- THE CD ROWS OF SLOTS 1-3 ARE LABELED "CD" BECAUSE THEY ARE CONNECTED PER THE "CD INTERCONNECT" SPECIFICATION. THIS INTERCONNECT CONNECTS SELECTED SIDE TWO PINS OF A GIVEN SLOT TO SIDE ONE PINS OF THE NEXT SLOT.
- THE BACKPLANE INCLUDES FOUR RESISTOR PACKS IN LOCATIONS XZ1, XZ2, XZ3 AND XZ4. THESE RESISTOR PACKS PROVIDE AN ADDITIONAL 120 OHMS OF TERMINATION TO THE Q22-BUS LINES.
- THE SYSTEM MAY CONTAIN UP TO TWO MS630 MEMORY MODULES, LOCATED IN SLOTS 2 AND 3 (A SINGLE MS630 MODULE MUST BE LOCATED IN SLOT 2). A QUAD HEIGHT MS630 (M7608-AA OR M7608-BA) FILLS THE ENTIRE SLOT. A DUAL HEIGHT MS630 (M7607-AA) OCCUPIES THE CD ROWS ONLY.
- IF SLOTS 2 AND 3 (OR SLOT 3) ARE NOT USED FOR MS630 MEMORY MODULE(S), AND ARE NOT REQUIRED FOR O-BUS OPTIONS, THEN RESERVE THEM (IT) FOR FUTURE MEMORY MODULE EXPANSION WITH M9047 GRANT CONTINUITY CARD(S) IN ROW A.
- QUAD HEIGHT O-BUS OPTIONS MAY BE ADDED TO ANY OPEN SLOTS, AND DUAL HEIGHT O-BUS OPTIONS MAY BE ADDED TO ANY OPEN "O-BUS" HALF SLOTS. ALL UNUSED "O-BUS" HALF SLOTS WHICH PRECEDE THE LAST OPTION MUST CONTAIN GRANT CONTINUITY MODULES (M9047) TO PASS GRANTS TO MODULES OF A LOWER PRIORITY. UNUSED "CD" HALF SLOTS ARE LEFT VACANT. (NOTES 2 AND 3 IDENTIFY THE "O-BUS" AND "CD" HALF SLOTS).
- FOR MORE INFORMATION ON BACKPLANE SLOT ASSIGNMENTS, REFER TO THE SYSTEM TECHNICAL MANUAL.

THE MODULE UTILIZATION FOR THE FIRST SLOT IS AS FOLLOWS:

M7608-AA, BA, CA OR DA

POSSIBLE MODULE UTILIZATIONS FOR SLOTS 2 AND 3 ARE AS FOLLOWS (SEE NOTES 5, 6, 7 AND 8 THIS SHT):

M7608-AA OR M7608-BA

DUAL HEIGHT OPTION M7607-AA OR EMPTY

M9047 EMPTY M7607-AA OR EMPTY

QUAD HEIGHT OPTION

POSSIBLE MODULE UTILIZATION FOR SLOTS 4-8 ARE AS FOLLOWS (SEE NOTES 7 AND 8 THIS SHT):

QUAD HEIGHT OPTION

DUAL HEIGHT OPTION DUAL HEIGHT OPTION

DUAL HEIGHT OPTION M9047 EMPTY

M9047 EMPTY DUAL HEIGHT OPTION

A B C D

SEE NOTES 1, 2 AND 3 THIS SHT

	A-B	C-D
1	O-BUS (1)	CD
2	O-BUS (2)	CD
3	O-BUS (3)	CD
4	O-BUS (4)	O-BUS (5)
5	O-BUS (6)	O-BUS (7)
6	O-BUS (8)	O-BUS (9)
7	O-BUS (10)	O-BUS (11)
8	O-BUS (12)	O-BUS (13)
	XZ1	XZ2
	XZ3	XZ4

SEE NOTE 4 THIS SHT

REVISIONS		
CHK	CHANGE NO	REV

PLOT AT .50

TITLE	MICRO VAX 11 ASSY	SIZE CODE	DUA	NUMBER	7022385-0-DBU	REV	A
SCALE	1/2	SHEET	3	OF	3	DIST	

LINE	ITEM	TOP DOCUMENT	PART NUMBER	MIN REV	DESCRIPTION	QTY PER VARIATION	
						01	02
1	1	D-AD-7019985-0-DBU	7019985-00		CHASSIS ASSY.	1	-
2	2		H7864-A		5V 36A,+12V 6A MAX (230W TGTAL),	1	1
3	3	C-IA-7020449-0-DBU	7020449-0D		CABLE, FAN	1	1
4	4	D-IA-7020435-0-DBU	7020435-1K		CABLE, DC POWER DRIVE	1	1
5	5	D-IA-7020450-0-DBU	7020450-01		CABLE, D.C. POWER BACKPLANE	1	1
6	6	D-IA-7427751-0-DBU	7427751-01		COVER,LOGIC	1	1
7	7	K-PL-MSV22-P-DBP	MSV11-PL		*** THIS ITEM IS NOT USED ***	-	-
8	8	D-AD-7021506-0-DBU	7021506-01		BAFFLE ASSY.	1	1
9	9	C-AD-7021150-0-DBU	7021150-01		*** THIS ITEM IS NOT USED ***	-	-
10	10	A-PS-9000049-0-0	9000049-01		SCREW,SEMS PAN PHIL 6-	44	24
11	11	C-MD-7427574-0-DBU	7427574-01		PLATE,COVER	3	-
12	12	D-AD-7019979-0-DBU	7019979-00		DOOR, PATCH PANEL	1	-
13	13	C-MD-7428683-0-DBU	7428683-01		PLATE,CONNECTOR BLANK	2	-
14	14	C-IA-7018448-0-0	7018448-00		*** THIS ITEM IS NOT USED ***	-	-
15	15	A-PS-9009991-0-0	9009991-00		NUT,HEX EXT TOOTH LCKWSHR 6-32	2	-
16	16	A-PS-9006659-0-0	9006659-00		WASHER,FLAT S/PAS	2	-
17	17	K-PL-RX50-M-DBP	RX50 -M		RX50-AA + 17-00285-02 CABLE FOR	REF	REF
18	18	K-PL-RD51-M-DBP	RD51 -M		RD51-A + 17-00282 AND 17-00286 C	REF	REF
19	19	K-PL-RD52-M-DBP	RD52 -M		RD52-A + 17-00282 AND 17-00286 C	REF	REF
20	20	K-PL-RQDS1-M-DBP	RQDX1-M		*** THIS ITEM IS NOT USED ***	-	-
21	21	D-UA-M7135-0-0	M7135-00		*** THIS ITEM IS NOT USED ***	-	-
22	22	D-UA-M7136-0-0	M7136-00		*** THIS ITEM IS NOT USED ***	-	-
23	23	D-UA-M7135-0-0	M7135-YA		*** THIS ITEM IS NOT USED ***	-	-
24	24	D-MD-7427564-0-DBU	7427564-01		COVER,RX/RD	1	1
25	25	D-IA-1700563-0-DBU	1700563-01		*** THIS ITEM IS NOT USED ***	-	-
26	26	D-IA-7011411-0-0	7011411-1C		*** THIS ITEM IS NOT USED ***	-	-
27	27	A-PS-3020444-0-0	3020444-01		*** THIS ITEM IS NOT USED ***	-	-
28	28	D-AD-7019985-0-DBU	7019985-01		CHASSIS	-	1
29	29		9010174-01		SCREW,SEMS PAN PHIL 8-	-	4
30	30		7019986-00		BP/SD ASSY.	-	1

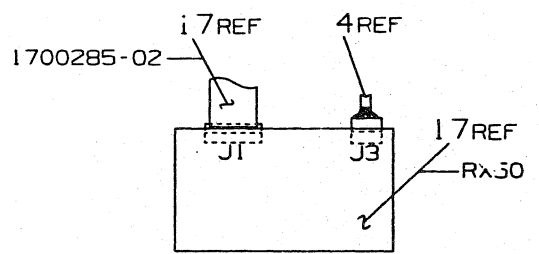
REVISION HISTORY			BASIC PART NO: 7021860		DRN:	T. COTE	DATE: 13-JAN-84	D I G I T A L			
ENG	ECO NUMBER	REV	SECTION A OF A	SECTION VARIATION INDEX	CHK'D:	R. KIZINA	DATE: 27-FEB-84	TITLE PARTS LIST			
---	INITIAL	A		[A]01,02				MICRO CHASSIS ASSY			
RE	7021860-ML001	B			DES.ENG:	L. KIZINA	DATE: 27-FEB-84	DOCUMENT NUMBER			
PH	7021860-ML002	C		[B]				SIZE	CODE	NUMBER	REV
RE	7021860-TW003	D		[C]	RESP.ENG.:	P. SCHNORR	DATE: 27-FEB-84	K	PL	7021860-0-DBP	E
RL	7021860-TW004	E		[D]	MFG.ENG.:	D. FOSSI	DATE: 27-FEB-84	RELEASE DATE: 24-APR-85			
				[E]	ASSEMBLY NUMBER:		TOP DOCUMENT NUMBER:	FILE NAME:	EDIT #		
				[F]	D-AD-7021860-0-DBU		D-AD-7021860-0-DBU	Z8900E.PLS	3		

"THIS DRAWING AND THE SPECIFICATIONS CONTAINED HEREIN ARE CONFIDENTIAL AND PROPRIETARY. THEY ARE THE PROPERTY OF DIGITAL EQUIPMENT CORPORATION AND SHALL NOT BE REPRODUCED OR COPIED OR USED IN WHOLE OR IN PART AS THE BASIS FOR THE MANUFACTURE OR SALE OF ITEMS WITHOUT WRITTEN PERMISSION. THIS IS AN UNPUBLISHED WORK PROTECTED UNDER THE FEDERAL COPYRIGHT LAWS."

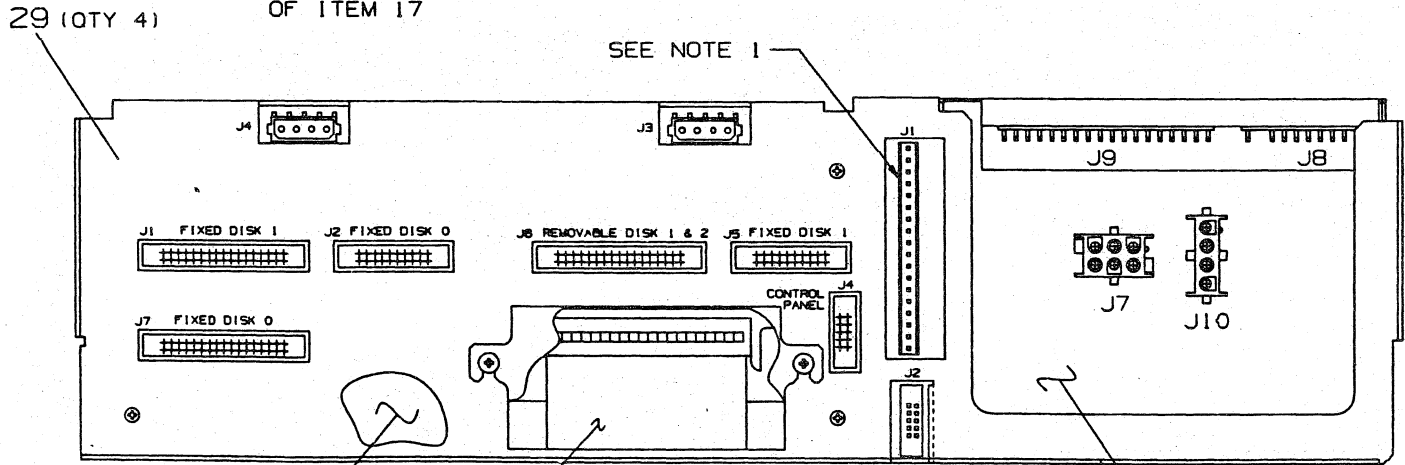
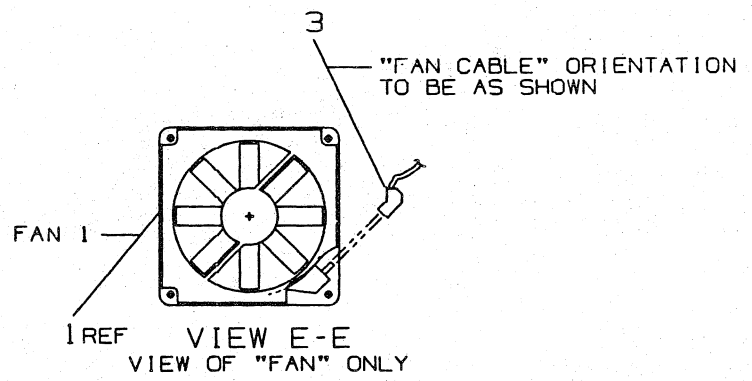
"THIS DRAWING AND SPECIFICATIONS, HEREIN, ARE THE PROPERTY OF DIGITAL EQUIPMENT CORPORATION AND SHALL NOT BE REPRODUCED OR COPIED OR USED IN WHOLE OR IN PART AS THE BASIS FOR THE MANUFACTURE OR SALE OF ITEMS WITHOUT WRITTEN PERMISSION. COPYRIGHT © 1985 DIGITAL EQUIPMENT CORPORATION"

CABLE LEGEND					
WITH ITEM	FROM		TO		REMARKS (SEE VIEW A-A)
	CONN	WITH	CONN	WITH	
3	J10	ITEM 27	FAN 1	ITEM 1	SEE VIEW E-E
4	J8	ITEM 27	J3	ITEM 17	
			J3	ITEM 18 OR 19	
5	J9	ITEM 27	J1	ITEM 1	SEE NOTE 1
17	J6	ITEM 1	J1	ITEM 17	REMOVABLE DISK 1 & 2
OR 18 OR 19	J2	ITEM 1	J2	ITEM 18 OR 19	FIXED DISK 0
OR 18 OR 19	J7	ITEM 1	J1	ITEM 18 OR 19	FIXED DISK 0
4	J8	ITEM 27	J3	ITEM 1	WHEN NO DRIVE IN VIEW B-B
4	J8	ITEM 27	J4	ITEM 1	WHEN NO DRIVE IN VIEW C-C

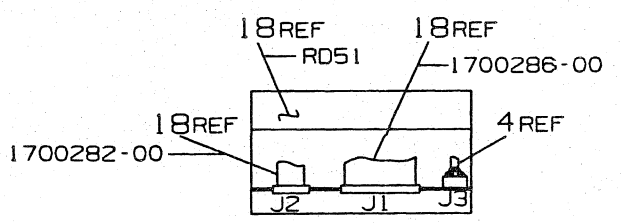
CABLE LEGEND CONT.					
WITH ITEM	FROM		TO		REMARKS
	CONN	WITH	CONN	WITH	
OR 18 OR 19	J1	ITEM 1	J1	ITEM 18 OR 19	FIXED DISK 1
OR 18 OR 19	J5	ITEM 1	J2	ITEM 18 OR 19	FIXED DISK 1



VIEW B-B
REAR VIEW OF ITEM 17



VIEW A-A



VIEW C-C
REAR VIEW OF ITEM 18 OR 19

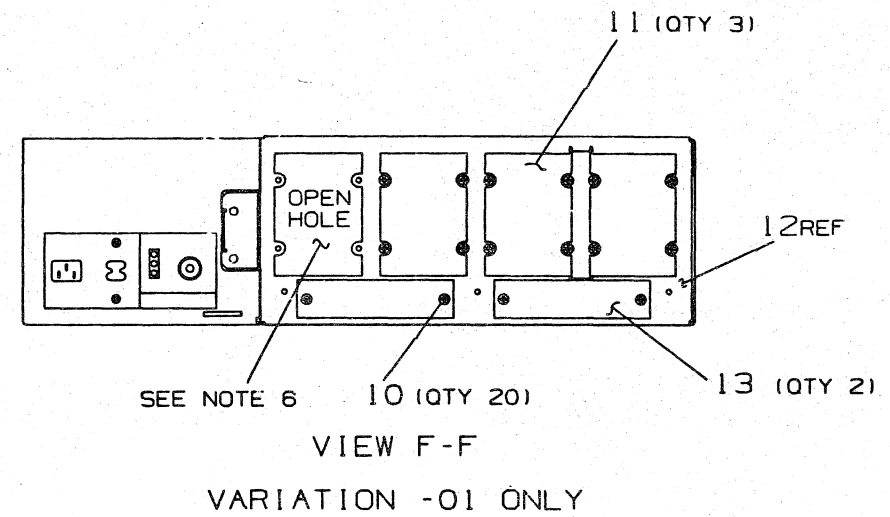
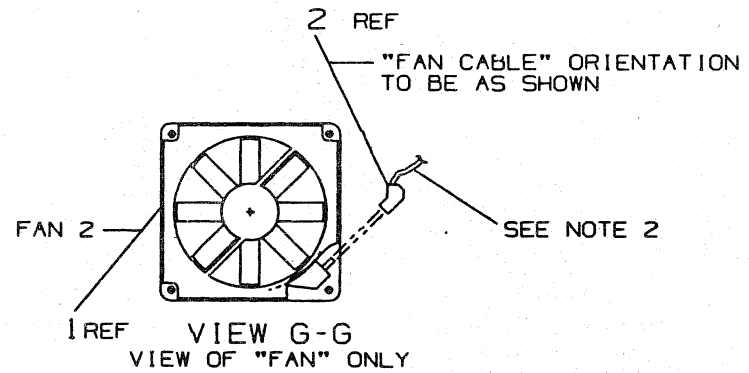
REVISIONS		
CHK	CHANGE NO	REV

TITLE	MICRO CHASSIS ASSY	SIZE CODE	D AD	NUMBER	7021860-0-DBU	REV	E
SCALE	1/2	SHEET	2	OF	3	DIST	

THIS DRAWING AND SPECIFICATIONS, HEREIN, ARE THE PROPERTY OF DIGITAL EQUIPMENT CORPORATION AND SHALL NOT BE REPRODUCED OR COPIED OR USED IN WHOLE OR IN PART AS THE BASIS FOR THE MANUFACTURE OR SALE OF ITEMS WITHOUT WRITTEN PERMISSION. COPYRIGHT © 1985 DIGITAL EQUIPMENT CORPORATION

PART NUMBER
 D AD 7021860-0-DBU
 REV. E

PART NUMBER
 D AD 7021860-0-DBU
 REV. E



REVISIONS		
CHK	CHANGE NO	REV

TITLE MICRO VAX CHASSIS ASSY
 SCALE 1/2 SHEET 3 OF 3
 SIZE CODE D AD
 NUMBER 7021860-0-DBU
 REV E

PART NUMBER
 D AD 7021860-0-DBU
 REV. E

A

A

B

B

C

C

D

D

8

7

6

5

4

3

2

1

8

7

6

5

4

3

2

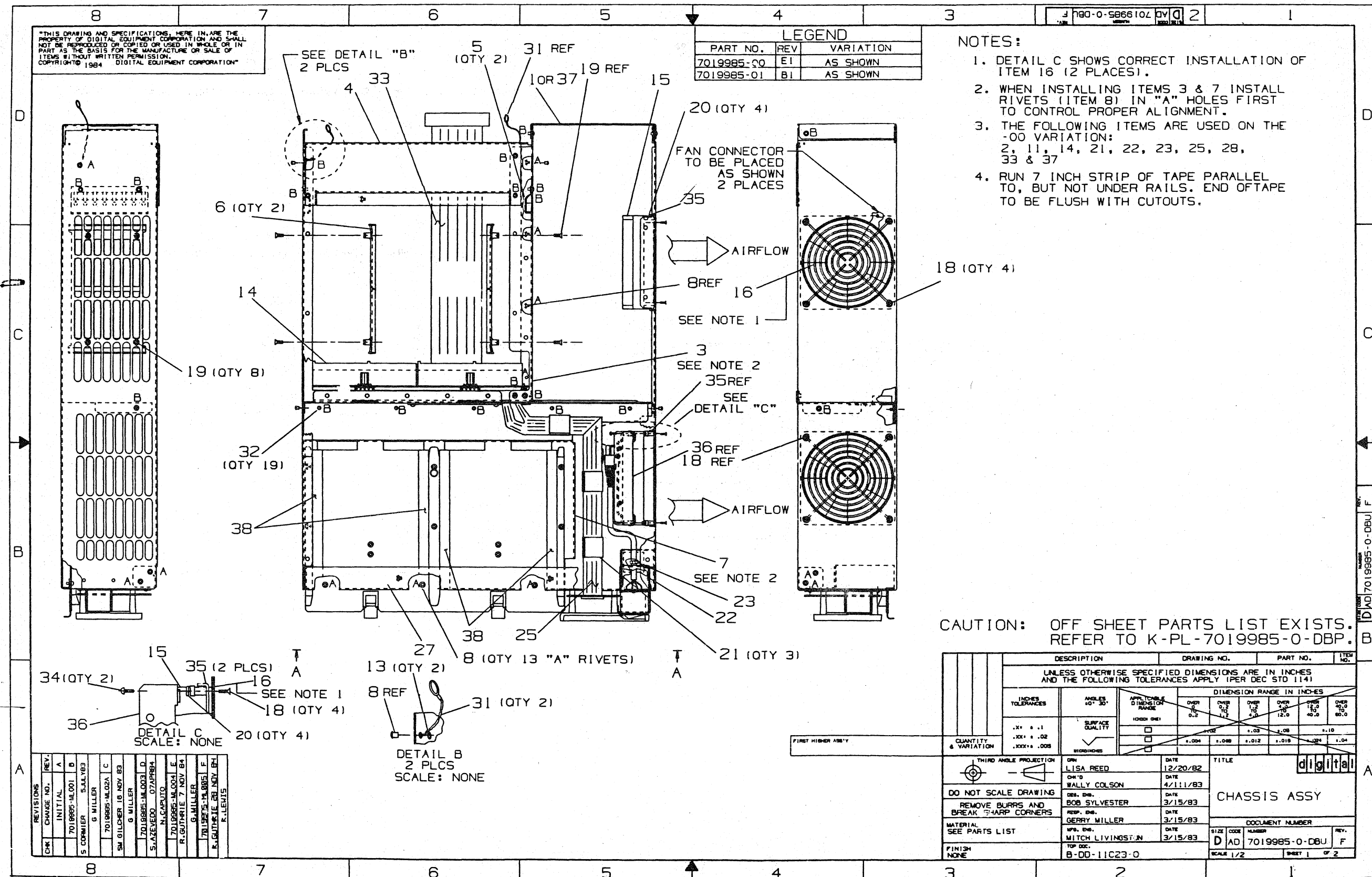
1

TW

THIS DRAWING AND SPECIFICATIONS, HEREIN, ARE THE PROPERTY OF DIGITAL EQUIPMENT CORPORATION AND SHALL NOT BE REPRODUCED OR COPIED OR USED IN WHOLE OR IN PART AS THE BASIS FOR THE MANUFACTURE OR SALE OF ITEMS WITHOUT WRITTEN PERMISSION. COPYRIGHT © 1984 DIGITAL EQUIPMENT CORPORATION

LEGEND		
PART NO.	REV	VARIATION
7019985-00	E1	AS SHOWN
7019985-01	B1	AS SHOWN

- NOTES:
1. DETAIL C SHOWS CORRECT INSTALLATION OF ITEM 16 (2 PLACES).
 2. WHEN INSTALLING ITEMS 3 & 7 INSTALL RIVETS (ITEM 8) IN "A" HOLES FIRST TO CONTROL PROPER ALIGNMENT.
 3. THE FOLLOWING ITEMS ARE USED ON THE -00 VARIATION:
2, 11, 14, 21, 22, 23, 25, 28, 33 & 37
 4. RUN 7 INCH STRIP OF TAPE PARALLEL TO, BUT NOT UNDER RAILS. END OF TAPE TO BE FLUSH WITH CUTOUTS.



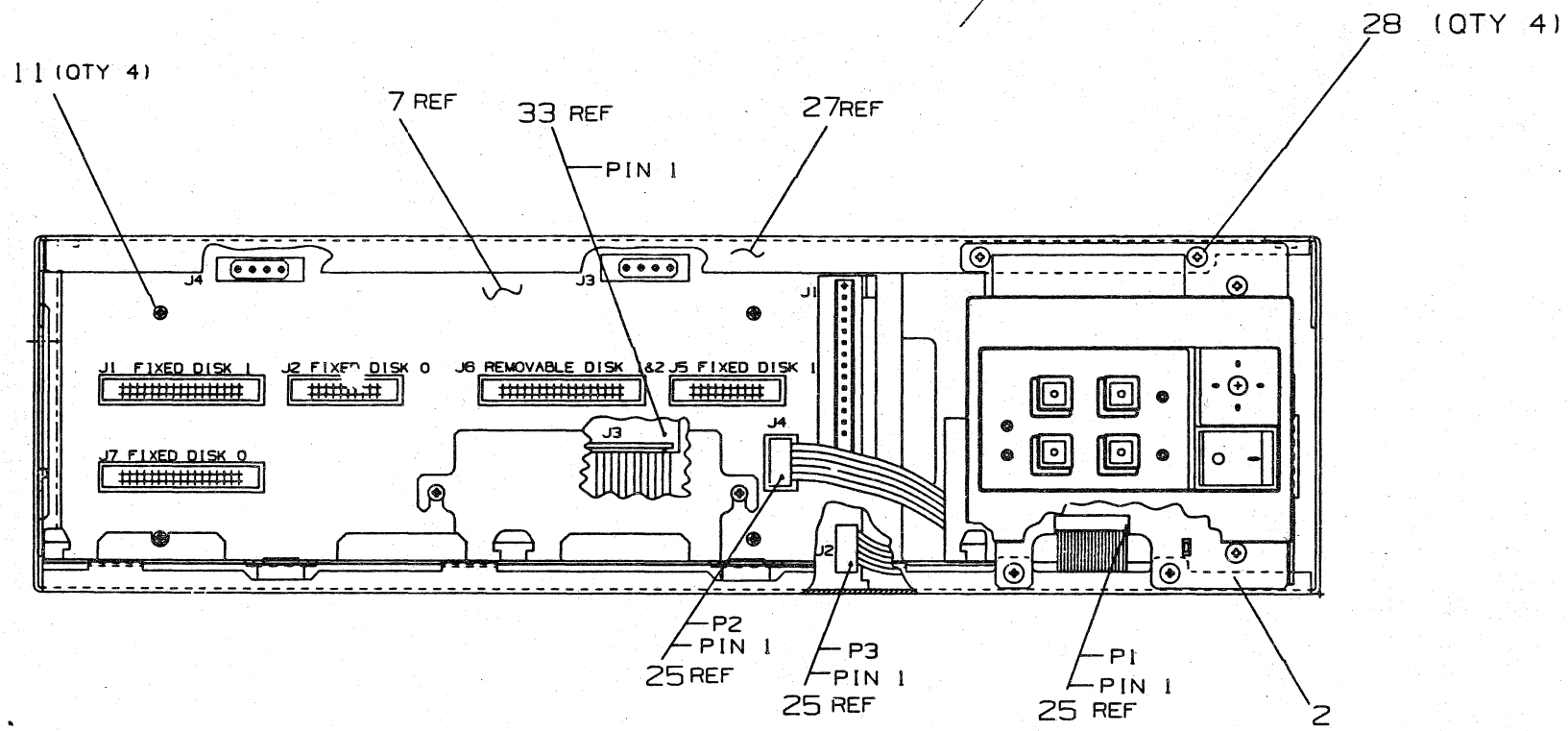
CAUTION: OFF SHEET PARTS LIST EXISTS. REFER TO K-PL-7019985-0-DBP.

REV.	CHARGE NO.	INITIAL	DATE
A	7019985-ML001	S. CORNIE	5.11.83
B	7019985-ML02A	G. MILLER	18 NOV 83
C	7019985-ML003	G. MILLER	07 APR 84
D	7019985-ML004	N. CAPUTO	7 NOV 84
E	7019985-ML005	G. MILLER	28 NOV 84
F	7019985-ML005	R. GUTHRIE	28 NOV 84
		R. LEWIS	

DESCRIPTION	DRAWING NO.	PART NO.	ITEM NO.
UNLESS OTHERWISE SPECIFIED DIMENSIONS ARE IN INCHES AND THE FOLLOWING TOLERANCES APPLY (PER DEC STD 114)			
INCHES TOLERANCES	ANGLES ±0° 30'	APPLICABLE DIMENSION RANGE	
		DIMENSION RANGE IN INCHES	
.XX ± .1 .XXX ± .02 .XXX ± .005	SURFACE QUALITY	OVER 0.2	OVER 0.2
		OVER 0.2	OVER 0.2
MICROINCHES	FINISH	OVER 0.2	OVER 0.2
		OVER 0.2	OVER 0.2
THIRD ANGLE PROJECTION	DRN LISA REED	DATE 12/20/82	TITLE digital
DO NOT SCALE DRAWING	CHK'D WALLY COLSON	DATE 4/11/83	CHASSIS ASSY
REMOVE BURRS AND BREAK SHARP CORNERS	DES. ENG. BOB SYLVESTER	DATE 3/15/83	
MATERIAL SEE PARTS LIST	RESP. ENG. GERRY MILLER	DATE 3/15/83	DOCUMENT NUMBER
FINISH NONE	MFG. ENG. MITCH LIVINGSTON	DATE 3/15/83	SIZE CODE NUMBER
	TOP DOC. B-DD-11C23-0		D AD 7019985-0-DBU F
			SCALE 1/2 SHEET 1 OF 2

THIS DRAWING AND SPECIFICATIONS HEREIN ARE THE PROPERTY OF DIGITAL EQUIPMENT CORPORATION AND SHALL NOT BE REPRODUCED OR COPIED OR USED IN WHOLE OR IN PART AS THE BASIS FOR THE MANUFACTURE OR SALE OF ITEMS WITHOUT WRITTEN PERMISSION. COPYRIGHT © 1984 DIGITAL EQUIPMENT CORPORATION

CABLE LEGEND					
ITEM NO.	FROM		TO		REMARKS
	CONN.	WITH	CONN.	WITH	
25	J1-11	ITEM 2	J2 J4	ITEM 14 ITEM 14	BACK PLANE DIST. BRD.
33	J3	ITEM 14 DIST. BRD.	—	—	FREE END



VIEW: A-A
SCALE: 1/1

REVISIONS		
CHK	CHANGE NO	REV

TITLE	CHASSIS ASSY	SIZE CODE	D AD	NUMBER	7019985-0-DBU	REV	F
SCALE	1/2	SHEET	2	OF	2	DIST	

LINE	ITEM	TOP DOCUMENT	PART NUMBER	MIN REV	DESCRIPTION	QTY	PER VARIATION
					VARIATION REVISION LEVEL:	00	01
						E1	B1
1	1	E-IA-7427541-0-DBU	7427541-01		CHASSIS	REF	1
2	2	D-AD-7020695-0-DBU	7020695-01		PLATE, CONTROL PANEL ASSY	1	-
3	3	E-IA-7427553-0-DBU	7427553-01		PARTITION	REF	1
4	4	D-IA-7427545-0-DBU	7427545-01		COVER, LOGIC FIXED	REF	1
5	5	C-MD-7427542-0-DBU	7427542-01		PLATE,EJECTOR	REF	2
6	6	E-MD-7427555-0-DBU	7427555-01		GUIDE,CARD	REF	2
7	7	D-IA-7020269-0-DBU	7020269-00		RX/RD SUPPORT ASSY.	REF	1
8	8		9008521-00		RIVET,BLIND FLUSH 0.125DX0.337	REF	13
9	9		9010109-00		*** THIS ITEM IS NOT USED ***	-	-
10	10		9008416-00		*** THIS ITEM IS NOT USED ***	-	-
11	11		9010174-01		SCREW,SEMS PAN PHIL 8-	4	-
12	12		9009626-00		*** THIS ITEM IS NOT USED ***	-	-
13	13		9008659-00		WASHER,FLAT S/PAS	REF	2
14	14	D-AD-7019986-0-DBU	7019986-00		BP/SD ASSY.	1	-
15	15		1217556-01		FAN,TUBE AXIAL 4.5" 105CFM 12V	REF	2
16	16		1210263-01		GUARD,FINGER 4.125 X 4.125 NO OF	REF	2
17	17		9008055-00		*** THIS ITEM IS NOT USED ***	-	-
18	18		9006026-02		SCREW,MACH FLAT PHIL 6-	REF	8
19	19		1221007-01		SCREW,TAP FLAT PHIL THD CT 6-	REF	8
20	20		9009165-00		CLIP, FAN MOUNTING (12-05033 FAN	REF	8
21	21		9009636-00		CLAMP, CABLE, FOR FLAT CABLE	3	-
22	22		9008264-00		MOUNT, CABLE TIE, ADHESIVE BACKE	1	-
23	23		7007031-00		TIE,CABLE BUNDL.DIA 0- 3/4"=101	1	-
24	24		1212907-00		*** THIS ITEM IS NOT USED ***	-	-
25	25		7020451-1C		CABLE, FRONT PANEL TO BACKPLANE	1	-
26	26		BC06L-1C		*** THIS ITEM IS NOT USED ***	-	-
27	27	D-IA-7427552-0-DBU	7427552-01		SUPPORT CHASSIS FRONT	REF	1
28	28		9010174-00		SCREW,SEMS PAN PHIL 6-	4	-
29	29		1210263-00		*** THIS ITEM IS NOT USED ***	-	-
30	30		9000030-28		*** THIS ITEM IS NOT USED ***	-	-

REVISION HISTORY			BASIC PART NO: 7019985			DRN: D. ROBINSON			DATE: 27-SEP-82			DIGITAL			
ENG	ECO NUMBER	REV	SECTION A OF A			CHK'D: W. COLSON			DATE: 8-APR-83			TITLE PARTS LIST			
---	INITIAL	A	SECTION.VARIATION INDEX			DES.ENG: R. SYLVESTER <td colspan="3">DATE: 7-APR-83 <td colspan="3">DOCUMENT NUMBER</td> </td>			DATE: 7-APR-83 <td colspan="3">DOCUMENT NUMBER</td>			DOCUMENT NUMBER			
GM	7019985-ML001	B	[A]00,01			RESP.ENG.: G. MILLER <td colspan="3">DATE: 7-APR-83 <td>SIZE</td> <td>CODE</td> <td>NUMBER</td> <td>REV</td> </td>			DATE: 7-APR-83 <td>SIZE</td> <td>CODE</td> <td>NUMBER</td> <td>REV</td>			SIZE	CODE	NUMBER	REV
GM	7019985-ML002	C				MFG.ENG.: M. LIVINGSTON <td colspan="3">DATE: 7-APR-83 <td>K</td> <td>PL</td> <td>7019985-0-DBP</td> <td>F</td> </td>			DATE: 7-APR-83 <td>K</td> <td>PL</td> <td>7019985-0-DBP</td> <td>F</td>			K	PL	7019985-0-DBP	F
NC	7019985-ML003	D	[B]			ASSEMBLY NUMBER:			TOP DOCUMENT NUMBER:			FILE NAME:			
GM	7019985-ML004	E	[C]			D-AD-7019985-0-DBU			#B-DD-11C23-0			Z5433F.PLS			
RL	7019985-ML005	F	[D]									RELEASE DATE: 12-DEC-84			
			[E]												
			[F]												
												EDIT #			
												12			

"THIS DRAWING AND THE SPECIFICATIONS CONTAINED HEREIN ARE CONFIDENTIAL AND PROPRIETARY. THEY ARE THE PROPERTY OF DIGITAL EQUIPMENT CORPORATION AND SHALL NOT BE REPRODUCED OR COPIED OR USED IN WHOLE OR IN PART AS THE BASIS FOR THE MANUFACTURE OR SALE OF ITEMS WITHOUT WRITTEN PERMISSION. THIS IS AN UNPUBLISHED WORK PROTECTED UNDER THE FEDERAL COPYRIGHT LAWS."

AUTOMATED BY PRTLST.4Q(47)

PARTS LIST

SHEET A2 OF A2

LINE	ITEM	TOP DOCUMENT	PART NUMBER	MIN REV	DESCRIPTION	QTY PER VARIATION	
						00	01
					VARIATION REVISION LEVEL:	E1	B1
31	31		1212907-01		CABLE ASSY,NYLON,6"LG,CRIMPED	REF	2
32	32		9009054-00		RIVET,BLIND DOME 0.125DX0.337	REF	19
33	33		BC02D-1D		16" 50-COND SHIELDED SIGNAL 3M C	1	-
34	34		9006025-01		SCREW,MACH PAN PHIL 6-	REF	2
35	35		7429645-01		SPACER,FAN	REF	2
36	36		7429789-01		BRACKET,FAN BAFFLE	REF	1
37	37		7019985-01		CHASSIS	1	-
38	38		1213823-00		TAPE,TEF-FBG ADH .75 WDX .22	A/R	A/R

D	I	G	I	T	A	L	TITLE	CHASSIS ASSY	SECTION A	OF A	SIZE	CODE	DOCUMENT NUMBER	REV
											K	PL	7019985-0-DBP	F

DRAWING NO.	NO. OF SHTS.	PART NO.	DESCRIPTION	REVISIONS												
				1	2	3	4	5	6	7	8	9	10	11	12	
		5415633-00	BA23 SIGNAL DISTRIBUTION PANEL	A1												
E-UA-5415633-0-0	1		BA23 SIGNAL DISTRIBUTION PANEL	A												
D-CS-5415633-0-1	1		BA23 SIGNAL DISTRIBUTION PANEL	A												
K-PL-5415633-0-DBP	1		BA23 SIGNAL DISTRIBUTION PANEL	A												
K-PC-5415633-0-DBI			P.C. DESIGN DATA BASE	C												
		5015632-00	ETCHED CIRCUIT BOARD	C1												
B-DD-5015632-0-0	1		DRAWING DIRECTORY	A												

NOTES:

REVISIONS		
DATE	CHG NO.	REV.
12/82	INIT	A

"THIS DRAWING AND SPECIFICATIONS, HEREIN, ARE THE PROPERTY OF DIGITAL EQUIPMENT CORPORATION AND SHALL NOT BE REPRODUCED OR COPIED OR USED IN WHOLE OR IN PART AS THE BASIS FOR THE MANUFACTURE OR SALE OF ITEMS WITHOUT WRITTEN PERMISSION.
 COPYRIGHT© 1982 DIGITAL EQUIPMENT CORPORATION



USED ON OPTION/MODEL	DRN.	DATE
	PEG LENNON	13DEC82
	DICK BARRIERE	16DEC82
	AL DELUCA	16DEC82
	M. LIVINGSTON	16DEC82

TITLE		
BA23 SIGNAL DISTRIBUTION PANEL		
SIZE	CODE	NUMBER
B	DD	5415633-0-0
REV.		
A		
SHEET 1 OF 1		

AUTOMATED BY PRTLST.4Q(50)

P A R T S L I S T

SHEET A1 OF A1

LINE	ITEM	DOCUMENT NUMBER	PART NUMBER	DESCRIPTION	QTY PER VARIATION 00	REFERENCE DESIGNATOR
1	1	D-MD-5015632-0-0	5015632-00	CIRCUIT DRILL AND ETCH	1	
2	2		1214886-00	PCB,HEADER 20POS(2X10).100CC	2	J2,J5
3	3		1214886-03	PCB,HEADER 10POS(2X05).100CC	1	J4
4	4		1214886-02	PCB,HEADER 34POS (2X17).100CC	3	J1,J6,J7
5	5		1216832-03	PCB,HEADER 50POS(2X25).100CC 90D	1	J3

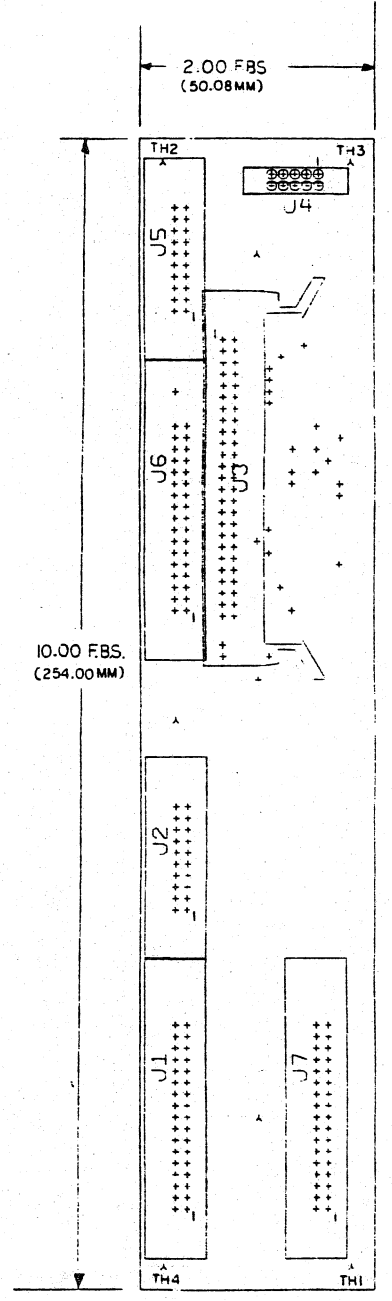
REVISION HISTORY		BASIC PART NO: 5415633		DRN: BOB BARILONE	DATE: 15-OCT-82	D I G I T A L			
ENG	ECO NUMBER	REV	SECTION A OF A	CHK'D: DICK BARRIERE	DATE: 15-OCT-82	TITLE		PARTS LIST	
	INITIAL	A	SECTION VARIATION INDEX	DES.ENG: DICK MILLER	DATE: 15-OCT-82	BA23 SIGNAL DIST. PANEL			
			[A] 00	RESP.ENG.: A. DELUCA	DATE: 15-OCT-82	DOCUMENT NUMBER			
			[B]	MFG.ENG.: M. LIVINGSTON	DATE: 15-OCT-82	SIZE	CODE	NUMBER	REV
			[C]	ASSEMBLY NUMBER:	TOP DOCUMENT NUMBER:	K	PL	5415633-0-DBP	A
			[D]	E-UA-5415633-0-0	B-DD-5415633-0-0	FILE NAME:		EDIT #	
			[E]			Z4897A.PLS		5	
			[F]	"THIS DRAWING AND SPECIFICATIONS HEREIN, ARE THE PROPERTY OF DIGITAL EQUIPMENT CORPORATION AND SHALL NOT BE REPRODUCED OR COPIED OR USED IN WHOLE OR IN PART AS THE BASIS FOR THE MANUFACTURE OR SALE OF ITEMS WITHOUT WRITTEN PERMISSION. COPYRIGHT (C) 1983. DIGITAL EQUIPMENT CORPORATION "					
			[G]						
			[H]						
			[J]						
			[K]						
			[L]						
			[M]						
			[N]						

A B C D E F H J

0

FOR OFFICE USE ONLY
DATE: 1/27/74
BY: [Signature]
TITLE: RA23 SIGNAL
DISTRIBUTION PAN
U.S. AIR FORCE
AFSC: 15415633-0-0

8 7 6 5 4 3 2 1



NOTES:
1. [Blank]

STEP	1	2	3	4	5	6	7	8	9	10
REPT	1	1	1	1	1	1	1	1	1	1
DATE										
BY										
CHK'D										
APPROVED										

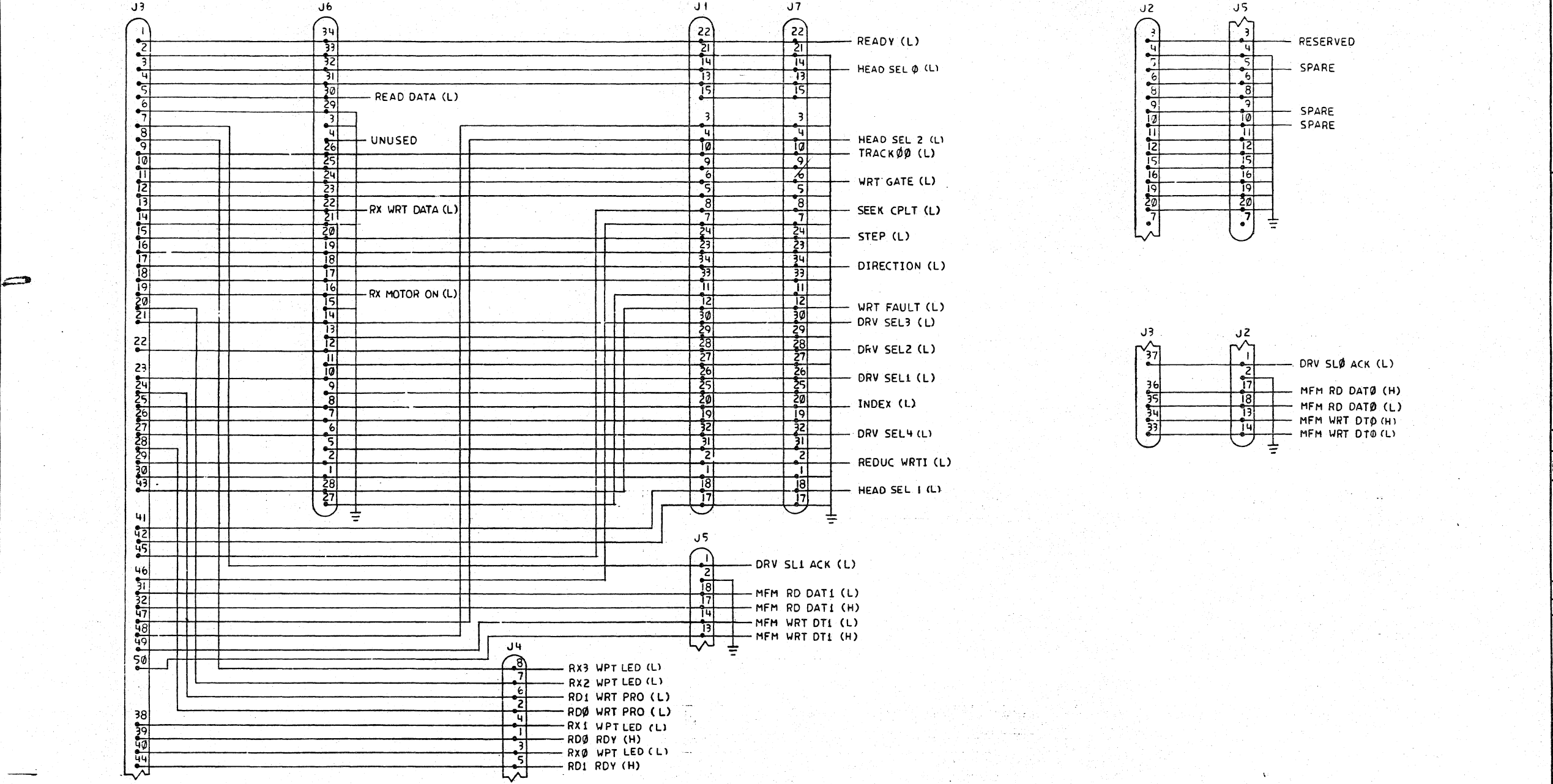
CHANGE NO. REV.

REVISIONS

NO.	1	2	3	4	5	6	7	8	9	10
DATE										
BY										
CHK'D										
APPROVED										

A B C D E F H J

THIS DRAWING AND SPECIFICATIONS HEREIN ARE THE PROPERTY OF DIGITAL EQUIPMENT CORPORATION AND SHALL NOT BE REPRODUCED OR COPIED OR USED IN WHOLE OR IN PART AS THE BASIS FOR THE MANUFACTURE OR SALE OF ITEMS WITHOUT WRITTEN PERMISSION. COPYRIGHT © 1982 DIGITAL EQUIPMENT CORPORATION



DATE	ECO NUMBER	REV.

DRW: J. Vincent	DATE: 20 DEC. 82	TITLE: digital
CHD: B. Vincent	DATE: 1-17-83	SIGNAL DISTRIBUTION BOARD
DES. ENG: R. Allen	DATE: 2/10/82	DOCUMENT NUMBER
RESP. ENG: J. Vincent	DATE: 2/10/83	SIZE CODE NUMBER REV.
MFG. ENG: M. Vincent (A.D.)	DATE: 2/10/83	D CS 5415633-0-1 A
NEXT HIGHER DOC:	SCALE: ---	SHEET 1 OF 1

REV. A NUMBER 5415633-0-1

DRAWING NO.	NO. OF SHTS.	PART NO.	DESCRIPTION	REVISIONS																
		H9278-A-0	8 SLOT BACKPLANE	A	A															
E-UA-H9278-A-0	1		8 SLOT BACKPLANE	A	A															
E-CS-H9278-A-1	1		8 SLOT BACKPLANE	A	A															
K-PL-H9278-A-DBP	1		8 SLOT BACKPLANE	A	A															
K-PC-H9278-A-DBJ			P.C. DESIGN DATA BASE	C	C															
		5015964	ETCH CIRCUIT BOARD	C	C															
D-MD-5015964-0-0	2		CIRCUIT DRILL & ETCH BOARD	A	A															
D-EC-5015964-0-0	2		ETCH CUT DRAWING	A	A															
K-SP-H9278-A-DBF	14		ENGINEERING SPEC	A																

NOTES:

DATE	REVISIONS	CHG NO.	REV.
15-JUN 83	H9278-A-MLOO1		B

"THIS DRAWING AND SPECIFICATIONS, HEREIN, ARE THE PROPERTY OF DIGITAL EQUIPMENT CORPORATION AND SHALL NOT BE REPRODUCED OR COPIED OR USED IN WHOLE OR IN PART AS THE BASIS FOR THE MANUFACTURE OR SALE OF ITEMS WITHOUT WRITTEN PERMISSION.

COPYRIGHT© 1983 DIGITAL EQUIPMENT CORPORATION



USED ON OPTION/MODEL		DRN. R. RHOADES	I1JAN83	TITLE 8 SLOT BACKPLANE			
		CHK'D <i>[Signature]</i>	1-12-83	SIZE	CODE	NUMBER	REV.
		ENG. <i>[Signature]</i>	3/29/83	B	DD	H9278-A	B
		PROD. <i>[Signature]</i>	4/29/83	SHEET 1 OF 1			

AUTOMATED BY PRTLST.4Q(50)

PARTS LIST

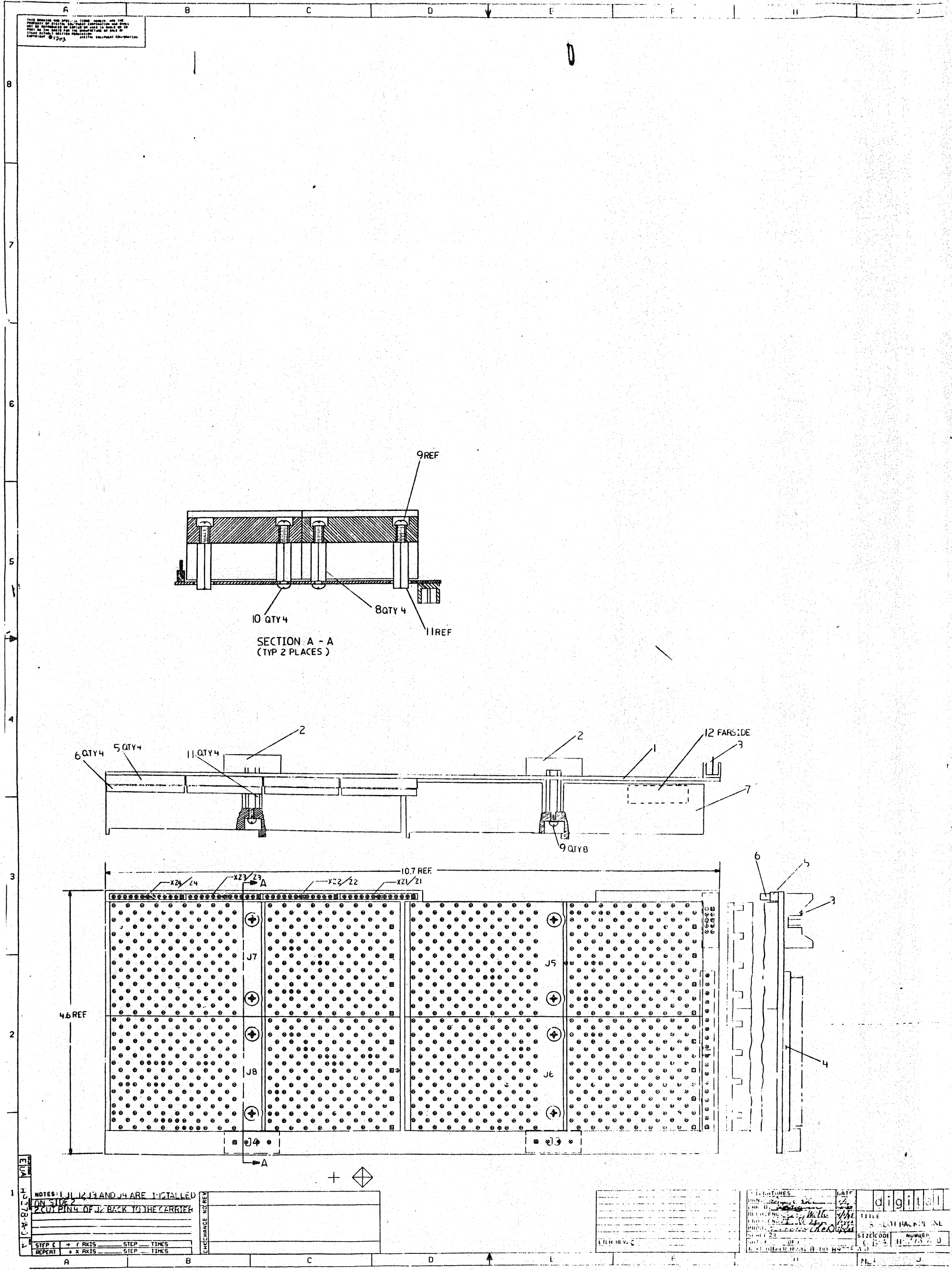
SHEET A1 OF A1

LINE	ITEM	DOCUMENT NUMBER	PART NUMBER	DESCRIPTION	QTY PER VARIATION A	REFERENCE DESIGNATOR
1	1	D-MD-5015964-0-0	5015964-00	CIRCUIT DRILL & ETCH	1	
2	2		1211342-04	MATE-N-LOK 04PIN(1X04).200CC HDR	2	J3, J4
3	3		1214886-03	PCB,HEADER 10POS(2X05).100CC	1	J2
4	4		1215699-07	PCB,HEADER 18POS(1X18).156CC STR	1	J1
5	5		1217535-05	SKT,IC 13PIN SIP TIN SOLD	4	XZ1-XZ4
6	6		1318110-00	R NETWORK 11-330 11-680 13PIN	4	Z1-Z4
7	7		7417041-00	288 PIN CONNECTOR	4	J5-J8
8	8		9000033-12	SPACER, THREADED HEX ALUM 8-3	4	
9	9		9006120-06	SCREW, FILL POZI 8-	8	
10	10		9006035-01	SCREW, MACH PAN PHIL 8-	4	
11	11		9009246-00	SPACER, THREADED HEX ALUM 8-3	4	
12	12		7411881-01	DECAL	1	

REVISION HISTORY			BASIC PART NO: H9278		DRN: RITA BUREAU		DATE: 16-NOV-82		D I G I T A L			
ENG	ECO NUMBER	REV	SECTION A OF A		CHK'D:	RON RHOADES	DATE:	25-JAN-83	TITLE PARTS LIST			
	INITIAL	A	SECTION VARIATION INDEX						8 SLOT BACKPLANE, H9278-A			
			[A]	A	DES.ENG:	TOM PITMAN	DATE:	25-JAN-83	DOCUMENT NUMBER			
			[B]		RESP.ENG.:	AL DELUCA	DATE:	25-JAN-83	SIZE	CODE	NUMBER	REV
			[C]		MFG.ENG.:	M. LIVINGSTON	DATE:	25-JAN-83	K	PL	H9278-A-DBP	A
			[D]		ASSEMBLY NUMBER:	D-UA-H9278-A-0	TOP DOCUMENT NUMBER:	B-DD-H9278-A-0	FILE NAME:		Z5865A.PLS	EDIT #
			[E]									11
			[F]									
			[H]									
			[J]									
			[K]									
			[L]									
			[M]									
			[N]									

"THIS DRAWING AND SPECIFICATIONS HEREIN, ARE THE PROPERTY OF DIGITAL EQUIPMENT CORPORATION AND SHALL NOT BE REPRODUCED OR COPIED OR USED IN WHOLE OR IN PART AS THE BASIS FOR THE MANUFACTURE OR SALE OF ITEMS WITHOUT WRITTEN PERMISSION. COPYRIGHT (C) 1983. DIGITAL EQUIPMENT CORPORATION"

THIS DRAWING AND SPECIFICATIONS ARE THE PROPERTY OF THE U.S. GOVERNMENT AND ARE TO BE REPRODUCED IN WHOLE OR IN PART BY ANY PERSON OR ORGANIZATION WITHOUT PERMISSION OF THE U.S. GOVERNMENT. THE U.S. GOVERNMENT IS AUTHORIZED TO REPRODUCE AND TRANSMIT THIS INFORMATION IN ANY FORM AND BY ANY MEANS, ELECTRONIC OR MECHANICAL, INCLUDING PHOTOCOPYING, RECORDING, OR BY ANY INFORMATION STORAGE AND RETRIEVAL SYSTEM.



SECTION A - A
(TYP 2 PLACES)

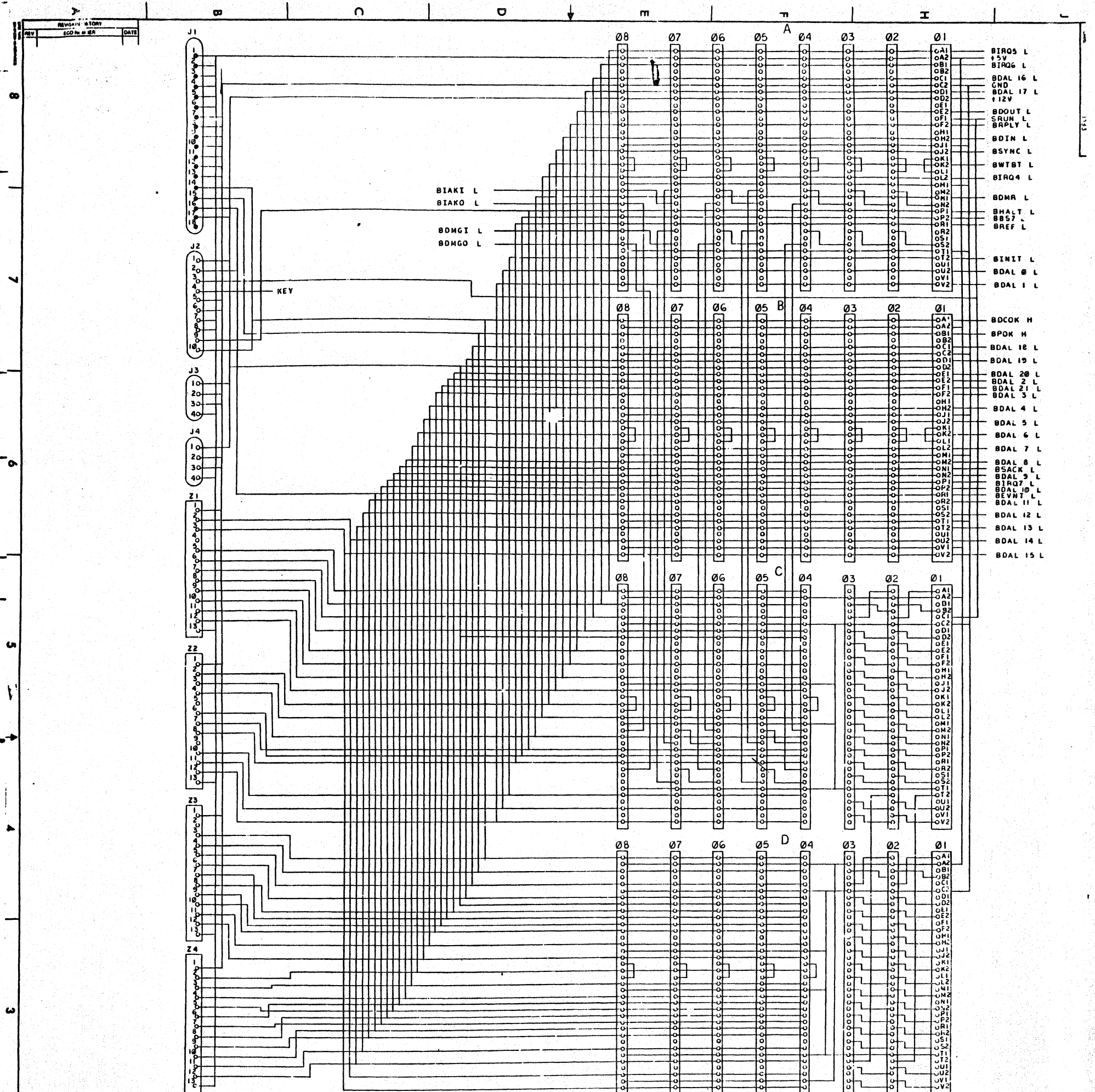
NOTES: 1, 11, 12, 13 AND 14 ARE INSTALLED ON SIDE 2. CUT PIN 4 OF J2 BACK TO THE CARRIER.

STEP	AXIS	STEP	TIMES
1	X	1	1
2	X	2	1
3	X	3	1
4	X	4	1

CHANGE NO.	DESCRIPTION

DATE	BY	CHKD	APP'D

TITLE	STZL CODE	NUMBER
digital		



REVISIONS		DATE	
1	AS		

REVISION	DESCRIPTION	DATE	BY
1	AS		

QUANTITY	UNIT	DESCRIPTION	DATE	BY
1	EA	BACKPLANE		

NO.	DESCRIPTION	DATE	BY
1	BACKPLANE		

NO.	DESCRIPTION	DATE	BY
1	BACKPLANE		

NO.	DESCRIPTION	DATE	BY
1	BACKPLANE		

DRAWING NO.	NO OF SHEETS	PART NO.	DESCRIPTION	REVISIONS															
				B1	C1	D1													
		M7606	KA630																
D-UA-M7606-0-0	1		KA630 UNIT ASSEMBLY	A	B	C													
K-PL-M7606-0-DBP	2		KA630 PARTS LIST	A	B	C													
K-PC-M7606-0-DBJ	1		P.C. DESIGN DATA BASE	E	F	G													
		3016523-01	ETCHED CIRCUIT BOARD	E1	E1	E1													
B-DD-5016523-0-0	1		DRAWING DIRECTORY	A	A	A													
B-CS-M7606-0-1	1		M7606 DRAWING DIRECTORY	-	B	B													
B-CS-M7606-0-2	1		MICROVAX II SYSTEM	-	B	B													
B-CS-M7606-0-3	1		KA630-UVAX ON Q22 BUS	-	B	B													
B-CS-M7606-0-4	1		UVAX & PPU	-	B	B													
B-CS-M7606-0-5	1		UVAX & PPU PINOUTS	-	-	-													
B-CS-M7606-0-6	1		ADDRESS LATCH/LOCAL MEMORY DECODE	-	B	B													
B-CS-M7606-0-7	1		MEMORY SUBSYSTEM	-	B	B													
B-CS-M7606-0-8			Q22 BUS INTERFACE GATE ARRAY	-	B	B													
B-CS-M7606-0-9	1		Q22 BUS INTERFACE GATE ARRAY	-	B	B													
B-CS-M7606-0-10	1		DC380 PAD ASSIGNMENT TOP VIEW LL5320 IN 144 PIN GRID ARRAY	-	B	B													
B-CS-M7606-0-11	1		REFRESH LOGIC/COUNTER	-	B	B													
B-CS-M7606-0-12	1		DIVIDE BY 12	-	B	B													
B-CS-M7606-0-13	1		SYNCHRONOUS 3 BIT COUNTER	-	B	B													

NOTES:

REVISION HISTORY	REV.	A	B	C	ECO NO.	INIT	MLO01	MLO02	REVISIONS															
									B1	C1	D1													
DATE	5/84																							

THIS DRAWING AND THE SPECIFICATIONS CONTAINED HEREIN ARE CONFIDENTIAL AND PROPRIETARY. THEY ARE THE PROPERTY OF DIGITAL EQUIPMENT CORPORATION AND SHALL NOT BE REPRODUCED OR COPIED OR USED IN WHOLE OR IN PART AS THE BASIS FOR THE MANUFACTURE OR SALE OF ITEMS WITHOUT WRITTEN PERMISSION. THIS IS AN UNPUBLISHED WORK PROTECTED UNDER THE FEDERAL COPYRIGHT LAWS.

1984



DRN. D.DROZD	DATE 5/17/84	TITLE	
CHK'D E.LANDRY	DATE 5/17/84	KA630	
DES. ENG B.MASKAS	DATE 5/17/84	DOCUMENT NUMBER	
RESP ENG B.MASKAS	DATE 5/17/84	SIZE B	CODE DD
MFG. ENG B.SCHULTE	DATE 9/24/84	NUMBER M7606-0-0	REV C
		SHEET 1 OF 4	

DRAWING NO.	NC OF SHTS	PART NO.	DESCRIPTION	REVISIONS															
				A	B	C													
B-CS-M7606-0-14	1		VECTOR HACK		B	B													
B-CS-M7606-0-15	1		INVERTING MUX LOGIC		B	B													
B-CS-M7606-0-16	1		4 to 1 MUX		B	B													
B-CS-M7606-0-17	1		Q-BUS SUPPORT LOGIC		B	B													
B-CS-M7606-0-18	1		BLK MD CTR LOGIC		B	B													
B-CS-M7606-0-19	1		TOGGLE FLOP		B	B													
B-CS-M7606-0-20	1		Q-BUS SUPPORT LOGIC		B	B													
B-CS-M7606-0-21	1		Q-BUS SUPPORT LOGIC		B	B													
B-CS-M7606-0-22	1		Q-BUS SUPPORT LOGIC		B	B													
B-CS-M7606-0-23	1		Q-BUS SUPPORT LOGIC		B	B													
B-CS-M7606-0-24	1		POWER BUFFER MACRO		B	B													
B-CS-M7606-0-25	1		BIDIRECT BUFFER		B	B													
B-CS-M7606-0-26	1		MUX LOGIC		B	B													
B-CS-M7606-0-27	1		TRANSLATION MAP GROUP		B	B													
B-CS-M7606-0-28	1		KA630 Q-BUS INTERFACES		B	B													
B-CS-M7606-0-29	1		UVAX INTERFACE GATE ARRAY		B	B													
B-CS-M7606-0-30	1		DC379 PAD ASSIGNMENT TOP-VIEW LL5320 IN 144 PIN GRIP ARRAY		B	B													
B-CS-M7606-0-31	1		UVAX INTERFACE GATE ARRAY DATA PATH		B	B													
B-CS-M7606-0-32	1		UVDAL I/O BUFFERS, ADDR LATCHES		B	B													

NOTES:

		REVISION HISTORY		
		DATE	ECO NO.	REV.
		5/84	INIT	A
		5/85	MLO01	B
		6/85	MLO02	C

THIS DRAWING AND THE SPECIFICATIONS CONTAINED HEREIN ARE CONFIDENTIAL AND PROPRIETARY. THEY ARE THE PROPERTY OF DIGITAL EQUIPMENT CORPORATION AND SHALL NOT BE REPRODUCED OR COPIED OR USED IN WHOLE OR IN PART AS THE BASIS FOR THE MANUFACTURE OR SALE OF ITEMS WITHOUT WRITTEN PERMISSION. THIS IS AN UNPUBLISHED WORK PROTECTED UNDER THE FEDERAL COPYRIGHT LAWS.



1984

DRN. D. DROZD		DATE 5/17/84	TITLE KA630		
CHK'D E. LANDRY		DATE 5/17/84			
DES. ENG. B. MASKAS		DATE 5/17/84	DOCUMENT NUMBER SIZE CODE NUMBER REV B DD M7606-0-0 C		
RESP. ENG. B. MASKAS		DATE 5/17/84			
MFG. ENG. B. SCHULTE		DATE 9/24/84			
			SHEET 2 OF 4		

DRAWING NO.	NO OF SHTS	PART NO.	DESCRIPTION	REVISIONS																		
				1	2	3	4	5	6	7	8	9	10	11	12							
B-CS-M7606-0-33	1		ADDRESS DECODER	-	B	B																
B-CS-M7606-0-34	1		EXCEPTIONS AND INTERRUPTS	-	B	B																
B-CS-M7606-0-35	1		UVAX INPUTS AND I/O PINS	-	B	B																
B-CS-M7606-0-36	1		BOOT/DIAG REG., MEM ERR ADDR REG.	-	B	B																
B-CS-M7606-0-37	1		EPR BUS, X DAL BUS	-	B	B																
B-CS-M7606-0-38	1		INTERNAL DATA BUSES	-	B	B																
B-CS-M7606-0-39	1		MISC. CONTROL STROBES	-	B	B																
B-CS-M7606-0-40	1		RESET COUNTER, POWER UP/DOWN CNTRL	-	B	B																
B-CS-M7606-0-41	1		MEMOK. SYSTEM ERROR REGISTER	-	B	B																
B-CS-M7606-0-42	1		TIME OF YEAR (TOY) CLOCK	-	B	B																
B-CS-M7606-0-43	1		CONSOLE SERIAL LINE INTERFACE	-	B	B																
B-CS-M7606-0-44	1		LEDS AND CONFIGURATION CONNECTOR	-	B	B																
B-CS-M7606-0-45	1		DECOUPLING CAPACITORS	-	B	B																
B-CS-M7606-0-46	1		KA630 STATE MACHINES	-	B	B																
B-CS-M7606-0-47	1		UVAX CYCLE CONTROLLER	-	B	B																
B-CS-M7606-0-48	1		MEMORY SEQUENCER	-	B	B																
B-CS-M7606-0-49	1		MEMORY SEQUENCER SUPPORT	-	B	B																
B-CS-M7606-0-50	1		Q22 BUS STATE MACHINES	-	B	B																
B-CS-M7606-0-51	1		KA630 MEMORY ARBITER LISTING	-	B	B																

NOTES:

REVISION HISTORY	DATE	ECO NO.	REV.	A	B	C																	
				INIT	MLO01	MLO02																	
	5/84																						
	5/85																						
	6/85																						

THIS DRAWING AND THE SPECIFICATIONS CONTAINED HEREIN ARE CONFIDENTIAL AND PROPRIETARY. THEY ARE THE PROPERTY OF DIGITAL EQUIPMENT CORPORATION AND SHALL NOT BE REPRODUCED OR COPIED OR USED IN WHOLE OR IN PART AS THE BASIS FOR THE MANUFACTURE OR SALE OF ITEMS WITHOUT WRITTEN PERMISSION. THIS IS AN UNPUBLISHED WORK PROTECTED UNDER THE FEDERAL COPYRIGHT LAWS. 1984



DRN. D.DROZD	DATE 5/17/84	TITLE			
CHK'D E.LANDRY	DATE 5/17/84	KA630			
DES. ENG. B.MASKAS	DATE 5/17/84	DOCUMENT NUMBER			
RESP. ENG. B.MASKAS	DATE 5/17/84	SIZE B	CODE DD	NUMBER M7606-0-0	REV C
MFG. ENG. B.SCHULTE	DATE 9/24/84	SHEET 3 OF 4			

DRAWING NO.	NO OF SHTS	PART NO.	DESCRIPTION	REVISIONS															
				REV	DATE	BY	INIT	REV	DATE	BY	INIT	REV	DATE	BY	INIT	REV	DATE	BY	INIT
B-CS-M7606-0-52	1		KA630 MEMORY SYSTEM ARBITER STATE FLOW DIAGRAM	-		B	B												
B-CS-M7606-0-53	1		KA630 MEMORY SYSTEM ARBITER STATE FLOW DIAGRAM	-		B	B												
B-CS-M7606-0-54	1		KA630 LOCAL I/O CONTROL MACHINE	-		/													
			UL TESTING	-		-	-												
B-CS-M7606-0-55	1		KA630 LOCAL I/O BUS CONTROL	-		B	B												
B-CS-M7606-0-56	1		KA630 Q-BUS ARBITER CONTROL MACHINE LISTING	-		-	-												
B-CS-M7606-0-57	1		Q-BUS ARBITRATION CONTROLLER DETAILED CONTROL FLOW DIAGRAM	-		B	B												
B-CS-M7606-0-58	1		Q22 BUS MASTER CONTROL MACHINE LISTING	-		-	-												
B-CS-M7606-0-59	1		Q22 BUS MASTER CONTROL MACHINE FLOW DIAGRAM	-		B	B												
B-CS-M7606-0-60	1		Q22 BUS SLAVE CONTROL MACHINE LISTING	-		-	-												
B-CS-M7606-0-61	1		Q22 BUS SLAVE CONTROL MACHINE FLOW DIAGRAM	-		B	B												
B-CS-M7606-0-62	1		Q22 BUS SLAVE CONTROL MACHINE FLOW DIAGRAM	-		B	B												
B-CS-M7606-0-63	1		IKRL RAS DECODE FROM (ETS) LISTING	-		-	-												
B-CS-M7606-0-64	1		PALASH LISTING FOR PALISLA DEVICES	-		-	-												
B-CS-M7606-0-65	1		MEMORIC DICTORY	-		-	-												
K-DO-M7606-0-0	24		M7606 CROSS REF LIST	-		A	A												

NOTES:

REVISION HISTORY	DATE	ECO NO.	REV.	A	B	C
	5/84	INIT				
	5/85	MLO01				
	6/85	MLO02				

THIS DRAWING AND THE SPECIFICATIONS CONTAINED HEREIN ARE CONFIDENTIAL AND PROPRIETARY. THEY ARE THE PROPERTY OF DIGITAL EQUIPMENT CORPORATION AND SHALL NOT BE REPRODUCED OR COPIED OR USED IN WHOLE OR IN PART AS THE BASIS FOR THE MANUFACTURE OR SALE OF ITEMS WITHOUT WRITTEN PERMISSION. THIS IS AN UNPUBLISHED WORK PROTECTED UNDER THE FEDERAL COPYRIGHT LAWS.

1984



DRN.	D. DROZD	DATE	5/17/84
CHK'D	E. LANDRY	DATE	5/17/84
DES. ENG.	B. MASKAS	DATE	5/17/84
RESP. ENG.	B. MASKAS	DATE	5/17/84
MFG. ENG.	B. SCHULTE	DATE	9/24/84

TITLE			
KA630			
DOCUMENT NUMBER			
SIZE	CODE	NUMBER	REV
B	DD	M7606-0-0	C
SHEET		4 OF	4

THIS DRAWING IS THE PROPERTY OF THE U.S. GOVERNMENT AND IS TO BE REPRODUCED IN WHOLE OR IN PART BY ANY PERSON OR ORGANIZATION WITHOUT PERMISSION OF THE U.S. GOVERNMENT.

REWORK INSTRUCTIONS

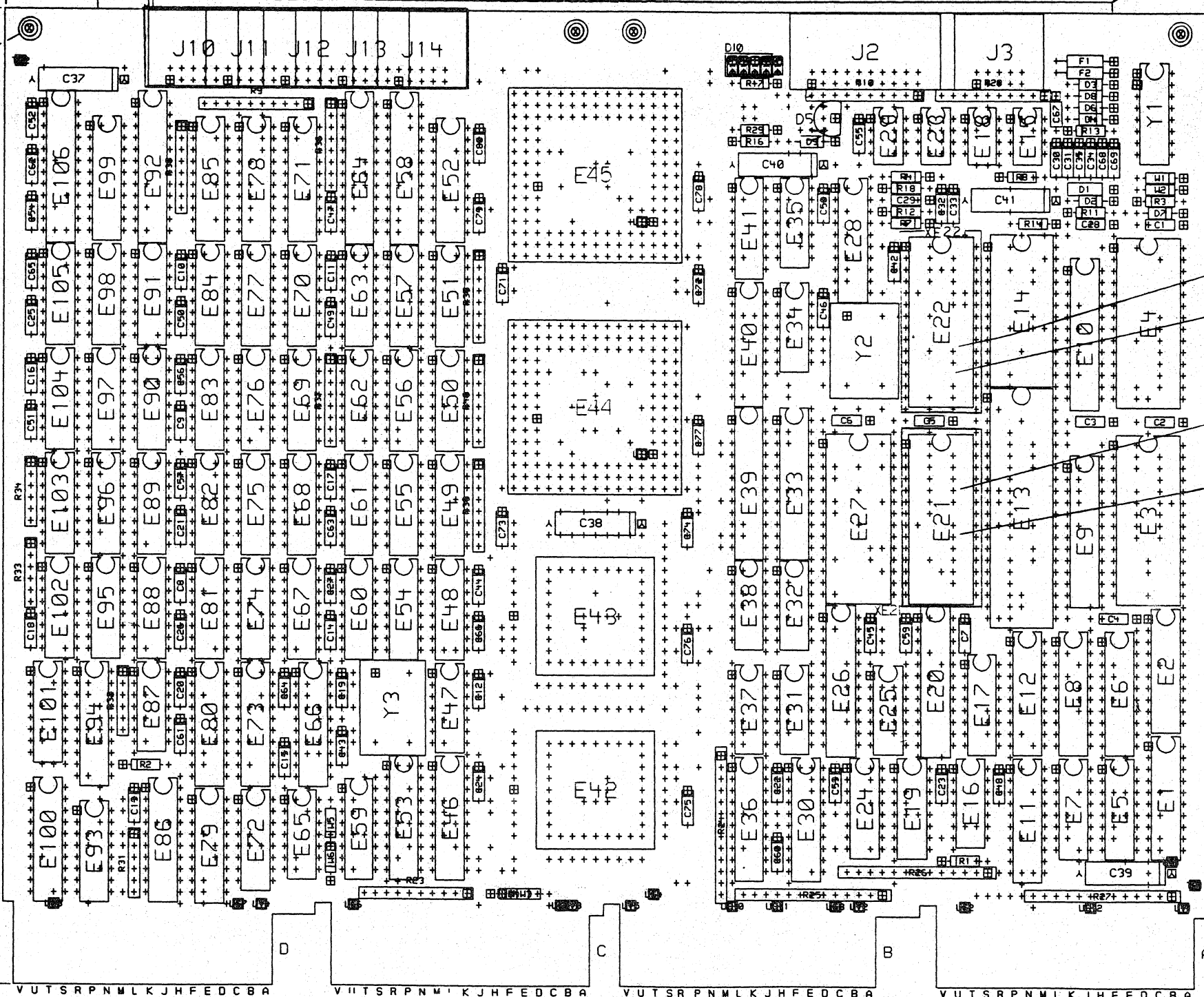
1. COMPONENT DELETES
- 2-1 DELETE E21 P/N 23035E6-00
- 2-2 DELETE E22 P/N 23034E6-00
2. COMPONENT ADDS.
- 2-3 DELETE E21 P/N 23063E6-00
- 2-4 DELETE E22 P/N 23062E6-00

10.43 REF
265.00 M.M.

COMPONENT SIDE VIEW

94
(QTY. 4)

8.41 REF
213.70 MM



NOTES: 1. WI NOT INSTALLED

CHG	NO	REV	DATE	BY	REASON

STEP	E	Y AXIS	STEP	TIMES
REPEAT		X AXIS	STEP	TIMES

ETCH REV. E1

SIGNATURES		DATE	digital
DRN. <i>[Signature]</i>		7/23/81	
CHK'D. <i>[Signature]</i>		5/14/81	TITLE KA630-A:B:C:D
MECH. ENG. <i>[Signature]</i>		1/16/81	
PROJ. ENG. <i>[Signature]</i>		1-16-81	
PROD. KEITH <i>[Signature]</i>		1-16-81	
SCALE 2:1	SIZE CODE	NUMBER	REV
SHT. 1 OF 1	0 UA	M7606-C-0	3
NEXT HIGHER ASSY. B-DD-M7606-0-0			

LINE	ITEM	TOP DOCUMENT	PART NUMBER	MIN REV	DESCRIPTION	QTY PER VARIATION				REFERENCE DESIGNATOR
						AA	AC	AH	BA	
						D1	D1	D1	D1	
1	1	D-MD-5016523-0-0	5016523-01		CIRCUIT DRILL & ETCH	1	1	1	1	
2	2		1010279-01		.47 MFD 25V 20% CER	6	6	6	6	C30-C35
3	3		1012784-00		.047 MFD 50V +80-20% CER	7	7	7	7	C28,C1-C6
4	4		1013466-05		56.0 MMF 50V 5% CER	1	1	1	1	C67
5	5		1013466-07		220.0 MMF 50V 5% CER	1	1	1	1	C29
6	6		1014265-02		.33 MFD 50V +80-20% CER	58	58	58	58	C7-C27,C42-C66,C68,C69,C71-C80
7	7		1017472-00		10 MFD 35V +75-10% AL EL	3	3	3	3	C39-C41
8	8		1020446-05		22 MFD 16V +50-10% AL EL	2	2	2	2	C37,C38
9	9		1100114-00		PIV= 25 IO=135 MA	1	1	1	1	D9
10	10		1105275-00		PIV= 60 IO=300 MA -15NS	3	3	3	3	D2,D4,D3
11	11		1109977-00		VZ= 4.3 5% 1N749A	1	1	1	1	D1
12	12		1114117-00		PIV= 40 IO= 75 A - 4NS	3	3	3	3	D6-D8
13	13		1114136-02		LED 6.7MA 5V .2MCD GREEN	1	1	1	1	D14
14	14		1120964-01		LED ASSY 4 RED 5V 8MA	1	1	1	1	D10
15	15		1210929-02		FUSE, SUB-MINI 1.000A, 125V, A	2	2	2	2	F1,F2
16	16		1213113-03		HANDLE,MODULE	1	1	1	1	
17	17		1213506-04		PCB HEADER 09PIN(2X05).100CC 90D	1	1	1	1	J3
18	18		1213506-10		PCB HEADER 20PIN(2X10).100CC 90D	1	1	1	1	J2
19	19		1213506-13		PCB HEADER 50PIN(2X25).100CC 90D	1	1	1	1	J1
20	20		1215006-07		SKT,IC 28PIN DIP TIN SOLD	2	2	2	2	XE21,XE22
21	21		1300202-00		47.0 .25 W 5.0 % CF	3	3	3	3	R1,R2,R29
22	22		1300365-00		1.0 K .25 W 5.0 % CF	1	1	1	1	R3
23	23		1300447-00		4.70 K .25 W 5.0 % CF	1	1	1	1	R8
24	24		1300479-00		10.0 K .25 W 5.0 % CF	2	2	2	2	R11,R12
25	25		1301808-00		22.0 K .25 W 5.0 % CF	1	1	1	1	R4
26	26		1302388-00		2.0 K .25 W 5.0 % CF	1	1	1	1	R14
27	27		1302466-00		100.0 K .25 W 5.0 % CF	1	1	1	1	R16
28	28		1304837-00		24.0 K .25 W 5.0 % CF	1	1	1	1	R7
29	29		1314637-00		R NETWORK 3-22 1.0 % 6PIN	4	4	4	4	R31-R34
30	30		1316334-02		R NETWORK 9-10K 2.0 % 10PIN	2	2	2	2	R10,R23

REVISION HISTORY			BASIC PART NO: M7606		DRN:	RONALD RHOADES	DATE:	01-FEB-84	D I G I T A L			
ENG!	ECO NUMBER	REV	SECTION A OF C						TITLE PARTS LIST			
---	INITIAL	A	SECTION VARIATION INDEX		CHK'D:	DAVID DROZD	DATE:	17-MAY-84	MAYFLOWER KA630			
BM	M7606-ML001	B	[A]	AA,AC,AH,BA					DOCUMENT NUMBER			
BM	M7606-ML002	C	[B]	BC,BH,CA,CC	DES.ENG:	BARRY MASKAS	DATE:	22-MAY-84	SIZE!	CODE!	NUMBER	REV
			[C]	CH,DA,DC,DH					K	PL	M7606-0-DBP	C
			[D]		RESP.ENG.:	BARRY MASKAS	DATE:	8-AUG-84	RELEASE DATE: 19-JUN-85			
			[E]									
			[F]		MFG.ENG.:	BILL SCHULTE	DATE:	22-MAY-84				
			[H]									
			[J]		ASSEMBLY NUMBER:		TOP DOCUMENT NUMBER:		FILE NAME:	EDIT #		
			[K]		D-UA-M7606-0-0		B-DD-M7606-0-0		Z8847C.PLS	37		
			[L]									
			[M]									
			[N]									

"THIS DRAWING AND THE SPECIFICATIONS CONTAINED HEREIN ARE CONFIDENTIAL AND PROPRIETARY. THEY ARE THE PROPERTY OF DIGITAL EQUIPMENT CORPORATION AND SHALL NOT BE REPRODUCED OR COPIED OR USED IN WHOLE OR IN PART AS THE BASIS FOR THE MANUFACTURE OR SALE OF ITEMS WITHOUT WRITTEN PERMISSION. THIS IS AN UNPUBLISHED WORK PROTECTED UNDER THE FEDERAL COPYRIGHT LAWS."

LINE	ITEM	TOP DOCUMENT	PART NUMBER	MIN REV	DESCRIPTION	QTY PER VARIATION				REFERENCE DESIGNATOR
						AA D1	AC D1	AH D1	BA D1	
31	31		1316395-02		R NETWORK 9-1.0K 2.0 % 10PIN	1	1	1	1	R9
32	32		1317404-00		249.0 .25 W 1.0 % RN55D-F10	1	1	1	1	R13
33	33		1317558-01		R NETWORK 4-27 5.0 % 8PIN	2	2	2	2	R39,R40
34	34		1318110-00		R NETWORK 11-330 11-680 13PIN	4	4	4	4	R24-R27
35	35		1319610-01		750.0 K .25 W .10% RN55E-B 2	1	1	1	1	R17
36	36		1319645-01		487.0 K .25 W .10% RN55E-B 2	1	1	1	1	R18
37	37		1321144-01		R NETWORK 5-220 2.0% 10PIN	1	1	1	1	R28
38	38		1321218-01		R NETWORK 4-39 +-10HM 8PIN	4	4	4	4	R35-R38
39	39		1811660-05		*** THIS ITEM IS NOT USED ***	-	-	-	-	
40	40		1811660-62		OSCILLATOR,XTAL 614.4 KHZ	1	1	1	1	Y2
41	41		1814057-00		OSCILLATOR, XTAL 40.000 MHZ	1	1	1	1	Y3
42	42		1818800-00		OSCILLATOR,XTAL 32.768KHZ	1	1	1	1	Y1
43	43		1911469-B0		8640 BURNED-IN RECEIVER,B	1	1	1	1	E16
44	44		1912803-B0		LS04 BURNED-IN INVERTER G	1	1	1	1	E25
45	45		1913471-B0		LS367 BURNED-IN DRIVER,BUS	1	1	1	1	E41
46	46		1914140-01	LM	211P COMPARATOR,VOLTAGE	1	1	1	1	E29
47	47		1914987-00		8641-2 TRANSCEIVER,UNIBUS,QU	4	4	4	4	E5,E7,E19,E24
48	48		1915193-B0		LS244 BURNED-IN DRIVER,LIN	1	1	1	1	E28
49	49		1915219-B0		LS373 BURNED-IN FF-0 OCTAL	1	1	1	1	E1
50	50		1915415-B0		9636 BURNED-IN DRIVER,DUA	1	1	1	1	E23
51	51		1916028-B1		9643 BURNED-IN DRIVER,TTL	1	1	1	1	E15
52	52		1918868-B0		LS26 NAND GATE,2-IN,HIGH	1	1	1	1	E35
53	53		1919015-00	DC	021 BUS TRANSCEIVER,20PI	3	3	3	3	E11,E30,E36
54	54		1919542-B1		9639 RECEIVER,LINE,DUAL,P	1	1	1	1	E18
55	55		1919684-01	LM	385B2 PREC VOLT REF. 1.23	1	1	1	1	D5
56	56		1920441-B1		74F245 TRANSCEIVER,BI-DIREC	4	4	4	4	E52,E71,E85,E99
57	57		1920442-B1		74F374 FF-D,OCTAL,TRI-STATE	2	2	2	2	E8,E12
58	58		1920853-B1		LS646 BUS TRANSCEIVER/REGI	2	2	2	2	E9,E10
59	59		1921008-B1		74F240 BUFFER/LINE DRIVER,0	2	2	2	2	E80,E94
60	60		1921010-B1		74F373 OCTAL TRANSPARENT LA	5	5	5	5	E2,E6,E46,E53,E73
61	61		1921305-B1		74F00 NAND GATE,QUAD,2-IN,	1	1	1	1	E47
62	62		1921306-B1		74F02 NOR GATE,QUAD,2-IN,B	1	1	1	1	E38
63	63		1921307-B1		74F04 HEX INVERTER,BURNED	2	2	2	2	E32,E87
64	64		1921312-B1		74F32 OR GATE,QUAD,2-IN,BU	2	2	2	2	E37,E65
65	65		1921314-B1		74F74 FF-D,DUAL,BURNED-IN	2	2	2	2	E31,E34
66	66		1921321-B1		74F158 MUX,QUAD,2-IN,BURNED	3	3	3	3	E72,E93,E101
67	67		1921323-B1		74F174 FF-D,HEX,BURNED-IN	2	2	2	2	E17,E59
68	68		1921417-B1		74F521 COMPARATOR,IDENTITY,	1	1	1	1	E66
69	69		1922871-01		TRANSCEIVER,PARITY B	4	4	4	4	E58,E64,E92,E106
70	70		1923679-B1		74F537 DECODER/DEMUX,1-OF-1	1	1	1	1	E100
71	71		2117312-00		UART DL-11 SOFTWARE	1	1	1	1	E13
72	72		2118467-02		*** THIS ITEM IS NOT USED ***	-	-	-	-	
73	73		2118472-02		*** THIS ITEM IS NOT USED ***	-	-	-	-	
74	74		2118795-00		146818 CLOCK/CALENDAR/RAM	1	1	1	1	E14
75	75		2120887-01	DC	333 MICROVAX,32BIT 68PIN	1	1	1	1	E43
76	76		2121384-02		RAM 8KX8,STATIC 150	2	2	2	2	E3,E4
77	77		2121413-02		41256 RAM 256KX1,DYNAMIC 1	-	-	36	-	E48-E51,E54-E57,E60-E63,E67-E70, CONT E74-E77,E81-E84,E88-E91,E95-E98,

D	I	G	I	T	A	L	TITLE	MAYFLOWER	SECTION A	OF	C	SIZE	CODE	DOCUMENT NUMBER	REV
							KA630					K	PL	M7606-0-DBP	C

LINE	ITEM	TOP DOCUMENT	PART NUMBER	MIN REV	DESCRIPTION	QTY PER VARIATION				REFERENCE DESIGNATOR
						AA	AC	AH	BA	
						D1	D1	D1	D1	
78	78		2121415-02		81256-15 RAM 256KX1,DYNAMIC 1	-	36	-	-	CONT E102-E105 CONT E48-E51,E54-E57,E60-E63,E67-E70, CONT E74-E77,E81-E84,E88-E91,E95-E98, CONT E102-E105
79	79		2122797-01		DC 337 MICROVAX FLOATING PO	1	1	1	-	E42
80	80		2123389-01		GATE ARRAY,3200 GATE	1	1	1	1	E45
81	81		2123413-01		DC379 CMOS GATE ARRAY,144PGA,320	1	1	1	1	E44
82	82		23007L3-00		L3-01	1	1	1	1	E39
83	83		23008L3-00		L3-01 FPLS	1	1	1	1	E20
84	84		23009L3-00		L3-01	1	1	1	1	E26
85	85		23010L3-00		L3-01	1	1	1	1	E33
86	86		23018E6-00		*** THIS ITEM IS NOT USED ***	-	-	-	-	
87	87		23019E6-00		*** THIS ITEM IS NOT USED ***	-	-	-	-	
88	88		23036L1-00		*** THIS ITEM IS NOT USED ***	-	-	-	-	
89	89		23115F2-00		*** THIS ITEM IS NOT USED ***	-	-	-	-	
90	90		23169J5-00		J5-03 PAL,LOGIC	1	1	1	1	E40
91	91		23170J5-00		J5-03 PAL,LOGIC	1	1	1	1	E78
92	92		23171J5-00		J5-03 PAL,LOGIC	1	1	1	1	E86
93	93		23E42F1-00		F1-05	1	1	1	1	E79
94	94		9000024-01		EYELET,ROLLED 0.1210DX0.192	4	4	4	4	
95	95		9009185-00		JUMPER, WIRE, INSULATED, BLACK B	3	3	3	3	W2,W4,W5
96	96		9907004-06		CARTON,DIE CUT,B,200PSI W/ARTWOR	1	1	1	1	
97	97		9907025-06		BAG,ANTISTATIC BUBBLE	1	1	1	1	
98	98		9907092-04		BAG,TRANSLUCENT,ESD PROTECTIVE	1	1	1	1	
99	99		23034E6-00		*** THIS ITEM IS NOT USED ***	-	-	-	-	
100	100		23035E6-00		*** THIS ITEM IS NOT USED ***	-	-	-	-	
101	101		23053L1-00		L1-01	1	1	1	1	E27
102	102		23062E6-00		E6-02 U	1	1	1	1	E22
103	103		23063E6-00		E6-02 U	1	1	1	1	E21

- 104 NOTE: M7606-AA IS THE PRIMARY VARIATION OF THE KA630 CPU.
- 105 NOTE: M7606-AC IS THE MODULE USING FUJITSU 256K RAMS.
- 106 NOTE: M7606-AH IS THE MODULE USING NEC 256K RAMS.
- 107 NOTE: M7606-BA IS THE AA VERSION WITHOUT FLOATING POINT.
- 108 NOTE: M7606-BC IS THE MODULE USING FUJITSU 256K RAMS.
- 109 NOTE: M7606-BH IS THE MODULE USING NEC 256K RAMS.
- 110 NOTE: M7606-CA IS THE AA VERSION USING 64K RAMS
- 111 NOTE: M7606-CC IS THE MODULE USING FUJITSU 64K RAMS.
- 112 NOTE: M7606-CH IS THE MODULE USING NEC 64K RAMS.
- 113 NOTE: M7606-DA IS THE CA VERSION WITHOUT FLOATING POINT.
- 114 NOTE: M7606-DC IS THE MODULE USING FUJITSU 64K RAMS.
- 115 NOTE: M7606-DH IS THE MODULE USING NEC 64K RAMS.

D	I	G	I	T	A	L	TITLE	SECTION A	OF	C	SIZE	CODE	DOCUMENT NUMBER	REV
							MAYFLOWER KA630				K	PL	M7606-0-DBP	C

LINE	ITEM	TOP DOCUMENT	PART NUMBER	MIN REV	DESCRIPTION	VARIATION REVISION LEVEL.	QTY PER VARIATION				REFERENCE DESIGNATOR
							BC D1	BH D1	CA D1	CC D1	
1	1	D-MD-5016523-0-0	5016523-01		CIRCUIT DRILL & ETCH		1	1	1	1	
2	2		1010279-01		.47 MFD 25V 20%	CER	6	6	6	6	C30-C35
3	3		1012784-00		.047 MFD 50V +80-20%	CER	7	7	7	7	C28,C1-C6
4	4		1013466-05		56.0 MMF 50V 5%	CER	1	1	1	1	C67
5	5		1013466-07		220.0 MMF 50V 5%	CER	1	1	1	1	C29
6	6		1014265-02		.33 MFD 50V +80-20%	CER	58	58	58	58	C7-C27,C42-C66,C68,C69,C71-C80
7	7		1017472-00		10 MFD 35V +75-10%	AL EL	3	3	3	3	C39-C41
8	8		1020446-05		22 MFD 16V +50-10%	AL EL	2	2	2	2	C37,C38
9	9		1100114-00		PIV= 25 IO=135 MA		1	1	1	1	D9
10	10		1105275-00		PIV= 60 IO=300 MA -15NS		3	3	3	3	D2,D4,D3
11	11		1109977-00		VZ= 4.3 5% 1N749A		1	1	1	1	D1
12	12		1114117-00		PIV= 40 IO= 75/ A - 4NS		3	3	3	3	D6-D8
13	13		1114136-02		LED 6.7MA 5V .2MCD GREEN		1	1	1	1	D14
14	14		1120964-01		LED ASSY 4 RED 5V 8MA		1	1	1	1	D10
15	15		1210929-02		FUSE, SUB-MINI 1.000A, 125V, A		2	2	2	2	F1,F2
16	16		1213113-03		HANDLE,MODULE		1	1	1	1	
17	17		1213506-04		PCB HEADER 09PIN(2X05).100CC 90D		1	1	1	1	J3
18	18		1213506-10		PCB HEADER 20PIN(2X10).100CC 90D		1	1	1	1	J2
19	19		1213506-13		PCB HEADER 50PIN(2X25).100CC 90D		1	1	1	1	J1
20	20		1215006-07		SKT,IC 28PIN DIP TIN SOLD		2	2	2	2	XE21,XE22
21	21		1300202-00		47.0 .25 W 5.0 %	CF	3	3	3	3	R1,R2,R29
22	22		1300365-00		1.0 K .25 W 5.0 %	CF	1	1	1	1	R3
23	23		1300447-00		4.70 K .25 W 5.0 %	CF	1	1	1	1	R8
24	24		1300479-00		10.0 K .25 W 5.0 %	CF	2	2	2	2	R11,R12
25	25		1301808-00		22.0 K .25 W 5.0 %	CF	1	1	1	1	R4
26	26		1302388-00		2.0 K .25 W 5.0 %	CF	1	1	1	1	R14
27	27		1302466-00		100.0 K .25 W 5.0 %	CF	1	1	1	1	R16
28	28		1304837-00		24.0 K .25 W 5.0 %	CF	1	1	1	1	R7
29	29		1314637-00		R NETWORK 3-22 1.0 % 6PIN		4	4	4	4	R31-R34
30	30		1316334-02		R NETWORK 9-10K 2.0 % 10PIN		2	2	2	2	R10,R23

REVISION HISTORY			BASIC PART NO: M7606		DRN: RONALD RHOADES		DATE: 01-FEB-84		D I G I T A L			
ENG	ECO NUMBER	REV	SECTION B OF C		CHK'D: DAVID DROZD		DATE: 17-MAY-84		TITLE PARTS LIST			
---	INITIAL	A	SECTION VARIATION INDEX		DES.ENG: BARRY MASKAS		DATE: 22-MAY-84		DOCUMENT NUMBER			
BM	M7606-ML001	B	[A] AA,AC,AH,BA		RESP.ENG.: BARRY MASKAS		DATE: 8-AUG-84		SIZE!CODE! NUMBER ! REV			
BM	M7606-ML002	C	[B] BC,BH,CA,CC		MFG.ENG.: BILL SCHULTE		DATE: 22-MAY-84		RELEASE DATE: 19-JUN-85			
			[C] CH,DA,DC,DH		ASSEMBLY NUMBER:		TOP DOCUMENT NUMBER:		FILE NAME:		EDIT #	
			[D]		D-UA-M7606-0-0		B-DD-M7606-0-0		Z8847C.PLS		37	
			[E]									
			[F]									
			[H]									
			[J]									
			[K]									
			[L]									
			[M]									
			[N]									

"THIS DRAWING AND THE SPECIFICATIONS CONTAINED HEREIN ARE CONFIDENTIAL AND PROPRIETARY. THEY ARE THE PROPERTY OF DIGITAL EQUIPMENT CORPORATION AND SHALL NOT BE REPRODUCED OR COPIED OR USED IN WHOLE OR IN PART AS THE BASIS FOR THE MANUFACTURE OR SALE OF ITEMS WITHOUT WRITTEN PERMISSION. THIS IS AN UNPUBLISHED WORK PROTECTED UNDER THE FEDERAL COPYRIGHT LAWS."

LINE	ITEM	TOP DOCUMENT	PART NUMBER	MIN REV	DESCRIPTION	QTY PER VARIATION				REFERENCE DESIGNATOR
						BC D1	BH D1	CA D1	CC D1	
31	31		1316395-02		R NETWORK 9-1.0K 2.0 % 10PIN	1	1	1	1	R9
32	32		1317404-00		249.0 .25 W 1.0 % RN55D-F10	1	1	1	1	R13
33	33		1317558-01		R NETWORK 4-27 5.0 % 8PIN	2	2	2	2	R39,R40
34	34		1318110-00		R NETWORK 11-330 11-680 13PIN	4	4	4	4	R24-R27
35	35		1319610-01		750.0 K .25 W .10% RN55E-B 2	1	1	1	1	R17
36	36		1319645-01		487.0 K .25 W .10% RN55E-B 2	1	1	1	1	R18
37	37		1321144-01		R NETWORK 5-220 2.0% 10PIN	1	1	1	1	R28
38	38		1321218-01		R NETWORK 4-39 +-10HM 8PIN	4	4	4	4	R35-R38
39	39		1811660-05		OSCILLATOR, XTAL 33.330 MHZ	-	-	1	1	Y3
40	40		1811660-62		OSCILLATOR, XTAL 614.4 KHZ	1	1	1	1	Y2
41	41		1814057-00		OSCILLATOR, XTAL 40.000 MHZ	1	1	-	-	Y3
42	42		1818800-00		OSCILLATOR, XTAL 32.768KHZ	1	1	1	1	Y1
43	43		1911469-B0		8640 BURNED-IN RECEIVER, B	1	1	1	1	E16
44	44		1912803-B0		LS04 BURNED-IN INVERTER G	1	1	1	1	E25
45	45		1913471-B0		LS367 BURNED-IN DRIVER, BUS	1	1	1	1	E41
46	46		1914140-01	LM	211P COMPARATOR, VOLTAGE	1	1	1	1	E29
47	47		1914987-00		8641-2 TRANSCEIVER, UNIBUS, QU	4	4	4	4	E5, E7, E19, E24
48	48		1915193-B0		LS244 BURNED-IN DRIVER, LIN	1	1	1	1	E28
49	49		1915219-B0		LS373 BURNED-IN FF-0 OCTAL	1	1	1	1	E1
50	50		1915415-B0		9636 BURNED-IN DRIVER, DUA	1	1	1	1	E23
51	51		1916028-B1		9643 BURNED-IN DRIVER, TTL	1	1	1	1	E15
52	52		1918868-B0		LS26 NAND GATE, 2-IN, HIGH	1	1	1	1	E35
53	53		1919015-00	DC	021 BUS TRANSCEIVER, 20PI	3	3	3	3	E11, E30, E36
54	54		1919542-B1		9639 RECEIVER, LINE, DUAL, P	1	1	1	1	E18
55	55		1919684-01	LM	385B2 PREC VOLT REF. 1.23	1	1	1	1	D5
56	56		1920441-B1		74F245 TRANSCEIVER, BI-DIREC	4	4	4	4	E52, E71, E85, E99
57	57		1920442-B1		74F374 FF-D, OCTAL, TRI-STATE	2	2	2	2	E8, E12
58	58		1920853-B1		LS646 BUS TRANSCEIVER/REGI	2	2	2	2	E9, E10
59	59		1921008-B1		74F240 BUFFER/LINE DRIVER, 0	2	2	2	2	E80, E94
60	60		1921010-B1		74F373 OCTAL TRANSPARENT LA	5	5	5	5	E2, E6, E46, E53, E73
61	61		1921305-B1		74F00 NAND GATE, QUAD, 2-IN,	1	1	1	1	E47
62	62		1921306-B1		74F02 NOR GATE, QUAD, 2-IN, B	1	1	1	1	E38
63	63		1921307-B1		74F04 HEX INVERTER, BURNED	2	2	2	2	E32, E87
64	64		1921312-B1		74F32 OR GATE, QUAD, 2-IN, BU	2	2	2	2	E37, E65
65	65		1921314-B1		74F74 FF-D, DUAL, BURNED-IN	2	2	2	2	E31, E34
66	66		1921321-B1		74F158 MUX, QUAD, 2-IN, BURNED	3	3	3	3	E72, E93, E101
67	67		1921323-B1		74F174 FF-D, HEX, BURNED-IN	2	2	2	2	E17, E59
68	68		1921417-B1		74F521 COMPARATOR, IDENTITY,	1	1	1	1	E66
69	69		1922871-01		TRANSCEIVER, PARITY B	4	4	4	4	E58, E64, E92, E106
70	70		1923679-B1		74F537 DECODER/DEMUX, 1-OF-1	1	1	1	1	E100
71	71		2117312-00		UART DL-11 SOFTWARE	1	1	1	1	E13
72	72		2118467-02		8264-15 RAM 64K X1, 150NS 1	-	-	-	36	E48-E51, E54-E57, E60-E63, E67-E70, CONT E74-E77, E81-E84, E88-E91, E95-E98, CONT E102-E105
73	73		2118472-02		*** THIS ITEM IS NOT USED ***	-	-	-	-	
74	74		2118795-00		146818 CLOCK/CALENDAR/RAM	1	1	1	1	E14
75	75		2120887-01	DC	333 MICROVAX, 32BIT 68PIN	1	1	1	1	E43
76	76		2121384-02		RAM 8KX8, STATIC 150	2	2	2	2	E3, E4

D	I	G	I	T	A	L	TITLE	SECTION B OF C	SIZE	CODE	DOCUMENT NUMBER	REV
							MAYFLOWER KA630		K	PL	M7606-0-DBP	C

LINE	ITEM	TOP DOCUMENT	PART NUMBER	MIN REV	DESCRIPTION	QTY PER VARIATION				REFERENCE DESIGNATOR
						BC D1	BH D1	CA D1	CC D1	
77	77		2121413-02		41256 RAM 256KX1,DYNAMIC 1	-	36	-	-	E48-E51,E54-E57,E60-E63,E67-E70, CONT E74-E77,E81-E84,E88-E91,E95-E98, CONT E102-E105
78	78		2121415-02		81256-15 RAM 256KX1,DYNAMIC 1	36	-	-	-	E48-E51,E54-E57,E60-E63,E67-E70, CONT E74-E77,E81-E84,E88-E91,E95-E98, CONT E102-E105
79	79		2122797-01		DC 337 MICROVAX FLOATING PO	-	-	1	1	E42
80	80		2123389-01		GATE ARRAY,3200 GATE	1	1	1	1	E45
81	81		2123413-01		DC379 CMOS GATE ARRAY,144PGA,320	1	1	1	1	E44
82	82		23007L3-00		L3-01	1	1	1	1	E39
83	83		23008L3-00		L3-01 FPLS	1	1	1	1	E20
84	84		23009L3-00		L3-01	1	1	1	1	E26
85	85		23010L3-00		L3-01	1	1	1	1	E33
86	86		23018E6-00		*** THIS ITEM IS NOT USED ***	-	-	-	-	
87	87		23019E6-00		*** THIS ITEM IS NOT USED ***	-	-	-	-	
88	88		23036L1-00		*** THIS ITEM IS NOT USED ***	-	-	-	-	
89	89		23115F2-00		F2-03	-	-	1	1	E79
90	90		23169J5-00		J5-03 PAL,LOGIC	1	1	1	1	E40
91	91		23170J5-00		J5-03 PAL,LOGIC	1	1	1	1	E78
92	92		23171J5-00		J5-03 PAL,LOGIC	1	1	1	1	E86
93	93		23E42F1-00		F1-05	1	1	-	-	E79
94	94		9000024-01		EYELET,ROLLED 0.1210DX0.192	4	4	4	4	
95	95		9009185-00		JUMPER, WIRE, INSULATED, BLACK B	3	3	-	-	W2,W4,W5
			CONT			-	-	3	3	W2,W3,W6
96	96		9907004-06		CARTON,DIE CUT,B,200PSI W/ARTWOR	1	1	1	1	
97	97		9907025-06		BAG,ANTISTATIC BUBBLE	1	1	1	1	
98	98		9907092-04		BAG,TRANSLUCENT,ESD PROTECTIVE	1	1	1	1	
99	99		23034E6-00		*** THIS ITEM IS NOT USED ***	-	-	-	-	
100	100		23035E6-00		*** THIS ITEM IS NOT USED ***	-	-	-	-	
101	101		23053L1-00		L1-01	1	1	1	1	E27
102	102		23062E6-00		E6-02 U	1	1	1	1	E22
103	103		23063E6-00		E6-02 U	1	1	1	1	E21

- 104 NOTE: M7606-AA IS THE PRIMARY VARIATION OF THE KA630 CPU.
- 105 NOTE: M7606-AC IS THE MODULE USING FUJITSU 256K RAMS.
- 106 NOTE: M7606-AH IS THE MODULE USING NEC 256K RAMS.
- 107 NOTE: M7606-BA IS THE AA VERSION WITHOUT FLOATING POINT.
- 108 NOTE: M7606-BC IS THE MODULE USING FUJITSU 256K RAMS.
- 109 NOTE: M7606-BH IS THE MODULE USING NEC 256K RAMS.
- 110 NOTE: M7606-CA IS THE AA VERSION USING 64K RAMS
- 111 NOTE: M7606-CC IS THE MODULE USING FUJITSU 64K RAMS.
- 112 NOTE: M7606-CH IS THE MODULE USING NEC 64K RAMS.
- 113 NOTE: M7606-DA IS THE CA VERSION WITHOUT FLOATING POINT.
- 114 NOTE: M7606-DC IS THE MODULE USING FUJITSU 64K RAMS.

D	I	G	I	T	A	L	TITLE	SECTION B OF C	SIZE	CODE	DOCUMENT NUMBER	REV
							MAYFLOWER KA630		K	PL	M7606-0-DBP	C

AUTOMATED BY PRTLIST.5R(55)

PARTS LIST

SHEET B4 OF B4

LINE ITEM TOP DOCUMENT

MIN
PART NUMBER REV DESCRIPTION

QTY PER VARIATION

BC BH CA CC REFERENCE DESIGNATOR
D1 D1 D1 D1

VARIATION REVISION LEVEL:

115 NOTE: M7606-DH IS THE MODULE USING NEC 64K RAMS.

D	I	G	I	T	A	L	TITLE	SECTION B OF C	SIZE	CODE	DOCUMENT NUMBER	REV
							MAYFLOWER KA630		K	PL	M7606-0-DBP	C

LINE	ITEM	TOP DOCUMENT	PART NUMBER	MIN REV	DESCRIPTION	VARIATION REVISION LEVEL:	QTY PER VARIATION				REFERENCE DESIGNATOR
							CH D1	DA D1	DC D1	DH D1	
1	1	D-MD-5016523-0-0	5016523-01		CIRCUIT DRILL & ETCH		1	1	1	1	
2	2		1010279-01		.47 MFD 25V 20%	CER	6	6	6	6	C30-C35
3	3		1012784-00		.047 MFD 50V +80-20%	CER	7	7	7	7	C28,C1-C6
4	4		1013466-05		56.0 MMF 50V 5%	CER	1	1	1	1	C67
5	5		1013466-07		220.0 MMF 50V 5%	CER	1	1	1	1	C29
6	6		1014265-02		.33 MFD 50V +80-20%	CER	58	58	58	58	C7-C27,C42-C66,C68,C69,C71-C80
7	7		1017472-00		10 MFD 35V +75-10%	AL EL	3	3	3	3	C39-C41
8	8		1020446-05		22 MFD 16V +50-10%	AL EL	2	2	2	2	C37,C38
9	9		1100114-00		PIV= 25 IO=135 MA		1	1	1	1	D9
10	10		1105275-00		PIV= 60 IO=300 MA -15NS		3	3	3	3	D2,D4,D3
11	11		1109977-00		VZ= 4.3 5% 1N749A		1	1	1	1	D1
12	12		1114117-00		PIV= 40 IO= 75 A - 4NS		3	3	3	3	D6-D8
13	13		1114136-02		LED 6.7MA 5V .2MCD GREEN		1	1	1	1	D14
14	14		1120964-01		LED ASSY 4 RED 5V 8MA		1	1	1	1	D10
15	15		1210929-02		FUSE, SUB-MINI 1.000A, 125V, A		2	2	2	2	F1,F2
16	16		1213113-03		HANDLE,MODULE		1	1	1	1	
17	17		1213506-04		PCB HEADER 09PIN(2X05).100CC 90D		1	1	1	1	J3
18	18		1213506-10		PCB HEADER 20PIN(2X10).100CC 90D		1	1	1	1	J2
19	19		1213506-13		PCB HEADER 50PIN(2X25).100CC 90D		1	1	1	1	J1
20	20		1215006-07		SKT,IC 28PIN DIP TIN SOLD		2	2	2	2	XE21,XE22
21	21		1300202-00		47.0 .25 W 5.0 %	CF	3	3	3	3	R1,R2,R29
22	22		1300365-00		1.0 K .25 W 5.0 %	CF	1	1	1	1	R3
23	23		1300447-00		4.70 K .25 W 5.0 %	CF	1	1	1	1	R8
24	24		1300479-00		10.0 K .25 W 5.0 %	CF	2	2	2	2	R11,R12
25	25		1301808-00		22.0 K .25 W 5.0 %	CF	1	1	1	1	R4
26	26		1302388-00		2.0 K .25 W 5.0 %	CF	1	1	1	1	R14
27	27		1302466-00		100.0 K .25 W 5.0 %	CF	1	1	1	1	R16
28	28		1304837-00		24.0 K .25 W 5.0 %	CF	1	1	1	1	R7
29	29		1314637-00		R NETWORK 3-22 1.0 % 6PIN		4	4	4	4	R31-R34
30	30		1316334-02		R NETWORK 9-10K 2.0 % 10PIN		2	2	2	2	R10,R23

REVISION HISTORY			BASIC PART NO: M7606		DRN: RONALD RHOADES		DATE: 01-FEB-84		D I G I T A L			
ENG	ECO NUMBER	REV	SECTION C OF C		CHK'D: DAVID DROZD		DATE: 17-MAY-84		TITLE PARTS LIST			
---	INITIAL	A	SECTION VARIATION INDEX		DES.ENG: BARRY MASKAS		DATE: 22-MAY-84		DOCUMENT NUMBER			
BM	M7606-ML001	B	[A]	AA,AC,AH,BA	RESP.ENG.: BARRY MASKAS		DATE: 8-AUG-84		SIZE	CODE	NUMBER	REV
BM	M7606-ML002	C	[B]	BC,BH,CA,CC	MFG.ENG.: BILL SCHULTE		DATE: 22-MAY-84		K	PL	M7606-0-DBP	C
			[C]	CH,DA,DC,DH	ASSEMBLY NUMBER:		TOP DOCUMENT NUMBER:		FILE NAME:		EDIT #	
			[D]		D-UA-M7606-0-0		B-DD-M7606-0-0		Z8847C.PLS		37	
			[E]		RELEASE DATE: 19-JUN-85							
			[F]									
			[H]									
			[J]									
			[K]									
			[L]									
			[M]									
			[N]									

"THIS DRAWING AND THE SPECIFICATIONS CONTAINED HEREIN ARE CONFIDENTIAL AND PROPRIETARY. THEY ARE THE PROPERTY OF DIGITAL EQUIPMENT CORPORATION AND SHALL NOT BE REPRODUCED OR COPIED OR USED IN WHOLE OR IN PART AS THE BASIS FOR THE MANUFACTURE OR SALE OF ITEMS WITHOUT WRITTEN PERMISSION. THIS IS AN UNPUBLISHED WORK PROTECTED UNDER THE FEDERAL COPYRIGHT LAWS."

LINE	ITEM	TOP DOCUMENT	PART NUMBER	MIN REV	DESCRIPTION	QTY PER VARIATION				REFERENCE DESIGNATOR
						CH D1	DA D1	DC D1	DH D1	
31	31	13-21380-01	4316395-02		R NETWORK 9-1.0K 2.0 % 10PIN	1	1	1	1	R9
32	32		1317404-00		249.0 .25 W 1.0 % RN55D-F10	1	1	1	1	R13
33	33		1317558-01		R NETWORK 4-27 5.0 % 8PIN	2	2	2	2	R39,R40
34	34		1318110-00		R NETWORK 11-330 11-680 13PIN	4	4	4	4	R24-R27
35	35		1319610-01		750.0 K .25 W .10% RN55E-B 2	1	1	1	1	R17
36	36		1319645-01		487.0 K .25 W .10% RN55E-B 2	1	1	1	1	R18
37	37		1321144-01		R NETWORK 5-220 2.0% 10PIN	1	1	1	1	R28
38	38		1321218-01		R NETWORK 4-39 +-10HM 8PIN	4	4	4	4	R35-R38
39	39		1811660-05		OSCILLATOR, XTAL 33.330 MHZ	1	1	1	1	Y3
40	40		1811660-62		OSCILLATOR, XTAL 614.4 KHZ	1	1	1	1	Y2
41	41		1814057-00		*** THIS ITEM IS NOT USED ***	-	-	-	-	→ Yes, it is - check inserted pt. no. for Y3.
42	42		1818800-02		OSCILLATOR, XTAL 32.768KHZ	1	1	1	1	Y1
43	43		1911469-B0		8640 BURNED-IN RECEIVER, B	1	1	1	1	E16
44	44		1912803-B0		LS04 BURNED-IN INVERTER G	1	1	1	1	E25
45	45		1913471-B0		LS367 BURNED-IN DRIVER, BUS	1	1	1	1	E41
46	46		1914140-01		LM 211P COMPARATOR, VOLTAGE	1	1	1	1	E29
47	47		1914987-00		8641-2 TRANSCEIVER, UNIBUS, QU	4	4	4	4	E5, E7, E19, E24
48	48		1915193-B0		LS244 BURNED-IN DRIVER, LIN	1	1	1	1	E28
49	49		1915219-B0		LS373 BURNED-IN FF-0 OCTAL	1	1	1	1	E1
50	50		1915415-B0		9636 BURNED-IN DRIVER, DUA	1	1	1	1	E23 - Replaced by ??? (R-coded but no substitute.) [Use straight.]
51	51		1916028-B1		9643 BURNED-IN DRIVER, TTL	1	1	1	1	E15
52	52		1918868-B0		LS26 NAND GATE, 2-IN, HIGH	1	1	1	1	E35
53	53		1919015-00		DC 021 BUS TRANSCEIVER, 20PI	3	3	3	3	E11, E30, E36
54	54		1919542-B1		9639 RECEIVER, LINE, DUAL, P	1	1	1	1	E18
55	55		1919684-01		LM 385B2 PREC VOLT REF. 1.23	1	1	1	1	D5
56	56		1920441-B1		74F245 TRANSCEIVER, BI-DIREC	4	4	4	4	E52, E71, E85, E99
57	57		1920442-B1		74F374 FF-D, OCTAL, TRI-STATE	2	2	2	2	E8, E12
58	58		1920853-B1		LS646 BUS TRANSCEIVER/REGI	2	2	2	2	E9, E10
59	59		1921008-B1		74F240 BUFFER/LINE DRIVER, O	2	2	2	2	E80, E94
60	60		1921010-B1		74F373 OCTAL TRANSPARENT LA	5	5	5	5	E2, E6, E46, E53, E73
61	61		1921305-B1		74F00 NAND GATE, QUAD, 2-IN,	1	1	1	1	E47
62	62		1921306-B1		74F02 NOR GATE, QUAD, 2-IN, B	1	1	1	1	E38
63	63		1921307-B1		74F04 HEX INVERTER, BURNED	2	2	2	2	E32, E87
64	64		1921312-B1		74F32 OR GATE, QUAD, 2-IN, BU	2	2	2	2	E37, E65
65	65		1921314-B1		74F74 FF-D, DUAL, BURNED-IN	2	2	2	2	E31, E34
66	66		1921321-B1		74F158 MUX, QUAD, 2-IN, BURNED	3	3	3	3	E72, E93, E101
67	67		1921323-B1		74F174 FF-D, HEX, BURNED-IN	2	2	2	2	E17, E59
68	68		1921417-B1		74F521 COMPARATOR, IDENTITY,	1	1	1	1	E66
69	69		1922871-01		TRANSCEIVER, PARITY B	4	4	4	4	E58, E64, E92, E106
70	70		1923679-B1		74F537 DECODER/DEMUX, 1-OF-1	1	1	1	1	E100
71	71		2117312-00		UART DL-11 SOFTWARE	1	1	1	1	E13
72	72		2118467-02		8264-15 RAM 64K X1, 150NS 1	-	-	36	-	E48-E51, E54-E57, E60-E63, E67-E70, CONT E74-E77, E81-E84, E88-E91, E95-E98, CONT E102-E105
73	73		2118472-02		4164-3 MOS RAM 64K X1, 150	36	-	-	36	E48-E51, E54-E57, E60-E63, E67-E70, CONT E74-E77, E81-E84, E88-E91, E95-E98, CONT E102-E105
74	74		2118795-00		146818 CLOCK/CALENDAR/RAM	1	1	1	1	E14

D	I	G	I	T	A	L	TITLE	MAYFLOWER KA630	SECTION C	OF C	SIZE	CODE	DOCUMENT NUMBER	REV
											K	PL	M7606-0-DBP	C

LINE	ITEM	TOP DOCUMENT	PART NUMBER	MIN REV	DESCRIPTION	QTY PER VARIATION				REFERENCE DESIGNATOR
						CH D1	DA D1	DC D1	DH D1	
75	75		2120887-01		DC 333 MICROVAX,32BIT 68PIN	1	1	1	1	E43
76	76		2121384-02		RAM 8KX8,STATIC 150	2	2	2	2	E3,E4
77	77		2121413-02		*** THIS ITEM IS NOT USED ***	-	-	-	-	
78	78		2121415-02		*** THIS ITEM IS NOT USED ***	-	-	-	-	
79	79		2122797-01		DC 337 MICROVAX FLOATING PO	1	-	-	-	E42
80	80		2123389-01		GATE ARRAY,3200 GATE	1	1	1	1	E45
81	81		2123413-01		DC379 CMOS GATE ARRAY,144PGA,320	1	1	1	1	E44
82	82	23-014L3.	23007L3-00		L3-01	1	1	1	1	E39
83	83		23008L3-00		L3-01 FPLS	1	1	1	1	E20
84	84		23009L3-00		L3-01 23-031L3.	1	1	1	1	E26
85	85		23010L3-00		L3-01	1	1	1	1	E33
86	86		23018E6-00		*** THIS ITEM IS NOT USED ***	-	-	-	-	
87	87		23019E6-00		*** THIS ITEM IS NOT USED ***	-	-	-	-	
88	88		23036L1-00		*** THIS ITEM IS NOT USED ***	-	-	-	-	
89	89		23115F2-00		F2-03	1	1	1	1	E79
90	90		23169J5-00		J5-03 PAL,LOGIC	1	1	1	1	E40
91	91		23170J5-00		J5-03 PAL,LOGIC	1	1	1	1	E78
92	92	23-227J5.	23171J5-00		J5-03 PAL,LOGIC	1	1	1	1	E86
93	93		23E42F1-00		*** THIS ITEM IS NOT USED ***	-	-	-	-	
94	94		9000024-01		EYELET,ROLLED 0.1210DX0.192	4	4	4	4	
95	95		9009185-00		JUMPER, WIRE, INSULATED, BLACK B	3	3	3	3	W2,W3,W6
96	96		9907004-06		CARTON,DIE CUT,B,200PSI W/ARTWOR	1	1	1	1	
97	97		9907025-06		BAG,ANTISTATIC BUBBLE	1	1	1	1	
98	98		9907092-04		BAG,TRANSLUCENT,ESD PROTECTIVE	1	1	1	1	
99	99		23034E6-00		*** THIS ITEM IS NOT USED ***	-	-	-	-	
100	100		23035E6-00		*** THIS ITEM IS NOT USED ***	-	-	-	-	
101	101		23053L1-00		L1-01	1	1	1	1	E27
102	102		23062E6-00		E6-02	U	1	1	1	E22
103	103		23063E6-00		E6-02	U	1	1	1	E21

- 104 NOTE: M7606-AA IS THE PRIMARY VARIATION OF THE KA630 CPU.
- 105 NOTE: M7606-AC IS THE MODULE USING FUJITSU 256K RAMS.
- 106 NOTE: M7606-AH IS THE MODULE USING NEC 256K RAMS.
- 107 NOTE: M7606-BA IS THE AA VERSION WITHOUT FLOATING POINT.
- 108 NOTE: M7606-BC IS THE MODULE USING FUJITSU 256K RAMS.
- 109 NOTE: M7606-BH IS THE MODULE USING NEC 256K RAMS.
- 110 NOTE: M7606-CA IS THE AA VERSION USING 64K RAMS
- 111 NOTE: M7606-CC IS THE MODULE USING FUJITSU 64K RAMS.
- 112 NOTE: M7606-CH IS THE MODULE USING NEC 64K RAMS.
- 113 NOTE: M7606-DA IS THE CA VERSION WITHOUT FLOATING POINT.
- 114 NOTE: M7606-DC IS THE MODULE USING FUJITSU 64K RAMS.
- 115 NOTE: M7606-DH IS THE MODULE USING NEC 64K RAMS.

D	I	G	I	T	A	L	TITLE	MAYFLOWER KA630	SECTION C OF C	SIZE	CODE	DOCUMENT NUMBER	REV
										K	PL	M7606-0-DBP	C

KA630-AA,-AB,-AC,-AD (M7606) DRAWING DIRECTORY

DATA PATH	CONTROL	MISC.
0 MICROVAX II SYSTEM	2 KA630 State Machines	3 KA630 MEMORY ARBITER LISTING
1 KA630 - uVAX on Q22 Bus	2.1 uVAX Cycle Controller	3.1-3.2 KA630 MEMORY ARBITER FLOW DIAGRAM
1.1 uVAX & FPU	2.1.1 MEMORY SEQUENCER	4 KA630 LOCAL I/O CONTROL MACHINE LISTING
1.1.1 uVAX & FPU PINOUTS		4.1 KA630 LOCAL I/O CONTROL MACHINE FLOW DIAGRAM
1.2 ADDRESS LATCH/LOCAL MEMORY DECODE	2.1.2 MEMORY SEQUENCER SUPPORT	5 Q22 BUS ARBITRATION CONTROL MACHINE LISTING
1.3 Memory Subsystem	2.2 Q22 BUS STATE MACHINES	5.1 Q22 BUS ARBITRATION CONTROL MACHINE FLOW DIAGRAM
1.4 Q22 Bus Interface Gate Array		6 Q22 BUS MASTER CONTROL MACHINE LISTING
1.4.1-1.4.2, 1.4.1.1-1.4.1.9		6.1 Q22 BUS MASTER CONTROL MACHINE FLOW DIAGRAM
1.5 Translation Map Group		7 Q22 BUS SLAVE CONTROL MACHINE LISTING
1.6 KA630 QBUS INTERFACE		7.1-7.2 Q22 BUS SLAVE CONTROL MACHINE FLOW DIAGRAM
1.7 uVAX Interface Gate Array		8 1KX4 RAS DECODE PROM (E79) LISTING
1.7.1-1.7.2, 1.7.2.1-1.7.2.10		9 PALASM LISTINGS FOR PAL16L8A DEVICES
1.8 TOY CLOCK		10 MNEMONIC DICTIONARY
1.9 Console Serial Line Interface		
1.10 LEDs and Configuration Connector		
1.11 Decoupling Capacitors		

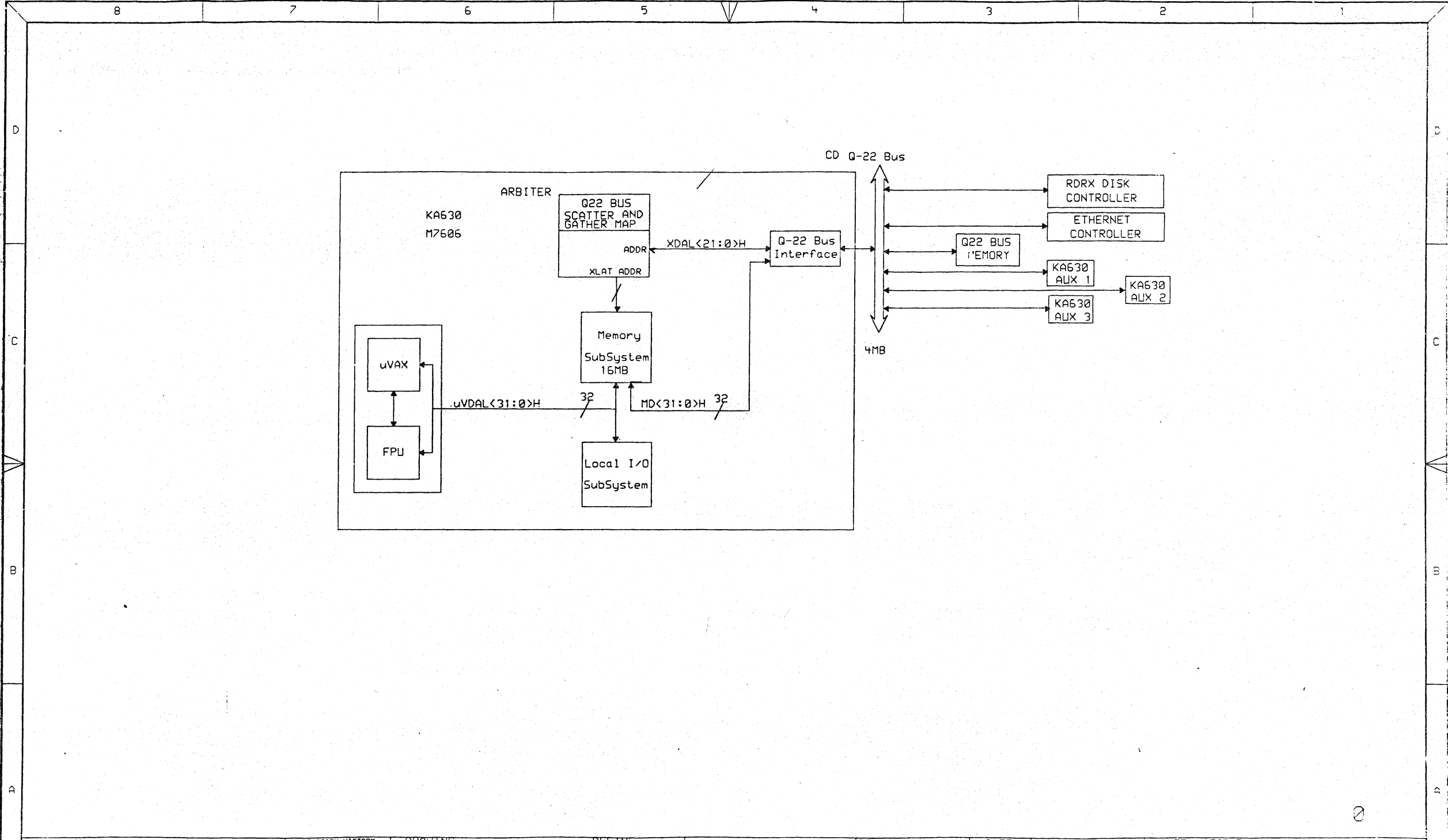
DRAWING TITLE=DIRECTORY
DEFIN X+FIRST=0
 ABBREV=DIRECT X+STEP=SIZE
 CIRCUIT+TYPE=DOCUMENTATION
 LAST+MODIFIED=Sun Dec 9 16:50:34 1984

REVISION	CHG	NO	REV
1			

Joe M. Mullin
 M7606/DIR B
 JOE MC MULLIN

digital	DRN. MASKAS & McNamara	DATE 18-DEC-83	ENG. MASKAS & McNamara	DATE 18-DEC-83	TITLE: M7606 DRAWING DIRECTORY
	CHK'D. MASKAS & McNamara	DATE 18-DEC-83	BOARD LOCATION: 01	SHEET OF	SIZE CODE D CS
TOP DOCUMENT NUMBER: M7606 - 2 - 1			REV. B		

D CS M7606-0-1-B



THIS DRAWING AND SPECIFICATIONS, HEREIN, ARE THE PROPERTY OF DIGITAL EQUIPMENT CORPORATION AND SHALL NOT BE REPRODUCED OR COPIED OR USED IN WHOLE OR IN PART AS THE BASIS FOR THE MANUFACTURE OR SALE OF ITEMS WITHOUT WRITTEN PERMISSION.
 COPYRIGHT 1984 DIGITAL EQUIPMENT CORPORATION

REV	ECO NUMBER	DATE
B	M7606	27-APR-84

DRAWING
 TITLE=KASystem
 ABBREV=kasystem
 CIRCUIT+TYPE=kdq32+processor
 LAST+MODIFIED=Sun Oct 7 18:10:51 1984

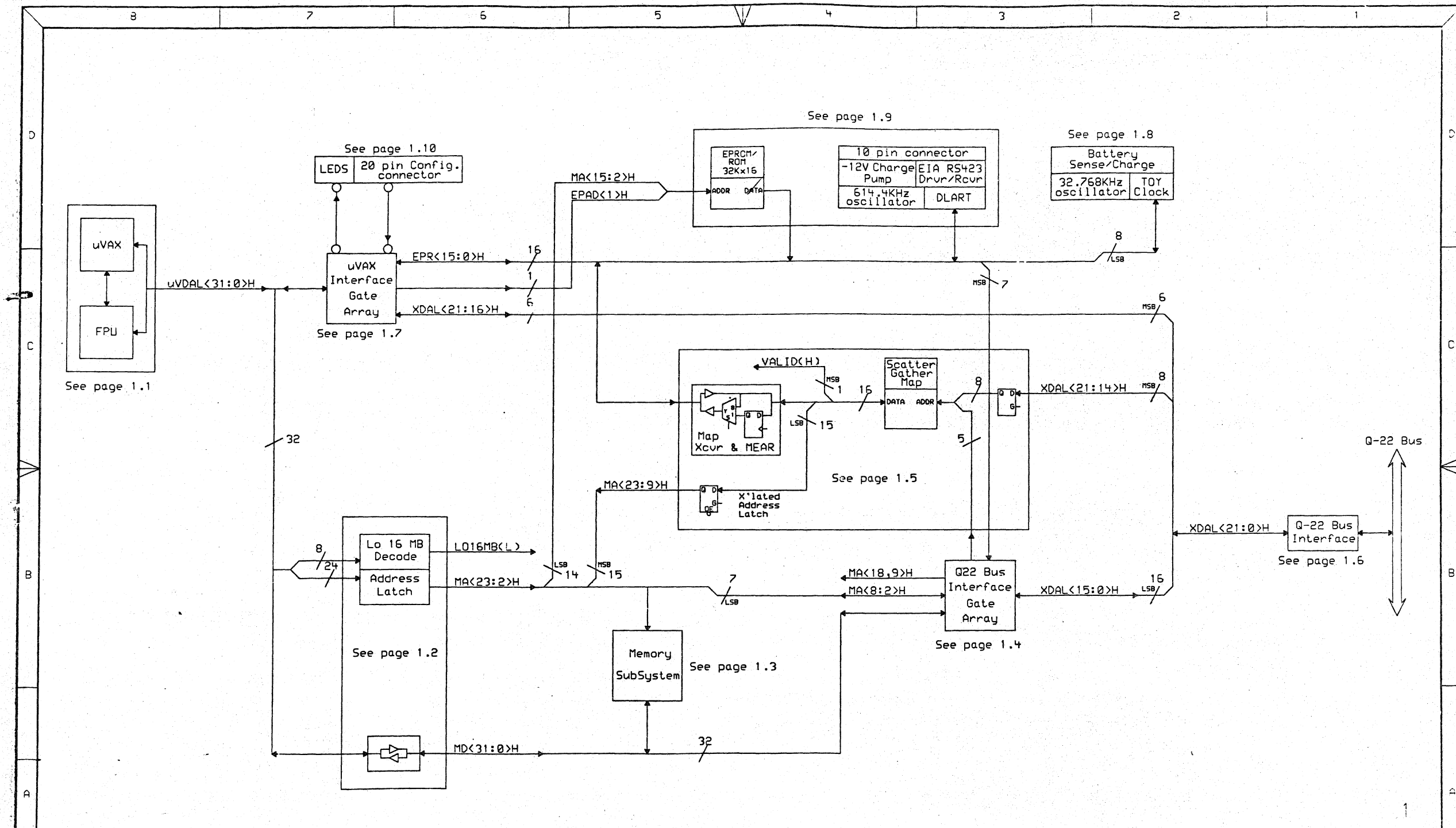
DEFINE
 X+FIRST=0
 X+STEP=SIZE



DRN: BARRY MASKAS
 DATE: 27-APR-84
 CHK'D: BARRY MASKAS
 DATE: 27-APR-84

ENG: BARRY MASKAS
 DATE: 27-APR-84
 SHEET 1 OF 1
 NEXT HIGHER ASSEMBLY:

TITLE: MICROVAX II SYSTEM
 SIZE CODE: 0 05
 NUMBER: M7606-0-2
 REV: B

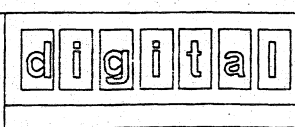


"THIS DRAWING AND SPECIFICATIONS, HEREIN, ARE THE PROPERTY OF DIGITAL EQUIPMENT CORPORATION AND SHALL NOT BE REPRODUCED OR COPIED OR USED IN WHOLE OR IN PART AS THE BASIS FOR THE MANUFACTURE OR SALE OF ITEMS WITHOUT WRITTEN PERMISSION.
 COPYRIGHT 1984 DIGITAL EQUIPMENT CORPORATION

REV	ECO NUMBER	DATE
B	M7606-00-01	11/12/84

DRAWING
 TITLE=K0032
 ABBREV=kdq32
 CIRCUIT+TYPE=kdq32+processor
 LAST+MODIFIED=Fri Oct 12 11:27:57 1984

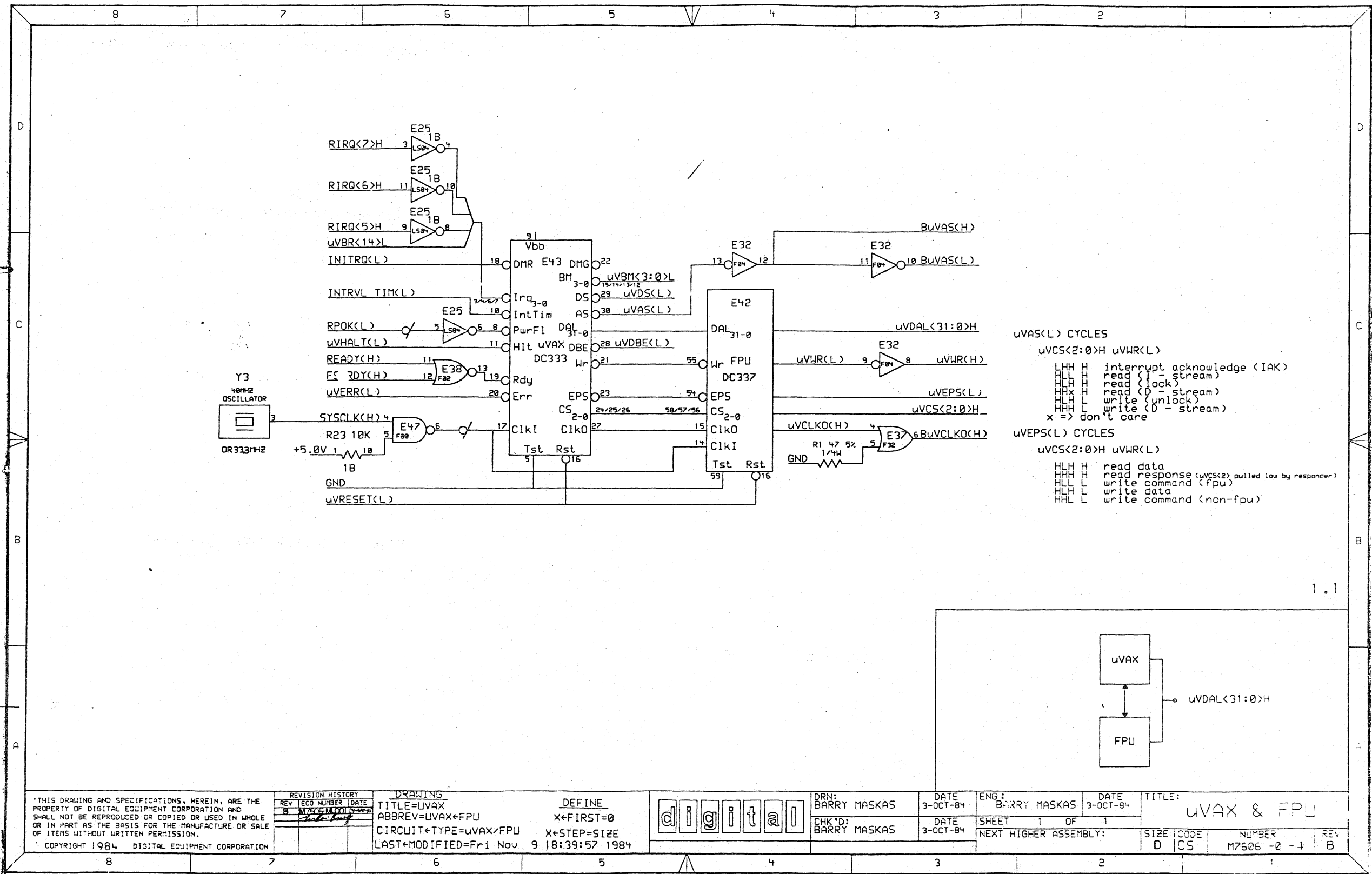
DEFINE
 X*FIRST=0
 X*STEP=SIZE



DRN: R. McNamara	DATE 3-OCT-84	ENG: R. McNamara	DATE 3-OCT-84
CHK'D: R. McNamara	DATE 3-OCT-84	SHEET 1 OF 1	

NEXT HIGHER ASSEMBLY:

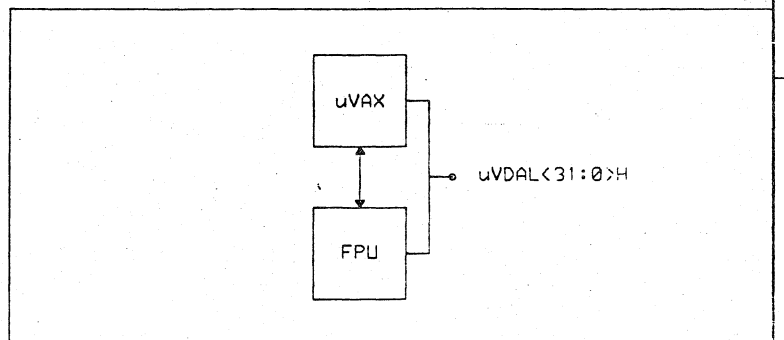
TITLE: KA630 - uVAX on Q22 Bus	SIZE D	CODE CS	NUMBER M7606-00-03	REV 3
-----------------------------------	-----------	------------	-----------------------	----------



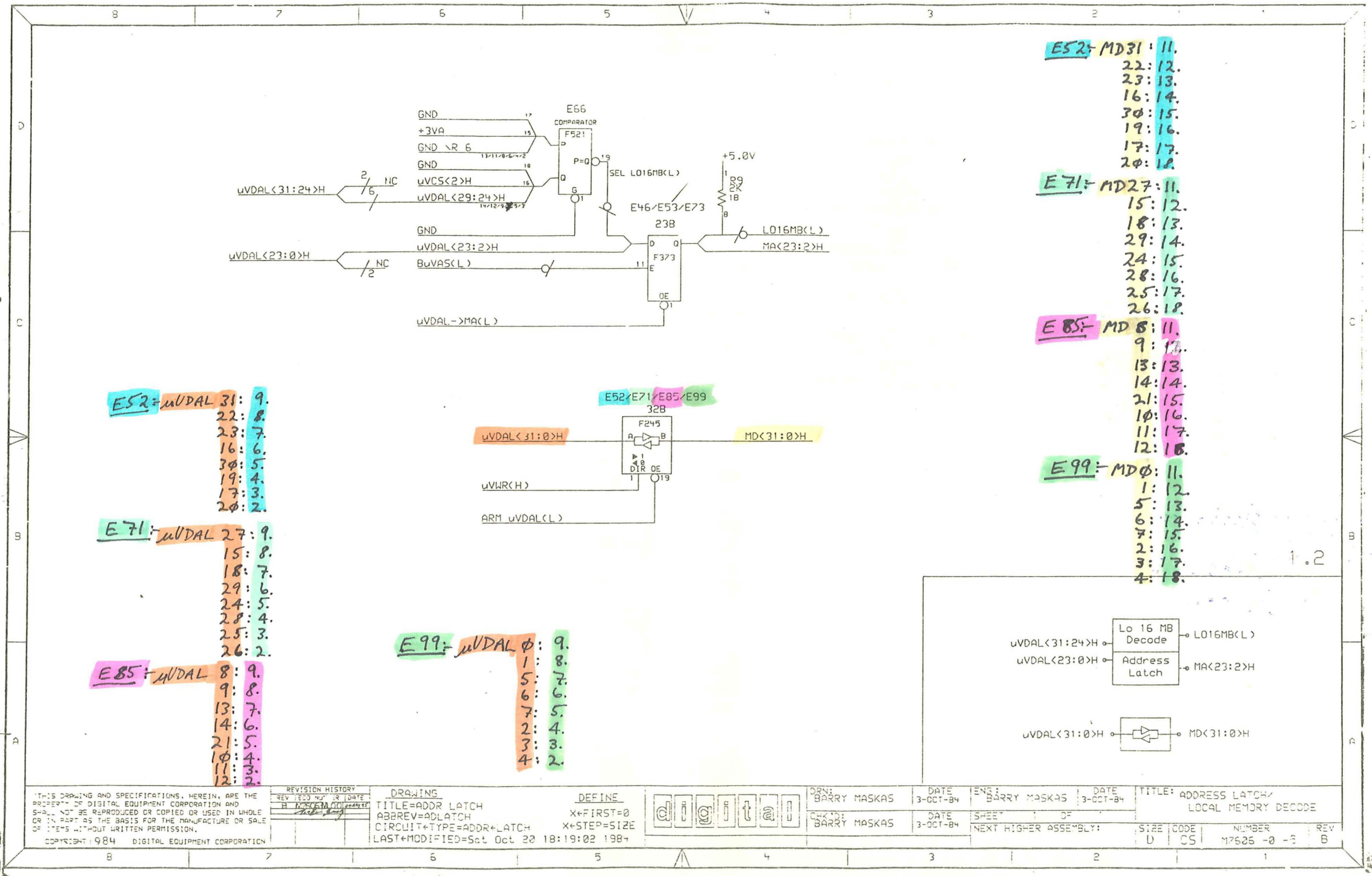
uVAX<L> CYCLES
 uVCS<2:0>H uVWR<L>
 LHH H interrupt acknowledge (IAK)
 HLL H read (I - stream)
 HLL H read (lock)
 HLL H read (D - stream)
 HLL L write (unlock)
 HLL L write (D - stream)
 x => don't care

uVPS<L> CYCLES
 uVCS<2:0>H uVWR<L>
 HLL H read data
 HLL H read response (uVCS<2> pulled low by responder)
 HLL L write command (fpu)
 HLL L write data
 HLL L write command (non-fpu)

1.1



THIS DRAWING AND SPECIFICATIONS, HEREIN, ARE THE PROPERTY OF DIGITAL EQUIPMENT CORPORATION AND SHALL NOT BE REPRODUCED OR COPIED OR USED IN WHOLE OR IN PART AS THE BASIS FOR THE MANUFACTURE OR SALE OF ITEMS WITHOUT WRITTEN PERMISSION. COPYRIGHT 1984 DIGITAL EQUIPMENT CORPORATION		REVISION HISTORY REV ECD NUMBER DATE B M7525-01-1 <i>John Long</i>	DRAWING TITLE=U VAX ABBREV=U VAX+FPU CIRCUIT TYPE=U VAX/FPU LAST MODIFIED=Fri Nov 9 18:39:57 1984	DEFINE X*FIRST=0 X*STEP=SIZE	digital	DRN: BARRY MASKAS DATE 3-OCT-84 CHK'D: BARRY MASKAS DATE 3-OCT-84	ENG: BARRY MASKAS DATE 3-OCT-84 SHEET 1 OF 1 NEXT HIGHER ASSEMBLY:	TITLE: U VAX & FPU SIZE I CODE D CS NUMBER M7525 -0 -1 REV B
--	--	---	---	------------------------------------	---------	--	---	---



E52 = MD31:11.
 22:12.
 23:13.
 16:14.
 30:15.
 19:16.
 17:17.
 20:18.

E71 = MD27:11.
 15:12.
 18:13.
 29:14.
 24:15.
 28:16.
 25:17.
 26:18.

E85 = MD8:11.
 9:12.
 13:13.
 14:14.
 21:15.
 10:16.
 11:17.
 12:18.

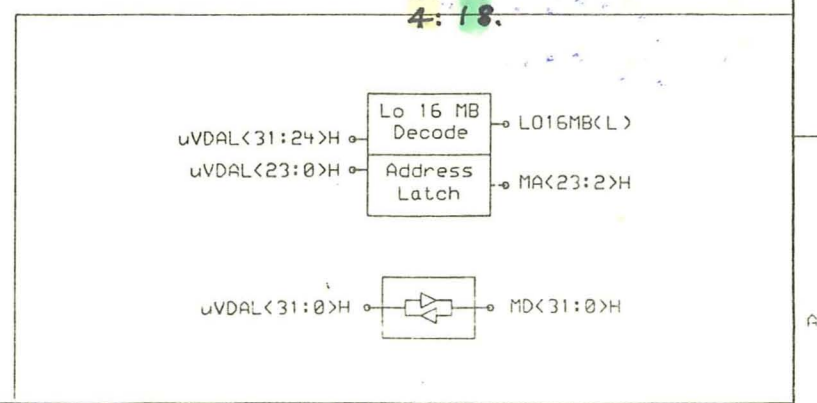
E99 = MD0:11.
 1:12.
 5:13.
 6:14.
 7:15.
 2:16.
 3:17.
 4:18.

E52 = uVDAL 31:9.
 22:8.
 23:7.
 16:6.
 30:5.
 19:4.
 17:3.
 20:2.

E71 = uVDAL 27:9.
 15:8.
 18:7.
 29:6.
 24:5.
 28:4.
 25:3.
 26:2.

E85 = uVDAL 8:9.
 9:8.
 13:7.
 14:6.
 21:5.
 10:4.
 11:3.
 12:2.

E99 = uVDAL 0:9.
 1:8.
 5:7.
 6:6.
 7:5.
 2:4.
 3:3.
 4:2.



THIS DRAWING AND SPECIFICATIONS, HEREIN, ARE THE PROPERTY OF DIGITAL EQUIPMENT CORPORATION AND SHALL NOT BE REPRODUCED OR COPIED OR USED IN WHOLE OR IN PART AS THE BASIS FOR THE MANUFACTURE OR SALE OF ITEMS WITHOUT WRITTEN PERMISSION.
 COPYRIGHT 1984 DIGITAL EQUIPMENT CORPORATION

REV	ISSUED BY	DATE
1	B. BARRY MASKAS	3-OCT-84

DRAWING
 TITLE=ADDR LATCH
 ABBREV=ADLATCH
 CIRCUIT+TYPE=ADDR+LATCH
 LAST+MODIFIED=Sat Oct 20 18:19:02 1984

DEFINE
 X+FIRST=0
 X+STEP=SIZE

digital

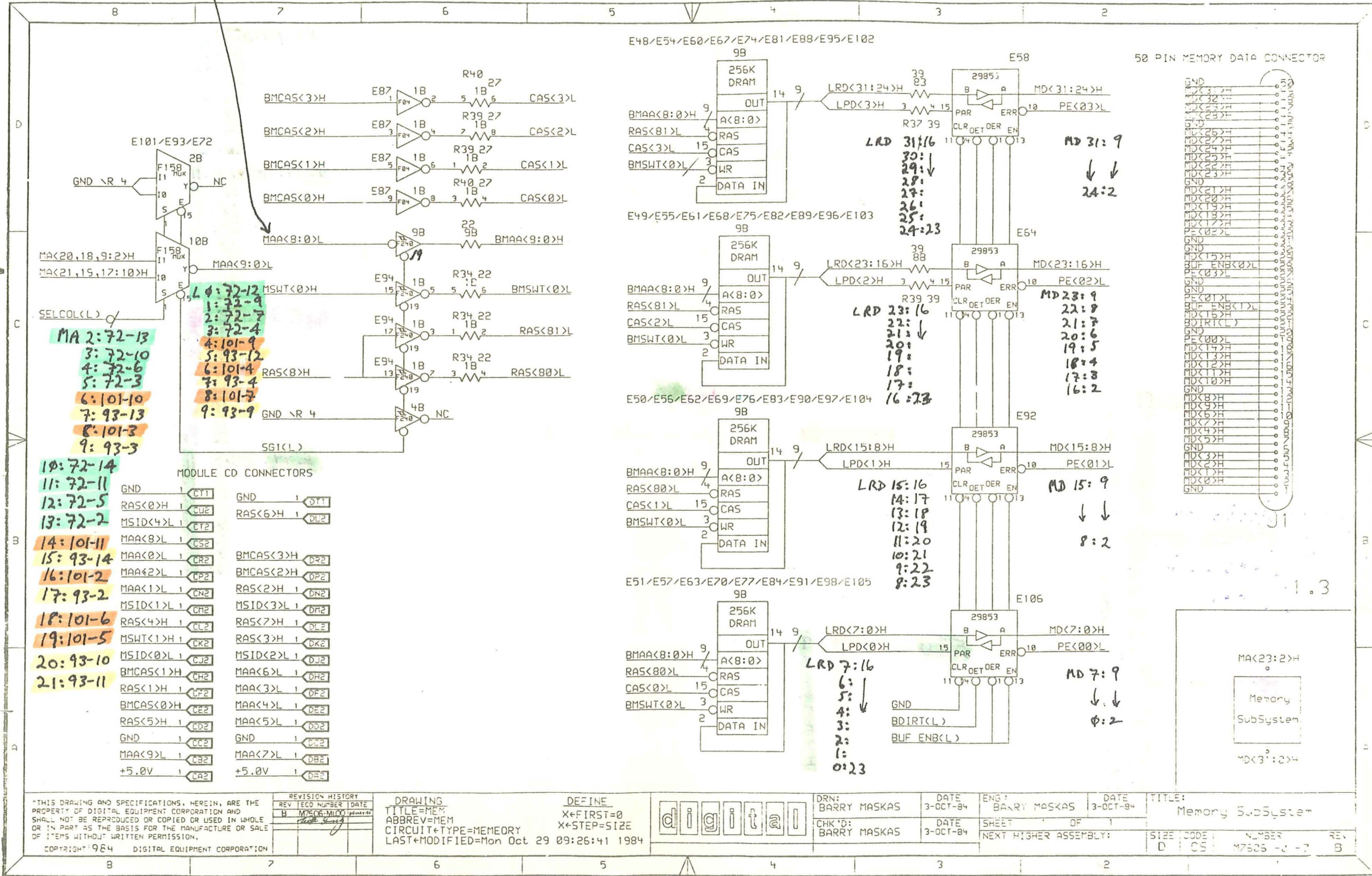
DRN: BARRY MASKAS
 CHK'D: BARRY MASKAS
 DATE: 3-OCT-84

ENG: BARRY MASKAS
 SHEET: 1 OF 1
 NEXT HIGHER ASSEMBLY:

DATE	DATE	TITLE	SIZE	CODE	NUMBER	REV
3-OCT-84	3-OCT-84	ADDRESS LATCH/ LOCAL MEMORY DECODE	U	CS	17525 -0 -3	B

MAAL ϕ : 80-15
 1: 80-13
 2: 80-11
 3: 80-2
 4: 94-6
 5: 80-8
 6: 94-2
 7: 80-4
 8: 94-11

BMAA ϕ : 80-5
 1: 80-7
 2: 80-9
 3: 80-18
 4: 94-14
 5: 80-12
 6: 94-18
 7: 80-16
 8: 94-9



*THIS DRAWING AND SPECIFICATIONS, HEREIN, ARE THE PROPERTY OF DIGITAL EQUIPMENT CORPORATION AND SHALL NOT BE REPRODUCED OR COPIED OR USED IN WHOLE OR IN PART AS THE BASIS FOR THE MANUFACTURE OR SALE OF ITEMS WITHOUT WRITTEN PERMISSION.
 COPYRIGHT 1984 DIGITAL EQUIPMENT CORPORATION

REVISION HISTORY
 REV 1 ECD NUMBER DATE
 B M506-M100 (REV 1) 10/29/84

DRAWING
 TITLE=MEM
 ABBREV=MEM
 CIRCUIT+TYPE=MEMOERY
 LAST*MODIFIED=Mon Oct 29 09:26:41 1984

DEFINE
 X*FIRST=0
 X*STEP=SIZE

digital

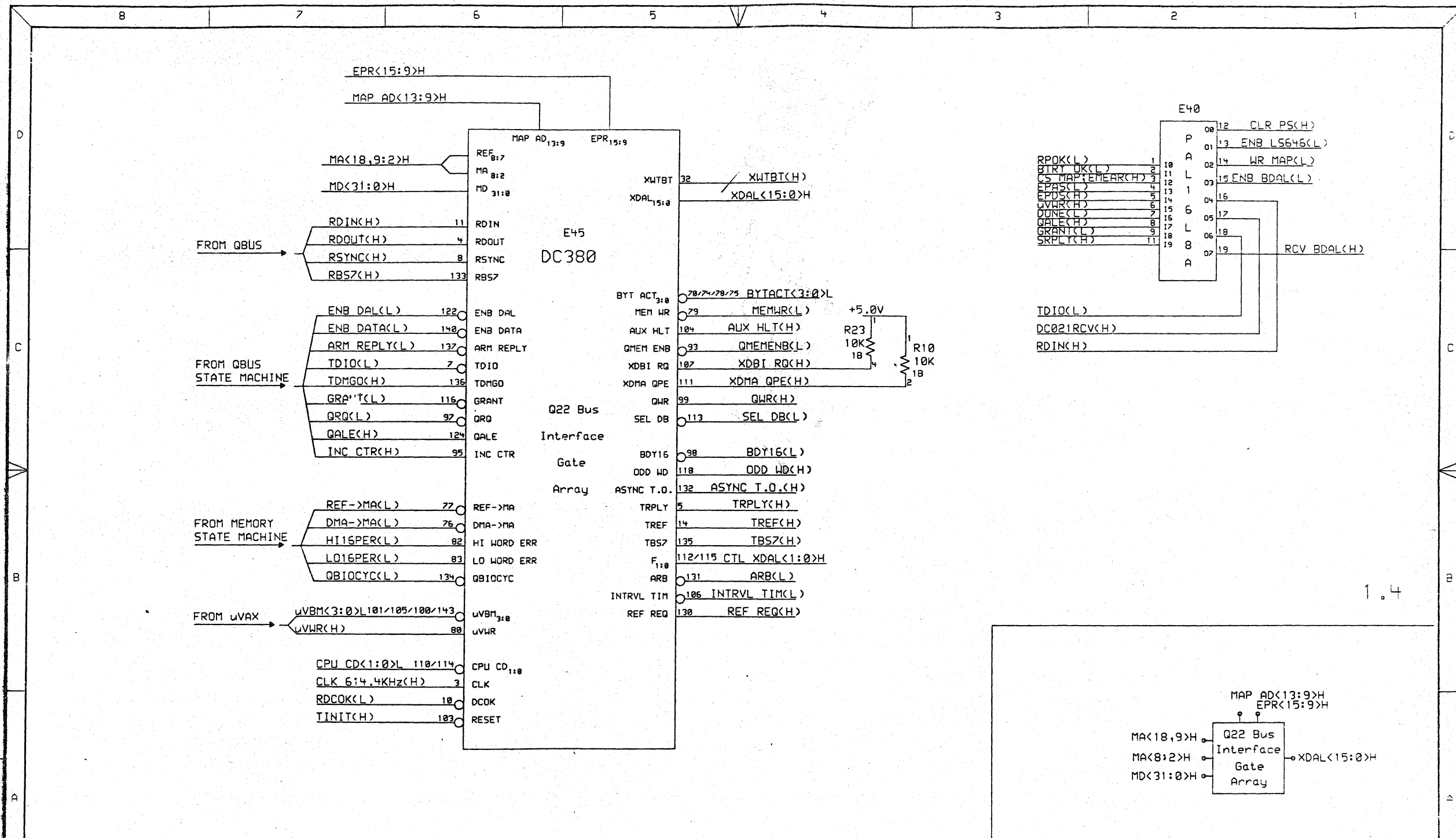
DRN: BARRY MASKAS DATE 3-OCT-84
 CHK'D: BARRY MASKAS DATE 3-OCT-84

ENG: BARRY MASKAS DATE 3-OCT-84

SHEET OF 1
 NEXT HIGHER ASSEMBLY:

TITLE: Memory SubSystem

SIZE CODE NUMBER REV
 D CS M7505 -J -7 B



"THIS DRAWING AND SPECIFICATIONS, HEREIN, ARE THE PROPERTY OF DIGITAL EQUIPMENT CORPORATION AND SHALL NOT BE REPRODUCED OR COPIED OR USED IN WHOLE OR IN PART AS THE BASIS FOR THE MANUFACTURE OR SALE OF ITEMS WITHOUT WRITTEN PERMISSION.
 COPYRIGHT 1984 DIGITAL EQUIPMENT CORPORATION

REV	ECO NUMBER	DATE
B	M/PC/M/01/10/84	

DRAWING
 TITLE=GATOR2
 ABBREV=GA2
 CIRCUIT+TYPE=GATE+ARRAY
 LAST+MODIFIED=Sun Oct 7 18:31:56 1984

DEFINE
 X*FIRST=0
 X*STEP=SIZE

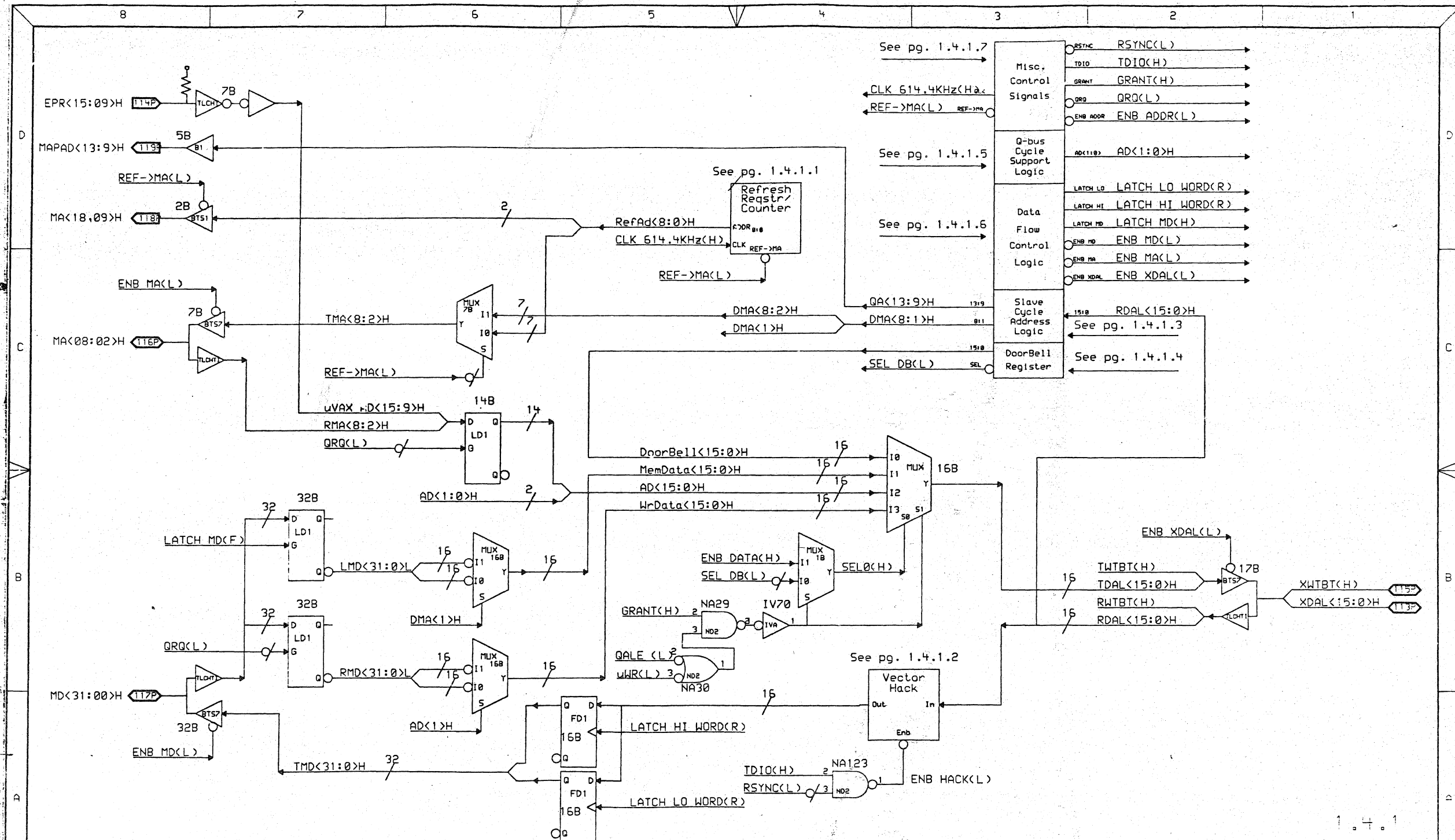


DRN:
R. McNamara
 DATE
3-OCT-84
 CHK'D:
R. McNamara
 DATE
3-OCT-84

ENG:
R. McNamara
 DATE
3-OCT-84
 SHEET 1 OF 1
 NEXT HIGHER ASSEMBLY:

TITLE:
Q22 Bus Interface Gate Array
 SIZE CODE NUMBER REV
 D CS M7505 -2 -3 9

1.4



THIS DRAWING AND SPECIFICATIONS, HEREIN, ARE THE PROPERTY OF DIGITAL EQUIPMENT CORPORATION AND SHALL NOT BE REPRODUCED OR COPIED OR USED IN WHOLE OR IN PART AS THE BASIS FOR THE MANUFACTURE OR SALE OF ITEMS WITHOUT WRITTEN PERMISSION.
 COPYRIGHT 1984 DIGITAL EQUIPMENT CORPORATION

REV	TECD NUMBER	DATE
B	11750	12-15-83

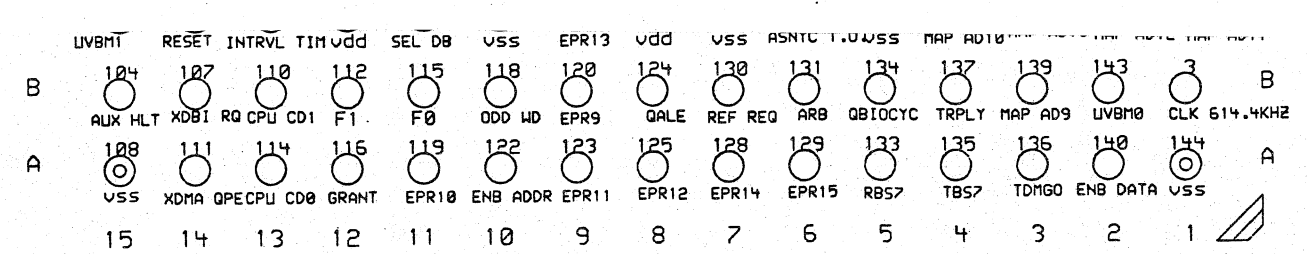
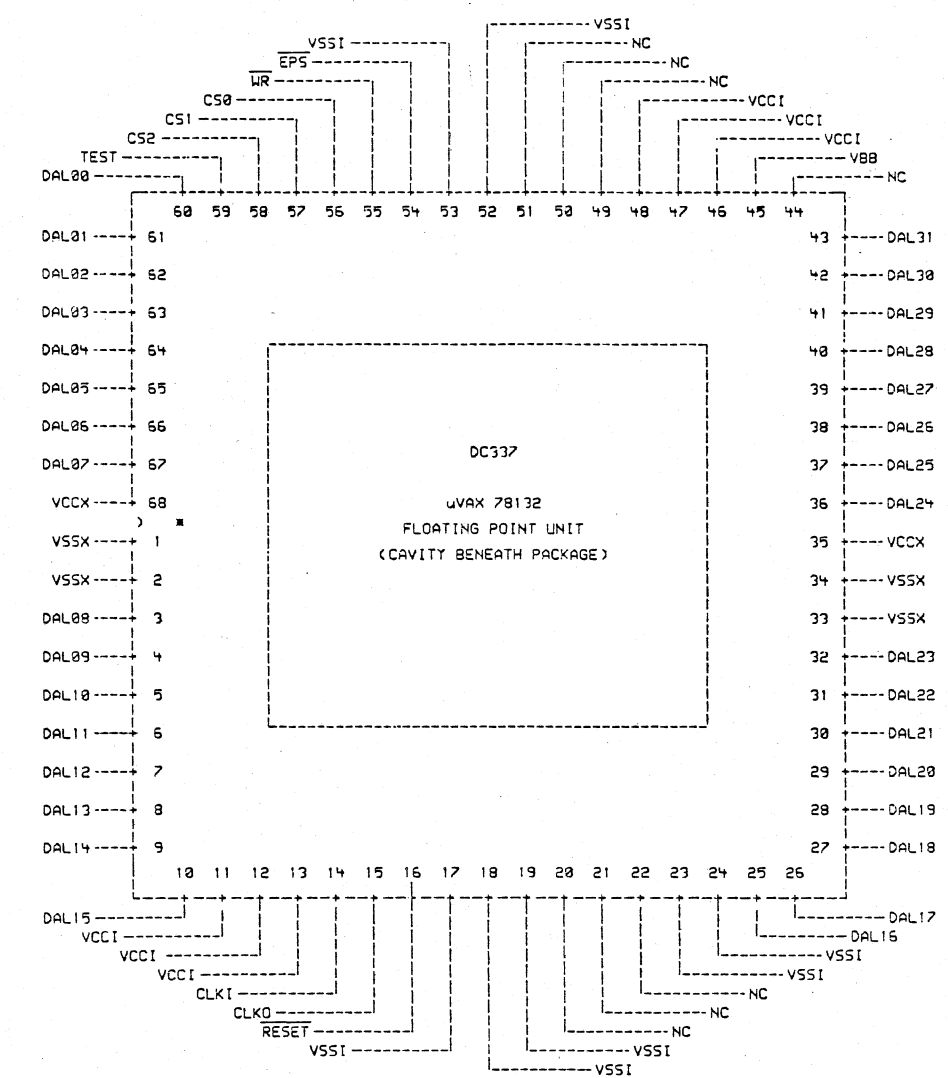
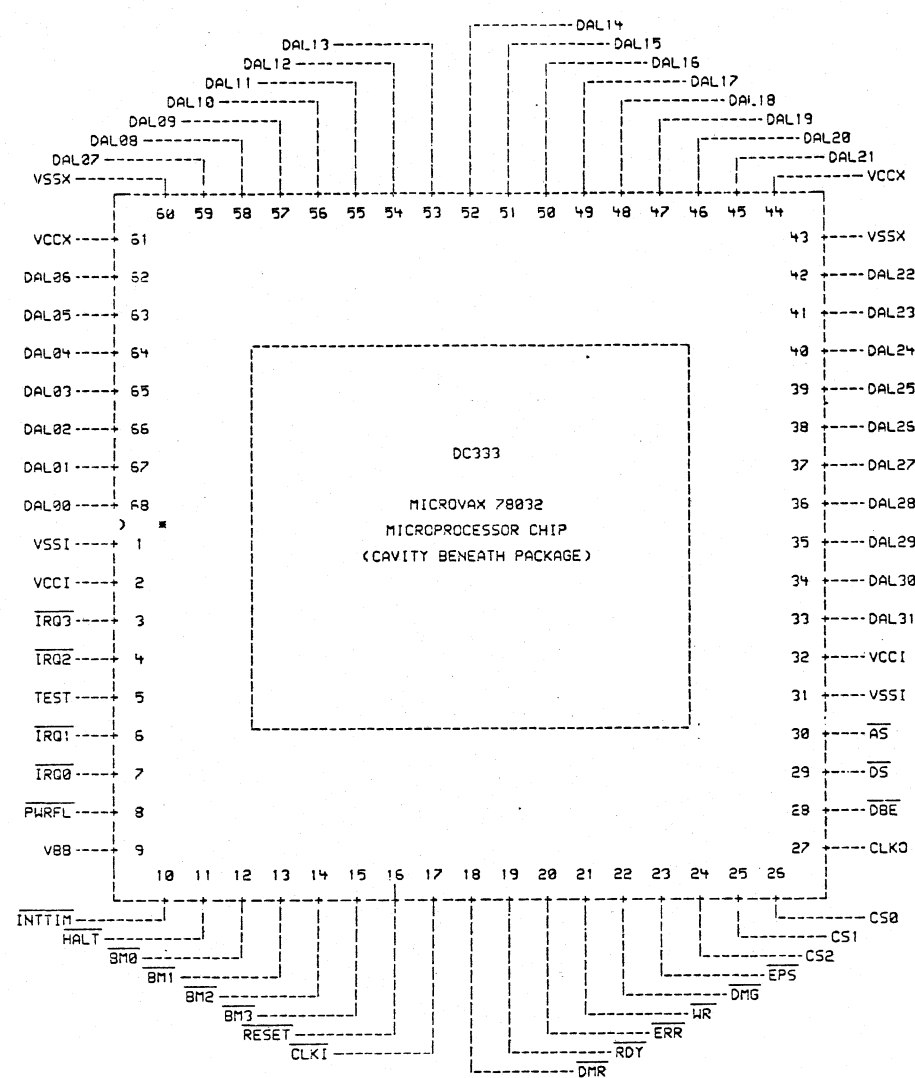
DRAWING
 TITLE=GA2
 ABBREV=GA2
 LAST*MODIFIED= Tue Oct 9 14:46:23 1984

DEFINE
 X*FIRST=0
 X*STEP=SIZE
 digital

DRN: R. McNamara	DATE 15-DEC-83	ENG: R. McNamara	DATE 15-DEC-83	TITLE: Q22 Bus Interface Gate Array
CHK'D: R. McNamara	DATE 15-DEC-83	SHEET 1 OF 1	NEXT HIGHER ASSEMBLY:	SIZE CODE D cs

NUMBER 17505-0-3	REV =
---------------------	----------

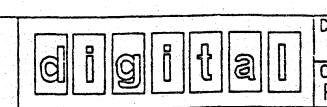
1.4.1

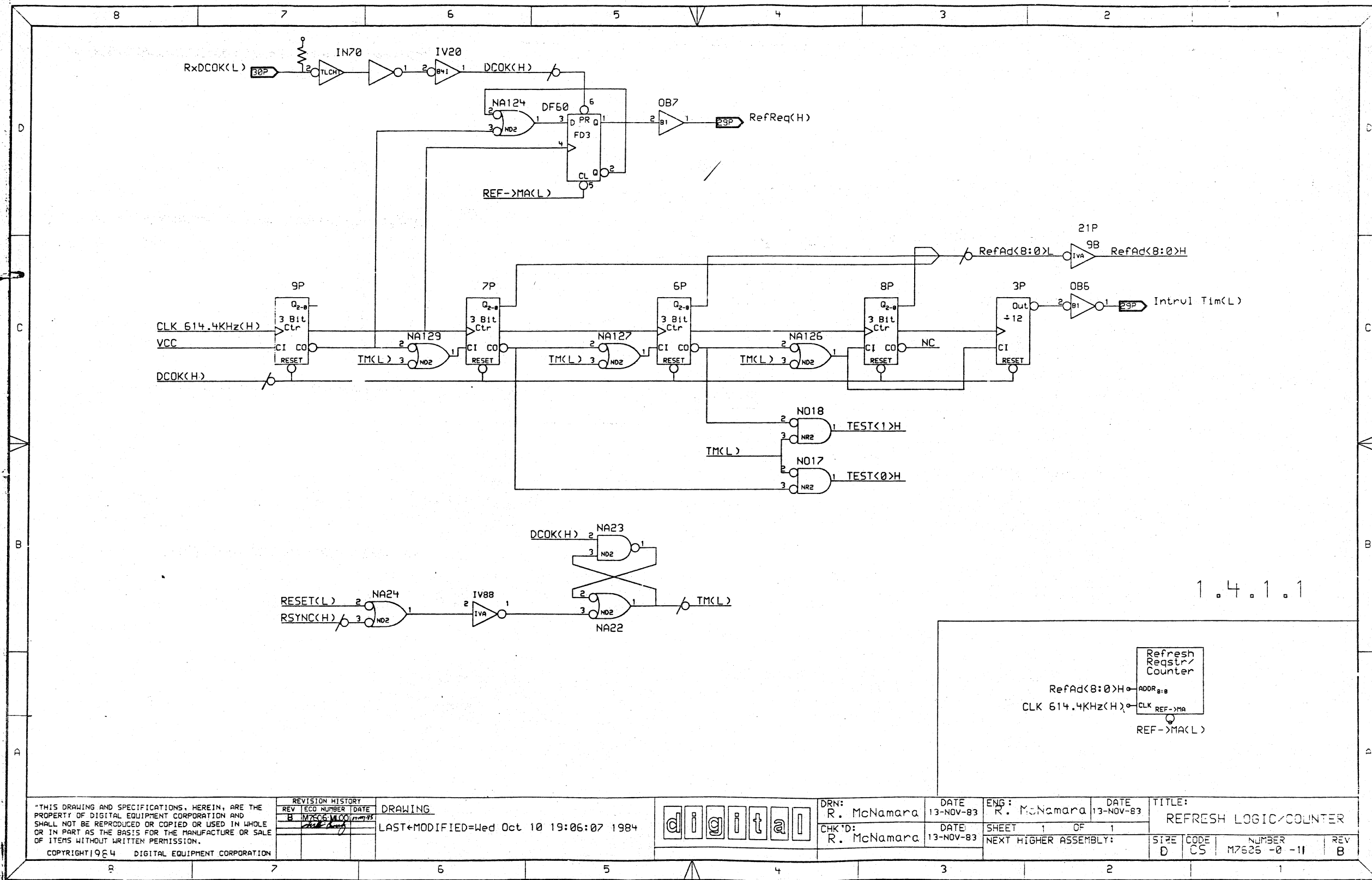


1.4.2

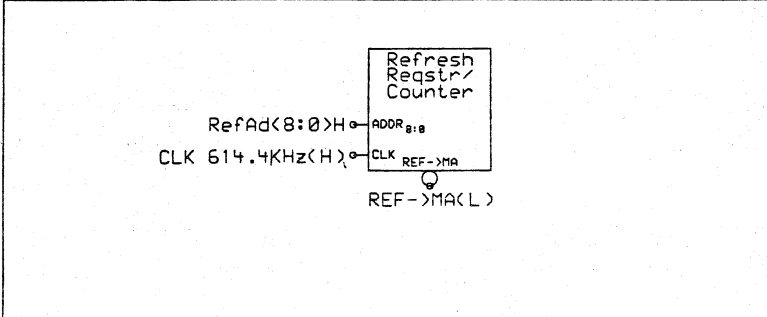
"THIS DRAWING AND SPECIFICATIONS, HEREIN, ARE THE PROPERTY OF DIGITAL EQUIPMENT CORPORATION AND SHALL NOT BE REPRODUCED OR COPIED OR USED IN WHOLE OR IN PART AS THE BASIS FOR THE MANUFACTURE OR SALE OF ITEMS WITHOUT WRITTEN PERMISSION. COPYRIGHT 1984 DIGITAL EQUIPMENT CORPORATION"

REVISION HISTORY		DRN:	DATE:	ENG:	DATE:	TITLE:
REV	ECO NUMBER	R. McNamara	18-MAY-84	R. McNamara	18-MAY-84	DC380 PAD ASSIGNMENT TOP VIEW
REV	ECO NUMBER	R. McNamara	18-MAY-84			LL5320 IN 144 PIN GRID ARRAY
		CHK'D:	DATE:	SHEET	OF	SIZE CODE NUMBER
			18-MAY-84	1	1	D CS M7505 -2 -10
		NEXT HIGHER ASSEMBLY:		REV		
				B		





1.4.1.1



"THIS DRAWING AND SPECIFICATIONS, HEREIN, ARE THE PROPERTY OF DIGITAL EQUIPMENT CORPORATION AND SHALL NOT BE REPRODUCED OR COPIED OR USED IN WHOLE OR IN PART AS THE BASIS FOR THE MANUFACTURE OR SALE OF ITEMS WITHOUT WRITTEN PERMISSION.
COPYRIGHT 1984 DIGITAL EQUIPMENT CORPORATION

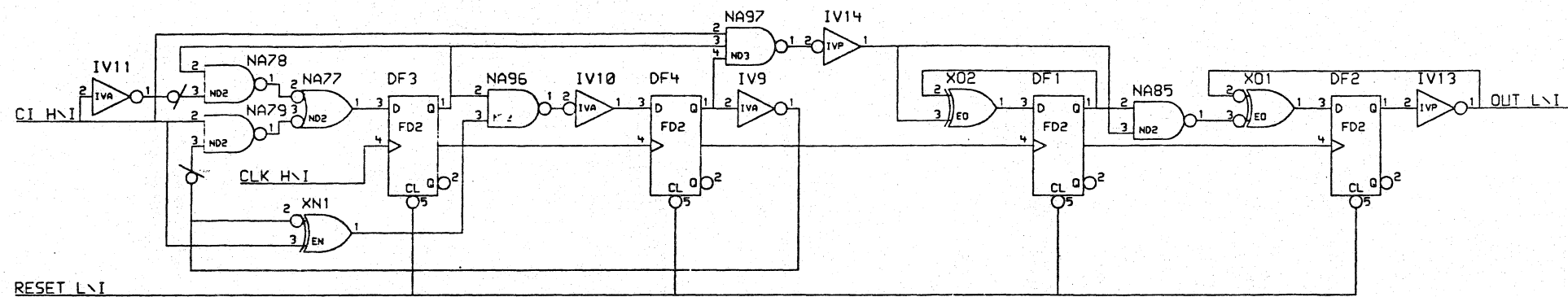
REVISION HISTORY		
REV	ECO NUMBER	DATE
B	1M7525-00	11/13/83

DRAWING
LAST MODIFIED=Wed Oct 10 19:06:07 1984

digital

DRN: R. McNamara	DATE 13-NOV-83	ENG: R. McNamara	DATE 13-NOV-83	TITLE: REFRESH LOGIC/COUNTER
CHK'D: R. McNamara	DATE 13-NOV-83	SHEET 1 OF 1	NEXT HIGHER ASSEMBLY:	SIZE D

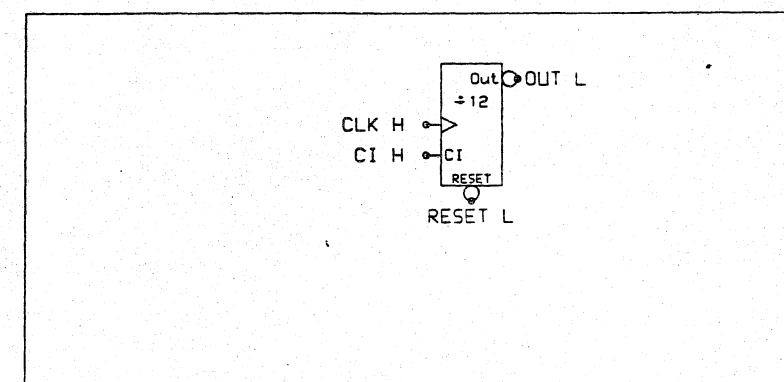
NUMBER M7525-00-11	REV B
-----------------------	----------



DIVIDE BY 3

DIVIDE BY 4

1.4.1.1.1



"THIS DRAWING AND SPECIFICATIONS, HEREIN, ARE THE PROPERTY OF DIGITAL EQUIPMENT CORPORATION AND SHALL NOT BE REPRODUCED OR COPIED OR USED IN WHOLE OR IN PART AS THE BASIS FOR THE MANUFACTURE OR SALE OF ITEMS WITHOUT WRITTEN PERMISSION.
 COPYRIGHT 1984 DIGITAL EQUIPMENT CORPORATION

REVISION HISTORY		
REV	ECO NUMBER	DATE
1	1	11/13/83

DRAWING
 TITLE=DIV BY 12
 ABBREV=DIV12
 LAST*MODIFIED=NOT WRITTEN

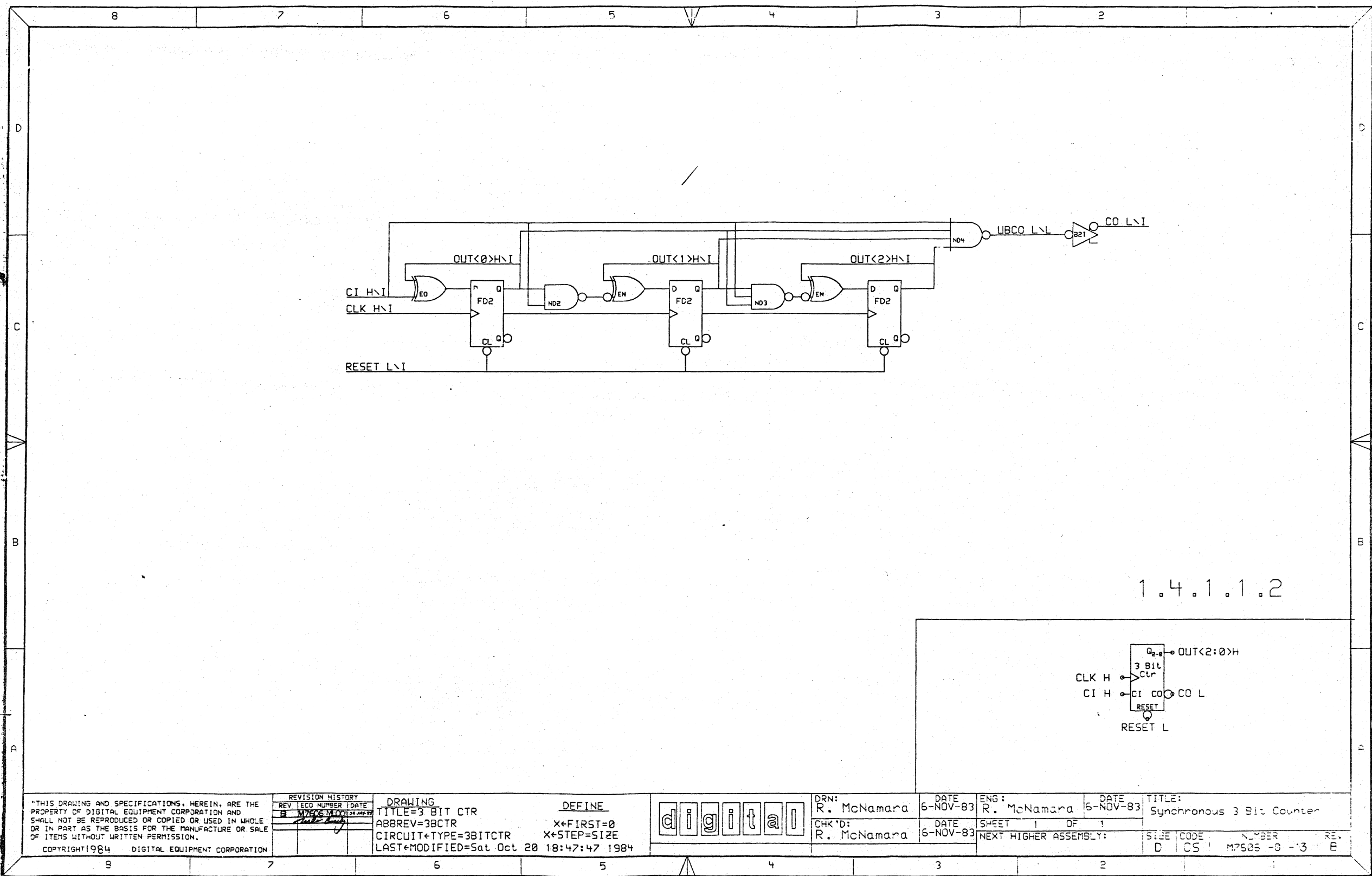
DEFINE
 X*FIRST=0
 X*STEP=SIZE



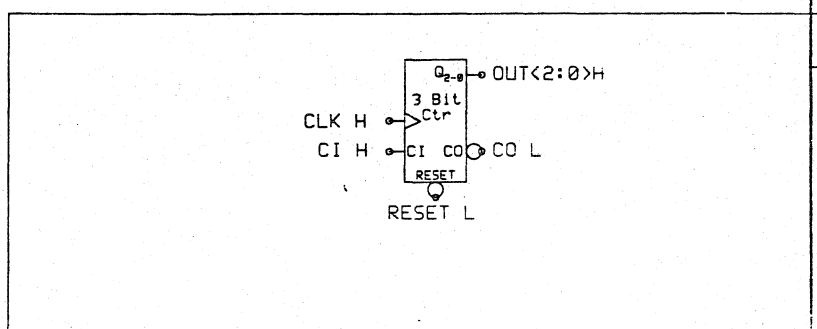
DRN: R. McNamara
 DATE: 13-NOV-83
 CHK'D: R. McNamara
 DATE: 13-NOV-83

ENG: R. McNamara
 DATE: 13-NOV-83
 SHEET 1 OF 1
 NEXT HIGHER ASSEMBLY:

TITLE: Divide by 12
 SIZE: D
 CODE: CS
 NUMBER: M7525 -2 -12
 REV: B



1.4.1.1.2

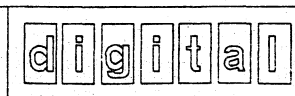


*THIS DRAWING AND SPECIFICATIONS, HEREIN, ARE THE PROPERTY OF DIGITAL EQUIPMENT CORPORATION AND SHALL NOT BE REPRODUCED OR COPIED OR USED IN WHOLE OR IN PART AS THE BASIS FOR THE MANUFACTURE OR SALE OF ITEMS WITHOUT WRITTEN PERMISSION.
COPYRIGHT 1984 DIGITAL EQUIPMENT CORPORATION

REV	TECD NUMBER	DATE
1		11/24/83

DRAWING
 TITLE=3 BIT CTR
 ABBREV=3BCTR
 CIRCUIT+TYPE=3BITCTR
 LAST*MODIFIED=Sat Oct 20 18:47:47 1984

DEFINE
 X*FIRST=0
 X*STEP=SIZE



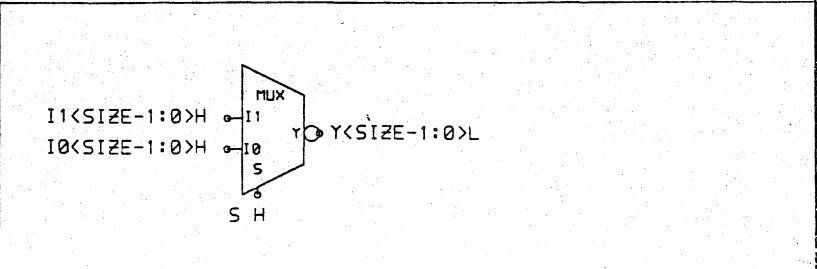
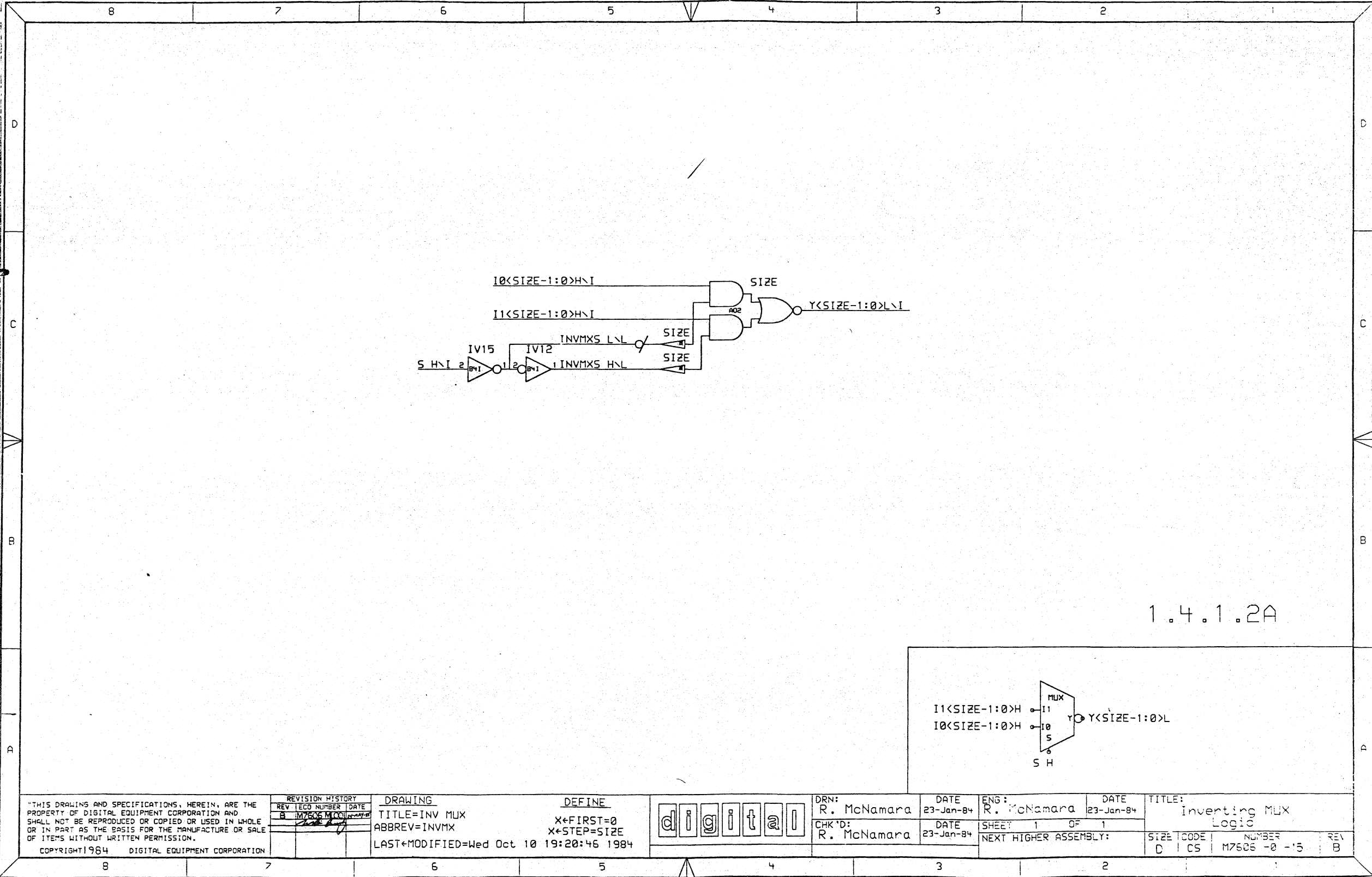
DRN:
R. McNamara
 CHK'D:
R. McNamara

DATE
6-NOV-83
 DATE
6-NOV-83

ENG:
R. McNamara
 SHEET 1 OF 1
 NEXT HIGHER ASSEMBLY:

TITLE:
Synchronous 3 Bit Counter

SIZE	CODE	NUMBER	REV.
D	CS	M7505 -3 -3	E



THIS DRAWING AND SPECIFICATIONS, HEREIN, ARE THE PROPERTY OF DIGITAL EQUIPMENT CORPORATION AND SHALL NOT BE REPRODUCED OR COPIED OR USED IN WHOLE OR IN PART AS THE BASIS FOR THE MANUFACTURE OR SALE OF ITEMS WITHOUT WRITTEN PERMISSION.
 COPYRIGHT 1984 DIGITAL EQUIPMENT CORPORATION

REVISION HISTORY		
REV	ECO NUMBER	DATE
B	M7605 MUX	1/23/84

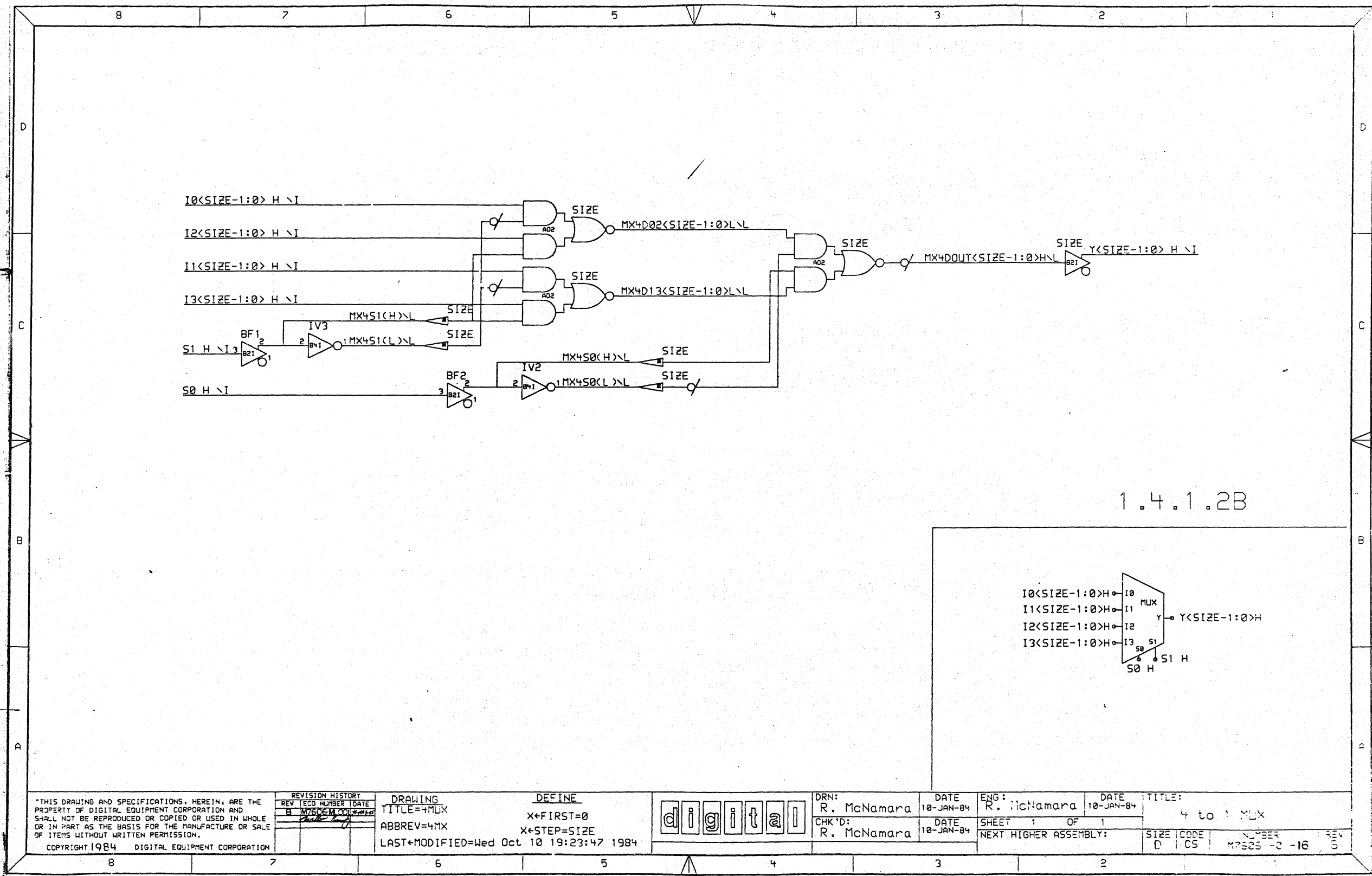
DRAWING
 TITLE=INV MUX
 ABBREV=INVMX
 LAST*MODIFIED=Wed Oct 10 19:20:46 1984

DEFINE
 X*FIRST=0
 X*STEP=SIZE
 digital

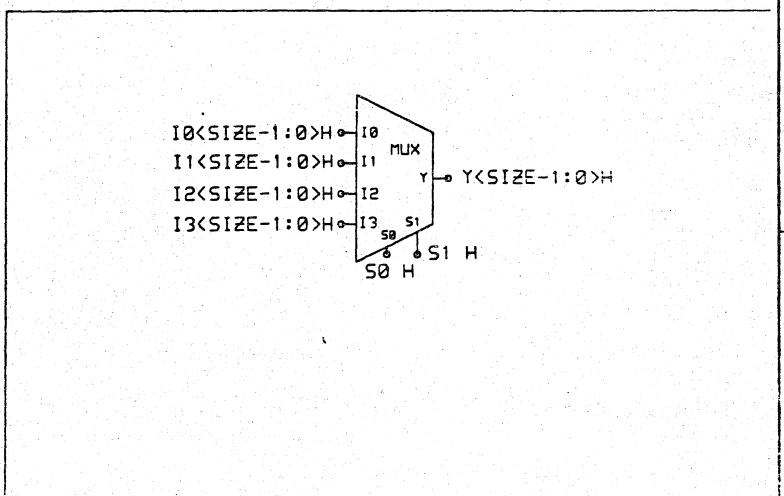
DRN: R. McNamara
 CHK'D: R. McNamara

DATE: 23-Jan-84
 DATE: 23-Jan-84
 SHEET: 1 OF 1
 NEXT HIGHER ASSEMBLY:

ENG: R. McNamara
 DATE: 23-Jan-84
 TITLE: Inverting MUX Logic
 SIZE CODE: D CS
 NUMBER: M7605-0-15
 REV: B



1.4.1.2B



"THIS DRAWING AND SPECIFICATIONS, HEREIN, ARE THE PROPERTY OF DIGITAL EQUIPMENT CORPORATION AND SHALL NOT BE REPRODUCED OR COPIED OR USED IN WHOLE OR IN PART AS THE BASIS FOR THE MANUFACTURE OR SALE OF ITEMS WITHOUT WRITTEN PERMISSION.
 COPYRIGHT 1984 DIGITAL EQUIPMENT CORPORATION

REVISION HISTORY		
REV	LED NUMBER	DATE
B	M7502M	10-JAN-84

DRAWING TITLE=4MUX
 ABBREV=4MX
 LAST*MODIFIED=Wed Oct 10 19:23:47 1984

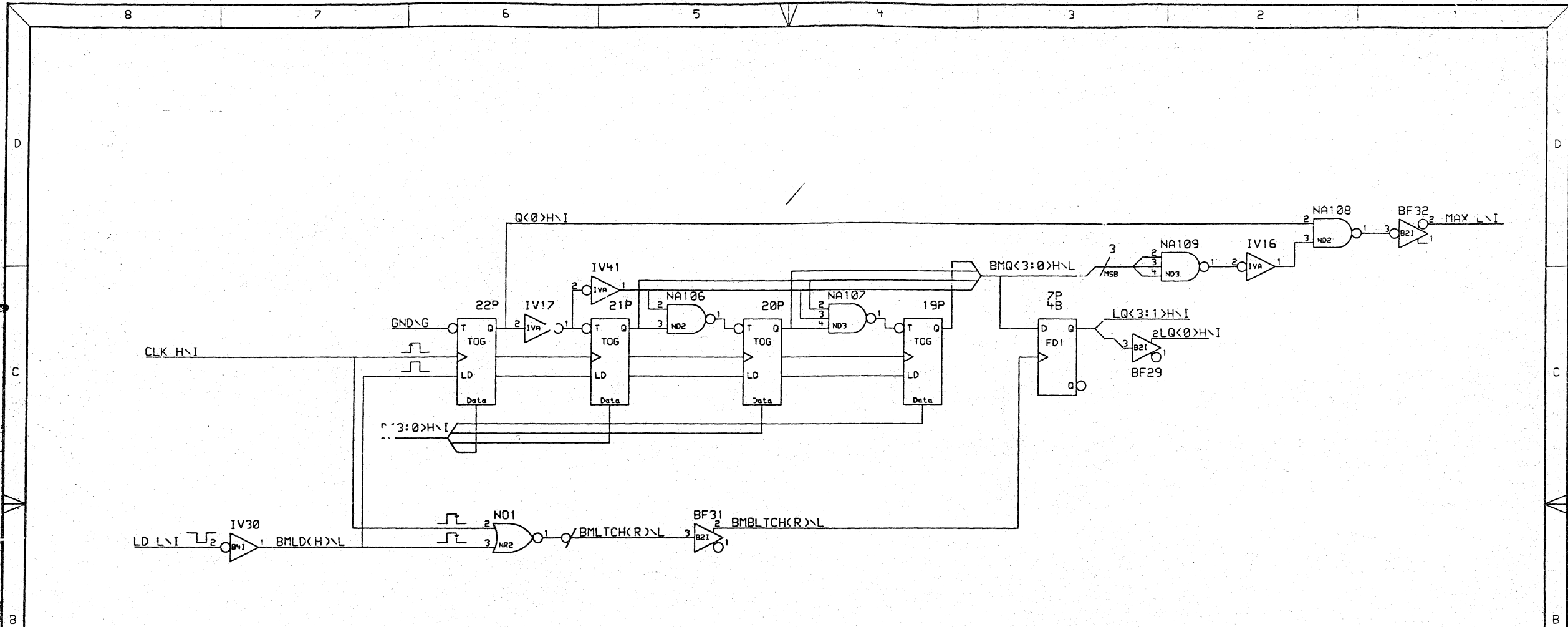
DEFINE
 X*FIRST=0
 X*STEP=SIZE



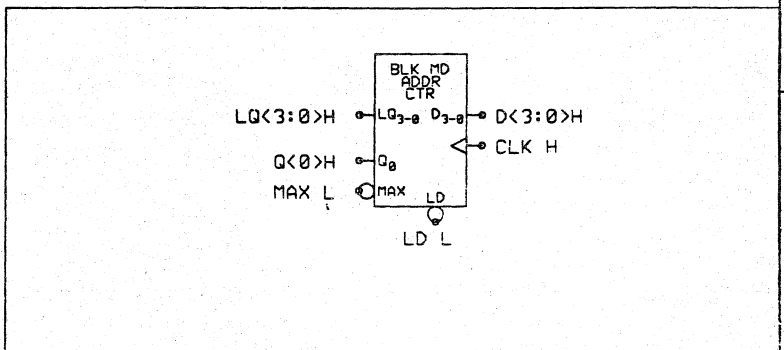
DRN: R. McNamara
 DATE 10-JAN-84
 CHK'D: R. McNamara
 DATE 10-JAN-84

ENG: R. McNamara
 DATE 10-JAN-84
 SHEET 1 OF 1
 NEXT HIGHER ASSEMBLY:

SIZE	CODE	NUMBER	REV
D	CS	M7525 -2 -16	5



1.4.1.3.1



"THIS DRAWING AND SPECIFICATIONS, HEREIN, ARE THE PROPERTY OF DIGITAL EQUIPMENT CORPORATION AND SHALL NOT BE REPRODUCED OR COPIED OR USED IN WHOLE OR IN PART AS THE BASIS FOR THE MANUFACTURE OR SALE OF ITEMS WITHOUT WRITTEN PERMISSION.
COPYRIGHT 1984 DIGITAL EQUIPMENT CORPORATION

REV	ECO NUMBER	DATE
1		10/10/84

DRAWING
TITLE=BLK MD CTR
ABBREV=BMCTR
CIRCUIT+TYPE=BLKMDCTR
LAST+MODIFIED=Wed Oct 10 19:28:01 1984

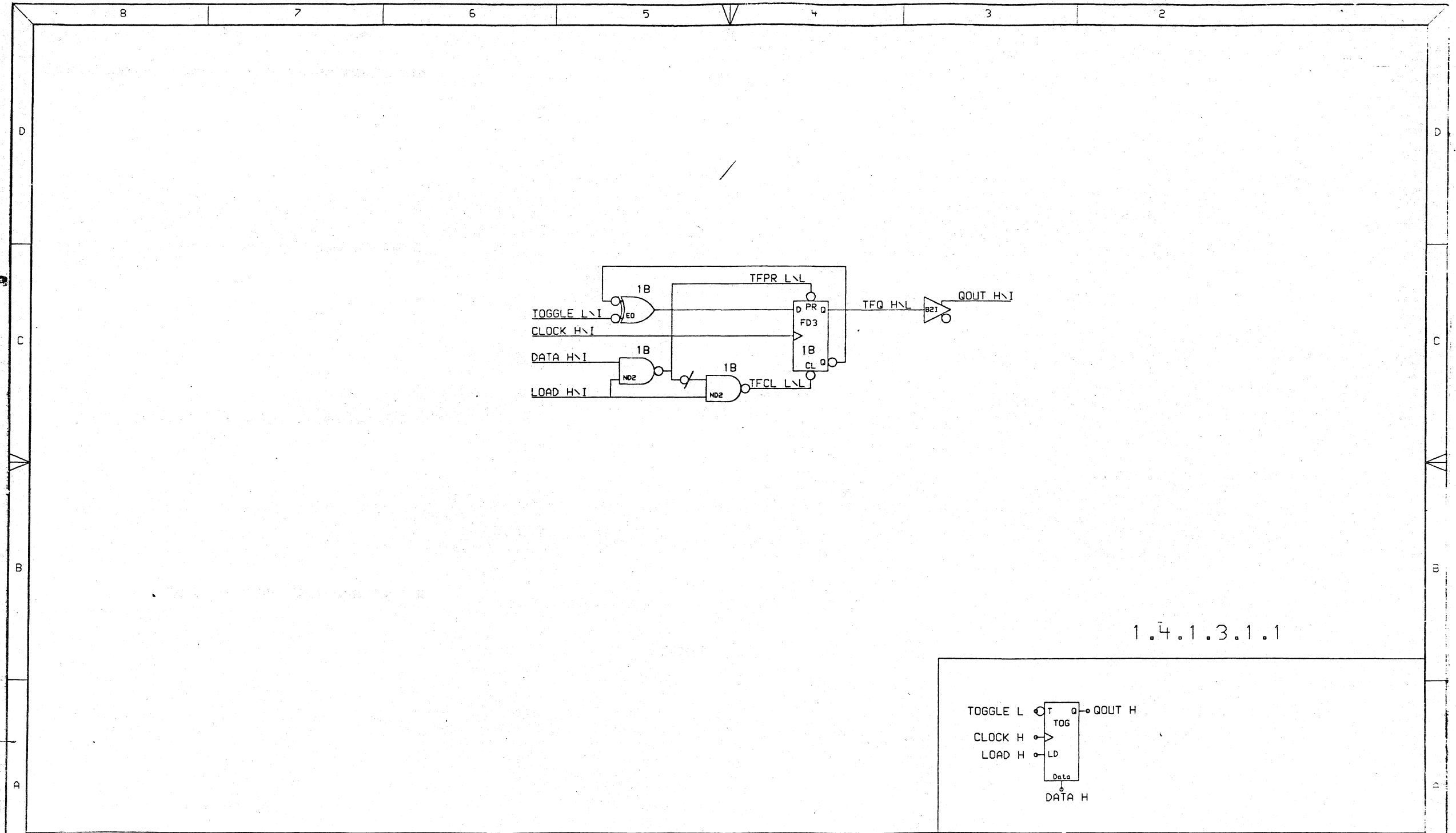
DEFINE
X*FIRST=0
X*STEP=SIZE



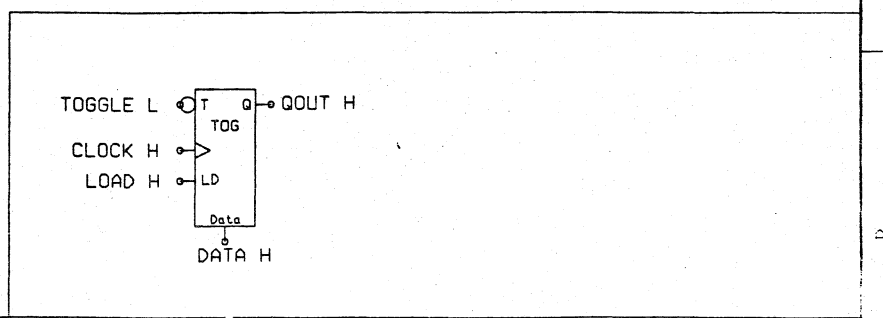
DRN: R. McNamara
CHK'D: R. McNamara

DATE 6-NOV-83
DATE 6-NOV-83

ENG: R. McNamara
SHEET 1 OF 1
NEXT HIGHER ASSEMBLY:
TITLE: BLK MD CTR LOGIC
SIZE CODE NUMBER REV
D CS M7506 -0 -18 E



1.4.1.3.1.1



"THIS DRAWING AND SPECIFICATIONS, HEREIN, ARE THE PROPERTY OF DIGITAL EQUIPMENT CORPORATION AND SHALL NOT BE REPRODUCED OR COPIED OR USED IN WHOLE OR IN PART AS THE BASIS FOR THE MANUFACTURE OR SALE OF ITEMS WITHOUT WRITTEN PERMISSION.
COPYRIGHT 1984 DIGITAL EQUIPMENT CORPORATION

REVISION HISTORY		
REV	ECO NUMBER	DATE
1		
2		

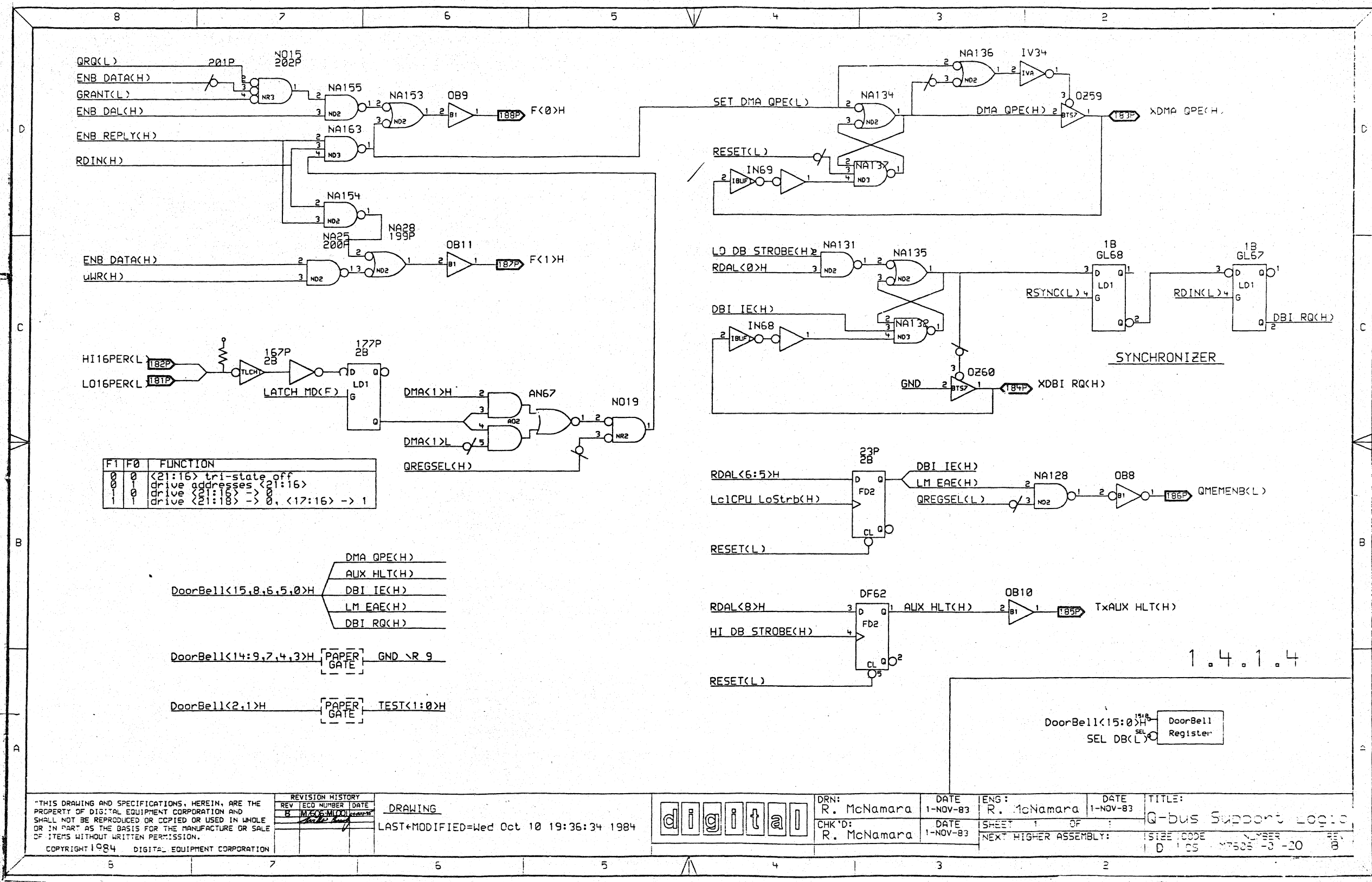
DRAWING
TITLE=TOG
ABBREV=TOG
LAST*MODIFIED=Wed Oct 10 19:57:28 1984

DEFINE
X*FIRST=0
X*STEP=SIZE
digital

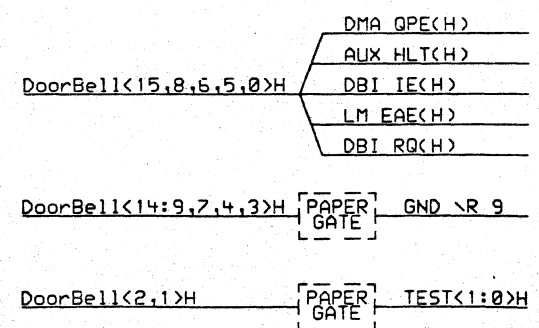
DRN:
R. McNamara
CHK'D:
R. McNamara

DATE
5-NOV-83
DATE
6-NOV-83
SHEET 1 OF 1
NEXT HIGHER ASSEMBLY:

ENG.
R. McNamara
DATE
6-NOV-83
TITLE:
TOGGLE FLOP
SIZE CODE
D 05 1 M7505 -2 -19
REV.
6



F1	F0	FUNCTION
0	0	<21:16> tri-state off
0	1	drive addresses <21:16>
1	0	drive <21:16> -> 0
1	1	drive <21:18> -> 0, <17:16> -> 1



1.4.1.4

DoorBell Register

THIS DRAWING AND SPECIFICATIONS, HEREIN, ARE THE PROPERTY OF DIGITAL EQUIPMENT CORPORATION AND SHALL NOT BE REPRODUCED OR COPIED OR USED IN WHOLE OR IN PART AS THE BASIS FOR THE MANUFACTURE OR SALE OF ITEMS WITHOUT WRITTEN PERMISSION.

COPYRIGHT 1984 DIGITAL EQUIPMENT CORPORATION

REVISION HISTORY

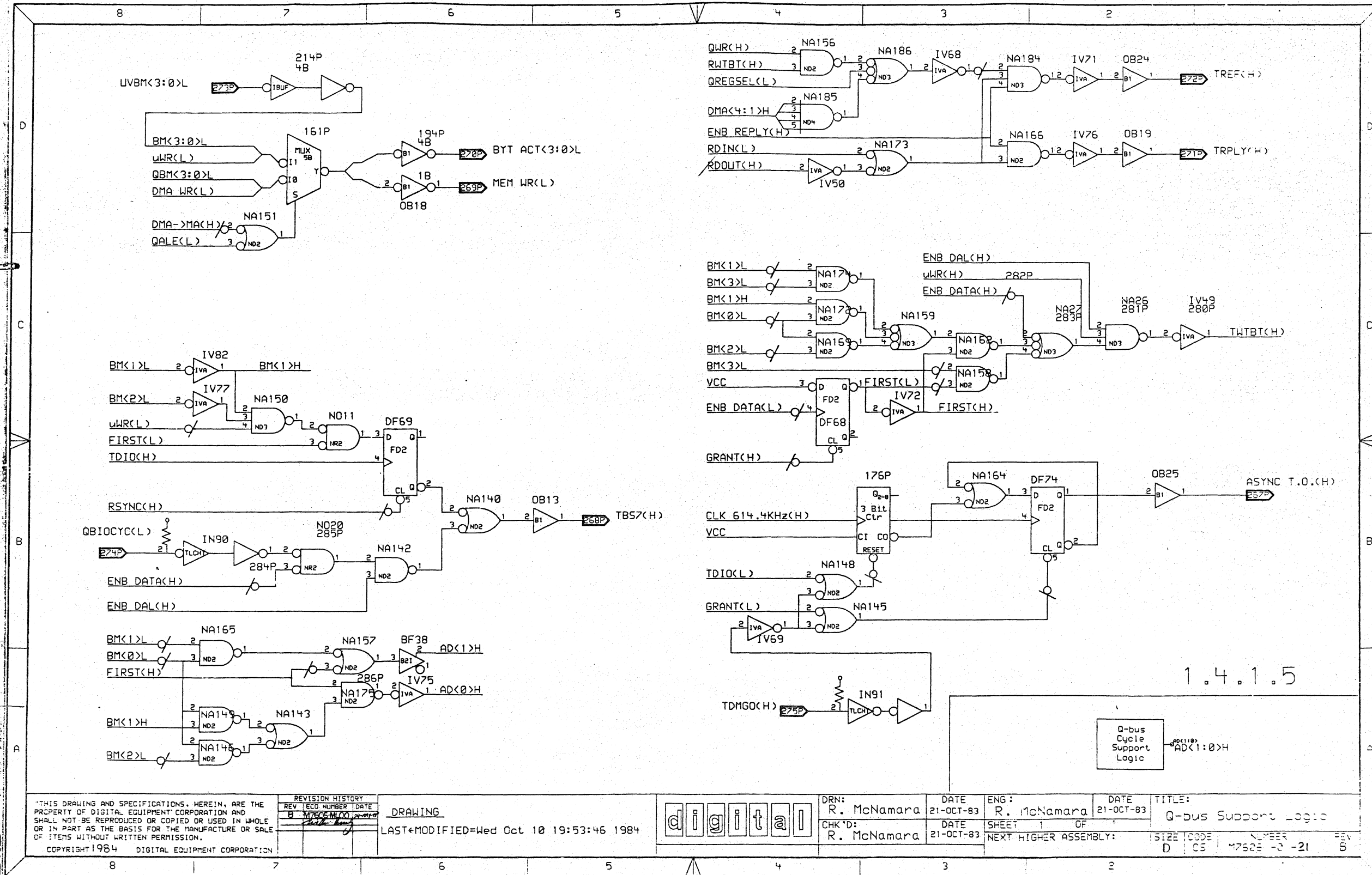
REV	TECO NUMBER	DATE
1		

DRAWING

LAST MODIFIED=Wed Oct 10 19:36:34 1984

digital

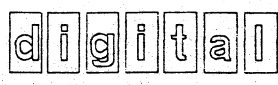
DRN: R. McNamara	DATE 1-NOV-83	ENG: R. McNamara	DATE 1-NOV-83	TITLE: Q-bus Support Logic
CHK'D: R. McNamara	DATE 1-NOV-83	SHEET 1 OF	NEXT HIGHER ASSEMBLY:	SIZE CODE D 125
			NUMBER -20	REV. B



THIS DRAWING AND SPECIFICATIONS, HEREIN, ARE THE PROPERTY OF DIGITAL EQUIPMENT CORPORATION AND SHALL NOT BE REPRODUCED OR COPIED OR USED IN WHOLE OR IN PART AS THE BASIS FOR THE MANUFACTURE OR SALE OF ITEMS WITHOUT WRITTEN PERMISSION.
 COPYRIGHT 1984 DIGITAL EQUIPMENT CORPORATION

REVISION HISTORY		
REV	ECO NUMBER	DATE
B	M7625-100	21-OCT-83

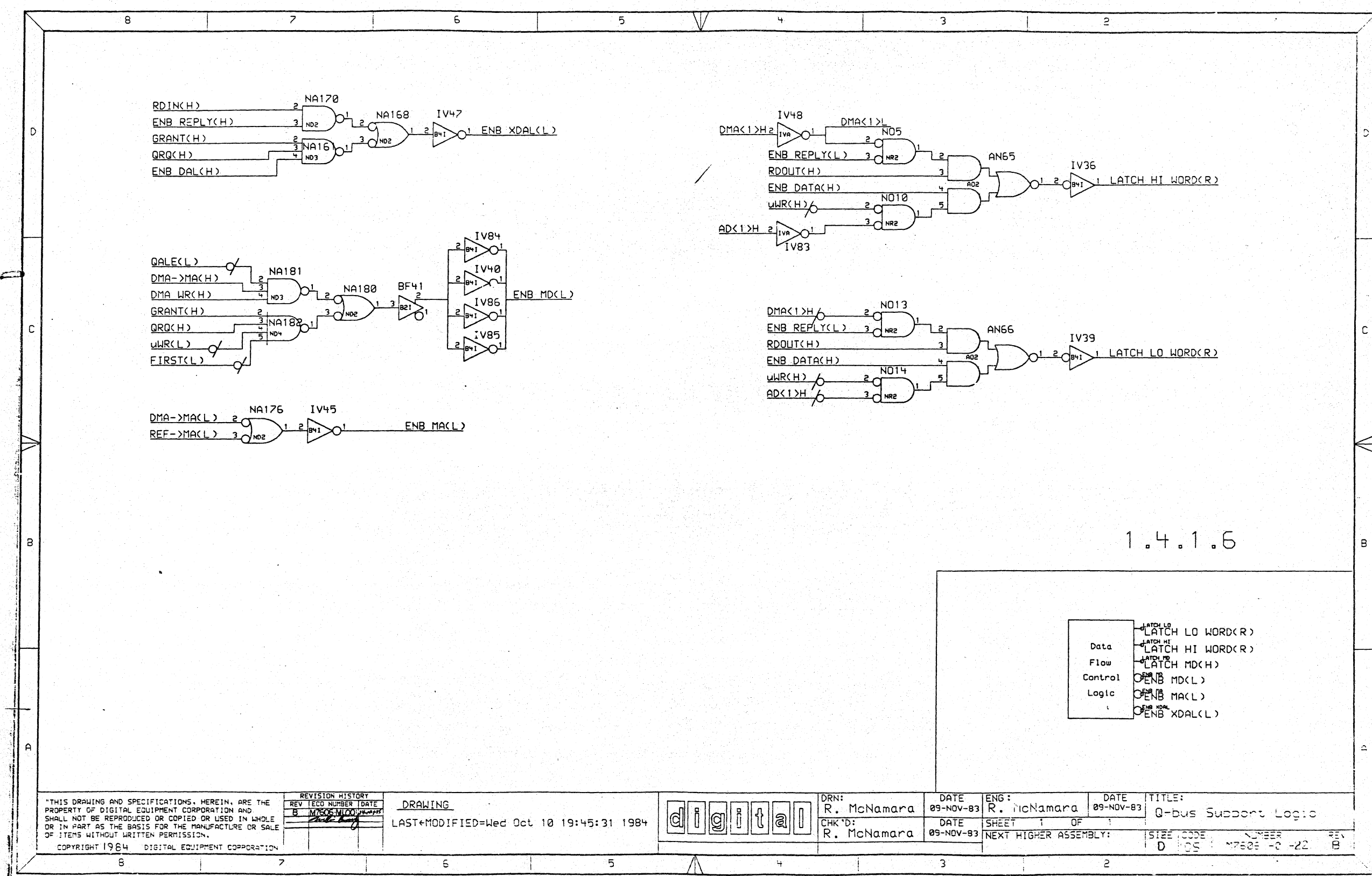
DRAWING
 LAST MODIFIED=Wed Oct 10 19:53:46 1984



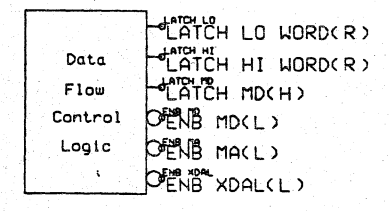
DRN: R. McNamara	DATE 21-OCT-83	ENG: R. McNamara	DATE 21-OCT-83	TITLE: Q-bus Support Logic
CHK'D: R. McNamara	DATE 21-OCT-83	SHEET 1 OF	NEXT HIGHER ASSEMBLY:	SIZE CODE D C5

NUMBER M7625-100-21	REV B
------------------------	----------

1.4.1.5



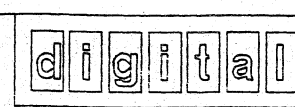
1.4.1.6



"THIS DRAWING AND SPECIFICATIONS, HEREIN, ARE THE PROPERTY OF DIGITAL EQUIPMENT CORPORATION AND SHALL NOT BE REPRODUCED OR COPIED OR USED IN WHOLE OR IN PART AS THE BASIS FOR THE MANUFACTURE OR SALE OF ITEMS WITHOUT WRITTEN PERMISSION.
 COPYRIGHT 1964 DIGITAL EQUIPMENT CORPORATION

REVISION HISTORY		
REV	ECO NUMBER	DATE
B	M7505-2-22	11/09/83

DRAWING
 LAST MODIFIED=Wed Oct 10 19:45:31 1984

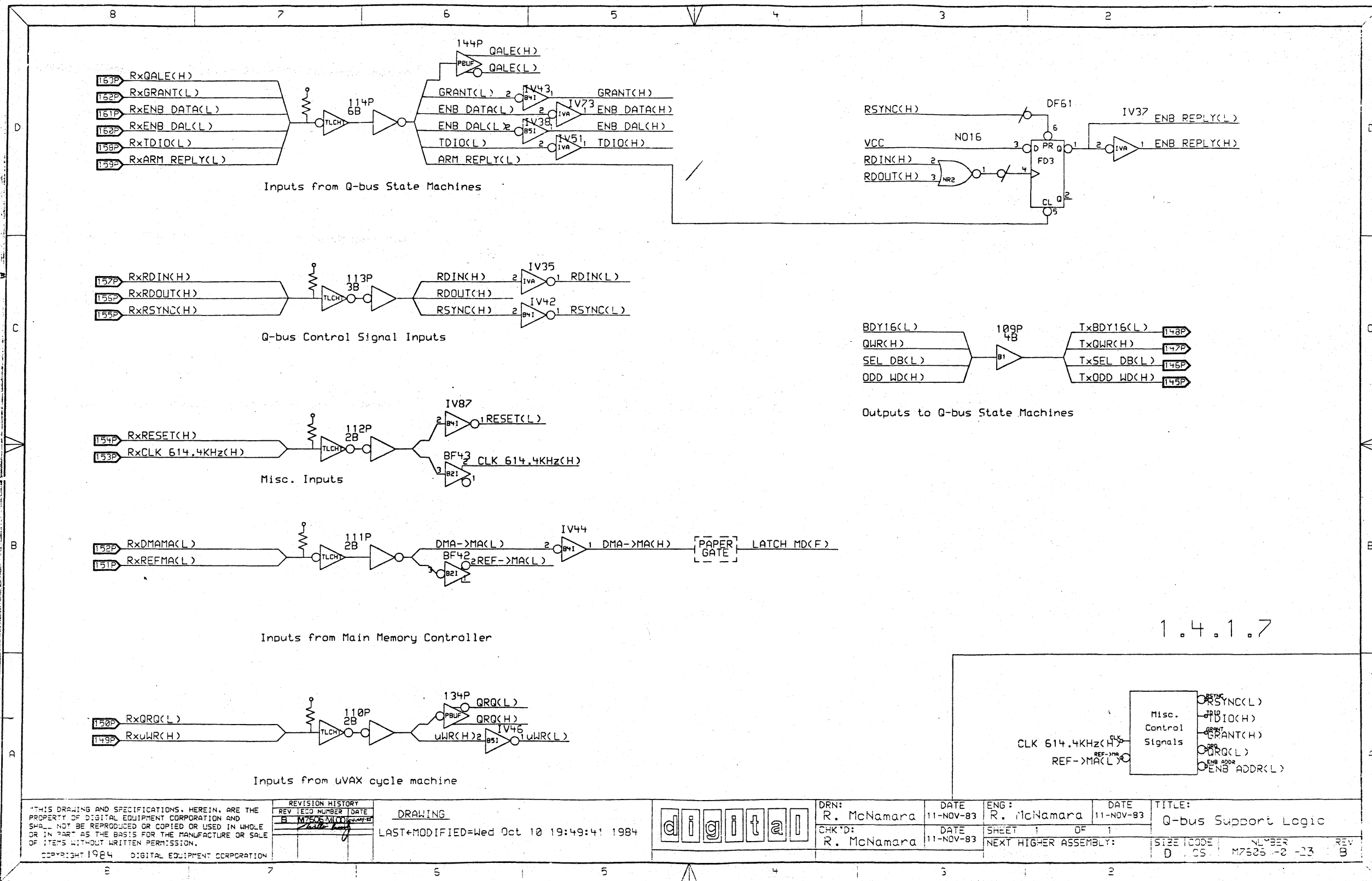


DRN:
 R. McNamara
 CHK'D:
 R. McNamara

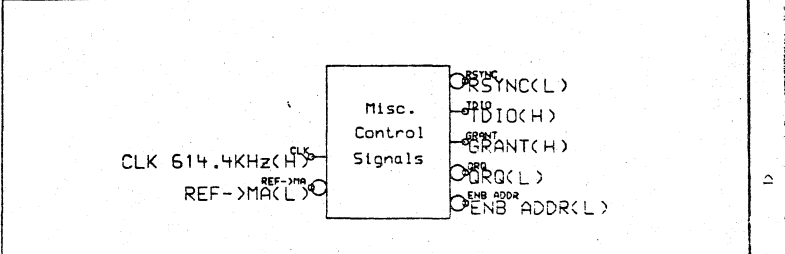
DATE
 09-NOV-83
 DATE
 09-NOV-83

ENG:
 R. McNamara
 SHEET 1 OF 1
 NEXT HIGHER ASSEMBLY:

TITLE:
 Q-bus Support Logic
 SIZE CODE NUMBER REV
 D 05 M7505-2-22 B

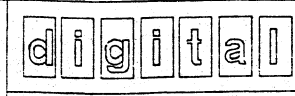


1.4.1.7



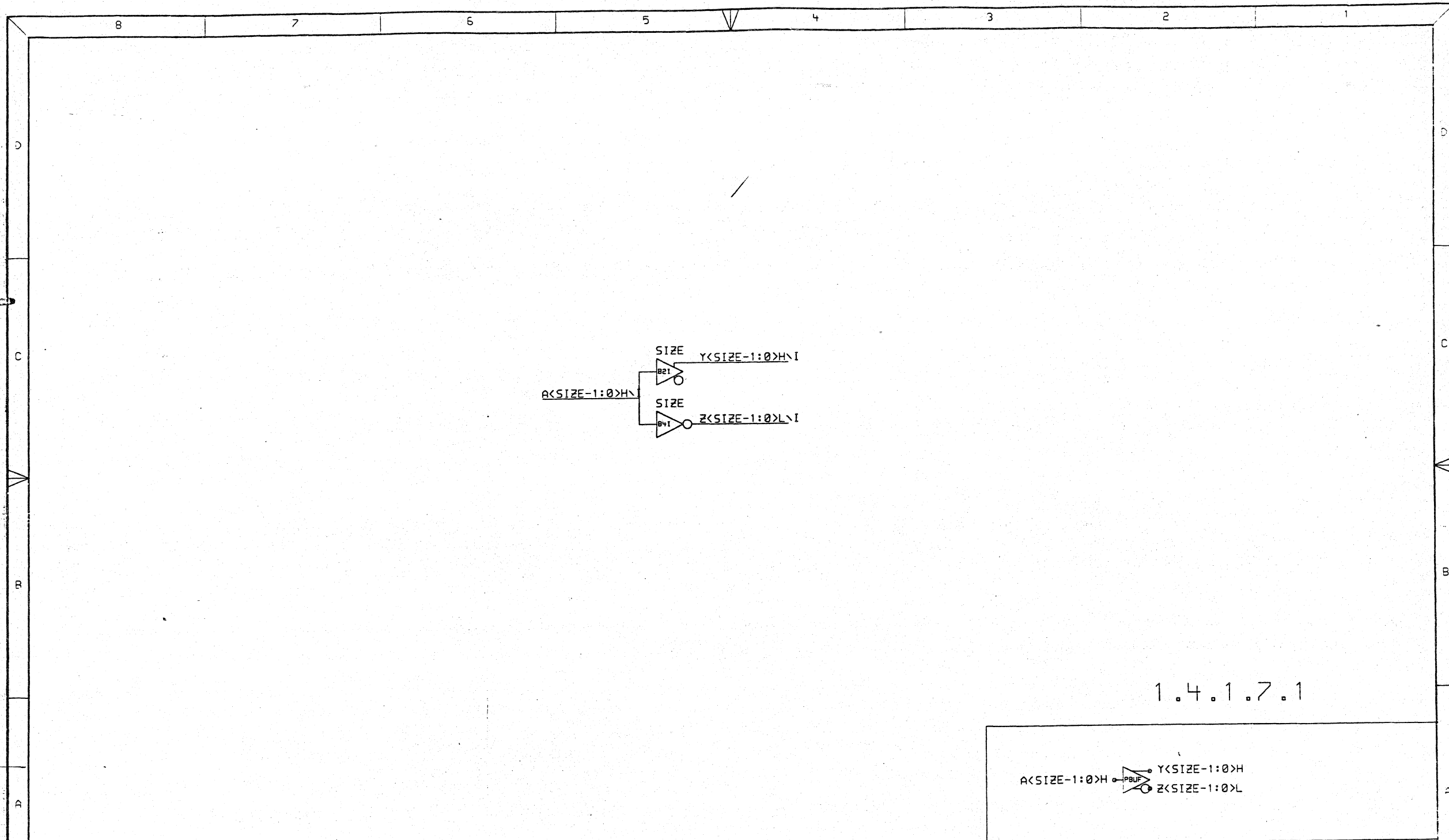
THIS DRAWING AND SPECIFICATIONS, HEREIN, ARE THE PROPERTY OF DIGITAL EQUIPMENT CORPORATION AND SHALL NOT BE REPRODUCED OR COPIED OR USED IN WHOLE OR IN PART AS THE BASIS FOR THE MANUFACTURE OR SALE OF ITEMS WITHOUT WRITTEN PERMISSION.
 COPYRIGHT 1984 DIGITAL EQUIPMENT CORPORATION

REVISION HISTORY		DRAWING
REV	TECD NUMBER DATE	
1	11/10/83	LAST*MODIFIED=Wed Oct 10 19:49:41 1984
2	11/10/83	

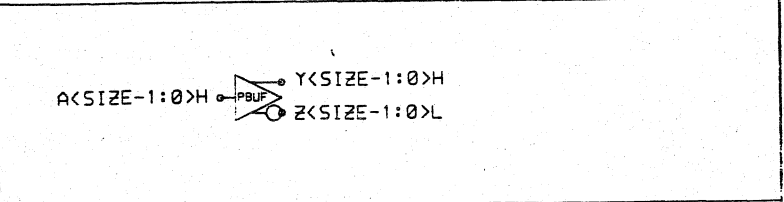


DRN: R. McNamara	DATE 11-NOV-83	ENG: R. McNamara	DATE 11-NOV-83	TITLE: Q-bus Support Logic
CHK'D: R. McNamara	DATE 11-NOV-83	SHEET 1 OF 1	NEXT HIGHER ASSEMBLY:	SIZE CODE D CS

NUMBER M7505 -2 -23	REV B
------------------------	----------



1.4.1.7.1



THIS DRAWING AND SPECIFICATIONS, HEREIN, ARE THE PROPERTY OF DIGITAL EQUIPMENT CORPORATION AND SHALL NOT BE REPRODUCED OR COPIED OR USED IN WHOLE OR IN PART AS THE BASIS FOR THE MANUFACTURE OR SALE OF ITEMS WITHOUT WRITTEN PERMISSION.
 COPYRIGHT 1984 DIGITAL EQUIPMENT CORPORATION

REVISION HISTORY		
REV	TEC NUMBER	DATE
1		

DRAWING TITLE=PBUF
 ABBREV=PBUF
 LAST*MODIFIED=Wed Oct 10 20:01:17 1984

DEFINE
 X*FIRST=0
 X*STEP=SIZE

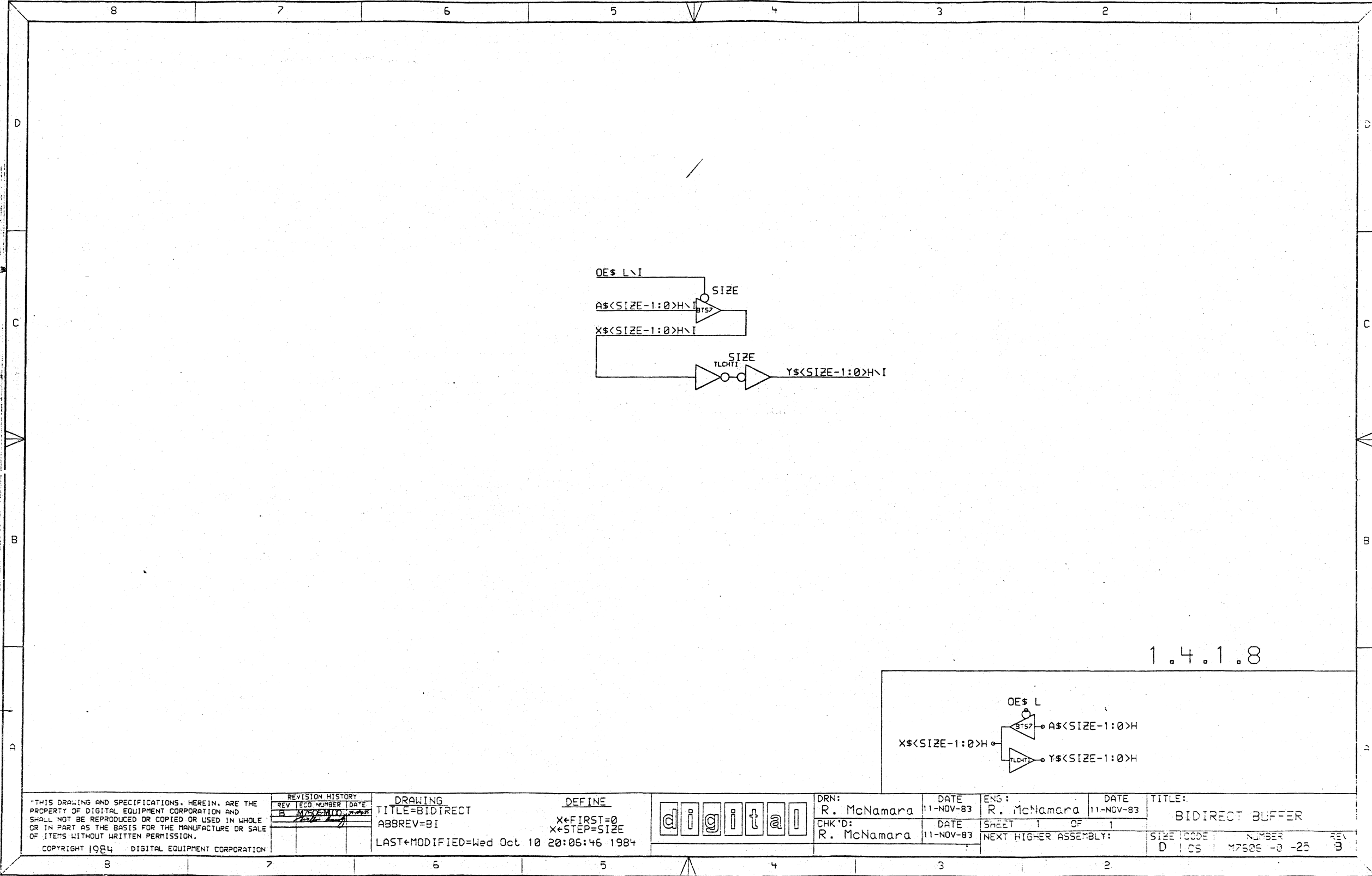


DRN: R. McNamara
 CHK'D: R. McNamara

DATE 11-JAN-84
 DATE 11-JAN-84

ENG: R. McNamara
 SHEET 1 OF 1
 NEXT HIGHER ASSEMBLY:

TITLE: Power Buffer Macro
 SIZE CODE D CS
 NUMBER M7525 -0 -24
 REV B



THIS DRAWING AND SPECIFICATIONS, HEREIN, ARE THE PROPERTY OF DIGITAL EQUIPMENT CORPORATION AND SHALL NOT BE REPRODUCED OR COPIED OR USED IN WHOLE OR IN PART AS THE BASIS FOR THE MANUFACTURE OR SALE OF ITEMS WITHOUT WRITTEN PERMISSION.
 COPYRIGHT 1984 DIGITAL EQUIPMENT CORPORATION

REVISION HISTORY		
REV	ECO NUMBER	DATE
1		

DRAWING
 TITLE=BIDIRECT
 ABBREV=BI
 LAST*MODIFIED=Wed Oct 10 20:06:46 1984

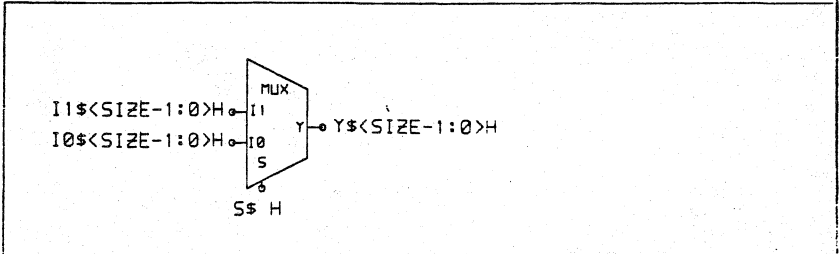
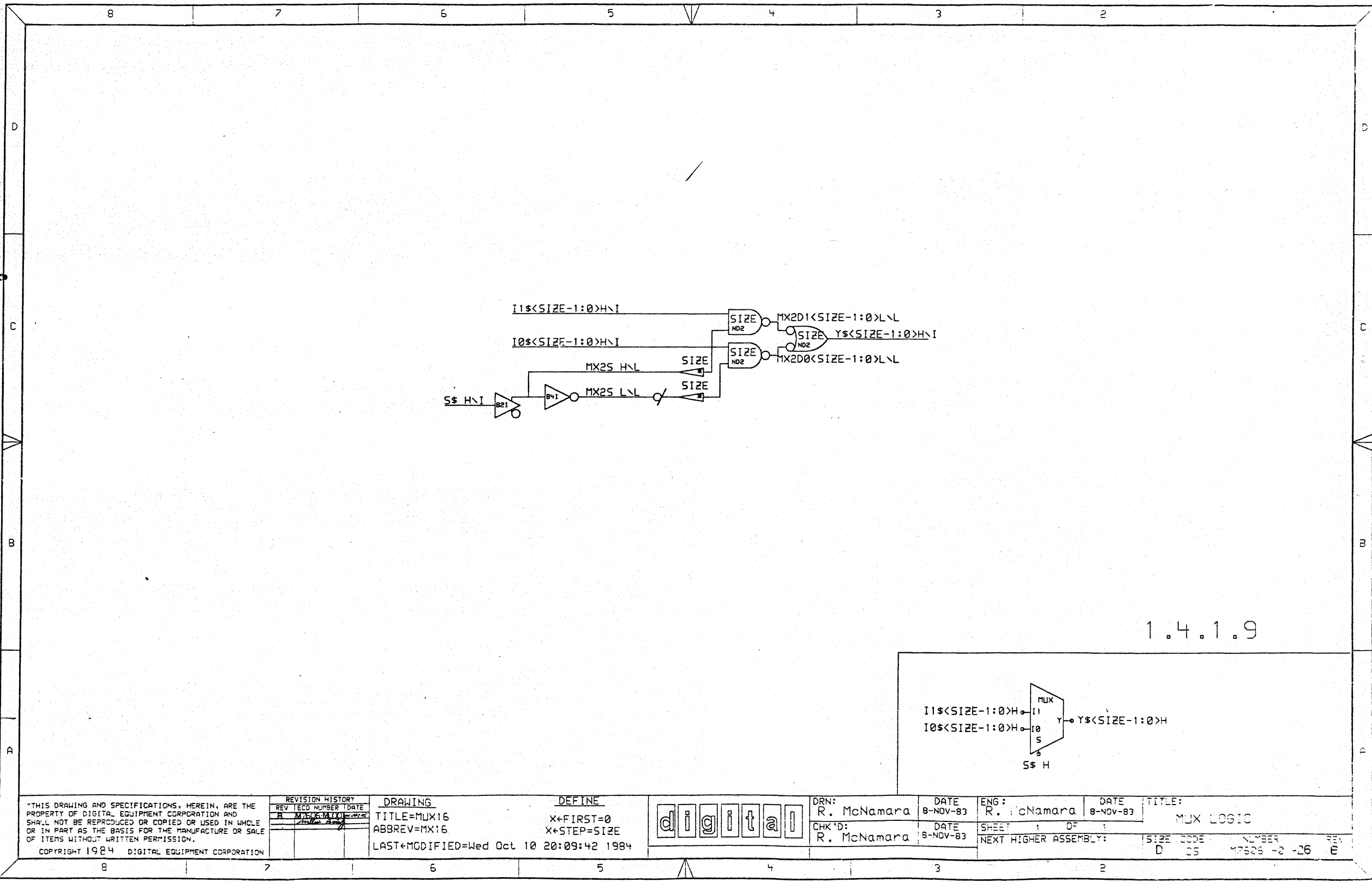
DEFINE
 X*FIRST=0
 X*STEP=SIZE
 digital

DRN:
 R. McNamara
 CHK'D:
 R. McNamara

DATE	11-NOV-83	ENG:	R. McNamara	DATE	11-NOV-83
SHEET	1	OF	1	NEXT HIGHER ASSEMBLY:	

TITLE:
 BIDIRECT BUFFER

SIZE	CODE	NUMBER	REV
D	CS	17526 -0 -25	3



*THIS DRAWING AND SPECIFICATIONS, HEREIN, ARE THE PROPERTY OF DIGITAL EQUIPMENT CORPORATION AND SHALL NOT BE REPRODUCED OR COPIED OR USED IN WHOLE OR IN PART AS THE BASIS FOR THE MANUFACTURE OR SALE OF ITEMS WITHOUT WRITTEN PERMISSION.
 COPYRIGHT 1984 DIGITAL EQUIPMENT CORPORATION

REVISION HISTORY		
REV	ECO NUMBER	DATE
B	M7525-2-26	11/83

DRAWING
 TITLE=MUX16
 ABBREV=MX16
 LAST*MODIFIED=Wed Oct 10 20:09:42 1984

DEFINE
 X*FIRST=0
 X*STEP=SIZE

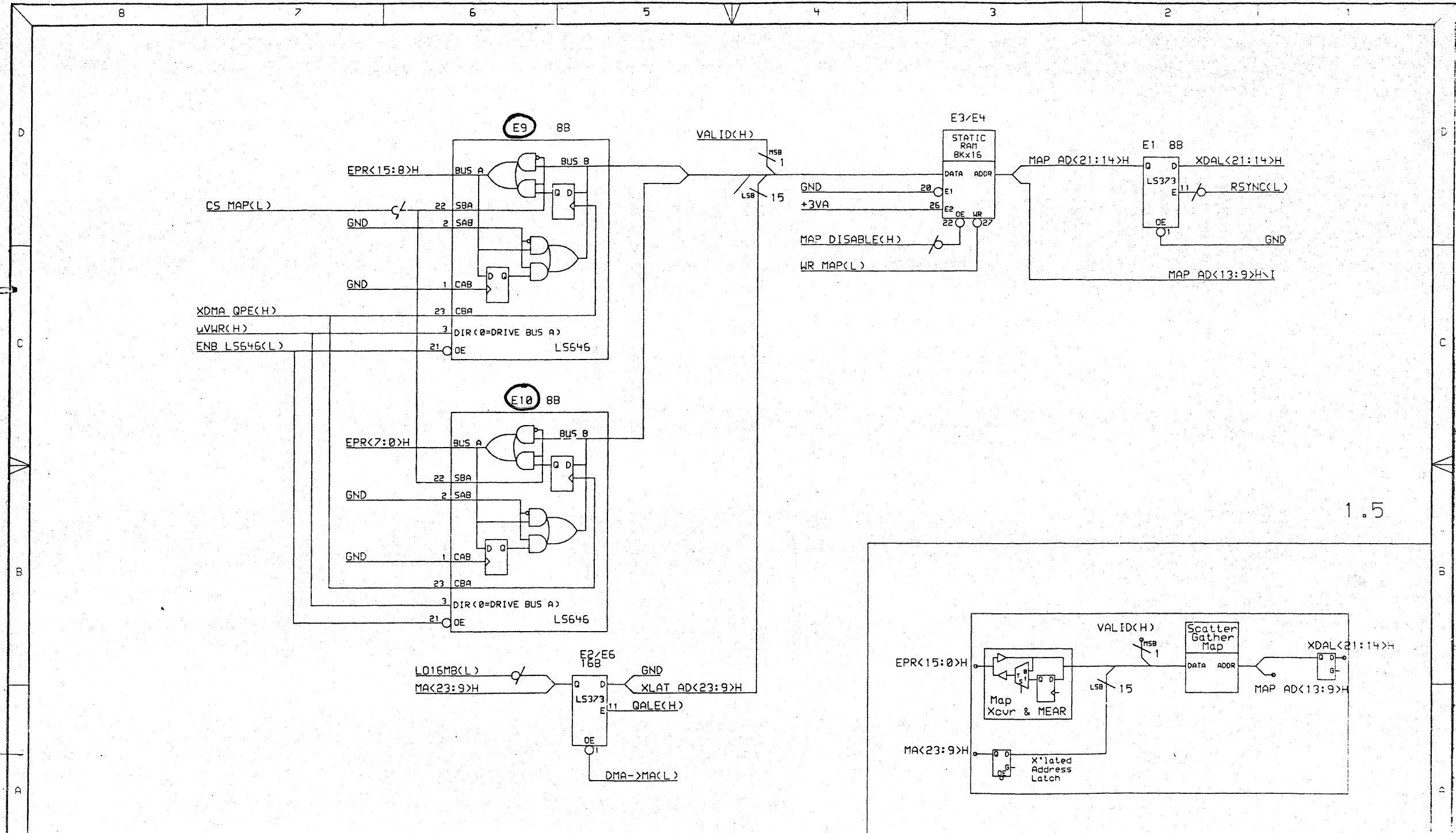


DRN: R. McNamara	DATE 8-NOV-83	ENG: R. McNamara	DATE 8-NOV-83	TITLE: MUX LOGIC
CHK'D: R. McNamara	DATE 8-NOV-83	SHEET 1 OF 1	NEXT HIGHER ASSEMBLY:	SIZE CODE D 05

NUMBER M7525-2-26	REV E
----------------------	----------

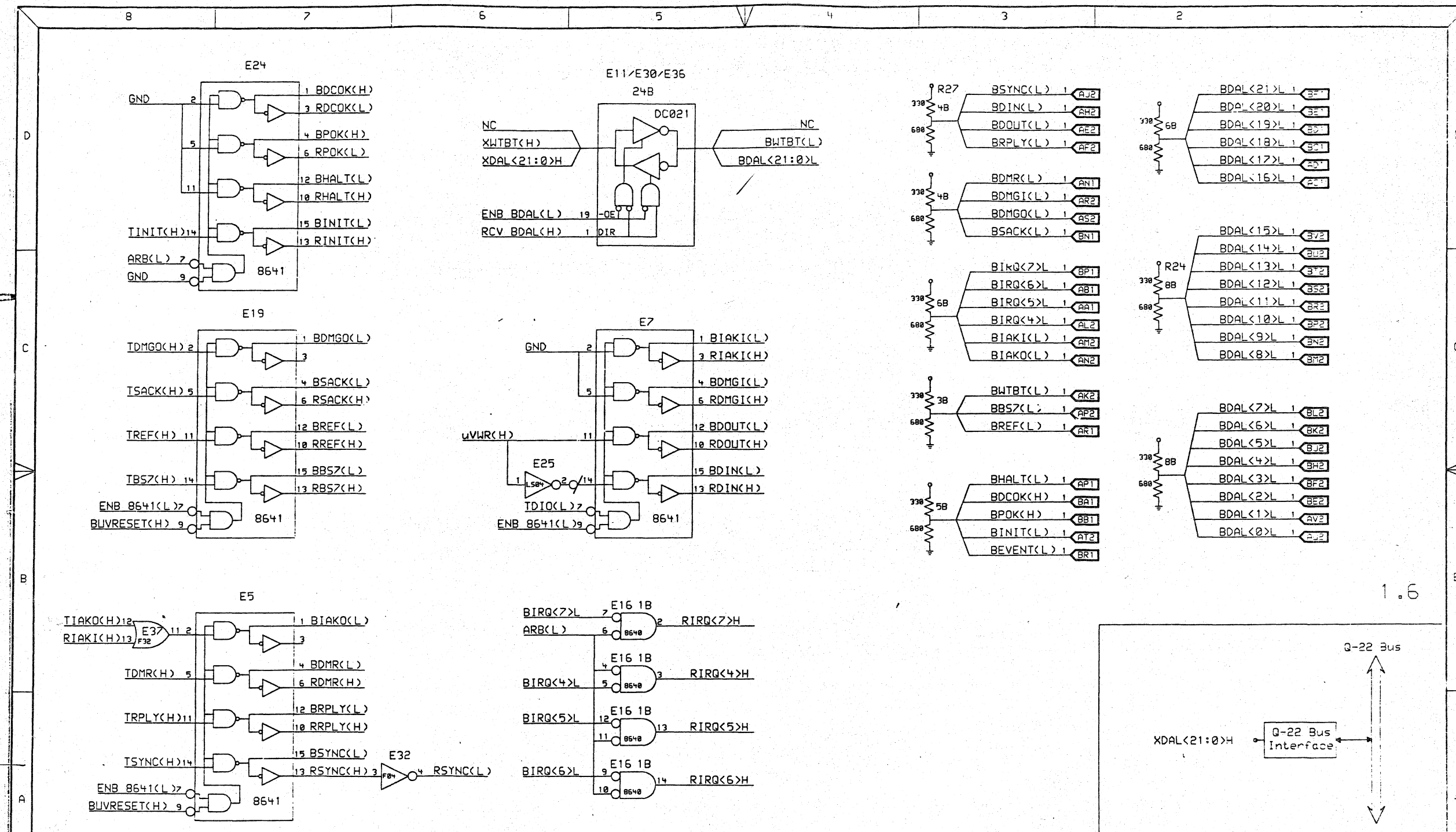
Fault: Self-Test stops @ "C".

Action: Repl. E9, E10. Pins 22 & 23 were held @ 0.4 v.



1.5

*THIS DRAWING AND SPECIFICATIONS, HEREIN, ARE THE PROPERTY OF DIGITAL EQUIPMENT CORPORATION AND SHALL NOT BE REPRODUCED OR COPIED OR USED IN WHOLE OR IN PART AS THE BASIS FOR THE MANUFACTURE OR SALE OF ITEMS WITHOUT WRITTEN PERMISSION. COPYRIGHT 1984 DIGITAL EQUIPMENT CORPORATION	REVISION HISTORY REV 1 ECO NUMBER DATE 3 M7605-2-27	DRAWING TITLE=MAP GROUP ABBREV=MAP CIRCUIT+TYPE=TRANS+MAP LAST+MODIFIED=Sun Oct 7 18:33:49 1984	DEFINE X+FIRST=0 X+STEP=SIZE	digital	DRN: R. McNamara DATE 3-OCT-84	ENG: R. McNamara DATE 3-OCT-84	TITLE: Translation Map Group
	CHECKED: R. McNamara DATE 3-OCT-84	SHEET 1 OF 1 NEXT HIGHER ASSEMBLY:	SIZE CODE D CS	NUMBER M7605-2-27	REV 3		



1.6

THIS DRAWING AND SPECIFICATIONS, HEREIN, ARE THE PROPERTY OF DIGITAL EQUIPMENT CORPORATION AND SHALL NOT BE REPRODUCED OR COPIED OR USED IN WHOLE OR IN PART AS THE BASIS FOR THE MANUFACTURE OR SALE OF ITEMS WITHOUT WRITTEN PERMISSION.
 COPYRIGHT 1984 DIGITAL EQUIPMENT CORPORATION

REVISION HISTORY		
REV	ECO NUMBER	DATE
B	M2000101	11-27-83

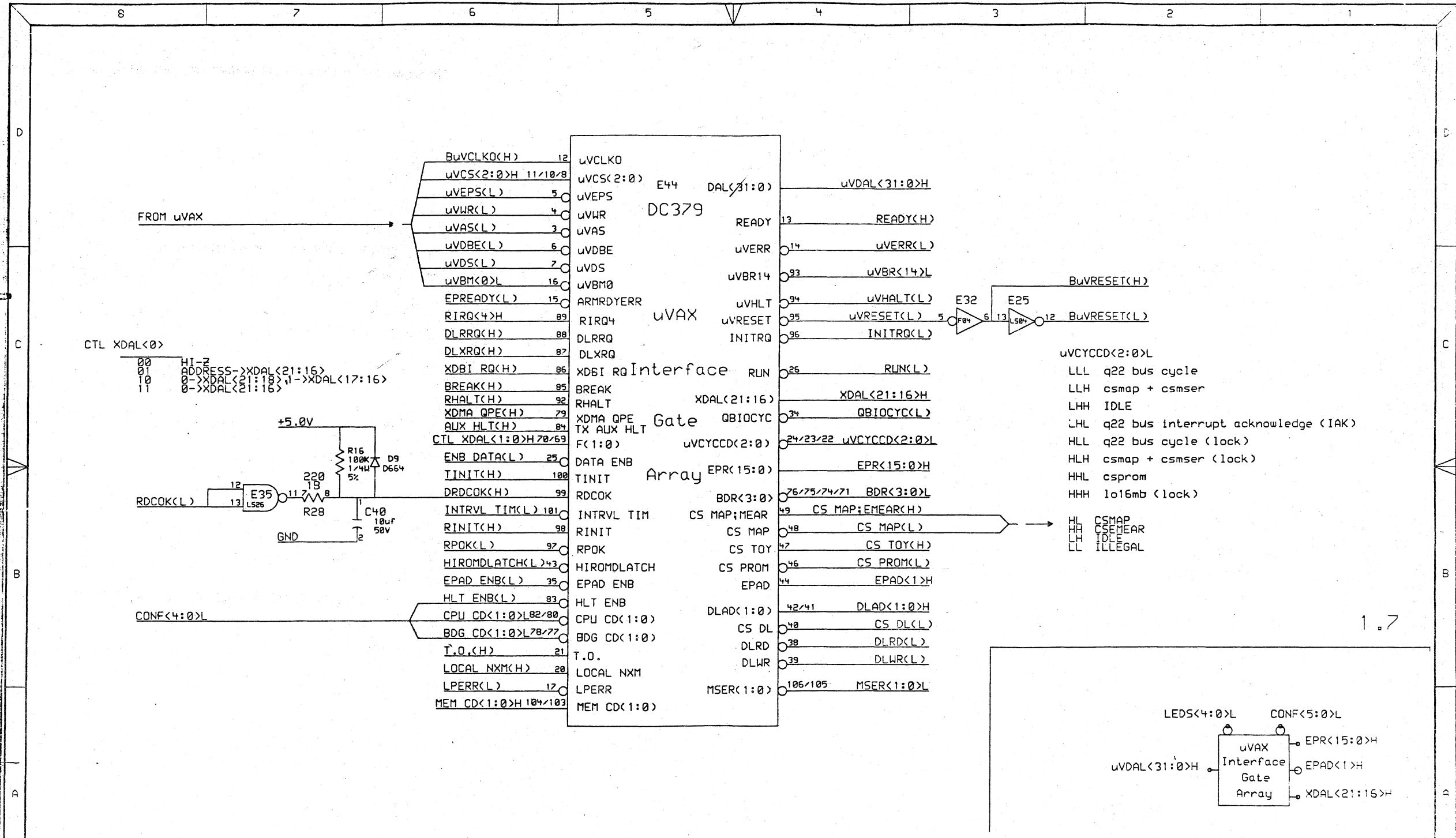
DRAWING
 TITLE=QBUS
 ABBREV=QBUS
 CIRCUIT+TYPE=QBUS+INTERFACE
 LAST+MODIFIED=Fri Oct 12 14:31:20 1984

DEFINE
 X+FIRST=0
 X+STEP=SIZE
digital

DRN:
 R. McNamara
 CHK'D:
 R. McNamara

DATE
 3-OCT-84
 DATE
 3-OCT-84
 SHEET OF

ENG:
 R. McNamara
 TITLE:
 KA630 QBUS INTERFACE
 NEXT HIGHER ASSEMBLY:
 SIZE CODE NUMBER REV
 D CS M7605 -0 -28 5



"THIS DRAWING AND SPECIFICATIONS, HEREIN, ARE THE PROPERTY OF DIGITAL EQUIPMENT CORPORATION AND SHALL NOT BE REPRODUCED OR COPIED OR USED IN WHOLE OR IN PART AS THE BASIS FOR THE MANUFACTURE OR SALE OF ITEMS WITHOUT WRITTEN PERMISSION.
 COPYRIGHT 1984 DIGITAL EQUIPMENT CORPORATION

REVISION HISTORY		
REV	ISSUED NUMBER	DATE
1	M7525-3	3-OCT-84

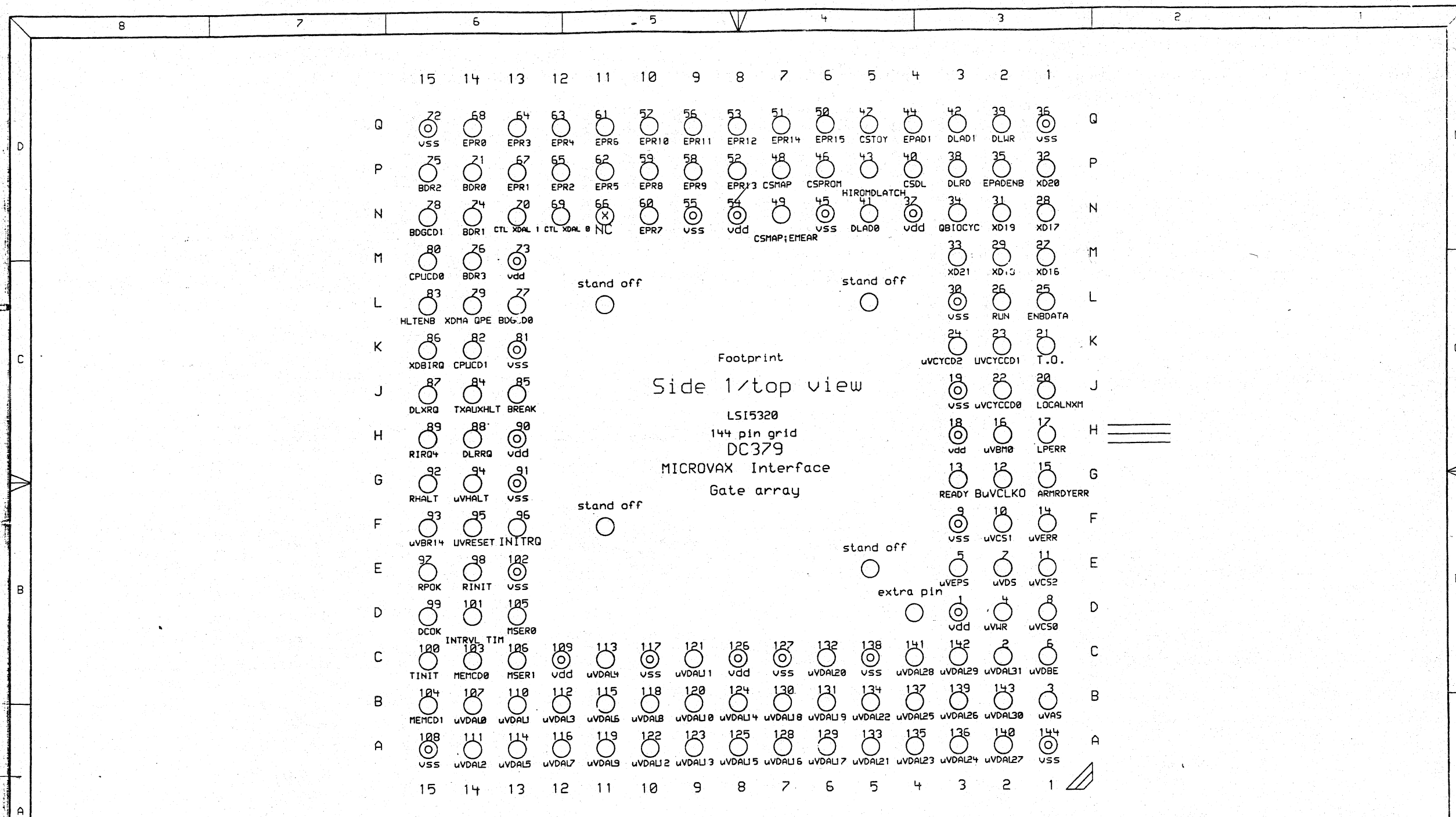
DRAWING
 TITLE=GATOR1
 ABBREV=GATOR1
 CIRCUIT+TYPE=GATE+ARRAY
 LAST+MODIFIED=Mon Oct 29 09:35:21 1984

DEFINE
 X*FIRST=0
 X*STEP=SIZE



DRN: BARRY MASKAS	DATE 3-OCT-84	ENG: BARRY MASKAS	DATE 3-OCT-84	TITLE: uVAX Interface Gate Array
CHK'D: BARRY MASKAS	DATE 3-OCT-84	SHEET 1 OF 1	NEXT HIGHER ASSEMBLY:	SIZE D

NUMBER M7525-3	REV -29	3
-------------------	------------	---



Footprint
 Side 1/top view
 LSI5320
 144 pin grid
 DC379
 MICROVAX Interface
 Gate array

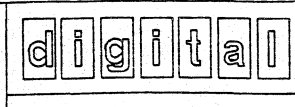
1.7.1

"THIS DRAWING AND SPECIFICATIONS, HEREIN, ARE THE PROPERTY OF DIGITAL EQUIPMENT CORPORATION AND SHALL NOT BE REPRODUCED OR COPIED OR USED IN WHOLE OR IN PART AS THE BASIS FOR THE MANUFACTURE OR SALE OF ITEMS WITHOUT WRITTEN PERMISSION.
 COPYRIGHT 1984 DIGITAL EQUIPMENT CORPORATION

REV	ECO NUMBER	DATE
1		

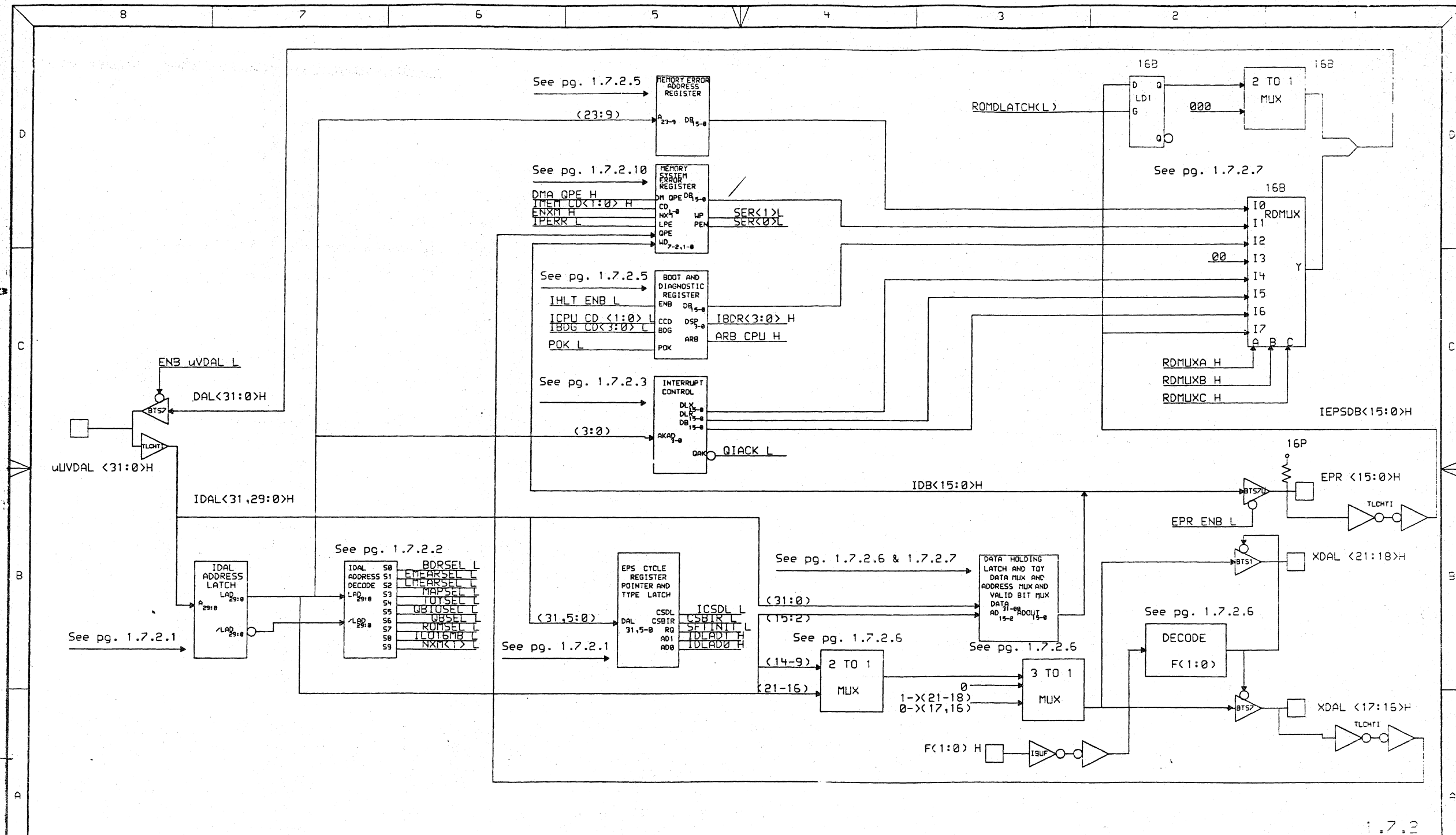
DRAWING
 TITLE=galpads
 LAST*MODIFIED=Mon Oct. 29 11:47:47 1984

DEFINE
 X*FIRST=0
 X*STEP=SIZE

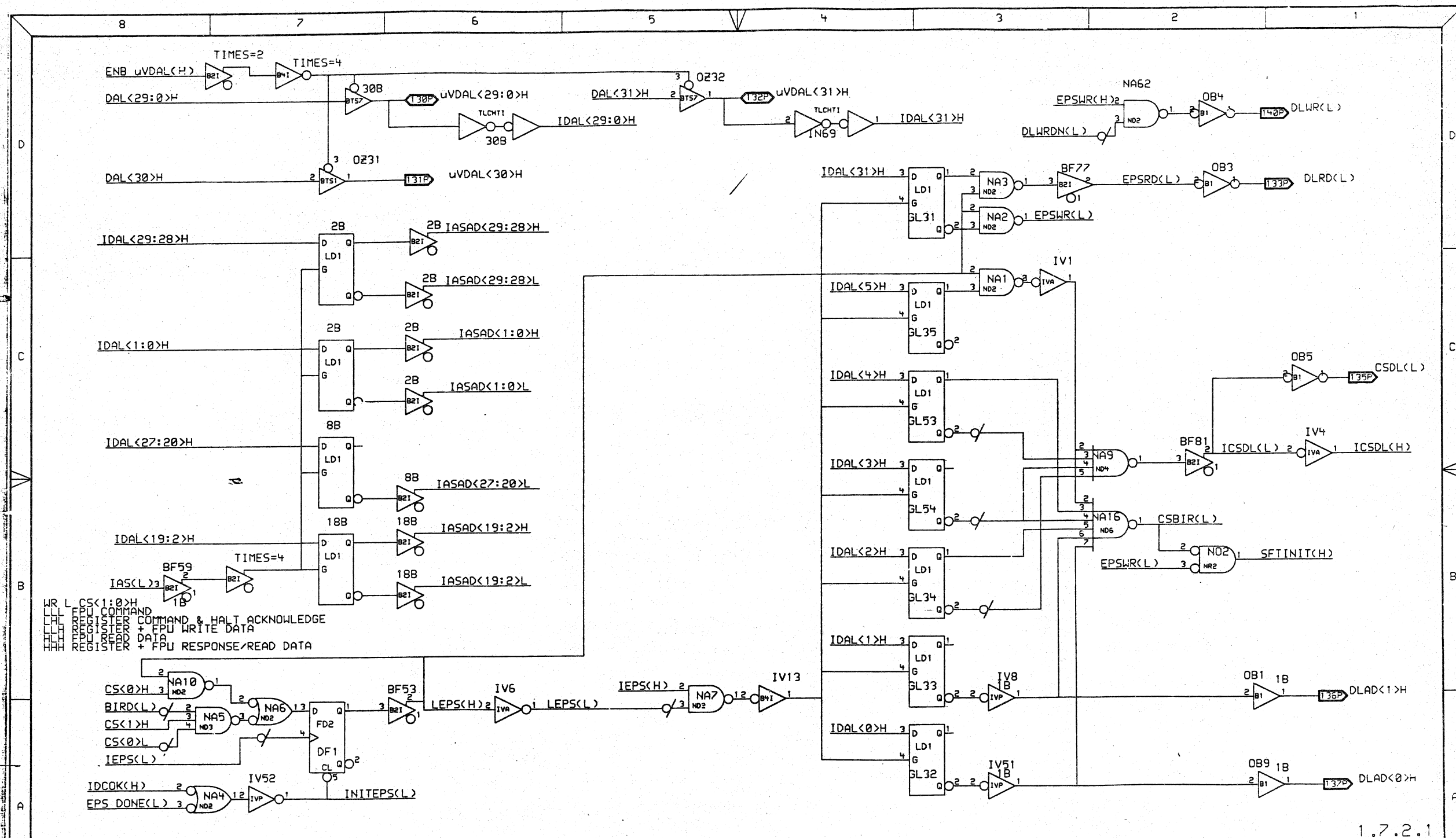


DRN: BARRY MASKAS	DATE	ENG: BARRY MASKAS	DATE 15-DEC-83
CHK'D: BARRY MASKAS	DATE	SHEET 1 OF 1	TITLE: DC379 PAD ASSIGNMENT TOP VIEW LL5320 IN 144 PIN GRID ARRAY
NEXT HIGHER ASSEMBLY:		SIZE D	CODE CS

NUMBER M7506 -0 -30	REV B
------------------------	----------



<p>THIS DRAWING AND SPECIFICATIONS, HEREIN, ARE THE PROPERTY OF DIGITAL EQUIPMENT CORPORATION AND SHALL NOT BE REPRODUCED OR COPIED OR USED IN WHOLE OR IN PART AS THE BASIS FOR THE MANUFACTURE OR SALE OF ITEMS WITHOUT WRITTEN PERMISSION.</p> <p>COPYRIGHT 1984 DIGITAL EQUIPMENT CORPORATION</p>	<p>REVISION HISTORY</p> <table border="1"> <tr> <th>REV</th> <th>ECO NUMBER</th> <th>DATE</th> </tr> <tr> <td>1</td> <td>17505</td> <td>10/20/84</td> </tr> </table>	REV	ECO NUMBER	DATE	1	17505	10/20/84	<p><u>DRAWING</u></p> <p>TITLE=GA1BLOCK ABBREV=GA1BLOCK CIRCUIT+TYPE=GATE+ARRAY LAST+MODIFIED=Sun Oct 7 20:17:53 1984</p>		<p>DRN: BARRY MASKAS DATE 15-DEC-83 ENG: BARRY MASKAS DATE 15-DEC-83</p> <p>CHK'D: BARRY MASKAS DATE 15-DEC-83 SHEET 1 OF 1</p> <p>NEXT HIGHER ASSEMBLY:</p>	<p>TITLE: uVAX Interface Gate Array Data Path</p> <table border="1"> <tr> <th>SIZE</th> <th>CODE</th> <th>NUMBER</th> <th>REV</th> </tr> <tr> <td>D</td> <td>CS</td> <td>M7506 -2 -71</td> <td>3</td> </tr> </table>	SIZE	CODE	NUMBER	REV	D	CS	M7506 -2 -71	3
REV	ECO NUMBER	DATE																	
1	17505	10/20/84																	
SIZE	CODE	NUMBER	REV																
D	CS	M7506 -2 -71	3																



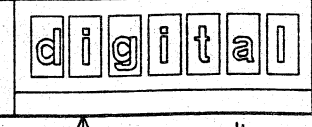
1.7.2.1

*THIS DRAWING AND SPECIFICATIONS, HEREIN, ARE THE PROPERTY OF DIGITAL EQUIPMENT CORPORATION AND SHALL NOT BE REPRODUCED OR COPIED OR USED IN WHOLE OR IN PART AS THE BASIS FOR THE MANUFACTURE OR SALE OF ITEMS WITHOUT WRITTEN PERMISSION.
 COPYRIGHT 1984 DIGITAL EQUIPMENT CORPORATION

REVISION HISTORY		
REV	ECO NUMBER	DATE
1		19-DEC-83

DRAWING
 TITLE=GA1
 ABBREV=GA1
 CIRCUIT+TYPE=GATE+ARRAY
 LAST+MODIFIED=Sun Oct 7 20:20:28 1984

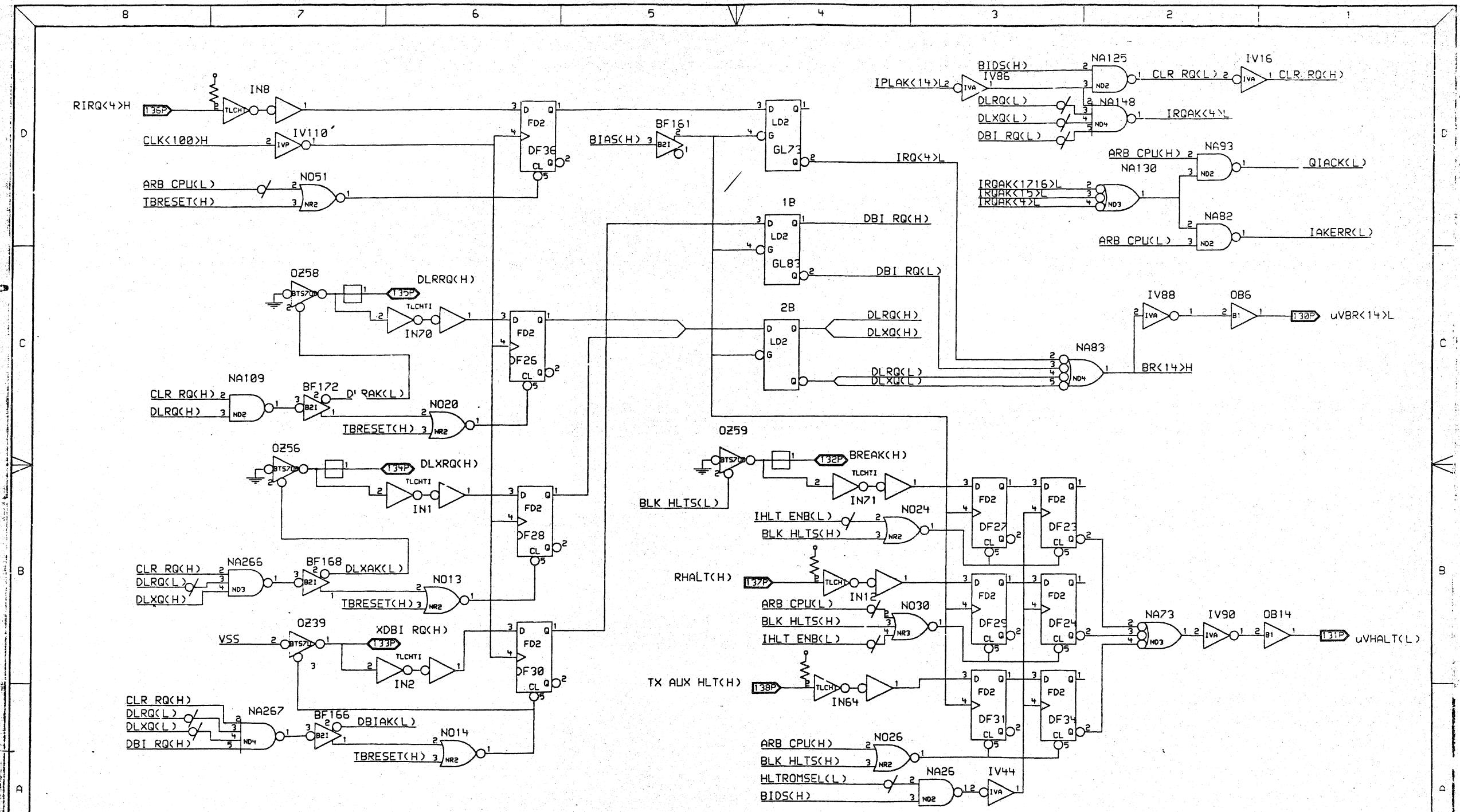
DEFINE
 X*FIRST=0
 X*STEP=SIZE



DRN: BARRY MASKAS
 DATE: 19-DEC-83
 CHK'D: BARRY MASKAS
 DATE: 19-DEC-83

ENG: BARRY MASKAS
 DATE: 19-DEC-83
 SHEET 1 OF 1
 NEXT HIGHER ASSEMBLY:

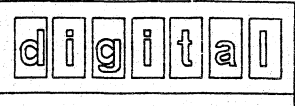
TITLE:			
SIZE	CODE	NUMBER	REV
D	CS	M7626 -0 -32	H



1.7.2.3

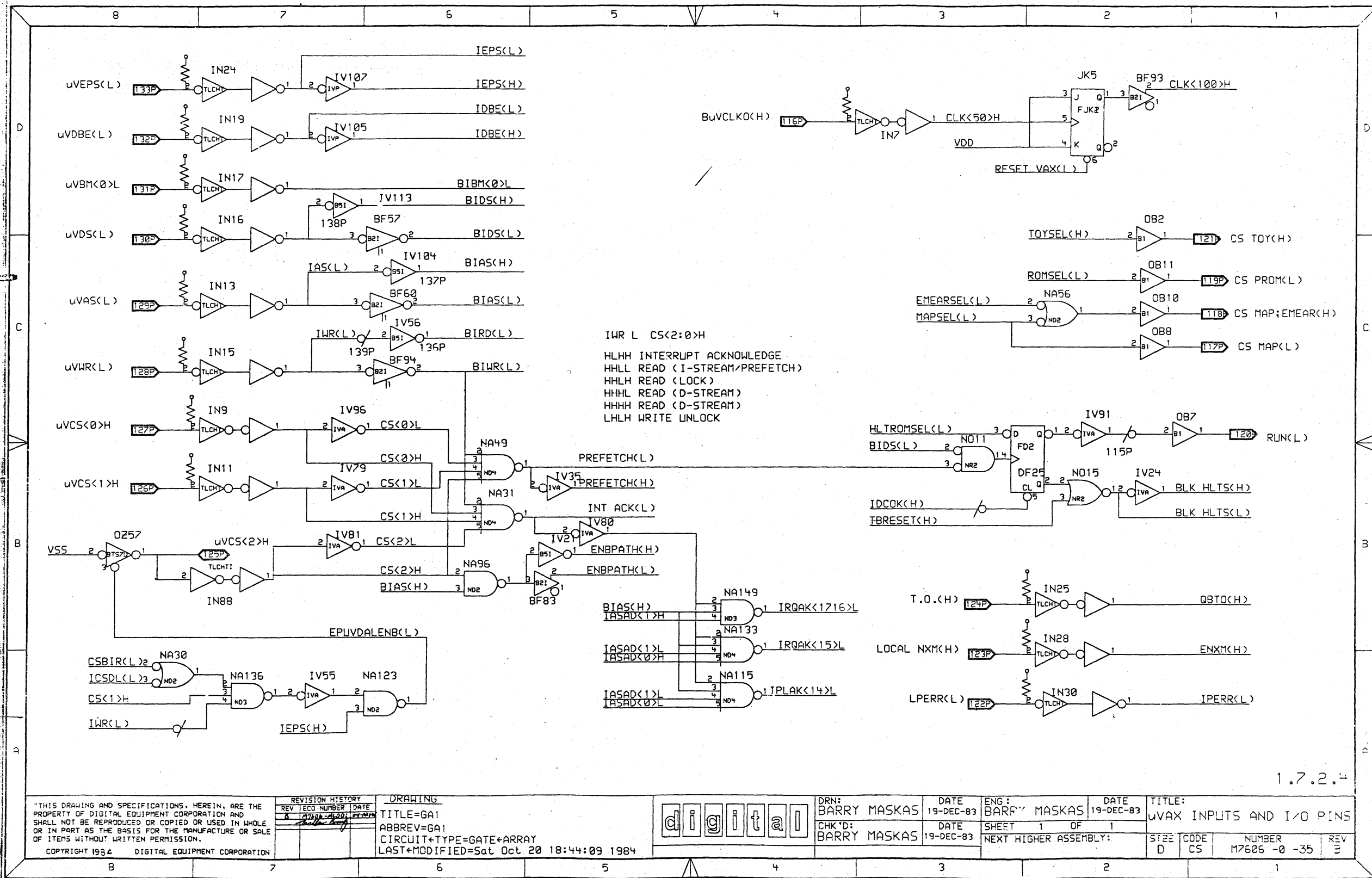
*THIS DRAWING AND SPECIFICATIONS, HEREIN, ARE THE PROPERTY OF DIGITAL EQUIPMENT CORPORATION AND SHALL NOT BE REPRODUCED OR COPIED OR USED IN WHOLE OR IN PART AS THE BASIS FOR THE MANUFACTURE OR SALE OF ITEMS WITHOUT WRITTEN PERMISSION.
 COPYRIGHT 1984 DIGITAL EQUIPMENT CORPORATION

REVISION HISTORY			DRAWING	
REV	ECO NUMBER	DATE	TITLE	ABBREV
1			TITLE=GA1	ABBREV=GA1
CIRCUIT+TYPE=GATE+ARRAY				
LAST+MODIFIED=Sun Oct 7 16:40:03 1984				



DRN:	BARRY MASKAS	DATE:	18-DEC-83	ENG:	BARRY MASKAS	DATE:	18-DEC-83	TITLE:	EXCEPTIONS AND INTERRUPTS
CHK'D:	BARRY MASKAS	DATE:	18-DEC-83	SHEET:	1 OF 1	NEXT HIGHER ASSEMBLY:			

SIZE	CODE	NUMBER	REV
D	CS	M7505 -0 -34	1



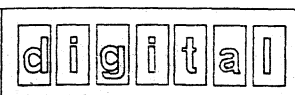
IWR L CS<2>0>H
 HLHH INTERRUPT ACKNOWLEDGE
 HHLH READ (I-STREAM/PREFETCH)
 HHLH READ (LOCK)
 HHLH READ (D-STREAM)
 HHHH READ (D-STREAM)
 LHLH WRITE UNLOCK

1.7.2.4

"THIS DRAWING AND SPECIFICATIONS, HEREIN, ARE THE PROPERTY OF DIGITAL EQUIPMENT CORPORATION AND SHALL NOT BE REPRODUCED OR COPIED OR USED IN WHOLE OR IN PART AS THE BASIS FOR THE MANUFACTURE OR SALE OF ITEMS WITHOUT WRITTEN PERMISSION."
 COPYRIGHT 1984 DIGITAL EQUIPMENT CORPORATION

REV	ECO NUMBER	DATE
8		10/20/84

DRAWING
 TITLE=GA1
 ABBREV=GA1
 CIRCUIT+TYPE=GATE+ARRAY
 LAST+MODIFIED=Sat Oct 20 18:44:09 1984



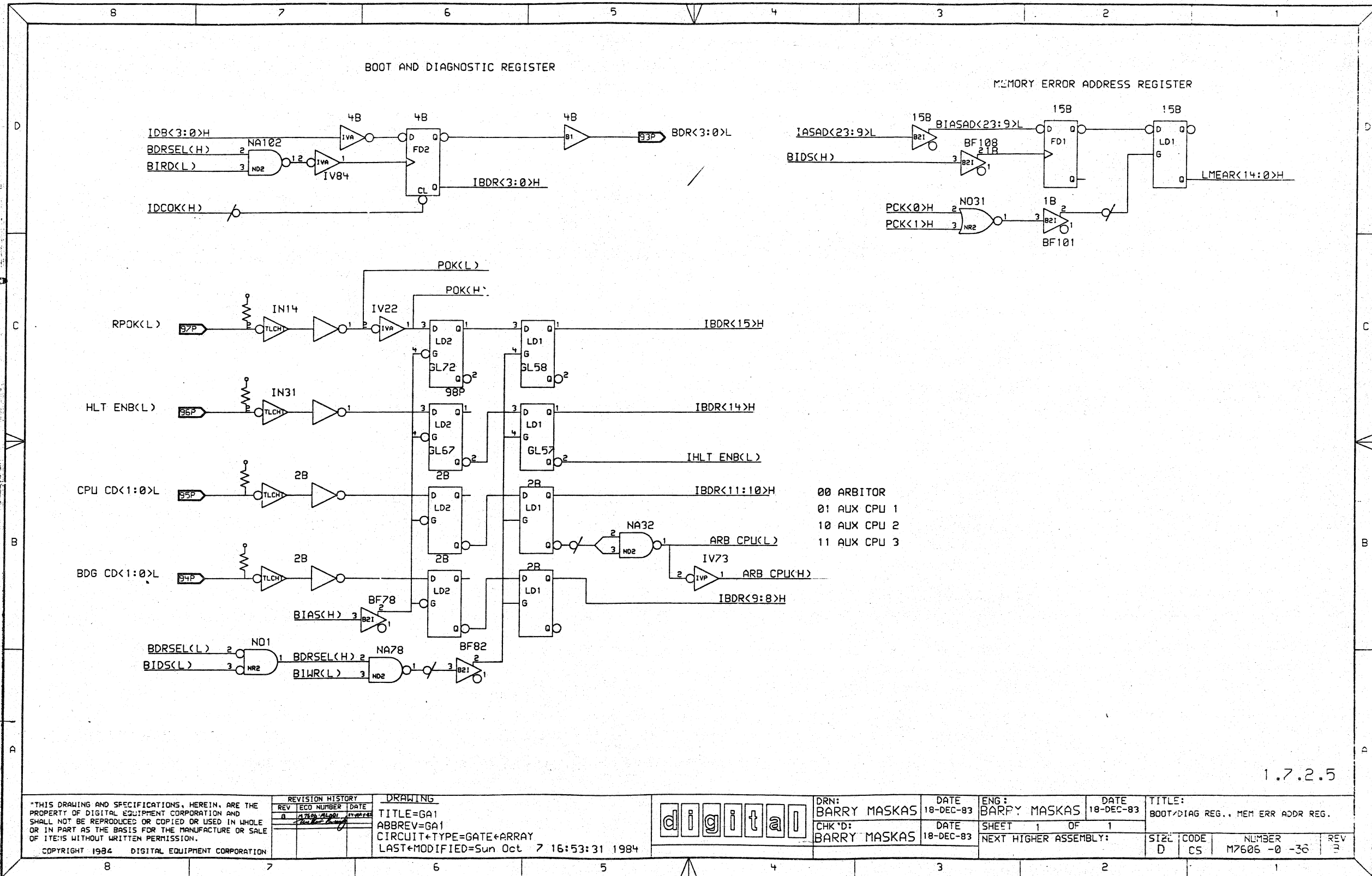
DRN:
 BARRY MASKAS
 CHK'D:
 BARRY MASKAS

DATE
 19-DEC-83

ENG:
 BARRY MASKAS
 SHEET 1 OF 1
 NEXT HIGHER ASSEMBLY:

DATE
 19-DEC-83
 TITLE:
 UVAX INPUTS AND I/O PINS

SIZE	CODE	NUMBER	REV
D	CS	M7606-0-35	3



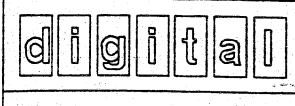
- 00 ARBITOR
- 01 AUX CPU 1
- 10 AUX CPU 2
- 11 AUX CPU 3

1.7.2.5

"THIS DRAWING AND SPECIFICATIONS, HEREIN, ARE THE PROPERTY OF DIGITAL EQUIPMENT CORPORATION AND SHALL NOT BE REPRODUCED OR COPIED OR USED IN WHOLE OR IN PART AS THE BASIS FOR THE MANUFACTURE OR SALE OF ITEMS WITHOUT WRITTEN PERMISSION.
 COPYRIGHT 1984 DIGITAL EQUIPMENT CORPORATION

REV	ECO NUMBER	DATE
A	1760-AL001	11-22-83

DRAWING
 TITLE=GA1
 ABBREV=GA1
 CIRCUIT+TYPE=GATE+ARRAY
 LAST+MODIFIED=Sun Oct 7 16:53:31 1984

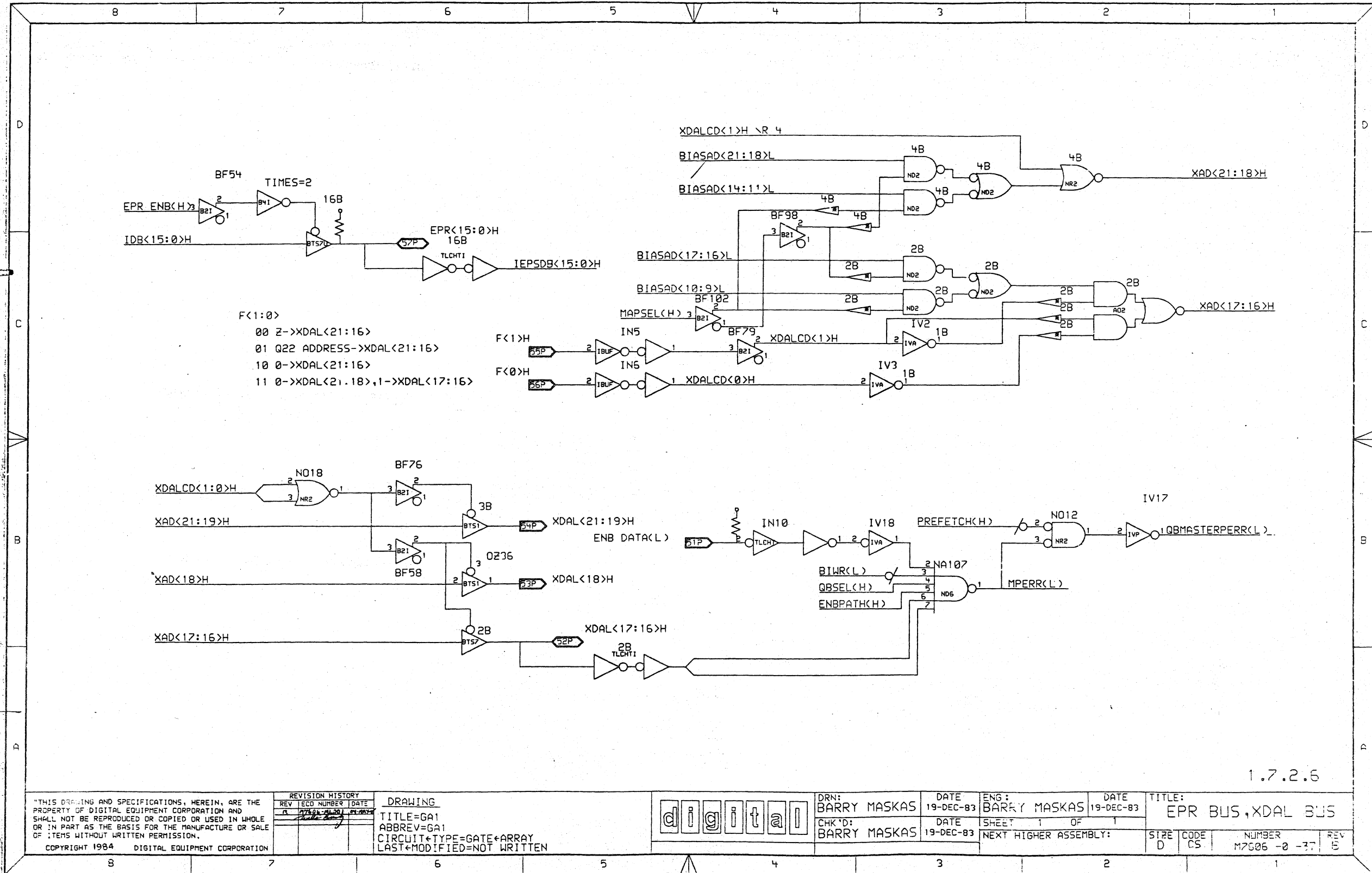


DRN:
BARRY MASKAS
 CHK'D:
BARRY MASKAS

DATE
18-DEC-83
 DATE
18-DEC-83

ENG:
BARRY MASKAS
 SHEET 1 OF 1
 NEXT HIGHER ASSEMBLY:

TITLE:
BOOT/DIAG REG., MEM ERR ADDR REG.
 SIZE CODE NUMBER REV
 D CS M7606 -0 -36 3



F<1:0>

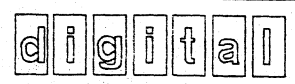
00	Z->XDAL<21:16>
01	Q22 ADDRESS->XDAL<21:16>
10	0->XDAL<21:16>
11	0->XDAL<21:18>,1->XDAL<17:16>

1.7.2.6

"THIS DRAWING AND SPECIFICATIONS, HEREIN, ARE THE PROPERTY OF DIGITAL EQUIPMENT CORPORATION AND SHALL NOT BE REPRODUCED OR COPIED OR USED IN WHOLE OR IN PART AS THE BASIS FOR THE MANUFACTURE OR SALE OF ITEMS WITHOUT WRITTEN PERMISSION.
COPYRIGHT 1984 DIGITAL EQUIPMENT CORPORATION

REVISION HISTORY		
REV	ECO NUMBER	DATE
1	1750-0-37	19-DEC-83

DRAWING
 TITLE=GA1
 ABBREV=GA1
 CIRCUIT TYPE=GATE ARRAY
 LAST MODIFIED=NOT WRITTEN



DRN:
BARRY MASKAS

DATE
19-DEC-83

ENG:
BARRY MASKAS

DATE
19-DEC-83

TITLE:
EPR BUS, XDAL BUS

SHEET 1 OF 1

NUMBER
M7506-0-37

REV
E

8

7

6

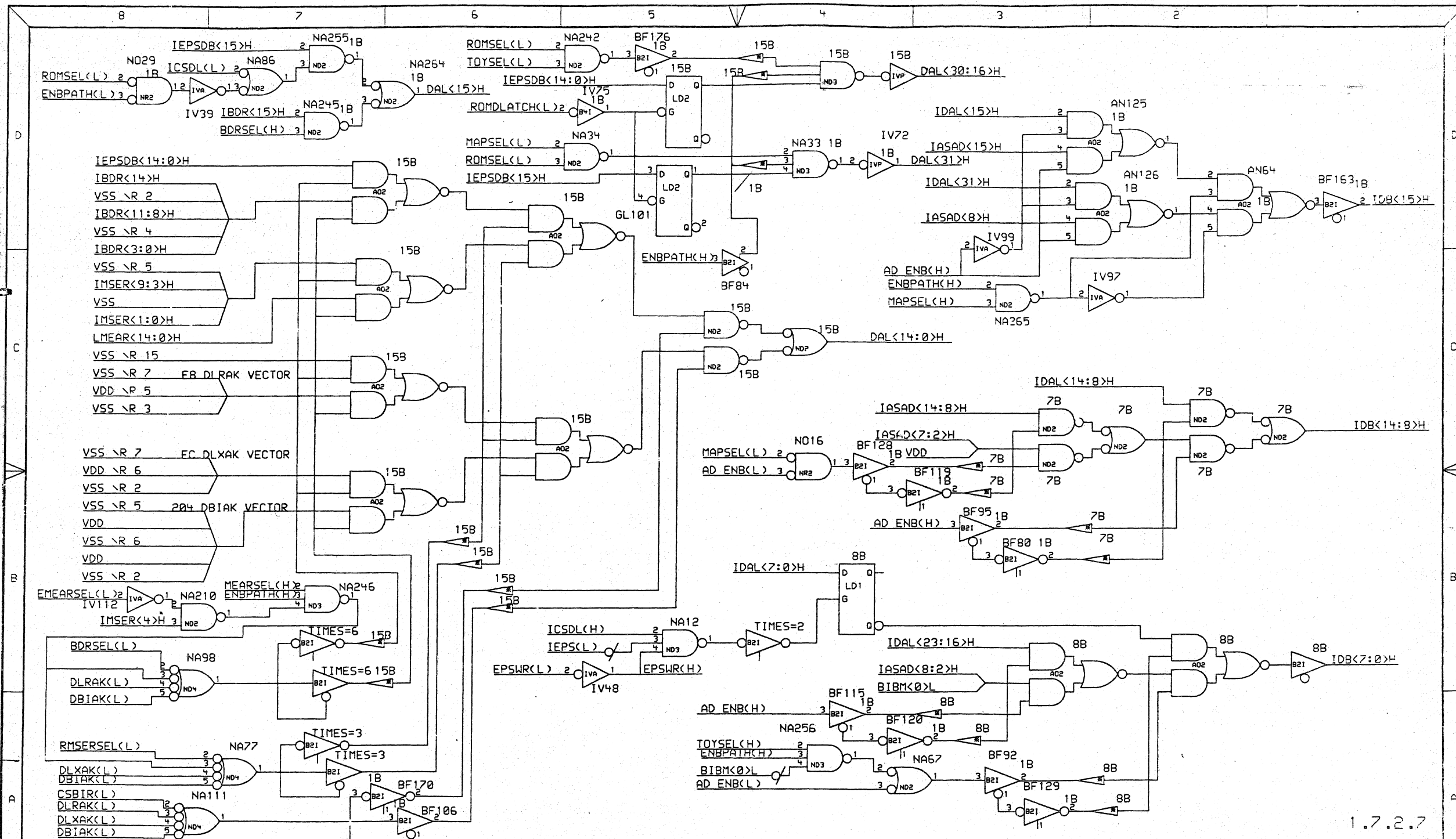
5

4

3

2

1

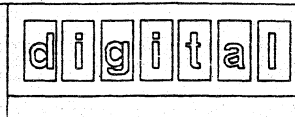


1.7.2.7

"THIS DRAWING AND SPECIFICATIONS, HEREIN, ARE THE PROPERTY OF DIGITAL EQUIPMENT CORPORATION AND SHALL NOT BE REPRODUCED OR COPIED OR USED IN WHOLE OR IN PART AS THE BASIS FOR THE MANUFACTURE OR SALE OF ITEMS WITHOUT WRITTEN PERMISSION.
 COPYRIGHT 1984 DIGITAL EQUIPMENT CORPORATION

REV	ECO NUMBER	DATE
1		1984-10-17

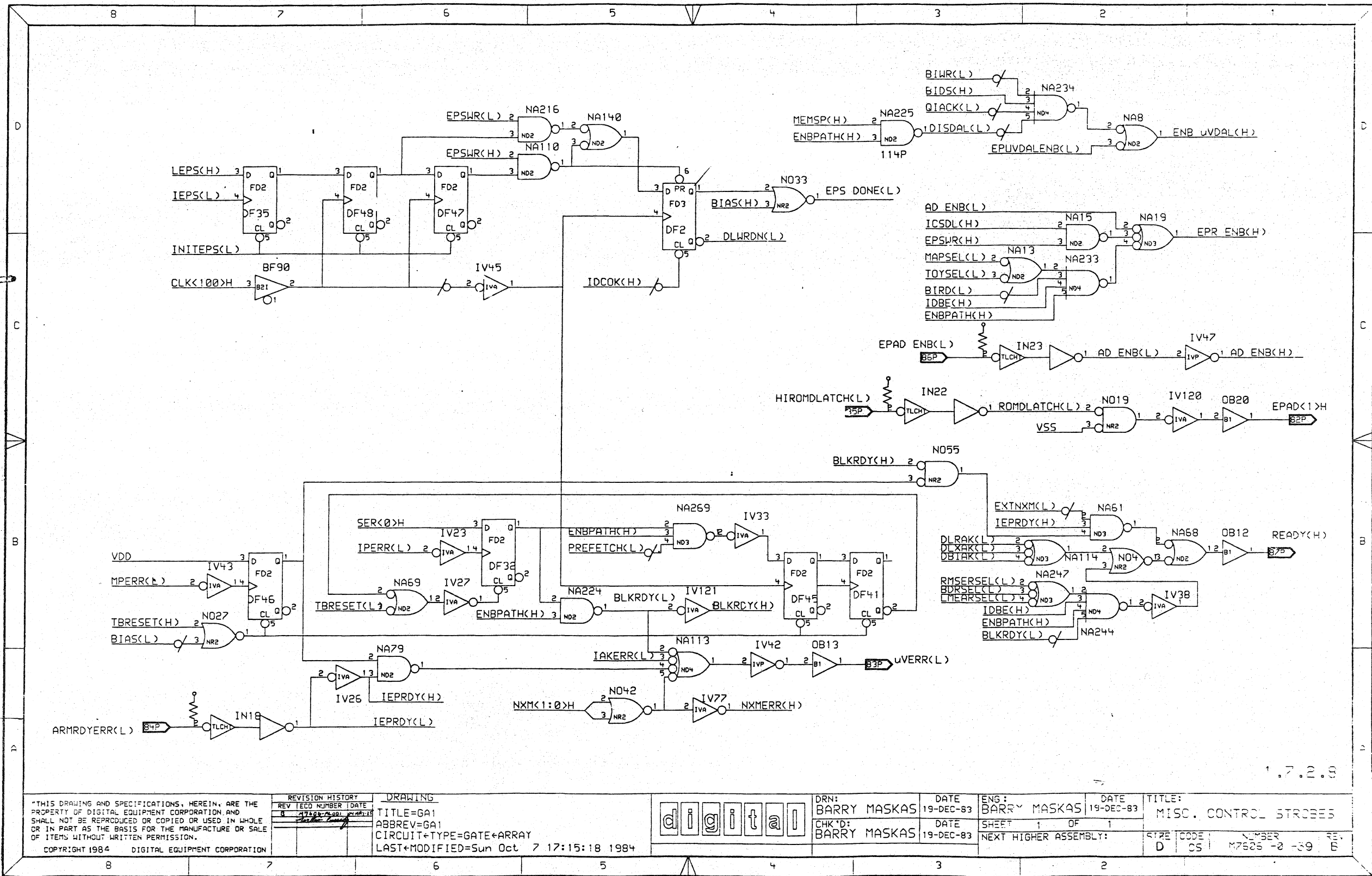
DRAWING
 TITLE=GA1
 ABBREV=GA1
 CIRCUIT+TYPE=GATE+ARRAY
 LAST+MODIFIED=Sun Oct 7 17:11:37 1984



DRN: BARRY MASKAS
 CHK'D: BARRY MASKAS

DATE: 19-DEC-83
 DATE: 19-DEC-83

ENG: BARRI MASKAS
 SHEET: 1 OF 1
 TITLE: INTERNAL DATA BUSES
 SIZE: D CODE: CS NUMBER: M7605-0-38 REV: B



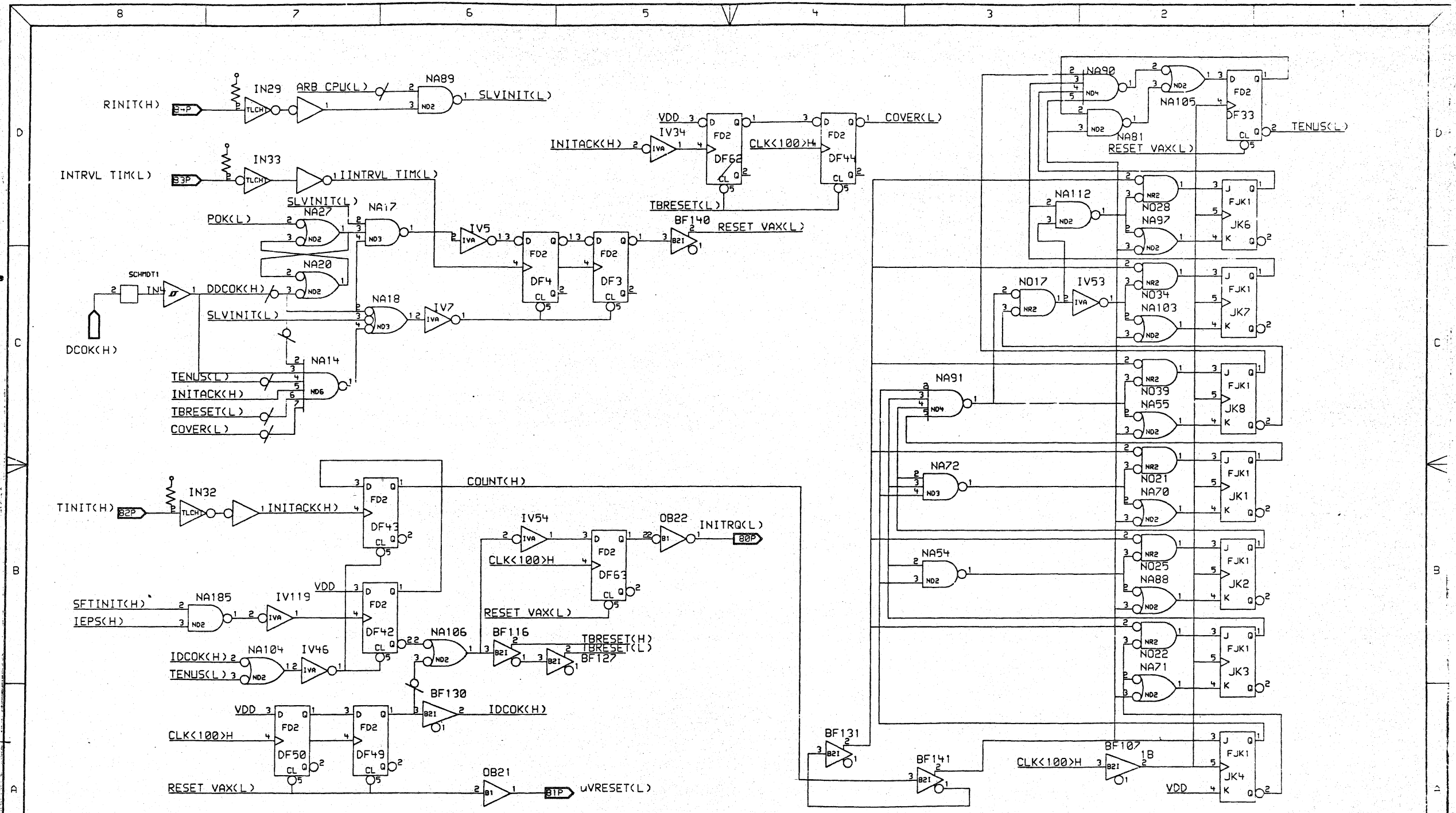
*THIS DRAWING AND SPECIFICATIONS, HEREIN, ARE THE PROPERTY OF DIGITAL EQUIPMENT CORPORATION AND SHALL NOT BE REPRODUCED OR COPIED OR USED IN WHOLE OR IN PART AS THE BASIS FOR THE MANUFACTURE OR SALE OF ITEMS WITHOUT WRITTEN PERMISSION.
 COPYRIGHT 1984 DIGITAL EQUIPMENT CORPORATION

REVISION HISTORY		DRAWING	
REV	EGO NUMBER	DATE	TITLE
1			TITLE=GA1
2			ABBREV=GA1
3			CIRCUIT+TYPE=GATE+ARRAY
4			LAST+MODIFIED=Sun Oct 7 17:15:18 1984

digital

DRN:	BARRY MASKAS	DATE:	19-DEC-83	ENG:	BARRY MASKAS	DATE:	19-DEC-83	TITLE:	MISC. CONTROL STROBES
CHK'D:	BARRY MASKAS	DATE:	19-DEC-83	SHEET:	1 OF 1	NEXT HIGHER ASSEMBLY:		STR CODE:	D OS

NUMBER	7525-0-39	REV.	E
--------	-----------	------	---

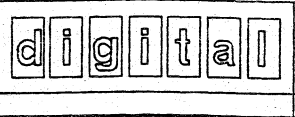


1.7.2.9

"THIS DRAWING AND SPECIFICATIONS, HEREIN, ARE THE PROPERTY OF DIGITAL EQUIPMENT CORPORATION AND SHALL NOT BE REPRODUCED OR COPIED OR USED IN WHOLE OR IN PART AS THE BASIS FOR THE MANUFACTURE OR SALE OF ITEMS WITHOUT WRITTEN PERMISSION.
 COPYRIGHT 1984 DIGITAL EQUIPMENT CORPORATION

REV	ECO NUMBER	DATE
1		19-DEC-83

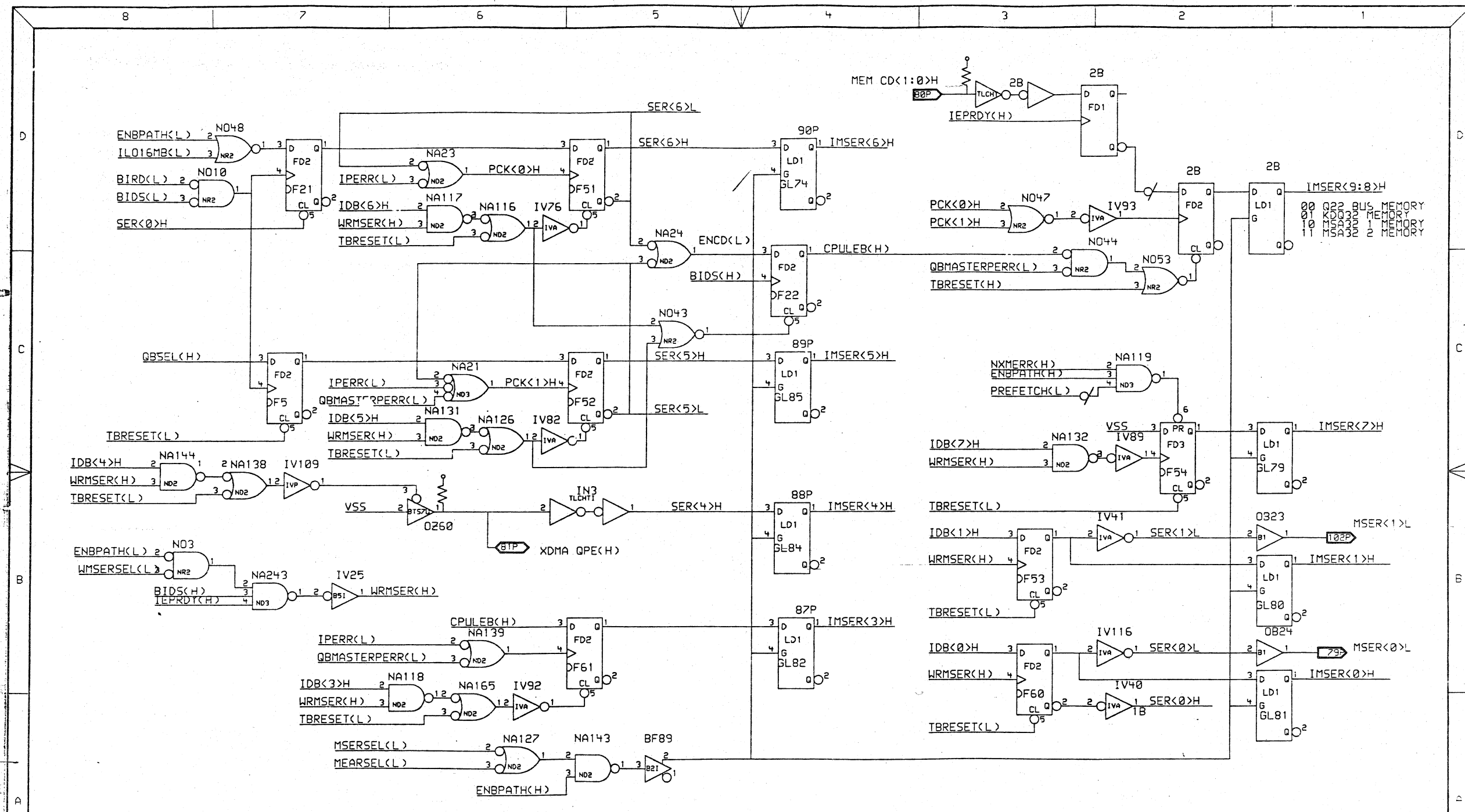
DRAWING
 TITLE=GA1
 ABBREV=GA1
 CIRCUIT+TYPE=GATE+ARRAY
 LAST*MODIFIED=Sun Oct 7 17:19:49 1984



DRN: BARRY MASKAS
 CHK'D: BARRY MASKAS

DATE 19-DEC-83
 DATE 19-DEC-83
 SHEET 1 OF 1
 NEXT HIGHER ASSEMBLY:

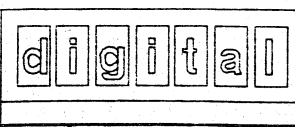
ENG: BARRY MASKAS
 DATE 19-DEC-83
 TITLE: RESET COUNTER, POWER UP/DOWN CNTRL
 SIZE CODE NUMBER REV
 D CS M7606 -0 -40 B



1.7.2.10

"THIS DRAWING AND SPECIFICATIONS, HEREIN, ARE THE PROPERTY OF DIGITAL EQUIPMENT CORPORATION AND SHALL NOT BE REPRODUCED OR COPIED OR USED IN WHOLE OR IN PART AS THE BASIS FOR THE MANUFACTURE OR SALE OF ITEMS WITHOUT WRITTEN PERMISSION.
 COPYRIGHT 1984 DIGITAL EQUIPMENT CORPORATION

REVISION HISTORY		DRAWING	
REV	ECO NUMBER	DATE	TITLE
0			TITLE=GA1 ABBREV=GA! CIRCUIT=TYPE=GATE+ARRAY LAST+MODIFIED=Sun Oct 7 17:24:40 1984

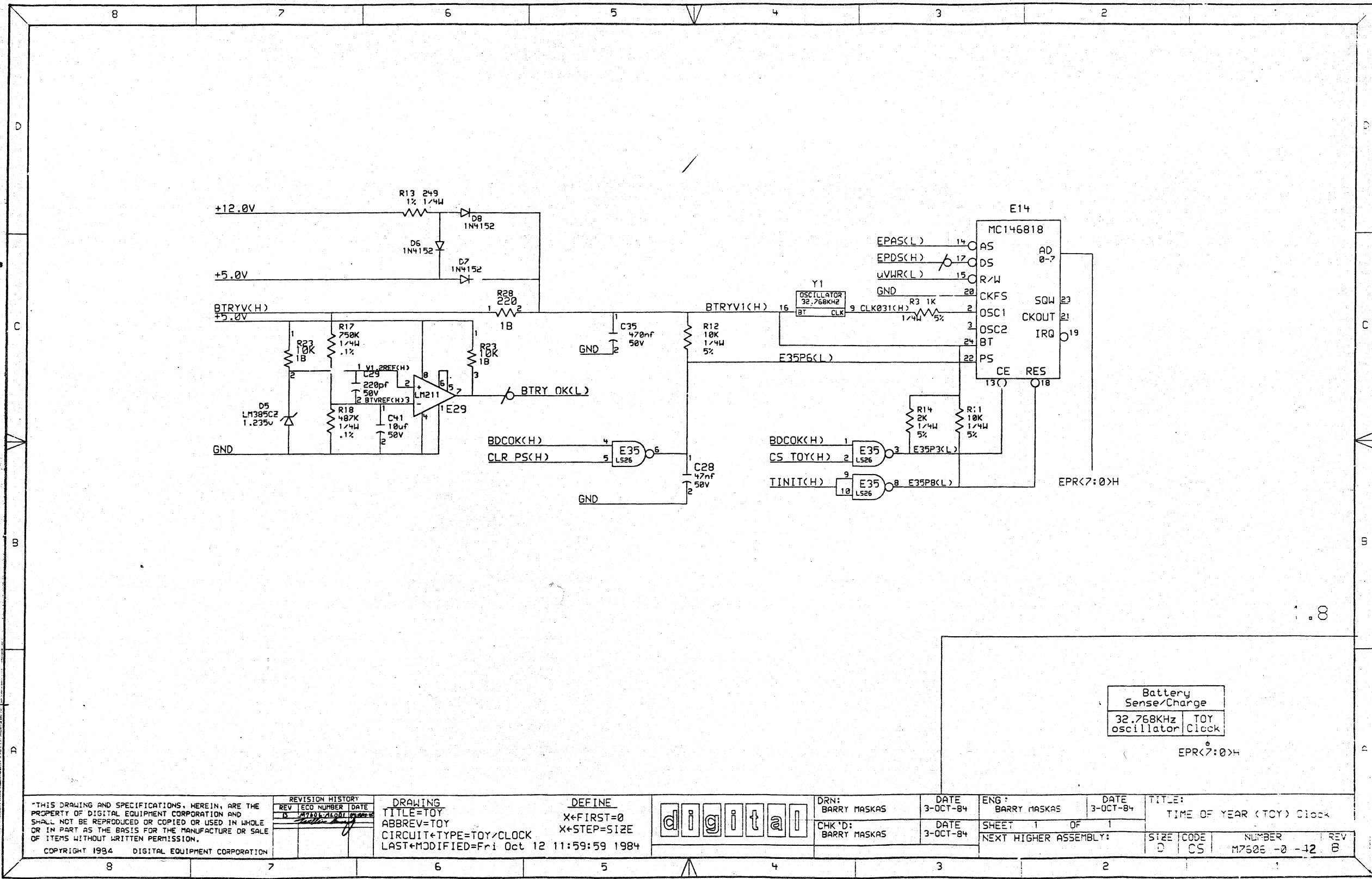


DRN: BARRY MASKAS
 CHK'D: BARRY MASKAS

DATE: 19-DEC-83

ENG: BARRY MASKAS
 SHEET 1 OF 1
 NEXT HIGHER ASSEMBLY:

DATE: 19-DEC-83
 TITLE: MEMORY SYSTEM ERROR REGISTER
 SIZE CODE NUMBER REV
 D CS M7505 -0 -4 E



Battery Sense/Charge
32.768KHz TOY oscillator Clock

EPR(7:0)H

THIS DRAWING AND SPECIFICATIONS, HEREIN, ARE THE PROPERTY OF DIGITAL EQUIPMENT CORPORATION AND SHALL NOT BE REPRODUCED OR COPIED OR USED IN WHOLE OR IN PART AS THE BASIS FOR THE MANUFACTURE OR SALE OF ITEMS WITHOUT WRITTEN PERMISSION.
COPYRIGHT 1984 DIGITAL EQUIPMENT CORPORATION

REV	TECD	NUMBER	DATE
1			10/12/84

DRAWING
TITLE=TOY
ABBREV=TOY
CIRCUIT+TYPE=TOY/CLOCK
LAST+MODIFIED=Fri Oct 12 11:59:59 1984

DEFINE
X+FIRST=0
X+STEP=SIZE

digital

DRN:
BARRY MASKAS

CHK'D:
BARRY MASKAS

DATE
3-OCT-84

DATE
3-OCT-84

ENG:
BARRY MASKAS

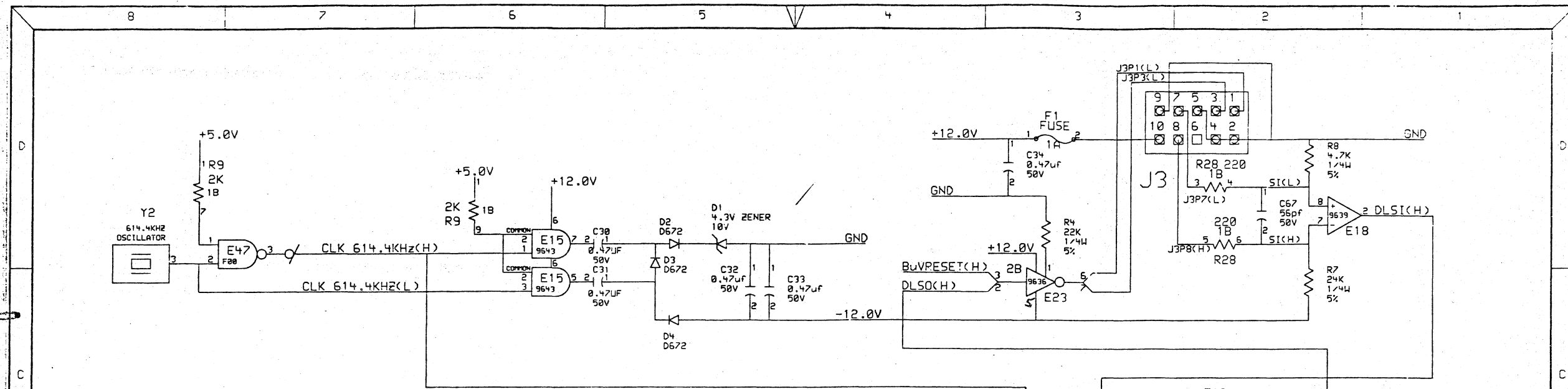
SHEET 1 OF 1

NEXT HIGHER ASSEMBLY:

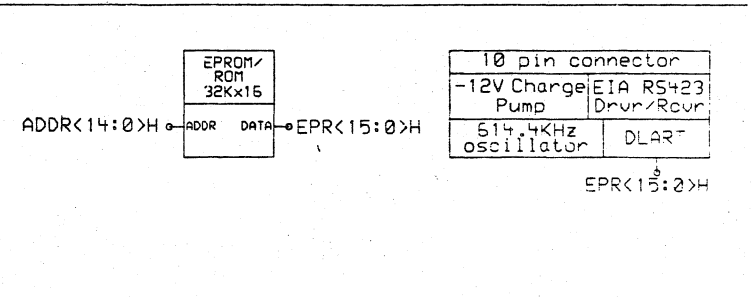
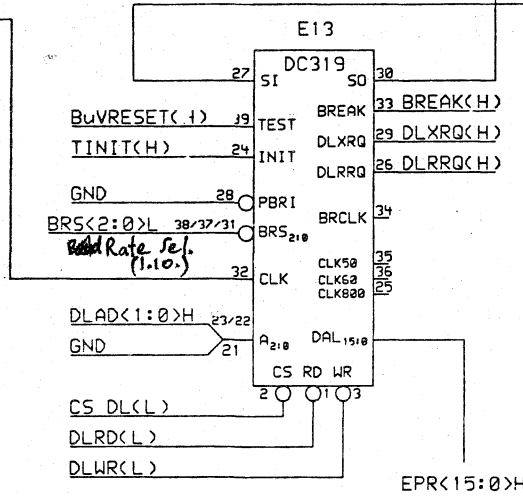
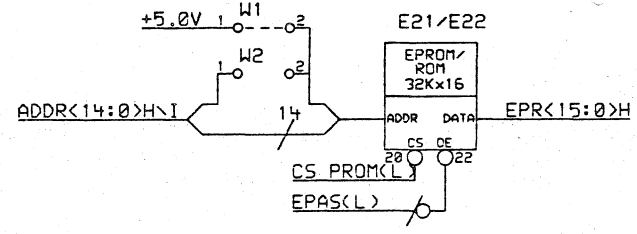
DATE
3-OCT-84

TITLE:
TIME OF YEAR (TOY) Clock

SIZE	CODE	NUMBER	REV
D	CS	M7606-0	-12 B



NOTE:
 W1 is normally installed (for 2764 & 27128 EPROM's)
 W2 is to be installed for 27256 EPROM's.



"THIS DRAWING AND SPECIFICATIONS, HEREIN, ARE THE PROPERTY OF DIGITAL EQUIPMENT CORPORATION AND SHALL NOT BE REPRODUCED OR COPIED OR USED IN WHOLE OR IN PART AS THE BASIS FOR THE MANUFACTURE OR SALE OF ITEMS WITHOUT WRITTEN PERMISSION.
 COPYRIGHT 1984 DIGITAL EQUIPMENT CORPORATION

REVISION HISTORY		
REV	TECO NUMBER	DATE
0	10701-AL01	10/27/84

DRAWING
 TITLE=COMM
 ABBREV=COMM
 CIRCUIT+TYPE=SERIAL+I/O
 LAST+MODIFIED=Fri Oct 12 14:27:55 1984

DEFINE
 X*FIRST=0
 X*STEP=SIZE
 digital

DRN:
 BARRY MASKAS
 CHK'D:
 BARRY MASKAS

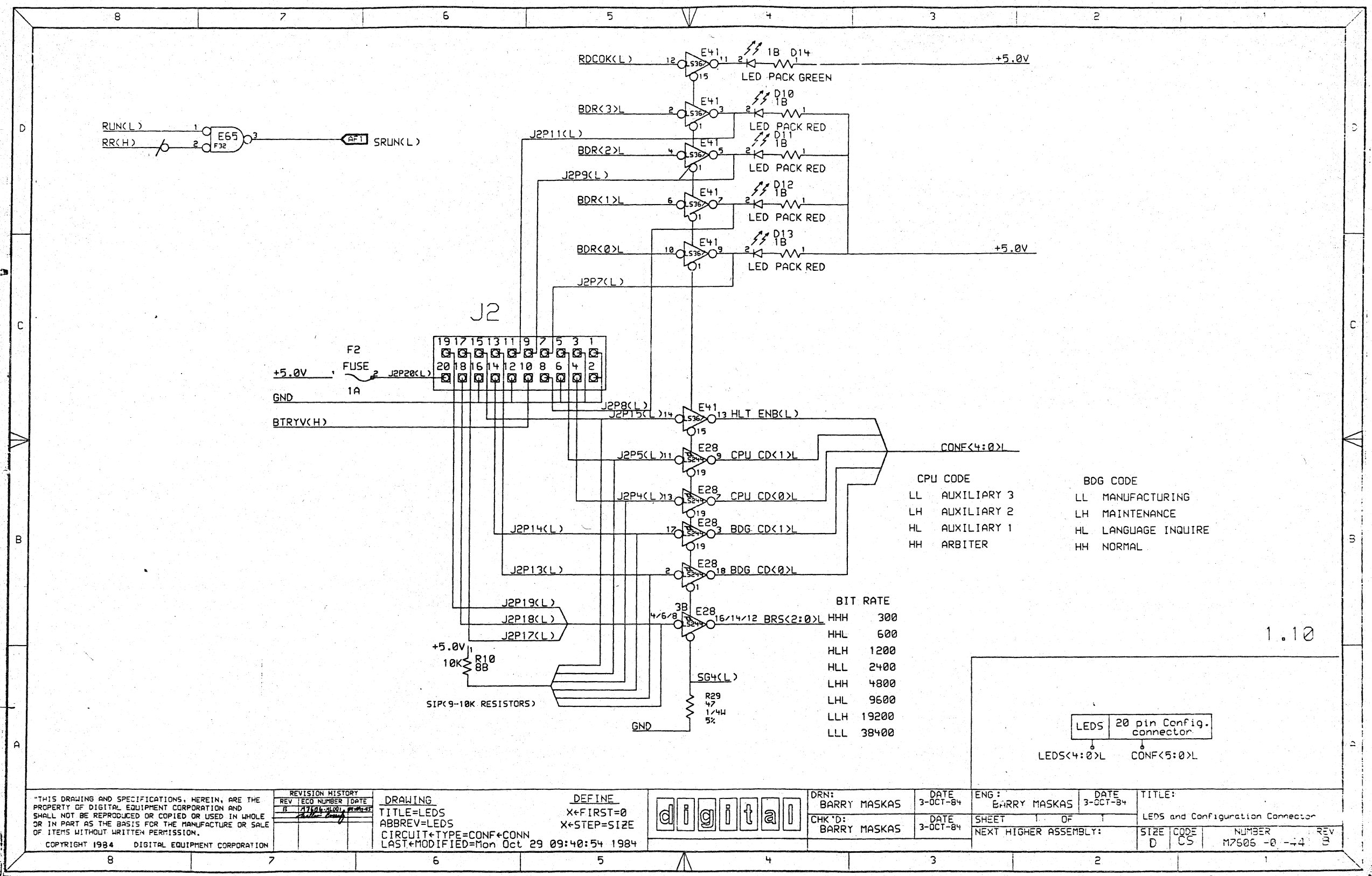
DATE
 3-OCT-84

ENG:
 BARRI MASKAS
 SHEET 1 OF 1
 NEXT HIGHER ASSEMBLY:

DATE
 3-OCT-84

TITLE:
 Console Serial Line Interface
 SIZE CODE NUMBER REV
 D CS M7626 -0 -43 3

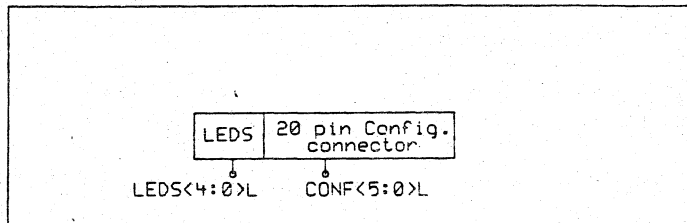
060-



CPU CODE		BDG CODE	
LL	AUXILIARY 3	LL	MANUFACTURING
LH	AUXILIARY 2	LH	MAINTENANCE
HL	AUXILIARY 1	HL	LANGUAGE INQUIRE
HH	ARBITER	HH	NORMAL

BIT RATE	
HHH	300
HHL	600
HLH	1200
HLL	2400
LHH	4800
LHL	9600
LLH	19200
LLL	38400

1.10



THIS DRAWING AND SPECIFICATIONS, HEREIN, ARE THE PROPERTY OF DIGITAL EQUIPMENT CORPORATION AND SHALL NOT BE REPRODUCED OR COPIED OR USED IN WHOLE OR IN PART AS THE BASIS FOR THE MANUFACTURE OR SALE OF ITEMS WITHOUT WRITTEN PERMISSION.
 COPYRIGHT 1984 DIGITAL EQUIPMENT CORPORATION

REVISION HISTORY		
REV	ECO NUMBER	DATE
1		10/29/84

DRAWING
 TITLE=LEDS
 ABBREV=LEDS
 CIRCUIT+TYPE=CONF+CONN
 LAST+MODIFIED=Mon Oct 29 09:40:54 1984

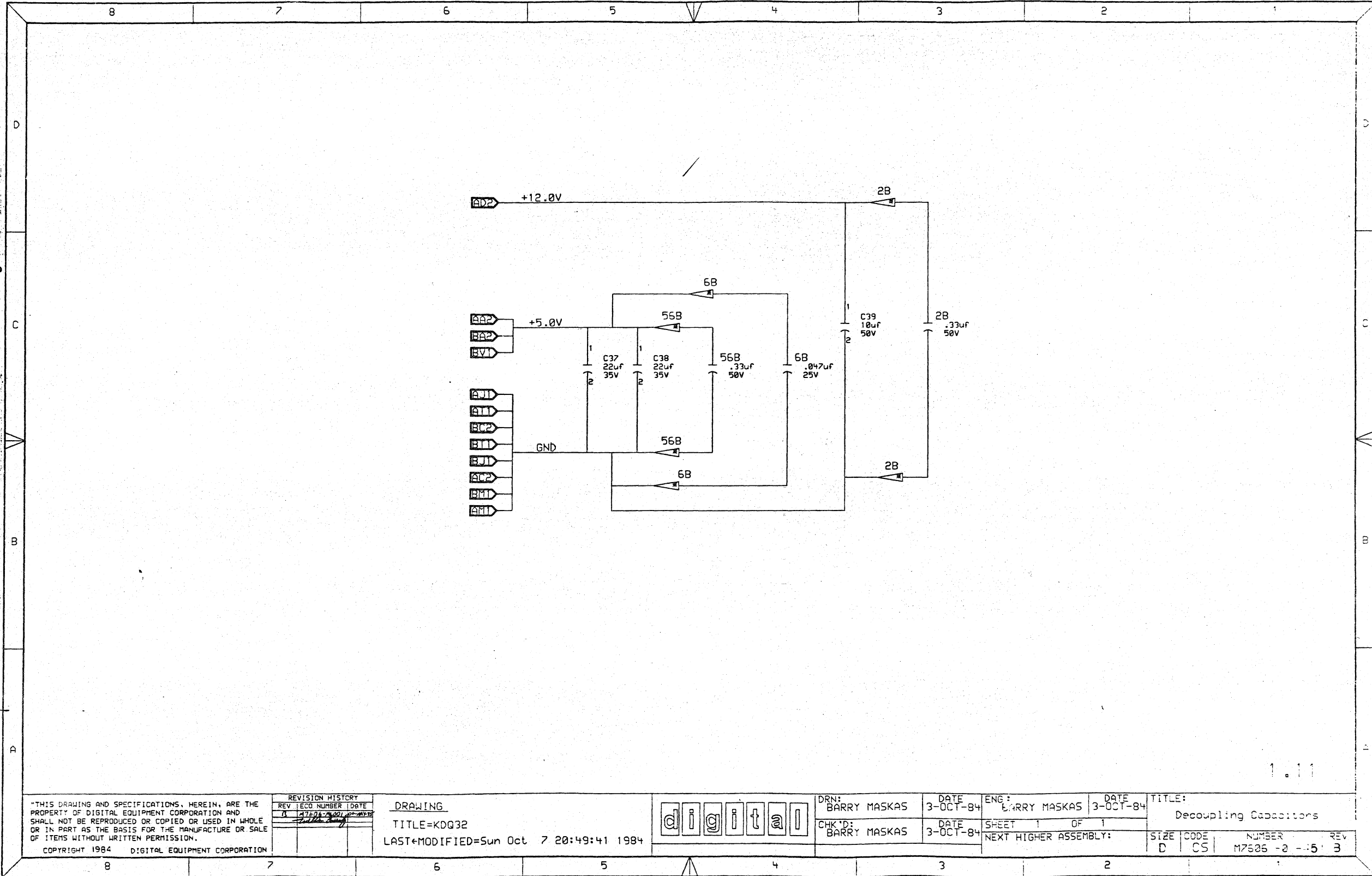
DEFINE
 X<FIRST=0
 X<STEP=SIZE

digital

DRN: BARRY MASKAS
 DATE 3-OCT-84
 CHK'D: BARRY MASKAS
 DATE 3-OCT-84

ENG: BARRY MASKAS
 DATE 3-OCT-84
 SHEET 1 OF 1
 NEXT HIGHER ASSEMBLY:

TITLE:			
LEDS and Configuration Connector			
SIZE	CODE	NUMBER	REV
D	CS	M7505-0	-14 W



"THIS DRAWING AND SPECIFICATIONS, HEREIN, ARE THE PROPERTY OF DIGITAL EQUIPMENT CORPORATION AND SHALL NOT BE REPRODUCED OR COPIED OR USED IN WHOLE OR IN PART AS THE BASIS FOR THE MANUFACTURE OR SALE OF ITEMS WITHOUT WRITTEN PERMISSION.
 COPYRIGHT 1984 DIGITAL EQUIPMENT CORPORATION

REVISION HISTORY		
REV	ECO NUMBER	DATE
1		3-10-84

DRAWING
 TITLE=KDG32
 LAST MODIFIED=Sun Oct 7 20:49:41 1984

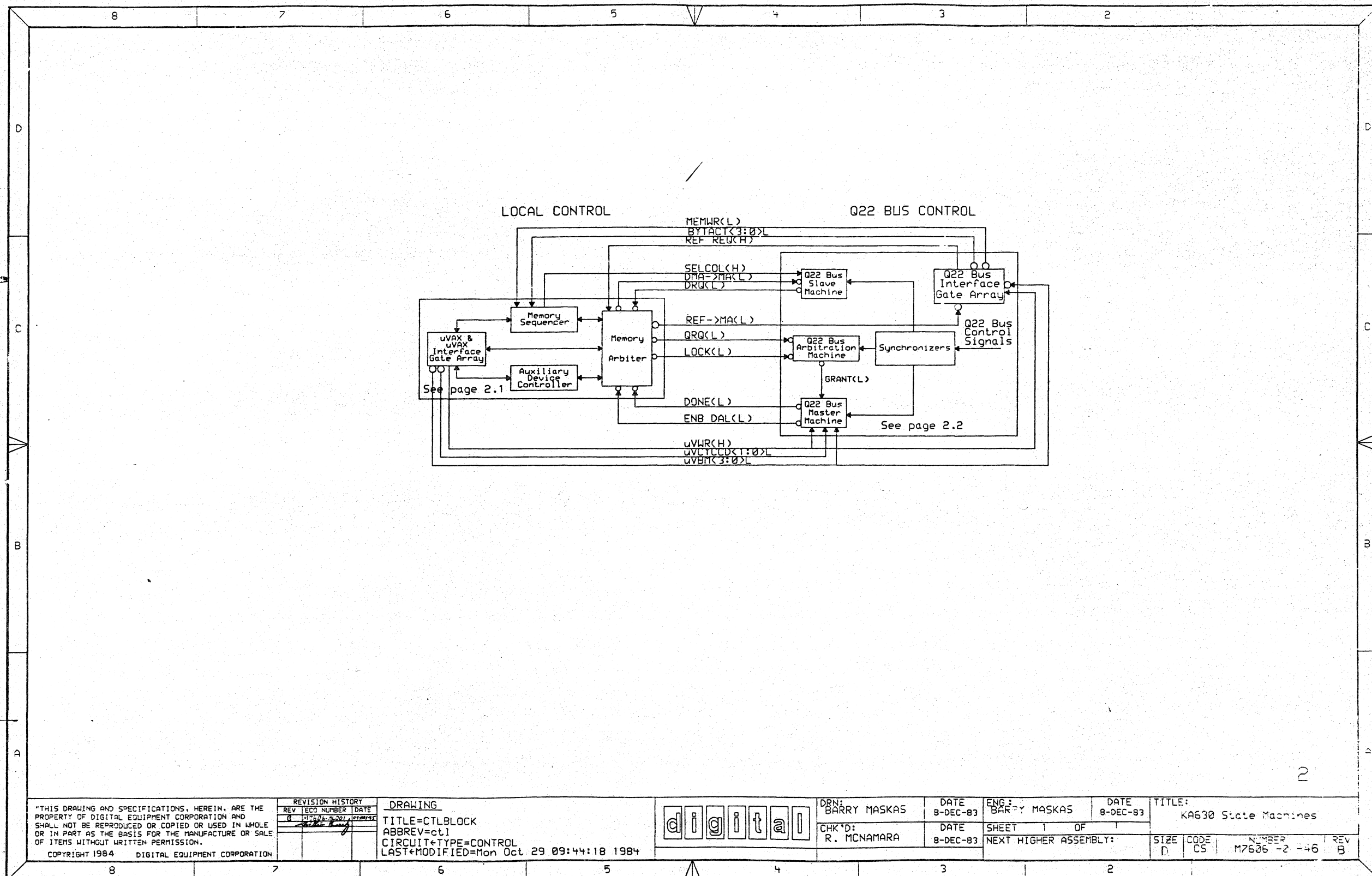
digital

DRN: BARRY MASKAS
 DATE 3-OCT-84
 CHK'D: BARRY MASKAS
 DATE 3-OCT-84

ENG: BARRY MASKAS
 DATE 3-OCT-84
 SHEET 1 OF 1
 NEXT HIGHER ASSEMBLY:

TITLE: Decoupling Capacitors
 SIZE CODE NUMBER REV
 D CS M7505 -2 -5 3

1.11



2

"THIS DRAWING AND SPECIFICATIONS, HEREIN, ARE THE PROPERTY OF DIGITAL EQUIPMENT CORPORATION AND SHALL NOT BE REPRODUCED OR COPIED OR USED IN WHOLE OR IN PART AS THE BASIS FOR THE MANUFACTURE OR SALE OF ITEMS WITHOUT WRITTEN PERMISSION.
 COPYRIGHT 1984 DIGITAL EQUIPMENT CORPORATION

REVISION HISTORY	
REV	TECO NUMBER DATE
0	12/08/83 BARRY MASKAS

DRAWING
 TITLE=CTLBLOCK
 ABBREV=ct1
 CIRCUIT+TYPE=CONTROL
 LAST*MODIFIED=Mon Oct 29 09:44:18 1984

digital

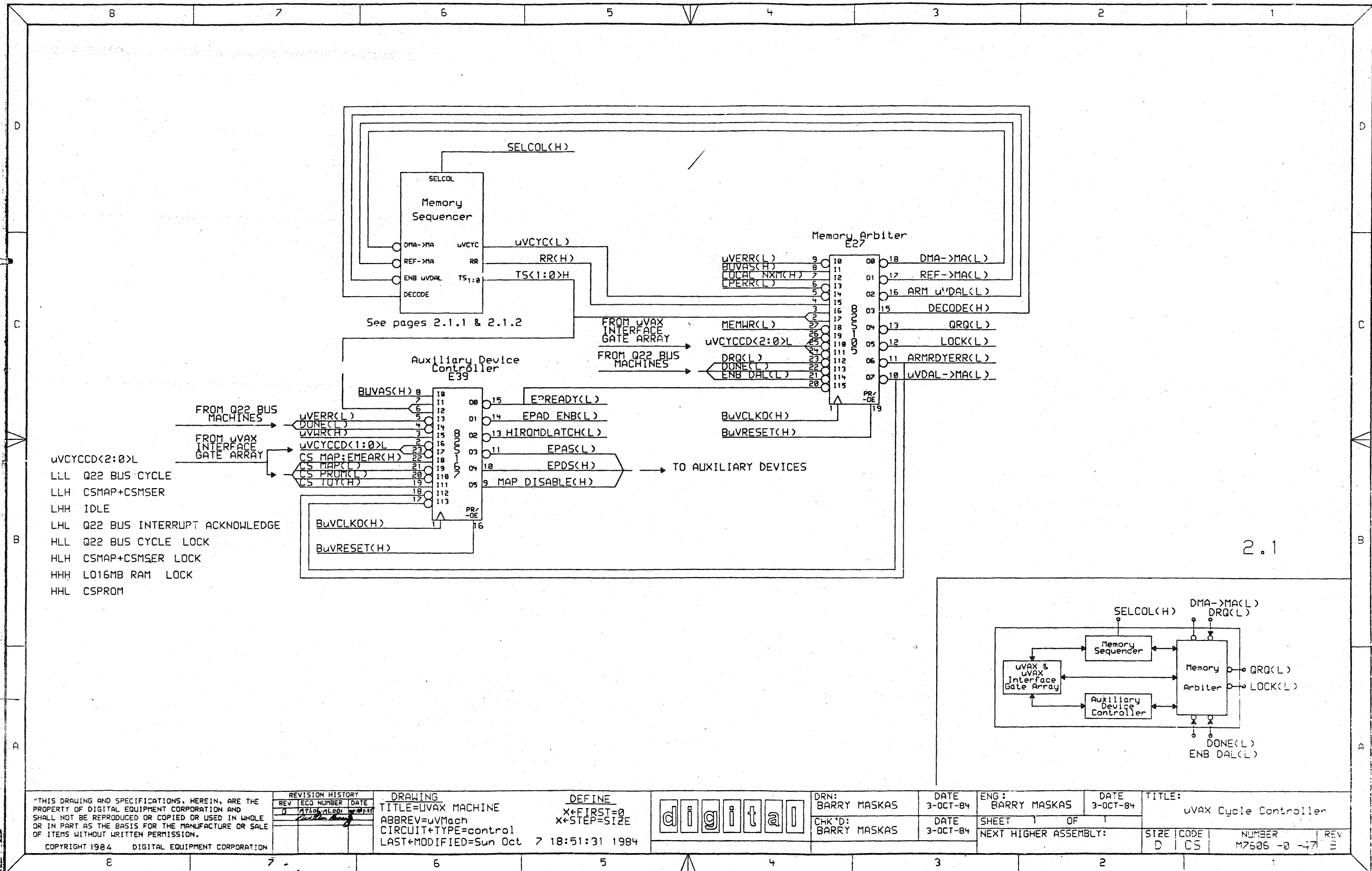
DRN: BARRY MASKAS
 CHK'D: R. MCNAMARA

DATE 8-DEC-83
 DATE 8-DEC-83

ENG: BARRY MASKAS
 SHEET 1 OF 1
 NEXT HIGHER ASSEMBLY:

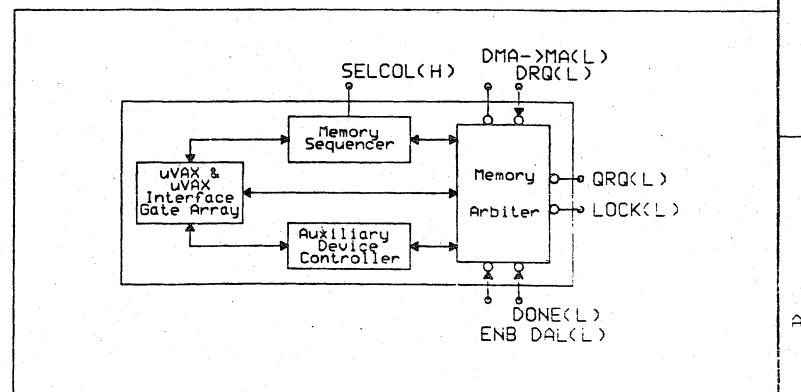
SIZE D CODE CS NUMBER M7606 -2 -46 REV B

TITLE: KA630 State Machines

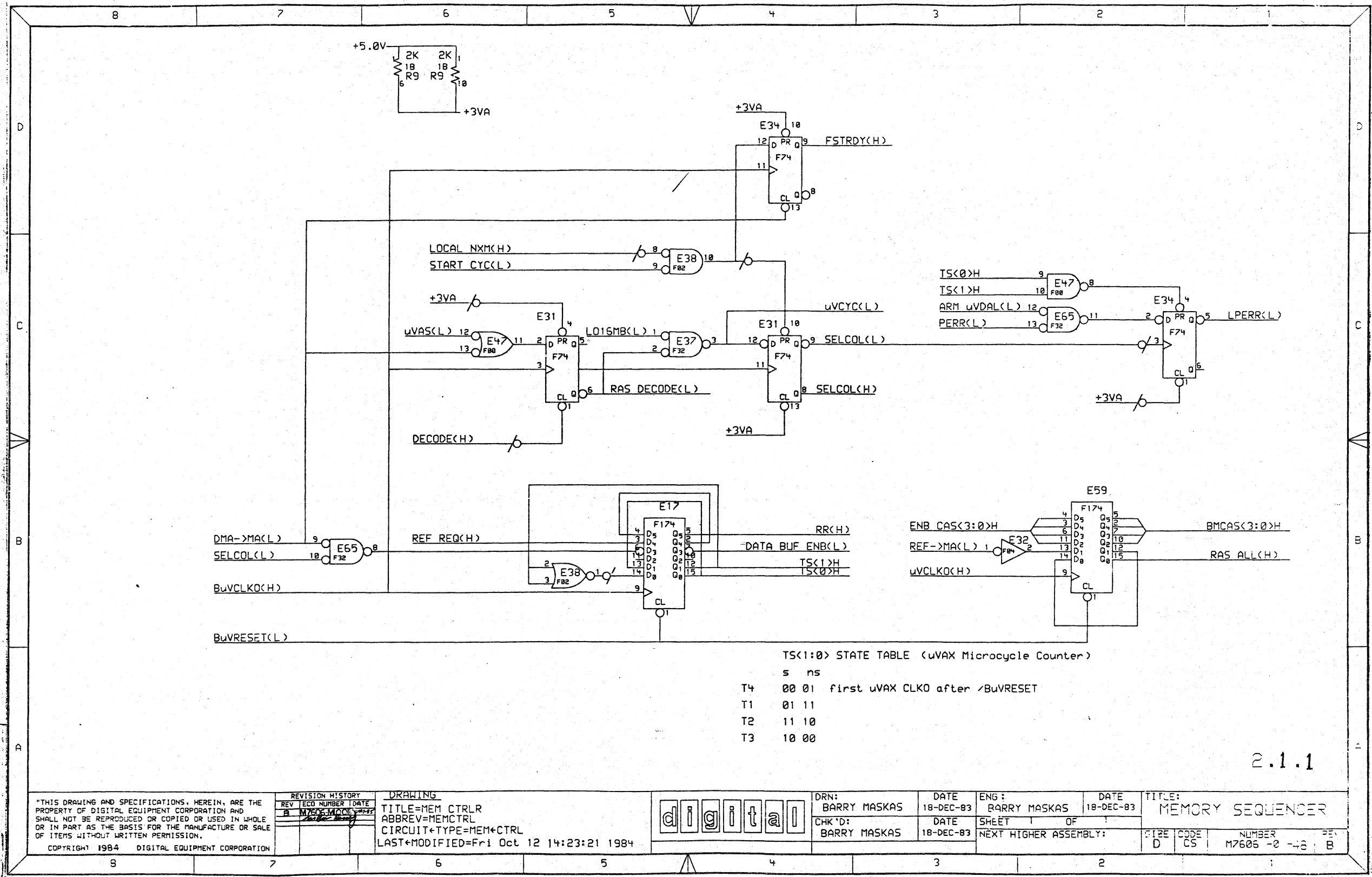


- uVCYCCD<2:0>(L)
- LLL Q22 BUS CYCLE
 - LLH CSMAP+CSMSER
 - LHH IDLE
 - LHL Q22 BUS INTERRUPT ACKNOWLEDGE
 - HLL Q22 BUS CYCLE LOCK
 - HLH CSMAP+CSMSER LOCK
 - HHH L016MB RAM LOCK
 - HHL CSPROM

2.1



*THIS DRAWING AND SPECIFICATIONS, HEREIN, ARE THE PROPERTY OF DIGITAL EQUIPMENT CORPORATION AND SHALL NOT BE REPRODUCED OR COPIED OR USED IN WHOLE OR IN PART AS THE BASIS FOR THE MANUFACTURE OR SALE OF ITEMS WITHOUT WRITTEN PERMISSION. COPYRIGHT 1984 DIGITAL EQUIPMENT CORPORATION		<table border="1"> <thead> <tr> <th colspan="3">REVISION HISTORY</th> </tr> <tr> <th>REV</th> <th>TECD NUMBER</th> <th>DATE</th> </tr> </thead> <tbody> <tr> <td>1</td> <td>1</td> <td>3-10-84</td> </tr> </tbody> </table>	REVISION HISTORY			REV	TECD NUMBER	DATE	1	1	3-10-84	<table border="1"> <thead> <tr> <th colspan="2">DRAWING</th> </tr> <tr> <th>TITLE</th> <th>DEFINE</th> </tr> </thead> <tbody> <tr> <td>TITLE=UVAX MACHINE</td> <td>X<FIRST=0</td> </tr> <tr> <td>ABBREV=uvMach</td> <td>X<STEP=SIZE</td> </tr> <tr> <td>CIRCUIT+TYPE=control</td> <td></td> </tr> <tr> <td>LAST+MODIFIED=Sun Oct 7 18:51:31 1984</td> <td></td> </tr> </tbody> </table>	DRAWING		TITLE	DEFINE	TITLE=UVAX MACHINE	X<FIRST=0	ABBREV=uvMach	X<STEP=SIZE	CIRCUIT+TYPE=control		LAST+MODIFIED=Sun Oct 7 18:51:31 1984			<table border="1"> <tr> <td>DRN: BARRY MASKAS</td> <td>DATE: 3-OCT-84</td> <td>ENG: BARRY MASKAS</td> <td>DATE: 3-OCT-84</td> <td>TITLE: uVAX Cycle Controller</td> </tr> <tr> <td>CHK'D: BARRY MASKAS</td> <td>DATE: 3-OCT-84</td> <td>SHEET 1 OF 1</td> <td>NEXT HIGHER ASSEMBLY:</td> <td>SIZE CODE NUMBER REV D CS M7506 -0 -47 E</td> </tr> </table>	DRN: BARRY MASKAS	DATE: 3-OCT-84	ENG: BARRY MASKAS	DATE: 3-OCT-84	TITLE: uVAX Cycle Controller	CHK'D: BARRY MASKAS	DATE: 3-OCT-84	SHEET 1 OF 1	NEXT HIGHER ASSEMBLY:	SIZE CODE NUMBER REV D CS M7506 -0 -47 E
REVISION HISTORY																																				
REV	TECD NUMBER	DATE																																		
1	1	3-10-84																																		
DRAWING																																				
TITLE	DEFINE																																			
TITLE=UVAX MACHINE	X<FIRST=0																																			
ABBREV=uvMach	X<STEP=SIZE																																			
CIRCUIT+TYPE=control																																				
LAST+MODIFIED=Sun Oct 7 18:51:31 1984																																				
DRN: BARRY MASKAS	DATE: 3-OCT-84	ENG: BARRY MASKAS	DATE: 3-OCT-84	TITLE: uVAX Cycle Controller																																
CHK'D: BARRY MASKAS	DATE: 3-OCT-84	SHEET 1 OF 1	NEXT HIGHER ASSEMBLY:	SIZE CODE NUMBER REV D CS M7506 -0 -47 E																																



TS<1:0> STATE TABLE (uVAX Microcycle Counter)

s	ns
T4	00 01 first uVAX CLKO after /BuVRESET
T1	01 11
T2	11 10
T3	10 00

2.1.1

*THIS DRAWING AND SPECIFICATIONS, HEREIN, ARE THE PROPERTY OF DIGITAL EQUIPMENT CORPORATION AND SHALL NOT BE REPRODUCED OR COPIED OR USED IN WHOLE OR IN PART AS THE BASIS FOR THE MANUFACTURE OR SALE OF ITEMS WITHOUT WRITTEN PERMISSION.
 COPYRIGHT 1984 DIGITAL EQUIPMENT CORPORATION

REV	ECO NUMBER	DATE
B	M7605-02	10/12/84

DRAWING
 TITLE=MEM CTRLR
 ABBREV=MEMCTRL
 CIRCUIT+TYPE=MEM+CTRL
 LAST+MODIFIED=Fr1 Oct 12 14:23:21 1984

digital

DRN:
 BARRY MASKAS
 CHK'D:
 BARRY MASKAS

DATE
 18-DEC-83

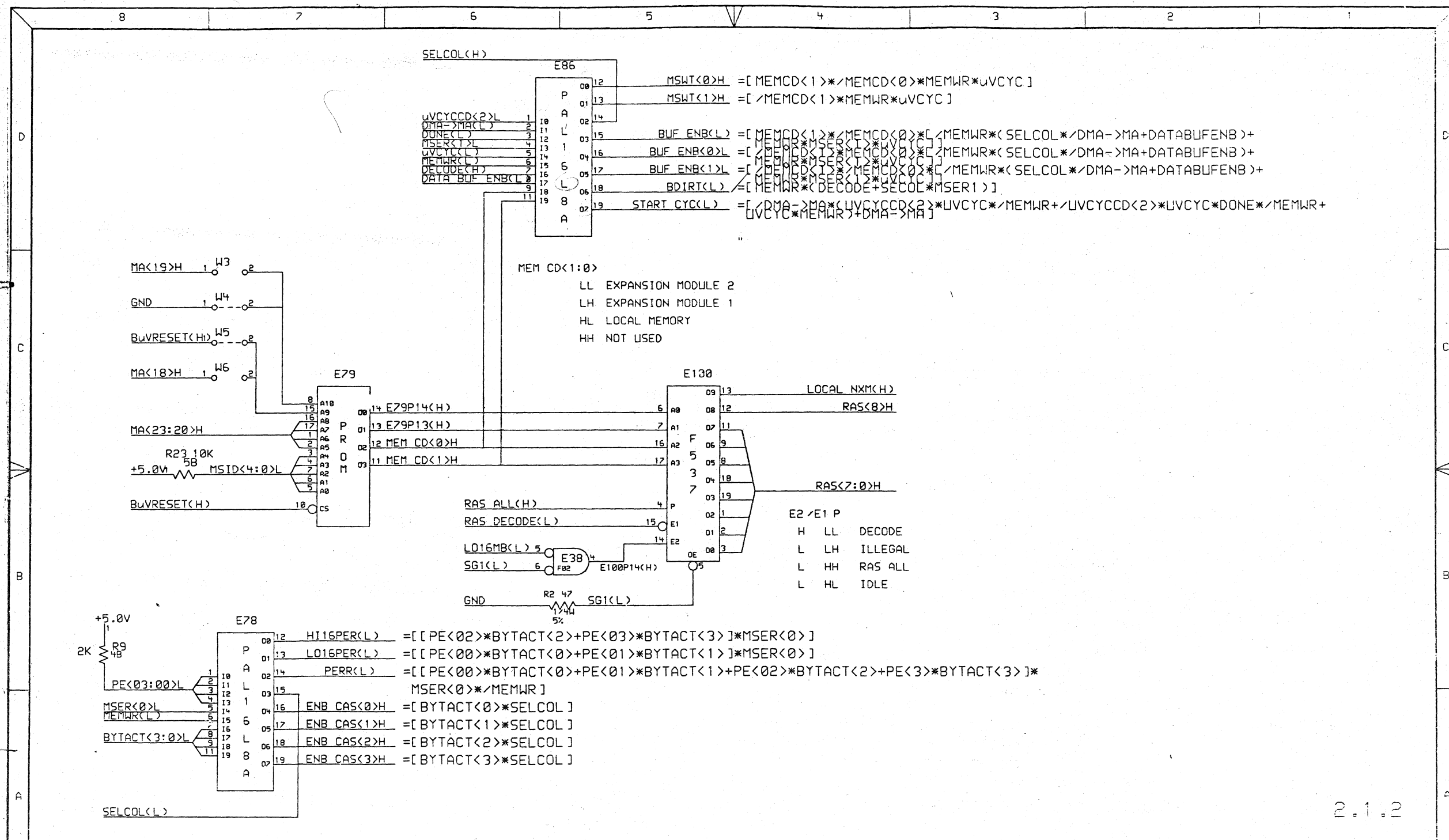
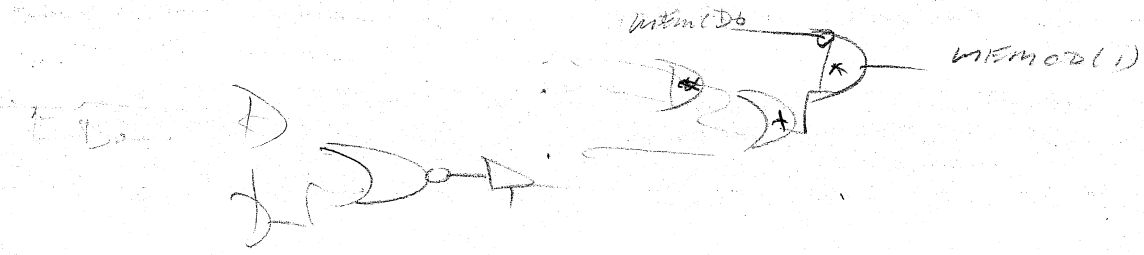
ENG:
 BARRY MASKAS

DATE
 18-DEC-83

TITLE:
 MEMORY SEQUENCER

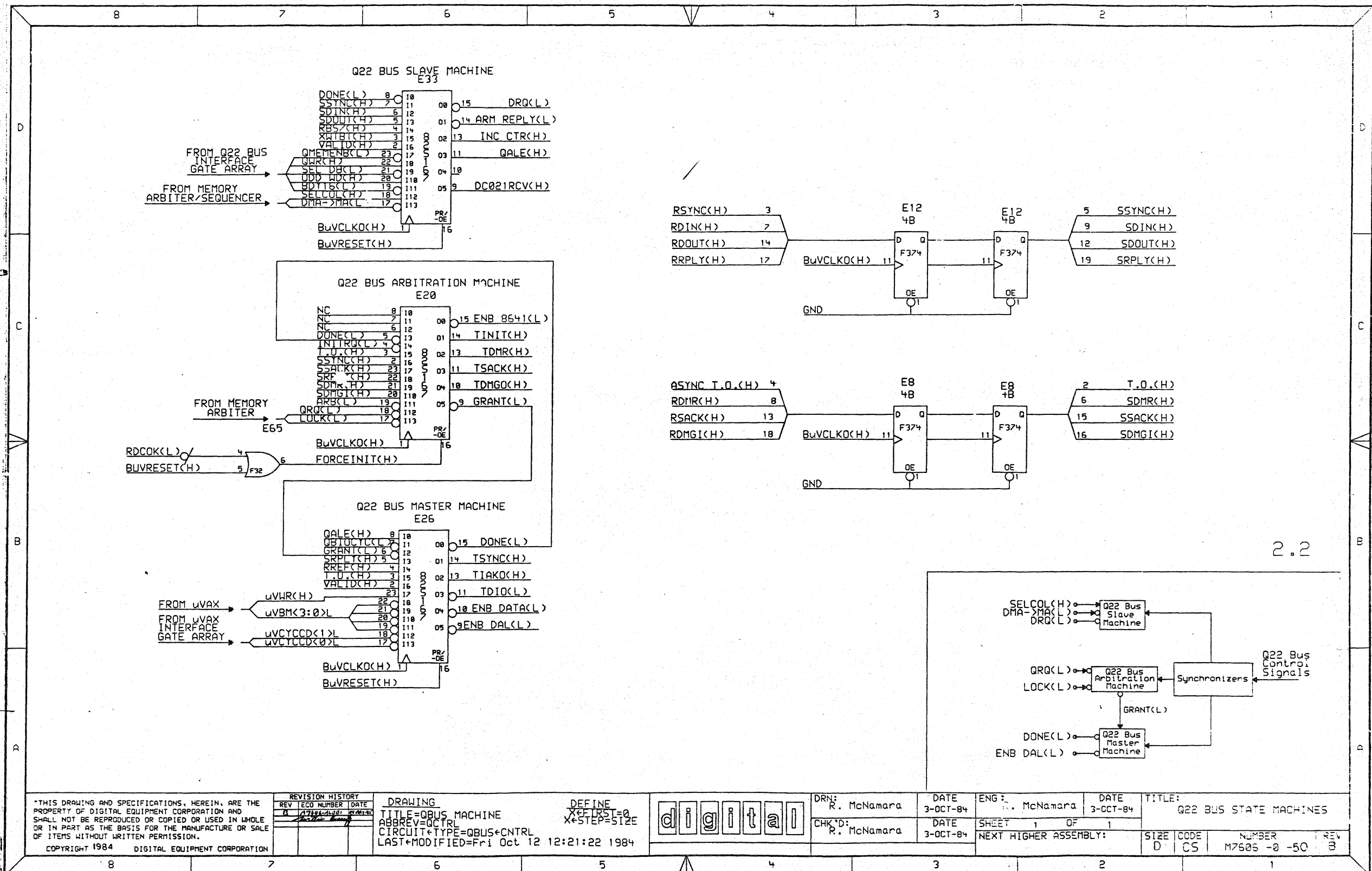
SHEET 1 OF 1
 NEXT HIGHER ASSEMBLY:

SIZE	CODE	NUMBER	REV
D	CS	M7605-02-43	B



2.1.2

*THIS DRAWING AND SPECIFICATIONS, HEREIN, ARE THE PROPERTY OF DIGITAL EQUIPMENT CORPORATION AND SHALL NOT BE REPRODUCED OR COPIED OR USED IN WHOLE OR IN PART AS THE BASIS FOR THE MANUFACTURE OR SALE OF ITEMS WITHOUT WRITTEN PERMISSION. COPYRIGHT 1984 DIGITAL EQUIPMENT CORPORATION	REVISION HISTORY REV ECD NUMBER DATE B M7506 M1001 11/84	DRAWING TITLE=MEM CTRLR ABBREV=MEM+CTRLR CIRCUIT+TYPE=MEM+DECODE LAST*MODIFIED=Fr1 Oct 12 14:19:03 1984	DEFINE X*FIRST=0 X*STEP=SIZE	digital	DRN: BARRY MASKAS CHK'D: BARRY MASKAS	DATE 3-OCT-84 DATE 3-OCT-84	ENG: BARRY MASKAS SHEET 1 OF 1 NEXT HIGHER ASSEMBLY:	DATE 3-OCT-84 TITLE: MEMORY SEQUENCER SUPPORT	SIZE D CS	NUMBER M7506 -0 -49, B	REV B
---	--	---	------------------------------------	---------	--	--------------------------------------	---	--	--------------	---------------------------	----------



*THIS DRAWING AND SPECIFICATIONS, HEREIN, ARE THE PROPERTY OF DIGITAL EQUIPMENT CORPORATION AND SHALL NOT BE REPRODUCED OR COPIED OR USED IN WHOLE OR IN PART AS THE BASIS FOR THE MANUFACTURE OR SALE OF ITEMS WITHOUT WRITTEN PERMISSION.
 COPYRIGHT 1984 DIGITAL EQUIPMENT CORPORATION

REVISION HISTORY	
REV	DESCRIPTION
1	INITIAL DESIGN
2	REVISED FOR MANUFACTURE

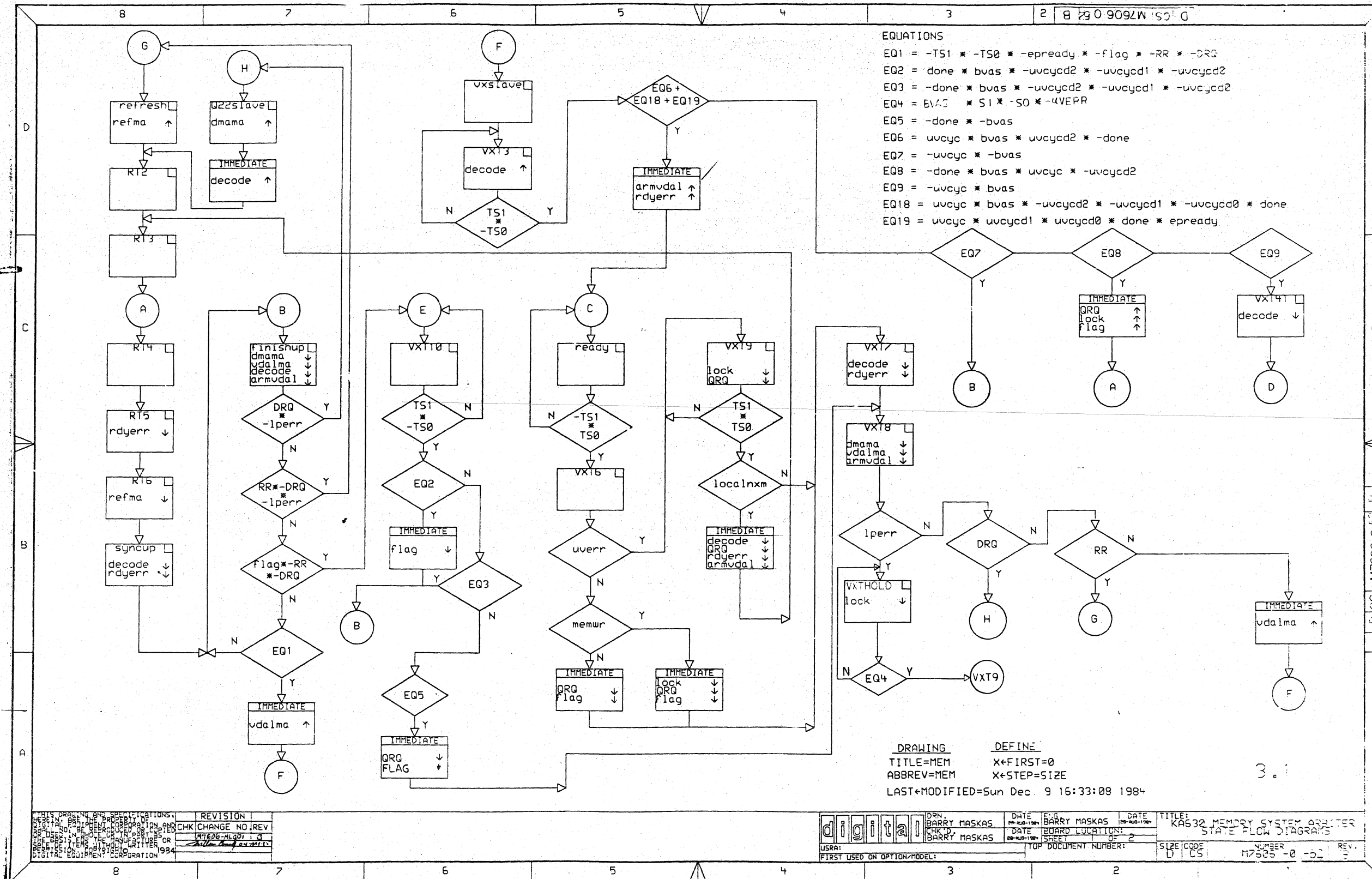
DRAWING
 TITLE=QBUS MACHINE
 ABBREV=QCTR
 CIRCUIT+TYPE=QBUS+CNTRL
 LAST*MODIFIED=Fri Oct 12 12:21:22 1984

DEFINE
 X*FIRST=0
 X*STEP=512E
 digital

DRN: R. McNamara
 DATE: 3-OCT-84
 CHK'D: R. McNamara
 DATE: 3-OCT-84

ENG: R. McNamara
 DATE: 3-OCT-84
 SHEET 1 OF 1
 NEXT HIGHER ASSEMBLY:

TITLE: Q22 BUS STATE MACHINES
 SIZE: D CS
 NUMBER: M7505 -0 -50
 REV: B

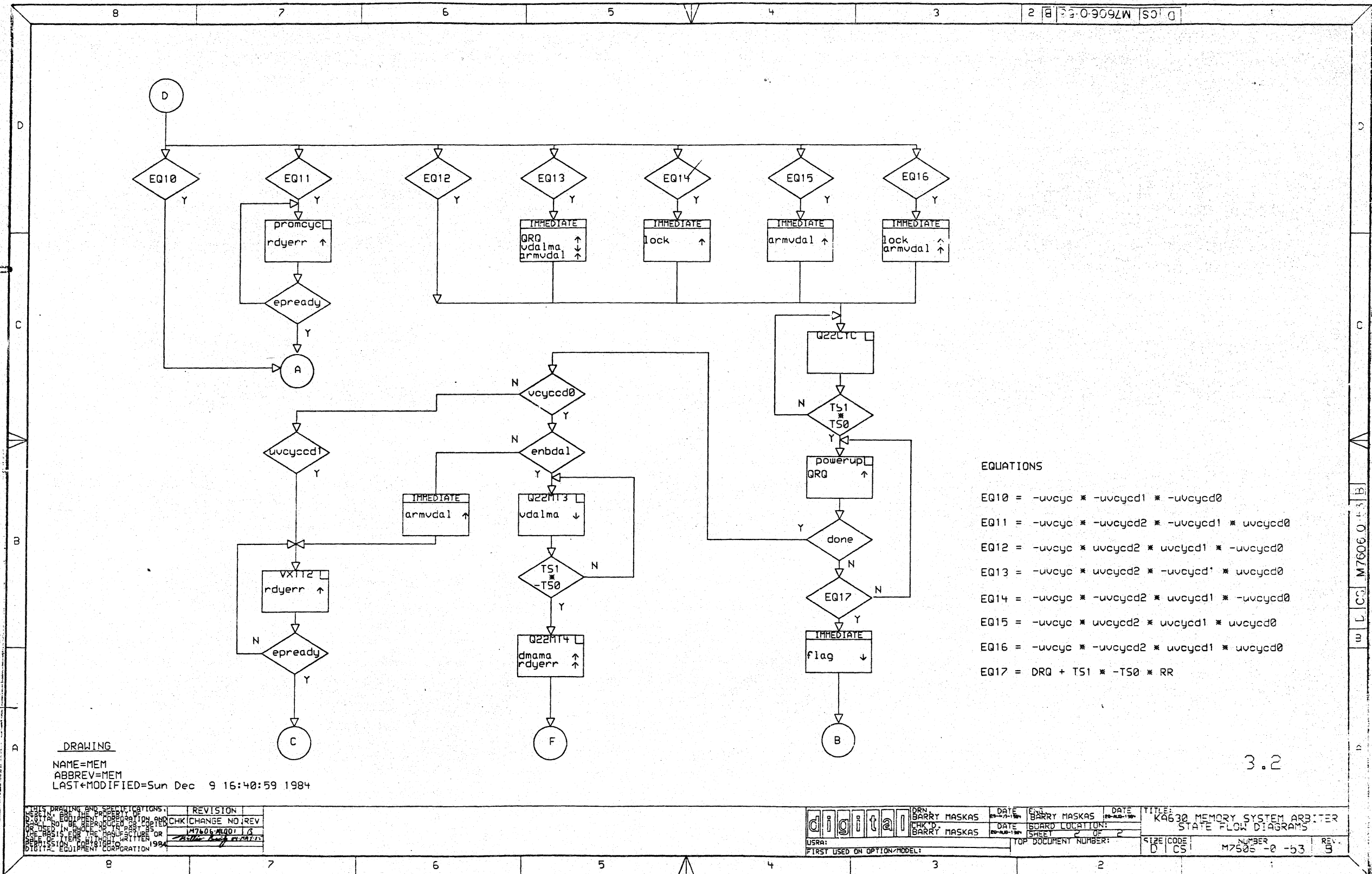


EQUATIONS
 EQ1 = $\neg TS1 * \neg TS0 * \neg epready * \neg flag * \neg RR * \neg DRQ$
 EQ2 = $done * bvas * \neg uvcyd2 * \neg uvcyd1 * \neg uvcyd0$
 EQ3 = $\neg done * bvas * \neg uvcyd2 * \neg uvcyd1 * \neg uvcyd0$
 EQ4 = $EVAS * S1 * \neg S0 * \neg UVERR$
 EQ5 = $\neg done * \neg bvas$
 EQ6 = $uvyc * bvas * uvcyd2 * \neg done$
 EQ7 = $\neg uvyc * \neg bvas$
 EQ8 = $\neg done * bvas * uvyc * \neg uvcyd2$
 EQ9 = $\neg uvyc * bvas$
 EQ18 = $uvyc * bvas * \neg uvcyd2 * \neg uvcyd1 * \neg uvcyd0 * done$
 EQ19 = $uvyc * uvcyd1 * uvcyd0 * done * epready$

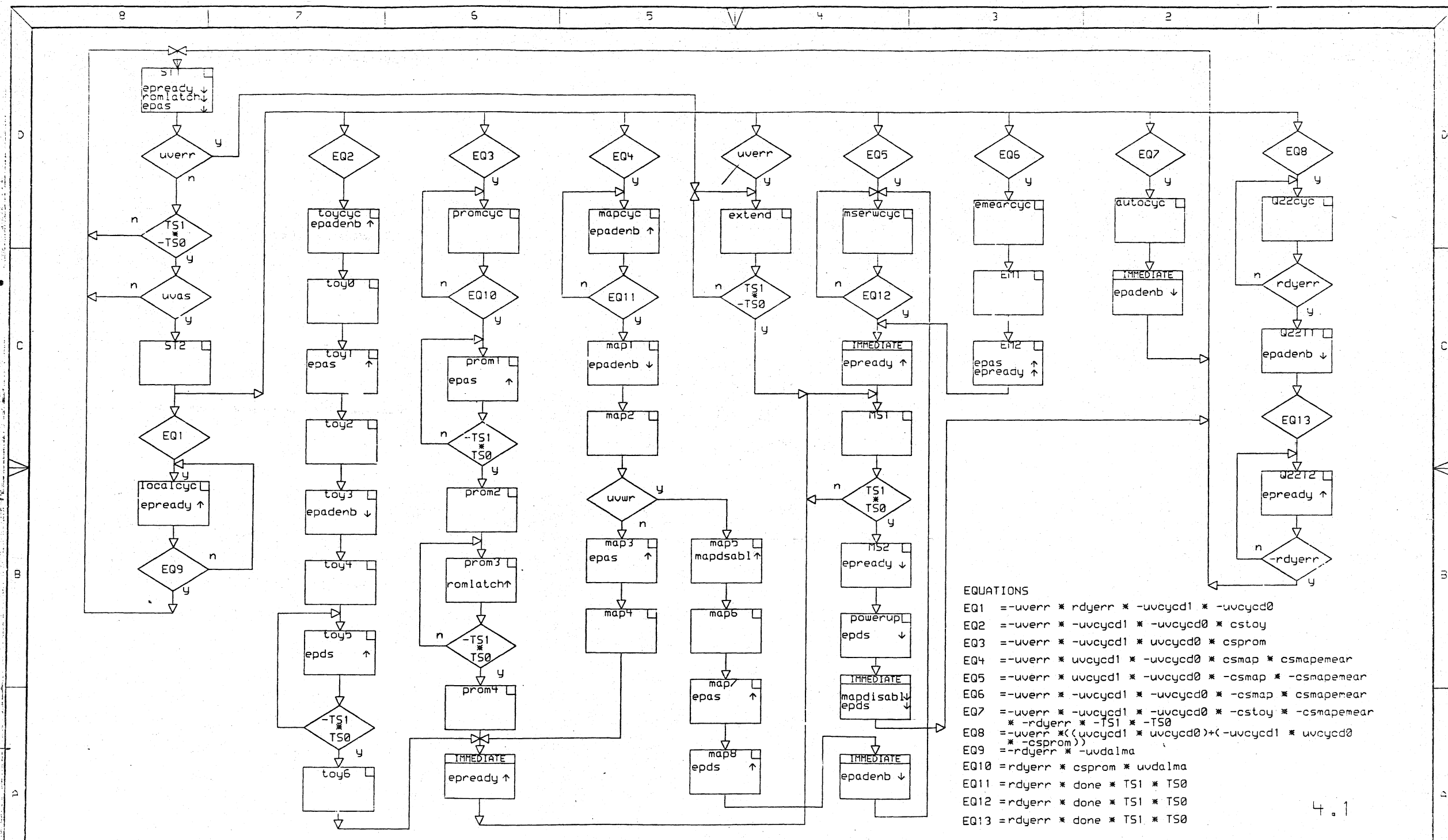
DRAWING TITLE=MEM ABBREV=MEM
 DEFINE X+FIRST=0 X+STEP=SIZE
 LAST*MODIFIED=Sun Dec 9 16:33:08 1984

REVISION	CHK	CHANGE NO	REV
1			

digital	DGN. BARRY MASKAS	DATE 09-02-1984	E.G. BARRY MASKAS	DATE 09-02-1984	TITLE: KAS32 MEMORY SYSTEM ARBITRATOR STATE FLOW DIAGRAMS
	CHK'D. BARRY MASKAS	DATE 09-02-1984	BOARD LOCATION: SHEET 2	SIZE CODE: D JCS	NUMBER: M7606-0-53
USRA:	FIRST USED ON OPTION/MODEL:	TOP DOCUMENT NUMBER:	REV.:		



3.2



EQUATIONS

EQ1 = -uverr * rdyerr * -uvcycd1 * -uvcycd0

EQ2 = -uverr * -uvcycd1 * -uvcycd0 * cstoy

EQ3 = -uverr * -uvcycd1 * uvcycd0 * csprom

EQ4 = -uverr * uvcycd1 * -uvcycd0 * csmmap * csmmapemear

EQ5 = -uverr * uvcycd1 * -uvcycd0 * -csmmap * -csmmapemear

EQ6 = -uverr * -uvcycd1 * -uvcycd0 * -csmmap * csmmapemear

EQ7 = -uverr * -uvcycd1 * -uvcycd0 * -cstoy * -csmmapemear * -rdyerr * -TS1 * -TS0

EQ8 = -uverr * ((uvcycd1 * uvcycd0) + (-uvcycd1 * uvcycd0) * -csprom)

EQ9 = -rdyerr * -uudalma

EQ10 = rdyerr * csprom * uudalma

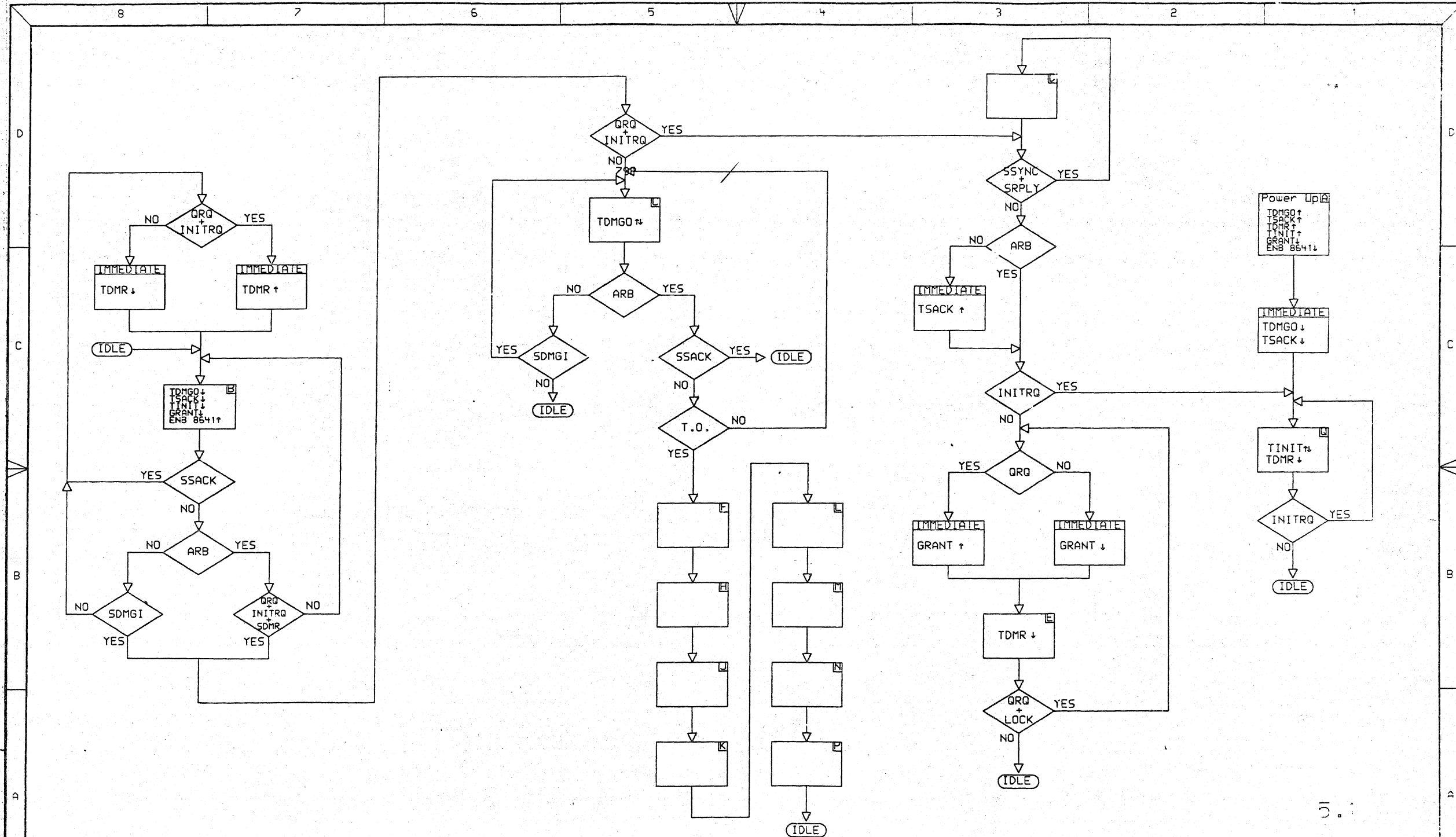
EQ11 = rdyerr * done * TS1 * TS0

EQ12 = rdyerr * done * TS1 * TS0

EQ13 = rdyerr * done * TS1 * TS0

4.1

THIS DRAWING AND SPECIFICATIONS, HEREIN, ARE THE PROPERTY OF DIGITAL EQUIPMENT CORPORATION AND SHALL NOT BE REPRODUCED OR COPIED OR USED IN WHOLE OR IN PART AS THE BASIS FOR THE MANUFACTURE OR SALE OF ITEMS WITHOUT WRITTEN PERMISSION. COPYRIGHT 1984 DIGITAL EQUIPMENT CORPORATION		REVISION HISTORY REV ECD NUMBER DATE 1	DRAWING TITLE=EPR ABBREV=EPR LAST*MODIFIED=Mon Oct. 22 15:14:12 1984	DEFINE X*FIRST=0 X*STEP=SIZE	digital	DRN: BARRY MASKAS DATE: 28-AUG-1984 CHK'D: BARRY MASKAS DATE: 28-AUG-1984	ENG: BARRY MASKAS DATE: 28-AUG-1984 SHEET 1 OF 1 NEXT HIGHER ASSEMBLY:	TITLE: KA630 LOCAL I/O BUS CONTROL STATE MACHINE SIZE CODE NUMBER REV D CS 1 M7606 -0 -35 S
--	--	--	---	------------------------------------	---------	--	---	--

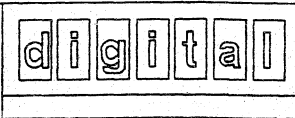


"THIS DRAWING AND SPECIFICATIONS, HEREIN, ARE THE PROPERTY OF DIGITAL EQUIPMENT CORPORATION AND SHALL NOT BE REPRODUCED OR COPIED OR USED IN WHOLE OR IN PART AS THE BASIS FOR THE MANUFACTURE OR SALE OF ITEMS WITHOUT WRITTEN PERMISSION.
 COPYRIGHT 1984 DIGITAL EQUIPMENT CORPORATION

REV	ECO NUMBER	DATE
1		6-7-84

DRAWING TITLE=ARB
 ABBREV=arb
 LAST+MODIFIED=Mon Oct 22 15:04:38 1984

DEFINE
 X*FIRST=0
 X*STEP=38



DRN: R. McNamara
 CHK'D: R. McNamara

DATE 6-Jul-84

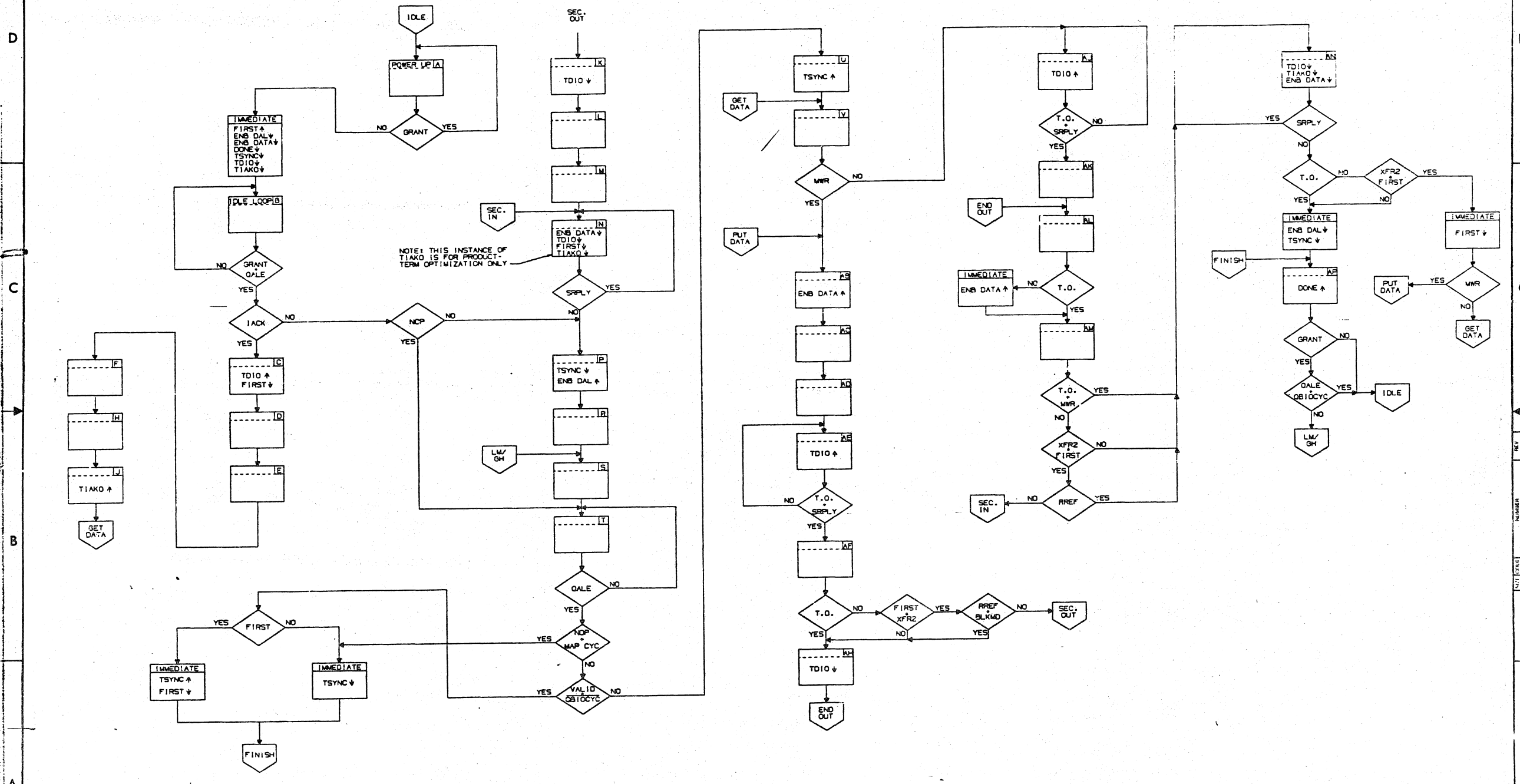
ENG: R. McNamara

DATE 6-Jul-84

TITLE: QBUS ARBITRATION CONTROLLER
 DETAILED CONTROL FLOW DIAGRAM

SIZE CODE NUMBER REV
 D CS M7525 -2 -57 3

THIS DRAWING AND SPECIFICATIONS HEREIN ARE THE PROPERTY OF DIGITAL EQUIPMENT CORPORATION AND SHALL NOT BE REPRODUCED OR COPIED OR USED IN WHOLE OR IN PART AS THE BASIS FOR THE MANUFACTURE OR SALE OF ITEMS WITHOUT WRITTEN PERMISSION. COPYRIGHT © 1974 DIGITAL EQUIPMENT CORPORATION.

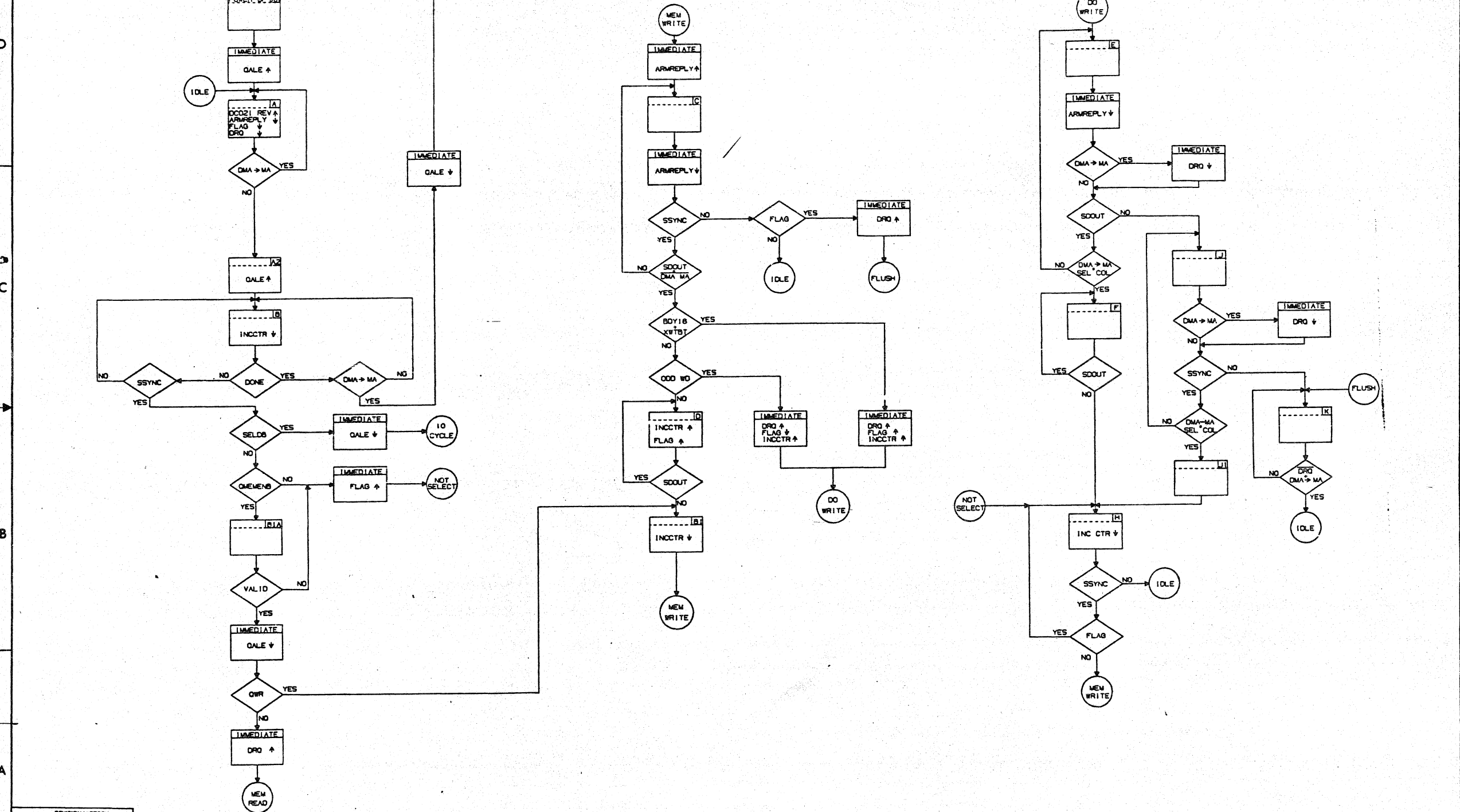


NOTE: THIS INSTANCE OF TIAKO IS FOR PRODUCT-TERM OPTIMIZATION ONLY.

REVISION HISTORY		
DATE	ECO NUMBER	REV
11-15-73	11-201	1

TITLE Q22 BUS MASTER CONTROL MACHINE FLOW DIAGRAM
 DOCUMENT NUMBER DCS M7606-0-59 Rev 3
 SCALE 1/1 SHEET 1 OF 1

THIS DRAWING AND SPECIFICATIONS HEREIN ARE THE PROPERTY OF DIGITAL EQUIPMENT CORPORATION AND SHALL NOT BE REPRODUCED OR COPIED IN WHOLE OR IN PART AS THE BASIS FOR THE MANUFACTURE OR SALE OF ITEMS WITHOUT WRITTEN PERMISSION. COPYRIGHT © 1984 DIGITAL EQUIPMENT CORPORATION.



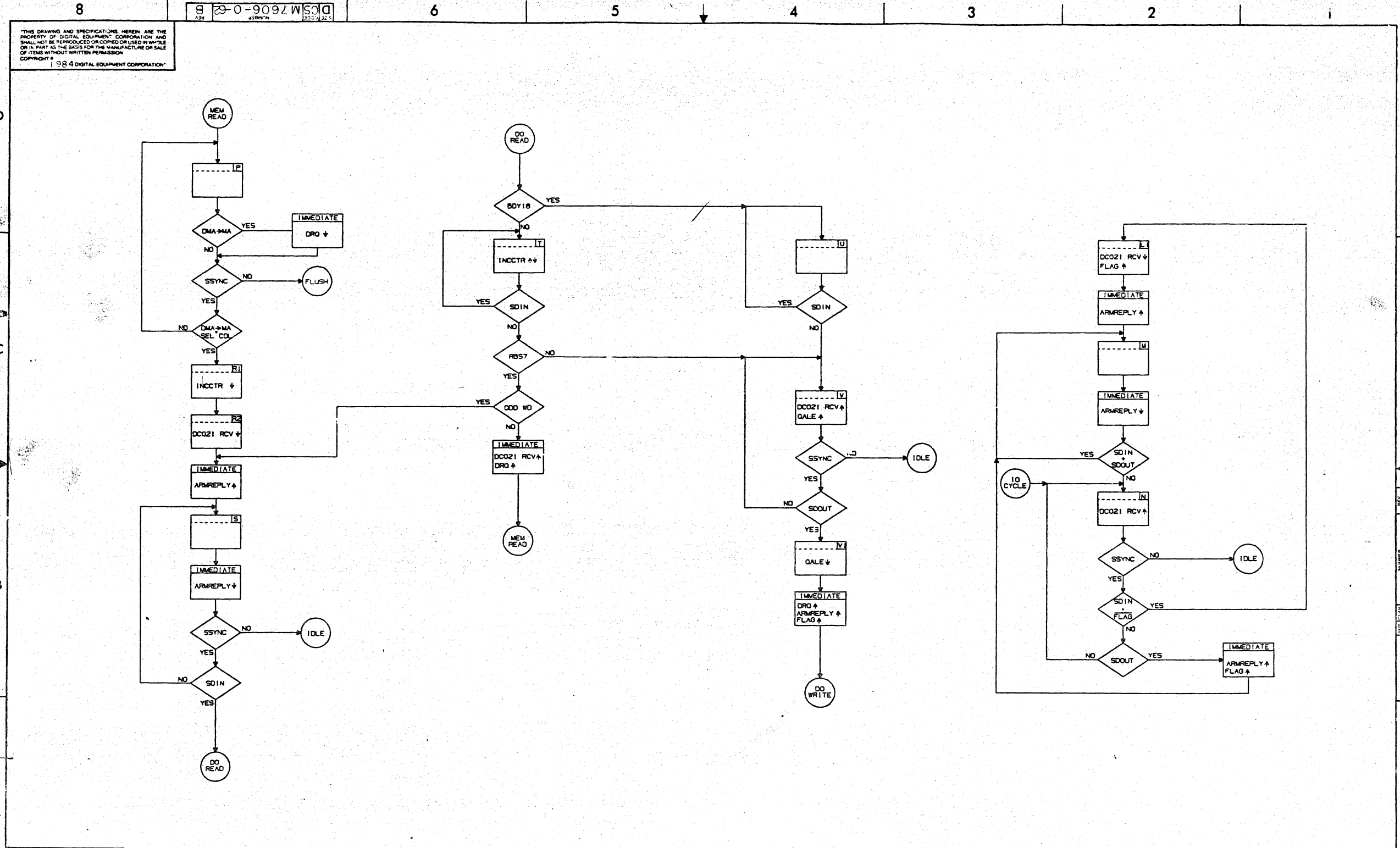
REVISION HISTORY		
DATE	ECO NUMBER	REV
		1

TITLE Q22 BUS SLAVE CONTROL MACHINE FLOW DIAGRAM

DOCUMENT NUMBER DCSM7606-0-61 REV B

SCALE 1/1 SHEET 1 OF 1

THIS DRAWING AND SPECIFICATIONS HEREIN ARE THE PROPERTY OF DIGITAL EQUIPMENT CORPORATION AND SHALL NOT BE REPRODUCED OR COPIED OR USED IN WHOLE OR IN PART AS THE BASIS FOR THE MANUFACTURE OR SALE OF ITEMS WITHOUT WRITTEN PERMISSION. COPYRIGHT © 1964 DIGITAL EQUIPMENT CORPORATION.



REVISION HISTORY		
DATE	ECO NUMBER	REV.

TITLE
Q22 BUS SLAVE CONTROL
MACHINE FLOW DIAGRAM

DOCUMENT NUMBER		
SIZE CODE	NUMBER	REV
DCS	M7606-0-62	E
SCALE	1/1	SHEET / OF /

H	0-0-6298W	DD	B
REV	NUMBER	CODE	SIZE

DRAWING NO.	NO. OF SHTS.	PART NO.	DESCRIPTION	REVISIONS															
				AI	BI	CI	—	—	—	—	—	—	—	—	—	—	—	—	—
		M8639-00	PART REVISION	AI	BI	CI	—	—	—	—	—	—	—	—	—	—	—	—	
		M8639-YA	PART REVISION	—	—	—	AI	—	—	—	BI	—	—	—	—	—	—	—	
		M8639-YB	PART REVISION	—	—	—	—	AI	BI	CI	—	—	—	—	—	—	—	—	
D-UA-M8639-0-0			UNIT ASSEMBLY	A	A	A	A	—	—	—	—	—	—	—	—	—	—	—	
D-UA-M8639-2-1			UNIT ASSEMBLY	—	—	—	—	A	B	C	—	—	—	—	—	—	—	—	
D-CS-M8639-0-1			CIRCUIT SCHEMATIC	A	B	C	D	—	—	—	—	—	—	—	—	—	—	—	
D-CS-M8639-2-1			CIRCUIT SCHEMATIC	—	—	—	—	A	B	B	—	—	—	—	—	—	—	—	
K-PC-M8639-0-DBJ			PC DESIGN DATA BASE	EI	EI	E	E	F	F	F	—	—	—	—	—	—	—	—	
K-PL-M8639-0-DBP			PARTS LIST	A	B	C	D	E	F	H	—	—	—	—	—	—	—	—	
B-DD-5015649-0-0			DRAWING DIRECTORY	A	A	A	A	B	B	B	—	—	—	—	—	—	—	—	
		5015649-01	ETCHED CIRCUIT BOARD	EI	EI	EI	EI	—	—	—	—	—	—	—	—	—	—	—	
		5015649-02	ETCHED CIRCUIT BOARD	—	—	—	—	AI	AI	AI	—	—	—	—	—	—	—	—	

NOTES:

REVISION HISTORY		A	B	C	D	E	F	H
DATE	ECO NO.	INIT	MLOO1	MLOO2	MLOO3	MLOO5	MLOO6	TW007
								6-85

DRN D.GERRY	DATE 6-85	TITLE RDRX CONTROLLER BOARD
CHK'D T.MCCULLOUGH	DATE 6-85	
DES. ENG. R.HULTMAN	DATE 6-85	DOCUMENT NUMBER
RESP. ENG. R.HULTMAN	DATE 6-85	SIZE B DD
MFG. ENG. N.COLLADO	DATE 6-85	NUMBER M8639-0-0
		REV. H

THIS DRAWING AND THE SPECIFICATIONS CONTAINED HEREIN ARE CONFIDENTIAL AND PROPRIETARY. THEY ARE THE PROPERTY OF DIGITAL EQUIPMENT CORPORATION AND SHALL NOT BE REPRODUCED OR COPIED OR USED IN WHOLE OR IN PART AS THE BASIS FOR THE MANUFACTURE OR SALE OF ITEMS WITHOUT WRITTEN PERMISSION. THIS IS AN UNPUBLISHED WORK PROTECTED UNDER THE FEDERAL COPYRIGHT LAWS. 1985



DRB 126C
EN-01242-16-REVA(396)

LINE	ITEM	TOP DOCUMENT	PART NUMBER	MIN REV	DESCRIPTION	QTY PER VARIATION			REFERENCE DESIGNATOR
						00 C1	YA B1	YB C1	
1	1	D-MD-5015649-0-0	5015649-00		CIRCUIT DRILL AND ETCH	1	1	-	
2	2		1000011-00		47.0 MMF 100V 5%200PPM MICA	1	1	1	C27
3	3		1001631-00		390.0 MMF 100V 5%200PPM MICA	1	1	1	C34
4	4		1013466-06		100.0 MMF 50V 5% CER	1	1	1	C43
5	5		1013466-31		15.0 MMF 50V 5% CER	1	1	1	C42
6	6		1014265-00		.22 MFD 50V +80-20% CER	32	32	32	C1-C4,C6-C11,C13-C18,C20-C26, CONT C28-C33,C35,C44,C45
7	7		1017472-00		10 MFD 35V +75-10% AL EL	5	5	5	C5,C12,C19,C36,C37
8	8		1021174-07		.022 MFD 50V 10% CER	1	1	1	C39
9	9		1021174-05		.0015 MFD 100V 10% CER	1	1	1	C41
10	10		1021174-08		.22 MFD 50V 10% CER	1	1	1	C38
11	11		1021174-06		.015 MFD 50V 10% CER	1	1	1	C40
12	12		1103041-00		PIV= 8 IO= 50 MA	6	6	6	D1-D6
13	13		1112689-00		LED .8MCD@16MA VF=5V	4	4	4	D7-D10
14	14		1212385-00		SKT,IC 40PIN DIP GOLD SOLD	1	1	1	XE65
15	15		1213113-01		HANDLE,MODULE,	1	1	1	
16	16		1215006-04		SKT,IC 20PIN DIP TIN SOLD	10	10	10	CONT XE18-XE20,XE33,XE52,XE54, XE68-XE70,XE77
17	17		1215006-07		SKT,IC 28PIN DIP TIN SOLD	2	2	2	XE105,XE106
18	18		1209941-07		PCB,HEADER 50PIN(2X25).100CC 90D	1	1	1	J1
19	19		1216862-04		PCB,HEADER 16POS(2X08).100CC STR	1	1	1	J2
20	20		1216862-05		PCP,HEADER 30POS(2X15) STR	1	1	1	J3
21	21		1218783-00		JUMPER 02POS(1X02).100CC	5	5	-	JA3,JA5,JA6,JA10,JA12
			CONT			-	-	7	JA3,JA5,JA6,JA10,JA12,JB4,JB5
22	22		1219911-01		SKT,IC 24PIN DIP	10	10	10	XE22-XE28,XE48,XE49,XE108
23	23		1300229-00		100.0 .25 W 5.0 % CF	12	12	-	R1-R8,R10,R15,R16,R18
			CONT			-	-	13	R1-R8,R10,R15,R16,R18,R49
24	24		1300316-00		470.0 .25 W 5.0 % CF	5	5	5	R29,R30,R36,R42,R44
25	25		1300365-00		1.0 K .25 W 5.0 % CF	4	4	4	R9,R12-R14
26	26		1301322-00		180.0 .25 W 5.0 % CF	4	4	4	R26,R27,R33,R35

REVISION HISTORY			BASIC PART NO: M8639		DRN:	RITA BUREAU	DATE:	12-MAY-83	DIGITAL			
ENG	ECO NUMBER	REV	SECTION A OF A		CHK'D:	DAVE ZOPF	DATE:	09-MAY-83	TITLE PARTS LIST RDRX CONTROLLER BD.			
---	INITIAL	A	SECTION VARIATION INDEX		DES.ENG:	RICH HULTMAN	DATE:	09-MAY-83	DOCUMENT NUMBER			
RH	M8639-ML001	B	[A]	00, YA, YB	RESP.ENG.:	RICH HULTMAN	DATE:	09-MAY-83	SIZE	CODE	NUMBER	REV
DM	M8639-ML002	C	[B]		MFG.ENG.:	N. COLLADO	DATE:	18-MAY-83	K	PL	M8639-0-DBP	H
RM	M8639-ML003	D	[C]		ASSEMBLY NUMBER:				RELEASE DATE: 10-SEP-85			
RM	M8639-ML005	E	[D]		D-UA-M8639-0-0				TOP DOCUMENT NUMBER:		FILE NAME:	EDIT #
RM	M8639-ML006	F	[E]						B-DD-M8639-0-0		Z5314H.PLS	15
RE	M8639-TW007	H	[F]									
			[H]									
			[J]									
			[K]									
			[L]									
			[M]									
			[N]									

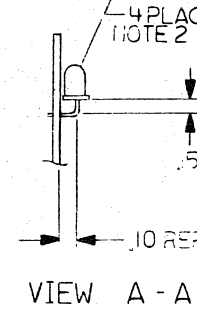
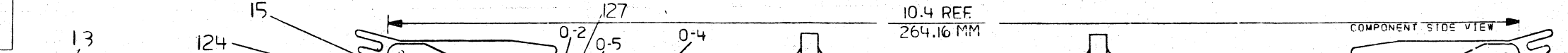
"THIS DRAWING AND THE SPECIFICATIONS CONTAINED HEREIN ARE CONFIDENTIAL AND PROPRIETARY. THEY ARE THE PROPERTY OF DIGITAL EQUIPMENT CORPORATION AND SHALL NOT BE REPRODUCED OR COPIED OR USED IN WHOLE OR IN PART AS THE BASIS FOR THE MANUFACTURE OR SALE OF ITEMS WITHOUT WRITTEN PERMISSION. THIS IS AN UNPUBLISHED WORK PROTECTED UNDER THE FEDERAL COPYRIGHT LAWS."

LINE	ITEM	TOP DOCUMENT	PART NUMBER	MIN REV	DESCRIPTION	QTY PER VARIATION			REFERENCE DESIGNATOR
						00	YA	YB	
VARIATION REVISION LEVEL:						C1	B1	C1	
74	74		1912848-00		LS158 MUX 1 OF 2 (QUAD)	1	1	1	E76
75	75		1912849-00		LS161 COUNTER, SYNCHR, 4BIT	1	1	1	E83
76	76		1912850-00		LS164 SHIFT REG. 8BIT SERI	2	2	-	E9, E112
			CONT			-	-	1	E9
77	77		1912853-00		LS175 FF-D QUAD	2	2	2	E67, E80
78	78		1912863-00		LS273 FF-D OCTAL W/CLEAR	3	3	3	E14, E29, E30
79	79		1913040-00	DC	005 TRANSCEIVER 4BIT	4	4	4	E43, E44, E56, E57
80	80		1913414-00		LS14 INVERTER GATE-HEX SC	1	1	1	E8
81	81		1913474-00		9401 GENERATOR/CHECKER CR	1	1	1	E82
82	82		1913777-00		LS240 DRIVER, LINE, OCTAL, TR	3	3	-	E13, E62, E95
			CONT			-	-	4	E13, E62, E95, E58
83	83		1913839-00		LS165 SHIFT REG., 8BIT	1	1	1	E11
84	84		1914214-00		LS374 FF-D OCTAL EDGE TRIG	8	8	8	E10, E12, E34, E36, E37, E45, E46, E59
85	85		1915123-03		26LS32-3 RECEIVER, LINE RS232	1	1	1	E38
86	86		1915193-00		LS244 DRIVER, LINE, OCTAL, TR	1	1	1	E66
87	87		1915218-00		LS245 TRANSCEIVER, BUS, OCTA	3	3	3	E35, E47, E61
88	88		1915219-00		LS373 FF-D OCTAL-TRANSPARE	1	1	1	E53
89	89		1915234-00		LS390 COUNTER, DECADE, DUAL,	1	1	1	E97
90	90		1915417-00		9638 DRIVER, DUAL, EIA RS-	1	1	1	E42
91	91		1916581-00		347 OP AMP, QUAD, JFET	1	1	1	E124
92	92		1919015-00	DC	021 BUS TRANSCEIVER, 20PI	1	1	1	E32
93	93		1920895-01		LS626 OSCILLATOR, DUAL, VOLT	1	1	1	E107
94	94		1920945-01		2942 PROGRAMMABLE TIMER/C	4	4	4	E50, E51, E63, E64
95	95		1921008-01		74F240 BUFFER/LINE DRIVER, I	2	2	2	E31, E40
96	96		1921314-01		74F74 FF-D, DUAL, POS., EDGE	2	2	-	E73, E86
			CONT			-	-	5	E73, E86, E94, E125, E126
97	97		1921419-01		10H102 NOR GATE, QUAD 2IN	1	1	1	E120
98	98		1921425-01		LS292 DIVIDER/TIMER, PROG.	2	2	2	E99, E113
99	99		1921518-01		LS163 SYNCHRONOUS COUNTER,	4	4	4	E60, E88, E90, E91
100	100		2117311-01		T-11 MICROPROCESSOR W/LSI-	1	1	1	E65
101	101		2117872-02		RAM 2KX8 I/O MUXD 12	2	2	-	E78, E79
102	102		23040K4-00	K4-01		1	1	1	E18
103	103		23041K4-00	K4-01		1	1	1	E33
104	104		23074K3-00	K3-01	PAL REG	1	1	-	E68
105	105		23075K3-00	K3-01	PAL, REG	1	1	1	E69
106	106		23097J5-00	J5-01	PAL, LOGIC	1	1	1	E19
107	107		23098J5-00	J5-01	PAL, LOGIC DRIV	1	1	-	E20
108	108		23099J5-00	J5-01	PAL, LOGIC	1	1	1	E52
109	109		23100J5-00	J5-01	PAL, LOGIC	1	1	1	E54
110	110		23101J5-00	J5-01	PAL, LOGIC	1	1	1	E70
111	111		23102J5-00	J5-01	PAL, LOGIC	1	1	1	E77
112	112		23105D2-00	D2-02		1	1	1	E108
113	113		23238E4-00		*** THIS ITEM IS NOT USED ***	-	-	-	
114	114		23239E4-00		*** THIS ITEM IS NOT USED ***	-	-	-	
115	115		23193F3-00	F3-04		1	1	-	E22
116	116		23194F3-00	F3-04		1	1	-	E23
117	117		23195F3-00	F3-04		1	1	-	E24
118	118		23196F3-00	F3-04		1	1	-	E25

LINE	ITEM	TOP DOCUMENT	PART NUMBER	MIN REV	DESCRIPTION	QTY PER VARIATION			REFERENCE DESIGNATOR
						00	YA	YB	
VARIATION REVISION LEVEL:						C1	B1	C1	
119	119		23197F3-00		F3-04	1	1	-	E26
120	120		23198F3-00		F3-04	1	1	-	E27
121	121		23199F3-00		F3-04	1	1	-	E28
122	122		23200F3-00		F3-04	1	1	-	E48
123	123		23201F3-00		F3-04	1	1	-	E49
124	124		9000024-01		EYELET,ROLLED 0.1210DX0.192	8	8	8	
125	125		9009185-00		JUMPER, WIRE, INSULATED, BLACK B	4	4	4	W1-W4
126	126		9107256-00		TUBING,TEFLON .027ID	A/R	A/R	-	
127	127		9105740-55		WIRE(WRAP) 30AWG KYNAR UL14	A/R	A/R	-	
128	128		1312928-00		51.0 .25 W 5.0 % CF	3	3	3	R19,R20,R28
129	129		1509525-00		2N 3906 PNP 310MW SI 40100 Y	2	2	2	Q1,Q2
130	130		23264E4-00		E4-06,E4-07 ROM	1	-	-	E106
131	131		23265E4-00		E4-06,E4-07 ROM	1	-	-	E105
132	132		23173E5-00		E5-02,E5-03 U	-	1	1	E105
133	133		23172E5-00		E5-02,E5-03 U	-	1	1	E106
134	134		5015649-02		CIRCUIT DRILL AND ETCH	-	-	1	
135	135		1216862-06		PCB,HEADER 02POS(2X01).100CC STR	-	-	2	J4,J5
136	136		1909929-00		7417 BUFFER GATE-HEX 1INP	-	-	1	E127
137	137		1912536-01		7805 VOLT REG,FIX +5V	-	-	1	Z1
138	138		2121384-02		RAM 8KX8,STATIC 150	-	-	2	E78,E79
139	139		23100K3-00		*** THIS ITEM IS NOT USED ***	-	-	-	
140	140		9006010-01		SCREW,MACH PAN PHIL 4-	-	-	1	
141	141		9009990-00		NUT,HEX EXT TOOTH LCKWSHR 4-40	-	-	1	
142	142		23103J5-00		*** THIS ITEM IS NOT USED ***	-	-	-	
143	143		23224F3-00		F3-04	-	-	1	E22
144	144		23225F3-00		F3-04	-	-	1	E23
145	145		23226F3-00		F3-04	-	-	1	E24
146	146		23227F3-00		F3-04	-	-	1	E25
147	147		23228F3-00		F3-04	-	-	1	E26
148	148		23229F3-00		F3-04	-	-	1	E27
149	149		23230F3-00		F3-04	-	-	1	E28
150	150		23231F3-00		F3-04	-	-	1	E48
151	151		23232F3-00		F3-04	-	-	1	E49
152	152		23115K3-00		K3-01 PAL,REG	-	-	1	E68
153	153		23207J5-00		J5-01 PAL,LOGIC	-	-	1	E20
154	154		1922480-B1		74F164 SERIAL IN PARALLEL 0	-	-	1	E112

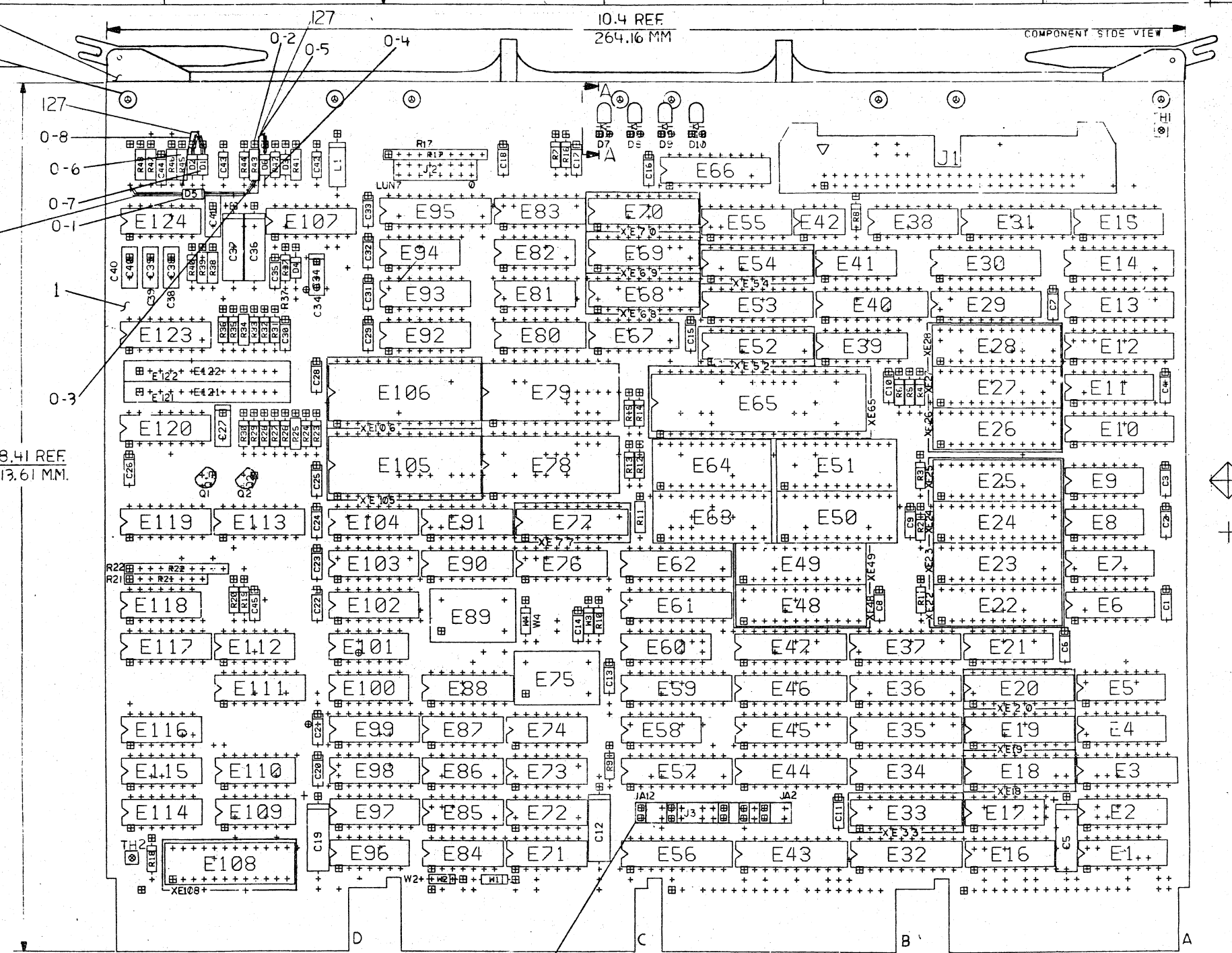
D	I	G	I	T	A	L	TITLE	RDRX CONTROLLER BD.	SECTION A	OF A	SIZE	CODE	DOCUMENT NUMBER	REV
											K	PL	M8639-0-DBP	H

THIS DRAWING AND SPECIFICATIONS HEREIN ARE THE PROPERTY OF DIGITAL EQUIPMENT CORPORATION AND SHALL NOT BE REPRODUCED OR COPIED OR USED IN WHOLE OR IN PART FOR THE DESIGN OF ANY STRUCTURE OR SALE OF ITEMS WITHOUT WRITTEN PERMISSION. COPYRIGHT © 83 DIGITAL EQUIPMENT CORPORATION



- REWORK INSTRUCTIONS
(SEE NOTE 4)
- 0-1 SOLDER ANODE OF D5 TO BOTTOM PTH FOR D5 USE TUBING ITEM*126 ON D5 LEADS (SEE NOTE 3)
 - 0-2 SOLDER TOP LEAD OF R43 TO TOP PTH FOR R43
 - 0-3 SOLDER CATHODE OF D5 TO BOTTOM LEAD OF R43 USE TUBING ITEM*126 ON LEAD(SEE NOTE 3)
 - 0-4 SOLDER ANODE OF D6 TO BOTTOM PTH FOR D6
 - 0-5 SOLDER JUMPER FROM D5, R43 CONNECTION TO CATHODE OF D6 USE TUBING ITEM*126 ON D6 LEAD
 - 0-6 SOLDER TOP LEAD OF R45 TO PTH FOR R45
 - 0-7 SOLDER ANODES OF D1 AND D2 TO THEIR PTH'S SOLDER CATHODES OF D1 AND D2 TOGETHER USE TUBING ITEM * 126 ON LEADS
 - 0-8 SOLDER JUMPER FROM BOTTOM LEAD OF R45 TO CATHODES OF D1 AND D2 USE TUBING ITEM*126 ON BOTTOM LEAD OF R45

8.41 REF
213.61 MM.



- NOTES: 1 JUMPER ITEM 21 TO BE INSERTED AT J3 LOCATIONS JA3, JA5, JA6, JA10, JA12.
2 MOUNT LEDs D7-D10 AS SHOWN.
3 LEADS OF D5 MUST BE OF EQUAL LENGTH
4 LEAD LENGTHS ARE CRITICAL AND SHALL BE KEPT AS SHORT AS POSSIBLE.

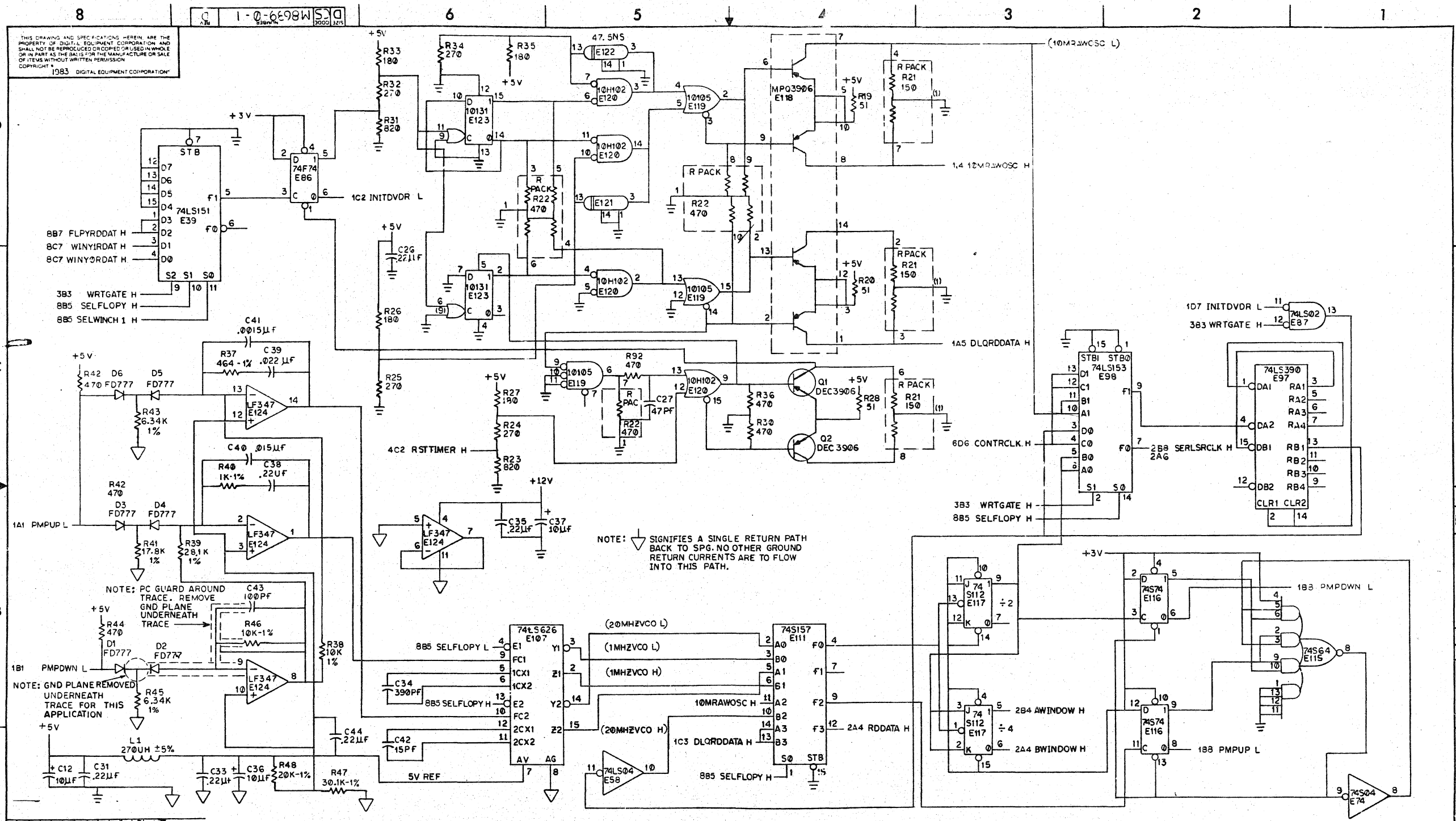
STEP E	↑ Y AXIS	STEP	TIMES
REPEAT	→ X AXIS	STEP	TIMES

CH	NO	REV

5 PLACES
SEE NOTE 1
21

ETCH REV: E1

SIGNATURES		DATE	digital
DRN. <i>Frank Blouin</i>			
CHK'D. <i>...</i>			TITLE
MECH. ENG. <i>...</i>			CONTR. LEA
PROJ. ENG. <i>...</i>			SIZE CODE
SCALE: 1:1			NUMBER
SHT. 1 OF			REV
NEXT HIGHER ASSY: S. 2, M. 3, 2, 0			

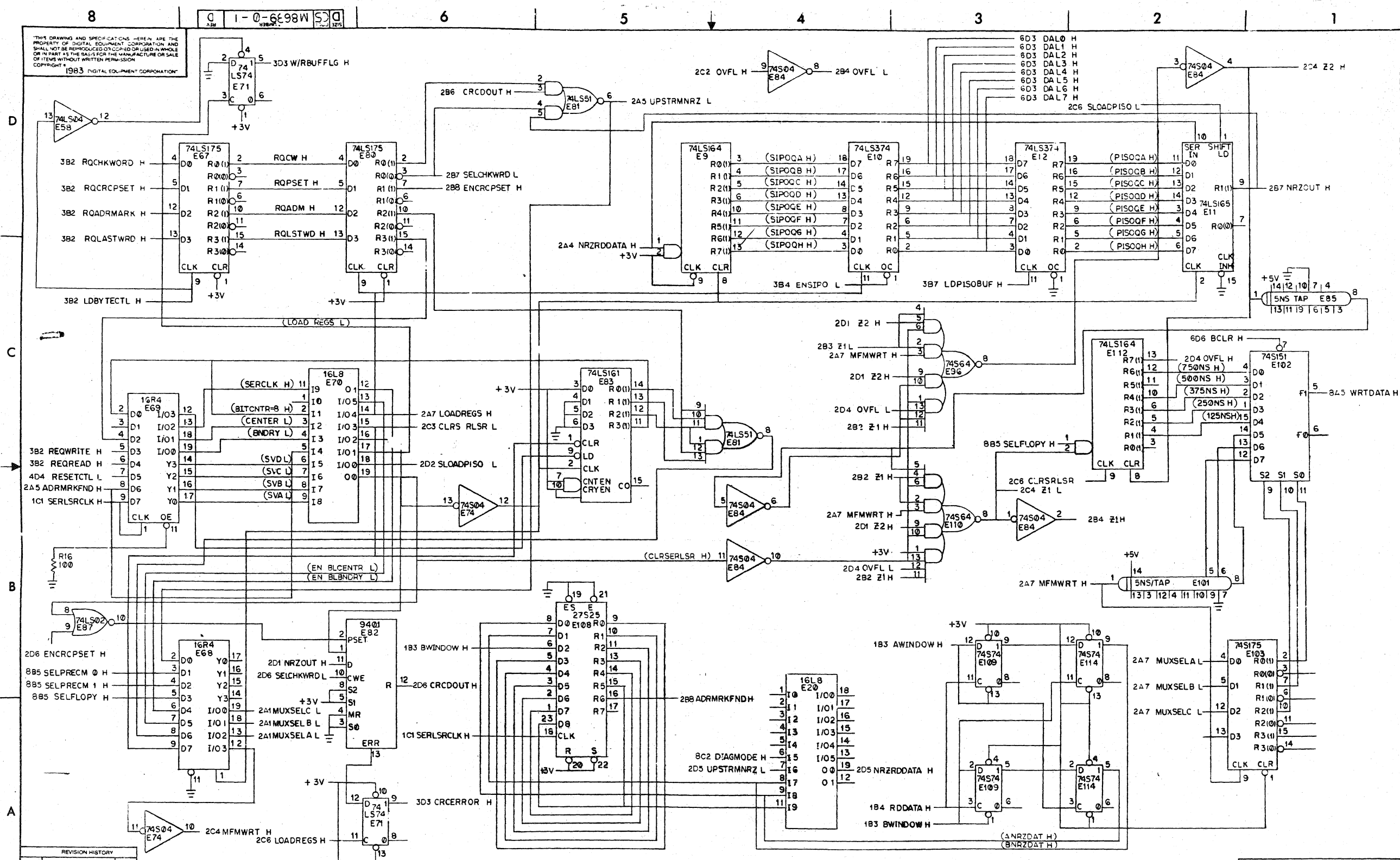


THIS DRAWING AND SPECIFICATIONS HEREIN ARE THE PROPERTY OF DIGITAL EQUIPMENT CORPORATION AND SHALL NOT BE REPRODUCED OR COPIED OR USED IN WHOLE OR IN PART AS THE BASIS FOR THE MANUFACTURE OR SALE OF ITEMS WITHOUT WRITTEN PERMISSION.
 1983 DIGITAL EQUIPMENT CORPORATION

NOTE: ∇ SIGNIFIES A SINGLE RETURN PATH BACK TO SP6. NO OTHER GROUND RETURN CURRENTS ARE TO FLOW INTO THIS PATH.

REV	ECO NUMBER	DATE	BY	CHKD
A	MB639-ML001			
B				
C				
D				

DATE	4-20-73	TITLE	digital
DATE	6-7-73	RDRX CONTROLLER BOARD	
DATE	1-14-73		
DATE	2-14-73		
DATE	6-10-73		
DOCUMENT NUMBER	DCS M8639-0-1		
SCALE		SHEET	1 OF 3

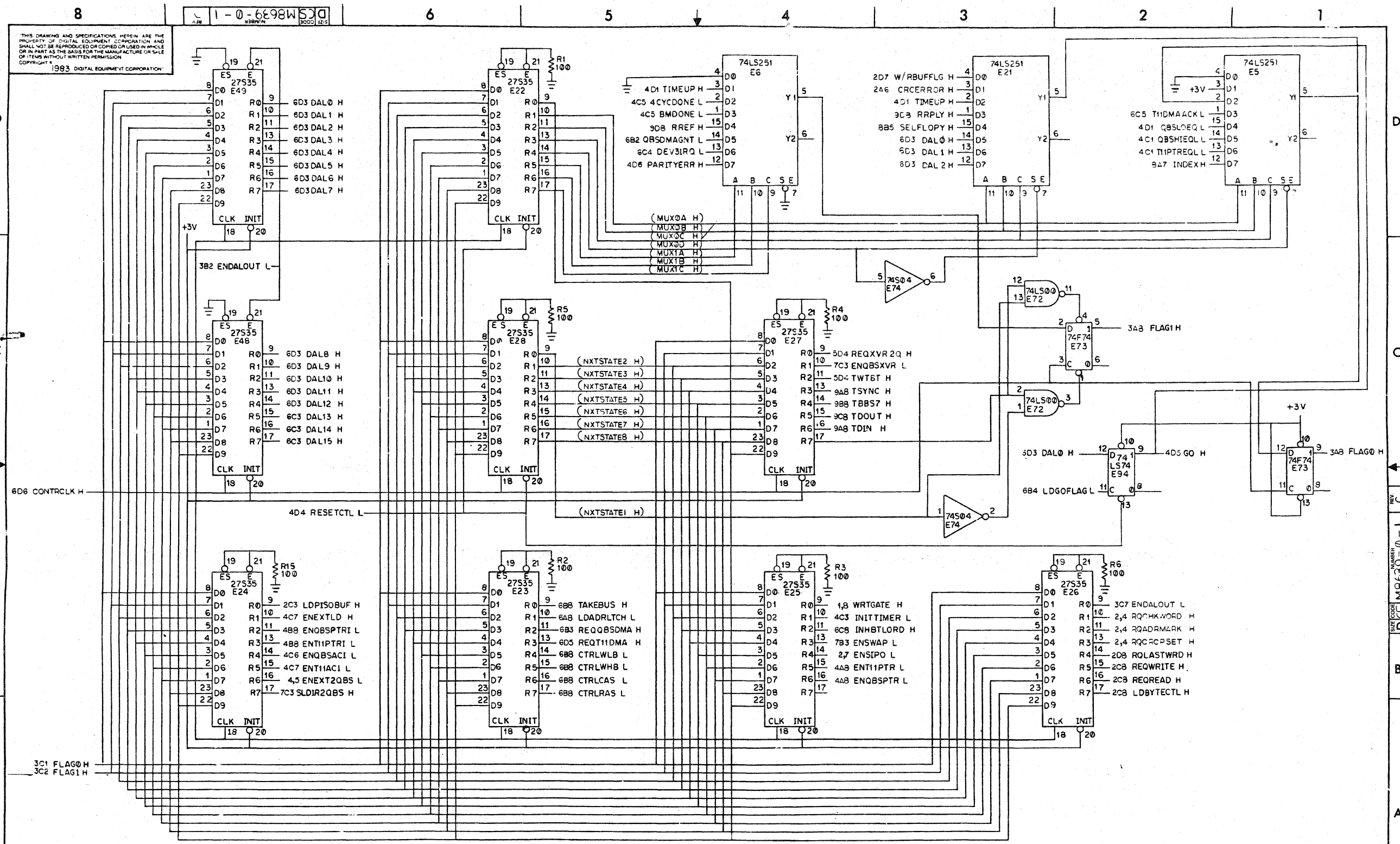


REVISION HISTORY			DOCUMENT NUMBER		
DATE	ECO NUMBER	REV.	SIZE CODE	NUMBER	REV.
			DCS	M8639-0-1	0
			SCALE	SHEET 2	OF 9

8 7 6 5 4 3 2 1

D C

TITLE RDRX CONTROLLER BOARD

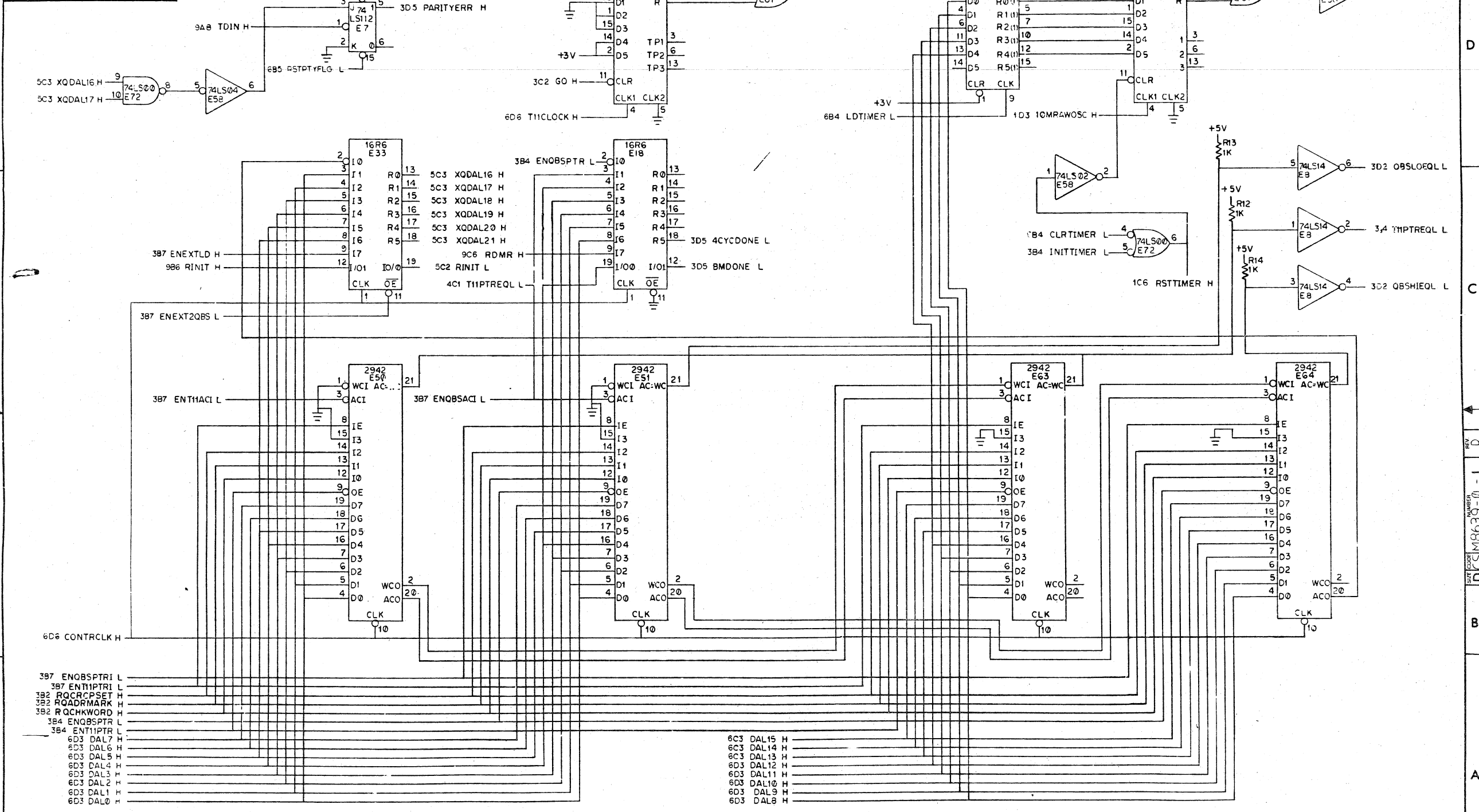


REVISION HISTORY		
DATE	ECC NUMBER	REV

TITLE RDRX CONTROLLER BOARD

SIZE CODE	DOCUMENT NUMBER	REV
DCS	M8639-0-1	1
SCALE	SHEET 3 OF 3	

THIS DRAWING AND SPECIFICATIONS HEREIN ARE THE PROPERTY OF DIGITAL EQUIPMENT CORPORATION AND SHALL NOT BE REPRODUCED OR COPIED OR USED IN WHOLE OR IN PART AS THE BASIS FOR THE MANUFACTURE OR SALE OF ITEMS WITHOUT WRITTEN PERMISSION
COPYRIGHT © 1983 DIGITAL EQUIPMENT CORPORATION



REVISION HISTORY

DATE	ECO NUMBER	REV

TITLE RDRX CONTROLLER BOARD

DOCUMENT NUMBER

SIZE CODE	NUMBER	REV
DCS	MS639-0-1	3
SCALE	SHEET 4	OF 9

REVISION NUMBER
DCS MS639-0-1
REV D

8

1-0-6E98W S D

6

5

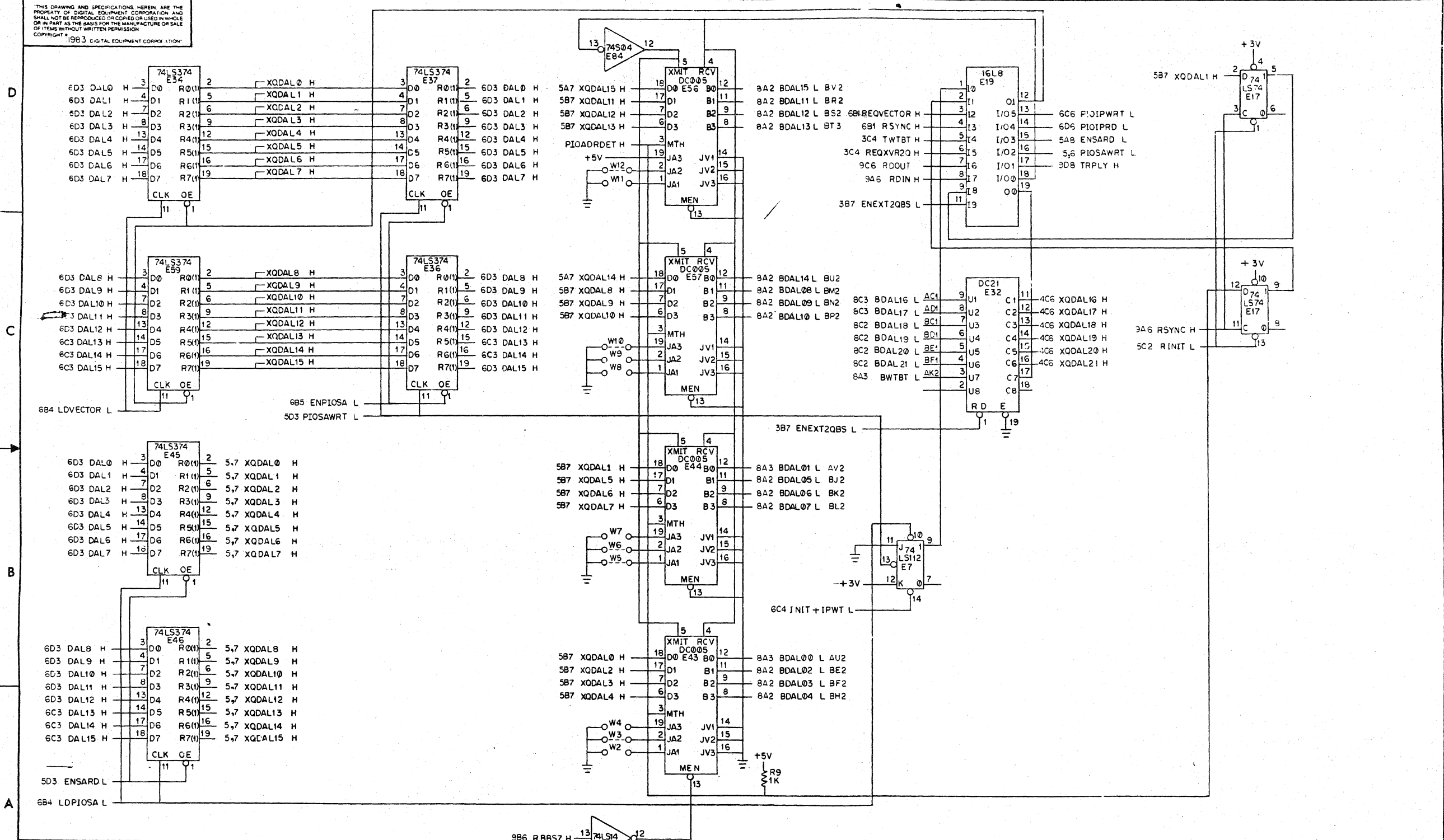
4

3

2

1

THIS DRAWING AND SPECIFICATIONS, HEREIN, ARE THE PROPERTY OF DIGITAL EQUIPMENT CORPORATION AND SHALL NOT BE REPRODUCED OR COPIED OR USED IN WHOLE OR IN PART AS THE BASIS FOR THE MANUFACTURE OR SALE OF ITEMS WITHOUT WRITTEN PERMISSION. COPYRIGHT © 1983 DIGITAL EQUIPMENT CORPORATION.



REVISION HISTORY		
DATE	ECO NUMBER	REV.

TITLE RDRX CONTROLLER BOARD

DOCUMENT NUMBER		
SIZE	CODE	NUMBER
D	CS	M8639-0-1
SCALE	SHEET	5 OF 9

REV D
DCS M8639-0-1

8

7

6

5

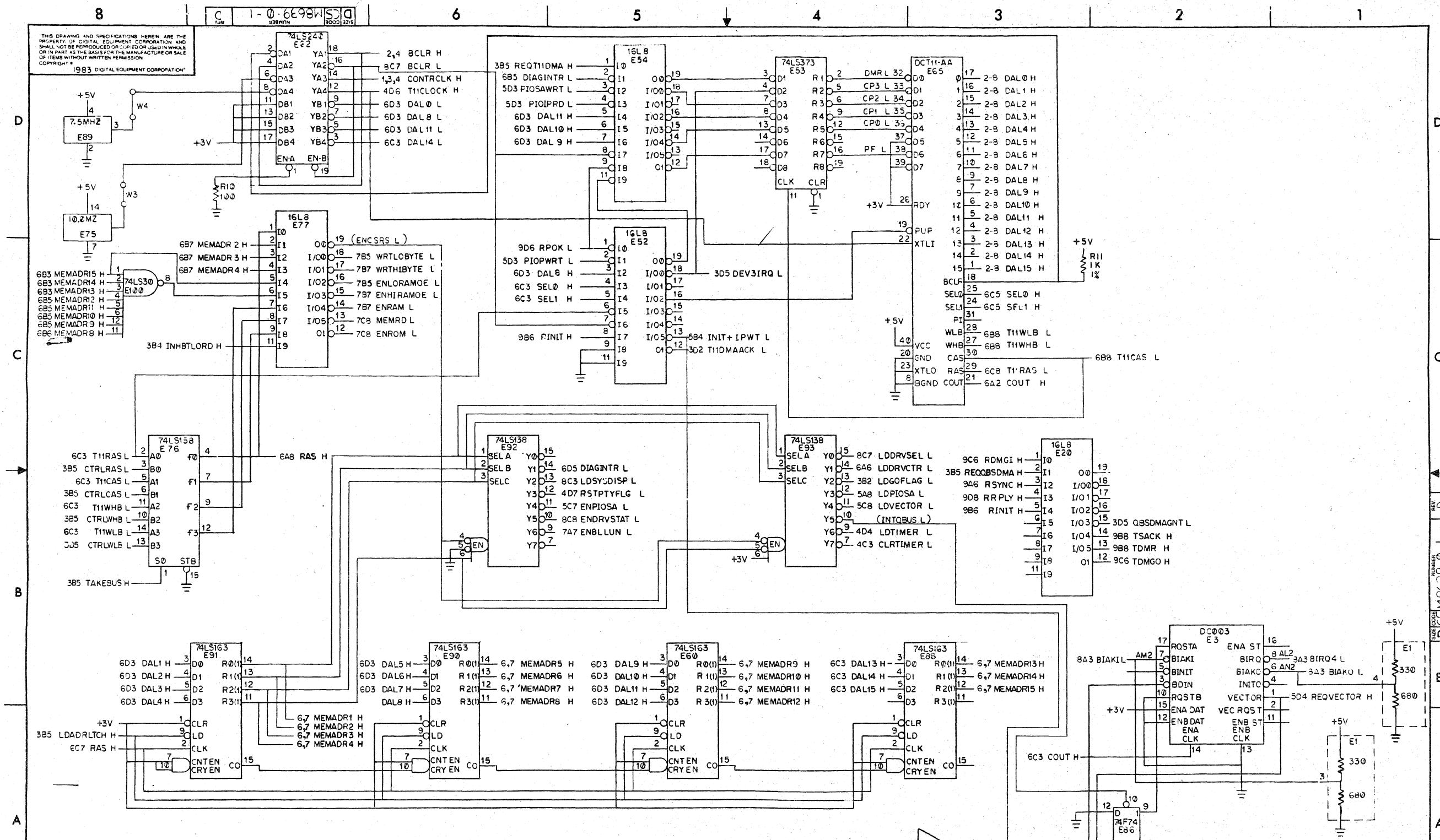
4

3

2

1





REVISION HISTORY		
DATE	ECO NUMBER	REV.

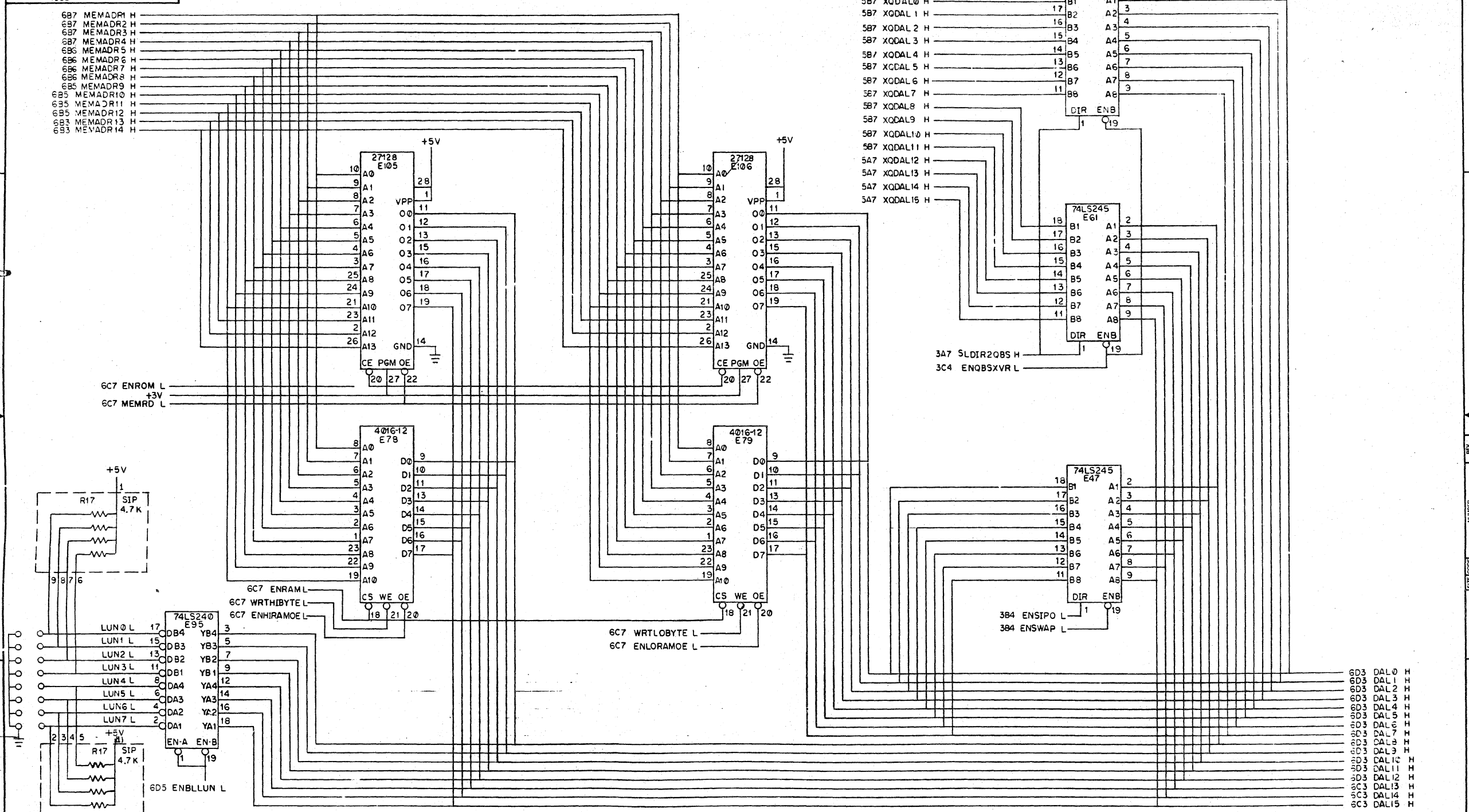
TITLE **RDRX CONTROLLER BOARD**

DOCUMENT NUMBER		
SIZE	CODE	NUMBER
D	C	MS639-0-1
SCALE		SHEET 0 OF 9

DCS M8639-0-1 REV D

8 6 5 4 3 2 1

THIS DRAWING AND SPECIFICATIONS HEREIN ARE THE PROPERTY OF DIGITAL EQUIPMENT CORPORATION AND SHALL NOT BE REPRODUCED OR COPIED OR USED IN WHOLE OR IN PART AS THE BASIS FOR THE MANUFACTURE OR SALE OF ITEMS WITHOUT WRITTEN PERMISSION OF DIGITAL EQUIPMENT CORPORATION.
 1983 DIGITAL EQUIPMENT CORPORATION

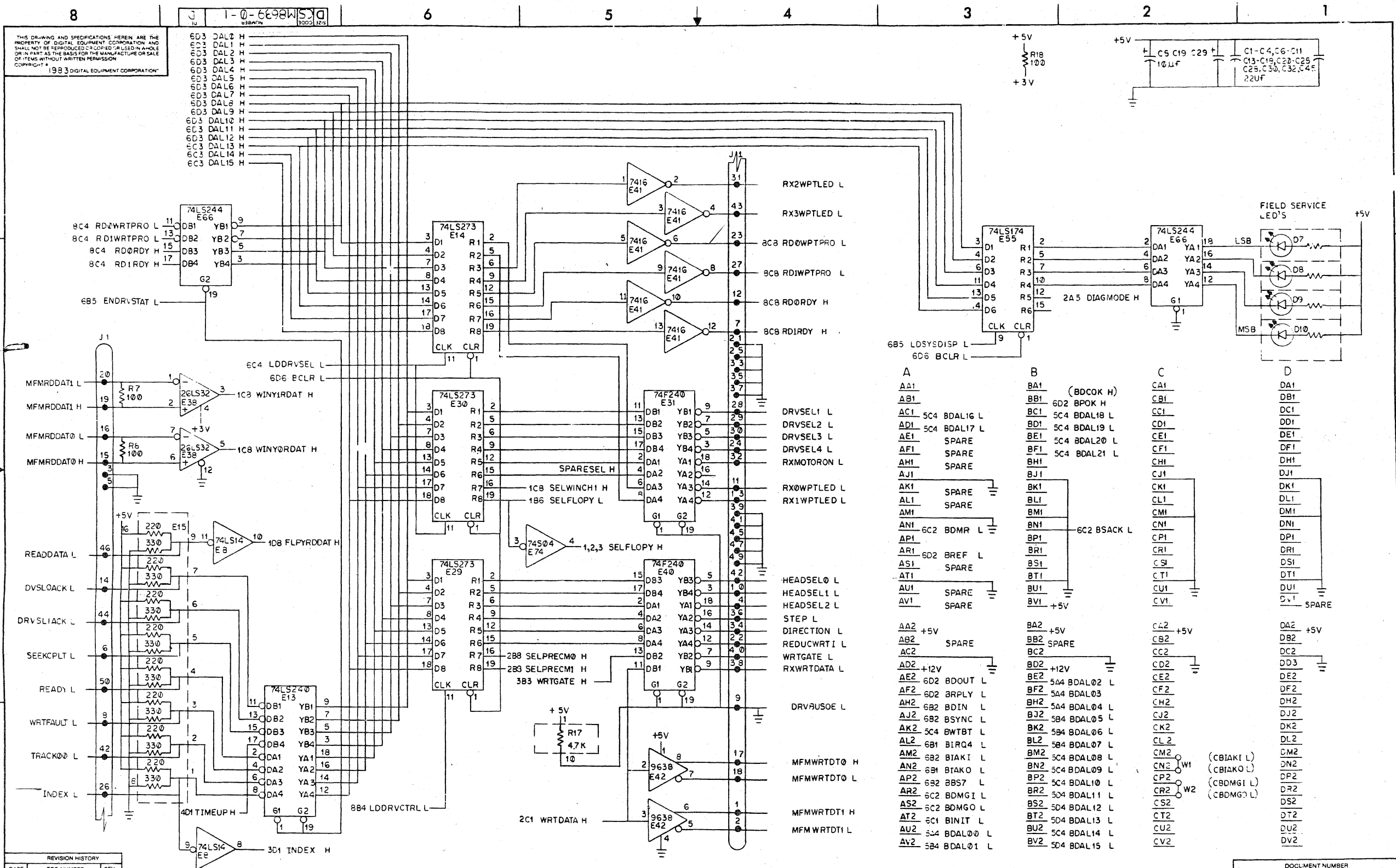


REVISION HISTORY		
DATE	ECO NUMBER	REV

TITLE RDRX CONTROLLER BOARD
 DOCUMENT NUMBER DCS M8639-0-1
 SCALE SHEET 7 OF 3

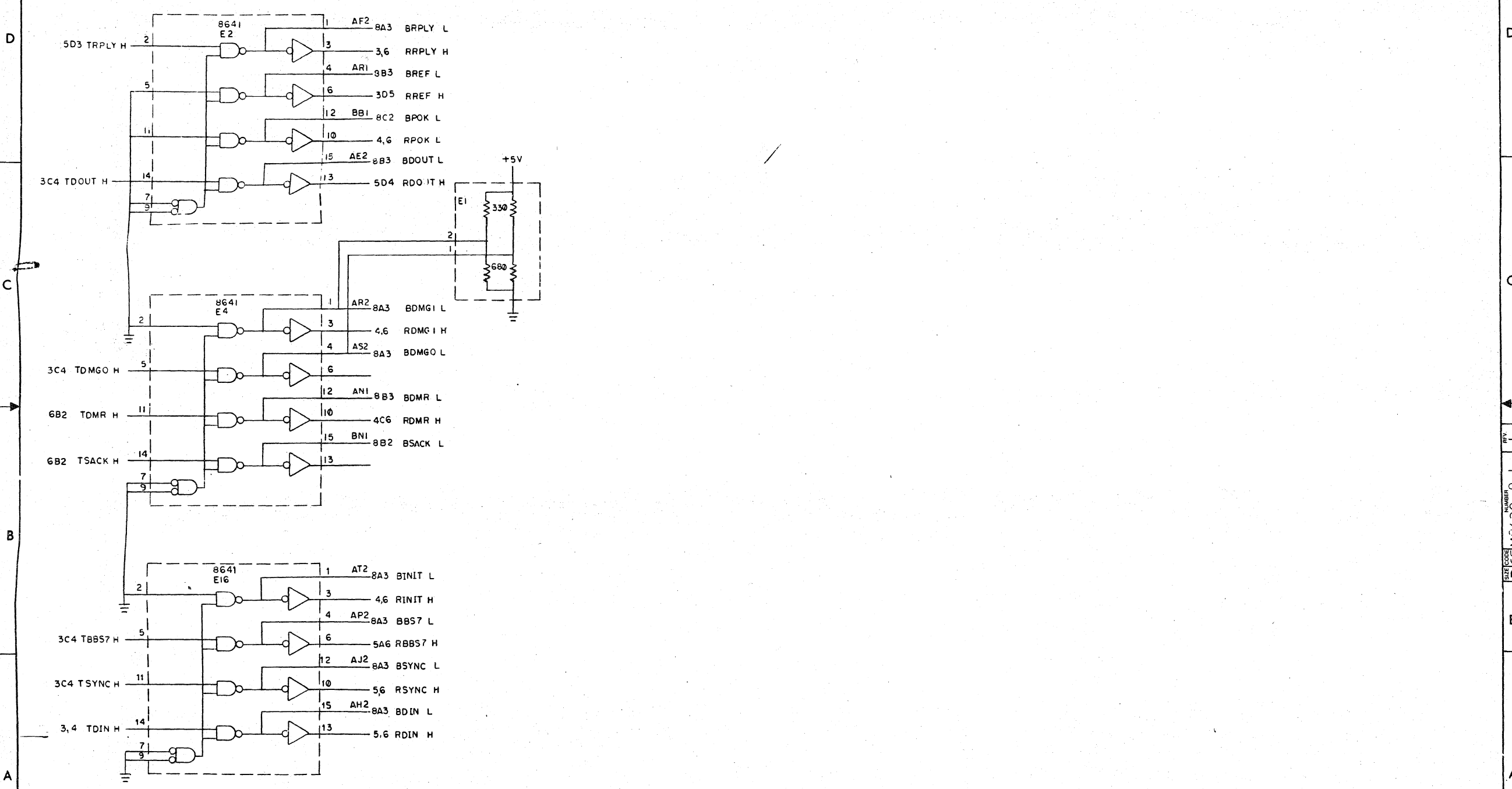
8 7 6 5 4 3 2 1

REV. DCS M8639-0-1



A	B	C	D
AA1	BA1 (BDCOK H)	CA1	DA1
AB1	BB1 6D2 BPOK H	CB1	DB1
AC1 5C4 BDAL16 L	BC1 5C4 BDAL18 L	CC1	DC1
AD1 5C4 BDAL17 L	BD1 5C4 BDAL19 L	CD1	DD1
AE1 SPARE	BE1 5C4 BDAL20 L	CE1	DE1
AF1 SPARE	BF1 5C4 BDAL21 L	CF1	DF1
AH1 SPARE	BH1	CH1	DH1
AJ1 SPARE	BJ1	CJ1	DJ1
AK1 SPARE	BK1	CK1	DK1
AL1 SPARE	BL1	CL1	DL1
AM1	BM1	CM1	DM1
AN1 6C2 BDMR L	BN1 6C2 BSACK L	CN1	DN1
AP1	BP1	CP1	DP1
AR1 6D2 BREF L	BR1	CR1	DR1
AS1 SPARE	BS1	CS1	DS1
AT1 SPARE	BT1	CT1	DT1
AU1 SPARE	BU1	CU1	DU1
AV1 SPARE	BV1 +5V	CV1	DV1 SPARE
AA2 +5V	BA2 +5V	CA2 +5V	DA2 +5V
AB2 SPARE	BB2 SPARE	CB2	DB2
AC2	BC2	CC2	DC2
AD2 +12V	BD2 +12V	CD2	DD2
AE2 6D2 BDOU L	BE2 5A4 BDAL02 L	CE2	DE2
AF2 6D2 BRPLY L	BF2 5A4 BDAL03 L	CF2	DF2
AH2 6B2 BDIN L	BH2 5A4 BDAL04 L	CH2	DH2
AJ2 6B2 BSYNC L	BJ2 5B4 BDAL05 L	CJ2	DJ2
AK2 5C4 BWTBT L	BK2 5B4 BDAL06 L	CK2	DK2
AL2 6B1 BIRQ4 L	BL2 5B4 BDAL07 L	CL2	DL2
AM2 6B2 BIAKI L	BM2 5C4 BDAL08 L	CM2	DM2
AN2 6B1 BIAKO L	BN2 5C4 BDAL09 L	CN2 W1 (CBIAKI L)	DN2 (CBIAKO L)
AP2 6B2 BBS7 L	BP2 5C4 BDAL10 L	CP2	DP2 (CBDMGI L)
AR2 6C2 BDMGI L	BR2 5D4 BDAL11 L	CR2 W2 (CBDMGI L)	DR2
AS2 6C2 BDMGO L	BS2 5D4 BDAL12 L	CS2	DS2
AT2 6C1 BINIT L	BT2 5D4 BDAL13 L	CT2	DT2
AU2 5C4 BDAL00 L	BU2 5C4 BDAL14 L	CU2	DU2
AV2 5B4 BDAL01 L	BV2 5D4 BDAL15 L	CV2	DV2

THIS DRAWING AND SPECIFICATIONS HEREIN ARE THE PROPERTY OF DIGITAL EQUIPMENT CORPORATION AND SHALL NOT BE REPRODUCED OR COPIED OR USED IN WHOLE OR IN PART AS THE BASIS FOR THE MANUFACTURE OR SALE OF ITEMS WITHOUT WRITTEN PERMISSION. COPYRIGHT © 1983 DIGITAL EQUIPMENT CORPORATION.



REVISION HISTORY		
DATE	ECO NUMBER	REV.

TITLE
RDRX CONTROLLER
BOARD

DOCUMENT NUMBER		
SIZE CODE	NUMBER	REV.
D	CS MB639-0-1	D
SCALE	SHEET 9	OF 9

REV. 1
NUMBER
DCS MB639-0-1

DRAWING NO.	NO OF SHTS.	PART NO.	DESCRIPTION	REVISIONS															
				A1	B1														
		M9047-00	GRANT CONTINUITY	A1	B1														
D-UA-M9047-0-0	1		GRANT CONTINUITY UNIT ASSEMBLY	A	B														
D-CS-M9047-0-1	1		GRANT CONTINUITY SCHEMATIC	A	A														
K-PL-M9047-0-DBP	1		GRANT CONTINUITY PARTS LIST	A	B														
K-PC-M9047-0-DBF			P.C. DESIGN DATA BASE	A	B														
		5016679-01	ETCHED CIRCUIT BOARD	A1	B1														
B-DD-5016679-0-0			DRAWING DIRECTORY	A	B														

NOTES:

REVISION HISTORY		DATE	ECO NO.	REV.
		11/84	INIT	A
		5/85	MLOOI	B

THIS DRAWING AND THE SPECIFICATIONS CONTAINED HEREIN ARE CONFIDENTIAL AND PROPRIETARY. THEY ARE THE PROPERTY OF DIGITAL EQUIPMENT CORPORATION AND SHALL NOT BE REPRODUCED OR COPIED OR USED IN WHOLE OR IN PART AS THE BASIS FOR THE MANUFACTURE OR SALE OF ITEMS WITHOUT WRITTEN PERMISSION. THIS IS AN UNPUBLISHED WORK PROTECTED UNDER THE FEDERAL COPYRIGHT LAWS. 1984



DRN. BARRY CORMIER	DATE 11/9/84	TITLE	
CHK'D J. CUNNINGHAM	DATE 11/9/84	GRANT CONTINUITY	
DES. ENG. R. LEAZER	DATE 11/14/84	DOCUMENT NUMBER	
RESP. ENG. R. LEAZER	DATE 11/14/84	SIZE B	CODE DD
MFG. ENG. A. BROOKS	DATE 11/14/84	NUMBER M9047-0-0	
		REV. B	
		SHEET 1 OF 1	

THIS DRAWING AND SPECIFICATIONS, HEREIN AND THE PROPERTY OF DIGITAL EQUIPMENT CORPORATION AND SHALL NOT BE REPRODUCED OR COPIED OR USED IN WHOLE OR IN PART AS THE BASIS FOR THE MANUFACTURE OR SALE OF ITEMS WITHOUT WRITTEN PERMISSION. COPYRIGHT © DIGITAL EQUIPMENT CORPORATION 1985

8 0 - 0 - 27061 UN 2

2 (QTY. 4) 3 5137 REF 129.54 M.M. COMPONENT SIDE VIEW

3.41 REF 213.36 M.M.

NOTES:

STEP E	+ Y AXIS	STEP	TIMES
REPEAT	+ X AXIS	STEP	TIMES

CHANGE NO	REV	DATE	BY
MS047M001	B		
DESIGNED BY	DATE	BY	
R. LEAZER			
1/27/85			

ETCH REV.	B1-P2
-----------	-------

SIGNATURES		DATE	digital
DRN. E. LANDRY		4/29/85	
CHK'D. A. [Signature]		5-2-85	
MECH. ENG. [Signature]		5-10-85	
PROJ. ENG. [Signature]		5-10-85	
SCALE 2/1		SIZE CODE	NUMBER
SHT. 1 OF 1		D UA	M9047-0-0
NEXT HIGHER ASSY. B-00-M9047-0-0			REV B

1 MS# 2754cc

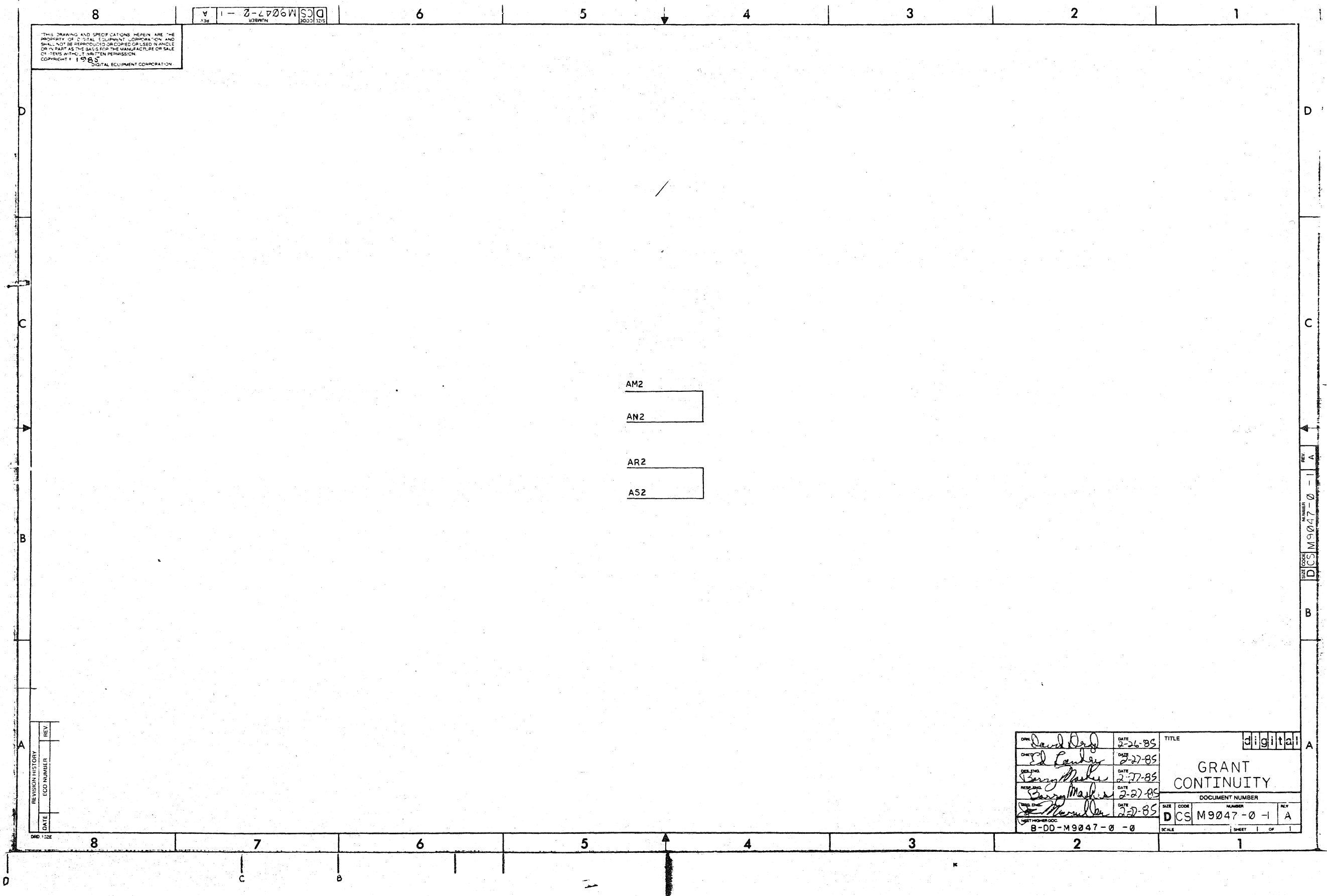
8 7 6 5 4 3 2 1
 DCS M9047-0-1 A
 SIZE CODE NUMBER REV

THIS DRAWING AND SPECIFICATIONS HEREIN ARE THE PROPERTY OF DIGITAL EQUIPMENT CORPORATION AND SHALL NOT BE REPRODUCED OR COPIED OR USED IN WHOLE OR IN PART AS THE BASIS FOR THE MANUFACTURE OR SALE OF ITEMS WITHOUT WRITTEN PERMISSION.
 COPYRIGHT © 1985 DIGITAL EQUIPMENT CORPORATION

AM2
 AN2
 AR2
 AS2

DATE	ECO NUMBER	REV

DATE	2-26-85	TITLE	digital
CHKD BY	<i>Ed Conroy</i>	DATE	2-27-85
DESIGN	<i>Berry Markie</i>	DATE	2-27-85
REVISION	<i>Berry Markie</i>	DATE	2-27-85
FILED BY	<i>Merrill</i>	DATE	2-27-85
B-00-M9047-0-0		SCALE	SHEET 1 OF 1
SIZE CODE	DCS	NUMBER	M9047-0-1
REV	A	DOCUMENT NUMBER	
GRANT CONTINUITY			

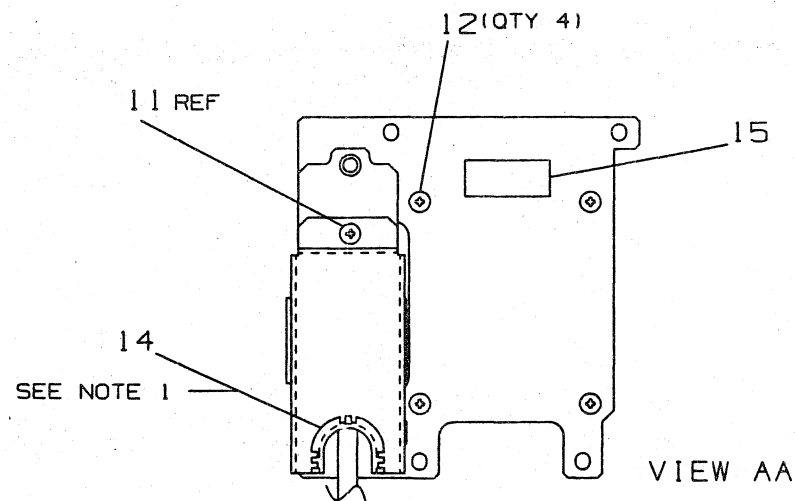
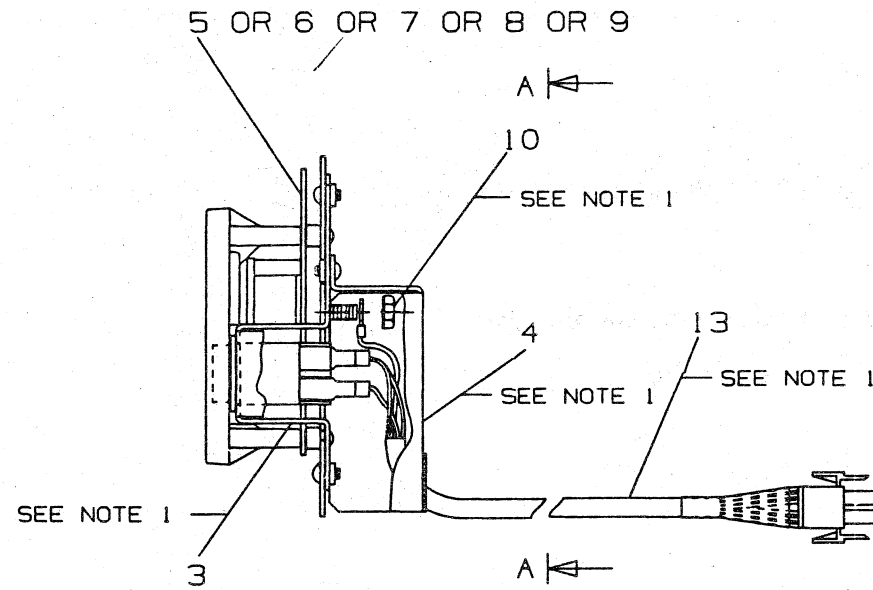
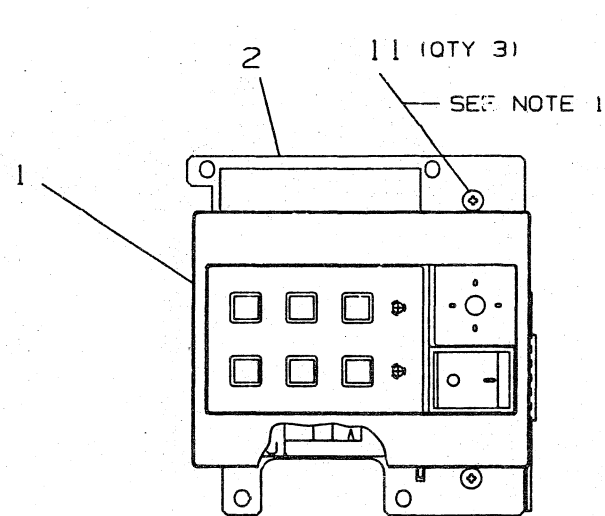


*THIS DRAWING AND THE SPECIFICATIONS CONTAINED HEREIN ARE CONFIDENTIAL AND PROPRIETARY. THEY ARE THE PROPERTY OF DIGITAL EQUIPMENT CORPORATION AND SHALL NOT BE REPRODUCED OR COPIED OR USED IN WHOLE OR IN PART AS THE BASIS FOR THE MANUFACTURE OR SALE OF ITEMS WITHOUT WRITTEN PERMISSION. THIS IS AN UNPUBLISHED WORK PROTECTED UNDER THE FEDERAL COPYRIGHT LAWS. 1984

LEGEND			LEGEND		
PART NO.	REV	VARIATION	PART NO.	REV	VARIATION
7022007-01	AI	5416458-01 + CABLE	7022007-06	AI	5416458-01, NO CABLE
7022007-02	AI	5416458-02 + CABLE	7022007-07	AI	5416458-02, NO CABLE
7022007-03	AI	5416458-03 + CABLE	7022007-08	AI	5416458-03, NO CABLE
7022007-04	AI	5416458-04 + CABLE	7022007-09	AI	5416458-04, NO CABLE
7022007-05	AI	5416458-05 + CABLE	7022007-10	AI	5416458-05, NO CABLE

NOTES:

- ITEMS 3,4,10,11,13,14 ARE NOT USED ON VARIATIONS -06 THRU -10
- REFER TO 7022007-0-DBF FOR MORE INFORMATION



FILENAME: 7022007-0-DBUJA

CAUTION: OFF SHEET PARTS LISTS EXISTS REFER TO K-PL-7022007-0-DBP (Z9980)

REV.	CHG.	NO.	INITIAL
1			

DESCRIPTION	DRAWING NO.	PART NO.	ITEM NO.
UNLESS OTHERWISE SPECIFIED DIMENSIONS ARE IN INCHES AND THE FOLLOWING TOLERANCES APPLY (PER DEC STD 114)			
DIMENSION RANGE IN INCHES			
INCHES TOLERANCES	ANGLES ± 30°	APPLICABLE DIMENSION RANGE	OVER 0 TO 0.2
			OVER 0.2 TO 1.2
			OVER 1.2 TO 3.0
			OVER 3.0 TO 12.0
			OVER 12.0 TO 40.0
			OVER 40.0 TO 80.0
QUANTITY & VARIATION	SURFACE QUALITY	FINISH	SCALE
.X1 ± .1			1:1
.XX1 ± .02			
.XXX1 ± .005			
THIRD ANGLE PROJECTION	DRN M. CONNELL	DATE 6-JUN-84	TITLE digital
DO NOT SCALE DRAWING	CHK'D D. HEALY	DATE 6-DEC-84	CONTROL PANEL ASSY
REMOVE BURRS AND BREAK SHARP CORNERS	DES. ENG. E. REDNER	DATE 6-JUN-84	DOCUMENT NUMBER
MATERIAL	RESP. ENG. E. REDNER	DATE 6-JUN-84	SIZE CODE NUMBER
SEE PARTS LIST	MFG. ENG. R. BELIVEAU	DATE 6-DEC-84	D AD 7022007-0-DBU A
FINISH //	TOP OFF.	D-AD-7022007-0-0	SCALE 1/1 SHEET 1 OF 1

LINE	ITEM	TOP DOCUMENT	PART NUMBER	MIN REV	DESCRIPTION	QTY PER VARIATION									
						01	02	03	04	05	06	07	08	09	10
						A1	A1	A1	A1	A1	A1	A1	A1	A1	A1
1	1	E-MD-7430282-0-DBU	7430282-01	A	PANEL,CONTROL	1	1	1	1	1	1	1	1	1	1
2	2	C-IA-7428657-0-DBU	7428657-01		PLATE, CONTROL PANEL	1	1	1	1	1	1	1	1	1	1
3	3	D-IA-7427565-0-DBU	7427565-01	-	BRACKET,AC SWITCH	1	1	1	1	1	-	-	-	-	-
4	4	C-MD-7428424-0-DBU	7428424-01		SHIELD,AC BRACKET	1	1	1	1	1	-	-	-	-	-
5	5	B-DD-5416458-0-0	5416458-01		BA23 FRONT PANEL	1	-	-	-	-	1	-	-	-	-
6	6	B-DD-5416458-0-0	5416458-02		BA23 FRONT PANEL W 2 RD,HALT & R	-	1	-	-	-	-	1	-	-	-
7	7	B-DD-5416458-0-0	5416458-03		BA23 FRONT PANEL WITH 2 RD,NO HA	-	-	1	-	-	-	-	1	-	-
8	8	B-DD-5416458-0-0	5416458-04		BA23 FRONT PANELWITH 1 RD,NO HAL	-	-	-	1	-	-	-	-	1	-
9	9	B-DD-5416458-0-0	5416458-05		BA23 FRONT PANEL WITH DC OK ONLY	-	-	-	-	1	-	-	-	-	1
10	10		9006565-00	C	NUT,HEX EXT TOOTH LCKWSHR 10-32	1	1	1	1	1	-	-	-	-	-
11	11		90'0155-00	A	SCREW,SEMS PAN PHIL 6-	3	3	3	3	3	-	-	-	-	-
12	12		9009800-00	E	SCREW,TAP PAN PHIL THD RL 6-	4	4	4	4	4	4	4	4	4	4
13	13	D-IA-7020434-0-DBU	7020434-01		CABLE, AC ON/OFF POWER	1	1	1	1	1	-	-	-	-	-
14	14		9007035-00	B	GROMMET,CATERPILLAR POLYAMIDE	A/R	A/R	A/R	A/R	A/R	-	-	-	-	-
15	15		9009255-04	A	LABEL,P/N,REV,MFG	1	1	1	1	1	1	1	1	1	1
16	16		9905016-07	F	CARTON,DIE CUT W/FOAM,B	A/R	A/R	A/R	A/R	A/R	A/R	A/R	A/R	A/R	A/R

70-20695-01 - Whole Panel Assy.

REVISION HISTORY			BASIC PART NO: 7022007			DRN: M. CONNELL		DATE: 04-DEC-84		D I G I T A L				
ENG	ECO NUMBER	REV	SECTION A OF A			CHK'D: D. HEALY		DATE: 06-DEC-84		TITLE PARTS LIST CONTROL PANEL ASSY				
---	INITIAL	A	SECTION VARIATION INDEX [A]01,02,03,04,05,06, 07,08,09,10			DES.ENG: E. REDNER		DATE: 04-DEC-84		DOCUMENT NUMBER				
			[B]			RESP.ENG.: E. REDNER		DATE: 04-DEC-84		K	PL	7022007-0-DBP	A	
			[C]			MFG.ENG.: R. BELIVEAU		DATE: 04-DEC-84		RELEASE DATE: 07-DEC-84				
			[D]			ASSEMBLY NUMBER:		TOP DOCUMENT NUMBER:		FILE NAME:		EDIT #		
			[E]			D-AD-7022007-0-DBU		K-PL-7022007-0-DBP		Z9980A.PLS		5		
			[F]											

"THIS DRAWING AND THE SPECIFICATIONS CONTAINED HEREIN ARE CONFIDENTIAL AND PROPRIETARY. THEY ARE THE PROPERTY OF DIGITAL EQUIPMENT CORPORATION AND SHALL NOT BE REPRODUCED OR COPIED OR USED IN WHOLE OR IN PART AS THE BASIS FOR THE MANUFACTURE OR SALE OF ITEMS WITHOUT WRITTEN PERMISSION. THIS IS AN UNPUBLISHED WORK PROTECTED UNDER THE FEDERAL COPYRIGHT LAWS."

DRAWING NO.	NO. OF SHTS.	PART NO.	DESCRIPTION	REVISIONS															
				A1	A2														
		5416458-01	PART REVISION																
D-UA-5416458-0-0	1		BA23 FRONT PANEL	A	B														
D-CS-5416458-0-1	1		BA23 FRONT PANEL	A	A														
K-PL-5416458-0-DBP	3		BA23 FRONT PANEL	A	B														
K-PC-5416458-0-DBA			PC DESIGN DATA BASE	A	A														
		5016457-01	ETCHED CIRCUIT BOARD	C1	C1														
B-DD-5016457-0-0	1		DRAWING DIRECTORY	A	A														

NOTES:

REVISION HISTORY		REV.															
DATE	ECO NO.																
4-84	INIT	A															
12-84	TWOI	B															

THIS DRAWING AND THE SPECIFICATIONS CONTAINED HEREIN ARE CONFIDENTIAL AND PROPRIETARY. THEY ARE THE PROPERTY OF DIGITAL EQUIPMENT CORPORATION AND SHALL NOT BE REPRODUCED OR COPIED OR USED IN WHOLE OR IN PART AS THE BASIS FOR THE MANUFACTURE OR SALE OF ITEMS WITHOUT WRITTEN PERMISSION. THIS IS AN UNPUBLISHED WORK PROTECTED UNDER THE FEDERAL COPYRIGHT LAWS. 1984

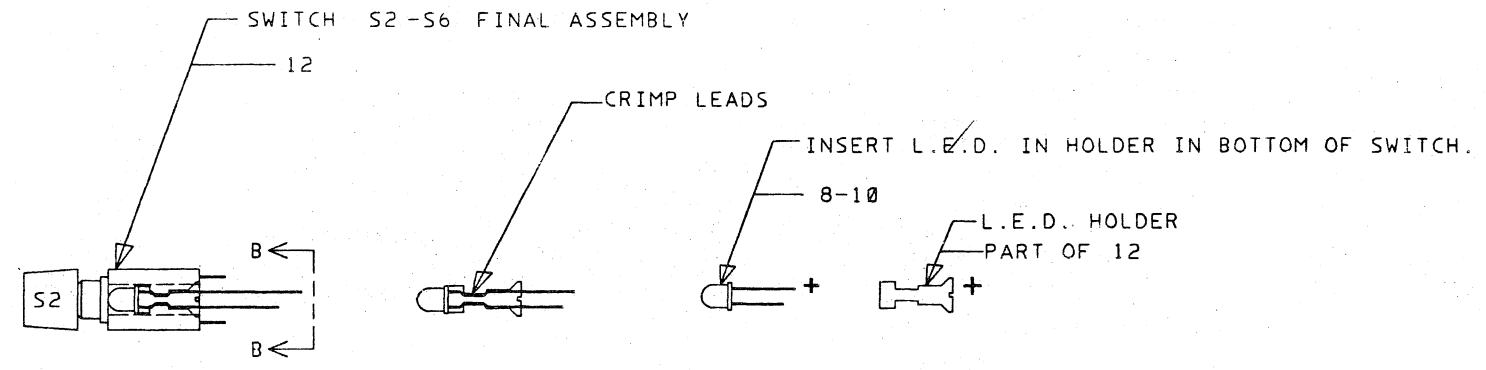


DRN. P. LENNON	DATE 04-10-84	TITLE	
CHK'D R. BARRIERE	DATE 04-10-84	BA23 FRONT PANEL	
DES. ENG. D. MILLER	DATE 04-10-84	DOCUMENT NUMBER	
RESP. ENG. A. DELUCA	DATE 04-10-84	SIZE B	CODE DD
MFG. ENG. R. BELIVEAU	DATE 04-10-84	NUMBER 5416458-0-0	REV. B
		SHEET 1 OF 1	

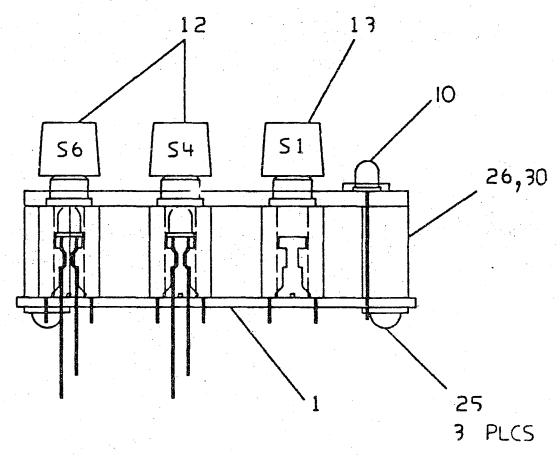
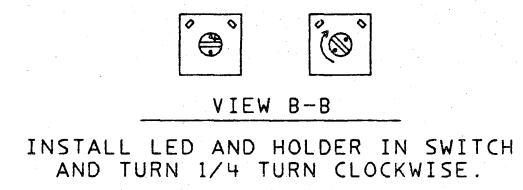
TW

THIS DRAWING AND SPECIFICATIONS HEREBY ARE THE PROPERTY OF DIGITAL EQUIPMENT CORPORATION AND SHALL NOT BE REPRODUCED OR COPIED OR USED IN WHOLE OR IN PART AS THE BASIS FOR THE MANUFACTURE OR SALE OF ITEMS WITHOUT WRITTEN PERMISSION.
 COPYRIGHT © 1983 DIGITAL EQUIPMENT CORPORATION

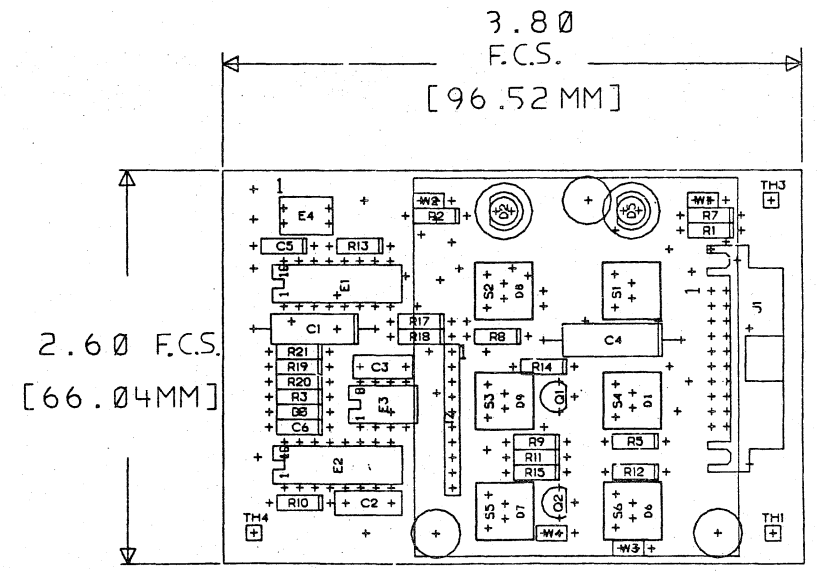
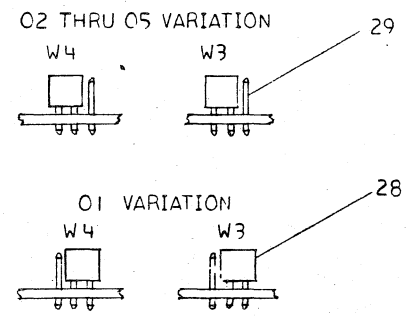
NOTE:
 1. POINT OF MFG. LABEL (36-23593-01) APPLIED TO SIDE 2.



DETAIL A
 NOT TO SCALE



VIEW A-A



- NOTES:
 1. 1, 3, 12 INSTALLED AS SHOWN FOR ALL VARIATIONS
 2. R7 NOT INSTALLED
 3. ITEM 29 INSTALLED 12 PLACES IN HOLE SYMBOL

STEP	Y AXIS	STEP	TIMES
REPEAT	X AXIS	STEP	TIMES

CHANGE NO	REV	DATE	BY	CHK

ETCH REV. C1

SIGNATURES	DATE	digital
DRN. RAYMOND S SELBY	1-25-84	
CHK'D		TITLE BA23
MECH. ENG.		
PROJ. ENG.		FRONT PANEL
PROD. ENG.		
SCALE 2-1	SIZE CODE	NUMBER
SHT. 1 OF 1	D UA	5416458-0-0
TOP DOC. NO. B-DD-5416458-0-0		REV B

LINE	ITEM	TOP DOCUMENT	PART NUMBER	MIN REV DESCRIPTION	QTY PER VARIATION				REFERENCE DESIGNATOR
					01	02	03	04	
					A2	A2	A2	A2	
1	1	D-MD-5016457-0-0	5016457-01	CIRCUIT DRILL AND ETCH	1	1	1	1	
2	2		1000021-00	220.0 MMF 100V 5%200PPM MICA	1	1	-	-	C2
3	3		1005636-00	22 MFD 6V 10% S.TANT	1	1	-	-	C1
4	4		1012784-00	.047 MFD 50V +80-20% CER	2	2	2	2	C5,C6
5	5		1012312-01	.47 MFD 50V +80-20% CER	1	1	-	-	C3
6	6		1017472-00	10 MFD 35V +75-10% AL EL	1	1	1	1	C4
7	7		1100114-00	PIV= 25 IO=135 MA	1	1	-	-	D3
8	8		1119827-01	LED,SUPERBRIGHT,RED T1 PKG	1	1	-	-	D8
9	9		1121248-02	AMBER LED T1 12MCD 1"LEADS	3	-	-	-	D1,D2,D5
			CONT		-	2	2	-	D7,D9
			CONT		-	-	-	1	D9
10	10		1121248-01	GREEN LED T1 4MCD 1"LEADS	3	-	-	-	D9,D7,D6
			CONT		-	4	-	-	D1,D2,D5,D6
			CONT		-	-	3	-	D1,D5,D6
			CONT		-	-	-	2	D1,D5
11	11		1217310-07	SW,DIP 2POS/1PST 5VDC100MA S	1	1	-	-	E4
12	12		1218945-08	SW,PB,LT 1PST MAINTAINED .25A	3	-	-	-	S2,S3,S6
			CONT		-	5	-	-	S2-S6
			CONT		-	-	4	-	S3-S6
			CONT		-	-	-	2	S3,S4
13	13		1218945-00	SW,PB,LT 1PST NO-MOMENTARY .25A	1	1	-	-	S1
14	14		1219039-01	PCB,HEADER 20PIN .100CC 90D	1	1	1	1	J1
15	15		100250-00	150.0 .25 W 5.0 % CF	6	6	-	-	R1,R2,R5,R9,R11,R12
			CONT		-	-	5	-	R1,R5,R9,R11,R12
			CONT		-	-	-	3	R1,R5,R9
16	16		1300479-00	10.0 K .25 W 5.0 % CF	4	4	-	-	R17,R19-R21
17	17		1300271-00	220.0 .25 W 5.0 % CF	1	1	-	-	R8
18	18		1302388-00	2.0 K .25 W 5.0 % CF	2	-	-	-	R13,R14
			CONT		-	3	3	-	R13,R14,R15
19	19		1302466-00	100.0 K .25 W 5.0 % CF	1	1	-	-	R18

REVISION HISTORY			BASIC PART NO: 5416458			DRN: RAY SELBY		DATE: 28-OCT-83		DIGITAL	
ENG	ECO NUMBER	REV	SECTION A OF B		CHK'D:	DICK BARRIERE		DATE: 1-NOV-83		TITLE PARTS LIST	
DM	INITIAL	A	SECTION VARIATION INDEX							BA23 FRONT PANEL	
DM	5416458-TW001	B	[A]	01,02,03,04						DOCUMENT NUMBER	
			[B]	05	DES.ENG:	DICK MILLER		DATE: 28-OCT-83		SIZE	CODE
			[C]							NUMBER	REV
			[D]		RESP.ENG.:	AL DELUCA		DATE: 28-OCT-83		K	PL
			[E]							5416458-0-DBP	B
			[F]		MFG.ENG.:	R. BELIVEAU		DATE: 25-APR-84		RELEASE DATE: 22-JAN-85	
			[G]								
			[H]		ASSEMBLY NUMBER:	D-UA-5416458-0-0		TOP DOCUMENT NUMBER:		FILE NAME:	EDIT #
			[I]					B-DD-5416458-0-0		Z8352B.FLS	12
			[J]								
			[K]								
			[L]								
			[M]								
			[N]								

"THIS DRAWING AND THE SPECIFICATIONS CONTAINED HEREIN ARE CONFIDENTIAL AND PROPRIETARY. THEY ARE THE PROPERTY OF DIGITAL EQUIPMENT CORPORATION AND SHALL NOT BE REPRODUCED OR COPIED OR USED IN WHOLE OR IN PART AS THE BASIS FOR THE MANUFACTURE OR SALE OF ITEMS WITHOUT WRITTEN PERMISSION. THIS IS AN UNPUBLISHED WORK PROTECTED UNDER THE FEDERAL COPYRIGHT LAWS."

LINE	ITEM	TOP DOCUMENT	PART NUMBER	MIN REV	DESCRIPTION	QTY PER VARIATION				REFERENCE DESIGNATOR
						01	02	03	04	
					VARIATION REVISION LEVEL:	A2	A2	A2		
20	20		1302514-00		39.0 K .25 W 5.0 % CF	2	2	-	-	R3,R10
21	21		1911579-00		8641 TRANSCEIVER,BUS,QUA	1	1	1	1	E1
22	22		1914156-01		LM 393AN VOLT COMPARATOR,DUA	1	1	-	-	E3
23	23		1912858-00		LS221 ONE SHOT-DUAL,SCHMIT	1	1	-	-	E2
24	24		1503409-01		DEC6534B PNP 310MW SI 40 90 P	1	-	-	1	Q1
			CONT			-	2	2	-	Q1,Q2
25	25		9009800-07		SCREW,TAP PAN PHIL THD RL 4-	3	3	3	3	
26	26		7430283-01		SUPPORT,LED,6 SWITCHES	1	1	1	1	
27	27		1316334-00		R NETWORK 9-2K 2.0 % 10PIN	1	1	1	1	Z1
28	28		1218783-00		JUMPER 02POS(1X02).100CC	4	4	4	4	W1-W4
29	29		9009149-00		PIN,STAKNG 0.0250Dx0.345LG SQUAR	12	12	12	12	
30	30		7430283-02		SUPPORT,LED,4 SWITCHES,2 LEDS	1	-	-	-	
31	31		3623593-01		LABEL,BLANK,PAPER,FIN FEED	1	1	1	1	
32	32		9905016-07		CARTON,DIE CUT W/FOAM,B	A/R	A/R	A/R	A/R	
33	33		9907512-01		LAMINATE,POLYU 1.2PCF	A/R	A/R	A/R	A/R	

D	I	G	I	T	A	L	TITLE	BA23 FRONT PANEL	SECTION A OF B	SIZE	CODE	DOCUMENT NUMBER	REV
										K	PL	5416458-0-DEP	B

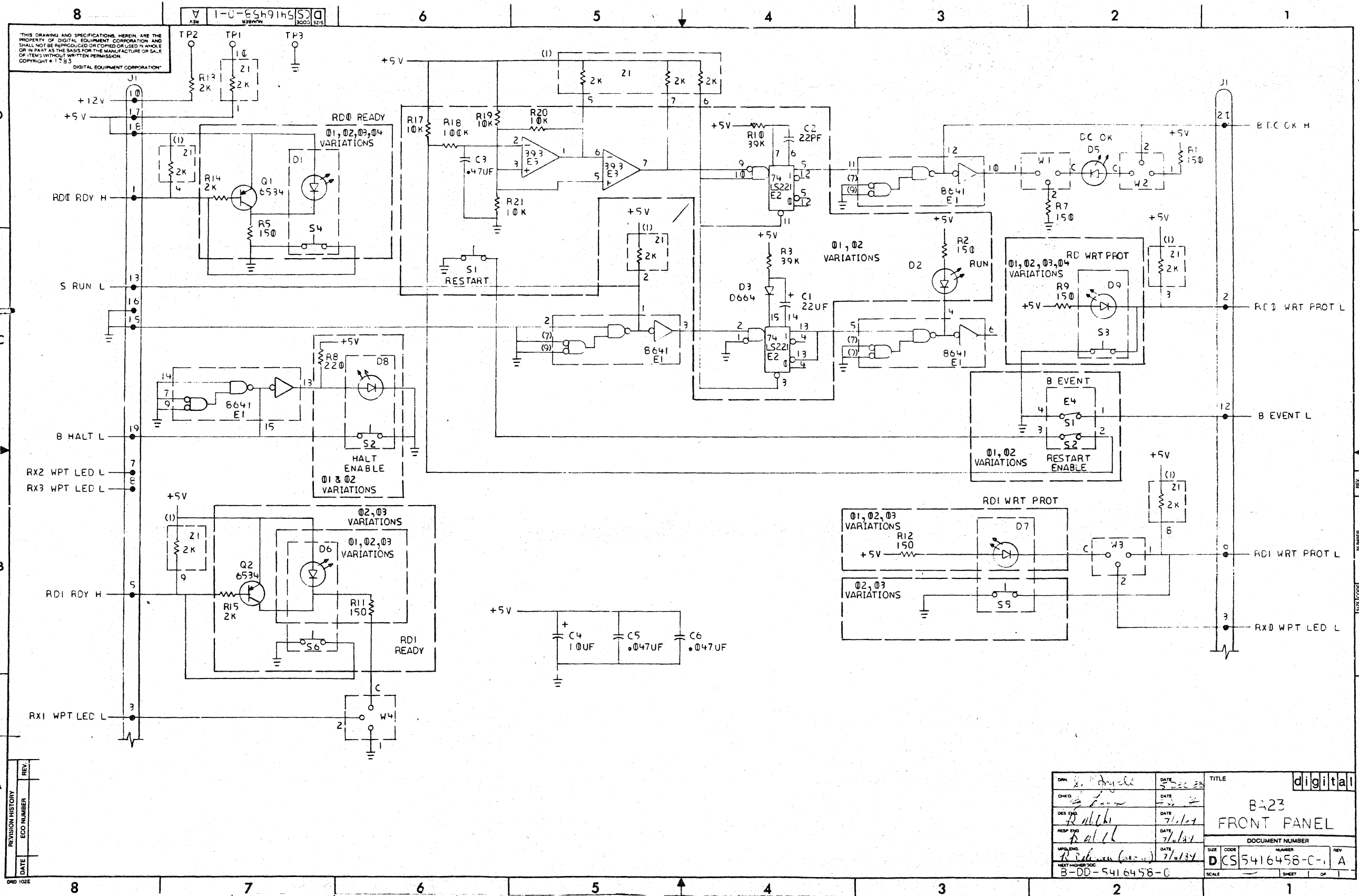
LINE	ITEM	TOP DOCUMENT	PART NUMBER	MIN REV	DESCRIPTION	QTY	PER VARIATION	REFERENCE DESIGNATOR
					VARIATION REVISION LEVEL:			
1	1	D-MD-5016457-0-0	5016457-01		CIRCUIT DRILL AND ETCH	1		
2	2		1000021-00		*** THIS ITEM IS NOT USED ***	-		
3	3		1005636-00		*** THIS ITEM IS NOT USED ***	-		
4	4		1012784-00		.047 MFD 50V +80-20% CER	2		C5,C6
5	5		1012312-01		*** THIS ITEM IS NOT USED ***	-		
6	6		1017472-00		10 MFD 35V +75-10% AL EL	1		C4
7	7		1100114-00		*** THIS ITEM IS NOT USED ***	-		
8	8		1119827-01		*** THIS ITEM IS NOT USED ***	-		
9	9		1121248-02		*** THIS ITEM IS NOT USED ***	-		
10	10		1121248-01		GREEN LED T1 4MCD 1"LEADS	1		D5
11	11		1217310-07		*** THIS ITEM IS NOT USED ***	-		
12	12		1218945-08		*** THIS ITEM IS NOT USED ***	-		
13	13		1218945-00		*** THIS ITEM IS NOT USED ***	-		
14	14		1219039-01		PCB,HEADER 20PIN .100CC 90D	1		J1
15	15		1300250-00		150.0 .25 W 5.0 % CF	1		R1
16	16		1300479-00		*** THIS ITEM IS NOT USED ***	-		
17	17		1300271-00		*** THIS ITEM IS NOT USED ***	-		
18	18		1302388-00		2.0 K .25 W 5.0 % CF	1		R13
19	19		1302466-00		*** THIS ITEM IS NOT USED ***	-		
20	20		1302514-00		*** THIS ITEM IS NOT USED ***	-		
21	21		1911579-00		8641 TRANSCEIVER,BUS,QUA	1		E1
22	22		1914156-01		*** THIS ITEM IS NOT USED ***	-		
23	23		1912858-00		*** THIS ITEM IS NOT USED ***	-		
24	24		1503409-01		*** THIS ITEM IS NOT USED ***	-		
25	25		9009800-07		SCREW,TAP PAN PHIL THD RL 4-	3		
26	26		7430283-01		SUPPORT,LFD,6 SWITCHES	1		
27	27		1316334-00		R NETWORK 9-2K 2.0 % 10PIN	1		Z1
28	28		1218783-00		JUMPER 02POS(1X02).100CC	4		W1-W4
29	29		9009149-00		PIN,STAKNG 0.0250DX0.345LG SQUAR	12		
30	30		7430283-02		*** THIS ITEM IS NOT USED ***	-		

REVISION HISTORY			BASIC PART NO: 5416458			DRN: RAY SELBY			DATE: 28-OCT-83			D I G I T A L		
ENG	ECO NUMBER	REV	SECTION B OF B			CHK'D: DICK BARRIERE			DATE: 1-NOV-83			TITLE PARTS LIST		
DM	INITIAL	A	SECTION VARIATION INDEX			DES.ENG: DICK MILLER			DATE: 28-OCT-83			DOCUMENT NUMBER		
DM	5416458-TW001	B	[A]	01,02,03,04	[B]	05	[C]		[D]		[E]		[F]	
			[H]		[J]		[K]		[L]		[M]		[N]	
			RESP.ENG.: AL DELUCA			DATE: 28-OCT-83			SIZE CODE NUMBER			REV		
			MFG.ENG.: R. BELIVEAU			DATE: 25-APR-84			K PL 5416458-0-DBP			B		
			ASSEMBLY NUMBER:			TOP DOCUMENT NUMBER:			FILE NAME:			EDIT #		
			D-UA-5416458-0-0			B-DD-5416458-0-0			Z8352B.PLS			12		

"THIS DRAWING AND THE SPECIFICATIONS CONTAINED HEREIN ARE CONFIDENTIAL AND PROPRIETARY. THEY ARE THE PROPERTY OF DIGITAL EQUIPMENT CORPORATION AND SHALL NOT BE REPRODUCED OR COPIED OR USED IN WHOLE OR IN PART AS THE BASIS FOR THE MANUFACTURE OR SALE OF ITEMS WITHOUT WRITTEN PERMISSION. THIS IS AN UNPUBLISHED WORK PROTECTED UNDER THE FEDERAL COPYRIGHT LAWS."

LINE	ITEM	TOP DOCUMENT	PART NUMBER	MIN REV	DESCRIPTION	QTY PER VARIATION	REFERENCE DESIGNATOR
					VARIATION REVISION LEVEL:	A2	
31	31		3623593-01		LABEL,BLANK,PAPER,PIN FEED	1	
32	32		9905016-07		CARTON,DIE CUT W/FOAM,B	A/R	
33	33		9907512-01		LAMINATE,POLYU 1.2PCF	A/R	

D	I	G	I	T	A	L	TITLE	BA23 FRONT PANEL	SECTION B OF B	SIZE	CODE	DOCUMENT NUMBER	REV
										K	PL	5416458-0-DBP	B



REV.	DATE	ECO NUMBER

DRW: <i>S. Drysdale</i>	DATE: <i>5 Dec 83</i>	TITLE: digital
CHKD: <i>S. Lane</i>	DATE: <i>7/1/84</i>	BA23
DESIGN: <i>R. Albi</i>	DATE: <i>7/1/84</i>	FRONT PANEL
RESP: <i>R. Albi</i>	DATE: <i>7/1/84</i>	DOCUMENT NUMBER
UPD: <i>R. Albi</i>	DATE: <i>7/1/84</i>	SCALE: <i>1</i>
NEXT HIGHER DOC: B-DD-5416458-C		SHEET: <i>1</i> OF <i>1</i>

DRAWING NO.	NO OF SHTS.	PART NO.	DESCRIPTION	REVISIONS																
		5416744-01	FUNCTION SEL/SLU BOARD	A1	AI															
D-UA-5416744-0-0	1		FUNCTION SEL/SLU UNIT ASSEMBLY	A	B															
K-CS-5416744-0-1	1		FUNCTION SEL/SLU CIRCUIT SCHEMATICA	A	A															
K-PL-5416744-0-DBP	1		FUNCTION SEL/SLU PARTS LIST	A	A															
K-PC-5416744-0-DBJ			P.C. DESIGN DATA BASE	A	A															
		5016743-01	ETCHED CIRCUIT BOARD	A1	AI															
B-DD-5016743-0-0	1		DRAWING DIRECTORY	A	A															
K-CS-5416744-0-DBV			VALID DATA BASE	A	A															

NOTES:

REVISION HISTORY		DATE	ECO NO.	REV.
		1/85	INIT	A
		5-85	TWO01	B

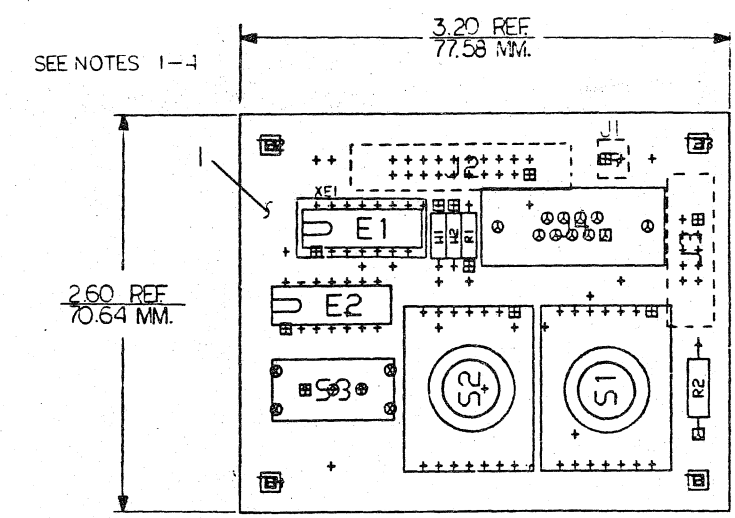
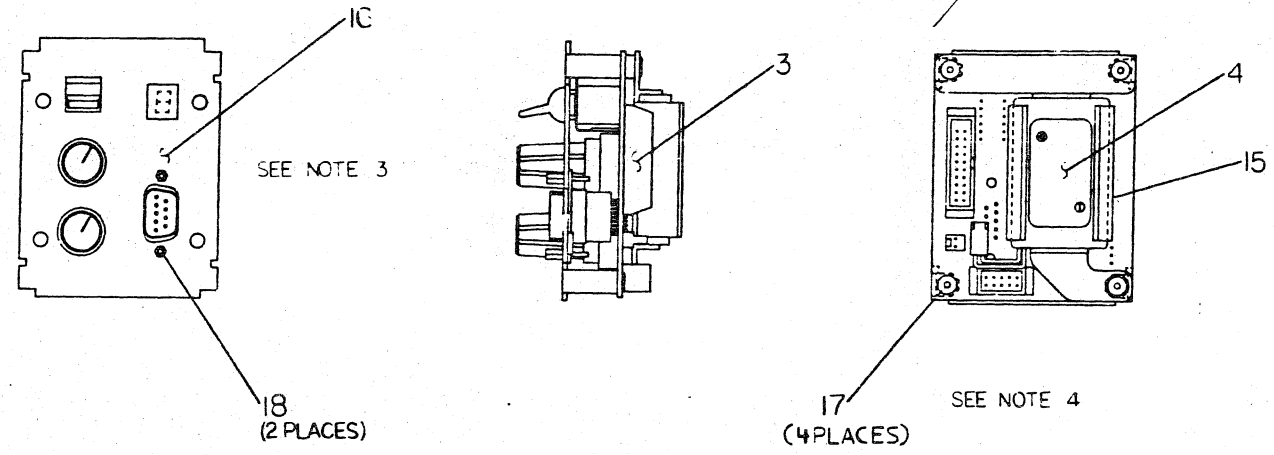
THIS DRAWING AND THE SPECIFICATIONS CONTAINED HEREIN ARE CONFIDENTIAL AND PROPRIETARY. THEY ARE THE PROPERTY OF DIGITAL EQUIPMENT CORPORATION AND SHALL NOT BE REPRODUCED OR COPIED OR USED IN WHOLE OR IN PART AS THE BASIS FOR THE MANUFACTURE OR SALE OF ITEMS WITHOUT WRITTEN PERMISSION. THIS IS AN UNPUBLISHED WORK PROTECTED UNDER THE FEDERAL COPYRIGHT LAWS. 1985



DRN.	D. DROZD	DATE	1/31/85
CHK'D	J. CUNNINGHAM	DATE	1/31/85
DES. ENG.	M. deMARE	DATE	1/31/85
RESP. ENG.	M. deMARE	DATE	1/31/85
MFG. ENG.	S. Wash	DATE	1/31/85

TITLE				FUNCTION SEL/SLU			
DOCUMENT NUMBER							
SIZE	CODE	NUMBER	REV.				
B	DD	5416744-0-0	B				
				SHEET 1 OF 1			

These drawings and specifications remain the property of Digital Equipment Corporation and shall not be reproduced or copied in whole or in part without written permission of Digital Equipment Corporation. © 1965



NOTES:
 1. W1, W2 ARE NOT INSTALLED.
 2. J1, J2 AND J3 ARE MOUNTED ON SIDE 2.
 3. MOUNT J4 TO ITEM 16 WITH ITEM 18 BEFORE SOLDERING INTO ITEM 1.
 4. TEST PANEL IN TESTER AFTER COMPLETING NOTE 3 AND BEFORE ASSEMBLY OF ITEMS 1, 15 & 16 WITH ITEM 17.
 STEP E → Y AXIS _____ STEP _____ TIMES
 REPEAT → X AXIS _____ STEP _____ TIMES

CHANGE NO	REV	
546744-TW1	B	
D BERRY	24-MAR-65	
M. DEMARE		

ETCH REV.	A1
-----------	----

SIGNATURES		DATE	digital
DRN. DAVID DROZD			
CHK'D. [Signature]			TITLE FUNCTION
MECH. ENG. [Signature]			
PROJ. ENG. [Signature]			SEL / SLU
PROD. [Signature]			
SCALE	2/1	SIZE/CODE	NUMBER
SHT.	OF	D UA	5416744-0-0
NEXT HIGHER ASSY. B-DD-5416744-0-0			REV B

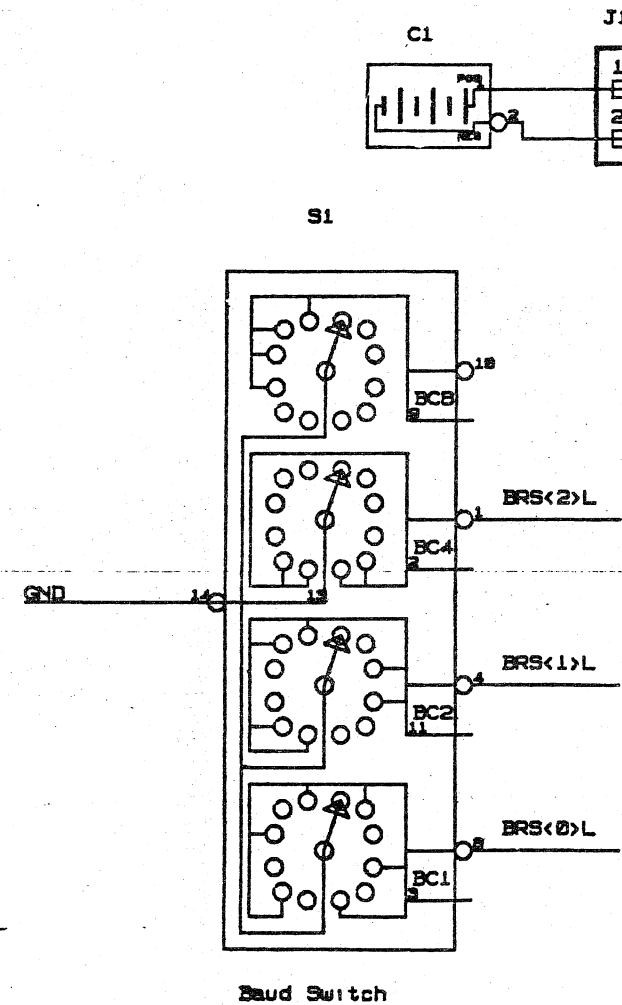
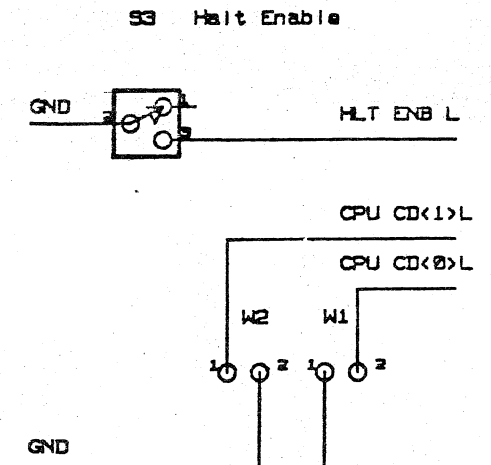
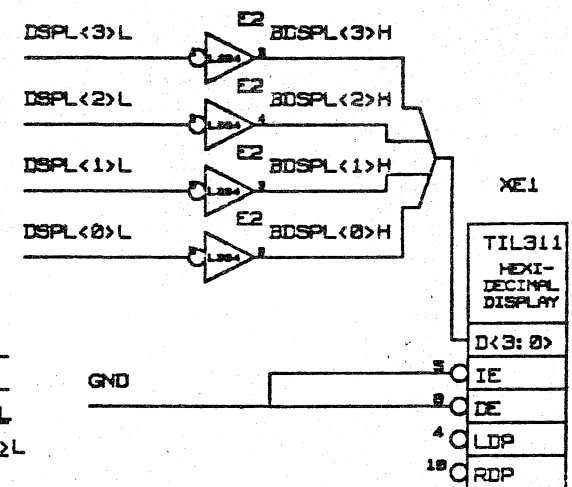
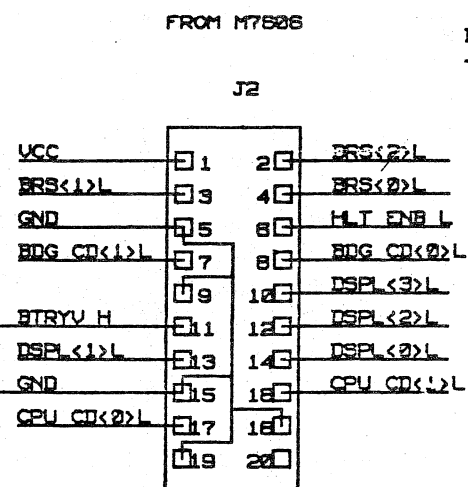
1 MS# 275-20

LINE	ITEM	TOP DOCUMENT	PART NUMBER	REV	DESCRIPTION	QTY PER VARIATION	REFERENCE DESIGNATOR
					VARIATION REVISION LEVEL:	A1	
1	1	D-MD-5016743-0-0	5016743-01		CIRCUIT DRILL AND ETCH	1	
2	2		1216565-02		SKT,IC 14PIN DIP TIN ELEV	1	XE1
3	3		1217727-00		PCB,HEADER 20POS(1X20).100CC STR	1	J2
4	4		1219245-01		BATTERY,3CELL 3.75V .18MA NICAD	1	
5	5		1219251-00		PCB HEADER 02PIN(1X02).100CC STR	1	J1
6	6		1219573-05		CONN,D SUB 9PIN ASSY STR	1	J4
7	7		1219952-08		PCB HEADER 09PIN(2X05).100CC STR	1	J3
8	8		1223262-01		SW,ROT 1P08POS	1	S1
9	9		1223263-02		SW,ROT 2P03POS	1	S2
10	10		1223646-01		SW,RKR SPDT ON-OFF-ON	1	S3
11	11		1300229-00		100.0 .25 W 5.0 % CF	1	R1
12	12		1300354-00		750.0 .50 W 5.0 % CF	1	R2
13	13		1912803-00		LS04 INVERTER GATE,HEX	1	E2
14	14		1916921-00		HEXADECIMAL DISPLAY W/DECODER	1	E1
15	15		7430801-01		HOLDER,BATTERY	1	
16	16		7431737-01		PLATE,CONNECTOR	1	
17	17		9008181-01		SCREW,TAP PAN PHIL 6-	4	
18	18		9008451-01		SCREW LOCK,STANDOFF ONLY .060TH	2	

REVISION HISTORY			BASIC PART NO: 5416744						
ENG	ECO NUMBER	REV	SECTION A OF A	DRN: E. LANDRY	DATE: 01-JUN-84	DIGITAL			
---	INITIAL	A	SECTION VARIATION INDEX	CHK'D: D. DROZD	DATE: 01-JUN-84	TITLE PARTS LIST FUNCTION SEL/SLU MODULE			
			[A] 01	DES.ENG: M. DEMARE	DATE: 12-OCT-84	DOCUMENT NUMBER			
			[B]	RESP.ENG.: M. DEMARE	DATE: 12-OCT-84	SIZE	CODE	NUMBER	REV
			[C]	MFG.ENG.: S. WASH	DATE: 12 NOV 84	K	PL	5416744-0-DBP	A
			[D]	ASSEMBLY NUMBER:	TOP DOCUMENT NUMBER:	FILE NAME:		EDIT #	
			[E]	D-UA-5416744-0-0	D-UA-5416744-0-0P	ML769A.PLS		34	
			[F]			RELEASE DATE: 27-FEB-85			
			[G]						
			[H]						
			[I]						
			[J]						
			[K]						
			[L]						
			[M]						
			[N]						

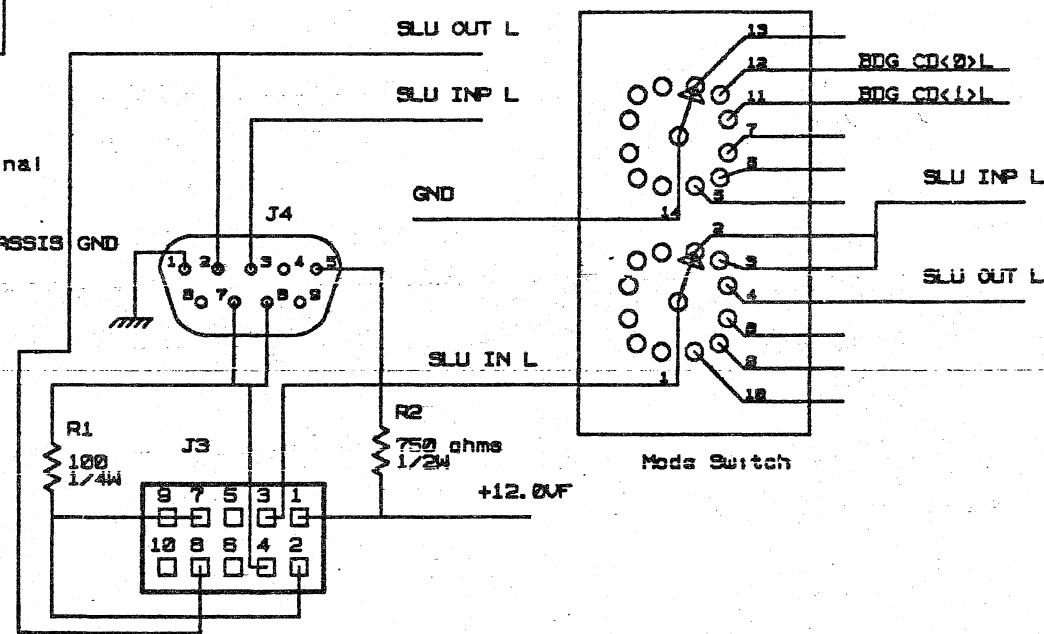
"THIS DRAWING AND THE SPECIFICATIONS CONTAINED HEREIN ARE CONFIDENTIAL AND PROPRIETARY. THEY ARE THE PROPERTY OF DIGITAL EQUIPMENT CORPORATION AND SHALL NOT BE REPRODUCED OR COPIED OR USED IN WHOLE OR IN PART AS THE BASIS FOR THE MANUFACTURE OR SALE OF ITEMS WITHOUT WRITTEN PERMISSION. THIS IS AN UNPUBLISHED WORK PROTECTED UNDER THE FEDERAL COPYRIGHT LAWS."

FROM M7608	TO FS&SLU	FROM M7608	TO FS&SLU
J2 PIN	J2 PIN	J2 PIN	J2 PIN
1	20 GND	11	10 DSPL<3>L
2	19 GND	12	9 GND
3	18 GND	13	8 BDG CD<0>L
4	17 CPU CD<0>L	14	7 BDG CD<1>L
5	16 CPU CD<1>L	15	6 HLT ENB L
6	15 GND	16	5 GND
7	14 DSPL<0>L	17	4 BRS<0>L
8	13 DSPL<1>L	18	3 BRS<1>L
9	12 DSPL<2>L	19	2 BRS<2>L
10	11 BTRYV H	20	1 +5.0V = VCC



BRS<2:0>L	BAUD RATE
0 HH	300 BAUD
1 HL	600
2 LH	1200
3 LL	2400
4 LH	4800
5 LH	9600
6 LLH	19200
7 LLL	38400

FROM M7608	TO FS&SLU
J3 PIN	J3 PIN
1	10 BUURESET(L)
2	9 GND
3	8 SLU OUT L
4	7 GND
5	6 KEY
3	5 KEY
7	4 SLU IN H
8	3 SLU IN L
9	2 GND
10	1 +12.0V



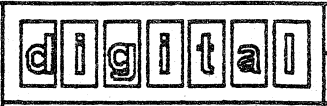
W2	W1	FUNCTION
R	R	NORMAL
R	I	AUXILIARY 1
I	R	AUXILIARY 2
I	I	AUXILIARY 3
I=INSERTED R=REMOVED		
BDG CD<1:0>L		
0	HH	NORMAL
1	HL	LANGUAGE INQUIRY
2	LH	SLU LOOPBACK TEST

THIS DRAWING AND SPECIFICATIONS, HEREIN, ARE THE PROPERTY OF DIGITAL EQUIPMENT CORPORATION AND SHALL NOT BE REPRODUCED OR COPIED OR USED IN WHOLE OR IN PART AS THE BASIS FOR THE MANUFACTURE OR SALE OF ITEMS WITHOUT WRITTEN PERMISSION.
COPYRIGHT 1984 DIGITAL EQUIPMENT CORPORATION

REVISION HISTORY		
REV	EDS NUMBER	DATE

DRAWING
TITLE=FUNCT SEL/SLU
ABBREV=FS&SLU
LAST_MODIFIED=Thu Jan 31 17:20:33 1985

DEFINE
X_FIRST=0
X_STEP=SIZE



DRN: Malcolm de Mars
DATE: 20-SEP-84
CHK'D: DAVE DROED
DATE: 20-SEP-84

ENG: Malcolm de Mars
DATE: 20-SEP-84
SHEET: 1 OF 1
NEXT HIGHER ASSEMBLY: B-DD-5416744-0-0

TITLE: Function Selection & SLU Module (FS&SLU) for M7608(KA630)			
SIZE	CODE	NUMBER	REV
K	CS	5416744-0-1	A

LINE	ITEM	TOP DOCUMENT	PART NUMBER	MIN REV	DESCRIPTION	QTY PER VARIATION			
						AA	AB	AC	AD
					VARIATION REVISION LEVEL:	A1	A1	A1	A1
1	1	B-DD-M7606-0-0	M7606-AA		MICROVAX II W/1MB,FP,INCLUDES TI	1	-	-	-
2	2	B-DD-M7606-0-0	M7606-BA		M7606-AA W/NO FP (CPU,1MB) = M76	-	1	-	-
3	3	B-DD-M7606-0-0	M7606-CA		M7606-AA W/256KB MEM (CPU,256KB,	-	-	1	-
4	4	B-DD-M7606-0-0	M7606-DA		M7606-AA W/256KB MEM,NO FP = M76	-	-	-	1
5	5	B-DD-H3263-0-0	H3263-00		KA630 CONFIGURATION CONNECTOR &	1	1	1	1
6	6	A-PA-3700847-0-0	3700847-02		PKG OPTION KIT MS630/KA630	1	1	1	1
7	7	A-PA-3700847-0-0	3700847-03		PKG OPTION KIT MS630/KA630	A/R	A/R	A/R	A/R

REVISION HISTORY			BASIC PART NO: KA630		DRN: D. RICHARD	DATE: 26-OCT-84	D I G I T A L		
ENG	ECO NUMBER	REV	SECTION A OF A	CHK'D: D. HEALY	DATE: 14-FEB-85	TITLE PARTS LIST MICROVAX CPU MODULE			
---	INITIAL	A	SECTION VARIATION INDEX (A)AA,AB,AC,AD	DES.ENG: B. MCNAMARA	DATE: 14-FEB-85	DOCUMENT NUMBER			
			(B)	RESP.ENG.: B. MCNAMARA	DATE: 14-FEB-85	SIZE	CODE	NUMBER	REV
			(C)	MFG.ENG.: K. WORTMAN	DATE: 14-FEB-85	K	PL	KA630-0-DBP	A
			(D)	ASSEMBLY NUMBER:	TOP DOCUMENT NUMBER:	FILE NAME:		EDIT #	
			(E)		K-PL-KA630-0-DBP	ML556A.PLS		10	
			(F)			RELEASE DATE: 14-FEB-85			

"THIS DRAWING AND THE SPECIFICATIONS CONTAINED HEREIN ARE CONFIDENTIAL AND PROPRIETARY. THEY ARE THE PROPERTY OF DIGITAL EQUIPMENT CORPORATION AND SHALL NOT BE REPRODUCED OR COPIED OR USED IN WHOLE OR IN PART AS THE BASIS FOR THE MANUFACTURE OR SALE OF ITEMS WITHOUT WRITTEN PERMISSION. THIS IS AN UNPUBLISHED WORK PROTECTED UNDER THE FEDERAL COPYRIGHT LAWS."

DRAWING NO.	NO OF SHTS.	PART NO.	DESCRIPTION	REVISIONS																		
		H3263-00	KA630 CNF	A																		
D-UA-H3263-0-0	1		KA630-CNF UNIT ASSEMBLY	A																		
K-CS-H3263-0-1	1		KA630-CNF SCHEMATIC	A																		
K-PL-H3263-0-DBP	1		KA630-CNF PARTS LIST	A																		
K-PC-H3263-0-DBU			P.C. DESIGN DATA BASE	A																		
		5016698-01	ETCHED CIRCUIT BOARD	A1																		
B-DD-5016698-0-0			DRAWING DIRECTORY	A																		
K-CS-H3263-0-DBV			VALID DATA BASE	A																		

NOTES:

REVISION HISTORY		REV.
DATE	ECO NO.	INIT
1/85		A

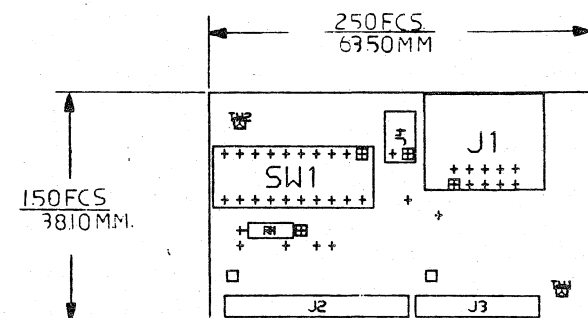
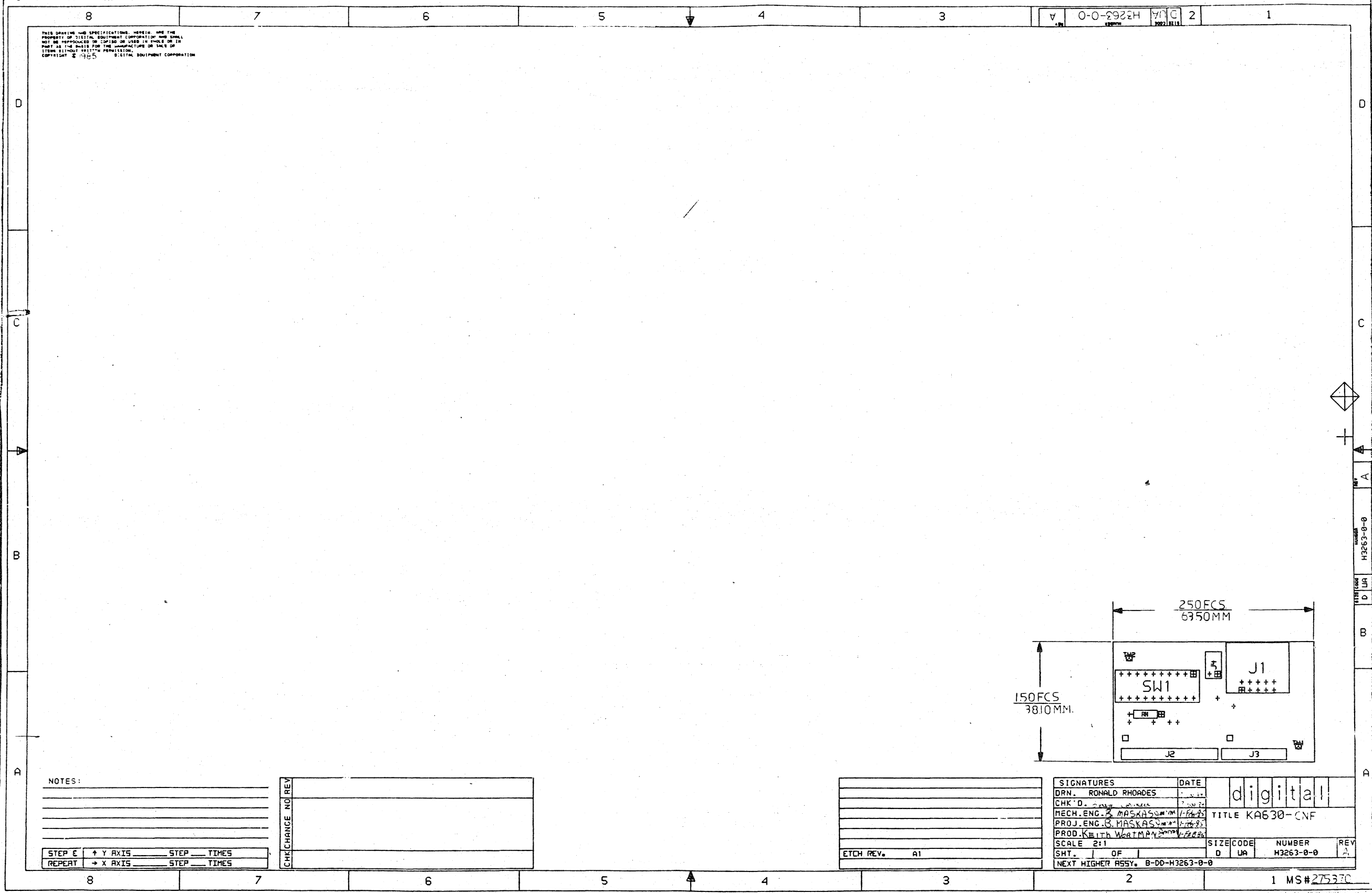
THIS DRAWING AND THE SPECIFICATIONS CONTAINED HEREIN ARE CONFIDENTIAL AND PROPRIETARY. THEY ARE THE PROPERTY OF DIGITAL EQUIPMENT CORPORATION AND SHALL NOT BE REPRODUCED OR COPIED OR USED IN WHOLE OR IN PART AS THE BASIS FOR THE MANUFACTURE OR SALE OF ITEMS WITHOUT WRITTEN PERMISSION. THIS IS AN UNPUBLISHED WORK PROTECTED UNDER THE FEDERAL COPYRIGHT LAWS. 1985



DRN. B. CORMIER	DATE 1/28/85	TITLE	
CHK'D E. LANDRY	DATE 1/28/85	KA630-CNF	
DES. ENG. B. MASKAS	DATE 1-FEB-85	DOCUMENT NUMBER	
RESP. ENG. R. MCNAMARA	DATE 1-Feb-85	SIZE B	CODE DD
MFG. ENG. KEITH WORTMAN	DATE 1-FEB-85	NUMBER H3263-0-0	REV. A
		SHEET 1 OF 1	

THIS DRAWING AND SPECIFICATIONS HEREIN ARE THE PROPERTY OF DIGITAL EQUIPMENT CORPORATION AND SHALL NOT BE REPRODUCED OR COPIED OR USED IN WHOLE OR IN PART AS THE BASIS FOR THE MANUFACTURE OR SALE OF ITEMS WITHOUT WRITTEN PERMISSION.
 COPYRIGHT © 1985 DIGITAL EQUIPMENT CORPORATION

0-0-2922H 2



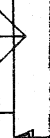
NOTES:

STEP	E	↑ Y AXIS	STEP	TIMES
REPEAT		→ X AXIS	STEP	TIMES

CHG	NO	REV

ETCH REV.	A1

SIGNATURES		DATE	digital
DRN. RONALD RHOADES			
CHK'D. M. MASKASS			TITLE KA630-CNF
MECH. ENG. B. MASKASS			
PROJ. ENG. B. MASKASS			NUMBER H3263-0-0
PROD. KEITH WERTMAN			
SCALE	2:1	SIZE	CODE D UA
SHT.	OF		
NEXT HIGHER ASSY. B-DD-H3263-0-0			



H3263-0-0

D UA

B

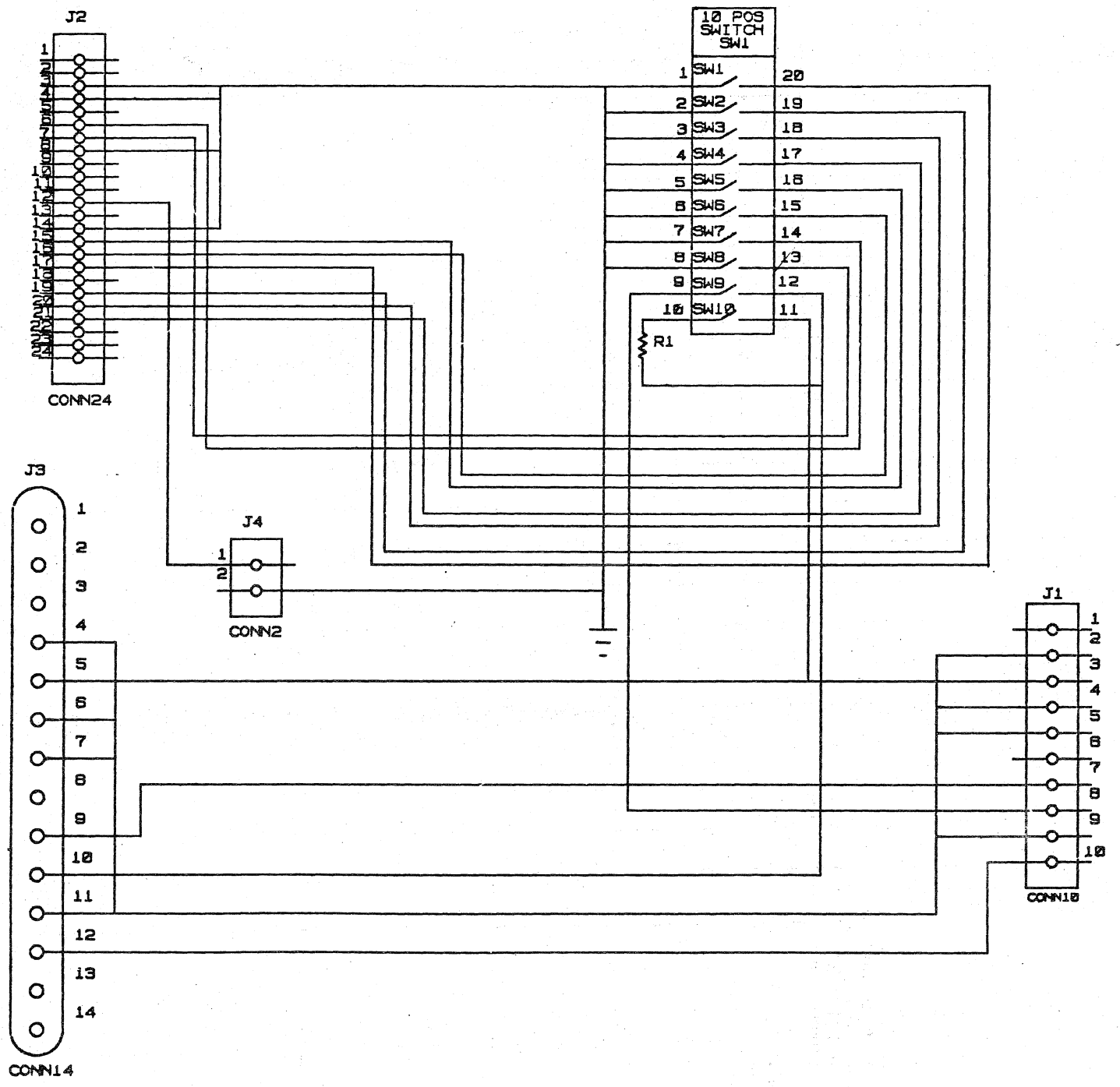
A

1 MS#275370

LINE	ITEM	TOP DOCUMENT	PART NUMBER	MIN REV	DESCRIPTION	QTY PER VARIATION	REFERENCE DESIGNATOR
					VARIATION REVISION LEVEL:	00 A1	
1	1	D-MD-5016698-0-0	5016698-01		CIRCUIT DRILL AND ETCH BOARD	1	
2	2		1215563-05		CONN,P+S 14POS(2X07).100CC	1	J2
3	3		1215563-06		CONN,P+S 24POS(2X12).100CC	1	J3
4	4		1217310-00		SW,DIP 10POS/1PST 5VDC100MA S	1	SW1
5	5		1214434-02		PCB,HEADER 02PIN(1X02).100CC 90D	1	J4
6	6		1213506-04		PCB HEADER 09PIN(2X05).100CC 90D	1	J1
7	7		1300365-00		1.0 K .25 W 5.0 % CF	1	R1

REVISION HISTORY		BASIC PART NO: H3263		DRN: RONALD RHOADES	DATE: 08-NOV-84	D I G I T A L	
ENG!	ECO NUMBER	REV	SECTION A OF A	CHK'D: B. CORMIER	DATE: 3-DEC-84	TITLE PARTS LIST	
---	INITIAL	A	SECTION VARIATION INDEX	DES.ENG: B. MASKAS	DATE: 3-DEC-84	DOCUMENT NUMBER	
			[A] 00	RESP.ENG.: B. MASKAS	DATE: 5-MAR-85	SIZE!CODE!	NUMBER
			[B]	MFG.ENG.: K. WORKMAN	DATE: 5-MAR-85	K ! PL !	H3263-0-DBP
			[C]	ASSEMBLY NUMBER:	TOP DOCUMENT NUMBER:	FILE NAME:	EDIT #
			[D]	D-UA-H3263-0-0	B-DD-H3263-0-0	ML547A.PLS	7
			[E]			RELEASE DATE: 05-MAR-85	
			[F]				
			[G]				
			[H]				
			[I]				
			[J]				
			[K]				
			[L]				
			[M]				
			[N]				

"THIS DRAWING AND THE SPECIFICATIONS CONTAINED HEREIN ARE CONFIDENTIAL AND PROPRIETARY. THEY ARE THE PROPERTY OF DIGITAL EQUIPMENT CORPORATION AND SHALL NOT BE REPRODUCED OR COPIED OR USED IN WHOLE OR IN PART AS THE BASIS FOR THE MANUFACTURE OR SALE OF ITEMS WITHOUT WRITTEN PERMISSION. THIS IS AN UNPUBLISHED WORK PROTECTED UNDER THE FEDERAL COPYRIGHT LAWS."



S1-1	ON	HALT ENABLE		
	OFF	HALT ENABLE		
S1-4	OFF		S1-3	OFF
S1-4	OFF		S1-3	OFF
S1-4	OFF		S1-3	ON
S1-4	ON		S1-3	OFF
S1-4	ON		S1-3	ON
S1-4	ON		S1-3	OFF
S1-4	ON		S1-3	ON
S1-4	ON		S1-3	ON
S1-6	OFF		S1-5	OFF
S1-6	OFF		S1-5	ON
S1-6	ON		S1-5	OFF
S1-6	ON		S1-5	ON
S1-8	OFF		S1-7	OFF
S1-8	OFF		S1-7	ON
S1-8	ON		S1-7	OFF
S1-8	ON		S1-7	ON
S1-10	OFF		S1-9	OFF
S1-10	OFF		S1-9	ON
S1-10	ON		S1-9	OFF
S1-10	ON		S1-9	ON

DEFINE
 X_FIRST=0
 X_STEP=SIZE

DRAWING
 TITLE=XXAG30
 ABBREV=XXAG30

LAST_MODIFIED=Wed Mar 6 10:30:14 1985

THIS DRAWING AND SPECIFICATIONS, HEREIN, ARE THE PROPERTY OF DIGITAL EQUIPMENT CORPORATION AND SHALL NOT BE REPRODUCED OR COPIED OR USED IN WHOLE OR IN PART AS THE BASIS FOR THE MANUFACTURE OR SALE OF ITEMS WITHOUT WRITTEN PERMISSION. COPYRIGHT © 1985 DIGITAL EQUIPMENT CORPORATION

REVISION		
CHK	CHANGE NO.	REV

digital	DESIGN BUREAU	DATE 12-2-84	ENGR B. MASKAS	DATE 12-12-84	TITLE
	CHK D.	DATE 12-12-84	DESIGN LOCATION		KA630 CNF
LIBRARY	TOP DOCUMENT NUMBER	SIZE	CODE	NUMBER	REV.
FIRST USER OR OPTION/MODEL:	B-ED-H3263-0-0	K	CS	H3263-0-DBV	A

A REV	0-0-7092W NUMBER	DD CODE	B SIZE
----------	---------------------	------------	-----------

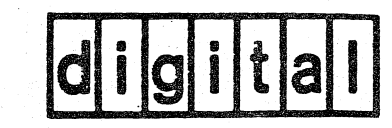
DRAWING NO.	NO. OF SHTS.	PART NO.	DESCRIPTION	REVISIONS																										
				1	2	3	4	5	6	7	8	9	10	11	12	13	14	15	16											
		M7607-AA	MS630-A	A1																										
D-UA-M7607-0-0	1		MS630-A UNIT ASSEMBLY	A																										
K-CS-M7607-0-0	1		MS630-A SCHEMATIC	A																										
K-PL-M7607-0-DBP	1		MS630-A PARTS LIST	A																										
K-PC-M7607-0-DBJ			P.C. DESIGN DATA BASE	C																										
		5016498-01	ETCHED CIRCUIT BOARD	Cl																										
B-DD-5016498-0-0	1		DRAWING DIRECTORY	A																										
K-CS-M7607-0-DBV			VALID SCHEMATIC DATA BASE	A																										

NOTES:

REVISION HISTORY		DATE	ECO NO.	INIT	REV.
		8/84			A

THIS DRAWING AND THE SPECIFICATIONS CONTAINED HEREIN ARE CONFIDENTIAL AND PROPRIETARY. THEY ARE THE PROPERTY OF DIGITAL EQUIPMENT CORPORATION AND SHALL NOT BE REPRODUCED OR COPIED OR USED IN WHOLE OR IN PART AS THE BASIS FOR THE MANUFACTURE OR SALE OF ITEMS WITHOUT WRITTEN PERMISSION. THIS IS AN UNPUBLISHED WORK PROTECTED UNDER THE FEDERAL COPYRIGHT LAWS.

1985

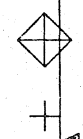
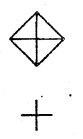
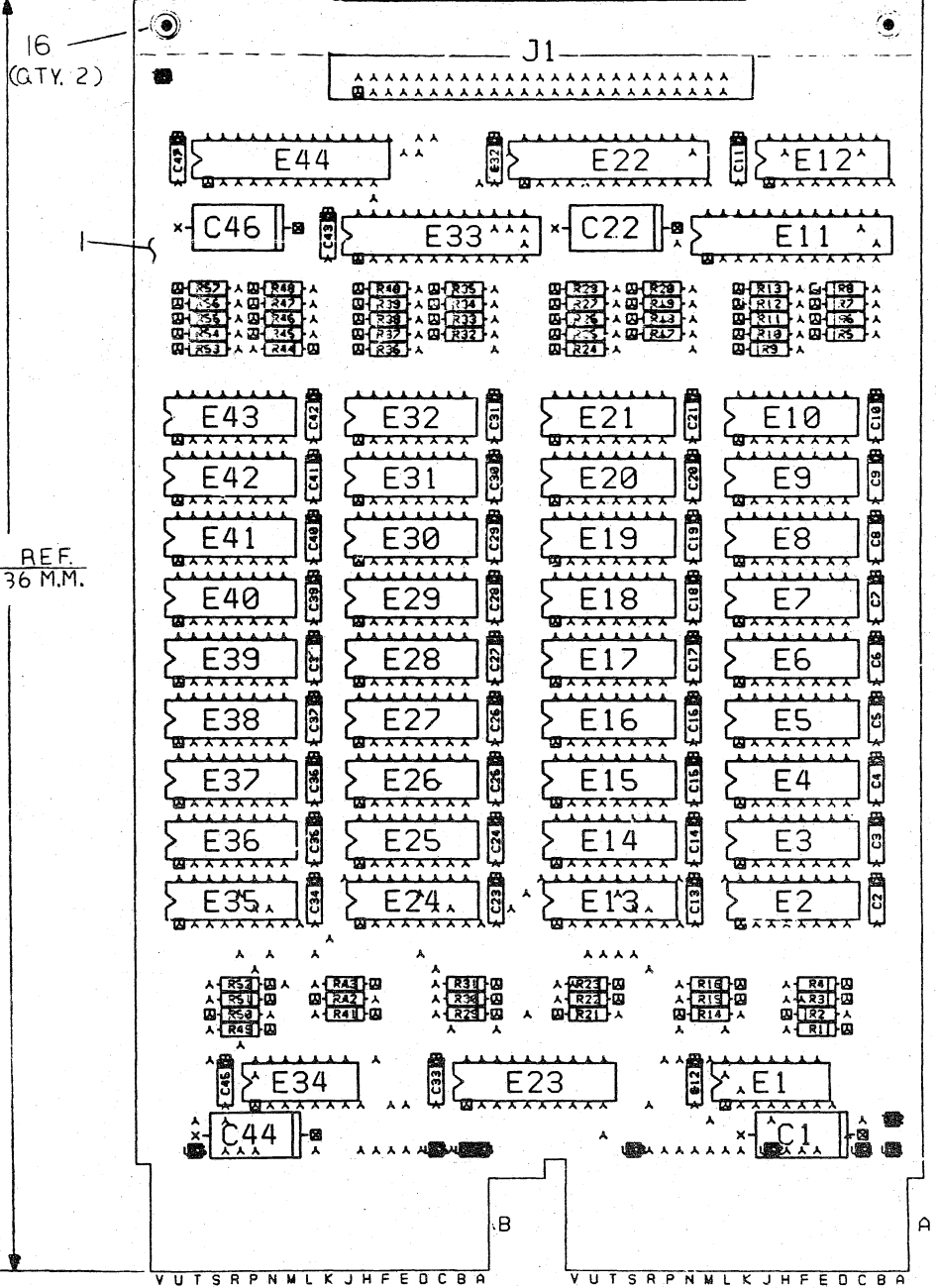


DRN.	D. DROZD	DATE	6/6/84				TITLE	MS630-A					
CHK'D	E. LANDRY	DATE	6/6/84										
DES. ENG.	R. LEAZER	DATE	6/6/84										
RESP. ENG.	R. LEAZER	DATE	6/6/84										
MFG. ENG.	A. BROOKS	DATE	9/7/84				SIZE B CODE DD NUMBER M7607-0-0 REV. A	DOCUMENT NUMBER					
								SHEET 1 OF 1					

8 7 6 5 4 3 2 1

THIS DRAWING AND SPECIFICATIONS HEREIN ARE THE PROPERTY OF DIGITAL EQUIPMENT CORPORATION AND SHALL NOT BE REPRODUCED OR COPIED OR USED IN WHOLE OR IN PART AS THE BASIS FOR THE MANUFACTURE OR SALE OF ITEMS WITHOUT WRITTEN PERMISSION.
 COPYRIGHT © 1976 DIGITAL EQUIPMENT CORPORATION

5.19 REF.
129.54 MM
COMPONENT SIDE VIEW



NOTES:

CHK	CHANGE	NO	REV

STEP	E	↑ Y AXIS	STEP	TIMES
REPEAT	→ X AXIS	STEP	TIMES	

ETCH REV.	C1
-----------	----

SIGNATURES
 DRN. *David Deard*
 CHK'D. *David Deard*
 MECH. ENG. *Richard J. Lynch*
 PROJ. ENG. *Richard J. Lynch*
 PROD. *Richard J. Lynch*
 SCALE 2/1
 SHT. 1 OF 1
 NEXT HIGHER ASSY. B-DD-M7607-0-0

DATE	5-12-84
DATE	5-12-84
DATE	10-1-84
TITLE	MAYFLOWER
SIZE	CODE
NUMBER	0 UA M7607-0-0 A
REV	

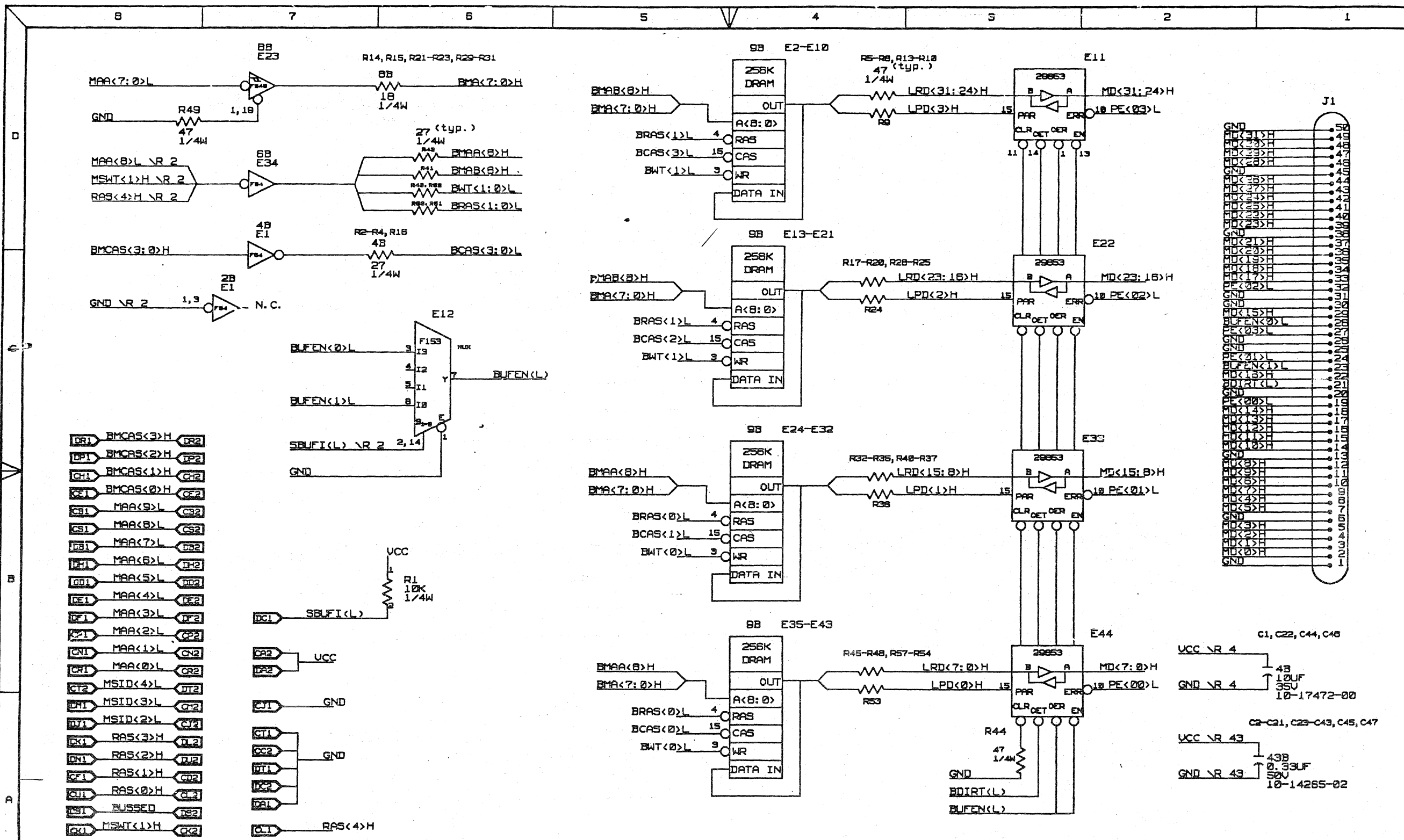
8 7 6 5 4 3 2 1 WO# 275257

LINE	ITEM	TOP DOCUMENT	PART NUMBER	MIN REV	DESCRIPTION	QTY PER VARIATION			REFERENCE DESIGNATOR
						AA	AC	AH	
						A1	A1	A1	
1	1	D-MD-5016498-0-0	5016498-01		CIRCUIT DRILL AND ETCH BOARD	1	1	1	
2	2		1014265-02		.33 MFD 50V +80-20% CER	43	43	43	C2-C21,C23-C43,C45,C47
3	3		1017472-00		10 MFD 35V +75-10% AL EL	4	4	4	C1,C22,C44,C46
4	4		1213543-01		HANDLE,UNIBUS MODULE,MAGENTA	1	1	1	
5	5		1214094-03		PCB,HEADER 50PIN(2X25).100CC	1	1	1	J1
6	6		1300202-00		47.0 .25 W 5.0 % CF	38	38	38	R5-R13,R17-R20,R24-R28,R32-R40, R44-R49,R53-R57
7	7		1300479-00		10.0 K .25 W 5.0 % CF	1	1	1	CONT R1
8	8		1301522-00		27.0 .25 W 5.0 % CF	10	10	10	R2-R4,R16,R41-R43,R50-R52
9	9		1302124-00		18.0 .25 W 5.0 % CF	8	8	8	R14,R15,R21-R23,R29-R31
10	10		1921008-01		74F240 BUFFER/LINE DRIVER,I	1	1	1	E23
11	11		1921307-01		74F04 HEX INVERTER	2	2	2	E1,E34
12	12		1921319-01		74F153 MUX,DUAL,4-IN	1	1	1	E12
13	13		1922871-01		TRANSCEIVER,PARITY B	4	4	4	E11,E22,E33,E44
14	14		2121413-02		41256 RAM 256KX1,DYNAMIC 1	-	-	36	E2-E10,E13-E21,E24-E32,E35-E43
15	15		2121415-02		81256-15 RAM 256KX1,DYNAMIC 1	-	36	-	E2-E10,E13-E21,E24-E32,E35-E43
16	16		9000024-01		EYELET,ROLLED 0.1210DX0.192	2	2	2	

- 17 NOTE: M7607-AA IS THE PRIMARY VARIATION OF THE 1MB MEMORY WITH NO RAMS INDICATED.
- 18 NOTE: M7607-AC IS THE 1MB MEMORY WITH FUJITSU 256K RAMS.
- 19 NOTE: M7607-AH IS THE 1MB MEMORY WITH NEC RAMS.

REVISION HISTORY			BASIC PART NO: M7607		DRN:	DATE:	DIGITAL			
ENG:	ECO NUMBER	REV	SECTION A OF A	CHK'D:	RITA BUREAU	19-DEC-83				
---	INITIAL	A	SECTION VARIATION INDEX	DAVID DROZD		19-APR-84	TITLE PARTS LIST			
			[A] AA,AC,AH				MS630-A			
			[B]	DES.ENG:	RICK LEAZER	14-MAY-84	DOCUMENT NUMBER			
			[C]				SIZE	CODE	NUMBER	REV
			[D]	RESP.ENG.:	RICK LEAZER	14-MAY-84	K	PL	M7607-0-DBP	A
			[E]							
			[F]	MFG.ENG.:	ART BROOKS	7-JUN-84	RELEASE DATE: 05-MAR-85			
			[H]							
			[J]	ASSEMBLY NUMBER:		TOP DOCUMENT NUMBER:	FILE NAME:		EDIT #	
			[K]	D-UA-M7607-A-0		B-DD-M7607-A-0	Z8782A.PLS		11	
			[L]							
			[M]							
			[N]							

"THIS DRAWING AND THE SPECIFICATIONS CONTAINED HEREIN ARE CONFIDENTIAL AND PROPRIETARY. THEY ARE THE PROPERTY OF DIGITAL EQUIPMENT CORPORATION AND SHALL NOT BE REPRODUCED OR COPIED OR USED IN WHOLE OR IN PART AS THE BASIS FOR THE MANUFACTURE OR SALE OF ITEMS WITHOUT WRITTEN PERMISSION. THIS IS AN UNPUBLISHED WORK PROTECTED UNDER THE FEDERAL COPYRIGHT LAWS."



THIS DRAWING AND SPECIFICATIONS, HEREIN, ARE THE PROPERTY OF DIGITAL EQUIPMENT CORPORATION AND SHALL NOT BE REPRODUCED OR COPIED IN WHOLE OR IN PART AS THE BASIS FOR THE MANUFACTURE OR SALE OF ITEMS WITHOUT WRITTEN PERMISSION. COPYRIGHT DIGITAL EQUIPMENT CORPORATION			REVISION HISTORY REV ECD NUMBER DATE	DRAWING TITLE=M5630A ABBREV=M5630A CIRCUIT_TYPE=MEMORY LAST_MODIFIED=Thu Mar 28 11:50:40 1985	DEFINE X_FIRST=0 X_STEP=SIZE digital	DRN: Rick Leazer CHK'D: Dave Drozd	DATE 28-JUN-84 DATE 28-JUN-84	ENG: Rick Leazer SHEET 1 OF 1 NEXT HIGHER ASSEMBLY: M5630-A	DATE 28-JUN-84 SIZE K CODE C5 NUMBER M7507-0-0 REV A	TITLE: MAYFLOWER 1MBYTE MEMORY
---	--	--	--	--	---	---	--	---	--	--

DRAWING NO.	NO. OF SHTS.	PART NO.	DESCRIPTION	REVISIONS														
				A1	B1	B1												
		M7608-AA	MS630-B	A1	B1	B1												
D-UA-M7608-0-0	1		MS630-B UNIT ASSEMBLY	A	-	B												
K-CS-M7608-0-1	12		MS630-B SCHEMATIC	A	B	B												
K-PL-M7608-0-DBP	1		MS630-B PARTS LIST	A	B	B												
K-PC-M7608-0-DBJ			P.C. DESIGN DATA BASE	D	D	E												
		5016495-01	ETCHED CIRCUIT BOARD	D2	D2	E1												
B-DD-5016495-0-0	1		DRAWING DIRECTORY	A	B	B												
K-CS-M7608-0-DBV			MS630-B VALID SCHEMATIC DATABASE	A	B	B												
D-UA-M7608-0-1	1		MS630-B UNIT ASSEMBLY	-	-	A												

NOTES:

REVISION HISTORY		REV.	
DATE	ECO NO.		
8/84		INIT	A
2/85		0001 REWORK VERSION	B
2/85		0001 NEW LAYOUT	

THIS DRAWING AND THE SPECIFICATIONS CONTAINED HEREIN ARE CONFIDENTIAL AND PROPRIETARY. THEY ARE THE PROPERTY OF DIGITAL EQUIPMENT CORPORATION AND SHALL NOT BE REPRODUCED OR COPIED OR USED IN WHOLE OR IN PART AS THE BASIS FOR THE MANUFACTURE OR SALE OF ITEMS WITHOUT WRITTEN PERMISSION. THIS IS AN UNPUBLISHED WORK PROTECTED UNDER THE FEDERAL COPYRIGHT LAWS.

1984



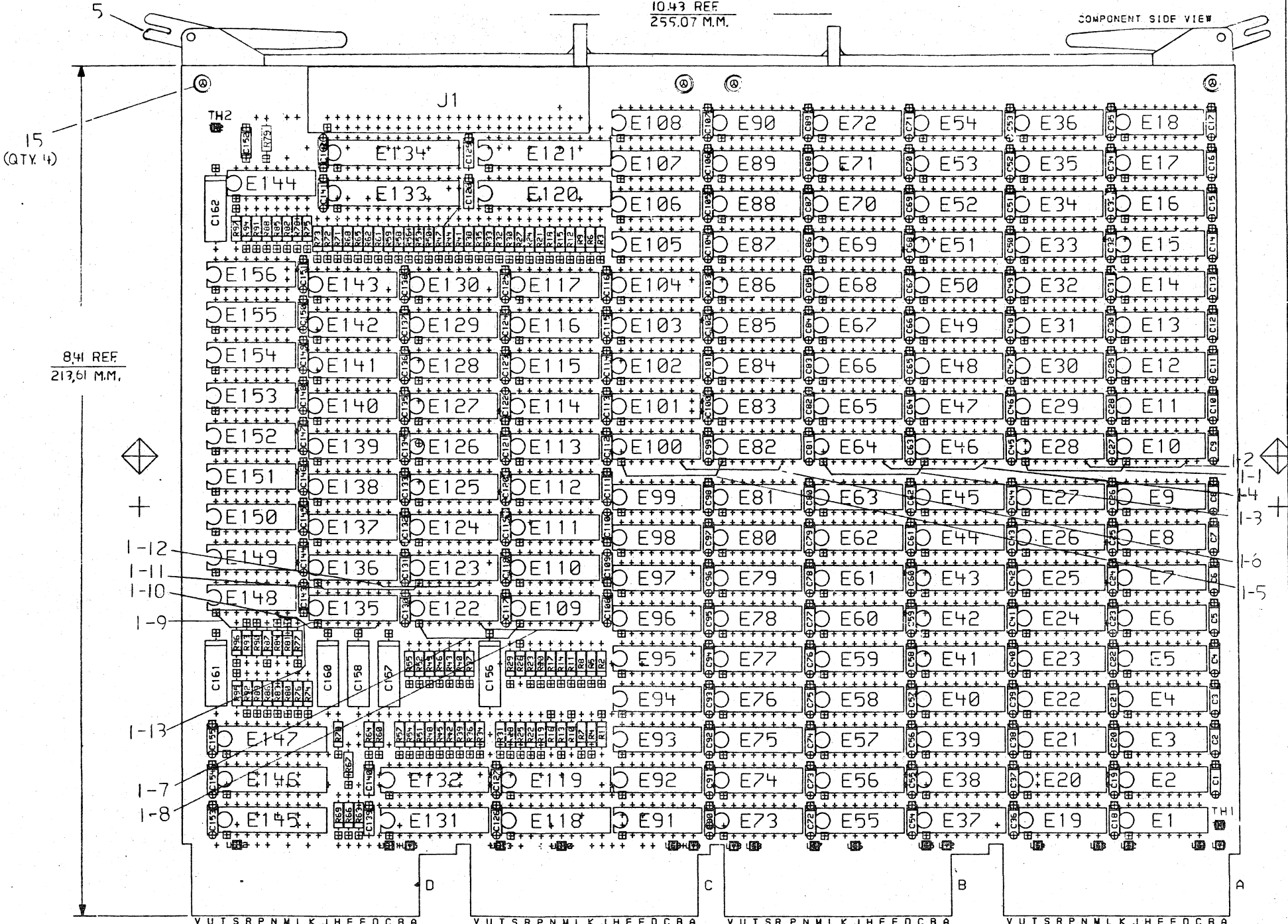
DRN.	D. DROZD	DATE	6/6/84
CHK'D	E. LANDRY	DATE	6/6/84
DES. ENG.	M. de MARE	DATE	6/6/84
RESP. ENG.	M. de MARE	DATE	6/6/84
MFG. ENG.	A. BROOKS	DATE	12/3/84

TITLE			
MS630-B			
DOCUMENT NUMBER			
SIZE	CODE	NUMBER	REV.
B	DD	M7608-0-0	B
SHEET 1 OF 1			

THIS DRAWING AND SPECIFICATIONS HEREIN ARE THE PROPERTY OF DIGITAL EQUIPMENT CORPORATION AND SHALL NOT BE REPRODUCED OR COPIED OR USED IN WHOLE OR IN PART AS THE BASIS FOR THE MANUFACTURE OR SALE OF ITEMS WITHOUT WRITTEN PERMISSION.
 1984 DIGITAL EQUIPMENT CORPORATION

REWORK INSTRUCTIONS
 WIRE ADDS SIDE 1 (AS SHOWN)

- I-1 FROM E23 PIN 1 TO E10 PIN 1
- I-2 FROM E28 PIN 7 TO E10 PIN 7
- I-3 FROM E64 PIN 1 TO E46 PIN 1
- I-4 FROM E64 PIN 7 TO E46 PIN 7
- I-5 FROM E100 PIN 1 TO E82 PIN 1
- I-6 FROM E100 PIN 7 TO E82 PIN 7
- I-7 FROM E122 PIN 1 TO E109 PIN 1
- I-8 FROM E122 PIN 7 TO E109 PIN 7
- I-9 FROM E143 PIN 1 TO E135 PIN 1
- I-10 FROM E143 PIN 7 TO E135 PIN 7
- I-11 FROM E136 PIN 1 TO E123 PIN 1
- I-12 FROM E136 PIN 7 TO E123 PIN 7
- I-13 FROM E148 PIN 7 TO R76 TOP



NOTES:

STEP	↑ Y AXIS	STEP	TIMES
REPEAT	→ X AXIS	STEP	TIMES

CHK	CHANGE NO	REV
✓	1	B
✓	2	C
✓	3	D
✓	4	E
✓	5	F
✓	6	G
✓	7	H
✓	8	I
✓	9	J
✓	10	K
✓	11	L
✓	12	M
✓	13	N
✓	14	O
✓	15	P
✓	16	Q
✓	17	R
✓	18	S
✓	19	T
✓	20	U
✓	21	V
✓	22	W
✓	23	X
✓	24	Y
✓	25	Z

SIGNATURES	DATE
DRN. B. E. CASSIDY	11-20-77
CHK'D. S. J. HUGHES	11-20-77
MECH. ENG. J. H. 16 11-20-77	11-20-77
PROJ. ENG. J. H. 16 11-20-77	11-20-77
PROD. J. H. 16 11-20-77	11-20-77
SCALE 2:1	
SHT. 1 OF 1	
ETCH REV. D2	
NEXT HIGHER ASSY. B-DD-M7608-0-0	

digital	
TITLE MS630-B	
SIZE CODE UA	NUMBER 1
REV B	

LINE	ITEM	TOP DOCUMENT	PART NUMBER	MIN REV	DESCRIPTION	QTY PER VARIATION				REFERENCE DESIGNATOR
						AA	AC	AH	BA	
						B1	B1	B1	B1	
1	1	D-MD-5016495-U-0	5016495-01		CIRCUIT DRILL AND ETCH	1	1	1	1	
2	2		1014265-02		.33 MFD 50V +80-20% CER	79	79	79	-	C36-C71,C108-C125,C128-C152
			CONT			-	-	-	155	C1-C155
3	3		1016549-00		47 MFD 10V +50-10% AL EL	2	2	2	2	C157,C160
4	4		1017472-00		10 MFD 35V +75-10% AL EL	4	4	4	4	C156,C158,C161,C162
5	5		1213113-03		HANDLE,MODULE	1	1	1	1	
6	6		1214094-03		PCB,HEADER 50PIN(2X25) .100CC	1	1	1	1	J1
7	7		1300197-00		33.0 .25 W 5.0 % CF	28	28	28	-	R20,R36,R37,R39,R40,R42,R43,R45, CONT R46,R48,R49,R51,R52,R54,R55,R57, CONT R60,R64,R66,R67,R70,R74,R76,R80, CONT R83,R86,R89,R92
			CONT			-	-	-	45	R1,R2,R5,R8,R11,R14,R17,R20,R23, CONT R34,R36,R37,R39,R40,R42,R43,R45, CONT R46,R48,R49,R51,R52,R54,R55,R57, CONT R60,R63,R64,R66,R67,R70,R74,R76, CONT R77,R80,R81,R83,R84,R86,R87,R89, CONT R90,R92,R93,R96
8	8		1300202-00		47.0 .25 W 5.0 % CF	39	39	39	-	R3,R6,R9,R12,R15,R18,R21,R24, CONT R26,R27,R29,R30,R32,R33,R35,R38, CONT R41,R44,R47,R50,R53,R56,R58,R59, CONT R61,R62,R65,R68,R71,R72,R73,R75, CONT R78,R79,R82,R85,R88,R91,R94
			CONT			-	-	-	40	R3,R6,R9,R12,R15,R18,R21,R24, CONT R26,R27,R29,R30,R32,R33,R35,R38, CONT R41,R44,R47,R50,R53,R56,R58,R59, CONT R61,R62,R65,R68,R71,R72,R73,R75, CONT R78,R79,R82,R85,R88,R91,R94,R95
9	9		1301969-00		22.0 .25 W 5.0 % CF	-	-	-	11	R4,R7,R10,R13,R16,R19,R22,R25, CONT R28,R31,R69
10	10		1302177-00		47.0 K .25 W 5.0 % CF	1	1	1	1	R97

REVISION HISTORY		BASIC PART NO: M7608		DRN: E. LANDRY	DATE: 08-AUG-84	DIGITAL		
ENG	ECO NUMBER	REV	SECTION A OF B	CHK'D: D. DROZD	DATE: 08-AUG-84	TITLE PARTS LIST		
---	INITIAL	A	SECTION VARIATION INDEX	DES.ENG: M. DEMARE	DATE: 08-AUG-84	DOCUMENT NUMBER		
MD	M7608-ML001	B	[A] AA,AC,AH,BA	RESP.ENG.: M. DEMARE	DATE: 08-AUG-84	SIZE	CODE	NUMBER
			[B] BC,BH	MFG.ENG.: M. DEMARE	DATE: 08-AUG-84	K	PL	M7608-0-DBP
			[C]	ASSEMBLY NUMBER:	TOP DOCUMENT NUMBER:	FILE NAME:		EDIT #
			[D]	D-UA-M7608-0-00	B-DD-M7608-0-00	Z8777B.PLS		17
			[E]			RELEASE DATE: 08-MAR-85		
			[F]					
			[G]					
			[H]					
			[I]					
			[J]					
			[K]					
			[L]					
			[M]					
			[N]					

"THIS DRAWING AND THE SPECIFICATIONS CONTAINED HEREIN ARE CONFIDENTIAL AND PROPRIETARY. THEY ARE THE PROPERTY OF DIGITAL EQUIPMENT CORPORATION AND SHALL NOT BE REPRODUCED OR COPIED OR USED IN WHOLE OR IN PART AS THE BASIS FOR THE MANUFACTURE OR SALE OF ITEMS WITHOUT WRITTEN PERMISSION. THIS IS AN UNPUBLISHED WORK PROTECTED UNDER THE FEDERAL COPYRIGHT LAWS."

LINE	ITEM	TOP DOCUMENT	PART NUMBER	MIN REV	DESCRIPTION	QTY PER VARIATION				REFERENCE DESIGNATOR
						AA	AC	AH	BA	
						B1	B1	B1	B1	
11	11		1921008-01		74F240 BUFFER/LINE DRIVER,I	5	5	5	-	E131,E132,E145-E147
			CONT			-	-	-	7	E118,E119,E131,E132,E145-E147
12	12		1921319-01		74F153 MUX,DUAL,4-IN	1	1	1	1	E144
13	13		1922871-01		TRANSCEIVER,PARITY B	4	4	4	4	E120,E121,E133,E134
14	14		2121413-02		41256 RAM 256KX1,DYNAMIC 1	-	-	72	-	E37-E72,E109-E117,E122-E130,
										CONT E135-E143,E148-E156
15	15		2121415-02		81256-15 RAM 256KX1,DYNAMIC 1	-	72	-	-	E37-E72,E109-E117,E122-E130,
										CONT E135-E143,E148-E156
16	16		2122421-02		*** THIS ITEM IS NOT USED ***	-	-	-	-	
17	17		9000024-01		EYELET,ROLLED 0.1210DX0.192	4	4	4	4	
18	18		9105740-55		WIRE(WRAP) 30AWG KYNAR UL14	A/R	A/R	A/R	A/R	

- 19 NOTE: M7608-AA IS THE PRIMARY VARIATION OF THE 2MB MEMORY WITH NO RAMS INDICATED.
- 20 NOTE: M7608-AC IS THE 2MB MEMORY WITH FUJISTSU 256K RAMS.
- 21 NOTE: M7608-AH IS THE 2MB MEMORY WITH NEC 256K RAMS.
- 22 NOTE: M7608-BA IS THE PRIMARY VARIATION OF THE 4 MB MEMORY MODULE WITH NO RAMS INDICATED.
- 23 NOTE: M7608-BC IS THE 4MB MEMORY WITH FUJISTSU 256K RAMS.
- 24 NOTE: M7608-BH IS THE 4MB MEMORY WITH NEC 256K RAMS.

D	I	G	I	T	A	L	TITLE	SECTION A OF B	SIZE	CODE	DOCUMENT NUMBER	REV
							MS630-B MEMORY ARRAY		K	PL	M7608-0-DBP	B

AUTOMATED BY PRTLST.5R(55)

PARTS LIST

SHEET B1 OF B2

LINE	ITEM	TOP DOCUMENT	PART NUMBER	MIN REV	DESCRIPTION	QTY PER VARIATION		REFERENCE DESIGNATOR
						BC	BH	
VARIATION REVISION LEVEL:						B1	B1	
1	1	D-MD-5016495-0-0	5016495-01		CIRCUIT DRILL AND ETCH	1	1	
2	2		1014265-02		.33 MFD 50V +80-20% CER	155	155	C1-C155
3	3		1016549-00		47 MFD 10V +50-10% AL EL	2	2	C157,C160
4	4		1017472-00		10 MFD 35V +75-10% AL EL	4	4	C156,C158,C161,C162
5	5		1213113-03		HANDLE,MODULE	1	1	
6	6		1214094-03		PCB,HEADER 50PIN(2X25).100CC	1	1	J1
7	7		1300197-00		33.0 .25 W 5.0 % CF	45	45	R1,R2,R5,R8,R11,R14,R17,R20,R23, CONT R34,R36,R37,R39,R40,R42,R43,R45, CONT R46,R48,R49,R51,R52,R54,R55,R57, CONT R60,R63,R64,R66,R67,R70,R74,R76, CONT R77,R80,R81,R83,R84,R86,R87,R89, CONT R90,R92,R93,R96
8	8		1300202-00		47.0 .25 W 5.0 % CF	40	40	R3,R6,R9,R12,R15,R18,R21,R24, CONT R26,R27,R29,R30,R32,R33,R35,R38, CONT R41,R44,R47,R50,R53,R56,R58,R59, CONT R61,R62,R65,R68,R71,R72,R73,R75, CONT R78,R79,R82,R85,R88,R91,R94,R95
9	9		1301969-00		22.0 .25 W 5.0 % CF	11	11	R4,R7,R10,R13,R16,R19,R22,R25, CONT R28,R31,R69
10	10		1302177-00		47.0 K .25 W 5.0 % CF	1	1	R97
11	11		1921008-01		74F240 BUFFER/LINE DRIVER,I	7	7	E118,E119,E131,E132,E145-E147
12	12		1921319-01		74F153 MUX,DUAL,4-IN	1	1	E144
13	13		1922871-01		TRANSCEIVER,PARITY B	4	4	E120,E121,E133,E134
14	14		2121413-02		41256 RAM 256KX1,DYNAMIC 1	-	144	E1-E117,E122-E130,E135-E143, CONT E148-E156
15	15		2121415-02		81256-15 RAM 256KX1,DYNAMIC 1	144	-	E1-E117,E122-E130,E135-E143, CONT E148-E156
16	16		2122421-02		*** THIS ITEM IS NOT USED ***	-	-	
17	17		9000024-01		EYELET,ROLLED 0.1210DX0.192	4	4	
18	18		9105740-55		WIRE(WRAP) 30AWG KYNAR UL14	A/R	A/R	

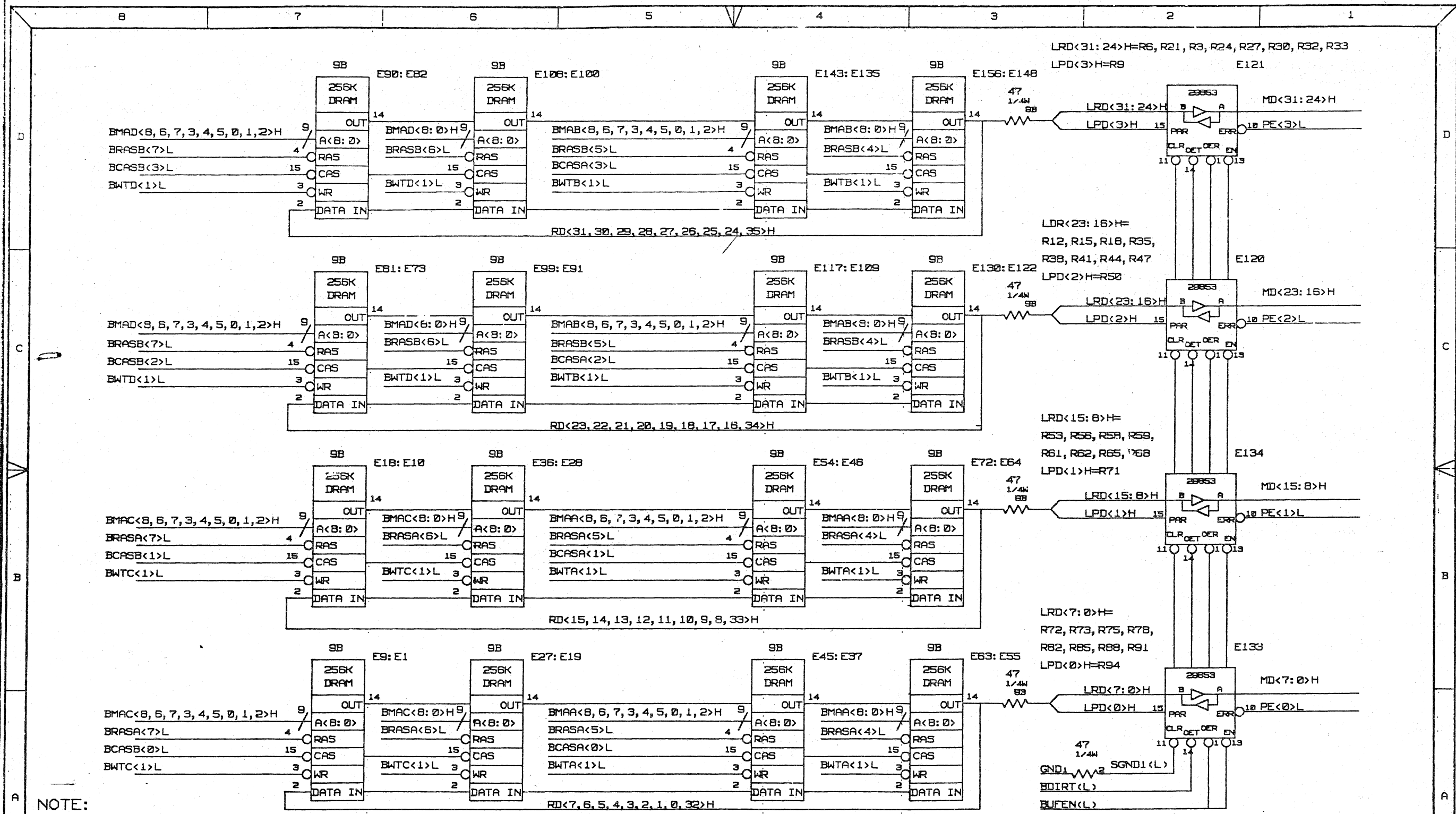
REVISION HISTORY			BASIC PART NO: M7608		DRN:	E. LANDRY	DATE:	08-AUG-84	DIGITAL			
ENG:	ECO NUMBER	REV	SECTION B OF B		CHK'D:	D. DROZD	DATE:	08-AUG-84	TITLE PARTS LIST			
---	INITIAL	A	SECTION VARIATION INDEX		DES.ENG:	M. DEMARE	DATE:	08-AUG-84	DOCUMENT NUMBER			
MD	M7608-ML001	B	[A]	AA,AC,AH,BA	RESP.ENG.:	M. DEMARE	DATE:	08-AUG-84	SIZE	CODE	NUMBER	REV
			[B]	BC,BH	MFG.ENG.:	M. DEMARE	DATE:	08-AUG-84	K	PL	M7608-0-DBP	B
			[C]		ASSEMBLY NUMBER:		TOP DOCUMENT NUMBER:		RELEASE DATE:		08-MAR-85	
			[D]		D-UA-M7608-0-00	B-DD-M7608-0-00	FILE NAME:	Z8777B.PLS		EDIT #		
			[E]							17		
			[F]									
			[H]									
			[J]									
			[K]									
			[L]									
			[M]									
			[N]									

"THIS DRAWING AND THE SPECIFICATIONS CONTAINED HEREIN ARE CONFIDENTIAL AND PROPRIETARY. THEY ARE THE PROPERTY OF DIGITAL EQUIPMENT CORPORATION AND SHALL NOT BE REPRODUCED OR COPIED OR USED IN WHOLE OR IN PART AS THE BASIS FOR THE MANUFACTURE OR SALE OF ITEMS WITHOUT WRITTEN PERMISSION. THIS IS AN UNPUBLISHED WORK PROTECTED UNDER THE FEDERAL COPYRIGHT LAWS."

LINE ITEM	TOP DOCUMENT	PART NUMBER	MIN REV	DESCRIPTION	QTY PER VARIATION	REFERENCE DESIGNATOR
				VARIATION REVISION LEVEL:	BC BH B1 B1	

- 19 NOTE: M7608-AA IS THE PRIMARY VARIATION OF THE 2MB MEMORY WITH NO RAMS INDICATED.
- 20 NOTE: M7608-AC IS THE 2MB MEMORY WITH FUJISTSU 256K RAMS.
- 21 NOTE: M7608-AH IS THE 2MB MEMORY WITH NEC 256K RAMS.
- 22 NOTE: M7608-BA IS THE PRIMARY VARIATION OF THE 4 MB MEMORY MODULE WITH NO RAMS INDICATED.
- 23 NOTE: M7608-BC IS THE 4MB MEMORY WITH FUJISTSU 256K RAMS.
- 24 NOTE: M7608-BH IS THE 4MB MEMORY WITH NEC 256K RAMS.

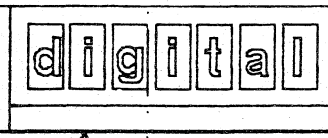
D I G I T A L	TITLE	MS630-B MEMORY ARRAY	SECTION B OF B	SIZE	CODE	DOCUMENT NUMBER	REV
				K	PL	M7608-0-DBP	B



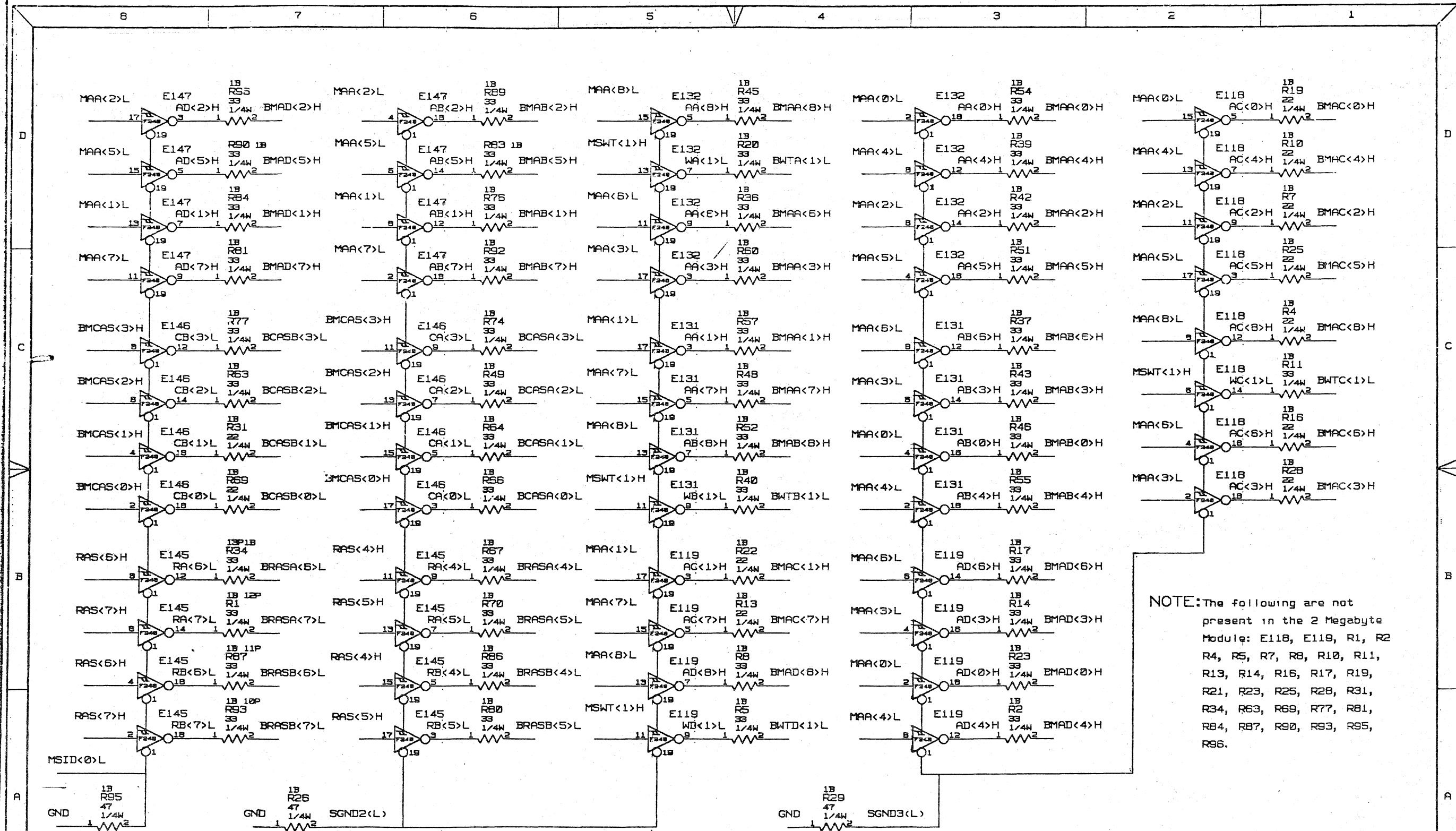
NOTE:
RAM E1 through E36 and E73 through E108
are not present in the 2 Megabyte Module

*THIS DRAWING AND SPECIFICATIONS, HEREIN, ARE THE
PROPERTY OF DIGITAL EQUIPMENT CORPORATION AND
SHALL NOT BE REPRODUCED OR COPIED OR USED IN WHOLE
OR IN PART AS THE BASIS FOR THE MANUFACTURE OR SALE
OF ITEMS WITHOUT WRITTEN PERMISSION.
COPYRIGHT 1984 DIGITAL EQUIPMENT CORPORATION*

REVISION HISTORY			DEFINE	DRAWING
REV	ECO NUMBER	DATE		TITLE=MS630B
			X_FIRST=0 X_STEP=SIZE	ABBREV=MSA
			LAST_MODIFIED=Thu Mar 14 16:18:25 1985	



DRN: Malcolm de Mare	DATE 23-OCT-84	ENG: Malcolm de Mare	DATE 18-SEPT-84	TITLE: MS630-B
CHK'D: Dave Drozd	DATE 23-OCT-84	SHEET 1 OF 12	NEXT HIGHER ASSEMBLY: B-DD-M7608-0-0	SIZE K
			CODE CS	NUMBER M7608-0-1
			REV B	



NOTE: The following are not present in the 2 Megabyte Module: E118, E119, R1, R2, R4, R5, R7, R8, R10, R11, R13, R14, R16, R17, R19, R21, R23, R25, R28, R31, R34, R63, R69, R77, R81, R84, R87, R90, R93, R95, R96.

*THIS DRAWING AND SPECIFICATIONS, HEREIN, ARE THE PROPERTY OF DIGITAL EQUIPMENT CORPORATION AND SHALL NOT BE REPRODUCED OR COPIED OR USED IN WHOLE OR IN PART AS THE BASIS FOR THE MANUFACTURE OR SALE OF ITEMS WITHOUT WRITTEN PERMISSION.

COPYRIGHT 1984 DIGITAL EQUIPMENT CORPORATION*

REVISION HISTORY		
REV	ECO NUMBER	DATE

DRAWING
LAST_MODIFIED=Thu Mar 14 16:28:00 1985



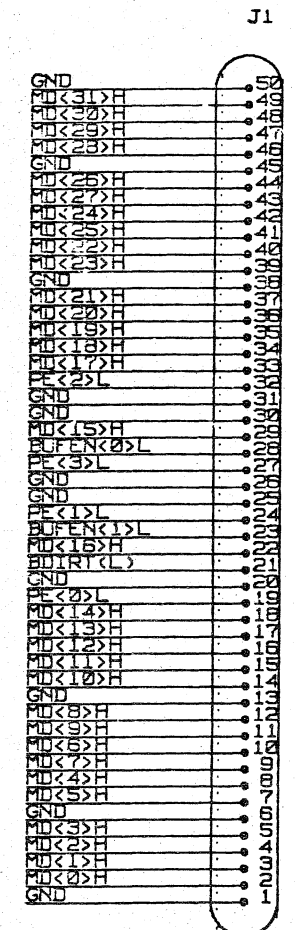
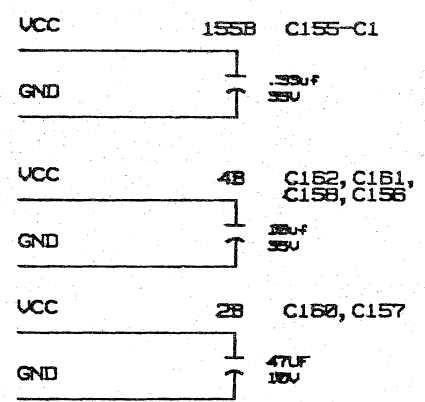
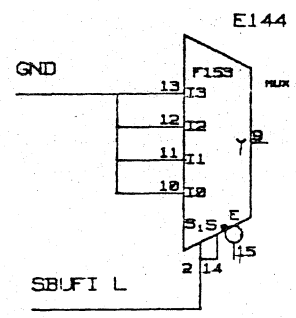
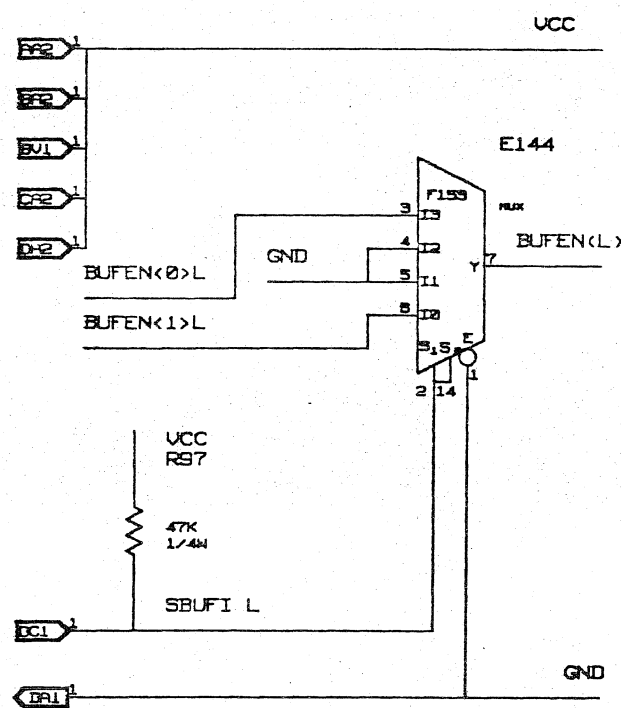
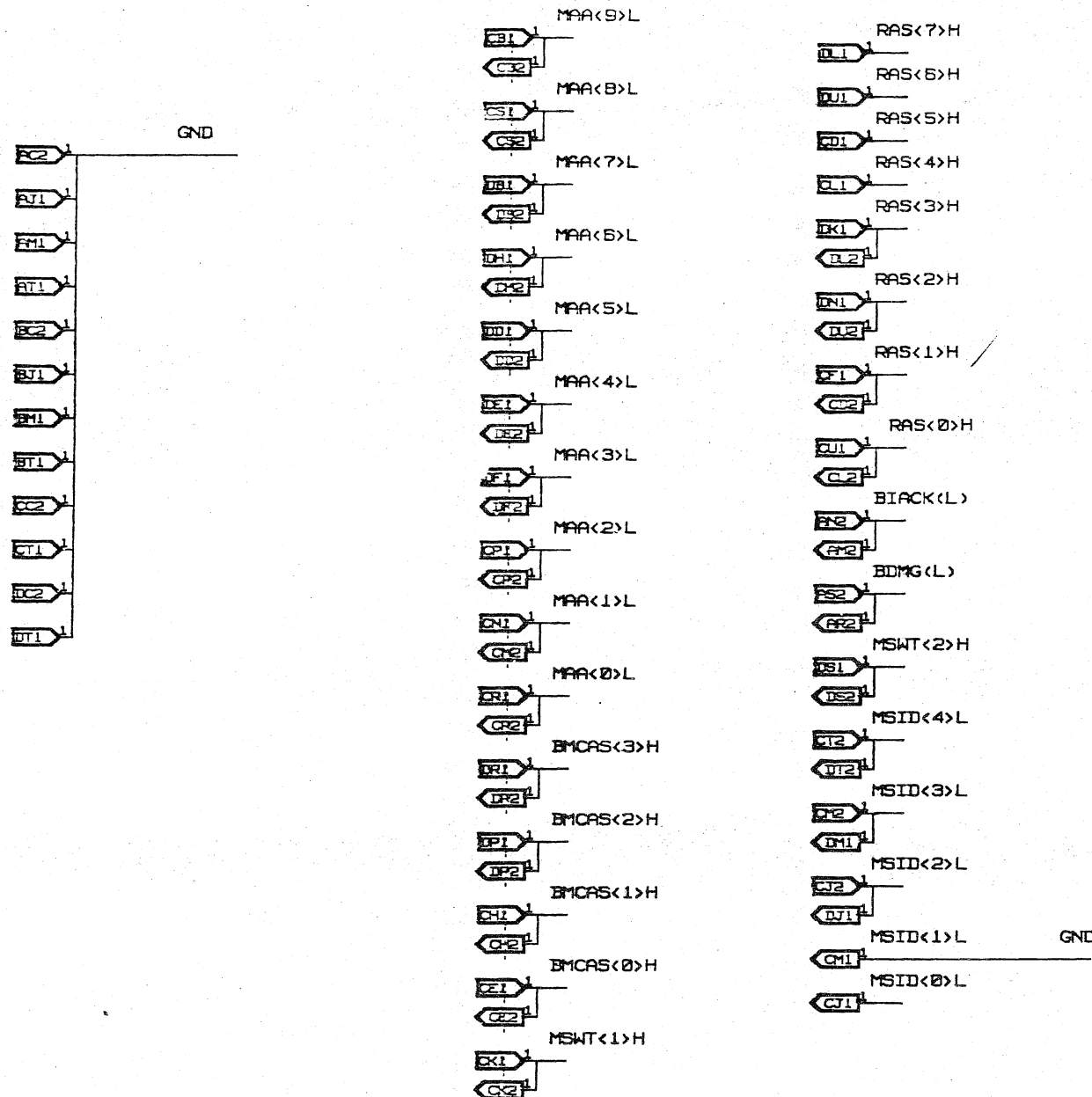
DRN: Malcolm de mare
CHK'D: Dave Drozd

DATE: 23-OCT-84
DATE: 23-OCT-84

ENG: Malcolm de Mare
SHEET: 2 OF 12
NEXT HIGHER ASSEMBLY: B-DD-M7608-0-0

TITLE: MS630-B

SIZE	CODE	NUMBER	REV
K	CS	M7608-0-1	B



NOTE: C1 through C36 and C73 through C108 are not present on the 2 Megabyte Module.

THIS DRAWING AND SPECIFICATIONS, HEREIN, ARE THE PROPERTY OF DIGITAL EQUIPMENT CORPORATION AND SHALL NOT BE REPRODUCED OR COPIED OR USED IN WHOLE OR IN PART AS THE BASIS FOR THE MANUFACTURE OR SALE OF ITEMS WITHOUT WRITTEN PERMISSION.
 COPYRIGHT 1984 DIGITAL EQUIPMENT CORPORATION

REVISION HISTORY		
REV	ECO NUMBER	DATE

DRAWING
 LAST_MODIFIED=Thu Mar 14 16:21:48 1985

digital

DRN: Malcolm de Mara	DATE: 23-OCT-84	ENG: Malcolm de Mara	DATE: 20-SEP-84	TITLE: MS630-B
CHK'D: Dave Drozd	DATE: 23-OCT-84	SHEET: 3 OF 12	SIZE: K CS NUMBER: M7608-0-1 REV: B	
NEXT HIGHER ASSEMBLY: B-DD-M7608-0-0				

8			7			6			5			4			3			2			1		
SIGNAL	PART	PIN	SIGNAL	PART	PIN	SIGNAL	PART	PIN	SIGNAL	PART	PIN	SIGNAL	PART	PIN	SIGNAL	PART	PIN	SIGNAL	PART	PIN			
AA0	E132	18	AD2	R96	1	BCASAL2	E117	15	BCASBL1	E29	15	BMAA0	E40	6	BMAA1	E62	7						
AA0	R54	1	AD3	E119	16	BCASAL2	E122	15	BCASBL1	E30	15	BMAA0	E41	6	BMAA1	E63	7						
AA1	E131	3	AD3	R14	1	BCASAL2	E123	15	BCASBL1	E31	15	BMAA0	E42	6	BMAA1	E64	7						
AA1	R57	1	AD4	E119	12	BCASAL2	E124	15	BCASBL1	E32	15	BMAA0	E43	6	BMAA1	E65	7						
AA2	E132	14	AD4	R2	1	BCASAL2	E125	15	BCASBL1	E33	15	BMAA0	E44	6	BMAA1	E66	7						
AA2	R42	1	AD5	E147	5	BCASAL2	E126	15	BCASBL1	E34	15	BMAA0	E45	6	BMAA1	E67	7						
AA3	E132	3	AD5	R90	1	BCASAL2	E127	15	BCASBL1	E35	15	BMAA0	E46	6	BMAA1	E68	7						
AA3	R60	1	AD6	E119	14	BCASAL2	E128	15	BCASBL1	E36	15	BMAA0	E47	6	BMAA1	E69	7						
AA4	E132	12	AD6	R17	1	BCASAL2	E129	15	BCASBL1	R31	2	BMAA0	E48	6	BMAA1	E70	7						
AA4	R39	1	AD7	E147	9	BCASAL2	E130	15	BCASBL2	E73	15	BMAA0	E49	6	BMAA1	E71	7						
AA5	E132	16	AD7	R81	1	BCASAL2	R49	2	BCASBL2	E74	15	BMAA0	E50	6	BMAA1	E72	7						
AA5	R51	1	AD8	E119	7	BCASAL3	E135	15	BCASBL2	E75	15	BMAA0	E51	6	BMAA1	R57	2						
AA6	E132	9	AD8	R8	1	BCASAL3	E136	15	BCASBL2	E76	15	BMAA0	E52	6	BMAA2	E37	5						
AA6	R36	1	BCASAL0	E37	15	BCASAL3	E137	15	BCASBL2	E77	15	BMAA0	E53	6	BMAA2	E38	5						
AA7	E131	5	BCASAL0	E38	15	BCASAL3	E138	15	BCASBL2	E78	15	BMAA0	E54	6	BMAA2	E39	5						
AA7	R46	1	BCASAL0	E39	15	BCASAL3	E139	15	BCASBL2	E79	15	BMAA0	E55	5	BMAA2	E40	5						
AA8	E132	5	BCASAL0	E40	15	BCASAL3	E140	15	BCASBL2	E80	15	BMAA0	E56	5	BMAA2	E41	5						
AA8	R45	1	BCASAL0	E41	15	BCASAL3	E141	15	BCASBL2	E81	15	BMAA0	E57	5	BMAA2	E42	5						
AB0	E131	16	BCASAL0	E42	15	BCASAL3	E142	15	BCASBL2	E91	15	BMAA0	E58	5	BMAA2	E43	5						
AB0	R46	1	BCASAL0	E43	15	BCASAL3	E143	15	BCASBL2	E92	15	BMAA0	E59	5	BMAA2	E44	5						
AB1	E147	12	BCASAL0	E44	15	BCASAL3	E144	15	BCASBL2	E93	15	BMAA0	E60	5	BMAA2	E45	5						
AB1	R76	1	BCASAL0	E45	15	BCASAL3	E145	15	BCASBL2	E94	15	BMAA0	E61	5	BMAA2	E46	5						
AB2	E147	16	BCASAL0	E55	15	BCASAL3	E150	15	BCASBL2	E95	15	BMAA0	E62	5	BMAA2	E47	5						
AB2	R89	1	BCASAL0	E56	15	BCASAL3	E151	15	BCASBL2	E96	15	BMAA0	E63	5	BMAA2	E48	5						
AB3	E131	14	BCASAL0	E57	15	BCASAL3	E152	15	BCASBL2	E97	15	BMAA0	E64	5	BMAA2	E49	5						
AB3	R43	1	BCASAL0	E58	15	BCASAL3	E153	15	BCASBL2	E98	15	BMAA0	E65	5	BMAA2	E50	5						
AB4	E131	18	BCASAL0	E59	15	BCASAL3	E154	15	BCASBL2	E99	15	BMAA0	E66	5	BMAA2	E51	5						
AB4	R55	1	BCASAL0	E60	15	BCASAL3	E155	15	BCASBL2	R63	2	BMAA0	E67	5	BMAA2	E52	5						
AB5	E147	14	BCASAL0	E61	15	BCASAL3	E156	15	BCASBL3	E100	15	BMAA0	E68	5	BMAA2	E53	5						
AB5	R83	1	BCASAL0	E62	15	BCASAL3	R74	2	BCASBL3	E101	15	BMAA0	E69	5	BMAA2	E54	5						
AB6	E131	12	BCASAL0	E63	15	BCASBL0	E1	15	BCASBL3	E102	15	BMAA0	E70	5	BMAA2	E55	6						
AB6	R37	1	BCASAL0	R66	2	BCASBL0	E19	15	BCASBL3	E103	15	BMAA0	E71	5	BMAA2	E56	6						
AB7	E147	18	BCASAL1	E46	15	BCASBL0	E2	15	BCASBL3	E104	15	BMAA0	E72	5	BMAA2	E57	6						
AB7	R92	1	BCASAL1	E47	15	BCASBL0	E20	15	BCASBL3	E105	15	BMAA0	R54	2	BMAA2	E58	6						
AB8	E131	7	BCASAL1	E48	15	BCASBL0	E21	15	BCASBL3	E106	15	BMAA1	E37	7	BMAA2	E59	6						
AB8	R52	1	BCASAL1	E49	15	BCASBL0	E22	15	BCASBL3	E107	15	BMAA1	E38	7	BMAA2	E60	6						
AC0	E118	5	BCASAL1	E50	15	BCASBL0	E23	15	BCASBL3	E108	15	BMAA1	E39	7	BMAA2	E61	6						
AC0	R19	1	BCASAL1	E51	15	BCASBL0	E24	15	BCASBL3	E82	15	BMAA1	E40	7	BMAA2	E62	6						
AC1	E119	3	BCASAL1	E52	15	BCASBL0	E25	15	BCASBL3	E83	15	BMAA1	E41	7	BMAA2	E63	6						
AC1	R22	1	BCASAL1	E53	15	BCASBL0	E26	15	BCASBL3	E84	15	BMAA1	E42	7	BMAA2	E64	6						
AC2	E118	9	BCASAL1	E54	15	BCASBL0	E27	15	BCASBL3	E85	15	BMAA1	E43	7	BMAA2	E65	6						
AC2	R7	1	BCASAL1	E64	15	BCASBL0	E3	15	BCASBL3	E86	15	BMAA1	E44	7	BMAA2	E66	6						
AC3	E118	18	BCASAL1	E65	15	BCASBL0	E4	15	BCASBL3	E87	15	BMAA1	E45	7	BMAA2	E67	6						
AC3	R28	1	BCASAL1	E66	15	BCASBL0	E5	15	BCASBL3	E88	15	BMAA1	E46	7	BMAA2	E68	6						
AC4	E118	7	BCASAL1	E67	15	BCASBL0	E6	15	BCASBL3	E89	15	BMAA1	E47	7	BMAA2	E69	6						
AC4	R10	1	BCASAL1	E68	15	BCASBL0	E7	15	BCASBL3	E90	15	BMAA1	E48	7	BMAA2	E70	6						
AC5	E118	3	BCASAL1	E69	15	BCASBL0	E8	15	BCASBL3	R77	2	BMAA1	E49	7	BMAA2	E71	6						
AC5	R25	1	BCASAL1	E70	15	BCASBL0	E9	15	BDIRTL	E120	14	BMAA1	E50	7	BMAA2	E72	6						
AC6	E118	16	BCASAL1	E71	15	BCASBL0	R69	2	BDIRTL	E121	14	BMAA1	E51	7	BMAA2	R42	2						
AC6	R16	1	BCASAL1	E72	15	BCASBL1	E10	15	BDIRTL	E133	14	BMAA1	E52	7	BMAA3	E37	10						
AC7	E119	5	BCASAL1	R64	2	BCASBL1	E11	15	BDIRTL	E134	14	BMAA1	E53	7	BMAA3	F38	10						
AC7	R13	1	BCASAL2	E109	15	BCASBL1	E12	15	BDIRTL	J1	21	BMAA1	E54	7	BMAA3	E39	10						
AC8	E118	12	BCASAL2	E110	15	BCASBL1	E13	15	BDMGL	AR2	1	BMAA1	E55	7	BMAA3	E40	10						
AC8	R4	1	BCASAL2	E111	15	BCASBL1	E14	15	BDMGL	AS2	1	BMAA1	E56	7	BMAA3	E41	10						
AD0	E119	18	BCASAL2	E112	15	BCASBL1	E15	15	BIACKL	AM2	1	BMAA1	E57	7	BMAA3	E42	10						
AD0	R23	1	BCASAL2	E113	15	BCASBL1	E16	15	BIACKL	AN2	1	BMAA1	E58	7	BMAA3	E43	10						
AD1	E147	7	BCASAL2	E114	15	BCASBL1	E17	15	BMAA0	E37	6	BMAA1	E59	7	BMAA3	E44	10						
AD1	R84	1	BCASAL2	E115	15	BCASBL1	E18	15	BMAA0	E38	6	BMAA1	E60	7	BMAA3	E45	10						
AD2	E147	3	BCASAL2	E116	15	BCASBL1	E28	15	BMAA0	E39	6	BMAA1	E61	7	BMAA3	E46	10						

*THIS DRAWING AND SPECIFICATIONS, HEREIN, ARE THE PROPERTY OF DIGITAL EQUIPMENT CORPORATION AND SHALL NOT BE REPRODUCED OR COPIED OR USED IN WHOLE OR IN PART AS THE BASIS FOR THE MANUFACTURE OR SALE OF ITEMS WITHOUT WRITTEN PERMISSION.
 COPYRIGHT 1984 DIGITAL EQUIPMENT CORPORATION*

REVISION HISTORY		
REV	ECO NUMBER	DATE

DRAWING
 LAST MODIFIED=Thu Mar 14 16:22:38 1985

digital

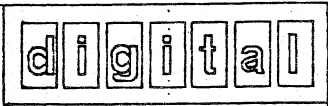
DRN: Malcolm de Mare	DATE: 23-OCT-84	ENG: Malcolm de Mare	DATE: 20-SEP-84	TITLE: MS630-B
CHK'D: Dave Drozd	DATE: 23-OCT-84	SHEET: 4 OF 12		
NEXT HIGHER ASSEMBLY: B-DD-M7603-0-0				SIZE: K
			COLE: CS	NUMBER: M7603-0-1
				REV: B

SIGNAL	PART	PIN	SIGNAL	PART	PIN	SIGNAL	PART	PIN	SIGNAL	PART	PIN	SIGNAL	PART	PIN	SIGNAL	PART	PIN
BMAA3	E47	10	BMAA4	E69	11	BMAA6	E54	9	BMAA8	E39	1	BMAB0	E141	6	BMAB2	E122	6
BMAA3	E48	10	BMAA4	E70	11	BMAA6	E55	13	BMAA8	E40	1	BMAB0	E142	6	BMAB2	E123	6
BMAA3	E49	10	BMAA4	E71	11	BMAA6	E56	13	BMAA8	E41	1	BMAB0	E143	6	BMAB2	E124	6
BMAA3	E50	10	BMAA4	E72	11	BMAA6	E57	13	BMAA8	E42	1	BMAB0	E148	5	BMAB2	E125	6
BMAA3	E51	10	BMAA4	R39	2	BMAA6	E58	13	BMAA8	E43	1	BMAB0	E149	5	BMAB2	E126	6
BMAA3	E52	10	BMAA5	E37	12	BMAA6	E59	13	BMAA8	E44	1	BMAB0	E150	5	BMAB2	E127	6
BMAA3	E53	10	BMAA5	E38	12	BMAA6	E60	13	BMAA8	E45	1	BMAB0	E151	5	BMAB2	E128	6
BMAA3	E54	10	BMAA5	E39	12	BMAA6	E61	13	BMAA8	E46	1	BMAB0	E152	5	BMAB2	E129	6
BMAA3	E55	12	BMAA5	E40	12	BMAA6	E62	13	BMAA8	E47	1	BMAB0	E153	5	BMAB2	E130	6
BMAA3	E56	12	BMAA5	E41	12	BMAA6	E63	13	BMAA8	E48	1	BMAB0	E154	5	BMAB2	E135	5
BMAA3	E57	12	BMAA5	E42	12	BMAA6	E64	13	BMAA8	E49	1	BMAB0	E155	5	BMAB2	E136	5
BMAA3	E58	12	BMAA5	E43	12	BMAA6	E65	13	BMAA8	E50	1	BMAB0	E156	5	BMAB2	E137	5
BMAA3	E59	12	BMAA5	E44	12	BMAA6	E66	13	BMAA8	E51	1	BMAB0	R46	2	BMAB2	E138	5
BMAA3	E60	12	BMAA5	E45	12	BMAA6	E67	13	BMAA8	E52	1	BMAB1	E109	7	BMAB2	E139	5
BMAA3	E61	12	BMAA5	E46	12	BMAA6	E68	13	BMAA8	E53	1	BMAB1	E110	7	BMAB2	E140	5
BMAA3	E62	12	BMAA5	E47	12	BMAA6	E69	13	BMAA8	E54	1	BMAB1	E111	7	BMAB2	E141	5
BMAA3	E63	12	BMAA5	E48	12	BMAA6	E70	13	BMAA8	E55	1	BMAB1	E112	7	BMAB2	E142	5
BMAA3	E64	12	BMAA5	E49	12	BMAA6	E71	13	BMAA8	E56	1	BMAB1	E113	7	BMAB2	E143	5
BMAA3	E65	12	BMAA5	E50	12	BMAA6	E72	13	BMAA8	E57	1	BMAB1	E114	7	BMAB2	E148	6
BMAA3	E66	12	BMAA5	E51	12	BMAA6	R36	2	BMAA8	E58	1	BMAB1	E115	7	BMAB2	E149	6
BMAA3	E67	12	BMAA5	E52	12	BMAA7	E37	13	BMAA8	E59	1	BMAB1	E116	7	BMAB2	E150	6
BMAA3	E68	12	BMAA5	E53	12	BMAA7	E38	13	BMAA8	E60	1	BMAB1	E117	7	BMAB2	E151	6
BMAA3	E69	12	BMAA5	E54	12	BMAA7	E39	13	BMAA8	E61	1	BMAB1	E122	7	BMAB2	E152	6
BMAA3	E70	12	BMAA5	E55	10	BMAA7	E40	13	BMAA8	E62	1	BMAB1	E123	7	BMAB2	E153	6
BMAA3	E71	12	BMAA5	E56	10	BMAA7	E41	13	BMAA8	E63	1	BMAB1	E124	7	BMAB2	E154	6
BMAA3	E72	12	BMAA5	E57	10	BMAA7	E42	13	BMAA8	E64	1	BMAB1	E125	7	BMAB2	E155	6
BMAA3	R60	2	BMAA5	E58	10	BMAA7	E43	13	BMAA8	E65	1	BMAB1	E126	7	BMAB2	E156	6
BMAA4	E37	11	BMAA5	E59	10	BMAA7	E44	13	BMAA8	E66	1	BMAB1	E127	7	BMAB2	R89	2
BMAA4	E38	11	BMAA5	E60	10	BMAA7	E45	13	BMAA8	E67	1	BMAB1	E128	7	BMAB3	E109	10
BMAA4	E39	11	BMAA5	E61	10	BMAA7	E46	13	BMAA8	E68	1	BMAB1	E129	7	BMAB3	E110	10
BMAA4	E40	11	BMAA5	E62	10	BMAA7	E47	13	BMAA8	E69	1	BMAB1	E130	7	BMAB3	E111	10
BMAA4	E41	11	BMAA5	E63	10	BMAA7	E48	13	BMAA8	E70	1	BMAB1	E135	7	BMAB3	E112	10
BMAA4	E42	11	BMAA5	E64	10	BMAA7	E49	13	BMAA8	E71	1	BMAB1	E136	7	BMAB3	E113	10
BMAA4	E43	11	BMAA5	E65	10	BMAA7	E50	13	BMAA8	E72	1	BMAB1	E137	7	BMAB3	E114	10
BMAA4	E44	11	BMAA5	E66	10	BMAA7	E51	13	BMAA8	R45	2	BMAB1	E138	7	BMAB3	E115	10
BMAA4	E45	11	BMAA5	E67	10	BMAA7	E52	13	BMAB0	E109	5	BMAB1	E139	7	BMAB3	E116	10
BMAA4	E46	11	BMAA5	E68	10	BMAA7	E53	13	BMAB0	E110	5	BMAB1	E140	7	BMAB3	E117	10
BMAA4	E47	11	BMAA5	E69	10	BMAA7	E54	13	BMAB0	E111	5	BMAB1	E141	7	BMAB3	E122	12
BMAA4	E48	11	BMAA5	E70	10	BMAA7	E55	9	BMAB0	E112	5	BMAB1	E142	7	BMAB3	E123	12
BMAA4	E49	11	BMAA5	E71	10	BMAA7	E56	9	BMAB0	E113	5	BMAB1	E143	7	BMAB3	E124	12
BMAA4	E50	11	BMAA5	E72	10	BMAA7	E57	9	BMAB0	E114	5	BMAB1	E148	7	BMAB3	E125	12
BMAA4	E51	11	BMAA6	R51	2	BMAA7	E58	9	BMAB0	E115	5	BMAB1	E149	7	BMAB3	E126	12
BMAA4	E52	11	BMAA6	E37	9	BMAA7	E59	9	BMAB0	E116	5	BMAB1	E150	7	BMAB3	E127	12
BMAA4	E53	11	BMAA6	E38	9	BMAA7	E60	9	BMAB0	E117	5	BMAB1	E151	7	BMAB3	E128	12
BMAA4	E54	11	BMAA6	E39	9	BMAA7	E61	9	BMAB0	E122	5	BMAB1	E152	7	BMAB3	E129	12
BMAA4	E55	11	BMAA6	E40	9	BMAA7	E62	9	BMAB0	E123	5	BMAB1	E153	7	BMAB3	E130	12
BMAA4	E56	11	BMAA6	E41	9	BMAA7	E63	9	BMAB0	E124	5	BMAB1	E154	7	BMAB3	E135	10
BMAA4	E57	11	BMAA6	E42	9	BMAA7	E64	9	BMAB0	E125	5	BMAB1	E155	7	BMAB3	E136	10
BMAA4	E58	11	BMAA6	E43	9	BMAA7	E65	9	BMAB0	E126	5	BMAB1	E156	7	BMAB3	E137	10
BMAA4	E59	11	BMAA6	E44	9	BMAA7	E66	9	BMAB0	E127	5	BMAB1	R76	2	BMAB3	E138	10
BMAA4	E60	11	BMAA6	E45	9	BMAA7	E67	9	BMAB0	E128	5	BMAB2	E109	5	BMAB3	E139	10
BMAA4	E61	11	BMAA6	E46	9	BMAA7	E68	9	BMAB0	E129	5	BMAB2	E110	5	BMAB3	E140	10
BMAA4	E62	11	BMAA6	E47	9	BMAA7	E69	9	BMAB0	E130	5	BMAB2	E111	5	BMAB3	E141	10
BMAA4	E63	11	BMAA6	E48	9	BMAA7	E70	9	BMAB0	E135	5	BMAB2	E112	5	BMAB3	E142	10
BMAA4	E64	11	BMAA6	E49	9	BMAA7	E71	9	BMAB0	E136	5	BMAB2	E113	5	BMAB3	E143	10
BMAA4	E65	11	BMAA6	E50	9	BMAA7	E72	9	BMAB0	E137	5	BMAB2	E114	5	BMAB3	E148	12
BMAA4	E66	11	BMAA6	E51	9	BMAA8	R48	2	BMAB0	E138	5	BMAB2	E115	5	BMAB3	E149	12
BMAA4	E67	11	BMAA6	E52	9	BMAA8	E37	7	BMAB0	E139	5	BMAB2	E116	5	BMAB3	E150	12
BMAA4	E68	11	BMAA6	E53	9	BMAA8	E38	1	BMAB0	E140	5	BMAB2	E117	5	BMAB3	E151	12

"THIS DRAWING AND SPECIFICATIONS, HEREIN, ARE THE PROPERTY OF DIGITAL EQUIPMENT CORPORATION AND SHALL NOT BE REPRODUCED OR COPIED OR USED IN WHOLE OR IN PART AS THE BASIS FOR THE MANUFACTURE OR SALE OF ITEMS WITHOUT WRITTEN PERMISSION."
 COPYRIGHT 1984 DIGITAL EQUIPMENT CORPORATION

REVISION HISTORY		
REV	ECO NUMBER	DATE

DRAWING
 LAST_MODIFIED=Thu Mar 14 16:23:17 1985



DRN: Malcolm de Mare
 CHK'D: Dave Drozd

DATE 23-OCT-84
 DATE 23-OCT-84
 SHEET 5 OF 12
 NEXT HIGHER ASSEMBLY: B-DD-M7608-0-0

ENG: Malcolm de Mare
 DATE 20-SEP-84
 TITLE: MS630-B
 SIZE K CODE CS NUMBER M7608-0-1 REV B

SIGNAL	PART	PIN	SIGNAL	PART	PIN	SIGNAL	PART	PIN	SIGNAL	PART	PIN	SIGNAL	PART	PIN	SIGNAL	PART	PIN
BMAB3	E152	12	BMAB5	E129	10	BMAB7	E110	13	BMAB8	E140	1	BMAC1	E17	7	BMAC2	E4	5
BMAB3	E153	12	BMAB5	E130	10	BMAB7	E111	13	BMAB8	E141	1	BMAC1	E18	7	BMAC2	E5	5
BMAB3	E154	12	BMAB5	E135	12	BMAB7	E112	13	BMAB8	E142	1	BMAC1	E19	7	BMAC2	E6	5
BMAB3	E155	12	BMAB5	E136	12	BMAB7	E113	13	BMAB8	E143	1	BMAC1	E20	7	BMAC2	E7	5
BMAB3	E156	12	BMAB5	E137	12	BMAB7	E114	13	BMAB8	E148	1	BMAC1	E21	7	BMAC2	E8	5
BMAB3	R43	2	BMAB5	E138	12	BMAB7	E115	13	BMAB8	E149	1	BMAC1	E22	7	BMAC2	E9	5
BMAB4	E109	11	BMAB5	E139	12	BMAB7	E116	13	BMAB8	E150	1	BMAC1	E23	7	BMAC2	R7	2
BMAB4	E110	11	BMAB5	E140	12	BMAB7	E117	13	BMAB8	E151	1	BMAC1	E24	7	BMAC3	E1	10
BMAB4	E111	11	BMAB5	E141	12	BMAB7	E122	9	BMAB8	E152	1	BMAC1	E25	7	BMAC3	E10	10
BMAB4	E112	11	BMAB5	E142	12	BMAB7	E123	9	BMAB8	E153	1	BMAC1	E26	7	BMAC3	E11	10
BMAB4	E113	11	BMAB5	E143	12	BMAB7	E124	9	BMAB8	E154	1	BMAC1	E27	7	BMAC3	E12	10
BMAB4	E114	11	BMAB5	E148	10	BMAB7	E125	9	BMAB8	E155	1	BMAC1	E28	7	BMAC3	E13	10
BMAB4	E115	11	BMAB5	E149	10	BMAB7	E126	9	BMAB8	E156	1	BMAC1	E29	7	BMAC3	E14	10
BMAB4	E116	11	BMAB5	E150	10	BMAB7	E127	9	BMAB8	R52	2	BMAC1	E30	7	BMAC3	E15	10
BMAB4	E117	11	BMAB5	E151	10	BMAB7	E128	9	BMAB8	E1	6	BMAC1	E31	7	BMAC3	E16	10
BMAB4	E122	11	BMAB5	E152	10	BMAB7	E129	9	BMAC0	E10	6	BMAC1	E32	7	BMAC3	E17	10
BMAB4	E123	11	BMAB5	E153	10	BMAB7	E130	9	BMAC0	E11	6	BMAC1	E33	7	BMAC3	E18	10
BMAB4	E124	11	BMAB5	E154	10	BMAB7	E135	13	BMAC0	E12	6	BMAC1	E34	7	BMAC3	E19	12
BMAB4	E125	11	BMAB5	E155	10	BMAB7	E136	13	BMAC0	E13	6	BMAC1	E35	7	BMAC3	E2	10
BMAB4	E126	11	BMAB5	E156	10	BMAB7	E137	13	BMAC0	E14	6	BMAC1	E36	7	BMAC3	E20	12
BMAB4	E127	11	BMAB5	R83	2	BMAB7	E138	13	BMAC0	E15	6	BMAC1	E37	7	BMAC3	E21	12
BMAB4	E128	11	BMAB6	E109	9	BMAB7	E139	13	BMAC0	E16	6	BMAC1	E4	7	BMAC3	E22	12
BMAB4	E129	11	BMAB6	E110	9	BMAB7	E140	13	BMAC0	E17	6	BMAC1	E5	7	BMAC3	E23	12
BMAB4	E130	11	BMAB6	E111	9	BMAB7	E141	13	BMAC0	E18	6	BMAC1	E6	7	BMAC3	E24	12
BMAB4	E135	11	BMAB6	E112	9	BMAB7	E142	13	BMAC0	E19	5	BMAC1	E7	7	BMAC3	E25	12
BMAB4	E136	11	BMAB6	E113	9	BMAB7	E143	13	BMAC0	E2	6	BMAC1	E8	7	BMAC3	E26	12
BMAB4	E137	11	BMAB6	E114	9	BMAB7	E148	9	BMAC0	E20	5	BMAC1	E9	7	BMAC3	E27	12
BMAB4	E138	11	BMAB6	E115	9	BMAB7	E149	9	BMAC0	E21	5	BMAC1	R22	2	BMAC3	E28	12
BMAB4	E139	11	BMAB6	E116	9	BMAB7	E150	9	BMAC0	E22	5	BMAC1	E1	5	BMAC3	E29	12
BMAB4	E140	11	BMAB6	E117	9	BMAB7	E151	9	BMAC0	E23	5	BMAC2	E10	5	BMAC3	E3	10
BMAB4	E141	11	BMAB6	E122	13	BMAB7	E152	9	BMAC0	E24	5	BMAC2	E11	5	BMAC3	E30	12
BMAB4	E142	11	BMAB6	E123	13	BMAB7	E153	9	BMAC0	E25	5	BMAC2	E12	5	BMAC3	E31	12
BMAB4	E143	11	BMAB6	E124	13	BMAB7	E154	9	BMAC0	E26	5	BMAC2	E13	5	BMAC3	E32	12
BMAB4	E148	11	BMAB6	E125	13	BMAB7	E155	9	BMAC0	E27	5	BMAC2	E14	5	BMAC3	E33	12
BMAB4	E149	11	BMAB6	E126	13	BMAB7	E156	9	BMAC0	E28	5	BMAC2	E15	5	BMAC3	E34	12
BMAB4	E150	11	BMAB6	E127	13	BMAB7	R92	2	BMAC0	E29	5	BMAC2	E16	5	BMAC3	E35	12
BMAB4	E151	11	BMAB6	E128	13	BMAB8	E109	1	BMAC0	E3	6	BMAC2	E17	5	BMAC3	E36	12
BMAB4	E152	11	BMAB6	E129	13	BMAB8	E110	1	BMAC0	E30	5	BMAC2	E18	5	BMAC3	E4	10
BMAB4	E153	11	BMAB6	E130	13	BMAB8	E111	1	BMAC0	E31	5	BMAC2	E19	6	BMAC3	E5	10
BMAB4	E154	11	BMAB6	E135	9	BMAB8	E112	1	BMAC0	E32	5	BMAC2	E2	5	BMAC3	E6	10
BMAB4	E155	11	BMAB6	E136	9	BMAB8	E113	1	BMAC0	E33	5	BMAC2	E20	6	BMAC3	E7	10
BMAB4	E156	11	BMAB6	E137	9	BMAB8	E114	1	BMAC0	E34	5	BMAC2	E21	6	BMAC3	E8	10
BMAB4	R55	2	BMAB6	E138	9	BMAB8	E115	1	BMAC0	E35	5	BMAC2	E22	6	BMAC3	E9	10
BMAB5	E109	12	BMAB6	E139	9	BMAB8	E116	1	BMAC0	E36	5	BMAC2	E23	6	BMAC3	R28	2
BMAB5	E110	12	BMAB6	E140	9	BMAB8	E117	1	BMAC0	E4	6	BMAC2	E24	6	BMAC4	E1	11
BMAB5	E111	12	BMAB6	E141	9	BMAB8	E122	1	BMAC0	E5	6	BMAC2	E25	6	BMAC4	E10	11
BMAB5	E112	12	BMAB6	E142	9	BMAB8	E123	1	BMAC0	E6	6	BMAC2	E26	6	BMAC4	E11	11
BMAB5	E113	12	BMAB6	E143	9	BMAB8	E124	1	BMAC0	E7	6	BMAC2	E27	6	BMAC4	E12	11
BMAB5	E114	12	BMAB6	E148	13	BMAB8	E125	1	BMAC0	E8	6	BMAC2	E28	6	BMAC4	E13	11
BMAB5	E115	12	BMAB6	E149	13	BMAB8	E126	1	BMAC0	E9	6	BMAC2	E29	6	BMAC4	E14	11
BMAB5	E116	12	BMAB6	E150	13	BMAB8	E127	1	BMAC0	R19	2	BMAC2	E30	6	BMAC4	E15	11
BMAB5	E117	12	BMAB6	E151	13	BMAB8	E128	1	BMAC1	E1	7	BMAC2	E31	6	BMAC4	E16	11
BMAB5	E122	10	BMAB6	E152	13	BMAB8	E129	1	BMAC1	E10	7	BMAC2	E32	6	BMAC4	E17	11
BMAB5	E123	10	BMAB6	E153	13	BMAB8	E130	1	BMAC1	E11	7	BMAC2	E33	6	BMAC4	E18	11
BMAB5	E124	10	BMAB6	E154	13	BMAB8	E135	1	BMAC1	E12	7	BMAC2	E34	6	BMAC4	E19	11
BMAB5	E125	10	BMAB6	E155	13	BMAB8	E136	1	BMAC1	E13	7	BMAC2	E35	6	BMAC4	E2	11
BMAB5	E126	10	BMAB6	E156	13	BMAB8	E137	1	BMAC1	E14	7	BMAC2	E36	6	BMAC4	E20	11
BMAB5	E127	10	BMAB6	R37	2	BMAB8	E138	1	BMAC1	E15	7	BMAC2	E37	6	BMAC4	E21	11
BMAB5	E128	10	BMAB7	E129	13	BMAB8	E139	1	BMAC1	E16	7	BMAC2	E38	6	BMAC4	E22	11

*THIS DRAWING AND SPECIFICATIONS, HEREIN, ARE THE PROPERTY OF DIGITAL EQUIPMENT CORPORATION AND SHALL NOT BE REPRODUCED OR COPIED OR USED IN WHOLE OR IN PART AS THE BASIS FOR THE MANUFACTURE OR SALE OF ITEMS WITHOUT WRITTEN PERMISSION.
 COPYRIGHT 1984 DIGITAL EQUIPMENT CORPORATION

REVISION HISTORY		
REV	ECO NUMBER	DATE

DRAWING
 LAST_MODIFIED= Tue Mar 18 17:46:05 1985

digital

DRN: Malcolm de Mare	DATE 23-OCT-84	ENG: Malcolm de Mare	DATE 20-SEP-84	TITLE: MS630-B
CHK'D: Dave Drozd	DATE 23-OCT-84	SHEET 6 OF 12	NEXT HIGHER ASSEMBLY: B-DD-M7608-0-0	SIZE K
				CODE CS
				NUMBER M7608-0-1
				REV 3

SIGNAL	PART	PIN	SIGNAL	PART	PIN	SIGNAL	PART	PIN	SIGNAL	PART	PIN	SIGNAL	PART	PIN	SIGNAL	PART	PIN
BMAC4	E23	11	BMAC6	E1	9	BMAC7	E3	13	BMAD0	E107	5	BMAD1	E93	7	BMAD3	E78	10
BMAC4	E24	11	BMAC6	E10	9	BMAC7	E30	9	BMAD0	E108	5	BMAD1	E94	7	BMAD3	E79	10
BMAC4	E25	11	BMAC6	E11	9	BMAC7	E31	9	BMAD0	E73	6	BMAD1	E95	7	BMAD3	E80	10
BMAC4	E26	11	BMAC6	E12	9	BMAC7	E32	9	BMAD0	E74	6	BMAD1	E96	7	BMAD3	E81	10
BMAC4	E27	11	BMAC6	E13	9	BMAC7	E33	9	BMAD0	E75	6	BMAD1	E97	7	BMAD3	E82	10
BMAC4	E28	11	BMAC6	E14	9	BMAC7	E34	9	BMAD0	E76	6	BMAD1	E98	7	BMAD3	E83	10
BMAC4	E29	11	BMAC6	E15	9	BMAC7	E35	9	BMAD0	E77	6	BMAD1	E99	7	BMAD3	E84	10
BMAC4	E3	11	BMAC6	E16	9	BMAC7	E36	9	BMAD0	E78	6	BMAD1	R84	2	BMAD3	E85	10
BMAC4	E30	11	BMAC6	E17	9	BMAC7	E4	13	BMAD0	E79	6	BMAD2	E100	6	BMAD3	E86	10
BMAC4	E31	11	BMAC6	E18	9	BMAC7	E5	13	BMAD0	E80	6	BMAD2	E101	6	BMAD3	E87	10
BMAC4	E32	11	BMAC6	E19	13	BMAC7	E6	13	BMAD0	E81	6	BMAD2	E102	6	BMAD3	E88	10
BMAC4	E33	11	BMAC6	E2	9	BMAC7	E7	13	BMAD0	E82	6	BMAD2	E103	6	BMAD3	E89	10
BMAC4	E34	11	BMAC6	E20	13	BMAC7	E8	13	BMAD0	E83	6	BMAD2	E104	6	BMAD3	E90	10
BMAC4	E35	11	BMAC6	E21	13	BMAC7	E9	13	BMAD0	E84	6	BMAD2	E105	6	BMAD3	E91	12
BMAC4	E36	11	BMAC6	E22	13	BMAC7	R13	2	BMAD0	E85	6	BMAD2	E106	6	BMAD3	E92	12
BMAC4	E4	11	BMAC6	E23	13	BMAC8	E1	1	BMAD0	E86	6	BMAD2	E107	6	BMAD3	E93	12
BMAC4	E5	11	BMAC6	E24	13	BMAC8	E10	1	BMAD0	E87	6	BMAD2	E108	6	BMAD3	E94	12
BMAC4	E6	11	BMAC6	E25	13	BMAC8	E11	1	BMAD0	E88	6	BMAD2	E73	5	BMAD3	E95	12
BMAC4	E7	11	BMAC6	E26	13	BMAC8	E12	1	BMAD0	E89	6	BMAD2	E74	5	BMAD3	E96	12
BMAC4	E8	11	BMAC6	E27	13	BMAC8	E13	1	BMAD0	E90	6	BMAD2	E75	5	BMAD3	E97	12
BMAC4	E9	11	BMAC6	E28	13	BMAC8	E14	1	BMAD0	E91	5	BMAD2	E76	5	BMAD3	E98	12
BMAC4	R10	2	BMAC6	E29	13	BMAC8	E15	1	BMAD0	E92	5	BMAD2	E77	5	BMAD3	E99	12
BMACS	E1	12	BMAC6	E3	9	BMAC8	E16	1	BMAD0	E93	5	BMAD2	E78	5	BMAD3	R14	2
BMACS	E10	12	BMAC6	E30	13	BMAC8	E17	1	BMAD0	E94	5	BMAD2	E79	5	BMAD4	E100	11
BMACS	E11	12	BMAC6	E31	13	BMAC8	E18	1	BMAD0	E95	5	BMAD2	E80	5	BMAD4	E101	11
BMACS	E12	12	BMAC6	E32	13	BMAC8	E19	1	BMAD0	E96	5	BMAD2	E81	5	BMAD4	E102	11
BMACS	E13	12	BMAC6	E33	13	BMAC8	E2	1	BMAD0	E97	5	BMAD2	E82	5	BMAD4	E103	11
BMACS	E14	12	BMAC6	E34	13	BMAC8	E20	1	BMAD0	E98	5	BMAD2	E83	5	BMAD4	E104	11
BMACS	E15	12	BMAC6	E35	13	BMAC8	E21	1	BMAD0	E99	5	BMAD2	E84	5	BMAD4	E105	11
BMACS	E16	12	BMAC6	E36	13	BMAC8	E22	1	BMAD0	R23	2	BMAD2	E85	5	BMAD4	E106	11
BMACS	E17	12	BMAC6	E4	9	BMAC8	E23	1	BMAD1	E100	7	BMAD2	E86	5	BMAD4	E107	11
BMACS	E18	12	BMAC6	E5	9	BMAC8	E24	1	BMAD1	E101	7	BMAD2	E87	5	BMAD4	E108	11
BMACS	E19	10	BMAC6	E6	9	BMAC8	E25	1	BMAD1	E102	7	BMAD2	E88	5	BMAD4	E73	11
BMACS	E2	12	BMAC6	E7	9	BMAC8	E26	1	BMAD1	E103	7	BMAD2	E89	5	BMAD4	E74	11
BMACS	E20	10	BMAC6	E8	9	BMAC8	E27	1	BMAD1	E104	7	BMAD2	E90	5	BMAD4	E75	11
BMACS	E21	10	BMAC6	E9	9	BMAC8	E28	1	BMAD1	E105	7	BMAD2	E91	6	BMAD4	E76	11
BMACS	E22	10	BMAC6	R16	2	BMAC8	E29	1	BMAD1	E106	7	BMAD2	E92	6	BMAD4	E77	11
BMACS	E23	10	BMAC7	E1	13	BMAC8	E3	1	BMAD1	E107	7	BMAD2	E93	6	BMAD4	E78	11
BMACS	E24	10	BMAC7	E10	13	BMAC8	E30	1	BMAD1	E108	7	BMAD2	E94	6	BMAD4	E79	11
BMACS	E25	10	BMAC7	E11	13	BMAC8	E31	1	BMAD1	E73	7	BMAD2	E95	6	BMAD4	E80	11
BMACS	E26	10	BMAC7	E12	13	BMAC8	E32	1	BMAD1	E74	7	BMAD2	E96	6	BMAD4	E81	11
BMACS	E27	10	BMAC7	E13	13	BMAC8	E33	1	BMAD1	E75	7	BMAD2	E97	6	BMAD4	E82	11
BMACS	E28	10	BMAC7	E14	13	BMAC8	E34	1	BMAD1	E76	7	BMAD2	E98	6	BMAD4	E83	11
BMACS	E29	10	BMAC7	E15	13	BMAC8	E35	1	BMAD1	E77	7	BMAD2	E99	6	BMAD4	E84	11
BMACS	E3	12	BMAC7	E16	13	BMAC8	E36	1	BMAD1	E78	7	BMAD2	R96	2	BMAD4	E85	11
BMACS	E30	10	BMAC7	E17	13	BMAC8	E4	1	BMAD1	E79	7	BMAD3	E100	12	BMAD4	E86	11
BMACS	E31	10	BMAC7	E18	13	BMAC8	E5	1	BMAD1	E80	7	BMAD3	E101	12	BMAD4	E87	11
BMACS	E32	10	BMAC7	E19	9	BMAC8	E6	1	BMAD1	E81	7	BMAD3	E102	12	BMAD4	E88	11
BMACS	E33	10	BMAC7	E2	13	BMAC8	E7	1	BMAD1	E82	7	BMAD3	E103	12	BMAD4	E89	11
BMACS	E34	10	BMAC7	E20	9	BMAC8	E8	1	BMAD1	E83	7	BMAD3	E104	12	BMAD4	E90	11
BMACS	E35	10	BMAC7	E21	9	BMAC8	E9	1	BMAD1	E84	7	BMAD3	E105	12	BMAD4	E91	11
BMACS	E36	10	BMAC7	E22	9	BMAC8	R4	2	BMAD1	E85	7	BMAD3	E106	12	BMAD4	E92	11
BMACS	E4	12	BMAC7	E23	9	BMAD0	E100	5	BMAD1	E86	7	BMAD3	E107	12	BMAD4	E93	11
BMACS	E5	12	BMAC7	E24	9	BMAD0	E101	5	BMAD1	E87	7	BMAD3	E108	12	BMAD4	E94	11
BMACS	E6	12	BMAC7	E25	9	BMAD0	E102	5	BMAD1	E88	7	BMAD3	E73	10	BMAD4	E95	11
BMACS	E7	12	BMAC7	E26	9	BMAD0	E103	5	BMAD1	E89	7	BMAD3	E74	10	BMAD4	E96	11
BMACS	E8	12	BMAC7	E27	9	BMAD0	E104	5	BMAD1	E90	7	BMAD3	E75	10	BMAD4	E97	11
BMACS	E9	12	BMAC7	E28	9	BMAD0	E105	5	BMAD1	E91	7	BMAD3	E76	10	BMAD4	E98	11
BMACS	R25	2	BMAC7	E29	9	BMAD0	E106	5	BMAD1	E92	7	BMAD3	E77	10	BMAD4	E99	11

"THIS DRAWING AND SPECIFICATIONS, HEREIN, ARE THE PROPERTY OF DIGITAL EQUIPMENT CORPORATION AND SHALL NOT BE REPRODUCED OR COPIED OR USED IN WHOLE OR IN PART AS THE BASIS FOR THE MANUFACTURE OR SALE OF ITEMS WITHOUT WRITTEN PERMISSION.
 COPYRIGHT 1984 DIGITAL EQUIPMENT CORPORATION"

REVISION HISTORY		
REV	ECO NUMBER	DATE

DRAWING
 LAST MODIFIED=Thu Mar 14 16:24:25 1985

digitata

DRN: Malcolm de Mara	DATE 29-OCT-84
CHK'D: Dave Drozd	DATE 29-OCT-84

ENG: Malcolm de Mara	DATE 29-SEP-84
SHEET 7 OF 12	NEXT HIGHER ASSEMBLY: B-DD-M7608-0-0

TITLE: M5630-B			
SIZE K	CODE CS	NUMBER M7608-0-1	REV B

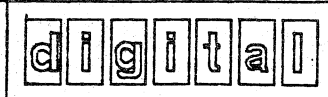
8 7 6 5 4 3 2 1

SIGNAL	PART	PIN	SIGNAL	PART	PIN	SIGNAL	PART	PIN	SIGNAL	PART	PIN	SIGNAL	PART	PIN	SIGNAL	PART	PIN
BMAD4	R2	2	BMAD6	E85	9	BMAD8	E106	1	BRASAL4	E57	4	BRASAL7	E6	4	BRASBL6	E98	4
BMAD5	E100	10	BMAD6	E86	9	BMAD8	E107	1	BRASAL4	E68	4	BRASAL7	E7	4	BRASBL6	E99	4
BMAD5	E101	10	BMAD6	E87	9	BMAD8	E108	1	BRASAL4	E69	4	BRASAL7	E8	4	BRASBL6	R87	2
BMAD5	E102	10	BMAD6	E88	9	BMAD8	E73	1	BRASAL4	E70	4	BRASAL7	E9	4	BRASBL7	E73	4
BMAD5	E103	10	BMAD6	E89	9	BMAD8	E74	1	BRASAL4	E71	4	BRASAL7	R1	2	BRASBL7	E74	4
BMAD5	E104	10	BMAD6	E90	9	BMAD8	E75	1	BRASAL4	E72	4	BRASBL4	E122	4	BRASBL7	E75	4
BMAD5	E105	10	BMAD6	E91	13	BMAD8	E76	1	BRASAL4	R67	2	BRASBL4	E123	4	BRASBL7	E76	4
BMAD5	E106	10	BMAD6	E92	13	BMAD8	E77	1	BRASAL4	E37	4	BRASBL4	E124	4	BRASBL7	E77	4
BMAD5	E107	10	BMAD6	E93	13	BMAD8	E78	1	BRASAL5	E38	4	BRASBL4	E125	4	BRASBL7	E78	4
BMAD5	E108	10	BMAD6	E94	13	BMAD8	E79	1	BRASAL5	E39	4	BRASBL4	E126	4	BRASBL7	E79	4
BMAD5	E73	12	BMAD6	E95	13	BMAD8	E80	1	BRASAL5	E40	4	BRASBL4	E127	4	BRASBL7	E80	4
BMAD5	E74	12	BMAD6	E96	13	BMAD8	EB1	1	BRASAL5	E41	4	BRASBL4	E128	4	BRASBL7	E81	4
BMAD5	E75	12	BMAD6	E97	13	BMAD8	EB2	1	BRASAL5	E42	4	BRASBL4	E129	4	BRASBL7	E82	4
BMAD5	E76	12	BMAD6	E98	13	BMAD8	EB3	1	BRASAL5	E43	4	BRASBL4	E130	4	BRASBL7	E83	4
BMAD5	E77	12	BMAD6	E99	13	BMAD8	EB4	1	BRASAL5	E44	4	BRASBL4	E148	4	BRASBL7	EB4	4
BMAD5	E78	12	BMAD6	R17	2	BMAD8	EB5	1	BRASAL5	E45	4	BRASBL4	E149	4	BRASBL7	EB5	4
BMAD5	E79	12	BMAD7	E100	9	BMAD8	EB6	1	BRASAL5	E46	4	BRASBL4	E150	4	BRASBL7	EB6	4
BMAD5	E80	12	BMAD7	E101	9	BMAD8	EB7	1	BRASAL5	E47	4	BRASBL4	E151	4	BRASBL7	EB7	4
BMAD5	EB1	12	BMAD7	E102	9	BMAD8	EB8	1	BRASAL5	E48	4	BRASBL4	E152	4	BRASBL7	EB8	4
BMAD5	EB2	12	BMAD7	E103	9	BMAD8	EB9	1	BRASAL5	E49	4	BRASBL4	E153	4	BRASBL7	EB9	4
BMAD5	EB3	12	BMAD7	E104	9	BMAD8	E90	1	BRASAL5	E50	4	BRASBL4	E154	4	BRASBL7	E90	4
BMAD5	EB4	12	BMAD7	E105	9	BMAD8	E91	1	BRASAL5	E51	4	BRASBL4	E155	4	BRASBL7	R93	2
BMAD5	EB5	12	BMAD7	E106	9	BMAD8	E92	1	BRASAL5	E52	4	BRASBL4	E158	4	BUFENL	E120	1
BMAD5	EB6	12	BMAD7	E107	9	BMAD8	E93	1	BRASAL5	E53	4	BRASBL4	R86	2	BUFENL	E120	13
BMAD5	EB7	12	BMAD7	E108	9	BMAD8	E94	1	BRASAL5	E54	4	BRASBL5	E109	4	BUFENL	E121	1
BMAD5	EB8	12	BMAD7	E73	13	BMAD8	E95	1	BRASAL5	R70	2	BRASBL5	E110	4	BUFENL	E121	13
BMAD5	EB9	12	BMAD7	E74	13	BMAD8	E96	1	BRASAL6	E19	4	BRASBL5	E111	4	BUFENL	E133	1
BMAD5	E90	12	BMAD7	E75	13	BMAD8	E97	1	BRASAL6	E20	4	BRASBL5	E112	4	BUFENL	E133	13
BMAD5	E91	10	BMAD7	E76	13	BMAD8	E98	1	BRASAL6	E21	4	BRASBL5	E113	4	BUFENL	E134	1
BMAD5	E92	10	BMAD7	E77	13	BMAD8	E99	1	BRASAL6	E22	4	BRASBL5	E114	4	BUFENL	E134	13
BMAD5	E93	10	BMAD7	E78	13	BMAD8	R8	2	BRASAL6	E23	4	BRASBL5	E115	4	BUFENL	E144	7
BMAD5	E94	10	BMAD7	E79	13	BMCAS0	CE1	1	BRASAL6	E24	4	BRASBL5	E116	4	BUFENL0	E144	3
BMAD5	E95	10	BMAD7	EB0	13	BMCAS0	CE2	1	BRASAL6	E25	4	BRASBL5	E117	4	BUFENL0	J1	28
BMAD5	E96	10	BMAD7	EB1	13	BMCAS0	E146	17	BRASAL6	E26	4	BRASBL5	E135	4	BUFENL1	E144	6
BMAD5	E97	10	BMAD7	EB2	13	BMCAS0	E146	2	BRASAL6	E27	4	BRASBL5	E136	4	BUFENL1	J1	29
BMAD5	E98	10	BMAD7	EB3	13	BMCAS1	CH1	1	BRASAL6	E28	4	BRASBL5	E137	4	BWTAL1	E37	3
BMAD5	E99	10	BMAD7	EB4	13	BMCAS1	CH2	1	BRASAL6	E29	4	BRASBL5	E138	4	BWTAL1	E38	3
BMAD5	R90	2	BMAD7	EB5	13	BMCAS1	E146	15	BRASAL6	E30	4	BRASBL5	E139	4	BWTAL1	E39	3
BMAD6	E100	13	BMAD7	EB6	13	BMCAS1	E146	4	BRASAL6	E31	4	BRASBL5	E140	4	BWTAL1	E40	3
BMAD6	E101	13	BMAD7	EB7	13	BMCAS2	DP1	1	BRASAL6	E32	4	BRASBL5	E141	4	BWTAL1	E41	3
BMAD6	E102	13	BMAD7	EB8	13	BMCAS2	DP2	1	BRASAL6	E33	4	BRASBL5	E142	4	BWTAL1	E42	3
BMAD6	E103	13	BMAD7	EB9	13	BMCAS2	E146	13	BRASAL6	E34	4	BRASBL5	E143	4	BWTAL1	E43	3
BMAD6	E104	13	BMAD7	E90	13	BMCAS2	E146	6	BRASAL6	E35	4	BRASBL5	R80	2	BWTAL1	E44	3
BMAD6	E105	13	BMAD7	E91	9	BMCAS3	DR1	1	BRASAL6	E36	4	BRASBL6	E100	4	BWTAL1	E45	3
BMAD6	E106	13	BMAD7	E92	9	BMCAS3	DR2	1	BRASAL6	R34	2	BRASBL6	E101	4	BWTAL1	E46	3
BMAD6	E107	13	BMAD7	E93	9	BMCAS3	E146	11	BRASAL7	E1	4	BRASBL6	E102	4	BWTAL1	E47	3
BMAD6	E108	13	BMAD7	E94	9	BMCAS3	E146	8	BRASAL7	E10	4	BRASBL6	E103	4	BWTAL1	E48	3
BMAD6	E73	9	BMAD7	E95	9	BRASAL4	E55	4	BRASAL7	E11	4	BRASBL6	E104	4	BWTAL1	E49	3
BMAD6	E74	9	BMAD7	E96	9	BRASAL4	E56	4	BRASAL7	E12	4	BRASBL6	E105	4	BWTAL1	E50	3
BMAD6	E75	9	BMAD7	E97	9	BRASAL4	E57	4	BRASAL7	E13	4	BRASBL6	E106	4	BWTAL1	E51	3
BMAD6	E76	9	BMAD7	E98	9	BRASAL4	E58	4	BRASAL7	E14	4	BRASBL6	E107	4	BWTAL1	E52	3
BMAD6	E77	9	BMAD7	E99	9	BRASAL4	E59	4	BRASAL7	E15	4	BRASBL6	E108	4	BWTAL1	E53	3
BMAD6	E78	9	BMAD7	R81	2	BRASAL4	EB0	4	BRASAL7	E16	4	BRASBL6	E91	4	BWTAL1	E54	3
BMAD6	E79	9	BMAD8	E100	1	BRASAL4	EB1	4	BRASAL7	E17	4	BRASBL6	E92	4	BWTAL1	E55	3
BMAD6	EB0	9	BMAD8	E101	1	BRASAL4	EB2	4	BRASAL7	E18	4	BRASBL6	E93	4	BWTAL1	E56	3
BMAD6	EB1	9	BMAD8	E102	1	BRASAL4	EB3	4	BRASAL7	E2	4	BRASBL6	E94	4	BWTAL1	E57	3
BMAD6	EB2	9	BMAD8	E103	1	BRASAL4	EB4	4	BRASAL7	E3	4	BRASBL6	E95	4	BWTAL1	E58	3
BMAD6	EB3	9	BRASAL4	E104	1	BRASAL4	EB5	4	BRASAL7	E4	4	BRASBL6	E96	4	BWTAL1	E59	3
BMAD6	EB4	9	BRASAL4	E105	1	BRASAL4	EB6	4	BRASAL7	E5	4	BRASBL6	E97	4	BWTAL1	E60	3

THIS DRAWING AND SPECIFICATIONS, HEREIN, ARE THE PROPERTY OF DIGITAL EQUIPMENT CORPORATION AND SHALL NOT BE REPRODUCED OR COPIED OR USED IN WHOLE OR IN PART AS THE BASIS FOR THE MANUFACTURE OR SALE OF ITEMS WITHOUT WRITTEN PERMISSION.
 COPYRIGHT 1984 DIGITAL EQUIPMENT CORPORATION

REVISION HISTORY		
REV	ECO NUMBER	DATE

DRAWING
 LAST MODIFIED=Thu Mar 14 16:25:04 1985



DRN: Malcolm de Mare	DATE: 29-OCT-84	ENG: Malcolm de Mare	DATE: 29-SEP-84	TITLE: MS630-B
CHK'D: Dave Drozd	DATE: 29-OCT-84	SHEET: 8 OF 12	NEXT HIGHER ASSEMBLY: B-DD-M7608-0-0	SIZE: K
				CODE: CS
				NUMBER: M7608-0-1
				REV: B

8 7 6 5 4 3 2 1

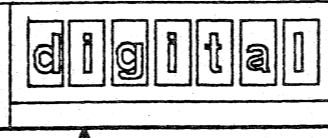
8 7 6 5 4 3 2 1

SIGNAL	PART	PIN	SIGNAL	PART	PIN	SIGNAL	PART	PIN	SIGNAL	PART	PIN	SIGNAL	PART	PIN	SIGNAL	PART	PIN
BWTAL1	E61	3	BWTCL1	E18	3	BWTDL1	E95	3	GND	C125	2	GND	C33	2	GND	CB7	2
BWTAL1	E62	3	BWTCL1	E19	3	BWTDL1	E96	3	GND	C126	2	GND	C34	2	GND	CB8	2
BWTAL1	E63	3	BWTCL1	E2	3	BWTDL1	E97	3	GND	C127	2	GND	C35	2	GND	CB9	2
BWTAL1	E64	3	BWTCL1	E20	3	BWTDL1	E98	3	GND	C128	2	GND	C36	2	GND	C9	2
BWTAL1	E65	3	BWTCL1	E21	3	BWTDL1	E99	3	GND	C129	2	GND	C37	2	GND	C90	2
BWTAL1	E66	3	BWTCL1	E22	3	BWTDL1	R5	2	GND	C13	2	GND	C38	2	GND	C91	2
BWTAL1	E67	3	BWTCL1	E23	3	CAL0	E146	3	GND	C130	2	GND	C39	2	GND	C92	2
BWTAL1	E68	3	BWTCL1	E24	3	CAL0	R66	1	GND	C131	2	GND	C4	2	GND	C93	2
BWTAL1	E69	3	BWTCL1	E25	3	CAL1	E146	5	GND	C132	2	GND	C40	2	GND	C94	2
BWTAL1	E70	3	BWTCL1	E26	3	CAL1	R64	1	GND	C133	2	GND	C41	2	GND	C95	2
BWTAL1	E71	3	BWTCL1	E27	3	CAL2	E146	7	GND	C134	2	GND	C42	2	GND	C96	2
BWTAL1	E72	3	BWTCL1	E28	3	CAL2	R49	1	GND	C135	2	GND	C43	2	GND	C97	2
BWTAL1	R20	2	BWTCL1	E29	3	CAL3	E146	9	GND	C136	2	GND	C44	2	GND	C98	2
BWTBL1	E109	3	BWTCL1	E3	3	CAL3	R74	1	GND	C137	2	GND	C45	2	GND	C99	2
BWTBL1	E110	3	BWTCL1	E30	3	CBL0	E146	18	GND	C138	2	GND	C46	2	GND	CC2	1
BWTBL1	E111	3	BWTCL1	E31	3	CBL0	R69	1	GND	C139	2	GND	C47	2	GND	CM1	1
BWTBL1	E112	3	BWTCL1	E32	3	CBL1	E146	16	GND	C14	2	GND	C48	2	GND	CT1	1
BWTBL1	E113	3	BWTCL1	E33	3	CBL1	R31	1	GND	C140	2	GND	C49	2	GND	DA1	1
BWTBL1	E114	3	BWTCL1	E34	3	CBL2	E146	14	GND	C141	2	GND	C5	2	GND	DC2	1
BWTBL1	E115	3	BWTCL1	E35	3	CBL2	R63	1	GND	C142	2	GND	C50	2	GND	DT1	1
BWTBL1	E116	3	BWTCL1	E36	3	CBL3	E146	12	GND	C143	2	GND	C51	2	GND	E1	14
BWTBL1	E117	3	BWTCL1	E4	3	CBL3	R77	1	GND	C144	2	GND	C52	2	GND	E10	14
BWTBL1	E122	3	BWTCL1	E5	3	GND	AC2	1	GND	C145	2	GND	C53	2	GND	E100	14
BWTBL1	E123	3	BWTCL1	E6	3	GND	AJ1	1	GND	C146	2	GND	C54	2	GND	E101	14
BWTBL1	E124	3	BWTCL1	E7	3	GND	AM1	1	GND	C147	2	GND	C55	2	GND	E102	14
BWTBL1	E125	3	BWTCL1	E8	3	GND	AT1	1	GND	C148	2	GND	C56	2	GND	E103	14
BWTBL1	E126	3	BWTCL1	E9	3	GND	BC2	1	GND	C149	2	GND	C57	2	GND	E104	14
BWTBL1	E127	3	BWTCL1	R11	3	GND	BJ1	1	GND	C15	2	GND	C58	2	GND	E105	14
BWTBL1	E128	3	BWTDL1	E100	3	GND	BM1	1	GND	C150	2	GND	C59	2	GND	E106	14
BWTBL1	E129	3	BWTDL1	E101	3	GND	BT1	1	GND	C151	2	GND	C6	2	GND	E107	14
BWTBL1	E130	3	BWTDL1	E102	3	GND	C1	2	GND	C152	2	GND	C60	2	GND	E108	14
BWTBL1	E135	3	BWTDL1	E103	3	GND	C10	2	GND	C153	2	GND	C61	2	GND	E109	14
BWTBL1	E136	3	BWTDL1	E104	3	GND	C100	2	GND	C154	2	GND	C62	2	GND	E11	14
BWTBL1	E137	3	BWTDL1	E105	3	GND	C101	2	GND	C155	2	GND	C63	2	GND	E110	14
BWTBL1	E138	3	BWTDL1	E106	3	GND	C102	2	GND	C156	2	GND	C64	2	GND	E111	14
BWTBL1	E139	3	BWTDL1	E107	3	GND	C103	2	GND	C157	2	GND	C65	2	GND	E112	14
BWTBL1	E140	3	BWTDL1	E108	3	GND	C104	2	GND	C158	2	GND	C66	2	GND	E113	14
BWTBL1	E141	3	BWTDL1	E73	3	GND	C105	2	GND	C16	2	GND	C67	2	GND	E114	14
BWTBL1	E142	3	BWTDL1	E74	3	GND	C106	2	GND	C160	2	GND	C68	2	GND	E115	14
BWTBL1	E143	3	BWTDL1	E75	3	GND	C107	2	GND	C161	2	GND	C69	2	GND	E116	14
BWTBL1	E148	3	BWTDL1	E76	3	GND	C108	2	GND	C162	2	GND	C7	2	GND	E117	14
BWTBL1	E149	3	BWTDL1	E77	3	GND	C109	2	GND	C17	2	GND	C70	2	GND	E118	10
BWTBL1	E150	3	BWTDL1	E78	3	GND	C11	2	GND	C18	2	GND	C71	2	GND	E119	10
BWTBL1	E151	3	BWTDL1	E79	3	GND	C110	2	GND	C19	2	GND	C72	2	GND	E12	14
BWTBL1	E152	3	BWTDL1	E80	3	GND	C111	2	GND	C2	2	GND	C73	2	GND	E120	12
BWTBL1	E153	3	BWTDL1	E81	3	GND	C112	2	GND	C20	2	GND	C74	2	GND	E121	12
BWTBL1	E154	3	BWTDL1	E82	3	GND	C113	2	GND	C21	2	GND	C75	2	GND	E122	14
BWTBL1	E155	3	BWTDL1	E83	3	GND	C114	2	GND	C22	2	GND	C76	2	GND	E123	14
BWTBL1	E156	3	BWTDL1	E84	3	GND	C115	2	GND	C23	2	GND	C77	2	GND	E124	14
BWTBL1	R40	2	BWTDL1	E85	3	GND	C116	2	GND	C24	2	GND	C78	2	GND	E125	14
BWTCL1	E1	3	BWTDL1	E86	3	GND	C117	2	GND	C25	2	GND	C79	2	GND	E126	14
BWTCL1	E10	3	BWTDL1	E87	3	GND	C118	2	GND	C26	2	GND	C8	2	GND	E127	14
BWTCL1	E11	3	BWTDL1	E88	3	GND	C119	2	GND	C27	2	GND	C80	2	GND	E128	14
BWTCL1	E12	3	BWTDL1	E89	3	GND	C12	2	GND	C28	2	GND	C81	2	GND	E129	14
BWTCL1	E13	3	BWTDL1	E90	3	GND	C120	2	GND	C29	2	GND	C82	2	GND	E13	14
BWTCL1	E14	3	BWTDL1	E91	3	GND	C121	2	GND	C3	2	GND	C83	2	GND	E130	14
BWTCL1	E15	3	BWTDL1	E92	3	GND	C122	2	GND	C30	2	GND	C84	2	GND	E131	10
BWTCL1	E16	3	BWTDL1	E93	3	GND	C123	2	GND	C31	2	GND	C85	2	GND	E132	10
BWTCL1	E17	3	BWTDL1	E94	3	GND	C124	2	GND	C32	2	GND	C86	2	GND	E133	12

"THIS DRAWING AND SPECIFICATIONS, HEREIN, ARE THE PROPERTY OF DIGITAL EQUIPMENT CORPORATION AND SHALL NOT BE REPRODUCED OR COPIED OR USED IN WHOLE OR IN PART AS THE BASIS FOR THE MANUFACTURE OR SALE OF ITEMS WITHOUT WRITTEN PERMISSION.
 COPYRIGHT 1984 DIGITAL EQUIPMENT CORPORATION"

REVISION HISTORY		
REV	ECO NUMBER	DATE

DRAWING
 LAST_MODIFIED=Thu Mar 14 16:26:44 1985



DRN: Malcolm de Mare
 DATE: 23-OCT-84
 CHK'D: Dave Drozd
 DATE: 23-OCT-84

ENG: Malcolm de Mare
 DATE: 20-SEP-84
 SHEET: 9 OF 12
 NEXT HIGHER ASSEMBLY:
 B-DD-M7608-0-0

TITLE: MS630-B
 SIZE: K
 CODE: CS
 NUMBER: M7608-0-1
 REV: B

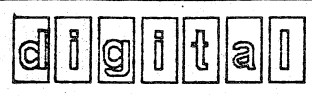
8 7 6 5 4 3 2 1

SIGNAL	PART	PIN	SIGNAL	PART	PIN	SIGNAL	PART	PIN	SIGNAL	PART	PIN	SIGNAL	PART	PIN	SIGNAL	PART	PIN
GND	E134	12	GND	E40	14	GND	E94	14	LRD22	E120	17	MAAL4	DE2	1	MD21	E120	7
GND	E136	14	GND	E41	14	GND	E95	14	LRD22	R15	2	MAAL4	E118	13	MD21	J1	37
GND	E138	14	GND	E42	14	GND	E96	14	LRD23	E120	16	MAAL4	E119	8	MD22	E120	8
GND	E137	14	GND	E43	14	GND	E97	14	LRD23	R12	2	MAAL4	E131	2	MD22	J1	40
GND	E139	14	GND	E44	14	GND	E98	14	LRD24	E121	23	MAAL4	E132	C	MD23	E120	9
GND	E139	14	GND	E45	14	GND	E99	14	LRD24	R33	2	MAAL5	DD1	1	MD23	J1	39
GND	E14	14	GND	E46	14	GND	J1	1	LRD25	E121	22	MAAL5	DD2	1	MD24	E121	2
GND	E140	14	GND	E47	14	GND	J1	13	LRD25	R32	2	MAAL5	E118	17	MD24	J1	42
GND	E141	14	GND	E48	14	GND	J1	20	LRD26	E121	21	MAAL5	E132	4	MD25	E121	3
GND	E142	14	GND	E49	14	GND	J1	25	LRD26	R30	2	MAAL5	E147	15	MD25	J1	41
GND	E143	14	GND	E5	14	GND	J1	26	LRD27	E121	20	MAAL5	E147	6	MD26	E121	4
GND	E144	1	GND	E50	14	GND	J1	30	LRD27	R27	2	MAAL6	DH1	1	MD26	J1	44
GND	E144	10	GND	E51	14	GND	J1	31	LRD28	E121	19	MAAL6	DH2	1	MD27	E121	5
GND	E144	11	GND	E52	14	GND	J1	38	LRD28	R24	2	MAAL6	E118	4	MD27	J1	43
GND	E144	12	GND	E53	14	GND	J1	45	LRD29	E121	18	MAAL6	E119	6	MD28	E121	6
GND	E144	13	GND	E54	14	GND	J1	50	LRD29	R3	2	MAAL6	E131	8	MD28	J1	46
GND	E144	4	GND	E55	14	GND	J1	6	LRD3	E133	20	MAAL6	E132	11	MD29	E121	7
GND	E144	5	GND	E56	14	GND	R26	1	LRD3	R82	2	MAAL7	DB1	1	MD29	J1	47
GND	E144	8	GND	E57	14	GND	R29	1	LRD30	E121	17	MAAL7	DB2	1	MD3	E133	5
GND	E145	10	GND	E58	14	GND	R79	1	LRD30	R21	2	MAAL7	E119	15	MD3	J1	5
GND	E146	10	GND	E59	14	GND	R85	1	LRD31	E121	16	MAAL7	E131	15	MD30	E121	8
GND	E147	10	GND	E6	14	LPD0	E133	15	LRD31	R6	2	MAAL7	E147	11	MD30	J1	48
GND	E148	14	GND	E60	14	LPD0	R94	2	LRD4	E133	19	MAAL7	E147	2	MD31	E121	9
GND	E149	14	GND	E61	14	LPD1	E134	15	LRD4	R78	2	MAAL8	CS1	1	MD31	J1	49
GND	E15	14	GND	E62	14	LPD1	R71	2	LRD5	E133	18	MAAL8	CS2	1	MD4	E133	6
GND	E150	14	GND	E63	14	LPD2	E120	15	LRD5	R75	2	MAAL8	E118	8	MD4	J1	8
GND	E151	14	GND	E64	14	LPD2	R50	2	LRD6	E133	17	MAAL8	E119	13	MD5	E133	7
GND	E152	14	GND	E65	14	LPD3	E121	15	LRD6	R73	2	MAAL8	E131	13	MD5	J1	7
GND	E153	14	GND	E66	14	LPD3	R9	2	LRD7	E133	16	MAAL8	E132	15	MD6	E133	8
GND	E154	14	GND	E67	14	LRD0	E133	23	LRD7	R72	2	MAAL9	CB1	1	MD6	J1	10
GND	E155	14	GND	E68	14	LRD0	R91	2	LRD8	E134	23	MAAL9	CB2	1	MD7	E133	9
GND	E156	14	GND	E69	14	LRD1	E133	22	LRD8	R68	2	MD0	E133	2	MD7	J1	9
GND	E16	14	GND	E7	14	LRD1	R88	2	LRD9	E134	22	MD0	J1	2	MD8	E134	2
GND	E17	14	GND	E70	14	LRD10	E134	21	LRD9	R65	2	MD1	E133	3	MD8	J1	12
GND	E18	14	GND	E71	14	LRD10	R62	2	MAAL0	CR1	1	MD1	J1	3	MD9	E134	3
GND	E19	14	GND	E72	14	LRD11	E134	20	MAAL0	CR2	1	MD10	E134	4	MD9	J1	11
GND	E2	14	GND	E73	14	LRD11	R61	2	MAAL0	E118	15	MD10	J1	14	MSIDL0	CJ1	1
GND	E20	14	GND	E74	14	LRD12	E134	19	MAAL0	E119	2	MD11	E134	5	MSIDL0	E145	1
GND	E21	14	GND	E75	14	LRD12	R59	2	MAAL0	E131	4	MD11	J1	15	MSIDL0	E146	1
GND	E22	14	GND	E76	14	LRD13	E134	18	MAAL0	E132	2	MD12	E134	6	MSIDL0	E147	19
GND	E23	14	GND	E77	14	LRD13	R58	2	MAAL1	CN1	1	MD12	J1	16	MSIDL0	R95	2
GND	E24	14	GND	E78	14	LRD14	E134	17	MAAL1	CN2	1	MD13	E134	7	MSIDL2	CJ2	1
GND	E25	14	GND	E79	14	LRD14	R56	2	MAAL1	E119	17	MD13	J1	17	MSIDL2	DJ1	1
GND	E26	14	GND	E8	14	LRD15	E134	16	MAAL1	E131	17	MD14	E134	8	MSIDL3	CM2	1
GND	E27	14	GND	E80	14	LRD15	R53	2	MAAL1	E147	13	MD14	J1	18	MSIDL3	DM1	1
GND	E28	14	GND	E81	14	LRD16	E120	23	MAAL1	E147	8	MD15	E134	9	MSIDL4	CT2	1
GND	E29	14	GND	E82	14	LRD16	R47	2	MAAL2	CP1	1	MD15	J1	29	MSIDL4	DT2	1
GND	E9	14	GND	E83	14	LRD17	E120	22	MAAL2	CP2	1	MD16	E120	2	MSWT1	CK1	1
GND	E30	14	GND	E84	14	LRD17	R44	2	MAAL2	E118	11	MD16	J1	22	MSWT1	CK2	1
GND	E31	14	GND	E85	14	LRD18	E120	21	MAAL2	E132	6	MD17	E120	3	MSWT1	E118	6
GND	E32	14	GND	E86	14	LRD18	R41	2	MAAL2	E147	17	MD17	J1	33	MSWT1	E119	11
GND	E33	14	GND	E87	14	LRD19	E120	20	MAAL2	E147	4	MD18	E120	4	MSWT1	E131	11
GND	E34	14	GND	E88	14	LRD19	R38	2	MAAL3	DF1	1	MD18	J1	34	MSWT1	E132	13
GND	E35	14	GND	E89	14	LRD20	E133	21	MAAL3	DF2	1	MD19	E120	5	MSWT2	DS1	1
GND	E36	14	GND	E9	14	LRD2	R85	2	MAAL3	E118	2	MD19	J1	35	MSWT2	DS2	1
GND	E37	14	GND	E90	14	LRD20	E120	19	MAAL3	E119	4	MD2	E133	4	PEL0	E133	10
GND	E38	14	GND	E91	14	LRD20	R35	2	MAAL3	E131	6	MD2	J1	4	PEL0	J1	19
GND	E39	14	GND	E92	14	LRD21	E120	18	MAAL3	E132	17	MD20	E120	6	PEL1	E134	10
GND	E4	14	GND	E93	14	LRD21	R18	2	MAAL4	DE1	1	MD20	J1	36	PEL1	J1	24

*THIS DRAWING AND SPECIFICATIONS, HEREIN, ARE THE PROPERTY OF DIGITAL EQUIPMENT CORPORATION AND SHALL NOT BE REPRODUCED OR COPIED OR USED IN WHOLE OR IN PART AS THE BASIS FOR THE MANUFACTURE OR SALE OF ITEMS WITHOUT WRITTEN PERMISSION.
 COPYRIGHT 1984 DIGITAL EQUIPMENT CORPORATION*

REVISION HISTORY		
REV	ECO NUMBER	DATE

DRAWING
 LAST MODIFIED=Thu Mar 14 16:26:18 1985



DRN: Malcolm de Mare
 CHK'D: Dave Drozd

DATE 29-OCT-84
 DATE 29-OCT-84

ENG: Malcolm de Mare
 SHEET 10 OF 12
 NEXT HIGHER ASSEMBLY: B-DD-M7608-0-0

TITLE: MS630-B
 SIZE K
 CODE CS
 NUMBER M7608-0-1
 REV B

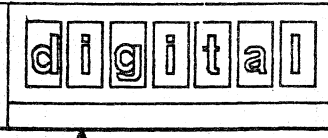
8 7 6 5 4 3 2 1

SIGNAL	PART	PIN	SIGNAL	PART	PIN	SIGNAL	PART	PIN	SIGNAL	PART	PIN	SIGNAL	PART	PIN	SIGNAL	PART	PIN
PEL2	E120	10	RD10	E15	2	RD16	E98	14	RD22	E123	14	RD28	E85	2	RD34	E130	2
PEL2	J1	32	RD10	E33	14	RD16	E98	2	RD22	E123	2	RD28	R24	1	RD34	E81	14
PEL3	E121	10	RD10	E33	2	RD16	R47	1	RD22	E74	14	RD29	E102	14	RD34	E81	2
PEL3	J1	27	RD10	E51	14	RD17	E115	14	RD22	E74	2	RD29	E102	2	RD34	E99	14
RAL4	E145	9	RD10	E51	2	RD17	E115	2	RD22	E92	14	RD29	E137	14	RD34	E99	2
RAL4	R67	1	RD10	E69	14	RD17	E128	14	RD22	E92	2	RD29	E137	2	RD34	R50	1
RAL5	E145	7	RD10	E69	2	RD17	E128	2	RD22	R15	1	RD29	E150	14	RD35	E108	14
RAL5	R70	1	RD10	R62	1	RD17	E79	14	RD23	E109	14	RD29	E150	2	RD35	E108	2
RAL5	E145	12	RD11	E14	14	RD17	E79	2	RD23	E109	2	RD29	E84	14	RD35	E143	14
RAL5	R34	1	RD11	E14	2	RD17	E97	14	RD23	E122	14	RD29	E84	2	RD35	E143	2
RAL7	E145	14	RD11	E32	14	RD17	E97	2	RD23	E122	2	RD29	R3	1	RD35	E156	14
RAL7	R1	1	RD11	E32	2	RD17	R44	1	RD23	E73	14	RD3	E23	14	RD35	E156	2
RAS0	CL2	1	RD11	E50	14	RD18	E114	14	RD23	E73	2	RD3	E23	2	RD35	E90	14
RAS0	CU1	1	RD11	E50	2	RD18	E114	2	RD23	E91	14	RD3	E41	14	RD35	E90	2
RAS1	CD2	1	RD11	E68	14	RD18	E127	14	RD23	E91	2	RD3	E41	2	RD35	R9	1
RAS1	CF1	1	RD11	E68	2	RD18	E127	2	RD23	R12	1	RD3	E5	14	RD4	E22	14
RAS2	DN1	1	RD11	R61	1	RD18	E78	14	RD24	E107	14	RD3	E5	2	RD4	E22	2
RAS2	DU2	1	RD12	E13	14	RD18	E78	2	RD24	E107	2	RD3	E59	14	RD4	E4	14
RAS3	DK1	1	RD12	E13	2	RD18	E96	14	RD24	E142	14	RD3	E59	2	RD4	E4	2
RAS3	DL2	1	RD12	F31	14	RD18	E96	2	RD24	E142	2	RD3	R62	1	RD4	E40	14
RAS4	CL1	1	RD12	L31	2	RD18	R41	1	RD24	E155	14	RD30	E101	14	RD4	E40	2
RAS4	E145	11	RD12	E49	14	RD19	E113	14	RD24	E155	2	RD30	E101	2	RD4	E58	14
RAS4	E145	15	RD12	E49	2	RD19	E113	2	RD24	E89	14	RD30	E136	14	RD4	E58	2
RAS5	CD1	1	RD12	E67	14	RD19	E126	14	RD24	E89	2	RD30	E136	2	RD4	R78	1
RAS5	E145	13	RD12	E67	2	RD19	E126	2	RD24	R33	1	RD30	E149	14	RD5	E21	14
RAS5	E145	17	RD12	R59	1	RD19	E77	14	RD25	E106	14	RD30	E149	2	RD5	E21	2
RAS6	DU1	1	RD13	E12	14	RD19	E77	2	RD25	E106	2	RD30	E83	14	RD5	E3	14
RAS6	E145	4	RD13	E12	2	RD19	E95	14	RD25	E141	14	RD30	E83	2	RD5	E3	2
RAS6	E145	8	RD13	E30	14	RD19	E95	2	RD25	E141	2	RD30	R21	1	RD5	E39	14
RAS7	DL1	1	RD13	E30	2	RD19	R38	1	RD25	E154	14	RD31	E100	14	RD5	E39	2
RAS7	E145	2	RD13	E48	14	RD2	E24	14	RD25	E154	2	RD31	E100	2	RD5	E57	14
RAS7	E145	6	RD13	E48	2	RD2	E24	2	RD25	E88	14	RD31	E135	14	RD5	E57	2
RBL4	E145	5	RD13	E66	14	RD2	E42	14	RD25	E88	2	RD31	E135	2	RD5	R75	1
RBL4	R66	1	RD13	E66	2	RD2	E42	2	RD25	R32	1	RD31	E148	14	RD6	E2	14
RBL5	E145	3	RD13	R58	1	RD2	E6	14	RD26	E105	14	RD31	E148	2	RD6	E2	2
RBL5	R80	1	RD14	E11	14	RD2	E6	2	RD26	E105	2	RD31	E82	14	RD6	E20	14
RBL5	E145	16	RD14	E11	2	RD2	E30	14	RD26	E140	14	RD31	E82	2	RD6	E20	2
RBL6	R87	1	RD14	E29	14	RD2	E30	2	RD26	E140	2	RD31	R6	1	RD6	E38	14
RBL6	E145	16	RD14	E29	2	RD2	R65	1	RD26	E153	14	RD32	E27	14	RD6	E38	2
RBL7	R93	1	RD14	E47	14	RD20	E112	14	RD26	E153	2	RD32	E27	2	RD6	E56	14
RBL7	E26	14	RD14	E47	2	RD20	E112	2	RD26	E87	14	RD32	E45	14	RD6	E56	2
RD0	E26	2	RD14	E65	14	RD20	E125	14	RD26	E87	2	RD32	E45	2	RD6	R73	1
RD0	E44	14	RD14	E65	2	RD20	E125	2	RD26	R30	1	RD32	E63	14	RD7	E1	14
RD0	E44	2	RD14	R56	1	RD20	E76	14	RD27	E104	14	RD32	E63	2	RD7	E1	2
RD0	E62	14	RD15	E10	14	RD20	E76	2	RD27	E104	2	RD32	E9	14	RD7	E19	14
RD0	E62	2	RD15	E10	2	RD20	E94	14	RD27	E139	14	RD32	E9	2	RD7	E19	2
RD0	E8	14	RD15	E28	14	RD20	E94	2	RD27	E139	2	RD32	R94	1	RD7	E37	14
RD0	E8	2	RD15	E28	2	RD20	R35	1	RD27	E152	14	RD33	E18	14	RD7	E37	2
RD0	R91	1	RD15	E46	14	RD21	E111	14	RD27	E152	2	RD33	E18	2	RD7	E55	14
RD1	E25	14	RD15	E46	2	RD21	E111	2	RD27	E86	14	RD33	E36	14	RD7	E55	2
RD1	E25	2	RD15	E64	14	RD21	E124	14	RD27	E86	2	RD33	E36	2	RD7	R72	1
RD1	E43	14	RD15	E64	2	RD21	E124	2	RD27	R27	1	RD33	E54	14	RD8	E17	14
RD1	E43	2	RD15	R53	1	RD21	E75	14	RD28	E103	14	RD33	E54	2	RD8	E17	2
RD1	E61	14	RD16	E116	14	RD21	E75	2	RD28	E103	2	RD33	E72	14	RD8	E35	14
RD1	E61	2	RD16	E116	2	RD21	E93	14	RD28	E136	14	RD33	E72	2	RD8	E35	2
RD1	E7	14	RD16	E129	14	RD21	E93	2	RD28	E136	2	RD33	R71	1	RD8	E53	14
RD1	E7	2	RD16	E129	2	RD21	R18	1	RD28	E151	14	RD34	E117	14	RD8	E53	2
RD1	R88	1	RD16	E80	14	RD22	E110	14	RD28	E151	2	RD34	E117	2	RD8	E71	14
RD1	E15	14	RD16	E80	2	RD22	E110	2	RD28	E65	14	RD34	E130	14	RD8	E71	2

*THIS DRAWING AND SPECIFICATIONS, HEREIN, ARE THE PROPERTY OF DIGITAL EQUIPMENT CORPORATION AND SHALL NOT BE REPRODUCED OR COPIED OR USED IN WHOLE OR IN PART AS THE BASIS FOR THE MANUFACTURE OR SALE OF ITEMS WITHOUT WRITTEN PERMISSION.
COPYRIGHT 1984 DIGITAL EQUIPMENT CORPORATION

REVISION HISTORY		
REV	ECO NUMBER	DATE

DRAWING
LAST MODIFIED=Thu Mar 14 16:26:53 1985



DRN: Malcolm de Mare	DATE 23-OCT-84	ENG: Malcolm de Mare	DATE 20-SEP-84
CHK'D: Dave Drozd	DATE 23-OCT-84	SHEET 11 OF 12	
NEXT HIGHER ASSEMBLY:		SIZE K	CODE CS
B-DD-M7608-0-0		NUMBER M7608-0-1	REV B

TITLE: MS630-B

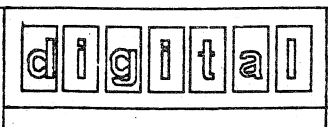
8 7 6 5 4 3 2 1

8			7			6			5			4			3			2			1		
SIGNAL	PART	PIN	SIGNAL	PART	PIN	SIGNAL	PART	PIN	SIGNAL	PART	PIN	SIGNAL	PART	PIN	SIGNAL	PART	PIN	SIGNAL	PART	PIN	SIGNAL	PART	PIN
RD8	R58	1	VCC	C120	1	VCC	C29	1	VCC	C82	1	VCC	E133	24	VCC	E46	8	VCC	E46	8	VCC	E46	8
RD9	E16	14	VCC	C121	1	VCC	C3	1	VCC	C83	1	VCC	E134	24	VCC	E47	8	VCC	E47	8	VCC	E47	8
RD9	E16	2	VCC	C122	1	VCC	C30	1	VCC	C84	1	VCC	E135	8	VCC	E48	8	VCC	E48	8	VCC	E48	8
RD9	E34	14	VCC	C123	1	VCC	C31	1	VCC	C85	1	VCC	E136	8	VCC	E49	8	VCC	E49	8	VCC	E49	8
RD9	E34	2	VCC	C124	1	VCC	C32	1	VCC	C86	1	VCC	E137	8	VCC	E5	8	VCC	E5	8	VCC	E5	8
RD9	E52	14	VCC	C125	1	VCC	C33	1	VCC	C87	1	VCC	E138	8	VCC	E50	8	VCC	E50	8	VCC	E50	8
RD9	E52	2	VCC	C126	1	VCC	C34	1	VCC	C88	1	VCC	E139	8	VCC	E51	8	VCC	E51	8	VCC	E51	8
RD9	E70	14	VCC	C127	1	VCC	C35	1	VCC	C89	1	VCC	E14	8	VCC	E52	8	VCC	E52	8	VCC	E52	8
RD9	E70	2	VCC	C128	1	VCC	C36	1	VCC	C90	1	VCC	E140	8	VCC	E53	8	VCC	E53	8	VCC	E53	8
RD9	R65	1	VCC	C129	1	VCC	C37	1	VCC	C91	1	VCC	E141	8	VCC	E54	8	VCC	E54	8	VCC	E54	8
SBUFIL	DC1	1	VCC	C13	1	VCC	C38	1	VCC	C92	1	VCC	E142	8	VCC	E55	8	VCC	E55	8	VCC	E55	8
SBUFIL	E144	14	VCC	C130	1	VCC	C39	1	VCC	C93	1	VCC	E143	8	VCC	E56	8	VCC	E56	8	VCC	E56	8
SBUFIL	E144	2	VCC	C131	1	VCC	C4	1	VCC	C94	1	VCC	E144	16	VCC	E57	8	VCC	E57	8	VCC	E57	8
SBUFIL	R97	2	VCC	C132	1	VCC	C40	1	VCC	C95	1	VCC	E145	20	VCC	E58	8	VCC	E58	8	VCC	E58	8
SGND1L	E120	11	VCC	C133	1	VCC	C41	1	VCC	C96	1	VCC	E146	20	VCC	E59	8	VCC	E59	8	VCC	E59	8
SGND1L	E121	11	VCC	C134	1	VCC	C42	1	VCC	C97	1	VCC	E147	20	VCC	E6	8	VCC	E6	8	VCC	E6	8
SGND1L	E133	11	VCC	C135	1	VCC	C43	1	VCC	C98	1	VCC	E148	8	VCC	E60	8	VCC	E60	8	VCC	E60	8
SGND1L	E134	11	VCC	C136	1	VCC	C44	1	VCC	C99	1	VCC	E149	8	VCC	E61	8	VCC	E61	8	VCC	E61	8
SGND1L	R79	2	VCC	C137	1	VCC	C45	1	VCC	CA2	1	VCC	E15	8	VCC	E62	8	VCC	E62	8	VCC	E62	8
SGND2L	E119	19	VCC	C138	1	VCC	C46	1	VCC	DA2	1	VCC	E150	8	VCC	E63	8	VCC	E63	8	VCC	E63	8
SGND2L	E131	19	VCC	C139	1	VCC	C47	1	VCC	E1	8	VCC	E151	8	VCC	E64	8	VCC	E64	8	VCC	E64	8
SGND2L	E132	19	VCC	C14	1	VCC	C48	1	VCC	E10	8	VCC	E152	8	VCC	E65	8	VCC	E65	8	VCC	E65	8
SGND2L	E145	19	VCC	C140	1	VCC	C49	1	VCC	E100	8	VCC	E153	8	VCC	E66	8	VCC	E66	8	VCC	E66	8
SGND2L	E146	19	VCC	C141	1	VCC	C5	1	VCC	E101	8	VCC	E154	8	VCC	E67	8	VCC	E67	8	VCC	E67	8
SGND2L	E147	1	VCC	C142	1	VCC	C50	1	VCC	E102	8	VCC	E155	8	VCC	E68	8	VCC	E68	8	VCC	E68	8
SGND2L	R26	2	VCC	C143	1	VCC	C51	1	VCC	E103	8	VCC	E156	8	VCC	E69	8	VCC	E69	8	VCC	E69	8
SGND3L	E118	1	VCC	C144	1	VCC	C52	1	VCC	E104	8	VCC	E16	8	VCC	E7	8	VCC	E7	8	VCC	E7	8
SGND3L	E118	19	VCC	C145	1	VCC	C53	1	VCC	E105	8	VCC	E17	8	VCC	E70	8	VCC	E70	8	VCC	E70	8
SGND3L	E119	1	VCC	C146	1	VCC	C54	1	VCC	E106	8	VCC	E18	8	VCC	E71	8	VCC	E71	8	VCC	E71	8
SGND3L	E131	1	VCC	C147	1	VCC	C55	1	VCC	E107	8	VCC	E19	8	VCC	E72	8	VCC	E72	8	VCC	E72	8
SGND3L	E132	1	VCC	C148	1	VCC	C56	1	VCC	E108	8	VCC	E2	8	VCC	E73	8	VCC	E73	8	VCC	E73	8
SGND3L	R29	2	VCC	C149	1	VCC	C57	1	VCC	E109	8	VCC	E20	8	VCC	E74	8	VCC	E74	8	VCC	E74	8
VCC	RA2	1	VCC	C15	1	VCC	C58	1	VCC	E11	8	VCC	E21	8	VCC	E75	8	VCC	E75	8	VCC	E75	8
VCC	BA2	1	VCC	C150	1	VCC	C59	1	VCC	E110	8	VCC	E22	8	VCC	E76	8	VCC	E76	8	VCC	E76	8
VCC	BU1	1	VCC	C151	1	VCC	C6	1	VCC	E111	8	VCC	E23	8	VCC	E77	8	VCC	E77	8	VCC	E77	8
VCC	C1	1	VCC	C152	1	VCC	C60	1	VCC	E112	8	VCC	E24	8	VCC	E78	8	VCC	E78	8	VCC	E78	8
VCC	C10	1	VCC	C153	1	VCC	C61	1	VCC	E113	8	VCC	E25	8	VCC	E79	8	VCC	E79	8	VCC	E79	8
VCC	C100	1	VCC	C154	1	VCC	C62	1	VCC	E114	8	VCC	E26	8	VCC	E8	8	VCC	E8	8	VCC	E8	8
VCC	C101	1	VCC	C155	1	VCC	C63	1	VCC	E115	8	VCC	E27	8	VCC	E80	8	VCC	E80	8	VCC	E80	8
VCC	C102	1	VCC	C156	1	VCC	C64	1	VCC	E116	8	VCC	E28	8	VCC	E81	8	VCC	E81	8	VCC	E81	8
VCC	C103	1	VCC	C157	1	VCC	C65	1	VCC	E117	8	VCC	E29	8	VCC	E82	8	VCC	E82	8	VCC	E82	8
VCC	C104	1	VCC	C158	1	VCC	C66	1	VCC	E118	20	VCC	E3	8	VCC	E83	8	VCC	E83	8	VCC	E83	8
VCC	C105	1	VCC	C16	1	VCC	C67	1	VCC	E119	20	VCC	E30	8	VCC	E84	8	VCC	E84	8	VCC	E84	8
VCC	C106	1	VCC	C160	1	VCC	C68	1	VCC	E12	8	VCC	E31	8	VCC	E85	8	VCC	E85	8	VCC	E85	8
VCC	C107	1	VCC	C161	1	VCC	C69	1	VCC	E120	24	VCC	E32	8	VCC	E86	8	VCC	E86	8	VCC	E86	8
VCC	C108	1	VCC	C162	1	VCC	C7	1	VCC	E121	24	VCC	E33	8	VCC	E87	8	VCC	E87	8	VCC	E87	8
VCC	C109	1	VCC	C17	1	VCC	C70	1	VCC	E122	8	VCC	E34	8	VCC	E88	8	VCC	E88	8	VCC	E88	8
VCC	C11	1	VCC	C18	1	VCC	C71	1	VCC	E123	8	VCC	E35	8	VCC	E89	8	VCC	E89	8	VCC	E89	8
VCC	C110	1	VCC	C19	1	VCC	C72	1	VCC	E124	8	VCC	E36	8	VCC	E9	8	VCC	E9	8	VCC	E9	8
VCC	C111	1	VCC	C2	1	VCC	C73	1	VCC	E125	8	VCC	E37	8	VCC	E90	8	VCC	E90	8	VCC	E90	8
VCC	C112	1	VCC	C20	1	VCC	C74	1	VCC	E126	8	VCC	E38	8	VCC	E91	8	VCC	E91	8	VCC	E91	8
VCC	C113	1	VCC	C21	1	VCC	C75	1	VCC	E127	8	VCC	E39	8	VCC	E92	8	VCC	E92	8	VCC	E92	8
VCC	C114	1	VCC	C22	1	VCC	C76	1	VCC	E128	8	VCC	E4	8	VCC	E93	8	VCC	E93	8	VCC	E93	8
VCC	C115	1	VCC	C23	1	VCC	C77	1	VCC	E129	8	VCC	E40	8	VCC	E94	8	VCC	E94	8	VCC	E94	8
VCC	C116	1	VCC	C24	1	VCC	C78	1	VCC	E13	8	VCC	E41	8	VCC	E95	8	VCC	E95	8	VCC	E95	8
VCC	C117	1	VCC	C25	1	VCC	C79	1	VCC	E130	8	VCC	E42	8	VCC	E96	8	VCC	E96	8	VCC	E96	8
VCC	C118	1	VCC	C26	1	VCC	C8	1	VCC	E131	20	VCC	E43	8	VCC	E97	8	VCC	E97	8	VCC	E97	8
VCC	C119	1	VCC	C27	1	VCC	C80	1	VCC	E132	20	VCC	E44	8	VCC	E98	8	VCC	E98	8	VCC	E98	8
VCC	C12	1	VCC	C28	1	VCC	C81	1	VCC			VCC	E45	8	VCC	E99	8	VCC	E99	8	VCC	E99	8
															VCC	R97	1						

*THIS DRAWING AND SPECIFICATIONS, HEREIN, ARE THE PROPERTY OF DIGITAL EQUIPMENT CORPORATION AND SHALL NOT BE REPRODUCED OR COPIED OR USED IN WHOLE OR IN PART AS THE BASIS FOR THE MANUFACTURE OR SALE OF ITEMS WITHOUT WRITTEN PERMISSION.
 COPYRIGHT 1984 DIGITAL EQUIPMENT CORPORATION*

REVISION HISTORY		
REV	ECO NUMBER	DATE

DRAWING
 LAST_MODIFIED=Thu Mar 14 16:28:13 1985



DRN: Malcolm de Mare
 CHK'D: Dave Drozd

DATE 23-OCT-84

DATE 23-OCT-84

ENG: Malcolm de Mare

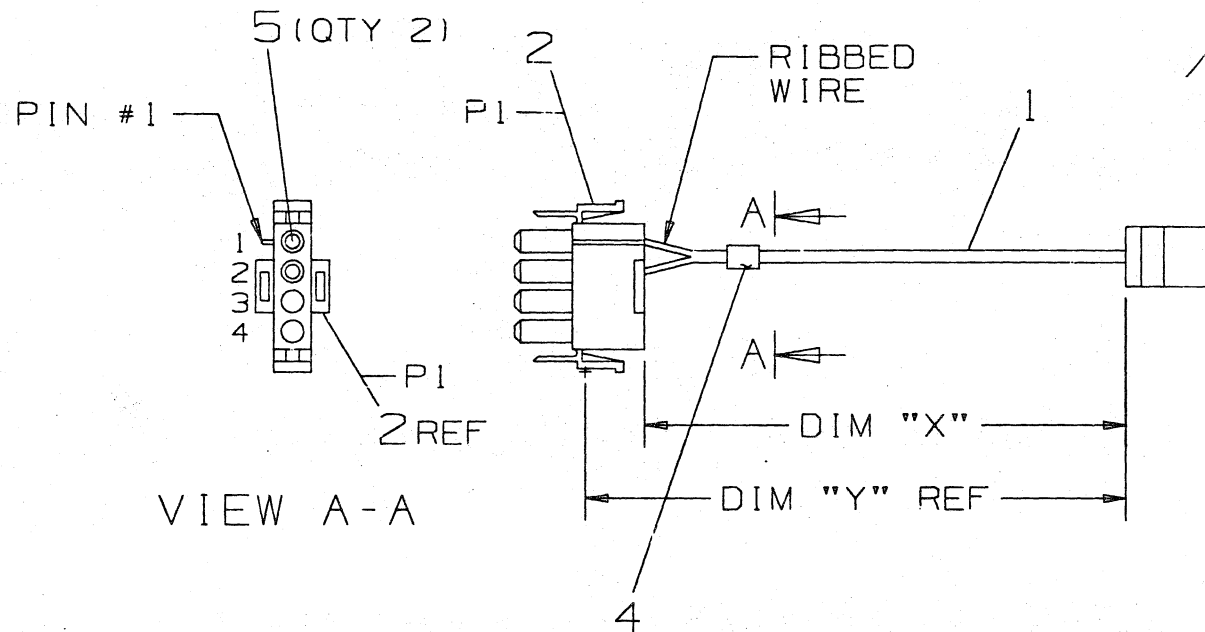
DATE 23-SEP-84

TITLE: MS630-B
 SHEET 12 OF 12
 NEXT HIGHER ASSEMBLY: B-DD-M7608-0-0
 SIZE K CODE CS NUMBER M7608-0-1 REV B

THIS DRAWING AND SPECIFICATIONS, HEREIN, ARE THE PROPERTY OF DIGITAL EQUIPMENT CORPORATION. THEY ARE TO BE USED IN WHOLE OR IN PART AS THE BASIS FOR THE MANUFACTURE OR SALE OF ITEMS WITHOUT WRITTEN PERMISSION. COPYRIGHT © 1984 DIGITAL EQUIPMENT CORPORATION

WIRE TABLE

ITEM NO.	DESCRIPTION		FROM		TO		REMARKS
	AWG	COLOR	CONN	WITH	CONN	WITH	
1	18	BLK	—	—	PI-1	3	RIBBED WIRE
	18	BLK	—	—	PI-2	3	



LEGEND		
NUMBER	DIM "X" VARIATION	DIM "Y" (PRECUT) REF
7020449-0D	4.25 IN ±.25 IN	4.75 IN ±.25 IN

CAUTION: OFF SHEET PARTS LIST EXISTS
REFER TO K-PL-7020449-0-DBP

REVISIONS		REV.
CHK	CHANGE NO.	A
	INITIAL	B
	7020449-MLOO1	
	S AZEVEDO 16JAN84	
	R. MILLER	

FIRST HIGHER ASS'Y

DESCRIPTION	DRAWING NO.	PART NO.	ITEM NO.					
UNLESS OTHERWISE SPECIFIED DIMENSIONS ARE IN INCHES AND THE FOLLOWING TOLERANCES APPLY (PER DEC STD 114)								
INCHES TOLERANCES	ANGLES ±0°-30°	DIMENSION RANGE IN INCHES						
		APPLICABLE DIMENSION RANGE (CHECK ONE)	OVER 0 TO 0.2	OVER 0.2 TO 1.2	OVER 1.2 TO 4.0	OVER 4.0 TO 12.0	OVER 12.0 TO 40.0	OVER 40.0 TO 60.0
.X = ±.1	SURFACE QUALITY	<input type="checkbox"/>	±.02	±.03	±.05	±.10		
.XX = ±.02		<input type="checkbox"/>	±.004	±.008	±.012	±.016	±.024	±.04
.XXX = ±.005		<input type="checkbox"/>						
THIRD ANGLE PROJECTION		DRN	DATE	TITLE				
		M DUGGAN	15 DEC 82	digital				
DO NOT SCALE DRAWING		CHK'D	DATE	CABLE, FAN				
REMOVE BURRS AND BREAK SHARP CORNERS		D MILLER	4 FEB 83					
MATERIAL SEE PARTS LIST		DES. ENG.	DATE					
		D MILLER	4 FEB 83					
		RESP. ENG.	DATE					
		A DELUCA	4 FEB 83					
		MFG. ENG.	DATE					
		M LIVINGSTON	4 FEB 83					
FINISH NONE		TOP DOC.		DOCUMENT NUMBER				
				SIZE	CODE	NUMBER	REV.	
				C	IA	7020449-0-DBU	B	
				SCALE NONE		SHEET 1 OF 1		

D
C
B
A

4 3 2 1

REV. B
NUMBER 7020449-0-DBU
SIZE CODE C IA

LINE ITEM	TOP DOCUMENT	PART NUMBER	MIN REV	DESCRIPTION	QTY	PER VARIATION
1	1	1210283-00		PWR CORD,TERM 2-18 SPT	300	1
2	2	1212167-01		MATE-N-LOK 04SKT(1X04).250CC HSG		1
3	3	1212169-02		*** THIS ITEM IS NOT USED ***		-
4	4	9009255-01		LABEL, POWER SUPPLY, 2-7/8" LG X		1
5	5	1212169-00		MATE-N-LOK 01PIN 20-14AWG .0850D		1

REVISION HISTORY		BASIC PART NO: 7020449		DRN:	M. DUGGAN	DATE:	17-DEC-82	D I G I T A L			
ENG	ECO NUMBER	REV	SECTION A OF A	CHK'D:	D. MILLER	DATE:	4-FEB-83	TITLE PARTS LIST			
DM	INITIAL 7020449-MLOQ1	A B	SECTION VARIATION INDEX [A]OD	DES.ENG:	D. MILLER	DATE:	4-FEB-83	DOCUMENT NUMBER			
			[B]	RESP.ENG.:	A. DELUCA	DATE:	4-FEB-83	SIZE	CODE	NUMBER	REV
			[C]	MFG.ENG.:	M. LIVINGSTON	DATE:	4-FEB-83	K	PL	7020449-0-DBP	B
			[D]	ASSEMBLY NUMBER:	C-IA-7020449-0-DBU	TOP DOCUMENT NUMBER:		FILE NAME:	Z6198B.PLS	EDIT #:	10
			[E]			RELEASE DATE:	22-FEB-84				
			[F]								

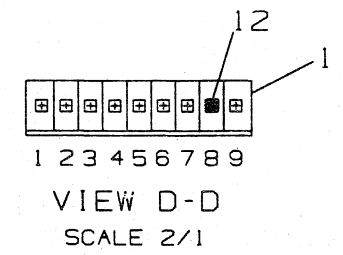
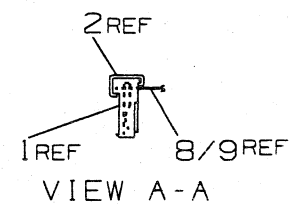
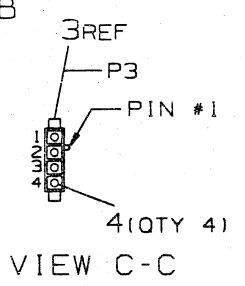
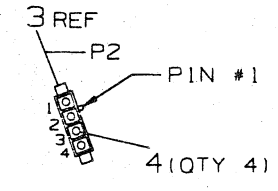
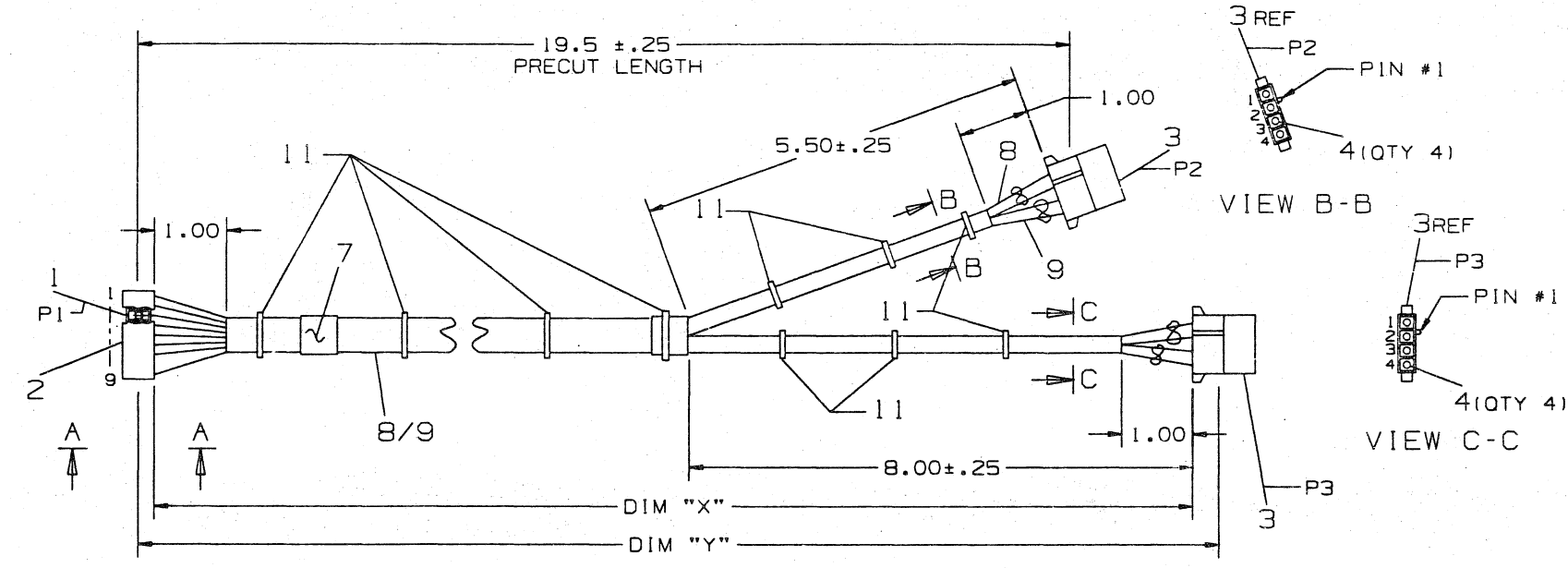
"THIS DRAWING AND THE SPECIFICATIONS CONTAINED HEREIN ARE CONFIDENTIAL AND PROPRIETARY. THEY ARE THE PROPERTY OF DIGITAL EQUIPMENT CORPORATION AND SHALL NOT BE REPRODUCED OR COPIED OR USED IN WHOLE OR IN PART AS THE BASIS FOR THE MANUFACTURE OR SALE OF ITEMS WITHOUT WRITTEN PERMISSION. THIS IS AN UNPUBLISHED WORK PROTECTED UNDER THE FEDERAL COPYRIGHT LAWS."

*THIS DRAWING AND SPECIFICATIONS, HERE IN, ARE THE PROPERTY OF DIGITAL EQUIPMENT CORPORATION AND SHALL NOT BE REPRODUCED OR COPIED OR USED IN WHOLE OR IN PART AS THE BASIS FOR THE MANUFACTURE OR SALE OF ITEMS WITHOUT WRITTEN PERMISSION.
 COPYRIGHT © 1984 DIGITAL EQUIPMENT CORPORATION*

WIRE TABLE								
ITEM NO.	DESCRIPTION	AWG	COLOR	FROM		TO		REMARKS
				CONN	WITH	CONN	WITH	
5	18 TWP	ORN		P1-5	---	P2-1	4	
		BLK		P1-7	---	P2-2	4	
	18 TWP	RED		P1-3	---	P2-4	4	
		BLK		P1-1	---	P2-3	4	
	18 TWP	ORN		P1-6	---	P3-1	4	
		BLK		P1-9	---	P3-2	4	
18 TWP	RED		P1-4	---	P3-4	4		
	BLK		P1-2	---	P3-3	4		

LEGEND		
NUMBER	DIM X VARIATION	DIM Y (PRECUT)
7020435-1K	1 FT-9 IN ± .5 IN	1 FT-10 IN ± .25 IN

NOTES:
 1. PLACE TIE WRAPS (ITEM #11) EVERY 3 INCHES ON CABLE.



CAUTION: OFF SHEET PARTS LIST EXISTS
 REFER TO K-PL-7020435-0-DBP

REV.	CHANGE NO.	INITIAL	DATE
A			
B	7020435-M.001		
C	7020435-M.002		

REVISIONS
 S. TRUDEAU 30/APR/83
 RICHARD MILLER
 S. AZEVEDO 16/JAN/84
 R. MILLER

DESCRIPTION	DRAWING NO.	PART NO.	ITEM NO.
UNLESS OTHERWISE SPECIFIED DIMENSIONS ARE IN INCHES AND THE FOLLOWING TOLERANCES APPLY (PER DEC STD 114)			
INCHES TOLERANCES	ANGLES ± 30°	APPLICABLE DIMENSION RANGE	
		OVER 0 TO 0.2	OVER 0.2 TO 12.0
SURFACE QUALITY	FINISH	DIMENSION RANGE IN INCHES	
		OVER 12.0 TO 40.0	OVER 40.0 TO 80.0
QUANTITY & VARIATION	FINISH	DATE	TITLE
THIRD ANGLE PROJECTION	DATE	18 DEC 82	CABLE, DC POWER DRIVE
DO NOT SCALE DRAWING	DATE	4 FEB 83	
REMOVE BURRS AND BREAK SHARP CORNERS	DATE	4 FEB 83	
MATERIAL SEE PARTS LIST	DATE	4 FEB 83	
FINISH NONE	DATE	4 FEB 83	
DOCUMENT NUMBER		SIZE	REV.
DIA 7020435-0-DBU C		D	C
SCALE NONE		SHEET 1 OF 1	

LINE	ITEM	TOP DOCUMENT	PART NUMBER	MIN REV	DESCRIPTION	QTY PER VARIATION
						1K
						VARIATION REVISION LEVEL:
1	1		1216651-14		CONN, IDC 09SKT(1X09).156CC	1
2	2		1216650-02		CONN, IDC 9POS STANDARD COVER	1
3	3		1210821-04		MATE-N-LOK 04SKT(1X04) HSG	2
4	4		1209379-00		MATE-N-LOK 01SKT 20-14AWG .0820D	8
5	5		1700394-01		*** THIS ITEM IS NOT USED ***	-
6	6		9009507-00		*** THIS ITEM IS NOT USED ***	-
7	7		9009255-01		LABEL, POWER SUPPLY, 2-7/8" LG X	1
8	8		9107430-02		WIRE, TWP 18AWG(19/30)IPVC 150V	A/R
9	9		9107430-03		WIRE, TWP 18AWG(19/30)IPVC 150V	A/R
10	10		1219389-02		*** THIS ITEM IS NOT USED ***	-
11	11		9007031-00		TIE, CABLE BUNDL. DIA 0- 3/4"=101	8
12	12		1215588-00		CONN, P+S KEYING PLUG USE W	12 1

REVISION HISTORY			BASIC PART NO: 7020435		DRN:	M. DUGGAN	DATE:	20-DEC-82	D I G I T A L					
ENG	ECO NUMBER	REV	SECTION A OF A		CHK'D:	D. MILLER	DATE:	4-FEB-83	TITLE PARTS LIST					
			SECTION.VARIATION INDEX						CABLE, DC POWER DRIVE					
	INITIAL	A												
RM	7020435-ML001	B	[A]1K											
RM	7020435-ML002	C												
			[B]	DES.ENG:		D. MILLER	DATE:		4-FEB-83		DOCUMENT NUMBER			
			[C]	RESP.ENG.:		A. DELUCA	DATE:		4-FEB-83		SIZE	CODE	NUMBER	REV
			[D]	MFG.ENG.:		M. LIVINGSTON	DATE:		4-FEB-83		K	PL	7020435-0-DBP	C
			[E]	ASSEMBLY NUMBER:				TOP DOCUMENT NUMBER:		FILE NAME:		EDIT #		
			[F]	D-IA-7020435-0-DBU						Z5983C.PLS		11		

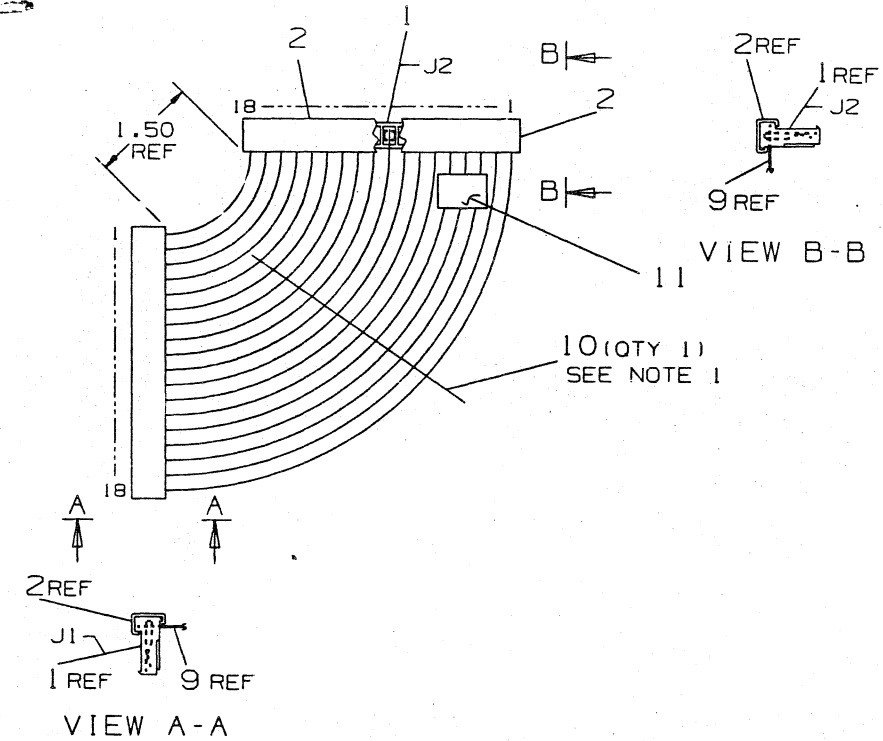
"THIS DRAWING AND THE SPECIFICATIONS CONTAINED HEREIN ARE CONFIDENTIAL AND PROPRIETARY. THEY ARE THE PROPERTY OF DIGITAL EQUIPMENT CORPORATION AND SHALL NOT BE REPRODUCED OR COPIED OR USED IN WHOLE OR IN PART AS THE BASIS FOR THE MANUFACTURE OR SALE OF ITEMS WITHOUT WRITTEN PERMISSION. THIS IS AN UNPUBLISHED WORK PROTECTED UNDER THE FEDERAL COPYRIGHT LAWS."

"THIS DRAWING AND SPECIFICATIONS, HEREIN, ARE THE PROPERTY OF DIGITAL EQUIPMENT CORPORATION AND SHALL NOT BE REPRODUCED OR COPIED OR USED IN WHOLE OR IN PART AS THE BASIS FOR THE MANUFACTURE OR SALE OF ITEMS WITHOUT WRITTEN PERMISSION.
 COPYRIGHT © 1984 DIGITAL EQUIPMENT CORPORATION"

LEGEND		
PART NO.	REV	VARIATION
7020450-01	C1	AS SHOWN
7020450-02	A1	SEE WIRE TABLE

ITEM NO.	DESCRIPTION		FROM		TO		-01 WIRE LENGTH (±.12)	-02 WIRE LENGTH (±.12)
	AWG	COLOR	CONN	WITH	CONN	WITH		
3	18	RED	J1-1	---	J2-18	---	2.19	2.19
3			J1-2	---	J2-17	---	2.31	2.31
3			J1-3	---	J2-16	---	2.50	2.50
3			J1-4	---	J2-15	---	2.56	2.56
3			J1-5	---	J2-14	---	2.88	2.88
3		RED	J1-6	---	J2-13	---	3.06	3.06
4		BLK	J1-7	---	J2-12	---	3.19	3.19
4			J1-8	---	J2-11	---	3.37	3.37
4			J1-9	---	J2-10	---	3.63	3.63
4			J1-10	---	J2-9	---	4.06	4.06
4			J1-11	---	J2-8	---	4.31	4.31
4			J1-12	---	J2-7	---	4.81	4.81
4		BLK	J1-13	---	J2-6	---	5.06	5.06
5		BLU	J1-14	---	J2-5	---	5.31	5.31
6		VIO	J1-15	---	J2-4	---	5.44	5.44
7		WHT	J1-16	---	J2-3	---	6.00	---
8		ORN	J1-17	---	J2-2	---	6.19	6.19
9	18	YEL	J1-18	---	J2-1	---	6.31	6.31

NOTES:
 1. THE TIE WRAP, ITEM 10, SHOULD BE AROUND WIRES J1-5 THRU J1-13 ONLY.



REV.	CHANGE NO.	INITIAL	DATE
A			
B			
C			
D			
E			
F			
G			
H			
I			
J			
K			
L			
M			
N			
O			
P			
Q			
R			
S			
T			
U			
V			
W			
X			
Y			
Z			

CAUTION: OFF SHEET PARTS LIST EXISTS REFER TO K-PL-7020450-0-DBU

DESCRIPTION	DRAWING NO.	PART NO.	ITEM NO.
UNLESS OTHERWISE SPECIFIED DIMENSIONS ARE IN INCHES AND THE FOLLOWING TOLERANCES APPLY (PER DEC STD 114)			
INCHES TOLERANCES	ANGLES 90°-30'	APPLICABLE DIMENSION RANGE	
		OVER 0 TO 0.2	OVER 0.2 TO 0.4
SURFACE QUALITY	MICROINCHES	DIMENSION RANGE IN INCHES	
		OVER 0 TO 0.2	OVER 0.2 TO 0.4
QUANTITY & VARIATION	THIRD ANGLE PROJECTION	DATE	TITLE
	DRY M. OUGGAN	13 DEC 82	CABLE, DC POWER BACKPLANE
	DES. ENG. D. MILLER	4 FEB 83	
	RESP. ENG. D. MILLER	4 FEB 83	
	DRY M. OUGGAN	4 FEB 83	
	WFO. ENG. M. LIVINGSTON	4 FEB 83	
FINISH NONE	TOP DOC.		
		SCALE NONE	SHEET 1 OF 1

DRAWING NO. 7020450-0-DBU C

LINE	ITEM	TOP DOCUMENT	PART NUMBER	MIN REV	DESCRIPTION	QTY PER VARIATION	
						01	02
					VARIATION REVISION LEVEL :	A1	
1	1		1216651-12		CONN,TOC 18SKT(1X18).156CC	2	2
2	2		1216650-03		CONN,IDC 18PCS STANDARD COVER	2	2
3	3		9107786-22		WIRE, 18AWG(19/30)IPVC 300V1	A/R	A/R
4	4		9107786-00		WIRE, 18AWG(19/30)IPVC 300V1	A/R	A/R
5	5		9107786-66		WIRE, 18AWG(19/30)IPVC 300V1	A/R	A/R
5	6		9107786-77		WIRE, 18AWG(19/30)IPVC 300V1	A/R	A/R
7	7		9107786-99		WIRE, 18AWG(19/30)IPVC 300V1	A/R	-
8	8		9107786-33		WIRE, 18AWG(19/30)IPVC 300V1	A/R	A/R
9	9		9107786-44		WIRE, 18AWG(19/30)IPVC 300V1	A/R	A/R
10	10		9007031-00		TIE,CABLE BUNDL.DIA 0- 3/4"=101	1	1
11	11		9009255-01		LABEL, POWER SUPPLY, 2-7/8" LG X	1	1

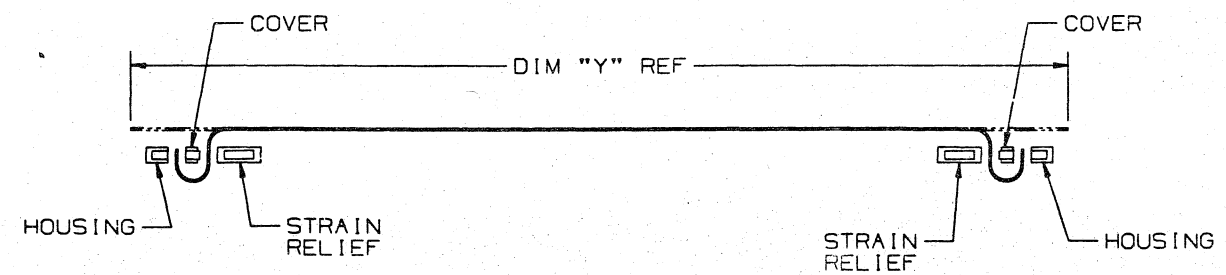
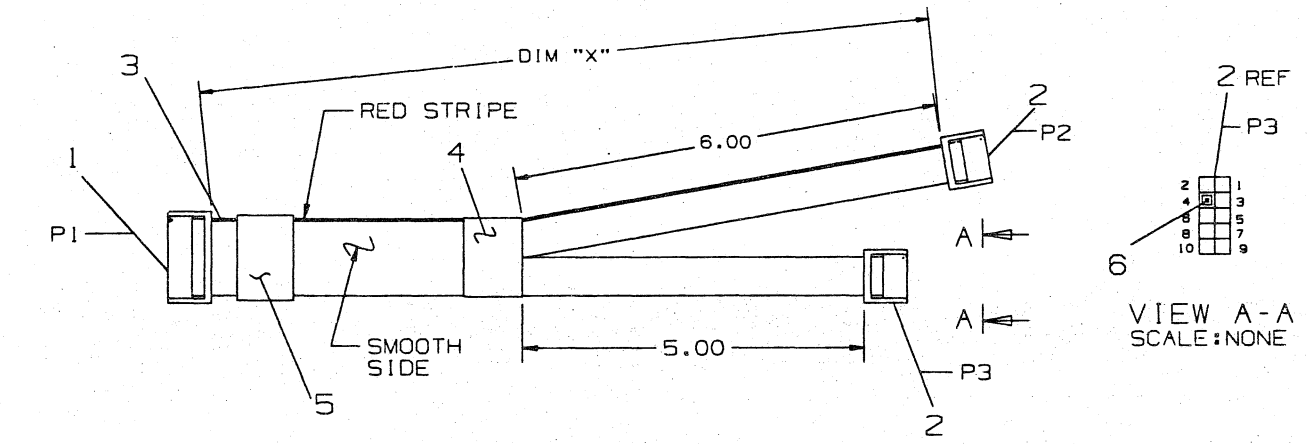
REVISION HISTORY			BASIC PART NO: 7020450		DRN:	M. DUGGAN	DATE:	16-DEC-82	D I G I T A L			
ENG	ECO NUMBER	REV	SECTION A OF A		CHK'D:	D. MILLER	DATE:	4-FEB-83	TITLE PARTS LIST			
---	INITIAL	A	SECTION VARIATION INDEX						CABLE, DC POWER BACKPLANE			
AD	7020450-ML001	B	[A]01,02		DES.ENG:	D. MILLER	DATE:	4-FEB-83	DOCUMENT NUMBER			
AD	7020450-ML002	C	[B]						SIZE	CODE	NUMBER	REV
			[C]		RESP.ENG.:	A. DELUCA	DATE:	4-FEB-83	K	PL	7020450-0-DBP	C
			[D]									
			[E]		MFG.ENG.:	M. LIVINGSTON	DATE:	4-FEB-83	RELEASE DATE: 27-APR-84			
			[F]		ASSEMBLY NUMBER:		TOP DOCUMENT NUMBER:		FILE NAME:	EDIT #		
					D-IA-7020450-0-DBU				Z6199C.PLS	3		

"THIS DRAWING AND THE SPECIFICATIONS CONTAINED HEREIN ARE CONFIDENTIAL AND PROPRIETARY. THEY ARE THE PROPERTY OF DIGITAL EQUIPMENT CORPORATION AND SHALL NOT BE REPRODUCED OR COPIED OR USED IN WHOLE OR IN PART AS THE BASIS FOR THE MANUFACTURE OR SALE OF ITEMS WITHOUT WRITTEN PERMISSION. THIS IS AN UNPUBLISHED WORK PROTECTED UNDER THE FEDERAL COPYRIGHT LAWS."

*THIS DRAWING AND SPECIFICATIONS, HEREIN, ARE THE PROPERTY OF DIGITAL EQUIPMENT CORPORATION AND SHALL NOT BE REPRODUCED OR COPIED OR USED IN WHOLE OR IN PART AS THE BASIS FOR THE MANUFACTURE OR SALE OF ITEMS WITHOUT WRITTEN PERMISSION.
 COPYRIGHT © 1984 DIGITAL EQUIPMENT CORPORATION

ITEM NO.	DESCRIPTION		FROM		TO		REMARKS
	AWG	COLOR	CONN	WITH	CONN	WITH	
30	---		P1-1	1	P2-1	2	
30	---		P1-2	1	P2-2	2	
30	---		P1-3	1	P2-3	2	
30	---		P1-4	1	P2-4	2	
30	---		P1-5	1	P2-5	2	
30	---		P1-6	1	P2-6	2	
30	---		P1-7	1	P2-7	2	
30	---		P1-8	1	P2-8	2	
30	---		P1-9	1	P2-9	2	
30	---		P1-10	1	P2-10	2	
30	---		P1-11	1	P3-1	2	
30	---		P1-12	1	P3-2	2	
30	---		P1-13	1	P3-3	2	
30	---		P1-14	1	P3-4	2	
30	---		P1-15	1	P3-5	2	
30	---		P1-16	1	P3-6	2	
30	---		P1-17	1	P3-7	2	
30	---		P1-18	1	P3-8	2	
30	---		P1-19	1	P3-9	2	
30	---		P1-20	1	P3-10	2	

LEGEND		
NUMBER	DIM X VARIATION	DIM Y (PRECUT)
7020451-1C	1 FT-3 IN ±.25 IN	1 FT-4 IN ±.25 IN



REV.	CHG.	NO.	DATE	BY
A				
B				

DESCRIPTION	DRAWING NO.	PART NO.	ITEM NO.
UNLESS OTHERWISE SPECIFIED DIMENSIONS ARE IN INCHES AND THE FOLLOWING TOLERANCES APPLY (PER DEC STD 114)			
INCHES TOLERANCES	DIMENSION RANGE IN INCHES		
	OVER 0 TO 0.2	OVER 0.2 TO 1.2	OVER 1.2 TO 30.0
ANGLES 90°-30°	SURFACE QUALITY		
APPLICABLE DIMENSION RANGE	MATERIAL		
QUANTITY & VARIATION	DATE		
THIRD ANGLE PROJECTION	TITLE		
DO NOT SCALE DRAWING	DRAWN BY		
REMOVE BURRS AND BREAK SHARP CORNERS	DATE		
MATERIAL SEE PARTS LIST	DES. ENG.		
FIN. TO NONE	DATE		
	TOP DOC.		

CAUTION: OFF SHEET PARTS LIST EXISTS REFER TO K-PL-7020451-0-DBP

DRAWING NO. 7020451-0-DBU

digital
 CABLE, FRONT PANEL TO BACK PLANE
 DOCUMENT NUMBER
 D 1A 7020451-0-DBU B
 SCALE NONE SHEET 1 OF 1

LINE	ITEM	TOP DOCUMENT	PART NUMBER	MIN REV	DESCRIPTION	QTY PER VARIATION
1	1		1211206-03		CONN, IDC 20SKT(2X10).100CC GOL	1
2	2		1211206-02		CONN, IDC 10SKT(2X05).100CC GOL	2
3	3		9107747-00		CABLE, RIBBON BOND 20COND 30AWG	A/R
4	4		9009507-00		TAPE, VINYL ADH .75 WDX .00	A/R
5	5		9009255-01		LABEL, POWER SUPPLY, 2-7/8" LG X	1
6	6		1216967-00		CARD EDGE PLUG, POLARIZING PLAST	1

VARIATION REVISION LEVEL:

REVISION HISTORY			BASIC PART NO: 7020451								
ENG:	ECO NUMBER	REV	SECTION A OF A	DRN:	M. DUGGAN	DATE:	17-DEC-82	D I G I T A L			
---	INITIAL	A	SECTION VARIATION INDEX	CHK'D:	D. MILLER	DATE:	4-FEB-83	TITLE PARTS LIST			
DM	7020451-MLO01	B	[A]1C					CABLE, FRONT PANEL TO BACKPLANE			
			[B]	DES. ENG:	D. MILLER	DATE:	4-FEB-83	DOCUMENT NUMBER			
			[C]					SIZE	CODE	NUMBER	REV
			[D]	RESP. ENG.:	A. DELUCA	DATE:	4-FEB-83	K	PL	7020451-0-DBP	B
			[E]	MFG. ENG.:	M. LIVINGSTON	DATE:	4-FEB-83	RELEASE DATE: 22-FEB-84			
			[F]	ASSEMBLY NUMBER:	D-IA-7020451-0-DBU	TOP DOCUMENT NUMBER:		FILE NAME:	Z6200B.PLS	EDIT #:	12

"THIS DRAWING AND THE SPECIFICATIONS CONTAINED HEREIN ARE CONFIDENTIAL AND PROPRIETARY. THEY ARE THE PROPERTY OF DIGITAL EQUIPMENT CORPORATION AND SHALL NOT BE REPRODUCED OR COPIED OR USED IN WHOLE OR IN PART AS THE BASIS FOR THE MANUFACTURE OR SALE OF ITEMS WITHOUT WRITTEN PERMISSION. THIS IS AN UNPUBLISHED WORK PROTECTED UNDER THE FEDERAL COPYRIGHT LAWS."

8 7 6 5 4 3 2 1

THIS DRAWING AND SPECIFICATIONS HEREIN ARE THE PROPERTY OF DIGITAL EQUIPMENT CORPORATION AND SHALL NOT BE REPRODUCED OR COPIED OR USED IN WHOLE OR IN PART AS THE BASIS FOR THE MANUFACTURE OR SALE OF ITEMS WITHOUT WRITTEN PERMISSION. COPYRIGHT © 1976 DIGITAL EQUIPMENT CORPORATION.

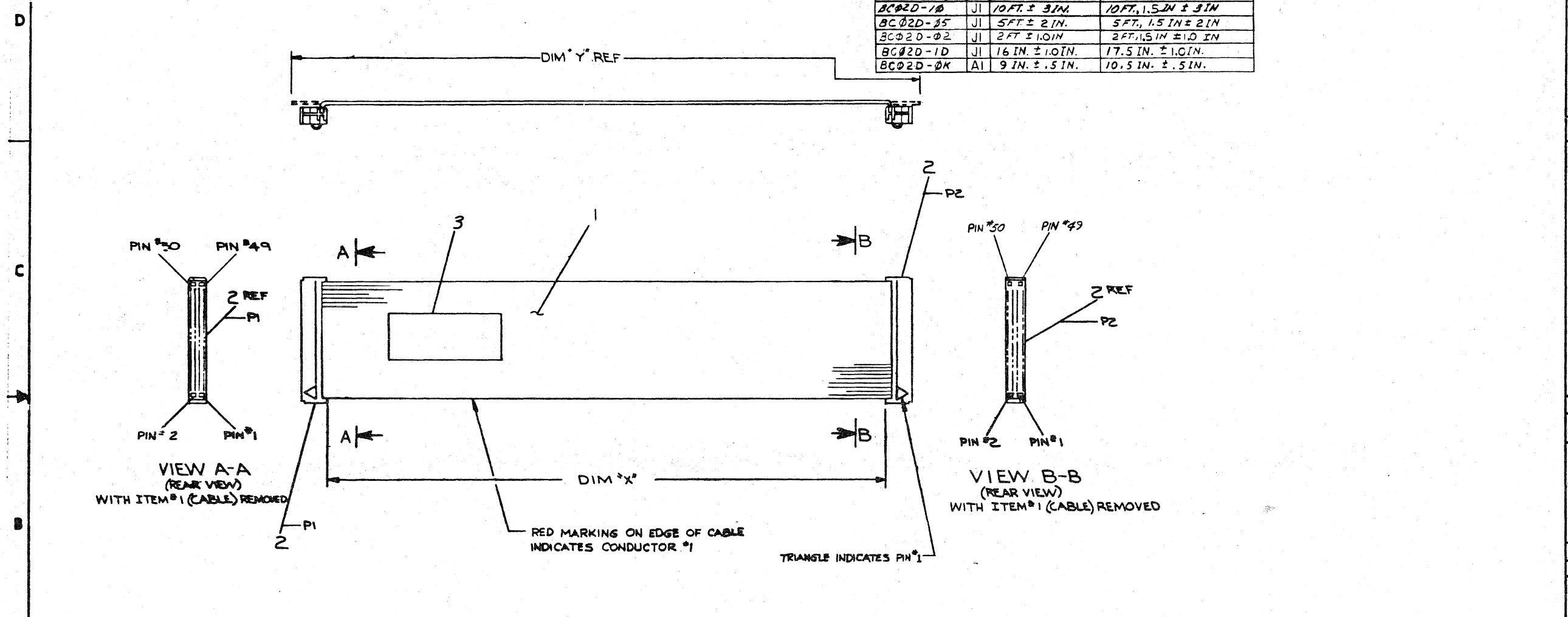
LEGEND, CONT.

NUMBER	QTY	DIM X VARIATION	DIM Y PRECUT (REF)
BC20D-04	A1	4 FT ± 1 IN.	4 FT 1.5 IN. ± 1 IN.

LEGEND

NUMBER	QTY	DIM X VARIATION	DIM Y PRECUT (REF)
BC20D-01	J1	12 IN. ± 1.0 IN.	13.5 IN. ± 1.0 IN.
BC20D-13	J1	14 IN. ± 1.0 IN.	15.5 IN. ± 1.0 IN.
BC20D-0F	J1	6 IN. ± .5 IN.	7.5 IN. ± .5 IN.
BC20D-03	J1	3 FT. ± 1 IN.	3 FT. 1.5 IN. ± 1 IN.
BC20D-10	J1	10 FT. ± 3 IN.	10 FT. 1.5 IN. ± 3 IN.
BC20D-05	J1	5 FT. ± 2 IN.	5 FT. 1.5 IN. ± 2 IN.
BC20D-02	J1	2 FT. ± 1.0 IN.	2 FT. 1.5 IN. ± 1.0 IN.
BC20D-1D	J1	16 IN. ± 1.0 IN.	17.5 IN. ± 1.0 IN.
BC20D-0K	A1	9 IN. ± .5 IN.	10.5 IN. ± .5 IN.

NOTES:
 1. CONNECTORS P1 AND P2 ARE TO BE WIRED POINT-TO-POINT (P1-1 TO P2-1, P1-2 TO P2-2, ETC.).



CAUTION: OFF SHEET PARTS LIST EXISTS. REFER TO K-PL-BC20D-0-DBR.

REV.	DESCRIPTION	DATE
1	ISSUED FOR MANUFACTURE	20-NOV-77
2	REVISION	20-NOV-77
3	REVISION	20-NOV-77
4	REVISION	20-NOV-77
5	REVISION	20-NOV-77
6	REVISION	20-NOV-77
7	REVISION	20-NOV-77
8	REVISION	20-NOV-77

QUANTITY & VARIATION	DESCRIPTION	DWG. PART NO.	ITEM NO.
1	50 CONDUCTOR SIGNAL CABLE (BC20D)	BC20D-0-0	K

THIRD ANGLE PROJECTION	REMOVE BURRS AND BREAK SHARP CORNERS	DO NOT SCALE DWG	MATERIAL SEE PARTS LIST	FINISH
DRN. M. CHOMIERE	CHK'D M. CHOMIERE	ENG. M. CHOMIERE	PROJ. ENGINEER	PROD. R. ALLEN

UNLESS OTHERWISE SPECIFIED DIMENSIONS ARE IN INCHES	CLASS OF ACCURACY	NOMINAL DIMENSION RANGE INCHES
ANGLES 90° 30'	OVER 0.2	0.25 TO 1.25
SURFACE QUALITY	CHECK ONE	1.25 TO 12.5
IN	MEDIUM	12.5 TO 60.0
MICROMETRES	PREFERRED	60.0 TO 250.0

DRN. M. CHOMIERE	CHK'D M. CHOMIERE	ENG. M. CHOMIERE	PROJ. ENGINEER	PROD. R. ALLEN
DATE	DATE	DATE	DATE	DATE

TITLE	50 CONDUCTOR SIGNAL CABLE (BC20D)
SIZE	D-1A-FPPS-A-0
SCALE	NONE
SHEET	2 OF 1

8 7 6 5 4 3 2 1 TW

AUTOMATED BY PRTLST.3P(44)

P A R T S L I S T

SHEET A1 OF A1

LINE	ITEM	TOP DOCUMENT	PART NUMBER	MIN REV DESCRIPTION	QTY PER VARIATION										
					01	1B	0F	03	10	05	02	1D	0K	04	
					VARIATION REVISION LEVEL:										
					J1	J1	J1	J1	J1	J1	J1	J1	J1	A1	A1
1	1	SEE NOTE	9107747-04	CABLE,RIBBON BOND 50COND 30AWG	14	16	8	38	122	62	26	18	11	50	
2	2		1211664-00	CONN,IDC 50POS(1X25).100CC GOL	2	2	2	2	2	2	2	2	2	2	
3	3		3616073-00	LABEL,ID W/COPY VERTICAL	1	1	1	1	1	1	1	1	1	1	

4 NOTE: QUANTITY OF ITEMS 1 IS GIVEN IN INCHES

REVISION HISTORY			BASIC PART NO: BC02D	DRN: M. CHOINERE	DATE: 6-JAN-76	D I G I T A L			
ENG!	ECO NUMBER	REV	SECTION A OF A	CHK'D: W. KERCHNER	DATE: 9-APR-76	TITLE PARTS LIST			
HC	FPP8-A-ML003	D	SECTION VARIATION INDEX	DES.ENG: W. KERCHNER <td>DATE: 9-APR-76 <td colspan="4">50 COND. SIGNAL (BC02D)</td> </td>	DATE: 9-APR-76 <td colspan="4">50 COND. SIGNAL (BC02D)</td>	50 COND. SIGNAL (BC02D)			
DG	BC02D-ML004	E	[A]01,1B,0F,03,10,05,	RESP.ENG.: W. KERCHNER <td>DATE: 9-APR-76 <td colspan="4">DOCUMENT NUMBER</td> </td>	DATE: 9-APR-76 <td colspan="4">DOCUMENT NUMBER</td>	DOCUMENT NUMBER			
AB	BC02D-ML005	F	02,1D,0K,04	MFG.ENG.: R. ALLEN <td>DATE: 28-APR-76 <td>SIZE</td> <td>CODE</td> <td>NUMBER</td> <td>REV</td> </td>	DATE: 28-APR-76 <td>SIZE</td> <td>CODE</td> <td>NUMBER</td> <td>REV</td>	SIZE	CODE	NUMBER	REV
RM	BC02D-ML006	H	[B]	ASSEMBLY NUMBER:	TOP DOCUMENT NUMBER:	K	PL	BC02D-0-DBP	K
WK	BC02D-ML007	J	[C]	D-IA-BC02D-0-0	D-UA-FPP8-A-0	RELEASE DATE:		10-SEP-85	
ER	BC02D-TW008	K	[D]			FILE NAME:		EDIT #	
			[E]			Z3423K.PLS		3	
			[F]						

"THIS DRAWING AND THE SPECIFICATIONS CONTAINED HEREIN ARE CONFIDENTIAL AND PROPRIETARY. THEY ARE THE PROPERTY OF DIGITAL EQUIPMENT CORPORATION AND SHALL NOT BE REPRODUCED OR COPIED OR USED IN WHOLE OR IN PART AS THE BASIS FOR THE MANUFACTURE OR SALE OF ITEMS WITHOUT WRITTEN PERMISSION. THIS IS AN UNPUBLISHED WORK PROTECTED UNDER THE FEDERAL COPYRIGHT LAWS."

