

SERVICE MANUAL

CRT Data Display TTL Series

5-017-1017

Oct. 27, 1976

Revision B

BALL BROTHERS RESEARCH CORPORATION

ELECTRONIC DISPLAY DIVISION

P.O. BOX 3376 • ST. PAUL, MINNESOTA 55165 • TELEPHONE: (612) 786-8900 • TWX: 910-563-3552



TABLE OF CONTENTS

Section		Page
1	GENERAL INFORMATION	1-1
	1.1 Monitor Description	1-1
	1.2 Electrical Specifications	1-1
	1.3 Environmental Specifications	1-3
	1.4 Human Factors Specifications	1-3
	1.5 Controls	1-3
2	OPERATING PROCEDURES	2-1
	2.1 Installation	2-1
	2.2 Grounding Techniques	2-1
	2.3 Video Lead Routing	2-1
	2.4 Initial Turn-On Procedure	2-2
3	THEORY OF OPERATION	3-1
	3.1 Video Amplifier	3-1
	3.2 Vertical Deflection Amplifier	3-1
	3.3 Horizontal Deflection	3-3
	3.4 Low Voltage Regulated Supply	3-6
4	PRELIMINARY ADJUSTMENTS	4-1
	4.1 Synchronization and Drive Signals	4-1
	4.2 Low Voltage Supply	4-1
	4.3 Brightness	4-1
	4.4 Video Contrast	4-1
	4.5 Vertical Adjustments	4-1
	4.6 Horizontal Adjustments	4-2
	4.7 Focus Adjustment	4-2
	4.8 Centering	4-2
5	TROUBLESHOOTING AND MAINTENANCE	5-1
	5.1 Isolation of Circuit Faults	5-1
	5.2 Typical Waveforms and Voltages	5-4
6	TTL PARTS LIST	6-1
7	ORDERING AND RETURNING PARTS	7-1
	7.1 Ordering Parts	7-1
	7.2 Returning Parts	7-1
Figure	ILLUSTRATIONS	Page
1-1	Synchronization and Blanking Generator Waveforms	1-4
3-1	Voltage Waveforms TTL Block Diagram	3-2
5-1	Circuit Board Components Location And Interconnecting Cabling Diagram	5-3



Section 1
GENERAL INFORMATION

1.1 MONITOR DESCRIPTION

The TTL series Data Display monitor is a solid-state unit for use in industrial or commercial installations where reliable, high quality video reproduction of white alpha-numeric on a black raster.

The monitor features printed circuit board construction for reliability and uniformity. All circuits of the TTL monitor are transistorized. The synchronization circuits have been custom designed to accept video as well as vertical and horizontal drive signals to enable interfacing of this monitor with industrial or digital TTL sources. This feature simplifies the user's sync processing and mixing and allows the unit to operate without composite sync. The electronic packaging has been miniaturized for compatibility with small volume requirements.

1.2 ELECTRICAL SPECIFICATIONS

Input Data Specifications

	Video	Vertical Drive Signal	Horizontal Drive Signal
Input Connector	(Necessary Accessory-Available) Printed circuit board card edge connector- Viking #2VK10S/1-2 or Amphenol #225-21031-101		
Pulse Rate or Width	Pulse Width: 45 nsec or greater	Pulse Rate: 47 to 63 pulses/ sec	Pulse Rate: 15,000 to 16,500 pulses/sec
Amplitude	Low = Zero $+0.4$ -0.0 volts; High = $+4 \pm 1.5$ volts		
Signal Rise & Fall Times (10% to 90% amplitude)	Less than 20 nsec	Less than 100 nsec	Less than 50 nsec
Input Signal Format	See Figure 1		

Data Display Specifications

Input Impedance

	Minimum Shunt Resistance	Maximum Shunt Resistance
(a) Video Input:	3.3K ohms	40pF
(b) Vertical Drive Input:	3.3K ohms	40pF
(c) Horizontal Drive Input:	3.3k ohms	40pF



Video Amplifier

- (a) Bandwidth: 15 MHz (-3 dB)
- (b) Rise and Fall Times
(10% to 90% amplitude): Less than 35 nsec. (linear mode)
- (c) Storage Time: 15 nsec, maximum (linear mode)

Retrace and Delay Times

- (a) Vertical: 900 usec retrace, maximum
- (b) Horizontal: 9 usec retrace, maximum

Display Specifications

Cathode Ray Tube: (without bonded panel)

Nominal Diagonal Measurement (inches)	Phosphor	*Resolution (TV Lines)	
		Center	Corner
15	P4	1000 at 40 fL	800 at 40 fL
	P39	1000 at 20 fL	800 at 20 fL

*Resolution is measured in accordance with EIA RS-375 except Burst Modulation (or Depth of Modulation) is adjusted for 100 percent.

Geometric Distortion

Geometric Distortion as measured using an "EIA Linearity Chart" in accordance with EIA RS-375 shall be equal to or less than 1.5 percent of the active raster height.

Power Requirements

Power Specifications:

Input Connector	Receptacle, Molex #03-06-2041 Supplied with Unit Mating Plug, Molex #03-06-1041-Necessary Accessory (Available)
Input Voltage	105V to 130V rms (120V nominal); 50/60hz
Input Power	40W (nominal) for 525/60 models.
Output Voltages	+55 VDC (short circuit protected) +17 kVDC; 6.3V rms



1.3 ENVIRONMENTAL SPECIFICATIONS

Temperature (Chassis or Custom Unit)

Operating Range: 5°C to 55°C Ambient
Storage Range: -40°C to 65°C

Humidity

5 to 80 percent (Noncondensing)

Altitude

Operating Range: Up to 10,000 feet

1.4 HUMAN FACTORS SPECIFICATIONS

X-Ray Radiation

These units comply with DHEW title 21, Subchapter J.

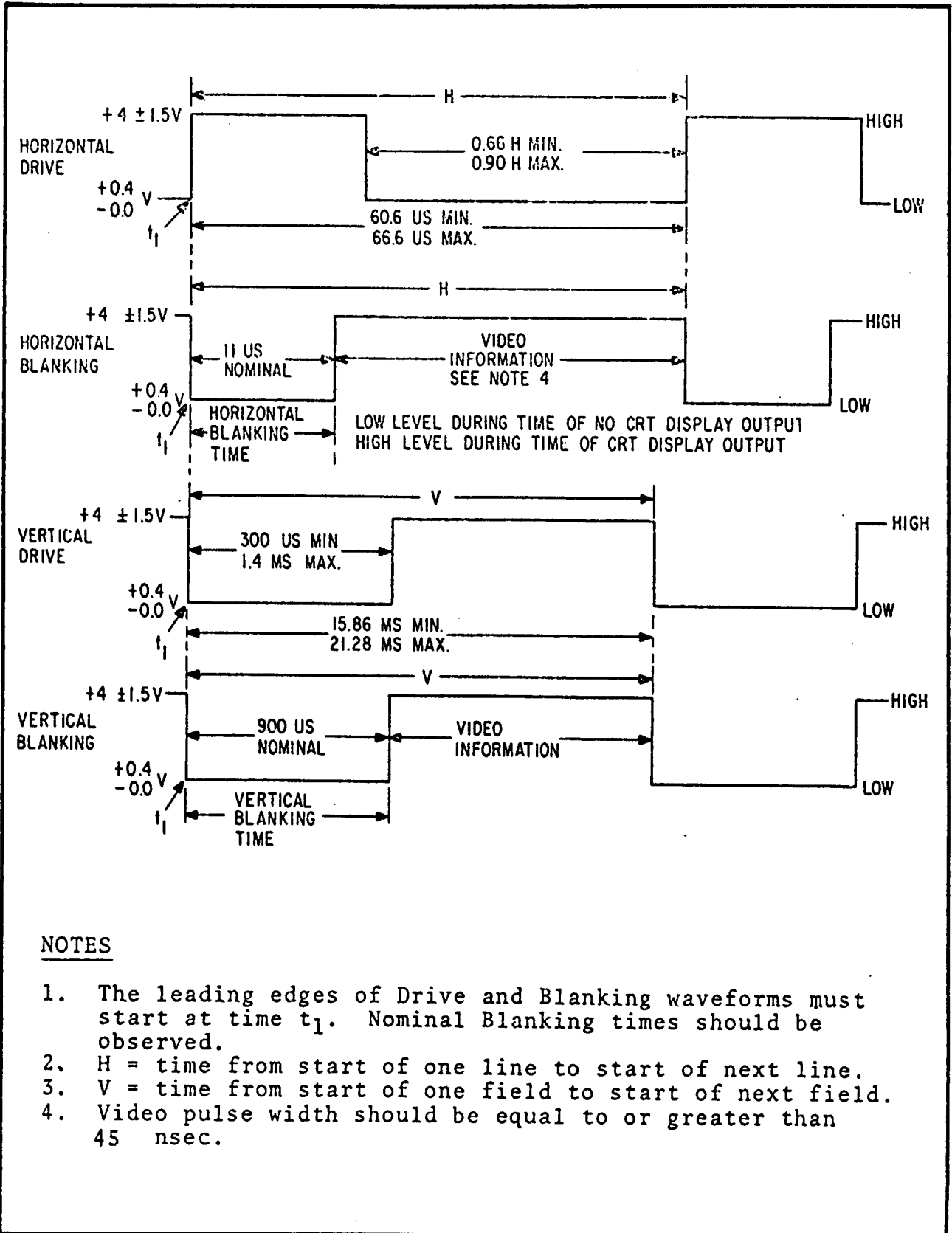
1.5 CONTROLS

Customer Access - Necessary Accessories (Available)

- (1) Contrast, 500 ohm potentiometer carbon composition
≥1/8 Watt
- (2) Brightness, 100 kilohm potentiometer ≥1/8 Watt
Optional: The Brightness Control can be mounted
on the printed circuit board as an internal
set up control.

Internal Set Up Controls

- (1) Height
- (2) Vertical Linearity
- (3) Vertical Hold
- (4) Focus
- (5) Width
- (6) Low Voltage Adjust
- (7) Horizontal Centering
- (8) Video Gain Adjust



NOTES

1. The leading edges of Drive and Blanking waveforms must start at time t_1 . Nominal Blanking times should be observed.
2. H = time from start of one line to start of next line.
3. V = time from start of one field to start of next field.
4. Video pulse width should be equal to or greater than 45 nsec.

Fig. 1 Synchronization and Blanking Generator Waveforms for the TTL Series Data Display Series.



Section 2 OPERATING PROCEDURES

2.1 INSTALLATION

Power for the TTL monitor is supplied by a self-contained power supply. 120V AC is applied to the unit via a 4 pin molex connector.

The video and synchronization signals are fed to their appropriate connections as indicated on the schematic.

Mount the monitor so that the air flow around the unit is not blocked and the ambient temperature surrounding it does not exceed 55°C.

2.2 GROUNDING TECHNIQUES

The method of interconnecting and grounding the equipment is a function of the signal frequency; any optimum grounding depends largely on the system in which the equipment is used.

The following grounding technique is recommended when installing a TTL Data Display Monitor.

The vertical/video, horizontal drive, vertical drive, and CRT arc bypass are all returned to the chassis plate ground. Normally, it is assumed that the frame and chassis plate of the monitor will be installed in a system where they will be an integral part of system ground. If this is true, then further grounding should not be necessary. However, the mating of the monitor's frame with the system or the generator's signal source ground must be electrically good. Good electrical metal-to-metal contact must be assured.

Where strong radiated noise and signal fields inhibit the monitor's operation or where a signal's waveform is deteriorated by long or poorly selected cabling, careful attention must be given to proper grounding of the outer conductor. Improper grounding can cause annoying ground loops and in some cases cause transistor failures.

The TTL monitor has provisions at the printed circuit board card edge connector to pick up a ground return for the vertical/video, horizontal drive, and vertical drive circuits if a separate return wire is required.

2.3 VIDEO LEAD ROUTING

The video lead probably will carry frequency signals and should be given the following considerations:

- A. To minimize distributed capacity and capacitive pickup of nearby radiated fields, route the video leads separately and away from all other wiring.
- B. Make the lead length as short as possible, consistent with the packaging requirements.



- C. Ideally, the video line should meet the requirements of a terminated coaxial system; i.e., the video line should exhibit a constant impedance from source to load. An effective method of testing the video line is:
- a. Establish a configuration and keep the foregoing requirements in mind.
 - b. Drive the source end of the video line with the output of TTL logic or an equivalent pulse generator capable of providing pulses with rise and fall times of typically 10 nanoseconds and pulse widths of approximately 100 nanoseconds. Any convenient duty cycle and repetition rate may be used. The generator should be capable of supplying +2.5 volt pulse into a shunt impedance of 3.3k ohms (resistive) and 40 pF (capacitive).
 - c. Observe the pulse at the receiving end of the video line with a low capacitance (less than 5 pF) oscilloscope probe. Adjust the routing and termination of the video line to maintain rise and fall times of 20 nanoseconds or less and overshoots within 10 percent of the pulse amplitude.

2.4 INITIAL TURN-ON PROCEDURE

Connect the video and synchronization signals to the monitor. Apply AC power to the monitor. Adjust the brightness and contrast controls for desired effect and stabilize the picture with the vertical and horizontal hold controls.



Section 3

THEORY OF OPERATION

3.1 VIDEO AMPLIFIER

The incoming video signal of 4V P-P (typical) is applied to the monitor via pin 8. The video signal is applied through R115 to the base of Q103. Transistors Q103 and Q104 form the video amplifier stage for the monitor. Refer to figure 3-1 and schematic at rear of manual.

Transistor Q103 and its components comprise the video inverter amplifier with an adjustable gain of 12 to 25. Q103 operates as a class B amplifier. It remains cutoff until a positive going signal arrives at the base and turns Q103 on. R118 and R119 provide series feedback which makes the voltage gain relatively independent of transistor variations and stabilizes it against voltage and current changes caused by ambient temperature variations.

The negative going signal at the collector of Q103 is direct coupled to the base of Q104, an emitter follower output driver that provides a low source impedance for driving the cathode of the CRT. The class B biasing of Q104 allows more than adequate video output signal to modulate the CRT's cathode and results in a maximum available contrast ratio. Typically about 25V P-P video is required for optimum contrast.

The over-all brightness of the CRT is determined by the negative voltage at the grid and is varied by the brightness control. Normal adjustment range of CRT grid voltage is from +10 to -100VDC.

3.2 VERTICAL DEFLECTION AMPLIFIER

Transistor Q101 is a programmable unijunction transistor and with its external circuitry, forms a relaxation oscillator operating at the vertical rate. The sawtooth forming network consists of R106, R107, R108, C103 and C104. These capacitors charge exponentially until the voltage at the anode of Q101 exceeds its gate voltage at which time Q101 becomes essentially a closed switch allowing a rapid discharge through L101. The oscillator is synchronized by a negative pulse applied to its gate from pin 9.

A divider network consisting of R102, R103 and R104 sets the free running frequency by establishing an adjustable reference voltage at the gate. This feature programs the firing of Q101 and amounts to resistive selection of the intrinsic standoff ratio of the unijunction. The frequency is thus controlled by external elements only; it does not depend on this parameter of the unijunction. CR101 and CR102 provide temperature compensation. L101 forms a tuned circuit with C103 and C104 during conduction of Q101 that provides a stable control on the drop out time of Q101.

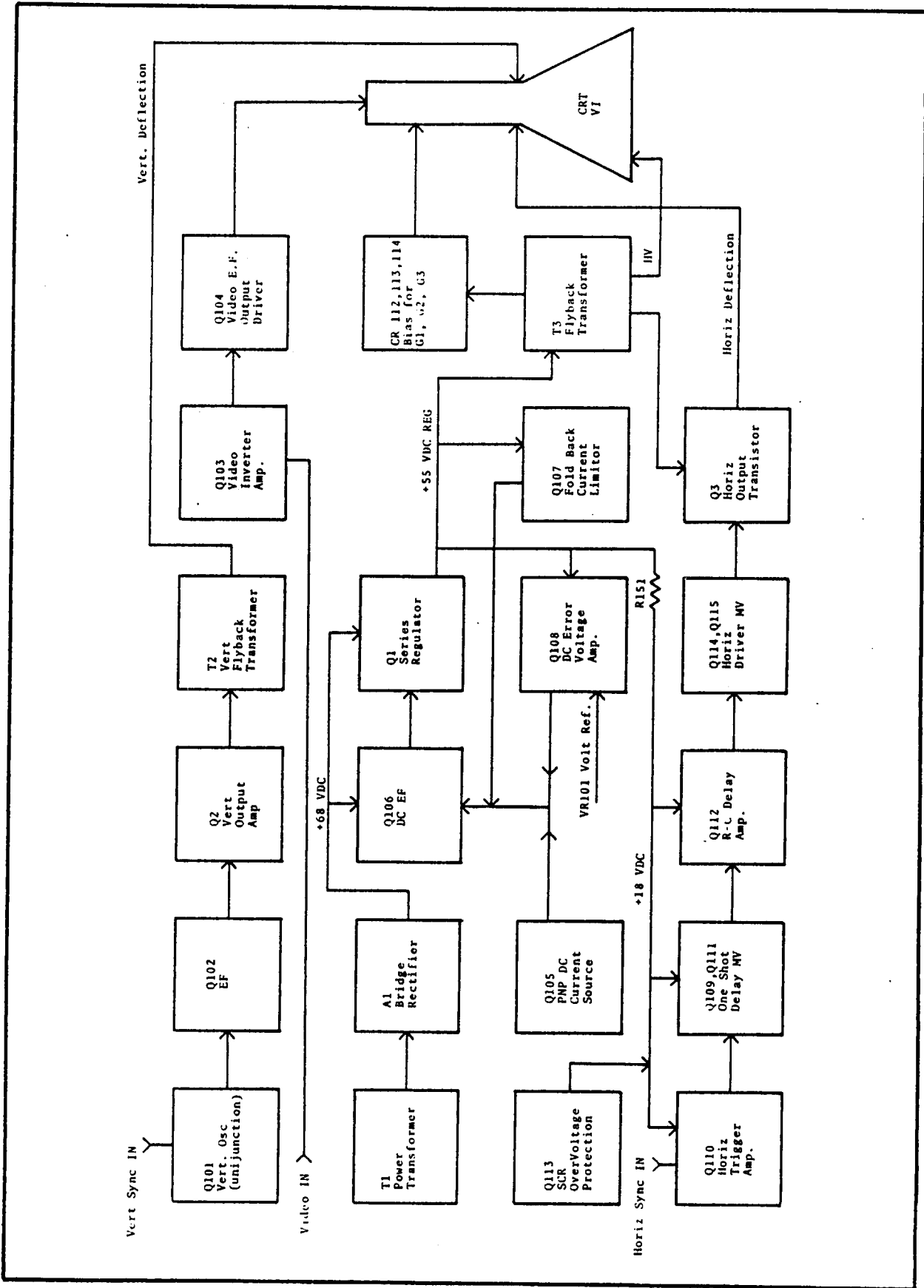


Fig. 3-1 TTL Block Diagram



The sawtooth at the anode of Q101 is directly coupled to the base of Q102. This stage functions as a darlington pair emitter follower driver for the output stage Q2. It presents an extremely high impedance in shunt with R108 and prevents the beta dependent input impedance of Q2 from affecting the frequency of the sawtooth forming network.

Linearity control of the sawtooth is accomplished by coupling the output at Q102 emitter resistively back into the junction of C103 and C104. R110, R109 and C104 integrates the sawtooth and inserts a parabolic component. The slope change rate of the sawtooth at Q102 output is controlled by the setting of R109.

Height control R107 varies the amplitude of the sawtooth voltage developed by controlling the effective B+ applied to R108 and therefore controls the vertical raster size on the CRT.

The vertical output amplifier Q1 uses a power type transistor operating as a class B amplifier. The output is transformer coupled to provide a proper impedance match with the yoke. CR103, R113 and C107 form a clamp circuit which limits the collector voltage at Q2 to safe levels during retrace. R121 prevents oscillations by providing damping across the vertical deflection coils.

3.3 HORIZONTAL DEFLECTION CIRCUITS

The horizontal sync pulse must be delayed almost a full line to provide the proper timing to drive the horizontal output amplifier. Two circuits are used to create this delay: 1) a one-shot delay multivibrator Q109/Q111 and 2) the R-C delay amplifier Q112. The delayed pulse from Q112 is used to trigger the driver multivibrator (MV) Q114/Q115 at the line rate. This MV does not create any significant delay but does establish the proper time duration of approximately one-half line and the output polarity to drive the horizontal output amplifier.

The horizontal sync input signal is applied to pin 6 of the circuit card. This signal is differentiated and the positive edge of the signal is used to trigger Q110. The negative pulse at the collector of Q110 will trigger the one-shot Q109/Q111. After one half line the MV recovers and returns to its original state. The Q109 output signal is applied to Q112 through C117. This causes Q112 to generate a 15 Volt pulse at its collector. After one-third line duration, capacitor C117 discharges through CR108, R144 and R143 and terminates the output signal at Q112. The trailing edge of Q112 output signal is differentiated by C121 and is used to trigger Q114/Q115.

Q114 and Q115 are used as a one-shot driver MV. The normal state of the MV is with Q114 at saturation and Q115 at cut off. A negative going differentiated pulse from Q112 is applied to Q114. This drives Q114 to cut off, and Q115 into saturation. Q114 is held at cutoff by the feedback circuit consisting of R157, R156, C122 and CR109. After approximately one-half line duration, capacitor C122



discharges through R152 and drives Q114 into saturation. Q115 is driven to cutoff and results in a 100 Volt pulse at its collector with an additional 100V transient at the leading edge. This signal is clipped and limited to approximately 55V by R157 and CR110. It is further attenuated to 25V amplitude by resistor divider network R156 and R155. Q115 output signal is also coupled through C122 to initiate regeneration and hold Q114 in conduction until the next trigger pulse arrives.

During conduction of the driver transistor Q115 energy is stored in the coupling transformer. The voltage at the secondary is also negative so that Q3 is held at cut off. When the primary current of T101 is interrupted due to collector cutoff of Q115 the secondary voltage reverses polarity. Q3 goes into conduction due to the positive signal at its base. The collector current of Q3 will slowly increase in a sawtooth pattern during the remaining period of the TV line scan. Typically the peak sawtooth current through Q3 will be two to three amps depending upon line rate and length of TV line scan.

The horizontal output stage has three main functions: to supply the yoke with the correct horizontal scanning currents; develop 17kV for the CRT anode and to develop +800V and -100V for the CRT supply voltages.

Horizontal output transistor Q3 acts as a switch which is turned on and off by the rectangular waveform on the base. When Q3 is turned on, the supply voltage plus the charge on the C135 causes yoke current to increase in a linear manner and moves the beam from near the center of the screen to the right side. At this instant, the transistor is turned off by a negative voltage on its base which causes the output circuit to complete one half cycle of sine wave oscillation. A positive flyback voltage pulse of several microseconds duration and several hundred volts amplitude in the form of a half cycle sine wave pulse is developed by the combined inductance of the yoke, T3 and C127. The peak magnetic energy which was stored in the yoke during scan time is then transferred to C127 and the yoke's distributed capacity. During this cycle, the beam is returned to the center of the screen.

C127 and the distributed capacity now discharge into the yoke and induce a current in a direction opposite to the current of the previous part of the cycle. The magnetic field thus created around the yoke moves the beam to the left of the screen.

After one half cycle, the voltage across C127 swings below ground potential and biases the damper diode CR116 into conduction and prevents the flyback pulse from oscillating. The magnetic energy that was stored in the yoke from the discharge of the distributed capacity and C127 is released to provide sweep for the first half of the scan and to charge C135 through the rectifying action of the damper diode. The beam is then at the center of the screen. The cycle will recur when the base voltage of Q3 is driven positive again.



C135 also serves to block DC currents through the yoke and provide "S" shaping of the current waveform. "S" shaping compensates for stretching at the left and right sides of the CRT. The width sleeve inserted between the yoke and CRT also provides partial linearity correction at the beginning of the horizontal scan.

L104 is an adjustable width control placed in series with the horizontal deflection coils. This variable inductor allows a greater or lesser amount of the deflection current to flow through the horizontal yoke and varies the width of the horizontal scan.

The positive flyback pulse developed during the horizontal retrace time is rectified by CR114 and filtered by C125. This produces approximately 600 volts and is coupled through the focus control R167 to G3 of the CRT. CR112, CR113, C123 and C124 comprise a voltage doubler which delivers approximately 1000 volts to a divider network of R163 and R170. This divider provides approximately 800 volts for G2 of the CRT. This same pulse is transformer-coupled to the secondary of transformer T2 where it is rectified by CR1 and CR115 to produce rectified voltages of approximately 17kV and -100 volts. The 17kV is the anode voltage for the CRT. The -100 volts serves as the source voltage for the brightness control R165 or an external brightness control.

The collector voltage for Q109, Q110, Q111 and Q112 is obtained by dropping the +55 volt supply down to approximately +20 volts by the use of the series dropping resistor R151. The use of a separate lower supply bus provides a means of automatic shut down in the event of an over voltage condition which might generate X-rays and protection of random drive pulses to the horizontal output transistor during "turn on" or "turn off" of the monitor.

Protection against X-rays due to over voltage operation of the line or DC regulator circuits is provided by Q113, VR102 and associated components. In the event the +55 VDC regulator circuit should fail and the output voltage exceed approximately 60 volts, the voltage developed by resistor divider network R147, R148 and R149 will increase also. This increased voltage will cause current conduction through VR102 and R150. The voltage developed across R150 will cause Q113 to fire so that the heavy current will flow from anode to cathode to discharge capacitor C118 and drop the entire supply voltage across R151. This will disable the low level MV's and consequently disable the horizontal output stage and the associated high voltage supply.

This separate supply bus also provides protection against random drive pulses to the horizontal output transistor during "turn on" or "turn off". Normally several AC cycles are required after "turn on" to bring the +55 VDC bus up to normal. By virtue of the component values selected for Q109, Q111 and series dropping resistor R151, Q109 and Q111 would not trigger until the regulator voltage exceeds approximately +30 volts. This DC supply is adequate to provide stable operation of the horizontal circuit and base drive to the horizontal output amplifier so that random drive pulses and poor



collector saturation of Q3 are avoided.

During "turn off" this separate supply bus also offers some degree of protection against CRT spot burn. After AC power is turned off power supply filter capacitor C3 is rapidly discharged by the load current so that the +55 VDC regulator output decays rapidly to 30 volts. Below this level Q109 and Q111 will fail to trigger. As a result the horizontal output transistor and associated HV circuitry are disabled. This will result in a reduction of discharge current from the power supply filter C3 to approximately one third its former rate.

The energy retained by C3 will also be used mainly by the vertical deflection circuit for a significantly longer period of operation. The energy of the CRT beam will then be distributed along the vertical axis of the CRT to prevent spot burn while the HV stored in the CRT aquadag is discharged.

3.4 LOW VOLTAGE REGULATED SUPPLY

The AC line voltage is applied through a molex connector to the primary windings of transformer T1 which is located on the power supply module.

The secondary windings illustrated at the bottom of T1 is used to supply 6.3 VAC filament voltage. The other winding is used to apply an AC voltage to A1 so that approximately +68 volts is developed across C3.

The +68 volts is dropped to +55 volts by the series regulator Q1. DC regulation of +55 volts is maintained by tapping down the voltage through divider network R133, R134, and R135. Approximately +7 volts at the center tap of R134 is applied to the base of Q108. Also a DC reference voltage from VR101 is applied to the emitter of Q108. This transistor then develops a DC error current which flows through R130 to the base of emitter follower Q106. A DC bias current is supplied to the base of Q106 and the collector of Q108 by Q105 which is used as a DC current generator. The bias current from Q105 will tend to shift the base of Q106 in a positive direction whereas the current from Q108 will tend to shift the base in the negative direction. This results in an error current from the collector of Q108 that controls emitter follower Q106 and also the series pass transistor Q1. The result is that the DC output voltage is maintained at +55 VDC with various load currents and variations of the input AC voltage.

Fold-back current limiting of the +55 VDC supply is provided by means of transistor Q107, resistor R127, R128 and R129. The DC bias current flowing down through R127 and R129 to ground provides a DC drop of approximately 2.4 volts across R127. The DC load current flowing through R128 will provide a voltage drop across this resistor so that the drop is proportional to the load current. If this load current exceeds 2.4A, the emitter of Q107 will be biased approximately 3 volts below the emitter of Q1, assuming that voltage drop of 2.4V across R128 and .6 volts across CR106. In as much



IM1017

the base of Q107 is biased at 2.4 volts below the emitter of Q1, Q107 will conduct so that the voltage drop across Q105 is increased and the DC output voltage of the supply will decrease below +55 volts. This will limit peak current to approximately 2.4 amperes. In the event of a direct short on the +55 VDC bus, the output voltage will drop to approximately zero and the short-circuit current will be limited to approximately 100MA. Clearing or removing the external short-circuit will allow the regulator to resume normal circuit operation. The average current through Q1 is approximately one half ampere, however the combined peak currents of the horizontal and vertical deflection circuits may be much greater than this even though electrolytic capacitors are used across the +55 volt bus.



Section 4

PRELIMINARY ADJUSTMENTS

4.1 SYNCHRONIZATION AND DRIVE SIGNALS

Apply horizontal and vertical drive signals to the horizontal and vertical drive terminals as indicated on the schematic. Adjust the levels to a nominal 4 volt peak-to-peak.

The horizontal drive signal is required to initiate horizontal scan and high voltage, and should be connected before applying power to the monitor.

4.2 LOW VOLTAGE SUPPLY

Connect a voltmeter between ground and junction of R131 and CR106 cathode. Adjust the B+ voltage control R134 for a reading of 55V.

4.3 BRIGHTNESS

Normally, the monitor will be used to display alphanumeric or other black and white information. Normally the video polarity is usually white characters on a black background.

The brightness control should be adjusted to a point where the white raster is just extinguished. The CRT will then be at its cutoff point, and a maximum contrast ratio can be obtained when a video signal is applied.

4.4 VIDEO CONTRAST

Q103 is designed to operate linearly when a +2.5V signal is applied to its base. An external contrast control (500 Ω) is used to maintain this level. This control should be adjusted for a typical signal level of +2.5V peak-to-peak when measured at the video input terminal of the board edge connector. The video gain control R119 should be adjusted for optimum contrast or detail while observing the CRT.

4.5 VERTICAL ADJUSTMENTS

There is a slight interaction among the vertical frequency, height, and linearity controls. A change in the height of the picture may affect linearity. Consequently the adjustment should be carried out in the following sequence:

- (1) Apply video and synchronization signals to the monitor.
- (2) Set the vertical hold control, R103, near the mechanical center of its rotation.
- (3) Adjust the vertical height control R107 for desired height.
- (4) Adjust the vertical linearity control R109 for best vertical linearity.
- (5) Remove the vertical drive signal from the unit or use a short jumper lead and short the vertical drive input terminal of the board edge connector to ground.



- (6) Readjust the vertical hold control R103 until the picture rolls down slowly.
- (7) Restore vertical drive to the monitor and check height and linearity.

4.6 HORIZONTAL ADJUSTMENTS

Raster width is affected by a combination of the low voltage supply, width coil L104, and the width sleeve located on the neck of the CRT beneath the yoke.

- (1) Apply video and sync signals to the monitor.
- (2) Adjust the horizontal width coil L104 for the desired width.
- (3) Insert the width sleeve farther under the yoke to obtain the best linearity. Although this adjustment will affect the raster width, it should not be used solely for that purpose. It should be inserted only as far as required for adequate linearity correction, otherwise excessive current will be drawn by the horizontal output amplifier.
- (4) Readjust L104 for proper width.
- (5) Observe final horizontal linearity and width, and touch up either adjustment if needed.

No horizontal hold control is used in this monitor. The raster should be properly locked and can be centered with the video centering control R143.

4.7 FOCUS ADJUSTMENT

The focus control, R165, provides an adjustment for maintaining best over-all display focus.

4.8 CENTERING

If the raster is not properly centered, it may be repositioned by rotating the ring magnets behind the deflection yoke. The magnets should not be used to offset the raster from its nominal center position because it would degrade the resolution of the display. If the picture is tilted, rotate the entire yoke.



Section 5

TROUBLE SHOOTING AND MAINTENANCE

5.1 ISOLATION OF CIRCUIT FAULTS

In the event of failure or malfunction of the monitor there is a sequence of simple steps which can be carried out to isolate the fault to a particular circuit area. The first thing to check is the +55 VDC bus. In the event of a short circuit the voltage regulator will "foldback" to limit the current. In the event of a direct short the DC voltage will decay to zero. In other situations excessive load current will cause the regulator to "fold back" and then "start up" again. This cycle may reoccur at a relatively high rate such as a thousand times per second which is probably due to attempting to energize a faulty horizontal output stage. A low audible buzz may often be heard. This "fold back" and "restart" of the regulator may also occur at a much lower rate such that it appears to be synchronized with the vertical rate. This probably would be due to excessive pulse current drawn by the vertical output deflection amplifier. Isolation of faulty circuit blocks may be done as follows:

- (1) Disconnect Molex connector to J104 to isolate the vertical output stage.
- (2) Disconnect Molex connector to J110 to isolate the flyback transformer and horizontal output transistor stage.

NOTE: Removal of connector at J110 will open circuit the "ground" wire conductor to chassis. Use short "alligator clip lead" between chassis and case of aluminum filter capacitor C3 in power supply module to reestablish ground connection.

Removal of the above two circuit blocks should reduce load current on the +55 VDC regulator to a fraction of the former value. Failure of the regulator to perform normally should probably be attributed to a shorted electrolytic capacitor on the board or defective components in the regulator circuit.

Actual isolation of a fault to a single transistor stage is best accomplished by use of a scope and reference to typical waveforms contained in this section. The most critical tests or waveforms of the horizontal output stages are:

- (1) Driver transformer (T101) primary waveform
- (2) Horizontal flyback pulse at Q3-C
- (3) Radiated pulse from flyback transformer T3 (Hold a 10:1 scope probe approximately 2" away from the HV flyback transformer).
- (4) Check parabolic waveform voltage across "s" shaping capacitor C135.
- (5) Measure DC current to horizontal output amplifier by measuring voltage drop across R168. Typical current of .25 A DC should generate a voltage drop of .3 volt DC. Current on high line rate models should run somewhat higher.



- (6) "Tearing" of raster may be due to "over Voltage" adjustment of the +55 VDC regulator. This may cause erratic "firing" of the SCR transistor Q113. Absence of drive signals to horizontal output stage may be due to complete shut down of SCR Q113.

Tests on the power transistor circuits located on the PC board can be carried out by the use of scope and reference to typical voltage waveforms.

Typical waveforms are illustrated by section 5.2. Waveforms of high line rate models are similar with the time duration of the waveforms will be somewhat less, i.e. they should be scaled in time such that they are proportional to the time of a horizontal line. The amplitude of the horizontal flyback pulse should be somewhat less due to lower values of yoke inductances. Waveforms which occur at field rate should be similar. Figure 5-1 illustrates the component location and the location of the molex connectors and wire color codes.

Waveforms which occur at field rate were taken with the scope externally synchronized to the leading edge of vertical drive. In the case of waveforms at horizontal line rate the scope was synchronized to the leading edge of horizontal drive, consequently the time relationship of each waveform actually indicates the relative time delay of each multivibrator. In most cases, the scope was DC coupled when the waveforms were taken so that the relative position of ground potential on the waveforms could be indicated.

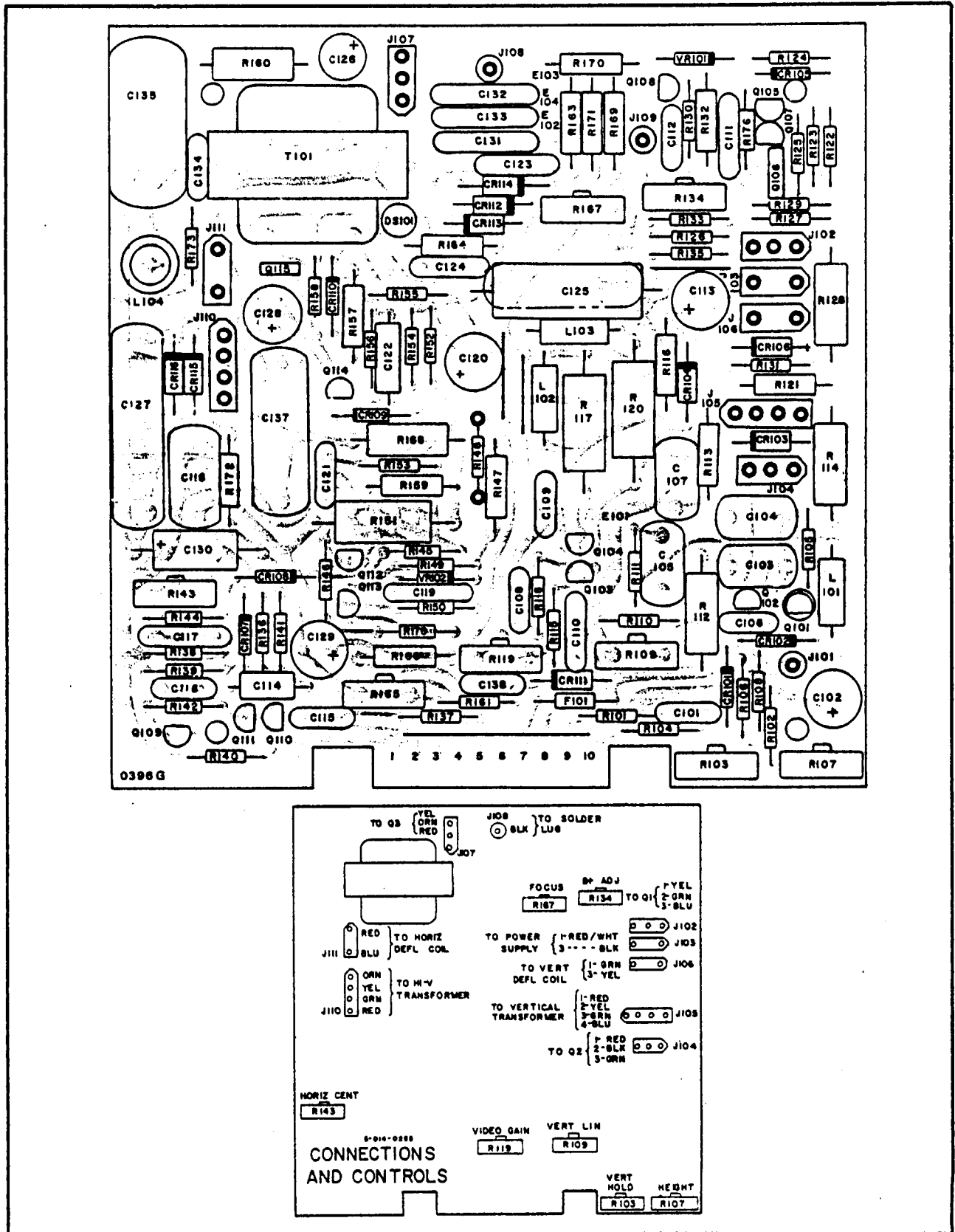


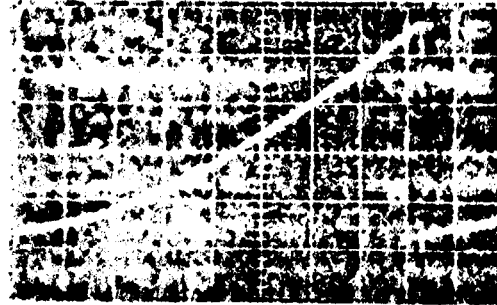
Fig. 5-1 Circuit Board Component Location and Intercabling Diagram.



5.2 TYPICAL WAVEFORMS

Q101-anode
Field Rate
1V/Div

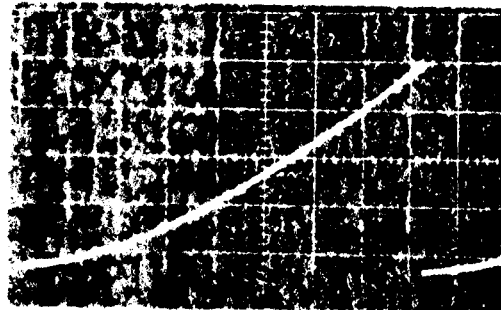
Ground Ref. →



#1

Q2-Base
Field Rate
1V/Div

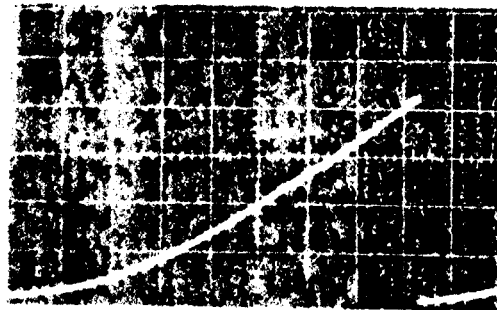
Ground Ref. →



#2

Q2-Emitter
Field Rate
1V/Div

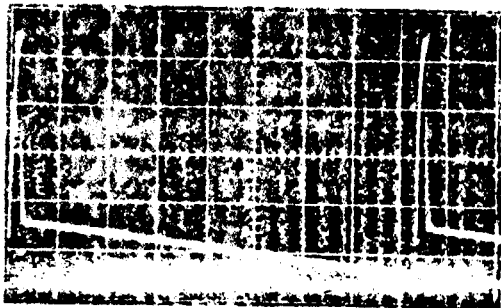
Ground Ref. →



#3

Q2-Collector
Field Rate
50V/Div

Ground Ref. →

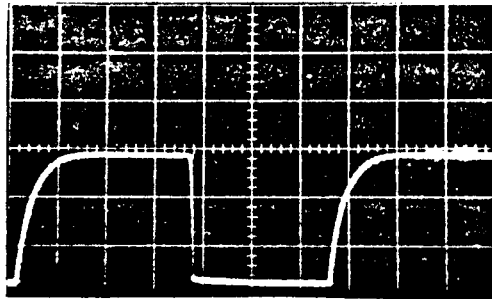


#4



Q109-Collector
Line Rate
5V/Div

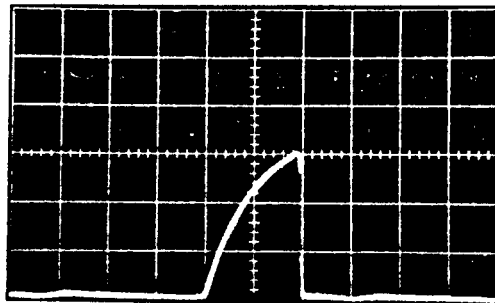
Ground Ref. →



#5

Q112-Collector
Line Rate
5V/Div

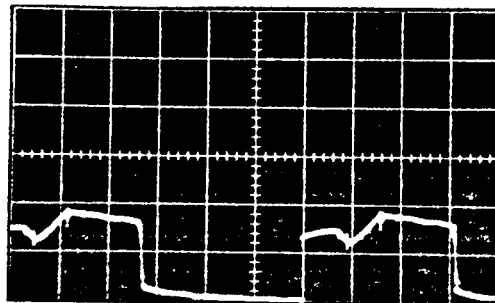
Ground Ref. →



#6

Q114-Collector
Line Rate
.5 Volt/Div

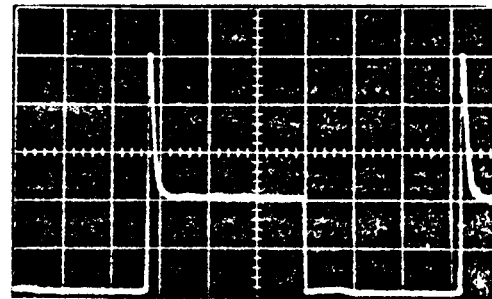
Ground Ref. →



#7

Q115-Collector
Line Rate
50V/Div

Ground Ref. →

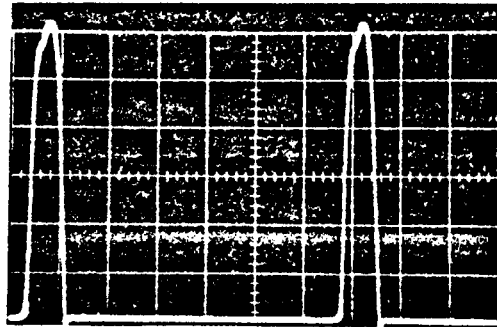


#8



Q3-Collector
(Horiz. Flyback Pulse)
Line Rate
100V/Div

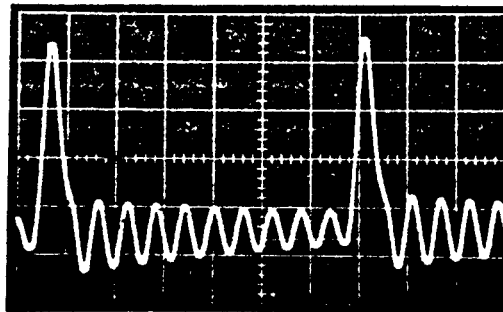
Ground Ref. →



#9

Radiated Pulse from
flyback Transformer. 10:1
Probe held 2" away
Line Rate
50V/Div

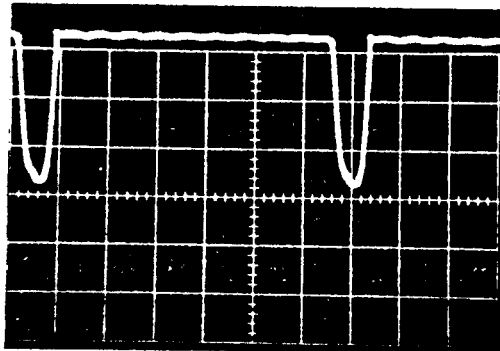
Scope AC
Coupled



#10

Ground Ref. →

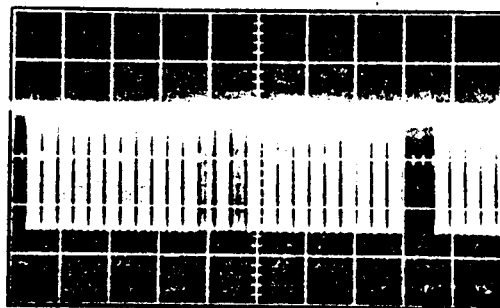
CR115 Cathode
Line Rate
50V/Div



#11

CRT Cathode
Line Rate
10V/Div

Ground Ref. →



#12



111117

Section 6
TTL Parts List

SYMBOL	DESCRIPTION	BBRC PART NUMBER
A1	Bridge Rectifer, VS148	1-021-0413
	<u>CAPACITOR, fixed; μF unless otherwise stated</u>	
C1	.001 \pm 10%; 1000V, ceramic disc	1-012-0540
C2	.01; 1000V, arc gap ceramic	1-021-0112
C3	1400; 90V, electrolytic	1-012-2186
C101	.001 \pm 10%; 1000V, ceramic disc	1-012-0540
C102	50; 50V, electrolytic	1-012-2157
C103	.22 \pm 10%; 200V, mylar	1-012-0930
C104	.22 \pm 10%; 200V, mylar	1-012-0930
C105	.22 \pm 10%; 200V, mylar (TTL15/AM, TTL15/C, TTL15/875, TTL15/1029)	1-012-0930
C106	.001 \pm 10%; 1000V, ceramic disc (TTL15/AM, TTL15/C, TTL15/875, TTL15/1029).	1-012-0540
C107	.1 \pm 10%; 400V, mylar	1-012-2239
C108	250pF \pm 5%; 500V, dipped mica	10-57-5251
	or 180pF \pm 5%; 500V, dipped mica (TTL15/C, TTL15/875, TTL15/1029)	10-57-5181
C109	100pF \pm 5%; 500V, dipped mica	1-012-0300
C110	.1 \pm 20%; 100V, ceramic disc	10-12-7104
C111	.1 \pm 20%; 100V, ceramic disc	10-12-7104
C112	27pF \pm 5%; dipped mica	1-012-2161
C113	5; 150V, electrolytic	1-012-2195
C114	.0039 \pm 10%; 200V, mylar	10-47-7392
	or .0033 \pm 10%; 200V, mylar (TTL15/AV)	10-47-7332
	or .0022 \pm 10%; 200V, mylar (TTL15/C, TTL15/875)	10-47-7222
	or .0018 \pm 10%; 200V, mylar (TTL15/AM)	10-47-7182
	or .0015 \pm 10%; 200V, mylar (TTL15/1029)	10-47-7152
C115	.001 \pm 10%; 1000V, ceramic disc	1-012-0540
C116	22pF \pm 5%; 500V, dipped mica	10-57-5220
C117	750pF \pm 5%; 100V, dipped mica	10-57-5751
C118	.47 \pm 10%; 200V, mylar	1-012-1927
C119	.1 \pm 20%; 100V, ceramic disc	10-12-7104
C120	5; 150V, electrolytic	1-012-2195
C121	.001 \pm 10%; 1000V, ceramic disc	1-012-0540
	or .002 \pm 10%; 500V, ceramic disc (TTL15/AM)	10-16-7208
C122	.0082 \pm 10%; 200V, mylar	10-47-7822
	or .0022 \pm 10%; 200V, mylar (TTL15/AM, TTL15/C, TTL15/1029, TTL15/875)	10-47-7222
C123	.01 \pm 20%; 1000V, ceramic disc	1-012-2214
C124	.02 \pm 20%; 1000V, ceramic disc	1-012-2217
C125	.015 \pm 10%; 1000V, film/paper	1-012-2201
	or .1 \pm 10%; 600V, mylar (TTL15/1029)	1-012-2202
C126	25; 25V, electrolytic	1-012-2212
	or 10; 25V, electrolytic (TTL15/AM, TTL15/C, TTL15/1029, TTL15/875)	1-012-2211



SYMBOL	DESCRIPTION	BBRC PART NUMBER
C127	.0056 ± 10%; 2000V, mylar	10-35-7562
	or .005 ± 10%; 1600V, mylar (TTL15/0)	1-012-2232
	or .0068 ± 10%; 1600V, mylar (TTL12)	1-012-2210
C128	5; 150V, electrolytic	1-012-2195
C129	5; 150V, electrolytic	1-012-2195
C130	1; 150V, electrolytic	1-012-2168
C131	.01; 1000V, arc cap, ceramic	1-012-0112
C132	.01; 1000V, arc cap, ceramic	1-012-0112
C133	.01; 1000V, arc cap, ceramic	1-012-0112
C134	.001 ± 10%; 1000V, ceramic disc	1-012-0540
C135	1.5 ± 10%; 100V, polycarbonate	1-012-2216
C136	2pF; 250V, arc cap	1-012-0111
C137	1 ± 10%; 100V, mylar	1-012-1025
C138	250pF ± 5%; 500V, dipped mica	10-57-5251
	<u>DIODE</u>	
CR101	1N3605	1-021-0410
CR102	1N3605	1-021-0410
CR103	1N3280	1-021-0403
CR104	1N628	1-021-0160
CR105	1N3605	1-021-0410
CR106	1N4001	78-62-4001
CR107	1N3605	1-021-0410
CR108	1N3605	1-021-0410
CR109	1N3605	1-021-0410
CR110	1N628	1-021-0160
CR111	1N3280	1-021-0403
CR112	1N3280	1-021-0403
CR113	1N3280	1-021-0403
CR114	VG-1X	1-021-0447
CR115	1N3280	1-021-0403
CR116	1N5398	1-021-0436
CR1	RHC-25-20	1-021-0438
DS101	NO. 1764	1-026-0308
	<u>FUSE</u>	
F1	3/4A-125	1-028-0242
	or 1A-125	28-13-0100
F2	2A-125V	1-028-0249
	<u>COIL</u>	
L1	Deflection coil assembly	6-004-0323
	or Deflection coil assembly (TTL15/0)	6-004-0676
	or Deflection coil assembly (TTL12)	6-004-0350
	or Deflection coil assembly (TTL15C)	6-004-0347
	or Deflection coil assembly (TTL15/1029)	6-004-0328
	or Deflection coil assembly (TTL15/875)	6-004-0336
	or Deflection coil assembly (TTL15/AM)	6-004-0354



11101

SYMBOL	DESCRIPTION	BBRC PART NUMBER
L2	10 μ H	15-13-1100
L101	560 μ H	1-016-0302
L102	4.7 μ H	15-13-1479
L103	22 μ H	15-13-1220
L104	Width Coil	1-016-0304
	or Width coil (TTL15/0)	1-016-0309
	or Width coil (TTL15/AM, TTL15/C, TTL15/1029, TTL15.875)	1-016-0299
	<u>TRANSISTOR</u>	
Q1	DTS-410	78-85-0410
Q2	2SD-199	1-015-1176
Q3	DTS-402 (525)	78-85-0402
	or DTS-802 (TTL15/875)	1-015-1189
	or A705 (TTL15/0)	78-85-0709
Q4	A705	78-85-0709
Q101	2N6027	1-015-1157
Q102	MPS-A65	1-015-1186
Q103	MPS-6565	1-015-1185
Q104	MPS-6565	1-015-1185
Q105	MPS-L51	1-015-1175
Q106	MJE-340	78-86-0340
Q107	2N5830	1-015-1172
Q108	2N5830	1-015-1172
Q109	2N4124	1-015-1139
Q110	2N4124	1-015-1139
Q111	2N4124	1-015-1139
Q112	2N4124	1-015-1139
Q113	2N5060	1-015-1168
Q114	MPS-A16	1-015-1193
Q115	MJE-340	78-86-0340
	<u>RESISTOR fixed film: $\frac{1}{8}$W \pm 5% unless otherwise stated</u>	
R1	500 Ω ; 6W, deposited carbon (AA version)	1-011-1800
	or 500 Ω ; 6W, deposited carbon (BB version)	1-011-2456
R2	1 Ω \pm 10%; 3W, wirewound	1-011-1742
R3	1 Ω \pm 10%; 3W, wirewound	1-011-1742
R101	470 Ω	70-16-0471
R102	470 Ω	70-16-0471
	or 10K (TTL15/AM, TTL15/C, TTL15/1029, TTL15/875)	70-16-0103
R103	Var; 10K \pm 20%; 1/8W, composition, vertical hold	1-011-5312
	or Var; 5K \pm 20%; 1/8W, composition, vertical hold (TTL15/1029, TTL15/AM, TTL15/C, TTL15/875)	1-011-5637
R104	6.8K	70-16-0682
R105	100K	70-16-0104
R106	27K	70-16-0273
R107	Var; 50K \pm 20%; 1/8W, composition, vertical height	1-011-5373
R108	220K	70-16-0224
	or 470K (TTL15/AM, TTL15/C, TTL15/875, TTL15/1029)	70-16-0474



SYMBOL	DESCRIPTION	BBRC PART NUMBER
R109	Var; 25K \pm 20%; 1/8W, composition, vertical lin.	1-011-5325
R110	10K	70-16-0103
	or 36K (TTL15-AM, TTL15/C, TTL15/875, TTL15/1029)	70-16-0363
R111	33K (TTL15/AM, TTL15/C, TTL15/875, TTL15/1029)	70-16-0333
R112	3.3K; 1W, composition	1-011-2425
	or 5.6K; 1W, composition (TTL15/AM, TTL15/C, TTL15/875, TTL15/1029)	1-011-2444
R113	15K	70-16-0153
R114	33 Ω ; 1W, composition	1-011-2426
	or 22 Ω ; 1W, composition (TTL15/AM, TTL15/C)	1-011-2421
	or 15 Ω ; 1W, composition (TTL15/875, TTL15/1029)	78-15-0150
R115	100 Ω	70-16-0101
R116	560 Ω ; $\frac{1}{2}$ W	1-011-2264
R117	2.7K; 2W, composition	1-011-2420
R118	100 Ω	70-16-0101
R119	Var; 100 Ω \pm 20%; 1.8W, composition, video gain	1-011-5095
R120	1.5K; 2W, composition	1-011-1500
R121	1.5K; $\frac{1}{2}$ W	1-011-2274
R122	100K	70-16-0104
R123	390 Ω	70-16-0391
R124	68K	70-16-0683
R125	330 Ω	70-16-0331
R126	3.3M	70-16-0335
R127	1K	70-16-0102
R128	1 Ω \pm 10%; 3W, wirewound	1-011-1742
R129	22K	70-16-0223
R130	15K	70-16-0153
R131	10 Ω	70-16-0100
R132	12K; $\frac{1}{2}$ W	1-011-2296
R133	30K	70-16-2296
R134	Var; 1K \pm 20%; 1/8Wc composition, B+ adjust	1-011-5182
R135	3.9K	70-16-0392
R136	13K	70-16-0133
R137	2.2K	70-16-0222
R138	1.1K	70-16-0112
R139	3.9K	70-16-0392
R140	1.5K	70-16-0152
R141	2.2K	70-16-0222
R142	10K	70-16-0103
R143	Var; 25K \pm 20%; 1/8W, composition, horizontal centering	1-011-5325
R144	27K	70-16-0273
	or 22K (TTL15/1029, TTL15/875)	70-16-0223
R145	56K	70-16-0563
R146	22K	70-16-0223
R147	12K; $\frac{1}{2}$ W	1-011-2296
R148	Selected	
R149	1.5K	70-16-0152



111017

SYMBOL	DESCRIPTION	BBRC PART NUMBER
R150	1.5K	70-16-0152
R151	2.7K; 2W, composition	1-011-2420
R152	15K	70-16-0153
	or 22K (TTL15C, TTL15/AM, TTL15/875)	70-16-0223
	or 20K (TTL15.1029)	70-16-0203
R153	15K	70-16-0153
	or 8.2K (TTL15/1029)	70-16-0822
R154	12K	70-16-0123
R155	4.7K	70-16-0472
R156	4.7K	70-16-0472
R157	3.9K; 1/2W	1-011-2284
R158	3.9K	70-16-0392
R159	47Ω; 1/2W	1-011-2238
R160	2.2Ω; 2W, wirewound	1-011-0120
R161	39K	70-16-0393
R162	Not used	
R163	1.8M; 1/2W	1-011-2348
R164	100Ω; 1/2W (used model without DS201)	1-011-2246
R165	Var; 100K ± 20%; 1/8W, composition brightness (optional)	1-011-5435
R166	47K; 1/2W	1-011-2310
R167	Var; 2.5M ± 20%; 1/8W, composition focus	1-011-5566
R168	1.2Ω; 2W, wirewound	1-011-1395
R169	10K; 1/2W	1-011-2294
R170	1.8M; 1/2W	1-011-2348
R171	47K; 1/2W	1-011-2310
R172	330; 1/2W	1-011-2258
R173	1K (875)	70-16-0102
R174	100Ω; 1/2W	1-011-2246
R175	330Ω	70-16-0351
R176	330Ω	70-16-0351
RT1	Thermistor, 2.5Ω @ 25°C (part of L1)	1-011-7008
	<u>TRANSFORMER</u>	
T1	Power	1-017-5400
	or Power (TTL15/AM, TTL15/C, TTL15/1029, TTL15/875)	1-017-5391
T2	Vertical output	6-003-0341
T3	High voltage (TTL15)	6-003-0407
	or High voltage (TTL15/875)	6-003-0464
	or High voltage (TTL15/AV)	6-003-0404
	or High voltage (TTL15/AM)	6-003-0496
	or High voltage (TTL12)	6-003-0436
	or High voltage (TTL15/C)	6-003-0446
	or High voltage (TTL15/1029)	6-003-0408
T101	Horizontal driver	1-017-5580
	or Horizontal driver (TTL15/0, TTL15/AM, TTL15/C, TTL15/1029)	1-017-5395
	<u>GENER DIODE</u>	
VR101	1N754A	78-15-0754
VR102	1N5526	1-021-0449



IM1017

<u>SYMBOL</u>	<u>DESCRIPTION</u>	<u>BBRC PART NUMBER</u>
	<u>MISCELLANEOUS</u>	
V1	15 inch CRT	
	Assembly, main chassis board (TTL15)	6-002-0525
	Assembly, main chassis board (TTL15/0)	6-002-0560
	Assembly, main chassis board (TTL15/C)	6-002-0582
	Assembly, power supply module (TTL15/1029, TTL15/875)	6-003-0412
	Assembly, main chassis board (TTL12)	6-002-0569
	Assembly, main chassis board (TTL12 W/Brt control)	6-002-0574
	Assembly, main chassis board (TTL15 W/Brt control)	6-002-0551
	Assembly, switchable power supply module	6-003-0424
	Assembly, heatsink (TTL15/0)	6-003-0434
	Assembly, heatsink (TTL15/AM, TTL15/1029, TTL15/C)	6-003-0446
	Assembly, heatsink	6-003-0396
	Assembly, heatsink (TTL15/875)	6-003-0411
	Assembly, heatsink (TTL15/875)	6-003-0404
	Assembly, main chassis board (TTL15/AV)	6-002-0620
	Assembly, main chassis board (TTL15/1029)	6-002-0589
	Assembly, main chassis board (TTL15/875)	6-002-0537
	Assembly, main chassis board (TTL15/AM)	6-002-0638
	Assembly, power supply module (TTL15/C, TTL15/AM)	6-003-0445
	Assembly, power regulator module (TTL15/I)	6-003-0498



INSTRUCTION MANUAL ADDENDUM

MODEL EFFECTED: TV-15 and TTL Series

SUBJECT: 100-240V Low Voltage Power Supply

This is an optional supply module for use on the TV15 & TTL series data display and is capable of operating from input line voltages of 100V, 120V, 220V or 240V, 50/60Hz.

The power supply input voltage is determined by the setting of the two slide switches located at the rear of the supply. These switches are stamped to indicate the appropriate line voltage setting.

To set the supply for a particular line voltage, the numbers on the two switches are added together. This enables the supply to be set for four different input line voltages. The position of the switches and the resultant input voltages are:

S2 Position	S3 Position	AC Line Voltage
0	100	100
20	100	120
0	220	220
20	220	240

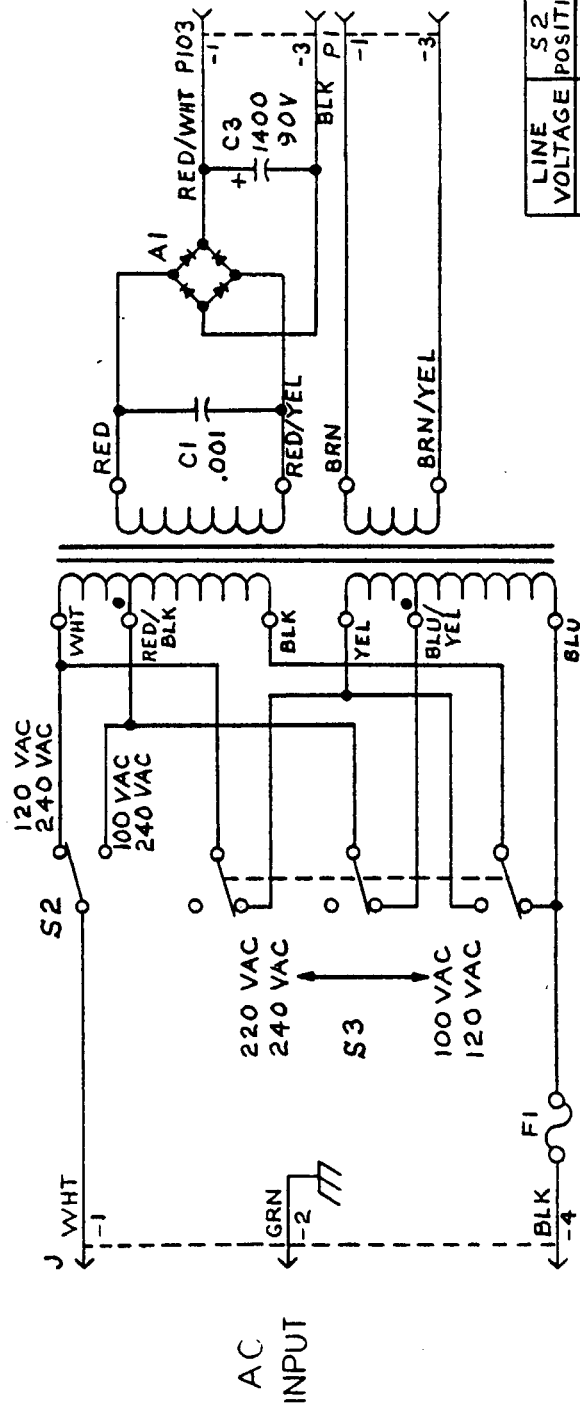
When changing input voltage from 100/120 to 220/240 volt, the fuse (F1) must also be changed.

FUSE SIZE TABLE

Input Voltage	Fuse Size
100/120V	3/4A-125V slo-blo
220/240V	3/8A-250V slo-blo

PART LIST ADDENDUM

T1 Power Transformer	1-017-5400
S2 Switch, Slide, SPDT	1-018-0255
S3 Switch Slide, 3PDT	1-018-0256
Power Supply Module	6-003-0424



LINE VOLTAGE	S2 POSITION	S3 POSITION	F I
100	0	100	3/4 A 125V SB
120	20	100	3/4 A 125V SB
220	0	220	3/8 A 250V SB
240	20	220	3/8 A 250V SB

FIG 1: SWITCHING SYSTEM FOR VARIABLE INPUT LINE VOLTAGE SHOWN IN 120 VAC POSITION.

MATERIAL	TOLERANCES UNLESS OTHERWISE SPECIFIED		REV.
	DECIMALS	FRACTIONS	
FINISH	.000	0 TO 8	B
	.001	8 TO 24	1-024-0547
	.002	ABOVE 24	REV. A
	.003	1/8	
	.005	1/4	
	.010	1/2	
	.015	3/4	
	.020	1	
	.030	1 1/2	
	.040	2	
	.050	3	
	.060	4	
	.070	5	
	.080	6	
	.090	7	
	.100	8	
	.120	9	
	.150	10	
	.200	11	
	.250	12	
	.300	13	
	.400	14	
	.500	15	
	.600	16	
	.700	17	
	.800	18	
	.900	19	
	1.000	20	
	1.200	21	
	1.500	22	
	2.000	23	
	2.500	24	
	3.000	25	
	4.000	26	
	5.000	27	
	6.000	28	
	8.000	29	
	10.000	30	
	12.000	31	
	15.000	32	
	20.000	33	
	25.000	34	
	30.000	35	
	40.000	36	
	50.000	37	
	60.000	38	
	80.000	39	
	100.000	40	
	120.000	41	
	150.000	42	
	200.000	43	
	250.000	44	
	300.000	45	
	400.000	46	
	500.000	47	
	600.000	48	
	800.000	49	
	1000.000	50	
	1200.000	51	
	1500.000	52	
	2000.000	53	
	2500.000	54	
	3000.000	55	
	4000.000	56	
	5000.000	57	
	6000.000	58	
	8000.000	59	
	10000.000	60	
	12000.000	61	
	15000.000	62	
	20000.000	63	
	25000.000	64	
	30000.000	65	
	40000.000	66	
	50000.000	67	
	60000.000	68	
	80000.000	69	
	100000.000	70	
	120000.000	71	
	150000.000	72	
	200000.000	73	
	250000.000	74	
	300000.000	75	
	400000.000	76	
	500000.000	77	
	600000.000	78	
	800000.000	79	
	1000000.000	80	
	1200000.000	81	
	1500000.000	82	
	2000000.000	83	
	2500000.000	84	
	3000000.000	85	
	4000000.000	86	
	5000000.000	87	
	6000000.000	88	
	8000000.000	89	
	10000000.000	90	
	12000000.000	91	
	15000000.000	92	
	20000000.000	93	
	25000000.000	94	
	30000000.000	95	
	40000000.000	96	
	50000000.000	97	
	60000000.000	98	
	80000000.000	99	
	100000000.000	100	
	120000000.000	101	
	150000000.000	102	
	200000000.000	103	
	250000000.000	104	
	300000000.000	105	
	400000000.000	106	
	500000000.000	107	
	600000000.000	108	
	800000000.000	109	
	1000000000.000	110	
	1200000000.000	111	
	1500000000.000	112	
	2000000000.000	113	
	2500000000.000	114	
	3000000000.000	115	
	4000000000.000	116	
	5000000000.000	117	
	6000000000.000	118	
	8000000000.000	119	
	10000000000.000	120	
	12000000000.000	121	
	15000000000.000	122	
	20000000000.000	123	
	25000000000.000	124	
	30000000000.000	125	
	40000000000.000	126	
	50000000000.000	127	
	60000000000.000	128	
	80000000000.000	129	
	100000000000.000	130	
	120000000000.000	131	
	150000000000.000	132	
	200000000000.000	133	
	250000000000.000	134	
	300000000000.000	135	
	400000000000.000	136	
	500000000000.000	137	
	600000000000.000	138	
	800000000000.000	139	
	1000000000000.000	140	
	1200000000000.000	141	
	1500000000000.000	142	
	2000000000000.000	143	
	2500000000000.000	144	
	3000000000000.000	145	
	4000000000000.000	146	
	5000000000000.000	147	
	6000000000000.000	148	
	8000000000000.000	149	
	10000000000000.000	150	
	12000000000000.000	151	
	15000000000000.000	152	
	20000000000000.000	153	
	25000000000000.000	154	
	30000000000000.000	155	
	40000000000000.000	156	
	50000000000000.000	157	
	60000000000000.000	158	
	80000000000000.000	159	
	100000000000000.000	160	
	120000000000000.000	161	
	150000000000000.000	162	
	200000000000000.000	163	
	250000000000000.000	164	
	300000000000000.000	165	
	400000000000000.000	166	
	500000000000000.000	167	
	600000000000000.000	168	
	800000000000000.000	169	
	1000000000000000.000	170	
	1200000000000000.000	171	
	1500000000000000.000	172	
	2000000000000000.000	173	
	2500000000000000.000	174	
	3000000000000000.000	175	
	4000000000000000.000	176	
	5000000000000000.000	177	
	6000000000000000.000	178	
	8000000000000000.000	179	
	10000000000000000.000	180	
	12000000000000000.000	181	
	15000000000000000.000	182	
	20000000000000000.000	183	
	25000000000000000.000	184	
	30000000000000000.000	185	
	40000000000000000.000	186	
	50000000000000000.000	187	
	60000000000000000.000	188	
	80000000000000000.000	189	
	100000000000000000.000	190	
	120000000000000000.000	191	
	150000000000000000.000	192	
	200000000000000000.000	193	
	250000000000000000.000	194	
	300000000000000000.000	195	
	400000000000000000.000	196	
	500000000000000000.000	197	
	600000000000000000.000	198	
	800000000000000000.000	199	
	1000000000000000000.000	200	
	1200000000000000000.000	201	
	1500000000000000000.000	202	
	2000000000000000000.000	203	
	2500000000000000000.000	204	
	3000000000000000000.000	205	
	4000000000000000000.000	206	
	5000000000000000000.000	207	
	6000000000000000000.000	208	
	8000000000000000000.000	209	
	10000000000000000000.000	210	
	12000000000000000000.000	211	
	15000000000000000000.000	212	
	20000000000000000000.000	213	
	25000000000000000000.000	214	
	30000000000000000000.000	215	
	40000000000000000000.000	216	
	50000000000000000000.000	217	
	60000000000000000000.000	218	
	80000000000000000000.000	219	
	100000000000000000000.000	220	
	120000000000000000000.000	221	
	150000000000000000000.000	222	
	200000000000000000000.000	223	
	250000000000000000000.000	224	
	300000000000000000000.000	225	
	400000000000000000000.000	226	
	500000000000000000000.000	227	
	600000000000000000000.000	228	
	800000000000000000000.000	229	
	1000000000000000000000.000	230	
	1200000000000000000000.000	231	
	1500000000000000000000.000	232	
	2000000000000000000000.000	233	
	2500000000000000000000.000	234	
	3000000000000000000000.000	235	
	4000000000000000000000.000	236	
	5000000000000000000000.000	237	
	6000000000000000000000.000	238	
	8000000000000000000000.000	239	
	10000000000000000000000.000	240	
	12000000000000000000000.000	241	
	15000000000000000000000.000	242	
	20000000000000000000000.000	243	
	25000000000000000000000.000	244	
	30000000000000000000000.00		