

Revisions				217115		A	
LAL	Rev.	Description			Chk	Date	Approved
	A	ENGRG RELEASE			RF	11-18-77	R. Freeman

**ENGINEERING  
RELEASE**

THIS DOCUMENT CONTAINS 13 SHEETS.

Dist Code SPG

These drawings and specifications, and the data contained therein, are the exclusive property of Xerox Corporation and/or Rank Xerox, Ltd. issued in strict confidence and shall not, without the prior written permission of Xerox Corporation or Rank Xerox, Ltd., be reproduced, copied or used for any purpose whatsoever, except the manufacture of articles by Xerox Corporation or Rank Xerox, Ltd.

- Notes Unless Specified
1. Tolerances  
 .XX ±.03      Angular  
 .XXX ±.010    ±1/2°
  2. Break All Sharp Edges  
 .010 Approx.
  3. Mach. Surfaces
  4. All Dim. in Inches

Drawn *Wickman* 11-15-77

Check *RF*

Appr. *R. Freeman* 11-18-77

Material

Xerox Corporation  
El Segundo, California

**XEROX**

Title

ASSEMBLY, PRINTED WIRING-  
MEMORY DATA INTERFACE  
(EXTENDED MEMORY)

Model No. First Use  
**ALTO II**

Next Assy. First Use  
**216647**

Finish

Code Ident.  
**18338**

Scale -

Size **A**

Dwg. No.  
**217115**

Do Not Scale Drawing

Change Letter  
**A**

Sheet **1** OF **OF**

NOTES: UNLESS OTHERWISE SPECIFIED

1. MAKE FROM ASSY, PW-MEMORY DATA INTERFACE, P/N 216312 REV E.
2. THE FOLLOWING MODIFICATIONS ARE REQUIRED FOR EXTENDED MEMORY APPLICATION:

- |     |               |        |    |        |
|-----|---------------|--------|----|--------|
| 1)  | ADD WIRE FROM | PIN 32 | TO | A43-4  |
| 2)  |               | PIN 33 |    | A43-5  |
| 3)  |               | A43-1  |    | A21-1  |
| 4)  |               | A43-9  |    | A21-9  |
| 5)  |               | A43-2  |    | A42-2  |
| 6)  |               | A43-7  |    | A42-5  |
| 7)  |               | A19-10 |    | A42-1  |
| 8)  |               | A42-1  |    | A42-4  |
| 9)  |               | A42-3  |    | A59-11 |
| 10) | ADD WIRE FROM | A42-6  | TO | A59-8  |
| 11) |               |        |    |        |
| 12) |               |        |    |        |
| 13) |               |        |    |        |
| 14) |               |        |    |        |
| 15) |               |        |    |        |

- 16) INSTALL MICROCIRCUIT 74S175 (ITEM 2) IN LOCATION A43.
- 17) INSTALL MICROCIRCUIT 7438 (ITEM 3) IN LOCATION A42.

3 RUBBER STAMP "EXTN MEM., ASSY NO. 217115, .12 HIGH, WHITE CHARACTERS.

These drawings and specifications, and the data contained therein, are the exclusive property of Xerox Corporation and/or Rank Xerox, Ltd. issued in strict confidence and shall not, without the prior written permission of Xerox Corporation or Rank Xerox, Ltd., be reproduced, copied or used for any purpose whatsoever, except the manufacture of articles for Xerox Corporation or Rank Xerox, Ltd.

Title  
 ASSY, PRINTED WIRING-  
 MEMORY DATA INTERFACE  
 (EXTENDED MEMORY)

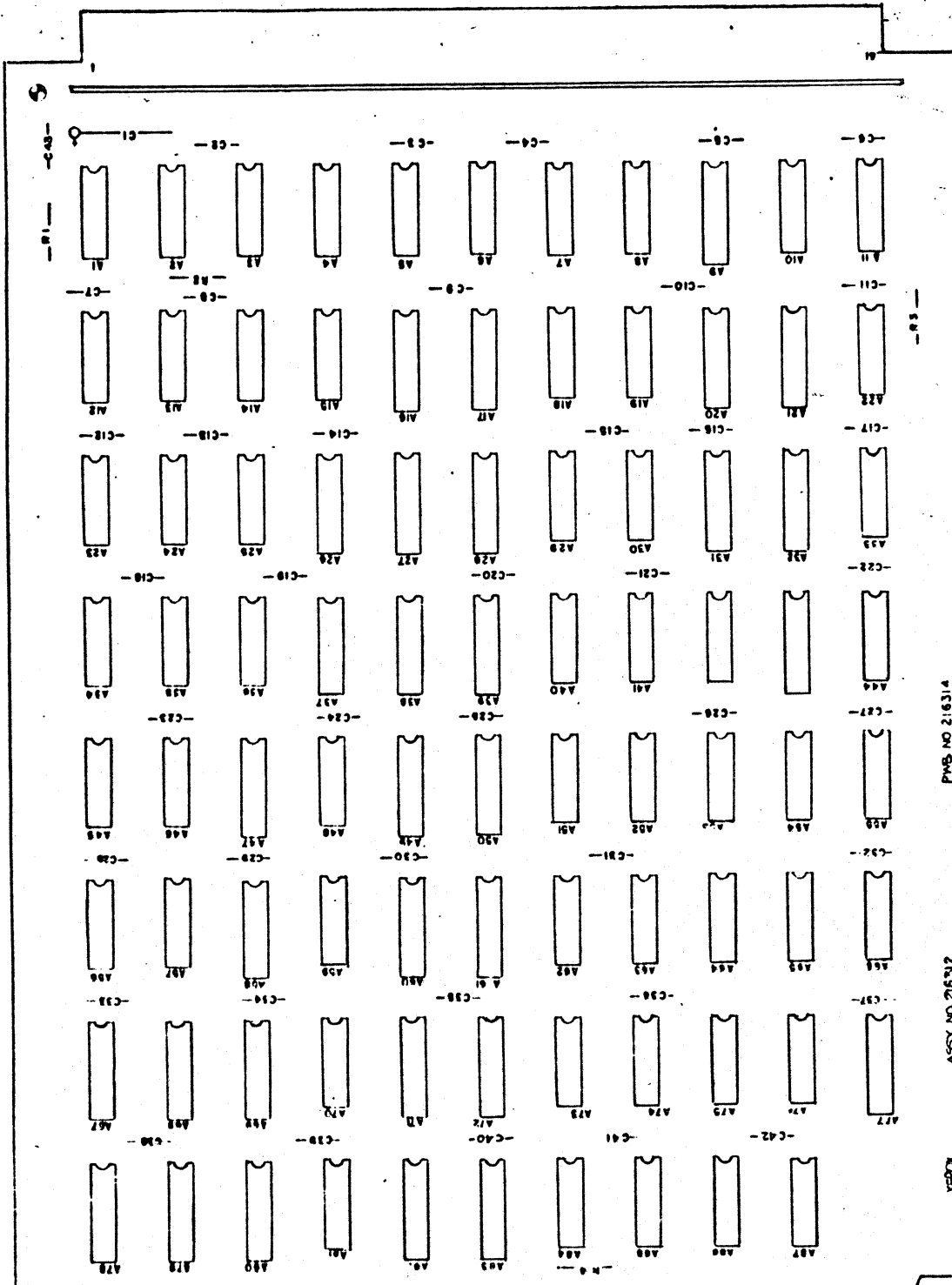
Xerox Corporation  
 El Segundo, California

**XEROX**

217115

A

Sheet 2 Of



PMB NO 216314

ASSY NO 216312

XERTK

ALTO MEMORY DATA INTERFACE EXTN MEM. ASSY 217115

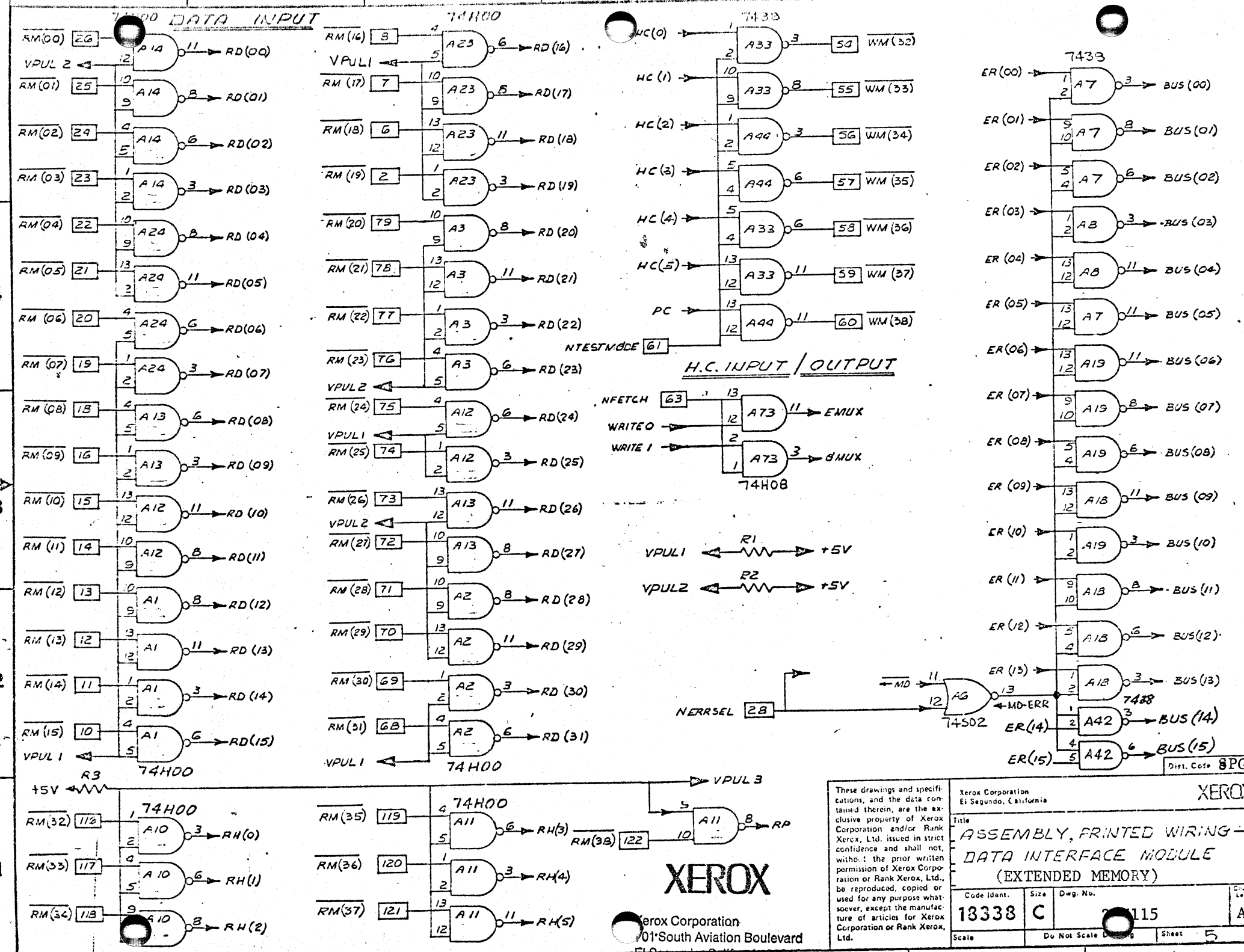
3

These drawings and specifications, and the data contained therein, are the exclusive property of Xerox Corporation and/or Rank Xerox, Ltd. issued in strict confidence and shall not, without the prior written permission of Xerox Corporation or Rank Xerox, Ltd., be reproduced, copied or used for any purpose whatsoever, except the manufacture of articles for Xerox Corporation or Rank Xerox, Ltd.

Title  
 ASSY, PRINTED WIRING-  
 MEMORY DATA INTERFACE  
 (EXTENDED MEMORY)

Xerox Corporation El Segundo, California		<b>XEROX</b>	
217115			
Sheet	3	Of	





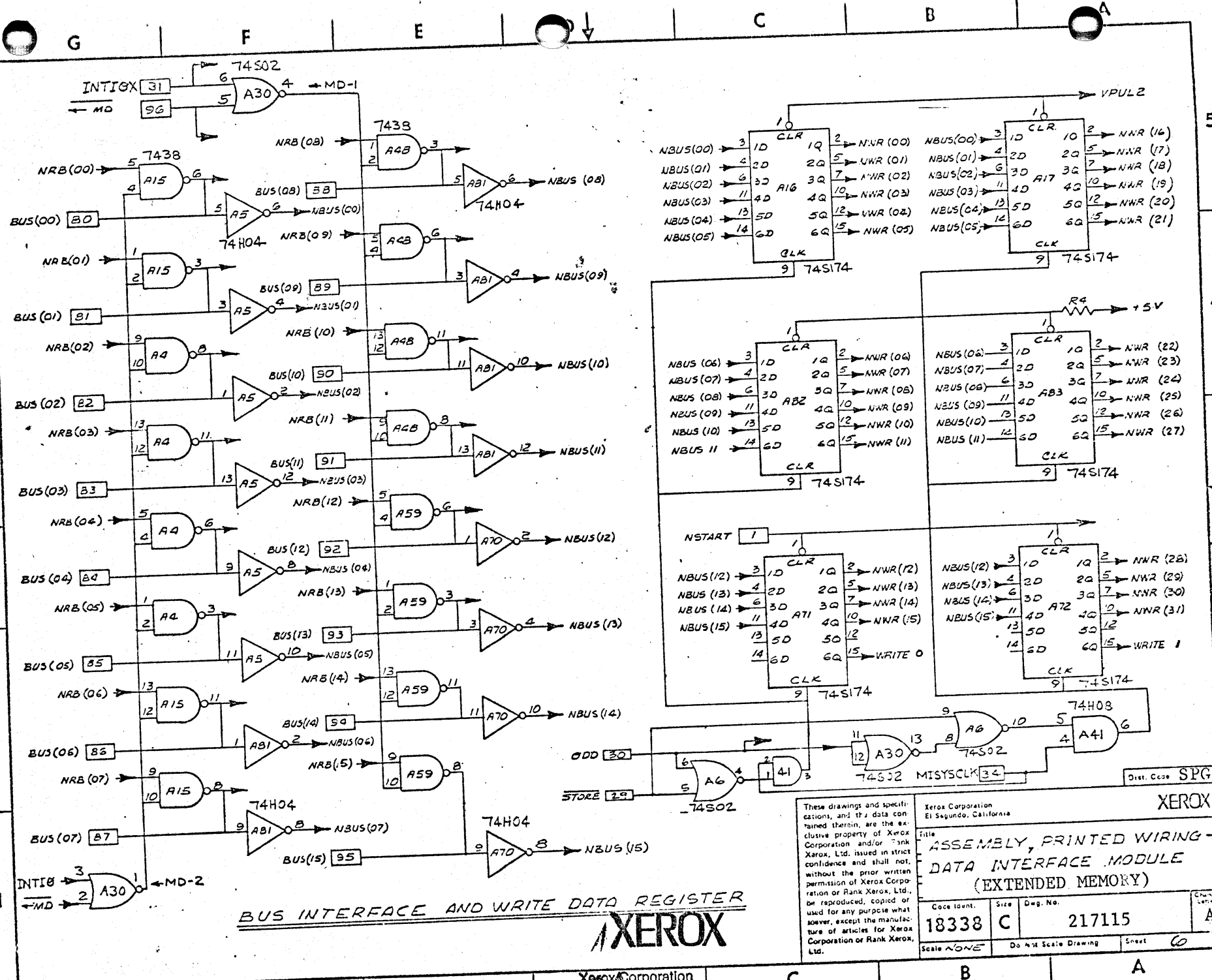
**XEROX**

Xerox Corporation  
 701 South Aviation Boulevard  
 El Segundo, California 90245

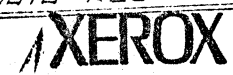
These drawings and specifications, and the data contained therein, are the exclusive property of Xerox Corporation and/or Rank Xerox, Ltd. issued in strict confidence and shall not, without the prior written permission of Xerox Corporation or Rank Xerox, Ltd., be reproduced, copied or used for any purpose whatsoever, except the manufacture of articles for Xerox Corporation or Rank Xerox, Ltd.

Xerox Corporation El Segundo, California		<b>XEROX</b>	
Title <b>ASSEMBLY, PRINTED WIRING - DATA INTERFACE MODULE (EXTENDED MEMORY)</b>			
Code Ident.	Size	Dwg. No.	Change Letter
133338	C	115	A
Scale	Do Not Scale		Sheet 5

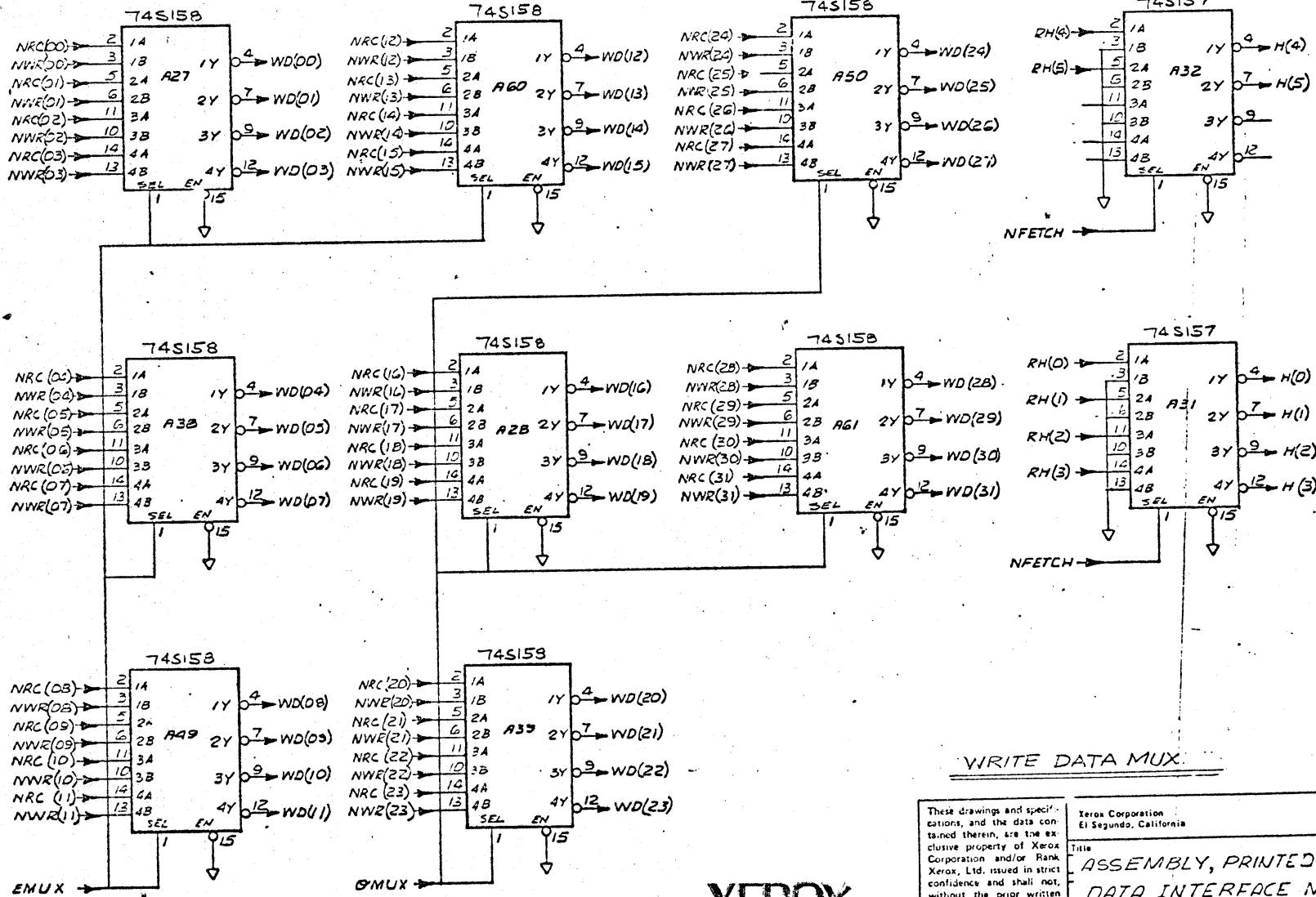
Dist. Code 8PG



**BUS INTERFACE AND WRITE DATA REGISTER**



These drawings and specifications, and the data contained therein, are the exclusive property of Xerox Corporation and/or Rank Xerox, Ltd. issued in strict confidence and shall not, without the prior written permission of Xerox Corporation or Rank Xerox, Ltd., be reproduced, copied or used for any purpose whatsoever, except the manufacture of articles for Xerox Corporation or Rank Xerox, Ltd.		Xerox Corporation El Segundo, California		<b>XEROX</b>	
<b>ASSEMBLY, PRINTED WIRING - DATA INTERFACE MODULE (EXTENDED MEMORY)</b>					
Code Ident.	Size	Des. No.		Change Level	
18338	C	217115		A	
Scale NONE	Do Not Scale Drawing		Sheet 6		



WRITE DATA MUX

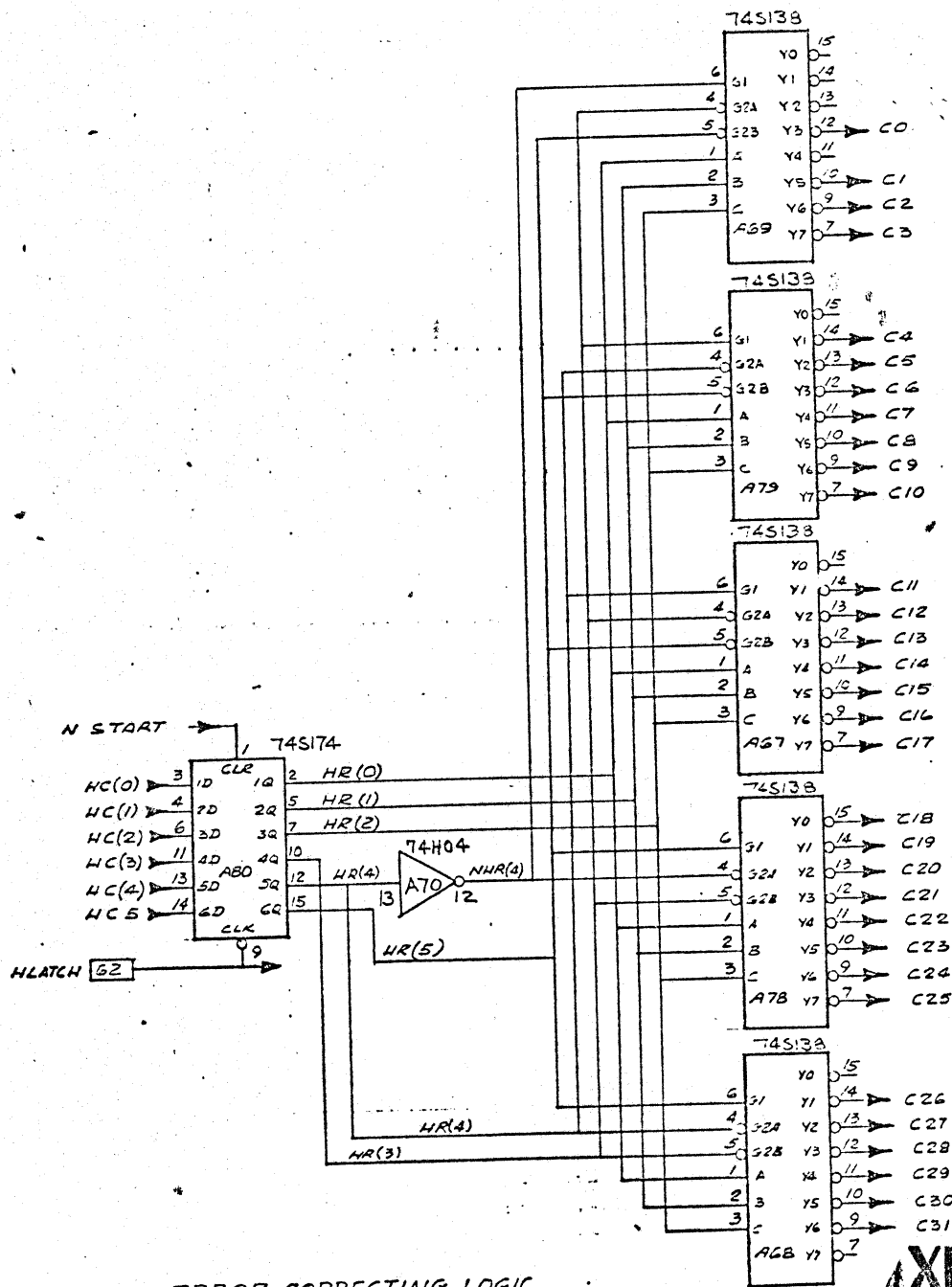
Dist. Code SPG

These drawings and specifications, and the data contained therein, are the exclusive property of Xerox Corporation and/or Rank Xerox, Ltd. issued in strict confidence and shall not, without the prior written permission of Xerox Corporation or Rank Xerox, Ltd., be reproduced, copied or used for any purpose whatsoever, except the manufacture of articles for Xerox Corporation or Rank Xerox, Ltd.

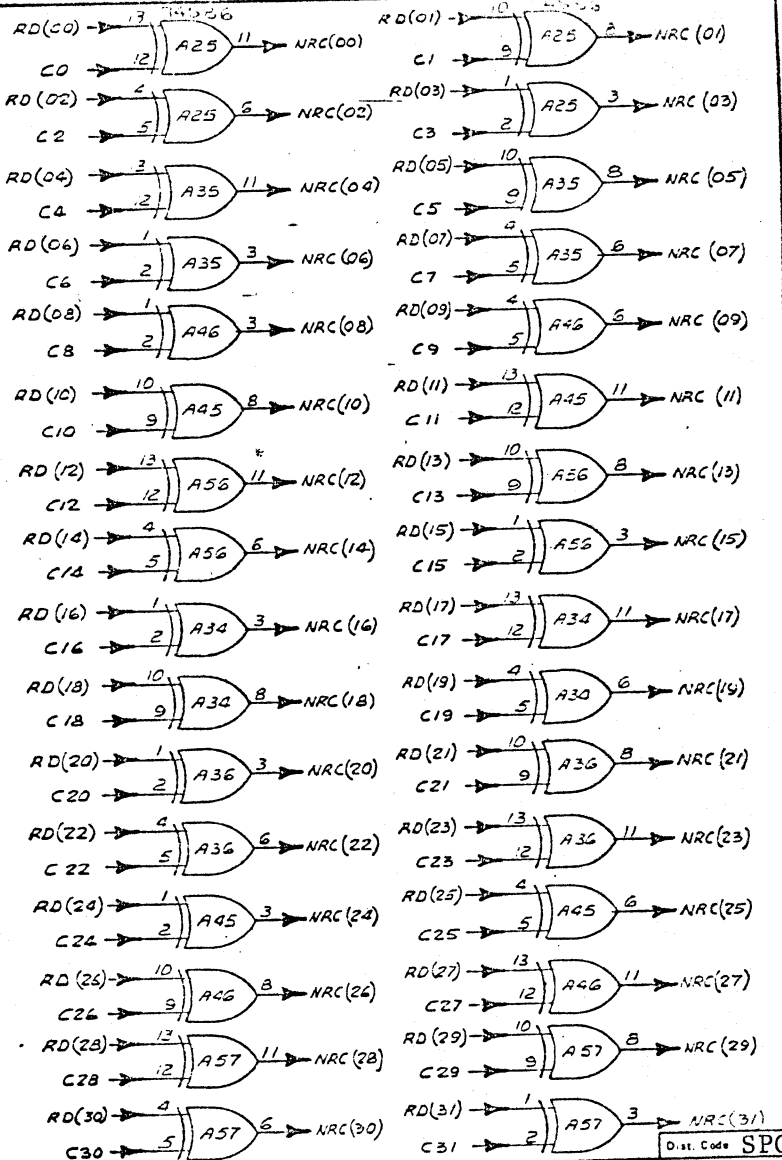
Xerox Corporation El Segundo, California			
<b>XEROX</b>			
Title <b>ASSEMBLY, PRINTED WIRING - DATA INTERFACE MODULE (EXTENDED MEMORY)</b>			
Code Ident. <b>18338</b>	Size <b>C</b>	Dwg. No. <b>217115</b>	Change Letter <b>A</b>
Scale		Do Not Scale Drawing	Sheet <b>7</b>



Xerox Corporation  
701 South Aviation Boulevard  
El Segundo, California 90245



ERROR CORRECTING LOGIC



These drawings and specifications, and the data contained therein, are the exclusive property of Xerox Corporation and/or Rank Xerox, Ltd. issued in strict confidence and shall not be reproduced, copied or used for any purpose whatsoever, except the manufacture of articles for Xerox Corporation or Rank Xerox, Ltd.

Xerox Corporation El Segundo, California		<b>XEROX</b>	
Title <b>ASSEMBLY PRINTED WIRING DATA INTERFACE MODULE (EXTENDED MEMORY)</b>			
Code Ident. <b>18338</b>	Size <b>C</b>	Dwg. No. <b>217115</b>	Sheet <b>A</b>
Scale	Do Not Scale Drawing	Sheet <b>6</b>	



G

F

E

C

B

A

5

4

3

2

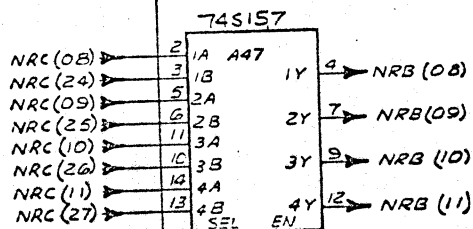
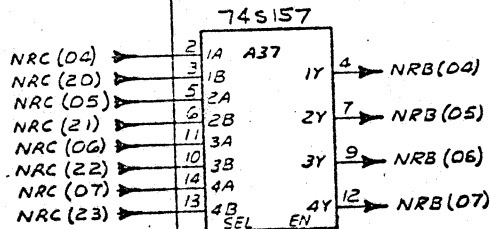
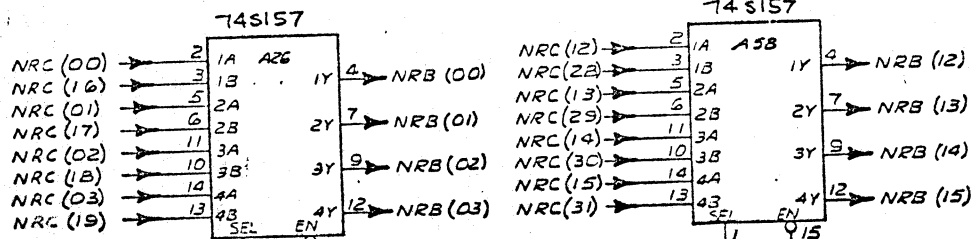
1

5

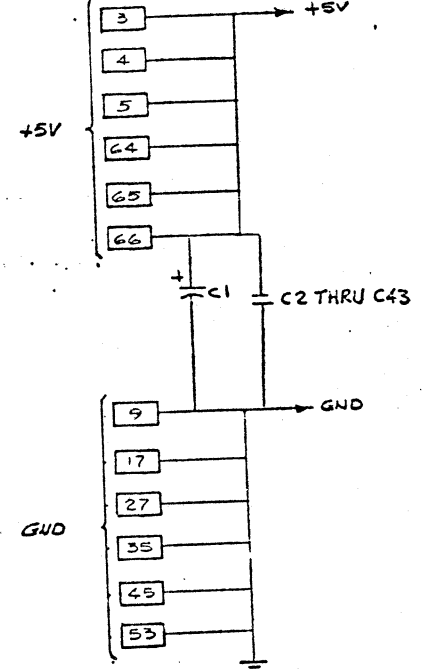
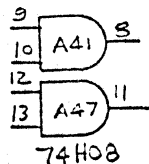
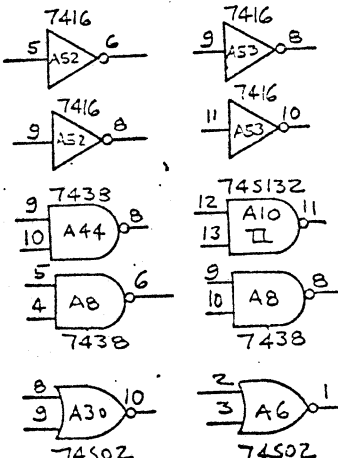
4

3

2



INPUT DATA MUX



XEROX

Xerox Corporation  
 701 South Aviation Boulevard  
 El Segundo, California 90245

Those drawing and specifications, and the data contained therein, are the exclusive property of Xerox Corporation and/or Rank Xerox, Ltd. issued in strict confidence and shall not, without the prior written permission of Xerox Corporation or Rank Xerox, Ltd., be reproduced, copied or used for any purpose whatsoever, except the manufacture of articles for Xerox Corporation or Rank Xerox, Ltd.		Xerox Corporation El Segundo, California		XEROX	
Title ASSEMBLY PRINTED WIRING DATA INTERFACE MODULE (EXTENDED MEMORY)					
Code Ident. 18338	Size C	Dwg. No. 217115	Sheet 9		
Scale		Do Not Scale Drawing		Sheet	

G

F

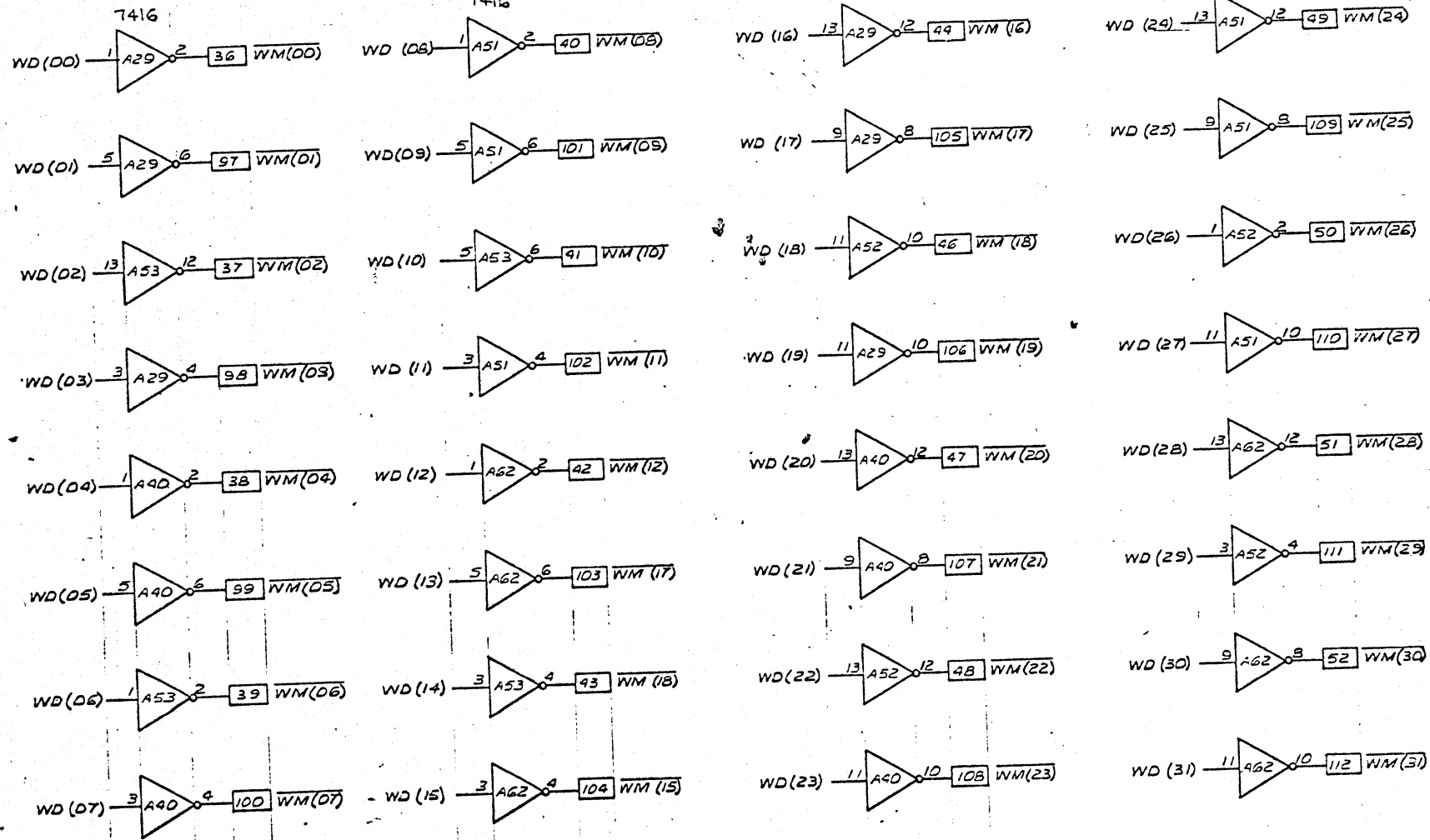
E

D

C

B

A



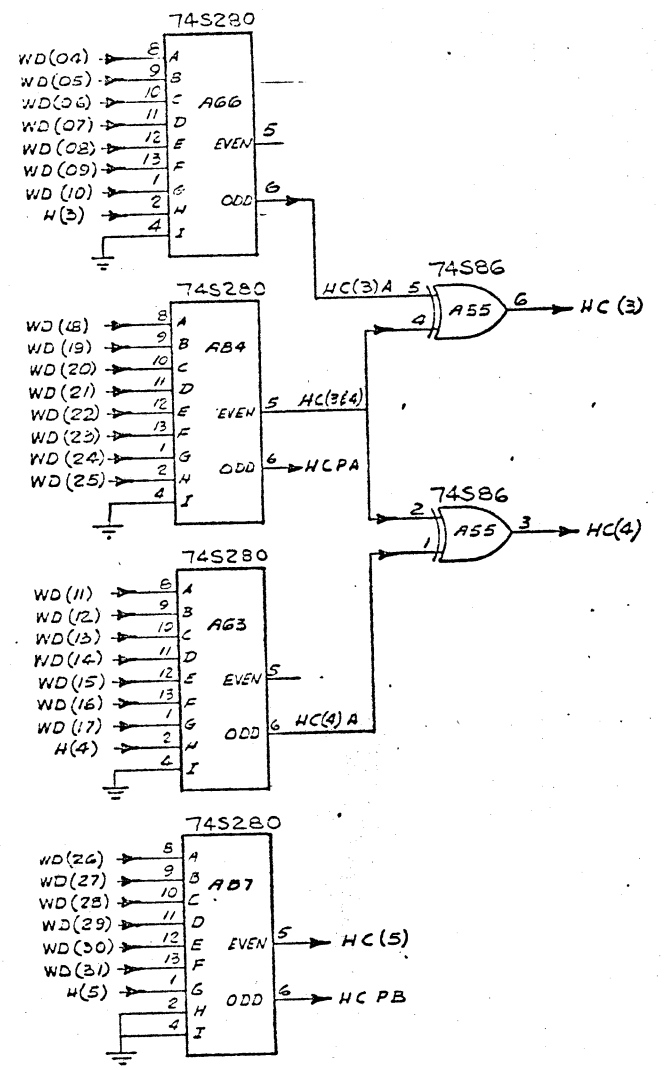
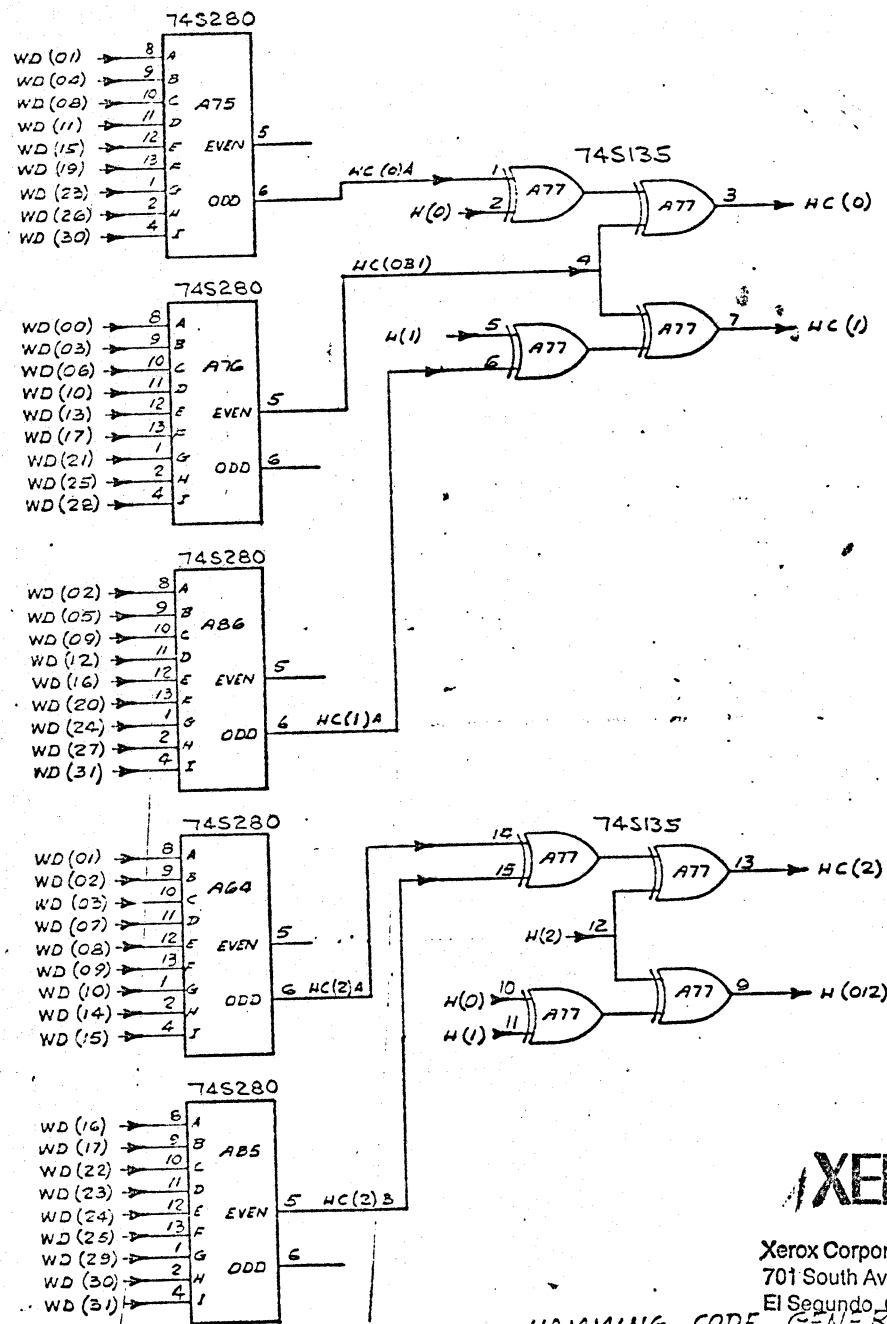
DATA OUTPUT

**XEROX**

Xerox Corporation  
701 South Aviation Boulevard  
El Segundo, California 90245

These drawings and specifications, and the data contained therein, are the exclusive property of Xerox Corporation and/or Rank Xerox, Ltd. Issued in strict confidence and shall not, without the prior written permission of Xerox Corporation or Rank Xerox, Ltd., be reproduced, copied or used for any purpose whatsoever, except the manufacture of articles for Xerox Corporation or Rank Xerox, Ltd.

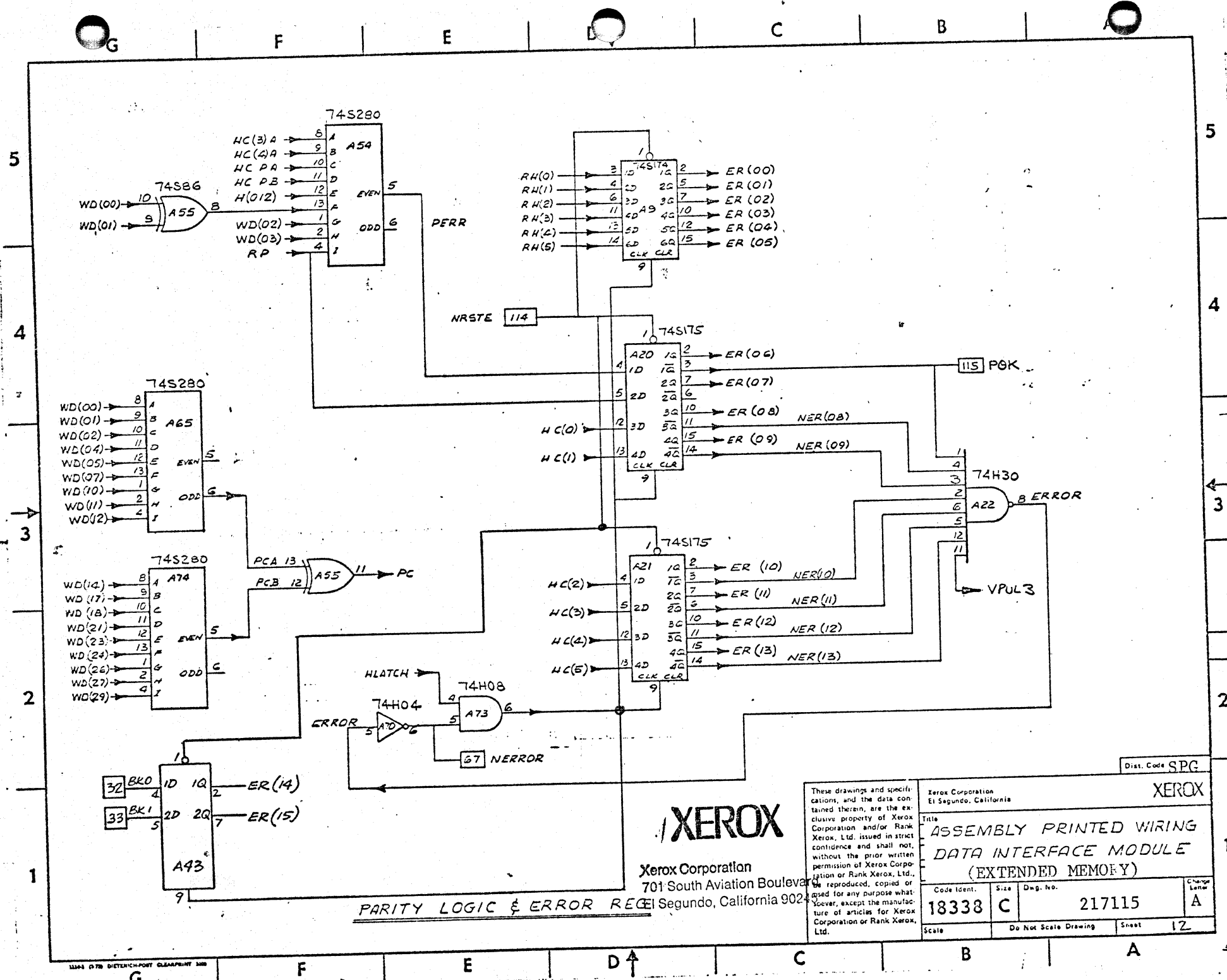
Xerox Corporation El Segundo, California		XEROX	
Title <b>ASSEMBLY PRINTED WIRING DATA INTERFACE MODULE (EXTENDED MEMORY)</b>			
Code Ident.	Size	Dwg. No.	Change Letter
18338	C	217115	A
Scale	Do Not Scale Drawing		Sheet 10



Xerox Corporation  
 701 South Aviation Boulevard  
 El Segundo, California 90245

HAMMING CODE GENERATOR

These drawings and specifications, and the data contained therein, are the exclusive property of Xerox Corporation and/or Rank Xerox, Ltd. issued in strict confidence and shall not, without the prior written permission of Xerox Corporation or Rank Xerox, Ltd., be reproduced, copied or used for any purpose whatsoever, except the manufacture of articles for Xerox Corporation or Rank Xerox, Ltd.		Xerox Corporation El Segundo, California		XEROX	
Title <b>ASSEMBLY, PRINTED WIRING - DATA INTERFACE MODULE (EXTENDED MEMORY)</b>					
Code Ident.	Size	Dwg. No.	Change Letter		
18338	C	217115	A		
Scale		Do Not Scale Drawing		Sheet 11	



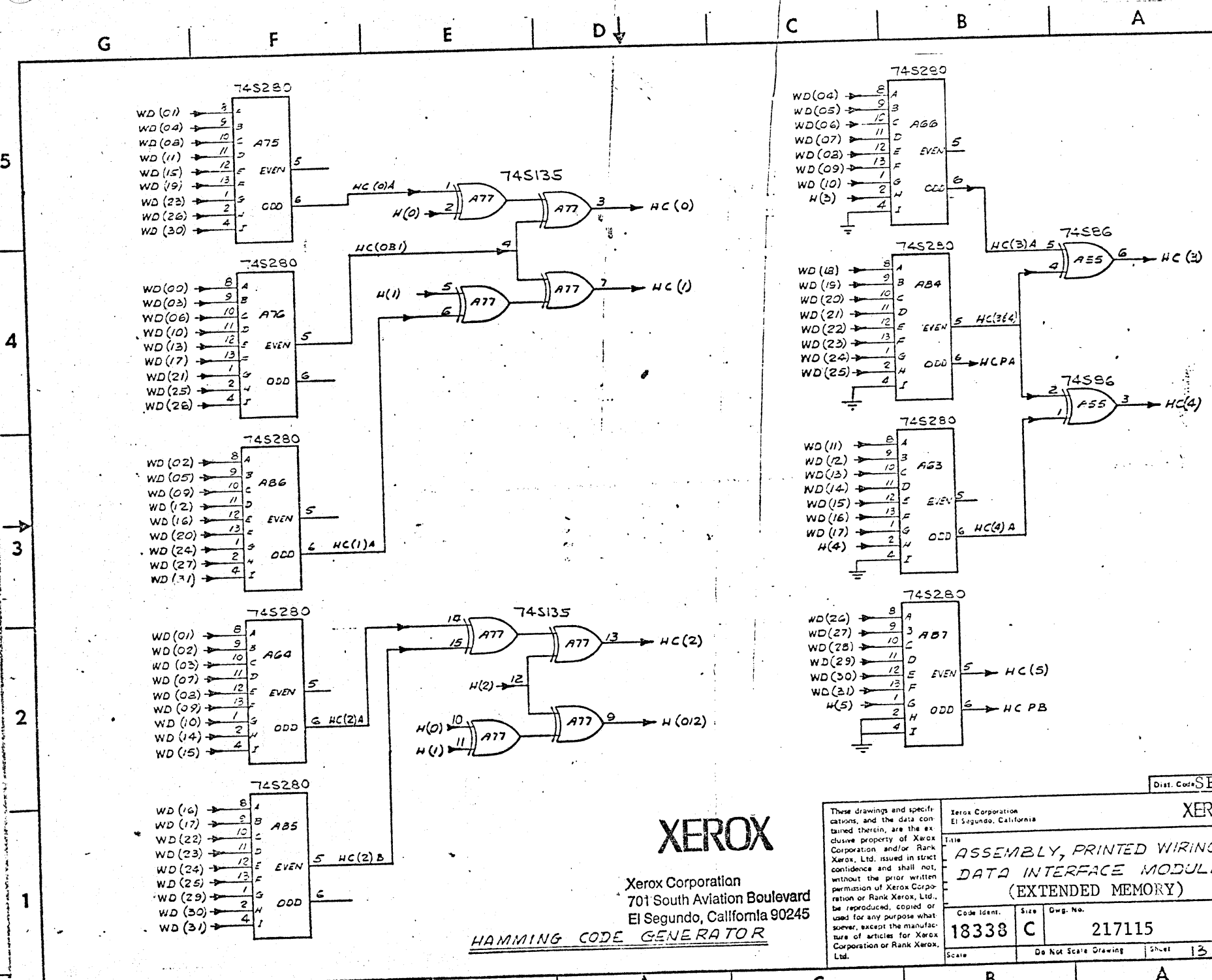
PARITY LOGIC & ERROR RECEIVER



Xerox Corporation  
701 South Aviation Boulevard  
El Segundo, California 90245

These drawings and specifications, and the data contained therein, are the exclusive property of Xerox Corporation and/or Rank Xerox, Ltd. issued in strict confidence and shall not, without the prior written permission of Xerox Corporation or Rank Xerox, Ltd., be reproduced, copied or used for any purpose whatsoever, except the manufacture of articles for Xerox Corporation or Rank Xerox, Ltd.

Xerox Corporation El Segundo, California		XEROX	
Title <b>ASSEMBLY PRINTED WIRING DATA INTERFACE MODULE (EXTENDED MEMORY)</b>			
Code Ident. <b>18338</b>	Size <b>C</b>	Dwg. No. <b>217115</b>	Change Letter <b>A</b>
Scale	Do Not Scale Drawing	Sheet	<b>12</b>



**XEROX**

Xerox Corporation  
 701 South Aviation Boulevard  
 El Segundo, California 90245

HAMMING CODE GENERATOR

These drawings and specifications, and the data contained therein, are the exclusive property of Xerox Corporation and/or Rank Xerox, Ltd. issued in strict confidence and shall not, without the prior written permission of Xerox Corporation or Rank Xerox, Ltd., be reproduced, copied or used for any purpose whatsoever, except the manufacture of articles for Xerox Corporation or Rank Xerox, Ltd.

Xerox Corporation El Segundo, California		XEROX	
Title <b>ASSEMBLY, PRINTED WIRING - DATA INTERFACE MODULE (EXTENDED MEMORY)</b>			
Code Ident. <b>18338</b>	Size <b>C</b>	Dwg. No. <b>217115</b>	Sheet <b>A</b>
Scale		Do Not Scale Drawing	