

Revisions				216645	B
LAL	Rev.	Description	Chk	Date	Approved
	A	ENGRG RELEASE	<i>RF</i>	11-4-77	<i>R. Freeman</i>
	B	SH 6 ADDED PINOUTS, CHGD SIGNAL NAMES: BK(0) WAS BS(0), BK(1) WAS BS(1). NOTE 2 ADDED WIRES 51 & 52.	<i>BN</i>	11-22-77	<i>R. Freeman</i>

**ENGINEERING
RELEASE**

THIS DOCUMENT CONTAINS 15 SHEETS

Dist Code SPG

<p>These drawings and specifications, and the data contained therein, are the exclusive property of Xerox Corporation and/or Rank Xerox, Ltd. issued in strict confidence and shall not, without the prior written permission of Xerox Corporation or Rank Xerox, Ltd., be reproduced, copied or used for any purpose whatsoever, except the manufacture of articles for Xerox Corporation or Rank Xerox, Ltd.</p>	Notes Unless Specified	Drawn <i>M. K. ...</i> 8-12-77	Xerox Corporation El Segundo, California			XEROX
	1. Tolerances .XX ±.03 Angular ±½° .XXX ±.010	Check	Title <i>XM</i> ASSEMBLY, PRINTED WIRING- MEMORY ADDRESS INTERFACE (EXTENDED MEMORY)			
	2. Break All Sharp Edges .010 Approx.	Appr. <i>R. Freeman</i> 11-4-77				
	3. Mach. Surfaces <input checked="" type="checkbox"/>	Material	Dwg. No. 216645			
4. All Dim. in Inches		Code Ident. 18338	Size A	216645		
Part No. Use ALTO II	Finish	Scale -	Do Not Scale Drawing		Sheet 1 OF	
Next Assy. First Use 216647						

NOTES: UNLESS OTHERWISE SPECIFIED

1. MAKE FROM ASSY, P.W.-MEMORY ADDRESS INTERFACE, P/N 216347 REVISION G.
2. THE FOLLOWING MODIFICATIONS ARE REQUIRED TO CONVERT ALTO II AIM MODULE, P/N 216347 REV. G, FOR 128K EXTENDED MEMORY APPLICATION:

- | | | | | |
|-----|------------------|--------|-----|-----------------------------------|
| 1) | CUT ETCH BETWEEN | A7-11 | AND | A9 -3. (COMP. SIDE) |
| 2) | | A9-2 | | A22-5. (ETCH SIDE) |
| 3) | | A9-1 | | FEEDTHRU. (ETCH SIDE) |
| 4) | | A26-13 | | FEEDTHRU. (COMP. SIDE) |
| 5) | | A26-10 | | A23-12. (COMP. SIDE) |
| 6) | | A26-6 | | FEEDTHRU. (ETCH SIDE) |
| 7) | | A26-3 | | A23-7. (COMP. SIDE) |
| 8) | | A25-13 | | A23-5. (COMP. SIDE) |
| 9) | | A25-10 | | FEEDTHRU. (ETCH SIDE) |
| 10) | | A38-6 | | A39-5. (COMP. SIDE) |
| 11) | | A38-5 | | A34-12. (COMP. SIDE) |
| 12) | | A38-4 | | FEEDTHRU. (COMP. SIDE) |
| 13) | | A12-1 | | FEEDTHRU UNDER A52. (COMP. SIDE) |
| 14) | | A12-2 | | A31-13. (COMP. SIDE) |
| 15) | | A33-2 | | FEEDTHRU. (ETCH SIDE) |
| 16) | | A38-12 | | FEEDTHRU NEAR A22-9. (COMP. SIDE) |
| 17) | | A38-13 | | FEEDTHRU. (ETCH SIDE) |
| 18) | CUT ETCH BETWEEN | A46-10 | AND | A59-9. (ETCH SIDE) |
| 19) | | | | |
| 20) | | | | |
| 21) | ADD WIRE FROM | PIN 20 | TO | A15-14. |
| 22) | | PIN 21 | | A15-13. |
| 23) | | A15-12 | | A9-3. |
| 24) | | A7-11 | | A9-1 |
| 25) | | A15-9 | | A22-9. |
| 26) | | A9-2 | | A15-15. |
| 27) | | A22-5 | | A25-6. |
| 28) | | A22-7 | | A25-10. |
| 29) | | A23-2 | | A25-13. |
| 30) | | A23-5 | | A26-3. |
| 31) | | A23-7 | | A26-6. |
| 32) | | A23-10 | | A26-10. |
| 33) | | A23-12 | | A26-13. |
| 34) | | A23-15 | | A25-5. |
| 35) | | A25-7 | | A39-1. |
| 36) | | A38-5 | | A41-13. |
| 37) | | A41-12 | | A34-13. |
| 38) | | A41-11 | | A34-4. |
| 39) | | A12-1 | | A12-2. |
| 40) | | A12-2 | | A38-6. |
| 41) | | A38-11 | | A38-4. |
| 42) | | A38-12 | | A50-8. |
| 43) | | A38-13 | | A31-13. |
| 44) | | A15-1 | | A22-1. |
| 45) | | A33-2 | | A46-11. |
| 46) | | A46-13 | | PIN 99. |
| 47) | ADD WIRE FROM | A46-12 | TO | PIN 63. |

These drawings and specifications, and the data contained therein, are the exclusive property of Xerox Corporation and/or Rank Xerox, Ltd. issued in strict confidence and shall not, without the prior written permission of Xerox Corporation or Rank Xerox, Ltd., be reproduced, copied or used for any purpose whatsoever, except the manufacture of articles for Xerox Corporation or Rank Xerox, Ltd.

Title
 - ASSY, PRINTED WIRING-
 MEMORY ADDRESS INTFC
 (EXTENDED MEMORY)

Xerox Corporation
 El Segundo, California

XEROX

216645

B

Sheet 2 Of

NOTE 2 CONT'D

- 48) ADD WIRE FROM PIN 24 TO A30-4.
- 49) ADD WIRE FROM A59-8 TO A30-5.
- 50) ADD WIRE FROM A46-10 TO A30-6.
- 51) ADD WIRE FROM A15-12 TO PIN 11.
- 52) ADD WIRE FROM A15-15 TO PIN 12.
- 53)
- 54) INSTALL MICROCIRCUIT 74174 (ITEM 2) IN LOCATION A15.

3 RUBBER STAMP "ASSY 216645" .12 HIGH, WHITE CHARACTERS.

4 RUBBER STAMP "EXTN MEM." .12 HIGH, WHITE CHARACTERS.

These drawings and specifications, and the data contained therein, are the exclusive property of Xerox Corporation and/or Rank Xerox, Ltd. issued in strict confidence and shall not, without the prior written permission of Xerox Corporation or Rank Xerox, Ltd., be reproduced, copied or used for any purpose whatsoever, except the manufacture of articles for Xerox Corporation or Rank Xerox, Ltd.

Title
 ASSY, PRINTED WIRING-
 MEMORY ADDRESS INTFC
 (EXTENDED MEMORY)

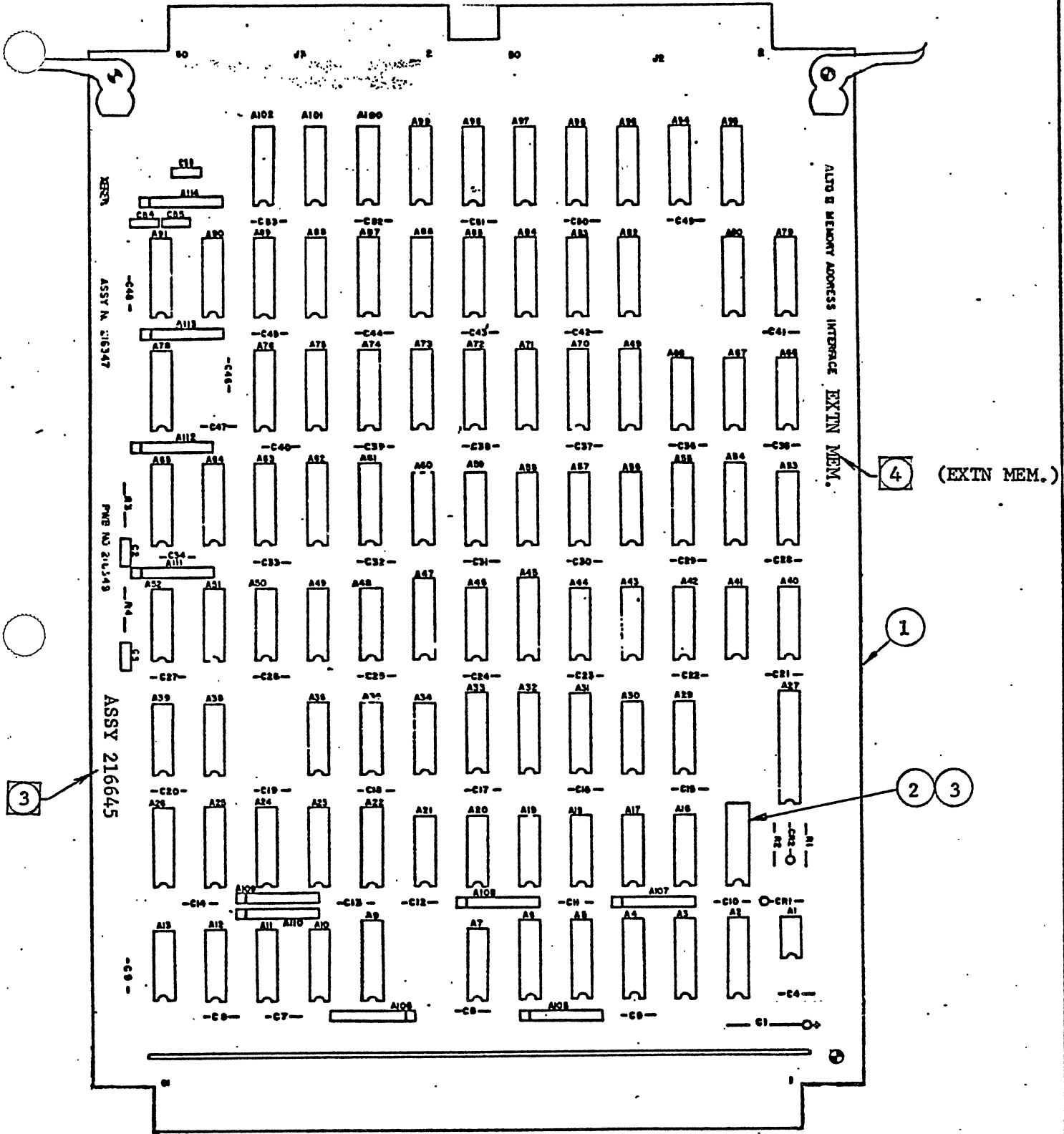
Xerox Corporation
 El Segundo, California

XEROX

216645

B

Sheet 3 Of



drawings and specifications, and the data contained therein, are the exclusive property of Xerox Corporation and/or Rank Xerox, Ltd. issued in strict confidence and shall not, without the prior written permission of Xerox Corporation or Rank Xerox, Ltd., be reproduced, copied or used for any purpose whatsoever, except the manufacture of articles for Xerox Corporation or Rank Xerox, Ltd.

Title
ASSEMBLY, PRINTED WIRING--
MEMORY ADDRESS INTERFACE
(EXTENDED MEMORY)

Xerox Corporation El Segundo, California		XEROX
216645	B	
Sheet 4	Of	

Material List

ML	Drawing No. 216645	Rev. B
-----------	-----------------------	-----------

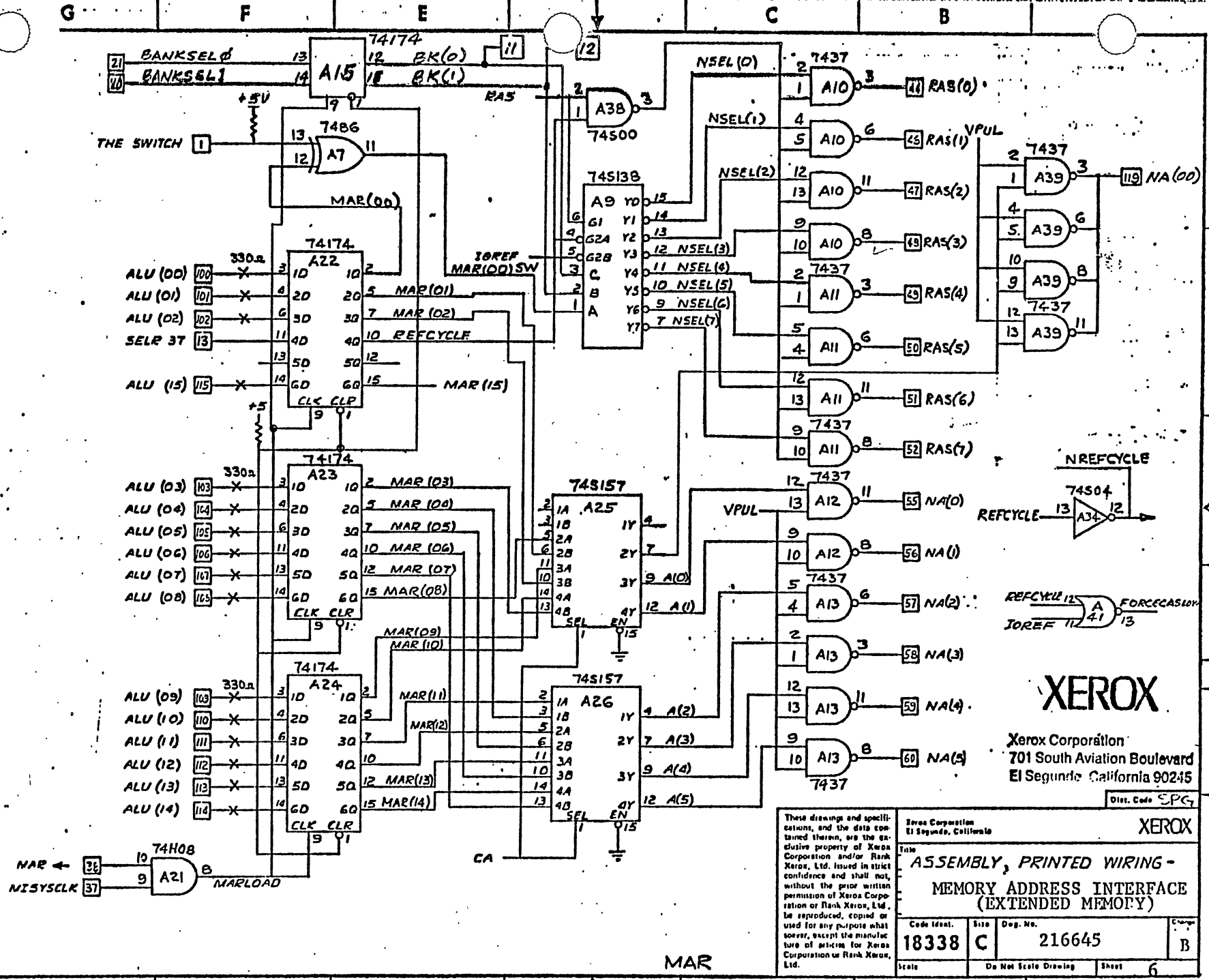
Drawing No.
 216645
ML

Drawing Title
**ASSEMBLY, PRINTED WIRING-
 MEMORY ADDRESS INTERFACE
 (EXTENDED MEMORY)**

These drawings and specifications, and the data contained therein, are the exclusive property of Xerox Corporation and/or Rank Xerox, Ltd. issued in strict confidence and shall not, without the prior written permission of Xerox Corporation or Rank Xerox, Ltd., be reproduced, copied or used for any purpose whatsoever, except the manufacture of articles for Xerox Corporation or Rank Xerox, Ltd.

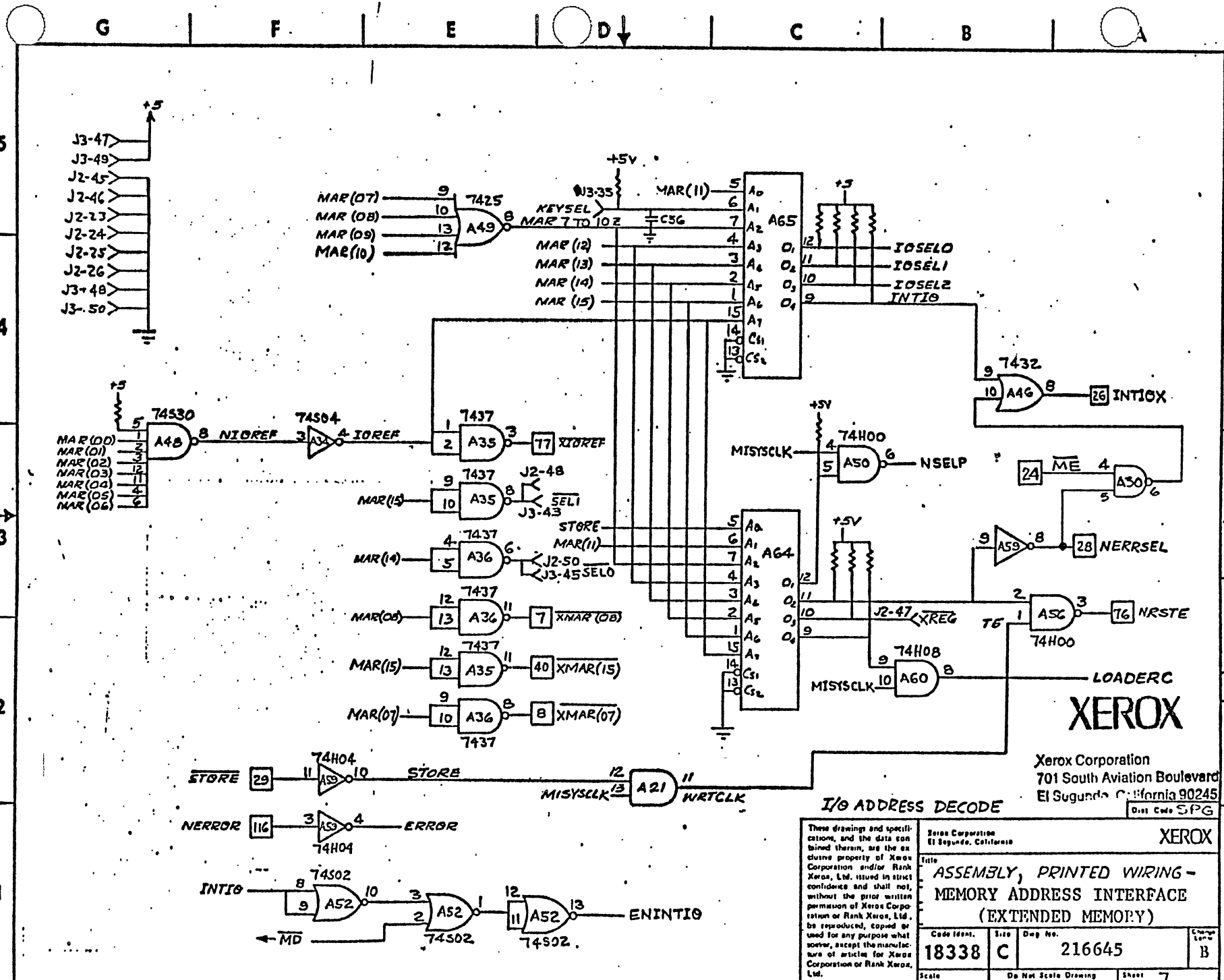
Model No. ALTO II	Date 11/2/77	Sheet 5 of
----------------------	-----------------	---------------

Item No.	Drawing Title	Drawing No.	No. Req.	Remarks
1	Assy, PW - Memory Address Interface	216347	1	
2	Microcircuit 74174		1	A15
3	Socket Augat # 516-AG11D		1	A15



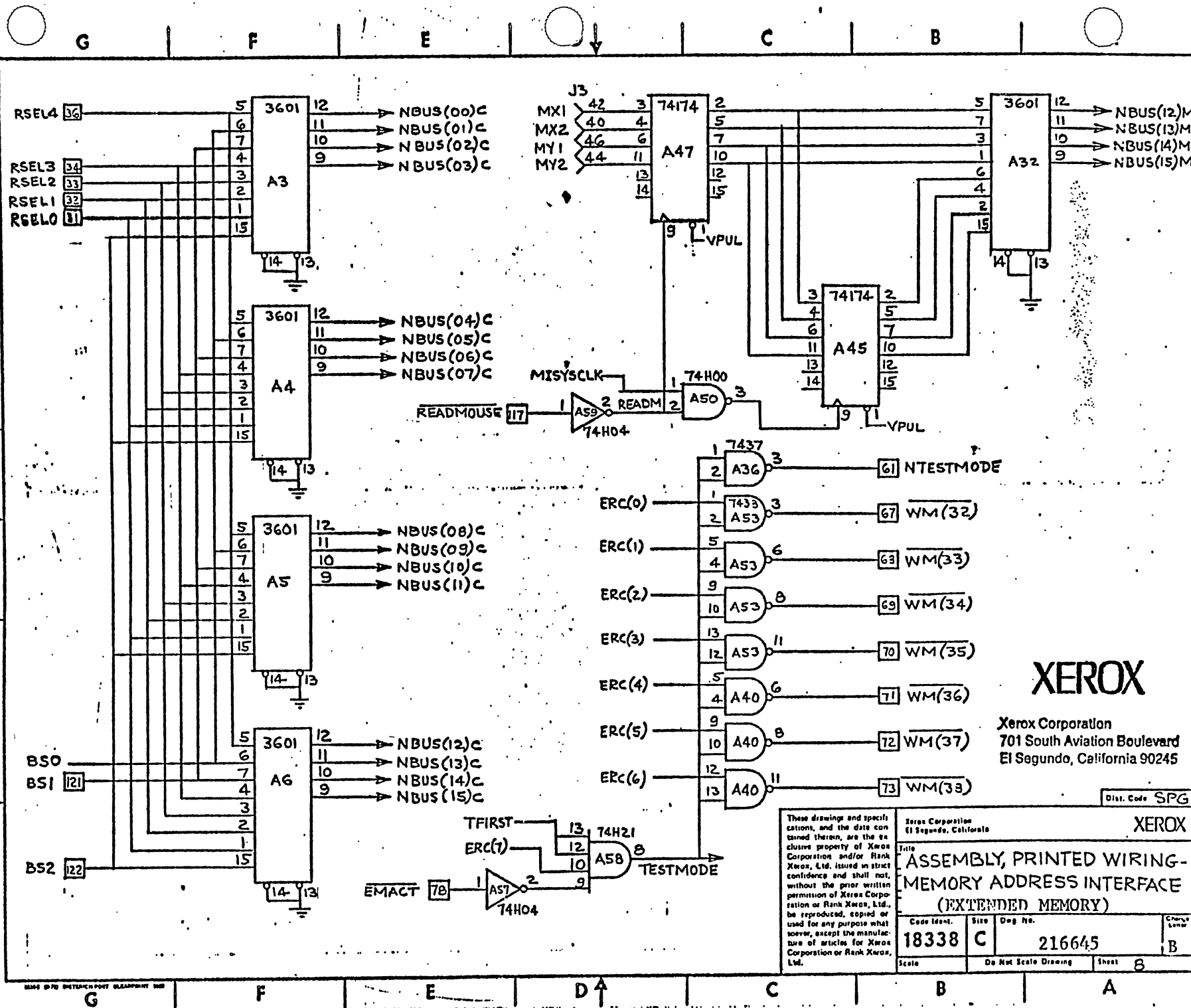
XEROX
 Xerox Corporation
 701 South Aviation Boulevard
 El Segundo, California 90245

These drawings and specifications, and the data contained therein, are the exclusive property of Xerox Corporation and/or Rank Xerox, Ltd. Issued in strict confidence and shall not, without the prior written permission of Xerox Corporation or Rank Xerox, Ltd., be reproduced, copied or used for any purpose whatsoever, except the manufacture of articles for Xerox Corporation or Rank Xerox, Ltd.		Xerox Corporation El Segundo, California		XEROX	
Title ASSEMBLY, PRINTED WIRING - MEMORY ADDRESS INTERFACE (EXTENDED MEMORY)					
Code Ident.	Size	Dep. No.	Change		
18338	C	216645	B		
Scale	Do Not Scale Drawing		Sheet 6		



Xerox Corporation
 701 South Aviation Boulevard
 El Segundo, California 90245
 Dist Code SPG

I/O ADDRESS DECODE			
These drawings and specifications, and the data contained therein, are the exclusive property of Xerox Corporation and/or Rank Xerox, Ltd. issued in strict confidence and shall not, without the prior written permission of Xerox Corporation or Rank Xerox, Ltd., be reproduced, copied or used for any purpose whatsoever, except the manufacture of articles for Xerox Corporation or Rank Xerox, Ltd.		Xerox Corporation El Segundo, California XEROX	
Title ASSEMBLY, PRINTED WIRING - MEMORY ADDRESS INTERFACE (EXTENDED MEMORY)			
Code Ident. 18338	Size C	Doc No. 216645	Change Level B
Scale	Do Not Scale Drawing		Sheet 7



XEROX

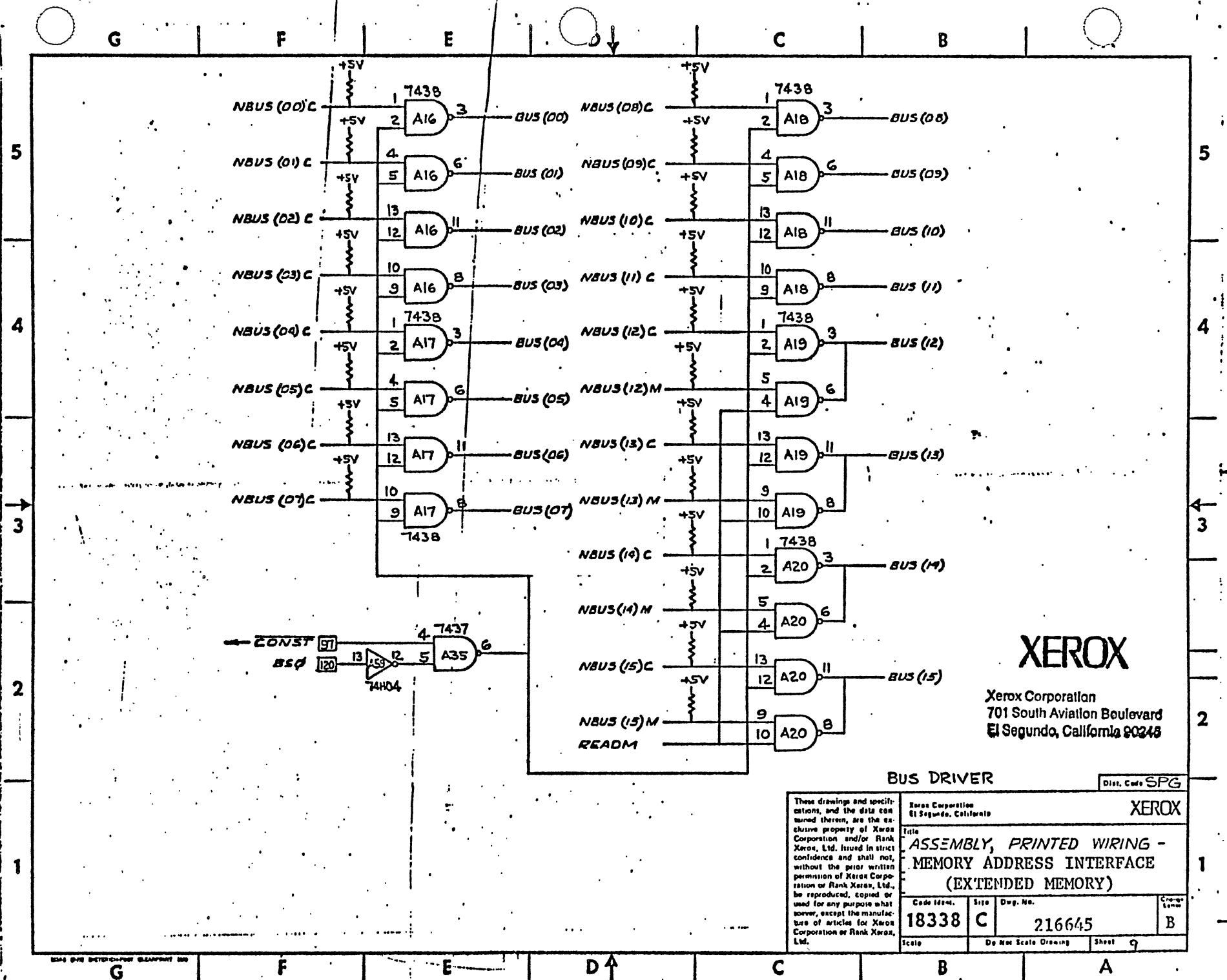
Xerox Corporation
701 South Aviation Boulevard
El Segundo, California 90245

Dist. Code SPG

These drawings and specifications, and the data contained therein, are the exclusive property of Xerox Corporation and/or Rank Xerox, Ltd. issued in strict confidence and shall not, without the prior written permission of Xerox Corporation or Rank Xerox, Ltd., be reproduced, copied or used for any purpose whatsoever, except the manufacture of articles for Xerox Corporation or Rank Xerox, Ltd.

Xerox Corporation El Segundo, California		XEROX	
Title ASSEMBLY, PRINTED WIRING-MEMORY ADDRESS INTERFACE (EXTENDED MEMORY)			
Code Ident. 18338	Size C	Doc No. 216645	Chg. Level B
Scale	Do Not Scale Drawing		Sheet B

MMAS 0170 INTERCONNECT DIAGRAMS



XEROX

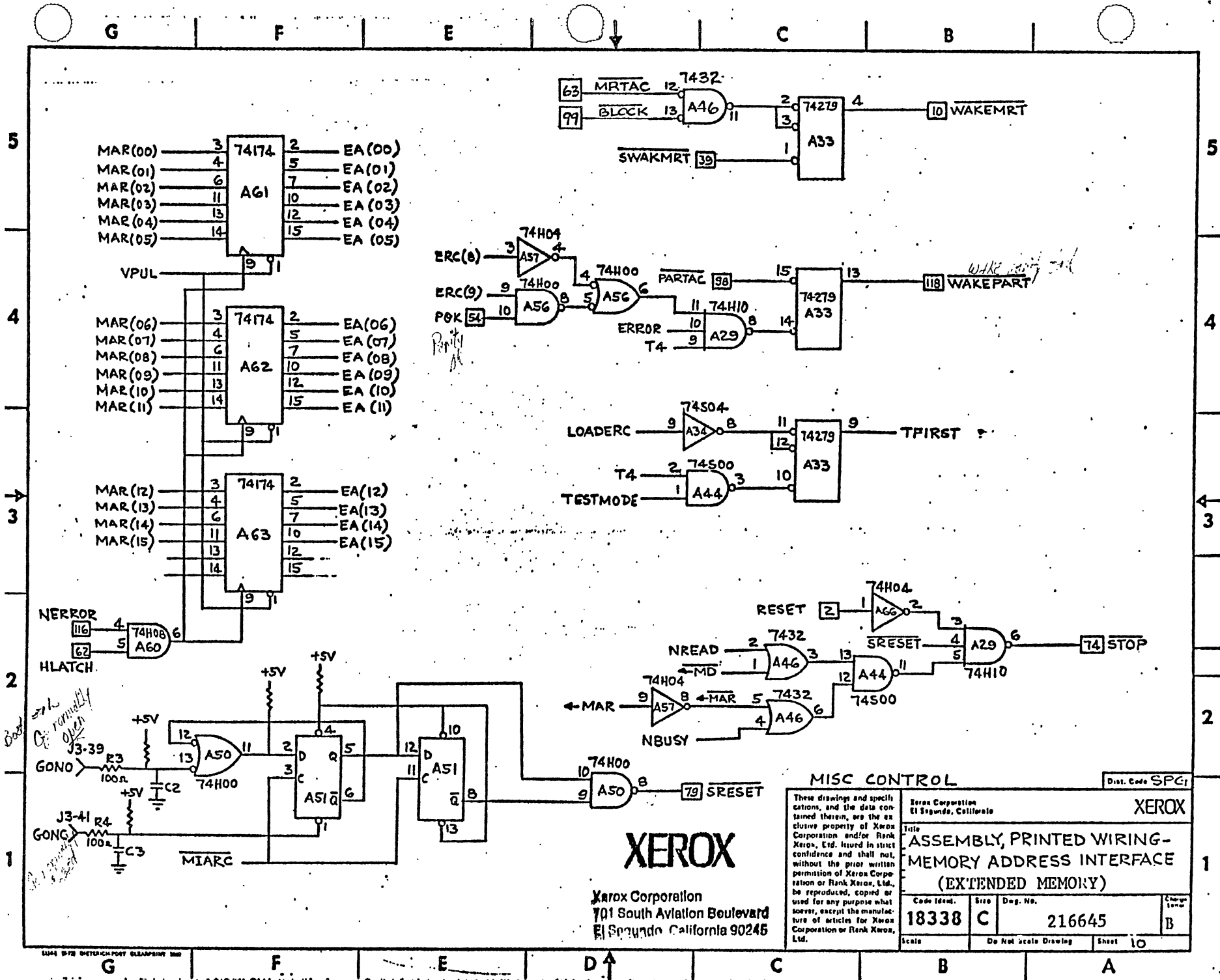
Xerox Corporation
701 South Aviation Boulevard
El Segundo, California 90248

BUS DRIVER

Dist. Code **SPG**

These drawings and specifications, and the data contained therein, are the exclusive property of Xerox Corporation and/or Rank Xerox, Ltd. Issued in strict confidence and shall not, without the prior written permission of Xerox Corporation or Rank Xerox, Ltd., be reproduced, copied or used for any purpose whatsoever, except the manufacture of articles for Xerox Corporation or Rank Xerox, Ltd.

Xerox Corporation El Segundo, California		XEROX	
Title ASSEMBLY, PRINTED WIRING - MEMORY ADDRESS INTERFACE (EXTENDED MEMORY)			
Code Ident.	Site	Des. No.	Group Letter
18338	C	216645	B
Scale	Do Not Scale Drawing		Sheet 9



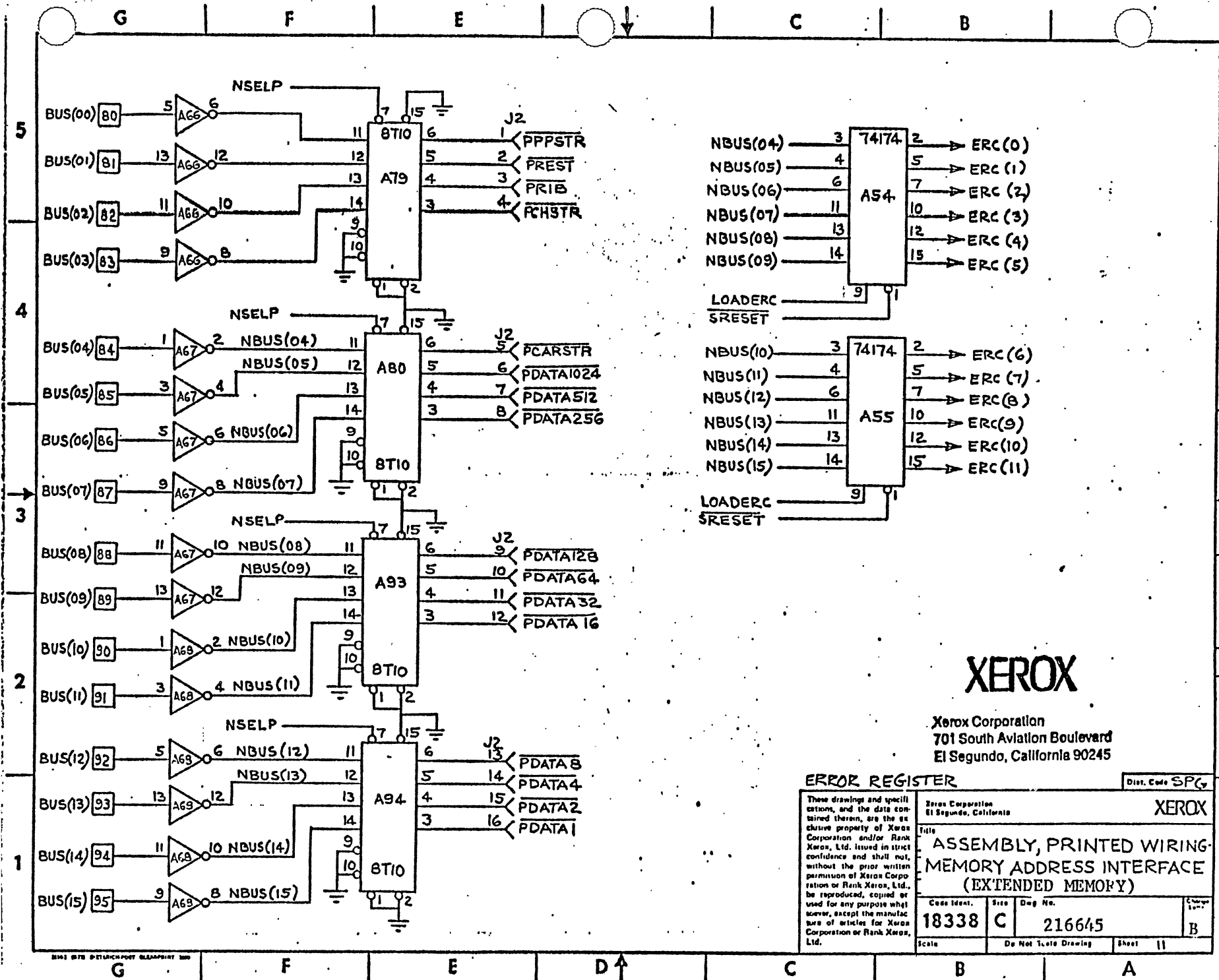
XEROX

Xerox Corporation
 701 South Aviation Boulevard
 El Segundo, California 90245

MISC CONTROL

These drawings and specifications, and the data contained therein, are the exclusive property of Xerox Corporation and/or Rank Xerox, Ltd. Issued in strict confidence and shall not, without the prior written permission of Xerox Corporation or Rank Xerox, Ltd., be reproduced, copied or used for any purpose whatsoever, except the manufacture of articles for Xerox Corporation or Rank Xerox, Ltd.		Xerox Corporation El Segundo, California		XEROX	
Title ASSEMBLY, PRINTED WIRING-MEMORY ADDRESS INTERFACE (EXTENDED MEMORY)					
Code Ident.	Size	Dep. No.	Chg. Item		
18338	C	216645	B		
Scale	Do Not scale Drawing		Sheet 10		

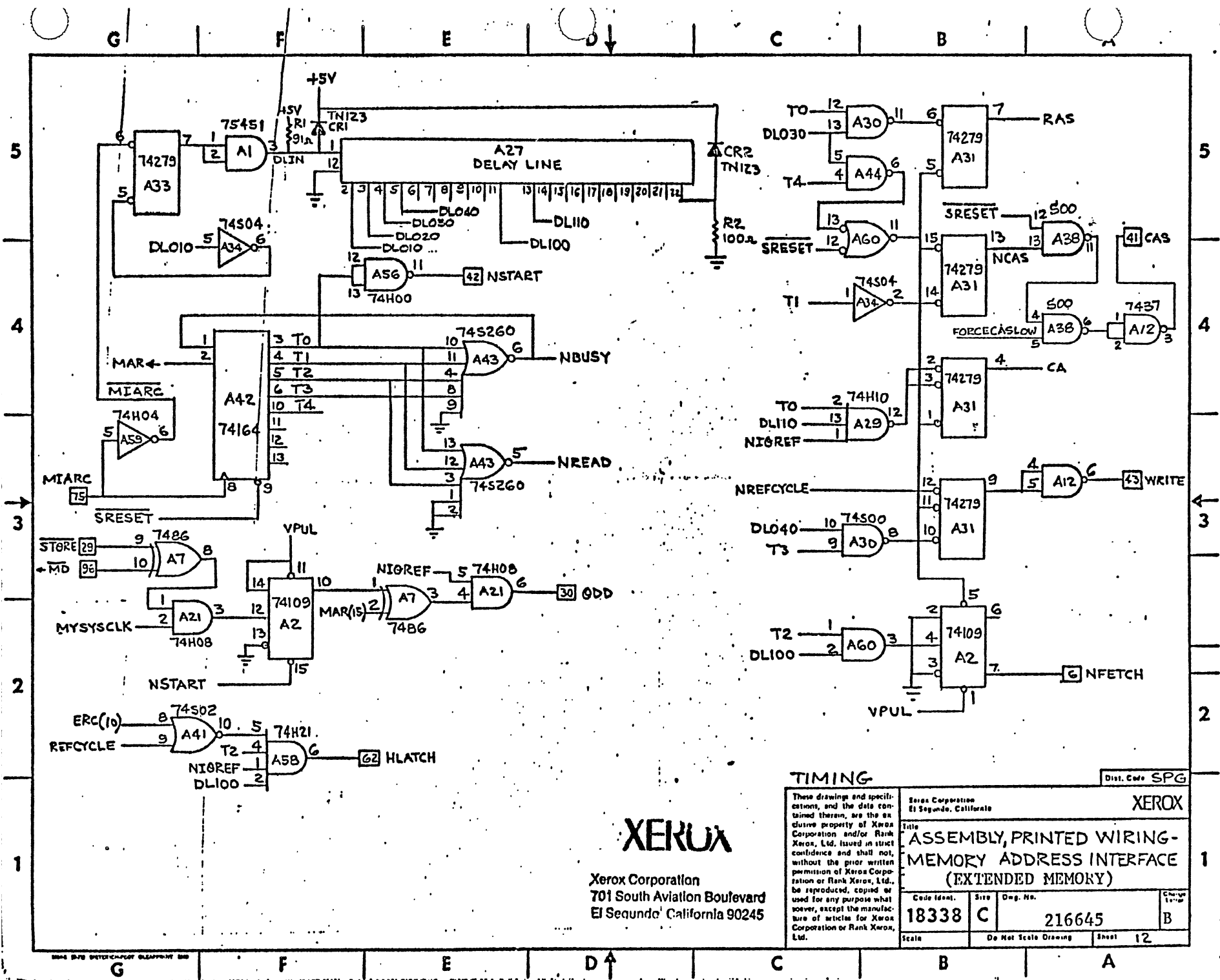
1044 BY2 INTERCH-PORT CLEARPRINT 100



XEROX

Xerox Corporation
 701 South Aviallon Boulevard
 El Segundo, California 90245

ERROR REGISTER				Dist. Code SPG
These drawings and specifications, and the data contained therein, are the exclusive property of Xerox Corporation and/or Rank Xerox, Ltd. issued in strict confidence and shall not, without the prior written permission of Xerox Corporation or Rank Xerox, Ltd., be reproduced, copied or used for any purpose whatsoever, except the manufacture of articles for Xerox Corporation or Rank Xerox, Ltd.		Xerox Corporation El Segundo, California		XEROX
Title ASSEMBLY, PRINTED WIRING-MEMORY ADDRESS INTERFACE (EXTENDED MEMORY)				
Case Ident.	Site	Des. No.	Change	
18338	C	216645	B	
Scale	Do Not Scale Drawing		Sheet 11	



XEROX

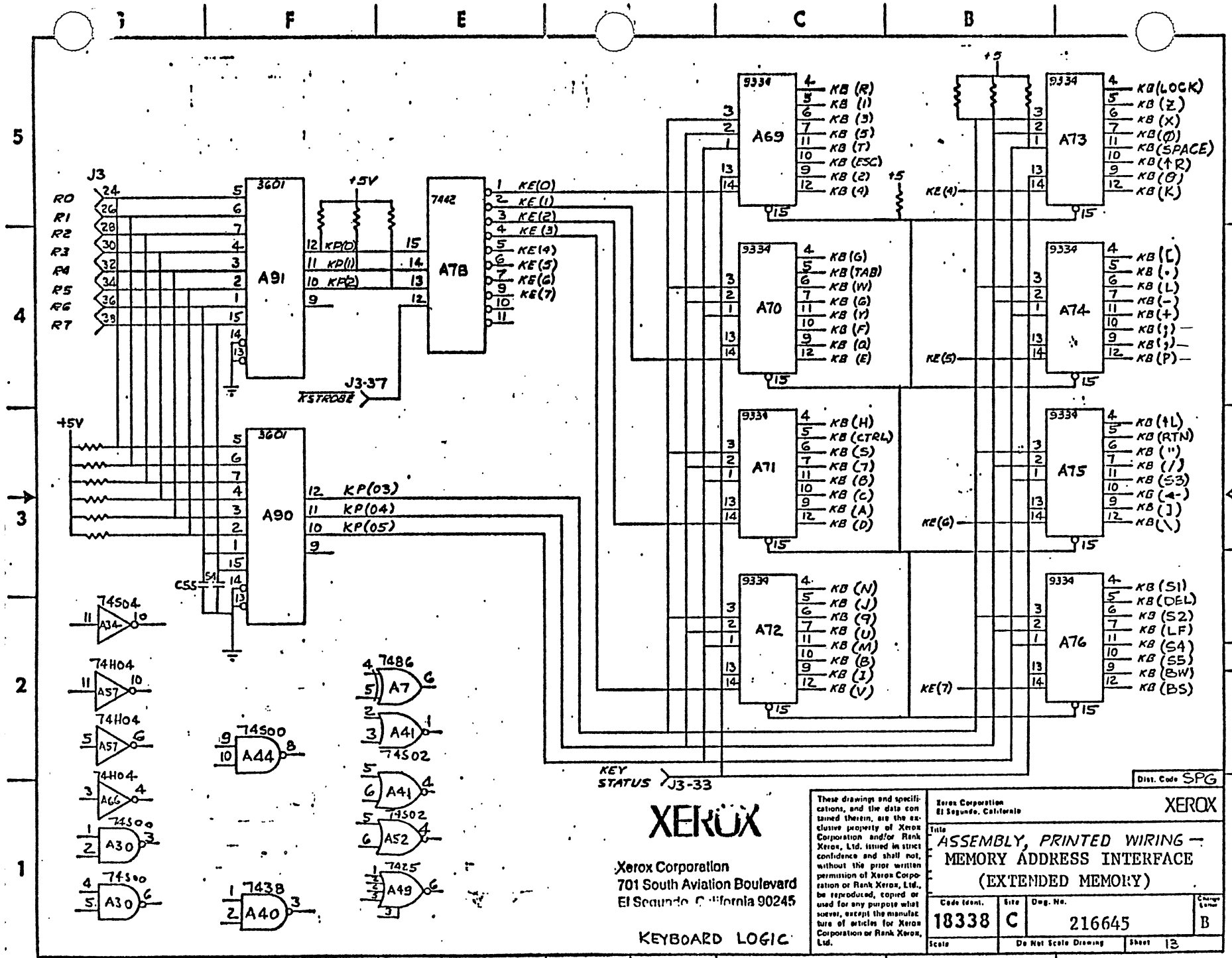
Xerox Corporation
701 South Aviation Boulevard
El Segundo, California 90245

TIMING

These drawings and specifications, and the data contained therein, are the exclusive property of Xerox Corporation and/or Rank Xerox, Ltd. issued in strict confidence and shall not, without the prior written permission of Xerox Corporation or Rank Xerox, Ltd., be reproduced, copied or used for any purpose whatsoever, except the manufacture of articles for Xerox Corporation or Rank Xerox, Ltd.

Xerox Corporation El Segundo, California		XEROX	
Title ASSEMBLY, PRINTED WIRING-MEMORY ADDRESS INTERFACE (EXTENDED MEMORY)			
Code Ident.	Size	Des. No.	Change
18338	C	216645	B
Scale		Do Not Scale Drawing	Sheet 12

Dist. Ctr. SPG



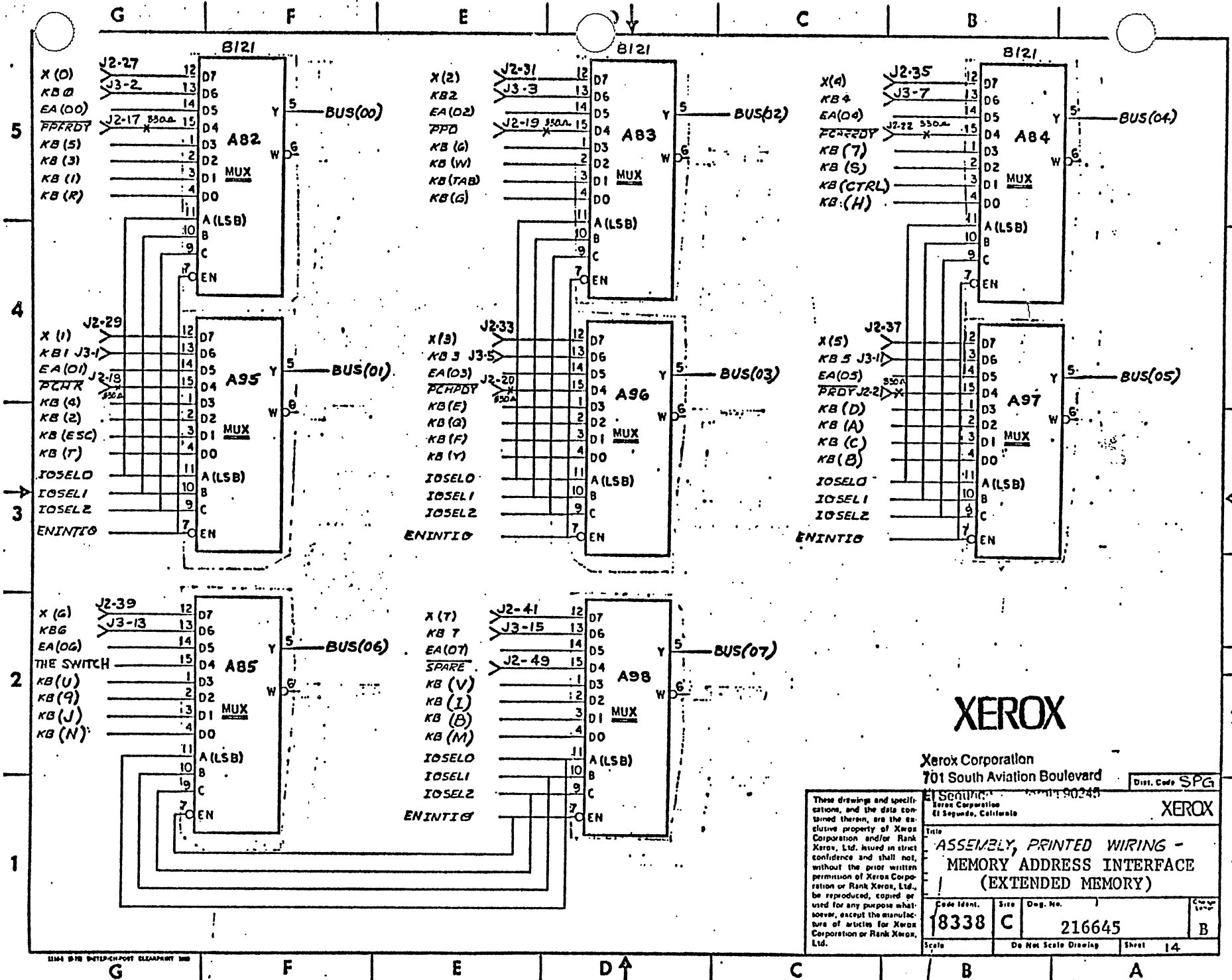
XEROX

Xerox Corporation
701 South Aviation Boulevard
El Segundo, California 90245

KEYBOARD LOGIC

These drawings and specifications, and the data contained therein, are the exclusive property of Xerox Corporation and/or Rank Xerox, Ltd. issued in strict confidence and shall not, without the prior written permission of Xerox Corporation or Rank Xerox, Ltd., be reproduced, copied or used for any purpose whatsoever, except the manufacture of articles for Xerox Corporation or Rank Xerox, Ltd.

Xerox Corporation El Segundo, California		XEROX	
Title ASSEMBLY, PRINTED WIRING - MEMORY ADDRESS INTERFACE (EXTENDED MEMORY)			
Code (cont.) 18338	Site C	Orig. No. 216645	Change Level B
Scale	Do Not Scale Drawing		Sheet 13



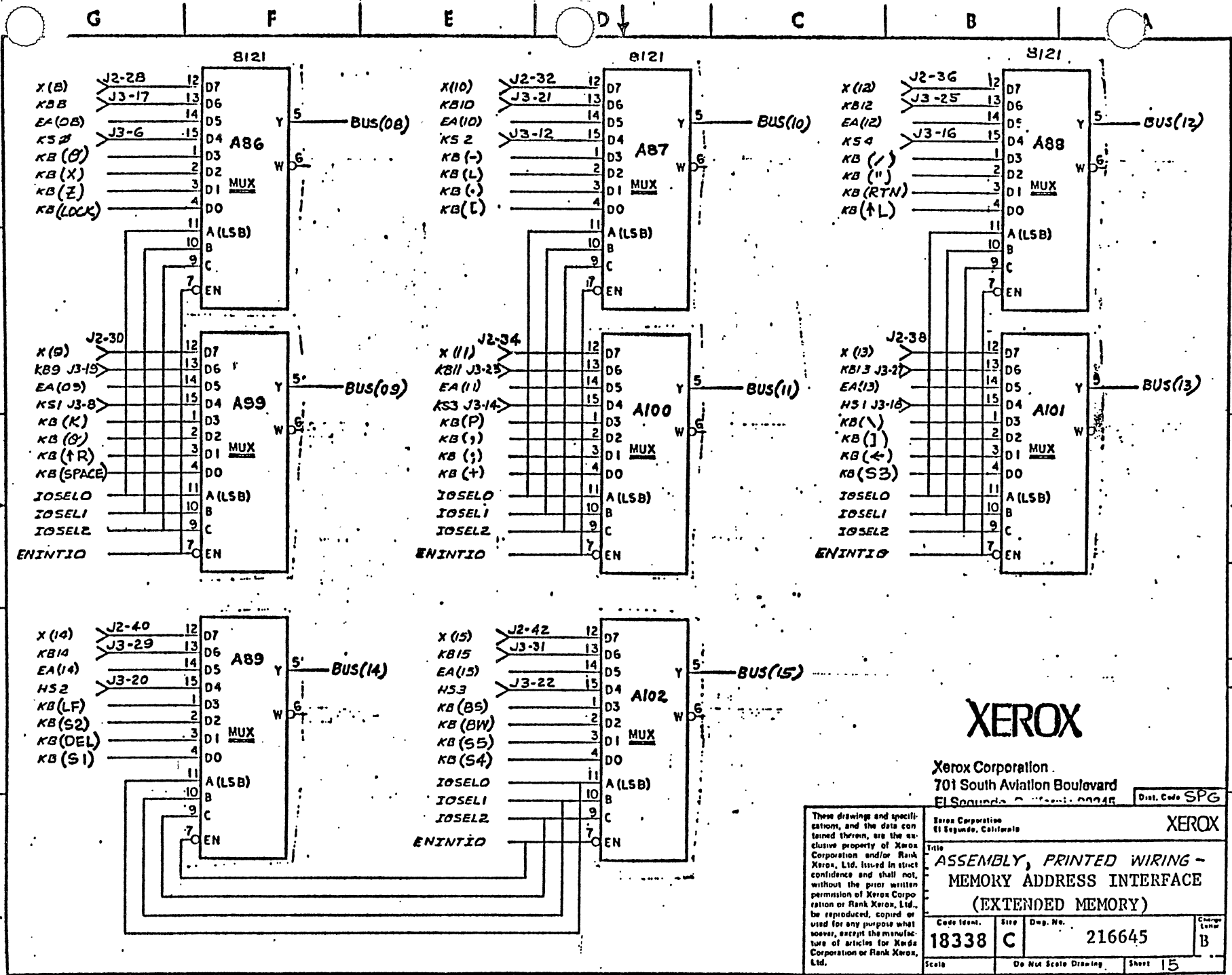
XEROX

Xerox Corporation
701 South Aviation Boulevard

Dist. Code SPG

These drawings and specifications, and the data contained therein, are the exclusive property of Xerox Corporation and/or Rank Xerox, Ltd. Issued in strict confidence and shall not, without the prior written permission of Xerox Corporation or Rank Xerox, Ltd., be reproduced, copied or used for any purpose whatsoever, except the manufacture of articles for Xerox Corporation or Rank Xerox, Ltd.

Title		ASSEMBLY, PRINTED WIRING - MEMORY ADDRESS INTERFACE (EXTENDED MEMORY)	
Code Ident.	Size	Doc. No.	Sheet
18338	C	216645	B
Scale		Do Not Scale Drawing	
		Sheet 14	



XEROX

Xerox Corporation
701 South Aviation Boulevard
El Segundo, California 90245

Dist. Code SPG

These drawings and specifications, and the data contained therein, are the exclusive property of Xerox Corporation and/or Rank Xerox, Ltd. Issued in strict confidence and shall not, without the prior written permission of Xerox Corporation or Rank Xerox, Ltd., be reproduced, copied or used for any purpose whatsoever, except the manufacture of articles for Xerox Corporation or Rank Xerox, Ltd.

Xerox Corporation El Segundo, California				XEROX	
Title ASSEMBLY, PRINTED WIRING - MEMORY ADDRESS INTERFACE (EXTENDED MEMORY)					
Code Ident.	Size	Dep. No.			
18338	C	216645			
Scale	Do Not Scale Drawing		Sheet 15		