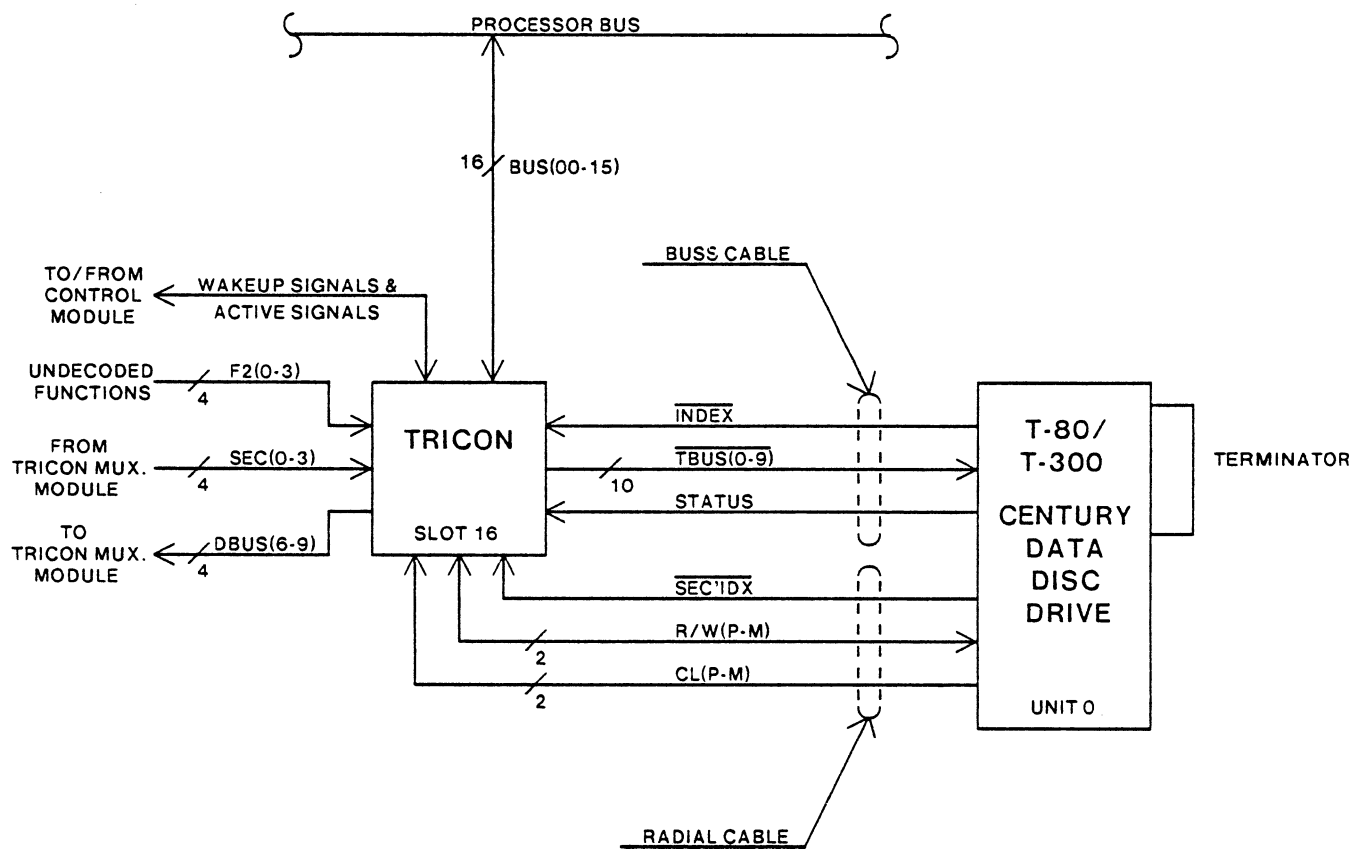


TRICON & TRICON MUX. DOCUMENTATION

Table of Contents

<u>Section/Name</u>	<u>Contents</u>
1. Tricon General	Tricon Module Block Diagram Tricon Assembly Kit Drawing (216637) Alto/Trident Disk System Configuration Diagram
2. Tricon	Tricon Block Diagram Tricon Module Drawing (216468)
3. Tricon Cables	Radial Cable (Int.) Drawing (216466) Radial Cable (Ext.) Drawing (216480) Radial Cable (Ext.) Drawing (216542) Bussed Cable (Int.) Drawing (216467) Bussed Cable (Ext.) Drawing (216483) Bussed Cable (Ext.) Drawing (216543)
4. Tricon Mux General	Tricon & Tricon Mux Module Block Diagram Tricon Mux Assembly Kit Drawing (216638) Alto/Trident Disk System Configuration Diagram
5. Tricon Mux	Tricon Mux Block Diagram Tricon Mux Module Drawing (216621)
6. Tricon Mux Cables	Tricon Radial to Mux (Int.) Cable Drawing (216635) Radial Cable (Int.) Drawing (216636)
7. TFU	Tfs & Tfu Information
8. IFS	How To Use IFS Information
9. Tricon Manual	Trident Disk for the Alto

TRICON MODULE BLOCK DIAGRAM



NOTES: UNLESS OTHERWISE SPECIFIED

1. ITEMS 1, 2, & 3 SUPPLIED AS LOOSE ITEMS, TO BE INSTALLED IN ALTO II PROCESSOR CHASSIS TO INTERFACE WITH CALIFORNIA COMPUTER PRODUCTS INC TRIDENT DISC MODEL NO. T-80. FOR ASSEMBLY AND CABLING INSTRUCTIONS SEE FIGURE 1 AND 2.
2. TRIDENT DISC INTFC MODULE IS SHOWN INSTALLED IN LOCATION 18 FOR REFERENCE ONLY. ANY MODULE SLOTS FROM 15 THRU 20 MAY BE UTILIZED, HOWEVER IF ADDITIONAL TRIDENT DISC UNITS ARE TO BE ADDED IN THE FUTURE 2 ADJOINING SLOT LOCATIONS SHOULD BE RESERVED FOR TRIDENT MUX P.W. ASSY WHICH REQUIRES 2 SLOT LOCATIONS.
3. EXTERNAL CABLE ASSEMBLIES, ITEM 4 & 5 ARE SHOWN FOR REFERENCE ONLY AND ARE TO BE ORDERED SEPERATELY.
4. THE COMBINED LENGTH OF TRICON BUSSED CABLE TO BE MAXIMUM OF 100 FT.
5. TERMINATOR MODULE, CALIFORNIA COMPUTER PORD INC, ANAHEIM, CALIF, P/N 12421-001, TO BE INSTALLED IN J2 OF DISC FILE UNIT.
6. PACKAGE 1 PAIR OF ITEM 10 PER EACH CABLE ASSY (ITEM 2 & 3).

These drawings and specifications, and the data contained therein, are the exclusive property of Xerox Corporation and/or Rank Xerox, Ltd. issued in strict confidence and shall not, without the prior written permission of Xerox Corporation or Rank Xerox, Ltd., be reproduced, copied or used for any purpose whatsoever, except the manufacture of articles for Xerox Corporation or Rank Xerox, Ltd.

Title

ASSEMBLY, TRICON
KIT

Xerox Corporation
El Segundo, California

XEROX

216637

B

Sheet 2 of 4

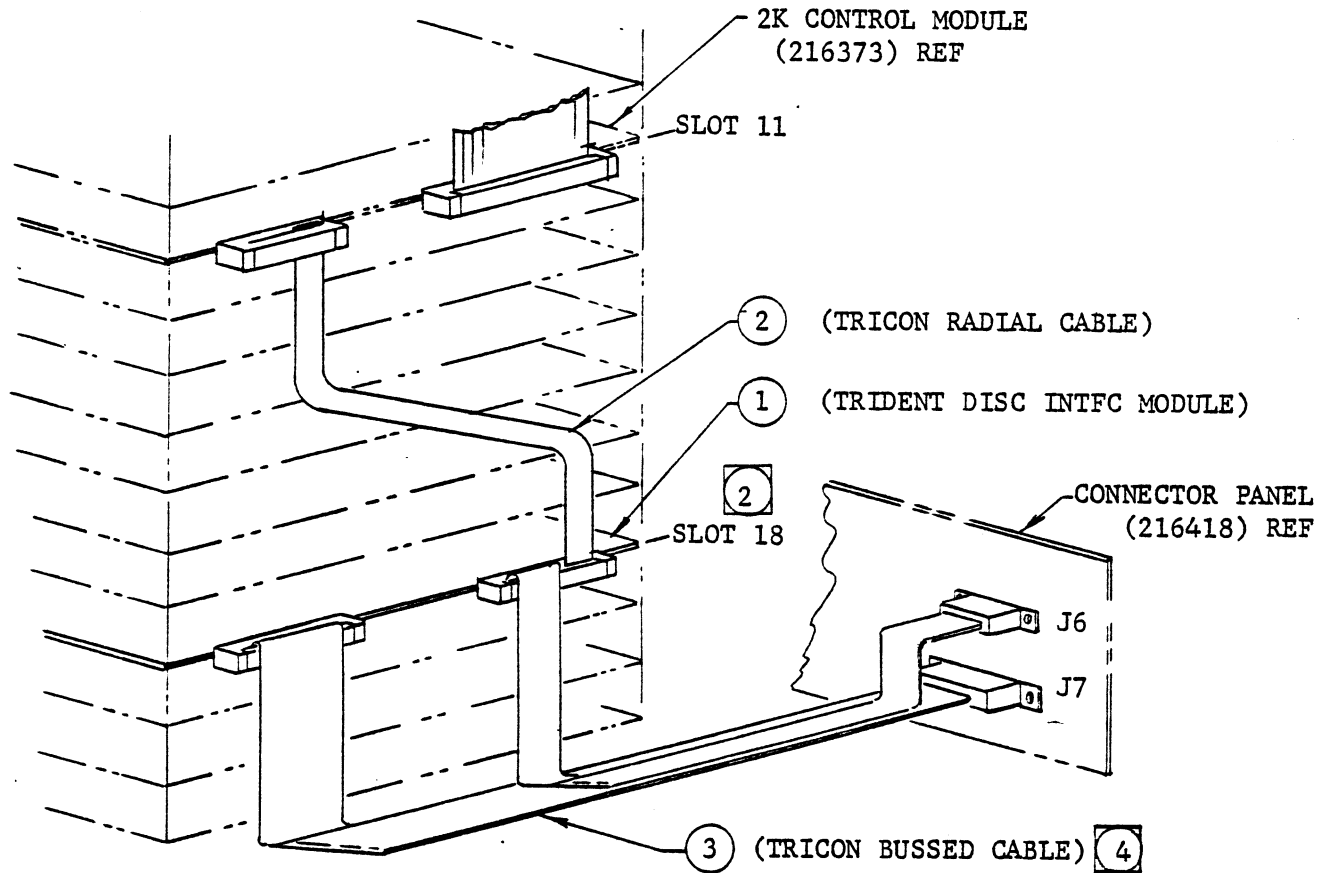


FIGURE 1

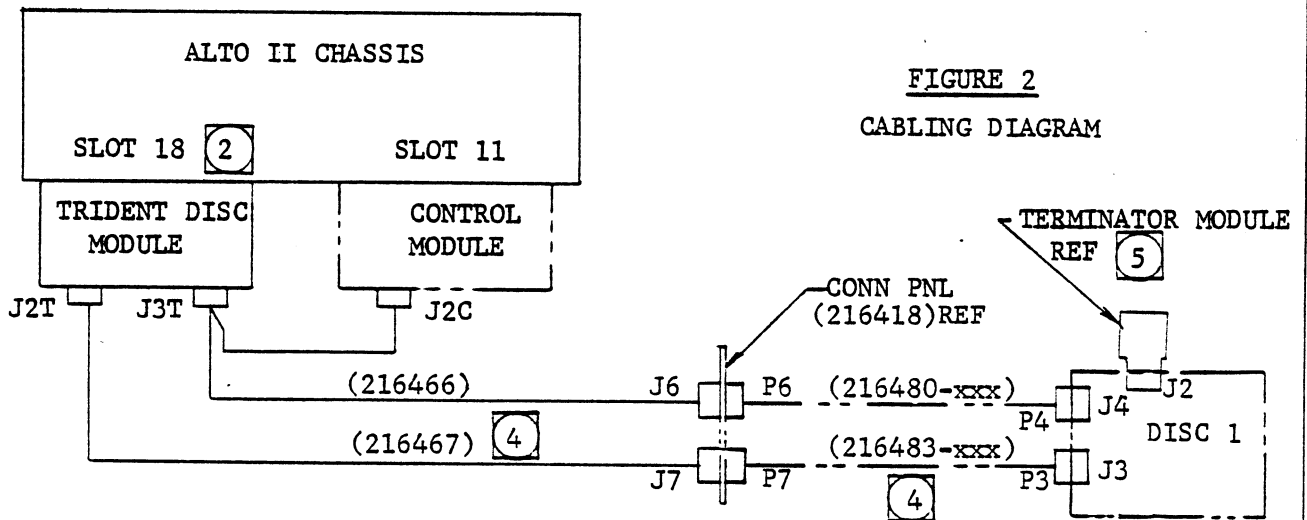


FIGURE 2
CABLING DIAGRAM

These drawings and specifications, and the data contained therein, are the exclusive property of Xerox Corporation and/or Rank Xerox, Ltd. issued in strict confidence and shall not, without the prior written permission of Xerox Corporation or Rank Xerox, Ltd., be reproduced, copied or used for any purpose whatsoever, except the manufacture of articles for Xerox Corporation or Rank Xerox, Ltd.

Title

ASSEMBLY,
TRICON KIT

Xerox Corporation
El Segundo, California

XEROX

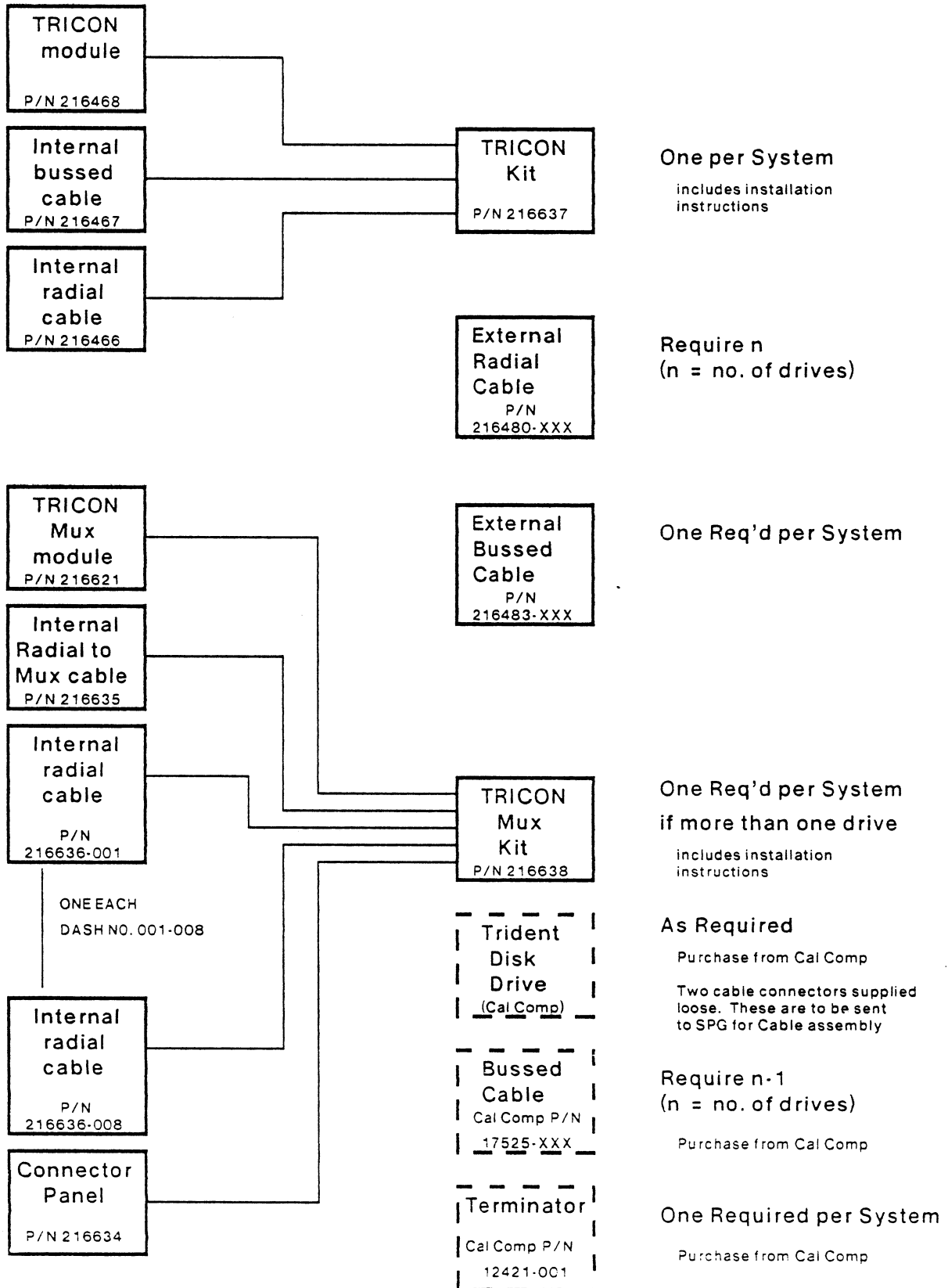
216637

B

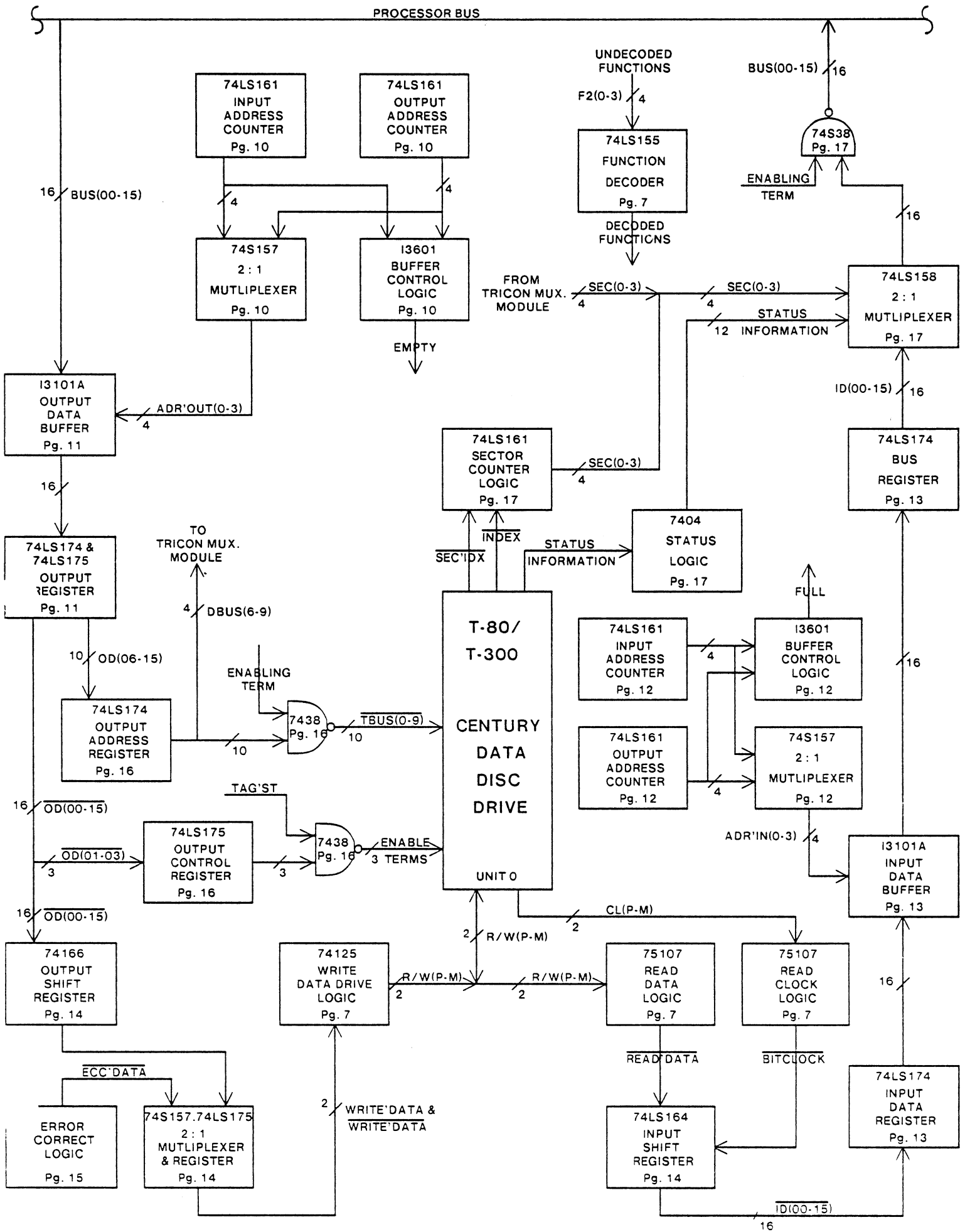
Sheet

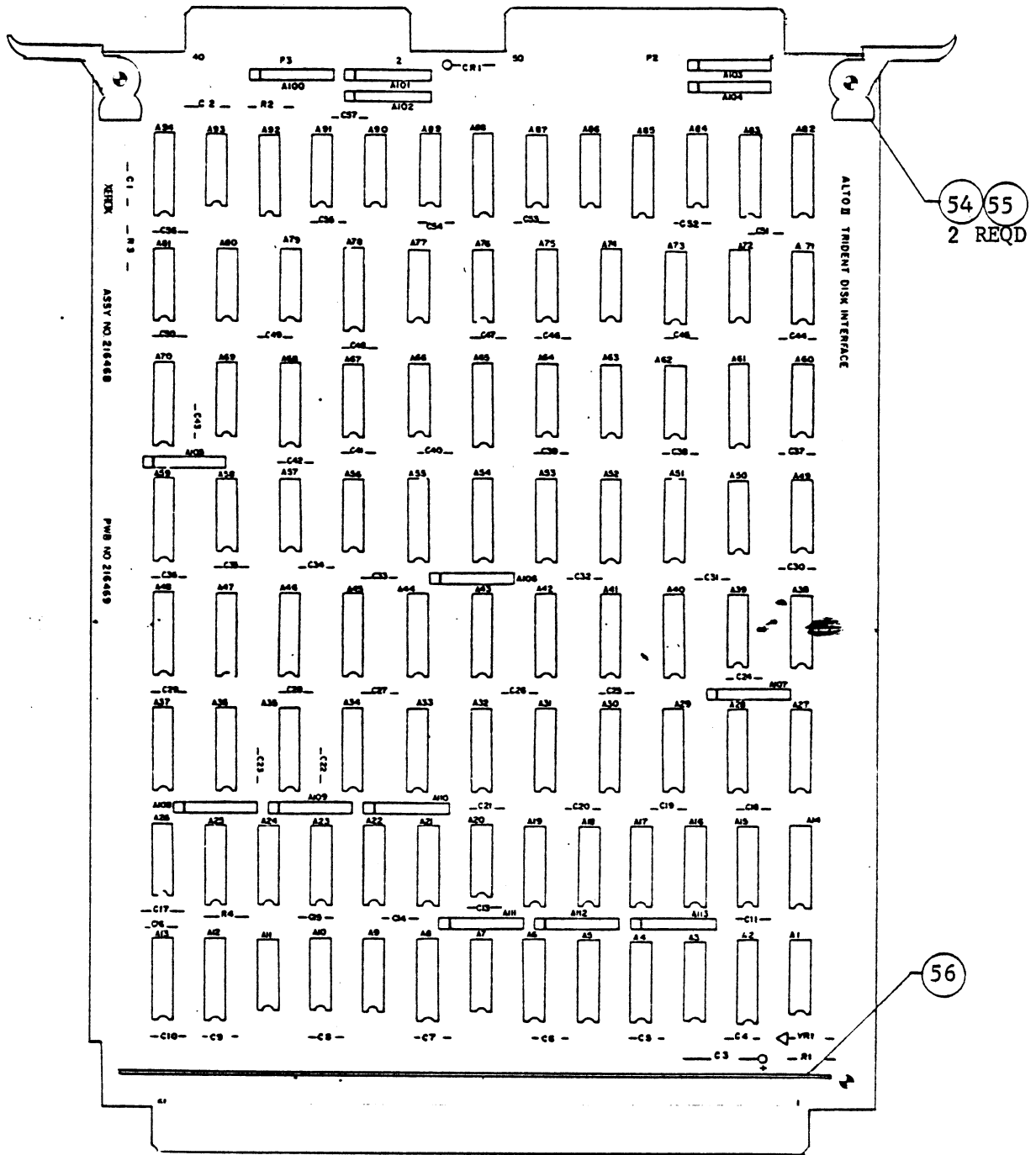
3 of 4

ALTO/TRIDENT DISK SYSTEM CONFIGURATOR



TRICON MODULE





These drawings and specifications, and the data contained therein, are the exclusive property of Xerox Corporation and/or Rank Xerox, Ltd. issued in strict confidence and shall not, without the prior written permission of Xerox Corporation or Rank Xerox, Ltd., be reproduced, copied or used for any purpose whatsoever, except the manufacture of articles for Xerox Corporation or Rank Xerox, Ltd.

Title
 ASSY, P.W.
 TRIDENT DISK INTERFACE

Xerox Corporation
 El Segundo, California

XEROX

Sheet	216468	J
	4	Of

Material List

ML	Drawing No. 216468	Rev. J
-----------	-----------------------	-----------

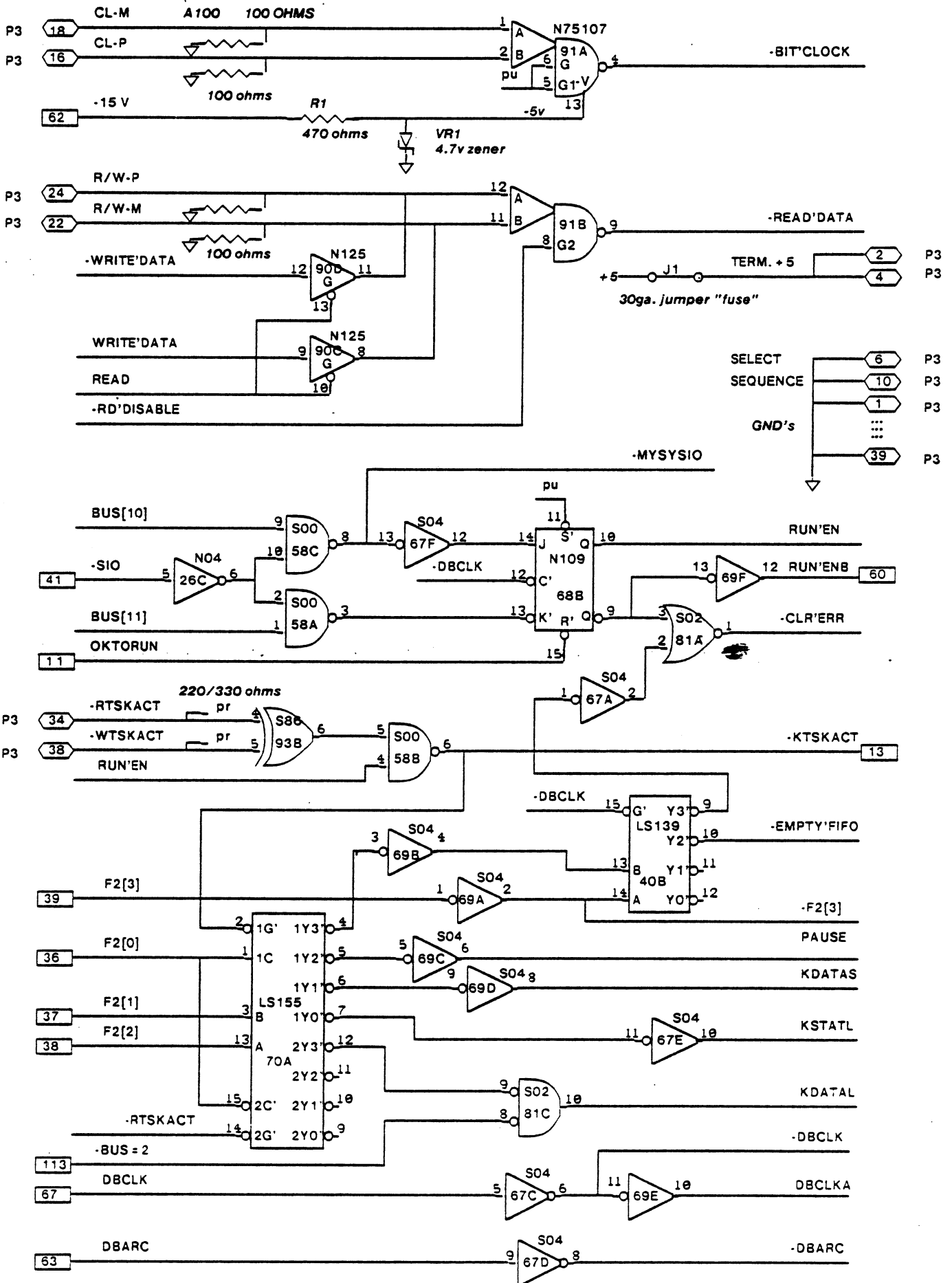
Drawing No. 216468	Drawing Title		These drawings and specifications, and the data contained therein, are the exclusive property of Xerox Corporation and/or Rank Xerox, Ltd. issued in strict confidence and shall not, without the prior written permission of Xerox Corporation or Rank Xerox, Ltd., be reproduced, copied or used for any purpose whatsoever, except the manufacture of articles for Xerox Corporation or Rank Xerox, Ltd.		
	ASSEMBLY, PRINTED WIRING-- TRIDENT DISC INTERFACE		Model No.	Date 2/21/77	Sheet 5 of
ML	Item No.	Drawing Title	Drawing No.	No. Req.	Remarks
	1	Board, P. W. Trident Disc Interface	216469	1	
	2	Microcircuit, LS00		1	A58
	3	7400		4	A39, 73, 79, 87
	4	74S02		1	A81
	5	74S00	168969	2	A20, 58
	6	7404		2	A1, 26
	7	74S04		2	A67, 69
	8	74S08		1	A62
	9	74H10		2	A38, 49
	10	7427		1	A66
	11	7432		1	A74
	12	7438		4	A63, 64, 75, 86
	13	74LS74		5	A , 60, 72, 77, 80
	14	74S86	168970	2	A84, 93
	15	74109		3	A65, 68, 78
	16	74123		1	A94
	17	74125		1	A90
	18	74LS139		1	A40
	19	74LS155	182521	1	A70
	20	74LS161	182526	6	A13, 14, 27, 37, 59, 61
	21	74163		4	A29, 30, 31, 32
	22	74166		2	A41, 42
	23				
	24				
	25	74LS174		10	A16, 21, 23, 44, 25, 45, 46, 52, 53, 88
	26	74LS175		6	A17, 18, 19, 51, 83, 92
	27	74S157		4	A15, 47, 82, 85
	28	74279		1	A55
	29	82S126		2	A28, 48
	30	S82S23		1	A54
	31	N8160		1	A43
	32	Microcircuit, N75107		1	A91
33	Microcircuit,				

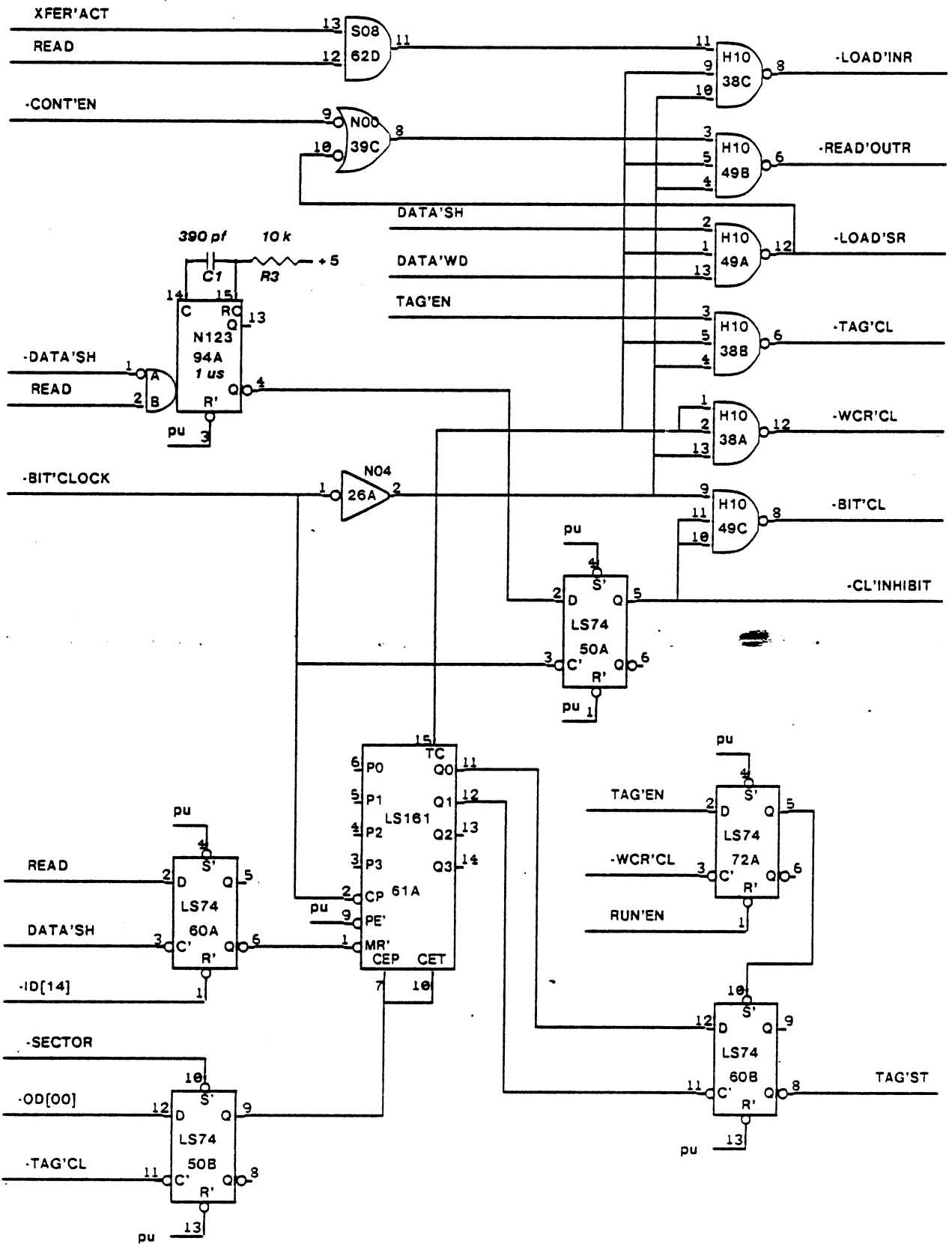
Material List

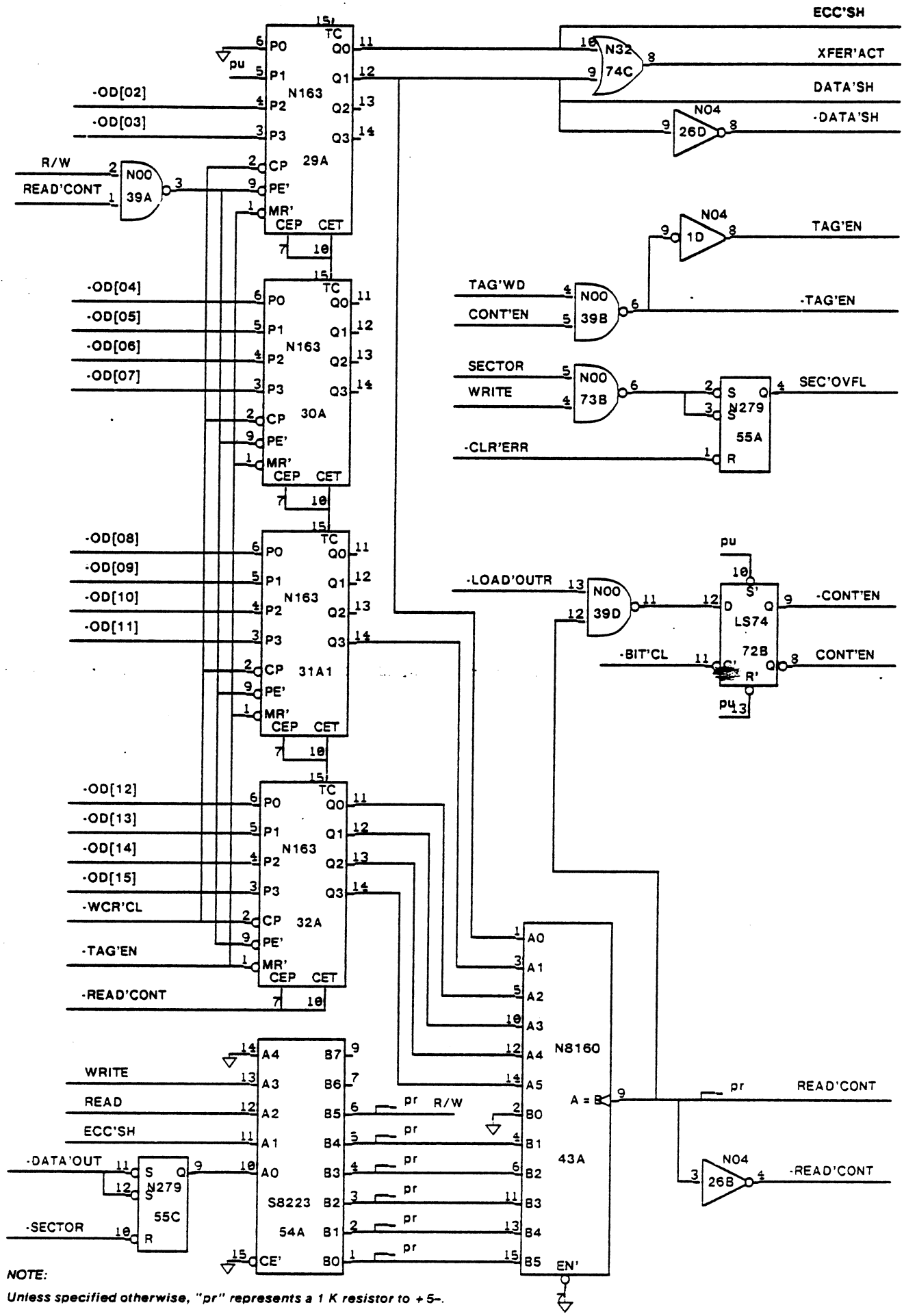
ML	Drawing No. 216468	Rev. J
-----------	-----------------------	-----------

Drawing No. 216468	Drawing Title	These drawings and specifications, and the data contained therein, are the exclusive property of Xerox Corporation and/or Rank Xerox, Ltd. issued in strict confidence and shall not, without the prior written permission of Xerox Corporation or Rank Xerox, Ltd., be reproduced, copied or used for any purpose whatsoever, except the manufacture of articles for Xerox Corporation or Rank Xerox, Ltd.		
	ASSEMBLY, PRINTED WIRING- TRIDENT DISC INTERFACE	Model No.	Date 2/21/77	Sheet 6 Of

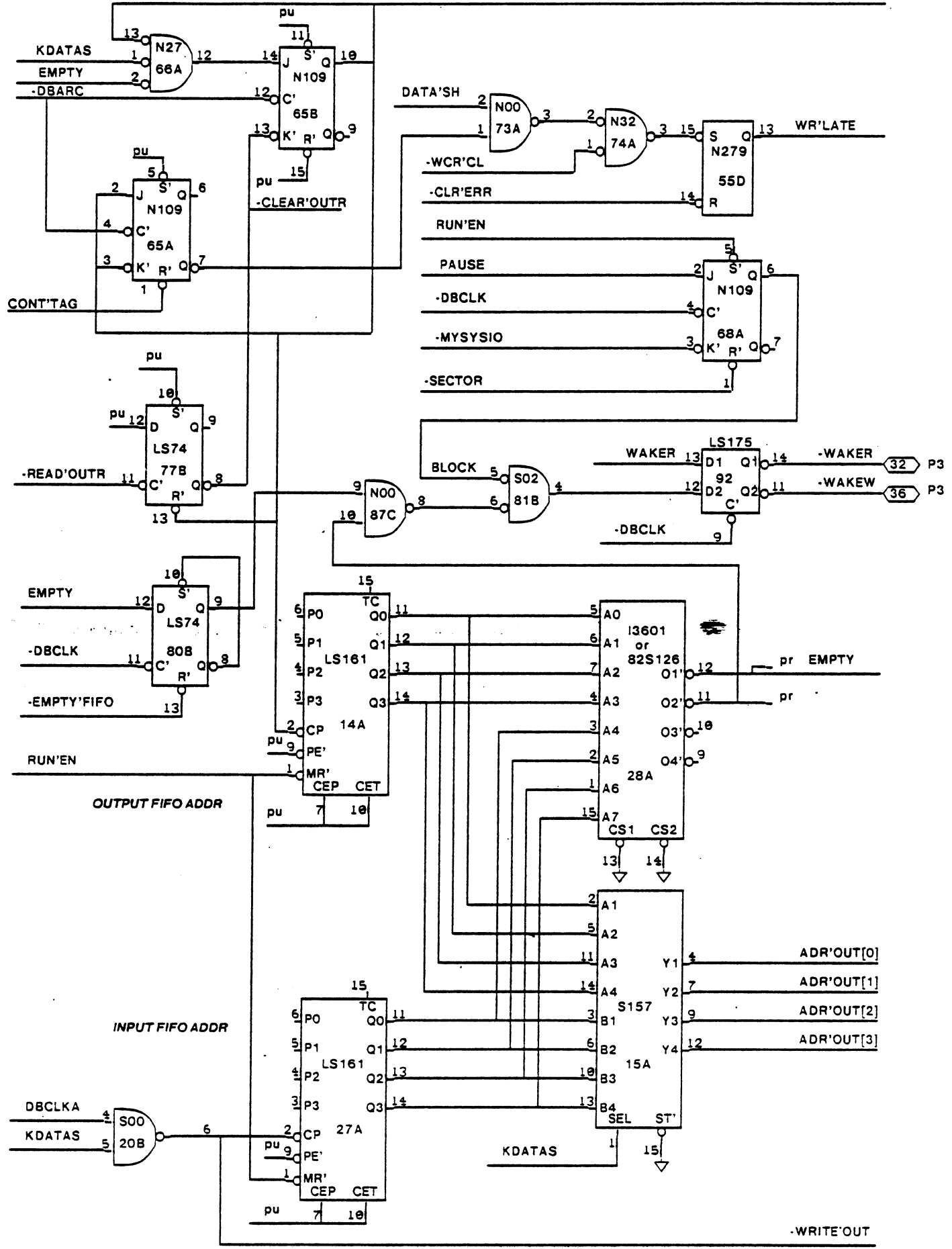
Item No.	Drawing Title	Drawing No.	No. Req.	Remarks
34	Microcircuit, I3101A		9	A2, 3, 4, 5, 6, 33, 34, 35, 36
35	Microcircuit, 74LS164		5	A56, 57, 71, 76, 89
36	Microcircuit, 74S38		4	A7, 9, 10, 11
37	Resistor, Film, 150Ω ±5%, 1/4W	116447-151	1	R4
38	Resistor, Film, 470Ω ±5%, 1/4W	116447-471	1	R1
39	Resistor, Film, 20K ±5%, 1/4W	116447-203	1	R2
40	Resistor, Film, 10K ±5%, 1/4W	116447-103	1	R3
41	Resistor, Network, 1K ±2.5%, .125W	188600-007	9	A105 Thru A113
42	Resistor, Network, 100Ω ±2.5%, .16W	188600-006	1	A100
43	Resistor, Network, 220Ω ±2.5%, .16W	188600-003	2	A102, A104
44	Resistor, Network, 330Ω ±2.5%, .16W		2	A101, CTS A103' (750-81-R330)
45				
46	Capacitor, Tant., 22μF ±20%, -15V	187720-005	1	C5
47	Capacitor, Ceramic, .01μF, 50V	188483-001	53	C4 Thru 16, 18 Thru 57
48	Capacitor, Mica, 390 pF, ±5%, 100V	191175-032	1	C1
49	Capacitor, 0 pF		REF	C2
50	Capacitor, Mica, 330 pF, ±5%, 100V	191175-031	1	C17
51				
52	Diode, Zener, 400 MW, 4.7 V, ±10% IN750		1	VR1
53				
54	Rivet, Blind - Pull Thru	156111-005	2	
55	Extractor, Module	216250	2	
56	Stiffener	216242	1	
57	Socket, Microcircuit		38	Augat #514-AG10D
58	Socket, Microcircuit		56	Augat #516-AG10D
59	Wire, Solid, Wirewrap 30 AWG	146333	A/R	J1
60	Microcircuit, 74S158		4	A8, 12, 22, 24
61				
62				
63				
64				
65				
67				

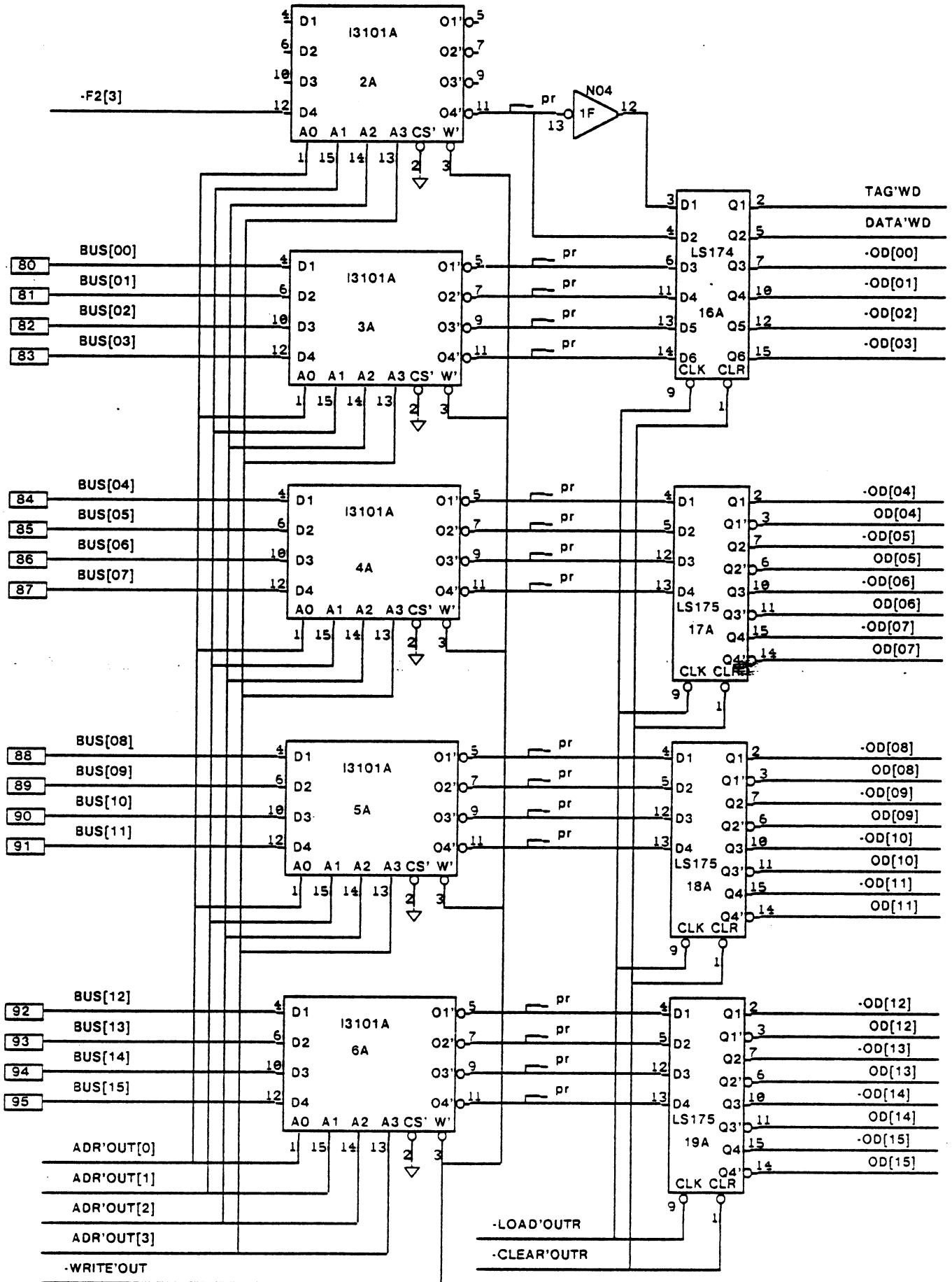


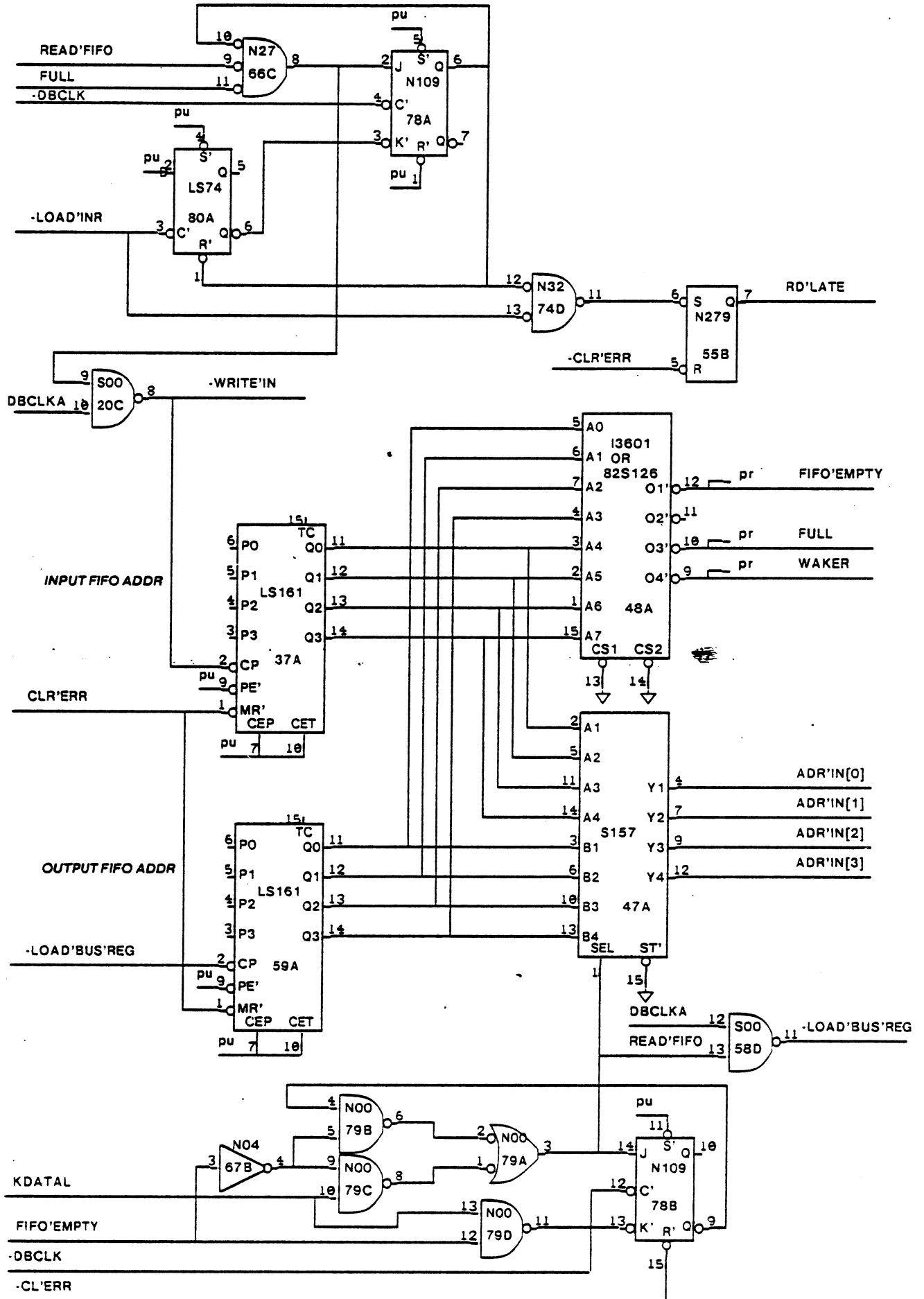


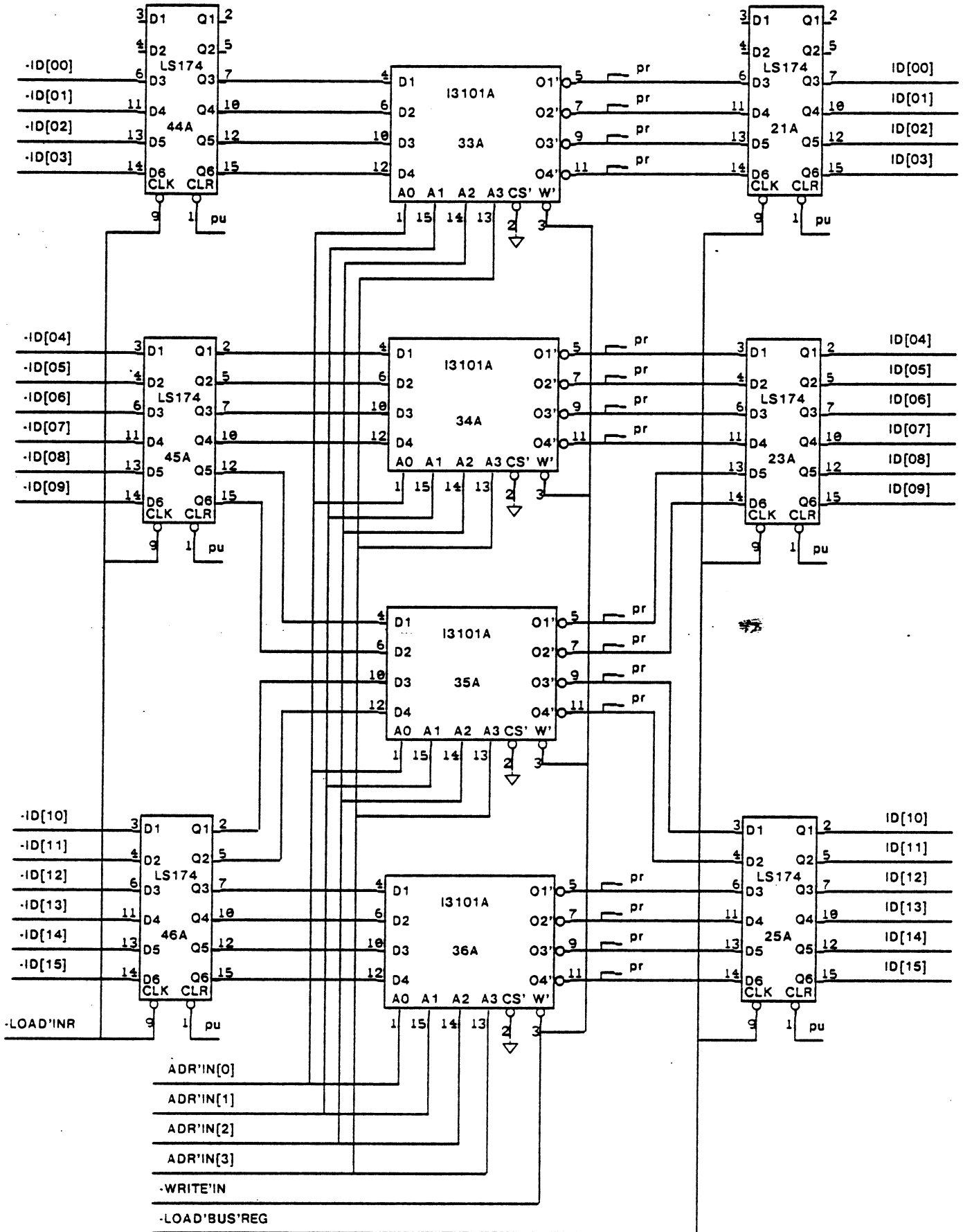


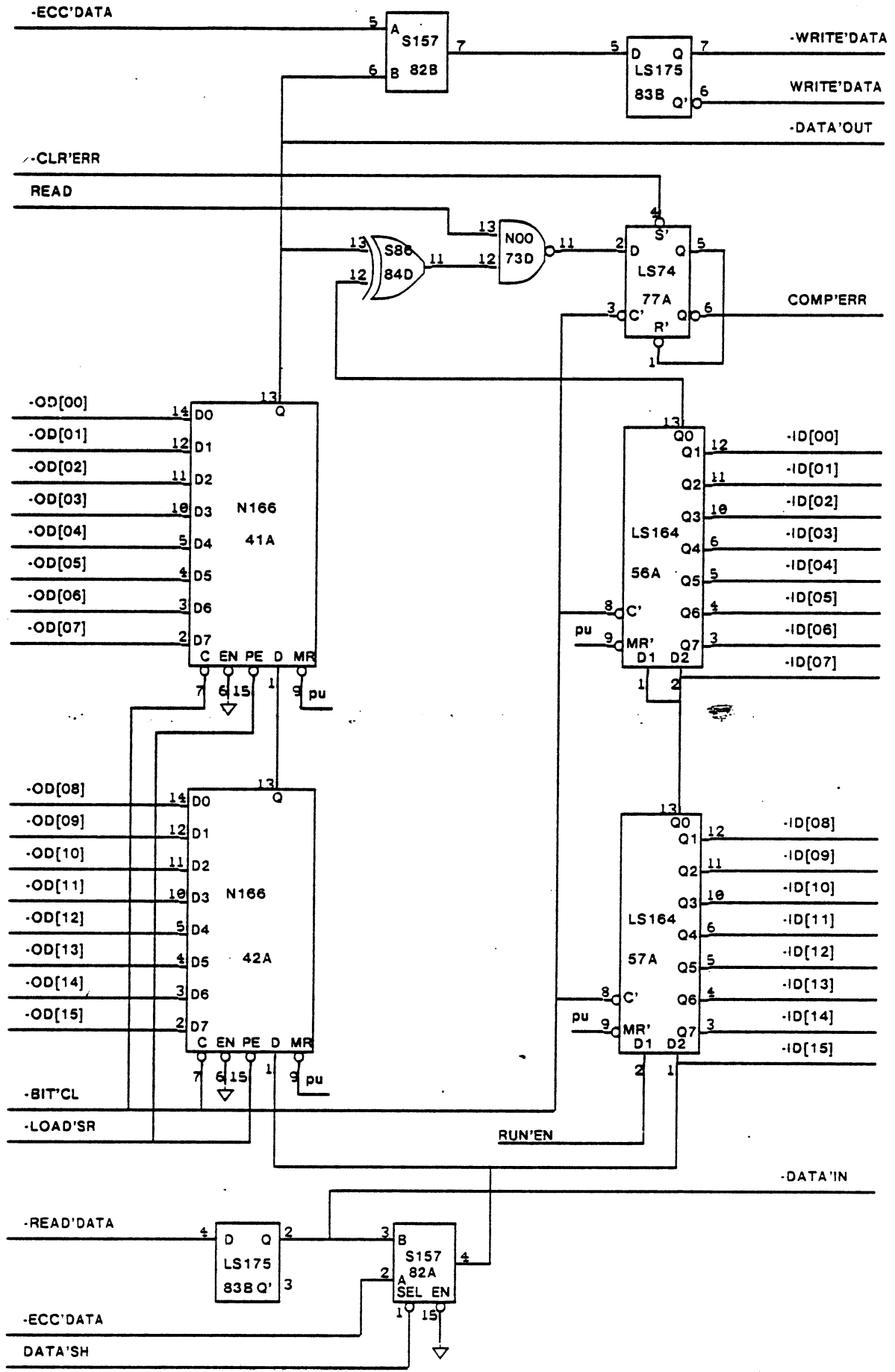
NOTE:
 Unless specified otherwise, "pr" represents a 1 K resistor to +5-



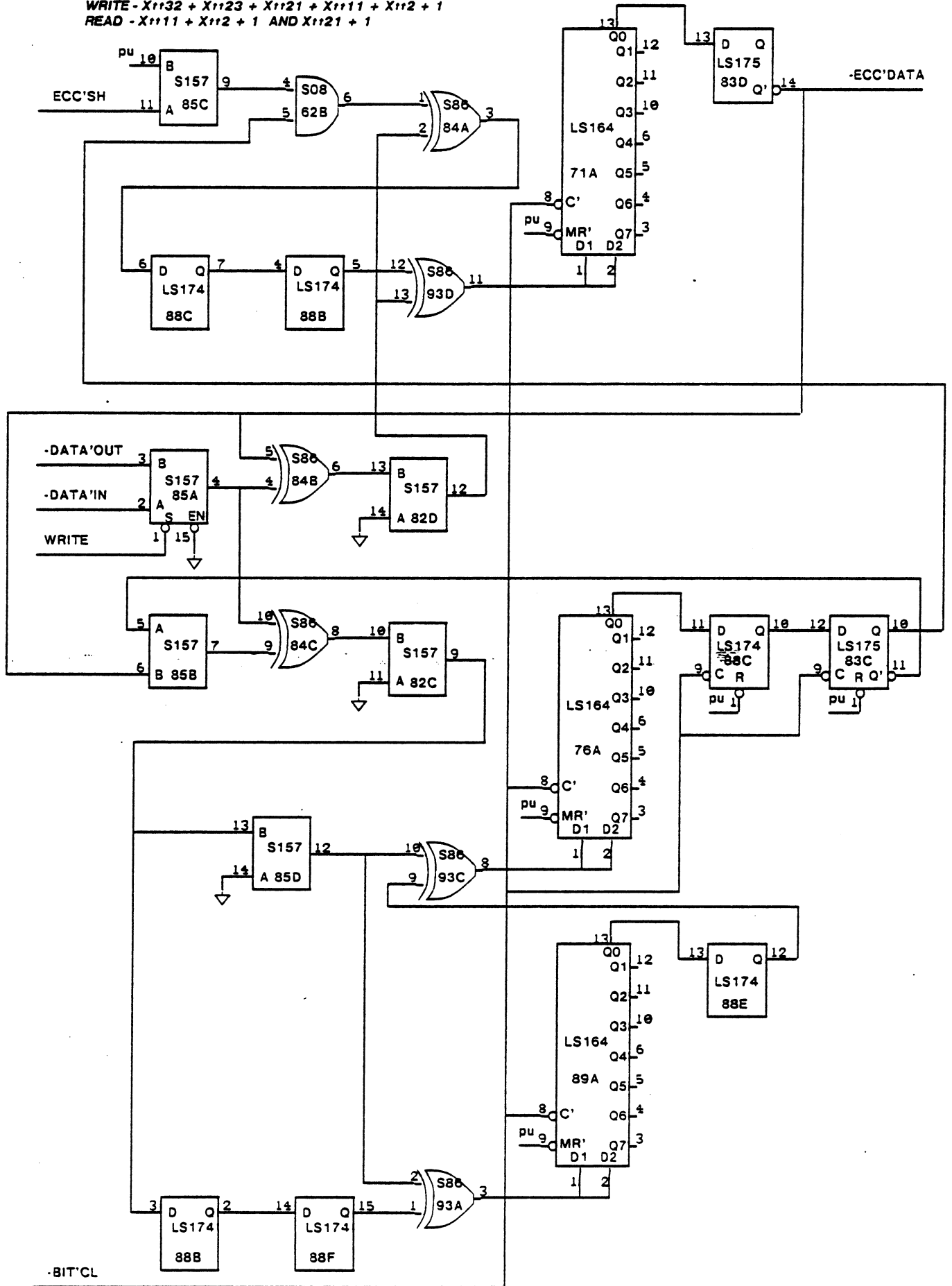


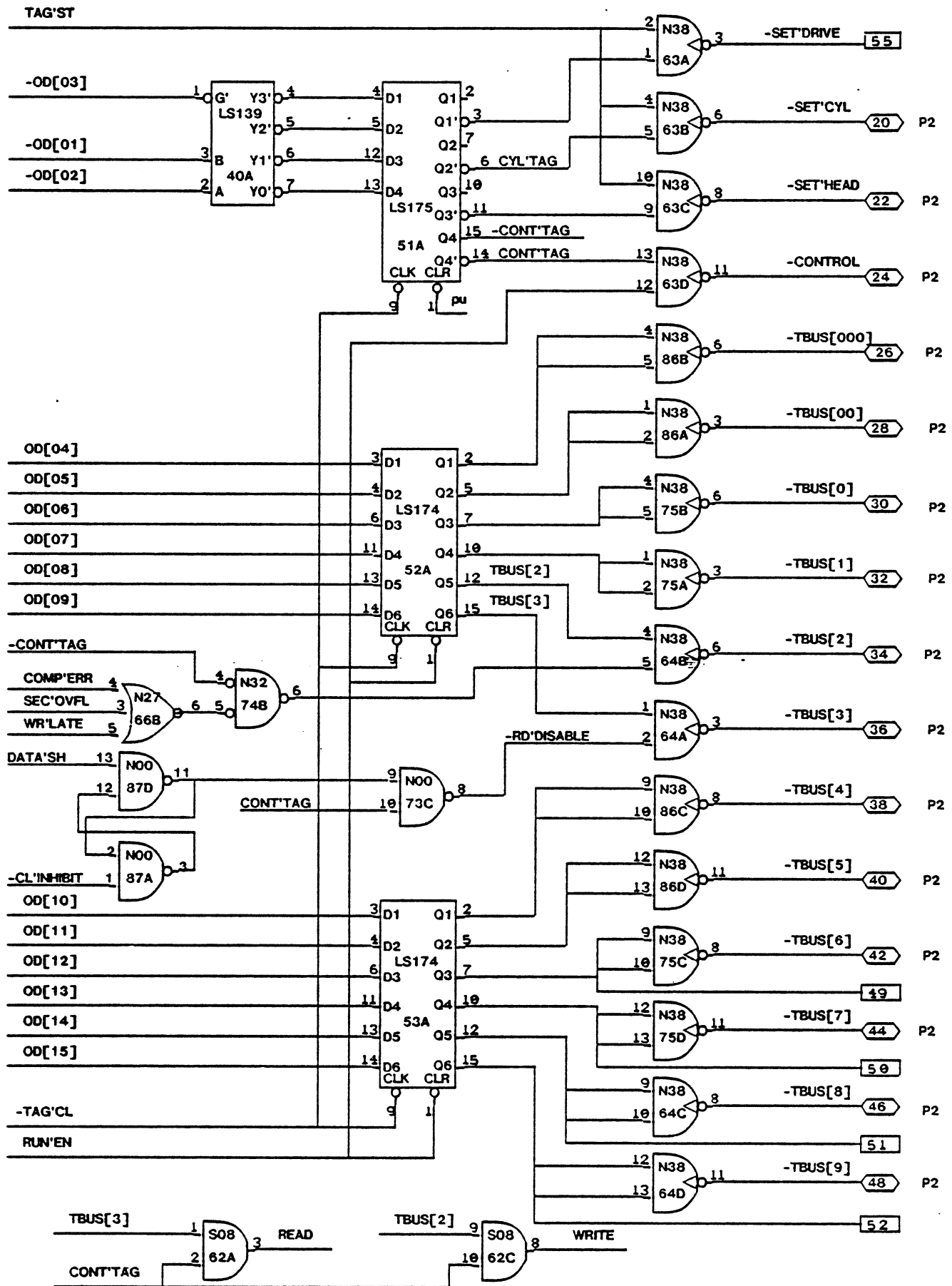


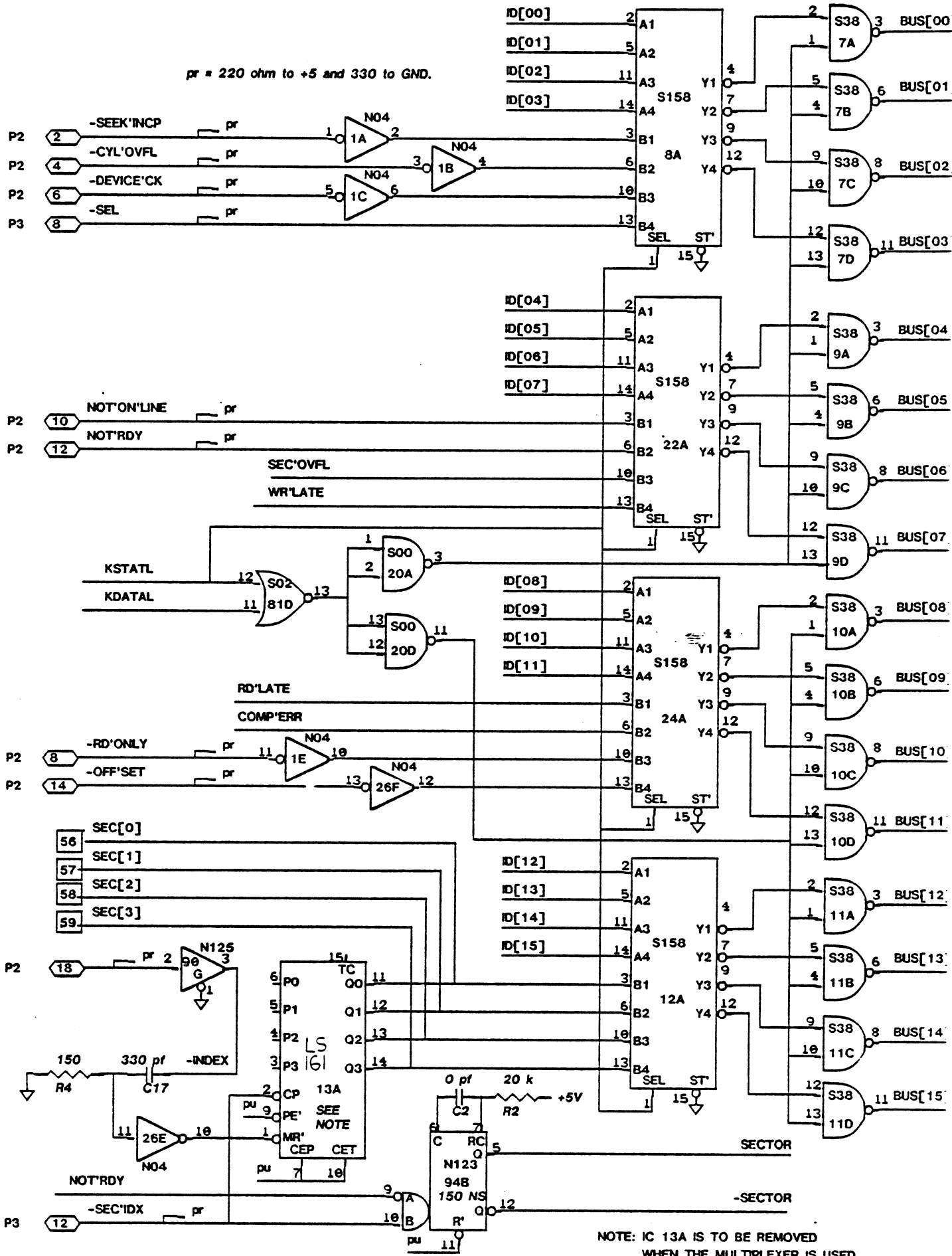




NOTE: FIRE CODE GENERATOR/DECODER
WRITE - $X_{i+32} + X_{i+23} + X_{i+21} + X_{i+11} + X_{i+2} + 1$
READ - $X_{i+11} + X_{i+2} + 1$ AND $X_{i+21} + 1$

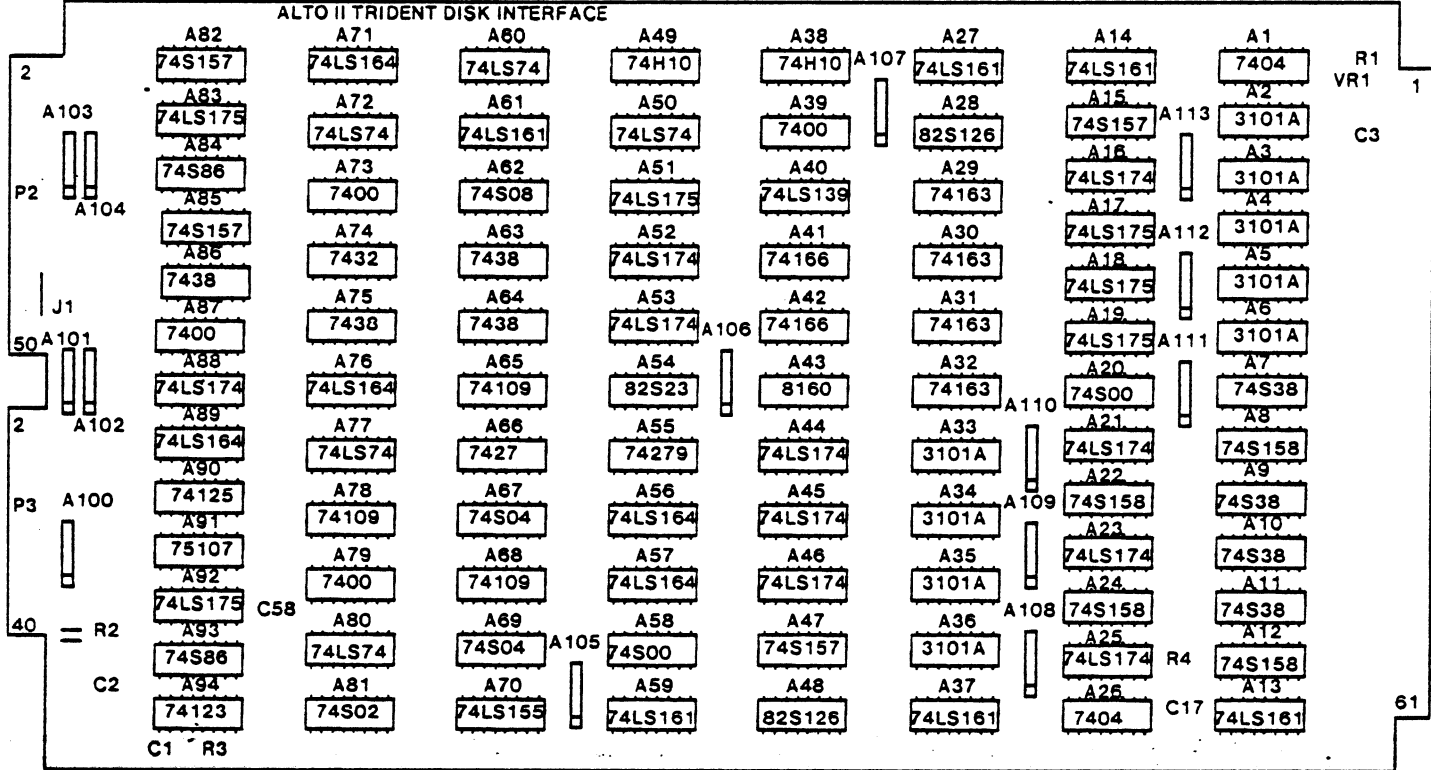






NOTE: IC 13A IS TO BE REMOVED WHEN THE MULTIPLEXER IS USED.

ALTO II TRIDENT DISK INTERFACE

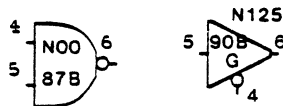


ALTO II
BACKPLANE

NOTE: IC A13 is to be removed when the multiplexer option is installed.

NOTE: Part of the cable that connects to P3 goes to the bulkhead connector and part goes to the Control module.

NOTE: Following circuits are unused.



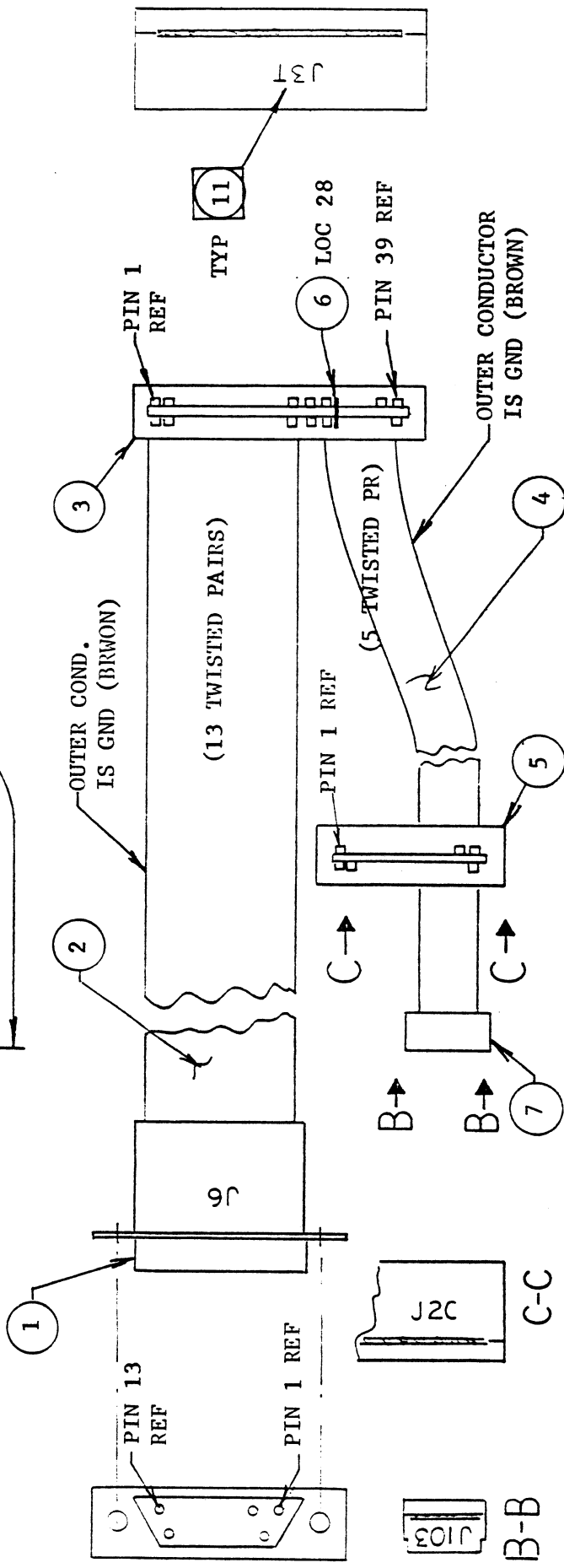
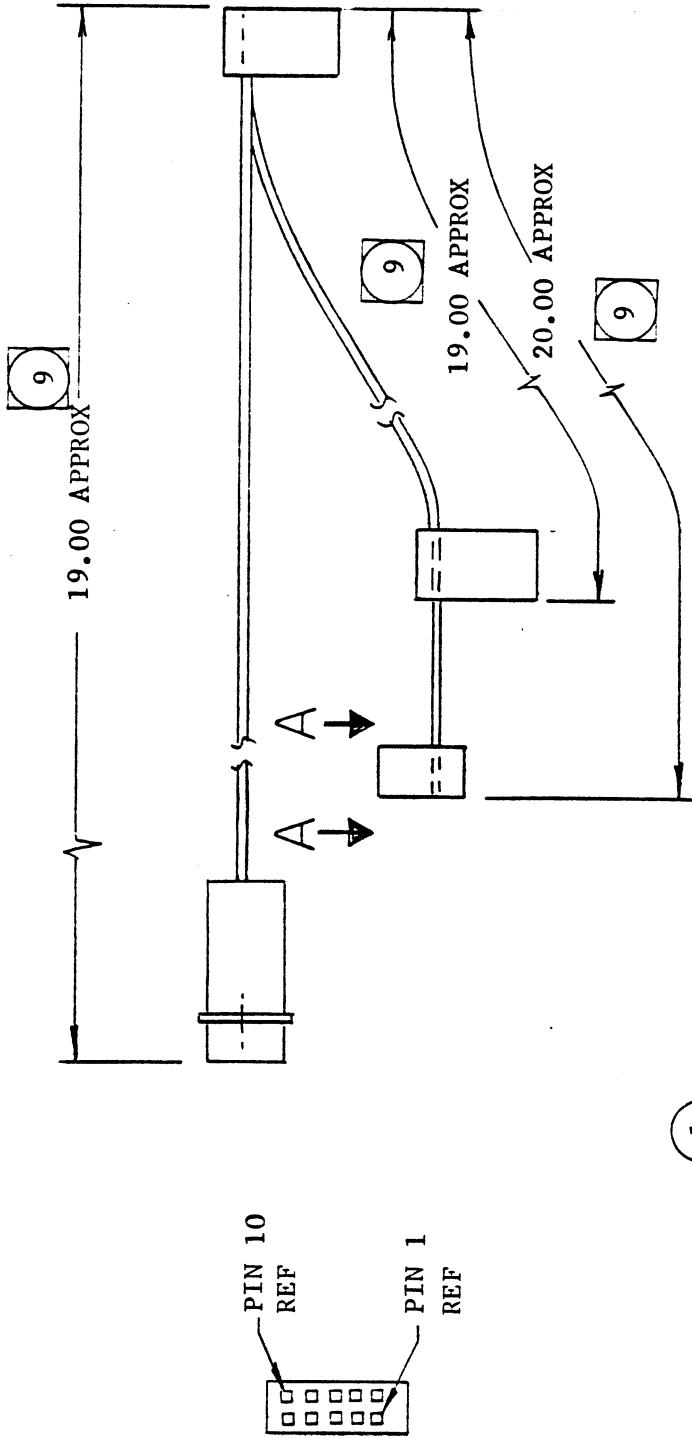
NOTE:

A100 = 100 ohms
A101, A103 = 330 ohms
A102, A104 = 220 ohms
A105 - A113 = 1k ohms

R1 = 470 ohms
R2 = 20k ohms
R3 = 10k ohms
R4 = 150 ohms

C1 = 390 pf
C2 = not used
C3 = 20 uf 20 v
C17 = 330 pf

VR1 = 1N750
J1 = 30 ga. JUMPER WIRE



ASSEMBLY, CABLE - TRICON RADIAL (INTERNAL)

XEROX

Xerox Corporation
El Segundo, California

216466

3 of 6

Sheet

C

Title

These drawings and specifications, and the data contained therein, are the exclusive property of Xerox Corporation and/or Rank Xerox, Ltd. issued in strict confidence and shall not, without the prior written permission of Xerox Corporation or Rank Xerox, Ltd., be reproduced, copied or used for any purpose whatsoever, except the manufacture of articles for Xerox Corporation or Rank Xerox, Ltd.

112(3/73)

Wire No.	Term	From	To	Term	Type	Notes	Signal
1		J3T - 1	J6 - 13		2	BRN	GND
2		2	25			BLK	TERM+5
3		3	12			RED	GND
4		4	24			BLK	TERM+5
5		5	11			ORN	GND
6		6	23			BLK	SEQUENCE
7		7	10			YEL	GND
8		8	22			BLK	SELECTED
9		9	9			GRN	GND
10		10	21			BLK	SELECT
11		11	8			BLU	GND
12		12	20			BLK	SEC' IDX
13		13	7			PURP	GND
14		14	-			10 BLK	N.C.
15		15	19			GRAY	GND
16		16	6			BLK	CL-P
17		17	18			WHT	GND
18		18	5			BLK	CL-M
19		19	17			TAN	GND
20		20	4			BLK	GND
21		21	16			RED	GND
22		22	3			BLK	R/W-M
23		23	15			ORN	GND
24		24	2			BLK	R/W-P
25		25	14			YEL	GND
26		J3T - 26	J6 - 1		2	BLK	GND

These drawings and specifications, and the data contained therein, are the exclusive property of Xerox Corporation and/or Rank Xerox, Ltd. issued in strict confidence and shall not, without the prior written permission of Xerox Corporation or Rank Xerox, Ltd., be reproduced, copied or used for any purpose whatsoever, except the manufacture of articles for Xerox Corporation or Rank Xerox, Ltd.

1. Ref Item No's in Applicable Material List.
2. Ref Designations Are Abbreviated. Prefix Each Designation With:

Title ALTO II
ASSEMBLY, CABLE-
TRICON RADIAL
(INTERNAL)

Xerox Corporation
El Segundo, California

216466

Sheet 5 of 6

C

Draw. No.	Term	From	To	Term	Year	Notes	Signal
27		J3T-30	J2C-17		4	BLK	GND
28		J2C-17	J103-1			BLK	GND
29		J3T-31	J2C-18			GRN	GND
30		J2C-18	J103-2			GRN	GND
31		J3T-32	J2C-19			BLK	WAKER
32		J2C-19	J103-3			BLK	WAKER
33		J3T-33	J2C-20			YFL	GND
34		J2C-20	J103-4			YFL	GND
35		J3T-34	J2C-21			BLK	R'FSKACT
36		J2C-21	J103-5			BLK	R'FSKACT
37		J3T-35	J2C-22			ORN	GND
38		J2C-22	J103-6			ORN	GND
39		J3T-36	J22-23			BLK	WAKEW
40		J2C-23	J103-7			BLK	WAKEW
41		J3T-37	J2C-24			RED	GND
42		J2C-24	J103-8			RED	GND
43		J3T-38	J2C-25			BLK	W'FSKACT
44		J2C-25	J103-9			BLK	W'FSKACT
45		J3T-39	J2C-26			BROWN	GND
46		J2C-26	J103-10		4	BROWN	GND
47							
48							
49							
50							
51							
52							

These drawings and specifications, and the data contained therein, are the exclusive property of Xerox Corporation and/or Rank Xerox, Ltd. Issued in strict confidence and shall not, without the prior written permission of Xerox Corporation or Rank Xerox, Ltd., be reproduced, copied or used for any purpose whatsoever, except the manufacture of articles for Xerox Corporation or Rank Xerox, Ltd.		1. Ref Item No's in Applicable Material List. 2. Ref Designations Are Abbreviated. Prefix Each Designation With:		Title ASSEMBLY, CABLE - TRICON RADIAL (INTERNAL)		Xerox Corporation El Segundo, California 216466		Sheet 6 Of 6
---	--	---	--	--	--	--	--	--------------

NOTES: UNLESS OTHERWISE SPECIFIED

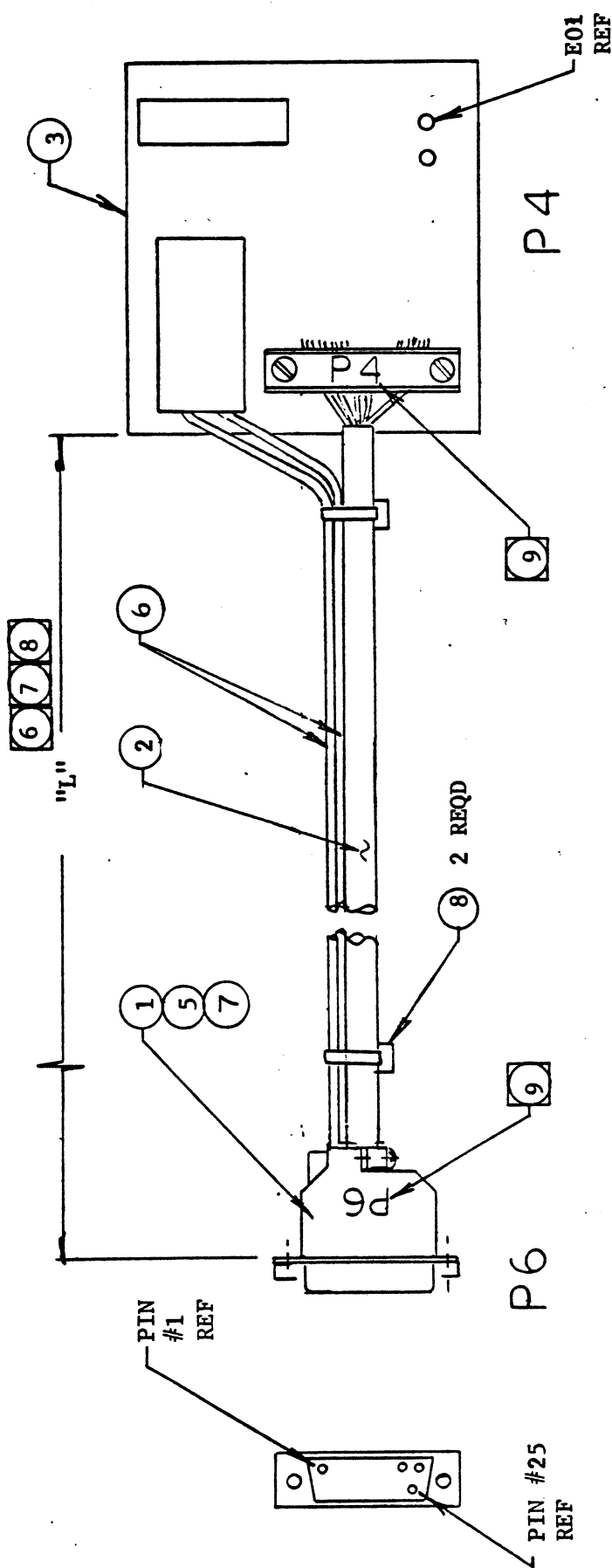
1. FABRICATE PER XEROX SPEC 209154.
- 2 MAY BE PURCHASED FROM CANNON ELECTRIC, SANTA ANA, CALIFORNIA: VENDOR PART NUMBER.
- 3 TWISTED PAIR CABLE (ITEM 2) MAY BE PURCHASED FROM ALPHA WIRE ,TORRANCE, CA, P/N 5231.
- 4 TERMINATOR ASSEMBLY (ITEM 3) MAY BE PURCHASED FROM CALIFORNIA COMPUTER PRODUCTS INC, ANAHEIM CALIFORNIA, PART NUMBER 12433 - 001.
- 5 TWINAX CABLE (ITEM 6) MAY BE PURCHASED FROM BELDEN CORP,RICHMOND, INDIANA P/N 9272.
- 6 CABLE LENGTH "L" WILL BE REPRESENTED BY A THREE DIGIT NUMBER PREFIXED BY DRAWING NO. 216480. THE FIRST TWO DIGITS REPRESENT THE NOMINAL LENGTH IN TENTHS OF FEET WITH THE THIRD DIGIT REPRESENTING A TIMES TEN MULTIPLIER.
 E.G.
 -101 MEANS 1.0 FT
 -102 MEANS 10.0 FT
 -202 MEANS 20.0 FT
 -103 MEANS 100.0 FT (MAXIMUM)
- 7 TOLERANCES ON CABLE LENGTHS TO BE AS FOLLOWS:
 TO 5.0 FT -----±5%, OVER 5.0 FT TO 20.0 FT-----±2.0 IN.,
 OVER 20.0 FT-----±6.0 IN.
- 8 MAXIMUM CABLE LENGTH OF ANY RADIAL CABLE SHALL NOT EXCEED 100 FEET.
- 9 MARK CHARACTERS .12 HIGH, COLOR: BLACK PER XEROX SPEC 101624.
- 10 RETAINER, SLIDING LOCK (ITEM 5) MAY BE PURCHASED FROM CANNON ELECTRIC, SANTA ANA, CALIFORNIA P/N DB51221-1.

These drawings and specifications, and the data contained therein, are the exclusive property of Xerox Corporation and/or Rank Xerox, Ltd. issued in strict confidence and shall not, without the prior written permission of Xerox Corporation or Rank Xerox, Ltd., be reproduced, copied or used for any purpose whatsoever, except the manufacture of articles for Xerox Corporation or Rank Xerox, Ltd.

Title

ASSEMBLY, CABLE - TRICON RADIAL (EXTERNAL)

Xerox Corporation El Segundo, California		XEROX	
Sheet	2	Of	5
	216480		E



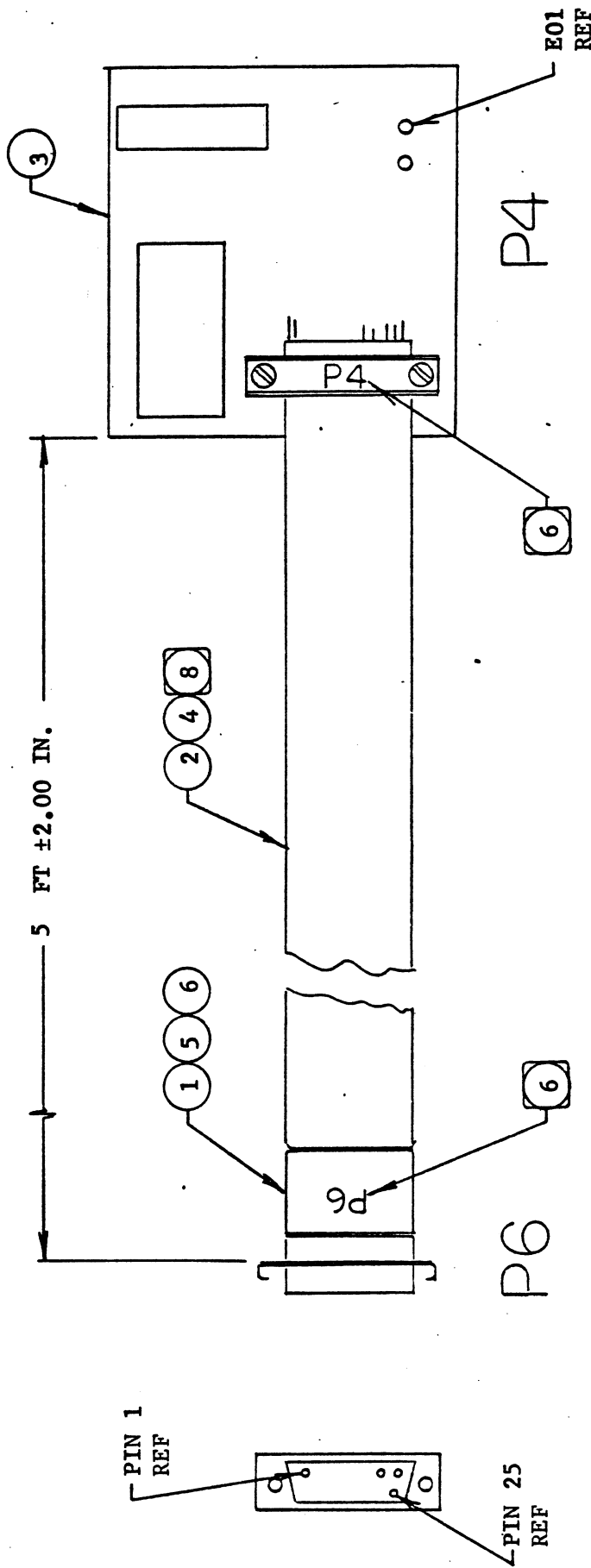
XEROX	
Xerox Corporation El Segundo, California	
216480	E
Sheet 3	Of 5

Title
ASSEMBLY, CABLE - TRICON RADIAL (EXTERNAL)

These drawings and specifications, and the data contained therein, are the exclusive property of Xerox Corporation and/or Rank Xerox, Ltd. issued in strict confidence and shall not, without the prior written permission of Xerox Corporation or Rank Xerox, Ltd., be reproduced, copied or used for any purpose whatsoever, except the manufacture of articles for Xerox Corporation or Rank Xerox, Ltd.

Wire No.	Term	From	To	Term	Wh. /pe	Notes	Signal	Chg. Let.
1		P6 - 25	P4 - E01		2	TW PR	TERM +5	
2		13	E05				GND	
3		24	E02			TW PR	TERM +5	
4		12	E05				GND	
5		20	E04			TW PR	SEC'IDX	
6		8	E03				GND	
7								
8		10	E07			TW PR	GND	
9		22	E08				SELECTED	
10		11	E09			TW PR	GND	
11		23	E10				SEQUENCE	
12		9	E11			TW PR	GND	
13		21	E12				SELECT	
14								
15		15	E15			SHIELD	GND	
16		2	E14			TWINAX 1	R/W-P	
17		3	E16			TWINAX 2	R/W-M	
18		16	E15			TW PR	GND	
19		3	E16				R/W-M	
20								
21								
22		18	E19			SHIELD	GND	
23		5	E20			TWINAX 1	CL-M	
24		6	E18			TWINAX 2	CL-P	
25		19	E19			TW PR	GND	
26		P6 - 6	P4 - E20		2		CL-M	

These drawings and specifications, and the data contained therein, are the exclusive property of Xerox Corporation and/or Rank Xerox, Ltd. issued in strict confidence and shall not, without the prior written permission of Xerox Corporation or Rank Xerox, Ltd. be reproduced, copied or used for any purpose whatsoever, except the manufacture of articles for Xerox Corporation or Rank Xerox, Ltd.	1. Ref Item No's in Applicable Material List. 2. Ref Designations Are Abbreviated. Prefix Each Designation With:	Title ASSEMBLY, CABLE- TRICON RADIAL (EXT)		XEROX Xerox Corporation El Segundo, California 216480 Sheet 5 of 5
		E		



These drawings and specifications, and the data contained therein, are the exclusive property of Xerox Corporation and/or Rank Xerox, Ltd. issued in strict confidence and shall not, without the prior written permission of Xerox Corporation or Rank Xerox, Ltd., be reproduced, copied or used for any purpose whatsoever, except the manufacture of articles for Xerox Corporation or Rank Xerox, Ltd.

Title
ASSEMBLY, CABLE- TRICON RADIAL (EXTERNAL)

Xerox Corporation El Segundo, California	XEROX	
Sheet 3	Of 5	D
216542		

Wire No.	Term	From	To	Term	Wire No.	Notes	Signal	Chg. Let.
1		P6 - 25	P4 - E01		2	TW PR	TERM +5	
2		13	E05				GND	
3		24	E02				TERM +5	
4		12	E05				GND	
5		20	E04				SEC' IDX	
6		8	E03				GND	
7								
8		10	E07				GND	
9		22	E08				SELECTED	
10		11	E09				GND	
11		23	E10				SEQUENCE	
12		9	E11				GND	
13		21	E12				SELECT	
14								
15		15	E15				GND	
16		2	E14				R/W-P	
17								
18		16	E15				GND	
19		3	E16				R/W-M	
20								
21								
22		18	E19				GND	
23		5	E20				CL-M	
24								
25		19	E19				GND	
26		P6 - 6	P4 - E18		2		CL-P	

These drawings and specifications, and the data contained therein, are the exclusive property of Xerox Corporation and/or Rank Xerox, Ltd. issued in strict confidence and shall not, without the prior written permission of Xerox Corporation or Rank Xerox, Ltd., be reproduced, copied or used for any purpose whatsoever, except the manufacture of articles for Xerox Corporation or Rank Xerox, Ltd.

1. Ref Item No's in Applicable Material List.
2. Ref Designations Are Abbreviated. Prefix Each Designation With:

Title
ASSEMBLY, CABLE - TRICON RADIAL (EXTERNAL)

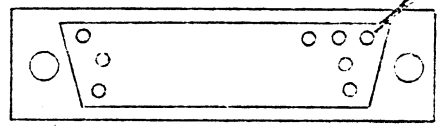
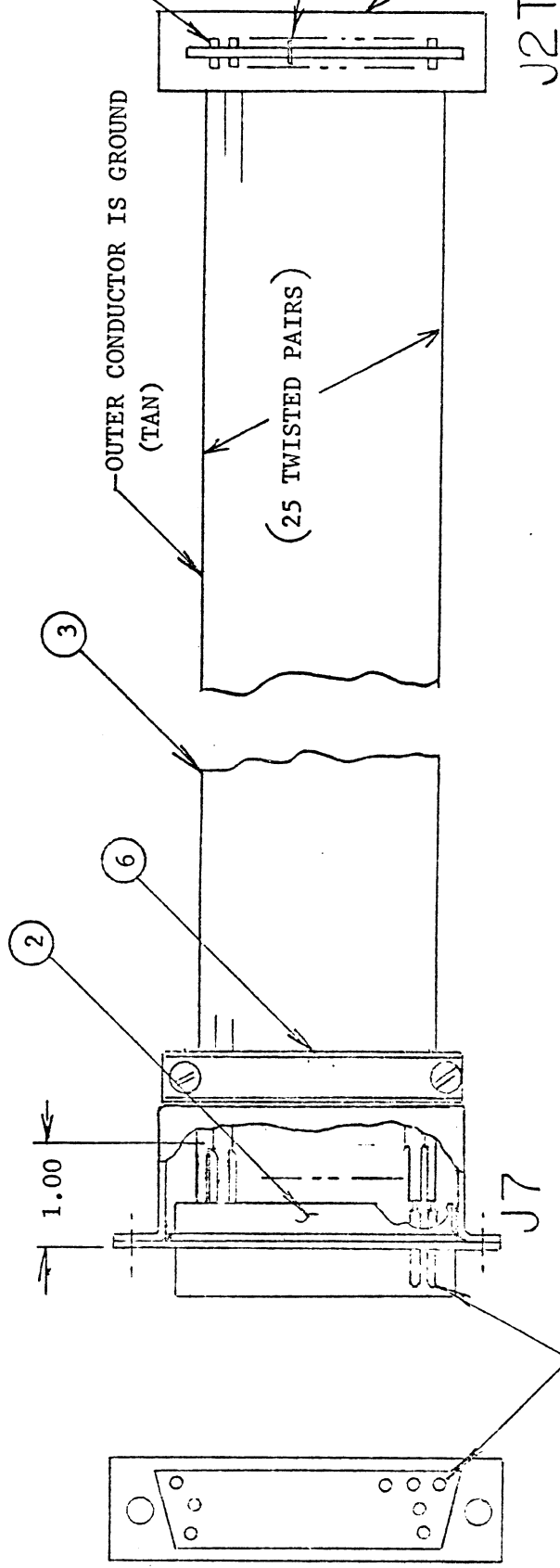
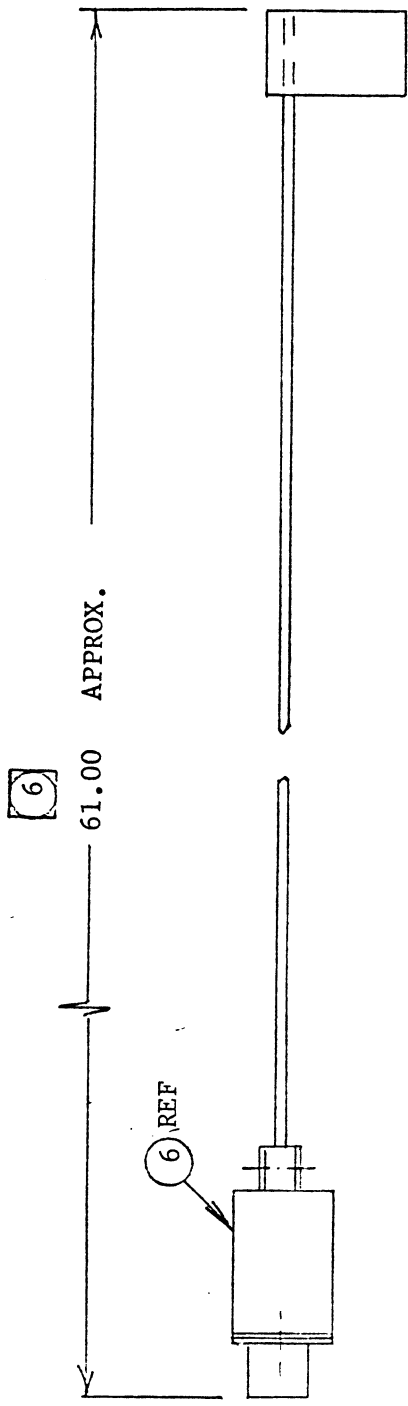
Xerox Corporation
El Segundo, California

216542

Sheet 5 Of 5

D

XEROX



These drawings and specifications, and the data contained therein, are the exclusive property of Xerox Corporation and/or Rank Xerox, Ltd. issued in strict confidence and shall not, without the prior written permission of Xerox Corporation or Rank Xerox, Ltd., be reproduced, copied or used for any purpose whatsoever, except the manufacture of articles for Xerox Corporation or Rank Xerox, Ltd.

Title
ALTO II

Xerox Corporation
El Segundo, California

XEROX

ASSEMBLY, CABLE - TRICON BUSSED (INTERNAL)

216467

A

Sheet

3 Of

6

Wire No.	Term	From	To	Term	Wire	Notes	Signal	Chg. Let.
1		J2T - 1	J7 - 50		3		GND	
2		2	17				SEEK 'INCP*	
3		3	49				GND	
4		4	33				CYL 'OVFL*	
5		5	16				GND	
6		6	48				DEVICE 'CK*	
7		7	32				GND	
8		8	15				RD 'ONLY*	
9		9	47				GND	
10		10	31				NOT 'ON 'LINE	
11		11	14				GND	
12		12	46				NOT 'RDY	
13		13	30				GND	
14		14	13				OFF 'SET*	
15		15	45				GND	
16		16	29				SPARE	
17		17	12				GND	
18		18	44				INDEX*	
19		19	28				GND	
20		20	11				SET 'CYL*	
21		21	43				GND	
22		22	27				SET 'HEAD*	
23		23	10				GND	
24		24	42				CONTROL*	
25		25	26				GND	
26		J2T - 26	J7 - 9		3		TRUS (000)*	

These drawings and specifications, and the data contained therein, are the exclusive property of Xerox Corporation and/or Bank Xerox, Ltd. Issued in strict confidence and shall not, without the prior written permission of Xerox Corporation or Bank Xerox, Ltd. be reproduced, copied or used for any purpose whatsoever, except the manufacture of articles for Xerox Corporation or Bank Xerox, Ltd.

1. Ref Item No's in Applicable Material List.
2. Ref Designations Are Abbreviated. Prefix Each Designation With:

Title ALTO II
ASSEMBLY, CABLE -
TRICON BUSSED (INTERNAL)

Xerox Corporation
El Segundo, California

216467
5 01 6
A

XEROX

Wire No.	Term	From	To	Term	Wire	Notes	Signal	Chg. Let.
27		J2T - 27	J7 - 41		3		GND	
28		28	25				TBUS (00)*	
29		29	8				GND	
30		30	40				TBUS (0)*	
31		31	24				GND	
32		32	7				TBUS (1)*	
33		33	39				GND	
34		34	23				TBUS (2)*	
35		35	6				GND	
36		36	38				TBUS (3)*	
37		37	22				GND	
38		38	5				TBUS (4)*	
39		39	37				GND	
40		40	21				TBUS (5)*	
41		41	4				GND	
42		42	36				TBUS (6)*	
43		43	20				GND	
44		44	3				TBUS (7)*	
45		45	35				GND	
46		46	19				TBUS (8)*	
47		47	2				GND	
48		48	34				TBUS (9)*	
49		49	18				GND	
50		J2T - 50	J7 - 1		3		SPARE	

These drawings and specifications, and the data contained therein, are the exclusive property of Xerox Corporation and/or Rank Xerox, Ltd. issued in strict confidence and shall not, without the prior written permission of Xerox Corporation or Rank Xerox, Ltd., be reproduced, copied or used for any purpose whatsoever, except the manufacture of articles for Xerox Corporation or Rank Xerox, Ltd.

1. Ref Item No's in Applicable Material List.
2. Ref Designations Are Abbreviated. Prefix Each Designation With:

Title: ALTO II
ASSEMBLY, CABLE -
TRICON BUSSED (INTERNAL)

Xerox Corporation
El Segundo, California

216467

Sheet 6 of 6

A

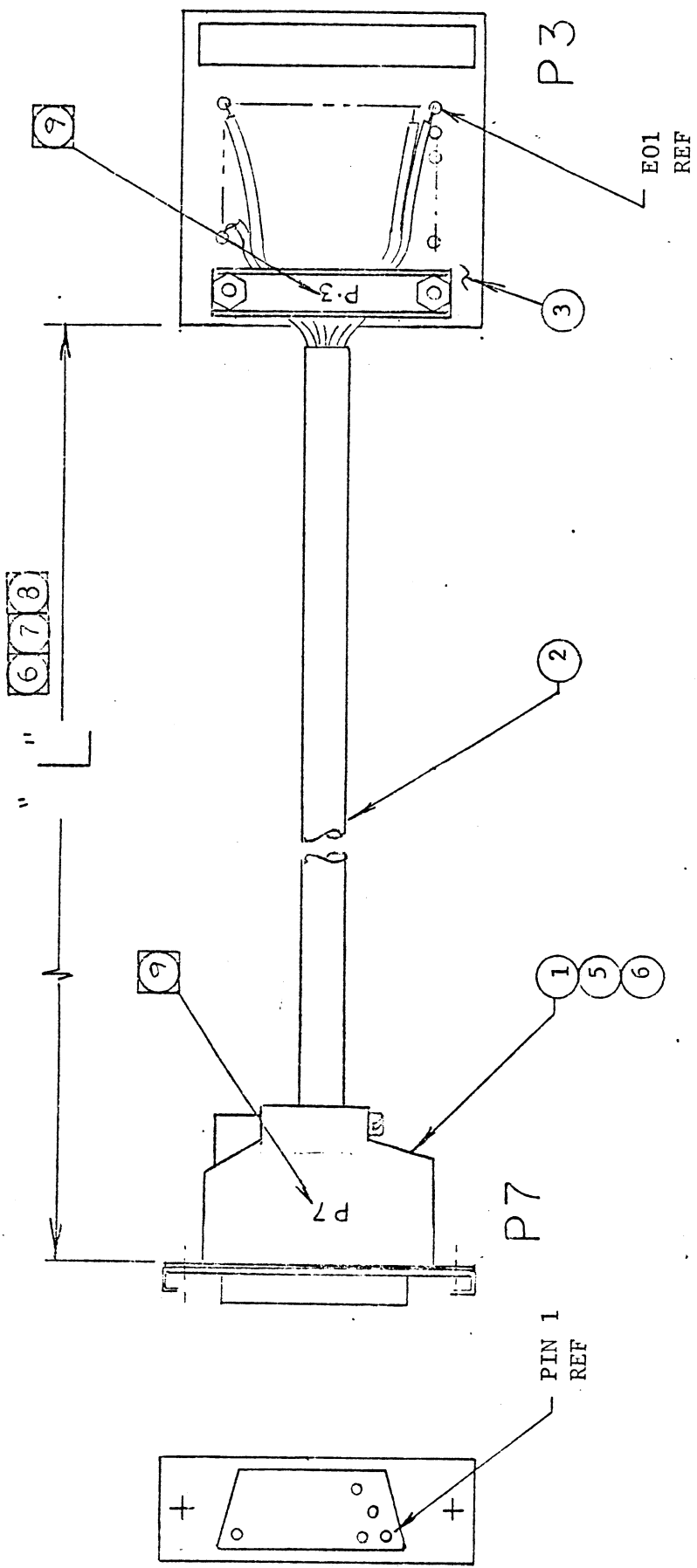
XEROX

NOTES: UNLESS OTHERWISE SPECIFIED:

1. FABRICATE PER XEROX SPEC 209154.
2. MAY BE PURCHASED FROM CANNON ELECTRIC COMPANY, SANTA ANA, CALIFORNIA, VENDOR PART NUMBER.
3. ASSEMBLY, TERMINATOR (ITEM 3) MAY BE PURCHASED FROM CALIFORNIA COMPUTER PRODUCTS, INC ANAHEIM, CALIFORNIA PART NUMBER 12424-001.
4. CABLE, 27 TWISTED PAIRS (ITEM 2) MAY BE PURCHASED FROM ALPHA WIRE, TORRANCE, CA, P/N 5235.
5. ~~SLEEVING, FLAT CABLE (ITEM 4) MAY BE PURCHASED FROM SPECTRA-STRIP CORP, BUENA PARK CALIFORNIA PART NUMBER 300-786.~~
6. CALBE LENGTH "L" WILL BE REPRESENTED BY A THREE DIGIT NUMBER PREFIXED BY DRAWING NO. 216483. THE FIRST TWO DIGITS REPRESENT THE NOMINAL LENGTH IN TENTHS OF FEET WITH THE THIRD DIGIT REPRESENTING A TIMES TEN MULTIPLIER.
E.G.
-101 MEANS 1.0 FT.
-102 MEANS 10 FT.
-202 MEANS 20 FT.
-103 MEANS 100 FT. (MAXIMUM)
7. TOLERANCES ON CABLE LENGTHS TO BE AS FOLLOWS:

TO 5.0 FT ±5%
OVER 5.0 FT TO 20.0FT +2.0 IN.
OVER 20.0 FT ±6.0 IN.
8. MAXIMUM LENGTH OF ALL BUSSED CABLES COMBINED FOR A MULTIPLE DRIVE INSTALLATION SHALL NOT EXCEED 100 FEET.
9. MARK CHARACTERS .12 HIGH, COLOR: BLACK PER XEROX SPEC 101624.
10. ALL GND SIGNALS TO BE COMMON COLOR CODE (BLACK).

<p>These drawings and specifications, and the data contained therein, are the exclusive property of Xerox Corporation and/or Rank Xerox, Ltd. issued in strict confidence and shall not, without the prior written permission of Xerox Corporation or Rank Xerox, Ltd., be reproduced, copied or used for any purpose whatsoever, except the manufacture of articles for Xerox Corporation or Rank Xerox, Ltd.</p>	<p>ALTO II</p>		<p>XEROX</p>
	<p>ASSEMBLY, CABLE - TRICON BUSSED (EXTERNAL)</p>		
<p>Title</p>		<p>Xerox Corporation El Segundo, California</p>	<p>C</p>
<p>Sheet</p>		<p>2</p>	<p>Of 6</p>



These drawings and specifications, and the data contained therein, are the exclusive property of Xerox Corporation and/or Rank Xerox, Ltd. Issued in strict confidence and shall not, without the prior written permission of Xerox Corporation or Rank Xerox, Ltd., be reproduced, copied or used for any purpose whatsoever, except the manufacture of articles for Xerox Corporation or Rank Xerox, Ltd.

Title
 ALTO II
 ASSEMBLY, CABLE - TRICON BUSSED (EXTERNAL)

Xerox Corporation
 El Segundo, California

XEROX

216483

C

Sheet 3 of 6

Wire No.	Term	From	To	Term	Wh	pe	Notes	Signal	Chg. Let.
1		P7 - 50	P3 - E16G		2		TW PR	GND	
2		17	E16					SEEKINCP*	
3		49	E02G				TW PR	GND	
4		33	E02					CYLOVFL*	
5		16	E12G				TW PR	GND	
6		48	E12					DEVICECK*	
7		32	E10G				TW PR	GND	
8		15	E10					RONLY*	
9		47	E14G				TW PR	GND	
10		31	E14					NOT ON LINE	
11		14	E08G				TW PR	GND	
12		46	E08					NOT RDY	
13		30	E04G				TW PR	GND	
14		13	E04					OFFSET*	
15		12	E06G				TW PR	GND	
16		44	E06					INDEX*	
17		28	E39G				TW PR	GND	
18		11	E39					SETCYL*	
19		43	E40G				TW PR	GND	
20		27	E40					SETHEAD*	
21		10	E37G				TW PR	GND	
22		42	E37					CONTROL*	
23		8	E20G				TW PR	GND	
24		40	E20					TBUS(O)*	
25		24	E22G				TW PR	GND	
26		P7 - 7	P3 - E22		2		TW PR	TBUS(1)*	

These drawings and specifications, and the data contained therein, are the exclusive property of Xerox Corporation and/or Rank Xerox, Ltd. and in strict confidence and shall not, without the prior written permission of Xerox Corporation or Rank Xerox, Ltd., be reproduced, copied or used for any purpose whatsoever, except the manufacture of articles for Xerox Corporation or Rank Xerox, Ltd.

1. Ref Item No's in Applicable Material List.
2. Ref Designations Are Abbreviated. Prefix Each Designation With:

Title
ALTO II
ASSEMBLY, CABLE-
TRICON BUSSED (EXTERNAL)

Xerox Corporation
El Segundo, California

216483
C

Wire No.	rm	From	To	Term	Wire	Notes	Signal	Chg. Let.
27		P7 -39	P3 - E24G		2	TW PR	GND	
28		23	E24				TBUS(2)*	
29		6	E26G			TW PR	GND	
30		38	E26				TBUS(3)*	
31		22	E28G			TW PR	GND	
32		5	E28				TBUS(4)*	
33		37	E30G			TW PR	GND	
34		21	E30				TBUS(5)*	
35		4	E32G			TW PR	GND	
36		36	E32				TBUS(6)*	
37		20	E34G			TW PR	GND	
38		3	E34				TBUS(7)*	
39		35	E36G			TW PR	GND	
40		19	E36				TBUS(8)*	
41		2	E38G			TW PR	GND	
42		P7 -34	P3 - E38		2		TBUS(9)*	

These drawings and specifications, and the data contained therein, are the exclusive property of Xerox Corporation and/or Rank Xerox, Ltd. issued in strict confidence and shall not, without the prior written permission of Xerox Corporation or Rank Xerox, Ltd., be reproduced, copied or used for any purpose whatsoever, except the manufacture of articles for Xerox Corporation or Rank Xerox, Ltd.

1. Ref Item No's in Applicable Material List.
2. Ref Designations Are Abbreviated. Prefix Each Designation With:

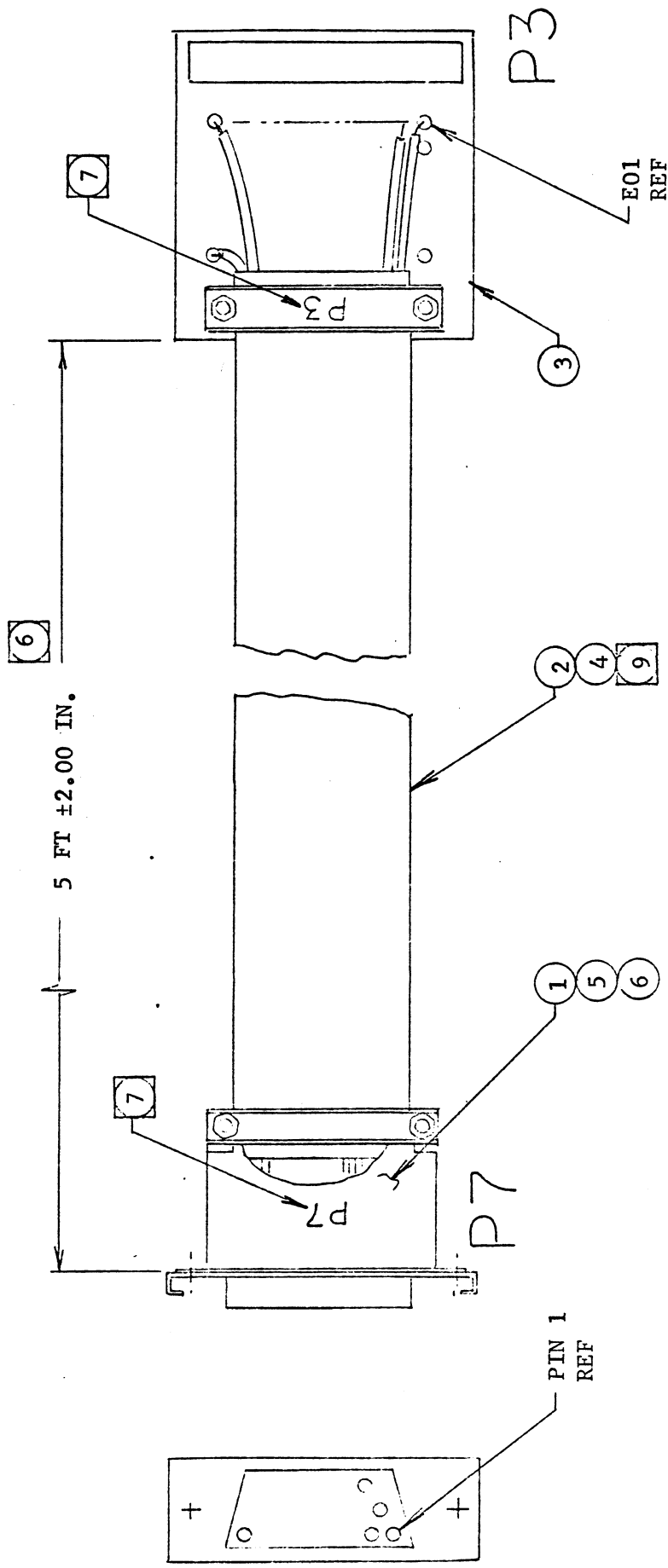
Title ALTO II
ASSEMBLY, CABLE -
TRICON BUSSED (EXTERNAL)

Xerox Corporation
El Segundo, California

216483

Sheet 6 of 6

C



These drawings and specifications, and the data contained therein, are the exclusive property of Xerox Corporation and/or Rank Xerox, Ltd. issued in strict confidence and shall not, without the prior written permission of Xerox Corporation or Rank Xerox, Ltd., be reproduced, copied or used for any purpose whatsoever, except the manufacture of articles for Xerox Corporation or Rank Xerox, Ltd.

Title
 ASSEMBLY, CABLE -
 TRICON BUSSED (EXTERNAL)

Xerox Corporation El Segundo, California		XEROX	
216543		B	
Sheet	3	Of	6

Wire No.	Term	From	To	Term	Wire Type	Notes	Signal	Chg. Let.
1		P7 - 50	P3 - E16G		2	TW PR (8)	GND	
2		17	E16				SEEKINCP*	
3		49	E02G			TW PR (8)	GND	
4		33	E02				CYLOVFL*	
5		16	E12G			TW PR (8)	GND	
6		48	E12				DEVICECK*	
7		32	E10G			TW PR (8)	GND	
8		15	E10				RONLY*	
9		47	E14G			TW PR (8)	GND	
10		31	E14				NOT ON LINA	
11		14	E08G			TW PR (8)	GND	
12		46	E08				NOT RDY	
13		30	E04G			TW PR (8)	GND	
14		13	E04				OFFSET*	
15		12	E06G			TW PR (8)	GND	
16		44	E06				INDEX*	
17		28	E39G			TW PR (8)	GND	
18		11	E39				SETCYL*	
19		43	E40G			TW PR (8)	GND	
20		27	E40				SETHEAD*	
21		10	E37G			TW PR (8)	GND	
22		42	E37				CONTROL*	
23		8	E20G			TW PR (8)	GND	
24		40	E20				TBUS(0)*	
25		24	E22 G			TW PR (8)	GND	
26		P7 - 7	P3 - E22		2		TBUS(1)*	

These drawings and specifications, and the data contained therein, are the exclusive property of Xerox Corporation and/or Rank Xerox, Ltd. issued in strict confidence and shall not, without the prior written permission of Xerox Corporation or Rank Xerox, Ltd., be reproduced, copied or used for any purpose whatsoever, except the manufacture of articles for Xerox Corporation or Rank Xerox, Ltd.

1. Ref Item No's in Applicable Material List.
2. R-f Designations Are Abbreviated.
Prefix Each Designation With:

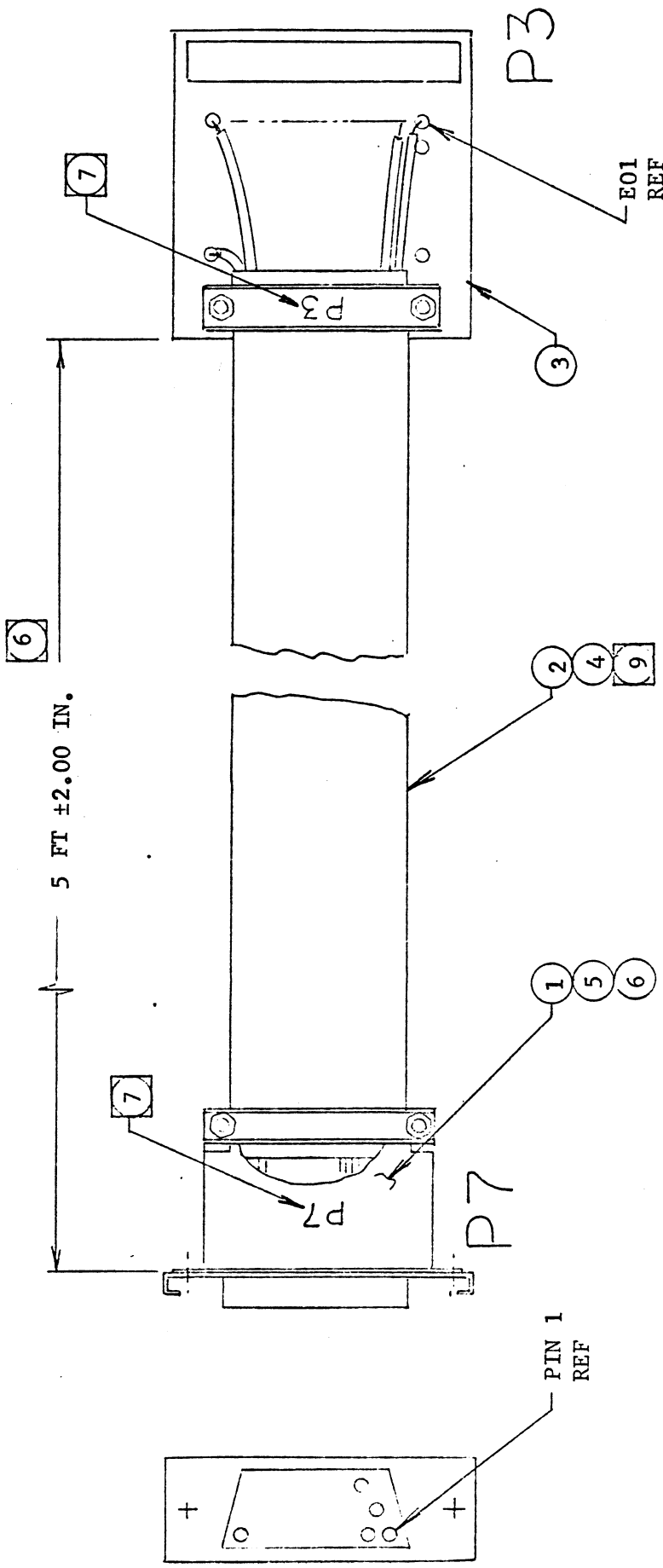
Title
ASSEMBLY, CABLE -
TRICON BUSSED (EXTERNAL)

Xerox Corporation
El Segundo, California

Sheet 5 Of 6

216543 B

XEROX



These drawings and specifications, and the data contained therein, are the exclusive property of Xerox Corporation and/or Rank Xerox, Ltd. issued in strict confidence and shall not, without the prior written permission of Xerox Corporation or Rank Xerox, Ltd., be reproduced, copied or used for any purpose whatsoever, except the manufacture of articles for Xerox Corporation or Rank Xerox, Ltd.

Title

ASSEMBLY, CABLE -
TRICON BUSSED (EXTERNAL)

Xerox Corporation
El Segundo, California

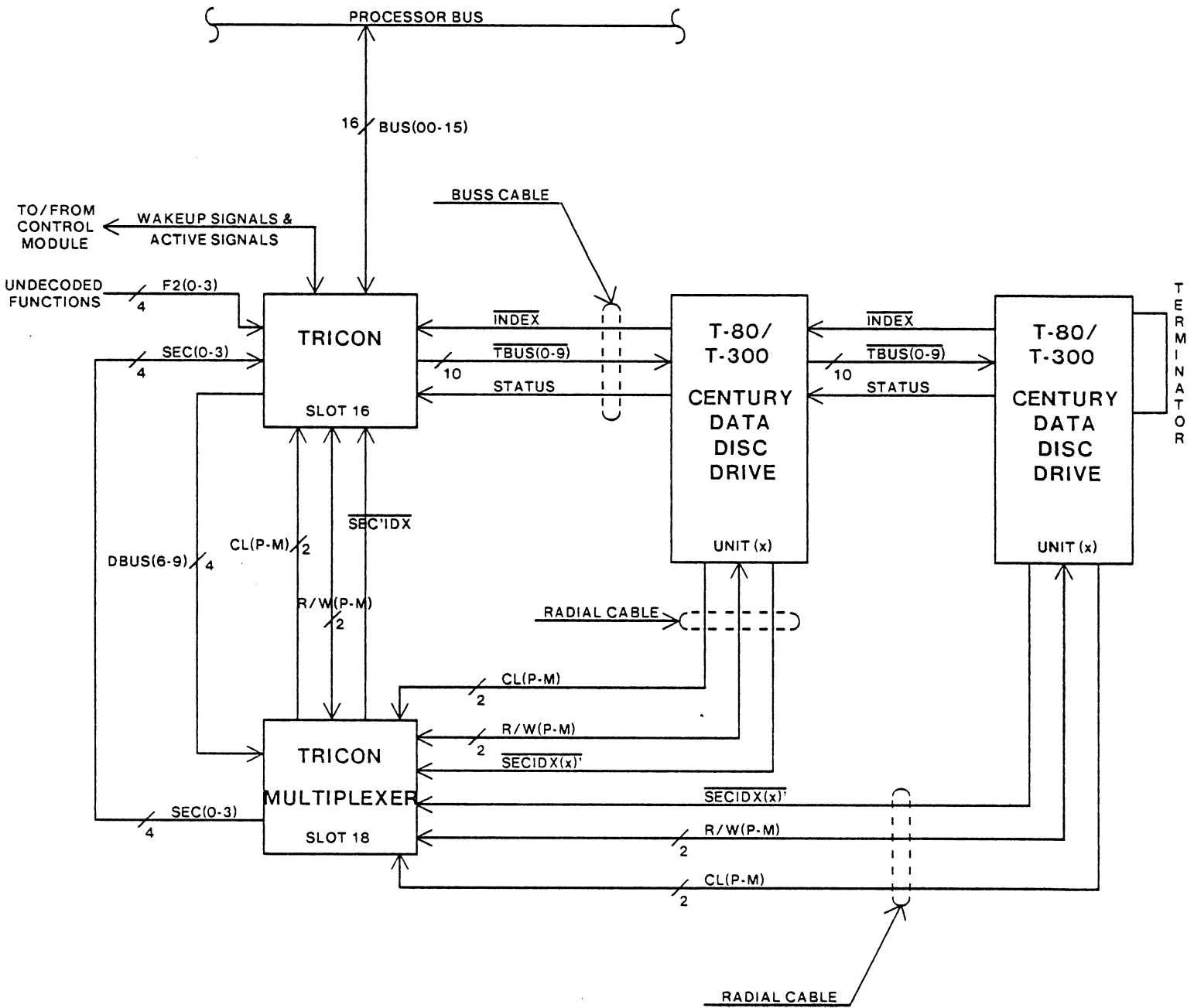
216543

B

XEROX

Sheet 3 of 6

TRICON MODULE & TRICON MULTIPLEXER MODULE BLOCK DIAGRAM

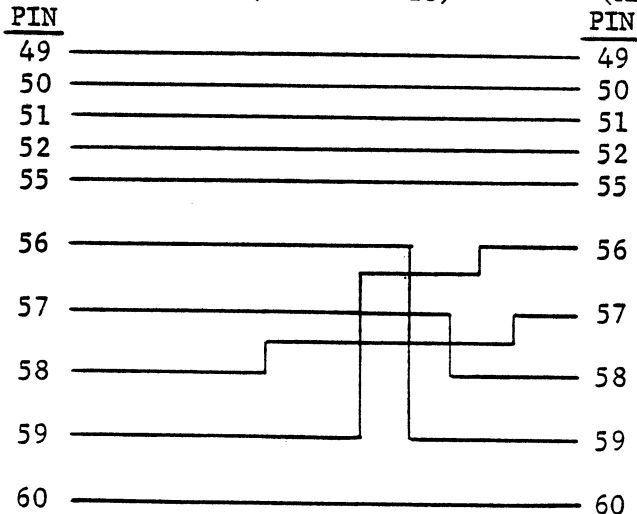


NOTE: (x) = 0 THROUGH 7. 1 SIGNAL LINE PER CIRCUIT OR DISC DRIVE.

NOTES: UNLESS OTHERWISE SPECIFIED

1. ITEMS 1,3,5,13 THRU 20 SUPPLIED AS LOOSE ITEMS, TO BE INSTALLED IN ALTO II PROCESSOR CHASSIS TO INTERFACE WITH CALIFORNIA COMPUTER PRODUCTS INC, ANAHEIM CALIFORNIA MODEL NO. T-80 DISC FILE UNIT. FOR CABLING INSTRUCTIONS SEE FIGURE 1, 2, & 3.
2. TRIDENT DISC INTERFACE MODULE ASSY AND TRIDENT MULTIPLEXER MODULE ASSY ARE SHOWN INSTALLED IN MODULE LOCATIONS 18 AND 20 FOR REFERENCE ONLY. ANY 3 ADJOINING MODULE SLOTS FROM 15 THRU 20 MAY BE UTILIZED. TRIDENT MULTIPLEXER MODULE REQUIRES 2 SLOTS.
3. REMOVE AND RETURN TO STOCK CONNECTOR PLATE P/N 216418 AND REPLACE WITH ITEM 5.
4. ALL EXTERNAL CABLE ASSEMBLIES, ITEM 7, 8, & 9 SHOWN FOR REFERENCE ONLY ARE TO BE ORDERED SEPERATELY.
5. ITEM 9, CABLE ASSY (DAISY CHAIN) MAY BE PURCHASED FROM CALIFORNIA COMPUTER PROD INC, ANAHEIM, CALIFORNIA P/N 17525-006 (6 FT LONG). OTHER LENGTHS AVAILABLE, DESIGNATED BY 3 DIGIT DASH NUMBER, IE -007 = 7 FT LONG, -008 = 8 FT LONG, ETC.
6. THE COMBINED LENGTH OF TRICON BUSSED CABLE TO BE MAXIMUM OF 100 FT.
7. TERMINATOR MODULE, CALIFORNIA COMPUTER PROD INC, ANAHEIM, CALIF, P/N 12421-001, TO BE INSTALLED IN J2 OF THE LAST DISC FILE UNIT ON TRUNK LINE.
8. ALTO II BACKPLANE JUMPER WIRES MUST BE ADDED AS FOLLOWS:

<u>FROM</u> TRIDENT DISC INTFC MODULE (REF SLOT 18)	<u>TO</u> TRIDENT MULTIPLEXER MODULE (REF SLOT 20)
--	---



9. PACKAGE 1 PAIR OF ITEM 22 PER EACH CABLE ASSY (ITEM 3, 13 THRU 20).

These drawings and specifications, and the data contained therein, are the exclusive property of Xerox Corporation and/or Rank Xerox, Ltd. issued in strict confidence and shall not, without the prior written permission of Xerox Corporation or Rank Xerox, Ltd., be reproduced, copied or used for any purpose whatsoever, except the manufacture of articles for Xerox Corporation or Rank Xerox, Ltd.

Title

ASSEMBLY, TRICON MUX
KIT

Xerox Corporation
El Segundo, California

XEROX

216638

D

Sheet 2 Of 5

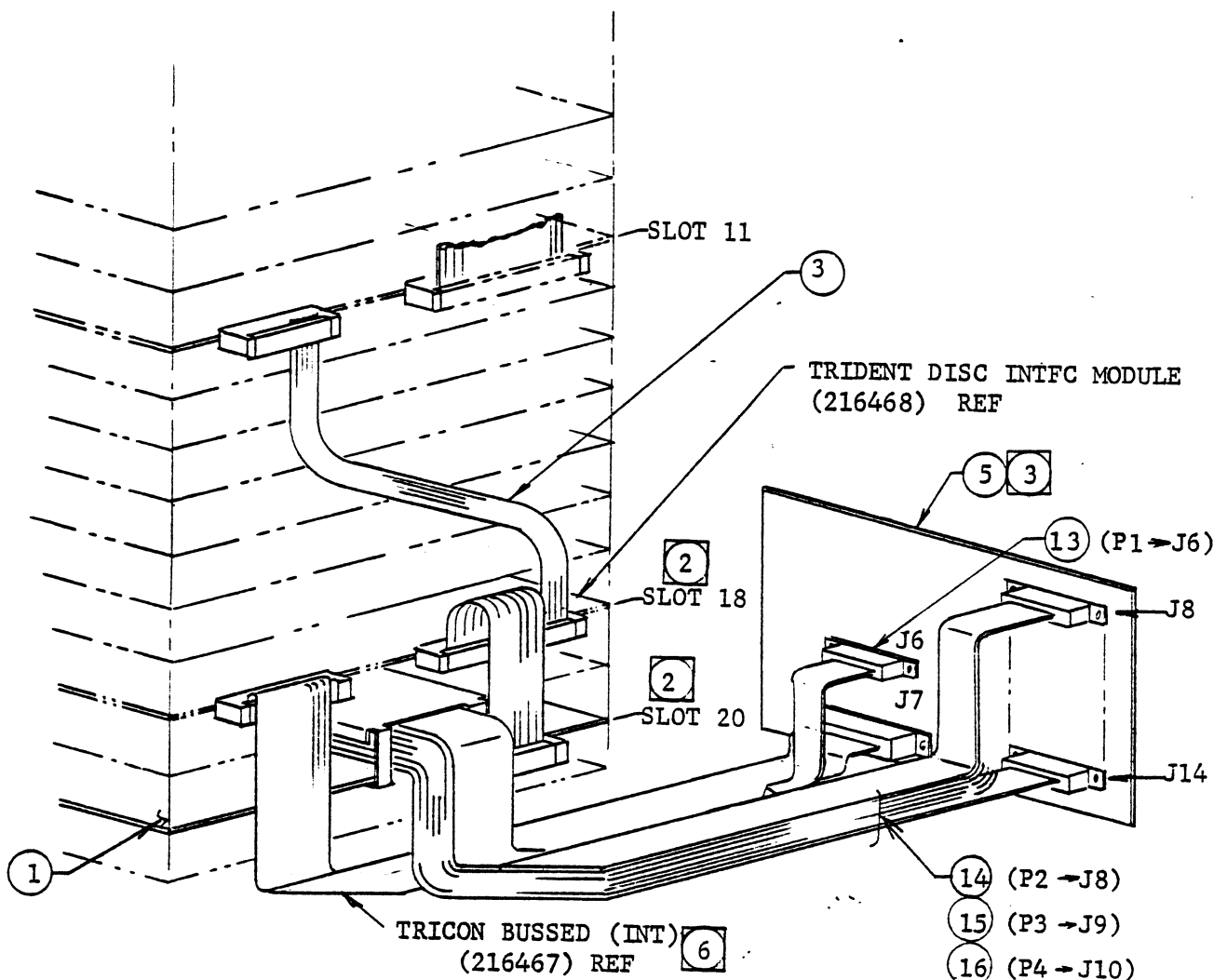


FIGURE 1

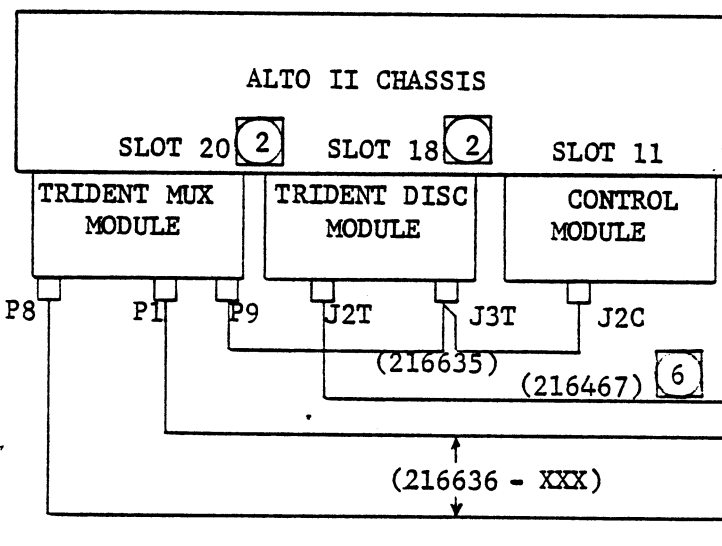


FIGURE 2
CABLING DIAGRAM (INTERNAL)

These drawings and specifications, and the data contained therein, are the exclusive property of Xerox Corporation and/or Rank Xerox, Ltd. issued in strict confidence and shall not, without the prior written permission of Xerox Corporation or Rank Xerox, Ltd., be reproduced, copied or used for any purpose whatsoever, except the manufacture of articles for Xerox Corporation or Rank Xerox, Ltd.

Title
ASSEMBLY, TRICON MUX
KIT

Xerox Corporation
El Segundo, California

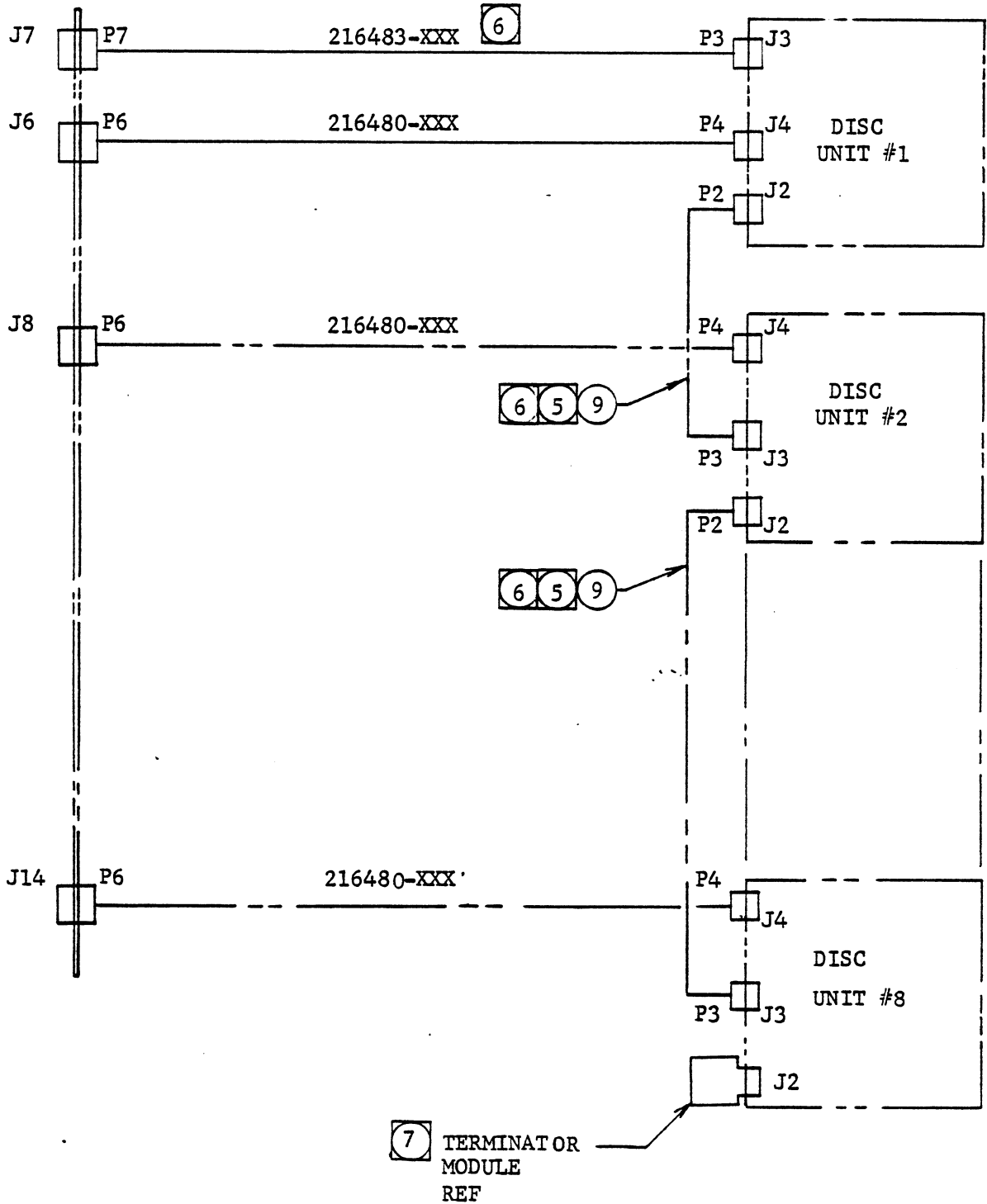
XEROX

216638

D

Sheet 3 of 5

FIGURE 3
CABLING DIAGRAM (EXTERNAL)



These drawings and specifications, and the data contained therein, are the exclusive property of Xerox Corporation and/or Rank Xerox, Ltd. issued in strict confidence and shall not, without the prior written permission of Xerox Corporation or Rank Xerox, Ltd., be reproduced, copied or used for any purpose whatsoever, except the manufacture of articles for Xerox Corporation or Rank Xerox, Ltd.

Title
 ASSY, TRICON MUX
 KIT

Xerox Corporation El Segundo, California		XEROX
216638		
Sheet	4	Of 5
		D

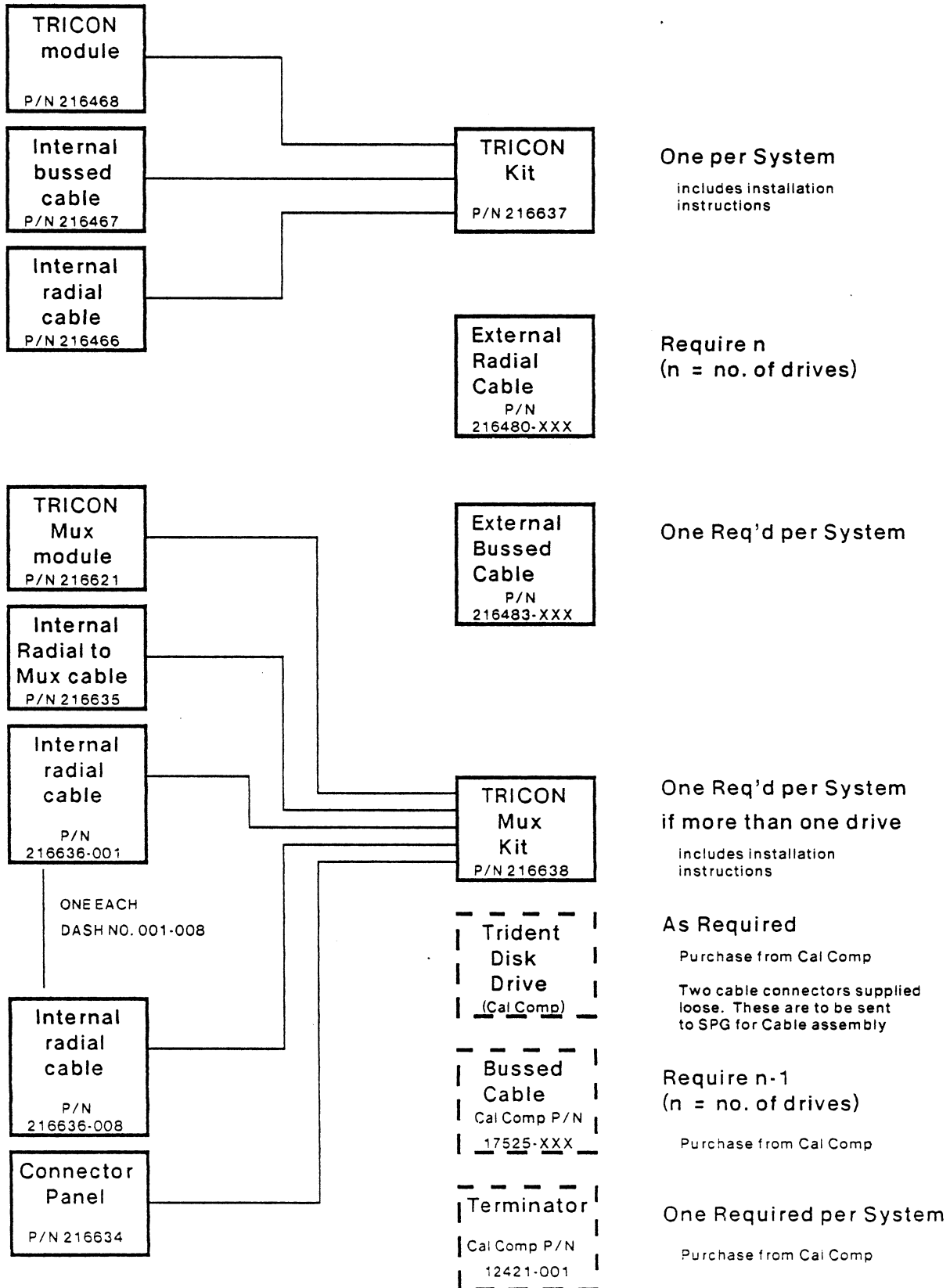
Material List

ML	Drawing No. 216638	Rev. D
-----------	-----------------------	-----------

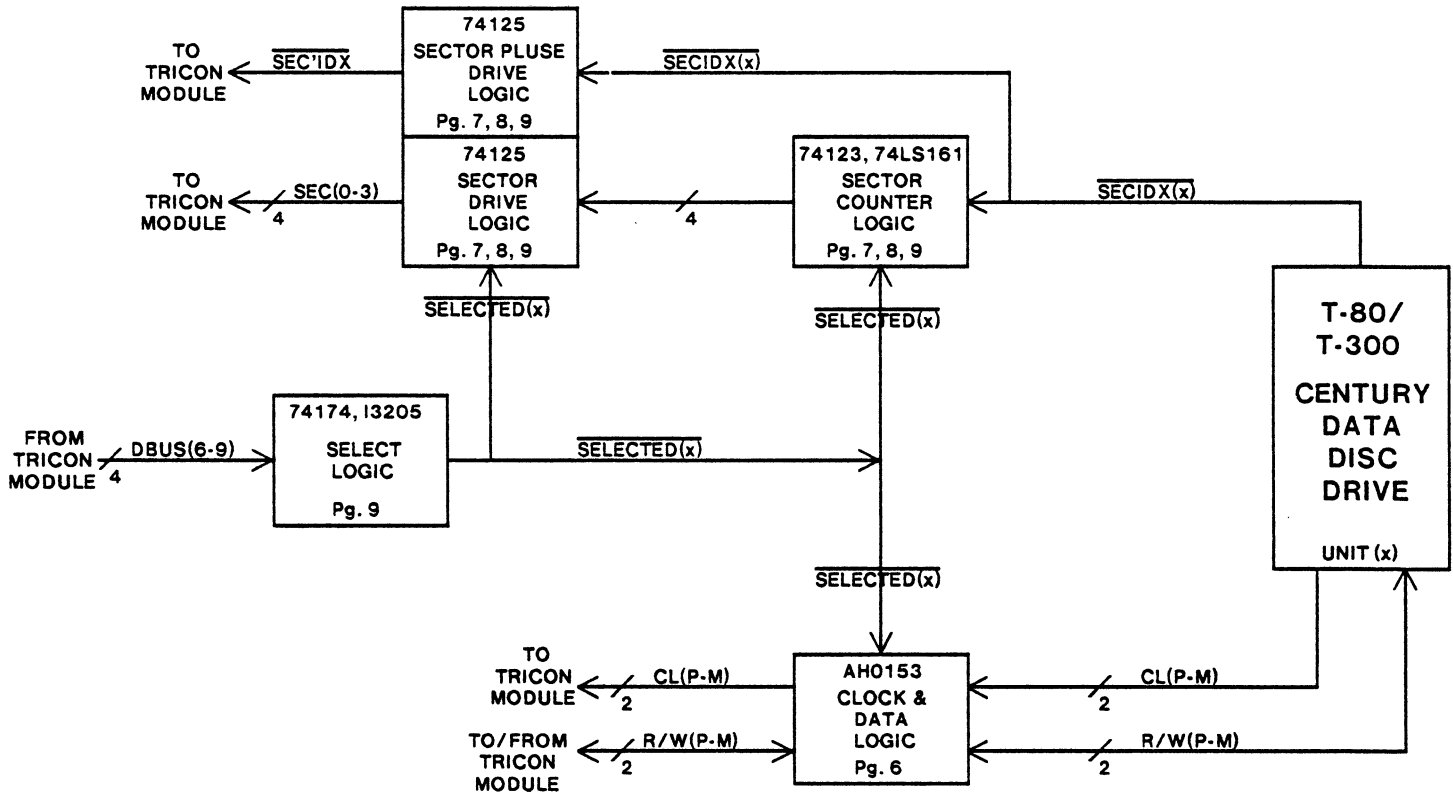
Rev. I	Drawing Title ASSEMBLY, TRICON MUX KIT	These drawings and specifications, and the data contained therein, are the exclusive property of Xerox Corporation and/or Rank Xerox, Ltd. issued in strict confidence and shall not, without the prior written permission of Xerox Corporation or Rank Xerox, Ltd., be reproduced, copied or used for any purpose whatsoever, except the manufacture of articles for Xerox Corporation or Rank Xerox, Ltd.		
		Model No. EWO 390401	Date 5/20/77	Sheet 5 of 5

Item No.	Drawing Title	Drawing No.	No. Req.	Remarks
1	Assy, PW - Trident Multiplexer	216621	1	2
2	Assy, Cable - Trident Mux (Internal)	216636	8	
3	Assy, Cable - Tricon Radial To Mux (Int)	216635	1	9
4				
5	Panel, Connector (Peripheral/Mux)	216634	1	3
6	Assy, Tricon Kit	216637	REF	
7	Assy, Cable- Tricon Radial (Ext)	216480-XXX	REF	4
8	Assy, Cable- Tricon Bussed (Ext)	216483-XXX	REF	6 4
9	Assy, Cable- Bussed (Daisy Chain)		REF	5 4
10	Assy, Trident Disc Calcomp Model T-80		REF	
11	Assy, Terminator		REF	P/N 12421-001 7
12				
13	Assy, Cable - Trident Mux	216636-001	1	(P1 TO J6) 9
14		002	1	(P2 TO J8)
15		003	1	(P3 TO J9)
16		004	1	(P4 TO J10)
17		005	1	(P5 TO J11)
18		006	1	(P6 TO J12)
19		007	1	(P7 TO J13)
20	Assy, Cable - Trident Mux	216636-008	1	(P8 TO J14) 9
21				
22	Sliding Lock Post		1 pr	Cannon #D53018 9

ALTO/TRIDENT DISK SYSTEM CONFIGURATOR



**TRICON MULTIPLEXER MODULE
(ONE OF EIGHT CIRCUITS)**



NOTE: (x) = 0 THROUGH 7, 1 SIGNAL LINE PER CIRCUIT OR DISC DRIVE.

NOTES: UNLESS OTHERWISE SPECIFIED

1. ASSEMBLE PER MODULE ASSEMBLY SPEC, DWG NO. 216207.
2. MAY BE PURCHASED FROM 3M COMPANY, ST PAUL, MINN. VENDOR PART NUMBER.
3. MAY BE PURCHASED FROM PENN ENGINEERING & MANUFACTURING CORP, DOYLESTOWN, PENNA. VENDOR PART NUMBER.
4. MAY BE PURCHASED FROM AUGAT, INC, ATTLEBORO, MASSACHUSETTS. VENDOR PART NUMBER.
5. ITEM 29 (CABLE BRACKET) SUPPLIED AS LOOSE ITEM, INSTALL AT NEXT HIGHER ASSEMBLY.
6. THE FOLLOWING MODIFICATIONS ARE REQUIRED USING "A" REVISION PRINTED WIRING BOARD:

FROM	TO
P1-3	P1-16
P1-10	P1-23
P2-3	P2-16
P2-10	P2-23
P3-3	P3-16
P3-10	P3-23
P4-3	P4-16
P4-10	P4-23
P5-3	P5-16
P5-10	P5-23
P6-3	P6-16
P6-10	P6-23
P7-3	P7-16
P7-10	P7-23
P8-3	P8-16
P8-10	P8-23
A 32-6	A32-8
6A1	12A2
6A2	17A2
6A3	18A9
6A4	17A5
6A5	34A2
6A6	41A2
6A7	41A9
6A9	41A5
27A1	13A1
27A2	8A12
27A3	15A2
27A4	14A9
27A5	26A2
27A6	26A12
27A7	31A9
27A9	44A12

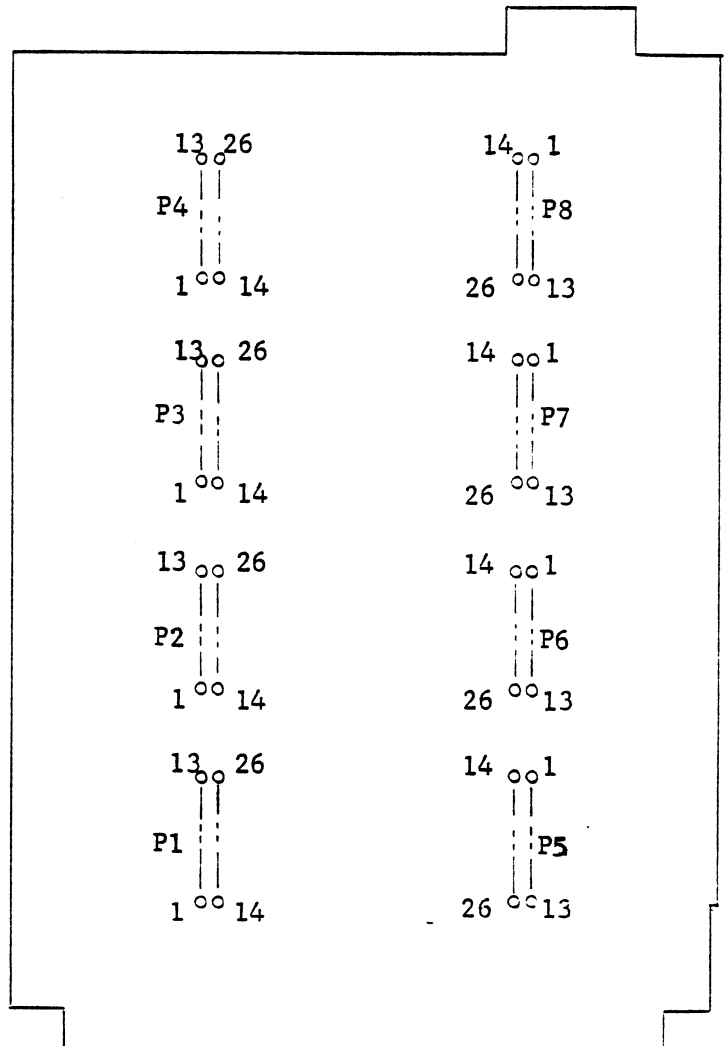


FIGURE I (ETCH SIDE)

These drawings and specifications, and the data contained therein, are the exclusive property of Xerox Corporation and/or Rank Xerox, Ltd. issued in strict confidence and shall not, without the prior written permission of Xerox Corporation or Rank Xerox, Ltd., be reproduced, copied or used for any purpose whatsoever, except the manufacture of articles for Xerox Corporation or Rank Xerox, Ltd.

Title
 ASSY. PRINTED WIRING-
 TRIDENT MULTIPLEXER

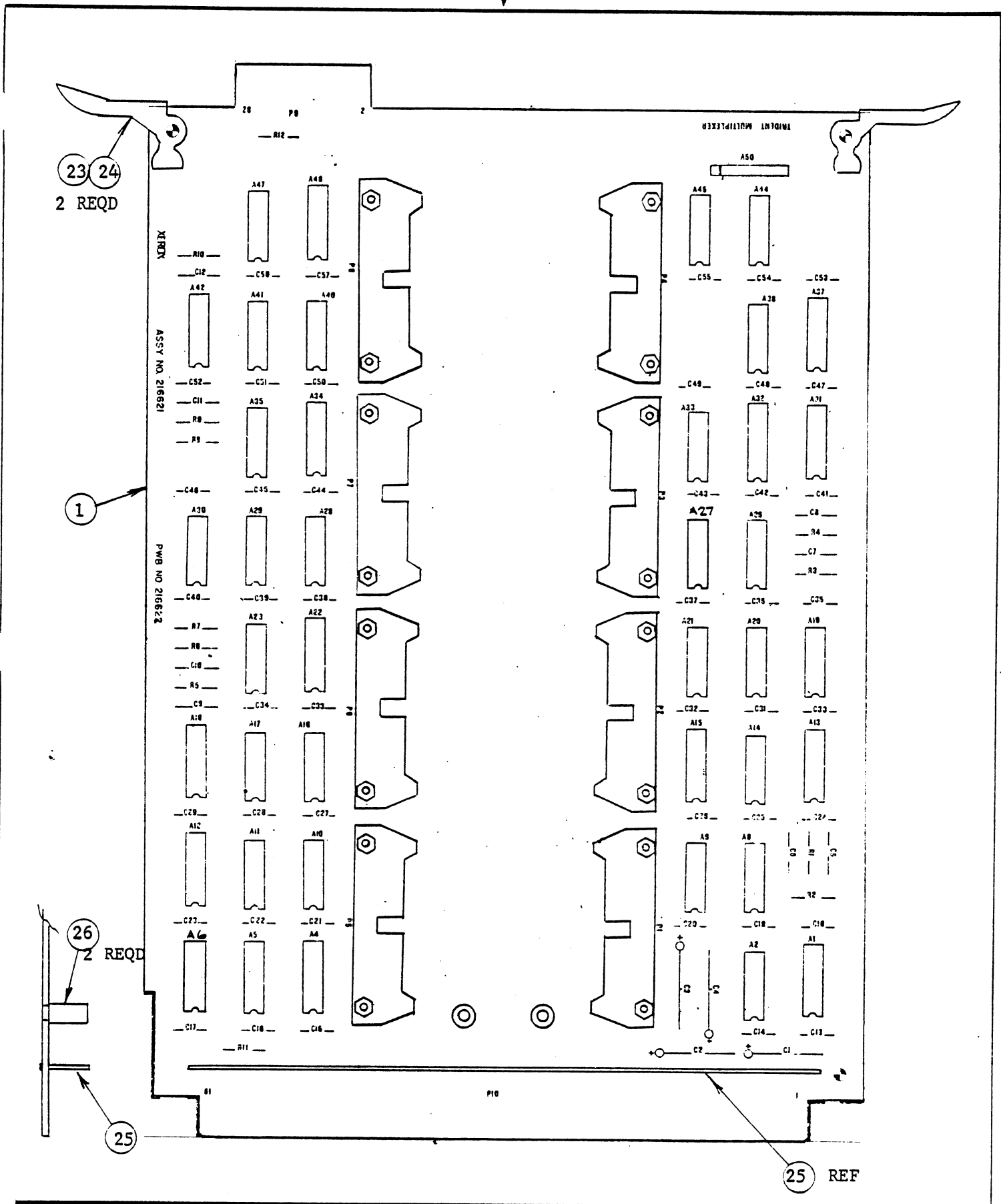
Xerox Corporation
 El Segundo, California

XEROX

216621

H

Sheet 2 Of 9



These drawings and specifications, and the data contained therein, are the exclusive property of Xerox Corporation and/or Rank Xerox, Ltd. issued in strict confidence and shall not, without the prior written permission of Xerox Corporation or Rank Xerox, Ltd., be reproduced, copied or used for any purpose whatsoever, except the manufacture of articles for Xerox Corporation or Rank Xerox, Ltd.

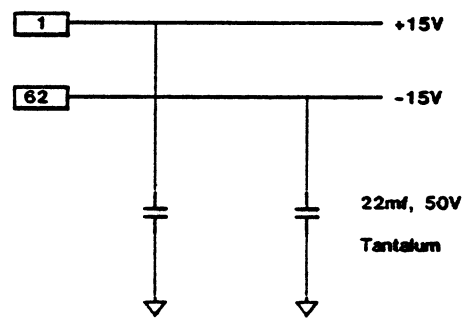
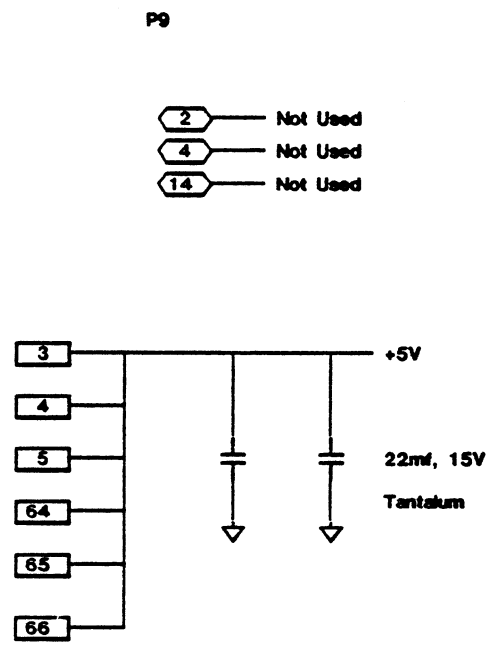
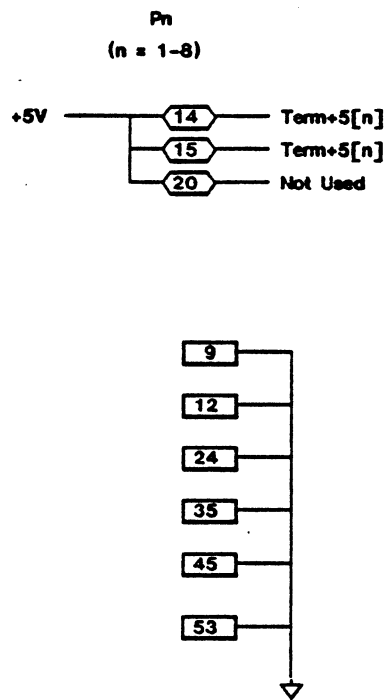
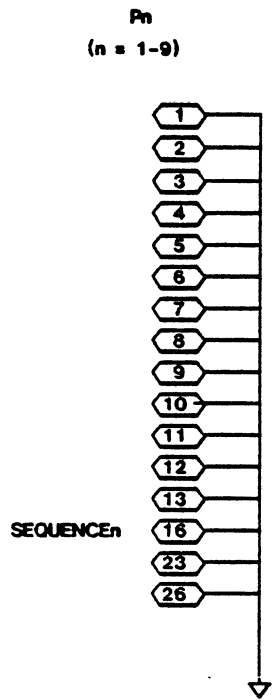
Title
 ASSY, PRINTED WIRING-
 TRIDENT MULTIPLEXER

Xerox Corporation
 El Segundo, California
XEROX
 216621
 H
 Sheet 3 Of 9

Material List

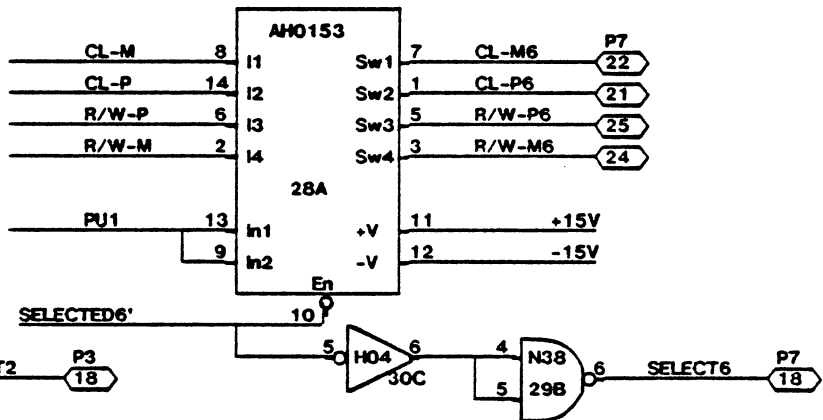
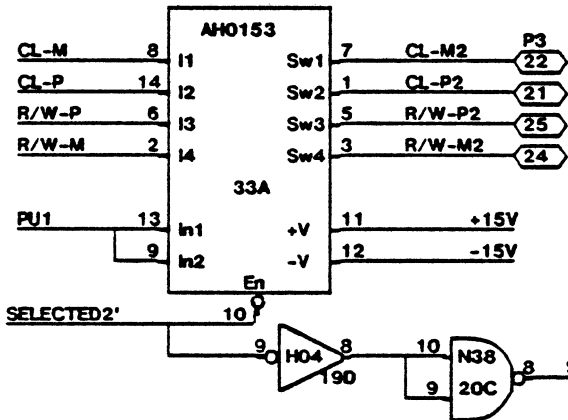
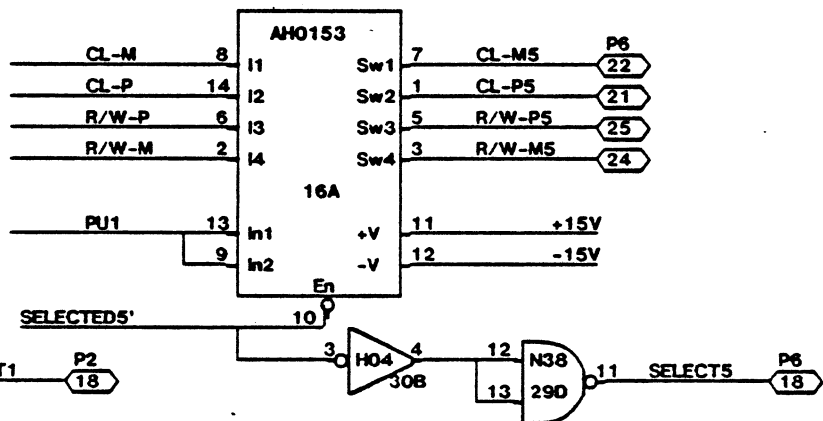
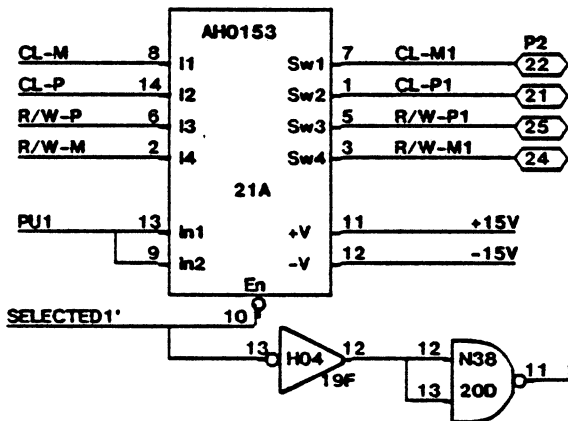
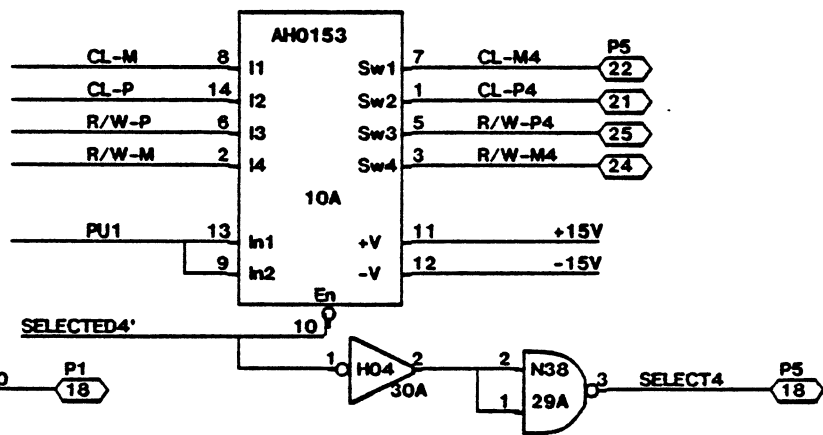
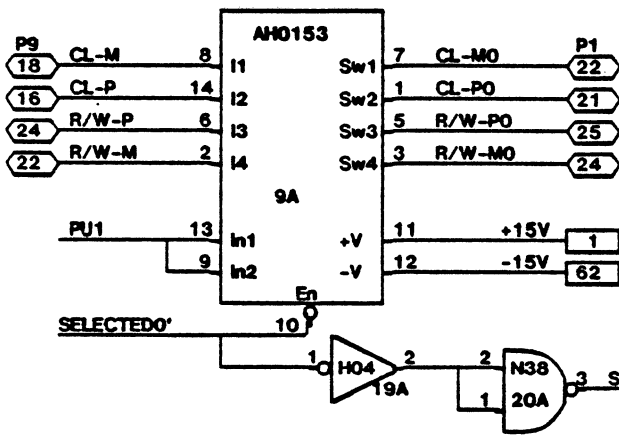
ML	Drawing No. 216621	Rev. H
-----------	-----------------------	-----------

Rev. H	Drawing Title		These drawings and specifications, and the data contained therein, are the exclusive property of Xerox Corporation and/or Rank Xerox, Ltd. issued in strict confidence and shall not, without the prior written permission of Xerox Corporation or Rank Xerox, Ltd., be reproduced, copied or used for any purpose whatsoever, except the manufacture of articles for Xerox Corporation or Rank Xerox, Ltd.		
	ASSEMBLY, PRINTED WIRING- TRIDENT MULTIPLEXER		Model No. ALTO II	Date 5/5/77	Sheet 4 of 9
Drawing No. 216621	Item No.	Drawing Title	Drawing No.	No. Req.	Remarks
	1	BOARD, P.W.	216622	1	
ML	2				
	3				
	4	MICROCIRCUIT, 74LS161		8	A1, 12, 15, 22, 32, 34, 37, 46
	5	N123		4	A13, 18, 31, 42
	6	N125		12	A2, 8, 11, 14, 17, 23, 26, 35, 38, 41, 44, 47
	7	N174		1	A4
	8	I3205		1	A5
	9	AH0153		8	A9, 10, 16, 21, 28, 33, 40, 45
	10	N38		2	A20, 29
	11	MICROCIRCUIT, H04		2	A19, 30
	12				
	13	CAPACITOR, 22 μ F, 15V	187720-005	2	C1, C2
	14	CAPACITOR, 18 μ F, 50V	123300-186	2	C3, C4
	15	CAPACITOR, 330 Pf	191175-031	8	C5, 6, 7, 8, 9, 10, 11, 12
	16	CAPACITOR, .01 μ F, 50V	188483-001	45	C13 THRU C57
	17	RESISTOR, NETWORK 220 Ω /330 Ω (CTS# 761-5-220/330 Ω)		2	A6, A27
	18	RESISTOR, FILM, 27K \pm 5%, 1/4W	116447-273	9	R1 THRU R6, R9, 10, 11
	19	RESISTOR, FILM, 1K \pm 5%, 1/4W	116447-102	2	R7, R8
	20	RESISTOR, NETWORK, 1K	188600-007	1	A50
	21	RESISTOR, FILM, 2.2K \pm 5%, 1/4W	116447-222	1	R12
	22	HEADER (26Pos) 3M# 3429-1002		8	P1-P8 (2)
	23	Extractor	216250	2	
	24	Rivet	156111-005	2	
	25	Stiffener	216242	1	
	26	Standoff, Threaded, PEM #KFE-632-16		2	(3)
	27	Socket, 14 Pin Augat #514-AG11D		24	(4)
	28	Socket, 16 Pin Augat #516-AG11D		16	(4)
	29	Bracket, Cable - Trident Mux	216628	1	(5)

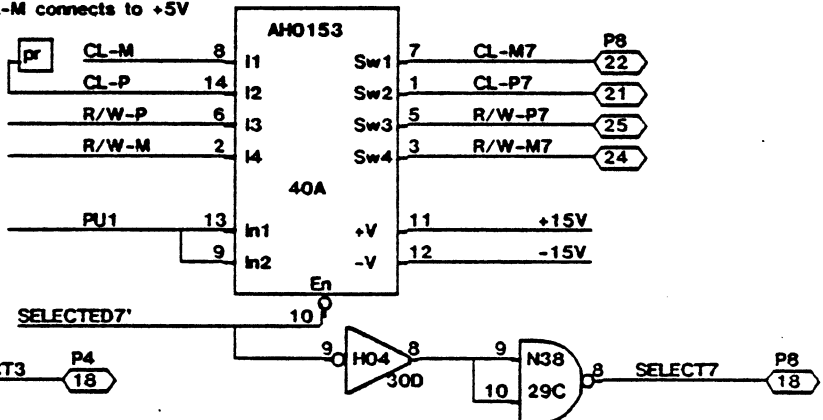
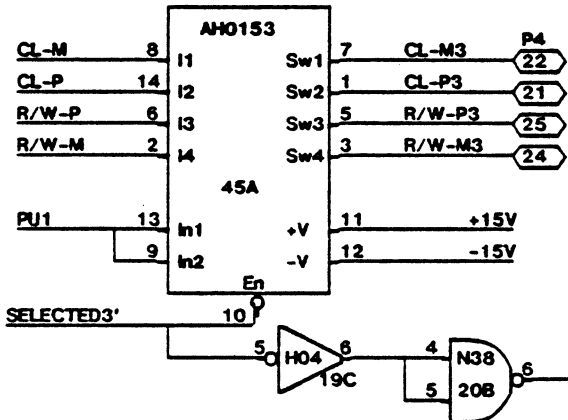


THESE PRINTS ARE FOR REV.'B' ARTWORKS ONLY.

			ASSEMBLY, P.W.-TRICON MULTIPLEXER				Drawing Number 216621	
XEROX SPG	Project TRIMUX	EXTERNAL CONNECTORS & VOLTAGE CONNECTIONS	File TRIMUX.SIL05B	Designer Ron Freeman	Rev H	Date 1/16/78	Page 5	



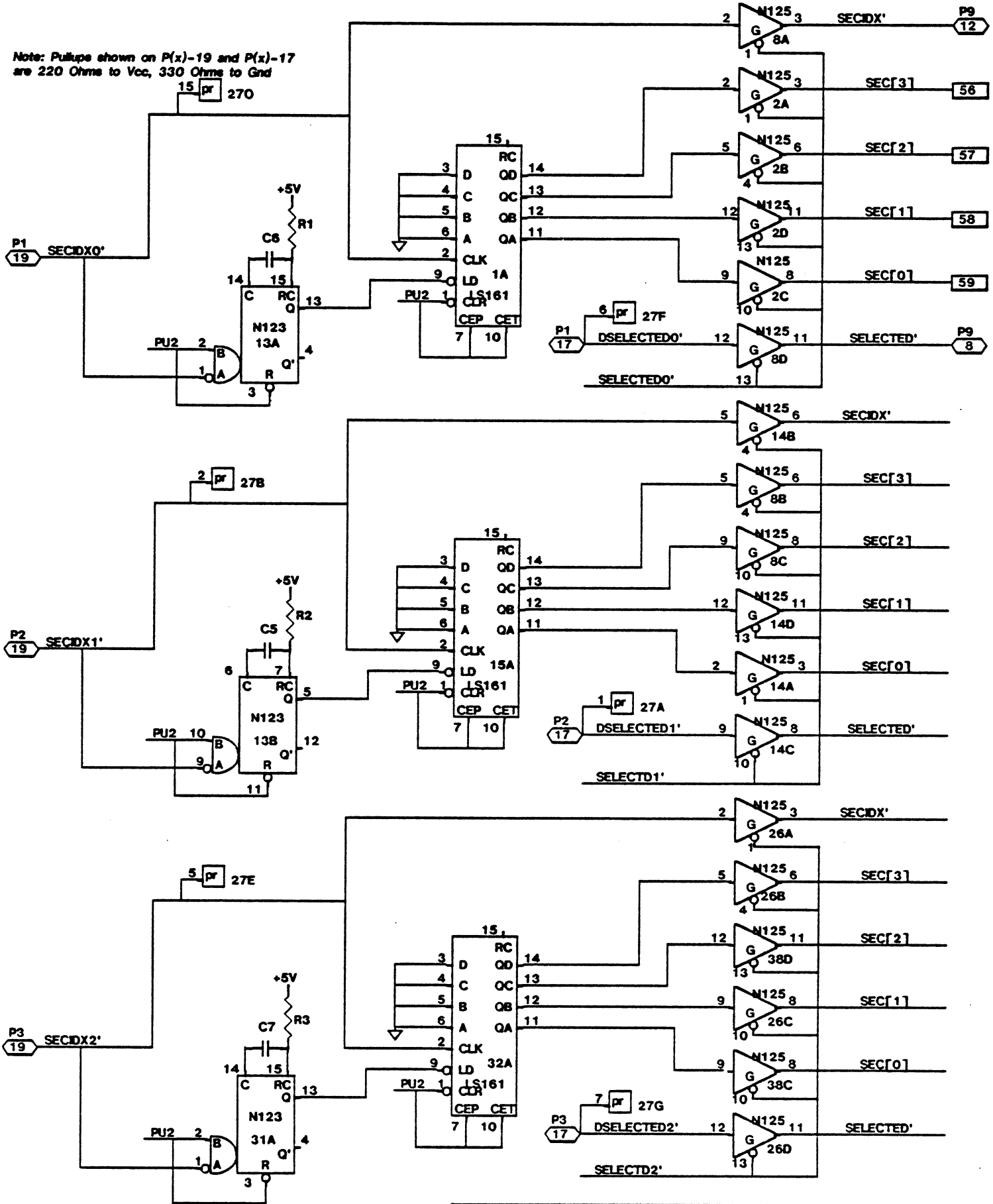
Note : 2.2K Ohm resistor on CL-M connects to +5V



THESE PRINTS ARE FOR REV. "B" ARTWORKS ONLY

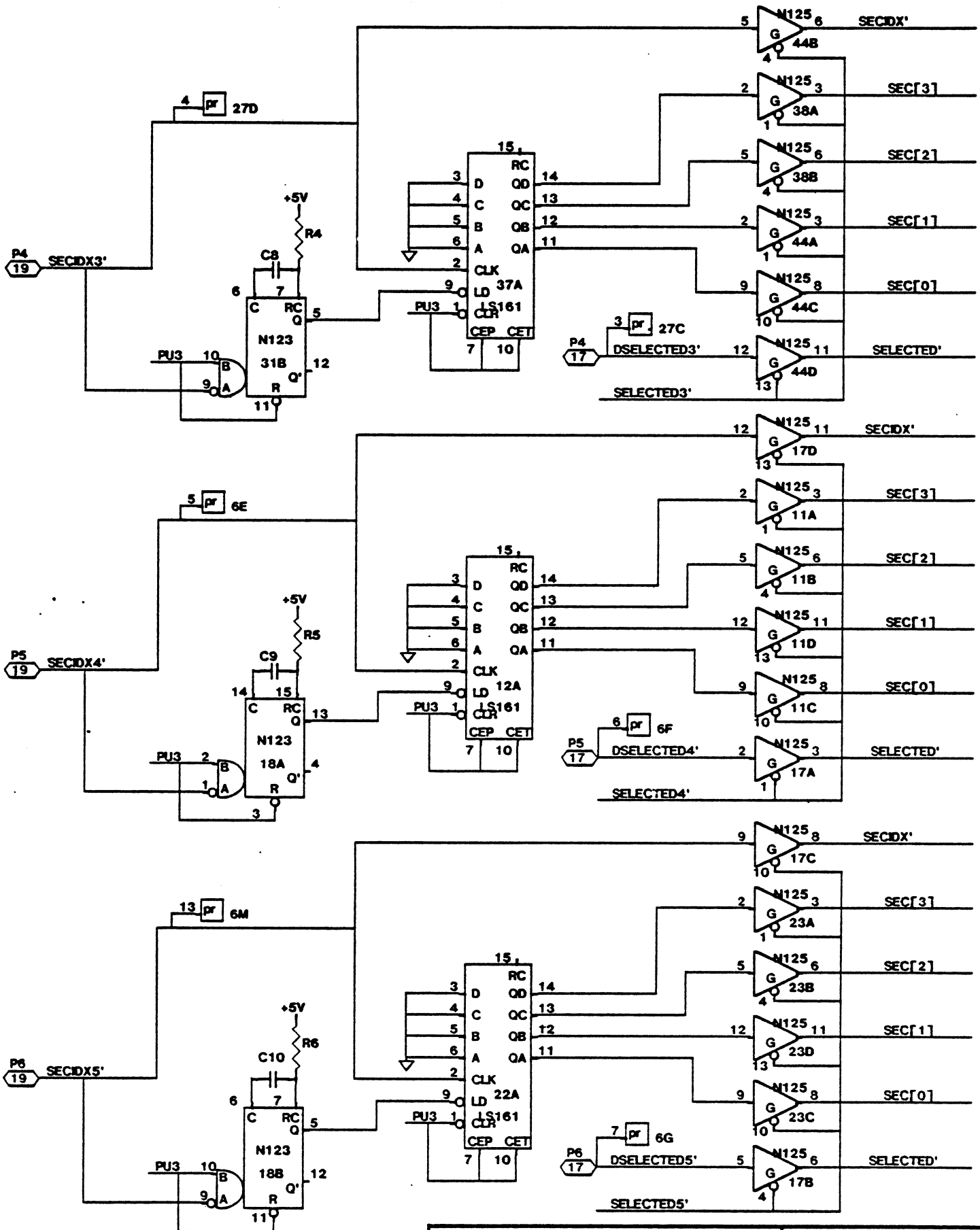
ASSEMBLY, P.W. - TRICON MULTIPLEXER				Drawing Number 216621	
XEROX SPG	Project TRIMUX	CLOCK AND DATA SWITCHES	File TRIMUX.SIL06B	Designer Ron Freeman	Rev H
				Date 1/16/78	Page 6

Note: Pullups shown on P(x)-19 and P(x)-17 are 220 Ohms to Vcc, 330 Ohms to Gnd



THESE PRINTS ARE FOR REV. "B" ARTWORKS ONLY

ASSEMBLY, P.W. - TRICON MULTIPLEXER				Drawing Number 216621		
XEROX SPG	Project TRIMUX	SECTOR COUNTERS	File TRIMUX.SIL07B	Designer Ron Freeman	Rev H	Date 1/16/78
					Page 7	

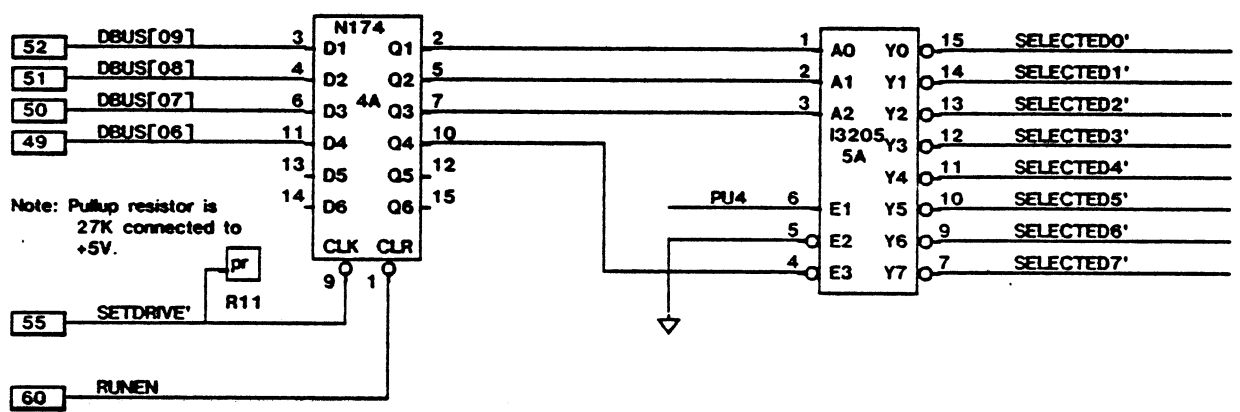
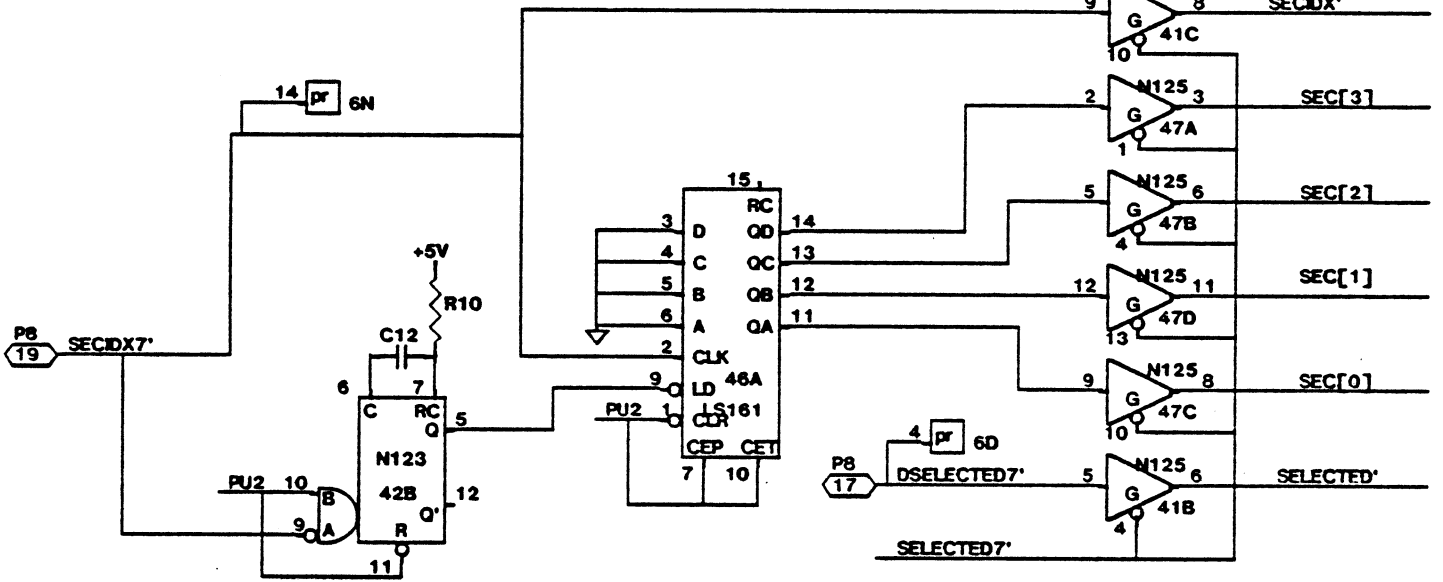
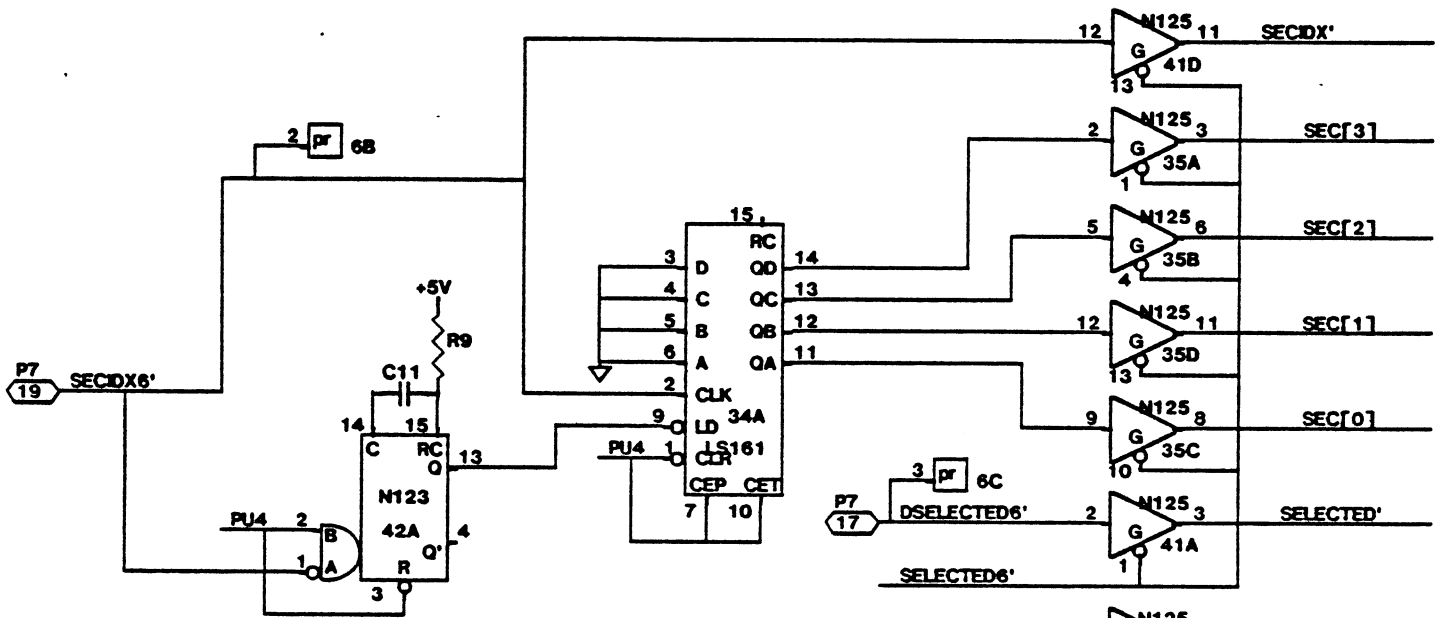


THESE PRINTS ARE FOR REV."B" ARTWORKS ONLY

ASSEMBLY, P.W. - TRICON
MULTIPLEXER

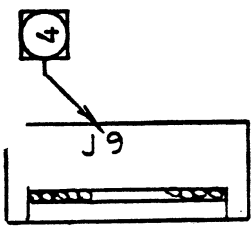
Drawing Number
216621

XEROX SPG	Project TRIMUX	SECTOR COUNTERS	File TRIMUX.SILO8B	Designer Ron Freeman	Rev H	Date 1/16/78	Page 8
--------------	-------------------	-----------------	-----------------------	-------------------------	----------	-----------------	-----------

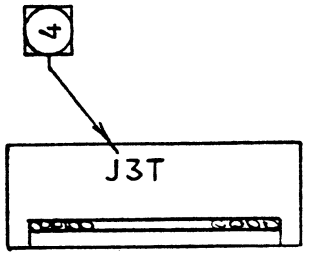


THESE PRINTS ARE FOR REV."B" ARTWORKS ONLY

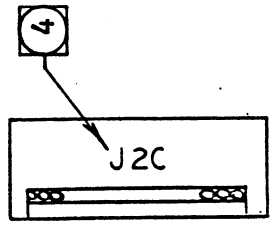
ASSEMBLY, P.W. - TRICON MULTIPLEXER				Drawing Number 216621	
XEROX SPG	Project TRIMUX	SECTOR COUNTERS	File TRIMUX.SIL09B	Designer Ron Freeman	Rev H
				Date 1/16/78	Page 9



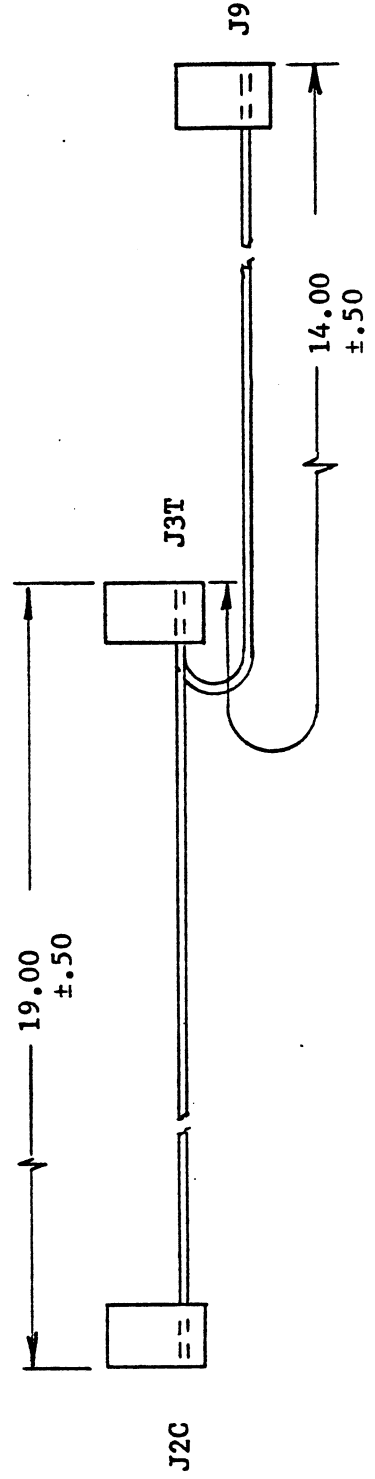
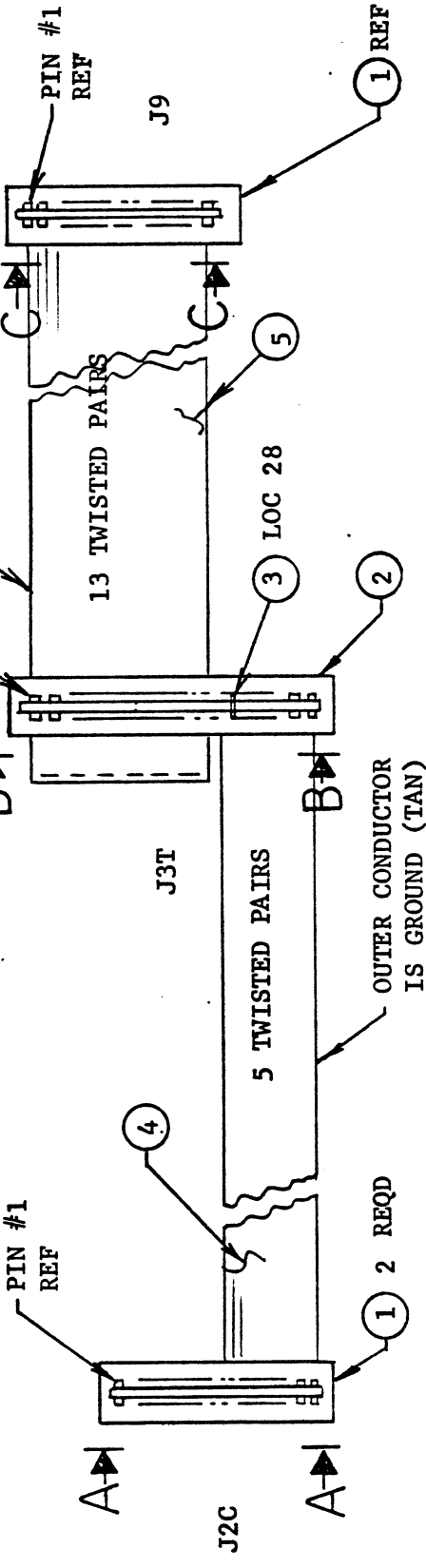
VIEW C - C



VIEW B - B



VIEW A - A



These drawings and specifications, and the data contained therein, are the exclusive property of Xerox Corporation and/or Rank Xerox, Ltd. issued in strict confidence and shall not, without the prior written permission of Xerox Corporation or Rank Xerox, Ltd., be reproduced, copied or used for any purpose whatsoever, except the manufacture of articles for Xerox Corporation or Rank Xerox, Ltd.

Title

ASSEMBLY, CABLE - TRICON RADIAL TO MUX (INT)

Xerox Corporation
El Segundo, California

XEROX

216635

B

Sheet

3

Of

6

Wire No.	Term	From	To	Term	Wire No.	Notes	Signal	Chg. Let.
1		J3T - 1	J9 - 1		5		GND	
2		2	2				TERM+5	
3		3	3				GND	
4		4	4				TERM+5	
5		5	5				GND	
6		6	6				SEQUENCE	
7		7	7				GND	
8		8	8				SELECTED	
9		9	9				GND	
10		10	10				SELECT	
11		11	11				GND	
12		12	12				SEC'IDX	
13		13	13				GND	
14		14	14				N.C.	
15		15	15				GND	
16		16	16				CL- P	
17		17	17				GND	
18		18	18				CL- M	
19		19	19				GND	
20		20	20				GND	
21		21	21				GND	
22		22	22				R/W-M	
23		23	23				GND	
24		24	24				R/W-P	
25		25	25				GND	
26		J3T - 26	J9 - 26		5		GND	

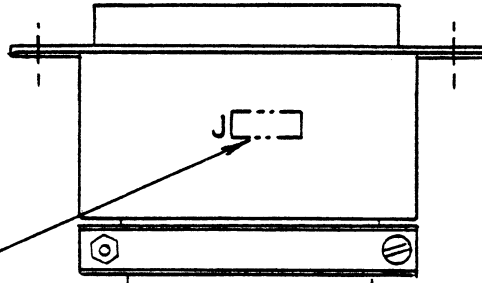
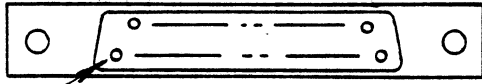
These drawings and specifications, and the data contained therein, are the exclusive property of Xerox Corporation and/or Rank Xerox, Ltd. issued in strict confidence and shall not, without the prior written permission of Xerox Corporation or Rank Xerox, Ltd., be reproduced, copied or used for any purpose whatsoever, except the manufacture of articles for Xerox Corporation or Rank Xerox, Ltd.	Title ASSEMBLY, CABLE - TRICON RADIAL TO MUX (INT)	XEROX Xerox Corporation El Segundo, California
	1. Ref Item No's in Applicable Material List. 2. Ref Designations Are Abbreviated. Prefix Each Designation With:	

Wire No.	Term	From	To	Term	Wire No.	Notes	Signal	Chg. Let.
27		J3T - 30	J2C - 17		4		GND	
28		31	18				GND	
29		32	19				<u>WAKER</u>	
30		33	20				GND	
31		34	21				<u>RTSKACT</u>	
32		35	22				GND	
33		36	23				<u>WAKAW</u>	
34		37	24				GND	
35		38	25				<u>WTSKACT</u>	
36		J3T - 39	J2C - 26		4		GND	

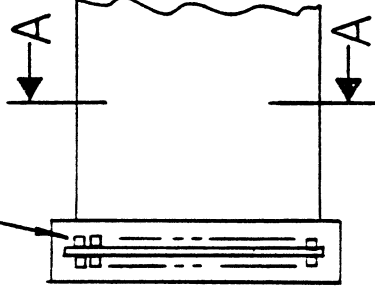
<p>These drawings and specifications, and the data contained therein, are the exclusive property of Xerox Corporation and/or Rank Xerox, Ltd. issued in strict confidence and shall not, without the prior written permission of Xerox Corporation or Rank Xerox, Ltd., be reproduced, copied or used for any purpose whatsoever, except the manufacture of articles for Xerox Corporation or Rank Xerox, Ltd.</p>	<p>1. Ref Item No's in Applicable Material List. 2. Ref Designations Are Abbreviated. Prefix Each Designation With:</p>	<p>Title</p> <p>ASSEMBLY, CABLE -</p> <p>TRICON RADIAL TO MUX (INT)</p>	<p>Xerox Corporation El Segundo, California</p> <p>216635</p> <p>6 Of 6</p> <p>XEROX</p> <p>B</p>
--	---	---	--

PIN #1
REF

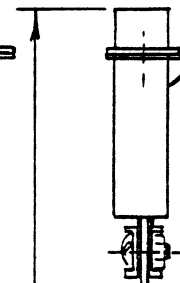
PIN #1
REF



6



"L"



1

4

2 3

A-A



5

These drawings and specifications, and the data contained therein, are the exclusive property of Xerox Corporation and/or Rank Xerox, Ltd. issued in strict confidence and shall not, without the prior written permission of Xerox Corporation or Rank Xerox, Ltd., be reproduced, copied or used for any purpose whatsoever, except the manufacture of articles for Xerox Corporation or Rank Xerox, Ltd.

Title

ASSEMBLY, CABLE - TRIDENT MUX (INT)

Xerox Corporation
El Segundo, California

XEROX

216636

D

Sheet 3 of 6

TABULATION CHART

XEROX PART NO.	LENGTH "L"	"J" DESIGNATION	"P" DESIGNATION
216636 - 001	56.5 ±.50 IN.	6 J6 (MUX 0)	5 P1
216636 - 002	53.5 ±.50 IN.	J8 (MUX 1)	P2
216636 - 003	51.0 ±.50 IN.	J9 (MUX 2)	P3
216636 - 004	48.0 ±.50 IN.	J10 (MUX 3)	P4
216636 - 005	54.0 ±.50 IN.	J11 (MUX 4)	P5
216636 - 006	51.0 ±.50 IN.	J12 (MUX 5)	P6
216636 - 007	48.0 ±.50 IN.	J13 (MUX 6)	P7
216636 - 008	45.0 ±.50 IN.	6 J14 (MUX 7)	5 P8

These drawings and specifications, and the data contained therein, are the exclusive property of Xerox Corporation and/or Rank Xerox, Ltd. issued in strict confidence and shall not, without the prior written permission of Xerox Corporation or Rank Xerox, Ltd., be reproduced, copied or used for any purpose whatsoever, except the manufacture of articles for Xerox Corporation or Rank Xerox, Ltd.

Title

ASSEMBLY, CABLE - TRIDENT MUX (INT)

Xerox Corporation
El Segundo, California

XEROX

216636

D

Sheet

4 Of 6

Wire No.	Term	From	To	Term	Wire Type	Notes	Signal	Chg. Let.
1		P (X) - 1	J (X) - 13		4		GND	
2		2	12				GND	
3		3	11				GND	
4		4	10				GND	
5		5	9				GND	
6		6	8				GND	
7		7	7				GND	
8		8	19				GND	
9		9	18				GND	
10		10	17				GND	
11		11	16				GND	
12		12	15				GND	
13		13	14				GND	
14		14	25				TERM-5n	
15		15	24				TERM-5n	
16		16	23				SEQUENCEn (GND)	
17		17	22				-DSELECTEDn	
18		18	21				SELECTn	
19		19	20				SEC' IDXn	
20		20	-				NO CONNECTION	
21		21	6				CL- Pn	
22		22	5				CL- Mn	
23		23	4				GND	
24		24	3				R/W-Mn	
25		25	2				R/W-Pn	
26		P (X) - 26	J (X) - 1		4		GND	

These drawings and specifications, and the data contained therein, are the exclusive property of Xerox Corporation and/or Rank Xerox, Ltd. issued in strict confidence and shall not, without the prior written permission of Xerox Corporation or Rank Xerox, Ltd., be reproduced, copied or used for any purpose whatsoever, except the manufacture of articles for Xerox Corporation or Rank Xerox, Ltd.

1. Ref Item No's in Applicable Material List.
2. Ref Designations Are Abbreviated. Prefix Each Designation With:

Title
**ASSEMBLY, CABLE-
TRIDENT MUX (INT)**

Xerox Corporation
El Segundo, California

216636

D

Sheet 6 Of 6

XEROX